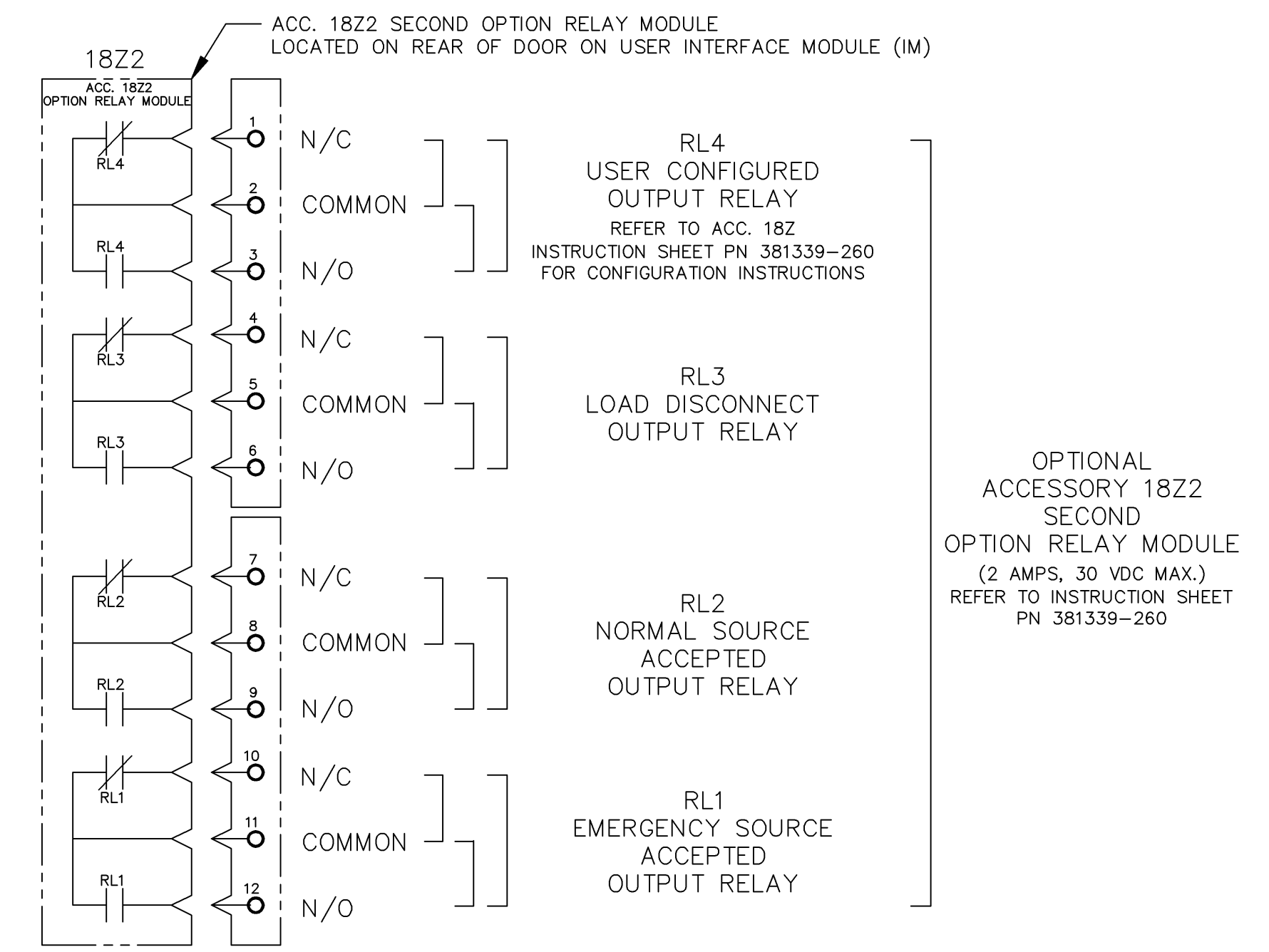
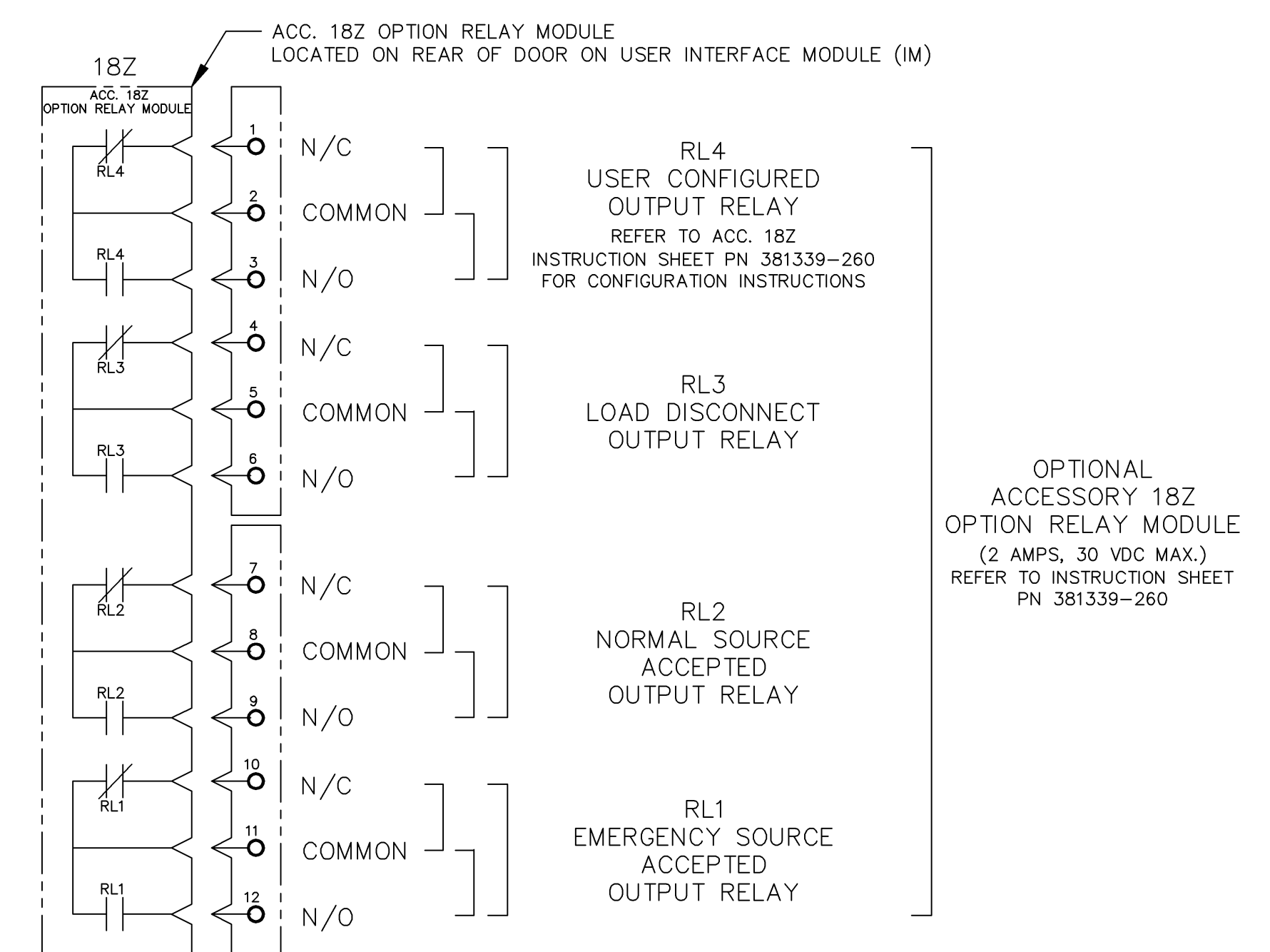
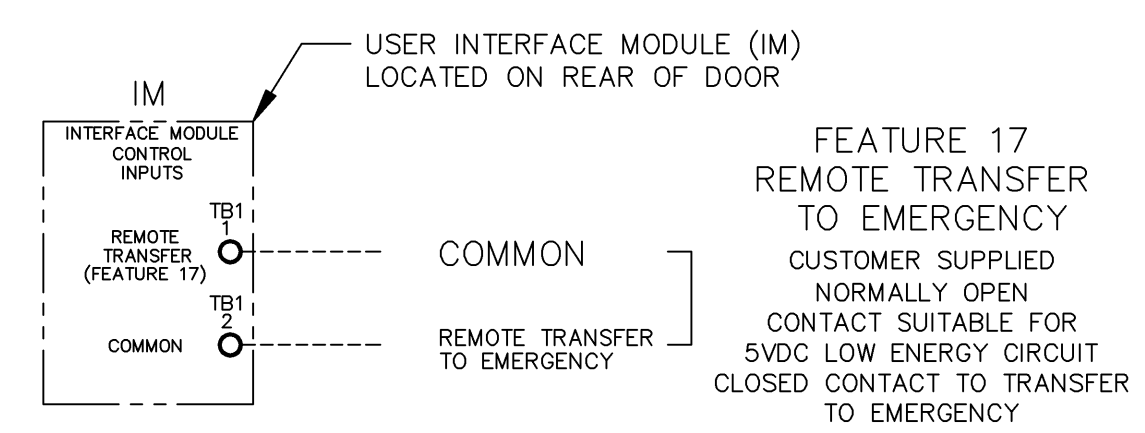
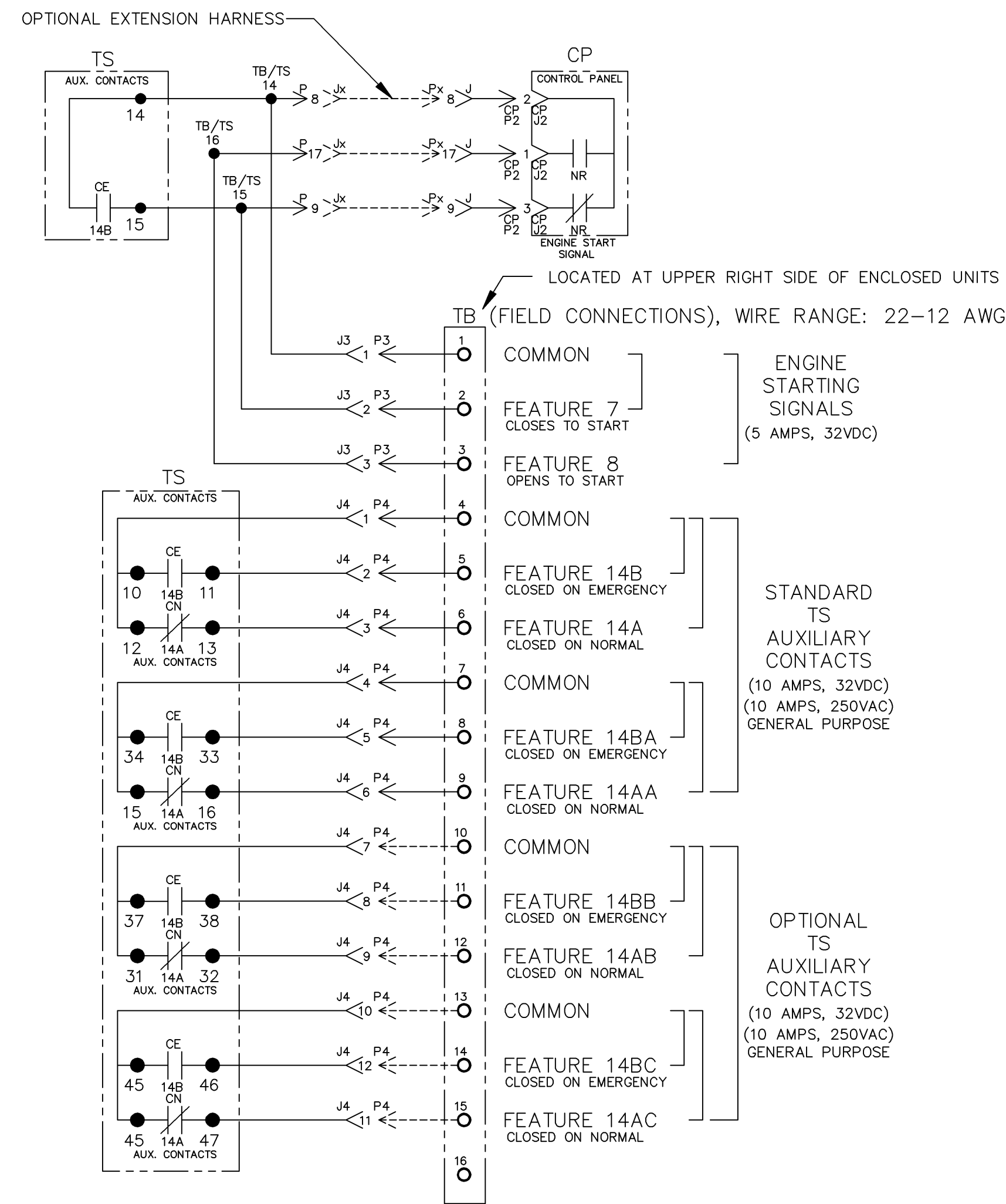


FIELD CONNECTIONS



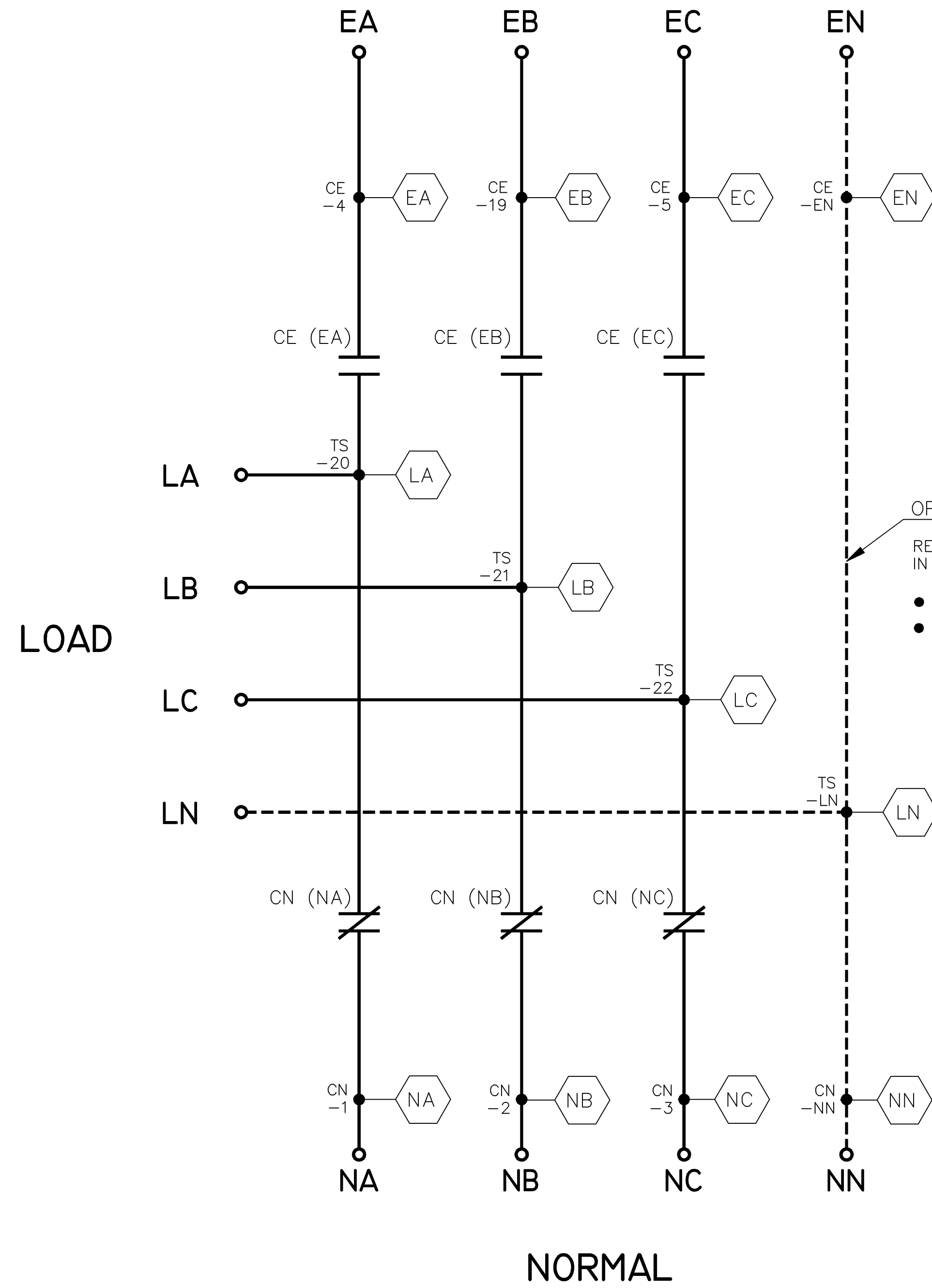
PROJECT NAME:		206319 JPB JPB 10/21/05	
ISSUE		CHANGE LETTER	EGN NO. BY APP. DATE
WIRING DIAGRAM		SUBSIDIARY DISTRIBUTION	
4000 SERIES (E4ADTS/E4NDTS)		AE	<input type="checkbox"/> AN <input type="checkbox"/> AM <input type="checkbox"/> AJ <input type="checkbox"/> AL <input type="checkbox"/>
GROUP 5 CONTROLS		CH	<input type="checkbox"/> AV <input type="checkbox"/> AA <input type="checkbox"/> PS <input type="checkbox"/> AR <input type="checkbox"/>
		AG	<input type="checkbox"/> AP <input type="checkbox"/> AC <input type="checkbox"/> AS <input type="checkbox"/>
DRAWN BY: JPB DATE: 10/21/05		COMPUTER GENERATED DRAWING	
CHECKED: []		SCALE: 1:1 ACAD FILE	
DRAFTING APPROVAL: []		SIZE: DWG. NO. DS766506	
FINAL APPROVAL: JPB 10/21/05		ASCO POWER TECHNOLOGIES, L.P. FLORHAM PARK, NEW JERSEY 07932 U.S.A.	
		CHANGE LETTER	EGN 206319 SHEET 2 OF 6

MAIN POWER POLES

TS OPERATOR CIRCUIT

EMERGENCY

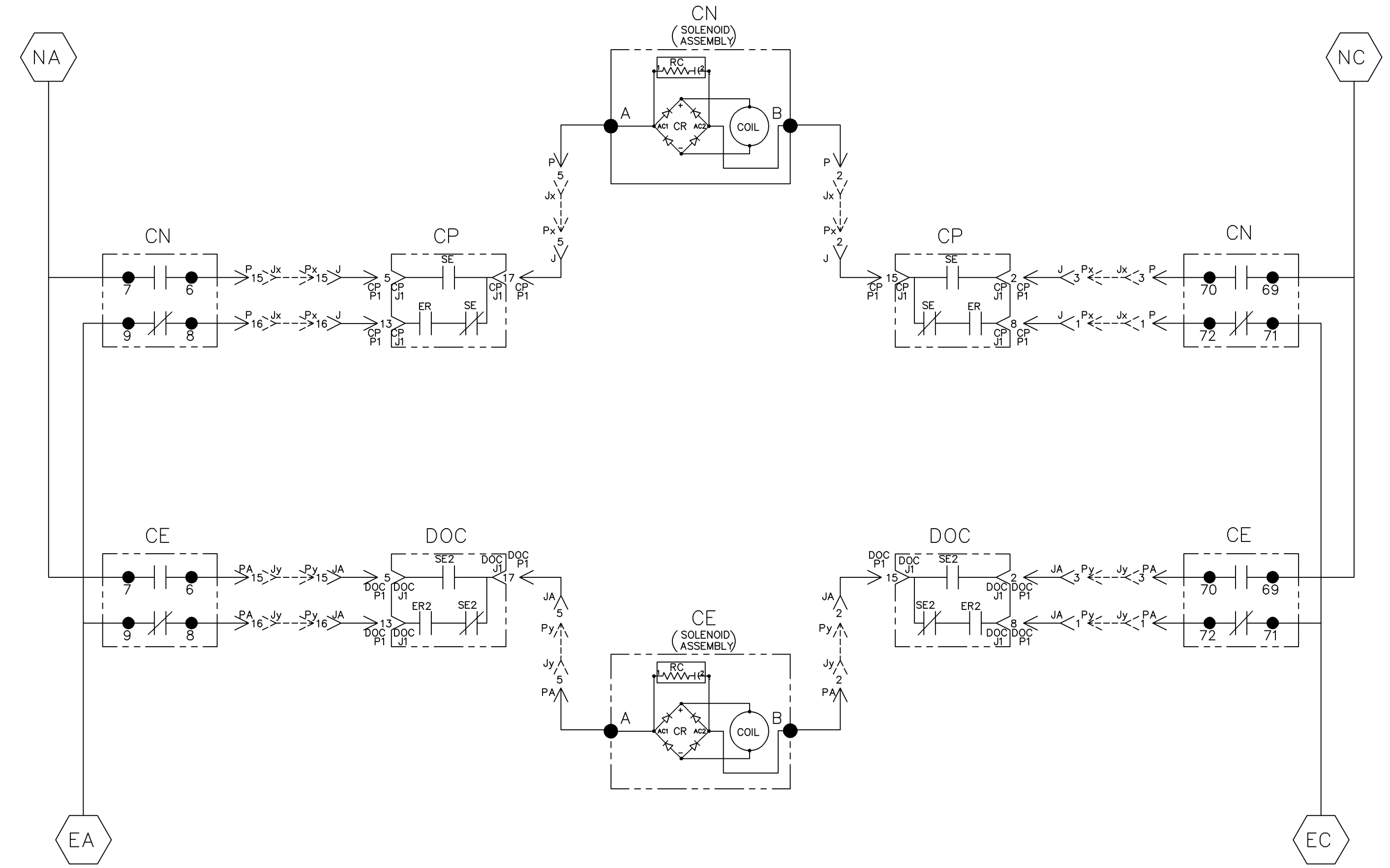
NORMAL



OPTIONAL NEUTRAL TYPES
 REFER TO "EXPLANATION OF CATALOG NUMBER CODES"
 IN CATALOG NUMBER CHART ON SHEET 1.

- NONE
- SOLID BUS PLATE
 SOLID BUS IS NOT AVAILABLE
 ON OPEN TYPE UNITS

NOTE:
 ATS SHOWN CLOSED ON
 NORMAL SOURCE.



EMERGENCY

MUS	SOLENOID POSITION			
	CLOSED BEFORE NORMAL	BEFORE TDC	BEFORE TDC	OPEN
7-6				
69-70				
8-9				
71-72				

MUS	SOLENOID POSITION			
	OPEN	BEFORE TDC	BEFORE TDC	CLOSED BEFORE EMERG.
7-6				
69-70				
8-9				
71-72				

PROJECT NAME: WIRING DIAGRAM
 4000 SERIES (4ADTS/4NDTS)
 GROUP 5 CONTROLS

MANUFACTURING TOLERANCES TO BE IN ACCORDANCE WITH ASCO PROCEDURE MP-1-003. FOR PLASTIC PARTS SEE MP-1-055.

ASCO POWER TECHNOLOGIES, L.P.
 FLORHAM PARK, NEW JERSEY 07932 U.S.A.

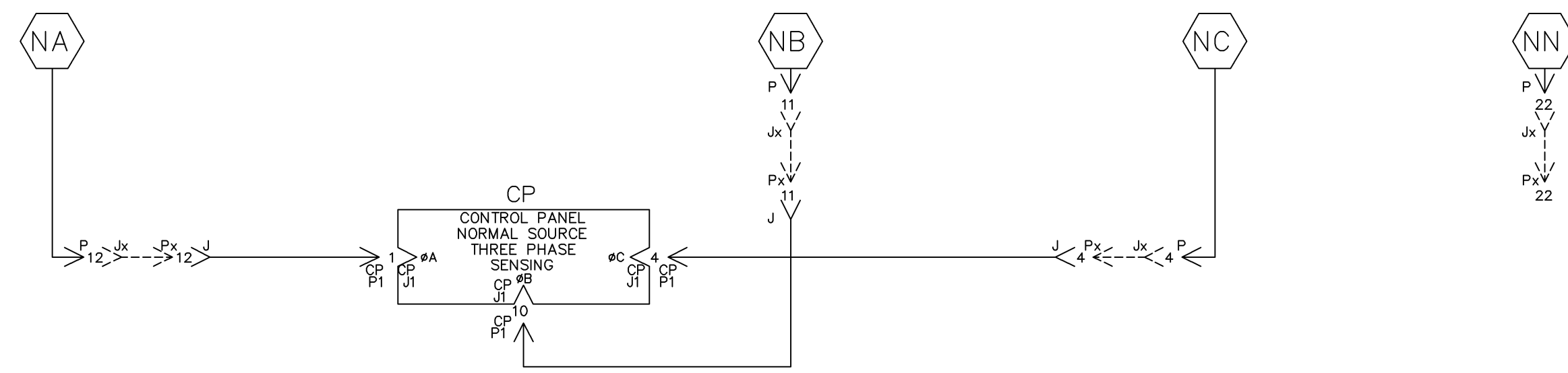
206319	JPB	JPB	10/21/05
CHANGE LETTER	EGN NO.	BY	APP.
AE	AN	AM	AL
CH	AV	AA	AR
AG	AP	AC	AS

SCALE: 1:1
 DWG. NO.: DS 766506
 SHEET 3 OF 6

NORMAL SOURCE CIRCUITS

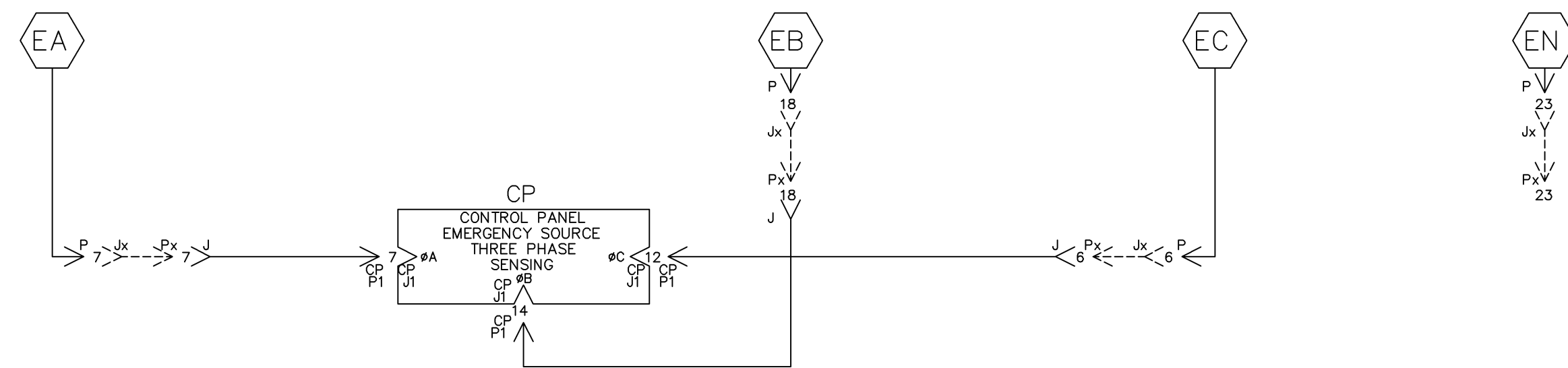
CONTROL SIGNALS & INDICATION

NORMAL



EMERGENCY SOURCE CIRCUITS

EMERGENCY



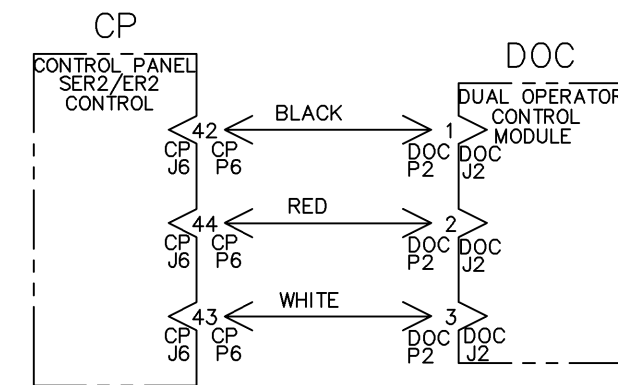
LOAD TERMINAL CIRCUITS

LOAD

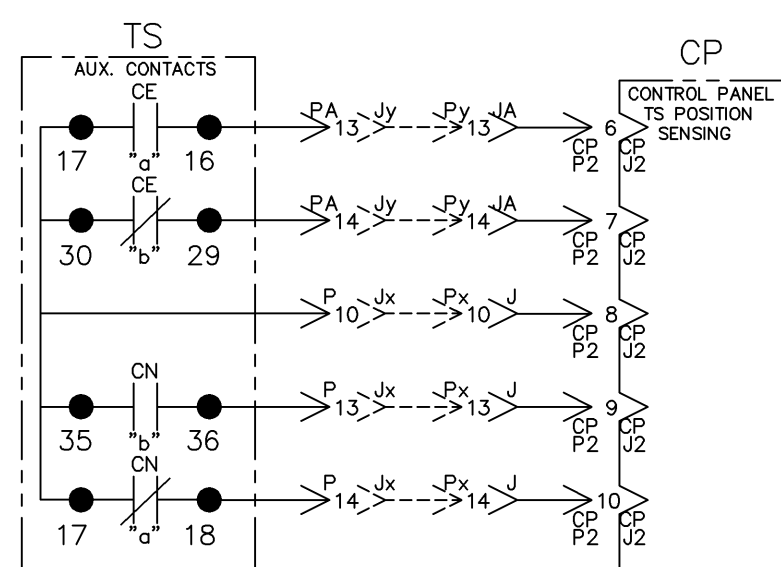


CONTROL SIGNALS & INDICATION

SER2/ER2 CONTROL



TS POSITION SENSING



PROJECT NAME:		206319		JPB	JPB	10/21/05
ISSUE		CHANGE LETTER		EGN NO.	BY	APP.
WIRING DIAGRAM		SUBSIDIARY DISTRIBUTION		THIRD ANGLE PROJECTION		
4000 SERIES (4ADTS/4NDTS)		ASCO POWER TECHNOLOGIES, L.P.		FLORHAM PARK, NEW JERSEY 07932 U.S.A.		
GROUP 5 CONTROLS		MANUFACTURING TOLERANCES TO BE IN ACCORDANCE WITH ASCO PROCEDURE MP-1-003. FOR PLASTIC PARTS SEE MP-1-055.		ASSEM. REF. NO.		
DRAWN BY: JPB		DATE: 10/21/05		SCALE: 1:1		
CHECKED:		DRAWING APPROVAL:		ACAD FILE		
FINAL APPROVAL:		DATE: 10/21/05		SIZE: DS 766506		
ASCO		ASCO POWER TECHNOLOGIES, L.P.		SHEET 4 OF 6		

WIRE RUN LISTING

HARNESS LOCATOR		BOX CHECKED IF HARNESS IS MODIFIED	CLR	AWG
WIRE No.	HARNESS 619510-013 (P,PA,J4) MAIN TS	<input checked="" type="checkbox"/>		16
1	P-1,CN-72			
2	P-2,CN-B			
3	P-3,CN-70			
4	P-4,CN-3			
4	CN-3,CN-69			
4	CN-69,CE-69			
5	P-5,CN-A			
6	P-6,CE-5			
6	CE-5,CE-71			
6	CE-71,CN-71			
7	P-7,CE-4			
7	CE-4,CE-9			
7	CE-9,CN-9			
8	P-8,TB/TS-14			
8	TB/TS-14,CE-14			
9	P-9,TB/TS-15			
9	TB/TS-15,CE-15			
10	P-10,CN-35			
10	CN-35,CN-17			
10	CN-17,CE-30			
10	CE-30,CE-17			
250	CN-39,CE-73			
11	P-11,CN-2			
12	P-12,CN-1			
12	CN-1,CN-7			
12	CN-7,CE-7			
13	P-13,CN-36			
14	P-14,CN-18			
15	P-15,CN-6			
16	P-16,CN-8			
17	P-17,TB/TS-16			
18	P-18,CE-19			
19	P-19,TS-20			
20	P-20,TS-21			
21	P-21,TS-22			
22	P-22,CN-NN			
23	P-23,CE-EN			
24	P-24,TS-LN			
31	PA-1,CE-72			
32	PA-2,CE-B			
33	PA-3,CE-70			
35	PA-5,CE-A			
43	PA-13,CE-16			
44	PA-14,CE-29			
45	PA-15,CE-6			
46	PA-16,CE-8			
47	PA-17,CE-74			
48	PA-18,CN-40			
61	J4-1,CN-12			
62	J4-2,CN-13			
63	J4-3,CN-15			
64	J4-4,CN-16			
65	J4-5,CN-31			
66	J4-6,CN-32			
67	J4-7,CN-45			
68	J4-8,CN-47			
69	J4-9,CN-50			
70	J4-10,CN-48			
71	J4-11,CN-99			
72	J4-12,CN-97			
73	J4-13,CE-10			
74	J4-14,CE-34			
75	J4-15,CE-11			
76	J4-16,CE-33			
77	J4-17,CE-38			
78	J4-18,CE-37			
79	J4-19,CE-45			
80	J4-20,CE-48			
81	J4-21,CE-46			
82	J4-22,CE-49			
83	J4-23,CE-98			
84	J4-24,CE-97			
8	J3-1,TB/TS-14			
9	J3-2,TB/TS-15			
17	J3-3,TB/TS-16			
REMOVE WIRES				
250	CN-39,CE-73			
47	PA-17,CE-74			
48	PA-18,CN-40			
61	J4-1,CN-12			
62	J4-2,CN-13			
63	J4-3,CN-15			
64	J4-4,CN-16			
65	J4-5,CN-31			
66	J4-6,CN-32			
67	J4-7,CN-45			
68	J4-8,CN-47			
69	J4-9,CN-50			
70	J4-10,CN-48			
71	J4-11,CN-99			
72	J4-12,CN-97			
73	J4-13,CE-10			
74	J4-14,CE-34			
75	J4-15,CE-11			
76	J4-16,CE-33			
77	J4-17,CE-38			
78	J4-18,CE-37			
79	J4-19,CE-45			
80	J4-20,CE-48			
81	J4-21,CE-46			
82	J4-22,CE-49			
83	J4-23,CE-98			
84	J4-24,CE-97			

HARNESS LOCATOR		BOX CHECKED IF HARNESS IS MODIFIED	CLR	AWG
WIRE No.	HARNESS 619510-013 (CONTINUED)	<input checked="" type="checkbox"/>		16
ADD WIRES				
61	J4-1,CE-10			
61	CE-10,CN-12			
62	J4-2,CE-11			
63	J4-3,CN-13			
64	J4-4,CE-34			
64	CE-34,CN-15			
65	J4-5,CE-33			
66	J4-6,CN-16			
67	J4-7,CE-37			
67	CE-37,CN-31			
68	J4-8,CE-38			
69	J4-9,CN-32			
70	J4-10,CE-45			
70	CE-45,CN-45			
71	J4-11,CN-47			
72	J4-12,CE-46			
73	J4-13			
74	J4-14			
75	J4-15			
76	J4-16			
77	J4-17			
78	J4-18			
79	J4-19			
80	J4-20			
81	J4-21			
82	J4-22			
83	J4-23			
84	J4-24			
25	J3-4			
34	PA-4			
36	PA-6			
37	PA-7			
38	PA-8			
39	PA-9			
40	PA-10			
41	PA-11			
42	PA-12			
49	PA-19			
50	PA-20			
51	PA-21			
52	PA-22			
53	PA-23			
54	PA-24			

HARNESS LOCATOR		BOX CHECKED IF HARNESS IS MODIFIED	CLR	AWG
WIRE No.	HARNESS 483763 (J,CP-P1,CP-P2) CONTROL PANEL	<input type="checkbox"/>		16
1	J-1,CP-P1-8			
2	J-2,CP-P1-15			
3	J-3,CP-P1-2			
4	J-4,CP-P1-4			
5	J-5,CP-P1-17			
6	J-6,CP-P1-12			
7	J-7,CP-P1-7			
8	J-8,CP-P2-2			
9	J-9,CP-P2-3			
10	J-10,CP-P2-8			
11	J-11,CP-P1-10			
12	J-12,CP-P1-1			
13	J-13,CP-P2-9			
14	J-14,CP-P2-10			
15	J-15,CP-P1-5			
16	J-16,CP-P1-13			
17	J-17,CP-P2-1			
18	J-18,CP-P1-14			
ADD WIRES				
19	J-19			
20	J-20			
21	J-21			
22	J-22			
23	J-23			
24	J-24			

HARNESS LOCATOR		BOX CHECKED IF HARNESS IS MODIFIED	CLR	AWG
WIRE No.	HARNESS 309320-005 (OPTIONAL B" EXTENSION HARNESS)	<input type="checkbox"/>		16
1	Jx-1,Px-1			
2	Jx-2,Px-2			
3	Jx-3,Px-3			
4	Jx-4,Px-4			
5	Jx-5,Px-5			
6	Jx-6,Px-6			
7	Jx-7,Px-7			
8	Jx-8,Px-8			
9	Jx-9,Px-9			
10	Jx-10,Px-10			
11	Jx-11,Px-11			
12	Jx-12,Px-12			
13	Jx-13,Px-13			
14	Jx-14,Px-14			
15	Jx-15,Px-15			
16	Jx-16,Px-16			
17	Jx-17,Px-17			
18	Jx-18,Px-18			
19	Jx-19,Px-19			
20	Jx-20,Px-20			
21	Jx-21,Px-21			
22	Jx-22,Px-22			
23	Jx-23,Px-23			
24	Jx-24,Px-24			

HARNESS LOCATOR		BOX CHECKED IF HARNESS IS MODIFIED	CLR	AWG
WIRE No.	HARNESS 619385 (JA,DOC,CP-P2) CONTROL MODULE	<input type="checkbox"/>		16
31	JA-1,DOC-P1-8			
32	JA-2,DOC-P1-15			
33	JA-3,DOC-P1-2			
35	JA-5,DOC-P1-17			
43	JA-13,CP-P2-6		PIN	
44	JA-14,CP-P2-7		PIN	
45	JA-15,DOC-P1-5			
46	JA-16,DOC-P1-13			
ADD WIRES				
34	JA-4			
36	JA-6			
37	JA-7			
38	JA-8			
39	JA-9			
40	JA-10			
41	JA-11			
42	JA-12			
47	JA-17			
48	JA-18			
49	JA-19			
50	JA-20			
51	JA-21			
52	JA-22			
53	JA-23			
54	JA-24			

HARNESS LOCATOR		BOX CHECKED IF HARNESS IS MODIFIED	CLR	AWG
WIRE No.	HARNESS 309320-005 (OPTIONAL B" EXTENSION HARNESS)	<input type="checkbox"/>		16
31	Jy-1,Py-1			
32	Jy-2,Py-2			
33	Jy-3,Py-3			
34	Jy-4,Py-4			
35	Jy-5,Py-5			
36	Jy-6,Py-6			
37	Jy-7,Py-7			
38	Jy-8,Py-8			
39	Jy-9,Py-9			
40	Jy-10,Py-10			
41	Jy-11,Py-11			
42	Jy-12,Py-12			
43	Jy-13,Py-13			
44	Jy-14,Py-14			
45	Jy-15,Py-15			
46	Jy-16,Py-16			
47	Jy-17,Py-17			
48	Jy-18,Py-18			
49	Jy-19,Py-19			
50	Jy-20,Py-20			
51	Jy-21,Py-21			
52	Jy-22,Py-22			
53	Jy-23,Py-23			
54	Jy-24,Py-24			

HARNESS LOCATOR		BOX CHECKED IF HARNESS IS MODIFIED	CLR	AWG
WIRE No.	HARNESS 781442 (P3,P4,TB) FIELD TERMINATIONS	<input type="checkbox"/>		16
8	P3-1,TB-1			
9	P3-2,TB-2			
17	P3-3,TB-3			
ADD WIRES				
200	P3-4			
201	P4-13			
202	P4-14			
203	P4-15			
204	P4-16			
205	P4-17			
206	P4-18			
207	P4-19			
208	P4-20			
209	P4-21			
210	P4-22			
211	P4-23			
201	P4-24			

HARNESS LOCATOR		BOX CHECKED IF HARNESS IS MODIFIED	CLR	AWG
WIRE No.	(P4,TB) OPTIONAL HARNESS ADDITIONAL FIELD TERMINATIONS	<input type="checkbox"/>		16
31	P4-7,TB-10			
32	P4-8,TB-11			
33	P4-9,TB-12			
34	P4-10,TB-13			
35	P4-11,TB-15			
36	P4-12,TB-14			

WIRE No.	ADDITIONAL WIRING	CLR	AWG
134	CP-P6-42,DOC-P2-1	BLK	22
135	CP-P6-43,DOC-P2-3	WHT	COND
136	CP-P6-44,DOC-P2-2	RED	

PROJECT NAME:		206319	JPB	JPB	10/21/05
ISSUE					
CHANGE LETTER	ECN NO.	BY	APP.	DATE	
WIRING DIAGRAM					
4000 SERIES (4ADTS/4NDTS) GROUP 5 CONTROLS					
THIRD ANGLE PROJECTION					
CHECKED	BY	DATE	MANUFACTURING TOLERANCES TO BE IN ACCORDANCE WITH ASCO PROCEDURE MP-1-003. FOR PLASTIC PARTS SEE MP-1-055.		
DESIGNING	JPB	10/21/05	ASSEMBLY REF. NO.		
APPROVAL			PROPERTY OF ASCO POWER TECHNOLOGIES. USE PERMITTED FOR OUR WORK ONLY. ALL RIGHTS OF DESIGN OR INVENTION ARE RESERVED.		
FINAL APPROVAL	JPB	10/21/05	COMPUTER GENERATED DRAWING		
SCALE 1:1		ACAD	FILE		
SIZE DWG. NO.		DS766506			
CHANGE LETTER		ECN 206319	SHEET 6 OF 6		
ASCO		ASCO POWER TECHNOLOGIES, L.P. FLORHAM PARK, NEW JERSEY 07932 U.S.A.			