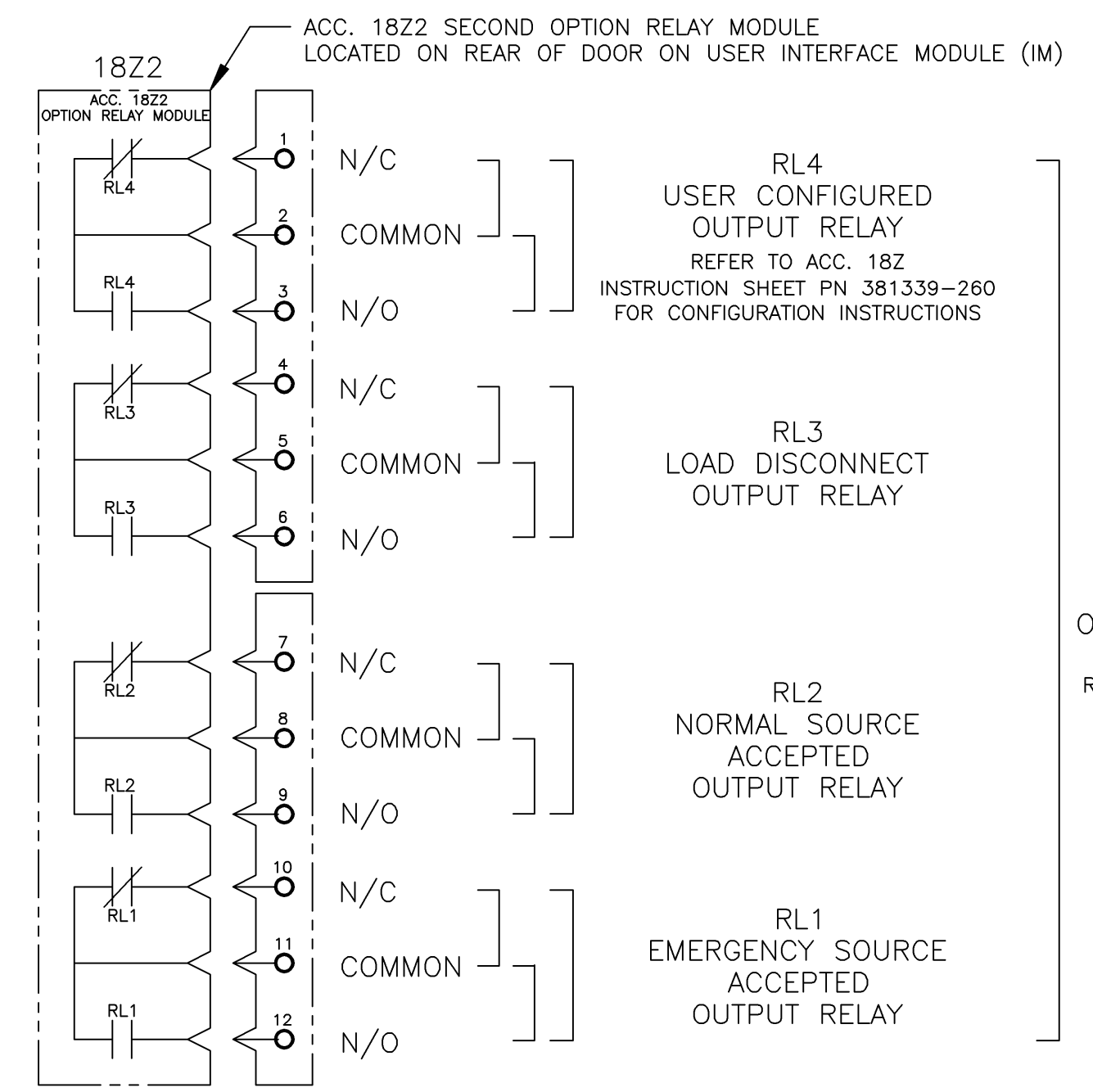
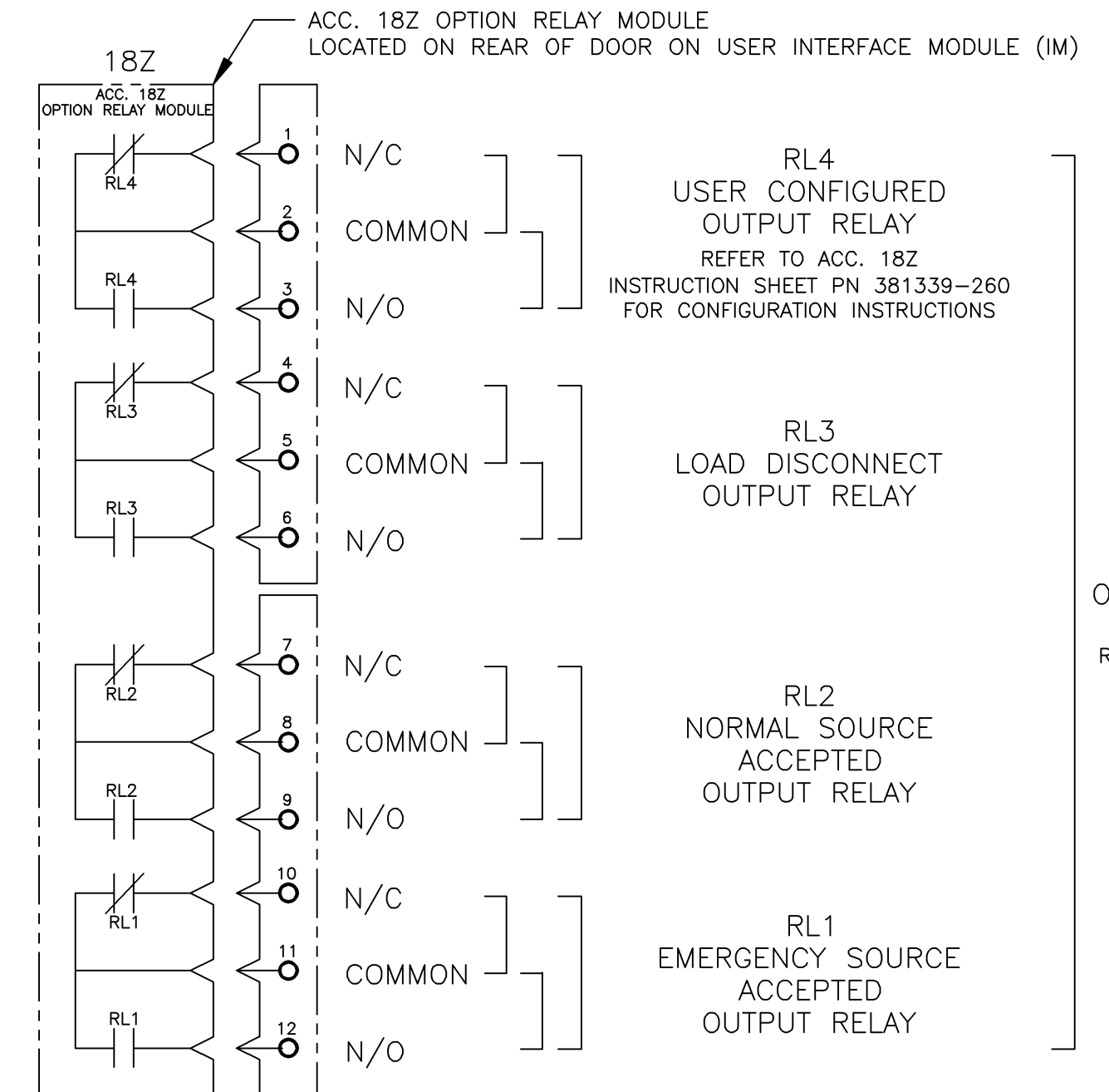
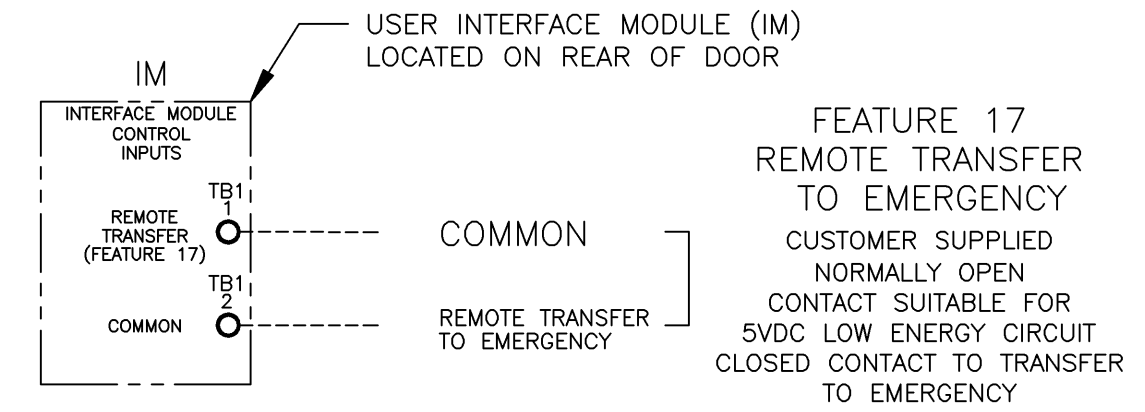
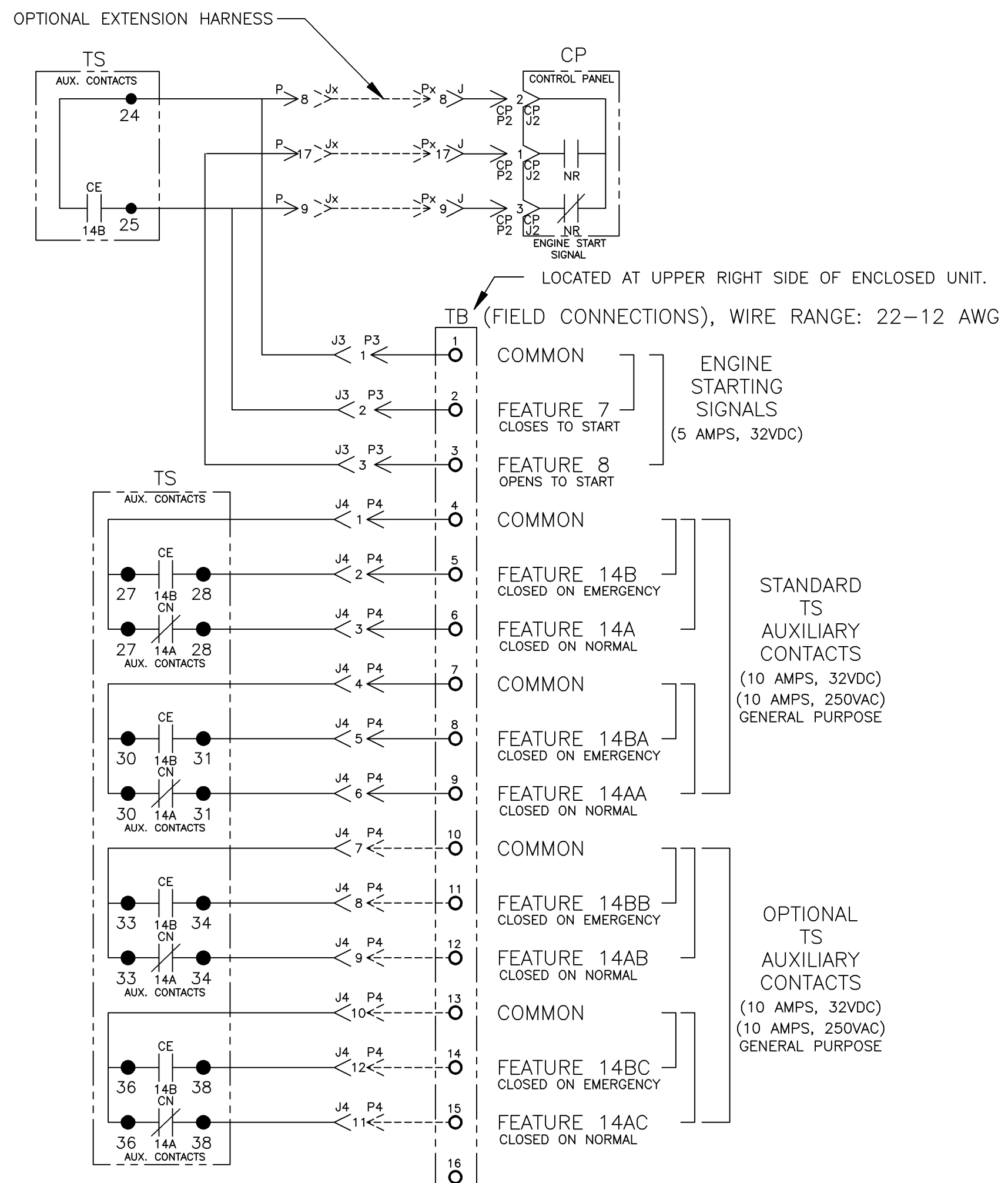


FIELD CONNECTIONS

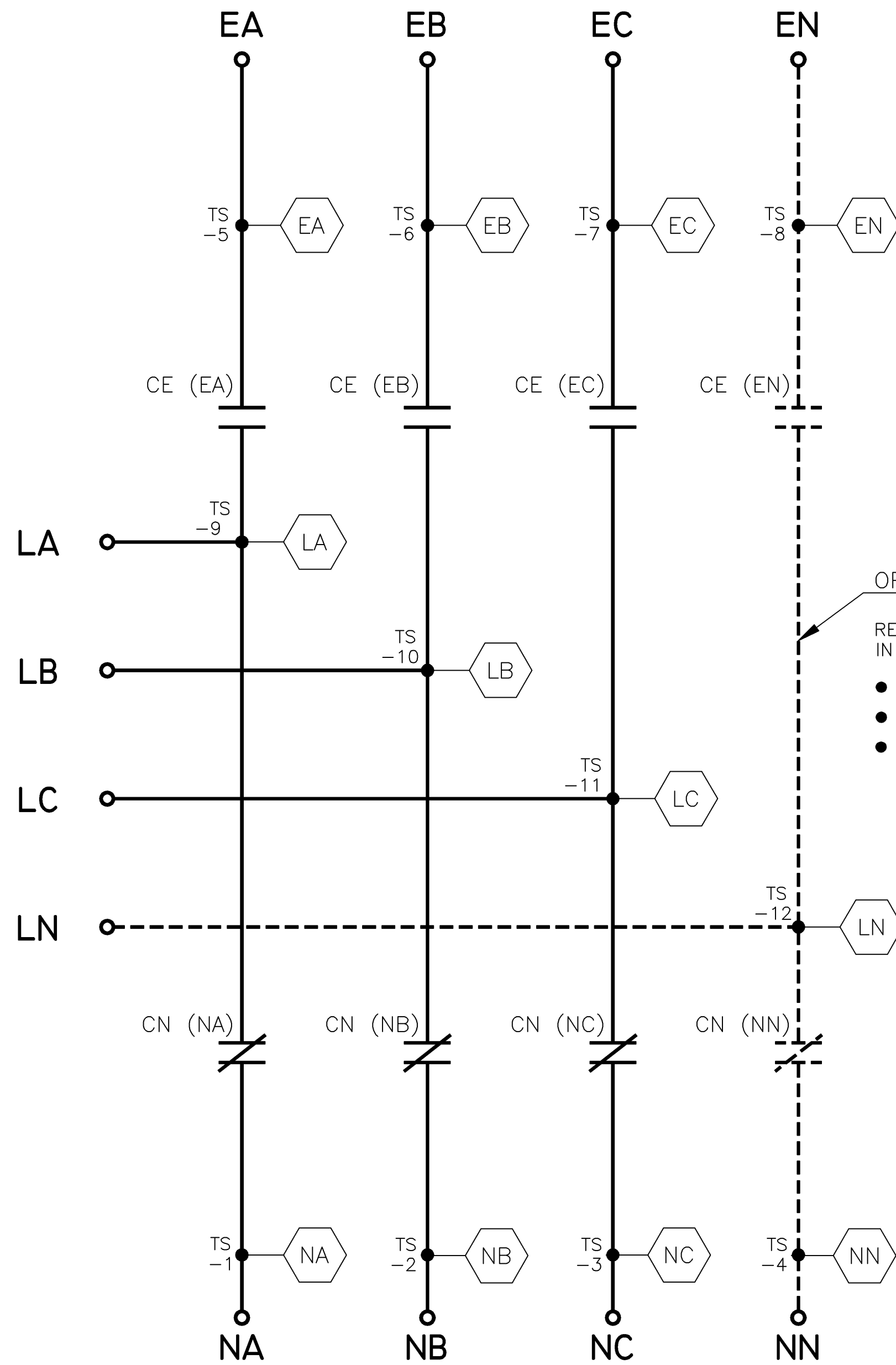


B	205825	JPB	JPB	9/8/05
SEE ECN				
A	205768	JPB	JPB	8/31/05
SEE ECN				
-	205285	JPB	JPB	7/26/05
ISSUE				

PROJECT NAME:		CHANGE LETTER		ECN NO.	BY	APP.	DATE
WIRING DIAGRAM		THIRD ANGLE PROJECTION		SUBSIDIARY DISTRIBUTION			
4000 SERIES (J4ADTS/J4NDTS)		ASCO POWER TECHNOLOGIES, L.P.		<input type="checkbox"/> AN <input type="checkbox"/> AM <input type="checkbox"/> AJ <input type="checkbox"/> AL <input type="checkbox"/> <input type="checkbox"/> CH <input type="checkbox"/> AV <input type="checkbox"/> AA <input type="checkbox"/> PS <input type="checkbox"/> AR <input type="checkbox"/> <input type="checkbox"/> AG <input type="checkbox"/> AP <input type="checkbox"/> AC <input type="checkbox"/> AS <input type="checkbox"/>			
DRAWN BY: JPB 7/26/05		MANUFACTURING TOLERANCES TO BE IN ACCORDANCE WITH ASCO PROCEDURE MP-1-003. FOR PLASTIC PARTS SEE MP-1-055.		COMPUTER GENERATED DRAWING			
CHECKED BY: JPB 7/26/05		PROPERTY OF ASCO POWER TECHNOLOGIES. USE PERMITTED FOR OUR WORK ONLY. ALL RIGHTS OF DESIGN OR INVENTION ARE RESERVED.		SCALE: 1:1 ACAD FILE			
FINAL APPROVAL: JPB 7/26/05		ASCO POWER TECHNOLOGIES, L.P. FLORHAM PARK, NEW JERSEY 07932 U.S.A.		SIZE: DWS NO. DS781126			
		ASCO		CHANGE LETTER: ECN NO. 205825 SHEET 2 OF 6			

EMERGENCY

NORMAL

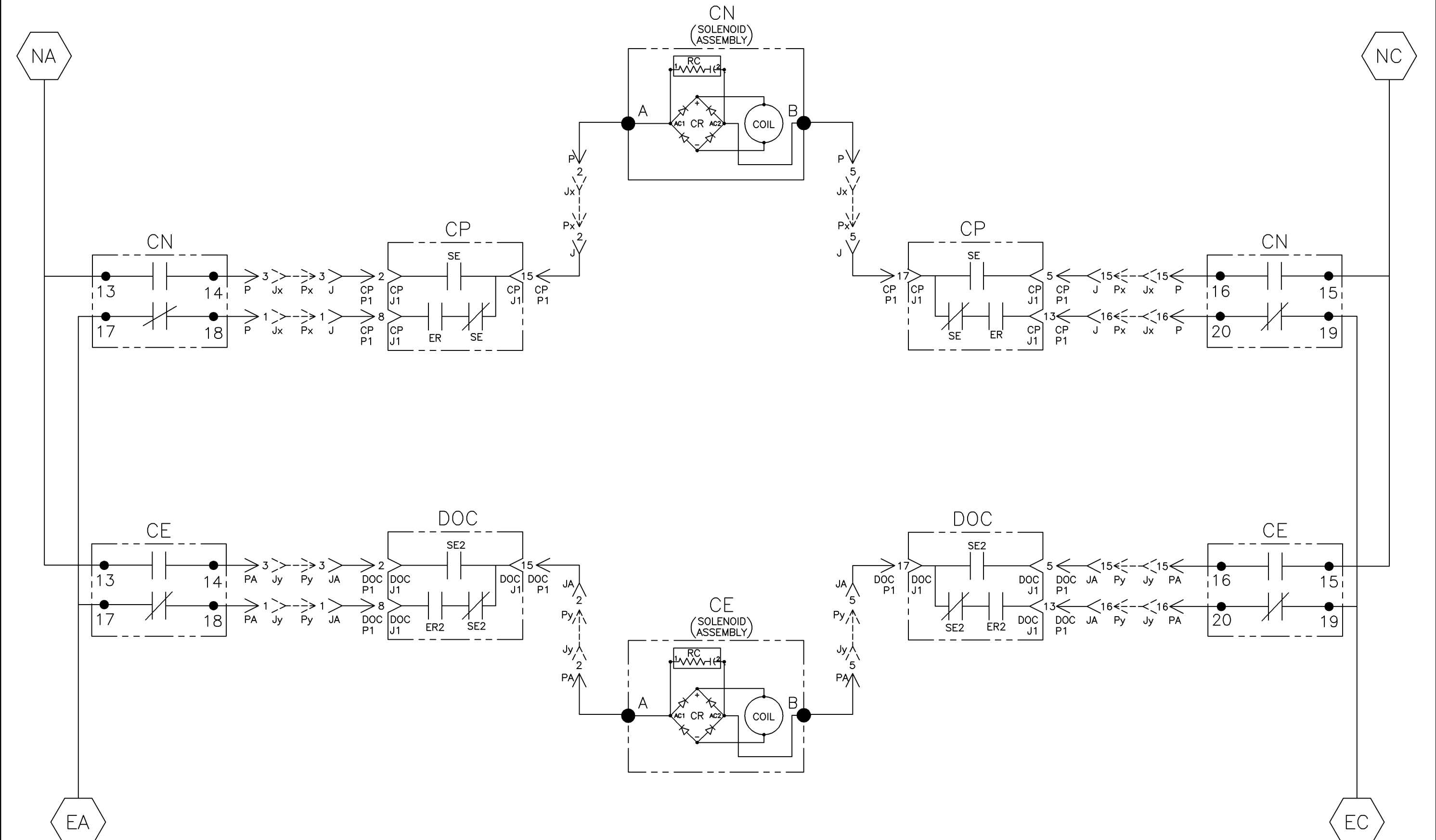


OPTIONAL NEUTRAL TYPES
 REFER TO "EXPLANATION OF CATALOG NUMBER CODES"
 IN CATALOG NUMBER CHART ON SHEET 1.

- NONE
- SWITCHING
- SOLID BUS PLATE

NORMAL

NOTE:
 ATS SHOWN CLOSED ON
 NORMAL SOURCE.



EMERGENCY

CN	SOLENOID POSITION			
	CLOSED BEFORE NORMAL TDC	>	<	BEFORE OPEN
13-14				
15-16				
17-18				
19-20				

CE	SOLENOID POSITION			
	OPEN BEFORE TDC	>	<	BEFORE CLOSED
13-14				
15-16				
17-18				
19-20				

TDC (TOP DEAD CENTER)
 TRANSFER SWITCH TEST & ADJUSTMENT PROCEDURE
 SPECIFIES CONTROL CUT-OFF (CONTACT OPENING)
 SETTING.

PROJECT NAME: WIRING DIAGRAM
 4000 SERIES (J4ADTS/J4NDTS)
 GROUP 5 CONTROLS

THIRD ANGLE PROJECTION

BY	DATE	MANUFACTURING TOLERANCES TO BE IN ACCORDANCE WITH ASCO PROCEDURE MP-1-003. FOR PLASTIC PARTS SEE MP-1-055	ASSEM. REF. NO.
DRAWN BY	JPB 7/26/05		
CHECKED	JPB 7/26/05	PROPERTY OF ASCO POWER TECHNOLOGIES. USE PERMITTED FOR OUR WORK ONLY. ALL RIGHTS OF DESIGN OR INVENTION ARE RESERVED.	
DRAWING APPROVAL			
FINAL APPROVAL	JPB 7/26/05		

SCALE: 1:1
 FILE: ACAD
 COMPUTER GENERATED DRAWING
 SIZE: 11x17
 DWG. NO.: DS781126
 SHEET NO.: 3 OF 6

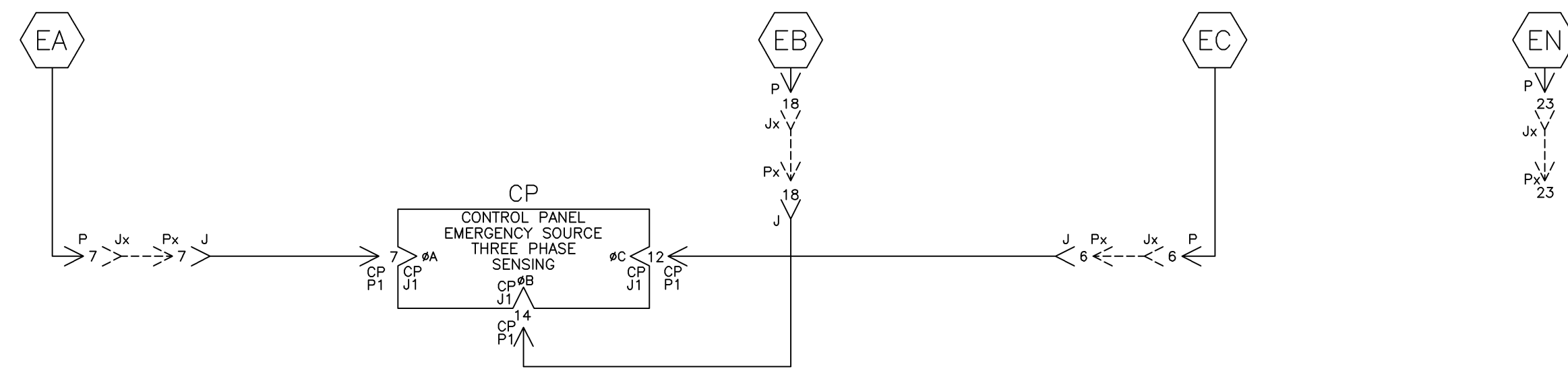
B	205825	JPB	JPB	9/8/05
SEE ECN				
A	205768	JPB	JPB	8/31/05
SEE ECN				
-	205265	JPB	JPB	7/26/05
ISSUE				

CHANGE LETTER	ECN NO.	BY	APP.	DATE

EMERGENCY SOURCE CIRCUITS

ADDITIONAL CIRCUITS

EMERGENCY



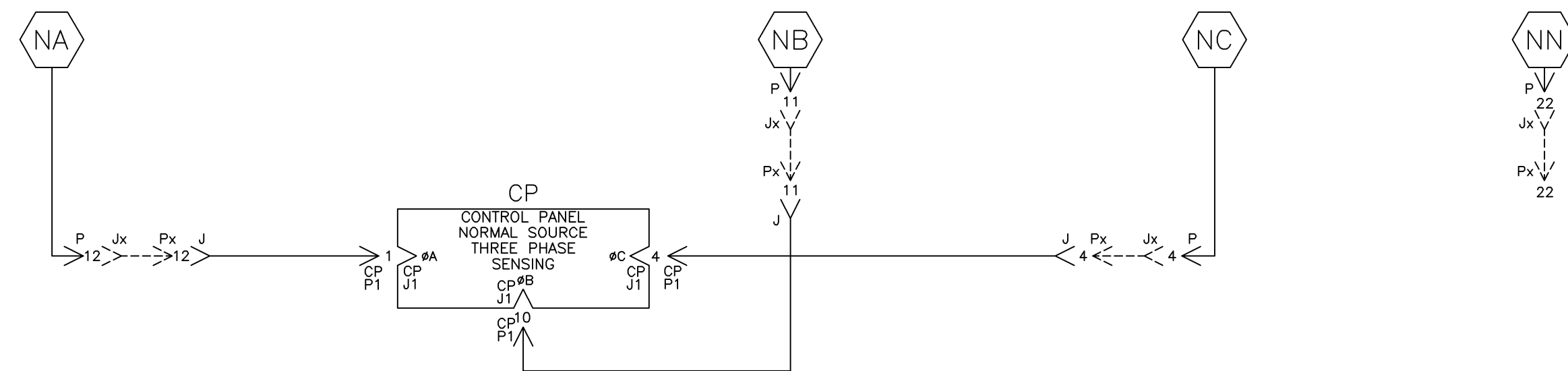
LOAD TERMINAL CIRCUITS

LOAD



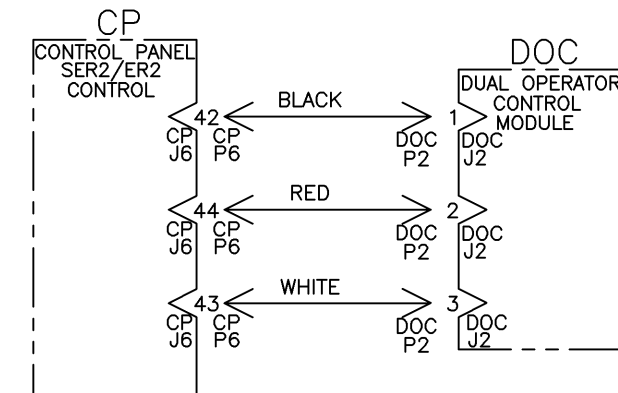
NORMAL SOURCE CIRCUITS

NORMAL

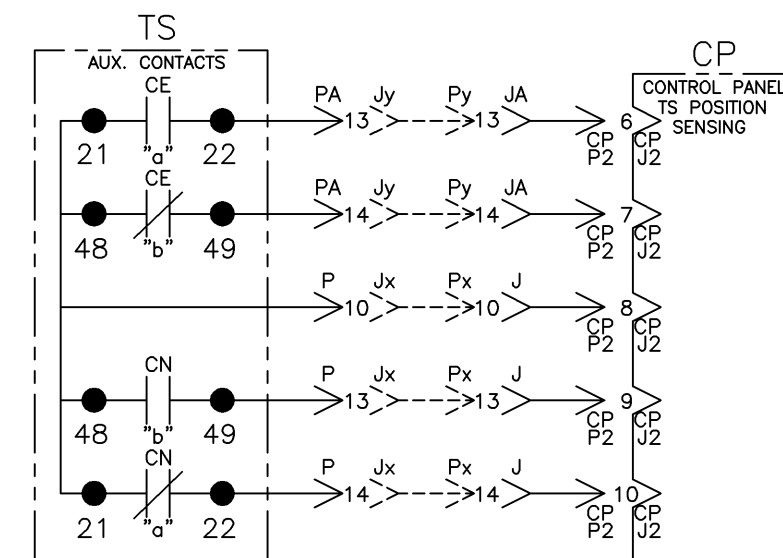


CONTROL CIRCUITS

SER2/ER2 CONTROL



TS POSITION SENSING



PROJECT NAME:		WIRING DIAGRAM		4000 SERIES (J4ADTS/J4NDTS) GROUP 5 CONTROLS		THIRD ANGLE PROJECTION				
CHANGE LETTER	ECN NO.	BY	APP.	DATE	SUBSIDIARY DISTRIBUTION					
B	205825	JPB	JPB	9/8/05	AE	AN	AM	AJ	AL	AO
A	205768	JPB	JPB	8/31/05	CH	AV	AA	PS	AR	AS
-	205265	JPB	JPB	7/26/05	AG	AP	AC	AS	AT	AW
DRAWN BY		DATE	MANUFACTURING TOLERANCES TO BE IN ACCORDANCE WITH ASCO PROCEDURE MP-1-003. FOR PLASTIC PARTS SEE MP-1-055.		ASSEM. REF. NO.		COMPUTER GENERATED DRAWING			
CHECKED	JPB	7/26/05	PROPERTY OF ASCO POWER TECHNOLOGIES. USE PERMITTED FOR OUR WORK ONLY. ALL RIGHTS OF DESIGN OR INVENTION ARE RESERVED.		SCALE	1:1	ACAD	FILE		
DRAWING APPROVAL	JPB	7/26/05	ASCO POWER TECHNOLOGIES, L.P.		SIZE	DWG. NO.		DS781126		
FINAL APPROVAL	JPB	7/26/05	FLORHAM PARK, NEW JERSEY 07932 U.S.A.		CHANGE LETTER	ECN NO.	205825	SHEET		4 OF 6

PHYSICAL DIAGRAM

ENCLOSURE

DOOR (INSIDE)

TS (TRANSFER SWITCH)
VIEW FROM INSIDE FRONT

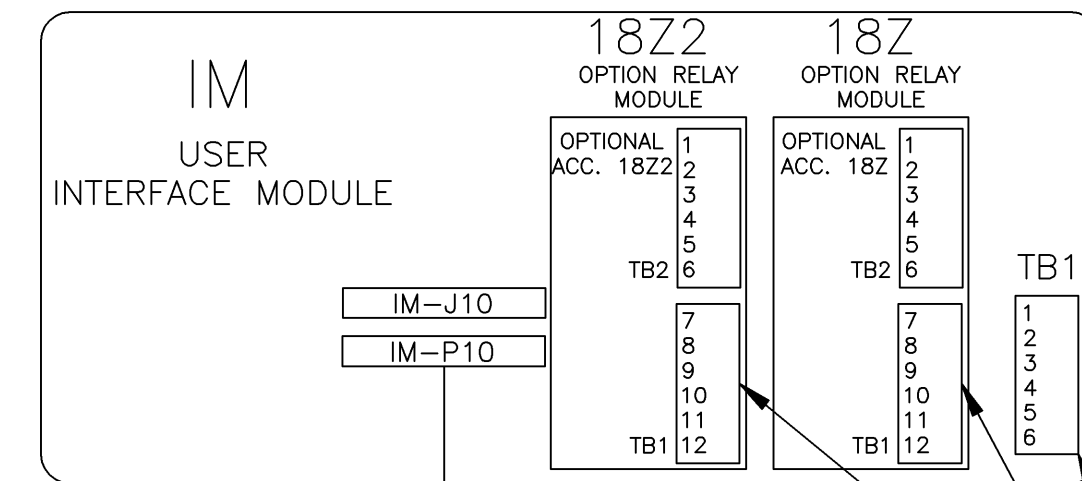
STANDARD:
EMERGENCY & LOAD OUT
OF THE TOP AND NORMAL
OUT THE BOTTOM.

OPTIONAL:
EMERGENCY OUT OF THE TOP
AND NORMAL & LOAD
OUT THE BOTTOM.
*NOT AVAILABLE ON 600 AMP UNITS.

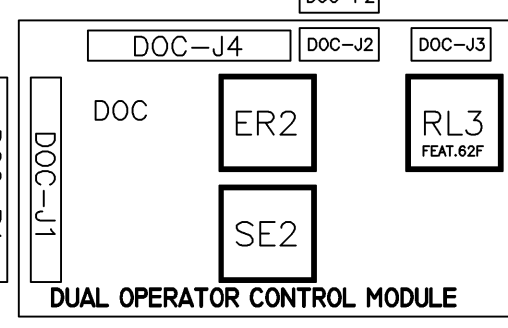
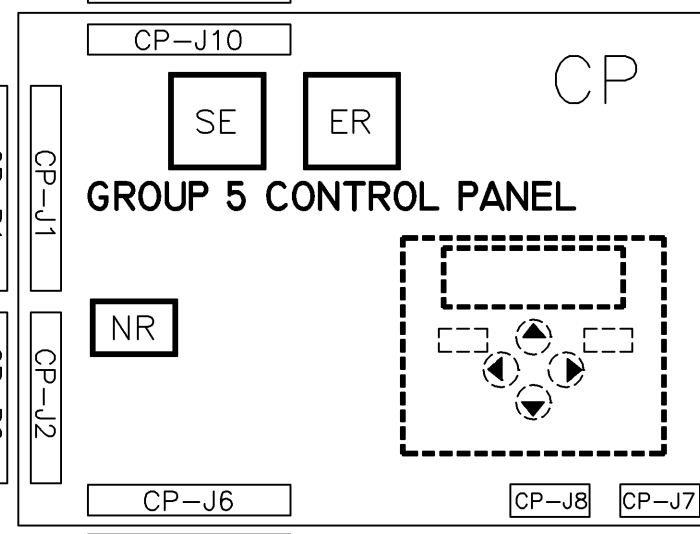
DOOR HINGE

BONDING STRAP
PN 098323-019

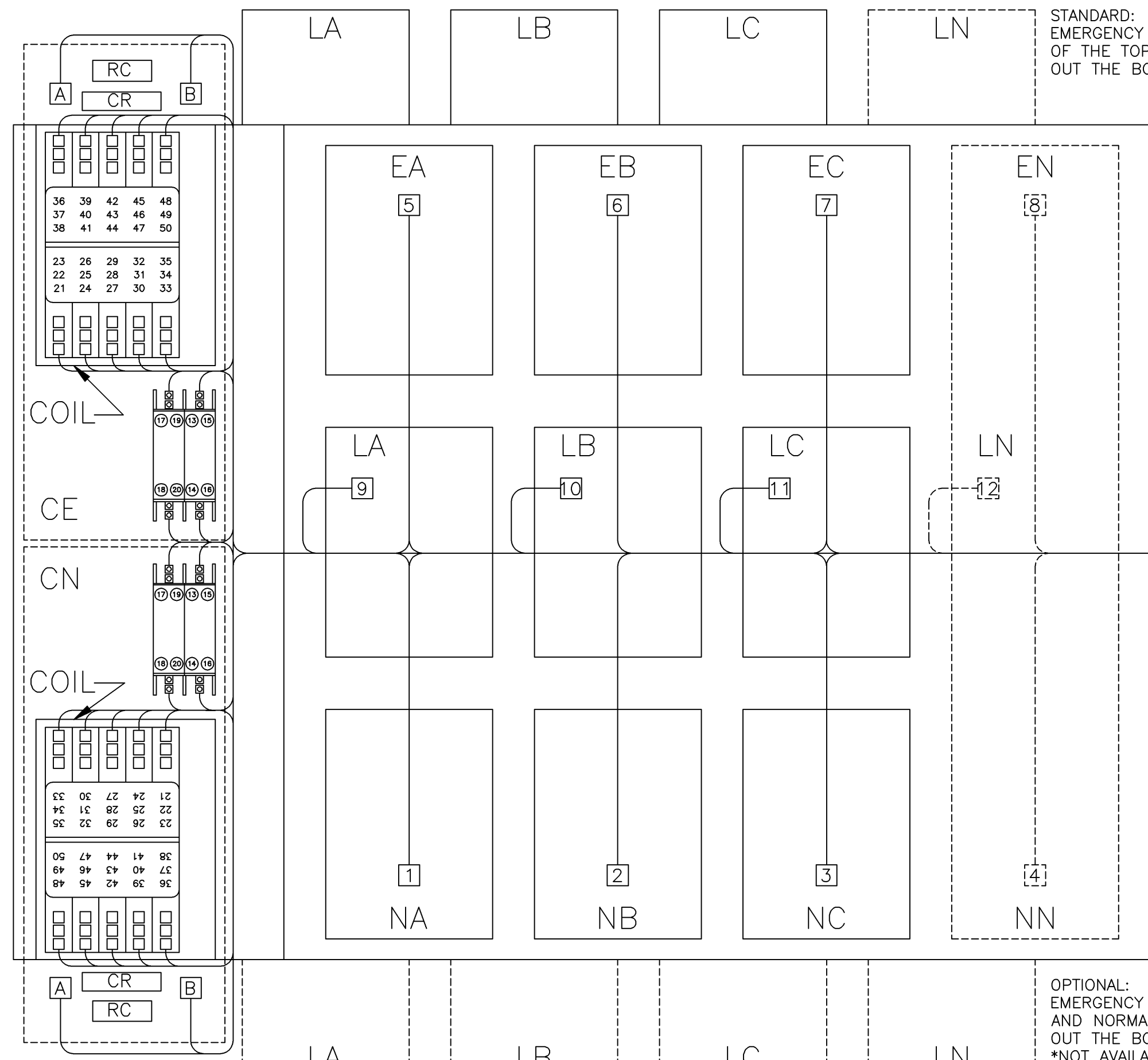
OPTIONAL
POWERMANAGER
OR ADDITIONAL
OPERATOR CONTROLS
ESCUTCHEON MOUNTING



USER INTERFACE
MODULE FIELD
TERMINATIONS
ACC. 18Z & 18Z2
FIELD
TERMINATIONS



AP
OPTIONAL
ACCESSORY ADD-ON PANEL
MOUNTING



B	205825	JPB	JPB	9/8/05
SEE ECN				
A	205768	JPB	JPB	8/31/05
SEE ECN				
-	205285	JPB	JPB	7/26/05
ISSUE				

PROJECT NAME:		WIRING DIAGRAM		THIRD ANGLE PROJECTION	
4000 SERIES (J4ADTS/J4NDTS)		GROUP 5 CONTROLS		COMPUTER GENERATED DRAWING	
SCALE	1:1	ACAD	FILE	SIZE DWG. NO.	
DS781126		CHANGE LETTER		ECN NO.	205825
SHEET		5		OF 6	

ASCO POWER TECHNOLOGIES, L.P.
FLORHAM PARK, NEW JERSEY 07932 U.S.A.

WIRE RUN LISTING

HARNESS LOCATOR		BOX CHECKED IF HARNESS IS MODIFIED	CLR	AWG
WIRE No.	HARNESS 619510-061 (P,PA,J3,J4) MAIN TS			18
1	P-1,CN-18			
2	P-2,CN-A			
3	P-3,CN-14			
4	P-4,TS-3			
4	TS-3,CE-15			
4	CE-15,CN-15			
5	P-5,CN-B			
6	P-6,TS-7			
6	TS-7,CE-19			
6	CE-19,CN-19			
7	P-7,TS-5			
7	TS-5,CE-17			
7	CE-17,CN-17			
8	P-8,CE-24			
8	CE-24,J3-1			
9	P-9,CE-25			
9	CE-25,J3-2			
10	P-10,CE-21			
10	CE-21,CN-48			
10	CN-48,CN-48			
11	P-11,TS-2			
12	P-12,TS-1			
12	TS-1,CE-13			
12	CE-13,CN-13			
13	P-13,CN-49			
14	P-14,CN-22			
15	P-15,CN-16			
16	P-16,CN-20			
17	P-17,J3-3			
18	P-18,TS-6			
19	P-19,TS-9			
20	P-20,TS-10			
21	P-21,TS-11			
22	P-22,TS-4			
23	P-23,TS-8			
24	P-24,TS-12			
25	J4-1,CE-27			
25	CE-27,CN-27			
26	J4-2,CE-28			
27	J4-3,CN-28			
28	J4-4,CE-30			
28	CE-30,CN-30			
29	J4-5,CE-31			
30	J4-6,CN-31			
31	J4-7,CE-33			
31	CE-33,CN-33			
32	J4-8,CE-34			
33	J4-9,CN-34			
34	J4-10,CE-36			
34	CE-36,CN-36			
35	J4-11,CN-38			
36	J4-12,CE-38			
37	J4-13,CE-39			
37	CE-39,CN-39			
38	J4-14,CN-41			
39	J4-15,CE-41			
40	J4-16,CE-42			
40	CE-42,CN-42			
41	J4-17,CN-44			
42	J4-18,CE-44			
43	J4-19,CE-45			
43	CE-45,CN-45			
107	PA-1,CE-18			
108	PA-2,CE-A			
109	PA-3,CE-14			
111	PA-5,CE-B			
119	PA-13,CE-22			
120	PA-14,CE-49			
121	PA-15,CE-16			
122	PA-16,CE-20			
123	PA-17,CE-47			
124	PA-18,CN-47			
ADD WIRES				
97	J3-4			
44	J4-20			
45	J4-21			
46	J4-22			
47	J4-23			
48	J4-24			
110	PA-4			
112	PA-6			
113	PA-7			
114	PA-8			
115	PA-9			
116	PA-10			
117	PA-11			
118	PA-12			
125	PA-19			
126	PA-20			
127	PA-21			
128	PA-22			
129	PA-23			
130	PA-24			

HARNESS LOCATOR		BOX CHECKED IF HARNESS IS MODIFIED	CLR	AWG
WIRE No.	HARNESS 483763 (J,CP-P1,CP-P2) CONTROL PANEL			16
1	J-1,CP-P1-8			
2	J-2,CP-P1-15			
3	J-3,CP-P1-2			
4	J-4,CP-P1-4			
5	J-5,CP-P1-17			
6	J-6,CP-P1-12			
7	J-7,CP-P1-7			
8	J-8,CP-P2-2			
9	J-9,CP-P2-3			
10	J-10,CP-P2-8			
11	J-11,CP-P1-10			
12	J-12,CP-P1-1			
13	J-13,CP-P2-9			
14	J-14,CP-P2-10			
15	J-15,CP-P1-5			
16	J-16,CP-P1-13			
17	J-17,CP-P2-1			
18	J-18,CP-P1-14			
ADD WIRES				
19	J-19			
20	J-20			
21	J-21			
22	J-22			
23	J-23			
24	J-24			

HARNESS LOCATOR		BOX CHECKED IF HARNESS IS MODIFIED	CLR	AWG
WIRE No.	HARNESS 309320-005 OPTIONAL 8" EXTENSION HARNESS			16
1	Jx-1,Px-1			
2	Jx-2,Px-2			
3	Jx-3,Px-3			
4	Jx-4,Px-4			
5	Jx-5,Px-5			
6	Jx-6,Px-6			
7	Jx-7,Px-7			
8	Jx-8,Px-8			
9	Jx-9,Px-9			
10	Jx-10,Px-10			
11	Jx-11,Px-11			
12	Jx-12,Px-12			
13	Jx-13,Px-13			
14	Jx-14,Px-14			
15	Jx-15,Px-15			
16	Jx-16,Px-16			
17	Jx-17,Px-17			
18	Jx-18,Px-18			
19	Jx-19,Px-19			
20	Jx-20,Px-20			
21	Jx-21,Px-21			
22	Jx-22,Px-22			
23	Jx-23,Px-23			
24	Jx-24,Px-24			
ADD WIRES				
200	P3-4			
201	P4-13			
202	P4-14			
203	P4-15			
204	P4-16			
205	P4-17			
206	P4-18			
207	P4-19			
208	P4-20			
209	P4-21			
210	P4-22			
211	P4-23			
201	P4-24			

HARNESS LOCATOR		BOX CHECKED IF HARNESS IS MODIFIED	CLR	AWG
WIRE No.	HARNESS 619385 (JA,CP-P2,DOC-P1) CONTROL MODULE			16
107	JA-1,DOC-P1-8			
108	JA-2,DOC-P1-15			
109	JA-3,DOC-P1-2			
111	JA-5,DOC-P1-17			
119	JA-13,CP-P2-6			
120	JA-14,CP-P2-7			
121	JA-15,DOC-P1-5			
122	JA-16,DOC-P1-13			
ADD WIRES				
110	JA-4			
112	JA-6			
113	JA-7			
114	JA-8			
115	JA-9			
116	JA-10			
117	JA-11			
118	JA-12			
123	JA-17			
124	JA-18			
125	JA-19			
126	JA-20			
127	JA-21			
128	JA-22			
129	JA-23			
130	JA-24			

HARNESS LOCATOR		BOX CHECKED IF HARNESS IS MODIFIED	CLR	AWG
WIRE No.	HARNESS 309320-005 OPTIONAL 8 IN. EXTENSION HARNESS			16
107	Jy-1,Py-1			
108	Jy-2,Py-2			
109	Jy-3,Py-3			
110	Jy-4,Py-4			
111	Jy-5,Py-5			
112	Jy-6,Py-6			
113	Jy-7,Py-7			
114	Jy-8,Py-8			
115	Jy-9,Py-9			
116	Jy-10,Py-10			
117	Jy-11,Py-11			
118	Jy-12,Py-12			
119	Jy-13,Py-13			
120	Jy-14,Py-14			
121	Jy-15,Py-15			
122	Jy-16,Py-16			
123	Jy-17,Py-17			
124	Jy-18,Py-18			
125	Jy-19,Py-19			
126	Jy-20,Py-20			
127	Jy-21,Py-21			
128	Jy-22,Py-22			
129	Jy-23,Py-23			
130	Jy-24,Py-24			

HARNESS LOCATOR		BOX CHECKED IF HARNESS IS MODIFIED	CLR	AWG
WIRE No.	HARNESS 781442 (P3,P4,TB) FIELD TERMINATIONS			16
8	P3-1,TB-1			
9	P3-2,TB-2			
17	P3-3,TB-3			
25	P4-1,TB-4			
26	P4-2,TB-5			
27	P4-3,TB-6			
28	P4-4,TB-7			
29	P4-5,TB-8			
30	P4-6,TB-9			
ADD WIRES				
200	P3-4			
201	P4-13			
202	P4-14			
203	P4-15			
204	P4-16			
205	P4-17			
206	P4-18			
207	P4-19			
208	P4-20			
209	P4-21			
210	P4-22			
211	P4-23			
201	P4-24			

HARNESS LOCATOR		BOX CHECKED IF HARNESS IS MODIFIED	CLR	AWG
WIRE No.	OPTIONAL HARNESS (P4,TB) ADDITIONAL FIELD TERMINATIONS			16
31	P4-7,TB-10			
32	P4-8,TB-11			
33	P4-9,TB-12			
34	P4-10,TB-13			
35	P4-11,TB-15			
36	P4-12,TB-14			

WIRE No.	ADDITIONAL WIRING	CLR	AWG
134	CP-P6-42,DOC-P2-1	BLK	22
135	CP-P6-43,DOC-P2-3	WHT	(4 COND)
136	CP-P6-44,DOC-P2-2	RED	

B	205825	JPB	JPB	9/8/05
SEE ECN				
A	205768	JPB	JPB	8/31/05
SEE ECN				
-	205265	JPB	JPB	7/26/05
ISSUE				

PROJECT NAME: WIRING DIAGRAM

4000 SERIES (J4ADTS/J4NDTS) GROUP 5 CONTROLS

THIRD ANGLE PROJECTION

MANUFACTURING TOLERANCES TO BE IN ACCORDANCE WITH ASCO PROCEDURE MP-1-003. FOR PLASTIC PARTS SEE MP-1-005.

PROPERTY OF ASCO POWER TECHNOLOGIES. USE PERMITTED FOR OUR WORK ONLY. ALL RIGHTS OF DESIGN OR INVENTION ARE RESERVED.

ASCO POWER TECHNOLOGIES, L.P. FLORHAM PARK, NEW JERSEY 07932 U.S.A.

SCALE: 1:1

SIZE: 8.5" x 11"

FILE: DS781126

COMPUTER GENERATED DRAWING

CHANGE LETTER: B

ECN NO.: 205825

DATE: 9/8/05

BY: JPB

APP: JPB

DATE: 7/26/05

SHEET 6 OF 6