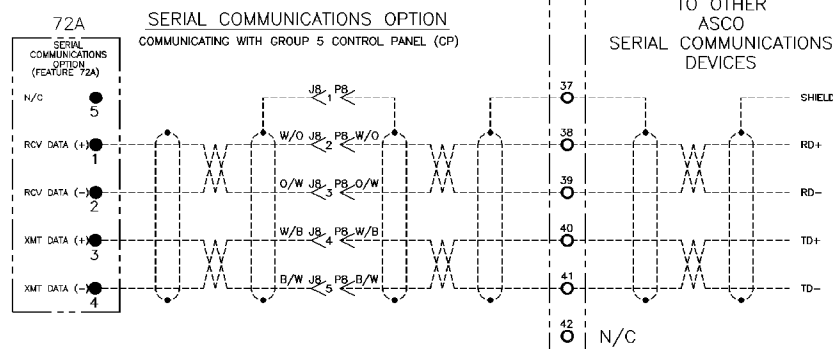
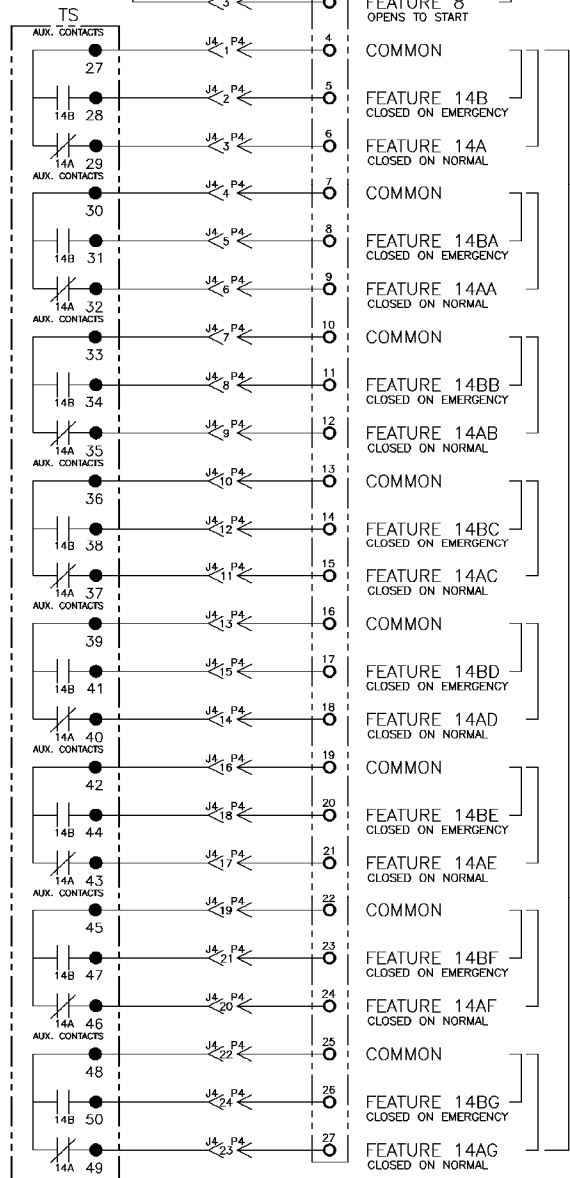
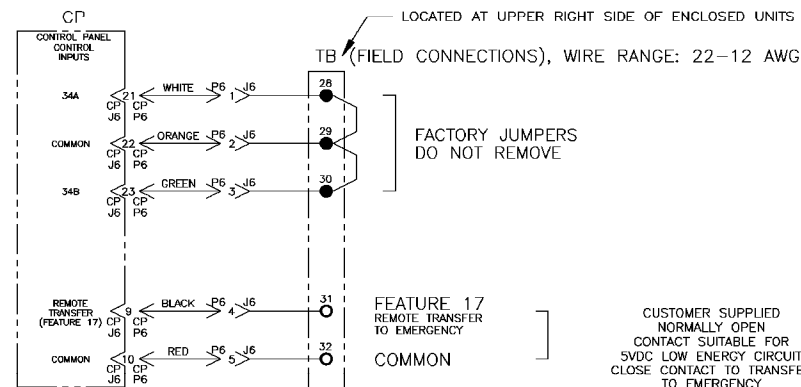
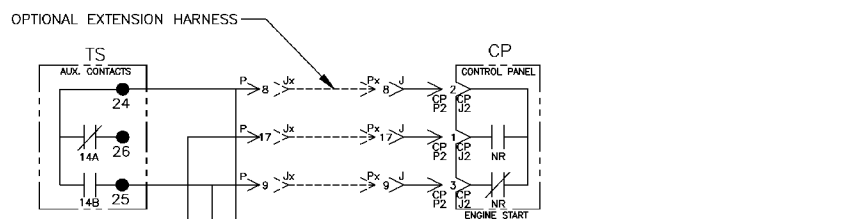




FIELD CONNECTIONS



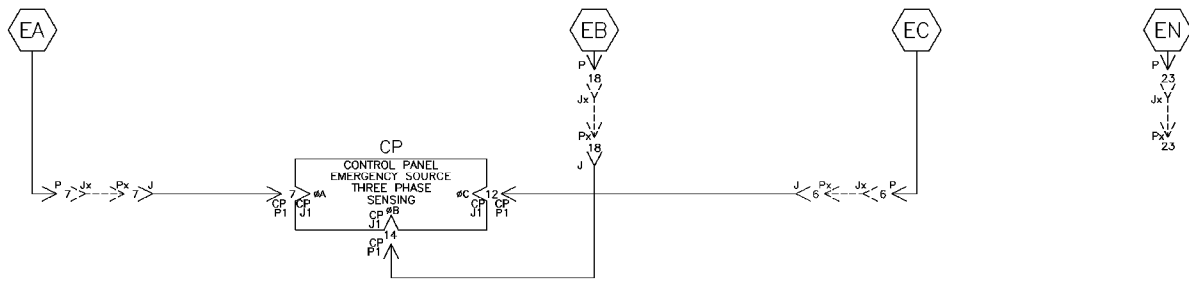
PROJECT NAME:		158293 BWM WK 7/24/01	
WIRING DIAGRAM		SEE ECN	
7000 SERIES (H7ATS)		156547 SDH SDH 01/01	
GROUP 5 CONTROLS		ISSUE	
CHANGE LETTER	ECN NO.	BY	APP. DATE
SUBSIDIARY DISTRIBUTION			
AE	AN	AM	AL
CH	AV	AP	AS
AG	AF	AC	AD
COMPUTER GENERATED DRAWING			
SCALE	ACAD	FILE	
PROPERTY OF ASCO POWER TECHNOLOGIES USE PERMITTED FOR OUR WORK ONLY. ALL RIGHTS OF DESIGN OR INVENTION ARE RESERVED.		SIZE DWG. NO.	
DRAWN BY SDH 01/01		DS713501	
CHECKED		CHANGE LETTER A	
DRAFTING APPROVAL		ECN NO. 158293	
FINAL APPROVAL		SHEET 2 OF 8	



EMERGENCY SOURCE CIRCUITS

ADDITIONAL CIRCUITS

EMERGENCY



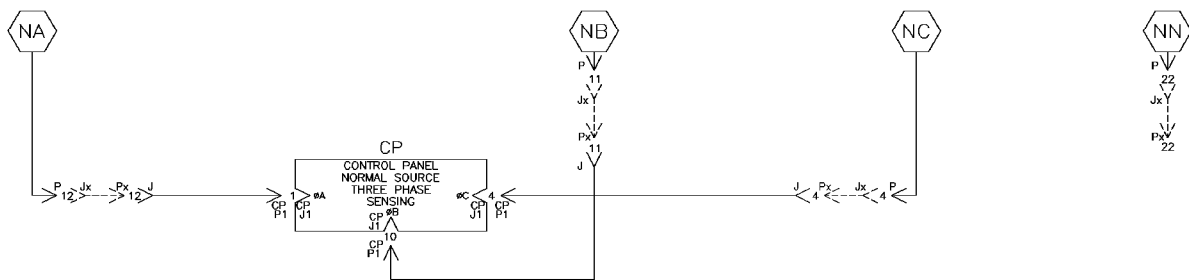
LOAD TERMINAL CIRCUITS

LOAD

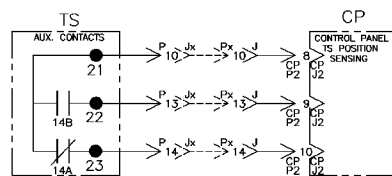


NORMAL SOURCE CIRCUITS

NORMAL



CONTROL CIRCUITS



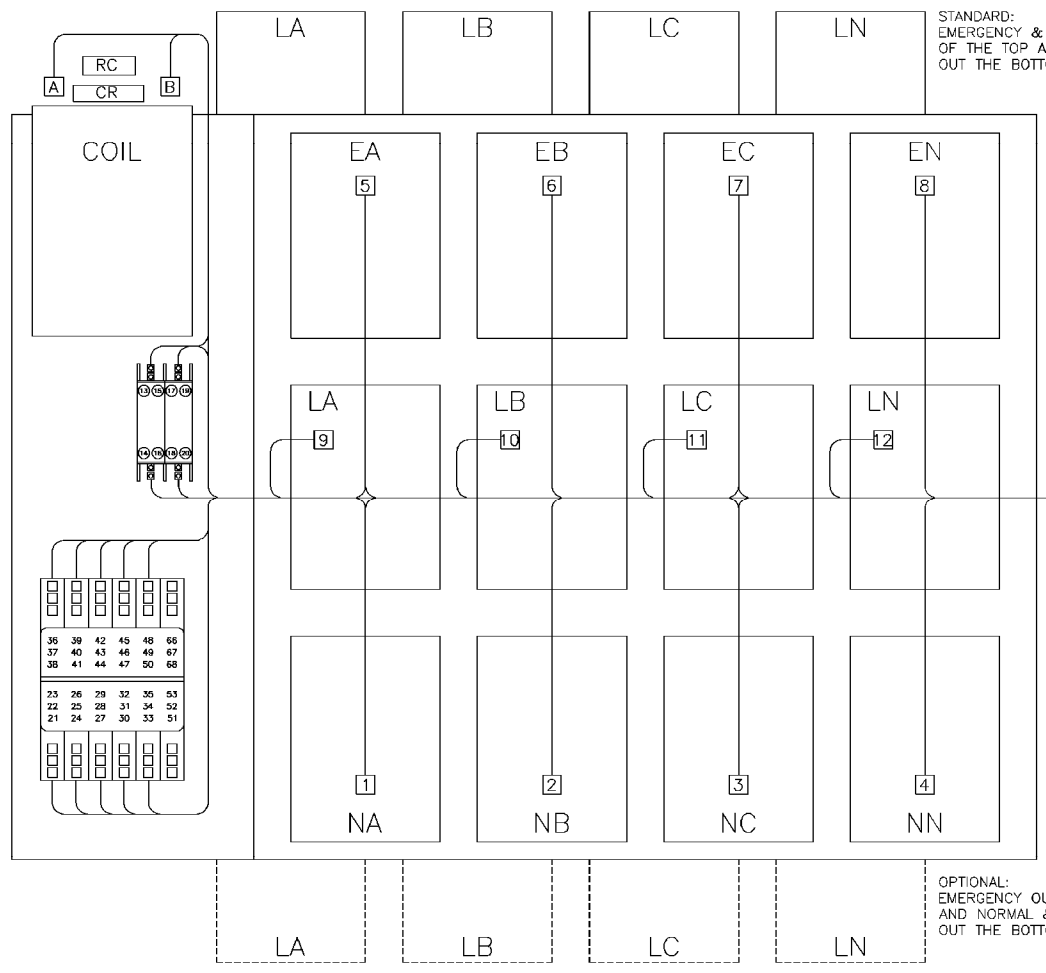
PROJECT NAME:		156547		BWM WK		7/24/01	
WIRING DIAGRAM		156547		SDH SDH		01/01	
7000 SERIES (H7ATS)		ISSUE		SUBSIDIARY DISTRIBUTION			
GROUP 5 CONTROLS		CHANGE LETTER		FCN NO.		BY APP. DATE	
THIRD ANGLE PROJECTION		AE		AN		AM	
		CH		AV		AA	
		AG		AP		AC	
				AS		AL	
				AR		AS	
				AT		AU	
				AV		AW	
				AX		AY	
				AZ		BA	
				BB		BC	
				BD		BE	
				BF		BG	
				BH		BI	
				BJ		BK	
				BL		BM	
				BN		BO	
				BP		BQ	
				BR		BS	
				BT		BU	
				BV		BW	
				BX		BY	
				BZ		CA	
				CB		CC	
				CD		CE	
				CF		CG	
				CH		CI	
				CJ		CK	
				CL		CM	
				CN		CO	
				CP		CQ	
				CR		CS	
				CT		CU	
				CV		CW	
				CX		CY	
				CZ		DA	
				DB		DC	
				DD		DE	
				DF		DG	
				DH		DI	
				DJ		DK	
				DL		DM	
				DN		DO	
				DP		DQ	
				DR		DS	
				DT		DU	
				DV		DW	
				DX		DY	
				DZ		EA	
				EB		EC	
				ED		EE	
				EF		EG	
				EH		EI	
				EJ		EK	
				EL		EM	
				EN		EO	
				EP		EQ	
				ER		ES	
				ET		EU	
				EV		EW	
				EX		EY	
				EZ		FA	
				FB		FC	
				FD		FE	
				FF		FG	
				FH		FI	
				FJ		FK	
				FL		FM	
				FN		FO	
				FP		FQ	
				FR		FS	
				FT		FU	
				FV		FW	
				FX		FY	
				FZ		GA	
				GB		GC	
				GD		GE	
				GF		GG	
				GH		GI	
				GJ		GK	
				GL		GM	
				GN		GO	
				GP		GQ	
				GR		GS	
				GT		GU	
				GV		GW	
				GX		GY	
				GZ		HA	
				HB		HC	
				HD		HE	
				HF		HG	
				HH		HI	
				HJ		HK	
				HL		HM	
				HN		HO	
				HP		HQ	
				HR		HS	
				HT		HU	
				HV		HW	
				HX		HY	
				HZ		IA	
				IB		IC	
				ID		IE	
				IF		IG	
				IH		II	
				IJ		IK	
				IL		IM	
				IN		IO	
				IP		IQ	
				IR		IS	
				IT		IU	
				IV		IW	
				IX		IY	
				IZ		JA	
				JB		JC	
				JD		JE	
				JF		JG	
				JH		JI	
				JJ		JK	
				JL		JM	
				JN		JO	
				JP		JQ	
				JR		JS	
				JT		JU	
				JV		JW	
				JX		JY	
				JZ		KA	
				KB		KC	
				KD		KE	
				KF		KG	
				KH		KI	
				KJ		KK	
				KL		KM	
				KN		KO	
				KP		KQ	
				KR		KS	
				KT		KU	
				KV		KW	
				KX		KY	
				KZ		LA	
				LB		LC	
				LD		LE	
				LF		LG	
				LH		LI	
				LJ		LK	
				LL		LM	
				LN		LO	
				LP		LQ	
				LR		LS	
				LT		LU	
				LV		LW	
				LX		LY	
				LZ		MA	
				MB		MC	
				MD		ME	
				MF		MG	
				MH		MI	
				MJ		MK	
				ML		MM	
				MN		MO	
				MP		MQ	
				MR		MS	
				MT		MU	
				MV		MW	
				MX		MY	
				MZ		NA	
				NB		NC	
				ND		NE	
				NF		NG	
				NH		NI	
				NJ		NK	
				NL		NM	
				NN		NO	
				NP		NQ	
				NR		NS	
				NT		NU	
				NV		NW	
				NX		NY	
				NZ		OA	
				OB		OC	
				OD		OE	
				OF		OG	
				OH		OI	
				OJ		OK	
				OL		OM	
				ON		OO	
				OP		OQ	
				OR		OS	
				OT		OU	
				OV		OW	
				OX		OY	
				OZ		PA	
				PB		PC	
				PD		PE	
				PF		PG	
				PH		PI	
				PJ		PK	
				PL		PM	
				PN		PO	
				PP		PQ	
				PR		PS	
				PT		PU	
				PV		PW	
				PX		PY	
				PZ		QA	
				QB		QC	
				QD		QE	
				QF		QG	
				QH		QI	
				QJ		QK	
				QL		QM	
				QN		QO	
				QP		QQ	
				QR		QS	
				QT		QU	
				QV		QW	
				QX		QY	
				QZ		RA	
				RB		RC	
				RD		RE	
				RF		RG	
				RH		RI	
				RJ		RK	
				RL		RM	
				RN		RO	
				RP		RQ	
				RR		RS	
				RT		RU	
				RV		RW	
				RX		RY	
				RZ		SA	
				SB		SC	
				SD		SE	
				SF		SG	
				SH		SI	
				SJ		SK	
				SL		SM	
				SN		SO	
				SP		SQ	
				SR		SS	
				ST		SU	
				SV		SW	
				SX		SY	
				SZ		TA	
				TB		TC	
				TD		TE	
				TF		TG	
				TH		TI	
				TJ		TK	
				TL		TM	
				TN		TO	
				TP		TQ	
				TR		TS	
				TT		TU	
				TV		TW	
				TX		TY	
				TZ		UA	
				UB		UC	
				UD		UE	
				UF		UG	
				UH		UI	

PHYSICAL DIAGRAM

ENCLOSURE

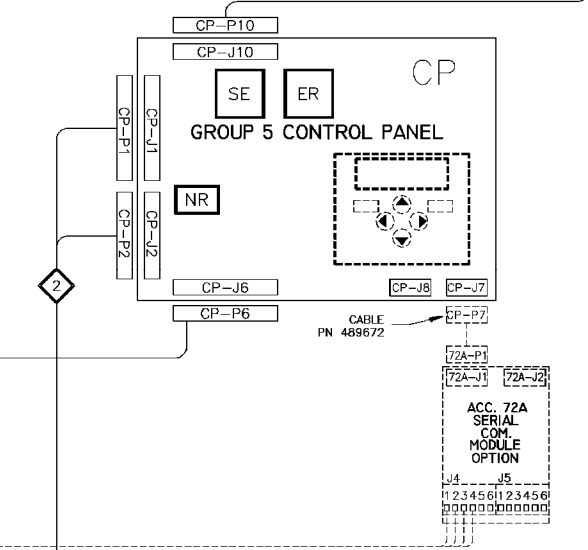
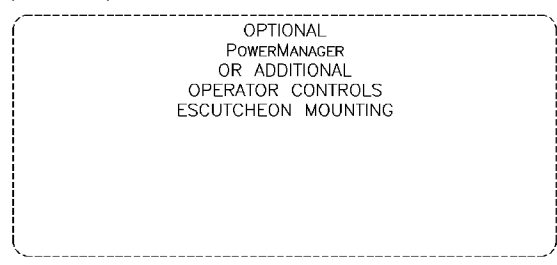
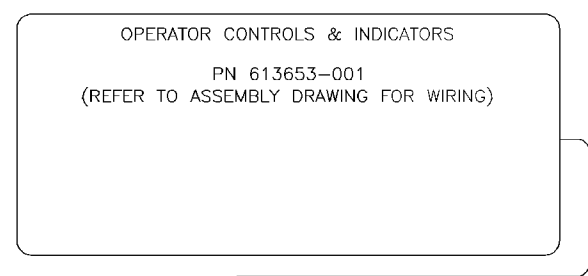
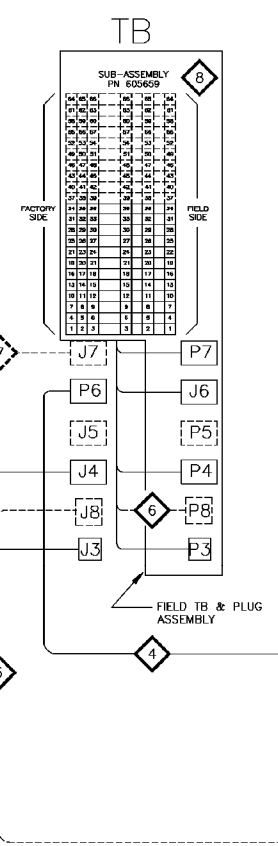
TOP DOOR (INSIDE)

TS (TRANSFER SWITCH)  
VIEW FROM INSIDE FRONT

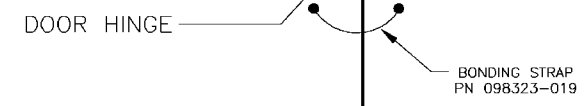
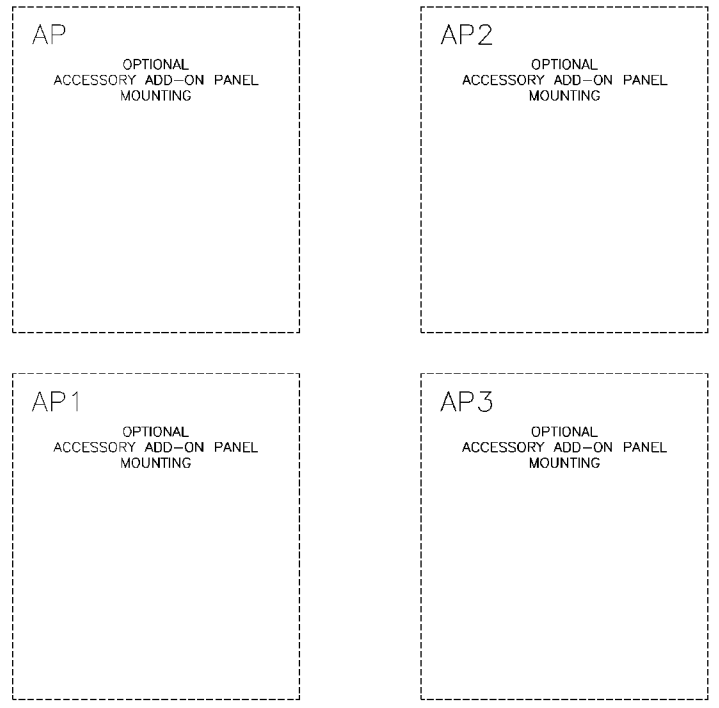


STANDARD:  
EMERGENCY & LOAD OUT  
OF THE TOP AND NORMAL  
OUT THE BOTTOM.

OPTIONAL:  
EMERGENCY OUT OF THE TOP  
AND NORMAL & LOAD  
OUT THE BOTTOM.



BOTTOM DOOR (INSIDE)



PROJECT NAME		WIRING DIAGRAM		7000 SERIES (H7ATS) GROUP 5 CONTROLS	
BY	DATE	MANUFACTURING TOLERANCES TO BE IN ACCORDANCE WITH ASQD PROCEDURE MP-1-003 FOR PLASTIC PARTS SEE MP-1-055		ASSEM. REF. NO.	
DRAWN BY	SDH	DATE	01/01	PROPERTY OF ASCO POWER TECHNOLOGIES. USE PERMITTED FOR OUR WORK ONLY. ALL RIGHTS OF DESIGN OR INVENTION ARE RESERVED.	
CHECKED		SCALE		ACAD FILE	
DRAFTING APPROVAL		SIZE		DWG. NO.	
FINAL APPROVAL	SDH	DATE	01/01	DS713501	
CHANGE LETTER		CON. NO.		SHEET 5 OF 6	
A		158293		BWM WK 7/24/01	
-		156547		SDH SDH 01/01	
-		ISSUE		SUBSIDIARY DISTRIBUTION	
-		-		AE <input type="checkbox"/> AN <input type="checkbox"/> AM <input type="checkbox"/> AL <input type="checkbox"/> AL <input type="checkbox"/>	
-		-		CH <input type="checkbox"/> AV <input type="checkbox"/> AS <input type="checkbox"/> PS <input type="checkbox"/> AR <input type="checkbox"/>	
-		-		AG <input type="checkbox"/> AP <input type="checkbox"/> AS <input type="checkbox"/> AS <input type="checkbox"/>	
-		-		COMPUTER GENERATED DRAWING	
-		-		SCALE	
-		-		ACAD FILE	
-		-		ASCO	
-		-		ASCO POWER TECHNOLOGIES, L.P.	
-		-		FLORHAM PARK, NEW JERSEY 07932 U.S.A.	

