

# THREE PHASE WIRING FOR ASCO 7000 SERIES MANUALLY OPERATED TRANSFER SWITCH TYPE 7MTS RATED 1000-3000 AMPERES

## FEATURES, OPERATION, & NOTES

### SIGNALS & AUXILIARIES

A. FEATURE 14A & 14B - TRANSFER SWITCH AUXILIARY POSITION INDICATING CONTACTS. ONE (1) FORM A CONTACTS TO INDICATE CONNECTION OF THE TRANSFER SWITCH TO NORMAL (14A) AND ONE (1) FORM A CONTACTS TO INDICATE CONNECTION OF THE TRANSFER SWITCH TO EMERGENCY (14B). CONTACTS CONNECTED TO THE FIELD CONNECTIONS TERMINAL BLOCK (TB). CONTACTS RATED 10 AMPS, 32VDC, 250 VAC.

### INDICATORS

B. FEATURES 9A & 9B - TRANSFER SWITCH POSITION INDICATORS.  
 FEATURE 9A: TRANSFER SWITCH CLOSED ON NORMAL (GREEN LED)  
 FEATURE 9B: TRANSFER SWITCH CLOSED ON EMERGENCY (RED LED)

C. FEATURES 9C & 9D - SOURCE ACCEPTANCE INDICATORS.  
 FEATURE 9C: NORMAL SOURCE AVAILABLE (GREEN LED)  
 FEATURE 9D: EMERGENCY SOURCE AVAILABLE (RED LED)

### OPERATION

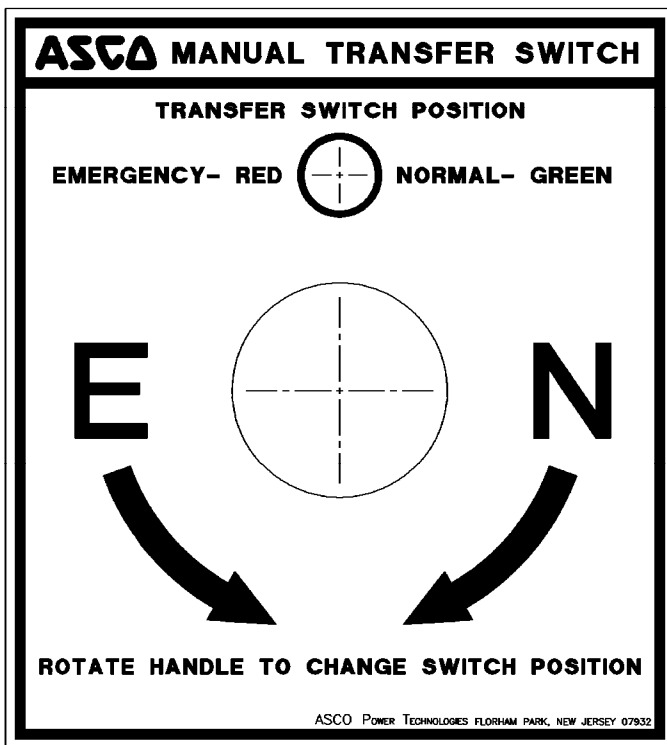
OBSERVE THE INDICATOR WINDOW. IF THE WINDOW IS GREEN THE TRANSFER SWITCH IS CONNECTED TO THE NORMAL SOURCE. RED INDICATES THE TRANSFER SWITCH IS CONNECTED TO THE EMERGENCY SOURCE.

TRANSFER TO EMERGENCY:  
 - GRASP MANUAL HANDLE FIRMLY WITH BOTH HANDS AND TURN HANDLE COUNTERCLOCKWISE.  
 - OBSERVE THE INDICATOR WINDOW TO CONFIRM TRANSFER.

TRANSFER TO NORMAL:  
 - GRASP MANUAL HANDLE FIRMLY WITH BOTH HANDS AND TURN HANDLE CLOCKWISE.  
 - OBSERVE THE INDICATOR WINDOW TO CONFIRM TRANSFER.

### GENERAL NOTES

- SWITCH SHOWN DE-ENERGIZED AND CONNECTED TO THE NORMAL SOURCE.
- DEVICE SYMBOLS AND DESIGNATIONS ARE IN ACCORDANCE WITH NEMA PUBLICATION ICS 1-1983, PART 1-101A.
- ALL WIRING IS #16 AWG, TINNED, STRANDED COPPER UNLESS OTHERWISE INDICATED.
- O ON TERMINAL BLOCKS INDICATES AVAILABLE FIELD CONNECTION POINT.
- ON TERMINAL BLOCKS INDICATES FACTORY CONNECTION POINT.
- CONTROL AND ACCESSORY WIRING IS ROUTED IN ACCORDANCE WITH ASCO ASSEMBLY PROCEDURE GS451261.
- AN OPERATOR'S MANUAL IS FURNISHED WITH EACH TRANSFER SWITCH. REFER TO THIS PUBLICATION PRIOR TO INSTALLATION AND OPERATION OF THE UNIT.



BASE CATALOG NUMBER				CATALOG NUMBER SUFFIXES			EXPLANATION OF CATALOG NUMBER CODES							
CATALOG TYPE	NEUTRAL TYPE	PHASE POLES	AMPS	VOLT CODE	CONTROLLER	OPTIONAL ACCESSORY	ENCLOSURE CODE	NEUTRAL TYPE		VOLTAGE CODES 3 PHASE (3 OR 4 WIRE) 50, 60, 60 Hz		ENCLOSURE CODES		
								CODE	DESCRIPTION	CODE	NOMINAL VOLTAGE	CODE	TYPE	DESCRIPTION
7MTS	A B C	3	1000 1200 1600 2000 2600 3000	BLANK		X	C E F G H J K L	BLANK	NONE A SOLID B SWITCHING C OVERLAPPING	BLANK	BLANK	C E F G H J K L	1 2 3R 4 4X 4X 7 12	OPEN TYPE (NO ENCLOSURE) GENERAL PURPOSE, INDOOR INDOOR, WATER & DUST RESISTANT OUTDOOR, RAINPROOF, SLEET & ICE RESISTANT INDOOR/OUTDOOR, WATERTIGHT & DUSTTIGHT TYPE 4 PLUS CORROSION RESISTANCE (STAINLESS STEEL) TYPE 4 PLUS CORROSION RESISTANCE (FIBERGLASS) EXPLOSION PROOF INDOOR, INDUSTRIAL ENVIRONMENTS, OILTIGHT & DUSTTIGHT
	BLANK FOR NONE				BLANK FOR 7MTS	BLANK FOR NONE	BLANK FOR OPEN TYPE							

CATALOG NUMBER \_\_\_\_\_  
 CERTIFIED TO  
**ASCO**® S.O. \_\_\_\_\_  
 BY \_\_\_\_\_  
 DATE \_\_\_\_\_

FORM REV C

PROJECT NAME: \_\_\_\_\_

WIRING DIAGRAM  
 7000 SERIES (7MTS)  
 MANUALLY OPERATED TS

THIRD ANGLE PROJECTION

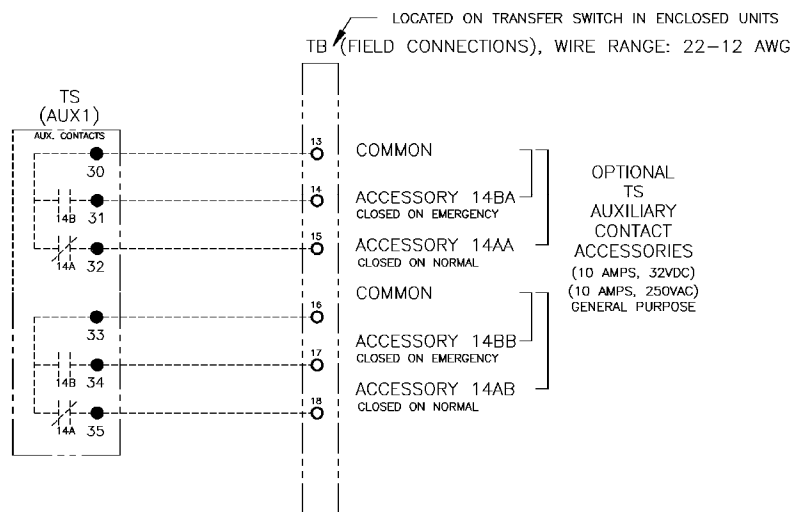
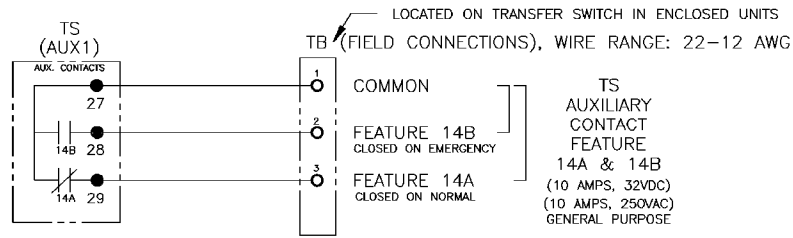
MANUFACTURING TOLERANCES TO BE IN ACCORDANCE WITH ASCO PROCEDURE MP-1-003. FOR PLASTIC PARTS SEE MP-1-005.

PROPERTY OF ASCO POWER TECHNOLOGIES. USE PERMITTED FOR OUR WORK ONLY. ALL RIGHTS OF DESIGN OR INVENTION ARE RESERVED.

ASCO POWER TECHNOLOGIES, L.P.  
 FLORHAM PARK, NEW JERSEY 07932 U.S.A.

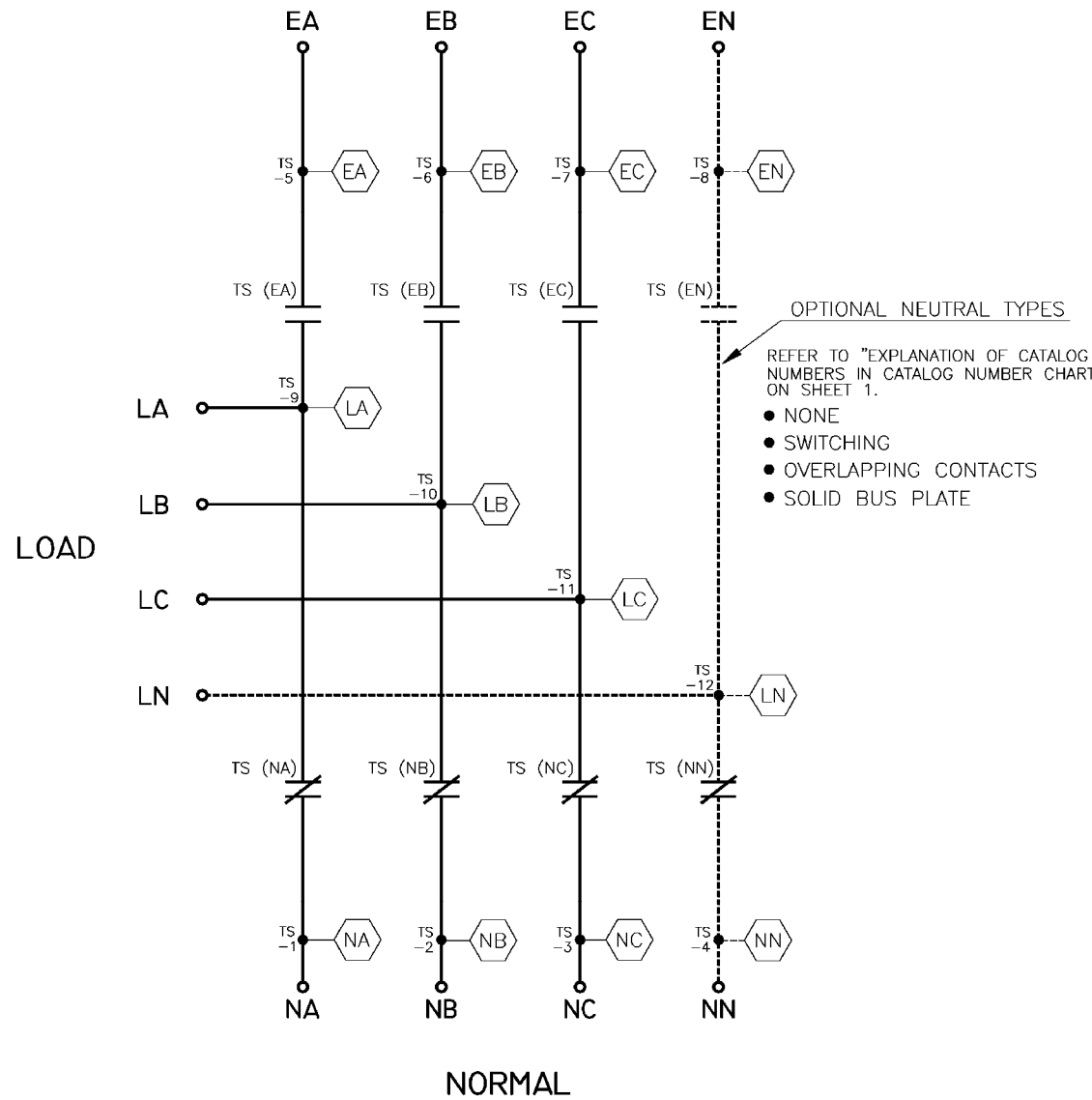
C	157978	WK	BK	6/19/01
B	157219	BK	BK	4/01
A	156289	BK	BK	03/12/01
-	156284	JPB	BK	01/22/00
				ISSUE
CHANGE LETTER	ECN NO.	BY	APP.	DATE
SUBSIDIARY DISTRIBUTION				
AE	AN	AW	AX	AY
CH	AV	AK	AS	AR
AG	AP	AC	AD	AE
COMPUTER GENERATED DRAWING				
SCALE: _____ ACAD FILE				
SIZE: _____ DWG. NO.				
DS1716557				
CHANGE LETTER	ECN NO.	157978	SHEET 1 OF 3	

FIELD CONNECTIONS

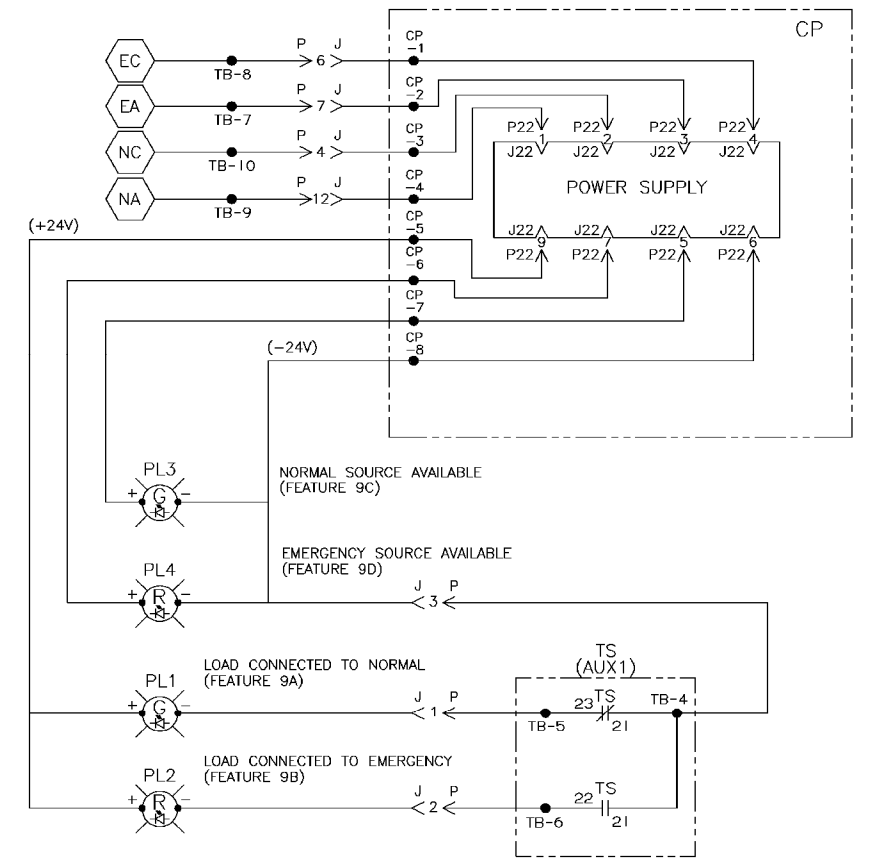


MAIN POWER POLES

EMERGENCY



CIRCUIT



C	157978	WK	BK	6/19/01
SEE ECN				
B	137219	BK	BK	4/01
SEE ECN				
A	156289	BK	BK	03/12/01
SEE ECN				
-	156284	JPB	BK	01/22/00
ISSUE				
CHANGE LETTER	ECN NO.	BY	APP.	DATE

PROJECT NAME: WIRING DIAGRAM

7000 SERIES (7MTS) MANUALLY OPERATED TS

THIRD ANGLE PROJECTION

BY	DATE	MANUFACTURING TOLERANCES TO BE IN ACCORDANCE WITH ASCO PROCEDURE MP-1-003. FOR PLASTIC PARTS SEE MP-1-055.
DRAWN BY JPB	11/13/00	
CHECKED BY WK	2/01	
DRAFTING APPROVAL		
FINAL APPROVAL	BK	1/18/01

ASCO POWER TECHNOLOGIES, L.P.  
FLORHAM PARK, NEW JERSEY 07932 U.S.A.

SCALE: ACAD FILE

DS716557

CHANGE LETTER C ECN NO. 157978 SHEET 2 OF 3

