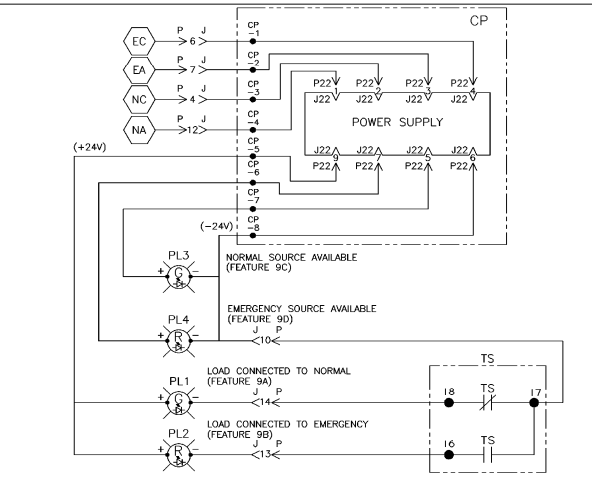
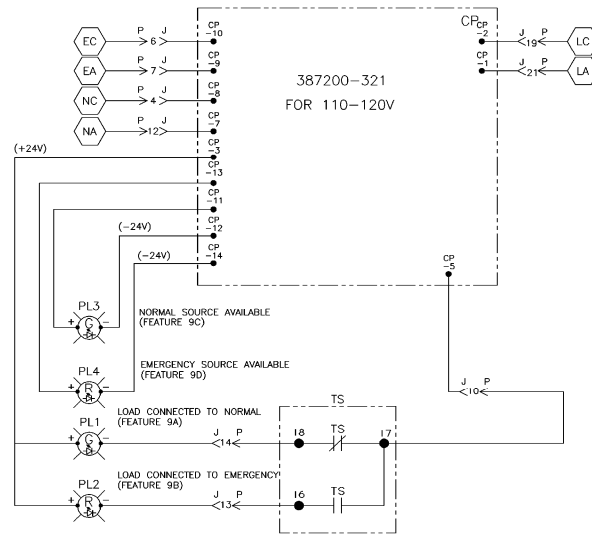
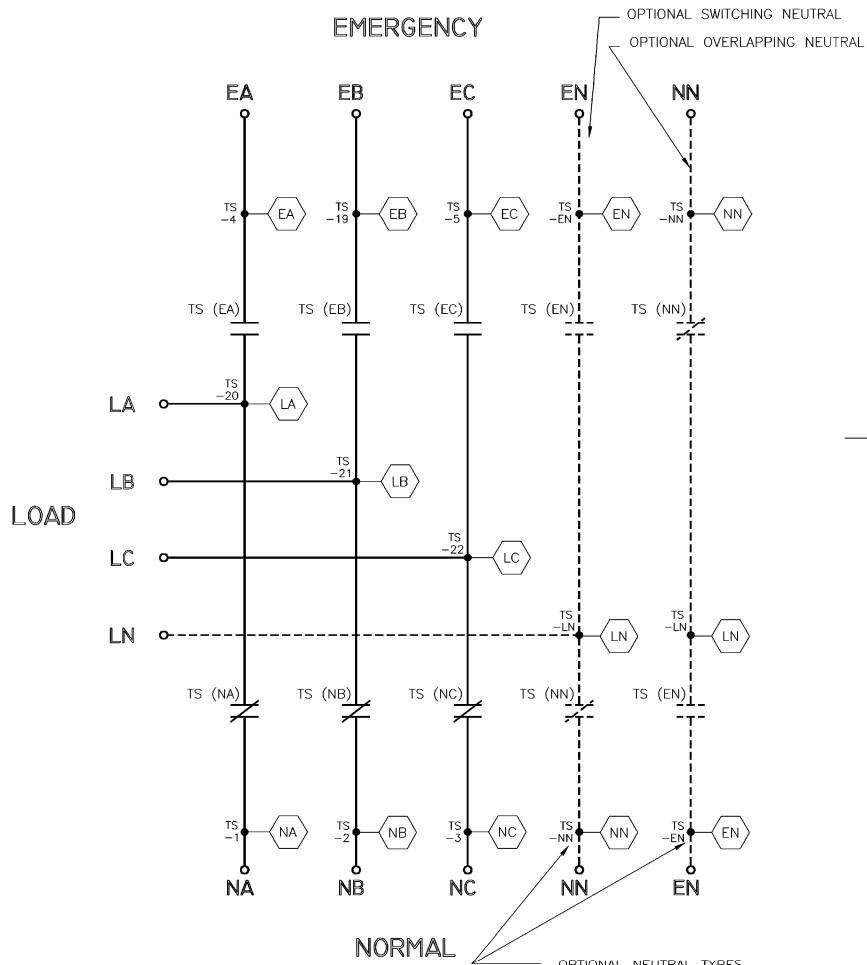
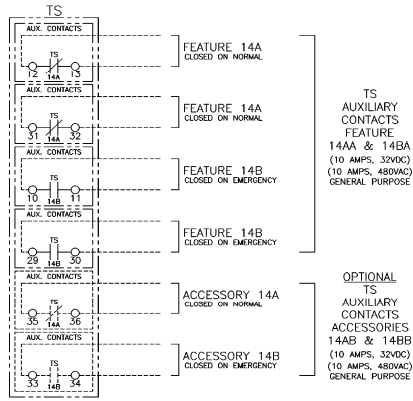




FIELD CONNECTIONS

MAIN POWER POLES

CIRCUIT



NOTE:  
MTS SHOWN CLOSED ON NORMAL SOURCE.

NORMAL

OPTIONAL NEUTRAL TYPES

REFER TO "EXPLANATION OF CATALOG NUMBER CODES" IN CATALOG NUMBER CHART ON SHEET 1.

- NONE
- SOLID BUS PLATE
- SWITCHING
- OVERLAPPING CONTACTS

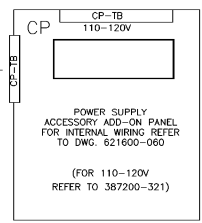
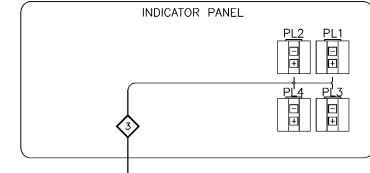
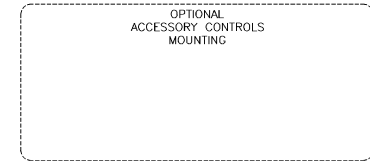
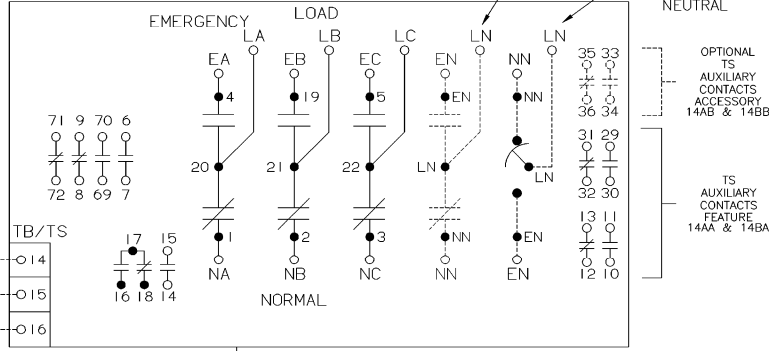
PROJECT NAME:		164537 [DWM] WK 08/08/03	
WIRING DIAGRAM		SEE EON	
7000 SERIES (7MTS)		SEE EON	
MANUALLY OPERATED TS		SEE EON	
DATE: 12/19/02	MANUFACTURING REQUIREMENTS TO BE IN ACCORDANCE WITH ASCO PROCESSING SPEC. 0003.	ISSUE NO.:	162203   BK   WK   12/19/02
DRAWN BY: DUE	12/19/02	ASSIGN. REF. NO.:	
CHECKED BY: WK	12/19/02	PROPERTY OF ASCO POWER TECHNOLOGIES. USE PERMITTED FOR OUR WORK ONLY. ALL RIGHTS OF DESIGN OR INVENTION ARE RESERVED.	SCALE: 1:1
DATE: 12/19/02	ASCO POWER TECHNOLOGIES, L.P.	FLUSHAM PARK, NEW JERSEY 07033 U.S.A.	FILE
ASCO		DS735598	2 OF 3

PHYSICAL DIAGRAM

ENCLOSURE

DOOR (INSIDE)

30, 70, 100, 150, 200, & 230 AMPS



ENGINE CONTROL CONTACTS  
FEAT 7  
FEAT 8

SEE NOTE 1

WIRE No.	HARNESS LOCATOR	CLR	AWG
1	TS-8 P-1		20
2	TS-A P-2		
3	TS-6 P-3		
4	TS-3 P-4		
5	TS-5 P-5		
6	TS-9 P-6		
7	TS-4 P-7		
8	TB/TS-14 P-8		
9	TB/TS-15 P-9		
10	TS-17 P-10		
11	TS-2 P-11		
12	TS-1 P-12		
13	TS-16 P-13		
14	TS-18 P-14		
15	TS-20 P-15		
16	TS-22 P-16		
17	TS-4 TS-9		
18	TS-7 TS-1		
20	TS-11 TS-9		
21	TS-5 TS-7		
8	TS-14 TB/TS-14		
9	TS-15 TB/TS-15		
24	TB/TS-18 P-17		
25	TS-19 P-18		
26	TS-20 P-18		
27	TS-21 P-20		
28	TS-22 P-21		
29	TS-NN P-22		
30	EN P-23		
31	TS-LB P-24		
REMOVE WIRES			
ADD WIRES			

WIRE No.	WIRING (J, TB)	CLR	AWG
4	J-4 CP-TB-3		16
6	J-6 CP-TB-1		
7	J-7 CP-TB-2		
10	J-10 CP-TB-8		
12	J-12 CP-TB-4		
13	J-13 PL1(-)		
14	J-14 PL1(-)		

WIRE No.	WIRING (INDICATORS)	CLR	AWG
35	CP-5 PL2(+)		16
36	CP-6 PL4(+)		
37	CP-11 PL3(+)		
10	CP-2 PL3(-)		
35	PL1(+), PL2(+)		
10	PL4(-), PL3(-)		

FOR 110 120V ONLY, CONTROL PANEL: 387200-321

WIRE No.	WIRING (J, CP-TB) FOR 110-120V	CLR	AWG
4	J-4 CP-TB-8		16
6	J-6 CP-TB-10		
7	J-7 CP-TB-9		
10	J-10 CP-TB-5		
12	J-12 CP-TB-7		
13	J-13 PL2(-)		
14	J-14 PL1(-)		
26	J-19 CP-TB-2		
27	J-21 CP-TB-1		

WIRE No.	WIRING (INDICATORS) FOR 110-120V	CLR	AWG
35	CP-5 PL2(+)		16
36	CP-13 PL4(+)		
37	CP-11 PL3(+)		
35	CP-2 PL3(-)		
35	PL1(+), PL2(+)		
39	CP-14 PL4(-)		

OPERATOR CONTROLS

ID	DESCRIPTION
PL1	TS CONNECTED TO NORMAL (GREEN)
PL2	TS CONNECTED TO EMERGENCY (RED)
PL3	NORMAL SOURCE AVAILABLE (GREEN)
PL4	EMERGENCY SOURCE AVAILABLE (RED)

NOTE 1  
DEAD END WIRE #1  
DEAD END WIRE #2

(OPTIONAL)  
SOLID BUS PLATE  
NEUTRAL

PROJECT NAME:	WIRING DIAGRAM	164537	DRW	WK	08/08/03				
WIRING 7000 SERIES (7MTS) MANUALLY OPERATED TS		164167	MM	WK	06/24/03				
		162303	BK	WK	12/19/02				
<table border="0"> <tr> <td>ISSUE</td> <td>DATE</td> </tr> <tr> <td>—</td> <td>—</td> </tr> </table>						ISSUE	DATE	—	—
ISSUE	DATE								
—	—								
<table border="0"> <tr> <td>THIRD ANGLE PROJECTION</td> <td> <input type="checkbox"/> 1W  <input type="checkbox"/> 2W  <input type="checkbox"/> 3W  <input type="checkbox"/> 4W                 </td> </tr> <tr> <td></td> <td> <input type="checkbox"/> 1E  <input type="checkbox"/> 2E  <input type="checkbox"/> 3E  <input type="checkbox"/> 4E                 </td> </tr> </table>	THIRD ANGLE PROJECTION	<input type="checkbox"/> 1W <input type="checkbox"/> 2W <input type="checkbox"/> 3W <input type="checkbox"/> 4W		<input type="checkbox"/> 1E <input type="checkbox"/> 2E <input type="checkbox"/> 3E <input type="checkbox"/> 4E	<table border="0"> <tr> <td>SCALE</td> <td>1:1</td> </tr> <tr> <td>ACAD</td> <td>FILE</td> </tr> </table>	SCALE	1:1	ACAD	FILE
THIRD ANGLE PROJECTION	<input type="checkbox"/> 1W <input type="checkbox"/> 2W <input type="checkbox"/> 3W <input type="checkbox"/> 4W								
	<input type="checkbox"/> 1E <input type="checkbox"/> 2E <input type="checkbox"/> 3E <input type="checkbox"/> 4E								
SCALE	1:1								
ACAD	FILE								
<table border="0"> <tr> <td>COMPUTER GENERATED DRAWING</td> <td> <input type="checkbox"/> 1W  <input type="checkbox"/> 2W  <input type="checkbox"/> 3W  <input type="checkbox"/> 4W                 </td> </tr> <tr> <td></td> <td> <input type="checkbox"/> 1E  <input type="checkbox"/> 2E  <input type="checkbox"/> 3E  <input type="checkbox"/> 4E                 </td> </tr> </table>	COMPUTER GENERATED DRAWING	<input type="checkbox"/> 1W <input type="checkbox"/> 2W <input type="checkbox"/> 3W <input type="checkbox"/> 4W		<input type="checkbox"/> 1E <input type="checkbox"/> 2E <input type="checkbox"/> 3E <input type="checkbox"/> 4E	<table border="0"> <tr> <td>SIZE</td> <td>DWG NO.</td> </tr> <tr> <td>DS735598</td> <td></td> </tr> </table>	SIZE	DWG NO.	DS735598	
COMPUTER GENERATED DRAWING	<input type="checkbox"/> 1W <input type="checkbox"/> 2W <input type="checkbox"/> 3W <input type="checkbox"/> 4W								
	<input type="checkbox"/> 1E <input type="checkbox"/> 2E <input type="checkbox"/> 3E <input type="checkbox"/> 4E								
SIZE	DWG NO.								
DS735598									
<table border="0"> <tr> <td>ASCO</td> <td>ASCO Power Technologies, L.P.</td> </tr> <tr> <td></td> <td>FUTURAMA PARK, NEW JERSEY 07033 U.S.A.</td> </tr> </table>	ASCO	ASCO Power Technologies, L.P.		FUTURAMA PARK, NEW JERSEY 07033 U.S.A.	<table border="0"> <tr> <td>ISSUE</td> <td>DATE</td> </tr> <tr> <td>164537</td> <td>08/08/03</td> </tr> </table>	ISSUE	DATE	164537	08/08/03
ASCO	ASCO Power Technologies, L.P.								
	FUTURAMA PARK, NEW JERSEY 07033 U.S.A.								
ISSUE	DATE								
164537	08/08/03								