

# THREE PHASE WIRING FOR ASCO® 7000 SERIES AUTOMATIC DELAYED TRANSITION TRANSFER SWITCHES TYPE J7ADTS RATED 150, 260, 400, & 600 AMPERES

## FEATURES, SETTINGS, OPERATION, ACCESSORIES & NOTES

THE FOLLOWING FEATURES AND RELATED SETTINGS ARE PART OF THE GROUP 5 CONTROL PANEL'S USER CONFIGURABLE PARAMETERS. FOR DETAILED INFORMATION REGARDING THE CONFIGURATION OF THESE PARAMETERS AND OTHER FEATURES OF THE GROUP 5 CONTROL PANEL, REFER TO THE GROUP 5 CONTROL PANEL FOR ASCO® 7000 SERIES AUTOMATIC TRANSFER SWITCHES USER'S GUIDE (PART NO. 381333-126) PROVIDED WITH EVERY 7000 SERIES AUTOMATIC TRANSFER SWITCH.

THE NOMINAL OPERATING VOLTAGE & FREQUENCY IS PRE-PROGRAMMED AT THE FACTORY BASED ON THE NAMEPLATE DATA PRINTED ON THE TRANSFER SWITCH & CONTROL PANEL NAMEPLATES.

### VOLTAGE & FREQUENCY SENSING

THE FOLLOWING SETTINGS ARE EXPRESSED AS A PERCENTAGE OF THE CONTROL PANEL'S NOMINAL VOLTAGE SETTING UNLESS STATED OTHERWISE. ALL SETTINGS ARE ADJUSTABLE IN INCREMENTS OF 1%.

A. RMS VOLTAGE SENSING ON ALL PHASES OF THE NORMAL & EMERGENCY SOURCES.

PARAMETER	RANGE OF SETTINGS	DEFAULT SETTING
NORMAL VOLTAGE DROPOUT	70-98%	85%
NORMAL VOLTAGE PICKUP	85-100%	90%
NORMAL OVER VOLTAGE TRIP	102-115%	OFF
NORMAL VOLTAGE UNBALANCE	YES/NO	NO
NORMAL VOLTAGE UNBALANCE DROPOUT	5-20% OF AVG. NORMAL VOLTAGE	20% (if ON)
NORMAL VOLTAGE UNBALANCE PICKUP	3-18% OF AVG. NORMAL VOLTAGE	10% (if ON)
EMERGENCY VOLTAGE DROPOUT	70-98%	75%
EMERGENCY VOLTAGE PICKUP	85-100%	90%
EMERGENCY OVER VOLTAGE TRIP	102-115%	OFF
EMERGENCY VOLTAGE UNBALANCE	YES/NO	NO
EMERGENCY VOLTAGE UNBALANCE DROPOUT	5-20% OF AVG. EMERGENCY VOLTAGE	20% (if ON)
EMERGENCY VOLTAGE UNBALANCE PICKUP	3-18% OF AVG. EMERGENCY VOLTAGE	10% (if ON)

B. FREQUENCY SENSING OF THE NORMAL & EMERGENCY SOURCES.

PARAMETER	RANGE OF SETTINGS	DEFAULT SETTING
NORMAL FREQUENCY DROPOUT	85-98%	90%
NORMAL FREQUENCY PICKUP	90-100%	95%
NORMAL OVER FREQUENCY TRIP	102-110%	OFF
EMERGENCY FREQUENCY DROPOUT	85-98%	90%
EMERGENCY FREQUENCY PICKUP	90-100%	95%
EMERGENCY OVER FREQUENCY TRIP	102-110%	OFF

### TIME DELAYS

THE FOLLOWING TIME DELAY SETTINGS ALL HAVE AN ADJUSTABLE RANGE OF 0-60 min 59 sec UNLESS STATED OTHERWISE. ADJUSTABLE IN INCREMENTS OF 1 sec.

NOTE: SOME TIME DELAYS MAY BE EFFECTED BY CUSTOMER REQUESTED ACCESSORIES PROVIDED WITH THE UNIT. REFER TO THE DESCRIPTIONS PROVIDED UNDER THE "ACCESSORIES" NOTES ON THIS PAGE.

FEATURE	NAME	DEFAULT SETTING
1C	NORMAL SOURCE FAILURE TO ENGINE START	1 sec
2B	TRANSFER TO EMERGENCY ON AVAILABILITY OF EMERGENCY SOURCE	0 sec
1F	EMERGENCY SOURCE FAILURE RETRANSFER (NORMAL SOURCE AVAILABLE)	0 sec
2E	ENGINE COOLDOWN FOLLOWING RETRANSFER TO NORMAL	5 min
3A	RETRANSFER TO NORMAL (NORMAL FAILURE MODE)	30 min
3A	RETRANSFER TO NORMAL (TEST MODE)	30 sec
-	DELAYED TRANSFER (LOAD "OFF" TIME), [0-5 min 59 sec]	3 sec

DESCRIPTIONS OF TIME DELAYS:

FEAT. 1C - DELAY ON NORMAL SOURCE OUTAGE. STARTS ON FAILURE OF NORMAL SOURCE. RESETS IF NORMAL SOURCE IS ACCEPTED BEFORE EXPIRATION. INHIBITS ENGINE STARTING AND AUTOMATIC TRANSFER UNTIL EXPIRATION.

FEAT. 2B - DELAY PRIOR TO TRANSFER TO THE EMERGENCY SOURCE. DELAY STARTS ON EXPIRATION OF FEAT. 1C AND WHEN THE EMERGENCY SOURCE HAS BEEN ACCEPTED. DELAY RESETS IF THE EMERGENCY SOURCE FAILS PRIOR TO EXPIRATION. ON EXPIRATION, TRANSFER TO EMERGENCY IS INITIATED UNLESS THE NORMAL SOURCE HAS RECOVERED AND THE "COMMIT TO TRANSFER" FEATURE IS SET TO "NO" COMMIT. PROVIDES A PERIOD FOR EMERGENCY SOURCE STABILIZATION OR STAGING OF MULTIPLE TRANSFER SWITCH CONTROLLED LOADS TO THE EMERGENCY SOURCE.

FEAT. 1F - DELAY ON RETRANSFER TO NORMAL IN THE EVENT OF EMERGENCY SOURCE FAILURE. DELAY BEGINS ON FAILURE OF THE EMERGENCY SOURCE IF THE NORMAL SOURCE IS ACCEPTABLE. ON EXPIRATION, RETRANSFER TO NORMAL WILL BE INITIATED.

FEAT. 2E - DELAY ON ENGINE SHUTDOWN (ENGINE COOL DOWN PERIOD). DELAY STARTS FOLLOWING RETRANSFER TO THE NORMAL SOURCE. PROVIDES A PERIOD FOR THE ENGINE-GENERATOR SET TO RUN UNLOADED PRIOR TO SHUTDOWN.

FEAT. 3A - RETRANSFER TO NORMAL DELAY (NORMAL FAILURE MODE) DELAY STARTS WHEN NORMAL SOURCE IS ACCEPTED (FOLLOWING IT'S FAILURE) AND WHILE THE LOAD IS CONNECTED TO EMERGENCY. RESETS IF NORMAL FAILS PRIOR TO EXPIRATION OR IF THE EMERGENCY SOURCE FAILS BEFORE EXPIRATION AND FEAT. 1F EXPIRES (AUTOMATIC BYPASS ON EMERGENCY SOURCE FAILURE). PROVIDES A PERIOD FOR THE NORMAL SOURCE TO STABILIZE PRIOR TO RETRANSFER.

FEAT. 3A - RETRANSFER TO NORMAL DELAY (TEST MODE) DELAY STARTS WHEN THE "TRANSFER TEST" SWITCH IS RESET TO "AUTO" (FOLLOWING A USER INITIATED TRANSFER TEST) AND WHILE THE LOAD IS CONNECTED TO EMERGENCY. RESETS IF NORMAL FAILS PRIOR TO EXPIRATION OR IF THE EMERGENCY SOURCE FAILS BEFORE EXPIRATION AND FEAT. 1F EXPIRES (AUTOMATIC BYPASS ON EMERGENCY SOURCE FAILURE).

DELAYED TRANSFER (LOAD "OFF" TIME) - PROVIDES A USER DEFINABLE PERIOD DURING WHICH THE LOAD IS DISCONNECTED FROM BOTH THE NORMAL AND EMERGENCY SOURCES DURING TRANSFER IN EITHER DIRECTION. THE DELAY ("OFF" PERIOD) BEGINS FOLLOWING THE OPENING OF THE SOURCE CONTACTOR, CN OR CE, CONNECTED TO THE SOURCE FROM WHICH TRANSFER IS BEING MADE. UPON EXPIRATION, CLOSURE OF THE OPPOSITE SOURCE CONTACTOR IS INITIATED.

### ENGINE EXERCISER

THE ENGINE EXERCISER FEATURE PROVIDES A MEANS TO PERFORM AUTOMATIC EXERCISING OF THE ENGINE-GENERATOR SET EITHER WITH OR WITHOUT LOAD TRANSFER.

THE USER CAN PROGRAM UP TO SEVEN DIFFERENT EXERCISE ROUTINES. EACH ROUTINE INCLUDES:

1. ENABLE OR DISABLE THE ROUTINE
2. ENABLE OR DISABLE TRANSFER OF THE LOAD DURING THE ROUTINE
3. SET START TIME OF ROUTINE -  
- TIME OF DAY  
- DAY OF WEEK  
- WEEK OF MONTH (1st, 2nd, 3rd, 4th, ALTERNATE OR ALL)
4. SET THE DURATION OF THE ROUTINE

PARAMETER	RANGE OF SETTING	DEFAULT SETTING
MONTH (CLOCK SET)	JAN FEB MAR APR MAY JUN JUL AUG SEP OCT NOV DEC	CURRENT DATE
DAY	1-31	
YEAR	00-99	
HOUR	0-23	
MINUTE	0-59	
ENABLE ROUTINE (ROUTINE 1-7)	YES/NO	NO
TRANSFER LOAD	YES/NO	NO
START HOUR	0-23	0
START MINUTE	0-59	0
RUN WEEK	ALL, ALTERNATE, 1st, 2nd, 3rd, 4th, 5th	ALL
RUN DAY	SUN MON TUE WED THU FRI SAT	SUN
DURATION HOURS	0-23	0
DURATION MINUTES	0-59	0

### SIGNALS & AUXILIARIES

A. FEATURES 7 & 8- ENGINE START SIGNAL

SIGNAL INITIATED BY DROPOUT OF CONTROL PANEL RELAY (NR) FOLLOWING EXPIRATION OF THE FEATURE 1C TIME DELAY (DELAY TO OVERRIDE MOMENTARY NORMAL SOURCE OUTAGES). FEATURE 7 CLOSURES TO SIGNAL ENGINE START. FEATURE 8 OPENS TO SIGNAL ENGINE START. ENGINE STARTING SIGNAL RESETS FOLLOWING RETRANSFER TO THE NORMAL SOURCE AND EXPIRATION OF THE FEATURE 2E (ENGINE COOL DOWN) TIME DELAY. FEATURES 7 & 8 ARE PROVIDED AS A SINGLE FORM C CONTACT CONNECTED TO THE FIELD CONNECTIONS TERMINAL BLOCK (TB). CONTACT RATED 10 AMPS AT 32 VDC/120 VAC RESISTIVE.

B. FEATURES 14AF & 14BF - TRANSFER SWITCH AUXILIARY POSITION INDICATING CONTACTS. SEVEN (7) FORM A CONTACTS EACH TO INDICATE CONNECTION OF THE TRANSFER SWITCH TO NORMAL (14A) OR EMERGENCY (14B). CONTACTS CONNECTED TO THE FIELD CONNECTIONS TERMINAL BLOCK (TB). CONTACTS RATED 10 AMPS, 32 VDC, 250 VAC.

C. FEATURE 17 - REMOTE TRANSFER TO EMERGENCY. REQUIRES A CUSTOMER SUPPLIED NORMALLY OPEN CONTACT. CLOSING OF THE CONTACT CAUSES ENGINE START AND TRANSFER TO THE EMERGENCY SOURCE. OPENING OF THE CONTACT ACTIVATES THE FEATURE 3A (RETRANSFER TO NORMAL) DELAY PRIOR TO RETRANSFER. IN THE EVENT THE EMERGENCY SOURCE FAILS WHILE THE TRANSFER SWITCH IS CONNECTED TO EMERGENCY AND THE REMOTE CONTACT IS CLOSED, THE TRANSFER SWITCH WILL RETRANSFER TO THE NORMAL SOURCE. CONNECTED TO THE FIELD CONNECTIONS TERMINAL BLOCK (TB).

### OPERATION

IF THE NORMAL SOURCE FAILS, THE TRANSFER SWITCH INITIATES STARTING OF THE ENGINE-GENERATOR SET. WHEN PROPER VOLTAGE AND FREQUENCY HAVE BEEN ATTAINED, THE LOAD WILL BE TRANSFERRED TO THE EMERGENCY SOURCE BY MEANS OF A DELAYED TRANSITION, (PROGRAMMED LOAD DISCONNECT PERIOD).

DELAYED TRANSITION TRANSFER TO EMERGENCY WILL CAUSE THE NORMAL SOURCE CONTACTOR (CN) TO OPEN. AFTER THE LOAD DISCONNECT DELAY, AS SET VIA THE USER INTERFACE OF THE GROUP 5 CONTROL PANEL, THE EMERGENCY SOURCE CONTACTOR (CE) WILL CLOSE. DURING THE PERIOD THAT BOTH CONTACTORS ARE OPEN AND THE TIME DELAY IS ACTIVE, A "LOAD DISCONNECT ACTIVE" LED WILL BE LIT (AMBER LED).

WHEN THE NORMAL SOURCE IS RESTORED FOR THE DURATION OF THE FEATURE 3A, RETRANSFER TO NORMAL TIME DELAY SETTING, THE LOAD WILL BE RETRANSFERRED TO THE NORMAL SOURCE IN A DELAYED TRANSITION MANNER.

DELAYED TRANSITION RETRANSFER TO NORMAL WILL CAUSE THE EMERGENCY SOURCE CONTACTOR (CE) TO OPEN. AFTER THE LOAD DISCONNECT TIME DELAY EXPIRES, THE NORMAL SOURCE CONTACTOR (CN) WILL CLOSE.

THE ENGINE WILL CONTINUE TO RUN FOR THE ENGINE COOL DOWN PERIOD, FEATURE 2E.

DELAYED TRANSITION TRANSFER WILL ALSO OCCUR DURING TRANSFER TO EMERGENCY BY OPERATING THE TEST SWITCH. RETRANSFER TO NORMAL WILL OCCUR AS PREVIOUSLY DESCRIBED.

### USER CONTROLS AND INDICATIONS

A. FEATURES 5 & 6B - TRANSFER TEST/RETRANSFER TIME DELAY BYPASS CONTROLS.

#### TRANSFER TEST:

OPERATION CAUSES A NORMAL SOURCE FAILURE SEQUENCE. ACTIVATE AND HOLD FOR AT LEAST 15 SECONDS TO ALLOW TIME FOR THE ENGINE-GENERATOR TO START.

#### RETRANSFER TIME DELAY BYPASS:

OPERATION WILL BYPASS THE FEATURE 3A (RETRANSFER TO NORMAL DELAY).

B. FEATURES 9A & 9B - TRANSFER SWITCH POSITION INDICATORS.  
FEATURE 9A: TRANSFER SWITCH CLOSED ON NORMAL (GREEN LED)  
FEATURE 9B: TRANSFER SWITCH CLOSED ON EMERGENCY (RED LED)

C. FEATURES 9C & 9D - SOURCE ACCEPTANCE INDICATORS.  
FEATURE 9C: NORMAL SOURCE ACCEPTED (GREEN LED)  
FEATURE 9D: EMERGENCY SOURCE ACCEPTED (RED LED)

D. LOAD DISCONNECT ACTIVE - INDICATES THAT THE TRANSFER SWITCH IS IN THE LOAD DISCONNECTED POSITION (BOTH NORMAL (CN) AND EMERGENCY (CE) CONTACTORS OPEN) (AMBER LED).

### GENERAL NOTES

1. SWITCH SHOWN DE-ENERGIZED AND CONNECTED TO THE NORMAL SOURCE.
2. DEVICE SYMBOLS AND DESIGNATIONS ARE IN ACCORDANCE WITH NEMA PUBLICATION ICS 1-1983, PART 1-101A.
3. ALL WIRING IS #16 AWG, TINNED, STRANDED COPPER UNLESS OTHERWISE INDICATED.
4. ○ ON TERMINAL BLOCKS INDICATES AVAILABLE FIELD CONNECTION POINT.
5. ● ON TERMINAL BLOCKS INDICATES FACTORY CONNECTION POINT.
6. CONTROL AND ACCESSORY WIRING IS ROUTED IN ACCORDANCE WITH ASCO ASSEMBLY PROCEDURE GS451261.
7. AN OPERATOR'S MANUAL IS FURNISHED WITH EACH AUTOMATIC TRANSFER SWITCH. REFER TO THIS PUBLICATION PRIOR TO INSTALLATION AND OPERATION OF THE UNIT.

BASE CATALOG NUMBER				CATALOG NUMBER SUFFIXES				EXPLANATION OF CATALOG NUMBER CODES				
TS	CATALOG	NEUTRAL	PHASE	AMPS	VOLT	CONTROLLER	OPTIONAL	ENCLOSURE	NEUTRAL TYPE		ENCLOSURE CODES	
FRAME	TYPE	TYPE	POLES		CODE		ACCESSORY	CODE		CODE	TYPE	DESCRIPTION
J	7ADTS	A	3	150 260 400 600	H J K L M N P Q R	5	X	C E F G H J K L M N P Q	BLANK A B	NONE SOLID SWITCHING	BLANK C E F G H J K L M N P Q	OPEN TYPE (NO ENCLOSURE) GENERAL PURPOSE, INDOOR INDOOR, WATER & DUST RESISTANT OUTDOOR, RAINPROOF, SLEET & ICE RESISTANT INDOOR/OUTDOOR, WATERTIGHT & DUST TIGHT TYPE 4 PLUS CORROSION RESISTANCE (STAINLESS STEEL) TYPE 4 PLUS CORROSION RESISTANCE (FIBERGLASS) EXPLOSION PROOF INDOOR, INDUSTRIAL ENVIRONMENTS, OIL TIGHT & DUST TIGHT
		BLANK FOR NONE					BLANK FOR NONE	BLANK FOR OPEN TYPE			M N P Q	(SECURE ENCLOSURES) OUTDOOR, RAINPROOF, SLEET & ICE RESISTANT INDOOR/OUTDOOR, WATERTIGHT & DUSTTIGHT TYPE 4 PLUS CORROSION RESISTANCE (STAINLESS STEEL) INDOOR, INDUSTRIAL ENVIRONMENTS, OILTIGHT & DUSTTIGHT

CATALOG NUMBER \_\_\_\_\_

ASCO® CERTIFIED TO S.O. \_\_\_\_\_

BY \_\_\_\_\_  
DATE \_\_\_\_\_

FORM REV B

PROJECT NAME: \_\_\_\_\_

WIRING \_\_\_\_\_ DIAGRAM \_\_\_\_\_

7000 SERIES (J7ADTS)  
GROUP 5 CONTROLS

THIRD ANGLE PROJECTION

MANUFACTURING TOLERANCES TO BE IN ACCORDANCE WITH ASCO PROCEDURE MP-1-003. FOR PLASTIC PARTS SEE MP-1-055.

PROPERTY OF ASCO POWER TECHNOLOGIES. USE PERMITTED FOR OUR WORK ONLY. ALL RIGHTS OF DESIGN OR INVENTION ARE RESERVED.

ASCO POWER TECHNOLOGIES, L.P.  
FLORHAM PARK, NEW JERSEY 07932 U.S.A.

B 205857 JPB JPB 9/12/05

SEE ECN

A 205163 BWM JPB 7/14/05

SEE ECN

204419 BWM SDH 6/05

ISSUE

CHANGE LETTER ECN NO. BY APP. DATE

SUBSIDIARY DISTRIBUTION

AE AN AM AU AL

CH AV AA PS AR

AG AP AC AS

COMPUTER GENERATED DRAWING

SCALE 1:1 ACAD FILE

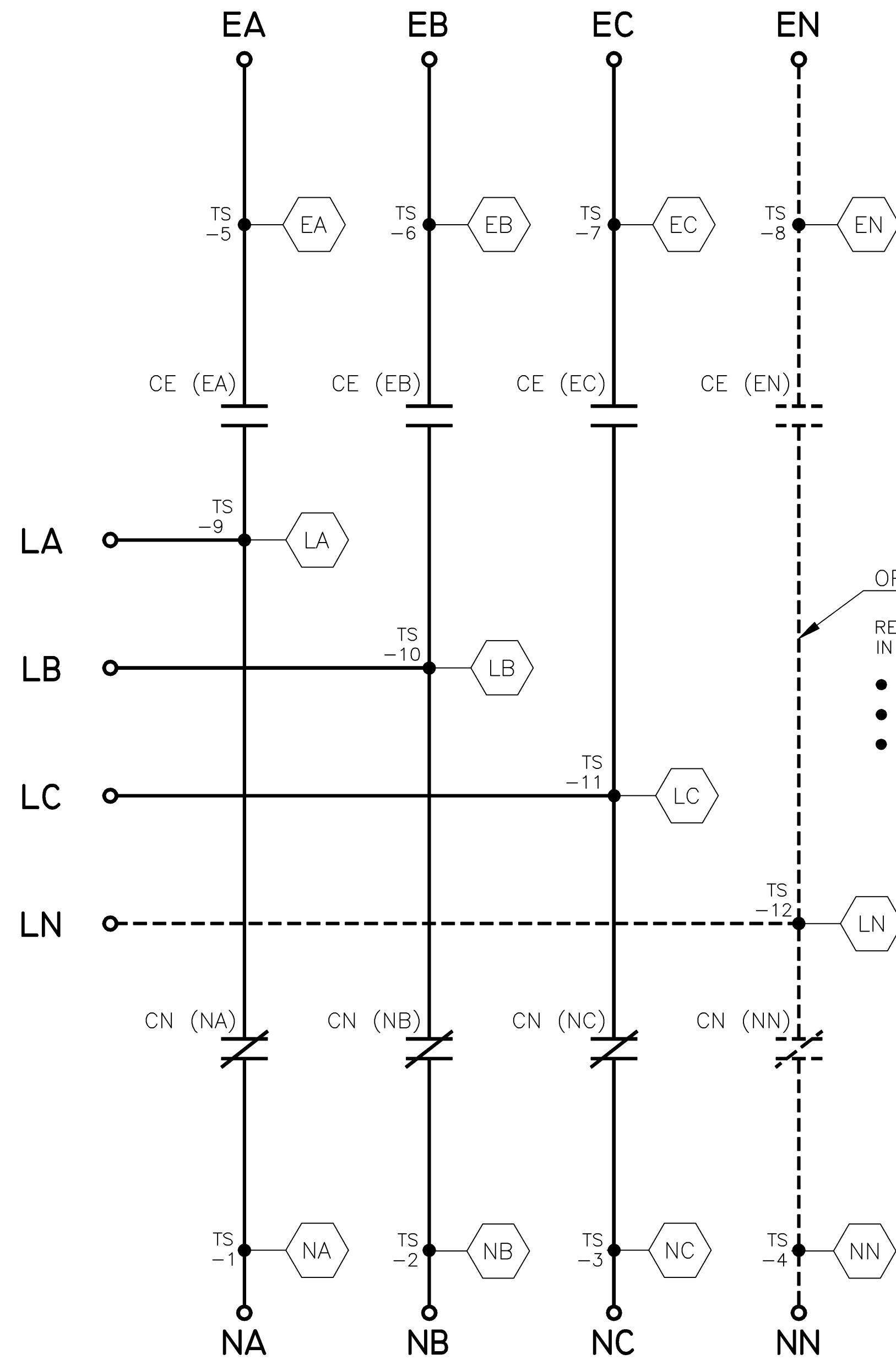
SIZE DWG. NO. DS777238

CHANGE LETTER ECN NO. 205857 SHEET 1 OF 6



EMERGENCY

NORMAL

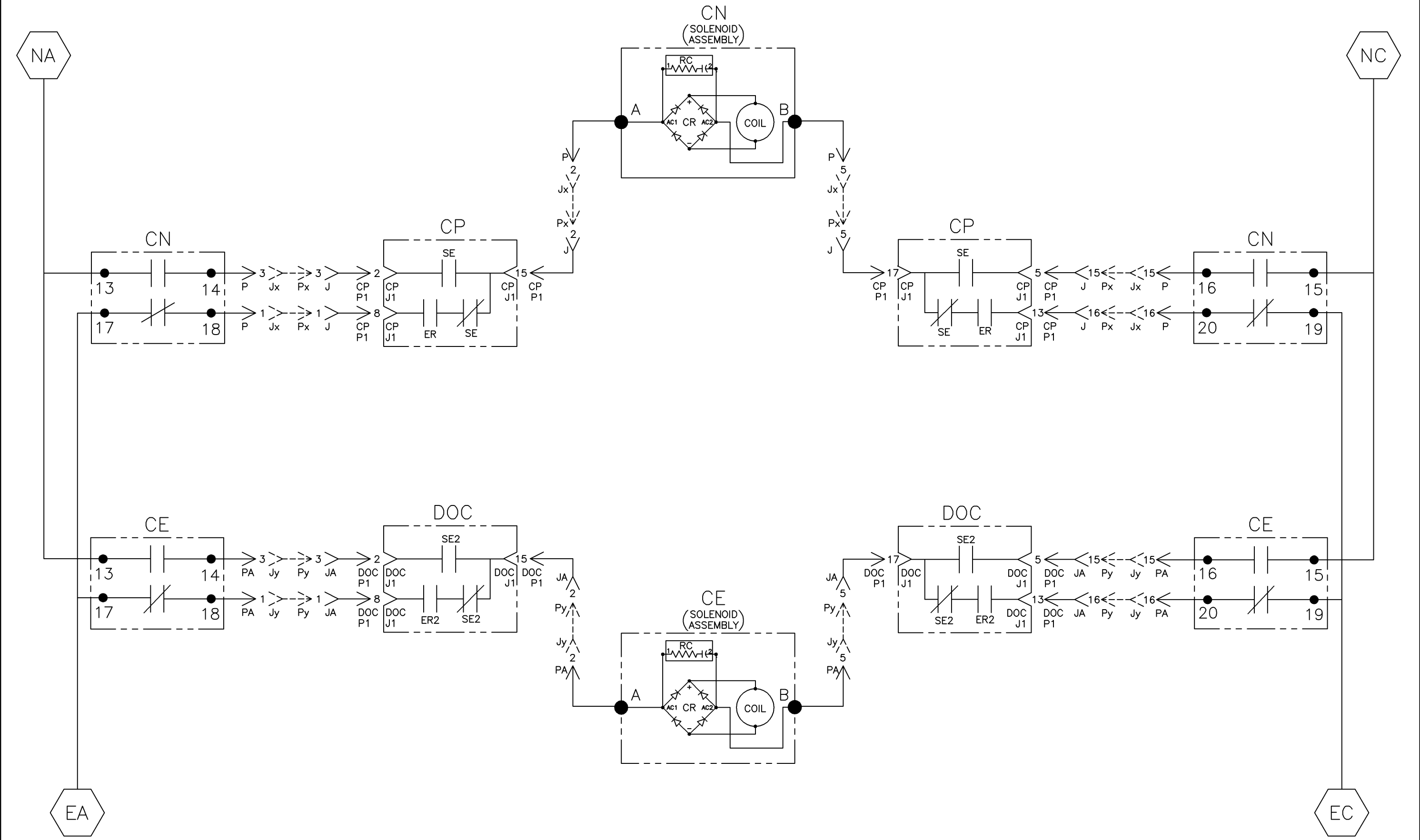


OPTIONAL NEUTRAL TYPES  
 REFER TO "EXPLANATION OF CATALOG NUMBER CODES" IN CATALOG NUMBER CHART ON SHEET 1.

- NONE
- SWITCHING
- SOLID BUS PLATE

NORMAL

EMERGENCY



NOTE:  
 ATS SHOWN CLOSED ON NORMAL SOURCE.

CN CONTROL CONTACTS		SOLENOID POSITION	
CN	CLOSED BEFORE NORMAL TDC >	BEFORE TDC <	OPEN
13-14			
15-16			
17-18			
19-20			

CE CONTROL CONTACTS		SOLENOID POSITION	
CE	OPEN BEFORE TDC >	BEFORE CLOSED TDC <	CLOSED EMERG.
13-14			
15-16			
17-18			
19-20			

TDC (TOP DEAD CENTER)  
 TRANSFER SWITCH TEST & ADJUSTMENT PROCEDURE  
 SPECIFIES CONTROL CUT-OFF (CONTACT OPENING) SETTING.

PROJECT NAME: WIRING DIAGRAM  
 7000 SERIES (J7ADTS) GROUP 5 CONTROLS

MANUFACTURING TOLERANCES TO BE IN ACCORDANCE WITH ASCO PROCEDURE MP-1-003. FOR PLASTIC PARTS SEE MP-1-005.

PROPERTY OF ASCO POWER TECHNOLOGIES. USE PERMITTED FOR OUR WORK ONLY. ALL RIGHTS OF DESIGN OR INVENTION ARE RESERVED.

ASCO POWER TECHNOLOGIES, L.P.  
 FLORHAM PARK, NEW JERSEY 07932 U.S.A.

BY	DATE	ASSEM. REF. NO.
BWM	6/05	
CHECKED		
DRAFTING		
APPROVAL		
SDH	6/05	

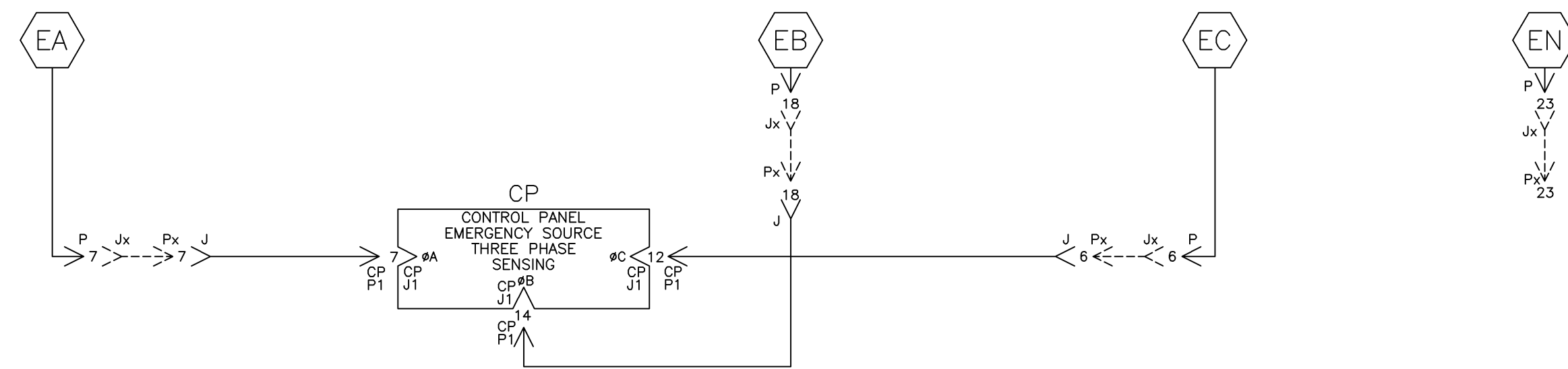
CHANGE LETTER	ECN NO.	BY	APP.	DATE
B	205857	JPB	JPB	9/12/05
A	205163	BWM	JPB	7/14/05
-	204419	BWM	SDH	6/05

SCALE: 1:1  
 SIZE: 777238  
 SHEET NO. 3 OF 6

EMERGENCY SOURCE CIRCUITS

ADDITIONAL CIRCUITS

EMERGENCY



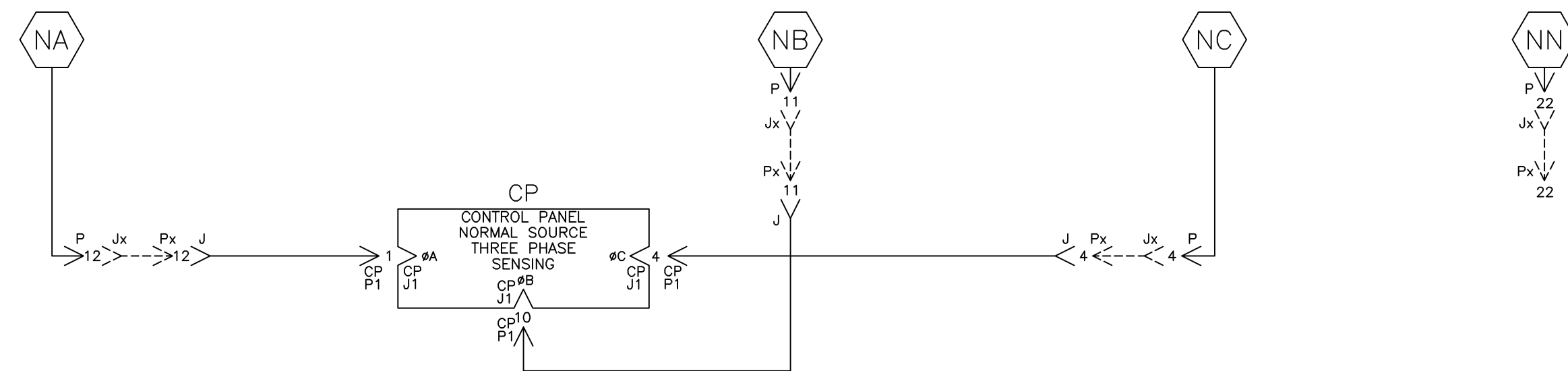
LOAD TERMINAL CIRCUITS

LOAD



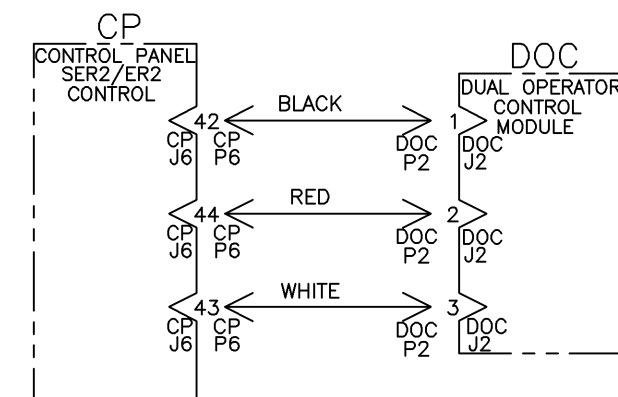
NORMAL SOURCE CIRCUITS

NORMAL

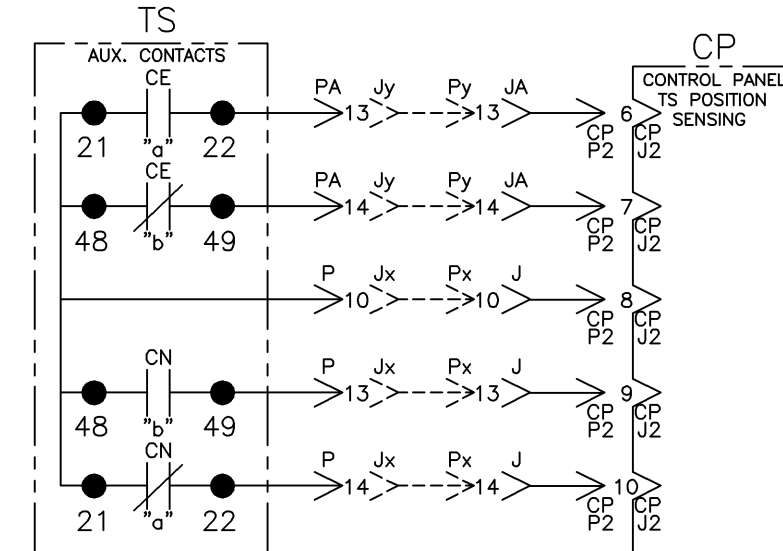


CONTROL CIRCUITS

SER2/ER2 CONTROL



TS POSITION SENSING



B	205857	JPB	JPB	9/12/05
SEE ECN				
A	205163	BWM	JPB	7/14/05
SEE ECN				
-	204419	BWM	SDH	6/05
ISSUE				

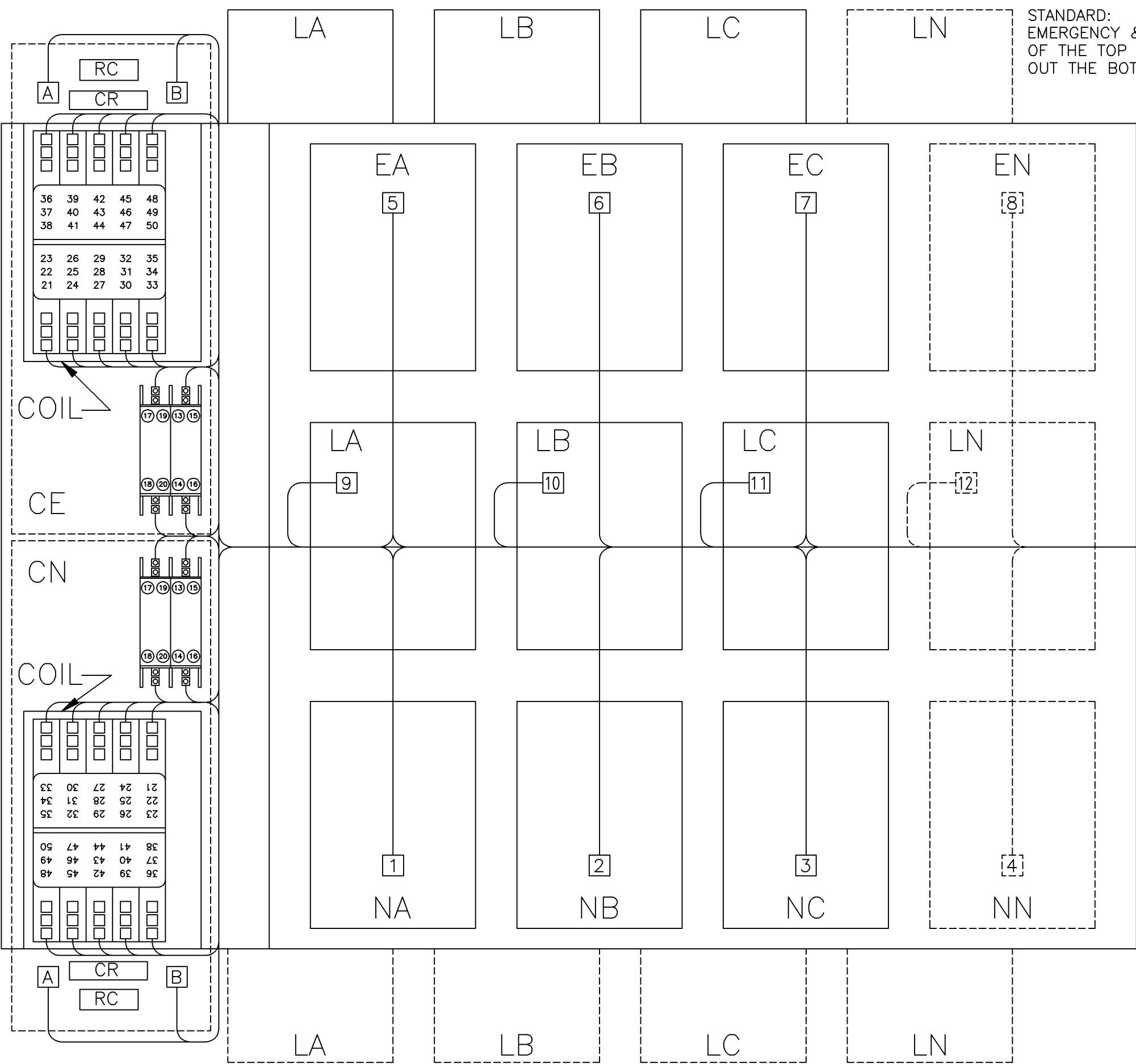
PROJECT NAME:		WIRING DIAGRAM		THIRD ANGLE PROJECTION	
7000 SERIES (J7ADTS)		GROUP 5 CONTROLS		SUBSIDIARY DISTRIBUTION	
AE	<input type="checkbox"/>	AN	<input type="checkbox"/>	AM	<input type="checkbox"/>
CH	<input type="checkbox"/>	AV	<input type="checkbox"/>	AA	<input type="checkbox"/>
AG	<input type="checkbox"/>	AP	<input type="checkbox"/>	AC	<input type="checkbox"/>
AS	<input type="checkbox"/>	AR	<input type="checkbox"/>	AT	<input type="checkbox"/>
DRAWN BY: BWM		DATE: 6/05	MANUFACTURING TOLERANCES TO BE IN ACCORDANCE WITH ASCO PROCEDURE MP-1-003. FOR PLASTIC PARTS SEE MP-1-005.		ASSEM. REF. NO.
CHECKED:			PROPERTY OF ASCO POWER TECHNOLOGIES. USE PERMITTED FOR OUR WORK ONLY. ALL RIGHTS OF DESIGN OR INVENTION ARE RESERVED.		SCALE: 1:1
DRAFTING APPROVAL:					ACAD FILE
FINAL APPROVAL:	SDH	6/05	ASCO POWER TECHNOLOGIES, L.P. FLORHAM PARK, NEW JERSEY 07932 U.S.A.		SIZE: 11x17
CHANGE LETTER: B		ECN NO.: 205857	SHEET NO.: 4 OF 6		FILE: DS777238

PHYSICAL DIAGRAM

ENCLOSURE

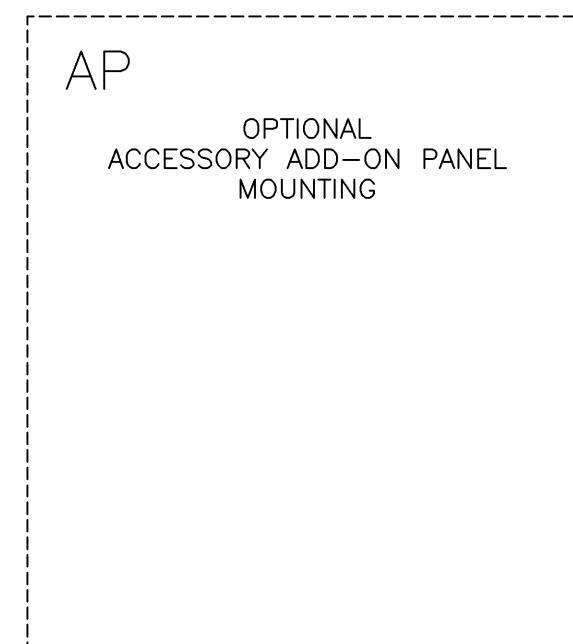
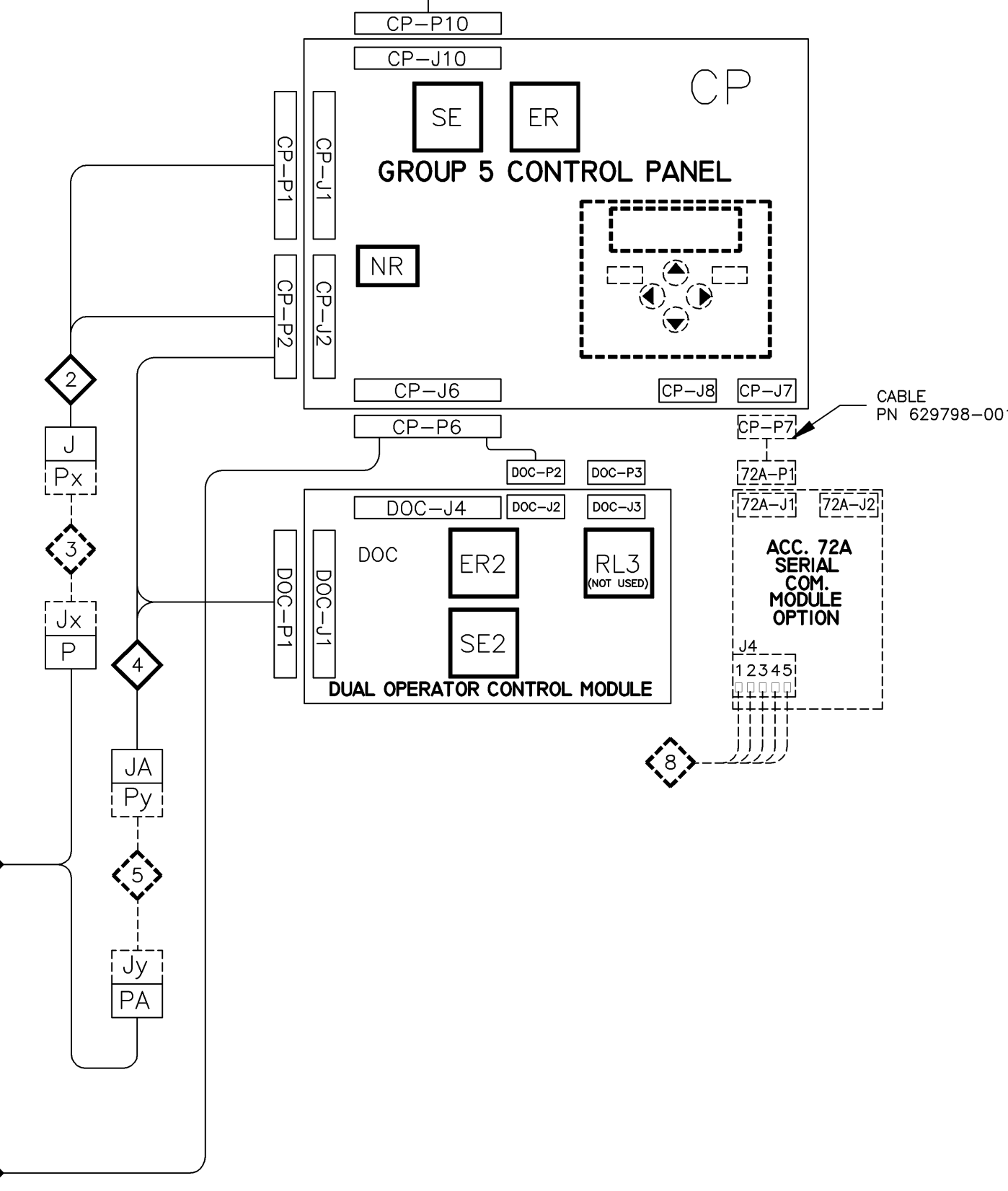
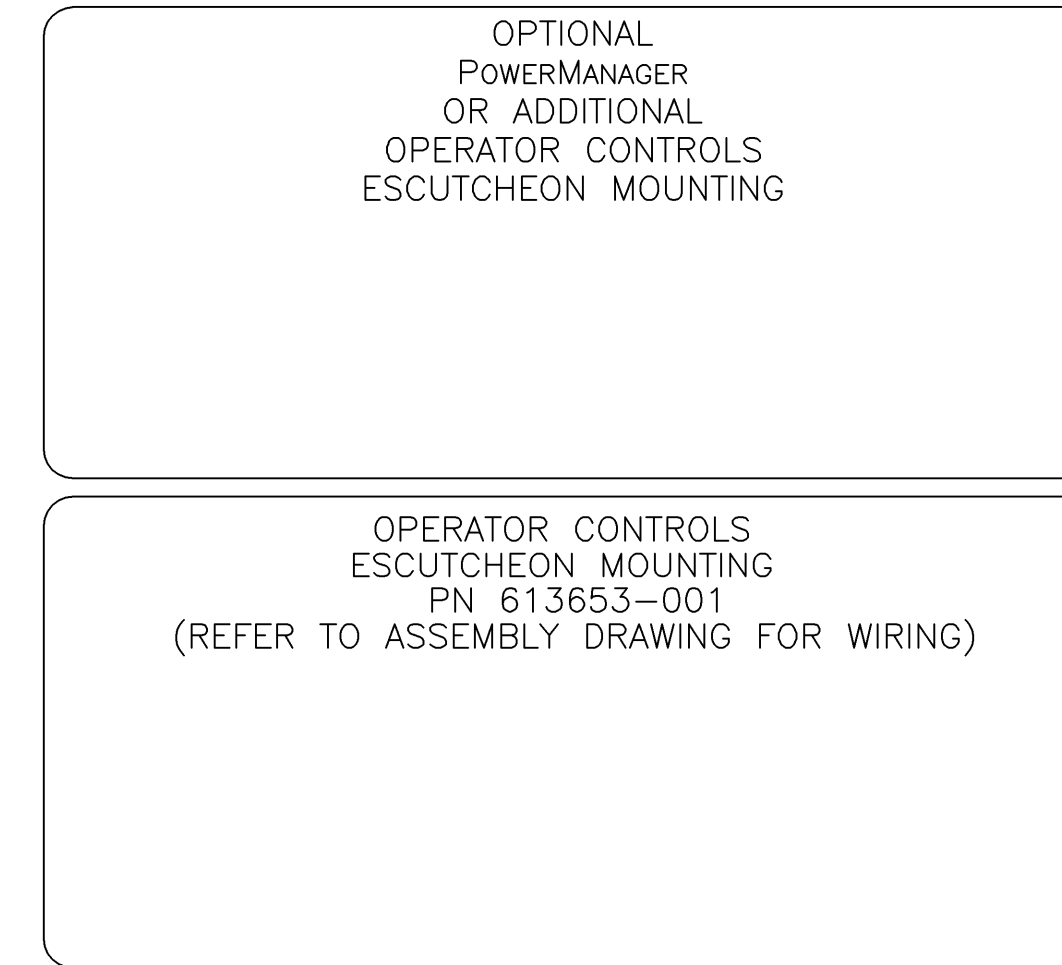
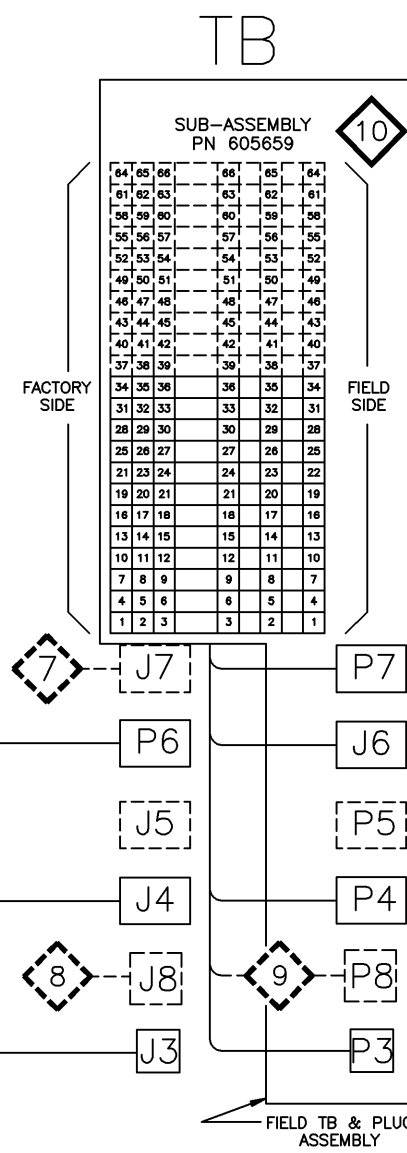
DOOR (INSIDE)

TS (TRANSFER SWITCH)  
VIEW FROM INSIDE FRONT



STANDARD:  
EMERGENCY & LOAD OUT  
OF THE TOP AND NORMAL  
OUT THE BOTTOM.

OPTIONAL:  
EMERGENCY OUT OF THE TOP  
AND NORMAL & LOAD  
OUT THE BOTTOM.  
\*NOT AVAILABLE ON 600 AMP UNITS.



DOOR HINGE

BONDING STRAP  
PN 098323-019

B	205857	JPB	JPB	9/12/05
SEE ECN				
A	205163	BWM	JPB	7/14/05
SEE ECN				
-	204419	BWM	SDH	6/05
ISSUE				
CHANGE LETTER	ECN NO.	BY	APP.	DATE
SUBSIDIARY DISTRIBUTION				
AE	<input type="checkbox"/>	AN	<input type="checkbox"/>	AM
CH	<input type="checkbox"/>	AV	<input type="checkbox"/>	AA
AG	<input type="checkbox"/>	AP	<input type="checkbox"/>	AC
	<input type="checkbox"/>		<input type="checkbox"/>	AS
	<input type="checkbox"/>		<input type="checkbox"/>	AL
	<input type="checkbox"/>		<input type="checkbox"/>	AR
	<input type="checkbox"/>		<input type="checkbox"/>	AS
COMPUTER GENERATED DRAWING				
DRAWN BY	BY	DATE	MANUFACTURING TOLERANCES TO BE IN ACCORDANCE WITH ASCO PROCEDURE MP-1-003. FOR PLASTIC PARTS SEE MP-1-055.	
CHECKED	BWM	6/05	ASSEM. REF. NO.	
DRAFTING APPROVAL			PROPERTY OF ASCO POWER TECHNOLOGIES. USE PERMITTED FOR OUR WORK ONLY. ALL RIGHTS OF DESIGN OR INVENTION ARE RESERVED.	
FINAL APPROVAL	SDH	6/05	SCALE	1:1
			SIZE	ACAD
			DWG. NO.	FILE
			DS777238	
			CHANGE LETTER	ECN NO.
			B	205857
				5 OF 6

PROJECT NAME: WIRING DIAGRAM

7000 SERIES (J7ADTS) GROUP 5 CONTROLS

THIRD ANGLE PROJECTION

ASCO POWER TECHNOLOGIES, L.P.  
FLORHAM PARK, NEW JERSEY 07932 U.S.A.

WIRE RUN LISTING

HARNESS LOCATOR		BOX CHECKED IF HARNESS IS MODIFIED	
WIRE No.	HARNESS 619510-061 (P,PA,J3,J4) MAIN TS	CLR	AWG
1	P-1,CN-18		18
2	P-2,CN-A		
3	P-3,CN-14		
4	P-4,TS-3		
4	TS-3,CE-15		
4	CE-15,CN-15		
5	P-5,CN-B		
6	P-6,TS-7		
6	TS-7,CE-19		
6	CE-19,CN-19		
7	P-7,TS-5		
7	TS-5,CE-17		
7	CE-17,CN-17		
8	P-8,CE-24		
8	CE-24,J3-1		
9	P-9,CE-25		
9	CE-25,J3-2		
10	P-10,CE-21		
10	CE-21,CN-21		
10	CN-21,CN-48		
10	CE-48,CN-48		
11	P-11,TS-2		
12	P-12,TS-1		
12	TS-1,CE-13		
12	CE-13,CN-13		
13	P-13,CN-49		
14	P-14,CN-22		
15	P-15,CN-16		
16	P-16,CN-20		
17	P-17,J3-3		
18	P-18,TS-6		
19	P-19,TS-9		
20	P-20,TS-10		
21	P-21,TS-11		
22	P-22,TS-4		
23	P-23,TS-8		
24	P-24,TS-12		
25	J4-1,CE-27		
25	CE-27,CN-27		
26	J4-2,CE-28		
27	J4-3,CN-28		
28	J4-4,CE-30		
28	CE-30,CN-30		
29	J4-5,CE-31		
30	J4-6,CN-31		
31	J4-7,CE-33		
31	CE-33,CN-33		
32	J4-8,CE-34		
33	J4-9,CN-34		
34	J4-10,CE-36		
34	CE-36,CN-36		
35	J4-11,CN-38		
36	J4-12,CE-38		
37	J4-13,CE-39		
37	CE-39,CN-39		
38	J4-14,CN-41		
39	J4-15,CE-41		
40	J4-16,CE-42		
40	CE-42,CN-42		
41	J4-17,CN-44		
42	J4-18,CE-44		
43	J4-19,CE-45		
43	CE-45,CN-45		
107	PA-1,CE-18		
108	PA-2,CE-A		
109	PA-3,CE-14		
111	PA-5,CE-B		
119	PA-13,CE-22		
120	PA-14,CE-49		
121	PA-15,CE-16		
122	PA-16,CE-20		
123	PA-17,CE-47		
124	PA-18,CN-47		
REMOVE WIRES			
123	PA-17,CE-47		
124	PA-18,CN-47		
ADD WIRES			
44	J4-21,CE-47		
45	J4-20,CN-47		
97	J3-4		
110	PA-4		
112	PA-6		
113	PA-7		
114	PA-8		
115	PA-9		
116	PA-10		
117	PA-11		
118	PA-12		
125	PA-19		
126	PA-20		
127	PA-21		
128	PA-22		
129	PA-23		
130	PA-24		

HARNESS LOCATOR		BOX CHECKED IF HARNESS IS MODIFIED	
WIRE No.	HARNESS 483763 (J,CP-P1,CP-P2) CONTROL PANEL	CLR	AWG
1	J-1,CP-P1-8		16
2	J-2,CP-P1-15		
3	J-3,CP-P1-2		
4	J-4,CP-P1-4		
5	J-5,CP-P1-17		
6	J-6,CP-P1-12		
7	J-7,CP-P1-7		
8	J-8,CP-P2-2		
9	J-9,CP-P2-3		
10	J-10,CP-P2-8		
11	J-11,CP-P1-10		
12	J-12,CP-P1-1		
13	J-13,CP-P2-9		
14	J-14,CP-P2-10		
15	J-15,CP-P1-5		
16	J-16,CP-P1-13		
17	J-17,CP-P2-1		
18	J-18,CP-P1-14		
ADD WIRES			
19	J-19		
20	J-20		
21	J-21		
22	J-22		
23	J-23		
24	J-24		

HARNESS LOCATOR		BOX CHECKED IF HARNESS IS MODIFIED	
WIRE No.	HARNESS 309320-005 OPTIONAL 8" EXTENSION HARNESS	CLR	AWG
1	Jx-1,Px-1		16
2	Jx-2,Px-2		
3	Jx-3,Px-3		
4	Jx-4,Px-4		
5	Jx-5,Px-5		
6	Jx-6,Px-6		
7	Jx-7,Px-7		
8	Jx-8,Px-8		
9	Jx-9,Px-9		
10	Jx-10,Px-10		
11	Jx-11,Px-11		
12	Jx-12,Px-12		
13	Jx-13,Px-13		
14	Jx-14,Px-14		
15	Jx-15,Px-15		
16	Jx-16,Px-16		
17	Jx-17,Px-17		
18	Jx-18,Px-18		
19	Jx-19,Px-19		
20	Jx-20,Px-20		
21	Jx-21,Px-21		
22	Jx-22,Px-22		
23	Jx-23,Px-23		
24	Jx-24,Px-24		

HARNESS LOCATOR		BOX CHECKED IF HARNESS IS MODIFIED	
WIRE No.	HARNESS 619385 (JA,CP-P2,DOC-P1) CONTROL MODULE	CLR	AWG
107	JA-1,DOC-P1-8		16
108	JA-2,DOC-P1-15		
109	JA-3,DOC-P1-2		
111	JA-5,DOC-P1-17		
119	JA-13,CP-P2-6		
120	JA-14,CP-P2-7		
121	JA-15,DOC-P1-5		
122	JA-16,DOC-P1-13		
ADD WIRES			
110	JA-4		
112	JA-6		
113	JA-7		
114	JA-8		
115	JA-9		
116	JA-10		
117	JA-11		
118	JA-12		
123	JA-17		
124	JA-18		
125	JA-19		
126	JA-20		
127	JA-21		
128	JA-22		
129	JA-23		
130	JA-24		

HARNESS LOCATOR		BOX CHECKED IF HARNESS IS MODIFIED	
WIRE No.	HARNESS 309320-005 OPTIONAL 8 IN. EXTENSION HARNESS	CLR	AWG
107	Jy-1,Py-1		16
108	Jy-2,Py-2		
109	Jy-3,Py-3		
110	Jy-4,Py-4		
111	Jy-5,Py-5		
112	Jy-6,Py-6		
113	Jy-7,Py-7		
114	Jy-8,Py-8		
115	Jy-9,Py-9		
116	Jy-10,Py-10		
117	Jy-11,Py-11		
118	Jy-12,Py-12		
119	Jy-13,Py-13		
120	Jy-14,Py-14		
121	Jy-15,Py-15		
122	Jy-16,Py-16		
123	Jy-17,Py-17		
124	Jy-18,Py-18		
126	Jy-20,Py-20		
127	Jy-21,Py-21		
128	Jy-22,Py-22		
129	Jy-23,Py-23		
130	Jy-24,Py-24		

HARNESS LOCATOR		BOX CHECKED IF HARNESS IS MODIFIED	
WIRE No.	HARNESS 619510-005 (P6) FIELD INPUTS	CLR	AWG
49	P6-1,CP-P6-21	WHT	22 (2 COND)
50	P6-2,CP-P6-22	ORG	
51	P6-3,CP-P6-23	GRN	
52	P6-4,CP-P6-9	BLK	
53	P6-5,CP-P6-10	RED	
ADD WIRES			
54	P6-6		
55	P6-7		
56	P6-8		
57	P6-9		
58	P6-10		
59	P6-11		
60	P6-12		
61	P6-13		
62	P6-14		
63	P6-15		
64	P6-16		
65	P6-17		
67	P6-18		
67	P6-19		
68	P6-20		
69	P6-21		
70	P6-22		
71	P6-23		
72	P6-24		

HARNESS LOCATOR		BOX CHECKED IF HARNESS IS MODIFIED	
WIRE No.	HARNESS (J7) OPTIONAL FIELD OUTPUTS	CLR	AWG
ADD WIRES			
73	J7-1		16
74	J7-2		
75	J7-3		
76	J7-4		
77	J7-5		
78	J7-6		
79	J7-7		
80	J7-8		
81	J7-9		
82	J7-10		
83	J7-11		
84	J7-12		
85	J7-13		
86	J7-14		
87	J7-15		
88	J7-16		
89	J7-17		
90	J7-18		
91	J7-19		
92	J7-20		
93	J7-21		
94	J7-22		
95	J7-23		
96	J7-24		

HARNESS LOCATOR		BOX CHECKED IF HARNESS IS MODIFIED	
WIRE No.	HARNESS 605454-005 (J8) OPTIONAL SERIAL I/O	CLR	AWG
98	J8-1,72A-5	SHLD	22 (2 COND)
99	J8-2,72A-1	WHT/ORG	
100	J8-3,72A-2	ORG/WHI	
101	J8-4,72A-3	WHT/BLU	
102	J8-5,72A-4	BLU/WHI	
ADD WIRES			
103	J8-6		
104	J8-7		
105	J8-8		
106	J8-9		

HARNESS LOCATOR		BOX CHECKED IF HARNESS IS MODIFIED	
WIRE No.	HARNESS 605454-007 (P8,TB) OPTIONAL SERIAL I/O	CLR	AWG
98	P8-1,TB-37	SHLD	22 (2 COND)
99	P8-2,TB-38	WHT/ORG	
100	P8-3,TB-39	ORG/WHI	
101	P8-4,TB-40	WHT/BLU	
102	P8-5,TB-41	BLU/WHI	
ADD WIRES			
103	P8-6		
104	P8-7		
105	P8-8		
106	P8-9		

HARNESS LOCATOR		BOX CHECKED IF HARNESS IS MODIFIED	
WIRE No.	SUB-ASSEMBLY 605659 (P3,P4,J6,P7,TB) STD. FIELD TB	CLR	AWG
8	TB-1,P3-1		16
9	TB-2,P3-2		
17	TB-3,P3-3		
25	TB-4,P4-1		
26	TB-5,P4-2		
27	TB-6,P4-3		
28	TB-7,P4-4		
29	TB-8,P4-5		
30	TB-9,P4-6		
31	TB-10,P4-7		
32	TB-11,P4-8		
33	TB-12,P4-9		
34	TB-13,P4-10		
36	TB-14,P4-12		
35	TB-15,P4-11		
37	TB-16,P4-13		
39	TB-17,P4-15		
38	TB-18,P4-14		
40	TB-19,P4-16		
42	TB-20,P4-18		
41	TB-21,P4-17		
43	TB-22,P4-19		
45	TB-23,P4-21		
44	TB-24,P4-20		
46	TB-25,P4-22		
48	TB-26,P4-24		
47	TB-27,P4-23		
49	TB-28,J6-1		
50	TB-29,J6-2		
51	TB-30,J6-3		
52	TB-31,J6-4		
53	TB-32,J6-5		
73	TB-34,P7-1		
74	TB-35,P7-2		
75	TB-36,P7-3		
JUMPERS			
-	TB-28,TB-29		
-	TB-29,TB-30		
ADD WIRES			
97	P3-4		

54	J6-6		
55	J6-7		
56	J6-8		
57	J6-9		
58	J6-10		
59	J6-11		
60	J6-12		
61	J6-13		
62	J6-14		
63	J6-15		
64	J6-16		
65	J6-17		
66	J6-18		
67	J6-19		
68	J6-20		
69	J6-21		
70	J6-22		
71	J6-23		
72	J6-24		
76	P7-4		
77	P7-5		
78	P7-6		
79	P7-7		
80	P7-8		
81	P7-9		
82	P7-10		
83	P7-11		
84	P7-12		
85	P7-13		
86	P7-14		
87	P7-15		
88	P7-16		
89	P7-17		
90	P7-18		
91	P7-19		
92	P7-20		
93	P7-21		
94	P7-22		
95	P7-23		
96	P7-24		