

Registration code

Atlas Copco Collection: ASL 23
Tab: 73
Sequence: 0999

1991-04

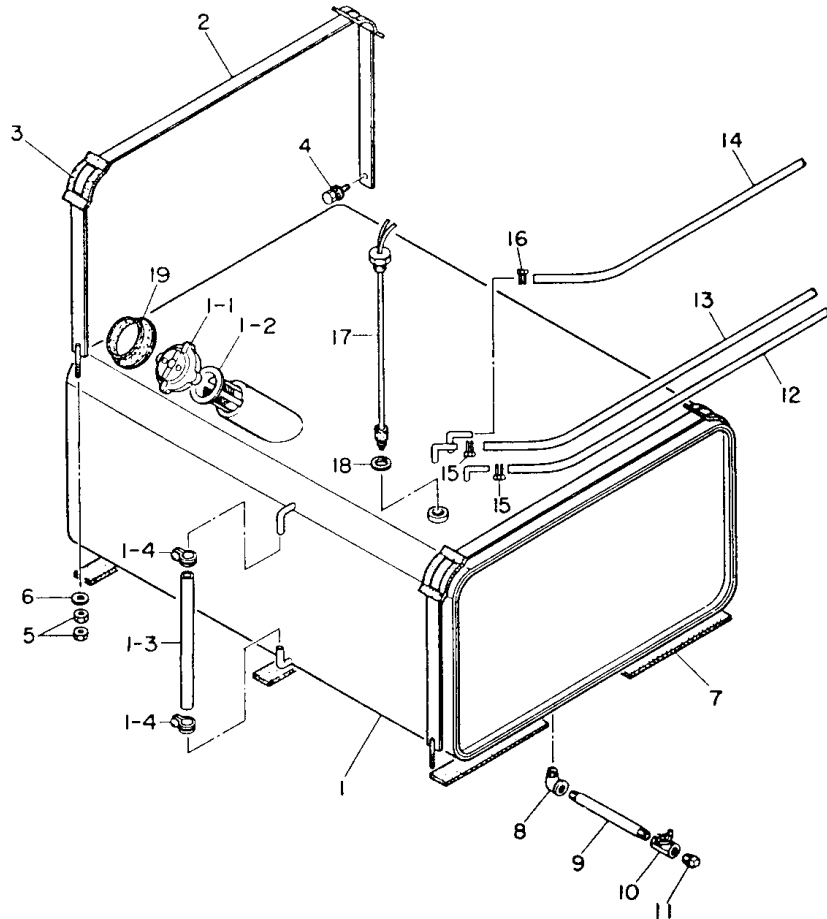
Parts list for Generators
Teilliste für Generatoren
Onderdelenlijst voor Generatoren
Liste de pièces pour Génératrices
Reservdelsförteckning för Generatorer
Lista de las partes para Generadores

QAS400 Kd

Page	Contents
Blz.	Inhoud
Sida	Innehåll
Seite	Inhaltsverzeichnis
Pag.	Table des matières
Pág.	Índice

3	Fuel tank Brandstoftank Bränsletank Kraftstoffbehälter Réservoir à combustible Tanque de combustible	16	Oil pump Oliepomp Oljepump Ölpumpe Pompe à huile Bomba de aceite
5	Generator parts Generatoronderdelen Generatordelar Generatorteile Pièces de génératrice Partes del generador		
7	Control panel Bedieningsbord Manöverpanel Armaturenbrett Panneau de commande Panel de control		
9	Engine cooling system Motorkoelsysteem Motorkylsystem Motorkühlsystem Système de refroidissement du moteur Sistema de refrigeración del motor		
11	Engine operating panel Motorbedieningspaneel Motors kontrollpanel Motorbedienungstafel Tableau, marche du moteur Panel de funcionamiento del motor		
12	Battery connections Batterij-aansluitingen Batterianslutningar Batterieanschlüsse Connexions de batterie Conexiones de batería		
13	Exhaust Uitlaat Afgasning Auspuff Echappement Escape		
15	Bodywork Karosserie Karosseri Karosserie Capotage Carrocería		
2			

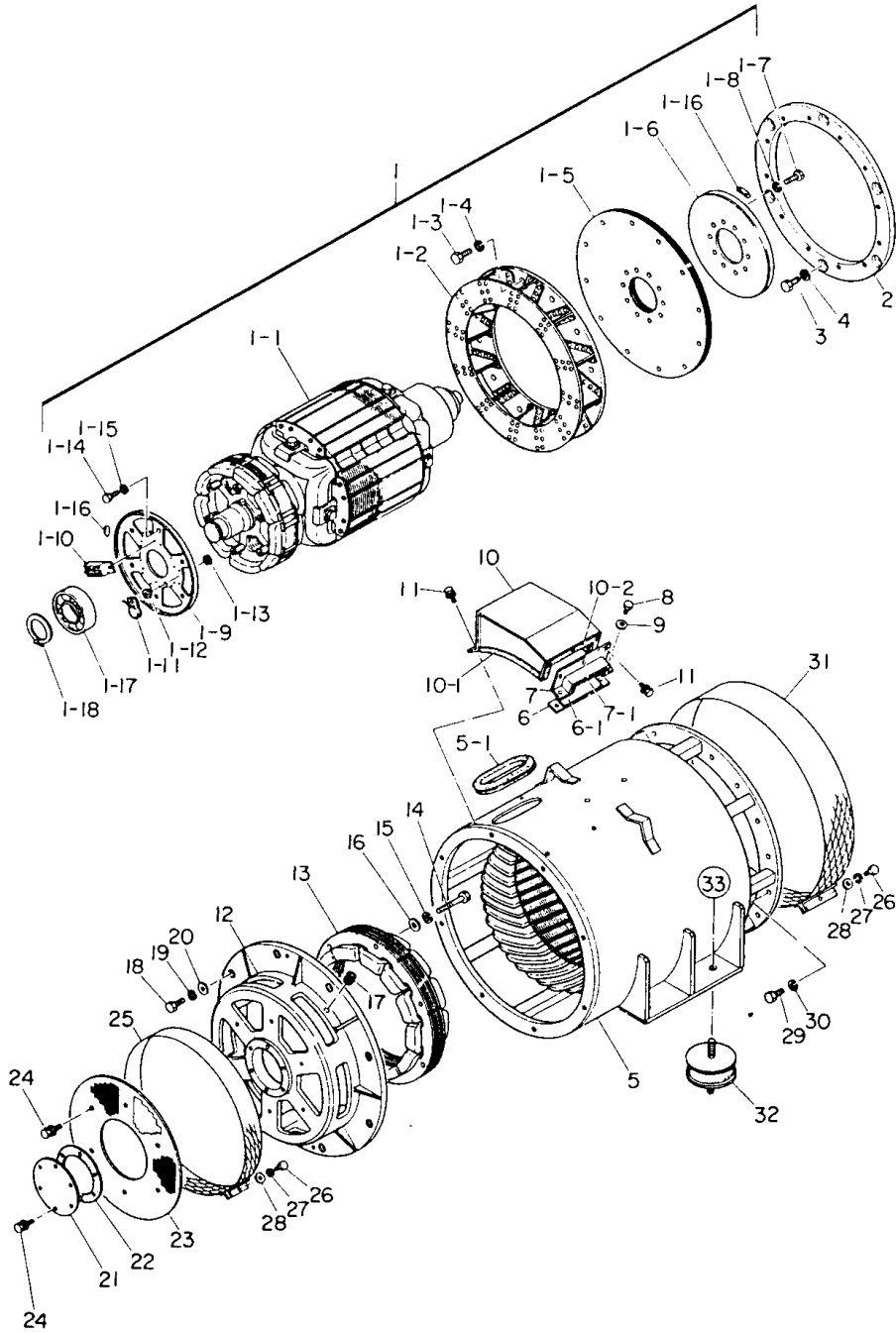
Fuel tank
 Brandstoftank
 Bränsletank
 Kraftstoffbehälter
 Réservoir à combustible
 Tanque de combustible



Ref.	A	B	C	D	Designation	Ref.	A	B	C	D	Designation
1	2914 6220 00			1 Fuel tank	7	2914 6222 00			6 Pad
1.1	2900 5179 00	•		1 Cap	17	2900 5154 00			1 Level device
x	2900 6978 00		1)	1 Cap with key	19	2900 5193 00			1 Seal
x	2912 6004 00			1 Spare key						
1.2	2900 5180 00	•		1 Strainer						
2	2914 6221 00			2 Strap						
3	2914 6102 00			4 Pad						
4	0147 1323 03			2 Bolt						
5	0266 2110 00			2 Nut						

1) Optional / Als optie / Extra utrustning / Extra Ausstattung /
 Optionnel / Como opción

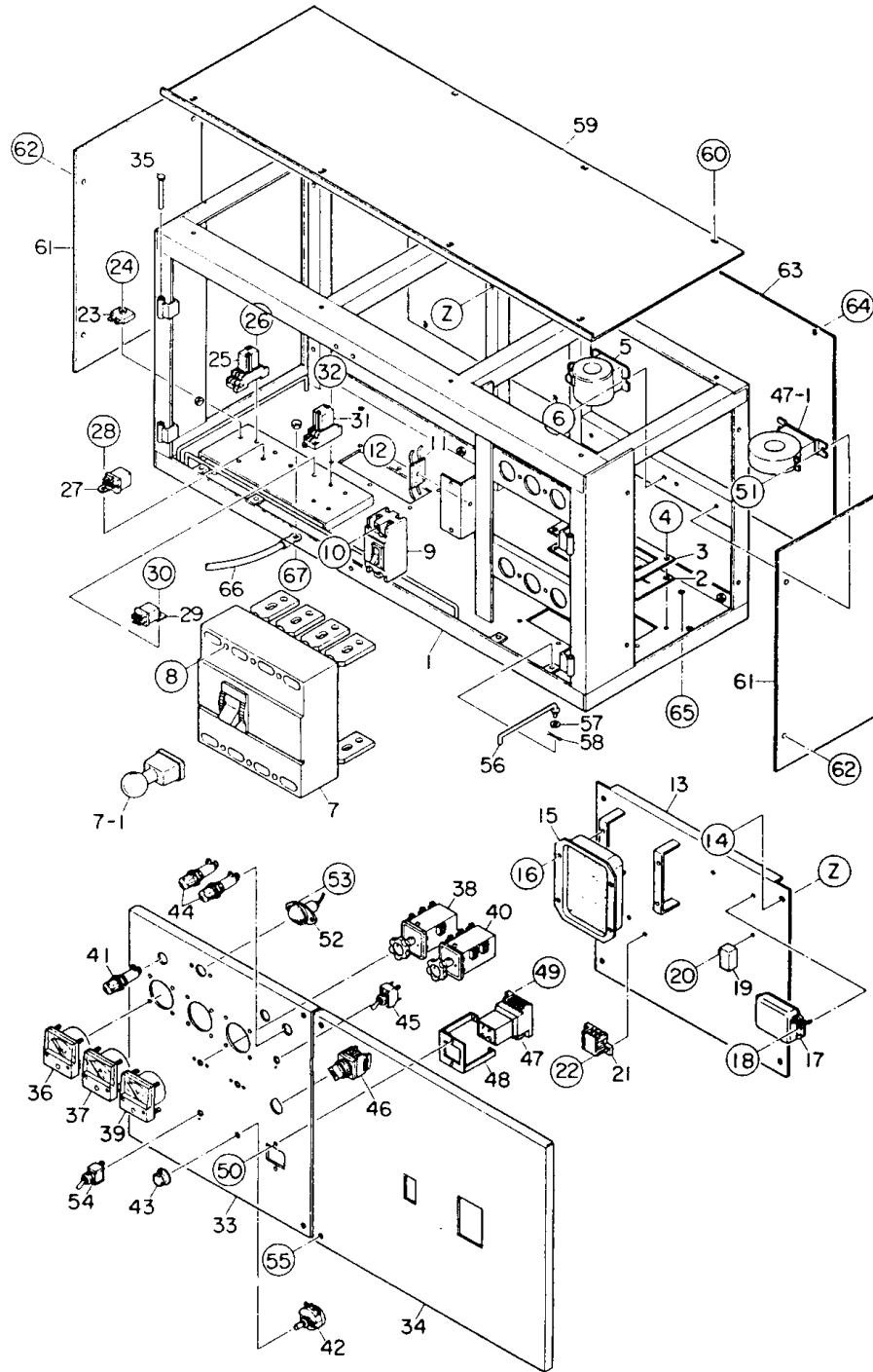
56_111_0_0_0



Generator parts
Generatoronderdelen
Generatordelar
Generatorteile
Pièces de génératrice
Partes del generador

Ref.	A	B	C	D	Designation	Ref.	A	B	C	D	Designation
-	2914 6038 00			1	Generator ass'y	2	2914 6143 00	•		1	Coupling ring
1	2914 6138 00	•		1	Rotor ass'y	5	2914 6144 00	•		1	Stator ass'y
1.1	***	••		1	Field ass'y	6	2914 6145 00	•		1	Clamp
1.2	2914 6139 00	••		1	Fan	7	2914 6146 00	•		1	Clamp
1.3	0147 1403 03	••		12	Bolt	10	2914 6147 00	•		1	Cover
1.5	2914 6140 00	••		12	Coupling disk	11	0147 1246 03	•		6	Bolt
1.6	2914 6141 00	••		1	Flywheel	12	2914 6148 00	•		1	Bearing housing
1.9	2900 6878 00	••		1	Base plate	13	2914 6149 00	•		1	Field ass'y, exciter
1.10	2900 6055 00	••		3	Rectifier	15	0333 2230 00	•		6	Washer
1.11	2900 6879 00	••		1	Surge absorber	17	2900 6912 00	•		1	Grommet
1.12	2900 6880 00	••		1	Isolator	19	0333 2236 00	•		8	Spring washer
1.13	2900 6881 00	••		1	Isolator	21	2914 6150 00	•		1	Cover
1.14	0147 1398 03	••		6	Bolt	22	2914 6151 00	•		1	Gasket
1.15	0333 2230 00	••		6	Spring washer	23	2900 6897 00	•		1	Cover
1.16	2900 5411 00	••		1	Counterweight kit	25	2900 6898 00	•		1	Cover
x	2900 5411 05	•••		2	Counterweight - 5 g	26	0147 1250 03	•		2	Bolt
x	2900 5411 10	•••		2	Counterweight - 10 g	27	0333 2219 00	•		2	Spring washer
x	2900 5411 15	•••		2	Counterweight - 15 g	29	0147 1402 03	•		16	Bolt
x	2900 5411 20	•••		2	Counterweight - 20 g	31	2914 6152 00	•		1	Fan guard
1.17	2914 6142 00	••		1	Bearing	32	2900 6900 00	•		4	Antivibration pad
						33	0266 2116 00	•		8	Nut

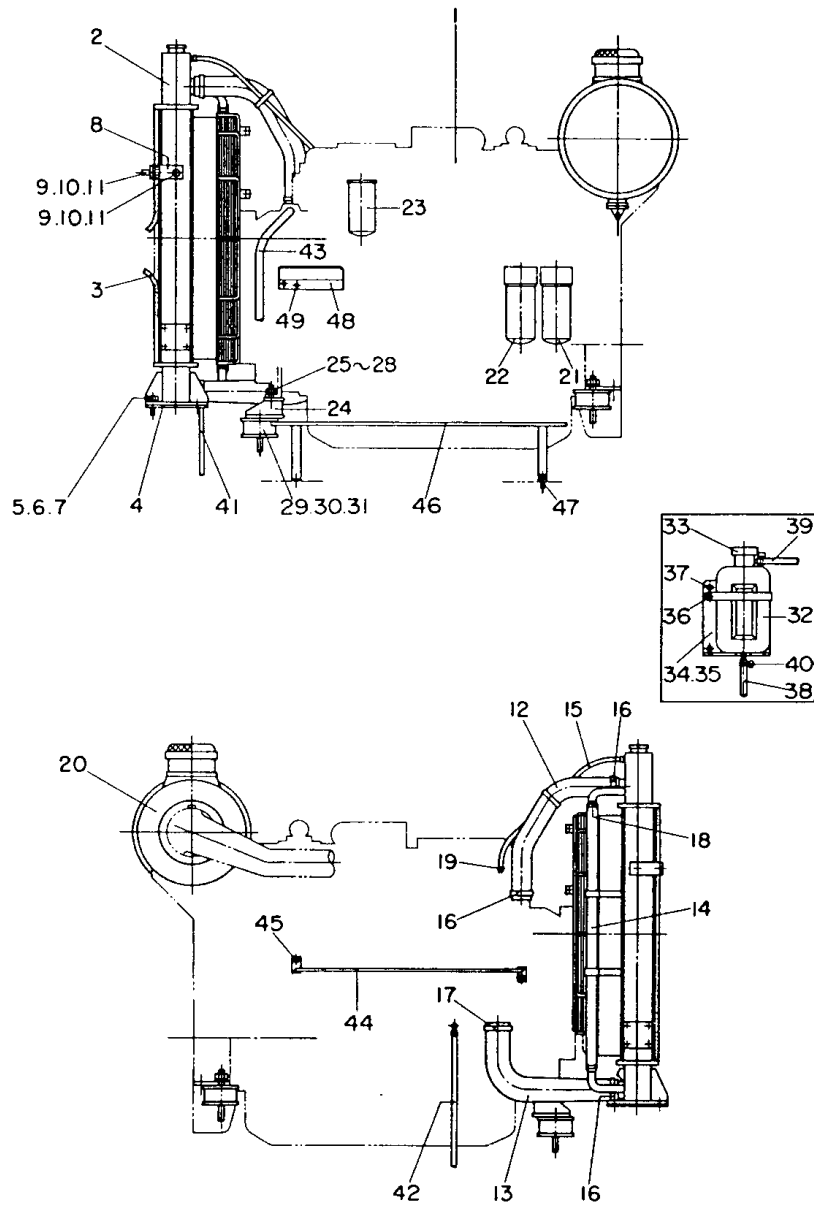
56_105_0_0_0



Control panel
 Bedieningsbord
 Manöverpanel
 Armaturen Brett
 Panneau de commande
 Panel de control

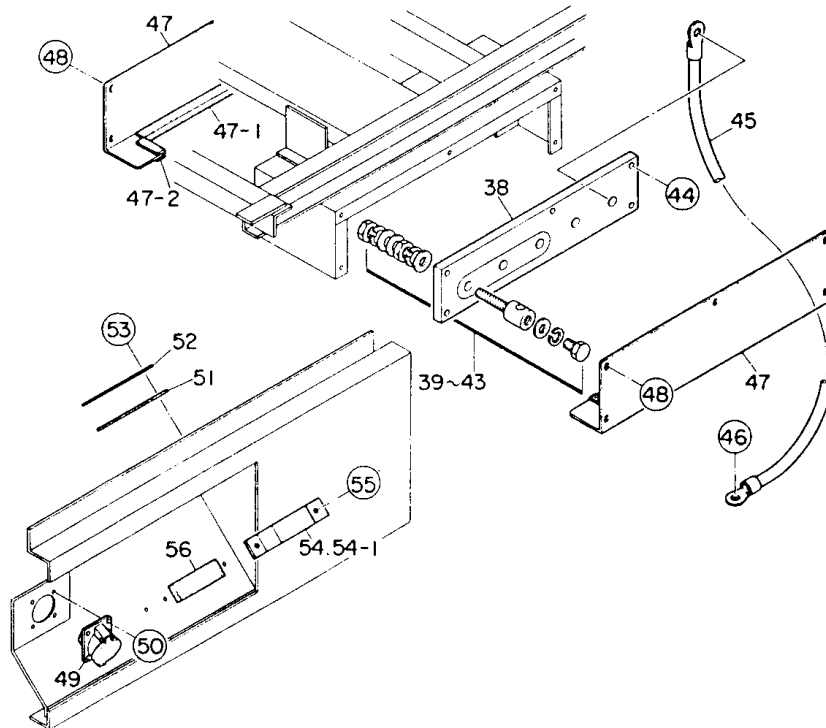
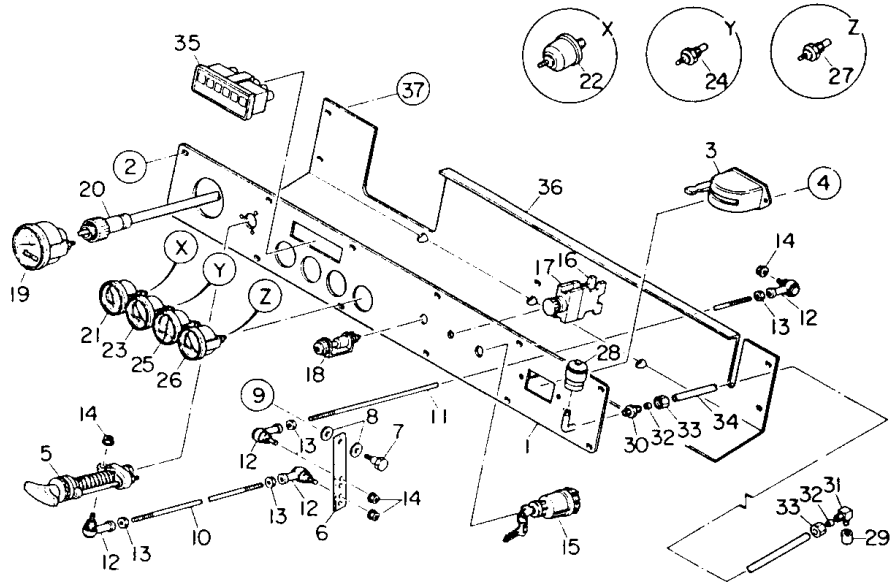
Ref.	A	B	C	D	Designation	Ref.	A	B	C	D	Designation
1	2914 6153 00		1	Control panel	33	2914 6158 00		1	Control panel
2	2900 5781 00		3	Grommet	34	2914 6159 00		1	Control panel
3	2900 5782 00		3	Retainer	35	2900 5153 00		4	Pin
4	0147 1247 03		18	Bolt	36	2900 6243 00		1	Frequency meter
5	2914 6154 00		2	Transformer	37	2914 6160 00		1	Ammeter
6	0160 6083 00		4	Screw	38	2900 5089 00		1	Switch
7	2914 6155 00		1	Circuit breaker	39	2900 6245 00		1	Voltmeter
7.1	2914 6156 00		1	Handle	40	2900 5090 00		1	Switch
9	2914 6052 00		1	Circuit breaker	41	2900 5095 00		1	Lamp holder
10	0160 6054 00		2	Screw	x	2900 5096 00		1	Lamp
x	0333 2212 00		2	Spring washer	42	2900 5107 00		1	Rheostat
11	2900 5164 00		1	Resistor	43	2900 5108 00		1	Knob
13	2914 6157 00		1	Mounting panel	44	2900 5095 00		2	Lamp holder
14	0147 1323 03		4	Bolt	45	2900 5103 00		1	Switch
15	2900 5099 00		1	Volage regul.	46	2900 6248 00		1	Switch
17	2914 6053 00		1	Timer	47	2900 6095 00		1	Relay
19	2900 5374 00		1	Unit, batt. sensor	47.1	***		1	Transformer
20	0160 6084 00		1	Screw	48	2900 6067 00		1	Bracket
21	2900 5098 00		1	Terminal block	50	0160 6039 00		2	Screw
22	0160 6042 00		2	Screw	51	0160 6083 00		2	Screw
23	2900 6239 00		2	Rectifier	52	2900 5016 00		1	Light
24	0160 6063 00		2	Screw	x	2900 6902 00		1	Lamp
25	2900 6249 00		1	Relay	56	2900 5200 00		2	Stay
x	2900 6250 00		1	Socket	59	2914 6161 00		1	Cover
x	2900 6472 00		1	Holder	60	0147 1246 03		8	Bolt
26	0160 6042 00		2	Screw	61	2914 6162 00		2	Panel
27	2900 6251 00		1	Relay	62	0147 1246 03		8	Bolt
28	0160 6060 00		2	Screw	63	2914 6163 00		1	Panel
29	2900 5373 00		1	Relay	64	0147 1246 03		8	Bolt
30	0160 6083 00		1	Screw	66	2900 6115 00		1	Earth cable
31	2900 6240 00		2	Relay	67	0147 1323 03		2	Bolt
x	2900 5102 00		2	Socket						
x	2900 6472 00		2	Holder						
32	0160 6042 00		4	Screw						

56_106_0_0_0



Engine cooling system
Motorkoelsysteem
Motorkylsystem
Motorkühlsystem
Système de refroidissement du moteur
Sistema de refrigeración del motor

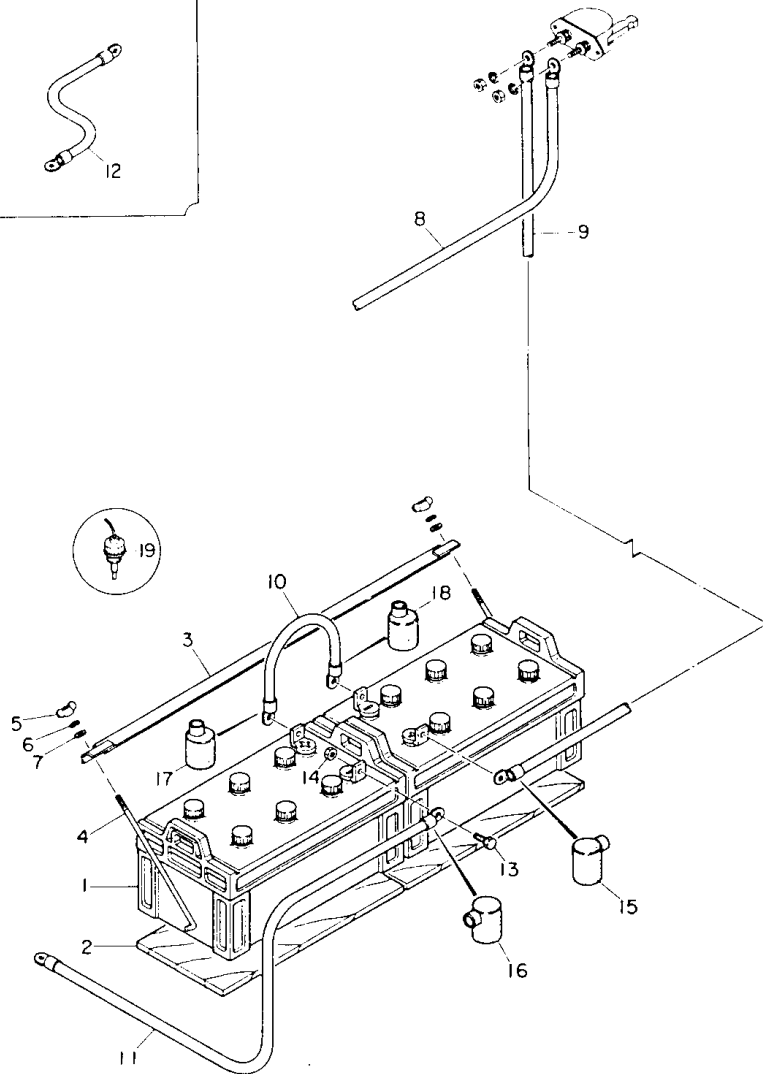
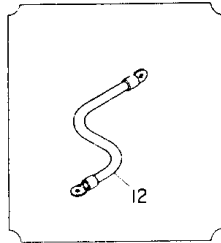
Ref.	A	B	C	D	Designation	Ref.	A	B	C	D	Designation
1	2900 6980 00		1	Engine	21	2900 5350 00		1	Oil filter element
				KOMATSU SA6D	22	2914 6172 00		1	Fuel filter element
				140-A	23	2914 6173 00		1	Corros. resistor elem.
2	2914 6164 00		1	Radiator	24	2914 6174 00		1	Engine support
				KOMATSU 6212-61-9901	26	0266 2115 00		2	Nut
4	2914 6165 00		2	Antivibration pad	27	0333 2145 00		2	Spring washer
				KOMATSU 6995-61-9230	29	2900 6900 00		4	Antivibration pad
8	2914 6166 00		2	Bracket	30	0266 2116 00		8	Nut
9	0147 1400 03		4	Bolt	32	2900 6271 00		1	Water tank
10	0333 2236 00		4	Lock washer	33	2900 6273 00		1	Cap
12	2914 6167 00		1	Hose	34	2914 6175 00		1	Bracket
				KOMATSU 6212-61-9610	35	2900 6267 00		1	Strap
13	2914 6168 00		1	Hose	36	0147 1249 03		1	Bolt
				KOMATSU 6212-61-9630	37	0147 1323 03		2	Bolt
14	2914 6169 00		1	Hose	44	2914 6181 00		1	Support
				KOMATSU 7261-02612	46	2914 6182 00		1	Support
20	2914 6171 00		1	Filter element	48	2914 6183 00		1	Panel
				KOMATSU 6128-81-7051						
						56_107_0_0_0					



Engine operating panel
 Motorbedieningspaneel
 Motors kontrollpanel
 Motorbedienungstafel
 Tableau, marche du moteur
 Panel de funcionamiento del motor

Ref.	A	B	C	D	Designation	Ref.	A	B	C	D	Designation
1	2914 6184 00		1	Fascia panel	26	2914 6190 00		1	Temp. gauge
2	0147 1247 03		12	Bolt	27	2914 6191 00		1	Unit, oil temp.
3	2900 5124 00		1	Switch	28	2900 5119 00		1	Warning device
5	2900 5181 00		1	Speed regulator	35	2900 5127 00		1	Indicator
6	2914 6185 00		1	Link	x	2900 6904 00		6	Lamp
7	2914 6186 00		1	Bolt	36	2914 6193 00		1	Cover
10	2914 6187 00		1	Link	37	0147 1323 03		5	Bolt
11	2914 6188 00		1	Link	38	2914 6194 00		1	Terminal board
12	2900 6142 00		4	Ball joint	39	2914 6195 00		5	Terminal
13	0266 2110 00		4	Nut	45	2914 6196 00		1	Earth cable
15	2900 5123 00		1	Switch	46	0147 1323 03		1	Bolt
					KOMATSU 600-815-5390	47	2914 6197 00		2	Cover
x	2912 6001 00		1	Key	48	0147 1323 03		10	Bolt
16	1089 0362 16		1	Push button	49	1089 0494 46		1	Cable box
17	***		1	Knob	50	0147 1207 03		4	Bolt
18	2900 5355 00		1	Light	51	2900 5185 00		2	Grommet
19	2900 5358 00		1	Tachometer	52	2900 5184 00		2	Retainer
20	2900 5360 00		1	Cable	54	2900 5195 00		2	Clamp
21	2900 5364 00		1	Pressure gauge	54.1	2900 6284 00		2	Seal
22	2900 5366 00		1	Unit, oil press.	56	2900 6285 00		2	Seal
23	2900 5367 00		1	Temperature gauge						
24	2914 6189 00		1	Unit, water temp.						
25	2900 5362 00		1	Ammeter						
						56_108_0_0_0					

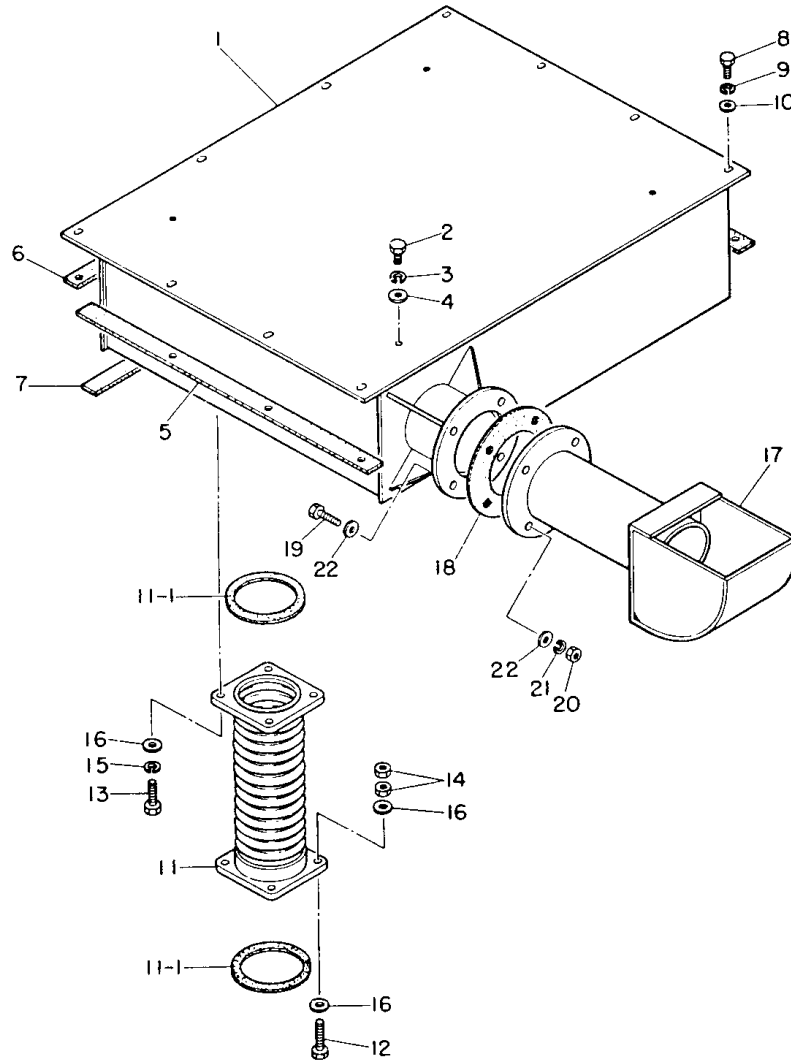
**Battery connections
 Batterij-aansluitingen
 Batterianslutningar
 Batterieanschlüsse
 Connexions de batterie
 Conexiones de batería**



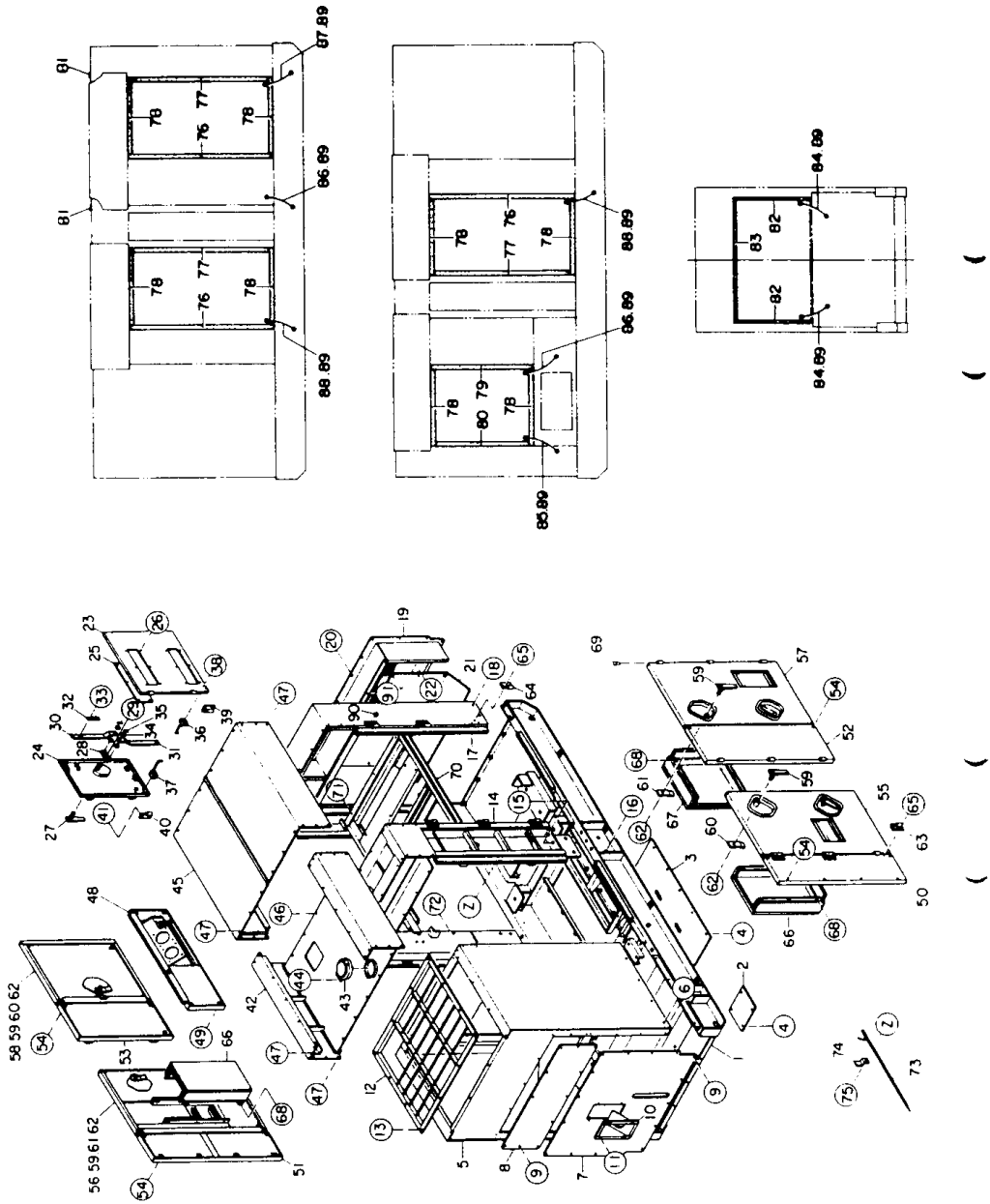
Ref.	A	B	C	D	Designation	Ref.	A	B	C	D	Designation
1	2914 6198 00			2	Battery	13	0147 1363 03			4	Bolt
2	2914 6199 00			2	Battery saddle	14	0266 2111 00			4	Nut
3	2914 6200 00			1	Clamp	15	2914 6207 00			1	Shroud
4	2914 6201 00			2	Tie rod	16	2914 6208 00			1	Shroud
5	0296 1110 00			2	Wing nut	17	2914 6209 00			1	Shroud
6	0333 2225 00			2	Spring nut	18	2914 6210 00			1	Shroud
8	2914 6202 00			1	Battery cable	19	2914 6211 00			1	Sensor
9	2914 6203 00			1	Battery cable						
10	2914 6204 00			1	Battery cable						
11	2914 6205 00			1	Battery cable						
12	2914 6206 00			1	Earth cable						

56_109_0_0_0

Exhaust
 Uitlaat
 Avgasning
 Auspuff
 Echappement
 Escape



Ref.	A	B	C	D	Designation	Ref.	A	B	C	D	Designation
1	2914 6212 00		1	Muffler	18	2914 6219 00		1	Gasket
11	2914 6216 00		1	Exhaust pipe	56_110_0_0					
11.1	2914 6217 00		2	Gasket						
17	2914 6218 00		1	Pipe						



Bodywork
Karosserie
Karosseri
Karosserie
Capotage
Carroceria

Ref.	A	B	C	D	Designation	Ref.	A	B	C	D	Designation
1	2914 6227 00		1	Frame	50	2914 6245 00		1	Panel
2	2914 6228 00		1	Bottom panel	51	2914 6246 00		1	Panel
3	2914 6229 00		1	Bottom plate	52	2914 6247 00		1	Panel
5	2914 6230 00		1	Panel	53	2914 6248 00		1	Panel
7	2914 6231 00		1	Plate	55	2914 6249 00		1	Door
8	2914 6232 00		1	Panel	56	2914 6250 00		1	Door
10	2900 6358 00		1	Bracket	57	2914 6251 00		1	Door
12	2914 6233 00		1	Grating	58	2914 6252 00		1	Door
14	2914 6234 00		1	Lifting beam	59	2900 5187 00		7	Handle
17	2914 6235 00		1	Panel	60	2900 5191 00		3	Latch
19	2914 6236 00		1	Cover	61	2900 5190 00		4	Latch
21	2914 6237 00		1	Plate	63	2914 6134 00		8	Hinge
23	2914 6238 00		1	Door	64	2914 6135 00		8	Hinge
24	2914 6239 00		1	Door	66	2914 6253 00		2	Air duct
25	2900 5482 00		2	Window	67	2914 6254 00		1	Panel
27	2900 6361 00		1	Handle	68	0147 1323 03		18	Bolt
28	2900 5189 00		1	Link	70	2914 6255 00		1	Support
30	2914 6240 00		1	Latch	71	0147 1363 03		3	Bolt
31	2914 6241 00		1	Latch	73	2900 6204 00		1	Earth pin
32	2900 5175 00		1	Spring	84	2914 6157 00		2	Earth cable
33	0160 6039 00		2	Screw	85	2914 6256 00		1	Earth cable
36	2900 6362 00		1	Stay	86	2900 6751 00		2	Earth cable
37	2900 6363 00		1	Stay	87	2914 6257 00		1	Earth cable
39	2914 6122 00		2	Hinge	88	2900 6159 00		2	Earth cable
40	2914 6123 00		2	Hinge	90	2900 6114 00		10	Seal
42	2914 6242 00		1	Roof						
43	2900 5402 00		1	Cap						
45	2914 6243 00		1	Roof						
48	2914 6244 00		1	Panel						

56_112_0_0_0

