

Parts List for AC Generators

QIX40 Dd

Parts list – Onderdelenlijst – Liste de pièces – Ersatzteilliste –
Lista de las partes – Reservdelsförteckning – Listino parti di ricambio –
Deleliste – Reservedelsliste – Κατάλογος Εξαρτημάτων – Lista de peças
– Osaluettelo.....3

Glossary – Woordenlijst – Glossaire – Glossar – Glosario –
Ordlista – Glossario – Ordliste – Ordliste – Γλωσσάριο – Glossário –
Sanasto91

Registration code

Collection: APC Q

Tab : 38

Printed Matter N°

2954 0322 00

03/2003

Atlas Copco

ATLAS COPCO - PORTABLE AIR DIVISION

www.atlascopco-compressors.com

PARTS INDEX

PART	PAGE	PART	PAGE
A			
AIR DUCT	29, 56	LABELS	15
AIR DUCT KIT	56	LIFTING FRAME	53
AIR FILTER	23, 88	LWA LABEL	78, 79
AIR FILTER ELEMENT	7	M	
ALTERNATOR	12, 13	MUFFLER KIT (LOOSE INDUSTRIAL)	62
AMF	43, 44, 45, 70, 71, 72	MUFFLER KIT (MOUNTED RESIDENTIAL)	63
B			
BAFFLE ASSY	34, 54	MUFFLER KIT (LOOSE RESIDENTIAL)	64
BASIC CUBICLE	16, 17, 18, 19, 24, 25, 26, 27	MUFFLER KIT (MOUNTED INDUSTRIAL)	65
BATTERY	14	N	
BATTERY CABLE	14	NO SOCKET PANEL	39, 75
BATTERY CHARGER	37, 77	NO TERMINAL BOARD	8, 20
BUILT-IN FUELTANK	47	O	
C			
CANOPY KIT	59	OIL COOLER	23, 88
CONTROL PANEL	40, 41, 42, 43, 44, 45	OIL DRAIN PUMP	52
.....	67, 68, 69, 70, 71, 72	OIL FILTER	7
COOLANT HEATER	66	OIL HEATER KIT	66
CIRCUIT BREAKER	24, 25, 26, 27, 28	OILPRESSURE SWITCH	23, 88
CUBICLE	24, 25, 26, 27	P	
CUBICLE AND ACCESSORIES	16, 17, 18, 19	PANEL ASSY	31, 33, 54, 59, 85, 89
CURRENT TRANSFORMER	24, 25, 26, 27	PRE FUEL FILTER	7
D			
DECALS	15	R	
DOOR ASSY	59, 84, 87	REMOTE START	40, 41, 42, 67, 68, 69
E			
EARTH LEAKAGE RELAY	35, 73	ROOF PANEL ASSY	32, 54
ELECTRICAL FUELPUMP	49	S	
ELECTRICAL SYSTEM	14	SERVICE PAKS	7
EMERGENCY STOP	24, 25, 26, 27	SKID ASSY	46, 86
END BRACKET ASSY	24, 25, 26, 27, 28	SKID KIT	81
ENGINE AND ACCESSORIES	11, 51	SKID AND MOUNTS	46, 81
ENGINE WITHOUT ELECTRONIC SPEED CONTROL	11, 23	SPEED CONTROLLER	88
ENGINE WITH ELECTRONIC SPEED CONTROL	51, 88	SPILLAGE FREE	30, 80
EXHAUST PIPE	54, 62, 63, 64, 65	SPILLAGE FREE KIT	30, 90
EXTERNAL FUELTANK VALVES KIT	48	SOUND ATTENUATED CANOPY	57
F			
FAN	23, 88	STONE GUARD KIT	29, 58
FRAME	9, 22, 86	SUPER SOUND ATTENUATED EXTENSIONS	54
FRAME AND MOUNTS	9	T	
FUEL FILTER	7, 10, 21, 47	TEMPERATURE SWITCH	14
FUEL LEVEL SHUT DOWN	50	TERMINAL	24, 25, 26, 27, 28
FUEL LEVEL SWITCH	50	40, 41, 42, 43, 44, 45
FUEL PUMP	49	TERMINAL BOARD	38, 76
FUEL PUMP CONTROL UNIT	28, 49	THREE WAY VALVE	48
FUEL SYSTEM	10	V	
FUEL TANK ASSY	47, 83	V-BELT	23, 88
FUEL TANK CAP	83		
FUEL TANK INDICATOR	82, 83		
FUEL TANK PLUG	83		
FUSE HOLDER	24, 25, 26, 27		
FUSE	24, 25, 26, 27		
H			
HEAT SHIELD KIT	60		
HOT SPOT GUARDS	61		
HOUSEMARK	15		
I			
IT-RELAY	36, 74		
K			
KEY	59		

ORDERING SPARE PARTS

Always quote the part number, the designation and the quantity of the parts required, as well as the type and the serial number of the machine.

EXPLANATION OF THE COLUMNS

REF : REFERENCE CODE

Establishes the connection between a part in the list and a part in the illustration.

"-" means that the part is not shown in the illustration.

PART NUMBER

If no part number is given, the part cannot be obtained as a spare part. Parts marked with a dot are part of the assembly listed right above them.

DESIGNATION

Usually this is the name of the part. For standard parts, in addition to the name, a number of characteristics are given.

QTY : QUANTITY

Indicates the quantity of the part concerned. "AR" stands for "As Required".

BESTELLEN VAN ONDERDELEN

Vermeld steeds het onderdeelnummer, de benaming en het aantal van de gewenste stukken, evenals het type en het serienummer van de machine.

TOELICHTING BIJ DE KOLOMMEN

REF : REFERENTIECODE

Legt het verband tussen een onderdeel uit de lijst en een onderdeel op de tekening. "-" betekent dat het onderdeel niet is getekend.

PART NUMBER : ONDERDEELNUMMER

Indien niet opgegeven is het onderdeel niet als wisselstuk beschikbaar. Onderdelen aangeduid met een stip maken deel uit van het geheel dat boven de betreffende onderdelen staat.

DESIGNATION : BENAMING

Meestal de benaming van het onderdeel. In het geval van standaard onderdelen worden naast de benaming een aantal karakteristieken opgegeven.

QTY : AANTAL

Geeft de hoeveelheid van het betreffende onderdeel weer. De aanduiding "AR" betekent "As Required" (zoals vereist).

COMMANDE DE PIÈCES DETACHEES

Toujours indiquer le numéro de pièce, la désignation, la quantité désirée ainsi que le type et le numéro de série du groupe.

EXPLICATION DES INTITULES DES COLONNES

REF : CODE DE REFERENCE

Réfère à la pièce détachée spécifiée dans la liste et sur l'illustration. "-" implique que la pièce n'est pas indiquée sur l'illustration.

PART NUMBER : NUMERO DE PIECE DETACHEE

Si le numéro n'est pas indiqué, la pièce n'est pas disponible en tant que pièce de rechange.

Les pièces indiquées par un point gras font partie de l'ensemble se trouvant au-dessus des pièces détachées correspondantes.

DESIGNATION

En général, le nom de la pièce. S'il s'agit de pièces standard, outre la désignation, un certain nombre de caractéristiques sont indiquées.

QTY : QUANTITE

Indique la quantité de la pièce détachée. "AR" indique "As required", c'est-à-dire la quantité à déterminer selon le cas.

BESTELLUNG VON ERSATZTEILEN

Stets die Teilenummer, die Bezeichnung, und die Anzahl der gewünschten Teile sowie den Typ und die Seriennummer der Maschine angeben.

INFORMATION ZU DEN SPALTEN

REF : REFERENZCODE

Stellt die Verbindung zwischen einem Teil in der Liste und einem Teil auf der Zeichnung her. "-" bedeutet, daß das Teil nicht in der Zeichnung dargestellt ist.

PART NUMBER : TEILENUMMER

Wenn keine Teilenummer angegeben ist, ist das Teil nicht als Ersatzteil erhältlich.

Mit einem Punkt markierte Teile gehören zu der Einheit, die über den jeweiligen Teilen aufgeführt ist.

DESIGNATION : BEZEICHNUNG

Meistens die Bezeichnung des Teils. Bei Standardteilen werden neben der Bezeichnung einige technische Daten angegeben.

QTY : ANZAHL

Gibt die Anzahl des betreffenden Teils an. Die Angabe "AR" steht für "As Required" (wie erforderlich).

PEDIDO DE PARTES

Siempre comunicar el número de parte, la designación y la cantidad deseada así como el tipo y el número de serie de la máquina.

INFORMACIONES SOBRE LAS COLUMNAS

REF : CODIGO DE REFERENCIA

Establece la conexión entre una parte en la lista y una parte en la ilustración.

"-" quiere decir que la parte no está ilustrada.

PART NUMBER : NUMERO DE PARTE

Si no se da ningún número, quiere decir que la parte no está disponible como parte de recambio.

Partes marcadas con un punto son partes del conjunto indicado más arriba.

DESIGNATION : DESIGNACION

Principalmente el nombre de la parte. En caso de partes estándares, el nombre es seguido por especificaciones.

QTY : CANTIDAD

Indica la cantidad de la parte correspondiente. La indicación "AR" significa "As Required" (como sea requerido).

BESTÄLLNING AV RESERVDELAR

Ange alltid reservdelsnummer, benämning och kvantitet för varje önskad detalj samt maskinens typ och tillverkningsnummer.

TÖRKLARING AV SPALTER

REF : REFERENSNUMMER

Identifierar motsvarande detaljer i listan och illustrationen. "-" betyder att detaljen inte visas i illustrationen.

PART NUMBER : RESERVDELSNUMMER

Om inget reservdelsnummer anges, kan detaljen inte erhållas som reservdel. Detaljer som anges med en punkt ingår i den monteringssets som listas ovanför dessa.

DESIGNATION : BENÄMNING

Detta är vanligen namnet på detaljen. För standarddetaljer anges förutom namnet ett antal specifikationer.

QTY : KVANTITET

Anger den ifrågavarande detaljens kvantitet. "AR" (As Required) betyder enligt behov.

ORDINAZIONE DI PARTI DI RICAMBIO

Menzionare sempre il numero della parte, la denominazione e il numero de pezzi desiderati, nonché il tipo e il numero di serie della macchina.

SPIEGAZIONE DELLE COLONNE

REF : CODICE DI RIFERIMENTO

Stabilisce il nesso tra un pezzo nell'elenco e un pezzo nell'illustrazione. "-" significa che il pezzo non è presente nell'illustrazione.

PART NUMBER : NUMERO DELLA PARTE

Nel caso non sia fornito il numero di parte, il pezzo non può essere ordinato come parte di ricambio.

Il componenti indicati con un puntino fanno parte del gruppo elencato immediatamente sopra di essi.

DESIGNATION : DENOMINAZIONE

Generalmente si tratta della denominazione della parte. Per i pezzi standard oltre alla denominazione sono fornite alcune caratteristiche.

QTY : QUANTITÀ

Indica la quantità dei pezzi in questione. "AR" significa "As Required" (Come richiesto).

BESTÄLLNING AV RESERVDELAR

Ange alltid reservdelsnummer, benämning och kvantitet för varje önskad detalj samt maskinens typ och tillverkningsnummer.

TÖRKLARING AV SPALTER

REF : REFERENSNUMMER

Identifierar motsvarande detaljer i listan och illustrationen. "-" betyder att detaljen inte visas i illustrationen.

PART NUMBER : RESERVDELSNUMMER

Om inget reservdelsnummer anges, kan detaljen inte erhållas som reservdel. Detaljer som anges med en punkt ingår i den monteringsatts som listas ovanför dessa.

DESIGNATION : BENÄMNING

Detta är vanligen namnet på detaljen. För standarddetaljer anges förutom namnet ett antal specifikationer.

QTY : KVANTITET

Anger den ifrågavarande detaljens kvantitet. "AR" (As Required) betyder enligt behov.

BESTILLING AV RESERVEDELER

Opggi alltid delenummer, betegnelse og antall på de delene du trenger, samt maskintype og serienummer.

FORKLARING TIL SPALTENE

REF: REFERANSEKODE

Viser hvor en del i listen er vist på illustrasjonen. "-" betyr at delen ikke er vist på illustrasjonen.

DELENUMMER

Hvis delenummer ikke er oppgitt, kan delen ikke bestilles som reservedel. Deler merket med en prikk er del av enheten som er oppgitt like ovenfor de aktuelle delene.

BETEGNELSE

Dette er vanligvis delens navn. Ved standarddeler blir enkelte karakteristika oppgitt i tillegg til navnet.

ANT: ANTALL

Opggir antallet av den aktuelle delen. "EB" betyr "Etter behov".

ΔΡΑΡΑΪΪΕΪΑ ΑΝΤΑΪΪΑΚΤΙΚΩΝ

Πάντοτε σημειώνετε τον κωδικό, τον προσδιορισμό και την ποσότητα των απαιτούμενων ανταλλακτικών, καθώς επίσης τον τύπο και τον αύξοντα κωδικό αριθμό παραγωγής του μηχανήματος.

ΕΪΗΪΗΪΗ ΤΩΝ ΪΤΗΪΩΝ

REF : ΚΪΪΪΚΟ ΑΝΑ ΪΡΑΪ

Παρουσιάζει τη σχέση μεταξύ ενός εξαρτήματος στη λίστα και ενός εξαρτήματος στη φωτογραφία. Το "-" σημαίνει ότι το εξάρτημα δεν εμφανίζεται στη φωτογραφία.

PART NUMBER : ΚΪΪΪΚΟΪ ΑΡΪΪΜΪΪ

Αν δεν δίνεται κάποιος κωδικός αριθμός, τότε το εξάρτημα δεν μπορεί να ληφθεί ως ανταλλακτικό.

Τα εξάρτηματα που έχουν μαρκάρηθεί με μία τελεία είναι τμήματα του συστήματος που παρουσιάζεται ακριβώς πάνω από αυτά.

DESIGNATION : ΔΡΟΪΪΪΪΪΪΜΪΪ

Συνήθως αυτό είναι το όνομα του εξαρτήματος. Για τα βασικά εξάρτηματα, επιπροσθέτα στην ονομασία, δίνεται και ένας αριθμός χαρακτηριστικών.

QTY : ΔΟΪΪΪΤΗΤΑ

Δηλώνει την ποσότητα του υπόψη εξαρτήματος. "AR" σημαίνει "Ός απαιτείται". Για τα βασικά εξάρτηματα, η ποσότητα δίνεται στη φωτογραφία παρά στη λίστα.

ONCOMENDAS DE PEÇAS

Refira sempre o número da peça, a designação e a quantidade das peças que pretende encomendar, assim como o tipo e o número de série do aparelho.

EXPLICAÇÃO DAS COLUNAS

REF : CΪΪΪGO DE REFERΪNCIA

Estabeleça a ligação entre a peça na lista e a peça no desenho. "-" significa que a peça não vem no desenho.

PART NUMBER : NΪΪΜΕΡΟ DA PEÇΑ

Se não vier referido o número da peça, a peça não pode ser adquirida como peça sobressalente.

As peças marcadas com pontos são peças de um conjunto listado acima dessa peça.

DESIGNATION : DESIGNAÇÃO

Generalmente é o nome da peça. Para peças normalizadas, além do nome da peça, vem também referido um número.

QTY : QUANTIDADE

Indica a quantidade da peça em questão. "AR" (As Required) quer dizer "Como solicitado".

VARAOSIEN TILAAMINEN

Tilauksessa tulee aina mainita osanumero, nimike ja määrä sekä kompressorin tyyppi ja sarjanumero.

SARAKKEIDEN SELITYKSET

REF: VIITE: VIITEKODI

Viitekoodi yhdistää luettelossa mainitun osan kuvassa olevaan. "-" tarkoittaa, että osaa ei ole merkitty kuvaan.

PART NUMBER: OSANUMERO

Ellei osanumero ole mainittu, osaa ei ole saatavana varaosana. Pisteellä merkityt osat kuuluvat niiden edellä mainittuun asennelmaan.

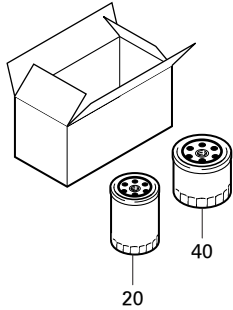
DESIGNATION: NIMIKE

Nimikkeenä käytetään tavallisesti osan nimeä. Vakio-osien ollessa kyseessä mainitaan nimen lisäksi osan joitakin ominaisuuksia.

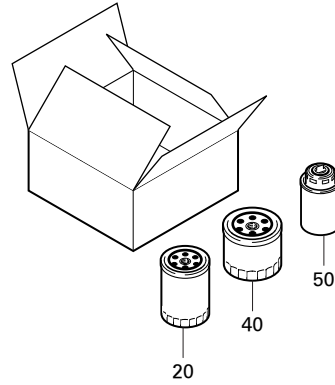
QTY: MÄÄRÄ

Tarkoittaa kyseisten osien lukumäärää. "AR" tarkoittaa "tarpeen mukaan".

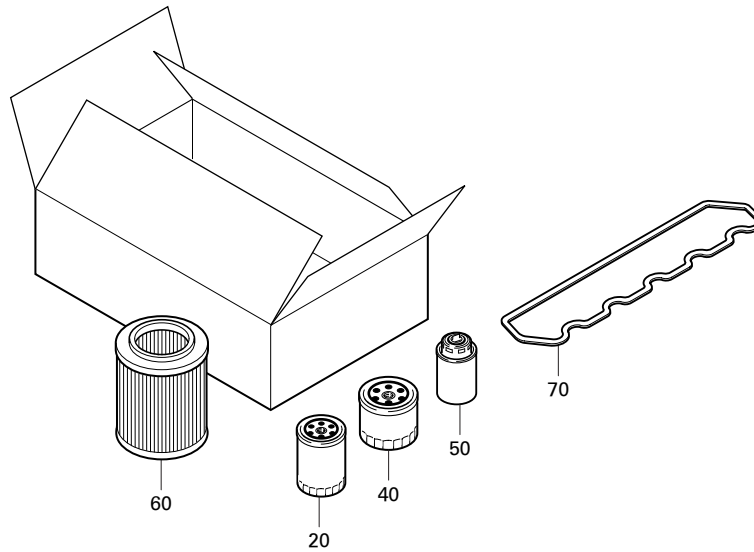
SERVICE PAK 50 h



SERVICE PAK 500 h



SERVICE PAK 1000 h



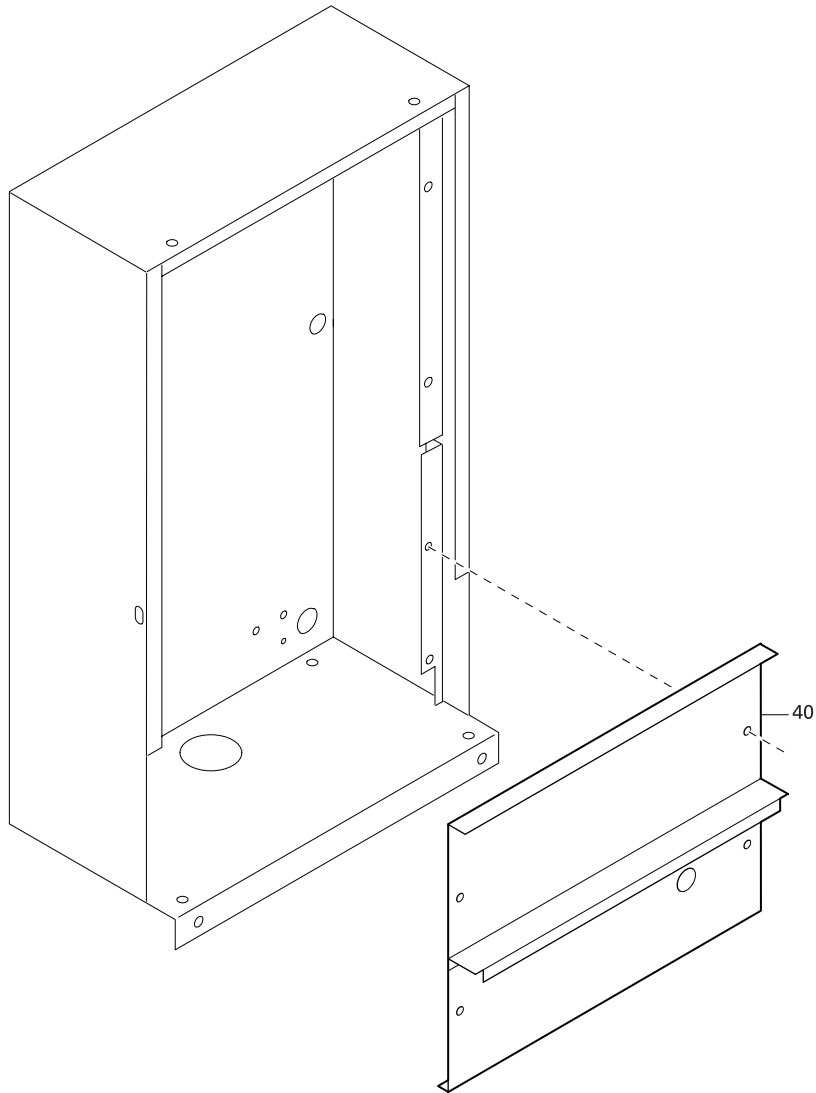
REF	PART NUMBER	DESIGNATION	QTY	REF	PART NUMBER	DESIGNATION	QTY
	WITH UNIT	SERVICE PAK 50 HRS					
• 20	-	OIL FILTER ELEMENT	1				
• 40	-	FILTER ELEMENT	1				
	2912 4316 05	SERVICE PAK 500 HRS					
• 20	-	OIL FILTER ELEMENT	1				
• 40	-	FILTER ELEMENT	1				
• 50	-	FILTERELEMENT	1				
	2912 4318 06	SERVICE PAK 1000 HRS					
• 20	-	OIL FILTER ELEMENT	1				
• 40	-	FILTER ELEMENT	1				
• 50	-	FILTERELEMENT	1				
• 60	-	AIR FILTER	1				
• 70	-	ROCKER COVER	1				

NO TERMINAL BOARD
GEEN KLEMMENBORD
PAS DE PLANCHE A BORNES
KEIN KLEMMENBRETT
SIN TABLERO DE TERMINALES
INGEN KOPPLINGSPLINT

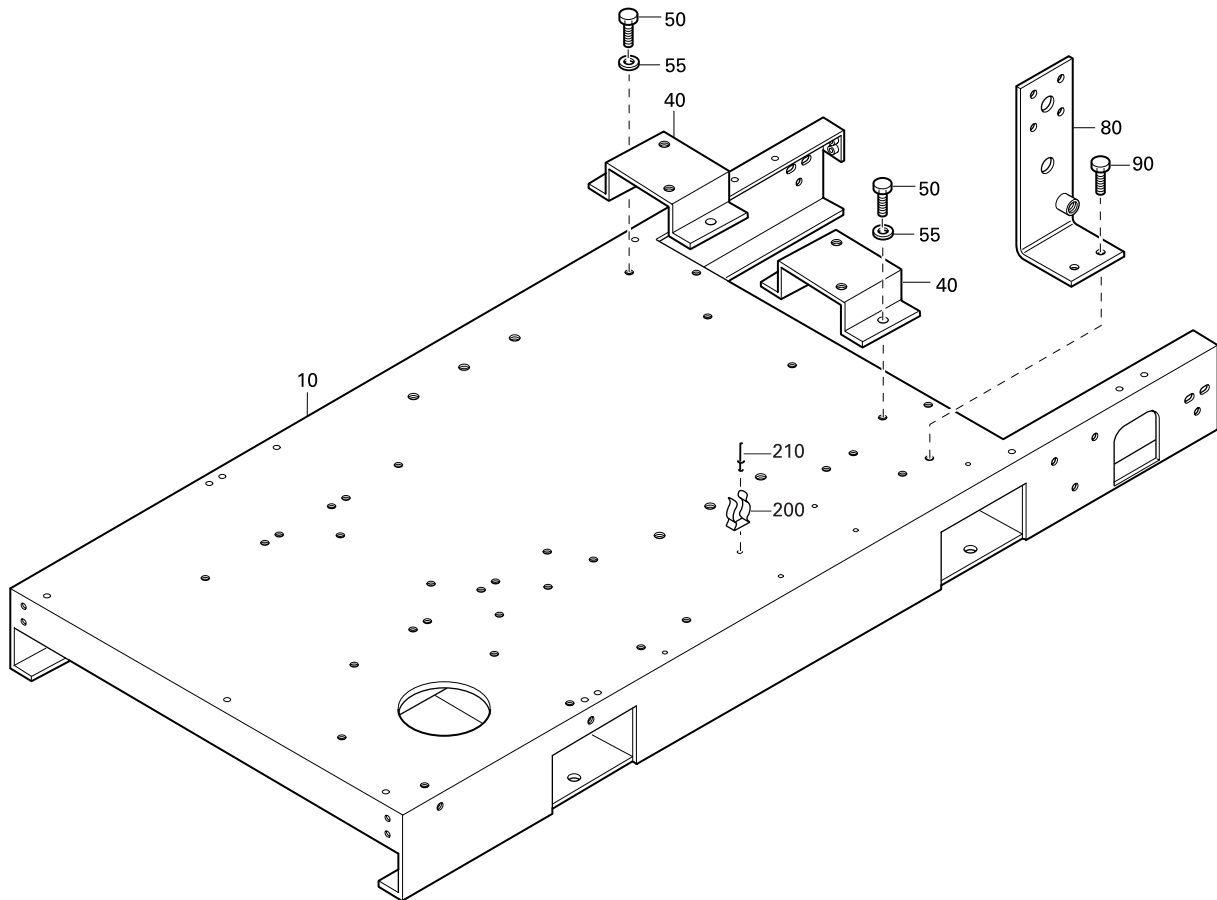
STANDARD

QIX40 Dd

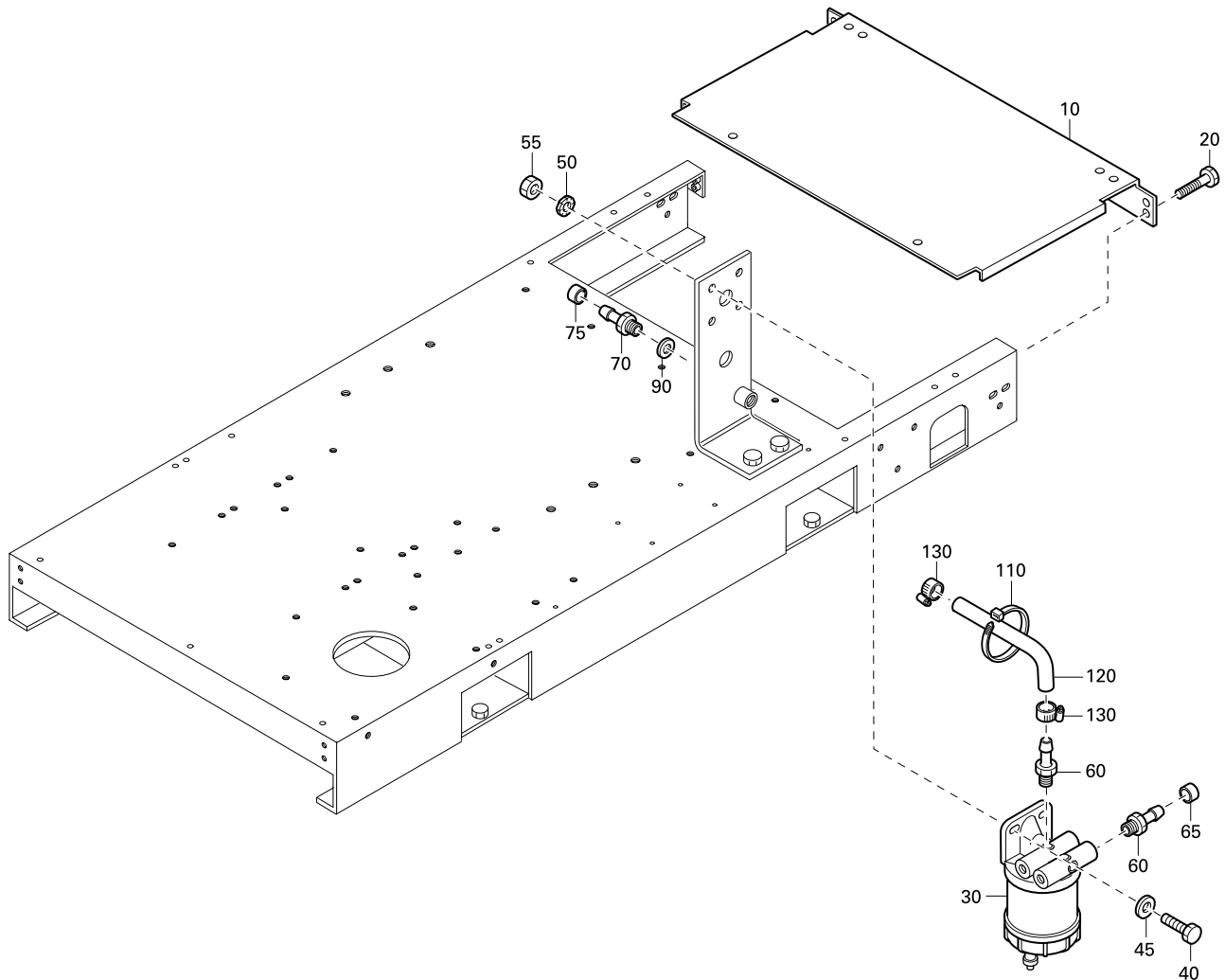
MORSETTIERA ASSENTE
IKKE KOPLINGSTAVLE
INTET KLEMBRÆT
ΧΩΡΙΣ ΤΕΡΜΑΤΙΚΟ ΠΙΝΑΚΑ
SEM PLACA DE TERMINAIS
EI KYTKINTAULUA



REF	PART NUMBER	DESIGNATION	QTY	REF	PART NUMBER	DESIGNATION	QTY
-	1604 4660 80	NO TERMINAL BOARD Item of list on page 20	1				
• 40	1615 9801 01	PLATE	1				



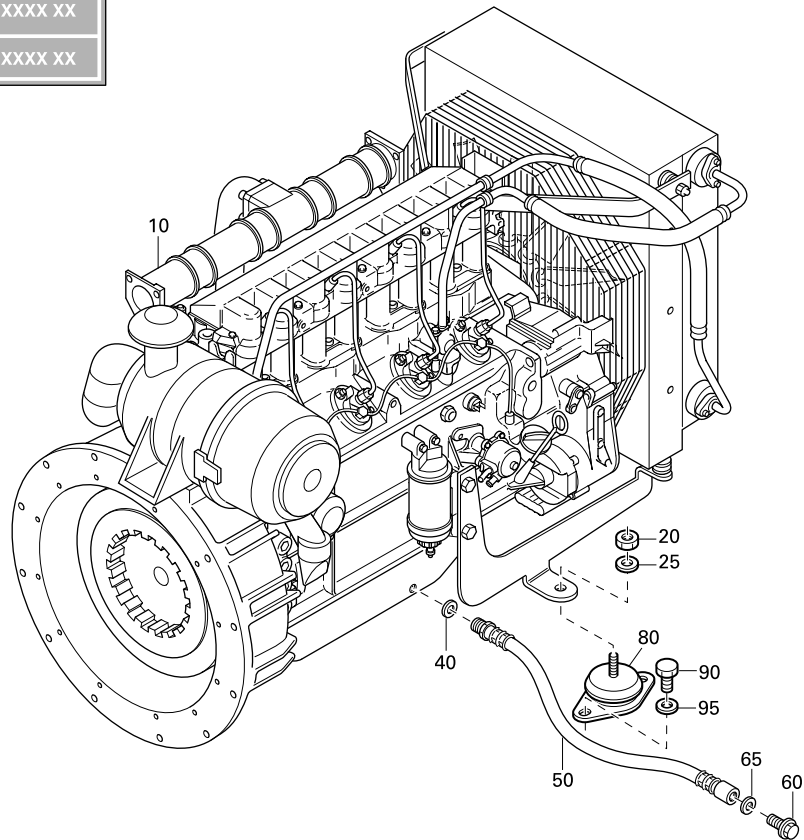
REF	PART NUMBER	DESIGNATION	QTY	REF	PART NUMBER	DESIGNATION	QTY
10	1615 9800 85	FRAME ASS'Y (For details see page 22)	1				
40	1615 9804 00	SUPPORT	2				
50	0147 1323 15	HEX. HEAD SCREW	4				
55	0301 2335 00	PLAIN WASHER	4				
80	1615 9806 01	SUPPORT	1				
90	1619 2766 00	BOLT	2				
200	1079 3461 02	HOSE CLIP	1				
210	0129 3108 00	BLIND RIVET	1				



REF	PART NUMBER	DESIGNATION	QTY	REF	PART NUMBER	DESIGNATION	QTY
10	1615 9827 00	PLATE	1				
20	1619 2766 00	BOLT	4				
30	1615 8929 00	FUELFILTER	1				
		(For details see page 21)					
40	0147 1363 03	HEX. HEAD SCREW	2				
45	0301 2344 00	PLAIN WASHER	2				
50	0333 3232 00	LOCK WASHER	2				
55	0266 2111 00	HEXAGON NUT	2				
60	1615 8934 00	HOSE NIPPLE	2				
65	0686 9252 72	PROTECTIVE CAP	1				
70	0571 0020 24	HOSE NIPPLE	2				
75	0686 9252 71	PROTECTIVE CAP	1				
90	0653 1062 00	FLAT GASKET	2				
110	1088 1301 02	CABLE STRIP	2				
120	0075 4005 55	FUEL HOSE	AR				
130	0347 6103 00	HOSE CLAMP	2				



400



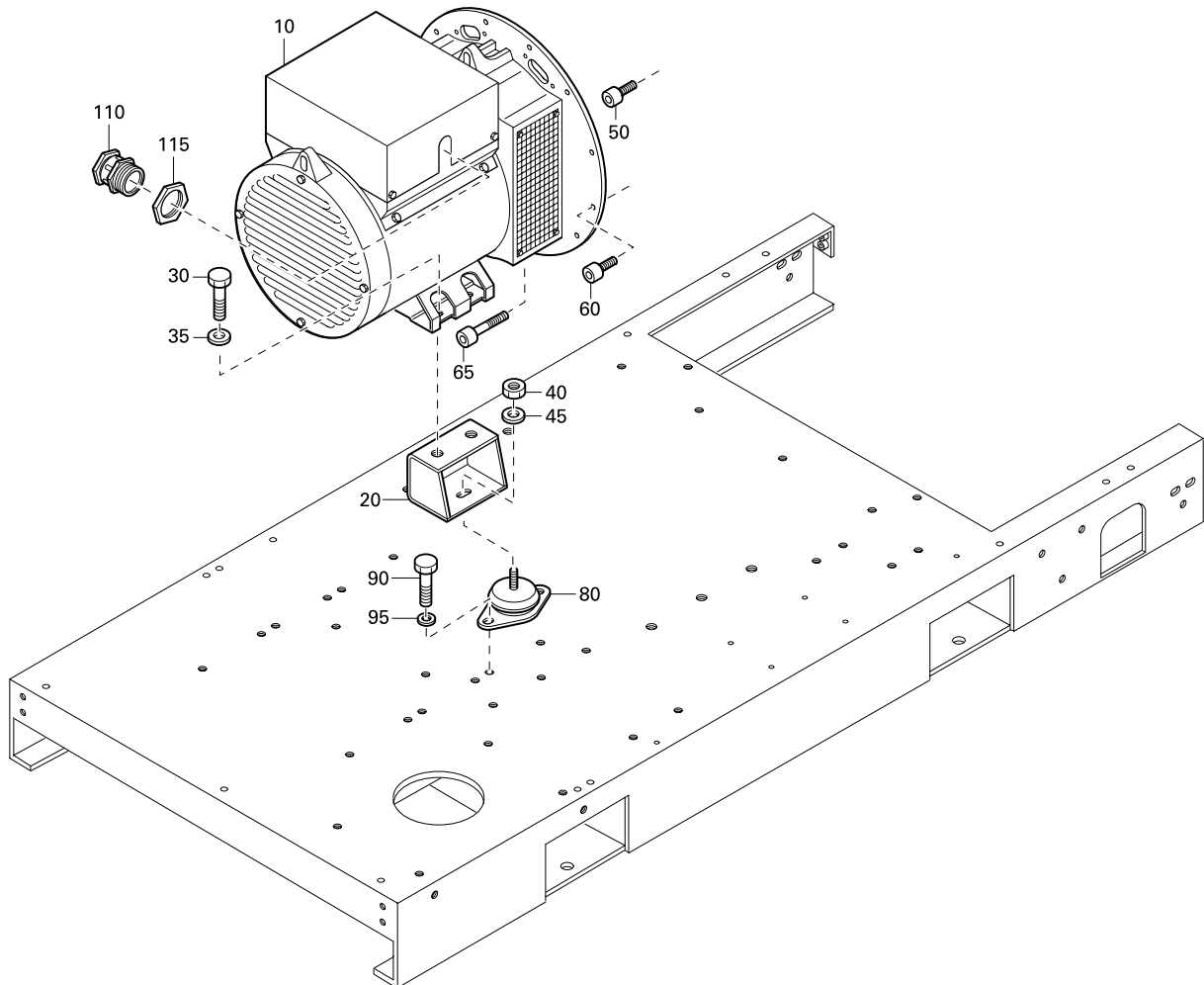
REF	PART NUMBER	DESIGNATION	QTY	REF	PART NUMBER	DESIGNATION	QTY
10	1615 9807 80	ENGINE (For details see page 23)	1				
20	0291 1111 00	LOCKNUT	2				
25	0302 1274 01	PLAIN WASHER	2				
40	0661 1030 00	SEALING WASHER	1				
50	1615 9822 00	HOSE ASSEMBLY	1				
60	0686 3716 02	HEXAGON PLUG	1				
65	0661 1033 00	SEALING WASHER	1				
80	1619 5506 85	BUFFER ASSEMBLY	2				
90	0147 1323 15	HEX. HEAD SCREW	4				
95	0301 2335 00	PLAIN WASHER	4				
400	1604 1081 00	LABEL	1				

ALTERNATOR
 ALTERNATOR
 ALTERNATEUR
 WECHSELSTROMGEN.
 ALTERNADOR
 VÄXELSTRÖMGEN.

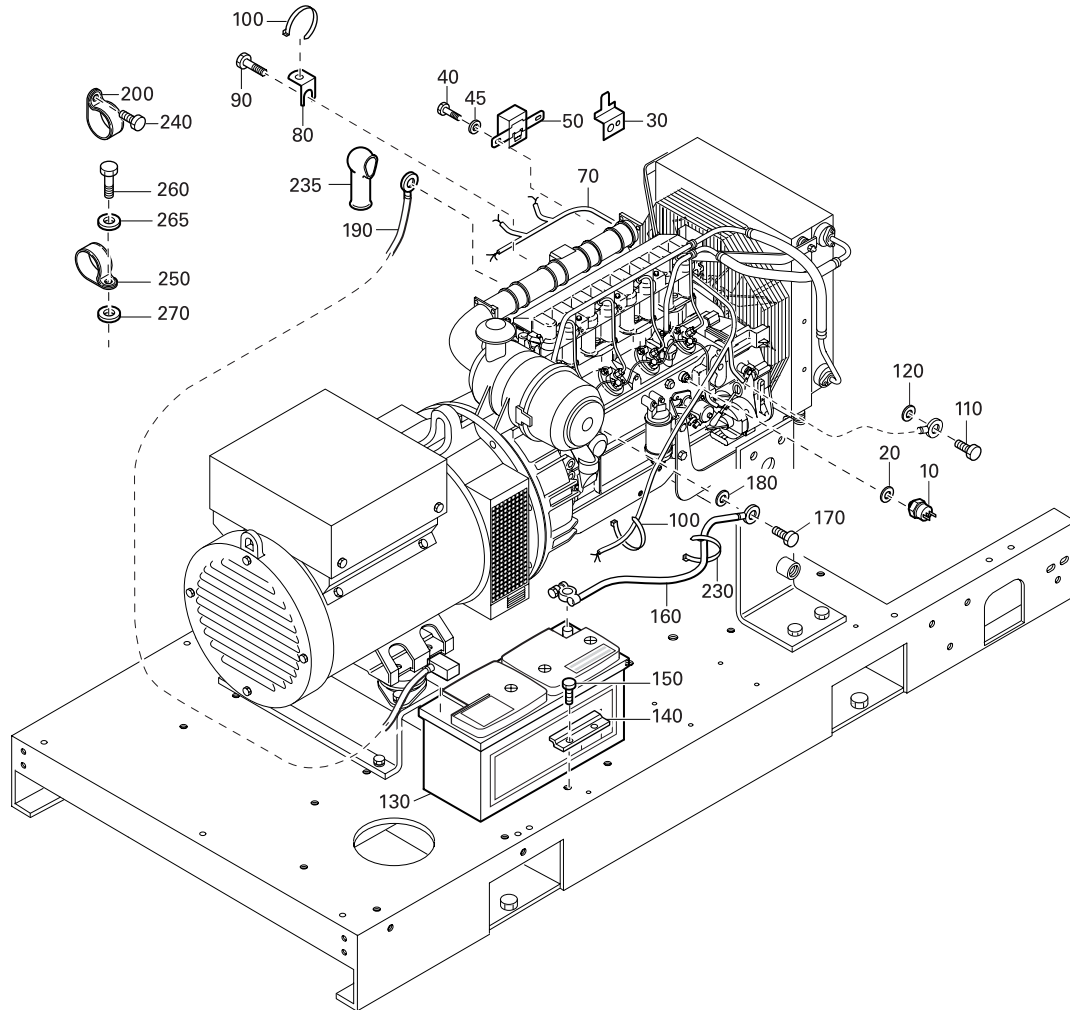
STANDARD

QIX40 Dd
220-240 V - 1 ph
380 V - 3 ph

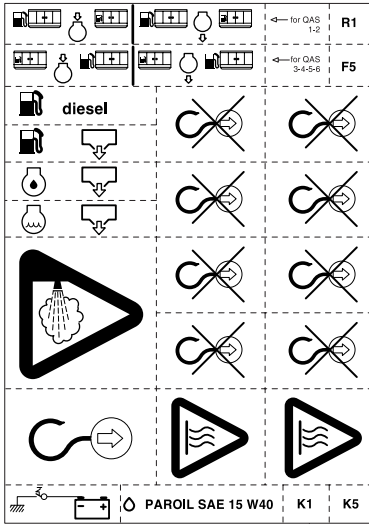
ALTERNATORE
 DYNAMO
 VEKSELSTRØMGENERATOR
 ENAMMAKHE
 ALTERNADOR
 VAIHTOVIRTALATURI



REF	PART NUMBER	DESIGNATION	QTY	REF	PART NUMBER	DESIGNATION	QTY
10	1082 3067 33	ALTERNATOR	1				
20	1604 2273 00	SUPPORT	2				
30	0147 1442 03	HEX. HEAD SCREW	4				
35	0301 2371 00	PLAIN WASHER	4				
40	0291 1111 00	LOCKNUT	2				
45	0302 1274 01	PLAIN WASHER	2				
50	0211 1360 03	HEX SOCK. SCREW	8				
60	0211 1362 03	HEX SOCK. SCREW	10				
65	0211 1963 55	HEX SOCK. SCREW	2				
80	1619 5506 85	BUFFER ASSEMBLY	2				
90	0147 1323 15	HEX. HEAD SCREW	4				
95	0301 2335 00	PLAIN WASHER	4				
110	1088 0256 27	CABLE GLAND	1				
115	0697 9808 00	NUT	1				



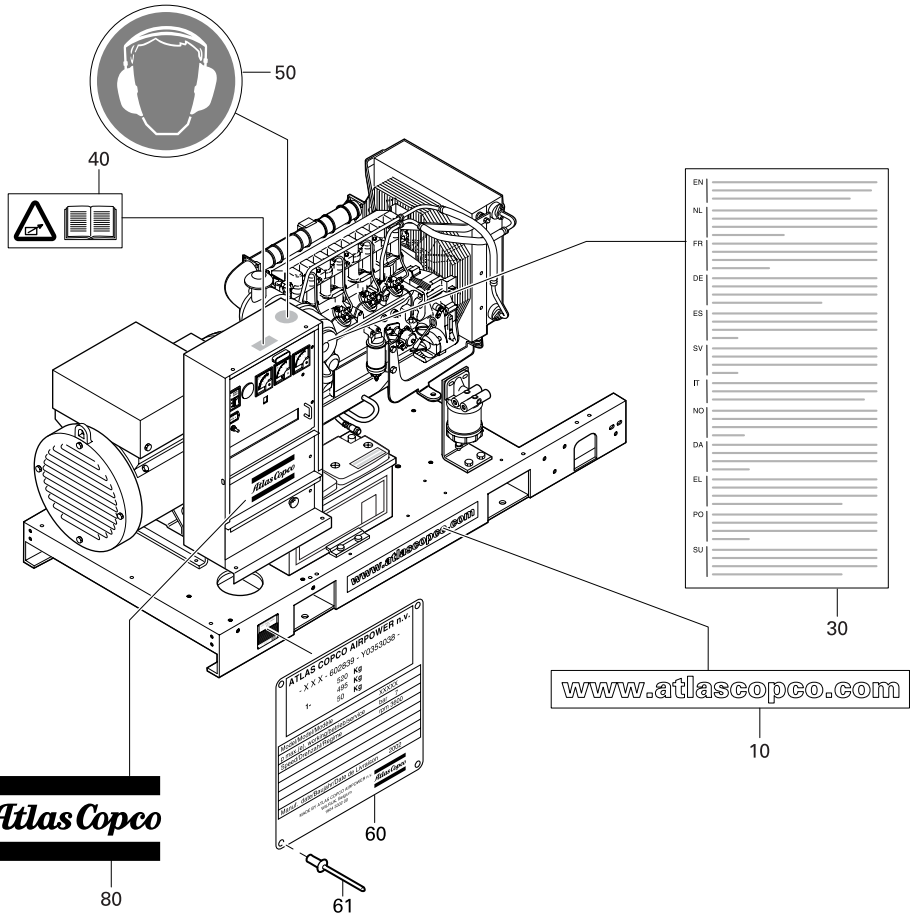
REF	PART NUMBER	DESIGNATION	QTY	REF	PART NUMBER	DESIGNATION	QTY
10	1089 0600 05	TEMPERATURE SWITCH	1	230	1088 1301 02	CABLE STRIP	2
20	0653 1070 00	FLAT GASKET	1	235	1619 3729 00	PROTECT.CAP	1
30	1615 9849 00	SUPPORT	1	240	1619 2766 00	BOLT	4
40	0147 1437 03	HEX. HEAD SCREW	1	250	1613 0801 08	CLAMP	1
45	0333 3242 00	LOCK WASHER	1	260	0147 1243 03	HEX. HEAD SCREW	1
50	1089 0585 01	RELAY	1	265	0301 2321 00	PLAIN WASHER	1
70	1615 9825 01	WIRE HARNESS	1	270	1088 0019 06	CONTACT WASHER	1
80	1613 0809 01	BRACKET	2				
90	1619 2766 00	BOLT	2				
100	1088 1301 02	CABLE STRIP	3				
110	1619 2766 00	BOLT	1				
120	1088 0019 01	CONTACT WASHER	1				
130	0926 5400 06	BATTERY	1				
140	1615 6067 01	CLAMP	2				
150	1619 2766 00	BOLT	4				
160	1615 9834 00	BATTERY CABLE	1				
170	1619 2766 00	BOLT	1				
180	1088 0019 01	CONTACT WASHER	1				
190	1615 0866 20	BATTERY CABLE	1				
200	1613 0804 02	PIPE CLAMP	2				



20

Atlas Copco QIX 15 - QIX 16 - QIX 20 - QIX 22 QIX 27 - QIX 30 - QIX 40 - QIX 44		
SERVICE PAK		
	500 h	2912 4316 05
	1000 h (or yearly)	2912 4317 06
	QIX15-16-20-22	2912 4317 06
	QIX 27-30-40-44	2912 4318 06
PAROIL SAE 15W40 (Engine oil)		
	5 L (1.3 US gal)	1615 5953 00
	20 L (5.2 US gal)	1615 5954 00
	208 L (55 US gal)	1615 5955 00

70

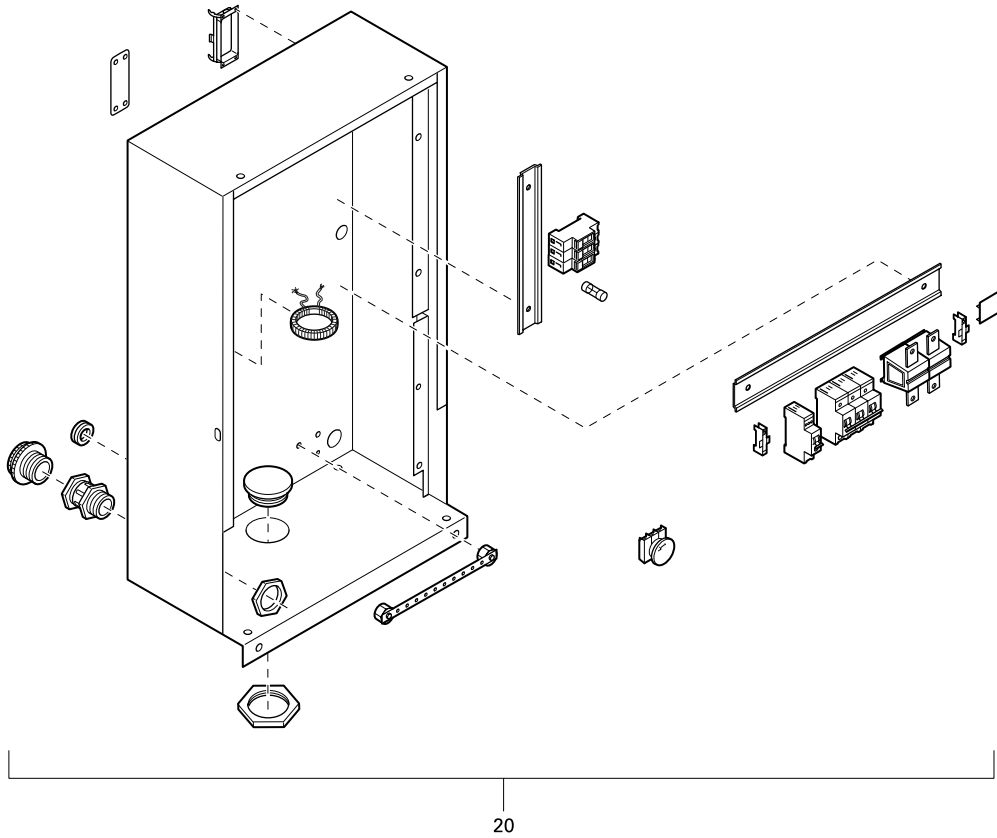


Atlas Copco

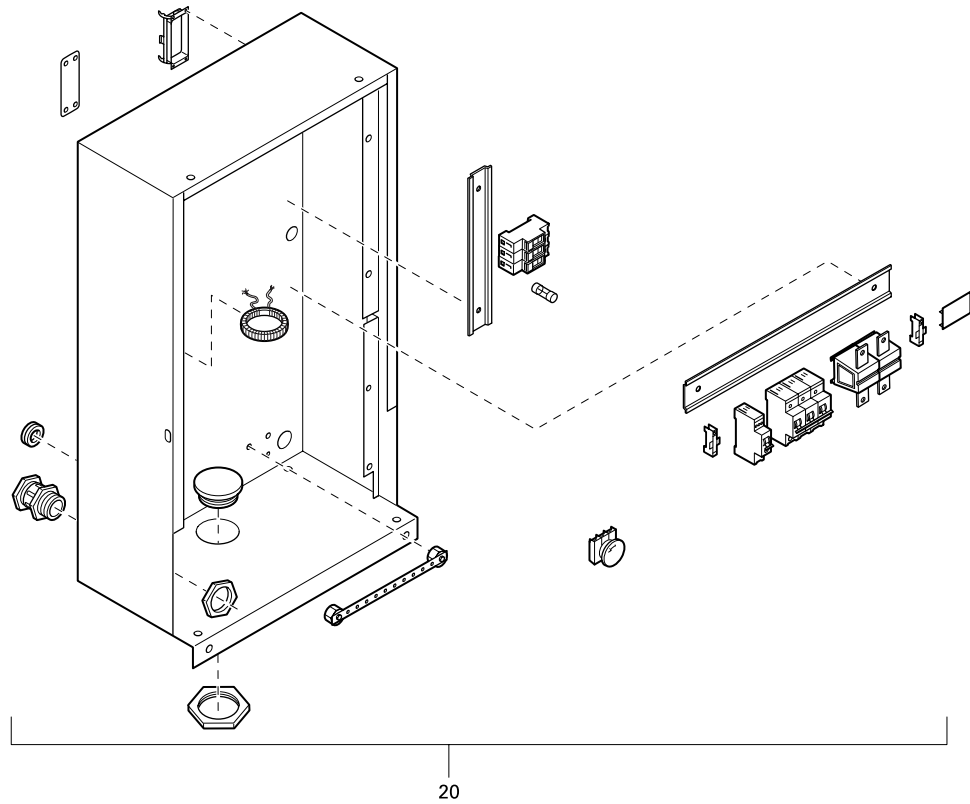
80

61

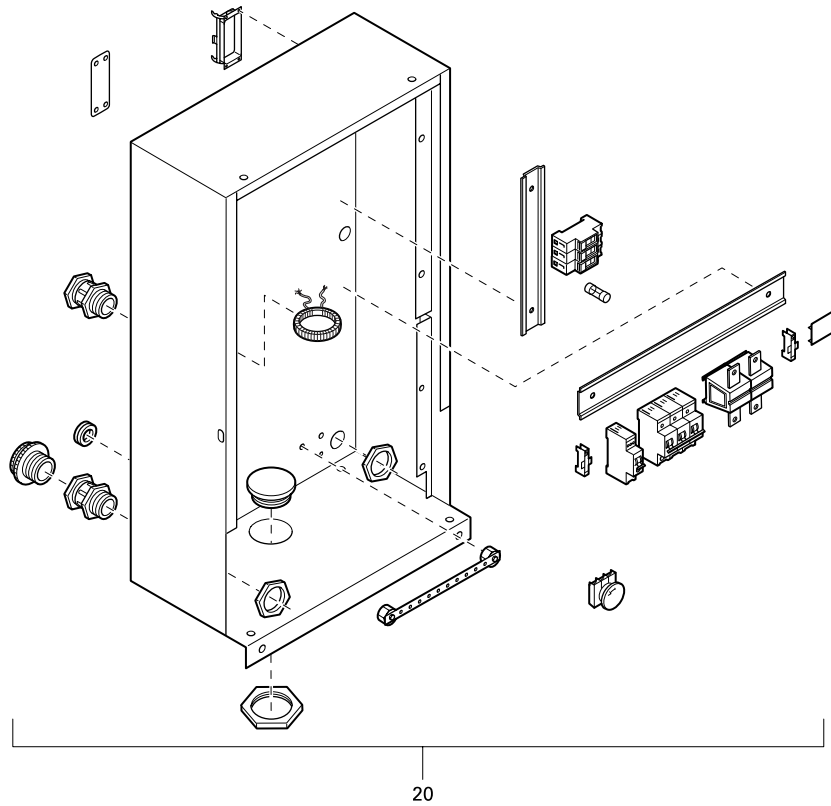
REF	PART NUMBER	DESIGNATION	QTY	REF	PART NUMBER	DESIGNATION	QTY
10	1079 9921 42	INFORMATION LABEL	1				
20	1079 9901 87	LABEL	1				
30	1079 9905 41	INSTRUCTION LABEL	1				
40	1079 9902 63	WARNING LABEL	1				
50	1079 9906 08	INSTRUCTION LABEL	1				
60	1604 3303 00	DATA PLATE	1				
61	0129 3270 34	BLIND RIVET	4				
70	1079 9922 16	INFORMATION LABEL	1				
80	0690 1116 01	HOUSEMARK	1				



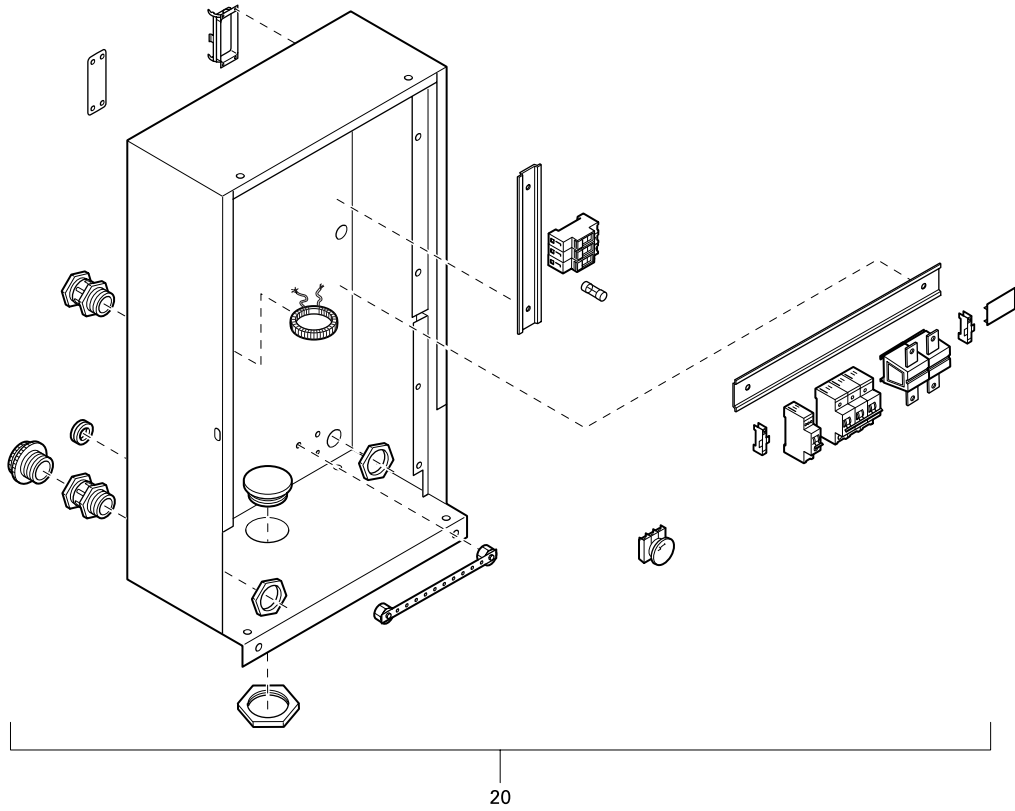
REF	PART NUMBER	DESIGNATION	QTY	REF	PART NUMBER	DESIGNATION	QTY
20	1900 1026 22	BASIC CUBICLE (For details see page 24)	1				



REF	PART NUMBER	DESIGNATION	QTY	REF	PART NUMBER	DESIGNATION	QTY
20	1900 1026 28	BASIC CUBICLE (For details see page 25)	1				



REF	PART NUMBER	DESIGNATION	QTY	REF	PART NUMBER	DESIGNATION	QTY
20	1900 1026 30	BASIC CUBICLE (For details see page 26)	1				



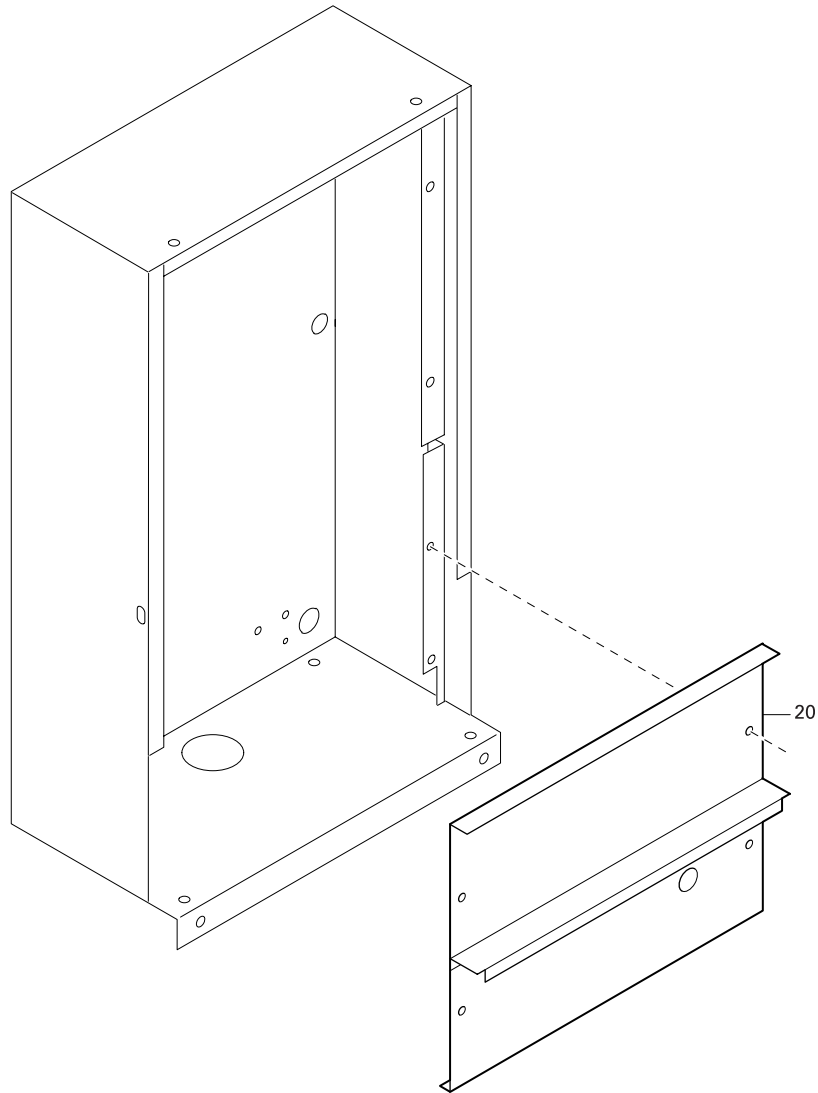
REF	PART NUMBER	DESIGNATION	QTY	REF	PART NUMBER	DESIGNATION	QTY
20	1900 1026 34	BASIC CUBICLE (For details see page 27)	1				

NO TERMINAL BOARD
GEEN KLEMMENBORD
PAS DE PLANCHE A BORNES
KEIN KLEMMENBRETT
SIN TABLERO DE TERMINALES
INGEN KOPPLINGSPLINT

STANDARD

QIX40 Dd

MORSETTIERA ASSENTE
IKKE KOPLINGSTAVLE
INTET KLEMBRÆT
ΧΩΡΙΣ ΤΕΡΜΑΤΙΚΟ ΠΙΝΑΚΑ
SEM PLACA DE TERMINAIS
EI KYTKINTAULUA



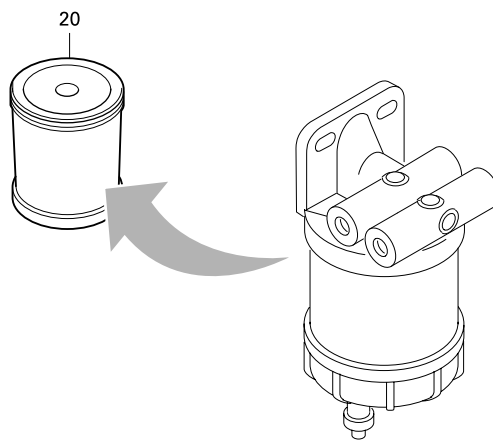
REF	PART NUMBER	DESIGNATION	QTY	REF	PART NUMBER	DESIGNATION	QTY
20	1604 4660 80	NO TERMINAL BOARD (For details see page 8)	1				

FUELFILTER
BRANDSTOFFILTER
FILTRE A COMBUSTIBLE
KRAFTSTOFFILTER
FILTRO DE COMB.
BRÄNSLEFILTER

STANDARD

QIX40 Dd

FILTRO DEL CARBURANTE
DRIVSTOFFILTER
BRÆNDSTOFFILTER
ΦΙΛΤΡΟ ΚΑΥΣΙΜΟΥ
FILTRO DE COMBUSTÍVEL
POLTTOAINEENSUODATIN



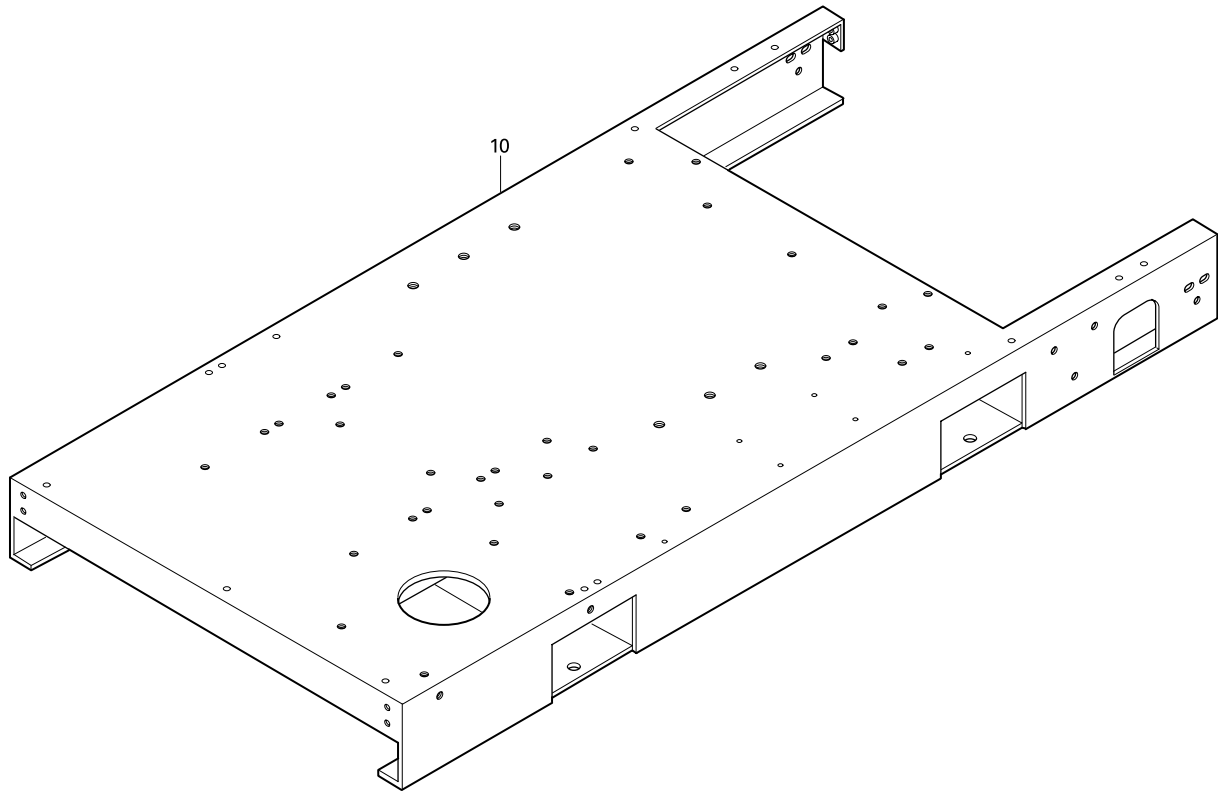
REF	PART NUMBER	DESIGNATION	QTY	REF	PART NUMBER	DESIGNATION	QTY
-	1615 8929 00	FUELFILTER Item of list on page 10 Item of list on page 47	1				
• 20	2914 8092 00	FILTERELEMENT	1				

FRAME ASSY
ASSEMBLAGE FRAME
ENSEMBLE CADRE
RAHMEN KOMPL.
ESTRUCTURA
RAMAGGREGAT

STANDARD

QIX40 Dd

GRUPPO TELAIO
RAMMESETT
CHASSISSAMLING
ΣΥΓΚΡΟΤΗΜΑ ΠΛΑΙΣΙΟΥ
ESTRUTURA ASSY
RUNKOSARJA



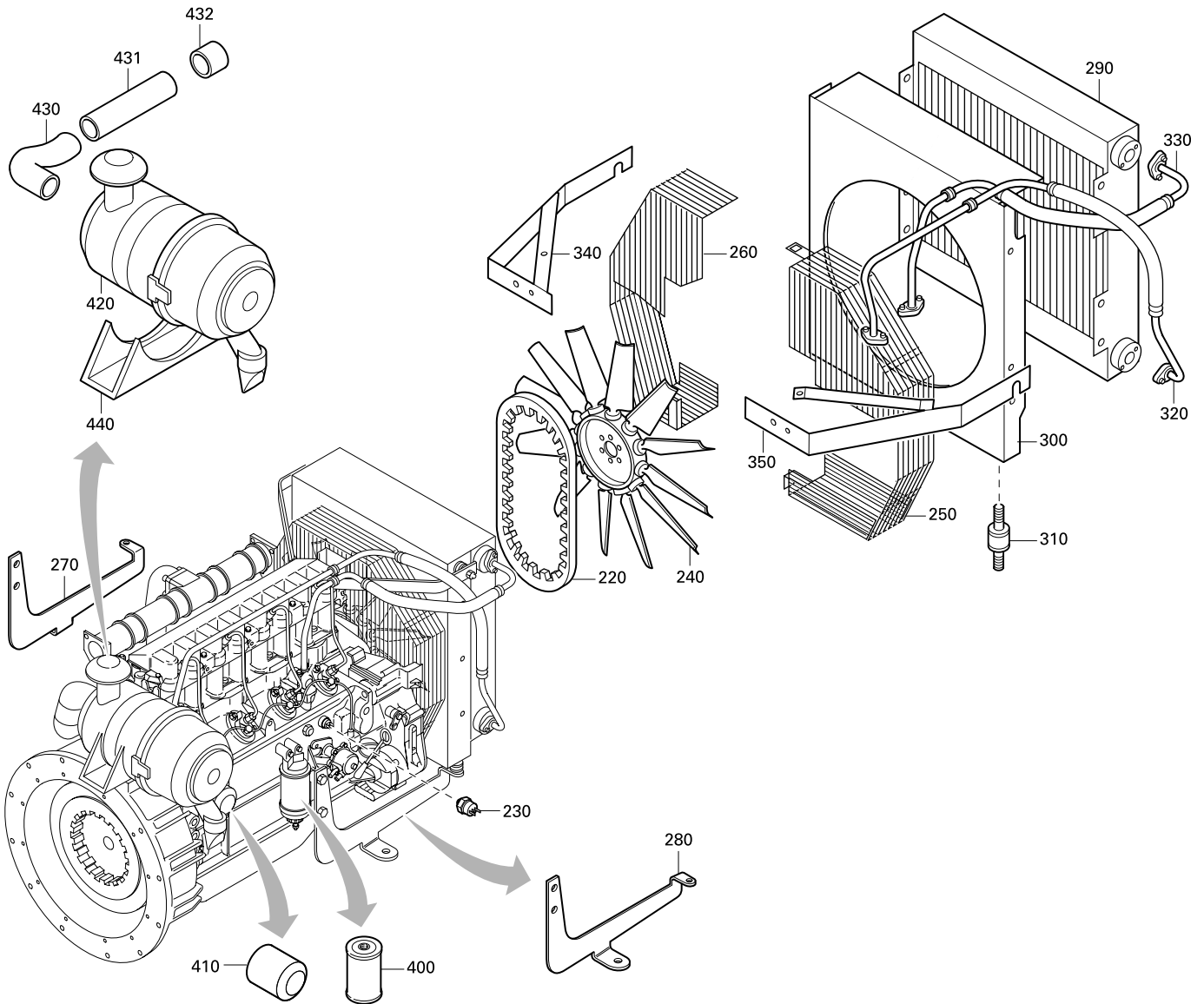
REF	PART NUMBER	DESIGNATION	QTY	REF	PART NUMBER	DESIGNATION	QTY
-	1615 9800 85	FRAME ASSY Item of list on page 9					
• 10	1615 9800 07	FRAME	1				

ENGINE
MOTOR
MOTEUR
MOTOR
MOTOR
MOTOR

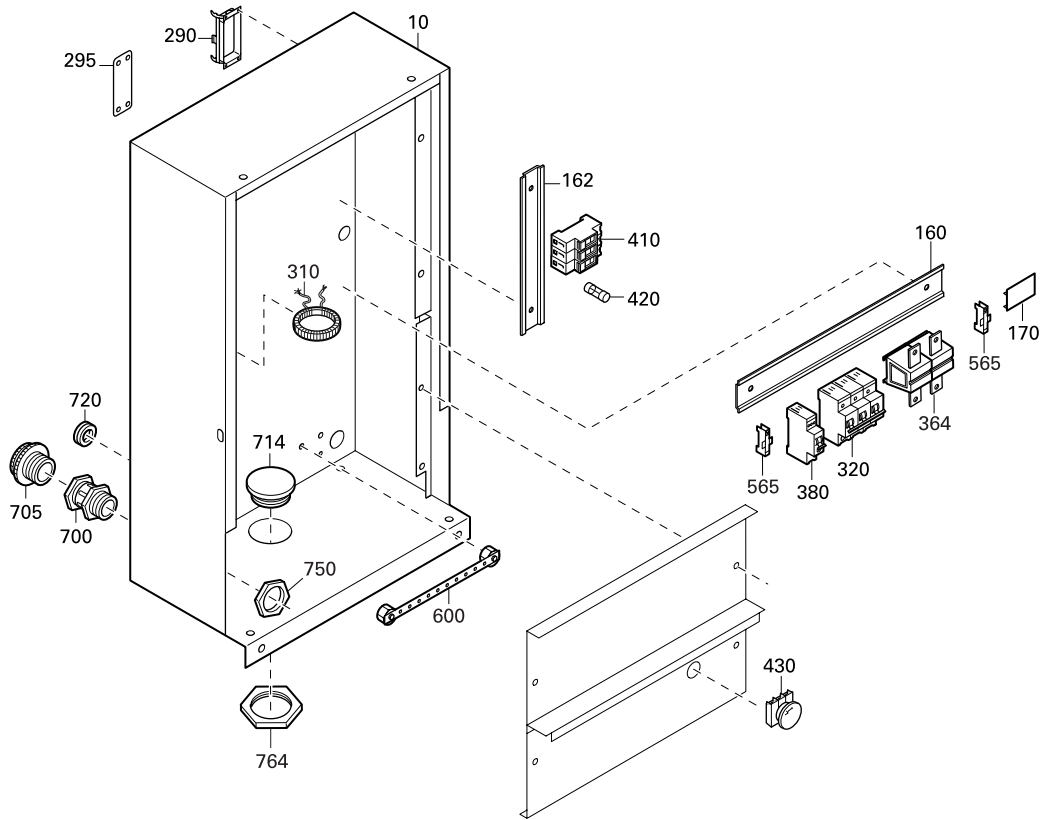
STANDARD

QIX40 Dd

MOTORE
MOTOR
MOTOR
KINHHPAZ
MOTOR
MOOTTORI



REF	PART NUMBER	DESIGNATION	QTY	REF	PART NUMBER	DESIGNATION	QTY
-	1615 9807 00	ENGINE					
		Item of list on page 11					
• 220	1604 1101 00	V-BELT	1				
• 230	1604 1102 00	PRESSURE SWITCH	1				
• 240	1604 1103 00	FAN	1				
• 250	1604 1104 00	FANGUARD	1				
• 260	1604 1105 00	FANGUARD	1				
• 270	1604 1106 00	MOUNTING SUPPORT	1				
• 280	1604 1107 00	MOUNTING SUPPORT	1				
• 290	1604 1109 00	OILCOOLER	1				
• 300	1604 1111 00	FAN COWL	1				
• 310	1604 1113 00	BUFFER	1				
• 320	1604 1115 00	OIL LINE	1				
• 330	1604 1116 00	OIL LINE	1				
• 340	1604 1117 00	SUPPORT	1				
• 350	1604 1118 00	SUPPORT	1				
• 400	2900 0687 00	FILTER ELEMENT	1				
• 410	2914 8058 00	OIL FILTER ELEMENT	1				
• 420	1604 1123 00	AIR FILTER	1				
• 430	1604 1126 00	CONNECTION	1				
• 431	1604 1129 00	PIPE	1				
• 432	1604 1130 00	CONNECTION	1				
• 440	1604 1128 00	AIR FILTER SUPPORT	1				



REF	PART NUMBER	DESIGNATION	QTY	REF	PART NUMBER	DESIGNATION	QTY
-	1900 1026 22	BASIC CUBICLE					
		Item of list on page 16					
• 10	1615 9330 06	CUBICLE	1				
• 160	0090 1400 02	RAIL	AR				
• 162	0090 1400 02	RAIL	AR				
• 170	1088 0500 05	COVER PLATE	AR				
• 290	1088 0029 50	HOUSING	1				
• 295	1604 1964 00	COVER PLATE	1				
• 310	1089 9484 01	CURRENT TRANSFORMER	1				
• 320	1089 9472 33	CIRCUIT BREAKER	1				
• 364	1089 9427 01	TERMINAL	2				
• 380	1089 9473 09	SHUNT TRIP COIL	1				
• 410	1089 9356 12	FUSE HOLDER	1				
• 420	1089 9332 01	FUSE	2				
• 430	1089 9422 11	EMERGENCY STOP	1				
• 565	1089 0506 30	END BRACKET	2				
• 600	1604 2282 00	EARTH RAIL ASS'Y	1				
• 700	1088 0256 23	CABLE GLAND	1				
• 705	0697 9726 00	REDUCING SLEEVE	1				
• 714	1088 0524 10	PLUG	1				
• 720	1088 0801 26	GROMMET	1				
• 750	1088 0302 08	NUT	1				
• 764	1088 0302 10	NUT	1				

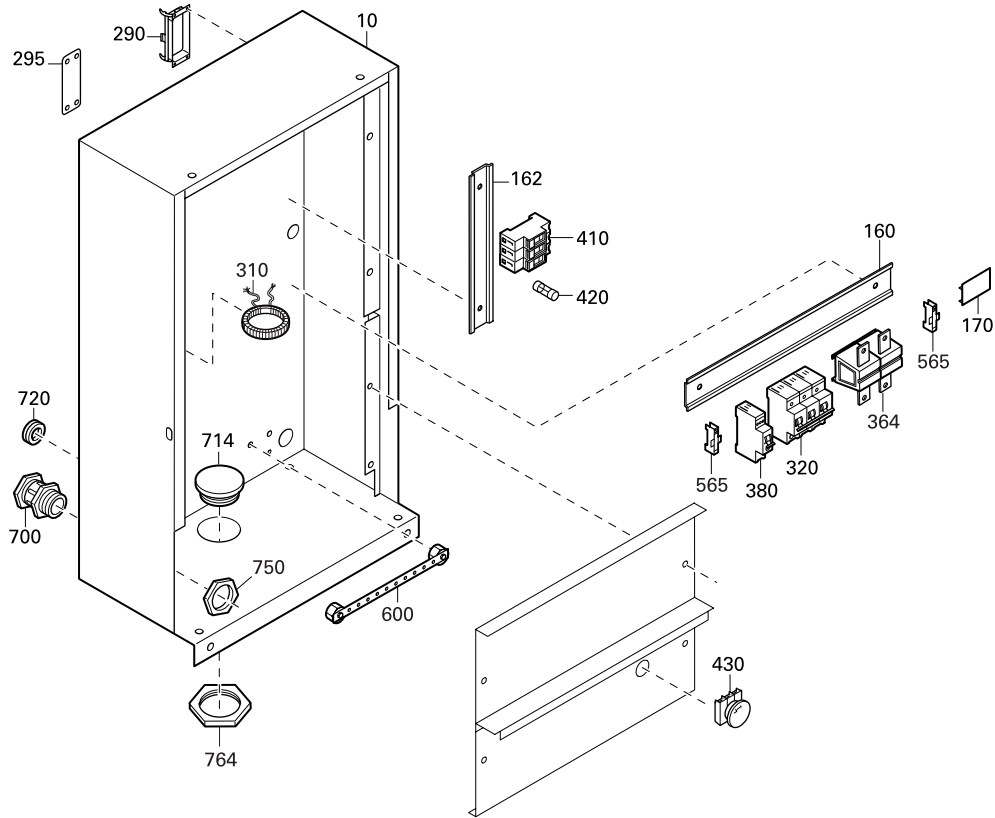
BASIC CUBICLE
 BASISKAST
 ARMOIRE DE BASE
 GRUNDSCHALKASTEN
 CUBICULO BASICO
 SKÅP - BASMODELL

STANDARD

QIX40 Dd

440-480 V - 3 Ph

ARMADIO DI BASE
 BASISKABINETT
 GRUNDBOKS
 ΒΑΣΙΚΟ ΚΟΥΒΟΥΚΛΙΟ
 ARMÁRIO BÁSICO
 PERUSKOTELO



REF	PART NUMBER	DESIGNATION	QTY	REF	PART NUMBER	DESIGNATION	QTY
-	1900 1026 28	BASIC CUBICLE					
		Item of list on page 17					
• 10	1615 9330 06	CUBICLE	1				
• 160	0090 1400 02	RAIL	AR				
• 162	0090 1400 02	RAIL	AR				
• 170	1088 0500 05	COVER PLATE	AR				
• 290	1088 0029 50	HOUSING	1				
• 295	1604 1964 00	COVER PLATE	1				
• 310	1089 9484 01	CURRENT TRANSFORMER	1				
• 320	1089 9472 36	CIRCUIT BREAKER	1				
• 364	1089 9427 01	TERMINAL	2				
• 380	1089 9473 09	SHUNT TRIP COIL	1				
• 410	1089 9356 12	FUSE HOLDER	1				
• 420	1089 9332 01	FUSE	2				
• 430	1089 9422 11	EMERGENCY STOP	1				
• 565	1089 0506 30	END BRACKET	2				
• 600	1604 2282 00	EARTH RAIL ASS'Y	1				
• 700	1088 0256 27	CABLE GLAND	1				
• 714	1088 0524 10	PLUG	1				
• 720	1088 0801 26	GROMMET	1				
• 750	1088 0302 08	NUT	1				
• 764	1088 0302 10	NUT	1				

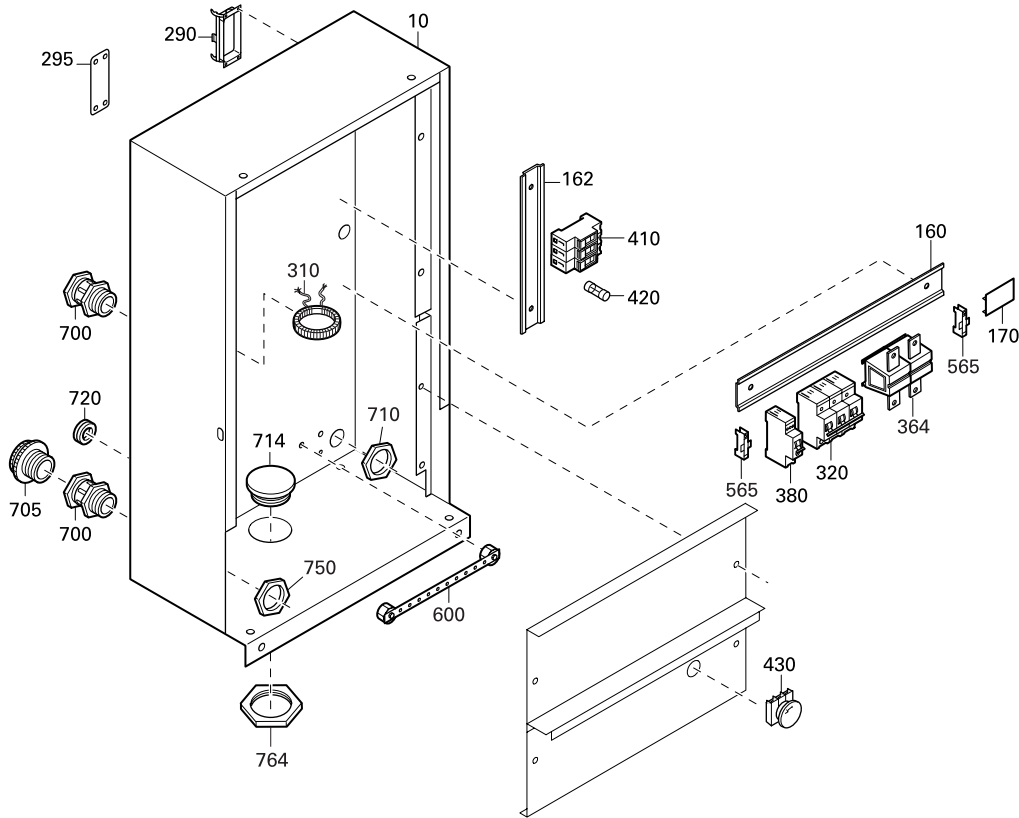
BASIC CUBICLE
 BASISKAST
 ARMOIRE DE BASE
 GRUNDSCHALKASTEN
 CUBICULO BASICO
 SKÅP - BASMODELL

STANDARD

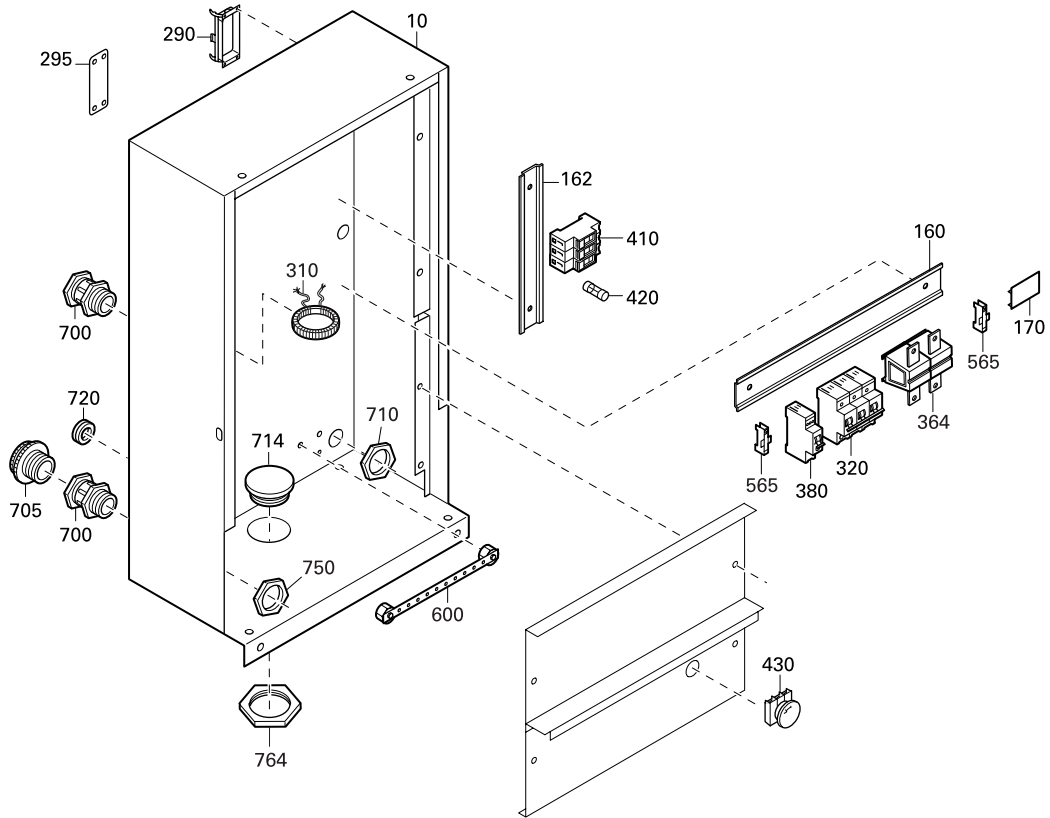
QIX40 Dd

380 V - 3 Ph

ARMADIO DI BASE
 BASISKABINETT
 GRUNDBOKS
 ΒΑΣΙΚΟ ΚΟΥΒΟΥΚΛΙΟ
 ARMÁRIO BÁSICO
 PERUSKOTELO



REF	PART NUMBER	DESIGNATION	QTY	REF	PART NUMBER	DESIGNATION	QTY
-	1900 1026 30	BASIC CUBICLE					
		Item of list on page 18					
• 10	1615 9330 06	CUBICLE	1				
• 160	0090 1400 02	RAIL	AR				
• 162	0090 1400 02	RAIL	AR				
• 170	1088 0500 05	COVER PLATE	AR				
• 290	1088 0029 50	HOUSING	1				
• 295	1604 1964 00	COVER PLATE	1				
• 310	1089 9484 12	CURRENT TRANSFORMER	1				
• 320	1089 9472 53	CIRCUIT BREAKER	1				
• 364	1089 9427 01	TERMINAL	2				
• 380	1089 9473 09	SHUNT TRIP COIL	1				
• 410	1089 9356 12	FUSE HOLDER	2				
• 420	1089 9332 01	FUSE	2				
• 430	1089 9422 11	EMERGENCY STOP	1				
• 565	1089 0506 30	END BRACKET	2				
• 600	1604 2283 00	EARTH RAIL ASS'Y	1				
• 700	1088 0256 27	CABLE GLAND	2				
• 705	0697 9743 00	REDUCING SLEEVE	1				
• 710	1088 0301 10	NUT	1				
• 714	1088 0524 10	PLUG	1				
• 720	1088 0801 26	GROMMET	1				
• 750	1088 0302 08	NUT	1				
• 764	1088 0302 10	NUT	1				



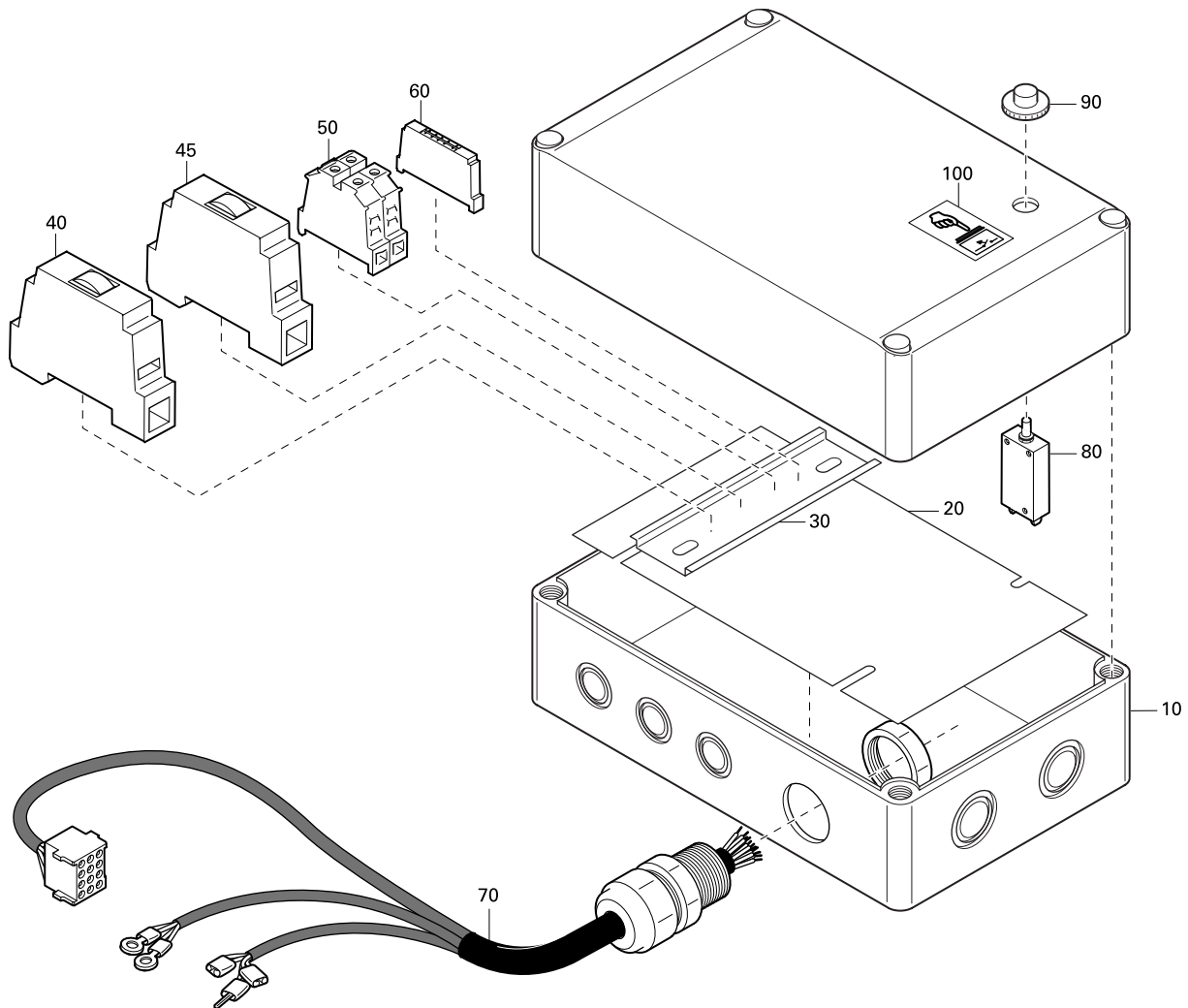
REF	PART NUMBER	DESIGNATION	QTY	REF	PART NUMBER	DESIGNATION	QTY
-	1900 1026 34	BASIC CUBICLE					
		Item of list on page 19					
• 10	1615 9330 06	CUBICLE	1				
• 160	0090 1400 02	RAIL	AR				
• 162	0090 1400 02	RAIL	AR				
• 170	1088 0500 05	COVER PLATE	AR				
• 290	1088 0029 50	HOUSING	1				
• 295	1604 1964 00	COVER PLATE	1				
• 310	1089 9484 12	CURRENT TRANSFORMER	1				
• 320	1089 9472 62	CIRCUIT BREAKER	1				
• 364	1089 9427 01	TERMINAL	2				
• 380	1089 9473 09	SHUNT TRIP COIL	1				
• 410	1089 9356 12	FUSE HOLDER	2				
• 420	1089 9332 01	FUSE	2				
• 430	1089 9422 11	EMERGENCY STOP	1				
• 565	1089 0506 30	END BRACKET	2				
• 600	1604 2283 00	EARTH RAIL ASS'Y	1				
• 700	1088 0256 27	CABLE GLAND	2				
• 705	0697 9743 00	REDUCING SLEEVE	1				
• 710	1088 0301 10	NUT	1				
• 714	1088 0524 10	PLUG	1				
• 720	1088 0801 26	GROMMET	1				
• 750	1088 0302 08	NUT	1				
• 764	1088 0302 10	NUT	1				

CONTROL UNIT (ASSY)
 STUUREENHEID (SAMENSTELLING)
 UNITÉ DE COMMANDE (ASSEMBLAGE)
 STEUERUNGSEINHEIT (KOMPL.)
 CUADRO DE MANDO (SISTEMA)
 KONTROLLENHET (SATS)

OPTION

QIX40 Dd

ELEMENTO DI CONTROLLO (CMPL.)
 KONTROLLENHET (SETT)
 STYREENHED (ANORDNING)
 ΜΟΝΑΔΑ ΕΛΕΓΧΟΥ (ΠΛΗΡΕΣ)
 UNIDADE DE CONTROLO (ASSY)
 OHJAUSYKSIKÖ (-SARJA)



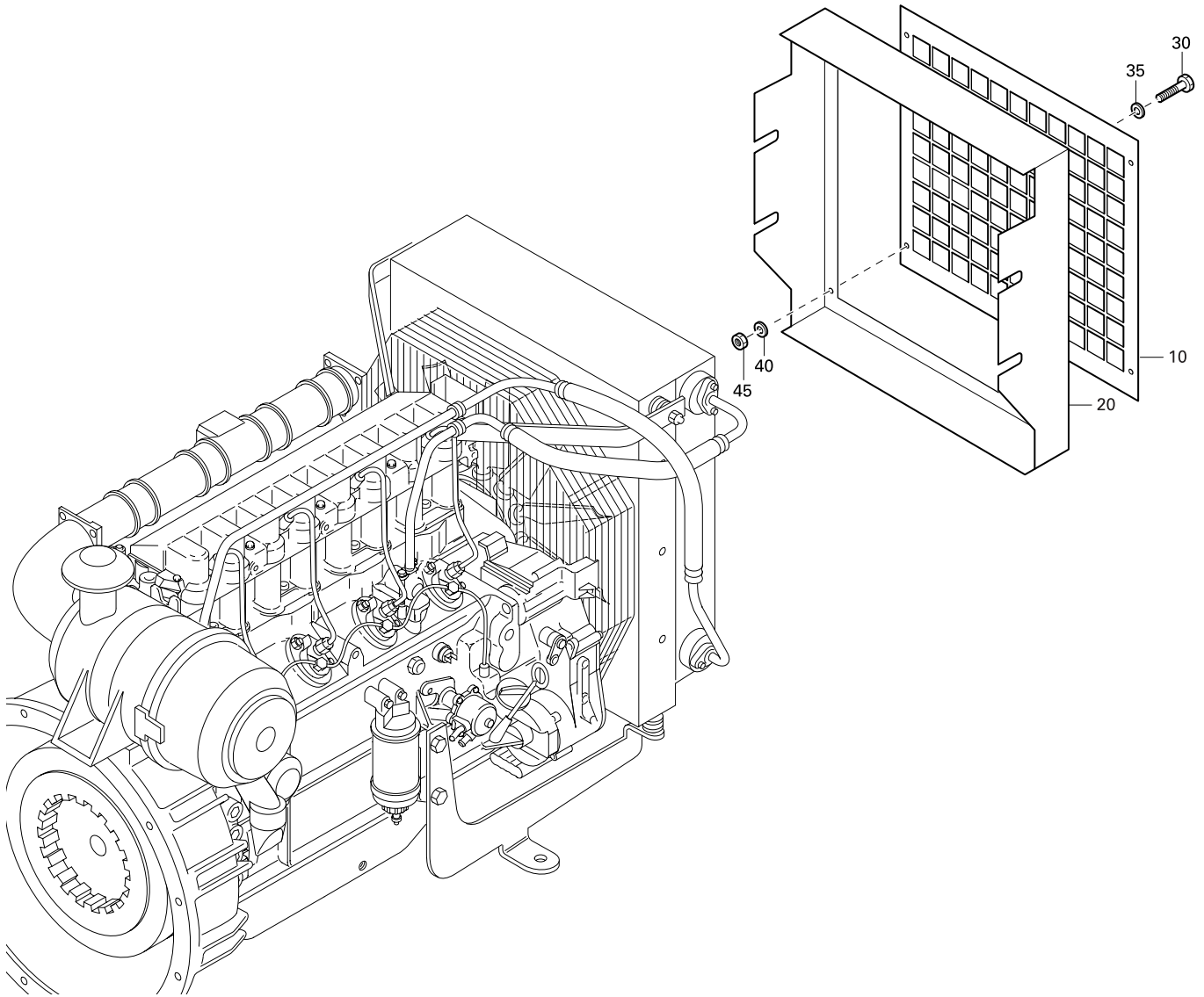
REF	PART NUMBER	DESIGNATION	QTY	REF	PART NUMBER	DESIGNATION	QTY
-	1604 1020 82	CONTROL UNIT (ASSY) Item of list on page 49					
• 10	1089 9458 01	BOX	1				
• 20	1089 9458 02	MOUNTING PLATE	1				
• 30	0090 1400 02	RAIL	AR				
• 40	1089 9410 11	RELAY	1				
• 45	1089 9410 12	RELAY	1				
• 50	1089 0506 62	TERMINAL	2				
• 60	1089 0506 30	END BRACKET	1				
• 70	1604 1020 02	WIRE HARNESS	1				
• 80	1089 9206 31	CIRCUIT BREAKER	1				
• 90	1089 9206 59	PROTECTION CAP	1				
• 100	1079 9919 83	INFORMATION LABEL	1				

STONE GUARD KIT
 STEENWEERDERSET
 KIT PARE-PIERRES
 NACHRÜSTSATZ STEINSCHUTZ
 KIT DE PROTECCIÓN CONTRA PIEDRAS
 STENSKYDD - KIT

OPTION

QIX40 Dd

KIT PER GRIGLIA COPRIRADIATORE
 STEINVERNSETT
 BESKYTTELSSEGITTERSÆT
 ΣΕΤ ΠΡΟΦΥΛΑΚΤΗΡΑ ΓΙΑ ΠΕΤΡΕΣ
 CONJUNTO DE PROTECÇÃO CONTRA PEDRAS
 KIVISUOJUSSARJA



REF	PART NUMBER	DESIGNATION	QTY	REF	PART NUMBER	DESIGNATION	QTY
-	1604 1069 80	STONE GUARD KIT Item of list on page 58					
•	10	1604 1069 00	GUARD				1
•	20	1615 9824 01	AIR DUCT				1
•	30	0147 1322 03	HEX. HEAD SCREW				4
•	35	0301 2335 00	PLAIN WASHER				4
•	40	0333 3227 00	LOCK WASHER				4
•	45	0266 2110 00	HEXAGON NUT				4

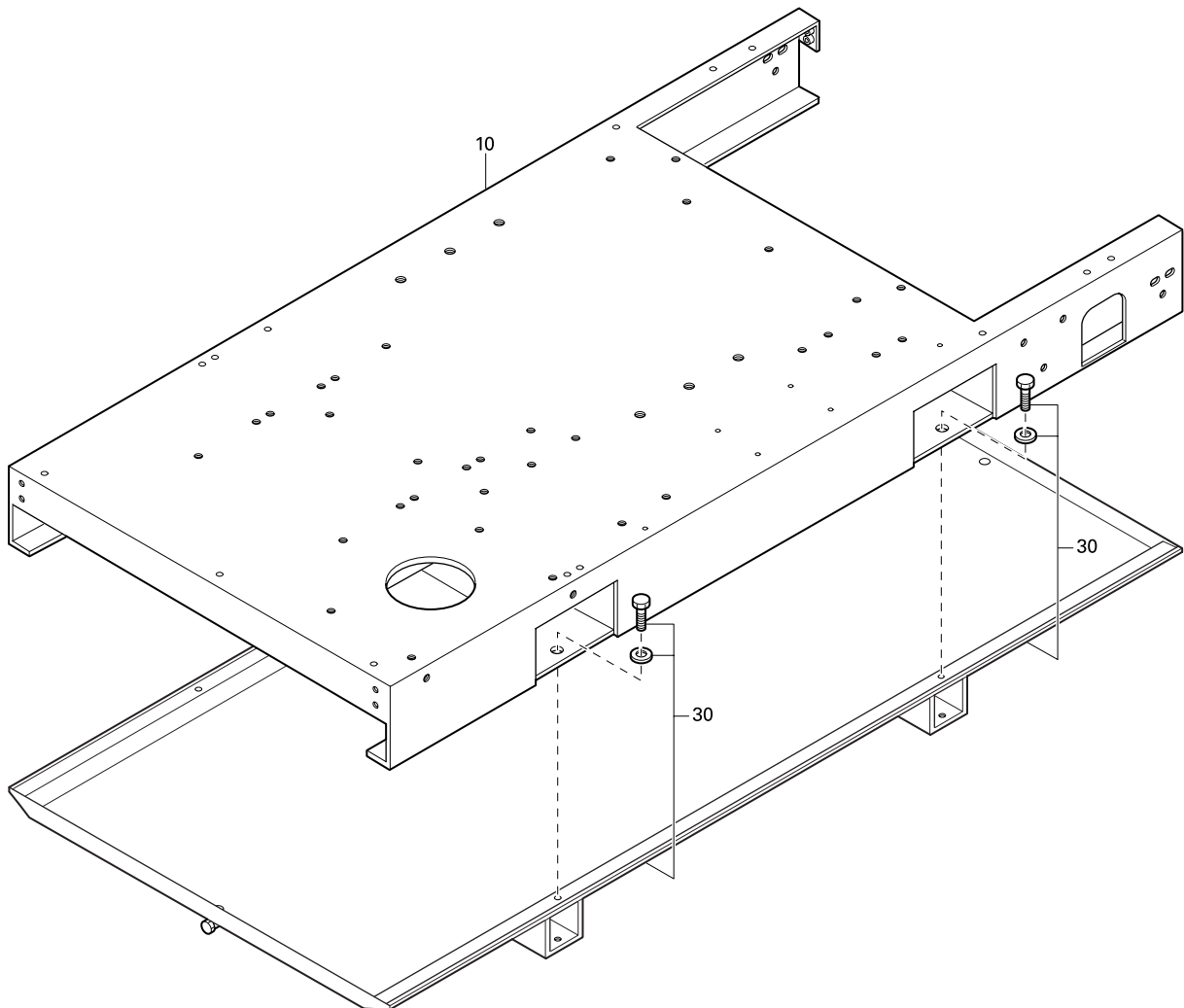
SPILLAGE FREE
LEKKAGEVRIJ
ANTIDÉBORDEMENT
LECKAGEFREI
EXENTO DE DERRAME
SPILLSÄKER

OPTION

QIX40 Dd

FRAME 1

ANTISPARGIMENTO
UTSLIPPSFRI
SPILDFRI
ΧΩΡΙΣ ΔΙΑΠΡΟΣ
ANTI-DERRAMENTO
ROISKUMATON



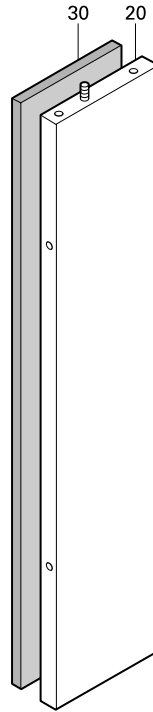
REF	PART NUMBER	DESIGNATION	QTY	REF	PART NUMBER	DESIGNATION	QTY
-	1604 1595 83	FRAME 1 SPF ASS'Y Item of list on page 80					
•	10	1615 9800 07	FRAME				1
•	30	1615 9990 80	SPILLAGE FREE KIT (For details see page 90)				1

PANEL ASSY
BORDASSEMBLAGE
ENSEMBLE PANNEAU
PANEEL, KOMPL.
SISTEMA DEL PANEL
PANEL, MONT.

OPTION

QIX40 Dd

GRUPPO PANNELLO
PANELSETT
PANELSÆT
ΠΑΝΕΛΟ ΠΛΗΡΕΣ
PAINEL ASSY
LEVYSARJA



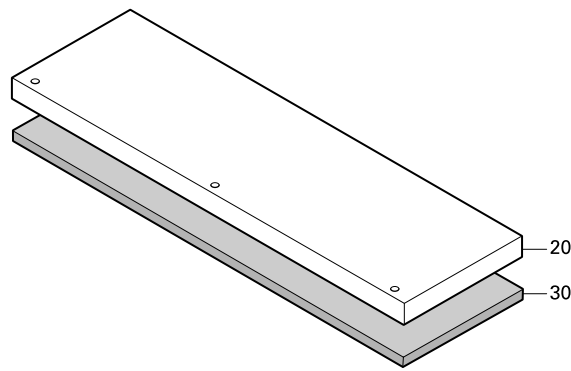
REF	PART NUMBER	DESIGNATION	QTY	REF	PART NUMBER	DESIGNATION	QTY
-	1604 4162 81	PANEL ASSY Item of list on page 55					
• 20	1604 4162 00	PANEL SIDE	1				
• 30	-	SILENCING FOAM	1				
-	1079 0003 32	FOAM PLAST. PERMANENT ADHESIVE 2000 mm x 1500 mm x 30 mm					

ROOF PANEL ASSY
DAKPANEELASSEMBLAGE
ENSEMBLE DE PANNEAU DE TOIT
DACHBEPLANUNG, KOMPL.
SISTEMA DE PANEL DE TECHO
TAKPANEL - MONTERINGSSATS

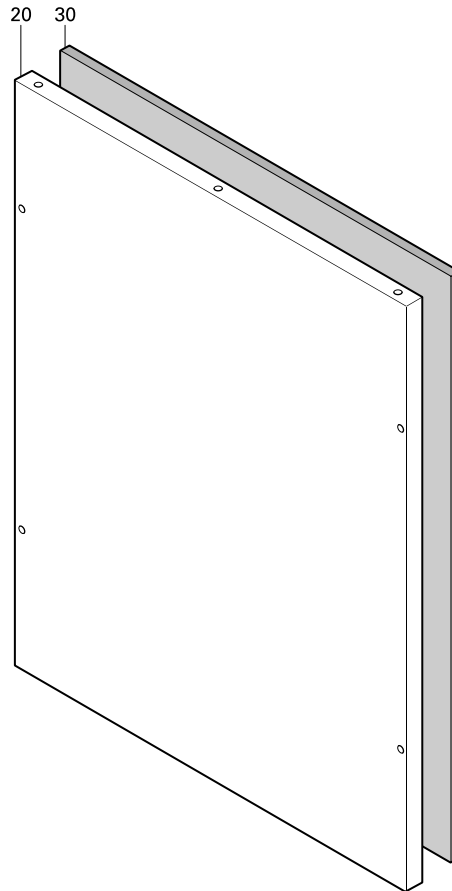
OPTION

QIX40 Dd

GRUPPO PANNELLO TETTO
TAKPANELSETT
SAMLING AF TAGPANEL
ΣΥΣΤΗΜΑ ΠΑΝΕΛΟΥ ΟΡΟΦΗΣ
PAINEL DE TECTO ASSY
KATTOPANEELISARJA



REF	PART NUMBER	DESIGNATION	QTY	REF	PART NUMBER	DESIGNATION	QTY
-	1604 4164 81	ROOF PANEL ASSY Item of list on page 55					
• 20	1604 4164 00	ROOF INLET	1				
• 30	-	SILENCING FOAM	1				
-	1079 0003 32	FOAM PLAST. PERMANENT ADHESIVE 2000 mm x 1500 mm x 30 mm					



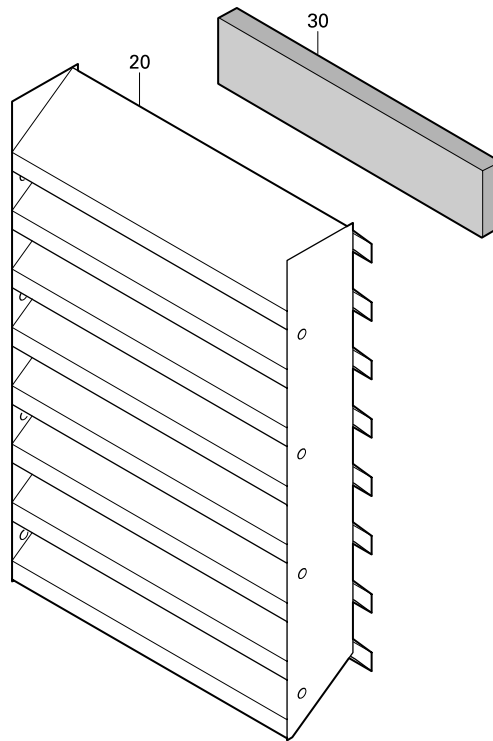
REF	PART NUMBER	DESIGNATION	QTY	REF	PART NUMBER	DESIGNATION	QTY
-	1604 4168 81	PANEL ASSY Item of list on page 55					
•	20	1604 4168 00	PANEL FRONT				1
•	30	-	SILENCING FOAM				2
-	1079 0003 32	FOAM PLAST. PERMANENT ADHESIVE 2000 mm x 1500 mm x 30 mm					

BAFFLE ASSY
 KEERPLAATASSEMBLAGE
 ENSEMBLE BAFFLE
 ABLENKPLATTE, KOMPL.
 SISTEMA DE PANTALLA
 SKÄRMPLÅT

OPTION

QIX40 Dd

GRUPPO DEFLETTORE
 LEDEPLATESETT
 LEDEPLADESÆT
 ΔΙΑΦΡΑΓΜΑ ΠΛΗΡΕΣ
 REFLECTOR ASSY
 ΜΑΑΥΟΤΟΡΕΛΕ



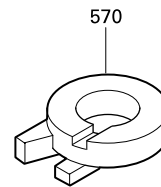
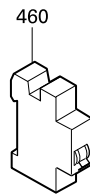
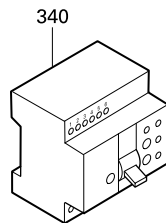
REF	PART NUMBER	DESIGNATION	QTY	REF	PART NUMBER	DESIGNATION	QTY
-	1604 4170 81	BAFFLE ASSY Item of list on page 55					
• 20	1604 4170 00	BAFFLE	1				
• 30	-	SILENCING FOAM	8				
-	1079 0003 32	FOAM PLAST. PERMANENT ADHESIVE 2000 mm x 1500 mm x 30 mm					

EARTH LEAKAGE RELAY
 AARDLEKRELAIS
 RELAIS DE FUITE A LA TERRE
 ERDSCHLUSSRELAIS
 RELÉ DE FUGA A TIERRA
 JORDSLUTNINGSRELÄ

OPTION

QIX40 Dd

RELÉ DI SCARICO A TERRA
 JORDFEILRELÉ
 JORDFEJLSTRØMSRELÆ (ER)
 ΡΕΛΕ ΔΙΑΠΡΟΗΣ ΓΕΙΩΣΗΣ
 RELÉ DE FUGA TERRA
 MAAVUOTORELE



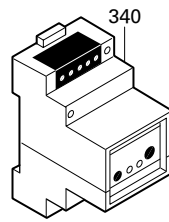
REF	PART NUMBER	DESIGNATION	QTY	REF	PART NUMBER	DESIGNATION	QTY
-	1604 4649 80	EARTH LEAKAGE RELAY Item of list on page 73					
• 340	1089 9473 50	EARTH RELAY	1				
• 460	1089 9473 20	SWITCH	1				
• 570	1089 9473 55	TORUS	1				

IT-RELAY
IT-RELAIS
RELAIS INFORMATIQUE
IT-RELAIS
RELÉ DE TI
IT-RELÄ

OPTION

QIX40 Dd

RELÉ IT
IT-RELÉ
IT-RELÆ
PEΛE IT
RELÉ IT
IT-RELE



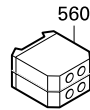
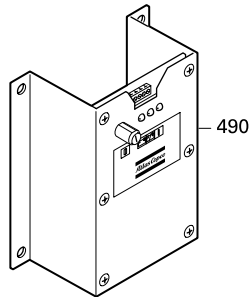
REF	PART NUMBER	DESIGNATION	QTY	REF	PART NUMBER	DESIGNATION	QTY
-	1604 4650 80	IT-RELAY Item of list on page 74					
• 340	1089 9450 01	INSUL.MON.RELAY	1				

BATTERY CHARGER
BATTERIJLADER
CHARGEUR BATTERIE
BATTERIELADEGERÄT
CARGADOR DE BATERIA
BATTERILADDARE

OPTION

QIX40 Dd

CARICA BATTERIA
BATTERILADER
BATTERIOPLADER
ΦΟΡΤΙΣΤΗΣ ΜΠΑΤΑΡΙΑΣ
CARREGADOR DE BATERIA
AKKULATURI



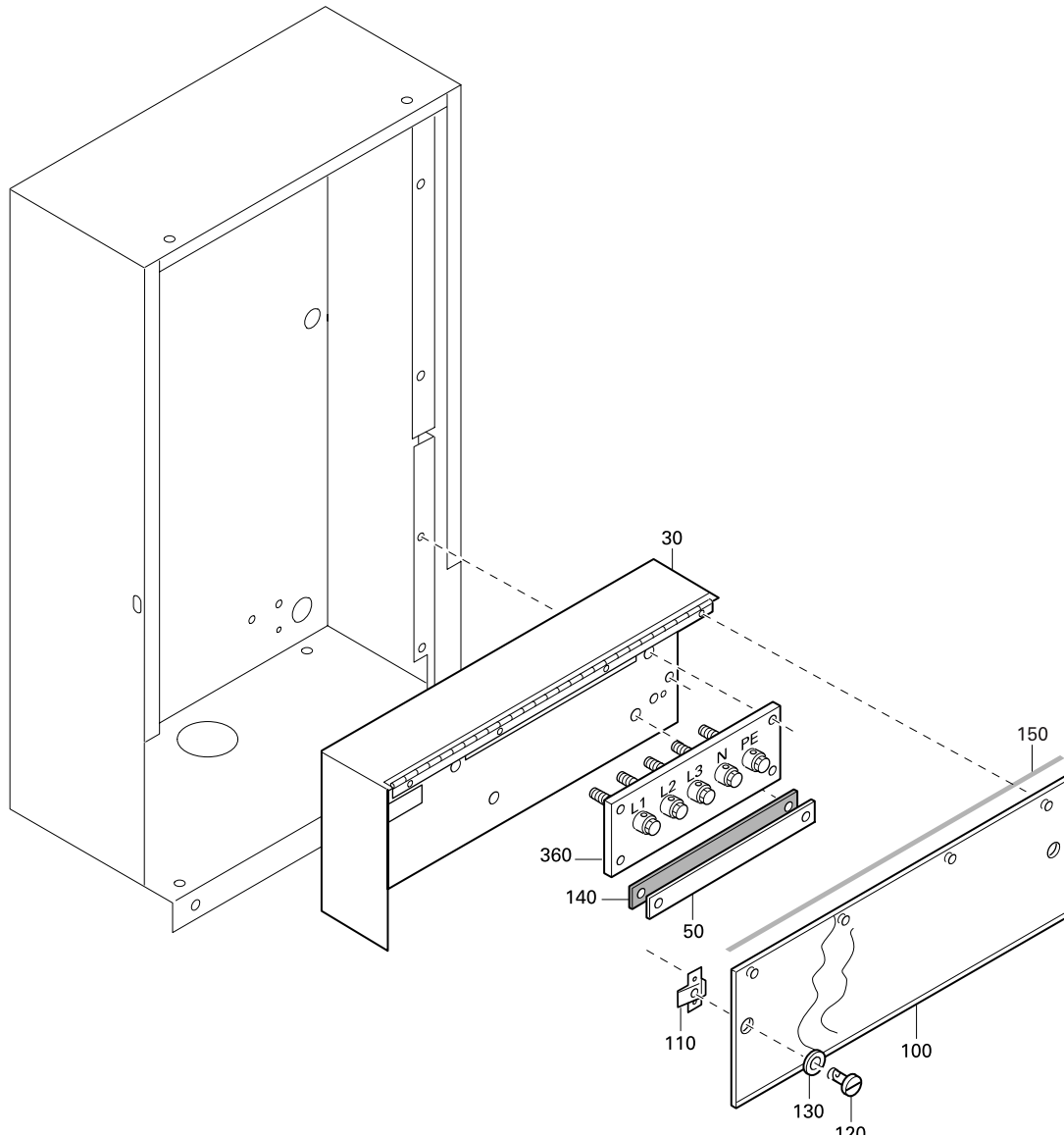
REF	PART NUMBER	DESIGNATION	QTY	REF	PART NUMBER	DESIGNATION	QTY
-	1604 4657 80	BATTERY CHARGER Item of list on page 77					
• 490	1089 9402 11	BATTERY CHARGER 12V	1				
• 560	1089 0506 62	TERMINAL	2				

TERMINAL BOARD
 KLEMMENBORD
 REGLETTE A BORNES
 KLEMMBRETT
 TABLERO DE TERMINALES
 ANSLUTNINGSPLint

OPTION

QIX40 Dd

MORSETTIERA
 KLEMMEPLATE
 KLEMBRÆT
 ΤΕΡΜΑΤΙΚΟΣ ΠΙΝΑΚΑΣ, ΠΙΝΑΚΑΣ ΣΥΝΔΕΣΕΩΝ
 QUADRO DE BORNES
 LIITINALUSTA



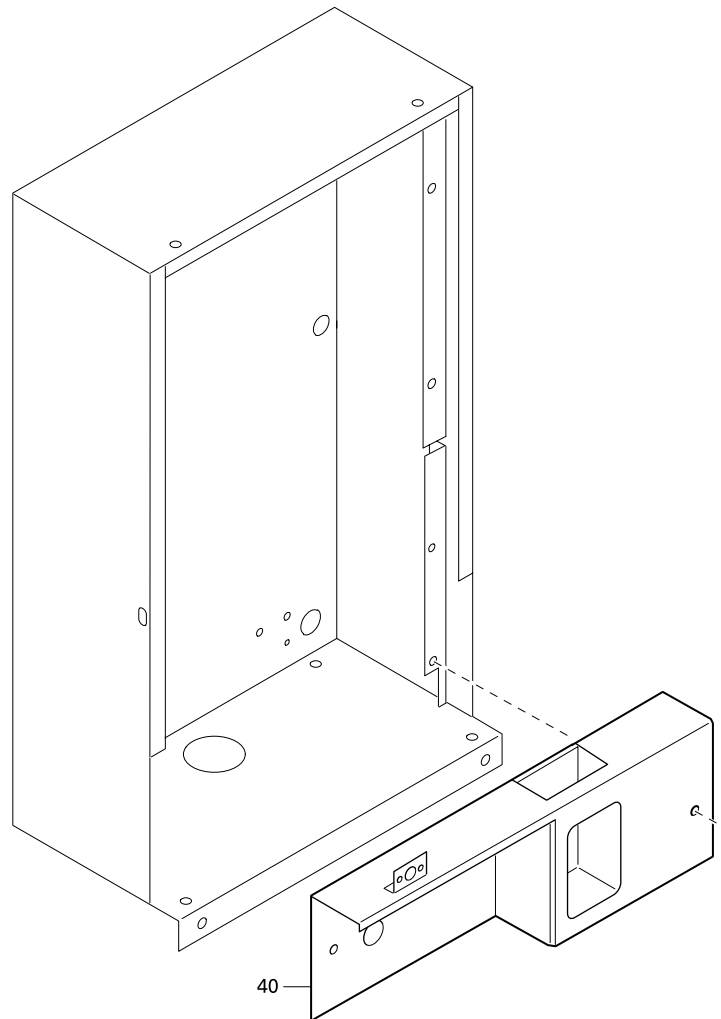
REF	PART NUMBER	DESIGNATION	QTY	REF	PART NUMBER	DESIGNATION	QTY
-	1604 4658 80	TERMINAL BOARD Item of list on page 76					
•	30	1615 9333 00 T.B. PANEL	1				
•	50	1615 9336 00 CABLE CLAMP	1				
•	100	1615 9339 00 PLEXI DOOR	1				
•	110	1615 6728 00 PLATE	1				
•	120	1615 7166 00 STUD	1				
•	130	1615 6727 00 WASHER	1				
•	140	1615 9337 00 SEAL	1				
•	150	1503 1056 00 SEAL	AR				
•	360	1615 7008 01 TERMINAL BOARD	1				

NO SOCKET PANEL
GEEN STEKKERBUSPLAAT
PAS DE FICHER ELECTRIQUE
KEINE ANSCHLUSSPLATTE
SIN PANEL DE ZÓCALOS
INGEN UTTAGSPANEL

OPTION

QIX40 Dd

PANNELLO PRESE ASSENTE
IKKE KONTAKTPANEL
INTET STIKPANEL
ΧΩΡΙΣ ΠΙΝΑΚΑ ΜΕ ΠΡΙΖΕΣ
SEM PAINEL DE TOMADAS
EI LIITINTAULUA



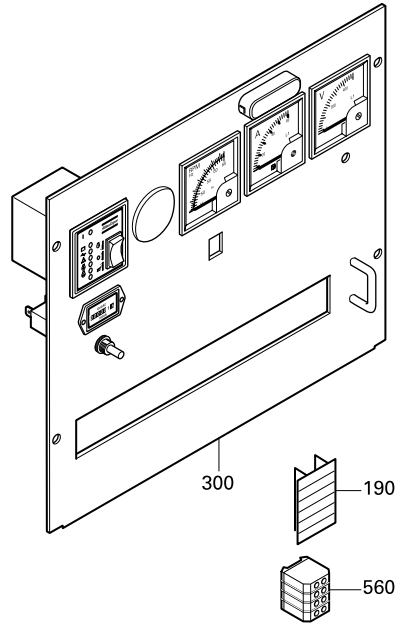
REF	PART NUMBER	DESIGNATION	QTY	REF	PART NUMBER	DESIGNATION	QTY
-	1604 4659 80	NO SOCKET PANEL Item of list on page 75					
• 40	1615 9335 00	NO SOCKET PANEL	1				

REMOTE START
 START VANOP AFSTAND
 DEMARRAGE A DISTANCE
 FERNSTART
 ARRANQUE REMOTO
 FJÄRRSTART

OPTION

QIX40 Dd
440-480 V - 3 Ph - RS

AVVIAMENTO A DISTANZA
 FJERNSTART
 FJERNSTART
 ΣΥΣΤΗΜΑ ΤΗΛΕΧΕΙΡΙΣΜΟΥ
 ARRANQUE REMOTO
 KAUKOKÄYNNISTYS



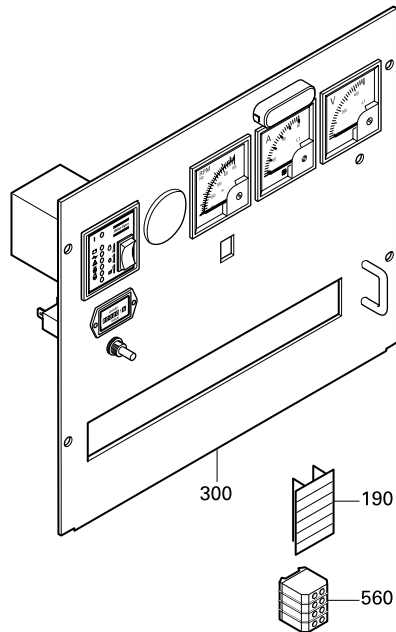
REF	PART NUMBER	DESIGNATION	QTY	REF	PART NUMBER	DESIGNATION	QTY
-	1604 4666 80	REMOTE START Item of list on page 67					
•	190	1088 0027 01 COVER PLATE	6				
•	300	1900 1016 82 CONTROL PANEL	1				
•	560	1088 0027 02 TERMINAL	4				

REMOTE START
 START VANOP AFSTAND
 DEMARRAGE A DISTANCE
 FERNSTART
 ARRANQUE REMOTO
 FJÄRRSTART

OPTION

QIX40 Dd
380 V - 3 Ph - RS
220-240 V - 1 Ph - RS

AVVIAMENTO A DISTANZA
 FJERNSTART
 FJERNSTART
 ΣΥΣΤΗΜΑ ΤΗΛΕΧΕΙΡΙΣΜΟΥ
 ARRANQUE REMOTO
 KAUKOKÄYNNISTYS



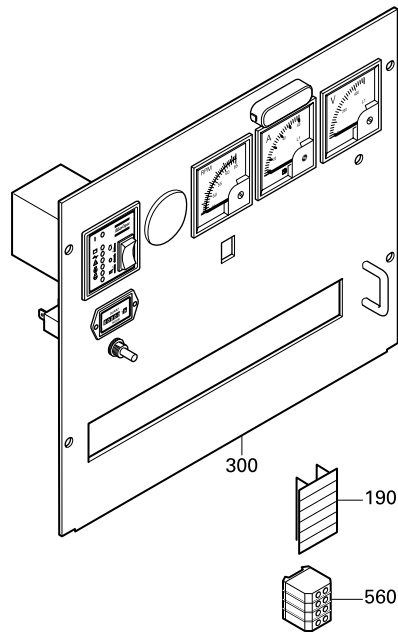
REF	PART NUMBER	DESIGNATION	QTY	REF	PART NUMBER	DESIGNATION	QTY
-	1604 4667 80	REMOTE START Item of list on page 68					
•	190	1088 0027 01 COVER PLATE	6				
•	300	1900 1016 83 CONTROL PANEL	1				
•	560	1088 0027 02 TERMINAL	4				

REMOTE START
 START VANOP AFSTAND
 DEMARRAGE A DISTANCE
 FERNSTART
 ARRANQUE REMOTO
 FJÄRRSTART

OPTION

QIX40 Dd
220-240 V - 3 Ph - RS

AVVIAMENTO A DISTANZA
 FJERNSTART
 FJERNSTART
 ΣΥΣΤΗΜΑ ΤΗΛΕΧΕΙΡΙΣΜΟΥ
 ARRANQUE REMOTO
 KAUKOKÄYNNISTYS



REF	PART NUMBER	DESIGNATION	QTY	REF	PART NUMBER	DESIGNATION	QTY
-	1604 4668 80	REMOTE START Item of list on page 69					
•	190	1088 0027 01 COVER PLATE	6				
•	300	1900 1016 86 CONTROL PANEL	1				
•	560	1088 0027 02 TERMINAL	4				

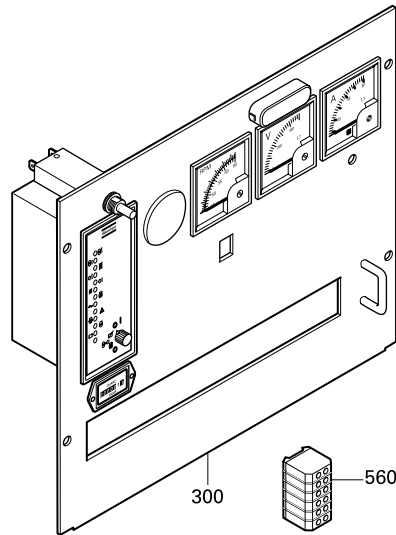
AUTOMATIC MAINS FAILURE
 AUTOMATISCHE INSCHAKELING BIJ NETSTORING
 PANNE AUTOMATIQUE DE SECTEUR
 AUTOMATISCHE NETZSPANNUNGSUNTERBRECHUNG
 INTERRUPCIÓN AUTOMÁTICA DE LA RED ELÉCTRICA
 AUTOMATISK UPPKOPPLING VID NÄTFEL

OPTION

QIX40 Dd

440-480 V - 3 Ph - AMF

GUASTO ALL'ALIMENTAZIONE DI RETE AUTOMATICA
 AUTOMATISK START/STOPP (AMF)
 AUTOMATISK STRØMSVIGT
 ΑΥΤΟΜΑΤΟΣ ΔΙΑΚΟΠΗΣ ΡΕΥΜΑΤΟΣ
 ΑΡΑΡΕΛΗΟ ΠΑΡΑΛΕΛΟ
 RINNANKYT KENTÄLAITE



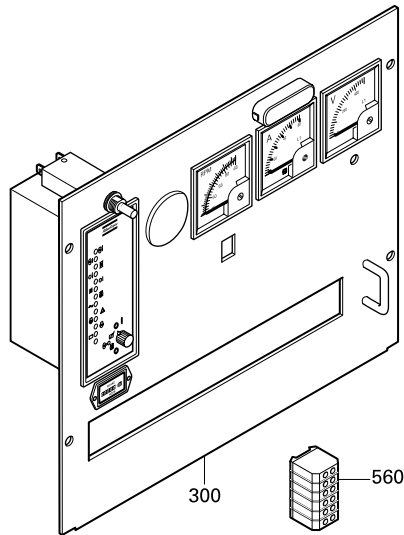
REF	PART NUMBER	DESIGNATION	QTY	REF	PART NUMBER	DESIGNATION	QTY
-	1604 4669 80	AMF Item of list on page 70					
•	300	1900 1016 84 CONTROL PANEL	1				
•	560	1088 0027 02 TERMINAL	6				

AUTOMATIC MAINS FAILURE
 AUTOMATISCHE INSCHAKELING BIJ NETSTORING
 PANNE AUTOMATIQUE DE SECTEUR
 AUTOMATISCHE NETZSPANNUNGSUNTERBRECHUNG
 INTERRUPCIÓN AUTOMÁTICA DE LA RED ELÉCTRICA
 AUTOMATISK UPPKOPPLING VID NÅTFEL

OPTION

QIX40 Dd
380 V - 3 Ph - AMF
220-240 V - 1 Ph - AMF

GUASTO ALL'ALIMENTAZIONE DI RETE AUTOMATICA
 AUTOMATISK START/STOPP (AMF)
 AUTOMATISK STRØMSVIGT
 ΑΥΤΟΜΑΤΟΣ ΔΙΑΚΟΠΗΣ ΡΕΥΜΑΤΟΣ
 APARELHO PARALELO
 RINNANKYTKENTÄLAITE



REF	PART NUMBER	DESIGNATION	QTY	REF	PART NUMBER	DESIGNATION	QTY
-	1604 4670 80	AMF Item of list on page 71					
•	300	1900 1016 85 CONTROL PANEL	1				
•	560	1088 0027 02 TERMINAL	6				

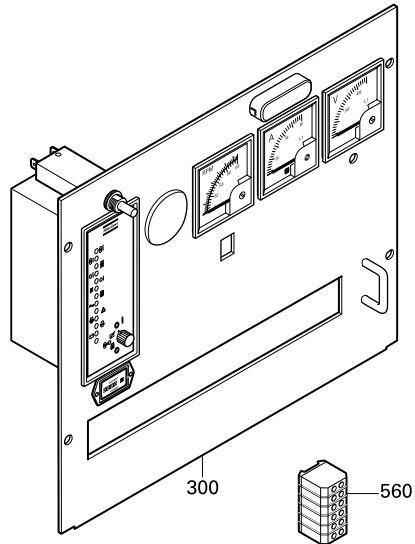
AUTOMATIC MAINS FAILURE
 AUTOMATISCHE INSCHAKELING BIJ NETSTORING
 PANNE AUTOMATIQUE DE SECTEUR
 AUTOMATISCHE NETZSPANNUNGSUNTERBRECHUNG
 INTERRUPCIÓN AUTOMÁTICA DE LA RED ELÉCTRICA
 AUTOMATISK UPPKOPPLING VID NÄTFEL

OPTION

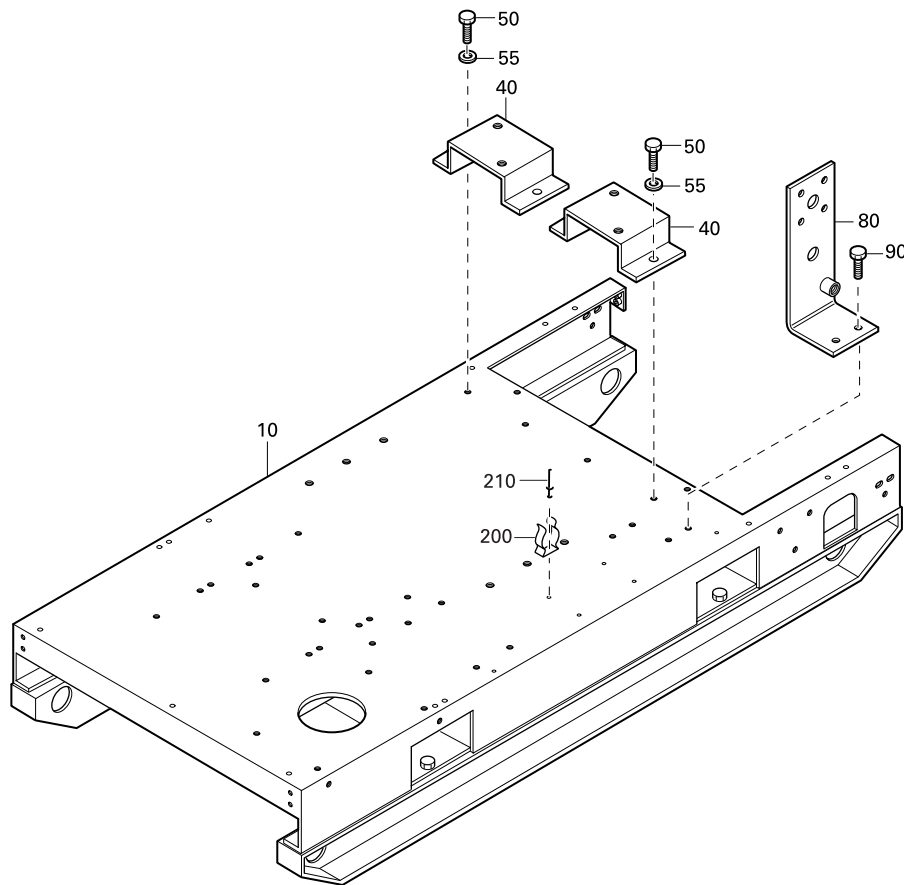
QIX40 Dd

220-240 V - 3 Ph - AMF

GUASTO ALL'ALIMENTAZIONE DI RETE AUTOMATICA
 AUTOMATISK START/STOPP (AMF)
 AUTOMATISK STRØMSVIGT
 ΑΥΤΟΜΑΤΟΣ ΔΙΑΚΟΠΗΣ ΡΕΥΜΑΤΟΣ
 ΑΡΑΡΕΛΗΟ ΠΑΡΑΛΕΛΟ
 RINNANKYTKENTÄLAITE



REF	PART NUMBER	DESIGNATION	QTY	REF	PART NUMBER	DESIGNATION	QTY
-	1604 4671 80	AMF Item of list on page 72					
•	300	1900 1016 87 CONTROL PANEL	1				
•	560	1088 0027 02 TERMINAL	6				



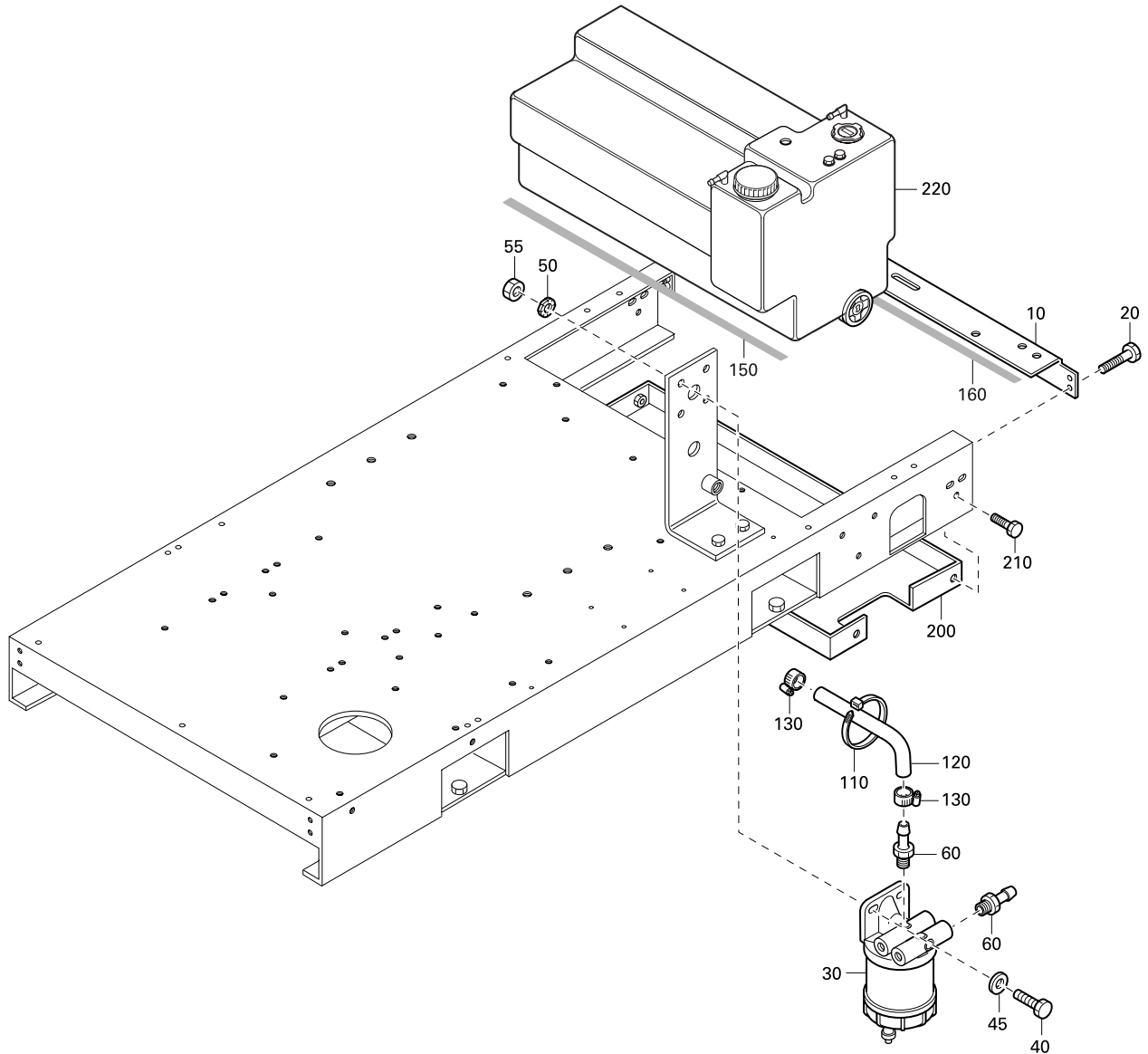
REF	PART NUMBER	DESIGNATION	QTY	REF	PART NUMBER	DESIGNATION	QTY
-	1611 7021 79	SKID AND MOUNTS Item of list on page 81					
• 10	1615 9821 85	SKID ASS'Y (For details see page 86)	1				
• 40	1615 9804 00	SUPPORT	2				
• 50	0147 1323 15	HEX. HEAD SCREW	4				
• 55	0301 2335 00	PLAIN WASHER	4				
• 80	1615 9806 01	SUPPORT	1				
• 90	1619 2766 00	BOLT	2				
• 200	1079 3461 02	HOSE CLIP	1				
• 210	0129 3108 00	BLIND RIVET	1				

BUILT - IN FUELTANK
 INGEBOUWDE BRANDSTOFTANK
 RÉSERVOIR À CARBURANT INTÉGRÉ
 EINGEBAUTER KRAFTSTOFFBEHÄLTER
 TANQUE DE COMBUSTIBLE INCORPORADO
 INBYGGD BRÄNSLETANK

OPTION

QIX40 Dd

SERBATOIO PER COMBUSTIBILE INCORPORATO
 INNEBYGD DRIVSTOFFTANK
 INDBYGGET BRÆNDSTOFTANK
 ΕΝΣΩΜΑΤΩΜΕΝΟ ΠΕΖΕΠΒΟΥΑΡ ΚΑΥΣΙΜΟΥ
 TANQUE DE COMBUSTIVEL INCORPORADO
 SISÄÄNRAKENNETTU POLTTOAINESÄILIÖ



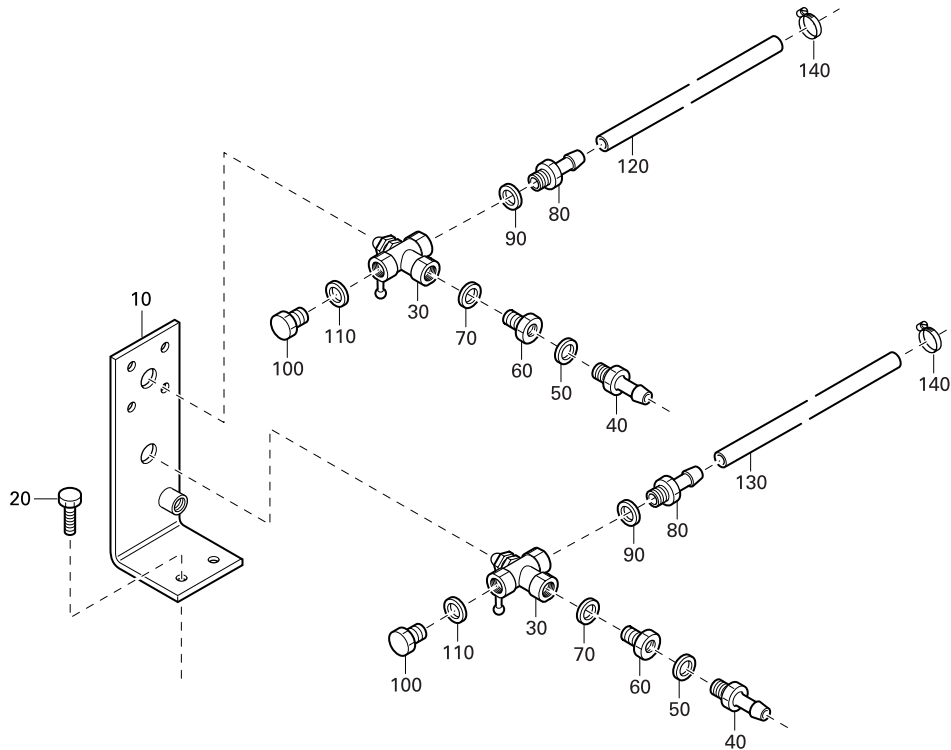
REF	PART NUMBER	DESIGNATION	QTY	REF	PART NUMBER	DESIGNATION	QTY
10	1615 9813 00	PLATE	1				
20	1619 2766 00	BOLT	4				
30	1615 8929 00	FUELFILTER	1				
		(For details see page 21)					
40	0147 1363 03	HEX. HEAD SCREW	2				
45	0301 2344 00	PLAIN WASHER	2				
50	0333 3232 00	SPRING WASHER	2				
55	0266 2111 00	HEXAGON NUT	2				
60	1615 8934 00	HOSE NIPPLE	2				
110	1088 1301 02	CABLE STRIP	2				
120	0075 4005 55	FUEL HOSE	AR				
130	0347 6103 00	HOSE CLAMP	2				
150	1202 6584 00	SEAL	AR				
160	1202 6584 00	SEAL	AR				
200	1615 9814 01	PLATE	1				
210	1619 2766 00	BOLT	4				
220	1615 9805 80	FUELTANK ASSY	1				
		(For details see page 83)					

EFT VALVES KIT
 EFT - KLEPPENSET
 KIT VANNES EFT
 NACHRÜSTSATZ EFT - VENTILE
 KIT DE VÁLVULAS EFT
 EFT VENTIL - KIT

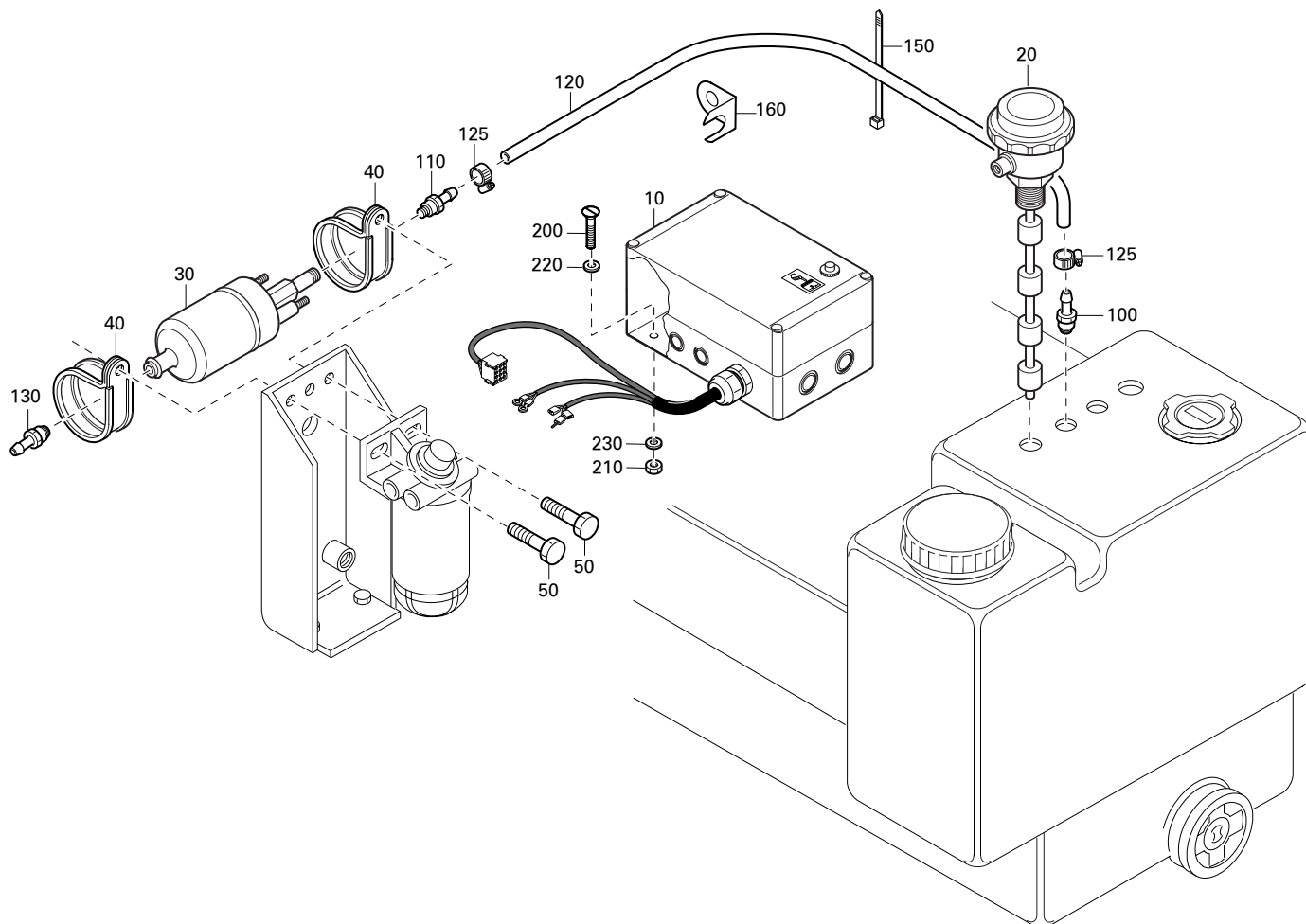
OPTION

QIX40 Dd

KIT VALVOLE EFT
 EFT VENTILSETT
 EFT - VENTILSÆT
 ΣΕΤ ΒΑΛΒΙΔΩΝ EFT
 CONJUNTO DE VÁLVULAS EFT
 KENTTÄMUUNTAJAN VENTTIILISARJA



REF	PART NUMBER	DESIGNATION	QTY	REF	PART NUMBER	DESIGNATION	QTY
10	1615 9806 01	SUPPORT	1				
20	1619 2766 00	BOLT	2				
30	1615 8007 00	3-WAY VALVE	2				
40	0571 0020 14	HOSE NIPPLE	2				
50	0661 1033 00	SEALING WASHER	2				
60	0605 8814 06	BUSHING	2				
70	0661 1033 00	SEALING WASHER	2				
80	0571 0020 24	HOSE NIPPLE	2				
90	0661 1020 00	SEALING WASHER	2				
100	0686 3716 02	HEXAGON PLUG	2				
110	0661 1033 00	SEALING WASHER	2				
120	0075 4005 55	FUEL HOSE	AR				
130	0071 8401 63	FUEL HOSE	1				
140	0347 6103 00	HOSE CLAMP	2				



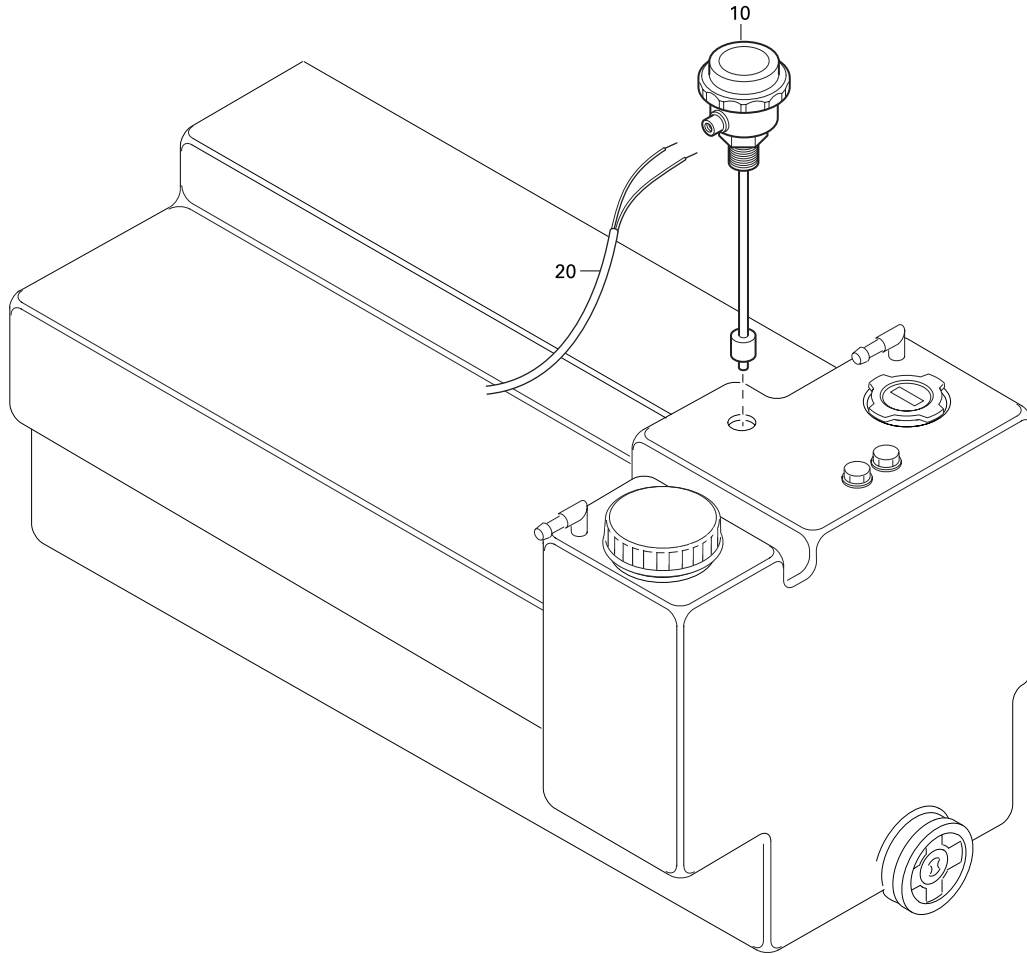
REF	PART NUMBER	DESIGNATION	QTY	REF	PART NUMBER	DESIGNATION	QTY
10	1604 1020 82	CONTROL UNIT ASSEMBLY (For details see page 28)	1				
20	1089 9467 02	LEVEL SWITCH	1				
30	1089 0638 01	PUMP	1				
40	0346 1005 19	PIPE CLAMP	2				
50	0147 1365 03	HEX. HEAD SCREW	2				
100	0571 0020 14	HOSE NIPPLE	1				
110	0571 0020 28	HOSE NIPPLE	1				
120	0075 4005 55	FUEL HOSE	AR				
125	0347 6103 00	HOSE CLAMP	2				
130	0571 0020 29	HOSE NIPPLE	1				
150	1088 1301 02	CABLE STRIP	4				
160	1613 0809 01	BRACKET	3				
200	0160 6045 00	SLOTTED SCREW	4				
210	0266 2106 00	HEXAGON NUT	4				
220	0301 2315 00	PLAIN WASHER	4				
230	0333 3214 00	LOCK WASHER	4				

FUEL LEVEL SHUT DOWN
UITSCHAKELING BRANDSTOFTEKORT
ARRET CARBURANT BAS
ABSCHALTEN BEI NIEDRIGEM KRAFTSTOFFSTAND
DESCONEXIÓN POR NIVEL DE COMBUSTIBLE BAJO
AVSTÄNGNING FÖR LÅG BRÄNSLENIVÅ

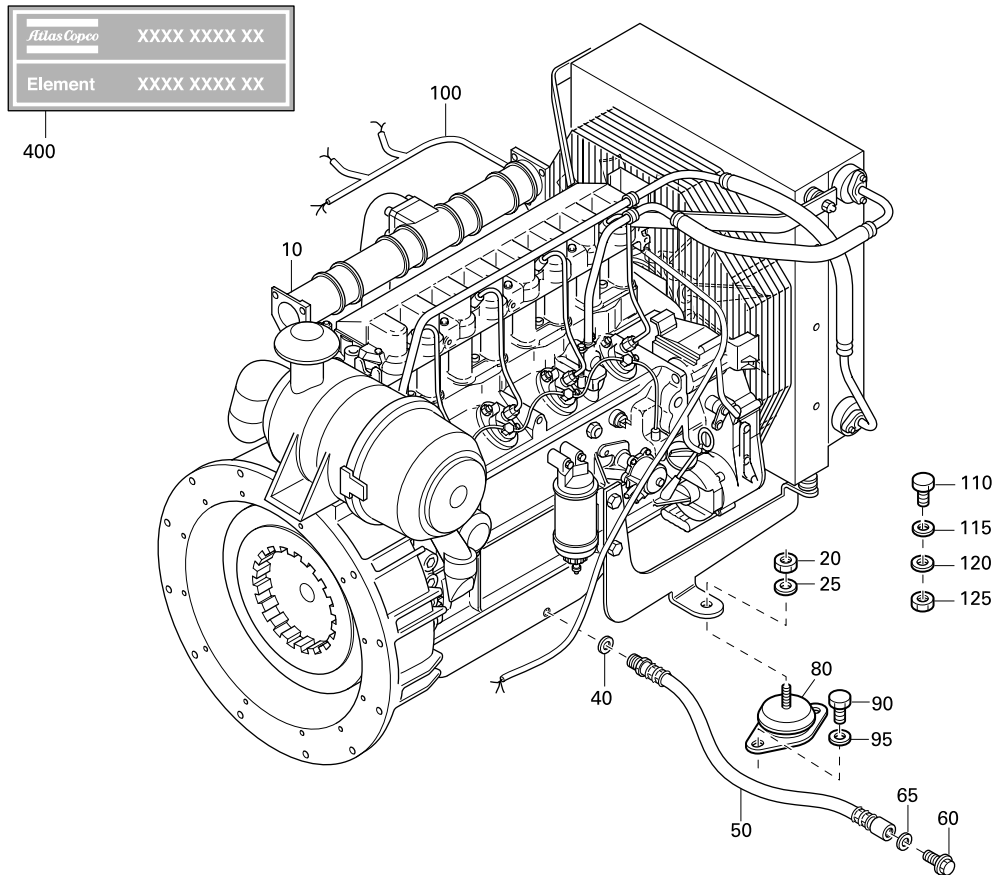
OPTION

QIX40 Dd

ARRESTO CARBURANTE BASSO
AVSTENING LAVT DRIVSTOFFNIVÅ
AFBRYDER VED LAVT BRÆNDSTOFNIVEAU
ΔΙΑΚΟΠΤΗΣ ΧΑΜΗΛΗΣ ΣΤΑΘΜΗΣ ΚΑΥΣΙΜΟΥ
DESLIGAÇÃO DE COMBUSTÍVEL BAIXO
ALHAISEN POLTTOAINETASON PYSÄYTYS



REF	PART NUMBER	DESIGNATION	QTY	REF	PART NUMBER	DESIGNATION	QTY
10	1089 9467 12	LEVEL SWITCH	1				
20	1604 1029 01	WIRE HARNESS	1				



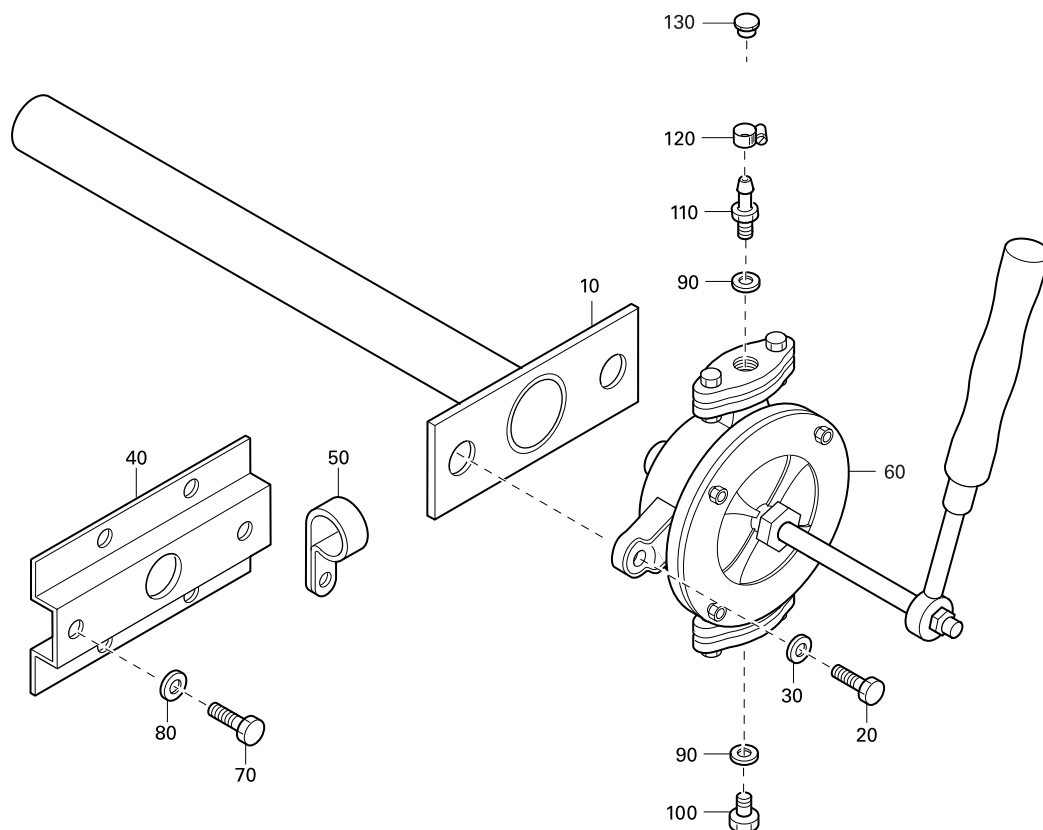
REF	PART NUMBER	DESIGNATION	QTY	REF	PART NUMBER	DESIGNATION	QTY
10	1615 9810 80	ENGINE (For details see page 88)	1				
20	0291 1111 00	LOCKNUT	2				
25	0302 1274 01	PLAIN WASHER	2				
40	0661 1030 00	SEALING WASHER	1				
50	1615 9822 00	HOSE ASSEMBLY	1				
60	0686 3716 02	HEXAGON PLUG	1				
65	0661 1033 00	SEALING WASHER	1				
80	1619 5506 85	BUFFER ASSEMBLY	2				
90	0147 1323 15	HEX. HEAD SCREW	4				
95	0301 2335 00	PLAIN WASHER	4				
100	1615 9843 00	WIRE HARNESS	1				
110	0160 6069 00	SLOTTED SCREW	2				
115	0301 2318 00	PLAIN WASHER	2				
120	0333 3215 00	LOCK WASHER	2				
125	0266 2107 00	HEXAGON NUT	2				
400	1604 1081 00	LABEL	1				

OIL DRAIN PUMP
 OLIEAFTAPPOMP
 POMPE DE VIDANGE D'HUILE
 ÖLABLAGPUMPE
 BOMBA DE DRENAJE DE ACEITE
 OLJEAVTAPNINGSPUMP

OPTION

QIX40 Dd

POMPA DI SPURGO OLIO
 OLJEDRENERINGSPUMPE
 OLIEDRÆNPUMPE
 ΑΝΤΛΙΑ ΕΚΚΕΝΩΣΗ ΛΑΔΙΟΣ
 BOMBA DE DRENAGEM DE ÓLEO
 ÖLJYN TYHJENNYSPUMPPU



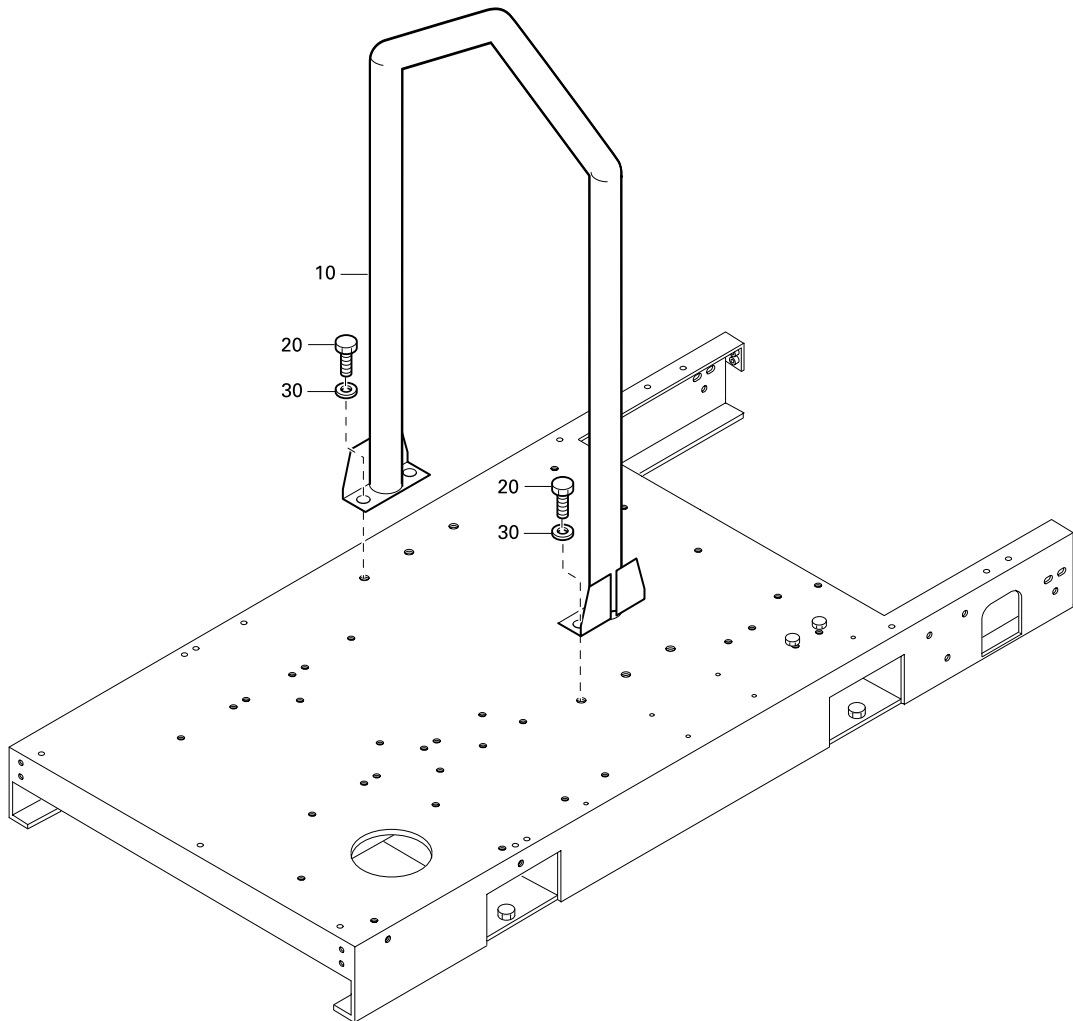
REF	PART NUMBER	DESIGNATION	QTY	REF	PART NUMBER	DESIGNATION	QTY
10	1604 1025 00	SUPPORT	1				
20	0147 1479 03	HEX. HEAD SCREW	2				
30	0333 3244 00	SPRING WASHER	2				
40	1604 1040 00	SUPPORT	1				
50	0346 2900 12	PIPE CLAMP	2				
60	1615 8393 00	OILPUMP	1				
70	0147 1367 03	HEX. HEAD SCREW	2				
80	0301 2344 00	PLAIN WASHER	2				
90	0661 1030 00	SEALING WASHER	2				
100	0686 3716 02	HEXAGON PLUG	1				
110	0571 0020 15	HOSE NIPPLE	1				
120	0347 6103 00	HOSE CLAMP	1				
130	0686 9170 00	PROTECTING PLUG	1				

LIFTING FRAME
HIJSFREEM
CADRE DE LEVAGE
HEBERAHMEN
BASTIDOR DE IZAR
LYFTRAM

OPTION

QIX40 Dd

STRUTTURA DI SOLLEVAMENTO
LØFTERAMME
LØFTERAMME
ΠΛΑΙΣΙΟ ΑΝΥΨΩΣΗΣ
QUADRO DE ELEVAÇÃO
NOSTOTELINE



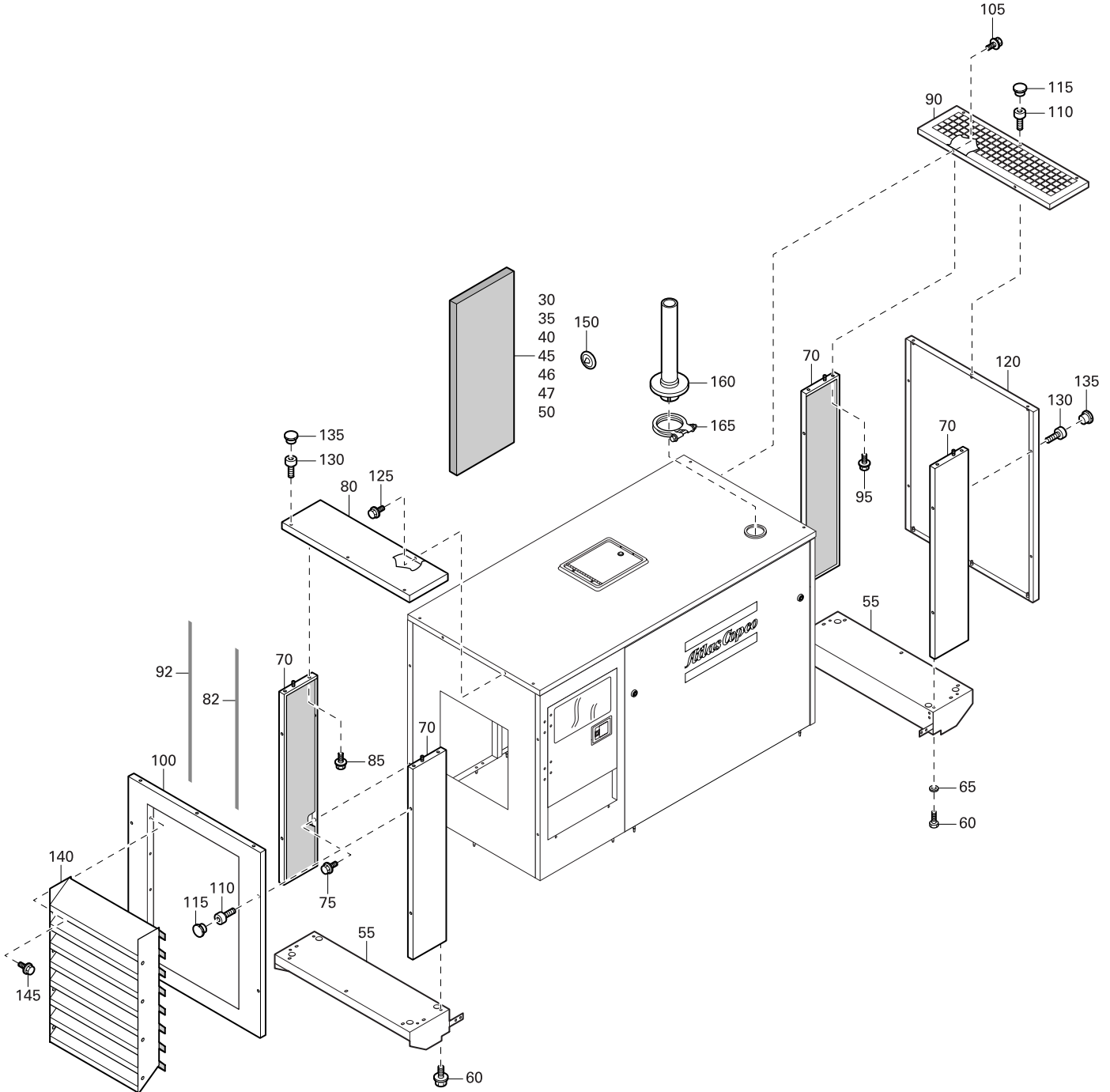
REF	PART NUMBER	DESIGNATION	QTY	REF	PART NUMBER	DESIGNATION	QTY
10	1615 9820 00	LIFTING SUPPORT	1				
20	0147 1479 03	HEX. HEAD SCREW	4				
30	0302 1274 04	PLAIN WASHER	4				

SUPER SOUND ATTENUATED EXTENSIONS
STERK GELUIDDEMPENDE UITBREIDINGEN
EXTENSIONS D'ATTÉNUATION EXTRÊME DU BRUIT
SUPER-SCHALLGEDÄMPFTE ERWEITERUNGEN
EXTENSIONES CON AISLANTE ACÚSTICO ESPECIAL
HÖGEFFEKTIVA LJUDDÄMPANDE FÖRLÄNGNINGAR

OPTION

QIX40 Dd

ESTENSIONI ATTENUATE SUPER SUONO
SUPERLYDDEMPENDE UTVIDELSER
UDVIDELSER MED KRAFTIG LYDDÆMPNING
ΣΟΥΠΕΡ ΗΧΟΜΟΝΩΜΕΝΕΣ ΠΡΟΕΚΤΑΣΕΙΣ
EXTENSÕES ATENUADAS DE SOM OPTIMIZADAS
ERITTÄIN TEHOKKAASTI ÄÄNTÄ VAIMENTAVAT JATKO-OSAT



SUPER SOUND ATTENUATED EXTENSIONS
 STERK GELUIDDEMPENDE UITBREIDINGEN
 EXTENSIONS D'ATTÉNUATION EXTRÊME DU BRUIT
 SUPER-SCHALLGEDÄMPFTE ERWEITERUNGEN
 EXTENSIONES CON AISLANTE ACÚSTICO ESPECIAL
 HÖGEFFEKTIVA LJUDDÄMPANDE FÖRLÄNGNINGAR

OPTION

QIX40 Dd

ESTENSIONI ATTENUATE SUPER SUONO
 SUPERLYDDEMPENDE UTVIDELSER
 UDVIDELSER MED KRAFTIG LYDDÆMPNING
 ΣΟΥΠΕΡ ΗΧΟΜΟΝΩΜΕΝΕΣ ΠΡΟΕΚΤΑΣΕΙΣ
 EXTENSÕES ATENUADAS DE SOM OPTIMIZADAS
 ERITTÄIN TEHOKKAASTI ÄÄNTÄ VAIMENTAVAT JATKO-OSAT

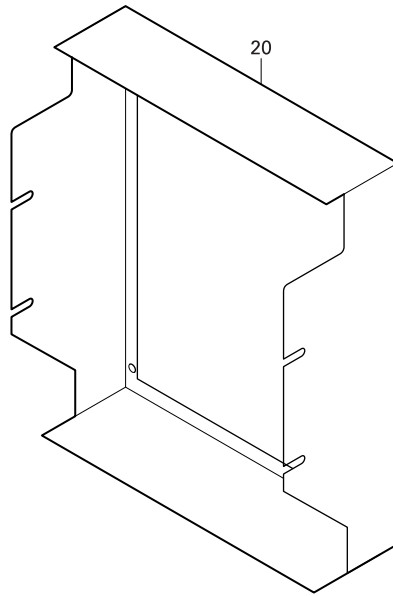
REF	PART NUMBER	DESIGNATION	QTY	REF	PART NUMBER	DESIGNATION	QTY
30	-	SILENCING FOAM	1				
35	-	SILENCING FOAM	1				
40	-	SILENCING FOAM	1				
45	-	SILENCING FOAM	1				
46	-	SILENCING FOAM	1				
47	-	SILENCING FOAM	1				
50	-	SILENCING FOAM	1				
55	1604 4161 01	FRAME EXTENSION	2				
60	1619 2766 00	BOLT	16				
70	1604 4162 82	PANEL ASSY	4				
		(For details see page 31)					
75	1619 2766 00	BOLT	8				
80	1604 4164 81	ROOF PANEL ASSY	1				
		(For details see page 32)					
82	1619 3843 01	SEAL	AR				
85	1619 2766 00	BOLT	4				
90	1604 4166 00	ROOF OUTLET	1				
92	1619 3843 01	SEAL	AR				
95	1619 2766 00	BOLT	4				
100	1604 4167 01	PANEL FRONT	1				
105	1619 2766 00	BOLT	3				
110	0211 1327 03	HEX SOCK. SCREW	7				
115	1615 6005 00	PLUG	7				
120	1604 4168 81	PANEL ASSY	1				
		(For details see page 33)					
125	1619 2766 00	BOLT	3				
130	0211 1327 03	HEX SOCK. SCREW	7				
135	1615 6005 00	PLUG	7				
140	1604 4170 82	BAFFLE ASSY	1				
		(For details see page 34)					
145	1619 2766 00	BOLT	8				
150	1615 7884 00	CLIP	12				
160	1604 4484 00	EXHAUST PIPE	1				
165	1604 3462 00	PIPE CLAMP	1				
-	1079 0003 32	FOAM PLAST. PERMANENT ADHESIVE 2000 mm x 1500 mm x 30 mm					

AIR DUCT KIT
LUCHTKOKERKIT
KIT D'ADMISSION D'AIR
LUFTKANALSET
KIT DE CONDUCTOS DE AIRE
LUFTLEDNINGSATS

OPTION

QIX40 Dd

KIT TUBI ARIA
LUFTKANALSETT
LUFTSKAKTSÆT
KIT ΑΕΡΑΓΩΓΟΥ
CONJUNTO DO TUBO DE AR
ILMAPUTKIPAKETTI



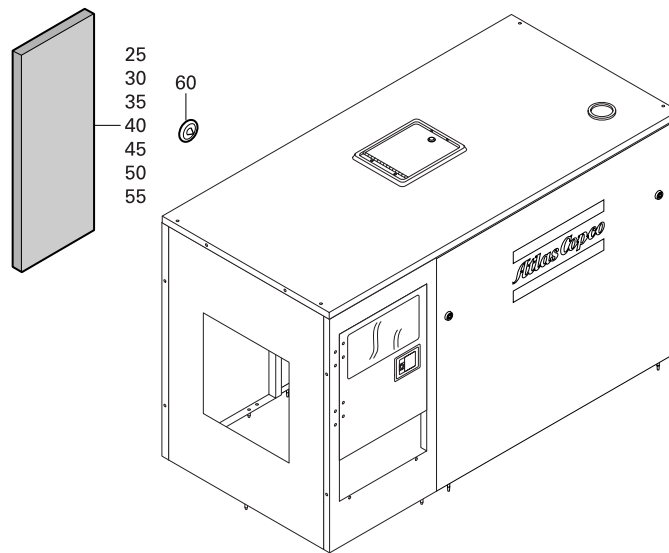
REF	PART NUMBER	DESIGNATION	QTY	REF	PART NUMBER	DESIGNATION	QTY
20	1615 9824 01	AIR DUCT	1				

SOUND ATTENUATED CANOPY
 GELUIDDEMPENDE BESCHERMINGSKAP
 CAPOTE BRUIT ATTENUÉ
 SCHALLGEDÄMPFTES KABINENDACH
 AISLANTE ACÚSTICO
 LJUDISOLERAD HUV

OPTION

QIX40 Dd

COPERTURA INSONORIZZANTE
 LYDDEMPENDE OVERBYGNING
 LYDDÆMPENDE OVERDÆKNING
 HXOMONQMEMO KOYBOYKAIQ
 COBERTURA DE SOM ATENUADO
 ÄÄNTÄ VAIMENTAVA KATOS



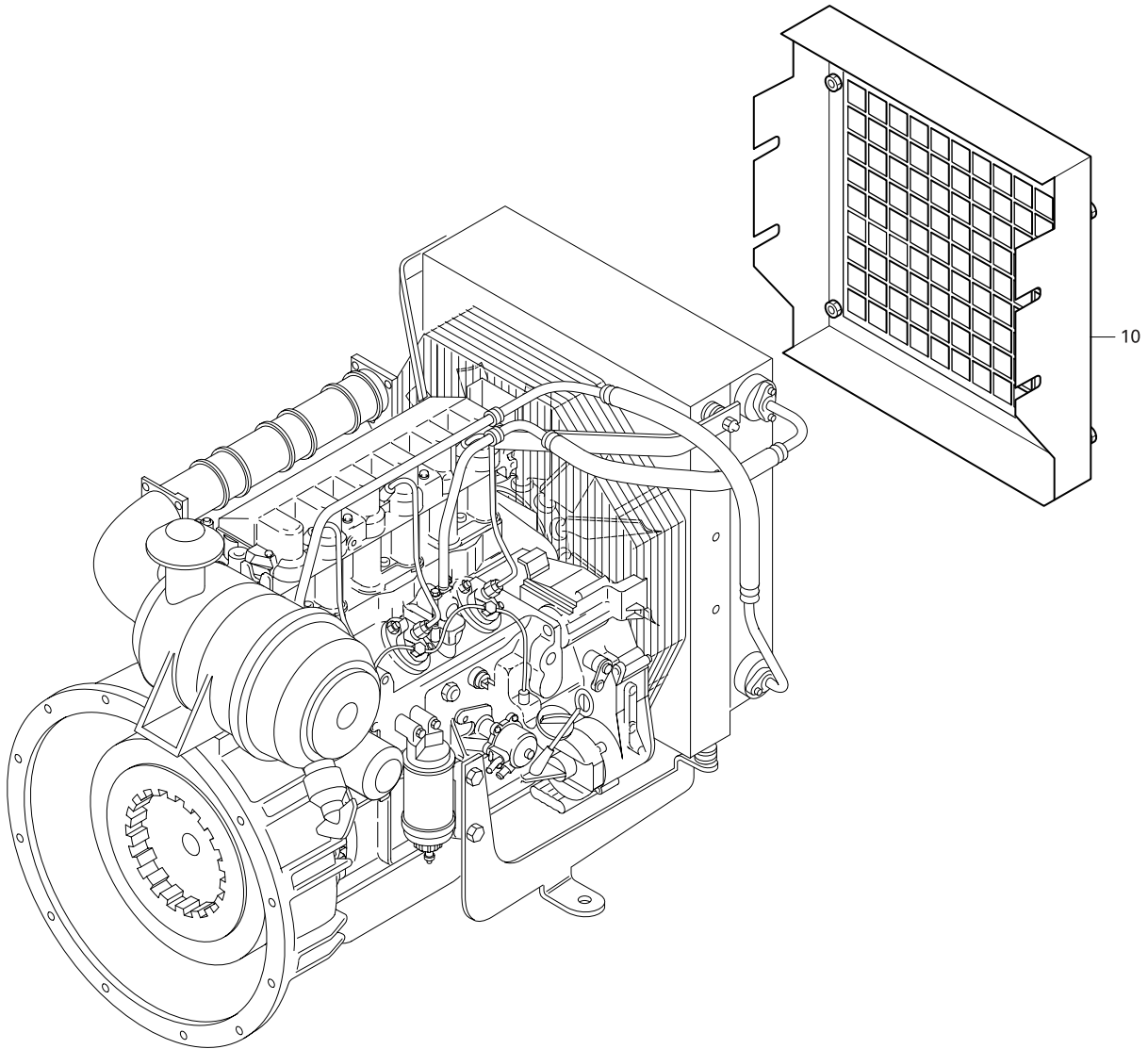
REF	PART NUMBER	DESIGNATION	QTY	REF	PART NUMBER	DESIGNATION	QTY
25	-	SILENCING FOAM	1				
30	-	SILENCING FOAM	1				
35	-	SILENCING FOAM	1				
40	-	SILENCING FOAM	1				
45	-	SILENCING FOAM	1				
50	-	SILENCING FOAM	1				
55	-	SILENCING FOAM	1				
60	1615 7884 00	CLIP	10				
-	1079 0003 32	FOAM PLAST. PERMANENT ADHESIVE 2000 mm x 1500 mm x 30 mm					

STONE GUARD KIT
STEENWEERDERSET
KIT PARE-PIERRES
NACHRÜSTSATZ STEINSCHUTZ
KIT DE PROTECCIÓN CONTRA PIEDRAS
STENSKYDD - KIT

OPTION

QIX40 Dd

KIT PER GRIGLIA COPRIRADIATORE
STEINVERNSETT
BESKYTTELSESGITTERSÆT
ΣΕΤ ΠΡΟΦΥΛΑΚΤΗΡΑ ΓΙΑ ΠΕΤΡΕΣ
CONJUNTO DE PROTECÇÃO CONTRA PEDRAS
KIVISUOJUSSARJA



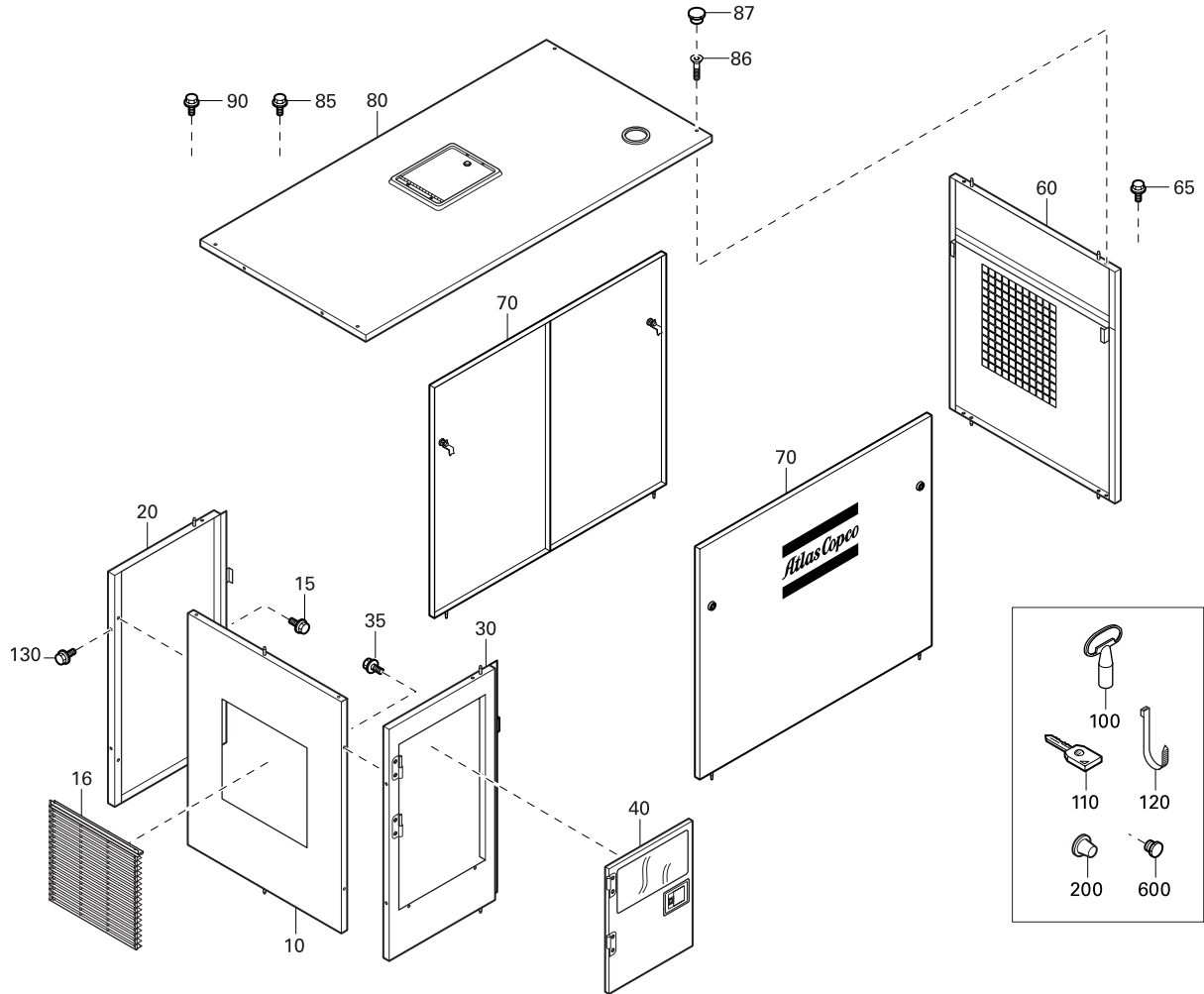
REF	PART NUMBER	DESIGNATION	QTY	REF	PART NUMBER	DESIGNATION	QTY
-	1604 1069 80	STONE GUARD KIT (For details see page 29)	1				

CANOPY KIT
 KAPSET
 KIT CAPOTE
 NACHRÜSTSATZ KABINENDACH
 KIT DE TOLDO
 HUV - KIT

OPTION

QIX40 Dd

KIT PER CALOTTA
 OVERBYGNINGSSETT
 SÆT TIL VEJRBESTANDIG OVERDÆKNING
 KIT KOYBOYKAIÖY
 CONJUNTO DA CAPOTA
 SUOJAKUPUSARJA



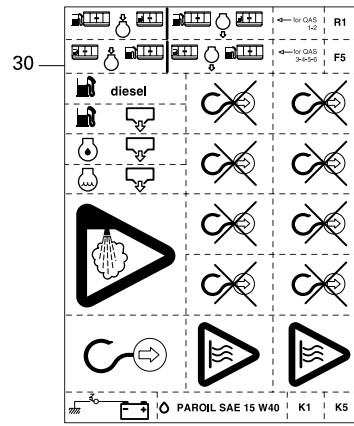
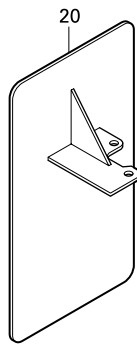
REF	PART NUMBER	DESIGNATION	QTY	REF	PART NUMBER	DESIGNATION	QTY
10	1615 9816 00	REAR PANEL	1	110	1615 7271 00	KEY	2
15	1619 2766 00	BOLT	2	120	1088 1301 02	CABLE STRIP	1
16	1202 8862 00	GRATING	1	130	1619 2766 00	BOLT	12
20	1615 9867 01	PANEL	1	200	0686 9221 00	PROTECTING PLUG	1
30	1615 9868 82	PANEL ASSY (For details see page 89)	1	600	1604 1046 00	PLUG	2
35	1619 2766 00	BOLT	6				
40	1615 9848 80	DOOR ASS'Y (For details see page 87)	1				
60	1615 9818 03	FRONT PANEL	1				
65	1619 2766 00	BOLT	2				
70	1615 9817 82	DOOR ASS'Y (For details see page 84)	2				
80	1615 9819 83	PANEL ASSY (For details see page 85)	1				
85	1619 2766 00	BOLT	2				
86	0211 1325 03	HEX SOCK. SCREW	4				
87	1615 6005 00	PLUG	4				
90	1619 2766 00	BOLT	2				
100	1089 9068 01	KEY	2				

HEAT SHIELD KIT
 WARMTEWERENDE BESCHERMING
 KIT ECRAN DE CHALEUR
 NACHRÜSTSATZ HITZESCHUTZ
 KIT DE PANTALLA TÉRMICA
 VÄRMESKÄRM - KIT

OPTION

QIX40 Dd

KIT PER SCUDO TERMICO
 VARMESKJOLDSETT
 VARMESKJOLDSÆT
 ΚΙΤ ΘΕΡΜΙΚΗΣ ΑΣΠΙΑΣ
 CONJUNTO DA BLINDAGEM TÉRMICA
 LÄMPÖKILPISARJA



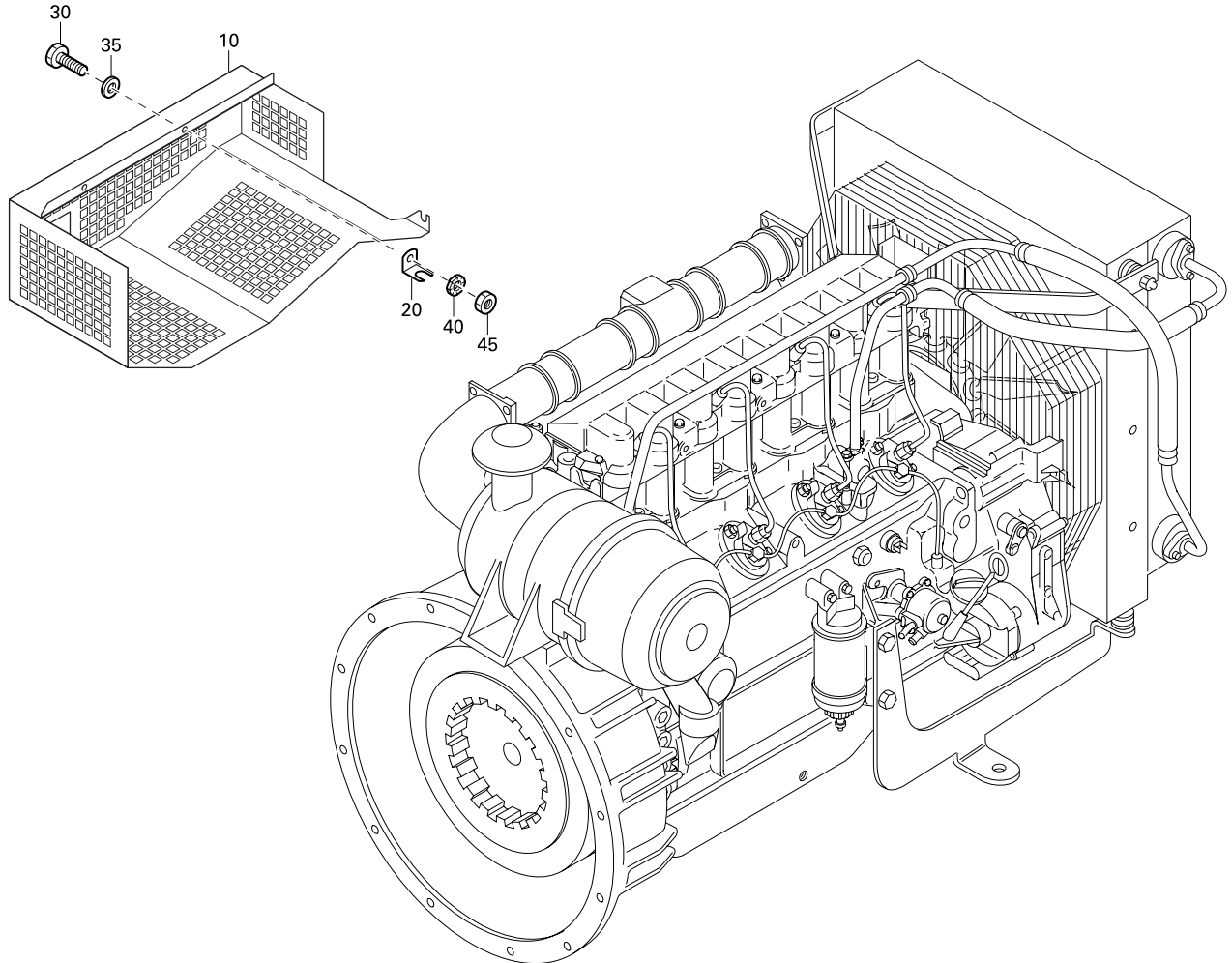
REF	PART NUMBER	DESIGNATION	QTY	REF	PART NUMBER	DESIGNATION	QTY
20	1604 4493 01	SHIELD	1				
30	1079 9901 87	LABEL	1				

HOT SPOT GUARDS
 KRITIEKE PLAATSBESCHERMINGEN
 PROTECTIONS BRULURES
 SCHUTZVERKLEIDUNGEN HEISSE BAUTEILE
 PROTECCIONES DE PUNTOS A ALTA TEMPERATURA
 HOTSPOT-SKYDD

OPTION

QIX40 Dd

PROTEZIONI PUNTI CALDI
 SPENNINGSPUNKTVERN
 VARMEAFSKÆRMINGER
 ΠΡΟΦΥΛΑΚΤΗΡΕΣ ΚΑΥΤΩΝ ΣΗΜΕΙΩΝ
 PROTECÇÃO PONTOS QUENTES
 LÄMPÖHUIPPUSUOJAT



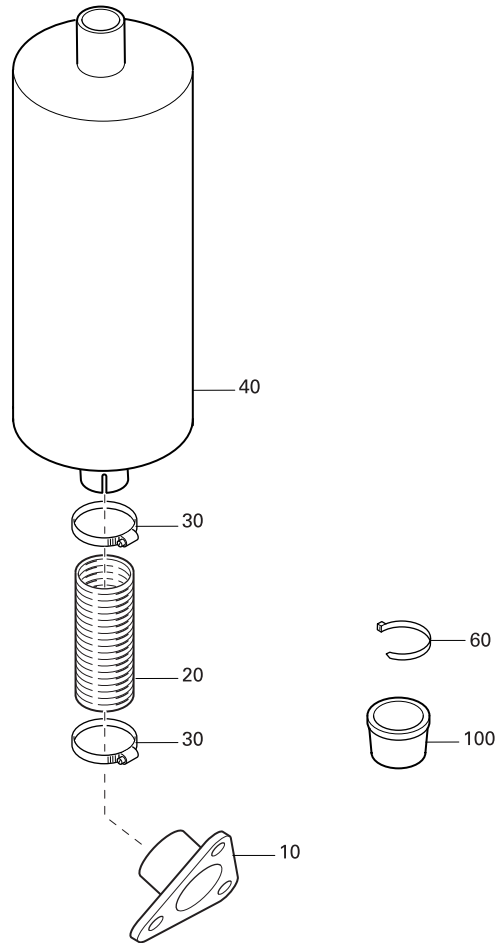
REF	PART NUMBER	DESIGNATION	QTY	REF	PART NUMBER	DESIGNATION	QTY
10	1615 9959 01	HEAT SHIELD	1				
20	1613 0809 01	BRACKET	2				
30	0147 1244 03	HEX. HEAD SCREW	2				
35	0301 2321 00	PLAIN WASHER	2				
40	0333 3220 00	LOCK WASHER	2				
45	0266 2108 00	HEXAGON NUT	2				

LOOSE INDUSTRIAL MUFFLER
 LOSSE INDUSTRIËLE GELUIDDEMPER
 SILENCIEUX INDUSTRIEL SÉPARÉ
 LOSER SCHALLDÄMPFER FÜR GEWERBLICHE ANWENDUNG
 SILENCIADOR INDUSTRIAL LIBRE
 LÖS INDUSTRIELL LJUDDÄMPARE

OPTION

QIX40 Dd

SILENZIATORE INDUSTRIALE SCIOLTO
 LØS INDUSTRIELL LYDDEMPER
 LØS INDUSTRIELL LYDDÆMPER
 ΑΦΑΙΡΟΥΜΕΝΟΣ ΒΙΟΜΗΧΑΝΙΚΟΣ ΣΙΓΑΣΤΗΡΑΣ
 AMORTECEDOR DE SOM INDUSTRIAL EM SEPARADO
 IRRALLINEN TEOLLINEN ÄÄNENVAIMENNIN



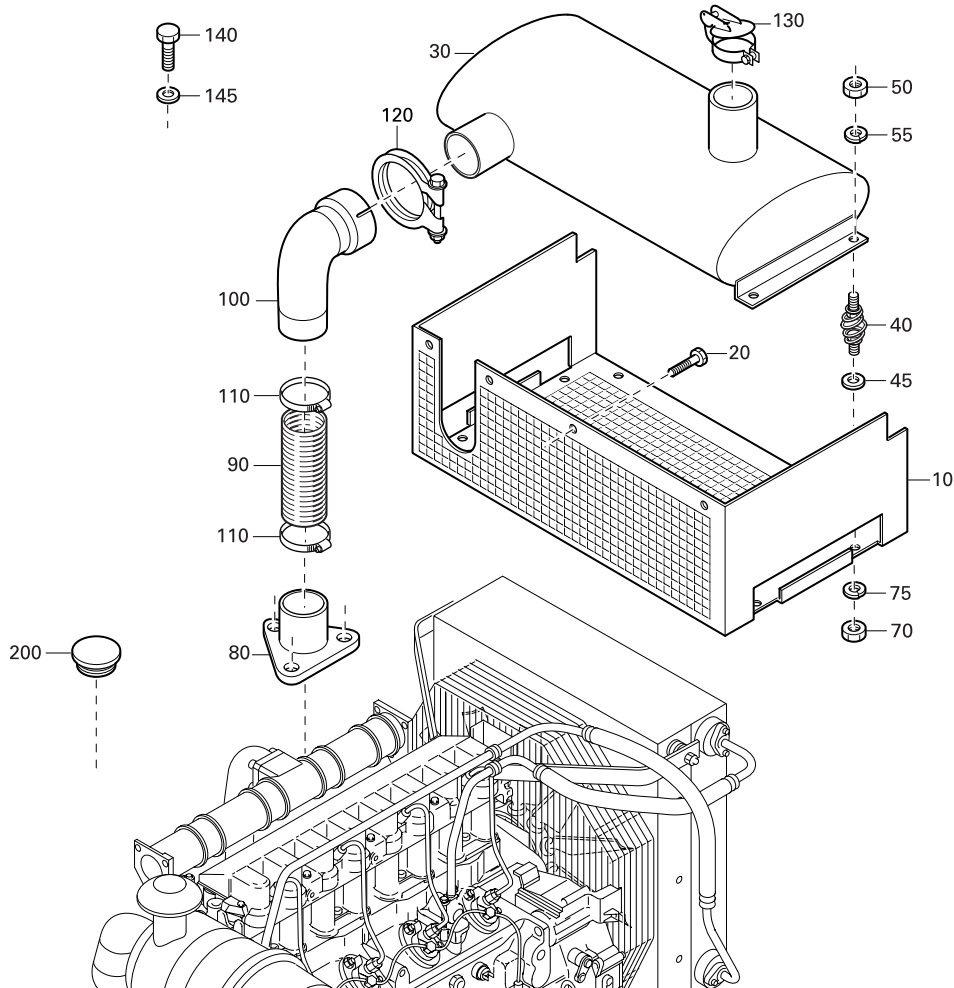
REF	PART NUMBER	DESIGNATION	QTY	REF	PART NUMBER	DESIGNATION	QTY
10	1615 7659 01	EXHAUST PIPE	1				
20	1615 7121 01	EXHAUST PIPE (FLEX.)	1				
30	0346 3001 01	PIPE CLAMP	2				
40	1615 9836 01	MUFFLER	1				
60	1088 1301 06	CABLE CLIP	4				
100	0686 9170 00	PROTECTING PLUG	1				

MOUNTED RESIDENTIAL MUFFLER
 GEMONTEERDE RESIDENTIËLE GELUIDDEMPEL
 SILENCIEUX RESIDENTIEL MONTE
 MONTIERTER RESTSCHALLDÄMPFER
 SILENCIADOR RESIDENCIAL MONTADO
 MONTERAD LJUDDÄMPARE FÖR BOSTADSOMRÅDEN

OPTION

QIX40 Dd

SILENZIATORE RESIDENZIALE MONTATO
 MONTERT LYDDEMPEL FOR BOLIGOMRÅDE
 MONTERET LYDDÆMPER TIL BOLIGOMRÅDER
 ΣΙΓΑΣΤΗΡΑΣ ΑΣΤΙΚΟΥ ΤΥΠΟΥ ΤΟΠΟΘΕΤΗΜΕΝΟΣ
 SILENCIADOR RESIDENCIAL MONTADO
 KIINNITETTY ASUINYMPÄRISTÖN ÄÄNENVAIMENNIN



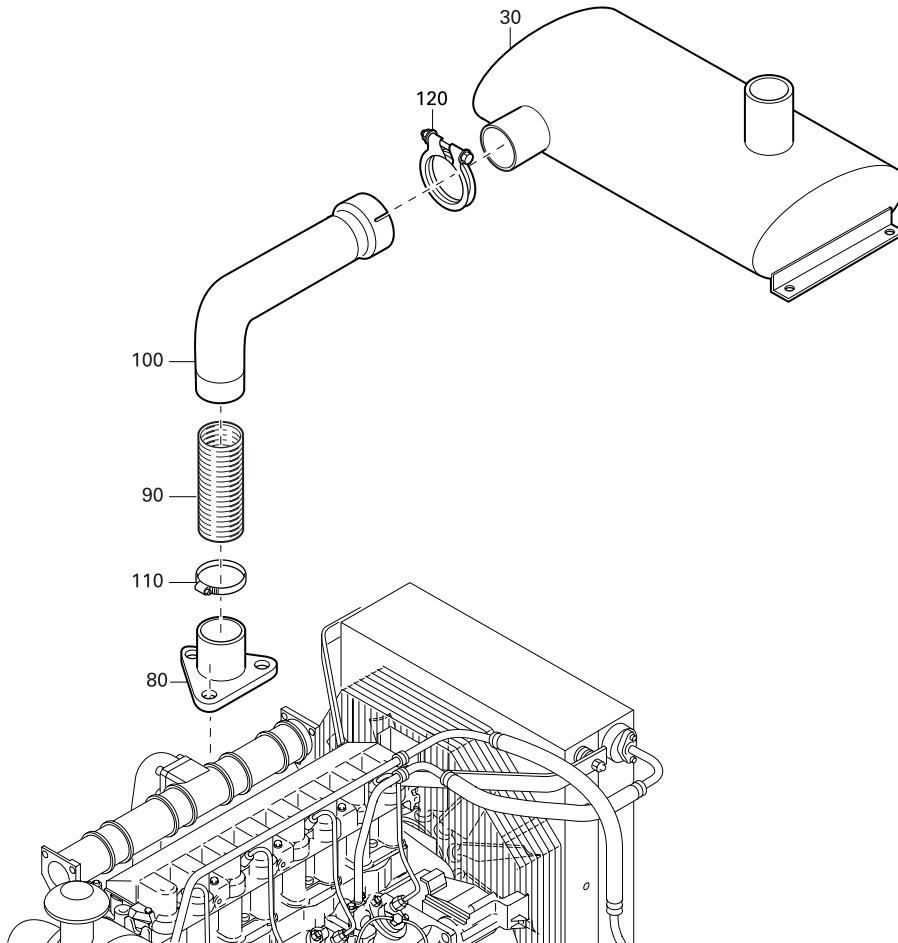
REF	PART NUMBER	DESIGNATION	QTY	REF	PART NUMBER	DESIGNATION	QTY
10	1615 9829 03	PROTECTION	1				
20	1619 2766 00	BOLT	6				
30	1615 9828 00	MUFFLER	1				
40	1615 9869 01	BUFFER	4				
45	0300 8019 00	PLAIN WASHER	4				
50	0266 2110 00	HEXAGON NUT	4				
55	0333 3227 00	LOCK WASHER	4				
70	0266 2110 00	HEXAGON NUT	4				
75	0333 3227 00	LOCK WASHER	4				
80	1615 7659 01	EXHAUST PIPE	1				
90	1615 7121 01	EXHAUST PIPE (FLEX.)	1				
100	1615 9839 00	EXHAUST PIPE	1				
110	0346 3001 01	PIPE CLAMP	2				
120	0346 3000 21	PIPE CLAMP	1				
130	1615 6955 00	EXHAUST COVER	1				
140	0147 1246 03	HEX. HEAD SCREW	2				
145	0301 2335 00	PLAIN WASHER	2				
200	0686 9221 00	PROTECTING PLUG	1				

LOOSE RESIDENTIAL MUFFLER
 DEMONTEERBARE RESIDENTIELE GELUIDDEMPER
 SILENCIEUX RÉSIDENTIEL DÉMONTABLE
 BEILIEGENDER RESTSCHALLDÄMPFER
 SILENCIADOR RESIDENCIAL DESMONTABLE
 DEMONTERBAR RESTLJUDDÄMPARE

OPTION

QIX40 Dd

MARMITTA AUSILIARIA STACCABILE
 LØS LYDDEMPER FOR BOLIGHUS
 LØS LYDDÆMPER TIL BOLIGOMRÅDER
 ΑΣΤΑΘΗΣ ΕΞΩΤΕΡΙΚΟΣ ΣΙΓΑΣΤΗΡΑΣ
 AMOTECEDOR DO SOM SECUNDÁRIO FORNECIDO SEPARADAMENTE
 IRRALLINEN ASUNNON ÄÄNENVAIMENNIN



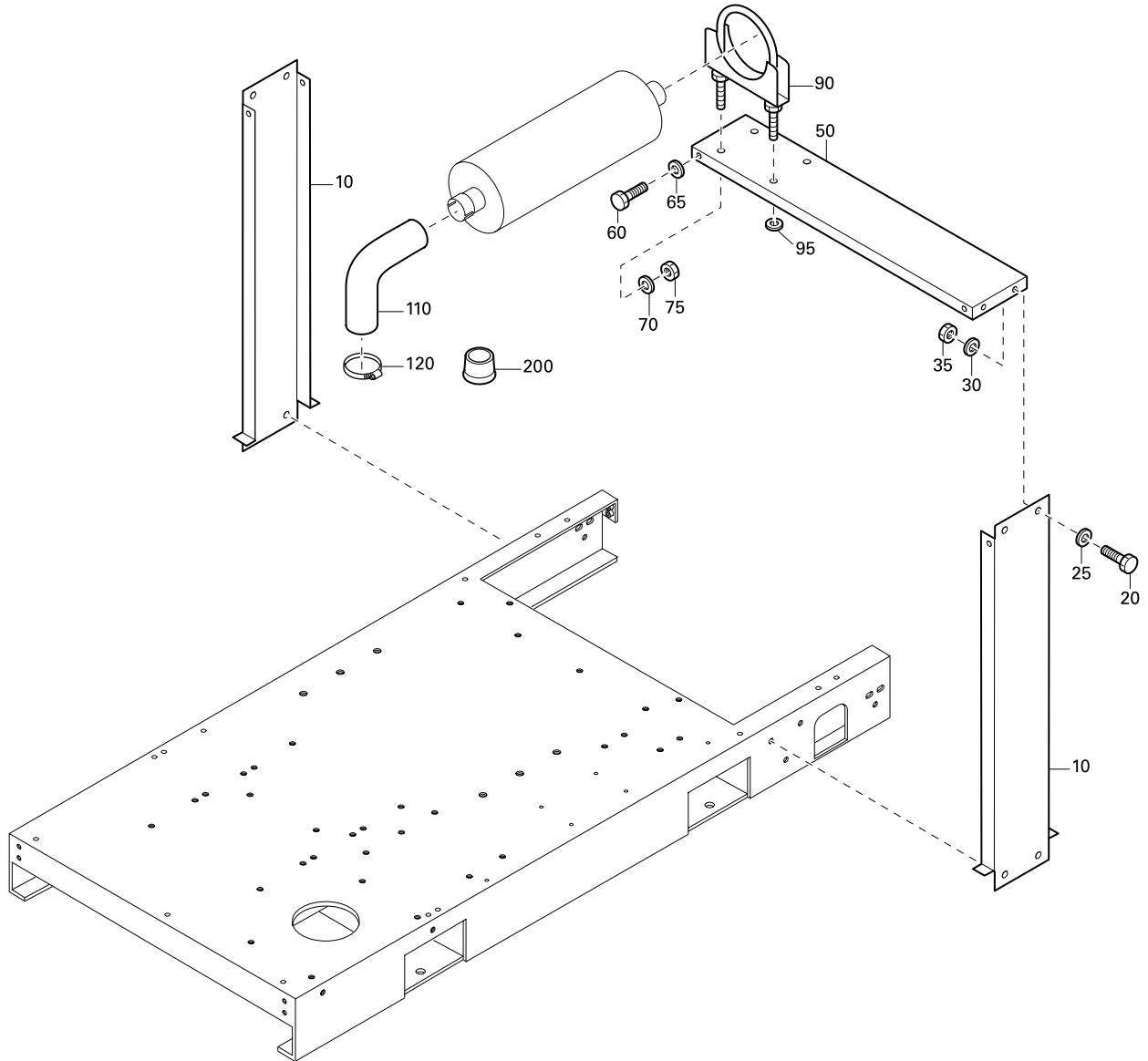
REF	PART NUMBER	DESIGNATION	QTY	REF	PART NUMBER	DESIGNATION	QTY
30	1615 9828 00	MUFFLER	1				
80	1615 7659 01	EXHAUST PIPE	1				
90	1615 7121 01	EXHAUST PIPE (FLEX.)	1				
100	1615 9846 00	EXHAUST PIPE	1				
110	0346 3001 01	PIPE CLAMP	2				
120	0346 3000 21	PIPE CLAMP	1				

MOUNTED INDUSTRIAL MUFFLER
 GEMONTEERDE INDUSTRIELE GELUIDDEMPER
 SILENCIEUX INDUSTRIEL MONTE
 MONTIERTER SCHÄLLDAMPFER GEWERBL. ANWENDUNG
 SILENCIADOR INDUSTRIAL MONTADO
 MONTERAD INDUSTRIELL LJUDDÄMPARE

OPTION

QIX40 Dd

MARMITTA INDUSTRIALE MONTATA
 PÅMONTERT INDUSTRIELL LYDDEMPER
 MONTERET INDUSTRIEL LYDDÆMPER
 ΒΙΟΜΗΧΑΝΙΚΟΣ ΣΙΓΑΣΤΗΡΑΣ ΤΟΠΟΘΕΤΗΜΕΝΟΣ
 AMORTECEDOR DO SOM INDUSTRIAL MONTADO
 ASENNETTU TEOLLINEN ÄÄNENVAIMENNIN



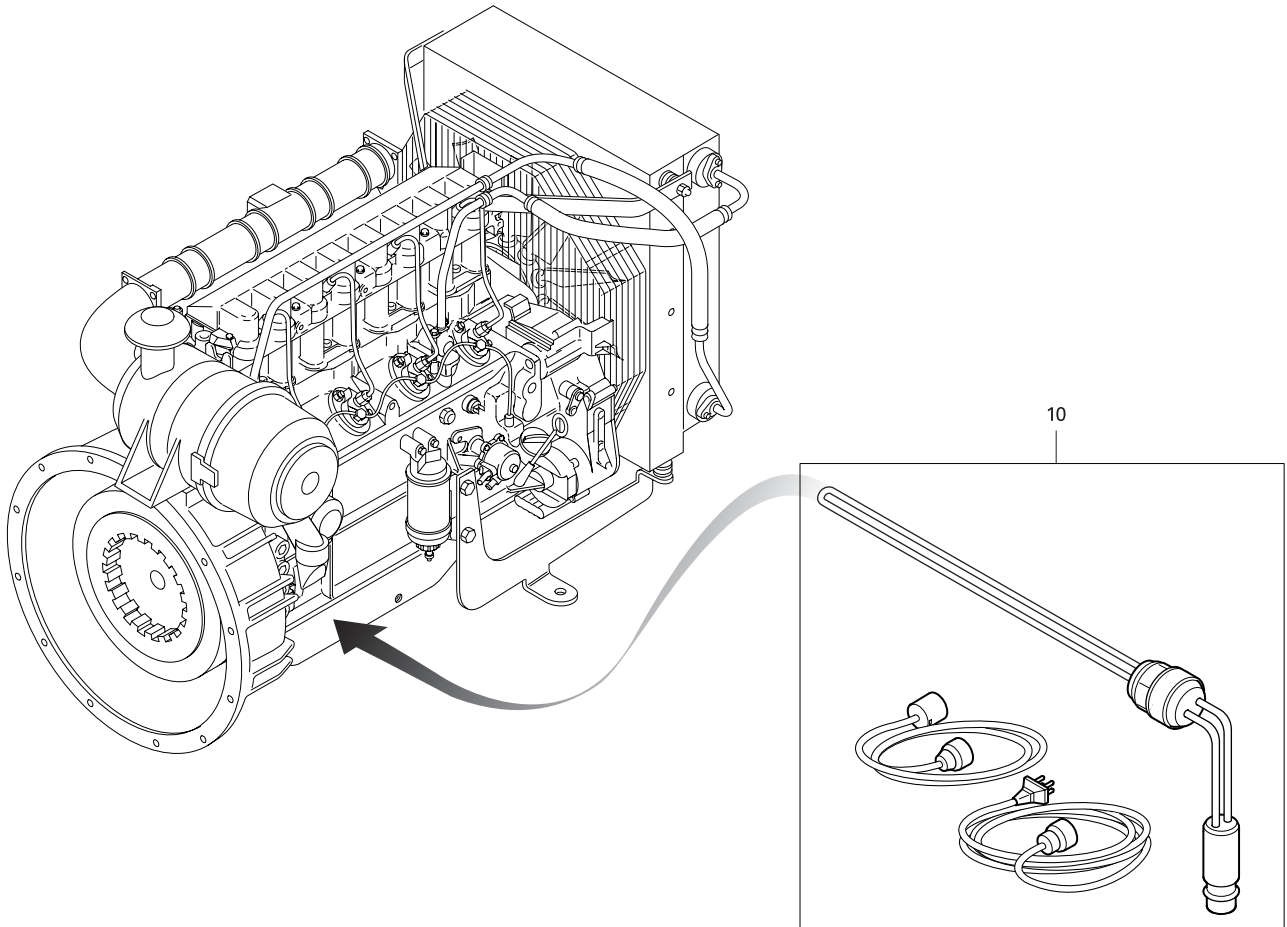
REF	PART NUMBER	DESIGNATION	QTY	REF	PART NUMBER	DESIGNATION	QTY
10	1604 1519 00	SUPPORT	2				
20	0147 1325 03	HEX. HEAD SCREW	8				
25	0301 2335 00	PLAIN WASHER	8				
30	0333 3227 00	LOCK WASHER	8				
35	0266 2110 00	HEXAGON NUT	8				
50	1604 1528 00	SUPPORT	1				
60	0147 1325 03	HEX. HEAD SCREW	8				
65	0301 2335 00	PLAIN WASHER	8				
70	0333 3227 00	LOCK WASHER	8				
75	0266 2110 00	HEXAGON NUT	8				
90	0346 2900 16	PIPE CLAMP	2				
95	0301 2344 00	PLAIN WASHER	4				
110	1604 1525 00	EXHAUST PIPE	1				
120	0346 3001 01	PIPE CLAMP	1				
200	0686 9170 00	PROTECTING PLUG	1				

COOLANT HEATER
 KOELVLOEISTOFVERWARMER
 CHAUFFAGE REFRIGERANT
 KÜHLMITTELHEIZUNG
 CALEFACTOR-REFRIGERANTE
 KYLVÄTSKEVÄRMARE

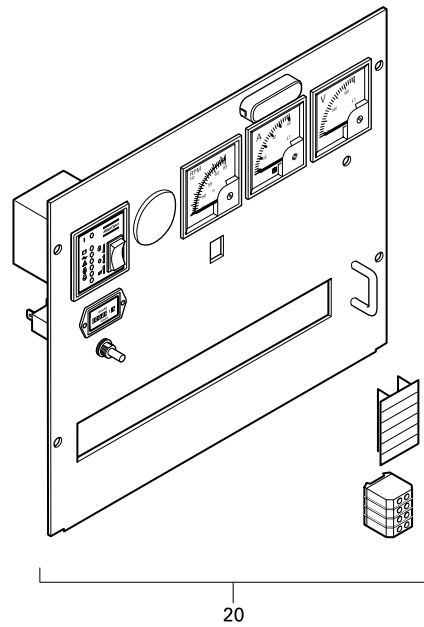
OPTION

QIX40 Dd

RISCALDATORE REFRIGERANTE
 KJØLEVÆSKEVARMER
 KØLEVÆSKEOPVARMER
 ΘΕΡΜΑΝΤΗΡΑΣ ΨΥΚΤΙΚΟΥ ΥΓΡΟΥ
 AQUECEDOR DE REFRIGERANTE
 JÄÄHDYTYSNESTEEN LÄMMITIN



REF	PART NUMBER	DESIGNATION	QTY	REF	PART NUMBER	DESIGNATION	QTY
10	1615 9838 81	OIL HEATER KIT	1				



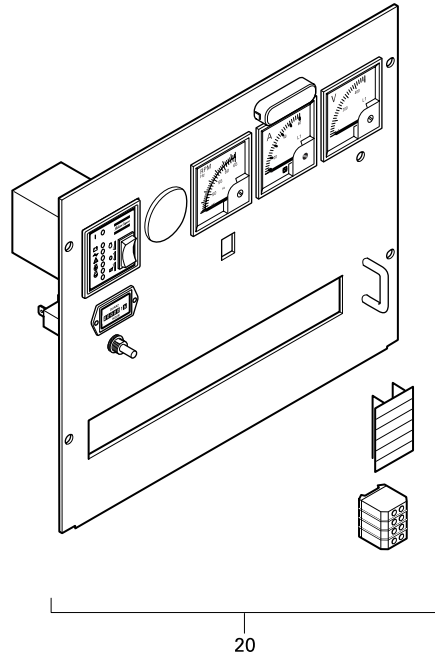
REF	PART NUMBER	DESIGNATION	QTY	REF	PART NUMBER	DESIGNATION	QTY
20	1604 4666 80	REMOTE START (For details see page 40)	1				

CONTROL PANEL
INSTRUMENTENTAFEL
PANNEAU DE COMMANDE
SCHALTAFEL
PANEL DE MANDO
KONTROLLPANEL

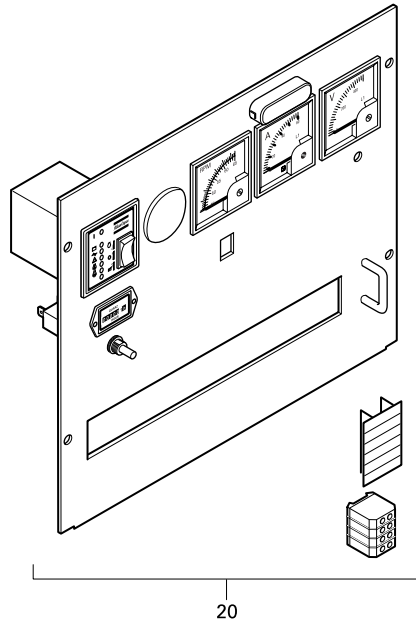
OPTION

QIX40 Dd
380 V - 3 Ph - RS
220-240 V - 1 Ph - RS

PANNELLO DI CONTROLLO
KONTROLLPANEL
KONTROLLPANEL
ΠΙΝΑΚΑΣ ΕΛΕΓΧΟΥ
PAINEL DE CONTROLO
OHJAUSTAULU



REF	PART NUMBER	DESIGNATION	QTY	REF	PART NUMBER	DESIGNATION	QTY
20	1604 4667 80	REMOTE START (For details see page 41)	1				



REF	PART NUMBER	DESIGNATION	QTY	REF	PART NUMBER	DESIGNATION	QTY
20	1604 4668 80	REMOTE START (For details see page 42)	1				

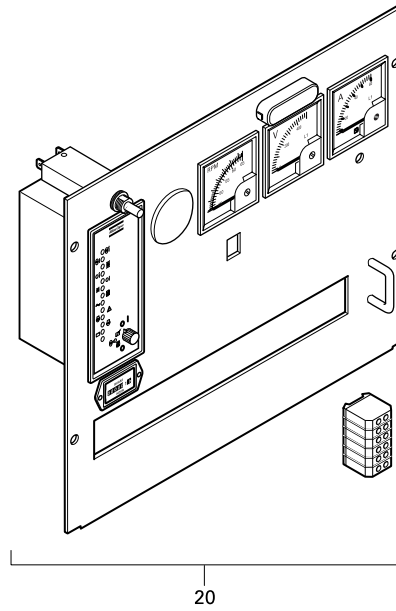
CONTROL PANEL
INSTRUMENTENTAFEL
PANNEAU DE COMMANDE
SCHALTAFEL
PANEL DE MANDO
KONTROLLPANEL

OPTION

QIX40 Dd

440-480 V - 3 Ph - AMF

PANNELLO DI CONTROLLO
KONTROLLPANEL
KONTROLLPANEL
ΠΙΝΑΚΑΣ ΕΛΕΓΧΟΥ
PAINEL DE CONTROLLO
OHJAUSTAULU



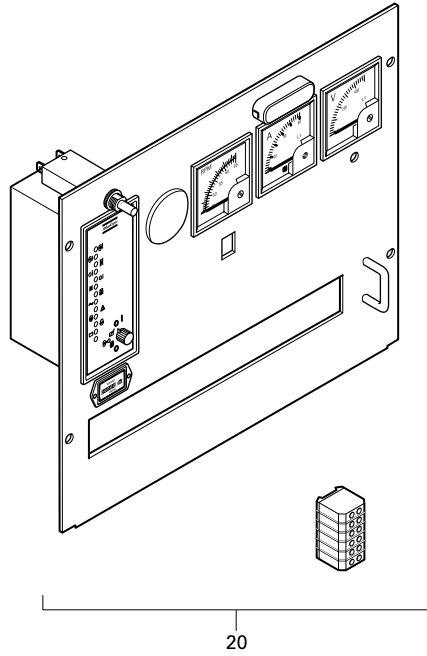
REF	PART NUMBER	DESIGNATION	QTY	REF	PART NUMBER	DESIGNATION	QTY
20	1604 4669 80	AMF (For details see page 43)	1				

CONTROL PANEL
INSTRUMENTENTAFEL
PANNEAU DE COMMANDE
SCHALTAFEL
PANEL DE MANDO
KONTROLLPANEL

OPTION

QIX40 Dd
380 V - 3 Ph - AMF
220-240 V - 1 Ph - AMF

PANNELLO DI CONTROLLO
KONTROLLPANEL
KONTROLLPANEL
ΠΙΝΑΚΑΣ ΕΛΕΓΧΟΥ
PAINEL DE CONTROLLO
OHJAUSTAULU



REF	PART NUMBER	DESIGNATION	QTY	REF	PART NUMBER	DESIGNATION	QTY
20	1604 4670 80	AMF (For details see page 44)	1				

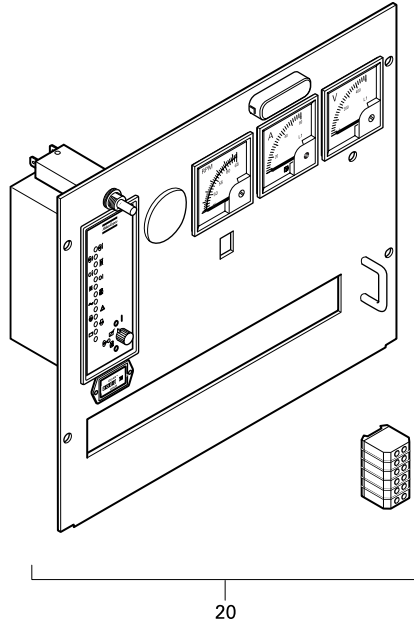
CONTROL PANEL
INSTRUMENTENTAFEL
PANNEAU DE COMMANDE
SCHALTAFEL
PANEL DE MANDO
KONTROLLPANEL

OPTION

QIX40 Dd

220-240 V - 3 Ph - AMF

PANNELLO DI CONTROLLO
KONTROLLPANEL
KONTROLPANEL
ΠΙΝΑΚΑΣ ΕΛΕΓΧΟΥ
PAINEL DE CONTROLLO
OHJAUSTAULU



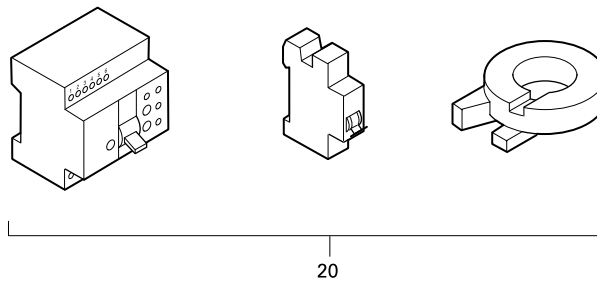
REF	PART NUMBER	DESIGNATION	QTY	REF	PART NUMBER	DESIGNATION	QTY
20	1604 4671 80	AMF (For details see page 45)	1				

EARTH LEAKAGE RELAY
AARDLEKRELAIS
RELAIS DE FUITE A LA TERRE
ERDSCHLUSSRELAIS
RELÉ DE FUGA A TIERRA
JORDSLUTNINGSRELÄ

OPTION

QIX40 Dd

RELÉ DI SCARICO A TERRA
JORDFEILRELÉ
JORDFEJLSTRØMSRELÆ (ER)
ΡΕΛΕ ΔΙΑΠΡΟΗΣ ΓΕΙΩΣΗΣ
RELÉ DE FUGA TERRA
MAAVUOTORELE



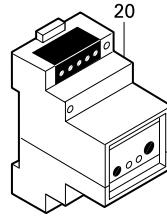
REF	PART NUMBER	DESIGNATION	QTY	REF	PART NUMBER	DESIGNATION	QTY
20	1604 4649 80	EARTH LEAKAGE RELAY (For details see page 35)	1				

INSULATION MONITORING RELAY
ISOLATIEBEWAKINGSRELAIS
RELAIS DE SURVEILLANCE D'ISOLEMENT
ISOLATIONS-ÜBERWACHUNGSRELAIS
RELÉ PARA SUPERVISIÓN DE AISLAMIENTO
RELÄ FÖR ISOLERINGSKONTROLL

OPTION

QIX40 Dd

RELÉ MONITORAGGIO ISOLAMENTO
ISOLASJONSOVERVÅKINGSRELÉ
ISOLERINGSOVERVÅGNINGSRELÆ
PEΛE EΛEΓXOY MONΩΣHΣ
RELÉ DE CONTROLO DO ISOLAMENTO
ERISTYSVASTUKSEN VALVONTARELE



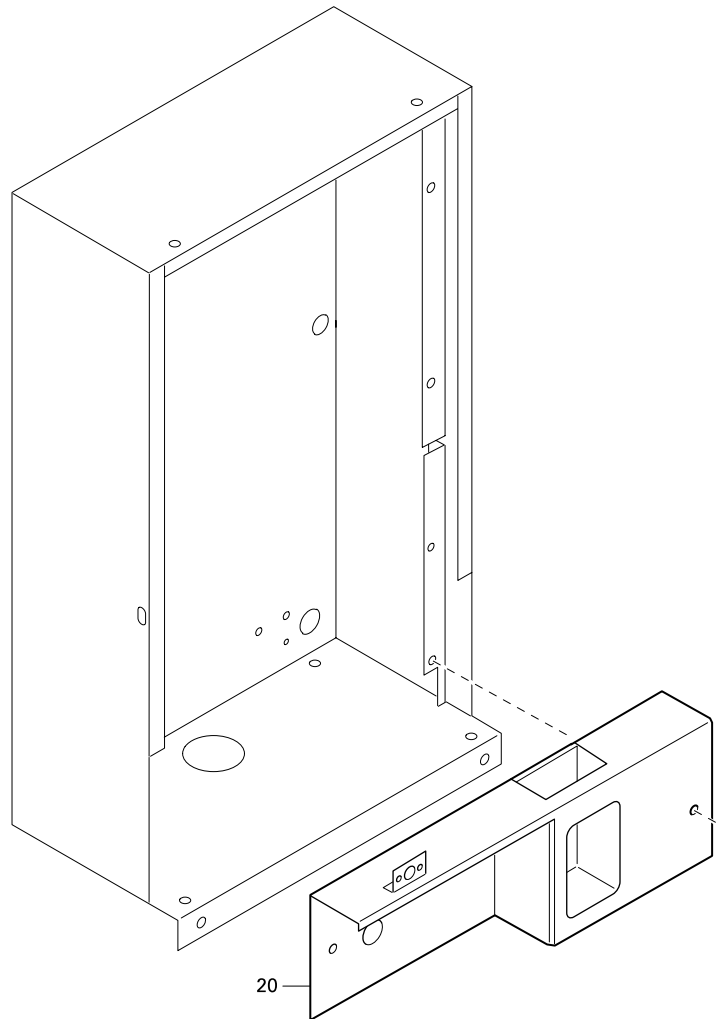
REF	PART NUMBER	DESIGNATION	QTY	REF	PART NUMBER	DESIGNATION	QTY
20	1604 4650 80	IT-RELAY (For details see page 36)	1				

NO SOCKET PANEL
GEEN STEKKERBUSPLAAT
PAS DE FICHER ELECTRIQUE
KEINE ANSCHLUSSPLATTE
SIN PANEL DE ZÓCALOS
INGEN UTTAGSPANEL

OPTION

QIX40 Dd

PANNELLO PRESE ASSENTE
IKKE KONTAKTPANEL
INTET STIKPANEL
ΧΩΡΙΣ ΠΙΝΑΚΑ ΜΕ ΠΡΙΖΕΣ
SEM PAINEL DE TOMADAS
EI LIITINTAULUA



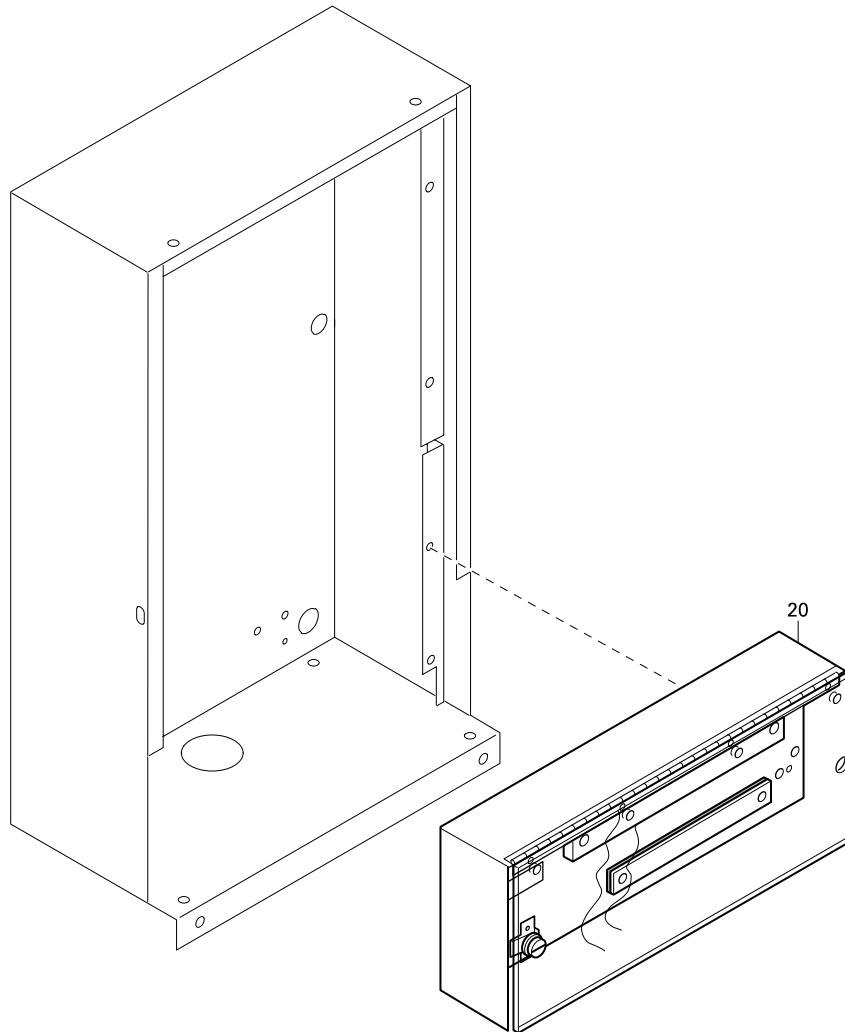
REF	PART NUMBER	DESIGNATION	QTY	REF	PART NUMBER	DESIGNATION	QTY
20	1604 4659 80	NO SOCKET PANEL (For details see page 39)	1				

TERMINAL BOARD
KLEMMENBORD
REGLETTE A BORNES
KLEMMBRETT
TABLERO DE TERMINALES
ANSLUTNINGSPLINT

OPTION

QIX40 Dd

MORSETTIERA
KLEMMPLATE
KLEMRÆT
ΤΕΡΜΑΤΙΚΟΣ ΠΙΝΑΚΑΣ, ΠΙΝΑΚΑΣ ΣΥΝΔΕΣΕΩΝ
QUADRO DE BORNES
LIITINALUSTA



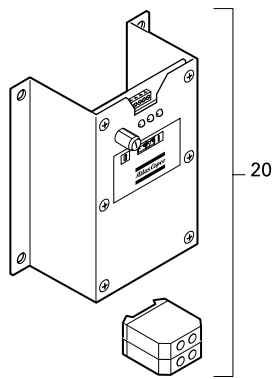
REF	PART NUMBER	DESIGNATION	QTY	REF	PART NUMBER	DESIGNATION	QTY
20	1604 4658 80	TERMINAL BOARD (For details see page 38)	1				

BATTERY CHARGER
BATTERIJLADER
CHARGEUR BATTERIE
BATTERIELADEGERÄT
CARGADOR DE BATERIA
BATTERILADDARE

OPTION

QIX40 Dd

CARICA BATTERIA
BATTERILADER
BATTERIOPLADER
ΦΟΡΤΙΣΤΗΣ ΜΠΑΤΑΡΙΑΣ
CARREGADOR DE BATERIA
AKKULATURI



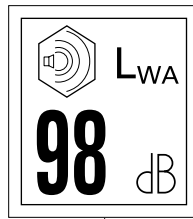
REF	PART NUMBER	DESIGNATION	QTY	REF	PART NUMBER	DESIGNATION	QTY
20	1604 4657 80	BATTERY CHARGER (For details see page 37)	1				

LWA LABEL
LWA LABEL
ETIQUETTE LWA
SCHILD SCHALLLEISTUNGSPEGEL
ETIQUETA LWA
LWA DEKAL

OPTION

QIX40 Dd

ETICHETTA LWA
LWA-ETIKETT
LWA-LABEL
ΕΠΙΓΡΑΦΗ LWA
RÓTULO LWA
LWA-MERKINTÄ



20

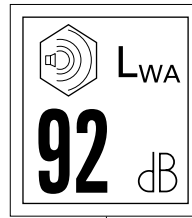
REF	PART NUMBER	DESIGNATION	QTY	REF	PART NUMBER	DESIGNATION	QTY
20	1604 3317 09	LABEL NOISE 98LWA	1				

LWA LABEL
LWA LABEL
ETIQUETTE LWA
SCHILD SCHALLLEISTUNGSPEGEL
ETIQUETA LWA
LWA DEKAL

OPTION

QIX40 Dd

ΕΤΙΧΕΤΤΑ LWA
LWA-ΕΤΙΚΕΤΤ
LWA-LABEL
ΕΠΙΓΡΑΦΗ LWA
RÓTULO LWA
LWA-MERKINTÄ



20

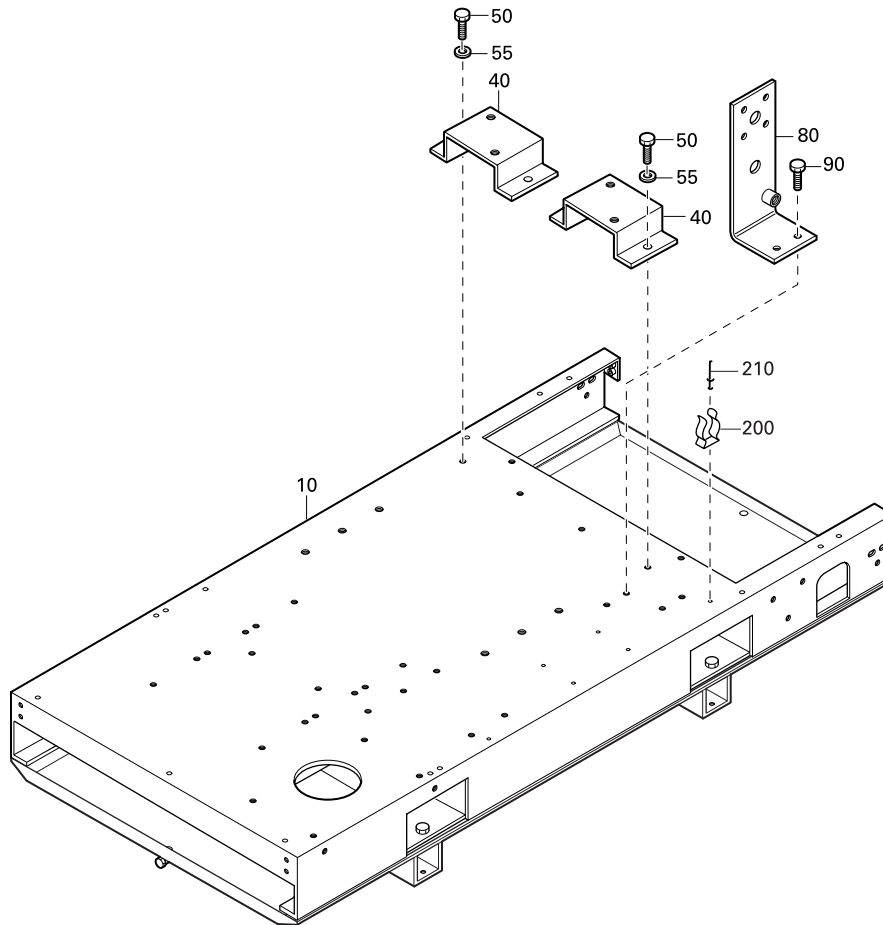
REF	PART NUMBER	DESIGNATION	QTY	REF	PART NUMBER	DESIGNATION	QTY
20	1604 3317 11	LABEL NOISE 92LWA	1				

SPILLAGE FREE
LEKKAGEVRIJ
ANTIDÉBORDEMENT
LECKAGEFREI
EXENTO DE DERRAME
SPILLSÄKER

OPTION

QIX40 Dd

ANTISPARGIMENTO
UTSLIPPSFRI
SPILDFRI
ΧΩΡΙΣ ΔΙΑΠΡΟΕΣ
ANTI-DERRAMENTO
ROISKUMATON



REF	PART NUMBER	DESIGNATION	QTY	REF	PART NUMBER	DESIGNATION	QTY
10	1604 1595 83	FRAME 1 SPF ASS'Y (For details see page 30)	1				
40	1615 9804 00	SUPPORT	2				
50	0147 1323 15	HEX. HEAD SCREW	4				
55	0301 2335 00	PLAIN WASHER	4				
80	1615 9806 01	SUPPORT	1				
90	1619 2766 00	BOLT	2				
200	1079 3461 02	HOSE CLIP	1				
210	0129 3108 00	BLIND RIVET	1				

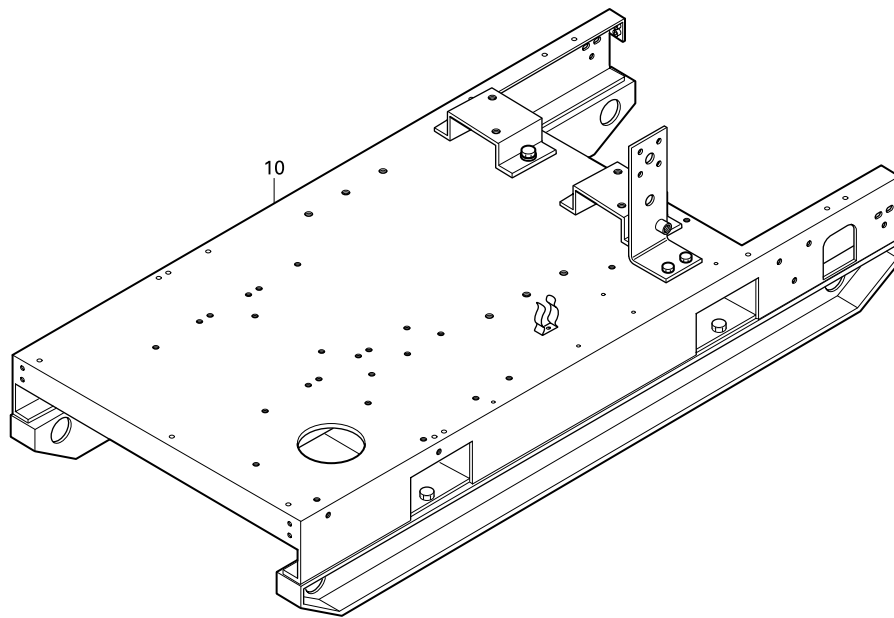
SKID KIT
BALKRAAMSET
KIT CHASSIS-SKID
RÜSTSATZ SCHLITTEN
KIT DE CALZOS
BALKRAM - KIT

OPTION

QIX40 Dd

SPILLAGE FREE

KIT DEL PATTINO
SKLIRAMMESET
BUNDRAMMESÆT
ΚΙΤ ΠΕΔΙΛΟΥ
CONJUNTO DE PATINS
PALKKISARJA



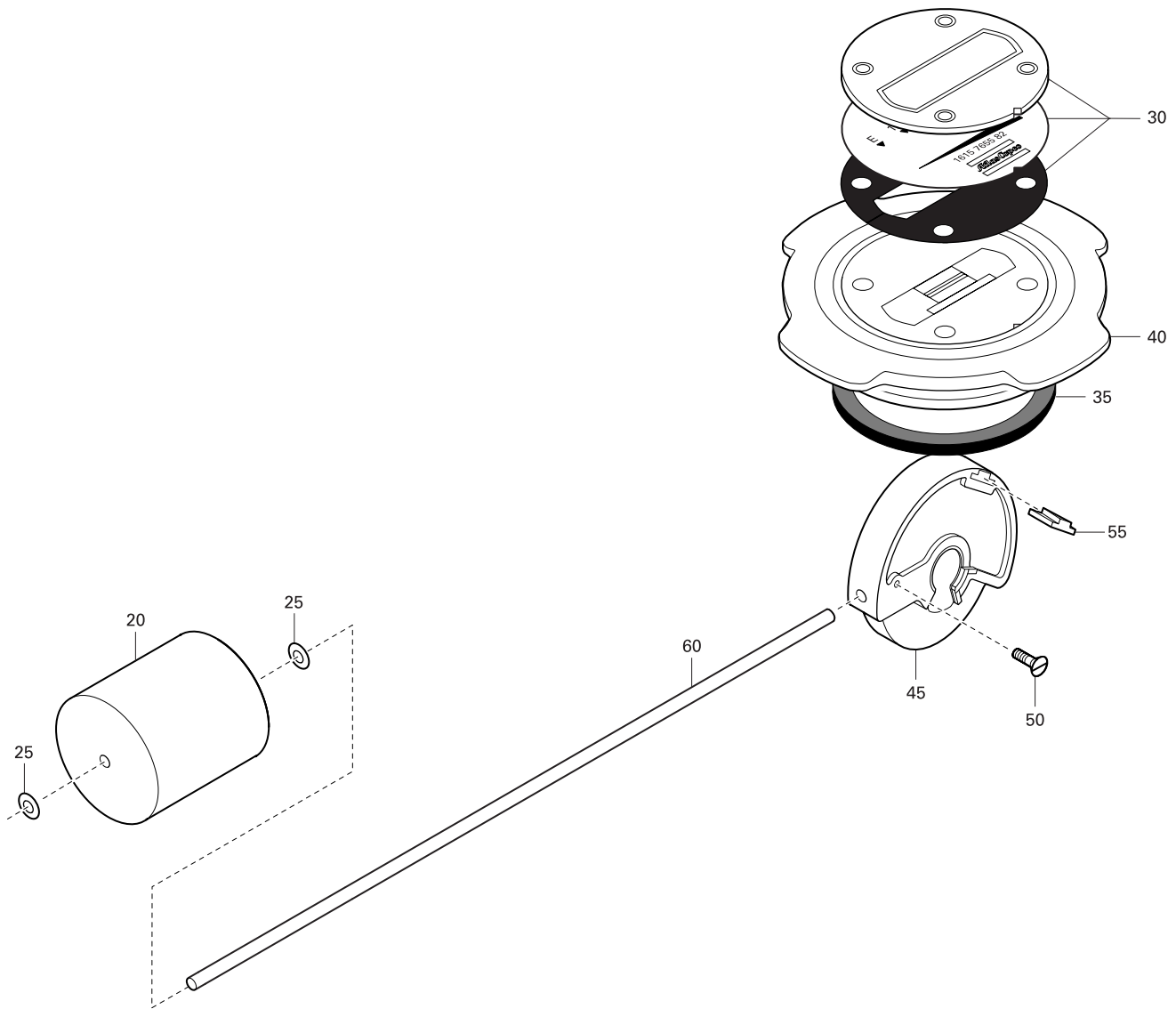
REF	PART NUMBER	DESIGNATION	QTY	REF	PART NUMBER	DESIGNATION	QTY
10	1611 7021 79	SKID & MOUNTS (For details see page 46)	1				

INDICATOR
 VERKLIKKERLAMPJE
 INDICATEUR
 ANZEIGE
 INDICADOR
 INDIKATOR

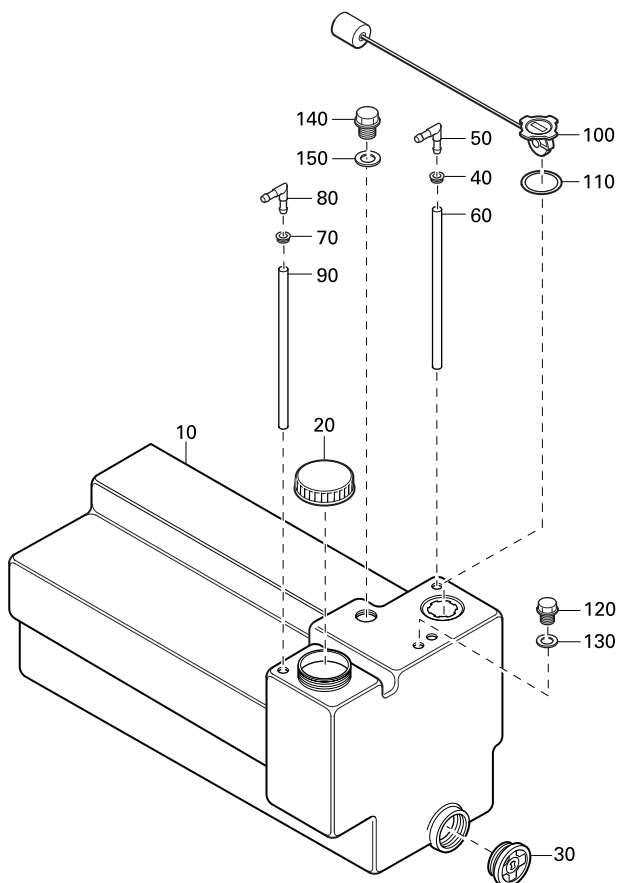
OPTION

QIX40 Dd

INDICATORE
 INDIKATOR
 INDIKATOR
 ENΔΕΙΗ
 INDICADOR
 MERKKIVALO



REF	PART NUMBER	DESIGNATION	QTY	REF	PART NUMBER	DESIGNATION	QTY
-	1615 7655 82	INDICATOR Item of list on page 83					
• 20	1615 5064 00	FLOAT	1				
• 25	1079 3353 02	PUSH-ON CLIP	2				
• 30	1615 8906 00	SIGHT GLASS	1				
• 35	0663 2105 20	O-RING	1				
• 40	1615 5061 00	LEVEL INDICATOR	1				
• 45	1615 5062 00	LEVEL INDICATOR	1				
• 50	0226 3343 52	TAPPING SCREW	1				
• 55	1615 5059 00	INDICATOR	1				
• 60	1615 7655 01	FLOAT ARM	1				



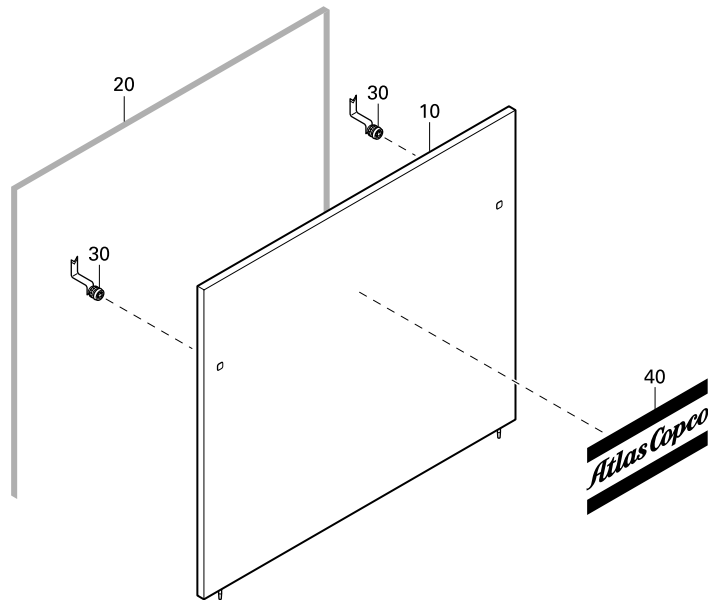
REF	PART NUMBER	DESIGNATION	QTY	REF	PART NUMBER	DESIGNATION	QTY
-	1615 9805 80	FUELTANK ASSY					
		Item of list on page 47					
• 10	1615 9805 00	FUELTANK	1				
• 20	1615 7653 02	CAP	1				
• 30	1615 5577 00	PLUG	1				
• 40	1615 6652 00	GROMMET	1				
• 50	1615 6651 00	ADAPTOR	1				
• 60	0070 6002 15	PLASTIC TUBE	AR				
• 70	1615 8516 01	GROMMET	1				
• 80	1615 8515 01	HOSE NIPPLE	1				
• 90	0070 6002 04	PLASTIC TUBE	AR				
• 100	1615 7655 82	INDICATOR	1				
		(For details see page 82)					
• 110	1615 5065 00	SEAL	1				
• 120	0686 3716 02	HEXAGON PLUG	2				
• 130	0661 1033 00	SEALING WASHER	2				
• 140	0686 3716 07	HEXAGON PLUG	1				
• 150	0661 1049 00	SEALING WASHER	1				

DOOR ASSY
 DEURASSEMBLAGE
 ENSEMBLE PORTE
 TÜR, KOMPL.
 SISTEMA DE LA PUERTA
 DÖRR, MONT.

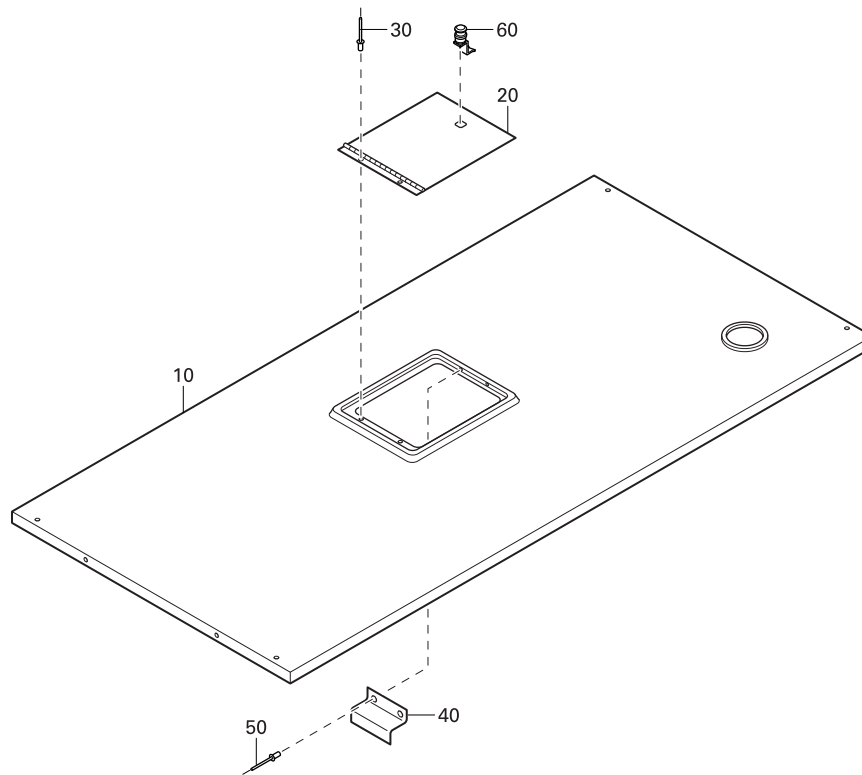
OPTION

QIX40 Dd

GRUPPO PORTA
 DØRSETT
 DØRSÆT
 ΠΟΡΤΑ ΠΛΗΡΗΣ
 PORTA ASSY
 LUUKKUSARJA



REF	PART NUMBER	DESIGNATION	QTY	REF	PART NUMBER	DESIGNATION	QTY
-	1615 9817 82	DOOR ASSY Item of list on page 59					
•	10	1615 9817 00 DOOR	1				
•	20	1202 6584 00 SEAL	AR				
•	30	1619 6989 00 DOORLOCK	2				
•	40	0690 1140 00 HOUSE MARK	1				



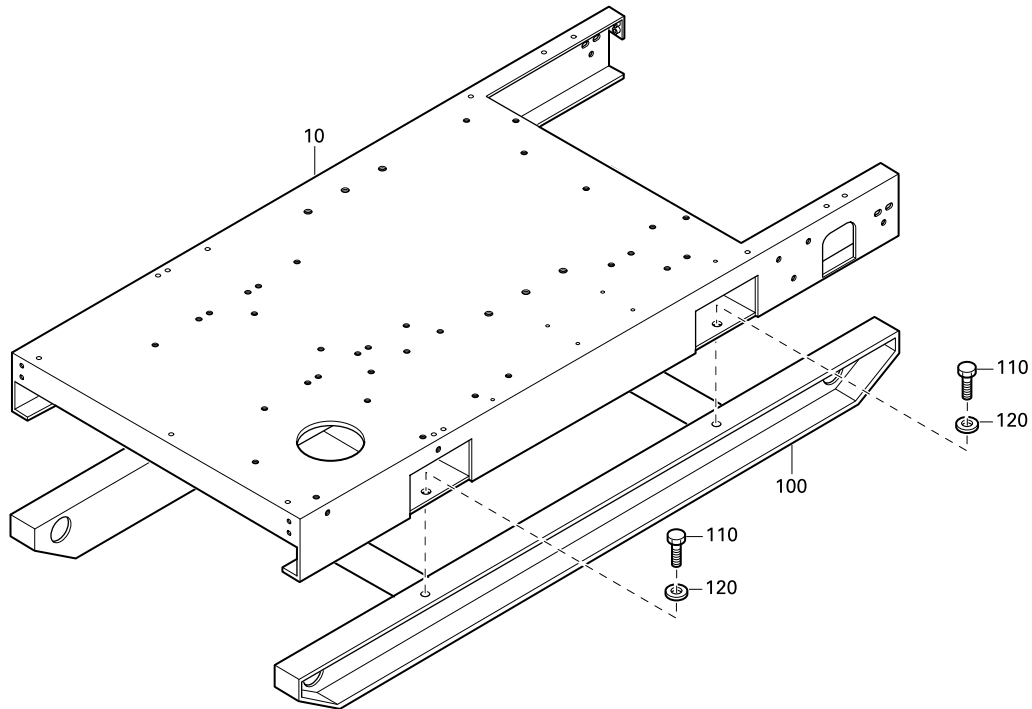
REF	PART NUMBER	DESIGNATION	QTY	REF	PART NUMBER	DESIGNATION	QTY
-	1615 9819 83	PANEL ASSY Item of list on page 59					
• 10	1615 9819 03	ROOF	1				
• 20	1615 9881 00	COVER	1				
• 30	0129 3172 01	BLIND RIVET	2				
• 40	1615 9882 01	BRACKET	1				
• 50	0129 3172 01	BLIND RIVET	2				
• 60	1619 6989 00	DOORLOCK	1				

SKID ASSY
 ASSEMBLAGE BALKRAAM
 ENSEMBLE SABOT
 SCHLITTEN KOMPL.
 SISTEMA DE CALZOS
 BALKRAMSAGGREGAT

OPTION

QIX40 Dd

GRUPPO SCUDO
 SKLIRAMMESETT
 MEDESAMLING
 ΣΥΓΚΡΟΤΗΜΑ ΠΕΔΙΛΟΥ
 PATIM ASSY
 JARRULAITESARJA



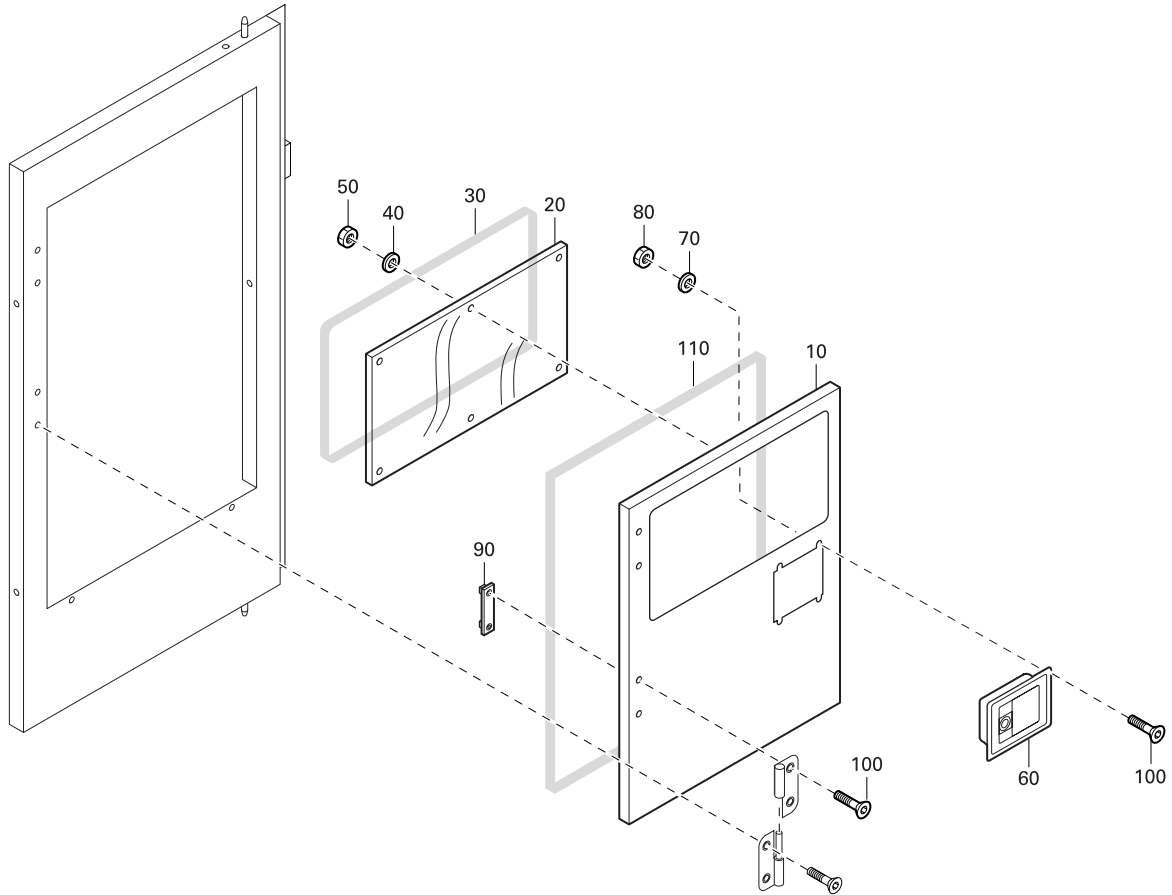
REF	PART NUMBER	DESIGNATION	QTY	REF	PART NUMBER	DESIGNATION	QTY
-	1615 9821 85	SKID ASSY Item of list on page 46					
• 10	1615 9800 07	FRAME	1				
• 100	1615 9821 00	SKID	1				
• 110	0147 1476 03	HEX. HEAD SCREW	4				
• 120	0333 3244 00	SPRING WASHER	4				

DOOR ASSY
 DEURASSEMBLAGE
 ENSEMBLE PORTE
 TÜR, KOMPL.
 SISTEMA DE LA PUERTA
 DÖRR, MONT.

OPTION

QIX40 Dd

GRUPPO PORTA
 DØRSETT
 DØRSÆT
 ΠΟΡΤΑ ΠΛΗΡΗΣ
 PORTA ASSY
 LUUKKUSARJA



REF	PART NUMBER	DESIGNATION	QTY	REF	PART NUMBER	DESIGNATION	QTY
-	1615 9848 80	DOOR ASSY					
		Item of list on page 59					
•	10	1615 9848 00	DOOR				1
•	20	1615 6970 00	WINDOW				1
•	30	1615 7057 00	SEAL				AR
•	40	0301 2321 00	PLAIN WASHER				6
•	50	0266 2108 00	HEXAGON NUT				6
•	60	1615 6967 03	HANDLE				1
•	70	0301 2321 00	PLAIN WASHER				4
•	80	0266 2108 00	HEXAGON NUT				4
•	90	1615 5684 00	BRACKET				2
•	100	0216 1324 03	HEX SOCK. SCREW				4
•	110	1202 6584 00	SEAL				AR

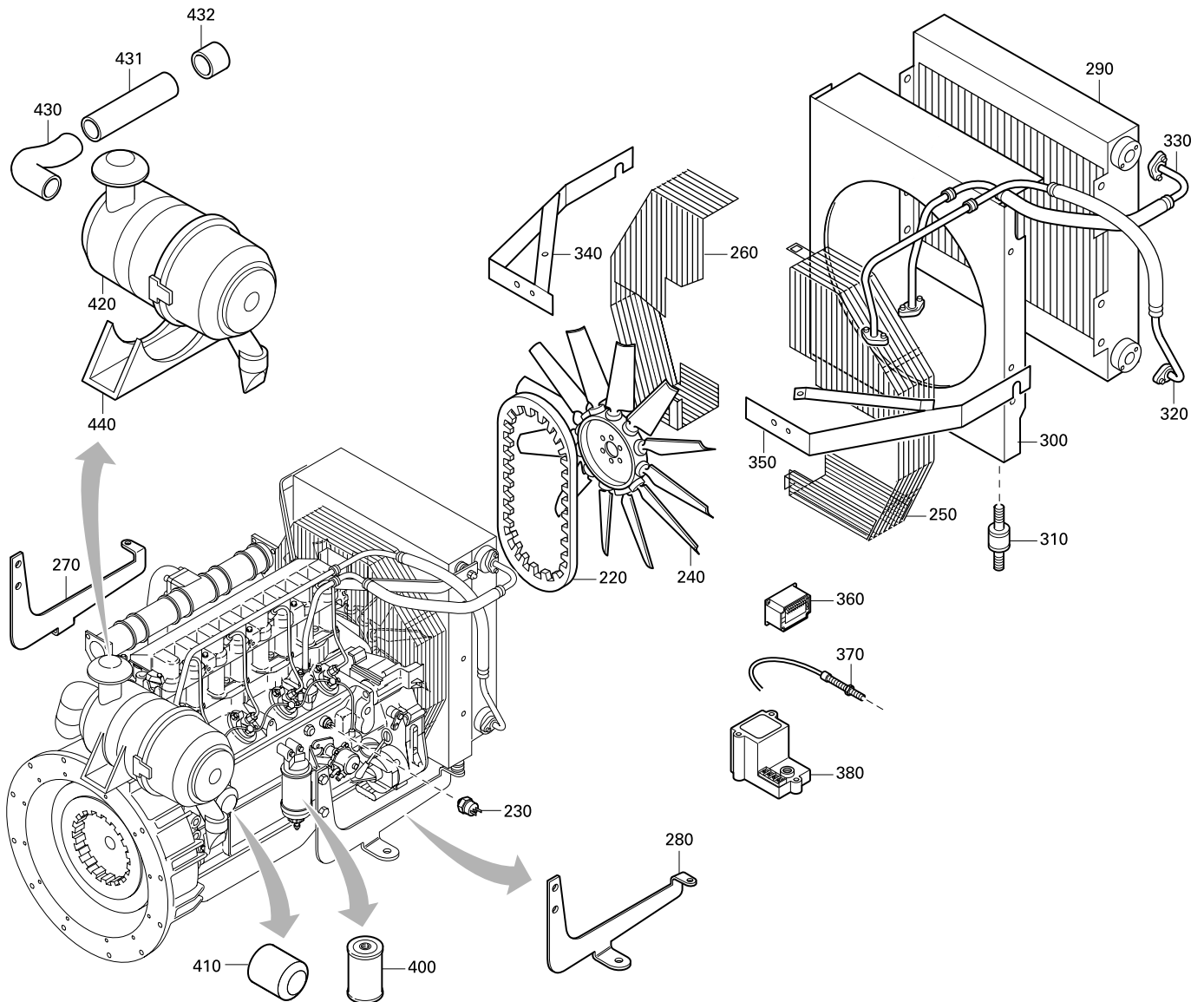
ENGINE
MOTOR
MOTEUR
MOTOR
MOTOR
MOTOR

OPTION

QIX40 Dd

ESR

MOTORE
MOTOR
MOTOR
ΚΙΝΗΤΗΡΑΣ
MOTOR
MOOTTORI



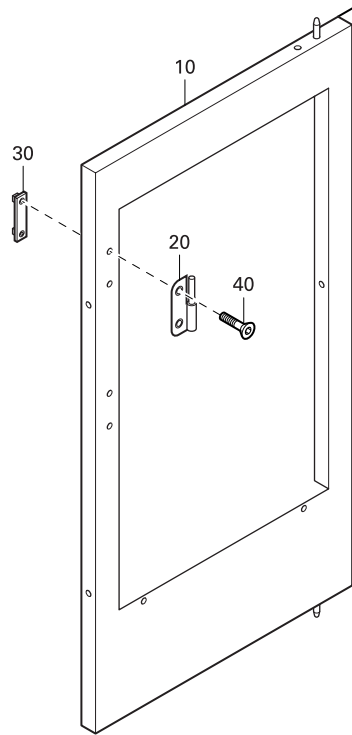
REF	PART NUMBER	DESIGNATION	QTY	REF	PART NUMBER	DESIGNATION	QTY
-	1615 9810 80	ENGINE		• 432	1604 1130 00	CONNECTION	1
		Item of list on page 51		• 440	1604 1128 00	AIR FILTER SUPPORT	1
• 220	1604 1101 00	V-BELT	1				
• 230	1604 1102 00	PRESSURE SWITCH	1				
• 240	1604 1103 00	FAN	1				
• 250	1604 1104 00	FANGUARD	1				
• 260	1604 1105 00	FANGUARD	1				
• 270	1604 1106 00	MOUNTING SUPPORT	1				
• 280	1604 1107 00	MOUNTING SUPPORT	1				
• 290	1604 1109 00	OILCOOLER	1				
• 300	1604 1111 00	FAN COWL	1				
• 310	1604 1113 00	BUFFER	1				
• 320	1604 1115 00	OIL LINE	1				
• 330	1604 1116 00	OIL LINE	1				
• 340	1604 1117 00	SUPPORT	1				
• 350	1604 1118 00	SUPPORT	1				
• 360	1604 1119 00	SPEED CONTROLLER	1				
• 370	1604 1120 00	SPEED PICK-UP	1				
• 380	1604 1121 00	ACTUATOR	1				
• 400	2900 0687 00	FILTER ELEMENT	1				
• 410	2914 8058 00	OIL FILTER ELEMENT	1				
• 420	1604 1123 00	AIR FILTER	1				
• 430	1604 1126 00	CONNECTION	1				
• 431	1604 1129 00	PIPE	1				

PANEL ASSY
BORDASSEMBLAGE
ENSEMBLE PANNEAU
PANEEL, KOMPL.
SISTEMA DEL PANEL
PANEL, MONT.

OPTION

QIX40 Dd

GRUPPO PANNELLO
PANELSETT
PANELSÆT
ΠΑΝΕΛΟ ΠΛΗΡΕΣ
PAINEL ASSY
LEVYSARJA



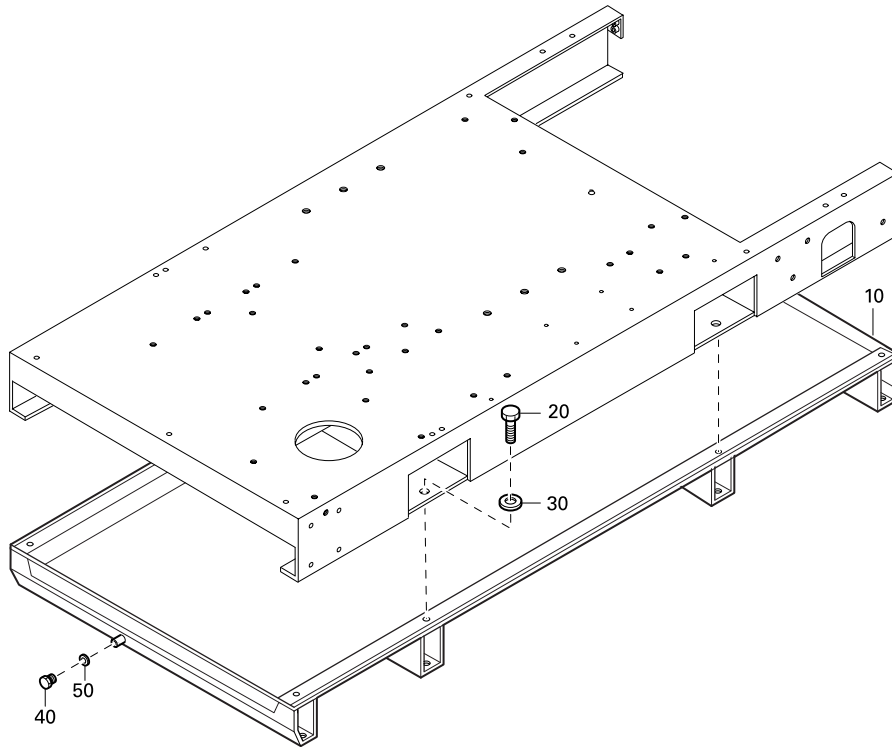
REF	PART NUMBER	DESIGNATION	QTY	REF	PART NUMBER	DESIGNATION	QTY
-	1615 9868 82	PANEL ASSY Item of list on page 59					
• 10	1615 9868 02	PANEL	1				
• 20	1615 5686 01	HINGE (RH)	2				
• 30	1615 5684 00	BRACKET	2				
• 40	0216 1324 03	HEX SOCK. SCREW	4				

SKID SPILLAGE FREE KIT
 SET LEKVRIJ BALKRAAM
 KIT DE SABOT ANTIDEBORDEMENT
 NACHRÜSTSATZ LECKAGEFREIER SCHLITTEN
 KIT DE PROTECCIÓN CONTRA SALPICADURAS
 SPILLFRITT UNDERLAG

OPTION

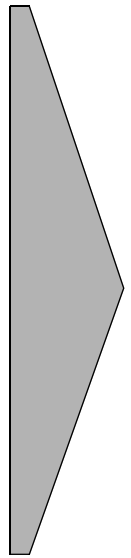
QIX40 Dd

KIT PATTINO SENZA TRABOCCAMENTO
 SKLIRAMMESETT, SPILLFRI
 SÆT MED SPILDFRI BUNDPLADE
 KIT ANTIKXEIΛIΣΤΙΚΗΣ ΠΟΔΙΑΣ
 KIT DE RESVALAMENTO SEM FUGAS
 VUOTAMATON PALKKIRUNKO



REF	PART NUMBER	DESIGNATION	QTY	REF	PART NUMBER	DESIGNATION	QTY
-	1615 9990 80	SPILLAGE FREE KIT Item of list on page 30					
• 10	1615 9990 00	BOTTOM	1				
• 20	0147 1476 03	HEX. HEAD SCREW	4				
• 30	0333 3244 00	SPRING WASHER	4				
• 40	0686 3716 02	HEXAGON PLUG	2				
• 50	0653 1124 00	FLAT GASKET	2				

Glossary
Woordenlijst
Glossaire
Glossar
Glosario
Ordlista
Glossario
Ordliste
Ordliste
Γλωσσάριο
Glossário
Sanasto



ENGLISH	NEDERLANDS	FRANCAIS	DEUTSCH	ESPAÑOL	SVENSKA	ITALIANO
A						
ABSORBER	ABSORBER	AMORTISSEUR	DÄMPFER	AMORTIGUADOR	DÄMPARE	AMMORTIZZATORE
ABUTMENT BLOCK	BEZEGENINGSBLOK	BLOC DE BUTEE	STOSSBLOCK	BLOQUE DE TOPE	STÖTBLOCK	BLOCCO DI APOGGIO
AC AMMETER	WISSELSTROOMAMPÈREMETER	AMPEREMETRE CA	AC-AMPEREMETER	AMPERÍMETRO CA	AMPEREMETER VÄXELSTRÖM	AMPEROMETRO CA
AC TERMINAL	WISSELSTROOMKLEM	BORNE CA	AC-ANSCHLUSS	TERMINAL CA	KOPPLING VÄXELSTRÖM	TERMINALE CA
AC VOLTMETER	WISSELSTROOMVOLTMEETER	VOLTMETRE CA	AC-SPANNUNGSMESSEUR	VOLTIMETRO CA	SPÄNNINGSMÄTARE VÄXELSTRÖM	VOLTMETRO CA
ACTIVATED ALUMINIUM	GEACTIVEERD ALUMINIUM	ALUMINIUM ACTIVE	ALUMINIUM ACTIV.	ALUMINA ACTIVADA	AKTIVERAT ALUM.	ALLUMINIO ATTIVATO
ACTUATING CYLINDER	BEWEGINGSCILINDER	VERIN D'ACTIVATION	BETÄTIGUNGSCYLINDER	CILINDRO ACCIONADOR	MANÖVERCYLINDER	CILINDRO DI AZIONAMENTO
ACTUATING UNIT	BEWEGINGSEENHEID	UNITE D'ACTIVATION	BETÄTIGUNGSEINHEIT	UNIDAD ACCIONADORA	MANÖVERENHET	UNITA' DI AZIONAMENTO
ACTUATOR	BEWEGINGSEENHEID	ACTIVATEUR	STELLGLIED	ACCIONADOR	MANÖVERORGAN	DISPOSITIVO DI AZIONAMENTO
ADAPTER	VERBINDINGSSTUK	ADAPTATEUR	ZWISCHENSTÜCK	ADAPTADOR	ADAPTER	ADATTATORE
ADAPTER FLANGE	VERBINDINGSFLENS	BRIDE D'ADAPTATION	BRIDE D'ADAPTATION	VERB. FLANSCH	ANPASSINGSFLÄNS	FLANGIA DELL'ADATTATORE
ADJUSTING BOLT	STELBOUT	BOULON DE REGLAGE	STELLBOLZEN	PERNO DE AJUSTE	JUSTERSKRUV	BULLONE DI REGOLAZIONE
ADJUSTING FORK	STELVORK	FOURCHE DE REGLAGE	STELLGABEL	HORQUILLA DE AJUSTE	JUSTERGAFFEL	FORCELLA DI REGOLAZIONE
ADJUSTING NUT	STELMOER	ECROU DE REGLAGE	STELLMÜTTER	TUERCA DE AJUSTE	JUSTERMUTTER	DADO DI REGOLAZIONE
ADJUSTING SCREW	STELSCHROEF	VIS DE REGLAGE	STELLSCHRAUBE	TORNILLO DE AJUSTE	JUSTERSKRUV	VITE DI REGOLAZIONE
AFTERCOOLER	NAKOELEER	REFROIDISSEUR FINAL	NACHKÜHLER	REFRIGERADOR FINAL	EFTERKYLARE	REFRIGERATORE FINALE
AIR BLOWER	LUCHTBLAZER	SOUFFLANT D'AIR	LUFTGEBLÄSE	VENTILADOR	UTBLÄSNINGSFLÄKT	SOFFIANTE
AIR BOX	LUCHTTANK	RESERVOIR D'AIR	LUFTBEHÄLTNER	COLECTOR DE BARRIDO	LUFTBEHÄLLARE	SCATOLA DELL'ARIA
AIR CAP	LUCHTKAP	COUVERCLE D'AIR	LUFTABDECKUNG	VÁLVULA DE AIRE	LUFTMUNSTYCKE	TAPPO DELL'ARIA
AIR CLEANER	LUCHTREINIGER	EPURATEUR D'AIR	LUFTREINIGER	DEPURADOR DE AIRE	LUFTRENARE	FILTRO PER L'ARIA
AIR CONDUIT	LUCHTLEIDING	CONDUITE D'AIR	LUFTLEITUNG	CONDUCTO DE AIRE	LUFTLEDNING	CONDOTTO DELL'ARIA
AIR COOLER	LUCHTKOELEER	REFROIDISSEUR A AIR	LUFTKÜHLER	REFRIGERADOR DE AIRE	LUFTKYLARE	REFRIGERATORE DELL'ARIA
AIR DUCT	LUCHTKOKER	CONDUITE D'AIR	LUFTKANAL	CONDUCTO DE AIRE	LUFTKANAL	CONDOTTO DELL'ARIA
AIR FILTER	LUCHTFILTER	FILTRE A AIR	FILTRE A AIR	FILTRO DE AIRE	LUFTFILTER	FILTRO PER L'ARIA
AIR FILTER ELEMENT	LUCHTFILTERELEMENT	ELEMENT DE FILTRE A AIR	LUFTFILTERELEMENT	ELEM. DEL FILTRO DE AIRE	LUFTFILTERELEMENT	ELEMENTO DEL FILTRO DELL'ARIA
AIR HOSE	LUCHTSLANG	FLEXIBLE D'AIR	LUFTSCHLAUCH	MANGUERA DE AIRE	LUFTSLANG	MANICA D'ARIA
AIR INLET	LUCHTINLAAT	ENTREE D'AIR	LUFTINLAASS	ENTRADA DE AIRE	LUFTINTANG	PRESA D'ARIA
AIR INLET BOX	LUCHTINLAATKAST	BOITE D'ENTREE D'AIR	LUFTINLAASSBEHÄLTNER	CAJA DE ENTRADA DE AIRE	LUFTINLOPPSSKÅP	SCATOLA DELLA PRESA D'ARIA
AIR INLET VALVE	LUCHTINLAATKLEP	VALVE D'ENTREE D'AIR	LUFTINLAASSVENTIL	VÁLV. ENTRADA AIRE	LUFTINLOPPSSVENTIL	VALVOLA DI PRESA D'ARIA
AIR INTAKE PIPE	LUCHTINLAATLEIDING	TUYAU DE PRISE D'AIR	LUFTINLAASSROHR	TUBERÍA DE TOMA DE AIRE	LUFTINLOPPSRÖR	TUBO DELLA PRESA D'ARIA
AIR PIPE	LUCHTLEIDING	TUYAU D'AIR	LUFTLEITUNGSRÖHR	TUBO DE AIRE	LUFTRÖR	TUBO DELL'ARIA
AIR RECEIVER	LUCHTKETTEL	RESERVOIR D'AIR	LUFTBEHÄLTNER	DEPÓSITO DE AIRE	LUFTBEHÄLLARE	SERBATOIO D'ARIA
AIR STARTER	PNEUMATISCHE STARTER	DEMARREUR PNEUMATIQUE	DRUCKLUFT-ANLASSER	ARRANCADOR NEUM.	LUFTSTARTARE	AVVIATORE PNEUMATICO
AIR VALVE	LUCHTKLEP	VANNE D'AIR, CLAPET A AIR	LUFTVENTIL	VÁLVULA DE AIRE	LUFTVENTIL	VALVOLA DELL'ARIA
ALARM UNIT	ALARMTOESTEL	DISPOSITIF D'ALARME	ALARMAPPARAT	DISP. DE ALARMA	ALARMHET	DISPOSITIVO DI ALLARME
ALTERNATOR	ALTERNATOR	ALTERNATEUR	WECHSELSTROMGENERATOR	ALTERNADOR	VÄXELSTRÖMGEN.	ALTERNATORE
ALTERNATOR CABLE	ALTERNATORKABEL	CABLE D'ALTERNATEUR	WECHSELSTROMGENERATORKABEL	CABLE DEL ALTERNADOR	OMFORMARKABEL	CAVO ALTERNATORE
AMMETER	AMPÈREMETER	AMPÈREMÈTRE	AMPÈREMETER	AMPERÍMETRO	AMPEREMETER	AMPEROMETRO
AMMETER SWITCH	AMPÈREMETERSCHAKELAAR	INTERRUPTEUR AMPÈREMÈTRE	AMPÈREMETERSCHALTER	INTERRUPRIDELAMPÈRÍMETRO	BRYTARE AMPEREMETER	INTERRUTTORE DELL'AMPÈREMETRO
AMPLIFIER	VERSTERKER	AMPLIFICATEUR	VERSTÄRKER	AMPLIFICADOR	AMPLIFIKATOR	AMPLIFICATORE
ANCHOR PAD	ANKERPLAAT	PLAQUE D'ANCRAGE	ANKERPLATTE	PLACA DE SUJECCIÓN	ANKARPLÅT	TAMPONE DI ANCORAGGIO
ANCHOR PLATE	ANKERPLAAT	PLAQUE D'ANCRAGE	ANKERPLATTE	PLACA DE ANCLAJE	ANKARPLÅT	PIASTRA DI ANCORAGGIO
ANGLE	HOEK	ANGLE	WINKEL	ÁNGULO	VINKEL	ANGOLO
ANTIFROST	ANTIVRIES	ANTIGEL	FROSTSCHUTZMITTEL	CONTRA HELADAS	FROSTSKYDD	ANTIGELO
ANTIVIBRATION PAD	TRILLINGSDEMPER	AMORTISSEUR ANTIVIBR.	VIBRATIONSDÄMPFER	AMORT. DE VIBR.	VIBRATIONSDÄMPARE	TAMPONE ANTIVIBRANTE
APPLIANCE INLET	INLAAT TOESTEL	ENTREE APPAREIL	GERÄTEANSCHLUSS	ENTRADA DEL APARATO	APPARATINLOPP	ENTRATA DELL'APPARECCHIO
ARM	ARM	BRAS	ARM	BRAZO	ARM	BRACCIO
ARMATURE	ANKER	INDUIT	ROTOR	CIRCUITO INDUCIDO	ANKARE	INDOTTO
ARMATURE COIL	ANKERSPOEL	BOBINE DE L'INDUIT	ANKERSPULE	BOB. DEL INDUCIDO	ANKARSPOLE	BOBINA DELL'INDOTTO
ARMATURE CORE	ANKERKERN	NOYAU DE L'INDUIT	ANKERKERN	NÚCLEO DEL INDUCIDO	ANKARKÄRNA	NUCLEO DELL'INDOTTO
ARRESTOR/SILENCOR	DOVER/GELUIDDEMPER	SILENCIEUX	FANGVORRICHTUNG/SCHALLDÄMPER	SUPRESOR/SILENCIADOR	SPÄRR/DÄMPARE	SCARICATORE / SILENZIATORE
ASSEMBLY KIT	MONTAGEKIT	KIT DE MONTAGE	MONTAGESATZ	EQUIPO DE MONTAJE	MONTERINGSÅTS	KIT PER IL MONTAGGIO
ASSEMBLY SET	MONTAGESET	JEU DE MONTAGE	MONTAGESATZ	JUEGO DE MONTAJE	MONTERINGSÅTS	SET PER IL MONTAGGIO
ASSEMBLY STRIP	BINDSTRIP	COLLIER, RACCORD	BINDSTREIFEN	TIRA DE ATAR	HOPSÄTTNINGSBAND	NASTRO PER IL MONTAGGIO
ASSEMBLY TOOL	MONTAGEGEREEDSCHAP	OUTIL DE MONTAGE	MONTAGEWERKZEUG	HERRAMIENTA DE MONTAJE	MONTERINGSVERKTYG	UTENSILE PER IL MONTAGGIO
AUTO OILER HOSE	SLANG AUTOM. OLJETOESTEL	FLEXIBLE HUILAGE AUTO	SCHLAUCH DES AUTO. ÖLERS	TUBO DELUBRICACIÓN PROPRIA	AUTO OLJESLANG	TUBO FLES. DELL'OLIAUTOM.
AUTOMATIC	AUTOMATISCH	AUTOMATIQUE	AUTOMATISCH	AUTOMÁTICO	AUTOMATISK	AUTOMATICO
AUTOMATIC FUSE	ZELFUITSCSHAKELAAR	COUPE-CIRCUIT AUTOMAT.	SICHERUNGSAUTOMAT	FUSIBLE AUTOMÁTICO	AUTOMATSÄKRING	FUSIBILE AUTOMATICO
AUXILIARY CONTACT	HULPCONTACT	CONTACT AUXILIAIRE	HILFSKONTAKT	CONTACTO AUXILIAR	HJÄLPKONTAKT	CONTATTO AUSILIARIO
AUXILIARY RELAY	HULPRELAIS	RELAIS AUXILIAIRE	ZUSÄTZLICHES RELAIS	RELÉ AUXILIAR	HJÄLPRELÄ	RELE' AUSILIARIO
AXLE	AS	ESSIEU	ACHSE	EJE	AXEL	ASSALE
AXLE BEAM	ASBALK	BARRE D'ESSIEU	ACHSTRÄGER	HAZ DEL EJE	AXELBALK	TRAVE DELL'ASSALE
AXLE HOUSING	ASHUIS	CAGE D'ESSIEU	ACHSGEHÄUSE	CAJA DE EJE	AXELHUS	ALLOGGIAMENTO ASSALE
AXLE WITH BRAKES	AS MET REMMEN	ESSIEU AVEC FREINS	ACHSE MIT BREMSSEN	EJE CON ABRAZADERAS	AXEL MED BROMSAR	ASSALE CON FRENI
AXLE, FRONT	VOORAS	ESSIEU AVANT	VORDERACHSE	EJE DELANTERO	FRAMAXEL	ASSALE, ANTERIORE
AXLE, REAR	ACHTERAS	ESSIEU ARRIÈRE	HINTERACHSE	EJE TRASERO	BAKAXEL	ASSALE, POSTERIORE

B						
BACK NUT	DRAAGMOER	ECROU ARRIERE	HINTERE MUTTER	TUERCA POSTERIOR	BAKMUTTER	DADO POSTERIORE
BACK PLATE	STEUPLAAT	PLAQUE ARRIERE	HINTERE PLATTE	PLACA BASE	BAKPLÅT	PIASTRA POSTERIORE
BACK-UP RING	STEUNRING	ANNEAU D'APPUI	STÜTZRING	ANILLO DE RESPALDO	BÄRRING	ANELLO DI SCORTA
BACKING STRIP	STEUSTRIP	BANDE DE SUPPORT	UNTERLEGSTREIFEN	TIRA DE RESPALDO	BÄRREMSA	DIAPHRAGMA
BAFFLE	KEERPLAAT	DEFLECTEUR	ABLENKPLATTE	DEFLECTOR	SKÄRMLÅT	DEFLETTORE
BAFFLE FRAME	SCHERMPLAAT	CHÂSSIS, ECRAN	SCHALLWAND	MARCO DEL DEFLECTOR	SKÄRMLÅT, RAM	SCHERMO
BALANCING PISTON	BALANSZUIGER	PISTON D'EQUILIBRAGE	AUSGLEICHKOLBEN	EMBOLO EQUILIBR.	BALANSKOLV	PISTONE DI BILANCIAMENTO
BALL	KOGEL	BILLE	KUGEL	BOLA	KULA	SFERA
BALL BEARING	KOGELLAGER	ROULEMENT A BILLES	KUGELLAGER	COINETE DE BOLAS	KULLAGER	CUSCINETTO A SFERE
BALL CAGE	KOGELKOOI	CAGE A BILLES	KUGELKÄFIG	CAJA DE BOLAS	KULHÄLLARE	GABBIA PER SFERE
BALL COUPLING	KOGELKOPPELING	ACCOUPEMENT SPHERIQUE	KUGELKUPPLUNG	ACOPL. DE BOLA	KULKOPPLING	ACCOPPIAMENTO SFERICO
BALL HANDGRIP	BOLGRIEP	POIGNEE A BILLE	KUGELGRIFF	MORDAZA MANUAL DE BOLA	KULHANDTAG	IMPUGNATURA A SFERA
BALL JOINT	KOGELGEWICHT	ROTULE SPHERIQUE	KUGELGELENK	JUNTA DE BOLA	KULLED	GIUNTO SFERICO
BALL KNOB	KOGELKNOP	PIVOT SPHERIQUE	KUGELKNOPF	BOTÓN DE BOLA	KULKNOPP	MANOPOLA
BALL VALVE	KOGELKLEP	VANNE SPHERIQUE	KUGELVENTIL	VÁLVULA DE BOLA	KULVENTIL	VALVOLA A SFERA
BANJO	BANJOVERBINDING	RACCORD BANJO	BANJOVERBINDUNG	UNIÓN BANJO	BANJOANSLUTNING	RACCORD ORIENTABILE
BARRIER	BEGRENZING	BARRIERE	SCHRANKE	BARRERA	SPÄRR	BARRIERA
BASE FRAME	GRONDRAMA	CHÂSSIS DE BASE	GRUNDRAHMEN	BASTIDOR DE BASE	BASRAM	TELAIO DI BASE
BASE PLATE	GRONDPLAAT	PLAQUE DE BASE	GRUNDPLATTE	PLACA DE BASE	BOTTENPLATTA	PIASTRA DI BASE
BATTERY	BATTERIJ	BATTERIE	BATTERIE	BATERÍA	BATTERIA	BATTERIA
BATTERY BOLT	BATTERIJBOUW	BOULON DE BATTERIE	BATTERIESCHRAUBE	PERNO DE LA BATERÍA	BATTERIBULT	VITE DI FISSAGGIO DELLA BATT.
BATTERY CABLE	BATTERIJKABEL	CÂBLE DE BATTERIE	BATTERIEKABEL	CABLE DE BATERÍA	BATTERIKABEL	CAVO BATTERIA
BATTERY CHARGER	BATTERIJ-OPLAADAPPARAAT	CHARGEUR DE BATTERIE	BATTERIELEADERGÄRÄT	CARGADOR DE LA BATERÍA	BATTERILADDARE	CARICABATTERIA
BATTERY CLAMP	BATTERIJKLEM	ATTACHE DE BATTERIE	BATTERIEKLEMMEN	PINZA DE LA BATERÍA	BATTERIKLÄMMA	MORSETTO DELLA BATTERIA
BATTERY COVER	BATTERIJDEKSEL	COUVERCLE DE BATTERIE	BATTERIEDECKEL	TAPA DE BATERÍA	BATTERIKÄPPA	COPERCHIO DELLA BATTERIA
BATTERY EQUALIZER	BATTERIJGELIJKRICHTER	EGALISATEUR DE BATTERIE	BATTERIEAUSGLEICHRICHTUNG	COMPENSADOR DE LA BATERÍA	BATTERIUTJÄMNARE	EQUILIBRATORE DELLA BATTERIA
BATTERY FRAME	BATTERIJFRAME	CHASSIS DE BATTERIE	BATTERIERAHMEN	MARCO DE LA BATERÍA	BATTERIRAM	TELAIO DELLA BATTERIA
BATTERY INDICATOR	BATTERIJVERKLIKKER	INDICATEUR DE BATTERIE	BATTERIEANZEIGE	INDICADOR DE BATERÍA	BATTERIINDIKATOR	INDICATORE DELLA BATTERIA
BATTERY RELAY	BATTERIJRELAIS	RELAIS DE BATTERIE	BATTERIERELAIS	RELÉ DE BATERÍA	BATTERIRELÄ	RELE' DELLA BATTERIA

ENGLISH	NORSK	DANSK	ΕΛΛΗΝΙΚΑ	PORTUGUÊS	SUOMI
A					
ABSORBER	DEMPEMER	STØDD.EMPER	ΑΠΟΣΒΕΣΤΗΡΑΣ	ABSORVENTE	VAIMENNIN
ABUTMENT BLOCK	STØTTBLOKK	STØTTBLOK	ΣΩΜΑ ΑΚΡΟΒΑΘΟΥ	BLOCO DE SUPORTE	VASTE
AC AMMETER	VEKSELSTRØMAMPEREMETER	VEKSELSTRØMAMPEREMETER	ΑΜΠΕΡΟΜΕΤΡΟ AC	AMPERÍMETRO DE CA	AC-AMPEERIMITTARI
AC TERMINAL	VEKSELSTRØMSTERMINAL	VEKSELSTRØMSTERMINAL	ΑΚΡΟΔΕΚΤΗΣ AC	TERMINAL DE CA	AC-LIITIN
AC VOLTMETER	VEKSELSTRØMSVOLTMETRER	VEKSELSTRØMSVOLTMETRER	ΒΟΛΤΜΕΤΡΟ AC	VOLTÍMETRO DE CA	AC-VOLTIMITTARI
ACTIVATED ALUMINIUM	AKTIVERT ALUM.	AKTIVERT ALUMINIUM	ΕΝΕΡΓΟΠΟΙΗΜΕΝΗ ΣΤΥΤΗΡΗΡΙΑ	ALUMÍNIO ACTIVADO	AKTIVOITU ALUMINI
ACTIONATING CYLINDER	ARBEIDSSYLINDER	AKTUATORCYLINDER	ΚΥΛΙΝΔΡΟΣ ΕΝΕΡΓΟΠΟΙΗΣΗΣ	CILINDRO IMPULSIONADOR	TOIMISYLINTERI
ACTIONATING UNIT	ARBEIDSENHET	AKTUATORENHED	ΜΟΝΑΔΑ ΕΝΕΡΓΟΠΟΙΗΣΗΣ	UNIDADE IMPULSIONADORA	TOIMYKSIKÖ
ACTIONATOR	AKTUATOR	AKTUATOR	ΕΝΕΡΓΟΠΟΙΗΤΗΣ	IMPULSIONADOR	TOIMYKSIKÖ
ADAPTER	ADAPTER	ADAPTER	ΠΡΟΣΑΡΜΟΓΕΑΣ	ADAPTADOR	SOVITIN
ADAPTER FLANGE	TILPASSINGSFLENS	ADAPTERFLANGE	ΦΛΑΝ ΤΖΑ ΠΡΟΣΑΡΜΟΓΕΑΣ	FLANGE DE ADAPTAÇÃO	SOVITINLAIPPA
ADJUSTING BOLT	JUSTERINGSBOLT	JUSTERINGSBOLT	ΡΥΘΜΙΣΤΙΚΟΣ ΚΟΧΛΙΑΣ	PARAFUSO DE REGULAÇÃO	SÄÄTÖPULTTI
ADJUSTING FORK	JUSTERINGSGAFFEL	JUSTERINGSGAFFEL	ΡΥΘΜΙΣΤΙΚΗ ΠΕΡΟΝΗ	FORQUILHA DE REGULAÇÃO	SÄÄTÖHAARUKKA
ADJUSTING NUT	JUSTERINGSMÜTTER	JUSTERINGSMØTTRIK	ΡΥΘΜΙΣΤΙΚΟ ΠΕΡΙΚΟΧΛΙΟ	PORCA DE REGULAÇÃO	SÄÄTÖMUTTERI
ADJUSTING SCREW	JUSTERINGSKRUE	JUSTERINGSKRUE	ΡΥΘΜΙΣΤΙΚΟΣ ΚΟΧΛΙΑΣ	PARAFUSO DE AFINAÇÃO	SÄÄTÖRUUVI
AFTER COOLER	ETTERKJØLER	EFTERKØLER	ΜΕΤΑΨΥΚΤΗΣ	PERMUTADOR DE CALOR	JÄLKÄÄHDYTYN
AIR BLOWER	LUFTVIFTE	VENTILATOR	ΦΥΣΗΤΗΡΑΣ ΑΕΡΑ	INSUFLADOR	PUHALLIN
AIR BOX	LUFTBOKS	LUFTBEHOLDER	ΔΕΡΟΦΥΛΑΚΙΟ	CAIXA DE AR	ILMASÄILIÖ
AIR CAP	LUFTDEKSEL	VENTILATORHÆTTE	ΚΑΠΑΚΙΑ ΑΕΡΑ	TAMPA DA CAIXA DE AR	SULKUTULPPA
AIR CLEANER	LUFTRENSER	LUFTRENSER	ΚΑΘΑΡΣΤΗΡΑΣ ΑΕΡΑ	PURIFICADOR DE AR	ILMANPUHDISTIN
AIR CONDUIT	LUFTKRETS	LUFTKANAL	ΑΕΡΑΓΩΓΟΣ	TUBO DE AR	ILMAPUTKI
AIR COOLER	LUFTKJØLER	LUFTKØLER	ΨΥΚΤΗΣ ΑΕΡΑ	REFRIGERADOR DE AR	ILMANÄÄHDYTYN
AIR DUCT	LUFTKANAL	LUFTKANAL	ΑΕΡΑΓΩΓΟΣ	CONDUTA DE AR	ILMAKANAVA
AIR FILTER	LUFTFILTER	LUFTFILTER	ΦΙΛΤΡΟ ΑΕΡΑ	FILTRO DE AR	ILMANSUODATIN
AIR FILTER ELEMENT	LUFTFILTERELEMENT	LUFTFILTERELEMENT	ΣΤΟΙΧΕΙΟ ΦΙΛΤΡΟΥ ΑΕΡΑ	ELEMENTO DE FILTRO DE AR	ILMANSUODATTIMEN PATRUUNA
AIR HOSE	LUFTSLANGE	LUFTSLANGE	ΕΛΑΣΤΙΚΟΣ ΣΩΛΗΝΑΣ ΑΕΡΑ, ΣΩΛΗΝΑΚΙ ΑΕΡΑ	TUBO DE AR	ILMALEIKU
AIR INLET	LUFTINTAK	LUFTINDTAG	ΕΙΣΑΓΩΓΗ ΑΕΡΑ	ADMISSÃO DE AR	ILMAN TULOAUKKO
AIR INLET BOX	LUFTINTAKSBOLT	LUFTINDSUGNINGSBOKS	ΚΙΘΩΤΙΟ ΕΙΣΑΓΩΓΗΣ ΑΕΡΑ	CAIXA DE ADMISSÃO DE AR	ILMANTULOORASIA
AIR INLET VALVE	LUFTINTAKSVENTIL	VENTIL TIL LUFTINDTAG	ΒΑΛΒΙΔΑ ΕΙΣΑΓΩΓΗΣ ΑΕΡΑ	VÁLVULA DE ADMISSÃO DE AR	ILMAN TULOVENTTILI
AIR INTAKE PIPE	LUFTINTAKS PIPE	LUFTINDSUGNINGSRØR	ΣΩΛΗΝΑΣ ΕΙΣΑΓΩΓΗΣ ΑΕΡΑ	TUBO DE ADMISSÃO DE AR	ILMAN TULOPUTKI
AIR PIPE	LUFTRØR	LUFTKANAL	ΣΩΛΗΝΑΣ ΑΕΡΑ	TUBO DE AR	ILMAPUTKI
AIR RECEIVER	LUFTBEHOLDER	LUFTTANK	ΔΕΡΟΦΥΛΑΚΙΟ, ΘΑΛΑΜΟΣ ΠΛΗΡΩΣΗΣ ΑΕΡΑ	RESERVATÓRIO DE AR	ILMASÄILIÖ
AIR STARTER	LUFTSTARTER	LUFTAKTIVATOR	ΗΝΕΥΜΑΤΙΚΟΣ ΕΚΚΙΝΗΤΗΣ	ARRANCADOR A AR	PAINELMAKÄYNNISTIN
AIR VALVE	LUFTVENTIL	LUFTVENTIL	ΗΝΕΥΜΑΤΙΚΗ ΒΑΛΒΙΔΑ	VÁLVULA DE AR	ILMAVENTTILI
ALARM UNIT	ALARMENHET	ALARMANORDNING	ΣΥΣΤΗΜΑ ΣΥΝΑΓΕΡΜΟΥ	UNIDADE DE ALARME	HÄLYTYSLAITE
ALTERNATOR	DYNAMO	VEKSELSTRØMSGENERATOR	ΕΝΑΛΛΑΚΤΗΣ	ALTERNADOR	VAIHTOVIRTALATURI
ALTERNATOR CABLE	DYNAMOKABEL	GENERATORKABEL	ΚΑΛΩΔΙΟ ΕΝΑΛΛΑΚΤΗΡΑ	CABO DO ALTERNADOR	VAIHTOVIRTALATURIN KAAPELI
AMMETER	AMPEREMETER	AMPEREMETER	ΑΜΠΕΡΟΜΕΤΡΟ	AMPERÍMETRO	AMPEERIMITTARI
AMMETER SWITCH	AMPEREMETERBRYTER	AMPEREMETERKONTAKT	ΔΙΑΚΟΠΤΗΣ ΑΜΠΕΡΟΜΕΤΡΟΥ	INTERRUPTOR DO AMPERÍMETRO	AMPEERIMITTARIN KYTKIN
AMPLIFIER	FORSTERKER	FORSTÆRKER	ΕΝΔΥΞΤΗΣ	AMPLIFICADOR	VÄIKISTIN
ANCHOR PAD	ANKERPLATE	ANKERPLADE	ΒΑΣΗ ΣΤΕΡΕΩΣΗΣ	ALMOFADA DE FIXAÇÃO	KIINNTYLSLEVY
ANCHOR PLATE	ANKERPLATE	ANKERPLADE	ΠΛΑΚΑ ΑΓΚΥΡΩΣΗΣ	PLACA DE FIXAÇÃO	KIINNTYLSLEVY
ANGLE	VINKEL	VINKEL	ΓΩΝΙΑ	ÂNGULO	KULMA
ANTIFROST	FROSTVÆSKE	FROSTVÆSKE	ΑΝΤΙΨΑΓΕΤΙΚΟΣ	ANTICONGELANTE	PAKKANNESTE
ANTIVIBRATION PAD	VIBRASJONSDEMPEMER	VIBRATIONSDEMPEMER	ΑΝΤΙΚΡΑΔΑΣΜΙΚΗ ΒΑΣΗ	ALMOFADA ANTIVIBRATÓRIA	VÄRINÄN VAIMENNIN
APPLIANCE INLET	INNTAK PÅ APPARAT	MASKININDTAG	ΕΝΘΑΛΕΣ ΨΥΚΤΕΥΣΗΣ	DISP. DE ADMISSÃO DO ACESSÓRIO	LAITTEEN TULOAUKKO
ARM	ARM	ARM	ΒΡΑΧΙΟΝΑΣ	BRAÇO	VARS
ARMATURE	ARMATUR	ARMATUR	ΟΠΛΕΜΟΣ	INDUZIDO	ANKKURI
ARMATURE COIL	ANKERSPOLE	ANKERSPOLE	ΗΗΝΙΟ ΟΠΛΑΣΜΟΥ	BOBINE DO INDUZIDO	ANKKURIKELA
ARMATURE CORE	ANKERKERNE	ANKERKERNE	ΨΥΦΝΑΣ ΟΠΛΑΣΜΟΥ	NÚCLEO DO INDUZIDO	ANKKURIKHERNA
ARRESTOR.SILENCOR	FLAMMESTOPPER/LYDDEMPEMER	STOPANORDNING/DÆMPEMER	ΣΥΛΛΕΚΤΗΣ/ΣΤΗΛΑΣΤΗΡΑΣ	DISPOSITIVO DE ENGATES/SILENCIADOR	KIPINÄNSAMMUTIN/ÄÄNENVAIMENNIN
ASSEMBLY KIT	MONTINGSSETT	MONTAGESÆT	ΣΥΝΘΑΛΟ ΣΥΝΑΡΜΟΛΟΓΗΣΗΣ	ESTOJO DE MONTAGEM	ASENNUSARJA
ASSEMBLY SET	MONTINGSSETT	MONTINGSSÆT	ΣΕΙΡΑ ΣΥΝΑΡΜΟΛΟΓΗΣΗΣ	CONJUNTO DE MONTAGEM	ASENNUSARJA
ASSEMBLY STRIP	MONTINGSBÄND	MONTINGSSBÄND	ΤΑΙΝΙΑ ΣΥΝΑΡΜΟΛΟΓΗΣΗΣ	FAIXA DE MONTAGEM	KIINNTYSSIDE
ASSEMBLY TOOL	MONTINGSVERKTØY	MONTAGEVÆRKTØY	ΕΡΓΑΛΕΙΟ ΣΥΝΑΡΜΟΛΟΓΗΣΗΣ	FERRAMENTA DE MONTAGEM	ASENNUSYÖKÄLU
AUTO OILER HOSE	SLANGE FOR AUTOMATISK SMØRNING	SLANGE TIL AUTOMATISK SMØRNING	ΣΛΑΝΤΙΚΟΣ ΣΜΑΡΝΑΣ ΑΥΤΟΜΑΤΗΣ ΑΙΘΗΣΗΣ	MANGUEIRA DE AUTO-LUBRIFICAÇÃO	AUTOM. VOITELÄITTEEN LETKU
AUTOMATIC	AUTOMATISK	AUTOMATISK	ΑΥΤΟΜΑΤΟΣ	AUTOMÁTICO	AUTOMAATTINEN
AUTOMATIC FUSE	AUTOMATISIKRING	AUTOMATISK SIKRING	ΑΥΤΟΜΑΤΗ ΣΦΑΛΕΙΑ	FUSÍVEL AUTOMÁTICO	AUTOMAATTIVAROKKE
AUXILIARY CONTACT	HJÆLPEKONTAKT	HJÆLPEKONTAKT	ΕΦΕΡΙΚΗ ΕΛΙΑΦΗ	CONTACTO AUXILIAR	APURELE
AUXILIARY RELAY	HJÆLPERELÉ	MELLEMLELÉ	ΕΦΕΡΙΚΟ ΡΕΛΕ	RELÉ AUXILIAR	AKSELI
AXLE	AKSEL	AKSEL	ΑΞΟΝΑΣ	EIXO	AKSELI
AXLE BEAM	AKSELBJÆLKE	AKSELBJÆLKE	ΔΟΚΟΣ ΑΞΟΝΑ	HASTE DO EIXO	AKSELIPALKKI
AXLE HOUSING	AKSELHUS	AKSELHUS	ΚΕΛΥΦΟΣ ΑΞΟΝΑ	CARCAÇA DO EIXO	AKSELIKOTELO
AXLE WITH BRAKES	AKSEL MED BREMSER	AKSEL MED BREMSER	ΑΞΟΝΑΣ ΜΕ ΦΡΕΝΑ	EIXO COM TRAVÕES	JARRULLINEN AKSELI
AXLE, FRONT	FORAKSEL	FORAKSEL	ΑΞΟΝΑΣ ΜΗΡΟΣΤΙΝΟΣ	EIXO DIANTEIRO	ETUAKSELI
AXLE, REAR	BAKAKSEL	BAGAKSEL	ΑΞΟΝΑΣ ΠΙΣΩ	EIXO TRASEIRO	TAKA-AKSELI

B					
BACK NUT	BAKMUTTER	BAGMØTRIK	ΠΙΣΩ ΠΕΡΙΚΟΧΛΙΟ, ΠΙΣΩ ΠΛΑΣΤΗΡΙΑ	PORCA POSTERIOR	KANNATINMUTTERI
BACK PLATE	BAKPLATE	BAGPLADE	ΠΙΣΩ ΠΛΑΚΑ	CHAPA POSTERIOR	TUKILEVY
BACK-UP RING	BÆRERING	STØTTERING	ΑΝΑΠΗΡΩΜΑΤΙΚΟΣ ΔΑΚΤΥΛΙΟΣ	ANEL DE ENCOSTO	TUKIRENGAS
BACKING STRIP	UNDERLAGSPLATE	UNDERLAGSPLADE	ΤΑΙΝΙΑ ΑΝΤΕΣΤΗΡΗΣΗΣ	FAIXA DE PROTEÇÃO	TUKILUSKA
BAFFLE	LEDEPLATE	AFSKÆRMNING	ΔΙΑΦΡΑΓΜΑ	DEFLECTOR	EROTUSLEVY
BAFFLE FRAME	LEDEPLATERAMME	RAMME TIL SKÆRMPLADE	ΠΛΑΣΤΙΟ ΔΙΑΦΡΑΓΜΑΤΟΣ	QUADRO DO DEFLECTOR	EROTUSLEVY RUNKO
BALANCING PISTON	UTJEVNINGSTEMPEL	BALANCESTEMPEL	ΕΜΒΟΛΟ ΕΞΙΣΟΡΡΟΠΗΣΗΣ	ÊMBOLO COMPENSADOR	TASAPAINOMÄNTÄ
BALL	KULE	KUGLE	ΣΦΑΙΡΑ	ESFERA	KUULA
BALL BEARING	KULELAGER	KUGLEHOLDER	ΣΦΑΙΡΙΚΟ ΡΟΥΛΕΜΑΝ	ROLAMENTO DE ESFERAS	KUULALAAKERI
BALL CAGE	KULEHOLDER	KUGLELEJE	ΑΥΤΟΡΥΘΜΙΖΟΜΕΝΟ ΡΟΥΛΕΜΑΝ	GAIOLA DAS ESFERAS	LAAKERIKEHÄ
BALL COUPLING	KULEKOPLING	KUGLESAMLING	ΣΦΑΙΡΙΚΟΣ ΣΥΝΔΕΣΜΟΣ	ACOPLEMENTO ESFÉRICO	KUULAKYTKIN
BALL HANDGRIP	KULEHÄNDTAK	KUGLEHÄNDTAG	ΣΦΑΙΡΙΚΗ ΧΕΙΡΩΝΑΒΗ	PUNHO ESFÉRICO	PALLOKAHVIA
BALL JOINT	KULELEDD	KUGLELED	ΣΦΑΙΡΙΚΟΣ ΣΥΝΔΕΣΜΟΣ	JUNTA ESFÉRICA	PALLONIVEL
BALL KNOB	RUND KNAPP	KUGLEGREB	ΣΦΑΙΡΙΚΟΣ ΚΟΜΒΟΣ	MAÇANETA ESFÉRICA	PYÖREÄ NUPPI
BALL VALVE	KULEVENTIL	KUGLEVENTIL	ΣΦΑΙΡΙΚΗ ΒΑΛΒΙΔΑ	VÁLVULA DE ESFERA	PALLOVENTTILI
BANJO	BANJOTILKOPLING	BANJOTILSLUTNING	ΜΗΑΝΤΖΟ	BANJO	BANJOLIITIN
BARRIER	SPERRE	SPERRE	ΦΡΑΓΜΑ	BARREIRA	RAJOTTIN
BASE FRAME	BUNNRAMME	BUNDRAMME	ΒΑΣΙΚΟ ΠΛΑΣΤΙΟ	QUADRO DE BASE	RUNKOKEHIKKO
BASE PLATE	BUNNPLATE	BUNNPLADE	ΒΑΣΙΚΗ ΠΛΑΚΑ	PRATO DE ASSENTAMENTO	POHJALEVY
BATTERY	BATTERI	BATTERI	ΜΗΑΤΑΡΙΑ	BATERIA	AKKU
BATTERY BOLT	BATTERIBOLT	BATTERIBOLT	ΚΟΧΛΙΑΣ ΜΗΑΤΑΡΙΑΣ	PARAFUSO DA BATERIA	AKKUPULTTI
BATTERY CABLE	BATTERIKABEL	BATTERIKABEL	ΚΑΛΩΔΙΟ ΜΗΑΤΑΡΙΑΣ	CABO DE BATERIA	AKKUKAAPELI
BATTERY CHARGER	BATTERILADER	BATTERILADER	ΦΟΡΤΗΣΤΗΣ ΜΗΑΤΑΡΙΑΣ	CARREGADOR DA BATERIA	AKKULATURI
BATTERY CLAMP	BATTERIKLEMME	BATTERIKLEMME	ΣΥΤΚΡΑΤΗΤΗΡΑΣ ΜΗΑΤΑΡΙΑΣ	GRAMPOS DA BATERIA	AKUN NAPA
BATTERY COVER	BATTERIDÆKSEL	BATTERIDÆKSEL	ΚΑΛΥΜΜΑ ΜΗΑΤΑΡΙΑΣ	TAMPA DA BATERIA	AKUN KANSI
BATTERY EQUALIZER	BATTERIUTJEVNER	BATTERIUDLIGNER	ΙΣΟΣΤΑΘΜΙΣΤΗΣ ΜΗΑΤΑΡΙΑΣ	COMPENSADOR DA BATERIA	AKUN TASASUUNTAAJA
BATTERY FRAME	BATTERIRAMME	BATTERIRAMME	ΠΛΑΣΤΙΟ ΜΗΑΤΑΡΙΑΣ	ARMAÇÃO DA BATERIA	AKKUTELINE
BATTERY INDICATOR	BATTERIINDIKATOR	BATTERIINDIKATOR	ΕΝΔΕΙΧΤΗΣ ΜΗΑΤΑΡΙΑΣ	INDICADOR DE CARGA DA BATERIA	AKUN VARAUSTILAN ILMAISIN
BATTERY RELAY	BATTERIRELÉ	BATTERIRELÆ	ΡΕΛΕ ΜΗΑΤΑΡΙΑΣ	RELÉ DA BATERIA	AKKURELE

ENGLISH	NEDERLANDS	FRANCAIS	DEUTSCH	ESPAÑOL	SVENSKA	ITALIANO
BATTERY SADDLE	BATTERIJSTEUN	SUPPORT DE BATTERIE	BATTERIESTUHL	SOPORTE DE BATERÍA	BATTERIHÅLLARE	SELLA DELLA BATTERIA
BATTERY SENSOR	BATTERIJSENSOR	CAPTEUR DE BATTERIE	BATTERIESENSOR	SENSOR DE LA BATERÍA	BATTERIGIVARE	SENSORE DELLA BATTERIA
BATTERY SWITCH	BATTERIJSCHAKELAAR	DISJONCTEUR DE BATTERIE	BATTERIESCHALTER	INTERRUPTOR DE BATERÍA	BATTERISTRÖMSTÄLLARE	INTERRUTTORE DELLA BATTERIA
BATTERY TRAY	BATTERIJBAK	BOÎTE DE BATTERIE	BATTERIETROG	PLACA DE LA BATERÍA	BATTERILÅDA	VASSOIO DELLA BATTERIA
BATTERY WET	BATTERIJVLOEISTOF	FLUIDE DE BATTERIE	BATTERIEFLÜSSIGKEIT	HUMEDAD DE BATERÍA	VÅTBATTERI	BAGNO DELLA BATTERIA
BEAM	BALK	POUTRE	BALKEN	VIGA	BALK	TRAVE
BEARING	LAGER	ROULEMENT	LAGER	COJINETE	LAGER	CUSCINETTO
BEARING BLOCK	LAGERBLOK	PALIER A ROULEMENT	LAGERBOCK	BLOQUE DEL COJINETE	LAGERBLOCK	BLOCCO DEL CUSCINETTO
BEARING BUSH	LAGERBUS	COUSSINET	LAGERBUCHSE	BUJE DEL COJINETE	LAGERBUSSNING	BUSSOLA PER CUSCINETTO
BEARING FLANGE	LAGERFLENS	BRIDE D' APPUI	LAGERFLANSCH	BRIDA DEL COJINETE	LAGERFLÄNS	LANGERIA DEL CUSCINETTO
BEARING HOUSING	LAGERHUIS	CARTER DE ROULEMENT	LAGERGEHÄUSE	CAJA DEL COJINETE	LAGERHUS	ALLOGGIAMENTO DEL CUSCINETTO
BEARING LINER	LAGERMATERIAAL	ALIGNEUR DE ROULEMENT	LAGERGELEITFLÄCHE	REVESTIMIENTO DEL COJINETE	LAGERINSATS	SPESORE DEL CUSCINETTO
BEARING RETAINER	LAGERHOUDER	PALIER À ROULEMENT	LAGERAUFNAHME	RETÉN DEL COJINETE	LAGERHÅLLARE	FERMO DEL CUSCINETTO
BEARING SET	LAGERSTEL	JEU DE ROULEMENTS	LAGERSATZ	JUEGO DE COJINETES	LAGERSATS	SERIE DI CUSCINETTI
BEARING SHELL	LAGERSCHAAL	COUSSINET	LAGERSCHALE	CASCO DEL COJINETE	LAGERSKÅL	GUSCIO DI CUSCINETTO
BEARING SHIELD	LAGERSCHILD	BOÎTIER DE ROULEMENT	LAGERSCHILD	ESCUDO DEL COJINETE	LAGERSKÖLD	PROTEZIONE DEL CUSCINETTO
BELLOW	BALG	SOUFFLET	BALG	FUELLE	BÄLG	SOFFIETTO
BELT	RIEM	COURROIE	RIEMEN	CORREA	REM	CINTURA - NASTRO
BELT GUARD	RIEMBESCHERMER	COUVRE-COURROIE	RIEMENSCHUTZ	PROTECCIÓN DE LA CORREA	REMSKYDD	PROTEZIONE DELLA CINTURA
BELT TENSIONER	RIEMSPANNER	TENDEUR DE COURROIE	RIEMENSPANNER	TENSOR DE LA CORREA	REMSPÄNNARE	TENDITORE DELLA CINTURA
BEND	BOCHT	COUDE	KRÜMMER	CURVA	KRÖK	CURVA
BLADE	BLAD	PALE	SCHAUFEL	ALETA	BLAD	PALA
BLEEDER VALVE	ONTLUCHTINGSKLEP	SOUPAPE DE PURGE	ENTLÜFTUNGSVENTIL	VÁLVULA DE PURGA	UTLUFNINGSVENTIL	VALVOLA DI SPURGO
BLEEDING TUBE	ONTLUCHTINGSLEIDING	TUYAU DE PURGE	ENTLÜFTUNGSROHR	TUBO DE PURGA	LUFTNINGSSLANG	TUBO DI SPURGO
BLIND FLANGE	BLINDE FLENS	BRIDE PLEINE	BLINDFLANSCH	BRIDA CIEGA	BLINDFLÄNS	FLANGIA CIECA
BLIND RIVET	BLINDE KLINKNAGEL	RIVET AVEUGLE	BLINDNIET	REMACHE CIEGO	BLINDNIET	RIVETTO CIECO
BLINKER LIGHT	KNIPPERLICHT	CLIGNOTEUR	BLINKFEUER	LUZ DESTELLANTE	BLINKLIUS	LAMPEGGIATORE
BLOCK	BLOK	BLOK	BLOCK	BLOCK	BLOCK	BLOCCO
BLOCKING DEVICE	BLOKKERING	DISPOSITIF DE BLOCAGE	SPERRE	DISPOSITIVO DE BLOQUEO	BLOCKANORDNING	DISPOSITIVO DI BLOCCAGGIO
BLOCKING TOOL	BLOKKEERGEREEDSCHAP	OUTIL DE BLOCAGE	GEGENHALTER	HERRAMIENTA DE BLOQUEO	BLOCKERINGSVERKTYG	UTENSILE DI BLOCCAGGIO
BLOW-OFF SILENCER	GELUIDDEMPER	SOUPAPE DE COMPRESSION	ABBLASEDÄMPFER	SILENCIADOR DE LA PURGA	AVBLÄSNINGSDÄMPARE	SILENZIATORE DI SCARICO
BLOW-DOWN VALVE	SPIJKLEP	REFROIDISSEUR DE DÉCHARGE	ABBLASEVENTIL	VÁLV. EVACUACIÓN	UTBLÄSNINGSVENTIL	VALVOLA DI SCARICO
BLOW-OFF COOLER	AFBLAASKOELER	SILENCIEUX DE DECHARGE	ABBLASEKÜHLER	REFR. DE ESCAPE	AVBLÄSNINGSKYLARE	REFRIGERATORE DI SCARICO
BLOWER	VENTILATOR	VENTILATEUR, SOUFFLANTE	GEBLÄSE	VENTILADOR IMPELENTE	FLÅKT	SOFFIANTE
BODY	HUIS	CORPS	KÖRPER	CUERPO	HUS	CORPO
BODY WORK	KOETSWERK	CORPS	FAHRGESTELL	TRABAJO DEL CUERPO	HUSSTOMME	PEZZO DEL CORPO
BOLT	BOUW	BOULON	BOLZEN	PERNO	BULT	BULLONE - VITE DI FISSAGGIO
BOOSTER	BOOSTER	UNITE D' APPOINT	VERSTÄRKER	ELEVADOR	HJÄLPDON	ELEVATORE
BOSS	NAAF	MOYEU	NABE	REFUERZO	NAV	MOZZO
BOTTOM	BODEM	FOND	BODEN	FONDO	BOTTEN	FONDO
BOTTOM PANEL	BODEMPANEEL	PANNEAU DE FOND	BODENPANEEL	PANEL DE FONDO	BOTTENPANEL	PANNELLO DI FONDO
BOTTOM PIPE	BODEMPIJP	TUYAU DE FOND	BODENROHR	TUBERÍA DE FONDO	BOTTENRÖR	TUBO INFERIORE
BOTTOM PLATE	BODEMPLAAT	TOLE DE FOND	BODENPLATTE	CHAPA DE FONDO	BOTTENPLÅT	PIASTRA DI FONDO
BOW	BEGEL	ARC	BOGEN	ASA	BÅGE	ARCHETTO
BOW SHACKLE	HARPSLUTTING	CHAÎNE D' ARC	BÜGEL	PERNODEENGANCHECURVADO	BÅGBYGEL	ANELLO DI TRAZ. DELL' ARCHETTO
BOWL	KOM	CUVETTE	SCHALE	CUBA	SKÅL	BICCHIERINO
BOWL CLIP	KOMVORMIGE KLEM	ATTACHE DE CUVETTE	CLIP	ABRAZADERA DE LA CUBA	SKÅLKLÄMMA	FERMAGLIO DEL BICCHIERINO
BOX	KAST	BOÎTE	KASTEN	CAJA	SKÅP	SCATOLA
BRACE	BEGEL	ATTACHE	STREBE	ABRAZADERA	BYGEL	SOSTEGNO COLLEGAMENTO
BRACKET	STEUN	SUPPORT	STÜTZE	MÉNSULA	HÅLLARE	MENSOLA
BRACKET STOP	AANSLAG	BUTEE DE SUPPORT	ANSCHLAG	FRENO DE LA MÉNSULA	HÅLLARSPÄRR	ARRESTO DELLA MENSOLA
BRAKE	REM	FREIN	BREMSE	FRENO	BROMS	BROMS
BRAKE ASSY	REM, COMPLETEET	FREIN COMPLET	BREMSENBAUGRUPPE	CONJUNTO FRENO	BROMSSATS	GRUPPO DEL FRENO
BRAKE BEAM	REMBALK	BARRE DE FREIN	BREMSBALKEN	HAZ DEL FRENO	BROMSBALK	TRAVE DEL FRENO
BRAKE CABLE	REMKABEL	CABLE DE FREIN	BREMSEIL	CABLE DE FRENO	BROMSKABEL	CAVO DEL FRENO
BRAKE CHAMBER	LUCHTKAMER	RESERVOIR DE FREIN	BREMSEKAMMER	CÁMARA DE FRENO	LUFTKAMMARE	CAMERA DEL FRENO
BRAKE CYLINDER	REMCILINDER	VERIN DE FREIN	BREMSEZYLINDER	CILINDRO DEL FRENO	BROMSCYLINDER	CILINDRO DEL FRENO
BRAKE DRUM	REMTROMMEL	TAMBOUR DE FREIN	BREMSTROMMEL	TAMBOR DE FRENO	BROMSTRUMMA	BROMSTRUMMA
BRAKE HUB	REMNAAF	MOYEU DE FREIN	BREMSSNABE	ANILLO CENTRAL DEL FRENO	BROMSNÄV	MOZZO DEL FRENO
BRAKE LEVER	REMHÉFBOOM	LEVIER DE FREIN	BREMSEBELAG	PALANCA DE FRENO	BROMSSPÅK	LEVA DEL FRENO
BRAKE LINING	REMVOERING	ALIGNEMENT DE FREIN	BREMSEBELAG	REVESTIMIENTO DEL FRENO	BROMSBELÄGG	GUARNIZIONE DEL FRENO
BRAKE SHOE	REMSCHOEN	PAIIN DE FREIN	BREMSEBACKE	ZAPATA DEL FRENO	BROMSBACK	CEPPO DEL FRENO
BRAKE YOKE	REMIJK	JOUG DE FREIN	BREMSEIOCH	BRIDA DEL FRENO	BROMSKOK	GIOCO DEL FRENO
BRANCH PIPE	AFTAKPIJP	TUYAU DE BRANCHEMENT	ABZWEIGROHR	TUBO DERIVADO	AVGRENINGSRÖR	TUBO DI RACCORDO
BREATHER	ONTLUCHTER	RENIFLARD	ENTLÜFTER	RESPIRADERO	UTLUFNING	SFIATATOIO
BREATHER ELEMENT	ONTLUCHTINGSELEMENT	ELEMENT DE RENIFLARD	ELEMENTUNGSELEMENT	ELEM. DE RESPIR.	UTLUFNINGSSINSATS	ELEMENTO DI SFIATO
BRUSH	BORSTEL	BROSSE	BÜRSTE	ESCOBILLA	BORSTE	SPAZZOLA
BUFFER	BUFFER	AMORTISSEUR	PUFFER	AMORTIGUADOR	BUFFERT	PARACOLPI
BUFFER DISC	BUFFERPLAAT	DISQUE AMORTISSEUR	PUFFERSCHEIBE	DISCO AMORTIGUADOR	BUFFERTSKIVA	DISCO DEL PARACOLPI
BUFFER RING	BUFFERRING	ANNEAU AMORTISSEUR	PUFFERRING	ANILLO AMORTIG.	BUFFERFRING	ANELLO PARACOLPI
BULB	GLOEILAMP	AMPOULE	GLÜHLAMPE	BOMBILLA	GLÖDLAMPA	LAMPADINA
BUMPER	BUMPER	PARÉ-CHOC	STOSSSTANGE	PARACHOQUES	STÖTFÄNGARE	PARAURTI
BUMPER BAR	BUMPER	BARRE DE PARÉ-CHOC	STOSSSTANGE	BARRA DE SACUDIDAS	STÖTFÄNGARSKENA	BARRA RESPINGENTE
BUMPER DRAIN	AFTAPBUIJS BUMPER	DRAIN DE PARÉ-CHOC	ABLASS	DRENAJE DE SACUDIDAS	STÖTFÄNGARRÄNNA	SCARICO RESPINGENTE
BUMPER PLATE	BUMPER PLAAT	PLAQUE PARÉ-CHOC	STOSSFÄNGER	PLACA DE SACUDIDAS	STÖTFÄNGARPLÅT	PIASTRA RESPINGENTE
BURN-OUT FILTER	VERBRANDINGSFILTER	FILTRE DE COMBUSTION	VERBRENNUNGSFILTER	FILTRO DE COMBUSTIÓN	FÖRBRÄNNINGSFILTER	FILTRO ANTIFIAMMA
BUS-BAR	RAIL	RAIL	SAMMELSCHIENE	BARRA COLECTORA	SAMLINGSSKENA	SBARRA-BUS
BUSH	BUS	DOUILLE	BUCHSE	BUJE	BUSSNING	BUSSOLA
BUSH HOLDER	BUSHOUDER	PORTE-DOUILLE	BUCHSE	SOPORTE DEL MANGUITO	BUSSNINGSHÅLLARE	SUPPORTO PER BUSSOLA
BUSHING	BUS	DOUILLE	BUCHSE	BUJE	BUSSNING	BOCCOLA
BUTTON	KNOP	BOUTON	TASTE	BOTÓN	KNAPP	PULSANTE
BY-PASS VALVE	OMLOOPKLEP	VANNE BY-PASS	UMGEHUNGSVENTIL	VÁLV. DE DERIVACIÓN	ÖVERSTR. VENTIL	VALVOLA BY-PASS

C

CABLE	KABEL	CABLE	KABEL	CABLE	KABEL	CAVO
CABLE BOX	AANSLUITDOOS	BOÎTE DE JONCTION	ANSCHLUSSDOSE	CAJA DE CONEXIÓN	KOPPLINGSLÅDA	MUFFOLA PER CAVI
CABLE CLAMP	KABELKLEM	COLLIER DE SERRAGE	KABELKLEMME	GRAPA PARA CABLE	KABELKLÄMMA	MORSSETTO SERRAFILO
CABLE CLEVIS	TREKKABEL	CROCHET DE CABLE	KABELÖSE	ABRAZADERA PARA EL CABLE	KABELGAFFEL	CAVALL. CON PERNO DI CHIUS. DEL CAVO
CABLE CLIP	KABELKLEM	ATTACHE DE CABLE	KABELCLIP	COLLAR PARA CABLE	KABELKLÄMMA	FERMAGLIO DEL CAVO
CABLE CONNECTOR	KABELVERBINDING	CONNECTEUR DE CABLE	KABELVERBINDER	CONNECTOR DE CABLE	KABELFÖRBINDNING	CONNETTORE PER CAVI
CABLE END	KABELLEIND	BOUT DE CABLE	KABELSTUMPF	EXTREMO DEL CABLE	KABELÅNDA	ESTREMITA' DEL CAVO
CABLE GLAND	KABELRING	PRESE-ETOUPE, CABLE	KABELEINFÜHRUNG	CASQUILLO DE CABLE	KABELFÖRSKRUVNING	PRESSATRECCIA PER CAVO
CABLE GUIDE	KABELGELEIDING	GUIDE-CABLE	KABELFÜHRUNG	GUÍA DEL CABLE	KABELGUIDE	GUIDA PER CAVO
CABLE INLET	KABELINVOERING	RACC. ENTRÉE DE CABLE	KABELEINFÜHRUNG	ENTRADA DE CABLE	KABELINTAG	ENTRATA DEL CAVO
CABLE LUG	KABELSCHOEN	COSSE DE CABLE	KABELSCHUH	TALÓN DE CABLE	KABELSKO	CAPOCORDA
CABLE PROTECTION	KABELSOLATIE	PROTECTION DE CABLE	KABELSCHUTZ	PROTECCIÓN PARA EL CABLE	KABELSKYDD	PROTEZIONE DEL CAVO
CABLE STRIP	KABELSTRIP	BANDE DE CABLE	KABELSTREIFEN	CINTA PARA EL CABLE	KABELREMSA	NASTRO DEL CAVO
CABLE TIE	KABELSTRIP	COLLIER DE CABLE	KABELBINDER	UNIÓN DEL CABLE	KABELFÄSTE	TIRANTE DEL CAVO
CABLE TIE ANCHOR	BEVESTIGING V. KABELSTRIP	ANCRE COLLIER DE CABLE	BEFESTIGUNG KABELBINDER	ANCLAJE PARA LA UNIÓN DEL CABLE	ANKARE KABELFÄSTE	ANCORAGGIO DEL TIRANTE CAVO

ENGLISH	NORSK	DANSK	ΕΛΛΗΝΙΚΑ	PORTUGUÊS	SUOMI
BATTERY SADDLE	BATTERIHOLDER	BATTERISADEL	ΓΕΦΥΡΑ ΜΙΑΤΑΡΙΑΣ	ESPERA DA BATERIA	AKKUTELINE
BATTERY SENSOR	BATTERISENSOR	BATTERISENSOR	ΔΕΘΗΤΗΡΑΣ ΜΙΑΤΑΡΙΑΣ	SENSOR DA BATERIA	AKKUANTURI
BATTERY SWITCH	BATTERIBRYTER	BATTERIAFBRYDER	ΔΙΑΚΟΠΤΗΣ ΜΙΑΤΑΡΙΑΣ	INTERRUPTOR DA BATERIA	AKKUKYTKIN
BATTERY TRAY	BATTERIBRETT	BATTERIBAKKE	ΘΗΚΗ ΜΙΑΤΑΡΙΑΣ	TINA DA BATERIA	AKKUTULE
BATTERY WET	BATTERIVÆSKE	BATTERIVÆSKE	ΜΙΑΤΑΡΙΑ ΥΓΡΟΥ	BATERIA HIDROELÉCTRICA	AKKUNESTE
BEAM	BJELKE	BJELKE	ΔΟΚΟΣ	VIGA	PALKKI
BEARING	LAGER	LEJE	ΕΠΑΝΟ, ΚΟΥΖΙΝΕΤΟ, ΡΟΥΛΕΜΑΝ	ROLAMENTO	LAAKERI
BEARING BLOCK	LAGERBLOKK	LEJEBLOK	ΣΥΣΤΗΜΑ ΡΟΥΛΕΜΑΝ	BASE DO ROLAMENTO	LAAKERINKANNATIN
BEARING BUSH	LAGERBØSSING	BØSSING TIL LEJE/LEJEBØSSNING	ΧΡΙΣΤΙΟ ΕΠΑΝΟΥ	CASQUILHO DO ROLAMENTO	LAAKERIHOLKKI
BEARING FLANGE	LAGERFLENS	LEJEFLENGE	ΦΛΑΝ ΤΖΑ ΕΠΑΝΟΥ	FLANGE DO ROLAMENTO	LAAKERILAIPPA
BEARING HOUSING	LAGERHUS	LEJEHUS	ΚΕΛΥΦΟΣ ΕΠΑΝΟΥ	CHUMACEIRA	LAAKERIPESÄ
BEARING LINER	LAGERFORING	LEJEFORING	ΠΕΡΙΒΑΗΜΑ ΡΟΥΛΕΜΑΝ	CAMISA DO ROLAMENTO	LAAKERISISUSTE
BEARING RETAINER	LAGERHOLDER	LEJEHOLDER	ΣΥΤΚΡΑΤΗΤΗΡΑΣ ΡΟΥΛΕΜΑΝ	RETENTOR DO ROLAMENTO	VIERINTÄELINTEN PIDIN
BEARING SET	LAGERSETT	LEJEINDSATS	ΣΕΙΡΑ ΕΠΑΝΩΝ	CONJUNTO DO ROLAMENTO	LAAKERISARJA
BEARING SHELL	LAGERSKÅL	LEJEBØSSNING/LEJESKÅL	ΚΕΛΥΦΟΣ ΕΠΑΝΟΥ	REVESTIMENTO DO ROLAMENTO	LAAKERIKUORI
BEARING SHIELD	LAGERSKJOLD	LEJESKJOLD	ΠΡΟΣΤΑΤΕΥΤΙΚΟ ΚΑΛΥΜΜΑ ΕΠΑΝΟΥ	BLINDAGEM DO ROLAMENTO	LAAKERIN SUOJUS
BELLOW	BELG	BLÆSEBÆLG	ΦΥΣΟΥΝΑ	FOLE	PAIJE
BELT	REM	REM	ΙΜΑΝ ΤΑΣ	CORREIA	HINNÄ
BELT GUARD	REMVÆRM	REMBESKYTTELSE	ΠΡΟΦΥΛΑΚΤΗΡΑΣ ΙΜΑΝΤΑ	PROTECTOR DA CORREIA	HINNAN SUOJUS
BELT TENSIONER	REMSTRAMMER	REMSTRAMMER	ΕΝΤΑΤΗΡΑΣ ΙΜΑΝΤΑ	SENSOR DA CORREIA	HINNAN KIRISTIN
BEND	BEND	BØJNING	ΚΑΜΠΗ	CURVATURA	MUTKA
BLADE	BLAD	KLINGE/BLAD	ΠΤΕΡΥΓΙΟ, ΔΕΙΠΙΑ	LÁMINA	LAPA
BLEEDER VALVE	UTLUFTINGSVENTIL	UDLUFTINGSVENTIL	ΒΑΛΒΙΔΑ ΔΙΑΦΥΓΗΣ	VÁLVULA DE PURGA	ILMANPOISTOVENTTILI
BLEEDING TUBE	UTLUFTINGSRØR	UDLUFTINGSRØR	ΣΩΛΗΝΑΣ ΔΙΑΦΥΓΗΣ	TUBO DE DRENAGEM	ILMANPOISTOJOHTO
BLIND FLANGE	BLINDFLENS	BLINDFLANGE	ΤΥΦΑΗ ΦΛΑΝ ΤΖΑ	FLANGE CEGA	PIILOLAIPPA
BLIND RIVET	BLINDNAGLE	BLINDNITTE	ΤΥΦΑΟ ΚΑΡΦΙ	REBITE CEGO	PILONITTI
BLINKER LIGHT	SIGNALLAMPE	BLINKLYS	ΛΑΜΠΗΤΗΡΑΣ ΦΩΤΕΙΝΩΝ ΣΗΜΑΤΩΝ	LUZ INTERMITENTE	VILKKUVALO
BLOCK	BLOK	BLOK	ΣΥΤΚΡΟΤΗΜΑ	BLOCO	LOHKO
BLOCKING DEVICE	SPERRE	SPERRE	ΣΥΣΤΗΜΑ ΑΝΑΣΤΟΛΗΣ	DISPOSITIVO DE BLOQUEIO	LUKITUSLAITE
BLOCKING TOOL	SPERREVERKTØY	SPERREVÆRKTØJ	ΕΡΓΑΛΕΙΟ ΑΝΑΣΤΟΛΗΣ	FERRAMENTA DE BLOQUEIO	LUKITUSVÄLINE
BLOW-OFF SILENCER	AVBLÅSNINGSLYDDDEMPER	UDBLÆSNINGSLYDDÆMPER	ΣΙΓΗΣΤΗΡΑΣ ΕΚΤΟΝΩΣΗΣ	SILENCIADOR DE DESCARGA	ÄÄNENVAIMENNIN
BLOW-DOWN VALVE	UTBLÅSNINGSVENTIL	UDBLÆSNINGSVENTIL	ΒΑΛΒΙΔΑ ΕΚΚΙΝΩΣΗΣ	VÁLVULA DE DESCARGA	PUHALLUSVENTTILI
BLOW-OFF COOLER	AVBLÅSNINGSKJØLER	AFBLÆSNINGSKØLER	ΨΥΚΤΗΣ ΕΚΤΟΝΩΣΗΣ	REFRIGERADOR DE DESCARGA	JÄÄHDYTYSPUHALLIN
BLOWER	VIFTE	VENTILATOR	ΦΥΣΗΤΗΡΑΣ	VENTILADOR	TUULETIN
BODY	HUS	HUS	ΣΩΜΑ	CORPO	RUNKO
BODY WORK	KAROSSERI	KAROSSERI	ΑΜΑΞΩΜΑ	TRABALHO CORPORAL	KORI
BOLT	BOLT	BOLT	ΚΟΧΛΙΑΣ	PARAFUSO	PULTTI
BOOSTER	FORSTERKER	BOOSTER/FORSTÆRKER	ΕΝΔΥΧΥΤΗΣ	INTENSIFICADOR	VAHVISTIN
BOSS	BOSS	STUDS	ΚΟΛΑΡΟ	SALIÊNCIA	NAPA
BOTTOM	BUNN	BUND	ΒΑΣΗ	FUNDO	POHJA
BOTTOM PANEL	BUNNPANEL	BUNDPANEL	ΚΑΤΩ ΚΑΛΥΜΜΑ	PAINEL DE FUNDO	POHJAPANEELI
BOTTOM PIPE	BUNNRØR	BUNNRØR	ΚΑΤΩ ΣΩΛΗΝΑΣ	TUBO DE FUNDO	POHJAPUTKI
BOTTOM PLATE	BUNNPLATE	BUNDPLADE	ΚΑΤΩ ΠΛΑΚΑ	PLACA DE FUNDO	POHJALEVY
BOW	BUE	BUE	ΤΟΞΟ	TAMPA	KIINNITIN
BOW SHACKLE	SIJAKKEL	BUEBØJLE	ΤΟΞΩΤΟΣ ΚΡΙΚΟΣ	ARO DA TAMPA	SAKKELI
BOWL	SKÅL	SKÅL	ΔΕΚΑΝΗ	TAÇA	MALJA
BOWL CLIP	SKÅLKLEMME	SKÅLKLEMME	ΘΩΑΚΤΟΣ ΣΥΤΚΡΑΤΗΤΗΡΑΣ	PINÇA DA TAÇA	MALJAMAINEN KIINNIKE
BOX	BOKS	SKAB	ΚΟΥΤΙ, ΚΙΒΩΤΙΟ	CAIXA	KOTELO
BRACE	STIVER	STIVER	ΕΝΔΥΧΥΣΗ	BRAÇADEIRA	KANNATIN
BRACKET	BRACKETT	HOLDER/KONSOL	ΥΠΟΣΤΗΡΙΓΜΑ, ΜΠΡΑΚΕΤΟ	SUPORTE	PIDIN
BRACKET STOP	BRACKETTSTOPPER	KONSOLSTOP	ΜΠΡΑΚΕΤΟ ΑΝΑΚΟΠΗΣ	BATENTE DO SUPORTE	VASTE
BRAKE	BREMS	BREMSE	ΦΡΕΝΟ	TRAVÃO	JARRU
BRAKE ASSY	BREMSEENHET	BREMSESÆT	ΣΥΣΤΗΜΑ ΦΡΕΝΟΥ	CONJUNTO DO TRAVÃO	JARRUASENNELMA
BRAKE BEAM	BREMSEBJELKE	BREMSEBJELKE	ΔΟΚΟΣ ΦΡΕΝΟΥ	HASTE DO TRAVÃO	JARRUPALKKI
BRAKE CABLE	BREMSEKABEL	BREMSEKABEL	ΚΑΛΩΔΙΟ ΦΡΕΝΟΥ	CABO DE TRAVÃO	JARRUKAAPELI
BRAKE CHAMBER	BREMSEKAMMER	LUFTKAMMER	ΘΑΛΑΜΟΣ ΦΡΕΝΟΥ	CÂMARA DO TRAVÃO	PAINELIMAKAMMIO
BRAKE CYLINDER	BREMSESYLINDER	BREMSECYLINDER	ΚΥΛΙΝΔΡΟΣ ΦΡΕΝΟΥ	CILINDRO DO TRAVÃO	JARRUSYLINTERI
BRAKE DRUM	BREMSETROMMEL	BREMSETROMMEL	ΤΥΜΠΑΝΟ ΦΡΕΝΟΥ	TAMBOR DO TRAVÃO	JARRURUMPU
BRAKE HUB	BREMSENAV	BREMSENAV	ΠΑΝΗΜΗ ΦΡΕΝΟΥ	EIXO DO TRAVÃO	JARRUNAPA
BRAKE LEVER	BREMSESPAK	BREMSEARM	ΜΟΧΛΟΣ ΦΡΕΝΟΥ	ALAVANCA DO TRAVÃO	JARRUVIPU
BRAKE LINING	BREMSEBELEGG	BREMSEBELEGGING	ΤΑΚΑΚΙ ΦΡΕΝΟΥ	REVESTIMENTO DO TRAVÃO	JARRUHIINA
BRAKE SHOE	BREMSESKO	BREMSEBAKKE	ΣΙΑΓΩΝΑ ΦΡΕΝΟΥ	PASTILHA DO TRAVÃO	JARRUKENKÄ
BRAKE YOKE	BREMSEÅK	BREMSEÅK	ΖΥΓΟΣ ΦΡΕΝΟΥ	UNIÃO DO TRAVÃO	JARRUES
BRANCH PIPE	FORGRENNINGSRØR	FORGRENNINGSRØR	ΣΩΛΗΝΑΣ ΔΙΑΚΑΛΩΣΗΣ	TUBO DE DERIVAÇÃO	PUTKIHAARA
BREATHER	UTLUFTINGSVENTIL	UDLUFTNING	ΑΝΑΙΝΕΥΣΤΗΡΑΣ	RESPIRADOR	HUOHOTIN
BREATHER ELEMENT	UTLUFTINGSSELEMENT	UDLUFTNINGSINDSATS	ΣΤΟΙΧΕΙΟ ΑΝΑΙΝΕΥΣΗΣ	ELEMENTO DE RESPIRADOR	HUOHOTINPATRUUNA
BRUSH	BØRSTE	BØRSTE	ΨΥΚΤΡΑ	ESCOVA	HARJA
BUFFER	BUFFER	BUFFER	ΑΠΟΣΒΕΣΤΗΡΑΣ	AMORTECEDOR	ISKUNVAIMENNIN
BUFFER DISC	BUFFERPLATE	BUFFERSKIVE	ΔΕΚΟΣ ΑΠΟΣΒΕΣΤΗΡΑ	DISCO DO AMORTECEDOR	PUSKULEVY
BUFFER RING	BUFFERRING	BUFFERRING	ΔΑΚΤΥΛΙΟΣ ΑΠΟΣΒΕΣΤΗΡΑ	ANEL DO AMORTECEDOR	PUSKURENGAS
BULB	PÆRE	PÆRE	ΣΦΑΙΡΙΚΟ ΔΟΧΕΙΟ, ΑΑΜΗΑΚΙ, ΑΜΗΟΥΛΑ	LÂMPADA	POLTTIMO
BUMPER	STØTFANGER	STØDFANGER	ΠΡΟΦΥΛΑΚΤΗΡΑΣ	PÁRA-CHOQUES	PUSKURI
BUMPER BAR	STØTFANGERSTANG	STØDFANGERSTANG	ΜΠΑΡΑ ΠΡΟΦΥΛΑΚΤΗΡΑ	BARRA DO PÁRA-CHOQUES	PUSKURI
BUMPER DRAIN	STØTFANGERDRENERING	STØDFANGERAFLØB	ΑΠΟΧΕΤΕΥΣΗ ΠΡΟΦΥΛΑΚΤΗΡΑ	DRENO DO PÁRA-CHOQUES	PUSKURIN POISTOPUTKI
BUMPER PLATE	STØTFANGERPLATE	STØDFANGERPLADE	ΕΛΑΣΜΑ ΠΡΟΦΥΛΑΚΤΗΡΑ	PLACA DO PÁRA-CHOQUES	PUSKURILEVY
BURN-OUT FILTER	FORBRENNINGSFILTER	FORBRENNINGSFILTER	ΚΑΜΕΝΟ ΦΙΛΤΡΟ	FILTRO DE COMBUSTÃO	POLTOSUODATIN
BUS-BAR	KOPLINGSKINNE	SAMLESKINNE	ΚΕΝΤΡΙΚΟ ΚΥΚΛΩΜΑ ΠΙΝΑΚΑ ΔΙΑΝΟΜΗΣ	BARRAMENTO	KISKO
BUSH	BØSSING	BØSSING	ΑΝΤΙΤΡΙΒΙΚΟΣ ΔΑΚΤΥΛΙΟΣ	CASQUILHO	HOLKKI
BUSH HOLDER	BØSSINGHOLDER	BØSSINGHOLDER	ΣΥΤΚΡΑΤΗΤΗΡΑΣ ΑΝΤΙΤΡΙΒΙΚΟΥ ΔΑΚΤΥΛΙΟΥ	SUPORTE DO CASQUILHO	HOLKINPIDIN
BUSHING	BØSSING	BØSSING	ΑΝΤΙΤΡΙΒΙΚΟΣ ΔΑΚΤΥΛΙΟΣ	CASQUILHO	HOLKKI
BUTTON	KNAPP	KNAP	ΚΟΥΜΠΙ, ΜΗΟΥΤΟΝ	BOTÃO	PAINIKE
BY-PASS VALVE	BYPASSVENTIL	OMLØBSVENTIL	ΒΑΛΒΙΔΑ ΠΑΡΑΚΑΜΠΗΣ	VÁLVULA DE DERIVAÇÃO	OHIITUSVENTTILI
C					
CABLE	KABEL	KABEL	ΚΑΛΩΔΙΟ	CABO	KAAPELI
CABLE BOX	BRYTERSAP	KABELKASSE	ΚΟΥΤΙ ΚΑΛΩΔΙΩΝ	CAIXA DE JUNÇÃO DE CABOS	LITÄNTÄRASIA
CABLE CLAMP	KABELKLEMME	KABELKLEMME	ΣΦΙΚΤΗΡΑΣ ΚΑΛΩΔΙΟΥ	BRAÇADEIRA DO CABO	KAAPELIKENKÄ
CABLE CLEVIS	KABELGAFFEL	KABELGAFFELBOLT	ΑΣΦΑΛΕΙΑ ΚΑΛΩΔΙΟΥ	GANCHO DE SEGURANÇA DO CABO	VETOKAAPELI
CABLE CLIP	KABELKLEMME	KABELKLEMME	ΣΤΗΡΙΓΜΑ ΚΑΛΩΔΙΟΥ	PORTA-CABO	KAAPELIPURISTIN
CABLE CONNECTOR	KABELFORBINDELSE	KABELKONNEKTOR	ΣΥΝΑΕΤΗΡΑΣ ΚΑΛΩΔΙΟΥ	FICHA	KAAPELIN LIITIN
CABLE END	KABELLENDE	KABELLENDE	ΑΚΡΟ ΚΑΛΩΔΙΟΥ	TERMINAL DE CABO	KAAPELIN PÄÄ
CABLE GLAND	KABELPAKNING	KABELKRAVE	ΠΕΡΙΒΑΗΜΑ ΚΑΛΩΔΙΟΥ, ΜΑΝΔΥΑΣ ΚΑΛΩΔΙΟΥ	BUCIM DE CABO	KAAPELIHOLKKI
CABLE GUIDE	KABELFØRER	KABELSTYR	ΟΔΗΓΟΣ ΚΑΛΩΔΙΟΥ	GUIA DE CABO	KAAPELIN OHJAIN
CABLE INLET	KABELINNGANG	KABELINDFØRING	ΕΙΣΟΔΟΣ ΚΑΛΩΔΙΩΝ	ENTRADA DE CABO	KAAPELIN TUULOUKKO
CABLE LUG	KABELSKO	KABELSKO	ΠΟΡΙΠΗ ΚΑΛΩΔΙΟΥ	PATILHA DE CABO	KAAPELIKENKÄ
CABLE PROTECTION	KABELBESKYTTELSE	KABELBESKYTTELSE	ΠΡΟΣΤΑΣΙΑ ΚΑΛΩΔΙΟΥ	PROTECÇÃO DO CABO	JOHDON ERISTE
CABLE STRIP	KABELBÄND	KABELBÄND	ΤΑΙΝΙΑ ΚΑΛΩΔΙΟΥ	TIRA DE CABO	KAAPELISIDE
CABLE TIE	KABELFÆSTE	KABELFÆSTE	ΔΕΤΗΡΑΣ ΚΑΛΩΔΙΟΥ	UNIÃO DE CABO	KAAPELISIDE
CABLE TIE ANCHOR	KABELFÆSTEANKER	KABELFÆSTEANKER	ΔΙΚΥΨΩΣΗ ΔΕΤΗΡΑ ΚΑΛΩΔΙΟΥ	FIXAÇÃO DA UNIÃO DE CABO	KAAPELISITTEEN KIINNITIN

ENGLISH	NEDERLANDS	FRANCAIS	DEUTSCH	ESPAÑOL	SVENSKA	ITALIANO
CAGE	KOOI	CAGE	KÄFIG	JAULA	HÄLLARE	GABBIA
CAGE NUT	KOOIMOER	ECROU PRISONNIER	KÄFIGMUTTER	TUERCA DE LA JAULA	KAPSLAD MUTTER	DADO A INTAGLI
CAM	NOK	CAME	NOCKEN	LEVA	KAM	CAMMA, ECCENTRICO
CAMSHAFT	NOKKENAS	ARBRE A CAMES	NOCKENWELLE	ARBOL DE LEVAS	KAMAXEL	ALBERO A CAMME
CAP	DEKSEL	COUVERCLE	DECKEL	TAPA	LOCK	CAPPELLO
CAP FITTING	BESCHERMHULS	PROTECTION	SCHUTZ	ENCAJE	SKYDD	ACCESSORIO DEL CAPPELLO
CAP NUT	DOPMOER	ECROU-BORGNE	KAPSELMUTTER	TUERCA CIEGA	KUPOLMUTTER	KUPOLOTTO FILETTATO
CAP SCREW	DOPSCHROEF	BOUCHON	KOPFSCHRAUBE	TORNILLO DE CABEZA	INSEXSKRUV	BULLONE SENZA DADO
CAPACITOR	CONDENSATOR	CONDENSATEUR	KONDENSATOR	CONDENSADOR	KONDENSATOR	CONDENSATORE
CAPILL. FILTER	CAPILLAIRE FILTER	FILTRE CAPILLAIRE	KAPILLARFILTER	FILTRO CAPILAR	KAPILLARFILTER	KAPILLO FILTRO CAPILLARE
CARBON	KOOLSTOF	CARBONE	KOHL	CARBÓN	KOL	CARBONIO
CARDAN	CARDAN	CARDAN	CARDAN	CARDÁN	KARDAN	ADATTATORE CARDANICO
CARDAN ADAPTOR	CARDANVERBINDING	RACCORD DE CARDAN	KARDANADAPTER	ADAPTADOR DE CARDÁN	KARDANADAPTER	GIUNTO CARDANICO
CARTRIDGE	PATROON	CARTOUCHE	PATRONE	CARTUCHO	PATRON	CARTUCCIA
CASING	BEHUZZING	BOITIER	GEHÄUSE	BLINDAJE	HÖLJE	CORPO, SCATOLA
CASTLED NUT	KROONMOER	ECROU CRENELE	KRONENMUTTER	TUERCA ENTALLADA	KRONMUTTER	DADO A CORONA
CATALYTIC EXHAUST	UITLAAT MET KATALYSATOR	ECHAPPEMENT A CATALYSEUR	KATALYSATORAUSLASS	ESCAPE CATALÍTICO	KATALYTISK AVGAS	SCARICO CATALITICO
CATCH	PAL	ARRETOIR	SPERRE	FIADOR	SPÄRR	DENTE D'ARRESTO
CENTRE BODY	MIDDENSTUK	PIECE CENTRALE	MITTELSTÜCK	CUERPO CENTRAL	CENTRAL DEL	CORPO CENTRALE
CERAMIC FIBRE	CERAMISCHE VEZEL	FIBRE CERAMIQUE	KERAMIKFASER	FIBRA CERÁMICA	KERAMISK FIBER	FIBRA CERAMICA
CHAIN	KETTING	CHAINE	KETTE	CADENA	KÄTTING	CATENA
CHAIN BOX	KETTINGKAST	BOITIER DE CHAINE	KETTENKASTEN	CAJA DE CADENAS	KEDJEHUS	SCATOLA DELLA CATENA
CHAIN SLING	KETTINGSTROP	ELINGUE	KETTENSCHLINGE	ESTROBO DE CADENA	KEDJESLINGA	IMBRAGATURA DELLA CATENA
CHANNEL WASHER	GROEFRING	RONDELLE	KANALREINIGUNGSANLAGE	LIMPIADOR DE CANALES	KANALBRICKA	RONDELLA DEL CANALE
CHARGER	LADER	CHARGEUR	LADEGERÄT	CARGADOR	LADDARE	CARICATORE
CHARGER BOX	LADERKAST	BOITE DE CHARGEUR	LADEGERÄT	CAJA DEL CARGADOR	LADDNINGSDOSA	SCATOLA DEL CARICATORE
CHARGING AMMETER	AMPEREMETER OPLAADSTROOM	AMPEREMETRE DE CHARGE	AMPEREMETER LADEVORGANG	AMPERÍMETRO DEL CARGADOR	AMPEREMETER LADDARE	AMPEROMETRO DI CARICAMENTO
CHECK NUT	BORGMOER	CONTRE-ECROU	GEGENMUTTER	TUERCA DE SUJECIÓN	LÄSMUTTER	CONTRO-DADO
CHECK VALVE	TERUGSLAGKLEP	CLAPET DE RETENUE	RÜCKSCHLAGVENTIL	VÁLV. DE RETENCIÓN	BACKVENTIL	VALVOLA DI NON-RITORNO
CIRCLIP	KLEMFVEER	CIRCLIP	SPRENGRING	PRESILLA CIRCULAR	LÄSRING	FERMAGLIO CIRCOLARE
CIRCUIT BREAKER	STROOMONDERBREKER	DISJONCTEUR	AUSSCHALTER	DISYUNTOR	KRETSBRYTARE	INTERRUTTORE AUTOMATICO
CLAMP	KLEM	COLLIER	KLEMME	ABRAZADERA	KLÄMMA	MORSETTO
CLAMP NUT	KLEMMOER	ECROU DE SERRAGE	KLEMMUTTER	TUERCA DE ABRAZADERA	KLÄMBULT	DADO DI CHIUSURA
CLAMP RING	KLEMRING	ANNEAU DE SERRAGE	KLEMRING	ANILLO ABRAZADERA	KLÄMRING	ANELLO DI CHIUSURA
CLASP	GESP	FERMETURE	SCHNALLE	HEBILLA	HASP	FERMO
CLAW COUPLING	KLAUWKOPPELING	ACCOUPEMENT A GRIFFES	KLAUENKUPPLUNG	ACPL. DE GARRAS	KLOKOPPLING	INNESTO A DENTI
CLAW GUIDE	KLAUWGELEIDER	GUIDE DE GRIFFE	KLAUENFÜHRUNG	GUÍA DE GARRA	KLOSTYRNING	GUIDA PER GRIFFE
CLEVIS	TREKJUZER	CROCHET	SCHÄKEL	HORQUILLA	GAPPEL	CAVALLOTTO
CLEVIS PIN	KLEMPEN	PIVOT	BOLZEN	PAS. DE HORQUILLA	LEDTAPP	PERNO CON TESTA
CLIP	KLEM	ETRIER	KLEMME	GRAPA	KLÄMMA	FERMAGLIO
CLUTCH	KOPPELING	EMBRAYAGE	KUPPLUNG	EMBRAGUE	KOPPLING	INNESTO
CLUTCH HOUSING	KOPPELINGSHUIS	CARTER, EMBRAYAGE	KUPPLUNGSGEHÄUSE	CAJA DEL EMBRAGUE	KOPPLINGSHUS	ALLOGGIAMENTO DELL'INNESTO
CLUTCH HUB	KOPPELINGSNAAF	MOYEU D'EMBRAYAGE	KUPPLUNGSNABE	CUBO DE EMBRAGUE	KOPPLINGSNAV	MOZZO DELL'INNESTO
CLUTCH SHOE	KOPPELINGSSCOEN	PATIN D'EMBRAYAGE	KUPPLUNGSSCHUH	ZAPATA DE EMBRAGUE	KOPPLINGSKO	CEFFO DELL'INNESTO
COCK	KRAAN	ROBINET	HAHN	GRIFO	KRAN	CANE, RUBINETTO
COIL	SPOEL	BOBINE	SPULE	BOBINA	SPOLE	BOBINA
COLD START	KOUDE START	DEMARRAGE A FROID	KALTSTART	ARRANQUE EN FRÍO	KALLSTART	AVVIAMENTO A FREDDO
COLLAR	KRAAG	EPAULEMENT	RING	COLLARÍN	KRAGE	PIATTELLO, COLLARE
COLLECTOR	COLLECTOR	COLLECTEUR	KOLLEKTOR	COLECTOR	KOLLEKTOR	COLLETTORE
COMBI-COOLER	KOMBI-KOELER	REFROIDISSEUR COMBINE	KOMBI-KÜHLER	REFRIG. COMBINADO	KOMBI-KYLARE	REFRIGERATORE COMBINATO
COMPENSATOR	COMPENSATOR	COMPENSATEUR	KOMPENSATOR	COMPENSADOR	KOMPENSATOR	COMPENSATORE
COMPRESSION RING	COMPRESSIERING	SEGMENT DE COMPRESSION	KOMPRESSIONSRING	ARO DE COMPRESIÓN	KOMPRESSIONSRING	FASCIA ELASTICA DI TENUTA
COMPRESSION SPRING	DRUKVEER	RESSORT DE PRESSION	DRUCKFEDER	RESORTE DE COMPRESIÓN	KOMPRESSIONSFJÄDER	MOLLA DI COMPRESIONE
COMPRESSOR	COMPRESSOR	COMPRESSEUR	KOMPRESSOR	COMPRESOR	KOMPRESSOR	COMPRESSORE
COMPRESSOR ELEMENT	COMPRESSOR	COMPRESSEUR	KOMPRESSORELEMENT	ELEMENTO DE COMPRESOR	KOMPRESSORELEMENT	ELEMENTO DEL COMPRESSORE
COMPRESSOR OIL	COMPRESSOROLIE	HUILE POUR COMPRESSEUR	KOMPRESSORÖL	ACEITE COMPRESOR	KOMPRESSOROLJA	OLIO DEL COMPRESSORE
COMPRESSOR OIL PRESSURE	COMPRESSOROLIEDRUK	PRESSION HUILE DU COMPR.	KOMPRESSORÖLDRUCK	PRESIÓN DEL ACEITE COMPRESOR	KOMPRESSOROLJETRYCK	PRESIONE DELL'OLIO DEL COMPR.
COMPRESSOR SUPPORT	COMPRESSORSTEUN	SUPPORT DE COMPRESSEUR	KOMPRESSORSTÜTZE	SOPORTE DEL COMPRESOR	KOMPRESSORSTÖD	SUPPORTO DEL COMPRESSORE
CONDENSOR	CONDENSOR	CONDENSEUR	KONDENSATOR	CONDENSADOR	KONDENSOR	CONDENSATORE
CONDUIT	LEIDING	CONDUITE	LEITUNG	DUCTO	LEDNING	CONDOTTO
CONDUIT FLANGE	LEIDINGFLENS	BRIDE DE CABLAGE	LETTERFLANSCH	BRIDA DE CONDUCTOS	RÖRFLÄNS	FLANGIA DEL CONDOTTO
CONDUIT GLAND	PAKKINGBUS	PRESSE-ETOUPE	STOPFBÜCHSE	PRENSAESTOPAS	RÖRPACKNING	TENUTA DEL CONDOTTO
CONE	KEGEL	CONE	KEGEL	CONO	KON	CONO
CONICAL PLUG	KEGELVORMIGE PLUG	BOUCHON CONIQUE	KONISCHER STECKER	TAPÓN CÓNICO	KONISK TAPP	SPINA CONICA
CONNECTING BOX	AANSLUITDOOS	BOITE DE RACCORDEMENT	ANSCHLUSSDOSE	CAJA DE EMPALME	KOPPLINGSDOSA	CASSETTA DI GIUNZIONE
CONNECTING CABLE	VERBINDINGSKABEL	CABLE DE CONNEXION	ANSCHLUSSKABEL	CABLE DE CONEXIÓN	KOPPLINGSKABEL	CAVO DI CONNESSIONE
CONNECTING FLEXIBLE	VERBINDINGSSLANG	FLEXIBLE DE RACCORDEMENT	FLEXIBLE VERBINDUNG	ELEMENTO FLEXIBLE DE CONEXIÓN	KOPPLINGSSLANG	FLESSIBILE DI CONNESSIONE
CONNECTING HEAD	AANSLUITING	CONNEXION	ANSCHLUSS	CONEXIÓN	ANSLUTNING	TESTA DI BIELLA
CONNECTING HOSE	VERBINDINGSSLANG	FLEXIBLE DE RACCORDEMENT	VERBINDUNGSSCHLAUCH	MANGUERA DE CONEXIÓN	ANSLUTNINGSSLANG	TUBO FLESSIBILE DI CONNESSIONE
CONNECTING NIPPLE	AANSLUITNIPPEL	DOUILLE DE RACCORDEMENT	ANSCHLUSSNIPPEL	BOQUILLA ACPLADORA DE CONEXIÓN	ANSLUTNINGSNIPPEL	NIPPLO DI CONNESSIONE
CONNECTING PANEL	AANSLUITPANEEL	PANNEAU DE RACCORDEMENT	ANSCHLUSSTAFEL	PANEL DE CONEXIONES	ANSLUTNINGSPANEL	PANNELLO DI CONNESSIONE
CONNECTING PIECE	AANSLUITSTUK	PIECE DE RACCORDEMENT	ANSCHLUSSSTÜCK	PIEZA DE CONEXIÓN	ANSLUTNINGSTYCKE	PEZZO DI GIUNZIONE
CONNECTING PIPE	AANSLUITPIJP	TUYAU DE RACCORDEMENT	ANSCHLUSSROHR	TUBO DE CONEXIÓN	ANSLUTNINGSRÖR	TUBO DI COLLEGAMENTO
CONNECTING PLUG	VERBINDINGSPLUG	FICHE DE CONNEXION	ANSCHLUSSSTECKER	ENCHUFE DE CONEXIÓN	ANSLUTNINGSPLUGG	SPINA DI CONTATTO
CONNECTING PROFILE	VERBINDINGSPROFIEL	PROFIL DE RACCORDEMENT	ANSCHLUSSPROFIL	PERFIL DE CONEXIÓN	ANSLUTNINGSPROFIL	PROFLO DI CONNESSIONE
CONNECTING ROD	DRUFSTANG	BIELLE	PLEUELSTANGE	BIELA	VEVSTAKE	BIELLA
CONNECTING SOCKET	VERBINDINGSMOF	DOUILLE DE RACCORDEMENT	ANSCHLUSSSTUTZEN	UNIÓN DE BRIDA Y MANGUITO	ANSLUTNINGSHYLSA	PRESA DI CONTATTO
CONNECTING TAG	VERBINDINGSSSTRIP	LANGUETTE DE RACCORDEM.	ANSCHLUSSSTÜCK	MARCA DE CONEXIÓN	ANSLUTNINGSSSTIFT	CAPOCORDA DI CONNESSIONE
CONNECTING TUBE	VERBINDINGSSTEUN	TUYAU DE RACCORDEMENT	ANSCHLUSSROHR	TUBO DE CONEXIÓN	ANSLUTNINGSRÖR	TUBO DI CONNESSIONE
CONNECTION	AANSLUITING	CONNEXION	ANSCHLUSS	CONEXIÓN	ANSLUTNING	COLLEGAMENTO
CONNECTOR	CONNECTOR	CONNECTEUR	KLEMME	CONNECTOR	KONTAKTDON	CONNETTORE
CONNECTOR CAP	CONNECTORDOP	CHAPE DE CONNECTEUR	ANSCHLUSSKAPPE	CUBIERTA DEL CONECTOR	KONTAKTLOCK	CAPPELLO CONNETTORE
CONNECTOR PANEL	CONNECTORPANEEL	PANNEAU DE CONNECTEUR	KLEMMENLEISTE	PANEL DEL CONECTOR	KONTAKTPANEL	PANNELLO DI CONNESSIONE
CONNECTOR PLATE	CONNECTORPLAAT	PLAQUE DE CONNECTEUR	ANSCHLUSSPLATTE	PLACA DEL CONECTOR	KONTAKTPLÁT	PIASTRA DI CONNESSIONE
CONTACT	CONTACT	CONTACT	KONTAKT	CONTACTO	KONTAKT	CONTATTO
CONTACT KEY	CONTACTSLEUTEL	CLE DE CONTACT	KONTAKTSCHLÜSSEL	LLAVE DE CONTACTO	KONTAKTNYCKEL	CHIAVE DI CONTATTO
CONTACT SCREW	CONTACTSCHROEF	VIS DE CONTACT	KONTAKTSCHRAUBE	TORNILLO DE CONTACTO	KONTAKTSKRUV	VITE DI CONTATTO
CONTACT WASHER	CONTACTPLAATJE	RONDELLE DE CONTACT	KONTAKTPLÄTTCHEN-/SCHEIBE	ARANDELA, CONTACTO	KONTAKTBRICKA	RONDELLA DI CONTATTO
CONTACTOR	SCHAKELAAR	CONTACTEUR	SCHALTER	CONTACTOR	BRYTARE	CONTATTORE
CONTAINER	CONTAINER	CONTENEUR	BEHÄLTNER	CONTÁINER	BEHÅLLARE	RECIPIENTE
CONTROL BOX	CONTROLEKAST	ARMOIRE DE COMMANDE	SCHALTKASTEN	ARMARIO DE MANDO	MANÖVERSKÅP	REGOLATORE DI TENSIONE
CONTROL CUBICLE	INSTRUMENTENKAST	ARMOIRE A INSTRUMENTS	SCHALTSCHRANK	CUBÍCULO DE MANDO	KONTROLLSKÅP	KONTROLLO DELLE APPAR. DI COMANDO
CONTROL LAMP	CONTROLELAMP	VOYANT	KONTROLLLAMPE	LÁMPARA TESTIGO	KONTROLLLAMP	SPIA DI CONTROLLO
CONTROL MODULE	STUURMODULE	MODULE DE COMMANDE	STEUERMODUL	MÓDULO DE MANDO	KONTROLLMODUL	MÓDULO DI COMANDO
CONTROL PANEL	BEDIENINGSBORD	PANNEAU DE COMMANDE	SCHALTAFEL	PANEL DE MANDO	MANÖVERPANEL	PANNELLO DI CONTROLLO
CONTROL UNIT	CONTROLEPANEEL	TABLEAU DE COMMANDE	STEUERTAFEL	CUADRO DE MANDO	KONTROLLENHET	UNITÀ DI CONTROLLO
CONTROL VALVE	REGELKLEP	SOUPAPE DE COMMANDE	REGELVENTIL	VÁLV. DE MANDO	REGLERVENTIL	VALVOLA DI CONTROLLO
CONTROL VOLTAGE	STUURSPANNING	TENSION DE COMMANDE	STEUERSPANNUNG	VOLTAJE DE MANDO	MANÖVERSPÄNNING	TENSIONE DI CONTROLLO
COOLANT LEVEL SENSOR	SENSOR KOELVLVOEISTOF	CAPTEUR NIV. REFRIGÉRISSANT	KÜHLMITTEL FÜLLSTANDSSENSOR	SENSOR DE NIVEL DEL REFRIGERANTE	KYLVÄNIVÄIVARE	SENSORE DI LIVELLO DEL REFRIGERANTE

ENGLISH	NORSK	DANSK	ΕΛΛΗΝΙΚΑ	PORTUGUÊS	SUOMI
CAGE	BUR	HOLDER	ΚΑΩΒΟΣ	GAIOLA	KEHIKKO
CAGE NUT	KAPSLÆT MUTTER	MØTRIK TIL HOLDER	ΚΑΩΒΟΤΟ ΠΕΡΙΚΟΧΑΙΟ	PORCA DA GAIOLA	VAIPAMUTTERI
CAM	KAM	KAM	ΕΚΚΕΝ ΤΡΟ	CAME	NOKKA
CAMSHAFT	KAMAKSEL	KAMAKSEL	ΕΚΚΕΝ ΤΡΟΦΟΡΟΣ ΑΞΟΝΑΣ	ÁRVORE DE CAMES	NOKKA-AKSELI
CAP	HETTE	LÅS	ΚΑΠΑΚΙ ΣΚΕΠΤΑΣΜΑ ΣΚΕΠΤΑΣΤΡΟ	TAMPA	KANSI
CAP FITTING	BESKYTTELSEDEKSEL	LÅSEENDSAT	ΣΚΕΠΤΑΣΤΟ ΕΞΑΡΤΗΜΑ	ACESSÓRIO DA TAMPA	SUOJAKANSI
CAP NUT	HETTEMUTTER	LÅSEMØTRIK/TOPMØTRIK	ΣΚΕΠΤΑΣΤΟ ΠΕΡΙΚΟΧΑΙΟ	PORCA DA TAMPA	UMPMUTTERI
CAP SCREW	INNVEDIG SEKSKANTSKRUE	LÅSESKRUE/CYLINDERSKRUE	ΣΚΕΠΤΑΣΤΟΣ ΚΟΧΛΙΑΣ	PARAFUSO DA TAMPA	KANTARUUVI
CAPACTOR	KONDENSATOR	KONDENSATOR	ΠΥΚΝΩΤΗΣ	CONDENSADOR	KONDENSAATTORI
CAPILL. FILTER ASS'Y	KAPILLÆRFILTER	KAPILLERFILTERSÆT	ΣΥΣΤΗΜΑ ΤΡΙΧΟΕΙΛΟΥΣ ΦΙΛΤΡΟΥ	CONJUNTO DE FILTRO CAPILAR	KAPILLAARIUODATIN
CARBON	KULL	KUL	ΑΝΘΡΑΚΑΣ	CARBONO	HILII
CARDAN	KARDANG	KARDAN	ΚΑΡΝΤΑΝ	JUNTA UNIVERSAL	KARDAANI
CARDAN ADAPTOR	KARDANGADAPTER	KARDANADAPTER	ΠΡΟΣΑΡΜΟΓΕΑΣ ΚΑΡΝΤΑΝ	ADAPTADOR DE JUNTA UNIVERSAL	KARDAANIN SOVITIN
CARTRIDGE	INNSATS	PATRON	ΦΥΣΓΙΓΓΙΟ, ΦΥΣΓΙΓΓΑ	CARTUCHO	PATRUUNA
CASING	HUS	KAPPE	ΚΕΛΥΦΟΣ, ΠΕΡΙΒΛΗΜΜΑ	INVÓLUCRO	SUJUOS
CASTLED NUT	KRONEMUTTER	KRONEMØTRIK	ΠΥΡΡΙΩΤΟ ΠΕΡΙΚΟΧΑΙΟ, ΠΥΡΡΙΩΤΟ ΠΛΑΣΤΙΜΑΔΙ	PORCA DE COROA	KRUUNUMUTTERI
CATALYTIC EXHAUST	KATALYSATOR	KATALYSATOR	ΚΑΤΑΛΥΤΙΚΗ ΕΞΑΤΜΗΣΗ	DESCARGA CATALÍTICA	KATALYSAATTORIPAKOPUTKISTO
CATCH	SPÆRRE	SPÆRRE	ΑΡΠΑΓΗ	FERROLHO	SALPA
CENTRE BODY	MIDTDEL	CENTRAL DEL	ΚΕΝΤΡΙΚΟ ΣΩΜΑ	CORPO CENTRAL	KESKIOSA
CERAMIC FIBRE	KERAMIKKFIBER	KERAMISK FIBER	ΚΕΡΑΜΙΚΕΣ ΙΝΕΣ	FIBRA CERÁMICA	KERAAMINEN KUITU
CHAIN	KJETTING	KÆDE	ΑΛΥΣΙΑ	CORRENTE	KETJU
CHAIN BOX	KJEDEKASSE	KÆDEKASSE	ΚΙΒΩΤΙΟ ΑΛΥΣΙΑΣ	CAIXA DE CORRENTE	KETJUKOTTELO
CHAIN SLING	KJETTINGSTROPP	KÆDESTROP	ΑΟΡΤΗΡΑΣ ΑΛΥΣΙΑΣ	ESTROPO DE CORRENTE	KETJURAKSI
CHANNEL WASHER	KANALSKIVE	KANALSKIVE	ΑΥΛΑΚΩΤΗ ΡΟΔΕΛΑ	DISPOSITIVO DE LIMPEZA DE CANAL	URITETTU ALUSLAATTA
CHARGER	LASTER	LADER	ΦΟΡΤΗΣΗΣ	CARREGADOR	LATURI
CHARGER BOX	LADEBOKS	LADEBOKS	ΚΙΒΩΤΙΟ ΦΟΡΤΗΣΗΣ	CAIXA DO CARREGADOR	LATURIKOTTELO
CHARGING AMMETER	LADEAMPEREMETER	LADEAMPEREMETER	ΑΜΠΕΡΟΜΕΤΡΟ ΦΟΡΤΗΣΗΣ	AMPERÍMETRO DE CARGA	LATAUSVIIRAN AMPEERIMITTARI
CHECK NUT	LÅSEMUTTER	KONTRAMØTRIK	ΚΟΝΤΡΑ ΠΕΡΙΚΟΧΑΙΟ, ΚΟΝΤΡΑ ΠΛΑΣΤΙΜΑΔΙ	PORCA DE APERTO (CONTRAPORCA)	LUKKOMUTTERI
CHECK VALVE	TILBAKESLAGSVENTIL	KONTROLVENTIL	ΑΝΤΙΠΙΣΤΡΟΦΗ ΒΑΒΛΙΑ	VÁLVULA ANTI RETORNO	TAKAISUVENTTIILI
CIRCLIP	LÅSERING	LÅSERING	ΑΣΦΑΛΙΣΤΙΚΟΣ ΠΑΡΑΚΥΚΛΟΣ	ANEL DE RETENÇÃO	LUKKORENGAS
CIRCUIT BREAKER	KRETSBRYTER	STRØMafbryder	ΑΣΦΑΛΙΣΤΙΚΟ ΚΟΠΤΗΣ	DISJUNTOR	VIIRANKATKAISIN
CLAMP	KLEMMER	KLEMMER	ΣΦΟΚΤΗΡΑΣ	BRACEDEIRA	KIINNITIN
CLAMP NUT	KLEMMEMUTTER	SPÆNDEMØTRIK	ΠΕΡΙΚΟΧΑΙΟ ΣΦΟΚΤΗΡΑ	PORCA DE SEGURANÇA	KIRISTINMUTTERI
CLAMPING RING	FESTERING	KLEMRING	ΑΚΤΥΑΙΟΣ ΣΥΜΠΛΗΡΩΣΗΣ	ANEL DE FIXAÇÃO	KIRISTYSRENGAS
CLASP	HASPE	KRAMPE/SPÆNDE	ΑΡΠΑΓΗ	GARRA	HAKA
CLAW COUPLING	KLOKOPLING	KLOSAMLING	ΣΥΝΔΕΣΜΟΣ ΣΙΑΓΟΝΩΝ	ACOPLAMENTO DE GARRAS	KYNSIKIINNITIN
CLAW GUIDE	KLOSTYRING	KLOSTYR	ΟΔΗΓΟΣ ΣΙΑΓΟΝΩΝ	GUIA DE GARRA	KYNNEN OHJAIN
CLEVIS	SJAKKEL	GAFFEL	ΑΣΦΑΛΕΙΑ	FORQUILHA	HAARUKKA
CLEVIS PIN	SJAKKELBOLT	GAFFELSTIFT	ΠΕΡΙΟΣ ΑΣΦΑΛΙΣΗΣ	PINO DA FORQUILHA	TAPPI
CLIP	KLEMMER	KLEMMER	ΑΒΛΙΑ	PINÇA	PIDIKE
CLUTCH	CLUTCH	KOBLING	ΣΥΜΠΛΗΚΤΗΣ	EMBRAIAGEM	KYTKIN
CLUTCH HOUSING	KOPLINGSBUS	KOBLINGSKASSE	ΚΕΛΥΦΟΣ ΣΥΜΠΛΗΚΤΗΣ	CAIXA DE EMBRAIAGEM	KYTKINKOTTELO
CLUTCH HUB	KOPLINGSNAV	KOBLINGSNAV	ΠΛΗΜΝΗΣ ΣΥΜΠΛΗΚΤΗΣ	CUBO DE EMBRAIAGEM	KYTKINNAPA
CLUTCH SHOE	KOPLINGSSKO	KOBLINGSSKO	ΣΙΑΓΩΝΑ ΣΥΜΠΛΗΚΤΗΣ	PASTILHA DA EMBRAIAGEM	KYTKINKENKÄ
COCK	KRAN	HANE	ΔΙΚΑΕΙΑ	TORNEIRA	HANA
COIL	SPOLE, COIL	SPOLE	ΠΗΛΙΟ	BOBINA	KELA, KÄÄMI
COLD START	KALDSTART	KOLDSTART	ΨΥΧΡΗ ΕΚΚΙΝΗΣΗ	ARRANQUE A FRIO	KYLMÄKÄYNNISTYS
COLLAR	MANSJETT	KRAVE	ΚΟΛΛΑΡΟ	ARO	KAULUIS
COLLECTOR	KOLLEKTOR	STRØMMAFTAGER	ΣΥΛΛΕΚΤΗΣ	COLECTOR	KOLLEKTORI
COMBI-COOLER	KOMBIKJØLER	KOMBI-AFKØLER	ΨΥΚΤΗΣ ΣΥΝΔΥΑΣΜΕΝΗΣ ΛΕΙΤΟΥΡΓΙΑΣ	REFRIGERADOR COMBINADO	YHDISTELMÄJÄÄHDYTTIN
COMPENSATOR	KOMPENSATOR	KOMPENSATOR	ΑΝΤΕΛΑΘΜΙΣΤΗΣ	COMPENSADOR	TASAUUSLAITE
COMPRESSION RING	KOMPRESSJONSRING	KOMPRESSJONSRING	ΔΑΚΤΥΛΙΟΣ ΣΥΜΠΙΕΣΗΣ	SEGMENTO DE COMPRESSÃO	PURISTUSRENGAS
COMPRESSION SPRING	TRYKKFJÆR	KOMPRESSJONSFJEDER	ΕΛΑΣΤΗΡΙΟ ΣΥΜΠΙΕΣΗΣ	MOLA DE COMPRESSÃO	PURISTUSJOUSI
COMPRESSOR	KOMPRESSOR	KOMPRESSOR	ΣΥΜΠΙΕΣΤΗΣ	COMPRESSOR	KOMPRESSORI
COMPRESSOR ELEMENT	KOMPRESSORELEMENT	KOMPRESSORELEMENT	ΣΤΟΙΧΕΙΟ ΣΥΜΠΙΕΣΤΗΣ	ELEMENTO DO COMPRESSOR	KOMPRESSORIELEMENTTI
COMPRESSOR OIL	KOMPRESSOROLIE	KOMPRESSOROLIE	ΕΛΑΙΟ ΣΥΜΠΙΕΣΤΗΣ	ÓLEO DO COMPRESSOR	KOMPRESSORIÖLJY
COMPRESSOR OIL PRESSURE	KOMPRESSOROLIETRYKK	KOMPRESSOROLIETRYK	ΠΙΕΣΗ ΕΛΑΙΟΥ ΣΥΜΠΙΕΣΤΗΣ	PRESSÃO DO ÓLEO DO COMPRESSOR	KOMPRESSORIN ÖLJYNPAINE
COMPRESSOR SUPPORT	KOMPRESSORSTØTTE	KOMPRESSORSTØTTE	ΒΑΣΗ ΣΥΜΠΙΕΣΤΗΣ	APOIO DO COMPRESSOR	KOMPRESSORIN KANNATIN
CONDENSOR	KONDENSATOR	KONDENSATOR	ΣΥΜΠΥΚΝΩΤΗΣ	CONDENSADOR	LAUHUTIN
CONDUIT	LEDNING	KABEL	ΑΓΩΓΟΣ	CONDUTA	PUTKIOHTO
CONDUIT FLANGE	LEDNINGSFLENS	KONDENSATORFLANGE	ΦΑΑΝΤΖΑ	FLANGE DE CONDUTA	PUTKIOHDON LAIPPA
CONDUIT GLAND	LEDNINGSPAKNING	KABELKRAVE	ΜΟΝΩΣΗ ΑΓΩΓΟΥ	CASQUILHO DE CONDUTA	PUTKIOHDON TIIVISTYSHOLKKI
CONE	KONUS	KONUS	ΚΩΝΟΣ	CONE	KARTIO
CONICAL PLUG	KONISK PLEGG	KEGLEFORMET STIK	ΚΩΝΙΚΟ ΒΥΣΜΑ	TAMPÃO CÓNICO	KARTIOTULPPA
CONNECTING BOX	KOPLINGSBOKS	TILSLUTNINGSDÅSE/STIKDÅSE	ΚΟΥΤΙ ΣΥΝΔΕΣΗΣ	CAIXA DE DERIVAÇÃO	KYTKENTÄRASIA
CONNECTING CABLE	TILKOPLINGSKABEL	TILSLUTNINGSKABEL	ΣΥΝΔΕΤΙΚΟ ΚΑΛΩΔΙΟ	CABO DE LIGAÇÃO	YHDYSKAAPELI
CONNECTING FLEXIBLE	FLEKSIBEL TILKOPLING	FLEKSIBEL TILSLUTNING	ΕΥΚΑΜΠΤΟΣ ΣΥΝΔΕΣΜΟΣ	UNIÃO FLEXÍVEL	YHDYSLETKU
CONNECTING HEAD	TILKOPLING	TILSLUTNING	ΚΕΦΑΛΗ ΣΥΝΔΕΣΗΣ	FICHA	LITÄNTÄ
CONNECTING HOSE	TILKOPLINGSSLANG	TILSLUTNINGSSLANG	ΕΛΑΣΤΙΚΟΣ ΣΩΛΗΝΑΣ ΣΥΝΔΕΣΗΣ	TUBO DE LIGAÇÃO	YHDYSLETKU
CONNECTING NIPPLE	TILKOPLINGSNIPP	TILSLUTNINGSNIPP	ΣΥΝΔΕΤΙΚΟΣ ΜΑΣΤΟΣ	BOCAL DE UNIÃO	LITINNIPPA
CONNECTING PANEL	KOPLINGSANEL	TILSLUTNINGSPANEL	ΠΙΝΑΚΑΣ ΣΥΝΔΕΣΗΣ	PAINEL DE DERIVAÇÃO	KYTKENTÄTAULU
CONNECTING PIECE	TILKOPLINGSSTYKKE	TILSLUTNINGSDEL	ΤΜΗΜΑ ΣΥΝΔΕΣΗΣ	FICHA	YHDYSKAPPAALE
CONNECTING PIPE	TILKOPLINGSRØR	TILSLUTNINGSRØR	ΣΩΛΗΝΑΣ ΣΥΝΔΕΣΗΣ	TUBO DE LIGAÇÃO	YHDYSPUTKI
CONNECTING PLUG	TILKOPLINGSPLUGG	TILSLUTNINGSPLEGG	ΣΥΝΔΕΤΙΚΟ ΒΥΣΜΑ	FICHA DE LIGAÇÃO	PISTOKE
CONNECTING PROFILE	TILKOPLINGSPROFIL	TILSLUTNINGSPROFIL	ΣΥΝΔΕΤΙΚΟ ΕΞΑΡΤΗΜΑ	PERFIL DE LIGAÇÃO	YHDYSPROFILI
CONNECTING ROD	VEIVSTANG	TRÆKSTANG/FORBINDELSSTANG	ΠΑΒΟΣ ΣΥΝΔΕΣΗΣ	BIELA / BARRA DE UNIÃO	KIERTOKANKI
CONNECTING SOCKET	TILKOPLINGSFESTE	TILSLUTNINGSSTIK	ΥΠΟΔΟΧΗ ΣΥΝΔΕΣΗΣ	TOMADA DE LIGAÇÃO	LITÄNTÄVASTAKE
CONNECTING TAG	TILKOPLINGSMERKE	TILSLUTNINGSKABELSKO	ΣΥΝΔΕΤΙΚΟ ΠΙΠΕΡΥΓΙΟ	ETIQUETA DE LIGAÇÃO	YHDYSLEUSKA
CONNECTING TUBE	TILKOPLINGSRØR	TILSLUTNINGSRØR	ΣΥΝΔΕΤΙΚΟΣ ΣΩΛΗΝΑΣ	TUBO DE LIGAÇÃO	YHDYSLETKU
CONNECTION	TILKOPLING	TILSLUTNING	ΣΥΝΔΕΣΗ	UNIÃO	LITÄNTÄ
CONNECTOR	KONTAKT	MUFFE/FORBINDELSKLEMMER	ΣΥΝΔΕΤΗΡΑΣ, ΚΟΝΕΚΤΟΡΑΣ	FICHA	LITIN
CONNECTOR CAP	TILKOPLINGSHETTE	TILKOPLINGSHETTE	ΚΑΛΥΜΜΑ ΣΥΝΔΕΤΗΡΑ	CAPA DO DISPOSITIVO DE JUNÇÃO	LITTIMEN KANSI
CONNECTOR PANEL	TILKOPLINGSANEL	TILKOBLINGSANEL	ΠΙΝΑΚΑΣ ΣΥΝΔΕΤΗΡΑ	PAINEL DO DISPOSITIVO DE JUNÇÃO	LITÄNTÄPANEELI
CONNECTOR PLATE	TILKOBLINGSPLATE	TILKOBLINGSPLADE	ΠΛΑΚΑ ΣΥΝΔΕΤΗΡΑ	PLACA DO DISPOSITIVO DE JUNÇÃO	LITÄNTÄLEVY
CONTACT	KONTAKT	KONTAKT	ΕΠΑΦΗ	CONTACTO	KOSKETIN
CONTACT KEY	TENNINGSNØKKEL	KONTAKTNØGLE	ΚΑΛΕΙ ΑΠΑΦΗΣ	CHAVE DE CONTACTO	KÄYNNISTYSVAAN
CONTACT SCREW	KONTAKTSKRUE	KONTAKTSKRUE	ΚΟΧΛΙΑΣ ΕΠΑΦΗΣ	PARAFUSO DE CONTACTO	LITINRUUVI
CONTACT WASHER	KONTAKTSKIVE	KONTAKTSPÆNDESKIVE	ΡΟΔΕΛΑ ΕΠΑΦΗΣ	ANILHA DE CONTACTO	KOSKETINLEVY
CONTACTOR	KONTAKTOR	KONTAKTOR	ΕΠΑΦΕΑΣ	CONTACTOR	KONTAKTORI
CONTAINER	BEHOLDER	BEHOLDER	ΔΟΧΕΙΟ	CONTENTOR	SÄILIÖ
CONTROL BOX	KONTROLLSKAP	KONTROLBOKS	ΚΙΒΩΤΙΟ ΕΛΕΓΧΟΥ	CAIXA DE COMANDO	OHJAUSKOTTELO
CONTROL CUBICLE	KONTROLLKABINETT	KONTROLLSKAB	ΚΟΥΒΟΥΚΛΙΟ ΕΛΕΓΧΟΥ	ARMÁRIO DE COMANDO	OHJAUSKAAPPI
CONTROL LAMP	KONTROLLAMPE	KONTROLLAMPE	ΑΥΧΝΙΑ ΕΛΕΓΧΟΥ	LÂMPADA DE CONTROLE	MERKKIVALO
CONTROL MODULE	KONTROLLMODUL	KONTROLLMODUL	ΜΟΝΑΔΑ ΕΛΕΓΧΟΥ, ΣΥΣΤΗΜΑ ΕΛΕΓΧΟΥ	MÓDULO DE COMANDO	OHJAINLAITE
CONTROL PANEL	KONTROLLPANEL	KONTROLLPANEL	ΠΙΝΑΚΑΣ ΕΛΕΓΧΟΥ	PAINEL DE COMANDO	OHJAUSTAULU
CONTROL UNIT	KONTROLLENHET	KONTROLLENHED	ΜΟΝΑΔΑ ΕΛΕΓΧΟΥ, ΣΥΣΤΗΜΑ ΕΛΕΓΧΟΥ	UNIDADE DE COMANDO	OHJAUSYKSIKÖ
CONTROL VALVE	REGULERINGSVENTIL	KONTROLVENTIL	ΒΑΒΛΙΑ ΕΛΕΓΧΟΥ	VÁLVULA DE CONTROLE	SÄÄTÖVENTTIILI
CONTROL VOLTAGE	STYRESPENNING	KONTROLSPÆNDING	ΤΑΣΗ ΕΛΕΓΧΟΥ	TENSÃO DE CONTROLE	SÄÄTÖÄNNITE
COOLANT LEVEL SENSOR	KJØLEVÆSKENIVÅSENSOR	KØLEVÆSKENIVEAUSENSOR	ΑΙΣΘΗΤΗΡΑΣ ΣΤΑΘΜΗΣ ΨΥΚΤΙΚΟΥ ΥΓΡΟΥ	SENSOR DO NÍVEL DO LÍQ. DE REFR.	JÄÄHDYTYSNESTEEN ANTURI

ENGLISH	NEDERLANDS	FRANCAIS	DEUTSCH	ESPAÑOL	SVENSKA	ITALIANO
COOLER	KOELER	REFROIDISSEUR	KÜHLER	REFRIGERADOR	KYLARE	REFRIGERATORE
COOLER ADAPTOR	VERBINDINGSSTUK KOELER	ADAPTATEUR REFROIDISSEUR	KÜHLERADAPTER	ADAPTADOR DEL REFRIGERANTE	KYLARADAPTER	ADATTATORE DEL REFRIGERATORE
COOLER CORE	KOELERKERN	NOYAU DE REFROIDISSEMENT	KÜHLERKERN	NÚCLEO DEL REFRIG.	KYLARKÄRNA	MASSA RADIANTE REFRIG
COOLER COVER	KOELERDEKSEL	COUVERCLE DE REFROIDISS.	KÜHLERABDECKUNG	CUBIERTA DEL REFRIG	KYLARLOCK	COPERCHIO DEL REFRIGERATORE
COOLER ELEMENT	KOELERELEMENT	ELEMENT REFROIDISSEUR	KÜHLERELEMENT	ELEMENTO DEL REFRIG	KYLARELEMENT	ELEMENTO REFRIGERATORE
COOLER FRAME	KOELERFRAME	CHASSIS REFROIDISSEUR	KÜHLERRAHMEN	MARCO DEL REFRIGERANTE	KYLARRAM	TELAIO DEL REFRIGERANTE
COOLER HOUSING	KOELERHUIS	CARTER REFROIDISSEUR	KÜHLERGEHÄUSE	CAJA DEL REFRIG	KYLARHUS	ALLOGGIAMENTO REFRIG
COOLER PACK	KOELER	JEU REFROIDISSEUR	KÜHLERSATZ	CONJUNTO DEL REFRIGERANTE	KYLARPAKET	CONTENITORE DEL REFRIGERATORE
COOLER PLATE	KOELPLAAT	PLAQUE DE REFROIDISSEUR	KÜHLERPLATTE	PLACA DEL REFRIGERANTE	KYLARPLÅT	PIASTRA DEL REFRIGERANTE
COOLER SHELL	KOELERMANTEL	ENVELOPPE DE REFROIDISS.	KÜHLERMANTEL	CASCO DEL REFRIG	KYLARHÖLJE	MANTELO DEL REFRIGERATORE
COOLER SUPPORT	STEUN KOELER	SUPPORT DE REFROIDISSEUR	KÜHLERSTÜTZE	SOPORTE DEL REFRIGERANTE	KYLARSTÖD	SUPPORTO DEL REFRIGERANTE
COOLER TUBE	KOELBUIS	TUYAU DE REFROIDISSEUR	KÜHLERROHR	TUBO DEL REFRIGERANTE	KYLARRÖR	TUBO DEL REFRIGERANTE
COOLING DUCT	KOELKANAAL	CANAL DE REFROIDISSEUR	KÜHLKANAL	CONDUCTO DE REFRIG	KYLARLEDNING	CONDOTTO DI RAFFREDDAMENTO
COOLING ELEMENT	KOELELEMENT	ELEMENT REFROIDISSEUR	KÜHLELEMENT	ELEMENTO DE REFRIG	KYLARELEMENT	ELEMENTO DI RAFFREDDAMENTO
COOLING UNIT	KOELER	GROUPE REFROIDISSEUR	KÜHLER	UNIDAD DE REFRIG	KYLARE	UNITÀ DI RAFFREDDAMENTO
COPNUT	KEGELMOER	ECROU	KAPSELNUTTER	TUERCA DE CANILLAS	SPOLMUTTER	DADO DELLA BOBINA
CORD	PAKKINGSNOER	FICELLE OBTURATRICE	DICHTUNGSSCHNUR	CUERDA DE JUNTA	TÄTNINGSGARN	CORDONE
CORE	KERN	NOYAU	KERN	NÚCLEO	KÄRNA	NUCLEO
CORE PLUG	KERNPLUG	BOUCHON DU NOYAU	KERNSTOPFEN	TAPÓN TUBULAR	KÄRNPLUGG	TAPPO DELLA MASSA RADIANTE
CORK JOINT	KURKVERBINDING	JOINT DE LIEGE	KORKVERBINDUNG	CORDON DE CORCHO	KORKLED	GIUNTO IN SUGHERO
CORNER	HOEK	ANGLE	ECKE	ESQUINA	HÖRN	ANGOLO
CORNER PANEL	HOEKPANEEL	PANNEAU ANGULAIRE	ECKBLECH	PANEL ANGULAR	HÖRNPANEL	PANNELLO ANGOLARE
CORNER SHELL	HOEKPANEEL	ENVELOPPE ANGULAIRE	ECKSTÜCK	REVESTIMIENTO DE ESQUINAS	HÖRNSKAL	GUSCIO AD ANGOLO
CORROSION RESISTOR	CORROSIEWEREND MIDDEL	RESISTANCE ANTI-CORROSION	KORROSIONSSCHUTZ	RESISTENCIA DE CORROSIÓN	KORROSIONSMOTSTÅND	RESISTENZA ALLA CORROSIONE
COUNTER WEIGHT	TEGENGEWICHT	CONTREPOIDS	GEGENGEWICHT	CONTRAPESO	MOTVIKT	CONTRAPPESO
COUPLING	KOPPELING	ACCOUPEMENT	KUPPLUNG	ACOPAMIENTO	KOPPLING	GIUNTO
COUPLING ADAPTOR	KOPPELINGSVERBINDING	ADAPTATEUR D'ACCOUPL.	KUPPLUNGSADAPTER	ADAPTADOR DE ACOPLAM.	KOPPLINGSADAPTER	ADATTATORE DEL GIUNTO
COUPLING BOX	KOPPELMOF	DOUILLE D'ACCOUPEMENT	KUPPLUNGSSCHEIBE	CAJA DE ACOPL.	KOPPLINGSBOX	MANICOTTO D'ACCOPIAMENTO
COUPLING DISK	KOPPELINGSSCHIJF	DISQUE D'ACCOUPEMENT	KUPPLUNGSSCHEIBE	DISCO DE ACOPL.	KOPPLINGSKIVA	DISCO D'ACCOPIAMENTO
COUPLING DRIVER	AANDRIJVING KOPPELING	ENTRAINEUR D'ACCOUPL.	KUPPLUNGSTREIBER	ACCIONADOR ACOPL.	KOPPL. MEDBRING	ELEMENTO CONDUTTORE DEL GIUNTO
COUPLING ELEMENT	KOPPELINGSELEMENT	ELEMENT D'ACCOUPEMENT	KUPPLUNGSELEMENT	ELEMENTO DE ACOPL.	KOPPLINGSSELEMENT	ELEMENTO D'ACCOPIAMENTO
COUPLING FLANGE	KOPPELINGSFLENS	BRIDE D'ACCOUPEMENT	KUPPLUNGSFLANSCH	BRIDA DE ACOPL.	KOPPLINGSFLÄNS	FLANGIA D'ACCOPIAMENTO
COUPLING GUARD	KOPPELINGSSCHERM	PROTECTEUR D'ACCOUPL.	KUPPLUNGSSCHUTZ	PROTECTOR DE ACOPL.	KOPPLINGSKYYD	PROTEZIONE DEL GIUNTO
COUPLING HALF	KOPPELINGSHELFT	DEMI-ACCOUPEMENT	KUPPLUNGSHÄLFTE	SEMIACOPLAMIENTO	KOPPLINGSHALVA	SEMI-GIUNTO
COUPLING HEAD	KOPPELINGSHOOFD	TETE D'ACCOUPEMENT	KUPPLUNGSKOPF	CABEZA DE ACOPLAMIENTO	KOPPLINGSHUVD	TESTA DEL GIUNTO
COUPLING HOUSING	KOPPELINGSHUIS	CARTER D'ACCOUPEMENT	KUPPLUNGSGEHÄUSE	RECINTO DEL ACOPL.	KOPPLINGSHUS	ALLOGGIAMENTO DEL GIUNTO
COUPLING HUB	KOPPELINGSNAAF	MOYEU D'ACCOUPEMENT	KUPPLUNGSNABE	CUBO DE ACOPL.	KOPPLINGSNAV	MOZZO DEL GIUNTO
COUPLING LINK	KOPPELHAAK	JOINT D'ACCOUPEMENT	KUPPELGLIED	GANCHO DE TRACCIÓN	KOPPLINGSLÄNK	MAGLIONE
COUPLING NUT	KOPPELINGSMOER	ECROU D'ACCOUPEMENT	KUPPLUNGSMUTTER	TUERCA DE ACOPL.	KOPPLINGSMUTTER	DADO D'ACCOPI.
COUPLING PLATE	KOPPELINGSPLAAT	PLAQUE D'ACCOUPEMENT	KUPPLUNGSPLATTE	PLACA DE ACOPL.	KOPPLINGSPLÅT	PIASTRA D'ACCOPIAMENTO
COUPLING PLUG	KOPPELINGSPLUG	BOUCHON D'ACCOUPEMENT	KUPPLUNGSSTOPFEN	TAPÓN DE ACOPL.	KOPPLINGSPROPP	SPINA D'ACCOPI.
COUPLING RING	KOPPELINGSRING	ANNEAU D'ACCOUPEMENT	KUPPLUNGSRING	ANILLO DE ACOPL.	KOPPLINGSRING	ANELLO DI UNIONE
COVER	DEKSEL	COUVERCLE	DECKEL	TAPA	KÅPA	COPERCHIO
COVER FLANGE	DEKSELFLENS	BRIDE DE COUVERCLE	DECKELFLANSCH	BRIDA DE TAPA	LOCKFLÄNS	FLANGIA DEL COPERCHIO
COVER FRONT	DEKSEL VOORZIJDE	COUVERTURE FRONTALE	VORDERE ABDECKUNG	FRONTAL DE LA CUBIERTA	FRAMHUV	COPERCHIO ANTERIORE
COVER INLET	DEKSEL VAN INLAAT	COUVERTURE DE L'ENTREE	EINLASSABDECKUNG	ENTRADA DE LA CUBIERTA	INLOPPSHUV	COPERCHIO DEL ENTRATA
COVER LOWER	BENEDENDEKSEL	COUVERTURE INFÉRIEURE	UNTERE ABDECKUNG	BAJOS DE LA CUBIERTA	NEDRE HUV	COPERCHIO INFERIORE
COVER PANEL	AFDEKPAANEEL	PANNEAU DE COUVERTURE	BEDIENUNGSPULTABDECKUNG	PANEL DE LA CUBIERTA	PANELHUV	PANNELLO COPERCHIO
COVER PLATE	AFDEKPLAAT	PLAQUE DE COUVERTURE	ABDECKUNG	PLACA DE LA CUBIERTA	TÄCKPLÅT	PIASTRA COPERCHIO
COVER PLUG	AFDEKPLUG	BOUCHON DE COUVERTURE	STECKERABDECKUNG	ENCHUFE DE LA CUBIERTA	HUVKONTAKT	PRESA COPERCHIO
COVER REAR	ACHTERDEKSEL	COUVERTURE ARRIERE	HINTERE ABDECKUNG	POSTERIOR DE LA CUBIERTA	BAKHUV	COPERCHIO POSTERIORE
COVER SHEET	AFDEKPLAAT	PLAQUE DE COUVERTURE	ABDECKPLATTE	HOJA DE LA CUBIERTA	TÄCKSKIKT	LAMIERA COPERCHIO
COVER UPPER	BOVENDEKSEL	COUVERTURE SUPERIEURE	OBERE ABDECKUNG	ALTOS DE LA CUBIERTA	ÖVRE HUV	COPERCHIO SUPERIORE
CRANK	KRUK	MANIVELLE	KURBEL	MANIVELA	VEV	MANOVELLA
CRANKCASE	CARTER	CARTER	KURBELGEHÄUSE	CÁRTER	VEVHUS	BASAMENTO
CRANKCASE BASE	VOETSTUK CARTER	EMBASE DU CARTER	BODEN, KURBELG.	BASE DEL CÁRTER	BAS, VEVHUS	FONDO DEL BASAMENTO
CRANKCASE HEATER	CARTERVERWARMER	RÉCHAUFFEUR DE CARTER	KURBELGEH.-HEIZ.	CALENT. DEL CÁRTER	VEVHUSUPP.VÄRM.	RISCALDATORE DEL BASAMENTO
CRANKSHAFT	KRUKAS	VILEBREQUIN	KURBELWELLE	CIGÜEÑAL	VEVAXEL	ALBERO A GOMITI
CROSS	KRUIS	RACCORD EN CROIX	KREUZ	CRUZ DE ACOPLAMIENTO	KORS	RACCORDO A 4 VIE
CROSS ANGLE	DWARSHOEK	ANGLE DE CROISEMENT	QUERWINKEL	ÁNGULO CRUZADO	KORSVINKEL	ANGOLO INCROCIATO
CROSS BAFFLE	DWARSPANEEL	DEFLECTEUR TRANSVERSALE	UMLENKSEGMENT	DEFLECTOR CRUZADO	KORSPLÅT	DEFLETTORE A CROCE
CROSS BEAM	DWARSBALK	TRAVERSE	QUERBALKEN	HAZ CRUZADO	TVÄRBALK	TRAVE INCROCIATA
CROSS COUPLING	KRUISKOPPELING	RACCORD EN CROIX	KREUZKUPPLUNG	ACOPL. EN CRUZ	KORSKOPPLING	ACCOPIAMENTO A CROCE
CROSS MEMBER	DWARSELEMENT	MEMBRE	QUERTRÄGER	TRAVESAÑO	TVÄRBALK	TRAVERSA
CROSS PLATE	DWARSPLAAT	PLAQUE TRANVERSALE	QUERPLATTE	PLACA CRUZADA	TVÄRPLÅT	PIASTRA A CROCE
CROSS TUBE	DWARSPIP	TUBE EN CROIX	SPURSTANGE	TUBO CRUZADO	KORSRÖR	TUBO A CROCE
CROSSHEAD	KRUISKOP	CROSSE DE PISTON	KREUZKOPF	CRUCETA	TVÄRSTYCKE	TESTA A CROCE
CROSSHEAD LINER	KRUISKOPVOERING	GARNITURE DE CROSSE	KREUZKOPFFUTTER	FORRO DE CRUCETA	TVÄRSTYCKESFODER	SPESORE DELLA TESTA A CROCE
CROSSHEAD PIN	KRUISKOPPEN	AXE DE CROSSE	KREUZKOPFBOLZEN	PASADOR DE CRUCETA	TVÄRSTYCKSTAPP	SPINOTTO DELLA TESTA A CROCE
CU PIPE	KOPEREN LEIDING	TUYAU CU	KUPFERROHR	TUBERÍA DE COBRE	KUBIKRÖR	TUBO IN RAME
CU WASHER	KOPEREN AFDICHTINGSRING	RONDELLE CU	UNTERLEGSCHIEBE	ARANDELA DE COBRE	KUBIKBRICKA	RONDELLA IN RAME
CUBICLE	KAST	ARMOIRE	KASTEN	CUBÍCULO	SKÅP	ARMADIO
CUP	KOM	GODET	BEHÄLTER	CUBETA	BÅGARE	COPPA
CURRENT TRANSFORMER	STROOMTRANSFORMATOR	TRANSFORM. DE COURANT	STROMWANDLER	TRANSFORM. DE CORRIENTE	STRÖM	TRASFORMATORE DI CORRENTE
CUTTING RING	SNIJRING	ANNEAU MORDANT	SCHNEIDRING	ANILLO DE CORTE	SKÄRRING	ANELLO DI TAGLIO
CYCLONE	CYCLON		ZYKLON	CICLÓN	CYKLON	CICLONE
CYLINDER	CILINDER	CYLINDRE	ZYLINDER	CILINDRO	CYLINDER	CILINDRO
CYLINDER BASE	CIL. BODEM	FOND DE CYLINDRE	ZYLINDERFLANSCH	FONDO DE CILINDRO	CYL. LOCK.NEDRE	BASE DEL CILINDRO
CYLINDER COVER	CILINDERDEKSEL	COUVERCLE DE CYLINDRE	ZYLINDERDECKEL	TAPA DE CILINDRO	CYLINDERLUCKA	COPERCHIO DEL CILINDRO
CYLINDER HEAD	CILINDERKOP	CULASSE	ZYLINDERKOPF	CABEZA DE CILINDRO	CYL. LOCK, ÖVRE	TESTA DEL CILINDRO
CYLINDER HOUSING	CILINDERHUIS	BOITIER DE CYLINDRE	ZYLINDERGEHÄUSE	CARCARA DEL CILINDRO	CYLINDERHUS	ALLOGGIAMENTO DEL CILINDRO
CYLINDER PIN	CILINDERPEN	GOÛPILLE DE CYLINDRE	ZYLINDERSTIFT	PASADOR DEL CILINDRO	CYLINDERKIST STIFT	SPINA DEL CILINDRO
CYLINDER VALVE	CILINDERKLEP	SOUPEPE DE CYLINDRE	ZYLINDERVENTIL	VÁLVULA DEL CILINDRO	CYLINDERVENTIL	VALVOLA DEL CILINDRO
D						
DAMPER	DEMPEER	AMORTISSEUR	DÄMPFER	AMORTIGUADOR	DÄMPARE	AMMORTIZZATORE
DAMPING DISC	DEMPSCHIJF	DISQUE AMORTISEUR.	DÄMPERSCHIEBE	DISCO AMORTIGUADOR	DÄMPNINGSSKIVA	DISCO SMORZATORE
DATA LABEL	TYPEPLAATJE	PLAQUETTE DE CARACT.	DATENETIKETT	ETIQUETA DE DATOS	DATASKYLT	ETICHETTA DATI
DATA PLATE	IDENTIFICATIEPLAATJE	PLAQUE DE CARACT.	TYPENSCHILD	PLACA DE DATOS	DATASKYLT	TARGHETTA DATI
DDC SET	DDC SET	JEU DDC	DDC-SATZ	EQUIPO DE CONTROL DIRECTO DIG	DDC-SATS	LETTORE DI REGOL. NUM. DIRETTA
DDEC READER	DDEC READER	LECTEUR DDEC	DDEC-LESEGERÄT	LECTOR DDEC	DDEC-AVLÄSARE	SET DI REGOLAZ. NUM. DIRETTA
DECAL	ZELFKLEVER	ETIQUETTE	ABZIEHBILD	ETIQUETA ADHESIVA	SKYLT	DECALCOMANIA
DEFAULT ITEM	VOORINSTELLING	POINT DEFAUT	STANDARDENSTELLUNG	VALOR POR DEFECTO	STANDARDDEL	ELEMENTO DI "DEFAULT"
DEFLECTOR	AFBUIGINRICHTING	DEFLECTEUR	ABWEISER	DEFLECTOR	DEFLEKTOR	DEFLETTORE
DELIVERY DISC	UITLAATKLEPPLAAT	DISQUE REFOULEMENT	DRUCKVENTILTÄLLER	DISCO, VÁLV. IMPULS.	TRYCKVENTILSKIVA	DISCO DI MANDATA
DELIVERY PIPE	UITLAATPIJP	TUYAU DE REFOULEMENT	DRUCKLEITUNG	TUBO DE IMPULSIÓN	TRYCKLEDNING	USCITA DEL TUBO DI MANDATA
DELTA CONTACTOR	DRIEHOEKSCHAKELAAR	CONTACTEUR TRIANGLE	DREIECKSCHALTER	CONTACTOR TRIÁNGULO	TRIANGELKONTAKTOR	CONTACTATORE DI TRIANGOLO
DEWPOINT METER	DAUWPOINTMETER	INDICAT. POINT DE ROSÉE	TAUPUNKTMESSEER	INDIC. PUNTO ROCÍO	DAGGPUNKTSMÁTARE	INDICATORE DEL PUNTO DI RUGIADA
DIAL	WIJZERPLAAT	CADRAN	SKALENSCHIEBE	CUADRANTE	SKALA	QUADRANTE

ENGLISH	NORSK	DANSK	ΕΛΛΗΝΙΚΑ	PORTUGUÊS	SUOMI
COOLER	KJØLER	KØLER	ΨΥΚΤΗΣ	REFRIGERADOR	JÄÄHDYTTIN
COOLER ADAPTOR	KJØLERADAPTER	KØLERADAPTER	ΠΡΟΣΑΡΜΟΓΕΑΣ ΨΥΚΤΗ	ADAPTADOR DO REFRIGERADOR	JÄÄHDYTTIMEN SOVITINKAPPALE
COOLER CORE	KJØLERKJERNE	KØLERKERNE	ΠΥΡΗΝΑΣ ΨΥΚΤΗ	NÚCLEO DO REFRIGERADOR	JÄÄHDYTTIMEN KENNOSTO
COOLER COVER	KJØLERDEKSEL	KØLERSKJERM	ΚΑΛΥΜΜΑ ΨΥΚΤΗ	COBERTURA DO REFRIGERADOR	JÄÄHDYTTIMEN KANSI
COOLER ELEMENT	KJØLERELEMENT	KØLERELEMENT	ΣΤΟΙΧΕΙΟ ΨΥΚΤΗ	ELEMENTO DO REFRIGERADOR	JÄÄHDYTTINELEMENTTI
COOLER FRAME	KJØLERRAMME	KØLERRAMME	ΠΛΑΞΙΟ ΨΥΚΤΗ	QUADRO DO REFRIGERADOR	JÄÄHDYTTIMEN RUNKO
COOLER HOUSING	KJØLERHUS	KØLERHUS	ΚΕΛΥΦΟΣ ΨΥΚΤΗ	CAIXA DO REFRIGERADOR	JÄÄHDYTTIMEN VAIPPA
COOLER PACK	KJØLERPAKKE	KØLERPAKKE	ΣΥΤΥΠΗΘΕΑΙΠΗΤΗΣ ΨΥΚΤΗ	CONJUNTO DO REFRIGERADOR	JÄÄHDYTTIN
COOLER PLATE	KJØLERPLATE	KØLERPLADE	ΠΛΑΚΑ ΨΥΚΤΗ	PLACA DO REFRIGERADOR	JÄÄHDYTTINLEVY
COOLER SHELL	KJØLERDEKSEL	KØLERSKJOLD	ΚΕΛΥΦΟΣ ΨΥΚΤΗ	INVÓLUCRO DO REFRIGERADOR	JÄÄHDYTTIMEN KUORI
COOLER SUPPORT	KJØLERSTØTTE	KØLERSTØTTE	ΒΑΣΗ ΨΥΚΤΗ	APOIO DO REFRIGERADOR	JÄÄHDYTTIMEN KANNATTI
COOLER TUBE	KJØLERRØR	KØLERRØR	ΣΩΛΗΝΑΣ ΨΥΚΤΗ	TUBO DO REFRIGERADOR	JÄÄHDYTTYSPUTKI
COOLING DUCT	KJØLERKANAL	KØLEVANDSKANAL	ΑΓΩΓΟΣ ΨΥΞΗΣ	CONDUTA DE REFRIGERAÇÃO	JÄÄHDYTTYSKANAVA
COOLING ELEMENT	KJØLERELEMENT	KØLERELEMENT	ΣΤΟΙΧΕΙΟ ΨΥΞΗΣ	ELEMENTO DO REFRIGERADOR	JÄÄHDYTTISELEMENTTI
COOLING UNIT	KJØLER	KØLER	ΜΟΝΑΔΑ ΨΥΞΗΣ	UNIDADE REFRIGERADORA	JÄÄHDYTTIN
COPNUT	TENNSPOLEMUTTER	TÆNDSPOLEMØTRIK	ΤΥΦΛΟ ΠΕΡΙΚΟΧΛΙΟ, ΤΥΦΛΟ ΠΛΕΞΙΜΑΔΙ	PORCA DA BOBINE	KARTIOMUTTERI
CORD	STRAMMESNOR	ISOLERINGSTRÅD	ΚΑΛΩΔΙΟ	CABO DE LIGAÇÃO	LANKA
CORE	KJERNE	KERNE	ΠΥΡΗΝΑΣ	NÚCLEO	YDINOSA
CORE PLUG	KJERNPLUGG	KERNEPROP	ΤΑΪΙΑ ΠΥΡΗΝΑ	BUIÃO	SISÄKETTULPPA
CORK JOINT	KORKSKJØT	KORKSAMLING	ΣΥΝΔΕΣΜΟΣ ΦΕΛΛΟΥ	UNIÃO DE CORTIÇA	KORKKILIITOS
CORNER	HJØRNE	HJØRNE	ΓΩΝΙΑ	CANTO	KULMA
CORNER PANEL	HJØRNEPANEL	HJØRNEPANEL	ΓΩΝΙΑΚΟ ΚΑΛΥΜΜΑ	PAINEL ANGULAR	KULMALEVY
CORNER SHELL	HJØRNEPLATE	HJØRNEPLADE	ΓΩΝΙΑΚΟ ΚΕΛΥΦΟΣ	CANTONEIRA	KULMALEVY
CORROSION RESISTOR	KORROSIONSMOTSTAND	KORROSIONSMODSTAND	ΑΝΤΙΑΒΡΩΤΙΚΟ	RESISTÊNCIA DE CORROÇÃO	KORROOSIONSUOJA-AINE
COUNTER WEIGHT	MOTVEKT	MODVÆGT	ΑΝΤΙΒΑΡΟ	CONTRAPESO	VASTAPAINO
COUPLING	KOPLING	KOBLING	ΣΥΝΔΕΣΜΟΣ, ΣΥΖΕΥΣΗ	ACOPLAMENTO	KYTKIN
COUPLING ADAPTOR	KOPLINGSADAPTER	KOBLINGSADAPTER	ΠΡΟΣΑΡΜΟΓΕΑΣ ΣΥΝΔΕΣΜΟΥ	ADAPTADOR DE ACOPLAMENTO	KYTKINSOVITIN
COUPLING BOX	KOPLINGSBOKS	KOBLINGSBOKS	ΚΙΒΩΤΙΟ ΣΥΝΔΕΣΜΟΥ	CAIXA DE ACOPLAMENTO	KYTKINMUHVI
COUPLING DISK	KOPLINGSSKIVE	KOBLINGSSKIVE	ΔΕΚΟΣ ΣΥΝΔΕΣΜΟΥ	DISCO DE ACOPLAMENTO	KYTKINLEVY
COUPLING DRIVER	KOPLINGSMEDBRINGER	KOBLINGSDRIVHJUL	ΟΔΗΓΟΣ ΣΥΝΔΕΣΜΟΥ	ACOPLAMENTO DE ACCIONAMENTO	KYTKINVAÄNTTI
COUPLING ELEMENT	KOPLINGSELEMENT	KOBLINGSELEMENT	ΣΤΟΙΧΕΙΟ ΣΥΝΔΕΣΜΟΥ	ELEMENTO DE ACOPLAMENTO	KYTKINLEMENTTI
COUPLING FLANGE	KOPLINGSFLENS	KOBLINGSFLANGE	ΦΑΝΤΖΑ ΣΥΝΔΕΣΜΟΥ	PRATO DE UNIÃO	KYTKINLAIPPA
COUPLING GUARD	KOPLINGSVERN	KOBLINGSSKJOLD	ΠΡΟΦΥΛΑΚΤΗΡΑΣ ΣΥΝΔΕΣΜΟΥ	PROTECÇÃO DO ACOPLAMENTO	KYTKIMEN SUOJUS
COUPLING HALF	KOPLINGSHALVDEL	KOBLINGSHALVDEL	ΗΜΙΣΥΝΔΕΣΜΟΣ	SEMI-ACOPLAMENTO	KYTKINPUOLISKO
COUPLING HEAD	KOPLINGSHODE	KOBLINGSHOVED	ΚΕΦΑΛΗ ΣΥΝΔΕΣΜΟΥ	CABEÇA DE ACOPLAMENTO	KYTKENTÄPÄÄ
COUPLING HOUSING	KOPLINGSHUS	KOBLINGSHUS	ΚΕΛΥΦΟΣ ΣΥΝΔΕΣΜΟΥ	INVÓLUCRO DO ACOPLAMENTO	KYTKIMEN KOTILO
COUPLING HUB	KOPLINGSNAV	KOBLINGSNAV	ΠΛΗΜΝΗΣΥΝΔΕΣΜΟΥ	CUBO DE ACOPLAMENTO	KYTKIMEN NAPA
COUPLING LINK	KOPLINGSLEDD	KOBLINGSFORBINDELSE	ΣΥΝΔΕΣΜΟΣ ΣΥΖΕΥΣΗΣ	ELO DE UNIÃO	YHDYSNIVEL
COUPLING NUT	KOPLINGSMUTTER	KOBLINGSMØTRIK	ΠΕΡΙΚΟΧΛΙΟ ΣΥΝΔΕΣΜΟΥ	PORCA DE ACOPLAMENTO	KYTKINMUTTERI
COUPLING PLATE	KOPLINGSPLATE	KOBLINGSPLADE	ΕΛΑΣΜΑ ΣΥΝΔΕΣΜΟΥ	PLACA DE ACOPLAMENTO	KYTKINLEVY
COUPLING PLUG	KOPLINGSPLUGG	KOBLINGSPROP	ΠΩΜΑ ΣΥΝΔΕΣΜΟΥ	FICHA DE ACOPLAMENTO	KYTKINTULPPA
COUPLING RING	KOPLINGSRING	KOBLINGSRING	ΔΑΚΤΥΛΙΟΣ ΣΥΝΔΕΣΜΟΥ	ANEL DE ACOPLAMENTO	KYTKINRENGAS
COVER	DEKSEL	SKJERM	ΚΑΛΥΜΜΑ	COBERTURA	KANSI
COVER FLANGE	LÅSEFLENS	SKJERMFLENGE	ΦΑΝΤΖΑ ΚΑΛΥΜΜΑΤΟΣ	FLANGE DE COBERTURA	KANSILAIPPA
COVER FRONT	FREMRE DEKSEL	DÆKSEL FOR	ΜΗΠΡΟΣΤΙΝΟ ΚΑΛΥΜΜΑ	COBERTURA DA PARTE FRONTAL	ETUKANSI
COVER INLET	INNØPPEDEKSEL	DÆKSEL INDLØB	ΚΑΛΥΜΜΑ ΕΙΣΑΓΩΓΗΣ	COBERTURA DE ADMISSÃO	TULOPUOLEN KANSI
COVER LOWER	NEDRE DEKSEL	DÆKSEL NEDRE	ΚΑΤΩ ΚΑΛΥΜΜΑ	COBERTURA INFERIOR	ALAKANSI
COVER PANEL	PANELDEKSEL	DÆKSEL PANEL	ΦΥΛΛΟ ΚΑΛΥΜΜΑΤΟΣ	PAINEL DE COBERTURA	PEITILEVY
COVER PLATE	DEKKPLATE	DÆKPLADE	ΕΛΑΣΜΑ ΚΑΛΥΜΜΑΤΟΣ	PLACA DE COBERTURA	PEITILEVY
COVER PLUG	DEKSEL VED PLUGG	DÆKSEL VED STIK	ΤΑΪΙΑ ΚΑΛΥΜΜΑΤΟΣ	PROTECÇÃO DA TOMADA	PEITETULPPA
COVER REAR	BAKRE DEKSEL	DÆKSEL BAG	ΠΙΣΤΟ ΚΑΛΥΜΜΑ	COBERTURA DA PARTE TRASEIRA	TAKAKANSI
COVER SHEET	DEKKPLATE	DÆKPLADE	ΦΥΛΛΟ ΚΑΛΥΜΜΑΤΟΣ	CHAPA DE PROTECÇÃO	PEITILEVY
COVER UPPER	ØVRE DEKSEL	DÆKSEL ØVRE	ΗΑΝΩ ΚΑΛΥΜΜΑ	COBERTURA SUPERIOR	YLÄKANSI
CRANK	VEIV	KRUMTAP	ΣΤΡΟΦΑΛΟΣ	CAMBOTA	KAMPI
CRANKCASE	VEIVHUS	KRUMTAPHUS	ΣΤΡΟΦΑΛΟΘΑΛΑΜΟΣ	CARTER	KAMPIKAMMIO
CRANKCASE BASE	VEIVHUSSETS BUNN	SOKKEL TIL KRUMTAPHUS	ΒΑΣΗ ΣΤΡΟΦΑΛΟΘΑΛΑΜΟΥ	BASE DO CARTER	KAMPIKAMMION POHJA
CRANKCASE HEATER	VEIVHUSOPPVARMING	OPVARMER TIL KRUMTAPHUS	ΘΕΡΜΑΝΤΗΡΑΣ ΣΤΡΟΦΑΛΟΘΑΛΑΜΟΥ	AQUECEDOR DO CARTER	KAMPIKAMMION LÄMMITIN
CRANKSHAFT	VEIVAKSEL	KRUMTAPAKSEL	ΣΤΡΟΦΑΛΟΦΟΡΟΣ ΕΞΟΝΑΣ	CAMBOTA	KAMPIAKSELI
CROSS	KRYSS	KRYDS	ΣΤΑΥΡΟΣ	CRUZADO / TRANSVERSAL	RISTI
CROSS ANGLE	TVERRVINKEL	TVÆRVINKEL	ΕΓΚΑΡΣΙΑ ΓΩΝΙΑ	ÂNGULO TRANSVERSAL	POIKITTAISKULMA
CROSS BAFFLE	TVERRSKJERM	TVÆRSKJERM	ΕΓΚΑΡΣΙΑ ΔΙΑΦΡΑΓΜΑ	PLACA DEFLECTORA TRANSVERSAL	VÄLILEVY
CROSS BEAM	TVERRBÆLKE	TVÆRBÆLKE	ΕΓΚΑΡΣΙΑ ΔΟΚΟΣ	HASTE TRANSVERSAL	POIKITTAISPALKKI
CROSS COUPLING	KRYSSKOPLING	KRYDSKOBLING	ΣΤΑΥΡΩΤΟΣ ΣΥΝΔΕΣΜΟΣ	ACOPLAMENTO TRANSVERSAL	RISTIKYTKIN
CROSS MEMBER	TVERRSTYKKE	TVÆRVANGE	ΕΓΚΑΡΣΙΑ ΔΙΑΔΟΚΙΑ	MEMBRO TRANSVERSAL	POIKITTAISELEMENTTI
CROSS PLATE	TVERRPLATE	TVÆRPLADE	ΕΓΚΑΡΣΙΑ ΕΛΑΣΜΑ	PLACA TRANSVERSAL	POIKITTAISLEVY
CROSS TUBE	TVERRØR	TVÆRRØR	ΕΓΚΑΡΣΙΟΣΩΛΗΝΑΣ	TUBO TRANSVERSAL	POIKITTAISPUTKI
CROSSHEAD	TVERRSTYKKE	KRYDSHOVED	ΖΥΓΩΜΑ, ΣΤΑΥΡΟΣ	CRUZETA	RISTIKAPPALE
CROSSHEAD LINER	FORING TVERRSTYKKE	KRYDSHOVEDFORING	ΧΤΙΩΝΙΟ ΣΤΑΥΡΟΥ	REVESTIMENTO INTERNO DA CRUZETA	RISTIKAPPALEEN HOLKKI
CROSSHEAD PIN	TAPP TVERRSTYKKE	KRYDSHOVEDTAP	ΠΕΡΙΟΣ ΣΤΑΥΡΟΥ	CAVILHA DA CRUZETA	RISTITAPPI
CU PIPE	KOBBERRØR	KØBBERRØR	ΤΕΤΡΑΓΩΝΙΚΟΣ ΣΩΛΗΝΑΣ	TUBO EM COBRE (CU)	KUPARIPUTKI
CU WASHER	KOBBERSKIVE	KØBBERSKIVE	ΤΕΤΡΑΓΩΝΙΚΗ ΡΟΔΕΛΑ	ANILHA EM COBRE (CU)	KUPARINEN ALUSLAATTA
CUBICLE	KABINETT	KABINESKAB	ΚΟΥΒΟΥΚΛΙΟ	ARMÁRIO	KAAPPI
CUP	KOPP	KOP	ΔΟΧΕΙΟ	COPO	KUPPI
CURRENT TRANSFORMER	STRØMTRANSFORMATOR	STRØMTRANSFORMER	ΜΕΤΑΣΧΗΜΑΤΙΣΤΗΣ ΡΕΥΜΑΤΟΣ	TRANSFORMADOR DE CORRENTE	VIRTAMUUNTAJA
CUTTING RING	SKJÆRERING	SKÆRERING	ΔΑΚΤΥΛΙΟΣ ΚΟΠΗΣ	ANEL DE CORTE	LEIKKUURENGAS
CYCLONE	CYKLON	CYKLON	ΚΥΚΛΩΝΑΣ	CICLONE	SYKLONI
CYLINDER	SYLINDER	CYLINDER	ΚΥΛΙΝΔΡΟΣ	CILINDRO	SYLINTERI
CYLINDER BASE	SYLINDERBUNN	NEDRE CYLINDERLÅS	ΒΑΣΗ ΚΥΛΙΝΔΡΟΥ	BASE DO CILINDRO	SYLINTERIN POHJA
CYLINDER COVER	SYLINDERDEKSEL	CYLINDERDÆKSEL	ΚΑΛΥΜΜΑ ΚΥΛΙΝΔΡΟΥ	COBERTURA DO CILINDRO	SYLINTERIN KANSI
CYLINDER HEAD	TOPPLOKK	(CYLINDER-)TOPSTYKKE	ΚΕΦΑΛΗ ΚΥΛΙΝΔΡΟΥ	CABEÇA DO CILINDRO	SYLINTERINPÄÄ
CYLINDER HOUSING	SYLINDERHUS	CYLINDERHUS	ΚΕΛΥΦΟΣ ΚΥΛΙΝΔΡΟΥ	ENCAIXE DO CILINDRO	SYLINTERIN KOTILO
CYLINDER PIN	SYLINDERPINNE	CYLINDERSTIFT	ΠΕΡΙΟΣ ΚΥΛΙΝΔΡΟΥ	CAVILHA DO CILINDRO	SYLINTERIMÄNNEN TAPPI
CYLINDER VALVE	SYLINDERVENTIL	CYLINDERVENTIL	ΒΑΛΒΙΔΑ ΚΥΛΙΝΔΡΟΥ	VÁLVULA DO CILINDRO	SYLINTERIVENTTIILI

D

DAMPER	DEMPER	SPJELD	ΑΠΟΣΒΕΣΤΗΡΑΣ	AMORTECEDOR	VAIMENNIN
DAMPING DISC	DEMPERSKIVE	SPJELDISK	ΔΕΚΟΣ ΑΠΟΣΒΕΣΗΣ	DISCO AMORTECEDOR	VAIMENNINLEVY
DATA LABEL	DATASKILT	DATAETIKET	ΕΤΙΚΕΤΑ ΔΕΔΟΜΕΝΩΝ	ETIQUETA DE DADOS	ARVOKILPI
DATA PLATE	TYPESKILT	DATAPLATE	ΠΙΝΑΚΙΑ ΣΤΟΙΧΕΙΩΝ	PLACA DE IDENTIFICAÇÃO	ARVOKILPI
DDC SET	DDC-SET	DDC-SET	ΣΕΙΡΑ DDC	CONJUNTO DDC	DDC SET
DDEC READER	DDEC-LESER	DDEC-LESER	ΜΟΝΑΔΑ ΑΝΑΓΝΩΣΗΣ DDEC	DISPOSITIVO DE LEITURA DDEC	DDEC READER
DECAL	SKILT	SKILT	ΑΥΤΟΚΟΛΛΗΤΟ	ETIQUETA	TARRA
DEFAULT ITEM	NORMAL DEL	STANDARDDEL	ΠΡΟΕΠΙΛΕΓΜΕΝΟ ΣΤΟΙΧΕΙΟ	ARTIGO EM FALTA	ESIASSETUS
DEFLECTOR	LEDEPLATE	VARMEKJERM	ΕΚΤΡΟΠΗΘΕΑΣ	DEFLECTOR	ILMANSUNTAIN
DELIVERY DISC	UTFØRINGSSKIVE	TRYKVENTILSKIVE	ΔΙΣΚΟΣ ΠΑΡΟΧΗΣ	DISCO DA VÁLVULA IMPULSORA	VENTTIIHLAUTANEN
DELIVERY PIPE	UTFØRINGSRØR	FREMFORINGSRØR	ΣΩΛΗΝΑΣ ΠΑΡΟΧΗΣ	TUBO DE DISTRIBUIÇÃO	PAKOPUTKI
DELTA CONTACTOR	TREKANTKONTAKTOR	DELTAKONTAKTOR	ΕΠΙΦΕΑΣ ΔΕΛΤΑ	CONTACTOR EM TRIÂNGULO	KOLMIOKYTKIN
DEWPOINT METER	MÅLER FOR DUGGPUNKT	DUGPUNKTSMÅLER	ΜΕΤΡΗΤΗΣ ΣΗΜΕΙΟΥ ΑΡΩΣΟΥ	MEDIDOR DE PONTO DE ORVALHO	KASTEPISTEMITTARI
DIAL	SKALA	SKALA	ΚΑΝΤΡΑΝ ΕΠΙΛΟΓΗΣ	MOSTRADOR	ASTEIKKO

ENGLISH	NEDERLANDS	FRANCAIS	DEUTSCH	ESPAÑOL	SVENSKA	ITALIANO
DIAPHR. CYLINDER	CILYNDER, MEMBRAAN-	CYLINDRE DU DIAPHRAGME	ZYLINDER, MEMBRAN	CIL. DEL DIAFRAGMA	CYLINDER, MEMBRAN	CILINDRO A MEMBRANA
DIAPHR. HOUSING	HUIS, MEMBRAAN-	CARTER DU DIAPHRAGME	GEHÄUSE, MEMBRAN	CAJA DEL DIAFRAGMA	HUS, MEMBRAN	ALLOGGIAMENTO DELLA MEMBRANA
DIAPHR. RETAINER	MEMBRAANHOUDER	ARRETOIR DU DIAPHRAGME	MEMBRANHALTER	RETÉN DEL DIAFRAGMA	MEMBRANHÅLLARE	FERMÒ DELLA MEMBRANA
DIAPHR. VALVE	MEMBRAANAFSLUITER	VALVE DU DIAPHRAGME	MEMBRANVENTIL	VÁLV. DE DIAFRAGMA	MEMBRANVENTIL	VALVOLA A MEMBRANA
DIAPHRAGM	MEMBRAAN	DIAPHRAGME	MEMBRAN	DIAFRAGMA	MEMBRAN	MEMBRANA
DIESEL ENGINE	DIESEL MOTOR	MOTEUR DIESEL	DIESEL MOTOR	MOTOR DIESEL	DIESEL MOTOR	MOTORE DIESEL
DIFFUSOR	DIFFUZOR	DIFFUSEUR	DIFFUZOR	DIFUSOR	SPRIDARE	DIFFUSORE
DIODE	DIODE	DIODE	DIODE	DIODO	DIOD	DIODO
DIPSTICK	PEILSTOK	JAUGE	PEILSTAB	VARRILLA DE NIVEL	MÅTSTICKA	ASTA DI LIVELLO
DIPSTICK GUIDE	PEILSTOKGELEIDER	GUIDE DE JAUGE	PEILSTABFÜHRUNG	GUÍA VARRILLA NIVEL	STYRNING MÅTSTICKA	GUIDA DELL'ASTA DI LIVELLO
DISC	SCHIJF	DISQUE	SCHIBE	DISCO	SKIVA	DISCO
DISC SPRING	SCHIJFVEER	RESSORT A DISQUE	SCHIBENFEDER	MUELLE DE DISCO	BRICKFJÄDER	MOLLA A DISCO
DISC WHEEL	SCHIJFWIEL	ROUE PLEINE	SCHIBENRAD	RUEDA DE DISCO	SKIVHJUL	RUOTA A DISCO
DISCHARGE CAP	UITLAATDEKSEL	COUVERCLE DE DECHARGE	AUSLASSDECKEL	TAPA DE DESCARGA	UTLOPPSLÖCK	COPERCHIO DI SCARICO
DISCHARGE PIPE	UITLAATPIJP	TUYAU DE DECHARGE	AUSLASSROHR	TUBO DE DESCARGA	UTLOPPSRÖR	TUBO DI SCARICO
DISCHARGE SILENCER	GELUIDDEMPER	SILENCIEUX DE DECHARGE	GERÄUSCHDÄMPFER	SILENC. DESCARGA	LJUDDÄMPARE	SILENZIATORE DI SCARICO
DISCHARGE VALVE	UITLAATKLEP	SOUPAPE DE DECHARGE	AUSLASSVENTIL	VÁLV. DE DESCARGA	UTLOPPSVENTIL	VALVOLA D'EFFLUSSO
DISHED END	HOL. UITTEINDE	EXTREMITÉ BOMBEE	EINWÄRTS GEKRÜMMTES ENDE	EXTREMO CÓNCAVO	KUPAD ÄNDA	POMBATA
DISPLAY	BEELDSCHERM	VISUEL	DISPLAY	PANTALLA	DISPLAY	VISUALIZZAZIONE
DISPLAY MODULE	BEELDSCHERM MODUUL	MODULE VISUEL	DISPLAYMODUL	MÓDULO DE PRESENTACIÓN	DISPLAYMODUL	MODULO DI VISUALIZZAZIONE
DISTANCE BUSH	AFSTANDSBUS	DOUILLE D'ECARTEMENT	DISTANZHÜLSE	CASQUILLO SEPARADOR	DISTANSHYLSA	BUSSOLA DI DISTANZIAMENTO
DISTANCE FLANGE	AFSTANDSFLENS	BRIDE D'ESPACEMENT	ABSTANDSFLANSCH	ABRAZADERA DE SEPARACIÓN	DISTANSFLÄNS	FLANGIA DI DISTANZIAMENTO
DISTANCE PIECE	AFSTANDSSTUK	PIECE D'ECARTEMENT	PIECE D'STÜCK	PIEZA DE SEPARACIÓN	DISTANSSTYCKE	PEZZO DI DISTANZIAMENTO
DISTANCE RING	AFSTANDSRING	BAGUE D'ECARTEMENT	DISTANZRING	ANILLO SEPARADOR	DISTANSRING	ANELLO DI DISTANZIAMENTO
DISTANCE SCREW	AFSTANDSSCHROEF	VIS D'ECARTEMENT	DISTANZSCHRAUBE	TORNILLO SEPARADOR	DISTANSSKRUV	VITE DI DISTANZIAMENTO
DOCUMENT HOLDER	RECEPTABLE DE DOCUMENTS	RECEPTABLE DE DOCUMENTS	DOKUMENTHALTER	SOPORTE PARA DOCUMENTOS	DOKUMENTHÅLLARE	DOCUMENTI
DOG PLATE	NOKKENPLAAT	PLATEAU A BUTEES	MITNEHMERSCHIBE	PLATO DE FIJACIÓN	MEDBRINGARSKIVA	DISCO CON SCONTRI
DOMED WASHER	GEBOGEN ONDERLEGPLAATJE	RONDELLE CINTRÉE	GÖWÖLBT. SCHEIBE	ARANDELA EN ABVEDADA	KUPOLBRICKA	RONDELLA A CUPOLA
DOOR	DEUR	PORTE	TÜR	PUERTA	DÖRR	PORTA
DOOR HANDLE	DEURKLINK	POIGNEE DE PORTE	TÜRKLINKE	MANGO DE LA PUERTA	DÖRRHANDTAG	MANIGLIA
DOOR HOOK	DEURGRENDEL	VERROU DE PORTE	TÜRHAKE	GANCHO DE LA PUERTA	DÖRRKROK	GANCIO DELLA PORTA
DOOR LATCH	DEURKLINK	BEQUILLE DE PORTE	TÜRRIEGEL	PESTILLO DE LA PUERTA	DÖRRSPÄRR	CATENACCIO
DOOR LOCK	DEURSLOT	SERRURE DE PORTE	TÜRSCHLOSS	CERRADURA DE LA PUERTA	DÖRRLÄS	SERRATURA
DOOR PANEL	DEURPANEEL	PANNEAU DE PORTE	TÜRFÜLLUNG	PANEL DE LA PUERTA	DÖRRPANEL	PANNELLO DELLA PORTA
DOOR SHEET	DEURPANEEL	PLAQUE DE PORTE	TÜRPLATTE	HOJA DE LA PUERTA	DÖRRPLATTA	LAMIERA DELLA PORTA
DOWEL PIN	STELPEN	GOUILLE DE SERRAGE	FÜHRUNGSZAPPEN	CLAVIA	STYRBULT	CAVIGLIA
DRAIN	AFTAPBUIJS	TUBE DE VIDANGE	ABLASSROHR	DRENAJE	AVTAPPNINGSRÖR	SCARICO
DRAIN COCK	AFTAPKRAAN	ROBINET DE VIDANGE	ABLASSHAHN	GRIFO DE DRENAJE	AVTAPPNINGSKRAN	ROBINETTO DI SCARICO
DRAIN CONNECTION	AFTAPSTOMP	RACCORDEMENT DE VIDANGE	ABLASSANSCHLUSS	CONEXIÓN DE DRENAJE	AVLOPPSANSLUTNING	COLLEGAMENTO DI SCARICO
DRAIN JOINT	AFTAPVERBINDING	JOINT DE VIDANGE	ABLASSANSCHLUSS	JUNTA DE DRENAJE	AVTAPPNINGSSTYCKE	GIUNTO DI SCARICO
DRAIN PAN	OPVANGBAK	RECIPIENT DE VIDANGE	ABLASSBEHÄLTER	VENTILADOR DE DRENAJE	AVTAPPNINGSKÅL	VASCA DI SCARICO
DRAIN PIPE	AFTAPLEIDING	CONDUITE DE VIDANGE	ABLASSROHR	TUBO DE DRENAJE	AVLOPPSRÖR	TUBO DI SCARICO
DRAIN PLUG	AFTAPPLUG	BOUCHON DE VIDANGE	ABLASSSTOPPEN	TAPÓN DE DRENAJE	AVTAPPNINGSPROPP	TAPPO DI SCARICO
DRAIN RECEIVER	AFTAPVAT	RESERVOIR DE VIDANGE	ABLASSBEHÄLTER	DEPÓSITO DE DRENAJE	AVTAPPNINGSBEHÅL	SERBATOIO DI SCARICO
DRAIN SCREW	AFTAPSCHROEF	VIS DE VIDANGE	ABLASSSCHRAUBE	TORNILLO DE DRENAJE	AVTAPPNINGSKRUV	VITE DI SCARICO
DRAIN STRIP	STRIP V. AFTAPBUIJS	BANDE DE VIDANGE	ABLASSSTREIFEN	CINTA DE DRENAJE	AVTAPPNINGSBAND	NASTRO DI SCARICO
DRAIN VALVE	AFTAPKLEP	SOUPAPE DE VIDANGE	ABLASSVENTIL	VÁLVULA DE DRENAJE	AVTAPPNINGSVENTIL	VALVOLA DI SCARICO
DRAW LATCH	TREKSLUITING	LEVIER FERMETURE	ZIEHVERSCHLUSS	SEGURO	DRAGREGL	CHIAVISETTELO
DRIVE GEAR	DRIJWERK	ENGRENAGE MENANT	TRIEBWERK	ENGRANAJE IMPULSOR	DRIVHJUL	INGRANAGGIO CONDUTTORE
DRIVE HOUSING	BEHUIZING AANDRIJVING	BOITIER D'ENTRAÎNEMENT	ANTRIEBSGEHÄUSE	CARCASA DEL CONTROLADOR	DREVHUS	ALLOGGIAMENTO DEL COMANDO
DRIVE PULLEY	AANDRIJFRIEMSCHIJF	POULIE D'ENTRAÎNEMENT	ANTRIEBSSCHEIBE	POLEA MOTRIZ	REMSKIVA	PULEGGIA DI AZIONAMENTO
DRIVE SCREW	SLAGSCHROEF	VIS AUTO-SERRANT	TRIEBSCHRAUBE	TORNILLO DE EMPUJE	DRIVSKRUV	VITE DI AZIONAMENTO
DRIVE SHAFT	DRIJFAS	ARBRE D'ENTRAÎNEMENT	ANTRIEBSWELLE	EJE DE MANDO	DRIVAXEL	ALBERO DI AZIONAMENTO
DRIVING BELT	DRIJFRIEM	COURROIE D'ENTRAÎNEMENT	TREIBRIEMEN	CORREA TRANSMISORA	DRIVREM	CINGHIA DI TRASMISSIONE
DRIVING GEAR	AANDRIJVING	ENGRENAGE	ANTRIEB	ENGRANAJE DEL CONTROLADOR	DRIVVÆXEL	INGRANAGGIO DI TRASMISSIONE
DRIVING PUMP	DRIJFPOMP	POMPE D'ENTRAÎNEMENT	ANTRIEBSPUMPE	BOMBA IMPULSORA	DRIVPUMP	POMPA DI TRASMISSIONE
DRUM	TROMMEL	TAMBOUR	TROMMEL	TAMBOR	TRUMMA	TAMBURO
DRUM HUB	NAAF V. TROMMEL	MOYEU DU TAMBOUR	TROMMELNABE	NÚCLEO DEL TAMBOR	TRUMNAV	MOZZO DEL TAMBORO
DRYER	DROGER	SECHEUR	TROCKNER	SECADOR	TORK	ESSICCATORE
DUCT	KANAAL	CANAL, TUYAU, CONDUIT	KANAL	CONDUCTO	LEDNING	CONDOTTO
DUCT HOOD	KANAALDEKSEL	CHAPE DE TUYAU	ROHRLEITUNGSHAUBE	CUBIERTA DEL CONDUCTOR	LEDNINGSKÅPA	CAPPA DEL CONDOTTO
DUCT PLATE	GELEIDINGSPLAAT	PLAQUE DE CONDUIT	LUFTLEITBLECH	PLACA DE CONDUCTO	LEDPLÅT	PIASTRA DEL CONDOTTO
DUMMY	DUMMIE	FICTIF	DUMMIE	FALSO	MODELL, BLINDELEMENT	SAGOMA
DUO CLIP	KLEMVEER	CIRCLIP	SPRENGRING	PRESILLA	LÅSRING	FERMAGLIO
DUST CUP	STOFVANGER	BOL A POUSSIÈRE	STAUBFÄNGER	COLECTOR DE POLVO	DAMMBEHÅLLARE	COLLETTORE PER POLVERE
DUST PLATE	STOFFPLAAT	PLAQUE ANTIPOUSSIÈRE	STAUBPLATTE	PLACA ANTIPOLVO	DAMMSKIVA	DAMMSKIVA
DUST RING	STOFRING	BAGUE ANTIPOUSSIÈRE	STAUBRING	ANILLO GUARDAPOLVO	DAMMRING	ANELLO ANTIPOLVERE
DUST SEAL	STOFDICHTING	JOINT ANTIPOUSSIÈRE	STAUBDICHTUNG	OBTUR. CONTRA EL POLVO	DAMMTÆTNING	SIGILLO ANTIPOLVERE
DUST VALVE	STOFKLEP	SOUPAPE DE POUSSIÈRE	STAUBVENTIL	VÁLVULA DE POLVO	DAMMVENTIL	VALVOLA DI SCARICO POLVERE
DYNAMO	DYNAMO	DYNAMO	DYNAMO	DÍNAMO	DYNAMO	DINAMO

E						
EARTH CABLE	AARDINGSKABEL	CONDUCTEUR MISE A TERRE	ERDUNGSKABEL	CONDUCTOR A TIERRA	JORDKABEL	CAVO DI TERRA
EARTH LEAK RELAY	AARDLEKRELAYS	REL. DE FUITE A LA TERRE	ERDSCHLUSSRELAYS	PÉRDIDA DE TIERRA, RELÉ	JORDSLUTNINGSRELÄ	RELE' DI SCARICO A TERRA
EARTH MARK	AARDINGSTEKEN	INDICATION MISE A LA TERRE	ERDUNGSMARKIER	MARCA DE TIERRA	JORDTECKEN	SEGNO DI TERRA
EARTH PIN	AARDINGSPEN	PIQUET MISE A LA TERRE	ERDUNGSSTIFT	PASADOR DE TIERRA	JORDPINNE	SPINA DI TERRA
EARTH RAIL	AARDRAIL	RAIL DE MISE A LA TERRE	ERDUNGSSCHIENE	GUÍA DE TOMA TIERRA	JORDSKENA	ROTAIA DI TERRA
EARTH STRIP	AARDINGSSTRIP	REGLETTE MISE A LA TERRE	BANDERDER	CINTA DE TIERRA	JORBAND	STRISCIA DI TERRA
EARTH TERMINAL	AARDKLEM	BORNE DE TERRE	ERDUNGSKLEMME	TERMINAL DE TIERRA	JORDKLÄMMA	MORSETTIERA DI TERRA
ECCENTRIC RING	EXCENTRIEKRING	ANNEAU EXCENTRIQUE	EXZENTERRING	ANILLO EXCÉNTRICO	EXCENTERRING	ANELLO ECCENTRICO
EDGE PROTECTOR	RANDBESCHERMING	PROTEGE-ARETE	KANTENSCHUTZ	PROTECTOR DE BORDE	KANTSKYDD	PROTEGGI BORDO
EJECTOR	EJECTOR	EJECTEUR	EJEKTOR	EYEKTOR	EJEKTOR	EIEFTORE
ELASTIC PIN	FLEXIBELE PEN	GOUJON ÉLASTIQUE	ELASTISCHER STIFT	PASADOR ELÁSTICO	ELASTISKT STIFT	SPINA ELASTICA
ELBOW	KNIE	COUDE	KRÜMMER	CODO	RÖRKROK	GOMITO
ELBOW COUPLING	KNIEKOPPELING	RACCORDEMENT A COUDE	GEBOGENER ANSCHLUSS	CONEXIÓN ACODADA	VINKLAD KOPPLING	GIUNTO A GOMITO
ELBOW FITTING	KNIEKOPPELING	COUDE	KNIESTÜCK	ACCESORIO ACODADO	KRÖKARMATUR	ACCESSORIO A GOMITO
ELBOW PIPE	PIJP, KNIE	COUDE	SCHENKELROHR	TUBERÍA ACODADA	KNÄRÖR	TUBO A GOMITO
ELBOW REDUCER	KNIEREDUCERSTUK	REDUCTEUR A COUDE	GEBOGENES REDUZIERSTÜCK	REDUCTOR ACODADO	BÖJT REDUCERINGSSTYCKE	RIDUTTORE A GOMITO
ELBOW UNION	KNIEVERBINDING	RACCORD COUDE	KRÜMMERANSCHLUSS	UNIÓN DE CODO	VINKELKOPPLING	RACCORDO A GOMITO
ELECTRIC AIR FILTER	ELEKTRISCH LUCHTFILTER	FILTRE A AIR ELECTR.	EL. LUFTFILTER	FILTRO DE AIRE EL.	EL. LUFTFILTER	FILTRO DELL'ARIA ELETTRICO
ELECTROLYTE	ELECTROLYT	ELECTROLYTE	ELEKTROLYT	ELECTRÓLITO	ELEKTROLYT	ELETTROLITO
ELEMENT	ELEMENT	ELEM. SEPARATEUR D'HUILE	ELEMENT	ELEMENT	ELEMENT	ELEMENTO
EMERGENCY RELAY	NOODSTOPRELAIS	RELAIS D'ARRÊT D'URGENCE	SICHERHEITSRELAIS	RELÉ DE EMERGENCIA	SÄKERHETSRELÄ	RELE' DI EMERGENZA
EMERGENCY STOP	NOODSTOP	ARRÊT D'URGENCE	NOT-AUS SCHALTER	PARADA DE EMERGENCIA	NÖDSTOPP	ARRESTO DI EMERGENZA
EMERGENCY VALVE	NOODKLEP	SOUPAPE DE SURETE	SICHERHEITSVENTIL	VÁLVULA DE EMERGENCIA	SÄKERHEITSVENTIL	VALVOLA DI EMERGENZA
END	EINDSTUK	EXTREMITÉ	ENDE	EXTREMO	ÄNDA	ESTREMITÀ, FINE
END BRACKET	STEUN	SUPPORT	KONSOLE	SOPORTE	FÄSTE	MENSOLA DI ESTREMITÀ
END CAP	EINDEKSEL	CHAPEAU	ENDKAPPE	CUBIERTA DEL EXTREMO	ÄNDRÅPA	CAPPELLO D'ESTREMITÀ
END FRAME	EINDRAAM	EXTREMITÉ BATTI	ENDRAHMEN	EXTREMO DEL MARCO	ÄNDRAM	TELAIO D'ESTREMITÀ

ENGLISH	NORSK	DANSK	ΕΛΛΗΝΙΚΑ	PORTUGUÊS	SUOMI
DIAPHR. CYLINDER	MEMBRAN, SYLINDER	MEMBRANCYLINDER	ΚΥΛΙΝΔΡΟΣ ΔΙΑΦΡΑΓΜΑΤΟΣ	CILINDRO DE DIAFRAGMA	KALVOSYLINTERI
DIAPHR. HOUSING	MEMBRAN, HUS	MEMBRANHUS	ΚΕΛΥΦΟΣ ΔΙΑΦΡΑΓΜΑΤΟΣ	CAIXA DE DIAFRAGMA	KALVOKOTELO
DIAPHR. RETAINER	MEMBRANHOLDER	MEMBRANHOLDER	ΣΥΓΚΡΑΤΗΤΗΡΑΣ ΔΙΑΦΡΑΓΜΑΤΟΣ	FREIO DO DIAFRAGMA	KALVON PIDIN
DIAPHR. VALVE	MEMBRANVENTIL	MEMBRANVENTIL	ΒΑΛΒΙΔΑ ΔΙΑΦΡΑΓΜΑΤΟΣ	VÁLVULA DE DIAFRAGMA	KALVOVENTTILI
DIAPHRAGM	MEMBRAN	MEMBRAN	ΔΙΑΦΡΑΓΜΑ	DIAFRAGMA	KALVO
DIESEL ENGINE	DIESELMOTOR	DIESELMOTOR	ΠΕΤΡΕΛΑΙΟΚΙΝΗΤΗΡΑΣ	MOTOR DIESEL	DIESELMOOTTORI
DIFFUSOR	FORSTØVER	SPREDER	ΣΚΕΑΣΤΗΡΑΣ	DIFUSOR	HAIJOTIN
DIODE	DIODE	DIODE	ΔΙΟΔΟΣ	DIODO	DIODI
DIPSTICK	PEILEPINNE	MÅLEPIND	ΡΑΒΔΟΣ ΕΜΒΑΠΤΗΣΗΣ	VARETA DE NÍVEL	MITTATIKKU
DIPSTICK GUIDE	FØRER FOR PEILEPINNE	STYR TIL MÅLEPIND	ΟΔΗΓΟΣ ΡΑΒΔΟΥ ΕΜΒΑΠΤΗΣΗΣ	INDICADOR DA VARETA DE NÍVEL	MITTATIKUN OHJAIN
DISC	SKIVE	SPÆNDESKIVE	ΔΙΣΚΟΣ	DISCO	LEVY
DISC SPRING	SKIVEFJÆR	FJEDER TIL SPÆNDESKIVE	ΕΛΑΤΗΡΙΟ ΔΙΣΚΟΥ	MOLA DO DISCO	LAUTASJOUSI
DISC WHEEL	SKIVEHJUL	SPÆNDESKIVEHJUL	ΤΡΟΧΟΣ ΔΙΣΚΟΥ	VOLANTE DE DISCO	LEVYPYÖRÄ
DISCHARGE CAP	UTLØPSDEKSEL	AFLØBSDEKSEL	ΚΑΛΥΠΤΗΡΑ ΕΚΦΟΡΤΩΣΗΣ	TAMPA DE DESCARGA	POISTOUKON TULPPA
DISCHARGE PIPE	UTLØPSRØR	AFLØBSRØR	ΣΩΛΗΝΑΣ ΕΚΦΟΡΤΩΣΗΣ	TUBO DE DESCARGA	POISTOPUTKI
DISCHARGE SILENCER	LYDDEMPER (UTLØP)	LYDD-EMPER	ΣΙΓΑΣΤΗΡΑΣ ΕΚΦΟΡΤΩΣΗΣ	SILENCIADOR DE DESCARGA	ÄÄNENVAIMENNIN
DISCHARGE VALVE	UTLØPSVENTIL	AFLØBSVENTIL	ΒΑΛΒΙΔΑ ΕΚΦΟΡΤΩΣΗΣ	VÁLVULA DE DESCARGA	POISTOVENTTILI
DISHED END	KONKAV ENDE	KONKAV ENDE	ΔΙΑΠΛΑΤΣΜΕΝΟ ΑΚΡΟ ΘΘΟΝΗ	EXTREMIDADE ABAULADA	KUPERA PÄÄTYKAPPALE
DISPLAY	DISPLAY	DISPLAY	ΜΟΝΑΔΑ ΘΘΟΝΗΣ	PAINEL INDICADOR	NÄYTTÖRUUTU
DISPLAY MODULE	DISPLAYMODUL	DISPLAYMODUL	ΔΙΑΧΩΡΙΣΤΙΚΟΣ ΑΝΤΙΠΙΒΙΚΟΣ ΑΑΚΤΥΛΙΟΣ	MÓDULO INDICADOR	NÄYTTÖMODUULI
DISTANCE BUSH	AVSTANDSBØSSING	AFSTANDSBØSSNING	ΔΙΑΧΩΡΙΣΤΙΚΗ ΦΑΛΑΝΤΖΑ	CASQUILHO ESPAÇADOR	VÄLIKEHOLKKI
DISTANCE FLANGE	AVSTANDSFLENS	AFSTANDSFLENGE	ΔΙΑΧΩΡΙΣΤΙΚΗ ΦΑΛΑΝΤΖΑ	PRATO DE AFASTAMENTO	VÄLIKELAIPPA
DISTANCE PIECE	AVSTANDSSTYKKE	AFSTANDSSTYKKE	ΔΙΑΧΩΡΙΣΤΙΚΟ ΤΕΜΑΧΙΟ	PEÇA DE AFASTAMENTO	VÄLIKEKAPPALE
DISTANCE RING	AVSTANDSRING	AFSTANDSRING	ΔΙΑΧΩΡΙΣΤΙΚΟΣ ΑΑΚΤΥΛΙΟΣ	ANEL DE AFASTAMENTO	VÄLIKERENGAS
DISTANCE SCREW	AVSTANDSSKRUE	AFSTANDSSKRUE	ΔΙΑΧΩΡΙΣΤΙΚΟΣ ΚΟΧΛΙΑΣ	PARAFUSO DE AFASTAMENTO	VÄLKERUUVI
DOCUMENT HOLDER	DOKUMENTHOLDER	DOKUMENTHOLDER	ΘΗΚΗ ΕΓΓΡΑΦΩΝ	PORTA DOCUMENTOS	ASIAKASPERIKOTELO
DOG PLATE	MEDBRINGERSKIVE	MEDBRINGERPLADE/SKIVE	ΕΛΑΣΜΑ ΕΜΠΙΟΚΕΛΑ	PLACA DE GARRAS	VÄÄNTÖLAATTA
DOMED WASHER	SKRÅ SKIVE	HVÆLVET SKIVE	ΚΥΡΤΗ ΡΟΔΕΛΛΑ	ANILHA DE CÚPULA	KUPUMAINEN ALUSLAATTA
DOOR	DØR	DØR	ΠΟΡΤΑ	PORTA	OVI
DOOR HANDLE	DØRHÅNDTAK	DØRHÅNDTAG	ΧΕΙΡΟΑΓΧΗ ΠΟΡΤΑΣ	PUNHO DA PORTA	KÄDENSIJA
DOOR HOOK	HEKTE PÅ DØR	DØRKROG	ΜΑΝΑΛΟ ΠΟΡΤΑΣ	GANCHO DA PORTA	OVEN HAKA
DOOR LATCH	SLÅE	DØRKLINKE	ΣΥΡΤΗΣ ΠΟΡΤΑΣ	TRINCO DA PORTA	OVEN SALPA
DOOR LOCK	DØRLÅS	DØRLÅS	ΚΑΛΕΙΔΡΙΑ ΠΟΡΤΑΣ	TRANCA DA PORTA	OVEN LUKKO
DOOR PANEL	DØRPANEL	DØRPANEL	ΦΥΛΛΟ ΠΟΡΤΑΣ	PAINEL DA PORTA	OVIPANEELI
DOOR SHEET	DØRPLATE	DØRPLATE	ΦΥΛΛΟ ΠΟΡΤΑΣ	CHAPA DA PORTA	OVILEVY
DOWEL PIN	STYREPINNE	LÅSETAP	ΣΦΗΝΩΤΟΣ ΠΙΠΙΡΟΣ	PINO DE ENCAIXE	OHJAUSTAPPI
DRAIN	DRENERING	AFLØB	ΑΠΟΣΤΡΑΓΓΙΣΤΗΣ	DRENO / DRENAGEM	TYHJENNYSPUTKI
DRAIN COCK	DRENERINGSKRAN	AFTAPNINGSHANE	ΔΙΚΑΕΙΔΑ ΑΠΟΣΤΡΑΓΓΙΣΤΗΣ	TORNEIRA DE PURGA	TYHJENNYSHANA
DRAIN CONNECTION	TILKØPLING FOR DRENERING	TILSUTNING TIL AFLØB	ΣΥΝΔΕΣΗ ΑΠΟΣΤΡΑΓΓΙΣΤΗΣ	UNIÃO DE ESCOAMENTO	TYHJENNYSYHDE
DRAIN JOINT	DRENERINGSSKJØT	DR-ENFORBINDELSE	ΣΥΝΔΕΣΜΟΣ ΑΠΟΣΤΡΑΓΓΙΣΤΗΣ	JUNÇÃO DE ESCOAMENTO	TYHJENNYSLIITOS
DRAIN PAN	DRENERINGSSPANNE	AFLØBSSKÅL	ΔΕΚΑΝΗ ΑΠΟΣΤΡΑΓΓΙΣΤΗΣ	TANQUE DE PURGA	TYHJENNYSSASTIA
DRAIN PIPE	DRENERINGSRØR	AFTAPNINGSRØR	ΣΩΛΗΝΑΣ ΑΠΟΣΤΡΑΓΓΙΣΤΗΣ	TUBO DE ESCOAMENTO	TYHJENNYSPUTKI
DRAIN PLUG	DRENERINGSPLUGG	AFTAPNINGSPROP	ΤΑΠΗ ΑΠΟΣΤΡΑΓΓΙΣΤΗΣ	BUIÃO DE ESCOAMENTO	TYHJENNYSTULPPA
DRAIN RECEIVER	BEHOLDER FOR DRENERING	AFTAPNINGSBEHOLDER	ΣΥΛΛΕΚΤΗΣ ΑΠΟΣΤΡΑΓΓΙΣΤΗΣ	COLECTOR DE DRENAGEM	TYHJENNYSSÄILIÖ
DRAIN SCREW	DRENERINGSKRUE	AFTAPNINGSKRUE	ΚΟΧΛΙΑΣ ΑΠΟΣΤΡΑΓΓΙΣΤΗΣ	PARAFUSO DE PURGA	TYHJENNYSRUUVI
DRAIN STRIP	DRENERINGSLIST	AFLØBSLISTE	ΤΑΙΝΙΑ ΑΠΟΣΤΡΑΓΓΙΣΤΗΣ	FAIXA DO DRENO	TYHJENNYSPUTKEN LIUSKA
DRAIN VALVE	DRENERINGSVENTIL	AFTAPNINGSVENTIL	ΒΑΛΒΙΔΑ ΑΠΟΣΤΡΑΓΓΙΣΤΗΣ	VÁLVULA DE PURGA	TYHJENNYSENTTILI
DRAW LATCH	LÅSEBOLT	SVINGLÅS	ΣΥΡΤΗΣ ΑΠΟΣΤΡΑΓΓΙΣΤΗΣ	TRANCA DE ESCOAMENTO	VETOSALPA
DRIVE GEAR	DRIVVERK	DRIVHJUL	ΚΙΝΗΤΗΡΙΟ ΓΡΑΝΑΖΙ	ENGRENAGEM DE ACCIONAMENTO	KÄYTTÖPYÖRÄ
DRIVE HOUSING	DREVVHUS	DRIVHJUL	ΚΕΛΥΦΟΣ ΜΗΧΑΝΙΣΜΟΥ ΚΙΝΗΣΗΣ	ENCAIXE DE ACCIONAMENTO	KÄYTTÖKONEISTON KOTELO
DRIVE PULLEY	DRIVREM SKIVE	DRIVREMSKIVE	ΚΙΝΗΤΗΡΙΑ ΤΡΟΧΑΛΙΑ	POLIA DE ACCIONAMENTO	HINNAPYÖRÄ
DRIVE SCREW	DRIVSKRUE	DRIVSKRUE	ΚΙΝΗΤΗΡΙΟΣ ΚΟΧΛΙΑΣ	PARAFUSO DE ACCIONAMENTO	VETORUUVI
DRIVE SHAFT	DRIVAKSEL	DRIVAKSEL	ΚΙΝΗΤΗΡΙΟΣ ΑΞΟΝΑΣ	VEIO DE TRANSMISSÃO	KÄYTTÖAKSELI
DRIVING BELT	DRIVREM	DRIVREM	ΙΜΑΝΤΑΣ ΚΙΝΗΣΗΣ	CORREIA DE TRANSMISSÃO	KÄYTTÖHIHNA
DRIVING GEAR	DRIVTANDHJUL	DRIVTANDHJUL	ΓΡΑΝΑΖΙΑ ΚΙΝΗΣΗΣ	ENGRENAGEM DE ACCIONAMENTO	KÄYTTÖKONEISTO
DRIVING PUMP	DRIVPUMPE	DRIVPUMPE	ΑΝΤΑΙΑ ΚΙΝΗΣΗΣ	BOMBA DE ACCIONAMENTO	SIIRTOPUMPU
DRUM	TROMMEL	SPOLE	ΤΥΜΠΑΝΟ	TAMBOR	RUMPU
DRUM HUB	TROMMELNAV	SPOLENV	ΠΑΝΗΝΗ ΤΥΜΠΑΝΟΥ	EIXO DO TAMBOR	RUMMUN NAPA
DRYER	TØRKER	TØRREK	ΞΗΡΑΝΤΗΡΑΣ	SECADOR	KUIVAIN
DUCT	KANAL	KANAL	ΑΓΩΓΟΣ	CANAL	PUTKI
DUCT HOOD	KANALHETTE	KANALHETTE	ΚΑΛΥΜΜΑ ΑΓΩΓΟΥ	ANTEPARO DA CONDUTA	KAAPELIKOURUN KANSI
DUCT PLATE	LEDEPLATE	FORBINDELSPLADE	ΠΛΑΚΑ ΑΓΩΓΟΥ	PLACA DE CANAL	OHJAINLEVY
DUMMY	DEKSEL	ATTRAP	ΟΜΟΙΩΜΑ	FALSO	PEITEKAPPALE
DUO CLIP	LÅSERING	LÅSERING	ΔΙΠΛΗ ΛΑΒΙΑ	PINÇA DUPLA	LUKKORENGAS
DUST CUP	STØVBEHOLDER	STØVOPSAMLER	ΚΑΠΑΚΙ ΠΡΟΣΤΑΣΙΑΣ ΑΠΟΣΚΟΝΗΣ	COLECTOR DE POEIRAS	PÖLYSÄILIÖ
DUST PLATE	STØVPLATE	STØVPLADE	ΕΛΑΣΜΑ ΠΡΟΣΤΑΣΙΑΣ ΑΠΟΣΚΟΝΗΣ	PLACA DE POEIRAS	PÖLYNESTOLEVY
DUST RING	STØVRING	STØVRING	ΑΑΚΤΥΛΙΟΣ ΠΡΟΣΤΑΣΙΑΣ ΑΠΟΣΚΟΝΗΣ	ANEL DE POEIRAS	PÖLYNESTORENGAS
DUST SEAL	STØVTETNING	STØVPAKNING	ΠΙΣΤΑ ΠΡΟΣΤΑΣΙΑΣ ΑΠΟΣΚΟΝΗΣ	JUNTA DE VEDAÇÃO DE POEIRAS	PÖLYTIVISTE
DUST VALVE	STØVVENTIL	STØVVENTIL	ΒΑΛΒΙΔΑ ΠΡΟΣΤΑΣΙΑΣ ΑΠΟΣΚΟΝΗΣ	VÁLVULA DE POEIRAS	PÖLYNESTOVENTTILI
DYNAMO	DYNAMO	DYNAMO	ΔΥΝΑΜΟ	DINAMO	SÄHKÖGENERAATTORI

E

EARTH CABLE	JORDKABEL	JORDKABEL	ΚΑΛΩΔΙΟ ΓΕΙΩΣΗΣ	CABO DE LIGAÇÃO À MASSA	MAADOITUSKAAPELI
EARTH LEAK RELAY	JORDFEILRELÉ	JORDSTRØMSRELÆ	ΡΕΛΕ ΔΙΑΡΡΟΗΣ ΣΤΟ ΕΛΑΦΟΣ	CONTACTOR DE CORR. DE TERRA	MAAVUOTOURELE
EARTH MARK	JORDSYMBOL	JORDSYMBOL	ΣΗΜΕΙΟ ΓΕΙΩΣΗΣ	MARCA DE TERRA	MAAADOITUSMERKKI
EARTH PIN	JORDINGSSTIFT	JORDSPYD	ΠΙΠΙΡΟΣ ΓΕΙΩΣΗΣ	PINO DE LIGAÇÃO À MASSA	MAAADOITUSNASTA
EARTH RAIL	JORDINGSSKINNE	JORDINGSSKINNE	ΡΑΒΔΟΣ ΓΕΙΩΣΗΣ	CALHA DE LIGAÇÃO À MASSA	MAADOITUSKISKO
EARTH STRIP	JORDINGSLIST	JORBÅND	ΤΑΙΝΙΑ ΓΕΙΩΣΗΣ	CABO DE LIGAÇÃO À MASSA	MAADOITUSLIUSKA
EARTH TERMINAL	JORDINGSKLEMME	JORDKLEMME	ΑΚΡΟΔΕΚΤΗΣ ΓΕΙΩΣΗΣ	TERMINAL DE LIGAÇÃO À MASSA	MAADOITUSPINNE
ECCENTRIC RING	EKSENTERRING	EXCENTRISK RING	ΕΚΚΕΝΤΡΟΣ ΑΑΚΤΥΛΙΟΣ	ANEL EXCÊNTRICO	EPÄKESKORENGAS
EDGE PROTECTOR	KANTBESKYTTER	HJØRNEBESKYTTER	ΠΡΟΣΤΑΤΕΥΤΙΚΟ ΑΙΧΜΗΣ	PROTECTOR DE CANTOS	KULMAN SUOJAIN
EJECTOR	EJEKTOR	EJEKTOR	ΕΞΟΑΚΕΑΣ	EJECTOR	EJEKTORI
ELASTIC PIN	ELASTISK PINNE	EL. LUFTFILTER	ΕΛΑΣΤΙΚΟΣ ΠΙΠΙΡΟΣ	PERNO ELÁSTICO	JOUSTAVA TAPPI
ELBOW	ALBU	ELASTISK STIFT	ΓΩΝΙΑ	COTOVELO	PUTKIKÄYRÄ
ELBOW COUPLING	BEND	RØRVINKEL	ΓΩΝΙΑΚΟΣ ΣΥΝΔΕΣΜΟΣ	ACOPLEMENTO EM FORMA DE COTOVELO	KULMAYHDE
ELBOW FITTING	BEND	KNÆKOBLING	ΓΩΝΙΑΚΟ ΕΞΑΡΤΗΜΑ	ACCESSÓRIO EM FORMA DE COTOVELO	KULMAYHDE
ELBOW PIPE	RØRKNÆ	KNÆRØR	ΓΩΝΙΑΚΟΣ ΣΩΛΗΝΑΣ	TUBO EM FORMA DE COTOVELO	KULMAPUTKI
ELBOW REDUCER	KNEREDUKSJON	RØRKNÆ	ΓΩΝΙΑΚΟΣ ΜΕΙΩΤΗΡΑΣ	REDUTOR EM FORMA DE COTOVELO	KULMASUPISTIN
ELBOW UNION	KOPLINGSALBU	KNÆSAMLING	ΓΩΝΙΑΚΗ ΕΝΩΣΗ	UNIÃO EM COTOVELO	KULMAYHDE
ELECTRIC AIR FILTER	EL. LUFTFILTER	RØRVINKELKOBLING	ΣΤΟΙΧΕΙΟ ΦΙΑΤΡΟΥ ΑΕΡΑ	FILTRO DO AR ELÁSTICO	SÄHKÖTOIMINEN ILMANSUODATIN
ELECTROLYTE	ELEKTROLYTT	ELEKTROLYT	ΗΛΕΚΤΡΟΛΥΤΗΣ	ELECTRÓLITO	ELEKTROLYTTI
ELEMENT	ELEMENT	ELEMENT	ΣΤΟΙΧΕΙΟ	ELEMENTO	ELEMENTTI
EMERGENCY RELAY	NØDSTOPPRELÉ	NØDRELÆ	ΡΕΛΕ ΕΚΤΑΚΤΟΥ ΑΝΑΓΚΗΣ	RELÉ DE EMERGÊNCIA	HÄTÄRELE
EMERGENCY STOP	NØDSTOPP	NØDSTOP	ΣΤΟΠ ΕΚΤΑΚΤΟΥ ΑΝΑΓΚΗΣ	PARAGEM DE EMERGÊNCIA	HÄTÄKYTKIN
EMERGENCY VALVE	NØDVENTIL	NØDVENTIL	ΒΑΛΒΙΔΑ ΕΚΤΑΚΤΟΥ ΑΝΑΓΚΗΣ	VÁLVULA DE EMERGÊNCIA	VAROVENTTILI
END	ENDE	ENDE	ΑΚΡΟ	EXTREMIDADE	PÄÄTEKAPPALE
END BRACKET	STOPPBRACKETT	ENDEKONSOL	ΑΚΡΑΙΟ ΜΠΡΑΚΕΤΟ	SUPORTE TERMINAL	PÄÄTYKANNATIN
END CAP	ENDEHETTE	ENDEHETTE	ΑΚΡΑΙΟ ΚΑΠΑΚΙ	TAMPA TERMINAL	PÄÄTYTULPPA
END FRAME	ENDERAMME	ENDERAMME	ΑΚΡΑΙΟ ΠΛΑΙΣΙΟ	ESTRUTURA FINAL	PÄÄTYRUNKO

ENGLISH	NEDERLANDS	FRANCAIS	DEUTSCH	ESPAÑOL	SVENSKA	ITALIANO
END PANEL	EINDPANEEL	PANNEAU D'EXTREMITÉ	ENDPANEEL	PANEL EXTREMO	ÄNDPANEL	PANNELLO D'ESTREMITÀ
END PLATE	EINDPLAAT	PLAQUE D'EXTREMITÉ	ENDPLATTE	PLACA EXTREMA	ÄNDRICKA	PIASTRA D'ESTREMITÀ
END SECTION	EINDSTUK	SECTION D'EXTREMITÉ	ENDSTÜCK	SECCIÓN EXTREMA	ÄNDSTYCKE	SEZIONE D'ESTREMITÀ
END SOCKET	EINDMOF	DOUILLE D'EXTREMITÉ	ENDMUFFE	CASQUILLO EXTREMO	ÄNDHYLSA	PRESA D'ESTREMITÀ
END STOP	AANSLAG	BUTÉE	ENDANSCHLAG	FRENO DEL EXTREMO	ÄNDSTOPP	BLOCCO D'ESTREMITÀ
ENGINE	MOTOR	MOTEUR	MOTOR	MOTOR	MOTOR	MOTORE
ENGINE COOLING FAN	MOTORVENTILATOR	VENTILATEUR DU MOTEUR	MOTORKÜHLLÜFTER	VENT. DEL. MOTOR	MOTORFLÅKT	VENTIL. RAFFREDD. MOTORE
ENGINE OIL	MOTOROLIE	HUILE POUR MOTEUR	MOTORÖL	ACEITE DEL DISPOSITIVO	MOTOROLIA	OLIO DEL MOTORE
ENGINE OIL PRESSURE	MOTOROLIEDRUK	PRESSION HUILE POUR MOTEUR	MOTORÖLDRUCK	PRESIÓN DE ACEITE DEL DISPOSITIVO	OLJETRYCK MOTOR	PRESSIONE DELL'OLIO DEL MOTORE
ENGINE OUTLET DUCT	UITLAATPIJP MOTOR	TUYAU D'ÉCHAPPEMENT	MOTORAUSSASSROHRLEITUNG	CONDUCTOR DESALIDA DEL DISP.	AVLOPPSLEDNING MOTOR	CONDOTTO DI USCITA DEL MOTORE
ENGINE ROCKER COVER	KLEPDEKSEL MOTOR	MOTEUR CACHE-CULBUTEUR	ZYLINDERKOPFDECKEL	CUBIERTA BALANCÍN DEL DISP.	VIPLOCK MOTOR	COPERCHIO DEL. BILANC. DEL. MOTORE
ENGINE SHUTDOWN	UITSCHAKELEN MOTOR	ARRÊT DU MOTEUR	MOTORABSCHALTUNG	APAGADO DE DISPOSITIVO	MOTORSTOPP	ARRESTO DEL MOTORE
ENGINE SUPPORT	MOTORSTEUN	SUPPORT DU MOTEUR	MOTORKONSOLE-/AUFNAHME	SOPORTE DEL DISPOSITIVO	MOTORSTÖD	SUPPORTO DEL MOTORE
ENGINE WATER TEMPERATURE	WATERTEMPERATUUR VAN MOTOR	TEMPÉRATURE EAU DE MOTEUR	KÜHLWASSERTEMPÉRATUR	TEMPERATURA DEL AGUA DEL DISP.	VATTENTEMPÉRATUR MOTOR	TEMPERATURA DELL'ACQUA DEL MOTORE
ENLARGING SLEEVE	VERGRÖTINGSHULS	MANCHON	VERWEITERUNGSBÜCHSE	MANGUTO DE ALARGUE	FÖRSTÖRINGSHYLSA	MANICOTTO PER INGRANDIMENTI
EQUALIZER	VEREFFENAAR	LEVIER DE COMPENSATION	AUSGLEICHER	ECUALIZADOR	UTJÄMNARE	EQUILIBRATORE
EXCHANGER	WISSELAAR	ECHANGEUR	AUSTAUSCHER	INTERCAMBIADOR	VÄXLARE	SCAMBIATORE
EXHAUST	UITLAAT	ÉCHAPPEMENT	AUSPUFF	TUBO DE ESCAPE	AVGAS	SCARICO
EXHAUST BLANKET	UITLAATMANTSEL	COUVERTURE D'ÉCHAPPEMENT	AUSPUFFDECKE	CAPA PROTECTORA DEL ESCAPE	AVGASMANTEL	COPERTA DELLO SCARICO
EXHAUST CAP	UITLAATDEKSEL	CHAPE D'ÉCHAPPEMENT	AUSPUFFKAPPE	CUBIERTA DEL ESCAPE	AVGASLOCK	CAPPELLO DELLO SCARICO
EXHAUST COVER	UITLAATDEKSEL	COUVERCLE D'ÉCHAPPEMENT	ABGASDECKEL	TAPA DE ESCAPE	AVGASLOCK	COPERCHIO DELLO SCARICO
EXHAUST DUCT	UITLAATKANAAAL	CONDUIT D'ÉCHAPPEMENT	ABGASLEITUNG	COND. DE ESCAPE	AVGASLEDNING	CONDOTTO DI SCARICO
EXHAUST EXTENSION	VERLENGING UITLAAT	EXTENSION D'ÉCHAPPEMENT	AUSPUFFVERLÄNGERUNG	EXTENSIÓN DE ESCAPE	AVGASFÖRLÄNGNING	ESTENSIONE DELLO SCARICO
EXHAUST PIPE	UITLAATPIJP	TUYAU D'ÉCHAPPEMENT	AUSPUFFROHR	TUBO DE ESCAPE	AVGASRÖR	TUBO DI SCARICO
EXHAUST SILENCER	GELUIDDEMPER UITLAAT	SILENCIEUX	SCHALLDÄMPFER	SILENCIADOR DEL ESCAPE	AVGASDÄMPARE	SILENZIATORE DELLO SCARICO
EXHAUST SUPPORT	STEUN UITLAAT	SUPPORT D'ÉCHAPPEMENT	AUSPUFFSTÜTZE	SOPORTE DE ESCAPE	AVGASSTÖD	SUPPORTO DELLO SCARICO
EXPANDER	EXPANSIEPIJP	TUBE D'EXPANSION	EXPANSIONSROHR	TUBO DE EXPANSIÓN	EXPANS. FÖRSTÄRK.	ESPANSORE
EXPANSION CHAMBER	EXPANSIEKAMER	CHAMBRE D'EXPANSION	AUSGLEICHBEHÄLTNER	CÁMARA DE EXPANSIÓN	EXPANSIONSKÄMARE	CAMERA DI ESPANSIONE
EXPANSION TANK	EXPANSIEVAT	VASE D'EXPANSION	EXPANSIONSGEFÄSS	TANQUE DE EXPANSIÓN	EXPANSIONSTANK	SERBATOIO DI ALIMENTAZIONE
EXPANSION VALVE	EXPANSIEVENTIEL	SOUPAPE DE DETENTE	EXPANSIONSVENTIL	VÁLV. DE EXPANSIÓN	EXPANSIONSVENTIL	VALVOLA DI ESPANSIONE
EXPANSION VESSEL	EXPANSIEKETEL	RESERVOIR D'EXPANSION	AUSDEHNUNGSGEFÄSS	DÉPÔS. EXPANSIÓN	EXPANSIONSKÄRL	RECIPENTE DI ESPANSIONE
EXTENSION	VERLENGING	ALLONGEMENT	VERLÄNGERUNG	PIEZA DE EXTENSIÓN	FÖRLÄNGNING	PROLUNGA
EXTENSION PIPE	VERLENGBUIS	TUYAU D'EXTENSION	AUSGLEICHRÖHR	TUBERÍA DE EXTENSIÓN	FÖRLÄNGNINGSRÖR	PROLUNGA
EXTINGUISHER	BRANDBLUSSER	EXTINCTEUR	FEUERLÖSCHER	EXTINTOR	ELDSLÄCKNINGSDON	ESTINTORE
EXTRACTOR	KLEPPLICHTER	EXTRACTEUR	AUSZIEHER	EXTRACTOR	LYFTVERKTYG	ESTRATTORE
EYE	OOG	ANNEAU	ÖSE	ANILLA REMOLQUE	ÖGLA	OCCHIELLO
EYE 50 MM	SLEEPOOG 50 MM	ANNEAU 50 MM	ÖSE 50 MM	OJO 50 MM	ÖGLA 50 MM	OCCHIELLO 50 MM
EYE AC	SLEEPOOG AC	ANNEAU AC	ÖSE AC	OJO CA	ÖGLA VÄXELSTRÖM	OCCHIELLO CA
EYE HOUSING	TREKOOGHUIS	CAGE, ANNEAU	ZÜGÖSENGEHÄUSE	RECINTO DE ANILLA REMOL.	HUS, DRAGÖGLA	ALLOGGIAMENTO DELL'OCCHIONE
EYE ITA	SLEEPOOG ITA	ANNEAU ITA	ÖSE ITA	OJO ITA	ÖGLA ITA	OCCHIELLO ITA
EYE NATO	SLEEPOOG NATO	ANNEAU NATO	ÖSE NATO	OJO NATO	ÖGLA NATO	OCCHIELLO NATO

F

FAN	VENTILATOR	VENTILATEUR	VENTILATORLÜFTER	VENTILADOR	FLÅKT	VENTILATORE
FAN ADAPTOR	ADAPTER VENTILATOR	ADAPTATEUR DE VENTILATEUR	LÜFTERADAPTER	ADAPTADOR DEL VENTILADOR	FLÅKTADAPTER	ADATTATORE DEL VENTILATORE
FAN BLADE	VENTILATORBLAD	PALE DE VENTILATEUR	VENTILATORFLÜGEL	ALETA DE VENTILADOR	FLÅKTBLAD	PALA DEL VENTILATORE
FAN COWL	VENTILATORHUIS	CAGE, VENTILATEUR	VENTILATORHAUBE	CAJA DEL VENTILADOR	FLÅKTRUMMA	CAPPOTTATURA DEL VENTILATORE
FAN DRIVE BELT	VENTILATORRIEM	COURROIE DE VENTILATEUR	LÜFTERANTRIEBSRIEMEN	CORREA COND. DEL VENTILADOR	DRIVREM FLÅKT	CINGHIA DI TRASM. DEL VENTILATORE
FAN GUARD	VENTILATORSCHERM	PROTECTEUR VENTILATEUR	VENTILATORSCHUTZ	PROTECCIÓN DEL VENTILADOR	FLÅKTSKYDD	PROTEZIONE DEL VENTILATORE
FAN GUIDE	VENTILATORGELEIDER	GUIDE DE VENTILATEUR	VENTILATORFÜHRUNG	GUÍA DE VENTILADOR	FLÅKTSYRNING	GUIDA DEL VENTILATORE
FAN HOUSING	VENTILATORBEHUIZING	ENVELOPE DE VENTILAT.	VENTILATORGEHÄUSE	CAJA DEL VENTILADOR	FLÅKTHUS	ALLOGGIO DEL VENTILATORE
FAN HUB	VENTILATORNAAF	MOYEU DE VENTILATEUR	VENTILATORNABE	CUBO DEL VENTILADOR	FLÅKTNAV	MOZZO DEL VENTILATORE
FAN MOTOR	VENTILATORMOTOR	MOTEUR DE VENTILATEUR	VENTILATORMOTOR	MOTOR DEL VENTILADOR	FLÅKTMOTOR	MOTORE DEL VENTILATORE
FAN PULLLEY	VENTILATORSCHIJF	POULIE DE VENTILATEUR	LÜFTERRIEMENSCHIBE	POLEA DEL VENTILADOR	REMSKIVA FLÅKT	PULEGGIA DEL VENTILATORE
FAN RING	VENTILATORRING	ANNEAU DE VENTILATEUR	VENTILATORRING	ANILLO DEL VENTILADOR	FLÅKTRING	ANELLO DEL VENTILATORE
FAN SCREEN	AFSCHERMING VENTILATOR	ECRAN DE VENTILATEUR	LÜFTERABDECKUNG	PANTALLA DEL VENTILADOR	FLÅKTSKÄRM	SCHERMO DEL VENTILATORE
FAN SHAFT	VENTILATORAS	ARBRE DE VENTILATEUR	VENTILATORWELLE	EJE DEL VENTILADOR	FLÅKTAXEL	ALBERO DEL VENTILATORE
FAN SPACER	AFASTANDSTUK VENTILATOR	ESPACEMENT DE VENTILATEUR	LÜFTERABSTANDSTÜCK	ESPACIADOR DEL VENTILADOR	DISTANSSTYCKE FLÅKT	DISTANZIATORE DEL VENTILATORE
FAN SUPPORT	VENTILATORSTEUN	SUPPORT DE VENTILATEUR	VENTILATORSTÜTZE	SOPORTE DEL VENTILADOR	FLÅKTSATIV	SUPPORTO DEL VENTILATORE
FASCIA PANEL	INSTRUMENTENBORD	PANNEAU FACIAL	INSTRUMENTENBRETT	PANEL DE INSTRUMENTACIÓN	INSTRUMENTPANEL	PANNELLO STRUMENTI
FASTENER	BEVESTIGING	ATTACHE	BEFESTIGUNGSELEMENT	FIJADOR	FÄSTE	DISPOSITIVO DI FISSAGGIO
FASTENING PLATE	BEVESTIGINGSPLAAT	PLAQUE DE FIXATION	BEFESTIGUNGSPLATTE	PLACA DE FIJACIÓN	FÄSTPLÅT	PIASTRA DI FISSAGGIO
FEELER GAUGE	VOELMAAT	INDICATEUR	FÜHLERLEHRE	GALGA DE ESPESORES	BLADMÅTT	SPESIMETRO
FELT DISK	VILTSCHIJF	DISQUE FEUTRE	FILZSCHEIBE	DISCO DE FIELTRO	FILTSKIVA	DISCO DI FELTRO
FELT FILTER ELEMENT	FILTERELEMENT (VILT)	FILTRE (FEUTRE)	FILTERELEMENT (FILZ)	FILTRO (FIELTRO)	FILTERELEMENT (FILT)	ELEMENTO FILTRANTE (FELTRO)
FEMALE FITTING	VR. KOPPELING	RACCORD FEMELLE	AUFN. VERBINDUNGSELEMENT	CONECTOR HEMBRA	INNERGÅNGA	ACCESSORIO FEMMINA
FEMALE ROTOR	VROUWELIJKE ROTOR	ROTOR FEMELLE	NEBENLÄUFER	ROTOR HEMBRA	SLIDROTOR	ROTORE FEMMINA
FEMALE SWIVEL	VR. WARTEL	PIVOT FEMELLE	AUFNEHMENDES DREHGELENK	PLACA GIRATORIA HEMBRA	INRE SVÅNGHJUL	PORTE GIREVOLE FEMMINA
FERRULE	METALEN DOP	BAGUE	ZWINGE	CASQUILLO	BESLAG	GHIERA
FIBRE MAT	FIBER MAT	TAPIS DE FIBRE	FASERMATTE	PLACA DE FIBRA	FIBERMATTA	FELTRO IN FIBRE
FIBRE PLATE	FIBER PLAAT	PLAQUE DE FIBRE	FASERPLATTE	PLACA DE FIBRA	FIBERPLATTA	PIASTRA IN FIBRE
FIELD, EXCITER-	VELD, OPWEKKER	CHAMP EXCITATEUR	FELD, ERREGER	EXCITADOR DE CAMPO	FÄLT, IMPULSGIVARE	ECCTIATRICE DI CAMPO
FIELD COIL	VELDSPOEL	BOBINE DE CHAMP	FELDSPULE	BOBINA DE CAMPO	FÄLTPOLE	BOBINA DI CAMPO
FIELD CORE	VELDKERN	NOYAU DE CHAMP	FELDKERN	NÚCLEO DE CAMPO	FÄLTKÄRNA	NUCLEO DI CAMPO
FILL LINE	VULMATERIAAL	LIGNE DE REMPLISSAGE	FÜLLEITUNG	LINEA DE LLENADO	PÄFYLLNINGSLINE	LINEA DI RIEMPIMENTO
FILLER CAP	VULDOP	BOUCHON, REMPLISSAGE	EINFÜLLKAPPE	TAPÓN DE LLENADO	PÄFYLLNINGSLÖCK	COPERCHIO DEL TUBO DI RIEMPIMENTO
FILLER NECK	VULHALS	TUBULURE DE REMPLISSAGE	EINFÜLLSTUTZEN	EMBUDO DE LLENADO	PÄFYLLNINGSHALS	COLLO DEL TUBO DI RIEMPIMENTO
FILLER PIPE	VULBUIS	TUYAU DE REMPLISSAGE	EINFÜLLROHR	TUBO DE LLENADO	PÄFYLLNINGSRÖR	TUBO DI RIEMPIMENTO
FILLER PLUG	VULPLUG	BOUCHON DE REMPLISSAGE	EINFÜLLVERSCHLUSS	TAPÓN DE LLENADO	PÄFYLLNINGSSKRUV	TAPPO DI RIEMPIMENTO
FILLER TUBE	VULBUIS	TUBE DE REMPLISSAGE	EINFÜLLROHR	TUBO DE LLENADO	PÄFYLLNINGSRÖR	TUBO DI RIEMPIMENTO
FILTER	FILTER	FILTRE	FILTER	FILTRO	FILTER	FILTRO
FILTER BODY	FILTERLICHAM	CORPS DE FILTRE	FILTERKÖRPER	CUERPO DEL FILTRO	FILTERHUS	CORPO DEL FILTRO
FILTER COVER	FILTERDEKSEL	COUVERCLE DE FILTRE	FILTERABDECKUNG	CUBIERTA DEL FILTRO	FILTERLOCK	COPERTURA DEL FILTRO
FILTER DISC	FILTERSCHIJF	DISQUE FILTREUR	FILTERRAHMEN	DISCO DEL FILTRO	FILTERSKIVA	DISCO DEL FILTRO
FILTER DUO PACK	DUO FILTER	FILTRE DOUBLE	DOPPELFILTER	CONJUNTO DUO DEL FILTRO	DUBBELPACKNING FILTER	BI-PACCHETTO DEL FILTRO
FILTER ELEMENT	FILTERELEMENT	ELEMENT DE FILTRE	FILTERELEMENT	ELEMENTO DEL FILTRO	FILTERELEMENT	ELEMENTO FILTRANTE
FILTER HEAD	FILTERKOP	TÊTE DE FILTRE	FILTERKOPF	CABEZA DEL FILTRO	FILTERHUVUD	TESTA DEL FILTRO
FILTER HOUSING	FILTERHUIS	BOÎTIER DE FILTRE	FILTERGEHÄUSE	RECINTO DEL FILTRO	FILTERHUS	ALLOGGIO DEL FILTRO
FILTER PLATE	FILTERPLAAT	PLAQUE DE FILTRE	FILTERPLATTE	PLACA DEL FILTRO	FILTERPLATTA	PIASTRA DEL FILTRO
FILTER SUPPORT	FILTERSTEUN	SUPPORT DE FILTRE	FILTERAUFNAHME	SOPORTE DEL FILTRO	FILTERSTÖD	SUPPORTO DEL FILTRO
FILTER TUBE	FILTERBUIS	TUYAU DE FILTRE	FILTERROHR	TUBO DEL FILTRO	FILTERRÖR	TUBO DEL FILTRO
FILTER, COMPL.	FILTER, COMPLETEET	FILTRE COMPLET	FILTER, KOMPL.	FILTRO, COMPLETO	FILTER, KOMPL.	FILTRO, COMPLETO
FILTERHOOD	FILTERKAP	CAPOT DE FILTRE	FILTERKAPPE	CUBIERTA DEL FILTRO	FILTERKÅPA	CAPPUCIO DEL FILTRO
FILTERWOOL	FILTERWOL	LAINE FILTRANTE	FILTERWOLLE	LANA FILTRANTE	FILTERULL	LANA FILTRANTE
FINAL FILTER	EINDFILTER	FILTRE FINAL	ENDFILTER	FILTRO FINAL	FINFILTER	FILTRO FINALE
FIRE EXTINGUISHER	BRANDBLUSSER	EXTINCTEUR	FEUERLÖSCHER	EXTINTOR DE INCENDIOS	BRANDSLÄCKARE	ESTINTORE
FIT BOLT	MONTAGEBOUT	BOULON DE MONTAGE	PASSBOLZEN	PERNO DE MONTAJE	MONTERINGSBULT	BULLONE DI ACCOPPIAMENTO
FITTING	FITTING	RACCORD	ANSCHLUSSSTÜCK	ACCESORIO	ARMATUR	ACCESSORIO
FITTING TOOL	MONTAGEWERKTUIG	OUTIL DE FIXATION	MONTAGEWERKZEUG	HERRAMIENTA DE MONTAJE	MONTERINGSVERKTYG	UTENSILE DI MONTAGGIO

ENGLISH	NORSK	DANSK	ΕΛΛΗΝΙΚΑ	PORTUGUÊS	SUOMI
END PANEL	ENDEPANEL	ENDEPANEL	ΑΚΡΑΙΟ ΦΥΛΑΟ	PAINEL FINAL	PÄÄTYLEVY
END PLATE	ENDEPLATE	ENDEPLATE	ΑΚΡΑΙΟ ΕΛΑΣΜΑ	PLACA FINAL	PÄÄTYLEVY
END SECTION	ENDESTYKKE	ENDESTYKKE	ΑΚΡΑΙΟ ΤΜΗΜΑ	SEÇÃO FINAL	PÄÄTYKAPPALE
END SOCKET	ENDEHYLSE	ENDEMUFFE	ΑΚΡΑΙΑ ΥΠΟΛΟΧΗ	TOMADA TERMINAL	PÄÄTYHOLKKI
END STOP	ENDESTOPPER	ENDESTOP	ΑΚΡΑΙΑ ΑΝΑΚΟΠΗ	PONTO TERMINAL	PÄÄTEPYSÄYTIN
ENGINE	MOTOR	MOTOR	ΚΙΝΗΤΗΡΑΣ	MOTOR	MOOTTORI
ENGINE COOLING FAN	MOTORKJØLEVIFTE	MOTORAFKØLINGSVENTILATOR	ΑΝΕΜΙΣΤΗΡΑΣ ΨΥΞΗΣ ΚΙΝΗΤΗΡΑ	VENTOÍNHA DE REFR. DO MOTOR	MOOTTORIN JÄÄHDYTYSTUULETIN
ENGINE OIL	MOTOROLJE	MOTOROLIE	ΕΛΑΙΟ ΚΙΝΗΤΗΡΑ	ÓLEO DO MOTOR	MOOTTORIÖLJY
ENGINE OIL PRESSURE	MOTORENS OLJETRYKK	MOTORENS OLJETRYKK	ΠΙΣΤΗ ΕΛΑΙΟΥ ΚΙΝΗΤΗΡΑ	PRESSÃO DO ÓLEO DO MOTOR	MOOTTORIN ÖLJYNPAINE
ENGINE OUTLET DUCT	MOTORENS UTLØBSKANAL	MOTORENS UTLØBSKANAL	ΑΓΩΓΟΣ ΕΞΑΓΩΓΗΣ ΚΙΝΗΤΗΡΑ	CONDUTA DE SAÍDA DO MOTOR	MOOTTORIN PAKOPUTKI
ENGINE ROCKER COVER	VENTILDEKSEL	VENTILDEKSEL	ΚΑΛΥΜΜΑ ΔΙΕΣΤΗΡΑ ΚΙΝΗΤΗΡΑ	COBERTURA BASCULANTE DO MOTOR	MOOTTORIN KÄÄNTÖKANSI
ENGINE SHUTDOWN	MOTORSTOPP	MOTORSTOP	ΣΒΕΣΙΜΟ ΚΙΝΗΤΗΡΑ	PARAGEM DO MOTOR	MOOTTORIN PYSÄYTYS
ENGINE SUPPORT	MOTOROPPHENG, MOTORSTØTTE	MOTORUNDERLAG-OPHÆNG	ΒΑΣΗ ΚΙΝΗΤΗΡΑ, ΣΤΗΡΙΞΗ ΚΙΝΗΤΗΡΑ	APOIO DO MOTOR	MOOTTORINTUKI
ENGINE WATER TEMPERATURE	MOTORENS SKOLEVANSTEMPERAUR	MOTORENS SKOLEVANSTEMPERAUR	ΘΕΡΜΟΚΡΑΣΙΑ ΝΕΡΟΥ ΚΙΝΗΤΗΡΑ	TEMPERATURA DA ÁGUA DO MOTOR	MOOTTORIN VEDENLÄMPÖTILA
ENLARGING SLEEVE	FØRSTØRRELSESHYLSE	FØRSTØRRELSESBØSNING	ΑΙΣΤΗΡΑΙΟ ΧΙΤΩΝΙΟ	MANGA DE EXPANSÃO	LAAJENNUSHOLKKI
EQUALIZER	EQUALIZER	UDLIGNER	ΙΣΟΣΤΑΘΜΙΣΤΗΣ	COMPENSADOR	TASAIN
EXCHANGER	VEKSLER	OMSKIFTER	ΕΝΑΛΛΑΚΤΗΣ	PERMUTADOR	VAIHدين
EXHAUST	UTLØP	UDSTØDNING	ΕΞΑΓΩΓΗ	ESCAPE	POISTO, PAKO
EXHAUST BLANKET	EKSOSMANTEL	UDSTØDNINGSSKAPPE	ΠΕΡΙΒΑΛΜΑ ΕΞΑΓΩΓΗΣ	COBERTOR DE ESCAPE	POISTOPUOLEN LÄMPÖERISTE
EXHAUST CAP	EKSOSHETTE	UDSTØDNINGSHETTE	ΚΑΛΥΜΜΑ ΕΞΑΓΩΓΗΣ	TAMPA DE ESCAPE	POISTOPUOLEN KANSI
EXHAUST COVER	EKSOSDEKSEL	UDSTØDNINGSSKÆRM	ΚΑΛΥΜΜΑ ΕΞΑΓΩΓΗΣ	COBERTURA DO ESCAPE	POISTOPUOLEN KANSI
EXHAUST DUCT	EKSOSLEDNING	UDSTØDNINGSKABEL	ΑΓΩΓΟΣ ΕΞΑΓΩΓΗΣ	CONDUTA DE ESCAPE	PAKOKANAVA
EXHAUST EXTENSION	EKSOSFORLÆNGER	UDSTØDNINGSFØRLENGER	ΠΡΟΕΚΤΑΣΗ ΕΞΑΓΩΓΗΣ	EXTENSÃO DE ESCAPE	PAKOPUTUKEN JATKOKAPPALE
EXHAUST PIPE	EKSOSRØR	UDSTØDNINGSRØR	ΣΩΛΗΝΑΣ ΕΞΑΓΩΓΗΣ	TUBO DE ESCAPE	PAKOPUTKI
EXHAUST SILENCER	EKSOSPOTTE	LYDPOTTE	ΣΙΓΑΣΤΗΡΑΣ ΕΞΑΓΩΓΗΣ	SILENCIADOR DE ESCAPE	PAKOPUTKEN ÄÄNENVAIMENNIN
EXHAUST SUPPORT	EKSOSOPPHENG	UDSTØDNINGSOPIHÆNG	ΒΑΣΗ ΕΞΑΓΩΓΗΣ	APOIO DE ESCAPE	PAKOPUTKEN KANNATIN
EXPANDER	EKSPANDER	FØRSTØRCKER	ΑΙΣΤΗΡΑΣ	EXPANSOR	TASAPUTKI
EXPANSION CHAMBER	EKSPANSJONSKAMMER	EKSPANSJONSKAMMER	ΘΑΛΑΜΟΣ ΕΚΤΩΝΩΣΗΣ	CÂMARA DE EXPANSÃO	PAISUNTAKAMMIO
EXPANSION TANK	EKSPANSJONSTANK	EKSPANSJONSTANK	ΔΟΧΕΙΟ ΑΙΣΤΩΣΗΣ	TANQUE DE EXPANSÃO	PAISUNTASÄILIÖ
EXPANSION VALVE	EKSPANSJONSVENTIL	EKSPANSJONSVENTIL	ΒΑΛΒΙΔΑ ΑΙΣΤΩΣΗΣ	VÁLVULA DE EXPANSÃO	PAISUNTAVENTTILI
EXPANSION VESSEL	EKSPANSJONSBEHOLDER	EKSPANSJONSBEHOLDER	ΔΟΧΕΙΟ ΑΙΣΤΩΣΗΣ	RESERVATÓRIO DE EXPANSÃO	PAISUNTA-ASTIA
EXTENSION	FØRLENGING	FØRLENGER	ΠΡΟΕΚΤΑΣΗ	EXTENSÃO	JATKE
EXTENSION PIPE	FØRLENGELESRØR	FØRLENGELESRØR	ΣΩΛΗΝΑΣ ΠΡΟΕΚΤΑΣΗΣ	TUBO DE EXPANSÃO	JATKOPUTKI
EXTINGUISHER	BRANNLOKKINGSAPPARAT	ILDLUKKER	ΠΥΡΟΣΒΕΣΤΗΡΑΣ	EXTINTOR	SAMMUTIN
EXTRACTOR	UTTREKKER	LØFTEVERKTØJ	ΕΞΟΧΕΑΣ	EXTRACTOR	IRROTUSTYÖKALU
EYE	ØYE	LØFTEØJE	ΑΚΤΥΛΙΟΣ	OLHAL	SILMUKKA
EYE 50 MM	ØYE 50 MM	ØJE 50 MM	ΑΚΤΥΛΙΟΣ 50 MM	OLHAL DE 50 MM	VETOSILMUKKA 50MM
EYE AC	ØYE AC	ØJE AC	ΑΚΤΥΛΙΟΣ ΑC	OLHAL DE CA	VETOSILMUKKA AC
EYE HOUSING	HUS FOR TREKKØYE	SKÆRM TIL LØFTEØJE	ΚΕΛΥΦΟΣ ΑΚΤΥΛΙΟΥ	CAIXA DO OLHAL	VETOSILMUKAN KOTELO
EYE ITA	ØYE ITA	ØJE ITA	ΑΚΤΥΛΙΟΣ ITA	OLHALITA	VETOSILMUKKA ITA
EYE NATO	ØYE NATO	ØJE NATO	ΑΚΤΥΛΙΟΣ NATO	OLHALNATO	VETOSILMUKKA NATO

F					
FAN	VIFTE	VENTILATOR	ΑΝΕΜΙΣΤΗΡΑΣ	VENTOÍNHA	TUULETIN
FAN ADAPTOR	VIFTEADAPTER	VENTILATORADAPTER	ΠΡΟΣΑΡΜΟΓΕΑΣ ΑΝΕΜΙΣΤΗΡΑ	ADAPTADOR DA VENTOÍNHA	TUULETTIMEN SOVITIN
FAN BLADE	VIFTEBLAD	VENTILATORVINGE	ΠΤΕΡΥΓΙΟ ΑΝΕΜΙΣΤΗΡΑ	PÁ DA VENTOÍNHA	TUULETTIMEN LAPA
FAN COWL	VIFTEKAPPE	VENTILATORHETTE	ΜΥΘΗ ΑΝΕΜΙΣΤΗΡΑ	COBERTURA DA VENTOÍNHA	TUULETTIMEN KEHYŠ
FAN DRIVE BELT	VIFTEREM	VENTILATORREM	ΙΜΑΝΤΑΣ ΚΙΝΗΣΗΣ ΑΝΕΜΙΣΤΗΡΑ	CORREIA ACCIONADORA DA VENTOÍNHA	TUULETTIMEN HIHNÄ
FAN GUARD	VIFTEVERN	VENTILATORSKÆRM	ΠΡΟΦΥΛΑΚΤΗΡΑΣ ΑΝΕΜΙΣΤΗΡΑ	PROTEÇÃO DA VENTOÍNHA	TUULETTIMEN SUOJUS
FAN GUIDE	VIFTEFØRER	VENTILATORSTYR	ΟΔΗΓΟΣ ΑΝΕΜΙΣΤΗΡΑ	GUIA DA VENTOÍNHA	TUULETTIMEN OHJAIN
FAN HOUSING	VIFTEHUS	VENTILATORHUS	ΚΕΛΥΦΟΣ ΑΝΕΜΙΣΤΗΡΑ	CAIXA DA VENTOÍNHA	TUULETTIMEN KOTELO
FAN HUB	VIFTENAV	VENTILATORNAV	ΠΑΛΗΜΗ ΑΝΕΜΙΣΤΗΡΑ	CUBO DA VENTOÍNHA	TUULETTIMEN NAPA
FAN MOTOR	VIFTEMOTOR	VENTILATORMOTOR	ΗΛΕΚΤΡΟΚΙΝΗΤΗΡΑΣ ΑΝΕΜΙΣΤΗΡΑ	MOTOR DA VENTOÍNHA	TUULETTINMOOTTORI
FAN PULLEY	VIFTEREMSKIVE	VENTILATORREMSKIVE	ΤΡΟΧΑΛΙΑ ΑΝΕΜΙΣΤΗΡΑ	POLIA DA VENTOÍNHA	TUULETTIMEN HIHNÄPÖRÄ
FAN RING	VIFTERING	VENTILATORRING	ΑΚΤΥΛΙΟΣ ΑΝΕΜΙΣΤΗΡΑ	ANEL DA VENTOÍNHA	TUULETTIMEN KEHÄ
FAN SCREEN	VIFTERIST	VENTILATORRIST	ΣΧΑΡΑ ΑΝΕΜΙΣΤΗΡΑ	RESGUARDO DA VENTOÍNHA	TUULETTIMEN SUOJUS
FAN SHAFT	VIFTEAKSEL	VENTILATORAKSEL	ΑΞΟΝΑΣ ΑΝΕΜΙΣΤΗΡΑ	VEIO DA VENTOÍNHA	TUULETTIMEN AKSELI
FAN SPACER	VIFTEAVSTANDSSTYKKE	VENTILATORAFSTANDSSTYKKE	ΑΚΤΥΛΙΟΣ ΑΝΕΜΙΣΤΗΡΑ	SEPARADOR DA VENTOÍNHA	TUULETTIMEN VÄLRIEKAPPALE
FAN SUPPORT	VIFTESTØTTE	VENTILATORUNDERLAG	ΒΑΣΗ ΑΝΕΜΙΣΤΗΡΑ, ΣΤΗΡΙΓΜΑ ΑΝΕΜΙΣΤΗΡΑ	SUPORTE DA VENTOÍNHA	TUULETTIMEN KANNATIN
FASCIA PANEL	INSTRUMENTPANEL	INSTRUMENTPANEL	ΠΡΟΣΩΠΗ	TABLIER	KOJETAULU
FASTENER	FESTEANORDNING	FASTGØRINGSANORDNING	ΣΦΙΚΤΗΡΑΣ	GRAMPO	KIINNITIN
FASTENING PLATE	FESTEPLATE	FASTGØRINGSPLADE	ΕΛΑΣΜΑ ΣΥΣΦΙΞΗΣ	PLACA DE FIXAÇÃO	KIINNITYSLEVY
FEELER GAUGE	FØLER	SØGER	ΨΗΛΑΦΗΤΗΣ ΜΕΤΡΗΤΗΣ ΕΛΕΙΧΟΥ	CALIBRADOR DE FOLGAS	RAKOTULKKI
FELT DISK	FILTSKIVE	FILTPLADE	ΤΣΟΧΙΝΟ ΔΕΚΟΣ	DISCO DE FELTRO	HUOPALAIKKA
FELT FILTER ELEMENT	FILTIERELEMENT (FILT)	FILTIERELEMENT (FILT)	ΤΣΟΧΙΝΟ ΣΤΟΙΧΕΙΟ ΦΙΛΤΡΟΥ	ELEM. DE FILTRO DE FELTRO	HUOPAINEN SUODATTINPATRUUNA
FEMALE FITTING	RØRDEL.MED INNVEDIGE GIENGER	HUN-FITTING	ΘΗΛΥΚΟ ΕΞΑΡΤΗΜΑ	ACESSÓRIO FÊMEA	SISÄKIERTEINEN PUTKILITIN
FEMALE ROTOR	SLEIDERØTOR	HUNROTOR	ΘΗΛΥΚΟ ΣΤΡΟΦΕΙΟ	ROTOR FÊMEA	PUTKIROOTTORI
FEMALE SWIVEL	SVIVEL.MED INNVEDIGE GIENGER	HUN-DREJELED	ΘΗΛΥΚΟΣΤΡΟΦΕΑΣ	TORNEL FÊMEA	SISÄKIERTEINEN KIERTOHAKA
FERRULE	BØSSING	RØRRING	ΣΤΕΦΑΝΗ	CASQUILHO	TERÄSUOJUS
FIBRE MAT	FIBERMATTE	FIBERMÄTTE	ΕΠΙΦΑΝΕΙΑ ΦΑΜΠΕΡ	MATERIAL FIBROSO	KUITUMATTO
FIBRE PLATE	FIBERPLATE	FIBERPLADE	ΦΥΛΑΟ ΦΑΜΠΕΡ	PLACA FIBROSA	KUITULEVY
FIELD, EXCITER	FELT, PULSGIVER	FELT,PULSGIVER	ΣΥΣΤΗΜΑ ΕΙΛΑΤΩΓΕΙΑ, ΔΙΕΓΕΡΤΗΣ	CONJUNTO DO EXCITADOR DE CAMPO	KENTÄN HERÄTIN
FIELD COIL	FELTSPØLE	FELTSPØLE	ΕΠΑΓΩΓΕΑΣ	BOBINE DE CAMPO	KENTTÄKÄÄMI
FIELD CORE	FELTKJERNE	FELTKJERNE	ΠΥΡΗΝΑΣ ΕΠΑΓΩΓΕΙΑ	NÚCLEO DE CAMPO	KENTTÄKÄÄMIN SYDÄN
FILL LINE	PÄFYLLINGSLEDNING	PÄFYLDNINGSLÆDNING	ΓΡΑΜΜΗ ΠΛΗΡΩΣΗΣ	LINHA DE ENCHIMENTO	TÄYTEAINE
FILLER CAP	PÄFYLLINGSLOKK	PÄFYLDNINGSHETTE	ΚΑΠΑΚΙ ΠΛΗΡΩΣΗΣ	TAMPA DE ENCHIMENTO	TÄYTÖTÖAUKON KANSI
FILLER NECK	PÄFYLLINGSSTUSS	PÄFYLDNINGSHALS	ΛΑΙΜΟΣ ΠΛΗΡΩΣΗΣ	BOCAL DE ENCHIMENTO	TÄYTÖTÖAUKKO
FILLER PIPE	PÄFYLLINGSRØR	PÄFYLDNINGSRØR	ΣΩΛΗΝΑΣ ΠΛΗΡΩΣΗΣ	TUBO DE ENCHIMENTO	TÄYTÖTÖPUTKI
FILLER PLUG	PÄFYLLINGSPLUGG	PÄFYLDNINGSPROP	ΤΑΠΙΑ ΠΛΗΡΩΣΗΣ	OBTURADOR DE ENCHIMENTO	TÄYTÖTÖAUKON TULPPA
FILLER TUBE	PÄFYLLINGSRØR	PÄFYLDNINGSRØR	ΣΩΛΗΝΑΣ ΠΛΗΡΩΣΗΣ	TUBO DE ENCHIMENTO	TÄYTÖTÖPUTKI
FILTER	FILTER	FILTER	ΦΙΛΤΡΟ	FILTRO	SUODATIN
FILTER BODY	FILTERLEGEME	FILTERLEGEME	ΣΩΜΑ ΦΙΛΤΡΟΥ	CORPO DO FILTRO	SUODATTIMEN RUNKO
FILTER COVER	FILTERDEKSEL	FILTERSKÆRM	ΚΑΛΥΜΜΑ ΦΙΛΤΡΟΥ	COBERTURA DO FILTRO	SUODATTIMEN KANSI
FILTER DISC	FILTERSKIVE	FILTERPLADE	ΔΕΚΟΣ ΦΙΛΤΡΟΥ	DISCO DO FILTRO	SUODATTINLEVY
FILTER DUO PACK	DOBBELT FILTER	DOBBELT FILTER	ΔΙΠΛΟ ΣΥΣΤΗΜΑ ΦΙΛΤΡΟΥ	CONJUNTO DE DOIS FILTROS	KAHDEN SUODATTIMEN SARJA
FILTER ELEMENT	FILTIERELEMENT	FILTIERELEMENT	ΣΤΟΙΧΕΙΟ ΦΙΛΤΡΟΥ	ELEMENTO DE FILTRO	SUODATTINPATRUUNA
FILTER HEAD	FILTERTOPP	FILTIERHOVED	ΚΕΦΑΛΗ ΦΙΛΤΡΟΥ	CABEÇA DE FILTRO	SUODATTINPÄÄ
FILTER HOUSING	FILTIERHUS	FILTIERBESKYTTELSE	ΚΕΛΥΦΟΣ ΦΙΛΤΡΟΥ	CAIXA DE FILTRO	SUODATTINKOTELO
FILTER PLATE	FILTIERPLATE	FILTIERPLADE	ΕΛΑΣΜΑ ΦΙΛΤΡΟΥ	PLACA DO FILTRO	SUODATTINLEVY
FILTER SUPPORT	FILTIERSTØTTE	FILTIERSTØTTE	ΣΤΗΡΙΓΜΑ ΦΙΛΤΡΟΥ	APOIO DO FILTRO	SUODATTIMEN KANNATIN
FILTER TUBE	FILTERRØR	FILTERRØR	ΣΩΛΗΝΑΣ ΦΙΛΤΡΟΥ	TUBO DO FILTRO	SUODATTINPUTKI
FILTER, COMPL.	FILTER, KOMPL.	FILTER, KOMPL.	ΦΙΛΤΡΟ, ΠΛΗΡΗΣ	FILTRO COMPLETO	SUODATIN, TÄYDELLINEN
FILTERHOOD	FILTERDEKSEL	FILTERKÄBE	ΠΕΡΙΒΑΛΜΑ ΦΙΛΤΡΟΥ	INVÓLCRO DO FILTRO	SUODATTINKUPU
FILTERWOOL	FILTIERULL	FILTIERULD	ΥΑΛΟΒΑΜΒΑΚΑΣ	LÁ DE FILTRAGEM	SUODATTINVILLA
FINAL FILTER	FINFILTER	SLUTFILTER	ΤΕΛΙΚΟ ΦΙΛΤΡΟ	FILTRO FINAL	HIENOSUODATIN
FIRE EXTINGUISHER	BRANNLOKKINGSAPPARAT	ILDLUKKER	ΠΥΡΟΣΒΕΣΤΗΡΑΣ	EXTINTOR DE INCÊNDIO	SAMMUTIN
FIT BOLT	FESTEBOLT	MONTERINGSBOLT	ΕΦΑΡΜΟΣΤΟΣ ΚΟΧΛΙΑΣ	PARAFUSO DE MONTAGEM	SOVITUSPULTTI
FITTING	RØRDEL	MONTERING	ΕΞΑΡΤΗΜΑ	UNIÃO	HELA, PUTKILITIN
FITTING TOOL	MONTERINGSVERKTØJ	MONTERINGSVÆRKTØJ	ΕΡΓΑΛΕΙΟ ΕΦΑΡΜΟΓΗΣ	FERRAMENTA DE MONTAGEM	ASENNUSTYÖKALU

ENGLISH	NEDERLANDS	FRANCAIS	DEUTSCH	ESPAÑOL	SVENSKA	ITALIANO
FIXATION	BEVESTIGING	FIXATION	BEFESTIGUNG	FIJACIÓN	FIXERING	FISSAZIONE
FIXATION PLATE	BEVESTIGINGSPLAAT	PLAQUE DE FIXATION	SICHERUNGSBLECH	PLACA DE FIJACIÓN	FIXERINGSPLÅT	PIASTRA DI FISSAZIONE
FIXING ANGLE	BEVESTIGINGSHOEK	ANGLE DE FIXATION	ECKBLECH	ÁNGULO DE FIJACIÓN	FÄSTVINKEL	ANGOLO DI FISSAGGIO
FIXING PLATE SET	SET BEVESTIGINGSPLAAT	JEU PLAQUE DE FIXATION	BEFESTIGUNGSPLATTENSATZ	CONJUNTO DELA PLACA DE FIJACIÓN	FÄSTPLÅTSATS	SERIE DELLA PIASTRA DI FISSAGGIO
FIXING STRIP	BEVESTIGINGSSTRIP	BANDE DE FIXATION	LASCHE	CINTA DE FIJACIÓN	FÄSTREMSA	NASTRO DI FISSAGGIO
FLANGE	FLENS	BRIDE	FLANSCH	BRIDA	FLÄNS	FLANGIA
FLANGE BUSH	FLENSBUS	DOUILLE A BRIDE	FLANSCHBUCHSE	COLLAR DE BRIDA	FLÄNSHYLSA	BUSSOLA A FLANGIA
FLAP	BESCHERMING	PROTECTION	SCHUTZ	ALETA	SKYDD	PIANO CERNIERATO
FLARE NUT	KRAAGMOER	ECROU A COLLET	ACHSMUTTER	TUERCA ABOCINADA	MUTTER	DAVO SVASATO
FLASHER RELAY	RELAIS, KNIPPER-PLATTE STRIP	RELAIS DE FLASH	FLACKERRELAIS	RELÉ DEL INTERRUPTOR	BLINKRELÄ	RELE' LAMPEGGIATORE
FLAT BAR	VLAKKE AFDICHTING	BARRE PLATE	FLACHE STANGE	BARRA PLANA	PLATT STÅNG	BIDONE
FLAT GASKET	VLAKKE AFDICHTING	GARNITURE PLATE	FLACHDICHTUNG	JUNTA PLANA	FLAT PACKNING	GUARNIZIONE PIATTA
FLEXIBLE	SLANG	FLEXIBLE	FLEXIBELE BUCHSE	BUJE FLEXIBLE	BÖJLIG BUSSNING	BUSSOLA FLESSIBILE
FLEXIBLE BUSH	BUIGZAME BUS	DOUILLE FLEXIBLE	FLEXIBLES ELEMENT	ELEMENTO FLEXIBLE	FLEXIBEL	FLESSIBILE
FLEXIBLE CABLE	FLEXIBELE KABEL	CABLE FLEXIBLE	FLEXIBLES KABEL	CABLE FLEXIBLE	FLEXIBEL KABEL	CAVO FLESSIBILE
FLEXIBLE CONDUIT	FLEXIBELE AANSLUITING	CONDUIT FLEXIBLE	FLEXIBLE LEITUNG	CONDUCTO FLEXIBLE	FLEXIBEL LEDNING	CONDOTTO FLESSIBILE
FLEXIBLE COUPLING	FLEXIBELE KOPPELING	RACCORDEMENT FLEXIBLE	FLEXIBLE KUPPLUNG	CONEXIÓN FLEXIBLE	FLEXIBEL KOPPLING	GIUNTO FLESSIBILE
FLEXIBLE HOSE	BUIGZAME PIJP	TUYAU FLEXIBLE	SCHLAUCH	MANGUERA (FLEXIBLE)	SLANG	TUBO FLESSIBILE
FLEXIBLE JOINT	ELASTISCH SCHARNIER	RACCORD FLEXIBLE	ELASTISCHES GELENK	JUNTA FLEXIBLE	KARDANKOPPLING	GIUNTO FLESSIBILE
FLEXIBLE MOUNT	FLEXIBELE BEVESTIGING	PORTE-FLEXIBLE	FLEXIBLE BEFESTIGUNG	MONTURA FLEXIBLE	FLEXIBEL FÅSTE	PREDISPOSIZIONI DI MONT. FLESSIBILI
FLEXIBLE PIPE	FLEXIBELE BUIS	TUYAU FLEXIBLE	FLEXIBLES ROHR	TUBERÍA FLEXIBLE	FLEXIBEL RÖR	TUBO FLESSIBILE
FLEXIBLE TUBE	ELASTISCHE BUIS	TUYAU FLEXIBLE	SCHLAUCH	TUBO FLEXIBLE	SLANG	TUBO FLESSIBILE
FLOAT	VLOTTER	FLOTTEUR	SCHWIMMER	FLOTADOR	FLOTTÖR	GALLEGGIANTE
FLOAT ARM	VLOTTERARM	BRAS FLOTTEUR	SCHWIMMERARM	BRAZO FLOTANTE	FLOTTÖRARM	BRACCIO GALLEGGIANTE
FLOAT VALVE	VLOTTERKLEP	SOUPAPE A FLOTTEUR	SCHWIMMERVENTIL	VÁLVULA DE FLOTADOR	FLOTTÖRVENTIL	VALVOLA A GALLEGGIANTE
FLOW INDICATOR	STROMINGSINDICATOR	INDICATEUR DE DÉBIT	DURCHFLOSSANZEIGER	INDICADOR DE FLUJO	FLÖDESINDIKATOR	INDICATORE DI FLUSSO
FLOW SWITCH	DEBIETSCHAKELAAR	INTERRUPTEUR DE DÉBIT	DURCHFLOSSSCHALTER	INTERRUPTOR DE FLUJO	FLÖDESBRYTARE	INTERRUPTORE DI FLUSSO
FLYWHEEL	VLIEGWIEL	VOLANT	SCHWUNGRAD	VOLANTE	SVÄNGHJUL	VOLANO
FLYWHEEL HOUSING	VLIEGWIELHUIS	CARTER DU VOLANT	SCHWUNGRADGEH.	CAJA DEL VOLANTE	SVÄNGHJULSHUS	SCATOLA COPRIVOLANO
FOAM	SCHUM	MOUSSE	SCHAUM	ESPUMA	SKUM	ESPANSO
FOAM HOLDER	SCHUMHOUDER	PORTE-MOUSSE	SCHAUMHALTER	SOPORTE DE ESPUMA	SKUMHÅLLARE	SUPPORTO PER ESPANSO
FOAM LAMINATED	SCHUMRUBBER	CAOUTCHOU MOUSSE	SCHAUMSTOFF	GOMA ESPUMA	SKUMPLASTLAMINAT	LAMINATO DI ESPANSO
FOAM PLASTIC	SCHUMRUBBER	MOUSSE PLASTIQUE	SCHAUMSTOFF	GOMA ESPUMA	SKUMPLAST	GRUPPO DI SCHIUMA
FOAM SET	SCHUMSET	JEU DE MOUSSES	SCHAUMSATZ	JUEGO DE ESPUMAS	SKUMSATS	ESPANSO DI PLASTICA
FOGLAMP	MISTLAMP	FEU ANTIBROUILLARD	NEBELLAMPE	LÁMP. PARA NIEBLA	DIMLJUS	LUCE FENDINEBBIA
FOOT	VOET	PIED	FUSS	PIE	FOT	PIEDE
FOOTBOARD	VOETTREDE	MARCHEPIED	TRITTBRETT	ESTRIBO	FOTBRÅDE	PEDANA
FORK	VORK	FOURCHE	GABEL	HORQUILLA	GAFFEL	FORCELLA
FORK HEAD	KOP V. VORK	TETE DE FOURCHE	GABELKOPF	CABEZA DE LA HORQUILLA	GAFFELLOCK	TESTA DELLA FORCELLA
FORK HOUSING	VORKHUIS	ENVELOPPE FOURCHE	GABELGEHÄUSE	CAJA DE HORQUILLA	GAFFELHUS	ALLOGGIAMENTO DELLA FORCELLA
FOUNDATION BOLT	ANKERBOUT	BOULON D'ANCRAJE	ANKERBOLZEN	PERNO DE ANCLAJE	GRUNDBULT	BULLONE DI FONDAZIONE
FOUR WAY VALVE	VIERWEGAFSLUITER	VANNE QUATRE VOIES	VIERWEGEVENTIL	VÁLVULA DE CUATRO VÍAS	FYRVÄGSENTIL	VALVOLA A 4 VIE
FRAME	RAAM	CHASSIS	RAHMEN	BASTIDOR	RAM	TELAIO
FREQUENCY METER	FREQUENTIEMETER	FREQUENCIÈMÈTRE	RAHMENMESSER	FRECUENCIÈMETRO	FREKVENSMÅTARE	FREQUENZIOMETRO
FRICTION RING	WRIJVINGSRING	BAGUE DE FRICTION	REIBRING	ANILLO DE FRICCIÓN	LAMELLBELÄGG	ANELLO DELLA FRIZIONE
FRONT	VOOR	AVANT	VORNE	FRONTAL	FRONT	FRONTE
FRONT AXLE	VOORAS	ESSIEU AVANT	VORDERACHSE	EJE FRONTAL	FRAMAXEL	ASSALE ANTERIORE
FRONT BRACKET	STEUEN VOORZIJDE	SUPPORT AVANT	VORDERE STÜTZE	ABRAZADERA FRONTAL	FRONTBYGEL	MENSOLA ANTERIORE
FRONT BUMPER	VOORBUMPER	PARE-CHOC AVANT	VORDERER STOSSFÄNGER	PARACHOQUES FRONTAL	FRÄMRE STÖTFÄNGARE	PARAURTI ANTERIORE
FRONT CORNER	HOEK A. VOORZIJDE	ANGLE AVANT	VORDERE ECKE	ESQUINA FRONTAL	FRONTHÖRN	ANGOLI ANTERIORE
FRONT DOOR	VOORDEUR	PORTE FRONTALE	VORDER TÜR	PUEERTA FRONTAL	FRAMDÖRR	PORTA ANTERIORE
FRONT PANEL	VOORPANEEL	PANNEAU FRONTAL	VORDERWAND	PANEL FRONTAL	FRONTPANEL	PANNELLO ANTERIORE
FRONT PARTITION	TUSSENSCHOT VOORZIJDE	ENTRETOISE FRONTALE	VORDERE TRENNWAND	PARTICIÓN FRONTAL	FRAMDELNING	DIVISORIO ANTERIORE
FRONT PLATE	PLAAT A. VOORZIJDE	PLAQUE FRONTALE	FRONTPLATTE	PLACA FRONTAL	FRONTPLÅT	PIASTRA ANTERIORE
FRONT ROOF	DAK VOORZIJDE	TOIT FRONTAL	VORDERES DACH	BÓVEDA FRONTAL	FRAMTAK	TEPPO ANTERIORE
FRONT WHEEL	VOORWIEL	ROUE AVANT	VORDERRAD	VOLANTE FRONTAL	FRAMHJUL	RUOTA ANTERIORE
FUEL	BRANDSTOF	COMBUSTIBLE	KRAFTSTOFF	COMBUSTIBLE	BRÄNSLE	COMBUSTIBILE
FUEL CAP LOCKABLE	AFSLUITBARE TANKDOP	BOUCHON COMB. VERROUIL.	ABSCHL. KRAFTSTOFFVERSCHL. DECKEL	TAPA BLOQUEABLE DEL COMB.	LÅSBART BRÄNSLELOCK	CAPPELLO DEL COMB. RIHUIDIBIL
FUEL COCK	BRANDSTOFKRAAN	ROBINET DE COMBUSTIBLE	KRAFTSTOFFHAHN	LLAVE DE COMBUSTIBLE	BRÄNSLEKLAN	RUBINETTO DEL CARBURANTE
FUEL COOLER	BRANDSTOFKOELEER	REFROIDISSEUR DE COMB.	KRAFTSTOFFKÜHLER	REFRIGERADOR DE COMBUST.	BRÄNSLEKYLARE	REFRIGERANTE DEL COMBUSTIBILE
FUEL FILTER	BRANDSTOFFILTER	FILTRE A COMBUSTIBLE	KRAFTSTOFFFILTER	FILTRO DE COMB.	BRÄNSLEFILTER	FILTRO DEL CARBURANTE
FUEL FILTER ELEMENT	BRANDSTOFFILTERELEMENT	ELEMENT DE FILTRE DE COMB.	KRAFTSTOFFFILTEREL.	EL. FILTRO COMB.	EL. BRÄNSLEFILT.	ELEMENTO FILTRANTE CARB.
FUEL FILTER HOUSING	BRANDSTOFFILTERBEHUIZING	BOITIER DU FILTRE DE COMB.	KRAFTSTOFFILTERGEHÄUSE	CARCAZA DE FILTRO DEL COMB.	BRÄNSLEFILTERHUS	ALLOGGIO DEL FILTRO DEL CARBURANTE
FUEL FINAL FILTER ELEM.	BRANDSTOFFEINDFILTERELEMENT	EL. DE FILTRE FINAL. COMB.	KRAFTST. E-FILT.-EL.	EL. FILTRO. FIN. COMB.	EL. FINFILT. BRÄNSLE	ELEMENTO FILT. FINALE CARB.
FUEL GAUGE	BRANDSTOFMETER	JAUGE, COMBUSTIBLE	KRAFTSTOFFANZEIGER	INDICADOR DE COMB.	BRÄNSLEMÅTARE	INDICATORE DI LIVELLO CARB.
FUEL HANDPUMP	BRANDSTOF HANDPOMP	POMPE, COMBUSTIBLE	KRAFTST. HANDPUMPE	BOMBA MANUAL DE COMB.	BRÄNSLEHANDPUMP	POMPA MANUALE DEL CARBURANTE
FUEL HOSE	BRANDSTOFSLANG	TUYAU POUR COMBUSTIBLE	KRAFTSTOFFSCHLAUCH	TUBO DE COMBUSTIBLE	BRÄNSLES LANG	TUBO FLESSIBILE DEL CARBURANTE
FUEL LEVEL SENSOR	BRANDSTOFFPELMEETER	JAUGE DE NIVEAU DU COMB.	KRAFTSTOFFSTANDFÜHLER	SENSOR DEL NIVEL DE COMB.	BRÄNSLENIVÅGIVARE	SENSORE DEL LIVELLO DI COMBUSTIBILE
FUEL PRE FILTER	BRANDSTOFVOORFILTER	PREFILTRE A COMBUSTIBLE	KRAFTSTOFFVORFILTER	PREFILTRO DE COMBUSTIBLE	BRÄNSLEFÖRFILTER	PREFILTRO DEL COMB.
FUEL PRE-FILTER ELEM.	BRANDSTOFVOORFILTERELEMENT	EL. PREFILT. COMBUSTIBLE	KRAFTST.VORFILT.EL.	ELM. PREFILTRO COMB.	EL. FÖRFILTER, BRÄNSLE	ELEMENTO DEL PREFILTRO DEL CARB.
FUEL PUMP	BRANDSTOFFPOMP	POMPE A COMBUSTIBLE	KRAFTSTOFFPUMPE	BOMBA DE COMB.	BRÄNSLEPUMP	POMPA DEL CARBURANTE
FUEL RECEIVER	BRANDSTOFFRESERVOIR	RESERVOIR DE COMBUSTIBLE	KRAFTSTOFFBEHÄLTER	RECEPTOR DEL COMBUSTIBLE	BRÄNSLEBEHÅLLARE	SERBATOIO DEL CARBURANTE
FUEL STOP SOLENOID	UTSCHAKELMAGNETBRANDSTOF	SOLENOIDE ARRET DE COMB.	KRAFTSTOFFABSPERRVENTIL	INTERRUPTOR MAGNÉTICO DEL COMB.	STOPPSOLENOID BRÄNSLE	SOLENOIDE DI ARRESTO DEL CARB.
FUEL STRAINER	BRANDSTOFZEEP	FILTRE-TAMIS A COMBUST.	KRAFTSTOFFSIEB	FILTRO DE COMBUSTIBLE	BRÄNSLERENARE	FILTRO DEL COMBUSTIBILE
FUEL SUPPLY PUMP	BRANDSTOFFPOMP	POMPE D'AMENEE DE COMB.	KRAFTSTOFFPUMPE	BOMBA DE ABAST. DE COMB.	PUMP BRÄNSLETILLFÖRSEL	POMPA DI RIFORMENTO PER IL CARB.
FUEL TANK	BRANDSTOFTANK	RESERVOIR, COMBUSTIBLE	KRAFTSTOFFBEHÄLTER	TANQUE DE COMB.	BRÄNSLETANK	SERBATOIO DEL CARBURANTE
FUEL TUBE	BRANDSTOFFPIJP	TUYAU POUR COMBUSTIBLE	KRAFTSTOFFLEITUNG	TUBO DEL COMBUSTIBLE	BRÄNSLERÖR	TUBO DEL CARBURANTE
FUNNEL	PIJP	TUYAU	TRICHTER	EMBUDO	UTLUFNINGSRÖR	IMBUTO
FUSE	ZEKERING	FUSIBLE	SICHERUNG	FUSIBLE	SÄKRING	FUSIBILE
FUSE BOX	ZEKERINGENKAST	BOITE A FUSIBLE	SICHERUNGSKASTEN	CAJA DE FUSIBLES	SÄKRINGSDOSA	SCATOLA DEL FUSIBILE
FUSE HOLDER	ZEKERINGHOUDER	PORTE-FUSIBLE	SICHERUNGSHALTER	PORTAFUSIBLE	SÄKRINGSHÅLLARE	PORTA FUSIBILE

G

GAS SPRING	GASDRUKVEER	VERIN PNEUMAT.	GASDRUCKFEDER	MUELLE DE GAS	GASFJÄDER	MOLLA A GAS
GASKET	PAKING	JOINT	DICHTUNG	JUNTA	PACKNING	GUARNIZIONE
GAUGE	METER	INDICATEUR	ANZEIGER	INDICADOR	MÅTARE	INDICATORE
GAUGE PANEL	METERPANEEL	PANNEAU D'INDICATEUR	FÜLLSTANDSANZEIGEN	PANEL CALIBRADOR	MÅTARPANEL	PANNELLO DELL'INDICATORE
GAUZE	GAAS	GAZE	GAZE	GASA	SILDUK	GARZA
GEAR	DRIJFWERK	ENGRENAGE	GETRIEBE	ENGRANAJE	VÅXEL	INGRANAGGIO
GEAR CASING	TANDWIELKAST	CARTER D'ENGREAGE.	GETRIEBEGEHÄUSE	CAJA DE ENGRANAJES	VÅXELHUS	SCATOLA INGRANAGGI
GEAR DRIVE	TANDWIELAANDRIJVING	COMM. PAR ENGRENAGE	ZAHNRADANTRIEB	TRANSMIS. POR ENGRANAJES	VÅXELHJULSDREV	TRASMISSIONE A INGRANAGGI
GEAR IDLER	TUSSENWIEL	PIGNON LIBRE D'ENGRENAGE	LEERLAUF	ENGRANAJE DE POLEA LOCA	VÅXELDREV	INTERMEDIO DELL'INGRANAGGIO
GEAR WHEEL	TANDWIEL	ROUE DENTEE	ZAHNRAD	RUEDA DENTADA	KUGGHJUL	RUOTA DENTATA
GEAR WHEEL HUB	TANDWIELNAAF	MOYEU DE ROUE DENTEE	ZAHNRADNABE	CUBO DE RUEDA DENT.	NAV, KUGGHJUL	MOZZO DI RUOTA DENTATA
GENERATOR	GENERATOR	GENERATEUR	GENERATOR	GENERADOR	GENERATORE	GENERATORE
GENERATOR EQUIPMENT	GENERATORINSTALLATIE	EQUIPEMENT GENERATEUR	GENERATORANLAGE	EQUIPO DEL GENERADOR	GENERATORUTRUSTNING	EQUIPAGGIAMENTO DEL GENERATORE
GLASS FIBER	GLASVEZEL	FIBRE DE VERRE	GLASFASER	LANA DE VIDRIO	GLASFIBER	FIBRA DI VETRO
GLOW LAMP	GLOEIPUG	LAMPE A INCANDESCENCE	GLIMMLAMPE	LÁMPARA DE INCANDESCENCIA	GLÖDLAMPA	LAMPADA A LUMINESCENZA
GRATING	ROOSTER	GRILLE	GITTER	PARRILLA	GALLER	GRIGLIA

ENGLISH	NORSK	DANSK	ΕΛΛΗΝΙΚΑ	PORTUGUÊS	SUOMI
FIXATION	FESTING	FIKSERING	ΣΤΕΡΕΩΣΗ	FIXAÇÃO	KIINNITIN
FIXATION PLATE	FESTEPLATE	FASTGØRINGSPLADE	ΠΛΑΚΑ ΣΤΕΡΕΩΣΗΣ	PLACA DE FIXAÇÃO	KIINNTYSLEVY
FIXING ANGLE	FESTEVIKSEL	FASTGØRINGSVINKEL	ΓΩΝΙΑ ΣΤΕΡΕΩΣΗΣ	ANGULO DE FIXAÇÃO	KIINNTYSKULMA
FIXING PLATE SET	FESTEPLATESETT	SÆT FASTGØRINGSPLADER	ΣΕΙΡΑ ΕΞ ΑΡΘΗΜΑΤΩΝ ΠΛΑΚΑΣ ΣΤΕΡΕΩΣΗΣ	CONJUNTO DA PLACA DE FIXAÇÃO	KIINNTYSLEVYSARIA
FIXING STRIP	FESTEÅBÅND	FASTGØRINGSBÅND	ΤΑΙΝΙΑ ΣΤΕΡΕΩΣΗΣ	FAIXA DE FIXAÇÃO	KIINNTYSLIUSKA
FLANGE	FLENS	FLANGE	ΦΛΑΝΤΖΑ	FLANGE	LAIPPA
FLANGE BUSH	FLENSBØSSING	FLANGEBØSSNING	ΑΝΤΙΤΡΙΒΙΚΟΣ ΔΑΚΤΥΛΙΟΣ ΦΛΑΝΤΖΑΣ	CASQUILHO DA FLANGE	LAIPPAHOLKKI
FLAP	KLAFF	LEM	ΠΤΕΡΥΓΙΟ	ABA	SUOJUS
FLARE NUT	KRAGE	MØTRIK	ΚΑΜΗΛΙΑΩΤΟ ΠΕΡΙΚΟΧΑΙΟ	PORCA PARA TUBOS	LAIPPAMUTTERI
FLASHER RELAY	BLINKLYSRELÉ	BLINKRELE	ΡΕΛΕ ΤΟΞ ΟΥ. ΡΕΛΕ ΦΑΛΣΕΡ	RELÉ INTERMITENTE	VILKUUVALON RELE
FLAT BAR	FLATJERN	FLADJERN	ΕΠΙΠΕΔΗ ΜΙΑΡΑ	BARRA PLANA	LITTEÄ LIUSKA
FLAT GASKET	FLAT PAKNING	FLAD PAKNING	ΕΠΙΠΕΔΗ ΣΤΙΜΟΧΑ	JUNTA PLANA	LAAKATIVISTE
FLEXIBLE	FLEKSIBEL	BØJELIG BØSSNING	ΕΥΚΑΜΗΤΟΣ	FLEXÍVEL	LETKU
FLEXIBLE BUSH	FLEKSIBEL BØSSING	FLEKSIBEL BØJELIG	ΕΥΚΑΜΗΤΟΣ ΑΝΤΙΤΡΙΒΙΚΟΣ ΔΑΚΤΥΛΙΟΣ	CASQUILHO FLEXÍVEL	JOUSTOHLKKI
FLEXIBLE CABLE	FLEKSIBEL KABEL	BØJELIGT KABEL	ΕΥΚΑΜΗΤΟ ΚΑΒΛΟ	CABO FLEXÍVEL	TAIPUISA JOHTO
FLEXIBLE CONDUIT	FLEKSIBELT VERNERØR	BØJELIG LEDNING	ΕΥΚΑΜΗΤΟΣ ΑΓΩΓΟΣ	CANALIZAÇÃO FLEXÍVEL	TAIPUISA LIITOS
FLEXIBLE COUPLING	FLEKSIBEL KOPLING	FLEKSIBEL KOBLING	ΕΥΚΑΜΗΤΟΣ ΣΥΝΔΕΣΜΟΣ	ACOPLAMENTO FLEXÍVEL	JOUSTOKYTKIN
FLEXIBLE HOSE	BØYELIG SLANGE	BØJELIG SLANGE	ΕΥΚΑΜΗΤΟΣ ΕΛΑΣΤΙΚΟΣ ΣΩΛΗΝΑΣ	TUBO FLEXÍVEL	TAIPUISA LETKU
FLEXIBLE JOINT	BØYELIG KOPLING	BØJELIG SAMLING	ΕΥΚΑΜΗΤΟΣ ΣΥΝΔΕΣΜΟΣ	JUNTA FLEXÍVEL	JOUSTOLITOS
FLEXIBLE MOUNT	FLEKSIBEL MONTERING	FLEKSIBEL MONTAGE	ΕΥΚΑΜΗΤΗ ΣΤΗΡΙΞΗ	INSTALAÇÃO FLEXÍVEL	JOUSTAVA KIINNTYYS
FLEXIBLE PIPE	FLEKSIBELT RØR	BØJELIGT RØR	ΕΥΚΑΜΗΤΟΣ ΣΩΛΗΝΑΣ	TUBO FLEXÍVEL	TAIPUISTA PUTKI
FLEXIBLE TUBE	BØYELIG RØR	BØJELIGT RØR	ΕΥΚΑΜΗΤΟΣ ΣΩΛΗΝΑΣ	TUBO FLEXÍVEL	TAIPUISA LETKU
FLOAT	FLOTØR	FLYDER	ΠΛΩΤΗΡΑΣ	BÓIA	UIMURI
FLOAT ARM	FLOTØRARM	FLYDERARM	ΒΡΑΧΙΟΝΑΣ ΠΛΩΤΗΡΑ	BRAÇO DA BÓIA	UIMURIN VARSII
FLOAT VALVE	FLOTØRVENTIL	FLYDERVENTIL	ΒΑΛΒΙΔΑ ΠΛΩΤΗΡΑ	VÁLVULA DA BÓIA	UIMURIVENTTILI
FLOW INDICATOR	STRØMNINGSINDIKATOR	FLOW-INDIKATOR	ΔΕΙΚΤΗΣ ΡΟΗΣ	INDICADOR DE CAUDAL	VIRTAUSMITTARI
FLOW SWITCH	STRØMNINGSBRYTER	STRØMNINGSAFBRYDER	ΔΙΑΚΟΠΤΗΣ ΡΟΗΣ	INTERRUPTOR DE CAUDAL	VIRTAUSKYTKIN
FLYWHEEL	SVINGHJUL	SVINGHJUL	ΣΦΟΝΔΑΛΟΣ	VOLANTE	VAUHTIPYÖRÄ
FLYWHEEL HOUSING	SVINGHJULHUS	SVINGHJULSBESKYTTER	ΚΕΛΥΦΟΣ ΣΦΟΝΔΑΛΟΥ	CAIXA DO VOLANTE	VAUHTIPYÖRÄN KOTELO
FOAM	SKUMPLAST	SKUMPLAST	ΑΦΡΟΣ	ESPUMA	VAAHTO
FOAM HOLDER	SKUMPLASTHOLDER	SKUMPLASTHOLDER	ΥΠΟΔΟΧΕΑΣ ΑΦΡΟΥ	SUPORTE DE ESPUMA	VAAHDON PIDIN
FOAM LAMINATED	SKUMPLASTLAMINAT	SKUMPLASTLAMINAT	ΑΠΛΩΜΕΝΟΣ ΑΦΡΟΣ	ESPUMA LAMINADA	VAAHTOMUOVI
FOAM PLASTIC	SKUMPLAST	SKUMPLAST	ΠΛΑΣΤΙΚΟΣ ΑΦΡΟΣ	ESPUMA PLÁSTICA	VAAHTOMUOVI
FOAM SET	SETT MED SKUMPLASTDELER	SKUMPLASTSÆT	ΣΕΙΡΑ ΕΞ ΑΡΘΗΜΑΤΩΝ ΑΦΡΟΥ	CONJUNTO DE ESPUMA	VAAHTOSARIA
FOGLAMP	TÅKELYS	TÅGELAMPE	ΦΑΝΟΣ ΟΜΙΧΑΗΣ	FAROL DENEVOEIRO	SUMUVALO
FOOT	FOT	FOD	ΠΟΔΙ	PÉ	JALKA
FOOTBOARD	STIGBRETT	FODBRÆDT	ΠΑΤΑΚΙ	ESTRIBO	ASTINLAUTA
FORK	GAFFEL	GAFFEL	ΠΙΡΟΥΝΙ	GARFO	HAARUKKA
FORK HEAD	GAFFELLENDE	GAFFELLENDE	ΚΕΦΑΛΗ ΠΙΡΟΥΝΙΟΥ	CABEÇA DE FORQUILHA	HAARUKAN PÄÄ
FORK HOUSING	GAFFELHUS	GAFFELHUS	ΚΕΛΥΦΟΣ ΠΙΡΟΥΝΙΟΥ	CAIXA DO GARFO	HAARUKAN KOTELO
FOUNDATION BOLT	FUNDAMENTBOLT	FUNDAMENTBOLTPUNDEBOLT	ΚΟΧΛΙΑΣ ΘΕΜΕΛΙΩΣΗΣ	PARAFUSO DE FIXAÇÃO	ANKKURIPULTTI
FOUR WAY VALVE	FIREVEIS VENTIL	FIRE-VEIS VENTIL	ΤΕΤΡΑ ΟΔΟΣ ΒΑΛΒΙΔΑ	VÁLVULA DE QUATRO VIAS	NELTIEVENTTILI
FRAME	RAMME	RAMME	ΠΛΑΙΣΙΟ	QUADRO / ESTRUTURA	RUNKO
FREQUENCY METER	FREKVENSMÅLER	FREKVENSMÅLER	ΣΥΧΝΟΜΕΤΡΟ	FREQUÊNCÍMETRO	TAAJUUSMITTARI
FRICTION RING	FRIKSJONSRING	FRIKTIONSRING	ΔΑΚΤΥΛΙΟΣ ΤΡΙΒΗΣ	ANEL DE ATRITO	KITKARENGAS
FRONT	FRONT	FRONTSIDE	ΕΜΠΡΟΣ, ΜΠΡΟΣΤΙΝΟ	DIANTEIRO	ETUPÄÄ
FRONT AXLE	FORAKSEL	FORAKSEL	ΜΠΡΟΣΤΙΝΟΣ ΑΞΟΝΑΣ	EIXO DIANTEIRO	ETUAKSELI
FRONT BRACKET	FRONTBRACKET	FRONTKONSOL	ΜΠΡΟΣΤΙΝΟ ΜΠΡΑΚΕΤΟ	SUPORTE DIANTEIRO	ETUPOULEN KANNATIN
FRONT BUMPER	STØTFANGER FORAN	STØDFANGER FOR	ΜΠΡΟΣΤΙΝΟΣ ΠΡΟΦΥΛΑΚΤΗΡΑΣ	PÁRA-CHOQUES DA FRENTE	ETUPUSKURI
FRONT CORNER	FRONTHØRNE	FRONTHØRNE	ΜΠΡΟΣΤΙΝΗ ΓΩΝΙΑ	CANTO FRONTAL	ETUPOULEN KULMA
FRONT DOOR	FORDØR	FORDØR	ΜΠΡΟΣΤΙΝΗ ΠΟΡΤΑ	PORTA PRINCIPAL	ETUOVI
FRONT PANEL	FRONTPANEL	FRONTPANEL	ΜΠΡΟΣΤΙΝΟ ΚΑΛΥΜΜΑ	PAINEL FRONTAL	ETUPANEELI
FRONT PARTITION	FRONTVEGG	FRONTVÆG	ΜΠΡΟΣΤΙΝΟ ΧΩΡΙΣΜΑ	DIVISÓRIA DIANTEIRA	ETUPOULEN VÄLILEVY
FRONT PLATE	FRONTPLATE	FRONTPLADE	ΜΠΡΟΣΤΙΝΗ ΠΛΑΚΑ	PLACA DA FRENTE	ETUPOULEN LEVY
FRONT ROOF	TAK FORAN	TAG FOR	ΜΠΡΟΣΤΙΝΗ ΟΡΟΦΗ	TECTO DA FRENTE	ETUPOULEN KATTO
FRONT WHEEL	FORHJUL	FORHJUL	ΜΠΡΟΣΤΙΝΟΣ ΤΡΟΧΟΣ	RODA DIANTEIRA	ETUPYÖRÄ
FUEL	DRIVSTOFF	BRÆNDSTOF	ΚΑΥΣΙΜΟ	COMBUSTÍVEL	POLITTOAINE
FUEL CAP LOCKABLE	LÅSBART DRIVSTOFFTANKLOKK	AFLÅSBELIGT BRÆNDSTOFFÆKSEL	ΑΣΦΑΛΙΖΟΜΕΝΟ ΚΑΠΑΚΙ ΚΑΥΣΙΜΟΥ	TAMPADORESERVEDECOMBOMECHHO	LUKITTAVA POLITTOAINESÄILIÖN TULPPA
FUEL COCK	DRIVSTOFFKRAN	BRÆNDSTOFFHANE	ΑΙΚΑΙΛΑΚΑΥΣΙΜΟΥ,ΡΟΥΜΙΝΕΤΟΚΑΥΣΙΜΟΥ	TORNEIRA DE COMBUSTÍVEL	POLITTOAINEHANA
FUEL COOLER	DRIVSTOFFKJØLER	BRÆNDSTOFFKØLER	ΨΥΚΤΗΣ ΚΑΥΣΙΜΟΥ	REFRIGERADOR DE COMBUSTÍVEL	POLITTOAINEEN JÄÄHDYTYN
FUEL FILTER	DRIVSTOFFFILTER	BRÆNDSTOFFFILTER	ΦΙΛΤΡΟ ΚΑΥΣΙΜΟΥ	FILTRO DE COMBUSTÍVEL	POLITTOAINEENSUODATIN
FUEL FILTER ELEMENT	DRIVSTOFFFILTERELEMENT	BRÆNDSTOFFFILTERELEMENT	ΣΤΟΙΧΕΙΟ ΦΙΛΤΡΟΥ ΚΑΥΣΙΜΟΥ	ELEMENTO DO FILTRO DE COMB.	POLITTOAINEENSUOD. PATRUUNA
FUEL FILTER HOUSING	DRIVSTOFFFILTERHUS	BRÆNDSTOFFFILTERHUS	ΚΕΛΥΦΟΣ ΦΙΛΤΡΟΥ ΚΑΥΣΙΜΟΥ	CAIXA DO FILTRO DE COMBUSTÍVEL	POLITTOAINEENSUODATTIMEN KOTELO
FUEL FINAL FILTER ELEM.	FINFILTER, DRIVSTOFF	BRÆNDSTOFFSLUTFILTERELEMENT	ΣΤΟΙΧΕΙΟ ΤΕΛΙΚΟΥ ΦΙΛΤΡΟΥ ΚΑΥΣΙΜΟΥ	EL. DO FILTRO FINAL DE COMB.	POLIT. HIENOSUODATTIMEN PATRUUNA
FUEL GAUGE	DRIVSTOFFMÅLER	BRÆNDSTOFFMÅLER	ΜΕΤΡΗΤΗΣ ΕΛΕΓΧΟΥ ΚΑΥΣΙΜΟΥ	INDICADOR DE NÍVEL DE COMB.	POLITTOAINEMITTARI
FUEL HANDPUMP	HÅNDPUMPE FOR DRIVSTOFF	BRÆNDSTOFFHÅNDPUMPE	ΧΕΙΡΑΝΤΑΛΙΑ ΚΑΥΣΙΜΟΥ	BOMBA MANUAL DE COMB.	POLITTOAINEEN KÄSIPUMPPU
FUEL HOSE	DRIVSTOFFSLANGE	BRÆNDSTOFFSLANGE	ΕΛΑΣΤΙΚΟΣ ΣΩΛΗΝΑΣ ΚΑΥΣΙΜΟΥ	MANGUEIRA DE COMBUSTÍVEL	POLITTOAINELETKU
FUEL LEVEL SENSOR	FØLER FOR DRIVSTOFFNIVÅ	BRÆNDSTOFFSTAND. FØLER	ΑΣΘΗΤΗΡΑΣ ΣΤΑΘΜΗΣ ΚΑΥΣΙΜΟΥ	SENSOR DO NÍVEL DE COMB.	POLITTOAINEEN ANTURI
FUEL PRE FILTER	FORFILTER, DRIVSTOFF	BRÆNDSTOFFFORFILTER	ΠΡΟ-ΦΙΛΤΡΟ ΚΑΥΣΙΜΟΥ	PRÉ FILTRO DE COMBUSTÍVEL	POLITTOAINEEN ESISUODATIN
FUEL PRE-FILTER ELEM.	FORFILTERELEMENT, DRIVSTOFF	BRÆNDSTOFFFORFILTER-ELEMENT	ΣΤΟΙΧΕΙΟ ΠΡΟ-ΦΙΛΤΡΟΥ ΚΑΥΣΙΜΟΥ	EL. DO PRÉ-FILTRO DE COMB.	POLITTOAINEEN ESISUODATTIMEN PATRUUNA
FUEL PUMP	DRIVSTOFFPUMPE	BRÆNDSTOFFPUMPE	ΑΝΤΑΛΙΑ ΚΑΥΣΙΜΟΥ	BOMBA DE COMBUSTÍVEL	POLITTOAINEPUMPPU
FUEL RECEIVER	DRIVSTOFFTANK	BRÆNDSTOFFTANK	ΣΥΛΛΕΚΤΗΣ ΚΑΥΣΙΜΟΥ	RESERVATÓRIO DE COMBUSTÍVEL	POLITTOAINESÄILIÖ
FUEL STOP SOLENOID	DRIVSTOFFMAGNETVENTIL	BRÆNDSTOFFELEKTROMAGNET	ΗΛΕΚΤΡ. ΒΑΛΒΙΔΑ ΑΝΑΚΟΠΗΣ ΚΑΥΣΙΜΟΥ	SOLENOÍDEDEPRAGEMDOCOMBUSTÍVEL	POLITTOAINEEN SULKUMAGNEETTI
FUEL STRAINER	DRIVSTOFFSIFL	BRÆNDSTOFFFILTER	ΣΟΥΡΩΤΗΡΙ ΚΑΥΣΙΜΟΥ	ESTRANGULADOR DE COMBUSTÍVEL	POLITTOAINESIVILÄ
FUEL SUPPLY PUMP	DRIVSTOFFPUMPE	BRÆNDSTOFFPUMPE	ΑΝΤΑΛΙΑ ΠΑΡΟΧΗΣ ΚΑΥΣΙΜΟΥ	BOMBA DE ABASTECIMENTO DE COMB.	POLITTOAINEPUMPPU
FUEL TANK	DRIVSTOFFTANK	BRÆNDSTOFFTANK	ΔΕΞ ΑΜΕΝΗ ΚΑΥΣΙΜΟΥ	TANQUE DE COMBUSTÍVEL	POLITTOAINESÄILIÖ
FUEL TUBE	DRIVSTOFFRØR	BRÆNDSTOFFRØR	ΣΩΛΗΝΑΣ ΚΑΥΣΙΜΟΥ	TUBO DE COMBUSTÍVEL	POLITTOAINEPUTKI
FUNNEL	SKORSTEIN	TRAGT	ΧΩΝΙ, ΧΩΑΝΗ	FUNIL	SUPPILO
FUSE	SIKRING	SIKRING	ΑΣΦΑΛΕΙΑ	FUSÍVEL	VAROKE
FUSE BOX	SIKRINGSBOKS	SIKRINGSDÅSE	ΑΣΦΑΛΕΙΟΘΗΚΗ	CAIXA DE FUSÍVEIS	VAROKEKOTELO
FUSE HOLDER	SIKRINGSHOLDER	SIKRINGSHOLDER	ΥΠΟΔΟΧΗ ΑΣΦΑΛΕΙΑΣ	SUPORTE DO FUSÍVEL	VAROKEENPIDIN

G					
GAS SPRING	GASSFJÆR	GASFJEDER	ΕΛΑΤΗΡΙΟ ΑΕΡΙΟΥ	MOLA PNEUMÁTICA	KAASUJOUSI
GASKET	PAKNING	PAKNING	ΣΤΙΜΟΧΑ	JUNTA	TIVISTE
GAUGE	MÅLER	MÅLER	ΜΕΤΡΗΤΗΣ ΕΛΕΓΧΟΥ	INSTRUMENTO / MANÓMETRO	MITTARI
GAUGE PANEL	MÅLERPANEL	MÅLERPANEL	ΠΙΝΑΚΑΣ ΟΡΓΑΝΩΝ ΕΛΕΓΧΟΥ	PAINEL DE INSTRUMENTOS	MITTARITAUHU
GAUZE	FILTERDUK	GAZE	ΓΑΖΑ, ΤΣΙΤΑ	TELA METÁLICA	HARSOKANGAS
GEAR	GIR	GEAR	ΟΔΟΝΤΩΤΟΣ ΤΡΟΧΟΣ, ΓΡΑΝΑΖΙ	ENGRENAGEM	HAMMASVAIHTEISTO
GEAR CASING	GIRHUS	GEARKASSE	ΚΕΛΥΦΟΣ ΟΔΟΝΤΩΤΟΥ ΤΡΟΧΟΥ	CAIXA DE ENGRENAGENS	HAMMASPYÖRÄSTÖN KOTELO
GEAR DRIVE	GIRDREV	GEARSTANG	ΟΔΟΝΤΟΚΙΝΗΣΗ, ΚΙΝΗΣΗ ΜΕ ΓΡΑΝΑΖΙΑ	ACCIONADOR DE ENGRENAGENS	HAMMASPYÖRÄKÄYTTÖ
GEAR IDLER	MELLEMDREV	MELLEMDREV	ΕΛΕΥΘΕΡΟ ΓΡΑΝΑΖΙ	ENGRENAGEM INTERMEDIÁRIA	VÄLIPYÖRÄ
GEAR WHEEL	TANNHJUL	TANDHJUL	ΟΔΟΝΤΩΤΟΣ ΤΡΟΧΟΣ, ΓΡΑΝΑΖΙ	RODA DENTADA	KÄYTTÖHAMMASPYÖRÄ
GEAR WHEEL HUB	NAV, TANNHJUL	TANDHJULSNÄV	ΠΑΝΘΗΝΗ ΟΔΟΝΤΩΤΟΥ ΤΡΟΧΟΥ	CUBO DE ENGRENAGEM	KÄYTTÖHAMMASPYÖRÄN NAPA
GENERATOR	GENERATOR	GENERATOR	ΓΕΝΗΤΗΡΙΑ	GERADOR	LÄTÄUSGENERAATTORI
GENERATOR EQUIPMENT	GENERATORUTSTYR	GENERATORUDSTYR	ΕΞΟΠΛΙΣΜΟΣ ΓΕΝΗΤΗΡΙΑΣ	EQUIPAMENTO DO GERADOR	GENERAATTORIN VARUSTUS
GLASS FIBER	GLASSFIBER	GLASFIBER	ΥΑΛΟΝΗΜΑΤΑ, ΦΑΛΜΠΕΡΚΑΣ	FIBRA DE VIDRO	LASKIUTTU
GLOW LAMP	GLØDELAMPE	GLØDELAMPE	ΑΥΧΝΙΑ ΠΥΡΚΑΓΙΩΣΗΣ	LÂMPADA INCANDESCENTE	HEHKULAMPPU
GRATING	GITTER	RIST	ΚΙΦΚΙΛΩΜΑ	GRADEAMENTO	SÄLEIKKÖ

ENGLISH	NEDERLANDS	FRANCAIS	DEUTSCH	ESPAÑOL	SVENSKA	ITALIANO
GREASE NIPPLE	SMEERNIPPEL	GRAISSEUR	SCHMIERNIPPEL	BOQUILLA DE ENGRASADO	SMÖRNIPPEL	INGRASSATORE
GRILL	ROOSTER	GRILL	GRILL	PARRILLA	GALLER	GRIGLIA
GROMMET	KOUS	VIROLE	GUMMIRING	OJAL	GENOMFÖRING	ANELLO
GROUND CABLE	AARDKABEL	CABLE SOUTERRAIN	ERDUNGSKABEL	CABLE DE TIERRA	JORDELEDNINGSKABEL	CONDUTTORE DI TERRA
GRUB SCREW	DRAADEINDE	VIS	GEWINDESTIFT	PASADOR PRISIONERO	SKRUVSTIFT	VITE DI RIFERIMENTO
GUARD	AFSCHERMING	PROTECTION	SCHUTZ	PROTECCIÓN	SKYDD	PROTEZIONE
GUIDGEON PIN	ZUIGERPEN	AXE DE PISTON	KOLBENBOLZEN	BULÓN DEL PISTÓN	KOLVAPP	SPINOTTO
GUIDE	GELEIDING	GUIDE	FÜHRUNG	GUÍA	STYRNING	GUIDA
GUIDE PLATE	GELEIDINGSPLAAT	PLAQUE DE GUIDAGE	FÜHRUNGSPLATTE	PLACA GUÍA	STYRPLÅT	PIASTRA DI GUIDA
GUIDE RING	GELEIDINGSRING	ANNEAU DE GUIDAGE	FÜHRUNGSRING	ANILLO DE GUÍA	STYRRING	ANELLO DI GUIDA
GUIDE SCREW	LEISCHROEF	VIS-MÈRE	LEITSPINDEL	TORNILLO DE GUÍA	STYRSKRUV	VITE DELLA GUIDA
GUIDE VALVE	GELEIDINGSKLEP	SOUPAPE DE GUIDAGE	FÜHRUNGSVENTIL	VÁLVULA DE LA GUÍA	STYRVENTIL	VALVOLA DI GUIDA
GUTTER	GOOT	GOUTTIÈRE	RINNE	CANAL	AVLOPPSRÄNNA	CANALE

H

HAND GRIP	HANDGREEP	POIGNEE	HANDGRIFF	EMPUNADURA	HANDTAG	IMPUGNATURA
HAND PUMP	HANDPOMP	POMPE A MAIN	HANDPUMPE	BOMBA MANUAL	HANDPUMP	POMPA A MANO
HAND WHEEL	HANDWIEL	ROUE A MAIN	HANDRAD	VOLANTE DE MANO	RATT	VOLANTINO
HANDBRAKE LEVER	HEFBOOM V. HANDREM	LEVIER FREIN A MAIN	HANDBREMSHEBEL	PALANCA DEL FRENO DE MANO	HANDBROMS	LEVA DEL FRENO A MANO
HANDLE	HANDVAT	POIGNEE, LEVIER	HEBEL	MANGO	HANDTAG	MANICO
HEAD	KOPSTUK	TETE DE RACCORDÉMENT	KOPF	CABEZA	LOCK	TESTA
HEAD CAP SCREW	ZESKANTSCHROEF	VIS A CHAPE	KOPFSCHRAUBE	TORNELACUBERTIADELCABEZA	HUVUDSKRUV	BULLONE SENZA DADO DELLA TESTA
HEAD SHIELD	AFSCHERMING KOPSTUK	PROTECTION DE TETE	KOPFABDECKUNG	BLINDAJE DE CABEZA	HUVUDSKYDD	RIPARO DELLA TESTA
HEAT BLANKET	WARMTEWERENDE DEKEN	COUVERTURE THERMIQUE	THERMISCHE DECKE	RECUBRIMIENTO DE CALOR	VÄRMEFILT	COPERTA DI RISCALDAMENTO
HEAT EXCHANGER	WARMTEWISSELAAR	ECHANGEUR DE CHALEUR	WÄRMEAUSTAUSCHER	INTERCAMBIADOR DE CALOR	VÄRMEVÄXLARE	SCAMBIATORE DI CALORE
HEAT INSULATION	WARMTE-ISOLATIE	ISOLATION THERMIQUE	WÄRMESCHUTZ	AISLAMIENTO DEL CALOR	VÄRMEISOLERING	ISOLAMENTO TERMICO
HEAT PROTECTION	WARMTE-ISOLATIE	PROTECTION THERMIQUE	THERMOSCHUTZ	PROTECCIÓN DEL CALOR	VÄRMESKYDD	TERMOPROTEZIONE
HEAT RESISTANCE	WARMTEWEERSTAND	RESISTANCE THERMIQUE	HEIZWIDERSTAND	RESISTENCIA AL CALOR	VÄRMEBESTÄNDIGHET	RESISTENZA AL CALORE
HEAT RESISTOR	WEERSTAND	RESISTANCE	WIDERSTAND	RESISTENCIA DE CALDEO	VÄRMEMOTSTÅND	RESISTENZA DI RISCALDAMENTO
HEAT SHIELD	WARMTEWEREND SCHILD	PROTECTION THERMIQUE	HITZSCHUTZABDECKUNG	BLINDAJE DEL CALOR	VÄRMESKÖLD	SCUDO TERMICO
HEATER	VERWARMER	RECHAUFFEUR	HEIZAPPARAT	CALENTADOR	VÄRMARE	RISCALDATORE
HEATER PLUG	VERWARMINGSPLUG	FICHE DE RECHAUFFEUR	GLÜHKERZE	ENCHUFE DEL CALOR	GLÖDSTIFT	SPINA DEL RISCALDATORE
HEATING ELEMENT	VERWARMINGSELEMENT	ELEMENT DE CHAUFFAGE	HEIZELEMENT	ELEMENTO DE CALDEO	VÄRMEELEMENT	ELEMENTO RISCALDANTE
HEAVY DUTY FILTERS	FILTER VOOR ZWAAR WERK	FILTRES PERFORMANTS	HOCHLEISTUNGSFILTER	FILTR. TRABAJO PESADO	HÖGEFFEKTFILTER	FILTRI PER LAVORO PESANTE
HELICAL SPRING	SPIRALVEER	RESSORT HELICOIDAL	SCHRAUBENFEDER	RESORTE HELICOIDAL	SPIRALFÄDER	MOLLA ELICOIDALE
HEXAGON BOLT	ZESKANTBOUT	BOUT. A TETE HEXAGONALE	SECHSKANTSCHRAUBE	PERNO HEXAGONAL	SEKKANTSBULT	BULLONE ESAGONALE
HEXAGON HEAD SCREW	ZESKANTSCHROEF	VIS A TETE HEXAGONALE	SECHSKANTSCHRAUBE	TORNILLODECABEZAHEXAGONAL	SEKKANTSSKRUV	VITE A TESTA ESAGONALE
HEXAGON NIPPLE	ZESKANTNIPPEL	DOUILLE HEXAGONALE	ÜBERGANGSHNSCHRAUBSTUTZEN	BOQUILLA HEXAGONAL	SEKKANTIG NIPPEL	NIPPO ESAGONALE
HEXAGON PLUG	ZESKANTPLUG	FICHE HEXAGONALE	VERSCHLUSSSCHRAUBE	ENCHUFE HEXAGONAL	SEKKANTSPUGG	SPINA ESAGONALE
HEXAGON SCREW	ZESKANTSCHROEF	VIS HEXAGONALE	SECHSKANTSCHRAUBE	TORNILLO HEXAGONAL	SEKKANTSSKRUV	VITE ESAGONALE
HEXAGON WRENCH	ZESKANTSLEUTEL	CLEF HEXAGONALE	SECHSK.-SCHLÜSSEL	LLAVE HEXAGONAL	SEKKANTNYCKEL	CHIAVE FISSA ESAGONALE
HINGE	SCHARNIER	CHARNIÈRE	SCHARNIER	BISAGRA	GÅNGJÄRN	CERNIERA
HOLDER	HOUDER	RECEPTACLE	HALTER	SOPORTE	HÅLLARE	SUPPORTO
HOOD	BESCHERMKAP	CHAPEAU	HAUBE	CAPÓ	KÅPA	CAPPUCCIO
HOOK	HAAK	CROCHET	HAKEN	GANCHO	HAKE	GANCIO
HORN	SEINHOORN	AVERTISSEUR	SIGNALHUPE	BOCINA	HORN	AVVISATORE ACUSTICO
HOSE	SLANG	FLEXIBLE	SCHLAUCH	TUBO	SLANG	SLANG FLESSIBILE
HOSE ASSEMBLY	SLANGENSTEL	TUYAUTERIE	SCHLAUCHARMATUR	SIST. DE MANGUERA	SLANGSATS	GRUPPO DEI TUBI FLESSIBILI
HOSE CLAMP	SLANGKLEM	COLLIER DE TUYAU	SCHLAUCHSCHELLE	ABRAZADERA DE MANGUERA	SLANGKLÄMMA	FASCETTA STRINGITUBO
HOSE CLIP	SLANGKLEM	COLLIER DE TUYAU	SCHLAUCHKLEMMLE	GRAPA DE MANGUERA	SLANGKLÄMMA	SUPPORTO A GRAFFA PER TUBO FLESS.
HOSE CONNECTION	SLANGAANSLUITING	RACCORD DE TUYAU	SCHLAUCHVERB.	CONEXIÓN DE MANGUERA	SLANGANSLUTNING	COLLEGAMENTO PER TUBO FLESS.
HOSE COUPLING	SLANGKOPPELING	RACCORD DE TUYAU	SCHLAUCHKUPPLUNG	ACOPLAM. DE MANGUERA	SLANGKOPPLING	ACCOPPIAMENTO
HOSE INSERT	INZETSTUK SLANG	RACCORD DE TUYAU	SCHLAUCHENSATZSTÜCK	INSERCIÓN DE TUBO	SLANGINGÅNG	INSERTO PER TUBO FLESSIBILE
HOSE NIPPLE	SLANGNIPPEL	DOUILLE DE TUYAU	SCHLAUCHNIPPEL	NIPLE DE MANGUERA	SLANGNIPPEL	NIPPO PER TUBO FLESS.
HOSE REEL	SLANGHASPEL	DEVIDOIR	SCHLAUCHHASPEL	CARRETE DE TUBO	HASPEL	BOBBINA PER TUBO FLESSIBILE
HOSE SUPPORT	STEUEN V. SLANG	SUPPORT DE TUYAU	SCHLAUCHHALTER	SOPORTE DE TUBO	SLANGSTÖD	SUPPORTO PER TUBO FLESSIBILE
HOURLY METER	URENTELLER	HOROMETRE	STUNDENZÄHLER	CUENTAHORAS	TIMRÄKNEVERK	MONTAORE
HOUSE MARK	LOGO	PLAQUE, MAISON	FIRMENSCHILD	MARCA DE LA CASA	HUSMÄRKE	MARCHIO DELLA DITTA
HOUSING	HUIS	CORPS, BOITIER	GEHÄUSE	CAJA	HUS	ALLOGGIAMENTO
HUB	NAAF	MOYEU	NABE	CUBO	NAV	MOZZO
HUMP HOSE	HARMONIKA SLANG	TUYAU	HUMPSCHLAUCH	TUBO CURVO	SLANG	TUBO FLESSIBILE PER SELLA
HUMP REDUCER	HARMONIKA SLANG	REDUCTEUR DE TUYAU	HUMPREDUZIERSTÜCK	REDUCTOR CURVO	SLANGREDUCERINGSSTYCKE	RIDUTTORE PER SELLA

I

IDLER GEAR	VRIJLOOPWIEL	ROUE DENTÉE LIBRE	FREILAUFRAD	PIÑÓN LOCO	MELLANDREV	INGRANAGGIO INTERMEDIO
IDLER PULLEY	VRIJLOOPRIEMSCHIJF	POULIE LIBRE	LEERLAUFRIEMENSCHIEBE	POLEA LOCA	MELLANREMSKIVA	PULEGGIA INTERMEDIA
ILS MODULE	ILS MODUUL	MODULE ILS	ILS-MODUL	MÓDULO DE SISTEMA ILS	ILS-MODUL	MODULO ILS
IMPELLER	IMPPELLER	ROTOR	LAUFRAD	PROPULSOR	LÖPHJUL	GIRANTE
IMPREGNATED PAPER	GEIMPREGNEERD PAPIER	PAPIER IMPREGNE	IMPRÄGNIERTES PAPIER	PAPEL IMPREGNADO	IMPREGNERAT PAPPER	CARTA IMBEVUTA
INDICATION LAMP	VERKLIKKERLAMP	INDICATEUR	KONTROLLAMPE	LÁMPARA DE INDICACIÓN	INDIKATORLAMP	SPIA DI INDICAZIONE
INDICATOR	VERKLIKKER	INDICATEUR	ANZEIGER	INDICADOR	INDICATOR	INDICATORE
INFORMATION LABEL	INFORMATIETABEL	ETIQUETTE D'INFORMATIONS	INFORMATIONSAUFLIKLEBER	ETIQUETA DE INFORMACIÓN	INFORMATIONSETIKETT	TARGHETTA INFORMATIVA
INJECTOR	INJECTOR	INJECTEUR	INIEKTOR	INYEKTOR	INIEKTOR	INIEKTORE
INJECTOR NOZZLE	INJECTORSPIJTSTUK	GICLÉUR D'INJECTEUR	EINSPIRITZDÜSE	TOBERA DE INYECCIÓN	BLÄSTERMUNSTYCKE	UGELLO DELL'INIEKTORE
INLET	INLAAT	ADMISSION	EINLASS	ENTRADA	INLOPP	ASPIRAZIONE, ENTRATA
INLET ADAPTER	INLAATSTUK	ADAPTEUR D'ADMISSION	EINLASSPASSSTÜCK	ADAPTADOR DE ENTRADA	INSUGNINGSADAPTER	ADATTATORE DI ASPIRAZIONE
INLET BAFFLE	INLAATKEERPLAAT	DEFLECTEUR D'ENTREE	EINLASSBLENDENPLATTE	DEFLECTOR DE ENTRADA	INLOPPSSKÄRMPLÅT	DEFLETTORE DI ENTRATA
INLET CASING	INLAATBEHUIZING	BOITIER D'ENTREE	EINLASSGEHÄUSE	CUBIERTA DE ENTRADA	INLOPPSHÖLJE	SCATOLA DI ASPIRAZIONE
INLET FLANGE	INLAATFLENS	BRIDE D'ENTREE	EINLASSFLANSCH	BRIDA DE ENTRADA	INLOPPSFLÄNS	FLANGIA DI ENTRATA
INLET MANIFOLD	INLAATKOLLEKTOR	COLLECTEUR D'ENTREE	EINLASSAMMELROHR	COLECTOR DE ENTRADA	INLOPPSGRENÖRR	COLLETTORE DI ASPIRAZIONE
INLET PANEL	INLAATPANEEL	PANNEAU D'ENTREE	EINLASSPLATTE	PANEL DE ENTRADA	INLOPPSPANEL	PANNELLO DI ENTRATA
INLET PIPE	INLAATPIJP	TUYAU D'ENTREE	EINLASSROHR	TUBERÍA DE ENTRADA	INLOPPSRÖR	TUBO DI ASPIRAZIONE
INLET SILENCER	INLAATGELUIDDEMPER	SILENCIEUX D'ENTREE	EINLASSGERÄUSCHD.	SILENC., ENTRADA	INLOPPSJUDD.	SILENZIATORE DI ASPIRAZIONE
INLET UNION	INLAATVERBINDING	RACCORD D'ENTREE	EINLASSANSCHLUSS	UNIÓN DE ENTRADA	INLOPPSRÖRKOPPLING	RACCORDO DI ENTRATA
INNER PIPE	BINNENPIJP	TUYAU INTERIEUR	INNENROHR	TUBERÍA INTERIOR	INNERÖRR	TUBO INTERNO
INNER PLATE	BINNENPLAAT	PLAQUE INTERIEURE	INNENPLATTE	PLACA INTERIOR	INNERPLÅT	PIASTRA INTERNA
INNER ROOF	BINNENDAK	TOIT INTERIEUR	INNENDACH	TECHO INTERIOR	INNERTAK	TETTO INTERNO
INNER SHELL	TUSSENSCHOT	PAROI INTERIEURE	INNENSCHALE	TABIQUE INTERNO	MELLANPLÅT	GUSCIO INTERNO
INNER TUBE	BINNENBAND	CHAMBRE A AIR	LUFTSCHLAUCH	CÁMARA DE AIRE	INNERSLANG	TUBO INTERNO
INSERT	INVÖEGING	INSERTION	EINSATZ	INSERCIÓN	INSATS	INSERTO
INSERT SLEEVE	INSTEIEKHULS	RAINURE D'INSERTION	EINSCHEIBBÜHSE	MANGUITO DE INSERCIÓN	INSATSHYLSA	MANICOTTO PER INSERTO
INSTRUCTION BOOK	INSTRUCTIEBOEK	MANUEL D'INSTRUCTIONS	BEDIENUNGSANLEITUNG	MANUAL DE INSTRUCCIONES	INSTRUKTIONSBOK	ISTRUZIONI DI ISTRUZIONI
INSTRUCTION LABEL	INSTRUCTIEPLAATJE	LABEL D'INSTRUCTIONS	ANWEISUNGSSCHILD	ETIQUETA DE INSTRUCCIONES	INSTRUKTIONSSKYLT	ETICHETTA DI ISTRUZIONI
INSTRUCTION PLATE	INSTRUCTIEPLAAT	PLAQUE D'INSTRUCTIONS	INSTRUKTIONSSCHILD	PLACA DE INSTRUCCIONES	INSTRUKTIONSSKYLT	TARGHETTA DI ISTRUZIONI
INSTRUMENT BOX	SCHAKELKAST	BOITE A INSTRUMENTS	INSTRUMENTENKASTEN	CAJA DE INSTRUMENTOS	INSTRUMENTSKÅP	SCATOLA DEGLI STRUMENTI
INSTRUMENT DOOR	DEUR V. SCHAKELKAST	PORTE A INSTRUMENTS	INSTRUMENTENTÜR	PUERTA DE INSTRUMENTOS	INSTRUMENTDÖRR	PORTA DEGLI STRUMENTI
INSTRUMENT PANEL	INSTRUMENTENBORD	TABLEAU DE BORD	INSTRUMENTENTAFEL	PANEL DE INSTRUMENTOS	INSTRUMENTPANEL	PANNELLO DEGLI STRUMENTI
INSULATING HOSE	ISOLATIESLANG	TUYAU D'ISOLATION	ISOLIERSCHLAUCH	TUBO DE AISLAMIENTO	ISOLERINGSSLANG	TUBO FLESSIBILE ISOLANTE
INSULATING PLATE	ISOLEERPLAAT	PLAQUE D'ISOLATION	ISOLIERPLATTE	PLACA AISLANTE	ISOLATIONSPÅT	PIASTRA ISOLANTE

ENGLISH	NORSK	DANSK	ΕΛΛΗΝΙΚΑ	PORTUGUÊS	SUOMI
GREASE NIPPLE	SMØRENIPPEL	SMØRENIPPEL	ΓΡΑΣΑΔΟΡΟΣ	BOCAL DE LUBRIFICAÇÃO	RASVANIPPA
GRILL	GRILL	GRILL	ΣΧΑΠΑ, ΠΛΑΤΗΜΑ	GRADEADO	SÄLEIKKÖ
GROMMET	GJENNOMFØRING	GENNEMFØRINGSRING	ΣΤΕΦΑΝΗ	ANEL ISOLADOR	LÄPPIENTITULPPA
GROUND CABLE	JORDINGSKABEL	JORDINGSKABEL	ΚΑΛΩΔΙΟ ΓΕΙΩΣΗΣ	CABO DE LIGAÇÃO À MASSA	MAADOTTUSJOHTO
GRUB SCREW	JUSTERINGSKRUE	SÆTSKRUE	ΚΟΧΛΙΑΣ ΑΣΦΑΛΙΣΗΣ	PARAFUSO SEM CABEÇA	VAARNARUUVI
GUARD	VERN	SKÆRM	ΠΡΟΦΥΛΑΚΤΗΡΑΣ	PROTECÇÃO	SUOUS
GUDGEON PIN	STEMPELTAPP	STEMPELBOLT	ΠΗΡΙΟΣ ΕΜΒΟΛΟΥ	PINO DE PISTÃO	MÄNNÄNTAPPI
GUIDE	FØRING	STYR	ΟΔΗΓΟΣ	GUIA	OHIJAIN
GUIDE PLATE	STYREPLATE	STYREPLADE	ΕΛΑΣΜΑ ΟΔΗΓΟΥ	PLACA DE GUIA	OHIJAINLEVY
GUIDE RING	FØRINGSRING	STYRERING	ΟΔΗΓΟΣ ΑΑΚΤΥΛΙΟΥ	ANEL GUIA	OHIJAINRENGAS
GUIDE SCREW	FØRINGSKRUE	STYRESKRUE	ΟΔΗΓΟΣ ΚΟΧΛΙΑΣ	PARAFUSO GUIA	JOHTORUUVI
GUIDE VALVE	STYREVENTIL	STYREVENTIL	ΟΔΗΓΟΣ ΒΑΛΒΙΑΣ	VÁLVULA DE GUIA	OHIJAINVENTTILI
GUTTER	AVLØPSRENNE	AFLØBSRENDE	ΥΑΡΟΠΟΗ	CALHA DE ESCOAMENTO	KOURU

H

HAND GRIP	HÅNDTAK	HÅNDTAG	ΧΕΙΡΟΛΑΒΗ	PUNHO	KÄDENSUIA
HAND PUMP	HÅNDPUMPE	HÅNDPUMPE	ΧΕΙΡΑΝΤΑΛΙΑ	BOMBA MANUAL	KÄSIPUMPPU
HAND WHEEL	RATT	RAT	ΧΕΙΡΟΤΡΟΧΟΣ, ΒΟΛΑΝ	RODA MANUAL /VOLANTE	KÄSIPYÖRÄ
HANDBRAKE LEVER	HÅNDBREMS	HÅNDBREMSEGREB	ΜΟΧΛΟΣ ΧΕΙΡΟΦΡΕΝΟΥ	ALAVANCA DO TRAVÃO DE MÃO	KÄSIJARRUVIPU
HANDLE	HÅNDTAK	HÅNDTAG	ΛΑΒΗ	MANÍPULO	KÄDENSUIA
HEAD	TOPP	LÅG	ΚΕΦΑΛΗ	CABEÇA	KANSI
HEAD CAP SCREW	HODESKRUE	CYLINDERSKRUE	ΣΚΗΠΑΖΤΗ ΒΙΑΑ	CABEÇA DO PARAFUSO DE TAMPA	KUUSIORUUVI
HEAD SHIELD	HODESKJERM	HOVEDSKJERM	ΚΑΛΥΜΜΑ	BLINDAGEM PRINCIPAL	KANNEN SUOJUS
HEAT BLANKET	VARMETeppe	VARMETÆPPE	ΘΕΡΜΙΚΟ ΠΕΡΙΒΑΛΗΜΑ	COBERTOR TÉRMICO	LÄMMÖNSUOJAVAIPPA
HEAT EXCHANGER	VARMEVEKSLER	VARMEVEKSLER	ΕΝΑΛΛΑΚΤΗΣ ΘΕΡΜΟΤΗΤΑΣ	PERMUTADOR DE CALOR	LÄMMÖNVAIHDIRIN
HEAT INSULATION	VARMEISOLASJON	VARMEISOLERING	ΘΕΡΜΟΜΟΝΩΣΗ	ISOLAMENTO TÉRMICO	LÄMPÖERISTE
HEAT PROTECTION	VARMEBESKYTTELSE	VARMEBESKYTTELSE	ΘΕΡΜΙΚΗ ΠΡΟΣΤΑΣΙΑ	PROTECÇÃO TÉRMICA	LÄMPÖERISTE
HEAT RESISTANCE	VARMEBESTANDIGHET	VARMEBESTANDIGHED	ΘΕΡΜΙΚΗ ΑΝΤΙΣΤΑΣΗ	RESISTÊNCIA TÉRMICA	LÄMMITYSVASTUS
HEAT RESISTOR	VARMEMOTSTAND	VARMEMODSTAND	ΘΕΡΜΙΚΗ ΑΝΤΙΣΤΑΣΗ	RESISTÊNCIA DE AQUECIMENTO	LÄMMITYSVASTUS
HEAT SHIELD	VARMESKJOLD	VARMESKJOLD	ΘΕΡΜΙΚΗ ΑΣΤΙΛΙΑ	BLINDAGEM TÉRMICA	LÄMPÖKILPI
HEATER	VARMER	VARMELEGEME	ΘΕΡΜΑΝΤΗΡΑΣ	AQUECEDOR	LÄMMITIN
HEATER PLUG	VARMERPLUGG	VARMERSTIK	ΣΤΟΙΧΕΙΟ ΠΡΟΘΕΡΜΑΝΤΗΡΑ	TOMADA DO AQUECEDOR	LÄMMITYSTULPPA
HEATING ELEMENT	VARMEELEMENT	VARMEELEMENT	ΘΕΡΜΑΝΤΙΚΟ ΣΤΟΙΧΕΙΟ	ELEMENTO DE AQUECIMENTO	LÄMMITYSVASTUS
HEAVY DUTY FILTERS	HØYEFFEKTFILTERE	HØYEFFEKTFILTER	ΦΙΛΤΡΑ ΒΑΡΕΟΥ ΤΥΠΟΥ	FILTROS DE TRABALHO PESADO	SUURTIPOJODATIN
HELICAL SPRING	SPIRALFjeder	SPIRALFJEDER	ΕΛΙΚΟΙΔΙΑΣ ΕΛΑΤΗΡΙΟ	MOLA HELICOIDAL	KIERREJOUSSI
HEXAGON BOLT	SEKSKANTSKRUE	SEKSKANTBOLT/SKRUE	ΕΞΑΓΩΝΙΚΟΣ ΚΟΧΛΙΑΣ	PARAFUSO DE CABEÇA SEXTAVADA	KUUSIORUUVI
HEXAGON HEAD SCREW	SEKSKANTSKRUE	SEKSKANTSKRUE	ΕΞΑΓΩΝΙΚΟΣ ΚΟΧΛΙΑΣ	PARAFUSO DE CABEÇA SEXTAVADA	KUUSIORUUVI
HEXAGON NIPPLE	SEKSKANTNIPPEL	SEKSKANTNIPPEL	ΕΞΑΓΩΝΙΚΟΣ ΜΑΣΤΟΣ	BOCAL SEXTAVADO	KUUSIONIPPA
HEXAGON PLUG	SEKSKANTPLUGG	SEKSKANTSTIK	ΕΞΑΓΩΝΙΚΟ ΠΩΜΑ	FICHA SEXTAVADA	KUUSIOTULPPA
HEXAGON SCREW	SEKSKANTSKRUE	SEKSKANTSKRUE	ΕΞΑΓΩΝΙΚΟΣ ΚΟΧΛΙΑΣ	PARAFUSO SEXTAVADO	KUUSIORUUVI
HEXAGON WRENCH	SEKSKANTNØKKEL	SEKSKANTNØGLEUNBRAKONØGLE	ΕΞΑΓΩΝΙΚΟ ΚΑΛΙΒΑΙ	CHAVE SEXTAVADA	KUUSIOAVAIN
HINGE	HENGESEL	HENGESEL	ΜΕΝΤΕΣ	CHARNEIRA	SARANA
HOLDER	HOLDER	HOLDER	ΘΗΚΗ, ΥΠΟΔΟΧΗ	SUPORTE	PIDIN
HOOD	HETTE	HÄTTE	ΚΑΛΥΜΜΑ	CAPOTA DO MOTOR	SUOJAKANSI
HOOK	HAKE	KROG	ΑΓΚΥΣΤΡΟ	GANCHO	KOUKKU
HORN	HORN	HORN	ΚΟΡΝΑ	BUZINA	ÄÄNTÖRVI
HOSE	SLANGE	SLANGE	ΕΛΑΣΤΙΚΟΣ ΣΩΛΗΝΑΣ	MANGUEIRA	LETKU
HOSE ASSEMBLY	SLANGESETT	SLANGESÆT	ΣΥΣΤΗΜΑ ΕΛΑΣΤΙΚΟΥ ΣΩΛΗΝΑ	CONJUNTO DA MANGUEIRA	LETKUSARJA
HOSE CLAMP	SLANGEKLEMME	SPÆNDESTYKKE TIL SLANGE	ΣΦΙΚΤΗΡΑΣ ΕΛΑΣΤΙΚΟΥ ΣΩΛΗΝΑ	BRAÇADEIRA DA MANGUEIRA	LETKUPURISTIN
HOSE CLIP	SLANGEKLEPP	KLEMME TIL SLANGE	ΣΤΗΡΙΓΜΑ ΕΛΑΣΤΙΚΟΥ ΣΩΛΗΝΑ	RETENTOR DA MANGUEIRA	LETKUPURISTIN
HOSE CONNECTION	SLANGETILKØPLING	SLANGETILSLUTNING	ΣΥΝΔΕΣΗ ΕΛΑΣΤΙΚΟΥ ΣΩΛΗΝΑ	UNIÃO DE MANGUEIRAS	LETKULIITIN
HOSE COUPLING	SLANGESØPLING	SLANGESAMLING	ΣΥΝΔΕΣΜΟΣ ΕΛΑΣΤΙΚΟΥ ΣΩΛΗΝΑ	ACOPLEMENTO DE MANGUEIRA	LETKULIITIN
HOSE INSERT	SLANGEINNSATS	SLANGEINDSATS	ΠΑΡΕΜΒΑΣΜΑ ΕΛΑΣΤΙΚΟΥ ΣΩΛΗΝΑ	INSERÇÃO DE MANGUEIRA	LETKUN SISÄKAPPALE
HOSE NIPPLE	SLANGENIPPEL	SLANGENIPPEL	ΜΑΣΤΟΣ ΕΛΑΣΤΙΚΟΥ ΣΩΛΗΝΑ	TERMINAL DE MANGUEIRA	LETKUN NIPPA
HOSE REEL	SLANGETROMMEL	SLANGEHASPE	ΕΛΑΣΤΙΚΟΥ ΣΩΛΗΝΑ	CARRETEL/PARANROLAR/MANGUEIRA	LETKUKIUKA
HOSE SUPPORT	SLANGESTØTTE	SLANGESTØTTE	ΥΠΟΣΤΗΡΙΓΜΑ ΕΛΑΣΤΙΚΟΥ ΣΩΛΗΝΑ	APOIO DA MANGUEIRA	LETKUKANNATIN
HOURLY METER	TIMETELLER	TIMEMÅLER	ΩΡΟΜΕΤΡΗΤΗΣ	CONTADOR DE HORAS	KÄYTTÖTUNTIMITTARI
HOUSE MARK	PRODUSENTMERKE	HUSMERKE	ΕΝΔΕΙΚΤΙΚΟΣ ΣΗΜΕΙΟ	MARCA DA CASA	VALMISTAJAN MERKKI
HOUSING	HUS	HUS	ΚΑΙΧΥΦΟΣ	CAIXA	KOTELO
HUB	NAV	NAV	ΠΛΗΜΝΗ	CUBO	NAPA
HUMP HOSE	SLANGE	SLANGE	ΚΥΡΤΟΣ ΕΛΑΣΤΙΚΟΣ ΣΩΛΗΝΑΣ	MANGUEIRA CURVA	LETKU
HUMP REDUCER	STABILISATOR	STABILISATOR	ΚΥΡΤΟΣ ΜΕΙΩΤΗΡΑΣ	REDUTOR CURVO	PALJELASKOSTETTULETKU

I

IDLER GEAR	MELLOMDREV	FRIGEAR	ΕΛΕΥΘΕΡΟ ΓΡΑΝΑΖΙ	ENGRENAGEM INTERMEDIÁRIA	VÄLIPYÖRÄ
IDLER PULLEY	MELLOMREMSKIVE	STYREREMSKIVE	ΕΛΕΥΘΕΡΗ ΤΡΟΧΑΛΙΑ	POLIA INTERMEDIÁRIA	VÄLIHINNAPYÖRÄ
ILS MODULE	ILS-MODUL	ILS-MODUL	ΜΟΝΑΔΑ ILS	MÓDULO ILS	ILS-MODUULI
IMPELLER	PUMPEHJUL	PUMPEHJUL	ΠΤΕΡΩΤΗ	ROTOR	JUOKSUPYÖRÄ
IMPREGNATED PAPER	IMPREGNERET PAPIR	IMPREGNERET PAPIR	ΕΜΠΟΤΙΣΜΕΝΟ ΧΑΡΤΙ	PAPEL IMPREGNADO	KYLLÄSTETTY PAPERI
INDICATION LAMP	INDIKATORLAMPE	INDIKATORLAMPE	ΕΝΔΕΙΚΤΙΚΗ ΑΥΧΝΙΑ	LÂMPADA DE REFERÊNCIA	MERKKIVALO
INDICATOR	INDIKATOR	INDIKATOR	ΔΕΙΚΤΗΣ	INDICADOR	OSOTIN
INFORMATION LABEL	MERKELAPP	INFORMATIONSLABEL	ΕΤΙΚΕΤΑ ΠΛΗΡΟΦΟΡΙΩΝ	ETIQUETA DE INFORMAÇÃO	INFORMAATIOTARRA
INJECTOR	INNSPRØYTNINGSDYSE	INJEKTOR	ΕΙΧΥΤΗΡΑΣ	INJECTOR	SUIHKUTUSVENTTILI
INJECTOR NOZZLE	INNSPRØYTNINGSDYSE	INNSPRØYTNINGSDYSE	ΑΚΡΟΦΥΣΙΟ ΠΡΕΚΑΣΜΟΥ	BOCAL DO INJECTOR	SUIHKUTUSVENTTILIN SUUTIN
INLET	INNLOP	INDSUGNING	ΕΙΣΟΔΟΣ, ΕΙΣΑΓΩΓΗ	ADMISSÃO	TULO
INLET ADAPTER	INNLOPSADAPTER	INDSUGNINGSADAPTER	ΠΡΟΣΑΡΜΟΓΕΑΣ ΕΙΣΟΔΟΥ	ADAPTADOR DA ADMISSÃO	IMULIITIN
INLET BAFFLE	INNLOPSLEDEPLATE	INDLØBSLEDEPLADE	ΔΙΑΦΡΑΓΜΑ ΕΙΣΑΓΩΓΗΣ	DEFLECTOR DE ADMISSÃO	IMUPOULEN EROTUSLEVY
INLET CASING	INNLOPSHUS	INDLØBSHUS	ΠΕΡΙΒΑΛΗΜΑ ΕΙΣΑΓΩΓΗΣ	REVESTIMENTO DE ADMISSÃO	IMUKOTELO
INLET FLANGE	INNLOPSFLENS	INDLØBSFLANGE	ΦΛΑΝΤΖΑ ΕΙΣΑΓΩΓΗΣ	FLANGE DE ADMISSÃO	IMULAIPPA
INLET MANIFOLD	INNSUGNINGSMANIFOLD	INDSUGNINGSRENDRØR	ΣΥΣΤΗΜΑ ΣΩΛΗΝΩΣΕΩΝ ΕΙΣΟΔΟΥ	TUBAGEM DE ADMISSÃO	IMUSARJA
INLET PANEL	INNLOPSPANEL	INDLØBSPANEL	ΔΙΑΦΡΑΓΜΑ ΕΙΣΑΓΩΓΗΣ	PAINEL DE ADMISSÃO	IMUPOULEN PANEELI
INLET PIPE	INNLOPSRØR	INDLØBSRØR	ΣΩΛΗΝΑΣ ΕΙΣΑΓΩΓΗΣ	TUBO DE ADMISSÃO	IMUPUTKI
INLET SILENCER	LYDDEMPEP PÅ INNLOPET	INDSUGNINGSDEMPEP	ΣΙΓΑΣΤΗΡΑΣ ΕΙΣΟΔΟΥ	SILENCIADOR DE ADMISSÃO	IMUÄÄNNAIVEMENNIN
INLET UNION	INNLOPSKØPLING	INDLØBSKØBLING	ΣΥΝΔΕΣΜΟΣ ΕΙΣΑΓΩΓΗΣ	UNIÃO DE ADMISSÃO	TULOLIITIN
INNER PIPE	INNERØR	INDERRØR	ΕΣΩΤΕΡΙΚΟΣ ΣΩΛΗΝΑΣ	TUBO INTERIOR	SISÄPUTKI
INNER PLATE	INNVEDIG PLATE	INDVENDIG PLADE	ΕΛΑΣΜΑ ΕΙΣΑΓΩΓΗΣ	PLACA INTERIOR	SISÄLEVY
INNER ROOF	INNVEDIG TAK	INDVENDIG TAG	ΕΣΩΤΕΡΙΚΗ ΟΡΟΦΗ	TECTO INTERIOR	SISÄKATTO
INNER SHELL	INNVEDIG PLATE	MELLEMLADE	ΕΣΩΤΕΡΙΚΟ ΠΕΡΙΒΑΛΗΜΑ	PARDE INTERIOR	VÄLILEVY
INNER TUBE	INNERSLANGE	INDVENDIG SLANGE	ΕΣΩΤΕΡΙΚΟΣ ΑΥΛΟΣ	TUBO INTERIOR	SISÄRENGAS
INSERT	INNSATS	INDSATS	ΠΑΡΕΜΒΑΣΜΑ	SECÇÃO	SISÄKAPPALE
INSERT SLEEVE	INNLEGGSHYLSE	INDSATSØSNING	ΦΥΛΑΟ ΠΑΡΕΜΒΑΣΜΑΤΟΣ	MANGA DE INTRODUÇÃO	SISÄHOLKKI
INSTRUCTION BOOK	BRUKSANVISNING	INSTRUKTIONSBOG	ΕΓΧΕΙΡΙΔΙΟ ΟΡΟΦΗΣ	LIVRO DE INSTRUÇÕES	OHJEKIRJA
INSTRUCTION LABEL	INSTRUKSJONSSKILT	INSTRUKTIONSETIKET	ΠΙΝΑΚΙΑ ΟΔΗΓΙΩΝ	ETIQUETA DE INSTRUÇÕES	OHJETARRA
INSTRUCTION PLATE	INSTRUKSJONSPATE	INSTRUKTIONSPLADE	ΠΙΝΑΚΙΑ ΟΔΗΓΙΩΝ	PLACA DE INSTRUÇÕES	OHJEKILPI
INSTRUMENT BOX	INSTRUMENTBOKS	INSTRUMENTBOKS	ΚΙΒΩΤΙΟ ΟΡΓΑΝΩΝ ΕΛΕΥΘΟΥ	CAIXA DE INSTRUMENTOS	OHJEKÄÄNNAIPPI
INSTRUMENT DOOR	INSTRUMENTDØR	INSTRUMENTDØR	ΠΟΡΤΑ ΟΡΓΑΝΩΝ ΕΛΕΥΘΟΥ	PORTA DE INSTRUMENTOS	KYTKENTÄKAAPIIN OVI
INSTRUMENT PANEL	INSTRUMENTPANEL	INSTRUMENTPANEL	ΠΙΝΑΚΑΣ ΟΡΓΑΝΩΝ	PAINEL DE INSTRUMENTOS	KOJETAULU
INSULATING HOSE	ISOLASJONSSLANGE	ISOLERINGS SLANGE	ΜΟΝΩΤΙΚΟΣ ΕΛΑΣΤΙΚΟΣ ΣΩΛΗΝΑΣ	MANGUEIRA DE ISOLAMENTO	ERISTYSLETKU
INSULATING PLATE	ISOLASJONSPATE	ISOLERINGSPLADE	ΜΟΝΩΤΙΚΗ ΠΛΑΚΑ	PLACA DE ISOLAMENTO	ERISTYSLEVY

ENGLISH	NEDERLANDS	FRANCAIS	DEUTSCH	ESPAÑOL	SVENSKA	ITALIANO
INSULATING STRIP	ISOLATIESTRIP	BANDE D'ISOLATION	ISOLIERSTREIFEN	TIRA DE AISLAMIENTO	ISOLERINGSBAND	NASTRO ISOLANTE
INSULATION	ISOLATIE	ISOLATION	ISOLIERUNG	AISLAMIENTO	ISOLERING	ISOLAMENTO
INTERCOOLER	TUSSENKOELER	REFROIDISSEUR INTERM.	ZWISCHENKÜHLER	REFRIG INTERMEDIO	MELLANKYLARE	REFRIGERATORE INTERMEDIO
INTERIOR LAMP	BINNENLAMP	LAMPE INTERIEURE	INNENLEUCHTE	LAMPARA INTERIOR	INNERLAMPARE	LAMPADA INTERNA
INTERMEDIATE PIECE	TUSSENSTUK	PIECE INTERMEDIAIRE	ZWISCHENSTÜCK	PIEZA INTERMEDIA	MELLANSTYCKE	PEZZO INTERMEDIO
INTERNAL CIRCLIP	INW. SEEGERRING	CIRCLIP INTERIEUR	SICHERUNGSRING	ANILLO DE PISTÓN INTERMEDIO	INRE LÅSRING	FERMAGLIO CIRCOLARE INTERNO
INVERTOR	OMKEERINRICHTING	CONVERTISSEUR	WECHSELRICHTER	INVERSOR	VÄXELRIKTARE	INVERTITORE
ISOLATOR	ISOLATOR	ISOLATEUR	ISOLATOR	AISLANTE	ISOLATOR	SEZIONATORE
J						
JACKET	MANTEL	ENVELOPPE	VERKLEIDUNG	ENVOLTURA	MANTEL	RIVESTIMENTO
JOCKEY WHEEL	NEUSWIEL	ROUE DE SUPPORT	FÜHRUNGSROLLE	POLEA TENSORA	SPÄNNRULLE	SPALLERIA TENDICINGHIA
JOINT	VERBINDING	RACCORD	GELENK	JUNTA	LED	GIUNTO
JOINT BOLT	VERBINDINGSBOUT	BOULON DE RACCORDEMENT	VERBINDUNGSBOLZEN	PERNO DE LA JUNTA	LÅSBULT	BULLONE DEL GIUNTO
JOINT FOR COUPLING	VERBINDING VOOR KOPPELING	RACCORD	VERBINDUNGSGLIED/FÜRKOPPLING	JUNTA PARA LA CONEXIÓN	KOPPLINGSLED	GIUNTO PER ACCOPIAMENTO
JOURNAL	ASHALS	FUSEE	ZAPFEN	MUÑÓN	LAGERTAPP	ZONA SUPPORTATA
JUMPER	JUMPER	CAVALIER	DRAHTBRÜCKE	CONEXIÓN EN PUENTE	BYGEL	PONTE
JUMPER BAR	OVERBRUGGING	CONNEXION VOLANTE	ÜBERBRÜCKUNG	PUENTE	ÖVERBRYGGNING	PONTE
JUMPER CABLE	OVERBRUGGINGSKABEL	CABLE DE PONTAGE	ÜBERBRÜCKUNGSKABEL	CABLE DE CONEXIÓN	HJÄLPSTARTKABEL	CAVO DI ACCOPIAMENTO
JUNCTION BLOCK	AANSLUITBLOK	BLOC DE JONCTION	VERBINDUNGSBLOCK	BLOQUE DE JUNTA	KOPPLINGSBLOCK	BASSETTA DI GIUNZIONE
JUNCTION BOX	AANSLUITDOOS	BOITE DE JONCTION	ANSCHLUSSDOSE	CAJA DE EMPALMES	KOPPLINGSLÅDA	MUFFOLA
K						
KEY	SLEUTEL	CLEF	SCHLÜSSEL	LLAVE	NYCKEL	CHIAVE
KEY HOLDER	SLEUTELHOUDER	PORTE-CLEF	HAHNFASSUNG	SOPORTE DE LLAVE	NYCKELHÅLLARE	SUPPORTO PER CHIAVE
KEY RING	SLEUTELRING	BAGUE DE CLEF	SCHLÜSSELRING	ANILLO LLAVE	NYCKELRING	ANELLO CON CHIAVE
KEY SWITCH	SLEUTELCONTACT	CONTACT AVEC CLEF	SCHLÜSSELSCHALTER	INTERRUPTOR CON LLAVE	NYCKELBRYTARE	INTERRUTTORE CON CHIAVE
KEY WOODRUFF	SCHLÜSSEL	CLAVETTE	SCHLÜSSELFEDER	CHAVETA DE MEDIA CAÑA	KIL	STELLA A CHIAVE
KING PIN	FUSEEPIEN	TOURILLON DIRECT.	ACHSSCHENKELBOLZ.	PIVOTE DE DIRECCIÓN	SPINDELBULT	PERNO DEL FUSO A SNODO
KIT, COLD START AID	KOUDSTARTUITRUSTING	KIT DEMARRAGE A FROID	KALTSTARTHILFE	EQUIPO DE ARRANQUE EN FRÍO	KALLSTARTUTRUSTING	KIT, AVVIAMENTO A FREDDO
KNOB	KNOP	BOUTON	KNOPF	BOTÓN	KNAPP	MANOPOLA
L						
L-BAR	HOEKPROFIEL	BARRE EN L	L-STANGE	BARRA EN L	L-STÅNG	BARRA A "L"
L-PROFILE	HOEKPROFIEL	PROFIL EN L	L-PROFIL	PERFIL EN L	L-PROFIL	PROFILO A "L"
LABEL	PLAATJE	ETIQUETTE	ETIKETTE	ETIQUETA	SKYLT	ETICHETTA
LADDER	LADDER	ECELLE	LEITER	ESCALA	STEGE	SCALA A PIOLI
LAMIN. RING	GELAAGDE RING	ANNEAU LAMINE	MEHRSCHICHTRING	ANILLO LAMINADO	LAMELL	ANELLO LAMINATO
LAMP	LAMP	LAMPE	LAMPE	LÁMPARA	LAMPA	LAMPADA, SPIA
LAMPHOLDER	LAMPHOUDER	DOUILLE DE LAMPE	LAMPENFASSUNG	PORTELÁMPARA	LAMPHÅLLARE	PORTELAMPADA
LATCH	SLUITING	SERRURE	SERRURE	CERROJO	REGEL	CHIAVISTELLO
LEAFLET	FORMULIER	DEPLIANT	BROSCHÜRE	FOLLETO	FOLDER	VOLANTINO
LEG	POOT	PIED	FUSS	SOPORTE	BEN	GAMBA
LEG BRACKET	STEUN VOOR POOT	SUPPORT DE PIED	FUSSSTÜTZE	ABRAZADERA DE SOPORTE	BENHÅLLARE	MENSOLA DELLA GAMBA
LEGEND PLATE	PLAAT M. GEGEVENS	PLAQUE LEGENDE	ZEICHENERKLÄRUNGSSCHILD	PLACA CON INSCRIPCIÓN	TECKENSKYLT	PIASTRA DELLA LEGENDA
LENS	LENS	LENTILLE	LINSE	LENTE	LINS	LENTE
LENS, GREEN	LENS, GROEN	LENTILLE VERTE	LINSE, GRÜN	LENTE, VERDE	LINS, GRÖN	LENTE, VERDE
LENS, RED	LENS, ROOD	LENTILLE ROUGE	LINSE, ROT	LENTE, ROJA	LINS, RÖD	LENTE, ROSSA
LENS, WHITE	LENS, WIT	LENTILLE BLANCHE	LINSE, WEISS	LENTE, BLANCA	LINS, VIT	LENTE, BIANCA
LENS, YELLOW	LENS, GEEL	LENTILLE JAUNE	LINSE, GELB	LENTE, AMARILLA	LINS, GUL	LENTE, GIALLA
LEVEL DEVICE	NIVEAU MECHANISME	DISPOSITIF DE NIVELLEMENT	NIVELLIERVORR.	DISP. NIVELADOR	NIVÅREGLAGE	DISPOSITIVO DI LIVELLO
LEVEL GAUGE	NIVEAUMETER	JAUGE DE NIVEAU	NIV.-STANDMESS.	MEDIDOR DE NIVEL.	NIVÅMÅTARE	LIVELLO
LEVEL INDICATOR	NIVEAUMETER	INDICATEUR DE NIVEAU	NIVEAUMESSER	INDIC. DE NIVEL	NIVÅINDIKATOR	INDICATORE DI LIVELLO
LEVEL SENSOR	PEILSENSOR	CAPTEUR DE NIVEAU	PEGELMESSFÜHLER	SENSOR DE NIVEL	NIVÅGIVARE	SENSORE DI LIVELLO
LEVEL SWITCH	NIVEAUSCHAKELAAR	INTERRUPTEUR DE NIVEAU	FÜLLSTANDSSCHALTER	INTERRUPTOR DE NIVEL	NIVÅBRYTARE	INTERRUTTORE DI LIVELLO
LEVER	HEFBOOM	LEVIER	HEBEL	PALANCA	HÅVARM	LEVA
LH (LEFT HAND)	LINKS	GAUCHE	LINKS	MANO IZQUIERDA	VÄNSTER	SINISTRA
LID	DEKSEL	COUVERCLE	DECKEL	CUBIERTA	LOCK	SPORTELLA
LIFTING BEAM	HUSBALK	LEVIER DE LEVAGE	HEBEBAUM	VIGA DE ELEVACIÓN	LYFTOK	TRAVE DI SOLLEVAMENTO
LIFTING DEVICE	HEFWERKTUIG	DISPOSITIF DE LEVAGE	HEBEWERKZEUG	DISPOSITIVA DE ELEVACIÓN	LYFTANORDNING	DISPOSITIVO DI SOLLEVAMENTO
LIFTING EYE	HUISOOG	OEIL DE LEVAGE	HEBEÖSE	ANILLA DE ELEVACIÓN	LYFTÖGLA	GOLFARE
LIFTING FRAME	HUISFREEM	CADRE DE LEVAGE	HEBERAHMEN	BASTIDOR DE IZAR	LYFTFRAM	STRUTTURA DI SOLLEVAMENTO
LIFTING PLATE	HEFPLAAT	PLAQUE DE LEVAGE	HEBEPLATTE	PLACA DE ELEVACIÓN	LYFTPLÅT	PIASTRA DI SOLLEVAMENTO
LIFTING SUPPORT	HEFSTEUN	SUPPORT DE LEVAGE	HEBESTÜTZE	SOPORTE DE ELEVACIÓN	LYFTSTÖD	SUPPORTO DI SOLLEVAMENTO
LIFTING TOOL	HIJSTOESTEL	OUTIL DE LEVAGE	HEBEZEUG	APARATO ELEVADOR	LYFTVERKTYG	UTENSILE DI SOLLEVAMENTO
LIFTING YOKE	HEFJUK	PALANCHE DE LEVAGE	HEBEJOCH	BRIDA DE ELEVACIÓN	LYFTOK	MORSETTO DI SOLLEVAMENTO
LIGHT	LICHT	LAMPE	LICHT	LUZ	LAMPA	LUCE
LIGHT AND HORN	LICHT EN GELUID	ECLAIRAGE ET SONNERIE	LEUCHTE UND HUPE	LUZ Y BOCINA	LAMPA OCH SIGNALHORN	LAMPA E AVVISATORE ACUSTICO
LIGHT REFLECTOR	REFLECTOR V. LAMP	REFLECTEUR	REFLEKTOR	REFLECTOR DE LUZ	LAMPREFLEKTOR	RIFLETTORE
LIGHT TOWER	VERLICHTINGSTOREN	TOUR D'ECLAIRAGE	LEUCHTTURM	TORRE DE LUZ	LAMPSTOLPE	TORRE DELLA LUCE
LIMIT SWITCH	BEGRENZINGSSCHAKELAAR	INTERR. FIN DE COURSE	GRENZSCHALTER	INTERR. FINAL DE CARRERA	GRÄNSSTALLARE	INTERRUTTORE DI FINE-CORSA
LINE CONTACTOR	LIJNCONTACTOR	CONTACTEUR DE LIGNE	LEITUNGSSCHALTER	CONTACTOR DE LÍNEA	NÄTKONTAKTOR	CONTACTTORE DI LINEA
LINER	VOERING	GARNITURE	AUSKLEIDUNG	FORRO	INSATS	SPESORE
LINK	VERBINDINGSSTUK	ARTICULATION	VERBINDUNGSGLIED	UNIÓN	LÄNK	ARTICOLAZIONE
LINK PIN	VERBINDINGSPEN	GOUILLE D'ARTICULATION	VERBINDUNGSSTIFT	CLAVIA DE ENLACE	KÄTTINGBULT	SPINA DELL'ARTICOLAZIONE
LINK ROD	VERBINDINGSSTANG	BROCHE D'ARTICULATION	VERBINDUNGSSTANGE	BARRA DE ENLACE	LÄNKSTÅNG	STILO DELL'ARTICOLAZIONE
LIP SEAL	LIPAFDICHTING	JOINT LANGUETTE	LIPPENDICHTUNG	JUNTA DE LABIOS	LÄPPTÄTNING	TENUTA A LABBRO
LIQUID DRYER	VLOEISTOFDROGER	SECHEUR DE LIQUIDE	FLÜSSIGK.-TROCKNER	SECADOR DE LÍQUIDO	VÅTSKETORKARE	ESSICCATORE PER LIQUIDO
LIQUID RECEIVER	VLOEISTOFVAT	RESERVOIR, LIQUIDE	FLÜSSIGKEITSGEFÄSS	DEPÓSITO DE LÍQUIDO	VÅTSKEBEHÅLLARE	SERBATOIO DEL LIQUIDO
LOAD CENTER	BELASTINGSMIDDENPUNT	CENTRE DE CHARGEMENT	LASTSCHWERPUNKT	CENTRO DE CARGA	LASTCENTRUM	CENTRO DI CARICO
LOADING VALVE	BELASTKLEP	SOUPAPE DE CHARGE	BELASTUNGSVENTIL	VÁLVULA DE CARGA	PÅLASTNINGSVENTIL	VÁLVULA DI MESSA A CARICO
LOCATING RING	POSITIONERINGSRING	BAGUE DE CENTRAGE	AUFNAHMERING	ANILLO DE LOCALIZACIÓN	LÅSRING	ANELLO DI CENTRAGGIO
LOCK	SLOT	SERRURE, VERROUILLAGE	SCHLOSS	CERRADURA	LÅS	FERMO
LOCK DEVICE	BORGMECHANISME	DISPOSITIF DE VERROUILLAGE	FESTSTELLVORRICHTUNG	DISPOSITIVO DE BLOQUEO	LÅSANORDNING	DISPOSITIVO DI BLOCCAGGIO
LOCK HOOK	BORGHAAK	CROCHET DE VERROUILLAGE	VERRIEGELUNGSHAKEN	GANCHO DE BLOQUEO	LÅSHAKE	GANCIO DI FERMO
LOCK NUT	BORGMOER	CONTRE-ECROU	KONTERMUTTER	CONTRATUERCA	LÅSMUTTER	CONTRODADO
LOCK PIN	BORGPEN	GOUILLE DE FIXATION	HALTEBOLZEN	PASADOR DE FIJACIÓN	LÅSBULT	SPINA DI FERMO
LOCK RING	BORGRING	BAGUE D'ARRÊT	SICHERUNGSRING	ANILLO DE CIERRE	LÅSRING	ANELLO DI FERMO
LOCK SPRING	BORGVEER	RESSORT	HALTEFEDER	MUELLE DE CIERRE	LÅSFJÄDER	MOLLA DI FERMO
LOCK WASHER	BORGPLAATJE	RONDELLE DE BLOCAGE	SICHERUNGSSCHEIBE	ARANDELA DE SEGURIDAD	LÅSBRICKA	ROSETTA DI SICUREZZA
LOCK WIRE	BORGDRAAD	FIL DE BLOCAGE	ARRETTIERUNGSDRAHT	HILO DE BLOQUEO	LÅSTRÅD	FILO DI FRENATURA
LOCKING BAR	BORGSTANG	BARRE DE BLOCAGE	RIEGEL	BARRA DE BLOQUEO	LÅSKOLV	BARRA DI BLOCCAGGIO
LOCKING CLAMP	BORGKLEM	ATTACHE DE BLOCAGE	VERRIEGELUNGSKLEMME	ABRAZADERA DE BLOQUEO	LÅSKLÄMMA	MORSETTO DI BLOCCAGGIO
LOCKING CLIP	BORGCLIP	ATTACHE DE BLOCAGE	VERRIEGELUNGSCLIP	PRESILLA DE BLOQUEO	LÅSKLÄMMA	FERMAGLIO DI SICUREZZA
LOCKING PLATE	BORGPLAAT	PLAQUE DE BLOCAGE	SICHERUNGSBLECH	PLACA DE FIJACIÓN	LÅSPLÅT	PIASTRA DI BLOCCAGGIO
LOCKING ROD	BORGSTANG	BROCHE DE BLOCAGE	VERRIEGELUNGSSTANGE	BARRA DE BLOQUEO	LÅSSTÅNG	STILO DI FERMO
LOUVER	ROOSTER	GRILLE	GITTER	REJILLA	GALLER	SFINISTRATURA
LOW VOLTAGE PROTECTION	LAAGSPANNINGSBEVEILIGING	PROTECTION BASSE TENSION	NIEDERSPANNUNGSSCHUTZ	PROTECCIÓN DE VOLTAJE BAJO	LÅGSPÄNNINGSSKYDD	PROTEZIONE A BASSO VOLTAGGIO
LOWER	ONDERSTE	INFERIEUR	UNTER	INFERIOR	NEDRE	INFERIORE

ENGLISH	NORSK	DANSK	ΕΛΛΗΝΙΚΑ	PORTUGUÊS	SUOMI
INSULATING STRIP	ISOLASJONSLIST	ISOLERINGSLISTE	ΜΟΝΩΤΙΚΗ ΤΑΙΝΙΑ	FAIXA DE ISOLAMENTO	ERISTYSLIUSKA
INSULATION	ISOLERING	ISOLERING	ΜΟΝΩΣΗ	ISOLAMENTO	ERISTE
INTERCOOLER	LADELUFTKJØLER	MELLEMKØLER	ΕΝΔΙΑΜΕΣΟΣ ΨΥΚΤΗΣ	REFRIGERADOR INTERMEDIÁRIO	VÄLIJÄÄHDYTYN
INTERIOR LAMP	INTERIØRLAMPE	INTERIØRLAMPE	ΕΣΩΤΕΡΙΚΗ ΑΛΜΠΑ	LÂMPADA INTERIOR	SISÄVALO
INTERMEDIATE PIECE	MELLOMSTYKKE	MELLEMSTYKKE	ΕΝΔΙΑΜΕΣΟ ΤΜΗΜΑ	PEÇA INTERMÉDIA	VÄLIKAPPALE
INTERNAL CIRCLIP	INNVEDIG LÅSERING	INDVENDIG LÅSERING	ΕΣΩΤΕΡΙΚΟΣ ΑΣΦΑΛΕΤΙΚΟΣ ΠΑΡΑΚΥΚΛΟΣ	ANEL DE RETENÇÃO INTERNO	SISÄINEN LUKKORENGAS
INVERTOR	OMFORMER	INVERTER	ΙΝΒΕΡΤΕΡ	INVERSOR	KÄÄNNIN
ISOLATOR	ISOLATOR	ISOLATOR	ΑΠΟΜΟΝΩΤΗΡΑΣ	ISOLADOR	EROTIN

J

JACKET	KAPPE	KAPPE	ΕΠΕΝΔΥΣΗ ΧΙΤΩΝΙΟ, ΠΕΡΙΒΛΗΜΑ	REVESTIMENTO DE PROTECÇÃO	VAIPPA
JOCKEY WHEEL	STRAMMEHJUL	STRAMMERULLE	ΕΝΤΑΘΡΑΣ ΤΡΟΧΟΣ	RODA TENSORA	OHJAUSPYÖRÄ
JOINT	KOPLING	SAMLING	ΣΥΝΔΕΣΜΟΣ	JUNTA	YHDYSKAPPALE
JOINT BOLT	KOPLINGSBOLT	KOBLINGSBOLT	ΚΟΧΛΙΑΣ ΣΥΝΔΕΣΜΟΥ	PARAFUSO DA JUNTA	YHDYSPULTTI
JOINT FOR COUPLING	KOPLINGSFORBINDELSE	KOBLINGSFORBINDELSE	ΣΥΝΔΕΣΜΟΣ ΣΥΖΕΥΣΗΣ	JUNTA PARA ACOPLAMENTO	KYTKIMEN LIITOS
JOURNAL	LAGERTAPP	AKSELTAP	ΠΕΡΙΛΕΩΝΙΟ	APOIO	AKSELITAPPI
JUMPER	STRAPP	PROVEKABEL	ΔΙΑΚΑΛΩΣΤΗΡΑΣ	LIGAÇÃO EM PONTE	HYPPYJOHDIN
JUMPER BAR	BROKOPLING	TV-ERSTANG	ΜΗΠΑ ΔΙΑΚΑΛΩΣΗΣ	BARRA PONTE	SILTAUS
JUMPER CABLE	FORBINDELSKABEL	KABEL TIL TV-ERSTANG	ΚΑΘΩΔΟ ΔΙΑΚΑΛΩΣΗΣ	CABO DE LIGAÇÃO DIRECTA	VÄLIKAAPELI
JUNCTION BLOCK	KOPLINGSBLOK	KOBLINGSBLOK	ΣΥΣΤΗΜΑ ΔΙΑΚΑΛΩΣΗΣ	BLOCO DE JUNÇÃO	HAAROTTUSRASIA
JUNCTION BOX	KOPLINGSBOKS	KOBLINGSKASSE	ΚΟΥΤΙ ΔΙΑΝΟΜΗΣ	CAIXA DE DERIVAÇÃO / JUNÇÃO	HAAROTTUSRASIA

K

KEY	NØKKEL	NØGLE	ΚΛΕΙΔΙ	CHAVE	AVAIN
KEY HOLDER	NØKKELHOLDER	NØGLEHOLDER	ΥΠΟΔΟΧΗ ΚΛΕΙΔΙΑΣ	CHAVE FIXADORA	AVAIMENPIDIN
KEY RING	NØKKELRING	NØGLERING	ΑΑΚΤΥΛΙΟΣ ΚΛΕΙΔΑΡΙΑΣ	CHAVE DE LUNETAS	AVAINRENGAS
KEY SWITCH	NØKKELBRYTER	NØGLEAFBRYDER	ΚΛΕΙΔΙ ΔΙΑΚΟΠΤΗΣ	INTERRUPTOR DE CHAVE	AVAINKYTKIN
KEY WOODRUFF	WOODRUFF-KILE	SKIVEFJEDER	ΕΥΑΙΝΟ ΚΟΑΡΟ ΚΛΕΙΔΑΡΙΑΣ	CHAVE DE WOODRUFF	SEGMENTTIKIILA
KING PIN	SPINDELBOLT	STYREBOLT	ΠΙΠΕΡΟΣ ΑΚΡΑΕΩΝΙΟΥ	PINO CENTRAL	KESKIÖTAPPI
KIT, COLD START AID	KALDSTARTSETT	KOLDSTARTSÆT	ΣΥΝΘΑΛΕΞΑΡΤΗΜΑΤΩΝ ΨΥΧΡΗΣ ΕΚΚΙΝΗΣΗΣ	CON. DE AJUDA PARA ARRAN. FRIO	KYLMÄKÄYNNISTYSLAITTEET
KNOB	KNAPP	KNAP	ΚΟΜΟΝΕΤΑ	MAÇANETA	NUPPI

L

L-BAR	L-STANG	L-STANG	ΜΗΠΑ Λ	BARRA EM L	L-PROFILI
L-PROFILE	L-PROFIL	L-PROFIL	ΔΙΑΤΟΜΗ Λ	PERFIL EM L	L-PROFILI
LABEL	SKILT	SKILT	ΠΙΝΑΚΙΑ	ETIQUETA	KILPI
LADDER	STIGE	STIGE	ΣΚΑΛΑ	ESCADA	TIKAPUIT
LAMIN RING	LAMELL	LAMEL	ΣΥΣΤΗΜΑΤΟΠΟΙΗΜΕΝΟΣ ΑΑΚΤΥΛΙΟΣ	ANEL LAMINADO	LAMELLIRENGAS
LAMP	LAMPE	LAMPE/PÆRE	ΛΥΧΝΙΑ, ΑΛΜΠΑ, ΦΑΝΟΣ	LÂMPADA	LAMPPU
LAMPHOLDER	LAMPEHOLDER	LAMPEHOLDER/FATNING	ΥΠΟΔΟΧΗ ΑΛΜΠΙΑΣ	SUPORTE DE LÂMPADA	LAMPUNPIDIN
LATCH	FALLE	KLINKE	ΣΥΡΤΗΣ	TRINCO	SALPA
LEAFLET	BROSJYRE	BROCHURE	ΦΥΛΛΑΔΙΟ	FOLHETO	LEHTINEN
LEG	BEN	BEN	ΣΚΕΛΟΣ	ESCORAS	JALKA
LEG BRACKET	BENBRACKET	BENKONSOL	ΜΗΠΑΚΕΤΟ ΣΚΕΛΟΥΣ	ESCORAS DE SUPORTE	JALAN TUKI
LEGEND PLATE	MERKEPLATE	PLADE MED BESKRIVELSE	ΠΙΝΑΚΙΑ ΥΠΟΜΝΗΜΑΤΟΣ	PLACA INDICADORA	INFOKILPI
LENS	LINSE	LYGTEGLAS	ΦΑΚΟΣ	LENTE	LINSSI
LENS, GREEN	LINSE, GRØNN	LYGTEGLAS, GRØN	ΦΑΚΟΣ ΠΡΑΣΙΝΟΣ	LENTE VERDE	LINSSI, VIHREÄ
LENS, RED	LINSE, RØD	LYGTEGLAS, RØD	ΦΑΚΟΣ ΚΟΚΚΙΝΟΣ	LENTE VERMELHA	LINSSI, PUNAINEN
LENS, WHITE	LINSE, HVIT	LYGTEGLAS, HVID	ΦΑΚΟΣ ΛΕΥΚΟΣ	LENTE BRANCA	LINSSI, VALKOINEN
LENS, YELLOW	LINSE, GUL	LYGTEGLAS, GUL	ΦΑΚΟΣ ΚΙΤΡΙΝΟΣ	LENTE AMARELA	LINSSI, Keltainen
LEVEL DEVICE	NIVÅREGULATOR	NIVEAUREGULERING	ΣΥΣΤΗΜΑ ΕΛΕΓΧΟΥ ΣΤΑΘΜΗΣ	DISPOSITIVO NIVELADOR	TASONSÄÄDIN
LEVEL GAUGE	NIVÅMÅLER	NIVEAUMÅLER	ΜΕΤΡΗΤΗΣ ΕΛΕΓΧΟΥ ΣΤΑΘΜΗΣ	MANÓMETRO INDICADOR DE NÍVEL	TASOMITTARI
LEVEL INDICATOR	NIVÅINDIKATOR	NIVEAUIDIKATOR	ΔΕΙΚΤΗΣ ΣΤΑΘΜΗΣ	INDICADOR DE NÍVEL	TASON OSOITIN
LEVEL SENSOR	NIVÅFØLER	NIVEAUFØLER	ΑΙΣΘΗΤΗΡΑΣ ΣΤΑΘΜΗΣ	SENSOR DE NÍVEL	TASOANTURI
LEVEL SWITCH	NIVÅBRYTER	NIVEAUFBRYDER	ΔΙΑΚΟΠΤΗΣ ΣΤΑΘΜΗΣ	INTERRUPTOR DE NÍVEL	TASOKYTKIN
LEVER	SPAK	LØFTEAM	ΜΟΧΛΟΣ	ALAVANCA	VIPU
LH (LEFT-HAND)	VS (VENSTRE SIDE)	VH (VENSTRE)	ΑΡΙΣΤΕΡΑ	ESQUERDO	VASEN
LID	LOKK	LÅG	ΚΑΠΑΚΙ	PORTINHOLA	KANSI
LIFTING BEAM	LØFTESTAG	LØFTESTANG	ΔΟΚΟΣ ΑΝΥΨΩΣΗΣ	VIGA DE ELEVAÇÃO	NOSTOPALKKI
LIFTING DEVICE	LØFTEANORDNING	LØFTEANORDNING	ΑΝΥΨΩΤΙΚΗ ΔΙΑΤΑΞΗ	DISPOSITIVO DE ELEVAÇÃO	NOSTOLAITE
LIFTING EYE	LØFTEØYE	LØFTEØIE	ΑΑΚΤΥΛΙΟΣ ΑΝΥΨΩΣΗΣ	OLHAL DE ELEVAÇÃO	NOSTOSILMUKKA
LIFTING FRAME	LØFTERAMME	LØFTERAMME	ΠΛΑΤΕΙΟ ΑΝΥΨΩΣΗΣ	QUADRO DE ELEVAÇÃO	NOSTOTELINE
LIFTING PLATE	LØFTEPLATE	LØFTEPLATE	ΑΝΥΨΩΤΙΚΗ ΠΛΑΚΑ	PLACA DE ELEVAÇÃO	NOSTOLEVY
LIFTING SUPPORT	LØFTEOPPHENG	LØFTEOPPHENG	ΥΠΟΘΗΡΙΓΜΑ ΑΝΥΨΩΣΗΣ	APOIO DE ELEVAÇÃO	NOSTOTUKI
LIFTING TOOL	LØFTEVERKTOJ	LØFTEVERKTOJ	ΕΡΓΑΛΕΙΟ ΑΝΥΨΩΣΗΣ	FERRAMENTA DE ELEVAÇÃO	NOSTOLAITE
LIFTING YOKE	LØFTEÅK	LØFTEÅG	ΑΝΥΨΩΤΙΚΟΣ ΖΥΓΟΣ	BARRA DE ELEVAÇÃO	NOSTOIES
LIGHT	LAMPE	LAMPE	ΦΩΣ	LUZ	VALO
LIGHT AND HORN	LAMPE OG HORN	LYS OG HORN	ΦΑΡΟΣ ΚΑΙ ΚΟΡΝΑ	LUZES E BUZINA	VALO JA ÄÄNIMERKKI
LIGHT REFLECTOR	LAMPREFLEKTOR	LYSREFLEKTOR	ΑΝΑΚΛΑΣΤΗΡΑΣ ΦΑΡΟΥ	REFLECTOR LUMINOSO	LAMPUN HEIJASTIN
LIGHT TOWER	LAMPMAST	LYSMAST	ΦΑΡΟΣ	TORRE DE ILUMINAÇÃO	VALOMASTO
LIMIT SWITCH	GRÆNSEBRYTER	GRÆNSEKONTAKT	ΠΕΡΙΟΡΙΣΤΙΚΟΣ ΔΙΑΚΟΠΤΗΣ	INTERRUPTOR LIMITADOR	RAJAKYTKIN
LINE CONTACTOR	TILKOPLING TIL STRØMNETTET	NETKONTAKTOR	ΕΠΙΦΕΑΣ ΓΡΑΜΜΗΣ	CONTACTOR DE LINHA	VERKKOLIITIN
LINER	FORING	INDSATS FORING	ΠΕΡΙΒΛΗΜΑ, ΕΠΕΝΔΥΣΗ	FORRO	SISÄKAPPALE
LINK	LEDD	(KÆDE-)LED	ΣΥΝΔΕΣΜΟΣ	UNIÃO	NIVEL
LINK PIN	LEDDPINNE	KÆDEBOLT	ΣΥΝΔΕΤΙΚΟΣ ΠΙΠΕΡΟΣ	PINO DE ARTICULADAÇÃO	NIVELPULTTI
LINK ROD	LEDDSTANG	PLEILSTANG	ΣΥΝΔΕΤΙΚΗ ΡΑΒΔΟΣ	BIELA ARTICULADA	YHDYSTANKKO
LIP SEAL	LEPPETETNING	LUKKEFLADEPAKNING	ΣΤΕΓΑΝΩΣΗ ΧΕΙΛΟΥΣ	SELO DE VIROLA	KIELITIIVISTE
LIQUID DRYER	VÆSKETØRKER	VÆSKETØRRER	ΕΡΠΑΝΤΗΡΑΣ ΥΓΡΟΥ	SECADOR DE LÍQUIDO	SIKKATIIVI
LIQUID RECEIVER	VÆSKEBEHOLDER	VÆSKEBEHOLDER	ΣΥΛΛΕΚΤΗΣ ΥΓΡΟΥ	VASO DE LÍQUIDO	NESTESÄILIÖ
LOAD CENTER	TYNGDEPUNKT	TYNGDEPUNKT	ΚΕΝΤΡΟ ΒΑΡΟΥΣ	CENTRO DE CARGA	KUORMAN PAINOPISTE
LOADING VALVE	PÅLASTINGSVENTIL	BELASTINGSVENTIL	ΒΑΛΒΙΔΑ ΦΟΡΤΙΣΗΣ	VÁLVULA DE CARGA	KUORMITUSVENTILI
LOCATING RING	STYRERING	LÅSERING	ΑΑΚΤΥΛΙΟΣ ΘΕΣΗΣ	ANEL DE INSTALAÇÃO	KOHDISTUSRENGAS
LOCK	LÅS	LÅS	ΚΛΕΙΔΙΑΡΙΑ	APERTO / FIXAÇÃO	LUKKO
LOCK DEVICE	LÅSEANORDNING	LÅSEANORDNING	ΣΥΣΤΗΜΑ ΑΣΦΑΛΕΣΗΣ	DISPOSITIVO DE APERTO	LUKITUSLAITE
LOCK HOOK	LÅSEKROK	LÅSEKROG	ΑΓΚΙΣΤΡΟ ΑΣΦΑΛΕΣΗΣ	GANCHO DE APERTO	LUKITUSKOUKKU
LOCK NUT	LÅSEMUTTER	LÅSEMØTRIK	ΑΣΦΑΛΕΣΤΙΚΟ ΠΕΡΙΚΟΧΛΙΟ	CONTRAPORCA	LUKKOMUTTERI
LOCK PIN	LÅSEBOLT	LÅSESTIFT	ΠΕΡΟΝ Η ΑΣΦΑΛΕΙΑΣ	PINO DE TRAVAMENTO	LUKKOTAPPI
LOCK RING	LÅSERING	LÅSERING	ΑΑΚΤΥΛΙΟΣ ΑΣΦΑΛΕΙΑΣ	ANEL DE APERTO	LUKKORENGAS
LOCK SPRING	LÅSEFJÆR	LÅSEFJEDER	ΕΛΑΤΗΡΙΟ ΑΣΦΑΛΕΙΑΣ	MOLA DE APERTO	LUKITUSJOUSSI
LOCK WASHER	LÅSESKIVE	SPÆNDESKIVE TIL LÅS	ΡΟΔΕΛΛΑ ΑΣΦΑΛΕΙΑΣ	ANILHA DE PRESSÃO	LUKKOLAATTA
LOCK WIRE	LÅSETRÅD	LÅSETRÅD	ΣΥΡΜΑ ΑΣΦΑΛΕΙΑΣ	ARAME DE FIXAÇÃO	LUKITUSLANKKA
LOCKING BAR	LÅSESTANG	LÅSESTANG	ΑΣΦΑΛΕΣΤΙΚΗ ΜΗΠΑ	BARRA DE TRAVAMENTO	LUKITUSTANKKO
LOCKING CLAMP	LÅSEKLEMME	LÅSEKLEMME	ΑΣΦΑΛΕΣΤΙΚΟΣ ΣΦΙΚΤΗΡΑΣ	GRAMPO DE TRAVAMENTO	LUKITUSPINNE
LOCKING CLIP	LÅSEKLEMME	LÅSEKLEMME	ΑΣΦΑΛΕΣΤΙΚΗ ΑΒΒΙΑ	PINÇA DE TRAVAMENTO	LUKITUSPINNE
LOCKING PLATE	LÅSEPLATE	LÅSEPLATE	ΑΣΦΑΛΕΣΤΙΚΗ ΠΛΑΚΑ	PLACA DE TRAVAMENTO	LUKITUSLEVY
LOCKING ROD	LÅSESTANG	LÅSESTANG	ΑΣΦΑΛΕΣΤΙΚΗ ΡΑΒΔΟΣ	BIELA DE TRAVAMENTO	LUKITUSTANKKO
LOUVER	GITTER	SPJELD	ΑΠΕΡΘΥΡΙΑ	ABERTURA PARA VENTILAÇÃO	SÄLEIKKÖ
LOW VOLTAGE PROTECTION	UNDERSPENNINGSVERN	UNDERSPÆNDINGSBESKYTTELSE	ΠΡΟΣΤΑΣΙΑ ΧΑΜΗΛΗΣ ΤΑΣΗΣ	PROTECÇÃO DE TENSÃO BAIXA	PIENJÄNNITUSUOJUS
LOWER	NEDRE	NEDRE DEL	ΚΑΤΩ	INFERIOR	ALEMPI

ENGLISH	NEDERLANDS	FRANCAIS	DEUTSCH	ESPAÑOL	SVENSKA	ITALIANO
LUBRICATING NIPPLE	SMEERNIPPEL	GRAISSEUR	SCHMIERNIPPEL	BOQUILLA DE LUBRICACIÓN	SMÖRNIPPEL	INGRASSATORE
LUBRICATING OIL	SMEEROLIE	HUILE DE LUBRIFICATION	SCHMIERÖL	ACEITE LUBRICANTE	SMÖRJOLJA	OLIO LUBRIFICANTE
LUBRICATING RING	SMEERRING	ANNEAU DE GRAISSAGE	SCHMIERRING	ANILLO DE LUBRICACIÓN	SMÖRRING	ANELLO LUBRIFICANTE
LUBRICATOR	SMEERTOESTEL	LUBRIFICATEUR	SCHMIERAPPARAT	LUBRICADOR	SMÖRJAPPARAT	OLIATORE, INGRASSATORE
M						
MAGNETIC CATCH	MAGNEETPLAAT	PLAQUETTE MAGNETIQUE	MAGNETVERSCHLUSS	RETÉN MAGNÉTICO	MAGNETSPÄRR	FERMO MAGNETICO
MAGNETIC PICK-UP	MAGNEETOPNEMER	PRISE MAGNETIQUE	MAGNETISCHER AUFNEHMER	RECEPCIÓN MAGNÉTICA	MAGNETMÅTARE	FONORIVELATORE MAGNETICO
MAGNETIC SENSOR	MAGNEETSSENSOR	DETECTEUR MAGNETIQUE	MAGNETISCHER SENSOR	SENSOR MAGNÉTICO	MAGNETAVKÄNNARE	SENSORE MAGNETICO
MAIN FILTER ELEMENT	HOOFD-FILTERELEMANT	EL. FILTRAGE PRINCIPAL	HAUPTFILTERELEMANT	ELEMENTO DEL FILTRO PRINCIPAL	HUVUDFILTERELEMANT	ELEMENTO FILTRANTE PRINCIPALE
MAIN SUPPORT	HOOFD-STEUN	SUPPORT PRINCIPAL	HAUPTSTÜTZE	SOPORTE PRINCIPAL	HUVUDSTÖD	SUPPORTO PRINCIPALE
MAIN SWITCH	HOOFDSCHAKELAAR	INTERRUPTEUR PRINCIPAL	HAUPTSCHALTER	INTERRUPTOR PRINCIPAL	HUVUDSTRÖMBRYTARE	INTERRUPTORE PRINCIPALE
MALE	MANNELIJK	MALE	INNENTEIL	MACHO	HAN	MASCHIO
MALE ADAPTOR	MANN. AANSLUITING	RACCORD REDUCTEUR MALE	STECKBARER ADAPTER	ADAPTADOR MACHO	HANADAPTER	ADATTATORE MASCHIO
MALE CONNECTOR	MANN. VERBINDING	CONNECTEUR MALE	STECKER	CONNECTOR MACHO	HANKONTAKT	CONNECTORE MASCHIO
MALE ELBOW	MANN. KNEEVERBINDING	COUDE MALE	KNIESTÜCK	CODO MACHO	HANKRÖK	GOMITO MASCHIO
MALE FITTING	MANN. VERBINDING	RACCORD MALE	STECKVERBINDUNG	ACCESORIO MACHO	SKRUVGÅNGA	ACCESORIO MASCHIO
MALE ROTOR	MANN. ROTOR	ROTOR MALE	HAUPTLÄUFER	ROTOR MACHO	SKRUVROTOR	ROTORE MASCHIO
MANIFOLD	COLLECTOR	COLLECTEUR	SAMMELROHR	COLLECTOR	GRENRÖR	COLLETTORE
MANIFOLD BOX	VERDELER	BOITE DE COLLECTEUR	KÜMMER	CAJA DISTRIBUIDORA	FÖRGRENINGSDOSA	SCATOLA DEL COLLETTORE
MANOMETER	MANOMETER	MANOMETRE	MANOMETER	MANÓMETRO	MANOMETER	MANOMETRO
MAP	MAP	CARTE	KARTE	PLANO	KARTA	CARTA
MARKING	PICTOGRAM	PICTOGRAMME	MARKIERUNG	SEÑALES DE INFORMACIÓN	MÄRKNING	CONTRASSEGNO
MARKING TAG	ETIKET	ETIQUETTE	ETIKETTE	ETIQUETA	SKYLT	ETICHETTA DI MARCHIATURA
MAT	MAT	TAPIS	MATTE	PLACA	MATTA	TAPPETINO
MEMBRANE	MEMBRAAN	MEMBRANE	MEMBRAN	MEMBRANA	MEMBRAN	MEMBRANA
MEMBRANE COVER	MEMBRAAN DEKSEL	COUVERCLE DE MEMBRANE	MEMBRANABDECKUNG	CUBIERTA DE LA MEMBRANA	MEMBRANHUV	COPERCHIO DELLA MEMBRANA
MID PANEL	MIDDENPANEEL	PANNEAU CENTRAL	MITTEL PANEEL	PANEL CENTRAL	CENTRAL PANEL	PANNELLO CENTRALE
MINERAL WOOL	ROTSWOL	LAINÉ MINÉRALE	MINERALWOLLE	LANA MINERAL	MINERALULL	COTONE SILICATO
MINIMUM PRESS. VALVE	MINIMUMDRUKKLEP	SOUPAPE, PRESSION. MIN.	MINDESTDRUCKVENT.	VÁLV. PRESIÓN MÍN.	MINIMTRYCKVENTIL	VALVOLA DI PRESSIONE MINIMA
MIRROR	SPIEGEL	MIROIR	SPIEGEL	ESPEJO	SPEGEL	SPEGCHIO
MODULE	MODUUL	MODULE	MODUL	MÓDULO	MODUL	MODULO
MOISTURE TRAP	WATERAFSCHEIDER	SEPARATEUR D'EAU	WASSERABSCHIEDER	COLECTOR DE AGUA	VATTENAVSKILJARE	SEPARATORE DI UMIDITA'
MONITORING PLUG	CONTOLEPLUG	BOUCHON DE CONTOLE	KONTROLLSTÖPSEL	TAPÓN DE CONTROL	ÖVERVÄKNINGSPL.	TAPPO DI MONITORAGGIO
MOTOR	MOTOR	MOTEUR	MOTOR	MOTOR	MOTOR	MOTORE
MOTOR FLANGE	MOTORFLENS	BRIDE DE MOTEUR	MOTORFLANSCH	BRIDA DEL MOTOR	MOTORFLÄNS	FLANGIA DEL MOTORE
MOTOR PART	MOTORONDERDEEL	PIÈCE DE MOTEUR	MOTORTEIL	PIEZA DEL MOTOR	MOTORRESERVDEL	PARTE DEL MOTORE
MOTOR SUPPORT	MOTORSTEUN	SUPPORT DE MOTEUR	MOTORSTÜTZE	SOPORTE DEL MOTOR	MOTORSTÖD	SUPPORTO MOTORE
MOUNT	BEVESTIGING	SUPPORT	HALTERUNG	MONTURA	FÄSTE	PREDISPOSIZIONI DI MONTAGGIO
MOUNTING BAND	BEVESTIGINGSRIEM	BANDE DE FIXATION	BEFESTIGUNGSBAND	CINTA DE MONTAJE	FÄSTBAND	BANDA DI MONTAGGIO
MOUNTING PANEL	MONTEERPANEEL	PANNEAU DE FIXATION	MONTAGEPLATTE	PANEL DE FIJACIÓN	FÄSTPANEL	PANNELLO DI MONTAGGIO
MOUNTING PLATE	BEVESTIGINGSPLAAT	PLAQUE DE FIXATION	BEFESTIGUNGSPLATTE	PLACA DE MONTAJE	FÄSTPLÅT	PIASTRA DI MONTAGGIO
MOUNTING RAIL	BEVESTIGINGSLIJST	RAIL DE FIXATION	BEFEST.-SCHIENE	CARRIL DE FIJACIÓN	FÄSTE	ROTAIA DI MONTAGGIO
MOUNTING TOOL	BEVESTIGINGSGEREEDSCHAP	OUTIL DE FIXATION	MONTIERWERKZEUG	HERRAMIENTAS DE MONTAJE	FÄSTVERKTYG	UTENSILE DI MONTAGGIO
MUD FLAP	SPATLAP	GARDE-BOUE	SCHMUTZFÄNGER	ALETA DEL GUARDABARROS	STÄNKSKYDD	PARASPRUZZI
MUDGUARD	SPATBORD	GARDE-BOUE	KOTFLÜGEL	GUARDABARROS	STÄNKSKÄRM	PARAFANGO
MUFFLER	GELUIDDEMPER	SILENCIEUX	SCHALLDÄMPFER	SILENCIADOR	LJUDDÄMPARE	SILENZIATORE
N						
NAME PLATE	NAAMPLAAT	PLAQUE SIGNALÉTIQUE	TYPENSCHILD	PLACA DE CARACTERÍSTICAS	NAMNPLÅT	PIASTRA DI DENOMINAZIONE
NAME STRIP	NAAMPLAATJE	PLAQUE DE FIRME	FIRMENSCHILD	PLACA DE MARCA	NAMNPLÅT	TARGHETTA DI DENOMINAZIONE
NARROW V-BELT	SMALLE V-RIEM	COURROIE EN V ÉTROITE	SCHMALER KEILRIEMEN	CORREA TRAPEZOIDAL ESTRECHA	SMAL KILREM	CINTURA A V STRETTA
NEEDLE	NAALD	POINTEAU, AIGUILLE	NADEL	AGUJA	NÅL	SPILLO
NEEDLE VALVE	NAALDKLEP	SOUAPE POINTEAU	NADELVENTIL	VÁLVULA DE AGUJA	NÅLVENTIL	VALVOLA A SPILLO
NIPPLE	NIPPEL	RACCORD, DOUILLE	NIPPEL	NIPLE	NIPPEL	RACCORDO FILETTATO
NON-RETURN VALVE	TERUGSLAGKLEP	CLAPET ANTI-RETOUR	RÜCKSCHLAGVENTIL	VÁLVULA DE RETENCIÓN	BACKVENTIL	VALVOLA DI NON-RITORNO
NORMAL	NORMAAL	NORMAL	NORMAL	NORMAL	NORMAL	NORMALE
NOT USED	NIET GEBRUIKT	NON UTILISE	NICHT GEBRAUCHT	NO USADO	ANVÄNDS EJ	NON IMPIEGATO
NOZZLE	SPUITSTUK	GICLEUR	DÜSE	BOQUILLA	MUNSTYCKE	UGELLO
NOZZLE ELEMENT	ELEMENT SPUITSTUK	ELEMENT GICLEUR	DÜSENELEMENT	ELEMENTO DE LA TOBERA	ELEMENT MUNSTYCKE	ELEMENTO DELL'UGELLO
NUT	MOER	ECROU	MUTTER	TUERCA	MUTTER	DADO
NUT SEAL	AFDICHTING MOER	JOINT D'ECROU	MUTTERABDICHTUNG	SELLO DE TUERCA	MUTTERPÅKNING	TENUTA DEL DADO
NYLON BAND	NYLON RIEM	BANDE EN NYLON	NYLON RIEM	CINTA DE NILÓN	NYLONBAND	INDICATORE DI LIVELLO DELL'OLIO
NYLON TUBE	NYLON BUIS	TUYAU EN NYLON	NYLONROHR	TUBO DE NILÓN	NYLONRÖR	TUBO IN NAILON
O						
O-RING	O-RING	JOINT TORIQUE	O-RING	JUNTA TÓRICA	O-RING	ANELLO O
OIL	OLIE	HUILE	HUILE	ACEITE	OLJA	OLIO
OIL BARREL	OLIEVAT	TONNEAU D'HUILE	ÖLFASS	TUBO DE ACEITE	OLJEFAT	BARILE DI OLIO
OIL CAN	OLIEKAN	BIDON	ÖLKANNE	LATA DE ACEITE	OLJEKANNA	LATTINA DI OLIO
OIL COLLECTOR	OLIEBAK	COLLECTEUR D'HUILE	ÖLBÄHÄLTER	COLECTOR DE ACEITE	OLJESAMLINGSRÖR	COLLETTORE DELL'OLIO
OIL COOLER	OLIEKOELER	REFROIDISSEUR D'HUILE	ÖLKÜHLER	REFRIG. DE ACEITE	OLJEKYLARE	REFRIGERATORE DELL'OLIO
OIL COOLER PLATE	OLIEKOELER	PLAQUE DE REFR. D'HUILE	ÖLKÜHLERPLATTE	PLACA REFRIGERANTE DEL ACEITE	OLJEKYLARPLÅT	HASTRADIRAFREDDAMENTO DELL'OLIO
OIL CUP	OLIEVANGER	GODET D'HUILE	ÖLSCHALE	CUBA DE ACEITE	OLJEFÄNGARE	OLIATORE A TAZZA
OIL DIPSTICK	OLIEPELSTOK	JAUGE A HUILE	ÖLMESSSTAB	VARILLA DE NIVEL	OLJESTICKA	ASTA DI LIVELLO DELL'OLIO
OIL DRAIN	OLIE-AFTAP	VIDANGE, DRAINAGE	ÖLABLASS	DRENAJE DEL ACEITE	OLJEAVTAPNING	SCARICO DELL'OLIO
OIL DRAIN HOSE	OLIE-AFTAPSLANG	TUYAU DE VIDANGE	ÖLABLASSSCHLAUCH	TUBO DE DRENAJE DEL ACEITE	OLJEAVTAPNINGSSLANG	TUBO FLESSIBILE DI SCARICO DELL'OLIO
OIL DRAIN PIPE	OLIEAFTAPLEIDING	TUYAU DE VIDANGE	ÖLABLASSROHR	TUBO DE DRENAJE DE ACEITE	OLJEAVTAPNINGSRÖR	TUBO DI SCARICO DELL'OLIO
OIL FILTER	OLIEFILTER	FILTRE A HUILE	ÖLFILTER	FILTRO DE ACEITE	OLJEFILTER	FILTRO DELL'OLIO
OIL FILTER ELEMENT	OLIEFILTERELEMANT	ELEMENT DE FILTRE A HUILE	ÖLFILTERELEMANT	ELEMENTO DEL FILTRO DE ACEITE	OLJEFILTERELEMANT	ELEMENTO DEL FILTRO DELL'OLIO
OIL LEVEL GAUGE	OLIEPEILMETER	JAUGE DE NIVEAU	ÖLSTANDANZEIGER	INDICADOR DE NIVEL	OLJENIVÅMÅTARE	INDICATORE DI LIVELLO DELL'OLIO
OIL MANIFOLD	OLIEVERDEELSTUK	COLLECTEUR A HUILE	ÖLVERTEILER	DISTRIBUIDOR DEL ACEITE	OLJEGRENRÖR	COLLETTORE DELL'OLIO
OIL NOZZLE	OLIESPUITSTUK	GICLEUR D'HUILE	ÖLDÜSE	TOBERA DEL ACEITE	OLJEMUNSTYCKE	UGELLO DELL'OLIO
OIL PIPE	OLIELEIDING	CONDUITE D'HUILE	ÖLROHR	TUBERÍA DEL ACEITE	OLJERÖR	TUBO DELL'OLIO
OIL PRESSURE GAUGE	OLIEDRUKMETER	MANOMETRE PRESSION HUILE	ÖLDRUCKMESSER	ÍNDICE DE PRESIÓN DEL ACEITE	OLJETRYCKMÅTARE	MANOMETRO DELL'OLIO
OIL PRESSURE SENSOR	SENSOR OLIEDRUK	DETECTEUR PRESSION HUILE	ÖLDRUCKSENSOR	SENSOR DE PRESIÓN DEL ACEITE	OLJETRYCKAVKÄNNARE	SENSORE PER LA PRESSIONE DELL'OLIO
OIL PRESSURE SWITCH	OLIEDRUKSCHAKELAAR	INTERR. PRESSION HUILE	ÖLDRUCKSCHALTER	INTERR. DE PRESIÓN DEL ACEITE	OLJETRYCKBRYTARE	PRESSOSTATO DELL'OLIO
OIL PUMP	OLIEPOMP	POMPE A HUILE	ÖLPUMPE	BOMBA DE ACEITE	OLJEPUMP	POMPA DELL'OLIO
OIL PUMP HOUSING	BEHUIZING OLIEPOMP	CORPS POMPE A HUILE	ÖLPUMPENGEHÄUSE	CARCAZA DEL AROMBADEL ACEITE	OLJEPUMPHUS	ALLOGG DELLA POMPA DELL'OLIO
OIL RESTRICT. VALVE	OLIEDOSEERKLEP	DOSEUR D'HUILE	ÖLDROSSELVENTIL	VÁLV. DOSIFIC. ACEITE	OLJESTRYPPVENTIL	VALVOLA LIMITATRICE DELL'OLIO
OIL SEAL	AFDICHTING	JOINT	ÖLDICHTUNG	OBTURADOR DE ACEITE	TÄTNING	PARAOILIO
OIL SEPARATOR	OLIEAFSCHEIDER	SEPARATEUR D'HUILE	ÖLABSCHEIDER	SEPARADOR ACEITE	OLJEAVSKILJARE	SEPARATORE DELL'OLIO
OIL STOP VALVE	OLIEAFSLUITKLEP	CLAPET D'ARRÊT	ÖLABSPERRVENTIL	VÁLV. CIERRE ACEITE	OLJESTOPPVENTIL	VALVOLA DI ARRESTO DELL'OLIO
OIL STRAINER	OLIEZEEF	CREPINE A HUILE	ÖLSIEB	FILTRO DE ACEITE	OLJESIL	FILTRO DELL'OLIO A RETICELLA
OIL SUMP	OLIEPAN	CARTER D'HUILE	ÖLSUMPF	COLECTOR DE ACEITE	OLJESUMP	COPPA DELL'OLIO
OIL TANK	OLJETANK	RESERVOIR D'HUILE	ÖLBÄHÄLTER	DEPÓSITO DE ACEITE	OLJETANK	SERBATOIO DELL'OLIO
OIL VESSEL	OLIEVAT	RECIPIENT D'HUILE	ÖLBÄHÄLTER	RECIPIENTE DEL ACEITE	OLJEBEHÅLLARE	SERBATOIO DELL'OLIO
OIL FILLER NECK	OLIEVULHALS	TUBULURE DE REMP D'HUILE	ÖLEINFÜLLSTUTZEN	EMBUDO LLENADO DE ACEITE	OLJEPÅFYLLNINGSHALS	COLLO DEL TUBO DI RIEMP. DELL'OLIO
ON-OFF SWITCH	AAN/UIT SCHAKELAAR	COMMUTATEUR MARCHE-ARRÊT	EIN/AUS-SCHALTER	INTERR. DE APAGADO ENCENDIDO	TILL/FRÅNBRYTARE	INTERRUPTORE ON-OFF

ENGLISH	NORSK	DANSK	ΕΛΛΗΝΙΚΑ	PORTUGUÊS	SUOMI
LUBRICATING NIPPLE	SMØRENIPPEL	SMØRENIPPEL	ΜΑΣΤΟΣ ΑΠΙΑΝΣΗΣ	COPO DE LUBRIFICAÇÃO	VOITELUNIPPA
LUBRICATING OIL	SMØREOLJE	SMØREOLJE	ΕΛΑΙΟ ΑΠΙΑΝΣΗΣ	ÓLEO DE LUBRIFICAÇÃO	VOITELUÖLJY
LUBRICATING RING	SMØRERING	SMØRERING	ΑΑΚΤΥΛΙΟΣ ΑΠΙΑΝΣΗΣ	ANEL DE LUBRIFICAÇÃO	VOITELURENGAS
LUBRICATOR	SMØRER	SMØREAPPARAT	ΑΠΙΑΝΤΗΡΑΣ	LUBRIFICADOR	VOITELULAITE
M					
MAGNETIC CATCH	MAGNETFESTE	MAGNETISK KROG	ΜΑΓΝΗΤΙΚΗ ΑΡΙΑΓΗ	COLECTOR MAGNÉTICO	MAGNEETTISALPA
MAGNETIC PICK-UP	MAGNETISK OPPTAK	MAGNETISK PICKUP	ΜΑΓΝΗΤΙΚΟΣ ΑΝΥΨΩΤΗΣ	CAPTADOR SONORO MAGNÉTICO	MAGNEETTIANIURI
MAGNETIC SENSOR	MAGNETISK SENSOR	MAGNETISK SENSOR	ΜΑΓΝΗΤΙΚΟΣ ΔΙΣΘΗΤΗΣ	SENSOR MAGNÉTICO	MAGNEETTIANIURI
MAIN FILTER ELEMENT	HOVEDFILTERELEMENT	HOVEDFILTERELEMENT	ΚΕΝΤΡΙΚΟ ΣΤΟΙΧΕΙΟ ΦΙΛΤΡΟΥ	ELEMENTO DO FILTRO PRINCIPAL	PÄÄSUODATTIMEN PATRUUNA
MAIN SUPPORT	HOVEDSTØTTE	HOVEDSTØTTE	ΚΕΝΤΡΙΚΗ ΣΤΗΡΙΞΗ	APOIO PRINCIPAL	PÄÄTUKI
MAIN SWITCH	HOVEDBRYTER	HOVEDAFBRYDER	ΚΕΝΤΡΙΚΟΣ ΔΙΑΚΟΠΤΗΣ	INTERRUPTOR PRINCIPAL	PÄÄKYTKIN
MALE	HANN	HAN-	ΑΡΣΕΝΙΚΟ	MACHO	KOIRAS-
MALE ADAPTOR	ADAPTER MED UTVENDIGE GIENGER	HAN-ADAPTER	ΑΡΣΕΝΙΚΟΣ ΠΡΟΣΑΡΜΟΓΕΑΣ	ADAPTADOR MACHO	ULKOSOVITIN
MALE CONNECTOR	KOPLING MED UTVENDIGE GIENGER	LIGEFORSKRUING	ΑΡΣΕΝΙΚΟΣ ΣΥΝΑΕΤΗΣ	CONNECTOR MACHO	PISTOKE
MALE ELBOW	BEND MED UTVENDIGE GIENGER	VINKELFORSKRUING	ΑΡΣΕΝΙΚΗ ΓΩΝΙΑ	UNIÃO EM COTOVELO PRINCIPAL	ULKOKIERTENEN KULMALITIN
MALE FITTING	RØRDEL MED UTVENDIGE GIENGER	HUN-FITTING	ΑΡΣΕΝΙΚΟ ΕΞΑΡΤΗΜΑ	ACESSÓRIO MACHO	ULKOKIERTENEN LIITIN
MALE ROTOR	SKRUEOTOR	HANROTOR	ΑΡΣΕΝΙΚΟ ΣΤΡΩΦΕΙΟ	ROTOR MACHO	RUUVIROOTTORI
MANIFOLD	MANIFOLD	GRØNØR/MANIFOLD	ΠΟΛΛΑΠΛΗ	TUBAGEM	KOKOOMAPUTKI
MANIFOLD BOX	MANIFOLD BOKS	FORGRØNINGSBOKS	ΚΙΒΩΤΙΟ ΠΟΛΛΑΠΛΗΣ	CAIXA DAS TUBAGENS	JAKOPUTKISTO
MANOMETER	MANOMETER	MANOMETER	ΜΑΝΟΜΕΤΡΟ	MANÓMETRO	PAINEMITTARI
MAP	KART	KØRT	ΑΠΟΤΥΠΩΣΗ	PLANTA	KARTTA
MARKING	MERKING	AFMÆRKNING	ΔΙΑΚΡΙΤΙΚΟ	MARCAÇÃO	KUVAMERKKI
MARKING TAG	MERKEPLATE	SKILT	ΔΙΑΚΡΙΤΙΚΗ ΤΑΜΠΕΛΑ	ETIQUETA DE MARCAÇÃO	MERKKIKILPI
MAT	MATTE	MÁTTE	ΕΠΙΝΑΨΗ	MATERIAL	MATTO
MEMBRANE	MEMBRAN	MEMBRAN	ΜΕΜΒΡΑΝΗ	MEMBRANA	KALVO
MEMBRANE COVER	MEMBRANLOKK	MEMBRANLÅG	ΚΑΛΥΜΜΑ ΜΕΜΒΡΑΝΗΣ	COBERTURA DA MEMBRANA	KALVON KANSI
MID PANEL	MIDTPANEL	MIDTERPANEL	ΜΕΣΑΙΟ ΚΑΛΥΜΜΑ	PAINEL INTERMÉDIO	KESKIPANEELI
MINERAL WOOL	MINERALULL	MINERALULD	ΟΡΥΚΤΟΣ ΒΑΜΒΑΚΑΣ	LÁ MINERAL	MINERAALIVILLA
MINIMUM PRESS. VALVE	VENTIL FOR MIN.TRYKK	MINIMUMSTRYKVENTIL	ΒΑΛΒΙΔΑ ΕΛΑΧΙΣΤΗΣ ΠΙΕΣΗΣ	VÁLVULA DE PRESSÃO MÍNIMA	ALAPAINEMITTARI
MIRROR	SPEIL	SPEIL	ΚΑΘΡΕΠΤΗΣ	ESPELHO	PEILI
MODULE	MODUL	MODUL	ΜΟΝΑΔΑ ΣΥΣΤΗΜΑ	MÓDULO	MODUULI
MOISTURE TRAP	PENGEHOLDER	VANDLÅS	ΥΔΑΤΟΠΑΓΙΑ	COLECTOR DE HUMIDADE	VEDENEROTIN
MONITORING PLUG	OVERVÅKINGSPLUGG	OVERVÅGNINGSKONTAKT	ΠΩΜΑ ΕΛΕΓΧΟΥ	FICHA DE ENSAIO	TARKASTUSAUKON TULPPA
MOTOR	MOTOR	MOTOR	ΚΙΝΗΤΗΣΑΣ, ΗΛΕΚΤΡΟΚΙΝΗΤΗΣΑΣ	MOTOR	MOOTTORI
MOTOR FLANGE	MOTORFLENS	MOTORFLANGE	ΦΑΝΤΖΑ ΚΙΝΗΤΗΣΑΣ	FLANGE DO MOTOR	MOOTTORIN LAIPPA
MOTOR PART	MOTORDEL	MOTORRESERVEDEL/KOMPONENT	ΕΞΑΡΤΗΜΑ ΚΙΝΗΤΗΣΑΣ	PEÇA DE MOTOR	MOOTTORIN OSA
MOTOR SUPPORT	MOTORSTØTTE	MOTORSTØTTE	ΒΑΣΗ ΚΙΝΗΤΗΣΑΣ	APOIO DO MOTOR	MOOTTORIN TUKI
MOUNT	FESTE	STATIV	ΒΑΣΗ	INSTALAÇÃO	ALUSTA
MOUNTING BAND	FESTEBÅND	MONTAGEBÅND	ΤΑΙΝΙΑ ΤΟΠΟΘΕΤΗΣΗΣ	FAIXA DE MONTAGEM	KIINNTYSSIDE
MOUNTING PANEL	FESTEPANEL	MONTERINGSANEL	ΦΥΛΑΞΤΗΡΙΟ	PAINEL DE MONTAGEM	KIINNTYSPANEELI
MOUNTING PLATE	FESTEPLATE	MONTAGEPLADE	ΠΛΑΚΑ ΣΤΗΡΙΞΗΣ	PLACA DE MONTAGEM	KIINNTYSLÉVY
MOUNTING RAIL	FESTESKINNE	MONTERINGSKINNE	ΡΑΓΔΑΣΤΗΡΙΟ	CARRIL DE MONTAGEM	KIINNTYSKISKO
MOUNTING TOOL	FESTEVERKTØY	MONTAGEVÆRKTØY	ΕΡΓΑΛΕΙΟ ΤΟΠΟΘΕΤΗΣΗΣ	FERRAMENTA DE MONTAGEM	KIINNTYSTYÖKALU
MUD FLAP	SKVETTLAPP	STÆNKLAP	ΛΑΣΠΩΤΗΣΑΣ	ANTEPARO PARA A LAMA	ROISKELÄPPÄ
MUDGUARD	SKVETTLAPP	STÆNSKÆRM	ΛΑΣΠΩΤΗΣΑΣ	GUARDALAMAS	ROISKESUOJA
MUFFLER	LYDDEMPER	LYDDÆMPER	ΣΙΓΑΣΤΗΣΑΣ	SILENCIADOR	ÄÄNENVAIMENNIN
N					
NAME PLATE	NAVNEPLATE	NAVNEPLADE	ΠΙΝΑΚΙΔΑ ΟΝΟΜΑΣΙΑΣ	PLACA DE IDENTIFICAÇÃO	NIMIKILPI
NAME STRIP	NAVNESKILT	NAVNEBÅND	ΤΑΙΝΙΑ ΟΝΟΜΑΣΙΑΣ	BARRA DE IDENTIFICAÇÃO	NIMILAATTA
NARROW V-BELT	SMAL KILEREM	SMAL KILEREM	ΣΤΕΝΟ ΞΙΜΑΝΤΑΣ V	CORREIADETRANSMISSÃOEMVÊSTRITA	KAPEA KILAHIHNA
NEEDLE	NÅL	NÅL	ΒΕΛΟΝΑ	AGULHA	NEULA
NEEDLE VALVE	NÅLVENTIL	NÅLVENTIL	ΒΕΛΟΝΟΕΙΔΗΣ ΒΑΛΒΙΔΑ	VÁLVULA DE AGULHA (INJEÇÃO)	NEULAVENTTIILI
NIPPLE	NIPPEL	NIPPEL	ΜΑΣΤΟΣ, ΣΤΟΜΙΟ	BOCAL	NIPPA
NON-RETURN VALVE	TILBAKESUGINGSBESKYTTER	KONTRAVENTIL	ΑΝΤΙΠΕΣΤΡΟΦΗ ΒΑΛΒΙΔΑ	VÁLVULA ANTI RETORNO	TAKAISKIVENTTIILI
NORMAL	NORMAL	NORMAL	ΦΥΣΙΟΓΟΙΚΟ	NORMAL	NORMAALI
NOT USED	BRUKES IKKE	ANVENDES IKKE	ΜΗ ΧΡΗΣΙΜΟΠΟΙΟΥΜΕΝΟ	NÃO UTILIZADO	EI KÄYTTÖSSÄ
NOZZLE	DYSE	MUNDSTYKKE/DYSE	ΑΚΡΟΦΥΣΙΟ	BOCAL	SUUTIN
NOZZLE ELEMENT	DYSEELEMENT	DYSELEMENT	ΣΤΟΙΧΕΙΟ ΑΚΡΟΦΥΣΙΟΥ	ELEMENTO DO BOCAL	SUUTINELEMENTTI
NUT	MUTTER	MØTRIK	ΠΕΡΙΚΟΧΑΙΟ, ΠΛΕΙΜΑΔΙ	PORCA	MUTTERI
NUT SEAL	MUTTERTÆTNING	MØTRIKTÆTNING	ΠΕΡΙΚΟΧΑΙΟ ΣΤΕΓΑΝΩΣΗΣ	PORCA DE VEDAÇÃO	MUTTERIN TIIVISTE
NYLON BAND	NYLONBÅND	NYLONBÅND	ΠΛΑΣΤΙΚΗ ΤΑΙΝΙΑ	FITA DE NYLON	NYLONHIHNA
NYLON TUBE	NYLONRØR	NYLONRØR	ΠΛΑΣΤΙΚΟΣ ΣΩΛΗΝΑΣ	TUBO DE NYLON	NYLONPUTKI
O					
O-RING	O-RING	O-RING	ΣΤΕΓΑΝΩΤΙΚΟΣ ΑΑΚΤΥΛΙΟΣ, ΑΑΚΤΥΛΙΟΣ Ο	JUNTA TÓRICA	O-RENGAS
OIL	OLJE	OLIE	ΕΛΑΙΟ	ÓLEO	ÖLJY
OIL BARREL	OLJEFAT	OLJETØNDE	ΚΥΛΙΝΔΡΟΣ ΕΛΑΙΟΥ	BARRIL DE ÓLEO	ÖLJYTYNRYRI
OIL CAN	OLJEKANNE	SMØREKANDE	ΕΛΑΙΟΔΟΧΕΙΟ	LATA DE ÓLEO	ÖLJYKANNU
OIL COLLECTOR	OLJESAMLINGSRØR	OLJESAMLINGSRØR	ΣΥΛΛΕΚΤΗΣ ΕΛΑΙΟΥ	COLECTOR DE ÓLEO	ÖLJYKERÄJÄ
OIL COOLER	OLJEKØLER	OLJEKØLER	ΨΥΚΤΗΣ ΕΛΑΙΟΥ	REFRIGERADOR DE ÓLEO	ÖLJYLAUDUTIN
OIL COOLER PLATE	OLJEKØLERPLATE	OLJEKØLERPLADE	ΠΛΑΚΑ ΨΥΚΤΗΣ ΕΛΑΙΟΥ	PLACA DO REFRIGERADOR DE ÓLEO	ÖLJYLAUHDUTINLEVY
OIL CUP	SMØREKOPP	SMØREKOP	ΕΛΑΙΟΔΟΧΕΙΟ	COPO DE LUBRIFICAÇÃO	ÖLJYKERUUASTIA
OIL DIPSTICK	PEILEPINNE	MÅLEPINN	ΡΑΒΔΟΣ ΕΜΒΑΠΤΗΣΕΩΣ ΕΛΑΙΟΥ	VARETA DE NÍVEL DE ÓLEO	ÖLJYNMITTATIKKU
OIL DRAIN	OLJEAVTAPNING	OLJEAVTAPNING	ΑΠΟΣΤΡΑΓΓΙΣΤΗΣ ΕΛΑΙΟΥ	PURGA DE ÓLEO	ÖLJYNPOISTO
OIL DRAIN HOSE	OLJEAVTAPNINGSSLANG	OLJEAVTAPNINGSSLANG	ΕΛΑΣΤΙΚΟΣ ΣΣΑΡΗΝΑΣ ΑΠΟΣΤΡΑΓΓΙΣΤΗΣ ΕΛΑΙΟΥ	MANGUEIRA DE PURGA DO ÓLEO	ÖLJYNPOISTOLETKU
OIL DRAIN PIPE	OLJEUTLØPSRØR	OLJEAVTAPNINGSRØR	ΑΓΩΓΟΣ ΑΠΟΣΤΡΑΓΓΙΣΤΗΣ ΕΛΑΙΟΥ	TUBO DE PURGA DE ÓLEO	ÖLJYNPOISTOPUTKI
OIL FILTER	OLJEFILTER	OLJEFILTER	ΦΙΛΤΡΟ ΕΛΑΙΟΥ	FILTRO DE ÓLEO	ÖLJYNSUODATIN
OIL FILTER ELEMENT	OLJEFILTERELEMENT	OLJEFILTERELEMENT	ΣΤΟΙΧΕΙΟ ΦΙΛΤΡΟ ΕΛΑΙΟΥ	ELEMENTO DE FILTRO DE ÓLEO	ÖLJYNSUODATTIMEN PATRUUNA
OIL LEVEL GAUGE	OLJEMÅLER	OLJEMÅLER	ΜΕΤΡΗΤΗΣ ΕΛΕΓΧΟΥ ΕΛΑΙΟΥ	INDICADOR DO NÍVEL DE ÓLEO	ÖLJYMITTARI
OIL MANIFOLD	OLJEMANIFOLD	OLJEMANIFOLD	ΠΟΛΛΑΠΛΗ ΕΛΑΙΟΥ	TUBAGENS DO ÓLEO	ÖLJYNJAKOPUTKI
OIL NOZZLE	OLJEDYSE	OLJEDYSE	ΑΚΡΟΦΥΣΙΟ ΕΛΑΙΟΥ	BOCAL DE ENCHIMENTO DE ÓLEO	ÖLJYSUUTIN
OIL PIPE	OLJERØR	OLJERØR	ΣΩΛΗΝΑΣ ΕΛΑΙΟΥ	TUBO DO ÓLEO	ÖLJYOHTO
OIL PRESSURE GAUGE	OLJETRYKKMÅLER	OLJETRYKMÅLER	ΜΕΤΡΗΤΗΣ ΕΛΕΓΧΟΥ ΠΙΕΣΗΣ ΕΛΑΙΟΥ	MANÓMETRO DE ÓLEO	ÖLJYNPAINEMITTARI
OIL PRESSURE SENSOR	OLJETRYKKSSENSOR	OLJETRYKKSSENSOR	ΔΙΣΘΗΤΗΣΑΣ ΠΙΕΣΗΣ ΕΛΑΙΟΥ	SENSOR DE PRESSÃO DO ÓLEO	ÖLJYNPAINEMITTARI
OIL PRESSURE SWITCH	OLJETRYKKBRYTER	OLJETRYKKBRYTER	ΔΙΑΚΟΠΤΗΣ ΠΙΕΣΗΣ ΕΛΑΙΟΥ	INTERRUPTOR DE PRESSÃO DO ÓLEO	ÖLJYNPAINKEYTKIN
OIL PUMP	OLJEPUMPE	OLJEPUMPE	ΑΝΤΑΙΑ ΕΛΑΙΟΥ	BOMBA DE ÓLEO	ÖLJYPUMPU
OIL PUMP HOUSING	OLJEPUMPEHUS	OLJEPUMPEHUS	ΚΕΛΥΦΟΣ ΑΝΤΑΙΑΣ ΕΛΑΙΟΥ	CARCAÇA DA BOMBA DE ÓLEO	ÖLJYPUMPUN KOTELO
OIL RESTRICT. VALVE	OLJESTRUPVENTIL	OLJETRYKSVENTIL	ΠΕΡΙΟΡΙΣΤΙΚΗ ΒΑΛΒΙΔΑ ΕΛΑΙΟΥ	VÁLVULA DE RESTRIÇÃO DE ÓLEO	ÖLJYNRAJOITUSVENTTIILI
OIL SEAL	OLJETÆTNING	OLJETÆTNING	ΣΤΕΓΑΝΩΣΗ ΕΛΑΙΟΥ	JUNTA DE VEDAÇÃO DE ÓLEO	ÖLJYTIIVISTE
OIL SEPARATOR	OLJESeparator	OLJESeparator	ΔΙΑΧΩΡΙΣΤΗΣΑΣ ΕΛΑΙΟΥ	SEPARADOR DE ÓLEO	ÖLJYNROTTIN
OIL STOP VALVE	OLJESTOPVENTIL	OLJESTOPVENTIL	ΒΑΛΒΙΔΑ ΑΝΑΚΟΠΗΣ ΕΛΑΙΟΥ	VÁLVULA RETENTORA DE ÓLEO	ÖLJYNSULKUVENTTIILI
OIL STRAINER	OLJEFILTER	OLJEFILTER/SI	ΑΠΟΣΤΡΑΓΓΙΣΤΗΣΑΣ ΕΛΑΙΟΥ	ESTRANGULADOR DE ÓLEO	ÖLJYSIVILÄ
OIL SUMP	BUNNPANNE	OLJETANK	ΕΛΑΙΟΕΚΑΝΗ, ΕΚΑΝΗ ΛΑΙΟ	CARTER DE ÓLEO	ÖLJYPOHJA
OIL TANK	OLJETANK	OLJETANK	ΔΕΞΑΜΕΝΗ ΕΛΑΙΟΥ	TANQUE DE ÓLEO	ÖLJYSÄILÖ
OIL VESSEL	OLJEBEHOLDER	OLJEBEHOLDER	ΕΛΑΙΟΕΚΑΝΗ, ΕΚΑΝΗ ΛΑΙΟ	RESERVATÓRIO DE ÓLEO	ÖLJYASTIA
OIL FILLER NECK	OLJEPÄFYLLINGSSTUSS	OLJEPÄFYLLNINGSHALS	ΛΑΙΜΟΣ ΠΛΗΡΩΣΗΣ ΕΛΑΙΟΥ	BOCAL DE ENCHIMENTO DE ÓLEO	ÖLJYNTÄYTTÖAUUKKO
ON-OFF SWITCH	PÅ-ÅV BRYTER	TÆND-SLUK KONTAKT	ΔΙΑΚΟΠΤΗΣ ΑΙΤΙΟΥΡΓΙΑΣ	INTERRUPTOR DE LIGAR/DESLIGAR	ON-EI-KYTKIN

ENGLISH	NEDERLANDS	FRANCAIS	DEUTSCH	ESPAÑOL	SVENSKA	ITALIANO
OPERAT. VALVE	BEDIENINGSKLEP	SOUPAPE DE COMMANDE	BETÄTIGUNGSVENTIL	VÁLV. DE OPERACIÓN	MANÖVERVENTIL	VALVOLA DI FUNZIONAMENTO
ORIFICE	OPENING	ORIFICE	AUSFLUSSÖFFNUNG	ORIFICIO	MYNNING	ORIFIZIO
OUTER CASING	HUIS	CARTER EXTERIEUR	MANTEL	CARCASA EXTERIOR	YTTRE HUS	CORPO ESTERNO
OUTER FLANGE	FLENS	BRIDE EXTERIEURE	AUSSENFLANSCH	BRIDA EXTERIOR	YTTRE FLÅNS	FLANGIA ESTERNA
OUTLET	UITLAAT	SORTIE	AUSLASS	SALIDA	UTLOPP	USCITA
OUTLET CAP	UITLAATHUIS	CHAMBRE REFOULEMENT	AUSLASSKAPPE	TAPÓN DE SALIDA	UTLOPPSKÅPA	COPERCHIO DI USCITA
OUTLET DUCT	UITLAATPIJP	TUYAU REFOULEMENT	AUSLASSLEITUNG	CONDUCTO DE SALIDA	UTLOPPSKANAL	CONDOTTO DI USCITA
OUTLET MANIFOLD	UITLAATCOLLECTOR	COLLECTEUR REFOULEMENT	AUSLASSKRÜMMER	COLECTOR DE SALIDA	UTLOPPSGRENÖR	COLLETTORE DI USCITA
OUTLET PIPE	UITLAATPIJP	TUYAU REFOULEMENT	AUSLASSROHR	TUBERÍA DE SALIDA	UTLOPPSRÖR	TUBO DI USCITA
OUTLET SOCKET	STOPCONTACT	DOUILLE DE SORTIE	STECKDOSE	ENCHUFE HEMBRA DE SALIDA	UTLOPPSHYLSA	PRESA DI USCITA
OUTPUT TERMINAL	UITGANGSKLEMMENBORD	BORNE SORTIE	AUSGANGSANSCHLUSS	TERMINAL DE SALIDA	UTGÅNGSKLÄMMA	TERMINALE DI USCITA
OVERCURRENT RELAY	OVERSTROOMRELAIS	RELAIS DE SURINTENSITE	ÜBERSTROMRELAIS	RELÉ PARA SOBRETENSIÓN	ÖVERSTRÖMSRELÄ	RELÈ DI SOVRACCORRENTE
OVERFLOW VALVE	OVERLOOPKLEP	SOUPAPE, TROP-PLEIN	ÜBERLAUFVENTIL	VÁLV. DE REBOSE	ÖVERSTR.-VENTIL	VALVOLA DI TROPPOPIENO
OVERHAUL KIT	REVISIESET	TROUSSE DE REVISION	ÜBERHOLUNGSSATZ	KIT DE REVISIÓN	RENOVERINGSATS	KIT DI REVISIONE
OVERLOAD PROTECTION	OVERSTROOM BEVEILIGING	DISJONCTEUR THERMIQUE	ÜBERSTROMSCHUTZ	PROTECCIÓN DE SOBRECARGA	ÖVERSTRÖMSSKYDD	PROTEZIONE DI SOVRACCARICO
OVERLOAD RELAY	OVERSTROOM RELAIS	RELAIS DE SURCHARGE	ÜBERSTROMRELAIS	RELÉ DE SOBRECARGA	ÖVERSTRÖMRELÄ	RELÈ DI SOVRACCARICO
OVERRUN BRAKE	OPLOOPREM	FREIN A INERTIE	AUFLAUFBREMS	FRENO DE SOBREVEL.	PÅSKJUTSBROMS	FRENO AD INERZIA
OVERSPEED DEVICE	TOERENTALBEVEILIGING	DISPOSITIF DE SURCHARGE	ÜBERDREHZAHLEGERÄT	DISP. PARA EXCESO DE VELOCIDAD	RUSNINGSSKYDD	DISPOSITIVO DI CENTRIFUGAZIONE

P

PACKING	PAKKING	JOINT	DICHTUNG	JUNTA	PACKNING	GUARNIZIONE
PAD	KUSSENTJE	TAMPON	KISSEN	ALMOHADILLA	MELLANLÄGG	TAMPONE
PADLOCK HOOK	HANGSLOTHAAK	CADENAS	SCHLOSSHAKEN	GANCHO DE CANDADO	HÄNGLÅSÅSTE	GANCIO PER LUCCHETTO
PALM GRIP	HANDGREEP	POIGNEE	HANDGRIFF	MORDAZA PALMEADA	HANDGREPP	PRESA PALMATATA
PANEL	PANEEL	PANNEAU	PANEEL	PANEL	PANEL	PANNELLO
PANEL CIRCUIT BREAKER	CIRCUITBREKER PANEEL	INTERRUPTEUR DU TABLEAU	AUSCHALTER AM BEDIENUNGSPULT	CORTA CIRCUITOS DEL PANEL	KRETSBRYTARE PANEL	INTERRUTTORE AUTOMATICO PANNELLO
PANELLIGHT	PANEELVERLICHTING	LAMPE DU TABLEAU	LEUCHTE AM BEDIENUNGSPULT	LUZ DEL PANEL	PANELBELYSNING	LUCE PANNELLO
PAPER FILTER ELEMENT	PAPIERFILTERELEMENT	ELEMENT FILTRANT	PAPIERFILTERELEMENT	ELEM. FILTRO DE PAPEL	PAPPERSFILTERELEM.	ELEMENTO FILTRANTE IN CARTA
PARALLEL KEY	SPIE	CLAVETTE PLATE	FLACHKEIL	CHAVETA	PLANKIL	CHIAVETTA PARALLELA
PARALLEL PIN	SPIE	GOUPILLE PARALLELE	PARALLELSTIFT	CLAVIA PARALELA	PARALLEL PINNE	SPINA PARALLELA
PARKING BRAKES	PARKKEEREMMEN	FREINS DE PARKING	FESTSTELLBREMSEN	FRENOS DE ESTACIONAMIENTO	PARKERINGSBROMSAR	FRENI DI PARCHEGGIO
PARTITION	TUSSENSCHOT	CLOISON	TRENNWAND	PARTICIÓN	FÖRDELARE	DIVISORIO
PASS BOLT	PASBOUT	BOULON	PASSBOLZEN	PERNO DE PASO	PASSMUTTER	BULLONE DI PASSAGGIO
PATENT PLATE	PATENTPLAATJE	PLAQUE DE BREVETS	PATENTSCHILD	PLACA DE PATENTES	PATENTSKYLT	TAPPHETTA BREVETT.
PAWL	PAL	CLIQUET	SPERRKLINKE	RETÉN	SPÄRRHAKE	NOTTOLINO D'ARRESTO
PD FILTER	PD FILTER	FILTRE PD	PD-FILTER	FILTRO DP	PD-FILTER	FILTRO PD
PECHEL TUBE	PECHEL BUIS	TUYAU PECHEL	PECHELROHR	TUBO PECHEL	PECHELRÖR	TUBO PECHEL
PERFORATED PLATE	GEFERFOREERDE PLAAT	PLAQUE PERFORÉE	PERFORIERTE PLATTE	PLACA SOPORTE	PERFORERAD PLÅT	PIASTRA PERFORATA
PHASE SEQ. RELAY	FASEVOLGORDESCHAKELAAR	RELAIS SEQ. PHASE	PHASEFOLGERRELAIS	RELÉ DE SECUENCIA DE FASE	SEKVRÉLÄ FAS	RELÈ DI SEQ. PER FASE
PILOT VALVE	STUURKLEP	VALVE PILOTE	STEUERVENTIL	VÁLVULA PILOTO	STYRVENTIL	VALVOLA PILOTA
PIN	PEN	GOUPILLE	STIFT	PASADOR	PINNE	SPINA
PIN RETAINER	PENHOUDER	ARRETOIR DE GOUPILLE	STIFTHALTER	RETÉN DE PIVOTE	TAPPHÅLLARE	SPINA DI FERMO
PIPE	PIJP	TUYAU	ROHR	TUBO	RÖR	TUBO
PIPE CAP	PIJPDOP	CAPUCHON DE TUYAU	ROHRKAPPE	TAPA DEL TUBO	RÖRHATT	CAPPELLOTTA DEL TUBO
PIPE CLAMP	PIJPKLEM	COLLIER TUYAU	ROHRSCHELLE	ABRAZADERA DE TUBO	RÖRKLÄMMA	STAFFA DI BLOCCAGGIO TUBI
PIPE CONNECTION	PIJPVERBINDING	RACCORDEMENT À TUYAU	ROHRANSCHLUSS	CONEXIÓN DE TUBERÍA	RÖRANSLUTNING	CONNESSIONE DEL TUBO
PIPE COUPLING	PIJPVERBINDING	RACCORD TUYAU	ROHRVERBINDUNG	MANGUITO	RÖRKOPPLING	MANICOTTO
PIPE ELBOW	PIJP KNIE	COUDE	KNIEROHR	CODO DE TUBERÍA	RÖRKRÖK	GOMITO DEL TUBO
PIPE JOINT	PIJPVERBINDING	JOINT DE TUYAU	ROHRVERBINDUNG	JUNTA PARA TUBERÍA	RÖRANSLUTNING	GIUNTO DEL TUBO
PIPE RADIATOR	RADIATORPIJP	TUYAU DE RADIATEUR	RÖHRENKÜHLER	RADIADOR DE TUBERÍA	RÖRKYLARE	RADIATORE DEL TUBO
PIPE SOCKET	PIJPMOF	DOUILLE	ROHRSTUTZEN	ENCHUFE HEMBRA PARA TUBERÍA	RÖRMUFF	PRESA DEL TUBO
PIPE TEE	T-PIJP	TUYAU EN T	T-STÜCK	CONECTOR EN T PARA TUBOS	T-RÖR	TUBO A "T"
PISTON	ZUIGER	PISTON	KOLBEN	PISTÓN	KOLV	PISTONE
PISTON RING	ZUIGERRING	SEGMENT DE PISTON	KOLBENRING	ARO DE PISTÓN	KOLVRING	FASCIA ELASTICA
PISTON ROD	ZUIGERSTANG	BIELLE DE PISTON	KOLBENSTANGE	VÁSTAGO DE PISTÓN	KOLVSTÅNG	BIELLA, STELO DELLO STANTUFFO
PISTON SEAL	ZUIGERAFDICHTING	JOINT DE PISTON	KOLBENDICHTUNG	SELLO DE PISTÓN	KOLVPACKNING	TENUTA DELLO STANTUFFO
PISTON VALVE	ZUIGERKLEP	CLAPET DE PISTON	KOLBENSCHIEBER	VÁLVULA DE PISTÓN	KOLVVENTIL	VALVOLA DELLO STANTUFFO
PIVOT	SCHARNIER	PIVOT	ACHSZAPFEN	PIVOTE	TAPP	PUNTO DI TESTA
PIVOT PIN	DRAAIPIEN	GOUPILLE DE PIVOTEMENT	DREHBOLZEN	PIVOTE	LEDTAPP	PERNO DI ARTICOLAZIONE
PLAIN BEARING	LAGERMOF	PALIER LISSE	GLEITLAGER	COJINETE LISO	GLIDLAGER	CUSCINETTO LISCIO
PLAIN WASHER	VLAKKE PAKKINGRING	RONDELLE LISSE	BLANKE SCHEIBE	ARANDELA PLANA	PLAN MUTTERBRICKA	RONDELLA SEMPLICE
PLASTIC BAG	PLASTIC ZAK	SAC EN PLASTIQUE	PLASTIKBEUTEL	BOLSA DE PLÁSTICO	PLASTPÅSE	SACCO IN PLASTICA
PLASTIC COVER	PLASTIC DEKSEL	COUVERTURE EN PLASTIQUE	KUNSTSTOFFABDECKUNG	CUBIERTA DE PLÁSTICO	PLASTHUV	COPERCHIO IN PLASTICA
PLASTIC HOSE	PLASTIC SLANG	FLEXIBLE EN PLASTIQUE	KUNSTSTOFFSCHLAUCH	TUBO DE PLÁSTICO	PLASTSLANG	TUBO FLESSIBILE IN PLASTICA
PLASTIC SCREW	PLASTIC SCHROEF	VIS EN PLASTIQUE	KUNSTSTOFFSCHRAUBE	TORNILLO DE PLÁSTICO	PLASTSKRUV	VITE IN PLASTICA
PLASTIC TUBE	PLASTIC BUIS	TUYAU EN PLASTIQUE	KUNSTSTOFFROHR	TUBO DE PLÁSTICO	PLASTRÖR	TUBO IN PLASTICA
PLASTIC WASHER	PLASTIC PAKKINGRING	RONDELLE EN PLASTIQUE	KUNSTSTOFFSCHEIBE	ARANDELA DE PLÁSTICO	PLASTBRICKA	RONDELLA IN PLASTICA
PLATE	PLAAT	PLAQUE	PLATTE	PLACA	PLÅT	PIASTRA
PLATE WARNING	WAARSCHUWINGSPLAAT	PLAQUE D'AVERTISSEMENT	WARNTUNGSSCHILD	PLACA DE ATENCIÓN	PLÅTVARNING	AVVISO SU PIASTRA
PLEXIGLAS DOOR	PLEXIGLAS DEUR	PORTE EN PLEXIGLAS	TÜR AUS PLEXIGLAS	PUERTA DE PLEXIGLÁS	DÖRR AV PLEXIGLAS	PORTA IN PLEXIGLAS
PLUG	PLUG	BOUCHON	STOPFEN	TAPÓN	PROPP	TAPPO
PLUG CONTACT	CONTACTSTOP	CONTACT	STECKKONTAKT	CONTACTO DE ENCHUFE	PLUGGKONTAKT	CONTATTO A SPINA
PLUG SCREW	SCHROEFPLUG	VIS A CHEVILLE	STECKBOLZEN	TORNILLO DE ENCHUFE	PLUGGSKRUV	VITE A MASCHIO
PLUNGER	PLUNJER	PLONGEUR	PLUNGER	EMBOLO	PLUNGE	PISTONE
PNEUMATIC BRAKES	SERVOREMMEN	FREINS PNEUMATIQUES	DRUCKLUFTBREMSEN	SERVOFRENOS	PNEUM. BROMSAR	FRENI PNEUMATICI
PNEUMATIC VALVE	PNEUMATISCHE KLEP	SOUPAPE PNEUMATIQUE	DRUCKLUFTBETÄTIGTES VENTIL	VÁLVULA NEUMÁTICA	PNEUMATIKVENTIL	VALVOLA PNEUMATICA
POINTER	WIJZER	AIGUILLE	ZEIGER	PUNTERO	VISARE	INDICATORE
POLE	DISSEL	BARRE	DEICHSEL	LANZA	STÅNG	POLO
POPPET VALVE	SCHOTELKLEP	SOUPAPE FERM. RAPIDE	AUF- UND ABGEBENDES VENTIL	VÁLVULA ACCIONADA POR LEVA	TALLRIKSVENTIL	VALVOLA A FUNGO
POTENTIOMETER	POTENTIOMETER	POTENTIOMETRE	POTENTIOMETER	POTENCIÓMETRO	POTENTIOMETER	POTENZIOMETRO
PREFILTER	VOORFILTER	PREFILTRE	VORFILTER	FILTRRO	FÖRFILTER	FILTRRO
PREHEAT BOX	VOORVERWARMER	BOITE PRECHAUFFAGE	VORWÄRMBEHÄLTER	CAJA DE PRECALENTAMIENTO	FÖRVÄRMNINGSLÅDA	SCATOLA DI PRERISCALDAMENTO
PREHEAT LAMP	LAMP VOORVERWARMING	LAMPE DE PRECHAUFFAGE	VORWÄRMLAMPE	LÁMPARA DE PRECALENTAM.	FÖRVÄRMNINGSLAMPA	LAMPADA DI PRERISCALDAMENTO
PREHEAT PLUG	GLOEIPUG	BOUCHON PRECHAUFFAGE	VORWÄRMSTECKER	ENCHUFE DE PRECALENTAMIENTO	FÖRVÄRMNINGSPROPP	TAPPO PER PRERISCALDAMENTO
PREHEATER	VOORVERWARMING	PRECHAUFFAGE	VORWÄRMRIEHRUNG	PRECALENTADOR	FÖRVÄRMARE	PRERISCALDATORE
PRESS. DIFF. INDICATION	DRUKVERSCHILMETER	INDIC. DIFFERENCE PRESS.	DRUCKDIFF.-ANZ.	IND. DIFER. PRESIÓN	TRYCKSK.-MÅT.	INDICAZIONE DIFF. DI PRESSIONE
PRESS. DIFF. SWITCH	DRUKVERSCHILSCHAKELAAR	INTERR. DIFFERENCE PRESS.	DRUCKROHRSVERSCHLUSS	TAPA DE PRESIÓN	TRYCKSKILLNADSBRYTARE	CAPPELLO DI PRESSIONE
PRESSURE CAP	DRUKDEKSEL	CAPUCHON DE PRESSION	SCHALTER FÜR DRUCKUNTERSCHIED	INTERR. DIFERENCIAL DE PRESIÓN	TRYCKLOCK	INTERR. DIFFERENZIALE DI PRESSIONE
PRESSURE GAUGE	MANOMETER	MANOMETRE	MANOMETER	MANÓMETRO	MANOMETER	MANOMETRO
PRESSURE REDUCER	DRUKVERLAGER	REDUCTEUR DE PRESSION	DRUCKMINDERER	REDUCTOR DE PRESIÓN	TRYCKREGULATOR	RIDUTTORE DI PRESSIONE
PRESSURE SCREW	DRUKSCHROEF	VIS DE PRESSION	DRUCKSCHRAUBE	TORNILLO DE PRESIÓN	TRYCKSKRUV	VITE DI PRESSIONE
PRESSURE SENSOR	DRUKVOELER	DETECTEUR DE PRESSION	DRUCKFÜHLER	SENSOR DE PRESIÓN	TRYCKGIVARE	SENSORE DI PRESSIONE
PRESSURE SWITCH	DRUKSCHAKELAAR	PRESSOSTAT	DRUCKSCHALTER	PRESOSTATO	TRYCKSTÄLLARE	PRESSOSTATO
PRESSURE TRANSDUCER	DRUKOPNEMER	TRANSDUCTEUR DE PRESSION	DRUCKGEBER	TRANSDUCTOR DE PRESIÓN	TRYCKOMVANDLARE	TRASDUTTORE DI PRESSIONE
PRESSURE TRANSMITTER	DRUKZENDER	EMETTEUR DE PRESSION	DRUCKÜBERTRAGER	TRANSMISOR DE PRESIÓN	TRYCKGIVARE	TRASMETTITTORE DI PRESSIONE
PRESSURE TUBE	DRUKBUIS	TUYAU A PRESSION	DRUCKLEITUNG	TUBO DE PRESIÓN	TRYCKRÖR	TUBO DI PRESSIONE
PRESSURE VALVE	DRUKKLEP	SOUPAPE DE PRESSION	DRUCKVENTIL	VÁLVULA DE PRESIÓN	TRYCKVENTIL	VALVOLA DI PRESSIONE
PRESSURE VESSEL	DRUKKETEEL	MONTÉJUS	DRUCKBEHÄLTER	RECIPIENTE DE PRESIÓN	TRYCKBEHÅLLARE	VASO DI PRESSIONE
PRINTED MATTER (PM)	DRUKWERK	IMPRIME	DRUCKSACHE	IMPRESOS (PM)	TRYCKSAK	STAMPATI

ENGLISH	NORSK	DANSK	ΕΛΛΗΝΙΚΑ	PORTUGUÊS	SUOMI
OPERAT. VALVE	DRIFTSVENTIL	MANØVREVENTIL	ΒΑΛΒΙΔΑ ΧΕΙΡΕΜΟΥ	VÁLVULA DE OPERAÇÃO	OHJAUSVENTTIILI
ORIFICE	BLÉNDETIKOPPLING	BLÉNDE	ΣΤΟΜΙΟ	ORIFÍCIO	AUKKO
OUTER CASING	YTTERHUS	KAPPE	ΕΞΩΤΕΡΙΚΟ ΚΕΛΥΦΟΣ	CAIXA EXTERNA	ULKOKOTELO
OUTER FLANGE	YTTERFLENS	YDERFLANGE	ΕΞΩΤΕΡΙΚΗ ΦΛΑΝΤΖΑ	FLANGE EXTERNA	ULKOLAIPPA
OUTLET	UTLØP	UDLØB	ΕΞΟΔΟΣ, ΕΞΑΙΓΗ	SAÍDA	POISTO
OUTLET CAP	UTLØPSHETTE	UDLØBSHETTE	ΚΑΠΑΚΙ ΕΞΟΔΟΥ	TAMPA DA SAÍDA	POISTOAUKON KANSI
OUTLET DUCT	UTLØPSKANAL	UDLØBSKANAL	ΑΙΓΩΓΟΣ ΕΞΑΙΓΗΣ	CANAL DE DESCARGA	PAKOPUTKI
OUTLET MANIFOLD	UTLØPSMANIFOLD	UDLØBSGRENØR	ΠΟΛΛΑΠΛΗ ΕΞΑΙΓΗ	TUBAGEM DE SAÍDA	POISTOPUOLEN JAKOPUTKISTO
OUTLET PIPE	UTLØPSRØR	UDLØBSRØR	ΣΩΛΗΝΑΣ ΕΞΑΙΓΗΣ	TUBO DE DESCARGA	PAKOPUTKI
OUTLET SOCKET	UTLØPSHYLSE	STIKKONTAKT	ΥΠΟΔΟΧΗ ΕΞΑΙΓΗΣ	MANCAL DE DESCARGA	PISTORASIA
OUTPUT TERMINAL	UTGANGSTERMINAL	UDGANGSTERMINAL	ΑΚΡΟΔΕΚΤΗΣ ΕΞΟΔΟΥ	TERMINAL DE SAÍDA	ANTOLIITIN
OVERCURRENT RELAY	OVERSTRØMSRELÉ	OVERSTRØMSRELÉ	ΡΕΛΕ ΥΠΕΡΡΟΗΣ ΠΕΥΜΑΤΟΣ	RELÉ DE SOBRECARGA	YLIVIRTARELE
OVERFLOW VALVE	OVERLØPSVENTIL	OVERLØBSVENTIL	ΒΑΛΒΙΔΑ ΥΠΕΡΑΦΑΙΣΗΣ	VÁLVULA DE EXCESSO	YLIUVOOTVENTTIILI
OVERHAUL KIT	REPARASJONSSETT	HOVEDREPARATIONSSÆT	ΣΥΝΘΑΛΕΞΑΡΤΗΜΑΤΩΝ ΓΕΝΙΚΗΣ ΕΠΙΣΚΕΥΗΣ	JOGO DE REVISÃO	KORJAUSSARJA
OVERLOAD PROTECTION	OVERLASTVERN	OVERBELASTNINGSSKYTTELSE	ΠΡΟΣΤΑΣΙΑ ΥΠΕΡΦΟΡΤΩΣΗΣ	PROTEÇÃO DE SOBRECARGA	YLIVIRTASUOJA
OVERLOAD RELAY	OVERSTRØMSRELÉ	OVERBELASTNINGSRRELÉ	ΡΕΛΕ ΥΠΕΡΦΟΡΤΩΣΗΣ	RELÉ DE SOBRECARGA	YLIVIRTARELE
OVERRUN BRAKE	TILHENGREBREMIS	PÅLØBSBREMSE	ΦΡΕΝΟ ΥΠΕΡΒΑΣΗΣ	TRAVÃO DE EXCESSO DE ROTAÇÕES	TÖRMÄYSIARRU
OVERSPEED DEVICE	RUSINGSVERN	OVERHASTIGHEDSANORDNING	ΣΥΣΤΗΜΑ ΥΠΕΡΕΠΙΤΑΧΥΝΣΗΣ	DISPOSITIVO LIMITADOR DE VELOCIDADE	KIERROSUVUN RAJOITIN

P

PACKING	PAKNING	PAKNING	ΣΥΣΚΕΥΑΣΙΑ, ΣΤΥΠΗΘΑΛΗΤΗΣ	VEDANTE	TIIVISTE
PAD	SKIVE	MELLEMLÆGSPLEDE	ΒΑΣΗ	ALMOFADA	PEHMIKE
PADLOCK HOOK	HENGELÅSHEKTE	KROG TIL HÆNDELÅS	ΓΑΝΤΖΟΣ ΔΟΥΚΕΤΟΥ	GANCHO DE CADEADO	RIPPUKON KIINNIKE
PALM GRIP	HÅNDTAK	HÅNDTAG	ΧΕΙΡΟΑΒΗ	ALÇA DE PALMA	KAHVA
PANEL	PANEL	PANEL	ΦΥΛΑΟ, ΚΑΛΥΜΜΑ, ΠΙΝΑΚΑΣ	PAINEL	PANEELI
PANEL CIRCUIT BREAKER	PANELKRETSBRYTER	PANELRELE	ΑΣΦΑΛΙΣΤΟΙΑΚΟ ΠΙΝΑΚΑ	PAINEL DO DISJUNTOR	PANEELIN VIRRANKATKAININ
PANELLIGHT	PANELLYS	PANELLYS	ΦΩΣ ΠΙΝΑΚΑ	LUZES DO PAINEL	TAULUN VALAISTUS
PAPER FILTER ELEMENT	PAPERFILTERELEMMENT	PAPIRFILTERELEMMENT	ΧΑΡΤΙΝΟ ΣΤΟΙΧΕΙΟ ΦΙΑΤΡΟΥ	ELEMENTO DO FILTRO DE PAPEL	PAPERISUODATINPATRUUNA
PARALLEL KEY	PARALLELKILJE	PLANKILE	ΠΑΡΑΛΛΗΛΟ ΚΑΛΕΙΜ	CHAVETA	TASOKILJA
PARALLEL PIN	PARALLELLPINNE	PARALLELSTIFT	ΠΑΡΑΛΛΗΛΟΣ ΠΙΠΙΡΟΣ	PINO LIGADO EM PARALELO	TASOKILJA
PARKING BRAKES	PARKE-SEKVENSBREMSER	PARKERINGSBREMSE	ΦΡΕΝΑ ΣΤΑΘΜΕΣΗΣ	TRAVÕES DE ESTACIONAMENTO	SEISONTAJARRUT
PARTITION	DELING	DELING	ΧΩΡΕΜΑ	DIVISÓRIA	VÄLISEINÄ
PASS BOLT	TVERRBOLT	TVÆRBOLT	ΚΟΧΛΙΑΣ	PARAFUSO DE PASSAGEM	SOVITERUUVI
PATENT PLATE	PATENTPLATE	PATENTPLADE	ΠΙΝΑΚΙΑ ΕΥΡΕΣΤΕΧΝΙΑΣ	PLACA DE PATENTE	PATENTIKILPI
PAWL	PATENTPLATE	PAL	ΚΑΣΤΑΝΙΑ	CATRACA	SULKUHAKA
PD FILTER	PD-FILTER	PD-FILTER	ΦΙΑΤΡΟ ΠΔ	FILTRO PD	PD-SUODATIN
PECHEL TUBE	PECHEL-RØR	PECHEL-RØR	ΣΩΛΗΝΑΣ PECHHEL	TUBO PECHHEL	PUTKI
PERFORATED PLATE	PERFORERT PLATE	PERFORERT PLADE	ΨΥΧΟΜΕΝΗ ΠΛΑΚΑ	PLACA PERFURADA	REI'TETTY LEVY
PHASE SEQ.RELAY	FASE-SEKVENSELÉ	FASE-SEKVENSELÉ	ΡΕΛΕ ΕΝΑΛΛΑΓΗΣ ΦΑΣΕΩΝ	RELÉ DE SEQUÊNCIA DE FASE	VAIHEJÄRSTYSRELE
PILOT VALVE	STYREVENTIL	STYREVENTIL	ΒΑΛΒΙΔΑ ΟΔΗΓΟΣ	VÁLVULA PILOTO	OHJAUSVENTTIILI
PIN	PINNE	TAP	ΠΕΡΟΝΗ	PINO	TAPPI
PIN RETAINER	LÅSEPINNE	TAFHOLDER	ΠΕΡΟΝΗΣ ΣΥΓΚΡΑΤΗΣΗΣ	RETENTOR DO PINO	TAPIN PIDIN
PIPE	RØRBOY	RØR	ΣΩΛΗΝΑΣ	TUBO	PUTKI
PIPE CAP	RØRHETTE	RØRHETTE	ΚΑΠΑΚΙ ΣΩΛΗΝΑ	TAMPA DO TUBO	PUTKEN SUOJATULPPA
PIPE CLAMP	RØRKLEMME	RØRKLEMME	ΣΦΙΚΤΗΡΑΣ ΣΩΛΗΝΑ	BRAÇADEIRA DE TUBO	PUTKIPURISTIN
PIPE CONNECTION	RØRKOPLING	RØRFORBINDELSE	ΣΥΝΔΕΣΗ ΣΩΛΗΝΑ	LIGAÇÃO DE TUBOS	PUTKILIITOS
PIPE COUPLING	RØRKOPLING	RØRSAMLING	ΣΥΝΔΕΣΜΟΣ ΣΩΛΗΝΑ	UNIÃO DE TUBOS	PUTKILIITIN
PIPE ELBOW	RØRKNE	KNÆRØR	ΓΩΝΙΑ ΣΩΛΗΝΑ	TUBO EM COTOVELO	POLVIPUTKI
PIPE JOINT	RØRSKJØT	RØRSAMLING	ΣΥΝΔΕΣΜΟΣ ΣΩΛΗΝΑ	JUNTA DE TUBO	PUTKILIITOS
PIPE RADIATOR	RØRRADIATOR	RØRRADIATOR	ΣΩΛΗΝΑΣ ΨΥΓΓΕΙΟΥ	TUBO DO RADIADOR	JÄÄHDYTYNPUTKI
PIPE SOCKET	RØRHYLSE	RØRSTUDS	ΥΠΟΔΟΧΗ ΣΩΛΗΝΑ	BASE DO TUBO	PUTKEN MUHVI
PIPE TEE	T-KOPLING	T-STYKKE	ΣΩΛΗΝΑΣ Τ	TUBO EM FORMA DE T	TPUTKI
PISTON	STEMPEL	STEMPEL	ΕΜΒΟΛΟ, ΠΙΣΤΟΝΙ	ÊMBOLO	MÄNTÄ
PISTON RING	STEMPELRING	STEMPELRING	ΔΑΚΤΥΛΙΟΣ ΕΜΒΟΛΟΥ	SEGMENTO	MÄNNÄNRENGAS
PISTON ROD	STEMPELSTANG	STEMPELSTANG	ΒΑΚΤΡΟ ΕΜΒΟΛΟΥ	BIELA	KIERTOKANKI
PISTON SEAL	STEMPELJETNING	STEMPELTÆTNING	ΣΤΥΠΗΘΑΛΗΤΗΣ ΕΜΒΟΛΟΥ	JUNTA DE VEDAÇÃO DO ÊMBOLO	MÄNNÄN TIVISTE
PISTON VALVE	STEMPELVENTIL	STEMPELVENTIL	ΒΑΛΒΙΔΑ ΕΜΒΟΛΟΥ	VÁLVULA DISTRIBUIDORA CILÍNDRICA	MÄNTÄVENTTIILI
PIVOT	LEDD	TAP	ΑΞΟΝΟΣ	EIXO FIXO	SARANA
PIVOT PIN	LEDDTAPP	DREJETAP	ΠΙΠΙΡΟΣ ΕΜΒΟΛΟΥ	PINO ARTICULADO	NIVELTAPPI
PLAIN BEARING	GLIDELAGER	ENKELT LÆJE	ΕΠΙΠΕΔΟ ΕΡΑΝΟ	CHUMACEIRAS SIMPLES	LIUKULAAKERI
PLAIN WASHER	RUND SKIVE	PLAN UNDERLAGSSKIVE	ΑΠΛΗ ΡΟΔΕΑ	ANILHA SIMPLES	PYÖREÄ ALUSLAATTA
PLASTIC BAG	PLASTPOSE	PLASTPOSE	ΠΛΑΣΤΙΚΗ ΣΑΚΟΥΥΑ	SACO DE PLÁSTICO	MUOVIPUSSI
PLASTIC COVER	PLASTLØKK	PLASTLÅG	ΠΛΑΣΤΙΚΟ ΚΑΛΥΜΜΑ	COBERTURA PLÁSTICA	MUOVIKANSI
PLASTIC HOSE	PLASTSLANGE	PLASTSLANGE	ΠΛΑΣΤΙΚΟΣ ΕΛΑΣΤΙΚΟΣ ΣΩΛΗΝΑΣ	MANGUEIRA DE PLÁSTICO	MUOVILETKU
PLASTIC SCREW	PLASTSKRUE	PLASTSKRUE	ΠΛΑΣΤΙΚΗ ΒΙΑ	PARAFUSO DE PLÁSTICO	MUOVIRUUVI
PLASTIC TUBE	PLASTRØR	PLASTRØR	ΠΛΑΣΤΙΚΟΣ ΣΩΛΗΝΑΣ	TUBO DE PLÁSTICO	MUOVIPUTKI
PLASTIC WASHER	PLASTSKIVE	PLASTSKIVE	ΠΛΑΣΤΙΚΗ ΡΟΔΕΑ	ANILHA DE PLÁSTICO	MUOVINEN ALUSLAATTA
PLATE	PLATE	PLATE	ΠΛΑΚΑ	PLACA	LEVY
PLATE WARNING	VARSSELPLATE	ADVARSELSPLEDE	ΠΡΟΕΙΔΟΠΟΙΗΤΙΚΗ ΠΙΝΑΚΙΑ	PLACA DE AVISO	VAROPIKILPI
PLEXIGLAS DOOR	PLEKSIGLASSDØR	PLEKSIGLASSDØR	ΠΟΡΤΑ ΠΛΕΞΙΓΛΑΣ	PORTA EM VIDRO PLASTIFICADO	PLEKSIASINEN OVI
PLUG	PLUGG	PROP	ΒΥΣΜΑ	TOMADA / FICHA	TULPPA
PLUG CONTACT	PLUGGKONTAKT	STIKKONTAKT	ΠΩΜΑ ΕΠΑΦΗΣ	CONTACTO ROSCADO	PISTOKSKETIN
PLUG SCREW	PLUGGSKRUE	SKRUEPROP	ΠΩΜΑ ΚΟΧΛΙΑ	PARAFUSO-TAMPÃO	RUUVITULPPA
PLUNGER	STEMPEL	PUMPESTEMPEL	ΕΜΒΟΛΟΦΟΡΑ ΑΝΤΑΤΙΑ	ÊMBOLO	MÄNTÄ
PNEUMATIC BRAKES	PNEUMATISKE BREMSER	TRYKLØFTBREMSE	ΠΝΕΥΜΑΤΙΚΑ ΦΡΕΝΑ	TRAVÕES PNEUMÁTICOS	PAINEINMAJARRUT
PNEUMATIC VALVE	PNEUMATISK VENTIL	PNEUMATISK VENTIL	ΠΝΕΥΜΑΤΙΚΗ ΒΑΛΒΙΔΑ	VÁLVULA PNEUMÁTICA	PAINEINMAVENTTIILI
POINTER	VISER	VISER	ΔΕΙΚΤΗΣ	PONTEIRO INDICADOR	OSOITIN
POLE	STANG	STANG	ΠΟΛΟΣ	PÓLO	TUKITANKO
POPPET VALVE	SETEVENTIL	LØFTEVENTIL	ΒΑΛΒΙΔΑ ΜΙΑΝΟΜΗΣ	VÁLVULA DE GATILHO	LAUTASVENTTIILI
POTENTIOMETER	POTENSIOMETER	POTENTIOMETER	ΠΟΤΕΝΣΙΟΜΕΤΡΟ	POTENCIÓMETRO	POTENCIOMETRI
PREFILTER	FØRFLTER	FØRFLTER	ΠΡΟΦΙΑΤΡΟ	PRÉ-FILTRO	ESISUODATIN
PREHEAT BOX	FØRVARMERBOKS	FØRVARMERBOKS	ΚΙΒΩΤΙΟ ΠΡΟΘΕΡΜΑΝΤΗΡΑ	CAIXA DE PRÉ-AQUECIMENTO	ESILÄMMITIN
PREHEAT LAMP	FØRVARMERLAMPE	FØRVARMNINGSLAMPE	ΛΑΜΠΑ ΠΡΟΘΕΡΜΑΝΣΗΣ	LÂMPADA DE PRÉ-AQUECIMENTO	HEHKUTUKSEN MERKKIVAULO
PREHEAT PLUG	FØRVARMERPLUGG	FØRVARMERSTIK	ΣΤΟΙΧΕΙΟ ΠΡΟΘΕΡΜΑΝΤΗΡΑ	TOMADA DE PRÉ-AQUECIMENTO	HEHKUTULPPA
PREHEATER	FØRVARMER	FØRVARMER	ΠΡΟΘΕΡΜΑΝΤΗΡΑΣ	PRÉ-AQUECEDOR	ESILÄMMITYS
PRESS. DIFF. INDICATION	TRYKKHETTE	TRYKFORSKELSMÅLER	ΔΕΙΚΤΗΣ ΔΙΑΦΟΡΑΣ ΠΙΕΣΗΣ	TAMPA DE PRESSÃO	PAINE-EROMITTARI
PRESS. DIFF. SWITCH	TRYKDIFFMÅLER	TRYKFORSKELSAFBRYDER	ΔΙΑΦΟΡΙΚΟΣ ΔΙΑΚΟΠΤΗΣ ΠΙΕΣΗΣ	MANÓMETRO DIFERENCIAL	PAINE-EROKYTKIN
PRESSURE CAP	TRYKKFORSKJELLBRYTER	TRYKHETTE	ΚΑΠΑΚΙ ΠΙΕΣΗΣ	INTERRUPTOR DIFERENCIAL DE PRESSÃO	PAINEKANSI
PRESSURE GAUGE	MANOMETER	TRYKMÅLER	ΜΕΤΡΗΤΗΣ ΕΛΕΓΧΟΥ ΠΙΕΣΗΣ	MANÓMETRO DE PRESSÃO	PAINEMITTARI
PRESSURE REDUCER	TRYKKREDUKSJON	TRYKREGULATOR	ΜΕΙΩΤΗΣ ΠΙΕΣΗΣ	REDUTOR DE PRESSÃO	PAINEENALENNUSVENTTIILI
PRESSURE SCREW	TRYKSKRUE	TRYKSKRUE	ΚΟΧΛΙΑΣ ΠΙΕΣΗΣ	PARAFUSO DE PRESSÃO	PAINEURUUVI
PRESSURE SENSOR	TRYKKFØLER	TRYKFØLER	ΑΣΘΗΤΗΡΑΣ ΠΙΕΣΗΣ	SENSOR DE PRESSÃO	PAINEANTURI
PRESSURE SWITCH	TRYKKBRYTER	TRYKAFBRYDER	ΔΙΑΚΟΠΤΗΣ ΠΙΕΣΗΣ	INTERRUPTOR DE PRESSÃO	PAINEKYTKIN
PRESSURE TRANSDUCER	TRYKKOVERFØRER	TRYKTRANSDUCER	ΜΕΤΑΦΕΡΩΤΗΣ ΠΙΕΣΗΣ	TRANSDUTOR DE PRESSÃO	PAINEANTURI
PRESSURE TRANSMITTER	TRYKKGIVER	TRYKTRANSMITTER	ΜΕΤΑΔΟΤΗΣ ΠΙΕΣΗΣ	TRANSMISSOR DE PRESSÃO	PAINELÄHETIN
PRESSURE TUBE	TRYKKRØR	TRYKRØR	ΣΩΛΗΝΑΣ ΠΙΕΣΗΣ	TUBO DE PRESSÃO	PAINEPUTKI
PRESSURE VALVE	TRYKKVENTIL	TRYKVENTIL	ΒΑΛΒΙΔΑ ΠΙΕΣΗΣ	VÁLVULA DE PRESSÃO	PAINEKYTKIN
PRESSURE VESSEL	TRYKKBEHOLDER	TRYKBEBOLDER	ΑΧΘΙΟ ΠΙΕΣΗΣ	RESERVATÓRIO DE PRESSÃO	PAINEASTIA
PRINTED MATTER (PM)	TRYKKSÅK	TRYKSÅGER	ΕΝΤΥΠΟ ΥΛΙΚΟ	IMPRESSOS	PAINOTUOTE

ENGLISH	NEDERLANDS	FRANCAIS	DEUTSCH	ESPAÑOL	SVENSKA	ITALIANO
PROFILE	PROFIEL	PROFIL	PROFIL	PERFIL	PROFIL	PROFILO
PROGRAMMER	PROGRAMMEUR	PROGRAMMATEUR	PROGRAMMIERER	PROGRAMADOR	PROGRAMMERARE	PROGRAMMATORE
PROTECTION	BESCHERMSTUK	PROTECTION	SCHUTZ	PROTECCIÓN	SKYDD	PROTEZIONE
PROTECTION CAP	BESCHERMKAP	CAPUCHON DE PROTECTION	SCHUTZKAPPE	TAPA DE PROTECCIÓN	SKYDDSLÖCK	TAPPO DI PROTEZIONE
PROTECTION COLLAR	BESCHERMKRAAG	COLLIER DE PROTECTION	SCHUTZKRAGEN	COLLAR DE PROTECCIÓN	SKYDDSKRAGE	COLLARE DI PROTEZIONE
PROTECTION PLATE	BESCHERMPLAAT	PLAQUE DE PROTECTION	SCHUTZPLATTE	PLACA DE PROTECCIÓN	SKYDDSPLÅT	PIASTRA DI PROTEZIONE
PROTECTION PLUG	BESCHERMPLUG	BOUCHON DE PROTECTION	SCHUTZKONTAKTSTECKER	ENCHUFE DE PROTECCIÓN	SKYDDSPLUGG	TAPPO DI PROTEZIONE
PROXIMITY SENSOR	NADERINGSVOELER	DETECTEUR DE PROXIMITE	NÄHERUNGSFÜHLER	SENSOR DE PROXIMIDAD	AVKÄNNARE	SENSORE DI PROSSIMITÀ
PROXIMITY SWITCH	NADERINGSSCHAKELAAR	INTERRUPTEUR DE PROXIMITE	NÄHERUNGSSCHALTER	INTERRUPTOR DE PROXIMIDAD	BERÖRINGSFRI BRYT.	INTERRUTTORE DI PROSSIMITÀ
PULLEY	RIEMSCHIJF	POULIE	RIEMENSCHIBE	POLEA	REMSKIVA	PULEGGIA
PULLEY SHAFT	AS V. RIEMSCHIJF	ARBRE DE POULIE	WELLE FÜR RIEMENSCHIBE	ESTATOR DE LA POLEA	AXEL REMSKIVA	ALBERO DELLA PULEGGIA
PULLROD	TREKSTANG	TIGE	ZUGSTANGE	BARRA DE TRACCIÓN	DRAGSTÅNG	STELO DI TRAZIONE
PULSATION DAMPER	DRUKVEREFFENAAR	AMORTISSEUR DE PULSAT.	PULSATIONS DÄMPFER	AMORT. DE PULSACIÓN	PULSATIONS DÄMPARE	SMORZATORE DI PULSAZIONI
PUMP	POMP	POMPE	PUMPE	BOMBA	PUMP	POMPA
PUMP AXLE	POMPAS	ESSIEU DE POMPE	PUMPENWELLE	EJE DE LA BOMBA	PUMPAXEL	ASSALE DELLA POMPA
PUMP ELEMENT	POMPELEMENT	ELEMENT DE POMPE	PUMPENELEMENT	ELEMENTO DE BOMBA	PUMPELEMENT	ELEMENTO DELLA POMPA
PUMP GEAR WHEEL	TANDWIEL, POMP	ENGRENAGE DE POMPE	ZAHNRAD, PUMPE	RUEDA DENTADA DE LA BOMBA	KUGGHJULSPUMP	INGRANAGGIO DELLA POMPA
PUSH BUTTON	DRUCKKNOP	BOUTON-POUSSOIR	DRUCKKNOPF	BOTÓN DE IMPULSO	TRYCKKNAPP	PULSANTE
PUSH LOCK FITTING	DRUKBEVESTIGING	FIXATION VERROUILLAGE	DRUCKVERRIEGELUNG	ACCES DE BLOQUEO DEL IMPULSO	TRYCKLOCKARMATUR	ACCESSORIO DI BLOCCAGGIO DI SPINTA
PUSH MOUNT	DRUKBEVESTIGING	FIXATION POUSSOIR	DRUCKVERSCHLUSS	MONTAJE DE IMPULSO	TRYCKFÄSTE	PREDISP. DI MONTAGGIO DI SPINTA
PUSH-ON CLIP	DRUKKLEM	CIRCLIP-POUSSOIR	DRUCKKLEMMLE	GRAPA A PRESIÓN	TRYCKKLÄMMA	ARRESTO A PRESSIONE

Q

QD FILTER	QD FILTER	FILTRE QD	QD-FILTER	FILTRO QD	QD-FILTER	FILTRO QD
QUICK COUPLING	SNELKOPPELING	RACCORD RAPIDE	SCHNELLKUPPLUNG/-VER-SCHLUSS	ACOPL. RÁPIDO	SNABBKOPPLING	RACCORDO RAPIDO

R

RACEWAY	BEVESTIGINGSRAIL	SUPPORT	KONSOLKUGELLAGERING	CANALETA	FÄSTE	SEDE DI ROTOLAMENTO
RACK	HEUGEL	CASIER	GESTELL	CREMALLERA	KUGGSTÅNG	CREMAGLIERA
RADIAL LIP SEAL	RADIALE OLIEKEERING	JOINT LANGUETTE RADIALE	RADIALE LIPPENDICHTUNG	SELLO DE LABIOS RADIAL	RADIÉLL LÄPPÅTNING	TENUTA A LABBRO RADIALE
RADIATOR	RADIATOR	RADIATEUR	KÜHLER	RADIADOR	KYLARE	RADIATORE
RADIATOR CAP	RADIATORDOP	BOUCHON DE RADIALEUR	KÜHLWASSERVERSCHLUSS	TAPA DEL RADIADOR	KYLARLOCK	CAPPELLO DEL RADIATORE
RADIATOR FILLING CAP	RADIATORVULLDOP	BOUCHON REMPLISSAGE RAD.	KÜHLWASSERFÜLLVERSCHLUSS	TAPA DELLENADO DEL RADIADOR	PÄFYLLNINGSLÖCK KYLARE	CAPP. DI RIEMPIMENTO DEL RADIATORE
RADIATOR HOSE	RADIATORSLANG	FLEXIBLE DE RADIALEUR	KÜHLWASSERSCHLAUCH	TUBO DEL RADIADOR	KYLARSLANG	TUBO FLESSIBILE DEL RADIATORE
RADIATOR PIPE	RADIATORPIJP	TUYAU DE RADIALEUR	KÜHLWASSERROHR	TUBERÍA DEL RADIADOR	KYLARRÖR	TUBO DEL RADIATORE
RADIATOR TUBE	RADIATORBUS	TUYAU DE RADIALEUR	KÜHLWASSERLEITUNG	TUBO DEL RADIADOR	KYLARRÖR	TUBO DEL RADIATORE
RAIL	BEVESTIGINGSLIST	RAIL	BEVESTIGUNGSBÜGEL/SCHIENE	CARRIL	FÄSTE	ROTAIA
RAIL SUPPORT	STEUEN V. BEVESTIGINGSLIST	SUPPORT DE RAIL	SCHIENENSTÜTZE	SOPORTE DE GUÍA	FÄSTSTÖD	SUPPORTO PER ROTAIA
RAINCAP	REGENKAP	PROTECTION ANTI-PLUIE	REGENSCHUTZ	CUBIERTA DE LLUVIA	REGNLOCK	CAPPELLO PER PIOGGIA
RANGE CHART	PRESTATIECURVE	COURBE CARACTERISTIQUE	LEISTUNGSKURVE	CURVA CARACTERÍSTICA	OMRÅDESTABELL	GRAFICO DELLA PORTATA
RATCHET	PAL	CLIQUET	SPERRKLINKE	TRINQUETE	SPÄRRHÅKE	NOTTOLINO DI ARRESTO
RATCHET ROLLER	ROL	ROULEAU	ROLLE	RODILLO	SPÄRRULLE	RULLO DEL NOTTOLINO
RATCHET WHEEL	PALWIEL	ROUE A CLIQUET	SPERRKLINKENRAD	RUEDA DE TRINQUETE	SPÄRRHJUL	RULO/AIDENTI/SEGANNO/DI ARRESTO
REACTOR	SMOORSPOEL	REACTEUR	DROSSELSPULE	REACTOR	REAKTOR	REATTANZA
REAR	ACHTER	ARRIERE	HINTEN	POSTERIOR	BAKRE	POSTERIORE
RECEIVER	KETEL	RESERVOIR	BEHÄLTER	DEPÓSITO	BEHÅLLARE	SERBATOIO
RECEPTACLE	HOUDER	RECIPIENT	STECKDOSE	RECEPTÁCULO	HONKONTAKT	RECIPIENTE
RECOND. SET	REVISIESET	JEU DE REVISION	ÜBERHOLUNGSSATZ	JUEGO DE REVISIÓN	RENOVERINGSSATS	SERIE PER LA REVISIONE
RECTIFIER	GELIJKRICHTER	REDRESSEUR	GLEICHRICHTER	RECTIFICADOR	LIKRIKTARE	RADDRIZZATORE
RED SOFT COPPER	ZACHT ROODKOPER	CUIVRE ROUGE DOUX	WEICHES ROTKUPFER	COBRE ROJO BLANDO	MJUK RÖDKOPPAR	RAME ROSSO RICOTTO
RED. NUT	VERLOOPMOER	ÉCROU RÉDUCTEUR	REDUZIERMUTTER	TUERCA REDUCTORA	REDUCERINGSMUTTER	DADO RIDUTTORE
RED. RING	VERLOOPRING	ANNEAU RÉDUCTEUR	REDUZIERRING	ANILLO REDUCTOR	REDUCERINGSRING	ANELLO RIDUTTORE
RED. SLEEVE	VERLOOPSOK	MANCHON DROIT	REDUZIERMUFFE	MANGUITO REDUCTOR	REDUCERINGSHYLSA	BUSSOLA RIDUTTRICE
REDUCER	VERLOOPSTUK	RÉDUCTEUR	REDUZIERSTÜCK	REDUCTOR	REDUCERINGSSTYCKE	RIDUTTORE
REDUCER ELBOW	KNIE VERLOOPSTUK	RÉDUCTEUR A COUDE	ÜBERGANGSKNIEHR	CODO REDUCTOR	REDUCERINGSSTYCKE	GOMITO DI RIDUZIONE
REDUCING COUPLING	VERLOOPKOPPELING	RACCORD RÉDUCTEUR	ÜBERGANGSVERBINDUNG	CONEXIÓN REDUCTORA	REDUCERKOPPLING	GIUNTO DI RIDUZIONE
REDUCING NUT	VERLOOPMOER	ÉCROU RÉDUCTEUR	ÜBERGANGSMUTTER	TUERCA REDUCTORA	REDUCERMUTTER	DADO DI RIDUZIONE
REDUCING PLATE	VERLOOPPLAAT	PLAQUE RÉDUCTRICE	ÜBERGANGSPLATTE	PLACA REDUCTORA	REDUCERPLÅT	PIASTRA DI RIDUZIONE
REDUCING RING	VERLOOPRING	ANNEAU RÉDUCTEUR	ÜBERGANGSRING	ANILLO REDUCTOR	REDUCERRING	ANELLO DI RIDUZIONE
REDUCING SLEEVE	VERLOOPHULS	MANCHON RÉDUCTEUR	ÜBERGANGSMUFFE	MANGUITO REDUCTOR	REDUCERMANTSEL	MANICOTTO DI RIDUZIONE
REDUCING SOCKET	VERLOOPHULS	MANCHON RÉDUCTEUR	ÜBERGANGSMUFFE	ENCHUFE HEMBRA REDUCTOR	REDUCERHYLSA	PRESA DI RIDUZIONE
REDUCING WASHER	VERLOOPRING	RONDELLE RÉDUCTRICE	ÜBERGANGSSCHIBE	ARANDELA REDUCTORA	REDUCERBRICKA	RONDELLA DI RIDUZIONE
REEL	SPOEL	BOBINE	ROLLE	CARRETE	RULLE	BOBINA
REFLECTOR	REFLECTOR	REFLECTEUR	REFLEKTOR	REFLECTOR	REFLEKTOR	RIFLETTORE
REFRIGERANT COMPR.	KOELKOMPRESSOR	COMPRESSEUR DE REFRIG	KÄLTEMITTELKOMP.	COMPR. DE REFRIGERACIÓN	KYLKOMPRESSOR	COMPRESSORE REFRIGERANTE
REGENERATION PIPE	PIJP	TUYAU	ROHR	TUBO DE REGENERACIÓN	RÖR	TUBO DI RIGENERAZIONE
REGULATING VALVE	REGELVENTIEL	SOUPE DE REGULATION	REGELVENTIL	VÁLV. DE REGULACIÓN	REGLERVENTIL	VALVOLA DI REGOLAZIONE
REGULATOR	REGELAAR	REGULATEUR	REGLER	REGULATOR	REGULATOR	REGOLATORE
REHEATER	HERVERWARMER	ELEMENT DE RECHAUFFAGE	NACHBRENNER	RECALENTADOR	ÅTERUPPVÄRMARE	RISCALDATORE INTERMEDIO
REINFORCEMENT PLATE	VERSTEVIKINGSPLAAT	PLAQUE DE RENFORCEMENT	VERSTEIFUNGSPLATTE	PLACA DE REFUERZO	FÖRSTÄRKNINGSPLATTA	PIASTRA DI RINFORZO
REINFORCEMENT STRIP	VERSTEVIKINGSSTRIP	BANDE DE RENFORCEMENT	VERSTÄRKUNGSPROFIL	TIRA DE REFUERZO	FÖRSTÄRKNINGREMSA	NASTRO DI RINFORZO
RELAY	RELAIS	RELAIS	RELAIS	RELÉ	RELÄ	RELÉ
RELAY BOX	RELAISKAST	BOITE DE RELAIS	RELAISKASTEN	CAJA DE RELÉ	RELÄSKÅP	SCATOLA PER RELE'
RELAY SOCKET	RELAISAANSLUITING	DOUILLE DE RELAIS	RELAISPLATZ	ENCHUFE HEMBRA DE RELÉ	RELÄHYLSA	PRESA PER RELE'
RELEASE VALVE	UITLEATKLEP	SOUPE DE DETENTE	AUSLÖSEVENTIL	VALVULA DE DESCARGA	UTLÖSNINGSVENTIL	VALVOLA DI SCARICO DELLA PRESSIONE
RELIEF VALVE	OVERDRUKKLEP	SOUPE DE SURPRESSION	ÜBERDRUCKVENTIL	VÁLV. SOBREPRESIÓN	ÖVERTRYCKSVENTIL	VALVOLA LIMITATRICE DELLA PRES.
REMOTE CONTROL	AFSTANDSBEDIENING	TELECOMMANDE	FERNSTEUERUNG	CONTROL REMOTO	FJÄRRKONTROLL	CONTROLLO A DISTANZA
REMOTE PANEL	AFSTANDSBEDIENINGSPANEEL	TABLEAU TELECOMMANDE	FERNBEDIENUNGSPULT	PANEL REMOTO	FJÄRRPANEL	PANNELLO DI COMANDO A DISTANZA
REPAIR KIT	HERSTELLINGSKIT	KIT DE REPARATION	REPARATURSATZ	KIT DE REPARACIÓN	REPARATIONSSATS	KIT PER RIPARAZIONI
RESERVE TANK	RESERVE TANK	RESERVOIR DE RESERVE	RESERVEBEHÄLTER	DEPÓSITO DE RESERVA	RESERVATANK	SERBATOIO DI RISERVA
RESISTOR	WEERSTAND	RESISTANCE	WIDERSTAND	RESISTENCIA	MOTSTÅND	RESISTENZA
RESTRICTOR	RESTRICTIE	RESTRICTEUR	DROSSEL	RESTRICTOR	STRYPBRICKA	LIMITATORE DI EFFLUSSO
RESTRICTOR VALVE	RESTRICTIEKLEP	VALVE DE RESTRICTION	DROSSELVENTIL	VÁLV. DE RESTRICCIÓN	STRYPVENTIL	VALVOLA LIMITATRICE DELLA PORTATA
RESTRICTOR WASHER	BEGRENZER	RONDELLE DE RESTRICTEUR	BEGRENZUNGSSCHIBE	ARANDELA RESTRICTIVA	STRYPBRICKA	RONDELLA DI LIMITAZIONE
RETAINER	HOUDER	ARRETOIR	HALTER	DISPOSITIVO TOPE	HÅLLARE	FERMO, SCODELLINO
RETAINING RING	BORGRING	BAGUE D'ARRETOIR	SPRENGRING	ANILLO DE RETENCIÓN	STOPPRING	ANELLO DI FERMO
RETAINING SPRING	BORGVEER	RESSORT DE RETENUE	HALTFEDER	MUELLE DE RETENCIÓN	SPÄRRFÄDER	MOLLA DI FERMO
RH (RIGHT-HAND)	RECHTS	DROITE	RECHTS	MANO DERECHA	HÖGER	DESTRA
RHEOSTAT	REGELBARE WEERSTAND	RHEOSTAT	RHEOSTAT	REÓSTATO	REOSTAT	REOSTATO
RIM	VELG	JANTE	FELGE	LLANTA	FÄLG	CORONA
RING	RING	ANNEAU, BAGUE	RING	RING	RING	ANELLO
RIVET	KLINKNAGEL	RIVET	NIET	REMACHE	NT	RIVETTO
ROAD AXLE	AS	ESSIEU ROUTIER	ACHSE	EJE DE LA CALZADA	VÅGAXEL	ASSALE STRADALE
ROAD SIGNALISATION	WEGSIGNALISATIE	SIGNALISATION ROUTIÈRE	SIGNALVORRICHTUNG	SEÑALIZ. DE CARRETERA	VÄGMARKERING	SEGNALAZIONI STRADALI
ROCKER COVER	TUIMELAARDEKSEL	CACHE-CULBUTEUR	KIPPEBELABDECKUNG	CUBIERTA DEL BALANCÍN	VIPPLÖCK	COPERTURA BILANCIERE
ROCKWOOL	STEENWOL	LAINÉ MINÉRALE	STEINWOLLE	LANA MINERAL	MINERALULL	LANA DI SCORIA
ROD	STANG	TIGE	STANGE	BARRA	STÅNG	STELO
ROD CONNECTION	STANGVERBINDING	CONNEXION A TIGE	STANGENVERBINDUNG	CONEXIÓN DE LA BARRA	KOLVSTÅNG	STELO-STANTUFFO
ROD EYE	STANGOOG	ANNEAU DE TIGE	STANGENÖSE	OJO DE LA BARRA	STÅNGANSLUTNING	CONNESSIONE DELLO STELO

ENGLISH	NORSK	DANSK	ΕΛΛΗΝΙΚΑ	PORTUGUÊS	SUOMI
PROFILE	PROFIL	PROFIL	ΠΡΟΦΙΛ, ΔΙΑΤΟΜΗ, ΕΞΑΡΤΗΜΑ	PERFIL	PROFILLI
PROGRAMMER	PROGRAMMERER	PROGRAMMØR	ΠΡΟΓΡΑΜΜΑΤΙΣΤΗΣ	PROGRAMADOR	OHJELMOJUA
PROTECTION	VERN	SKÆRM	ΠΡΟΣΤΑΣΙΑ	PROTECÇÃO	SUOJUS
PROTECTION CAP	VERNEHETTE	BESKYTTELSESHETTE	ΠΡΟΣΤΑΤΕΥΤΙΚΟ ΚΑΠΑΚΙ, ΣΚΕΠΑΣΜΑ	TAMPA DE PROTECÇÃO	SUOJATULPPA
PROTECTION COLLAR	BESKYTTELSESHYLSE	BESKYTTELSESMUFFE	ΠΡΟΣΤΑΤΕΥΤΙΚΟ ΚΟΛΛΑΡΟ	ARO DE PROTECÇÃO	SUOJAKAULUS
PROTECTION PLATE	BESKYTTELSESPLATE	BESKYTTELSESPLADE	ΠΡΟΣΤΑΤΕΥΤΙΚΗ ΠΛΑΚΑ	PLACA DE PROTECÇÃO	SUOJALEVY
PROTECTION PLUG	BESKYTTELSESPLUGG	BESKYTTELSESSTIK	ΠΡΟΣΤΑΤΕΥΤΙΚΟ ΠΩΜΑ	TOMADA DE PROTECÇÃO	SUOJATULPPA
PROXIMITY SENSOR	NÆRFØLER	NÆRHEDSFØLER	ΑΙΣΘΗΤΗΡΑΣ ΠΡΟΣΕΓΓΙΣΗΣ	SENSOR DE PROXIMIDADE	LÄHESTYMISSANTURI
PROXIMITY SWITCH	NÆRBRYTER	NÆRHEDSAFBRYDER	ΔΙΑΚΟΠΤΗΣ ΠΡΟΣΕΓΓΙΣΗΣ	INTERRUPTOR DE PROXIMIDADE	LÄHESTYMISSKYTKIN
PULLEY	REMSKIVE	REMSKIVEAKSEL	ΤΡΟΧΑΛΙΑ	POLIA	HIHNAPYÖRÄ
PULLEY SHAFT	REMSKIVEAKSEL	REMSKIVEAKSEL	ΑΞΟΝΑΣ ΤΡΟΧΑΛΙΑΣ	EIXO DA POLIA	HIHNAPYÖRÄN AKSELI
PULL ROD	TREKKSTANG	TREKSTANG	ΠΑΒΟΣ ΕΛΞΗΣ	HASTE DE TRACÇÃO	VETOTANKO
PULSATION DAMPER	PULSERINGSDEMPER	STØDDÆMPER	ΑΠΟΣΒΕΣΤΗΡΑΣ ΔΙΑΚΥΜΑΝΣΕΩΝ	AMORTECEDOR DE PULSAÇÕES	PAINEISKUJEN VAIMENNIN
PUMP	PUMPE	PUMPE	ΑΝΤΑΙΑ	BOMBA	PUMPPU
PUMP AXLE	PUMPEAKSEL	PUMPEAKSEL	ΑΞΟΝΑΣ ΑΝΤΑΙΑΣ	EIXO DA BOMBA	PUMPUN AKSELI
PUMP ELEMENT	PUMPELEMENT	PUMPELEMENT	ΣΤΟΙΧΕΙΟ ΑΝΤΑΙΑΣ	ELEMENTO DE BOMBA	PUMPUULEMENTTI
PUMP GEAR WHEEL	TANNHJULSPUMPE	PUMPETANDHJUL	ΟΔΟΝΤΩΤΟΣ ΤΡΟΧΟΣ ΑΝΤΑΙΑΣ	ENGRENAGEM DA BOMBA	PUMPUN HAMMASPYÖRÄ
PUSH BUTTON	TRYKKKNAPP	TRYKNAPP	ΚΟΥΜΠΙ, ΜΠΟΥΤΟΝ	BOTÃO DE PRESSÃO	PAINKI
PUSH LOCK FITTING	TRYKKLÅSESVIVEL	TRYKLÅSFITTING	ΑΣΦΑΛΙΣΜΕΝΟ ΕΞΑΡΤΗΜΑ	ENCAIXE COM FECHO DE PRESSÃO	PISTOKIINNITYS
PUSH MOUNT	TRYKKOPLING	TRYKKOBLING	ΕΦΑΡΜΟΣΤΗ ΒΑΣΗ	INSTALAÇÃO DE COMPRESSÃO	PISTOKIINNITYS
PUSH-ON CLIP	TRYKKLEMME	TRYKKLEMME	ΕΦΑΡΜΟΣΤΟΣ ΣΥΓΚΡΑΤΗΤΗΡΑΣ	FREIO DE ENCAIXE	LUKITSIN

Q

QD FILTER	QD-FILTER	QD-FILTER	ΦΙΛΤΡΟ QD	FILTRO QD	QD-SUODATIN
QUICK COUPLING	HURTIGKOPLING	LYNKOBLING	ΤΑΧΥΣΥΝΔΕΣΜΟΣ	UNIÃO RÁPIDA	PIKALITIN

R

RACEWAY	FESTESKINNE	KROG	ΤΡΟΧΙΑ	CALHA	KIINNITYSKISKO
RACK	STATIV	STATIV	ΚΥΡΕΛΗ	CREMALHEIRA	TELNE
RADIAL LIP SEAL	RADIAL LEPPETETNING	RADIAL LUKKEFLADET/ETNING	ΠΕΡΙΦΕΡΕΙΑΚΗΣ ΤΕΓΑΝΩΣΗΣ ΧΕΙΛΙΟΥΣ	SELO DE VIROLA RADIAL	SÄTEISÖLJYKYNNS
RADIATOR	KJØLER	KØLER	ΨΥΤΕΙΟ	RADIADOR	JÄÄHDYTTIN
RADIATOR CAP	RADIATORLOKK	KØLERDEKSEL	ΚΑΠΑΚΙ ΨΥΓΓΕΙΟΥ	TAMPA DO RADIADOR	JÄÄHDYTTIMEN KANSI
RADIATOR FILLING CAP	RADIATORPÄFYLLINGSLOKK	KØLERDEKSEL	ΚΑΠΑΚΙ ΠΛΗΡΩΣΗΣ ΨΥΓΓΕΙΟΥ	BUJÃO DE ENCHIMENTO DO RADIADOR	JÄÄHDYTTIMEN TÄYTTÖTULPPA
RADIATOR HOSE	RADIATORSLANGE	KØLERSLANGE	ΕΛΑΣΤΙΚΟΣ ΣΩΛΗΝΑΣ ΨΥΓΓΕΙΟΥ	MANGUEIRA DO RADIADOR	JÄÄHDYTTIMEN LETKU
RADIATOR PIPE	RADIATORRØR	KØLERRØR	ΣΩΛΗΝΑΣ ΨΥΓΓΕΙΟΥ	CANO DO RADIADOR	JÄÄHDYTTINPUTKI
RADIATOR TUBE	RADIATORRØR	KØLERRØR	ΣΩΛΗΝΑΣ ΨΥΓΓΕΙΟΥ	TUBO DO RADIADOR	JÄÄHDYTTINPUTKI
RAIL	SKINNE	KROG/SKINNE	ΡΑΓΑ	CALHA	ASENUSKISKO
RAIL SUPPORT	SKINNESTØTTE	SKINNESTØTTE	ΥΠΟΣΤΗΡΙΓΜΑ ΡΑΓΑΣ	SUPORTE DE CALHA	KISKON KANNATIN
RAINCAP	REGNLOK	REGNLÅG	ΣΚΕΛΙΑΣΤΡΟ	CAPOTA	HATTU
RANGE CHART	DIAGRAM FUNKSJONSOMRÅDE	R-KORT	ΠΙΝΑΚΑΣ ΤΙΜΩΝ	GRÁFICO DE AMPLITUDES	MITTATAULUKKO
RATCHET	SPERREHAGE	SPÆRREHAGE	ΚΑΣΤΑΝΙΑ	ENGRENAGEM DENTADA	PIDÄTINNAKA
RATCHET ROLLER	SPERRERULL	SPÆRRETROMLE	ΚΑΣΤΑΝΙΩΤΟ ΡΑΟΥΛΟ	ROLO DE ENGRENAGEM DENTADA	PIDÄTINRULLA
RATCHET WHEEL	MERKEDATA-PLUGG	SPÆRREHJUL	ΚΑΣΤΑΝΙΩΤΟΣ ΤΡΟΧΟΣ	RODA DE ENGRENAGEM DENTADA	PIDÄTINPYÖRÄ
REACTOR	REAKTOR	DROSSEL-SPOLE	ΑΝΤΙΑΡΣΤΗΡΑΣ	REACTOR	KURISTIN
REAR	BAKRE	BAGSIDE	ΠΙΣΩ	TRASEIRO	TAKA
RECEIVER	BEHOLDER	BEHOLDER	ΣΥΛΛΕΚΤΗΣ	RESERVATÓRIO	SÄILIÖ
RECEPTACLE	BEHOLDER	BEHOLDER	ΥΠΟΔΟΧΕΑΣ	RECIPIENTE	SÄILIÖ
RECOND. SET	OVERHALINGSSETT	REPARATIONSSÆT	ΣΕΙΡΑ ΕΞΑΡΤΗΜΑΤΩΝ ΑΝΑΚΑΤΑΣΚΕΥΗΣ	JOGO DE RECONDICIONAMENTO	KORJAUSARJA
RECTIFIER	LIVERRETTER	ENSRETTERRØR	ΑΝΟΡΘΩΤΗΣ	RECTIFICADOR	TASASUUNTAJA
RED SOFT COPPER	MYKT RØDT KOPPER	BLØDT RØDKOBBER	ΚΟΚΚΙΝΟΣ ΜΑΛΑΚΟΣ ΧΑΛΚΟΣ	COBRE VERMELHO-MAÇIO	PUNAKUPARI
RED. NUT	REDUKSJONSMUTTER	REDUKTIONSMØTRIK	ΠΕΡΙΚΟΧΑΙΟ ΜΕΙΩΤΗΡΑ	PORCA REDUTORA	SUPISTUSMUTTERI
RED. RING	REDUKSJONSRING	REDUKTIONSRING	ΔΑΚΤΥΛΙΟΣ ΜΕΙΩΤΗΡΑ	ANEL REDUTOR	SUPISTUSRENGAS
RED. SLEEVE	REDUKSJONSHYLSE	REDUKTIONSMUFFE	ΧΤΙΩΝΙΟ ΜΕΙΩΤΗΡΑ	MANGA REDUTORA	SUPISTUSHOLKKI
REDUCER	REDUKSJONSVENTIL	REDUKTIONSANORDNING	ΜΕΙΩΤΗΡΑΣ	REDUTOR	SUPISTUSKAPPALE
REDUCER ELBOW	REDUKSJONSKNÆ	REDUKTIONSKNÆ	ΓΩΝΙΑ ΜΕΙΩΤΗΡΑ	REDUTOR EM COTOVELO	KULMASUPISTUSYHDE
REDUCING COUPLING	REDUKSJONSKOPLING	REDUKTIONSKOBLING	ΣΥΝΔΕΣΜΟΣ ΜΕΙΩΤΗΡΑ	ACOPLEMENTO REDUTOR	SUPISTUSLIITOS
REDUCING NUT	REDUKSJONSMUTTER	REDUKTIONSMØTRIK	ΠΕΡΙΚΟΧΑΙΟ ΜΕΙΩΤΗΡΑ	PORCA DE REDUÇÃO	SUPISTUSMUTTERI
REDUCING PLATE	REDUKSJONSPLATE	REDUKTIONSPLADE	ΕΛΑΣΜΑ ΜΕΙΩΤΗΡΑ	PLACA DE REDUÇÃO	SUPISTUSLEVY
REDUCING RING	REDUKSJONSRING	REDUKTIONSRING	ΔΑΚΤΥΛΙΟΣ ΜΕΙΩΤΗΡΑ	ANEL DE REDUÇÃO	SUPISTUSRENGAS
REDUCING SLEEVE	REDUKSJONSHYLSE	REDUKTIONSMUFFE	ΧΤΙΩΝΙΟ ΜΕΙΩΤΗΡΑ	MANGA DE REDUÇÃO	SUPISTUSMUHVI
REDUCING SOCKET	REDUKSJONSHYLSE	REDUKTIONSMUFFE	ΥΠΟΔΟΧΗ ΜΕΙΩΤΗΡΑ	ENCAIXE DE REDUÇÃO	SUPISTUSHOLKKI
REDUCING WASHER	REDUKSJONSSKIVE	REDUKTIONSSKIVE	ΡΟΔΕΛΑ ΜΕΙΩΤΗΡΑ	ANILHA DE REDUÇÃO	SUPISTUSLAATTA
REEL	HASPEL	HASPEL	ΜΠΟΜΠΙΝΑ, ΚΑΡΟΥΛΑ	CARRETEL	KELA
REFLECTOR	REFLEKTOR	REFLEKTOR	ΑΝΑΚΑΛΗΤΗΡΑΣ	REFLECTOR	HEIJASTIN
REFRIGERANT COMPR.	KJØLEKOMPRESSOR	KØLEKOMPRESSOR	ΨΥΚΤΙΚΟ ΜΕΣΟΣΥΜΠΛΗΣΣΤΗ	COMPRESSÃO DE REFRIGERANTE	JÄÄHDYTYSKOMPRESSORI
REGENERATION PIPE	RØR	RØR	ΣΩΛΗΝΑΣ ΑΝΑΠΑΤΩΓΗΣ	TUBO DE REGENERAÇÃO	PUTKI
REGULATING VALVE	REGULERINGSVENTIL	REGULERINGSVENTIL	ΡΥΘΜΙΣΤΙΚΗ ΒΑΛΒΙΔΑ	VÁLVULA REGULADORA	SÄÄTÖVENTTILI
REGULATOR	REGULATOR	REGULATOR	ΡΥΘΜΙΣΤΗΣ	REGULADOR	SÄÄDIN
REHEATER	ETTERVARMER	EFTERBRÆNDER	ΑΝΑΘΕΡΜΑΝΤΗΡΑΣ	REaquecedor	JÄLKILÄMMITIN
REINFORCEMENT PLATE	FORSTERKINGSPLATE	FORSTÆRKNINGSPLADE	ΕΝΔΥΤΙΚΟ ΕΛΑΣΜΑ	PLACA DE REFORÇO	VAHVISTUSLEVY
REINFORCEMENT STRIP	FORSTERKINGSLISTE	FORSTÆRKNINGSLISTE	ΕΝΔΥΤΙΚΗ ΤΑΙΝΙΑ	FAIXA DE REFORÇO	VAHVISTUSLIUSKA
RELAY	RELÉ	RELÆ	ΡΕΛΕ	RELÉ	RELE
RELAY BOX	RELÉBOKS	RELÆKASSE	ΚΟΥΤΙ ΡΕΛΕ	CAIXA DE RELÉ	RELEKOTILO
RELAY SOCKET	RELÉHOLDER	RELÆMUFFE	ΥΠΟΔΟΧΗ ΡΕΛΕ	ENCAIXE DE RELÉ	RELEEN LIITIN
RELEASE VALVE	UTLØSERVENTIL	UDLØSERVENTIL	ΒΑΛΒΙΔΑ ΑΠΕΛΕΥΘΕΡΩΣΗΣ	VÁLVULA DE SEGURANÇA	POISTOVENTTILI
RELIEF VALVE	SIKKERHETSVENTIL	OVERTRYKSVENTIL	ΑΝΑΚΟΥΦΙΣΤΙΚΗ ΒΑΛΒΙΔΑ	VÁLVULA DE DESCARGA	KEVENNYSVENTTILI
REMOTE CONTROL	FJERNKONTROLL	FJERNBETJENING	ΤΗΛΕΧΕΙΡΙΣΤΗΡΙΟ	COMANDO REMOTO	KAUKOSÄÄTÖ
REMOTE PANEL	FJERNPANEL	FJERNPANEL	ΤΗΛΕΧΕΙΡΙΣΤΗΡΙΟ	PAINEL REMOTO	KAUKOSÄÄTÖTAULU
REPAIR KIT	VERKTØYKASSE	REPARATIONSSÆT	ΣΕΙΡΑ ΕΞΑΡΤΗΜΑΤΩΝ ΕΠΙΣΚΕΥΗΣ	JOGO DE REPARAÇÃO	KORJAUSARJA
RESERVE TANK	RESERVETANK	RESERVETANK	ΕΦΕΔΡΙΚΗ ΔΕΞΑΜΕΝΗ	TANQUE DE RESERVA	VARASÄILIÖ
RESISTOR	MODSTAND	MODSTAND	ΑΝΤΙΣΤΑΣΗ	RESISTÊNCIA	VASTUSELEMENTTI
RESTRICTOR	STRØMNINGSBEGRENSER	KONTROL	ΠΕΡΙΟΡΙΣΤΗΣ	RESTRICTOR	RAJOITIN
RESTRICTOR VALVE	STRØMNINGSBEGRENSERVENTIL	KONTROLVENTIL	ΠΕΡΙΟΡΙΣΤΙΚΗ ΒΑΛΒΙΔΑ	VÁLVULA RESTRICTORA	RAJOITINVENTTILI
RESTRICTOR WASHER	HOLDERAMME	KONTROLSKIVE	ΡΟΔΕΛΑ ΠΕΡΙΟΡΙΣΤΗ	ANILHA DO LIMITADOR	RAJOITIN
RETAINER	HOLDEBREMSE	HOLDER	ΣΥΓΚΡΑΤΗΤΗΡΑΣ	RETENTOR	PIDIN
RETAINING RING	LÅSERING	LÅSERING	ΔΑΚΤΥΛΙΟΣ ΣΥΓΚΡΑΤΗΣΗΣ	ANEL DE RETENÇÃO	PIDÄTINRENGAS
RETAINING SPRING	LÅSEFØJER	SPÆRREFJEDER	ΕΛΑΤΗΡΙΟ ΣΥΓΚΡΑΤΗΣΗΣ	MOLA RETENTORA	PIDÄTYSOUSI
RH (RIGHT-HAND)	HØYRE SIDE	HØYRE HÅND	ΔΕΞΙΑ	DIREITO	OIKEA
RHEOSTAT	REOSTAT	(RHEOSTAT) VARIABELMODSTAND	ΡΟΕΣΤΑΤΗΣ	REOSTATO	SÄÄTÖVASTUS
RIM	FELG	FÆLG	ΣΤΕΦΑΝΗ	ARO	VANNE
RING	RING	RING	ΔΑΚΤΥΛΙΟΣ	ANEL	RENGAS
RIVET	NAGLE	NITTE	ΚΑΡΦΙ, ΗΛΟΣ, ΠΙΠΣΙΝΙ	REBITE	NIITTI
ROAD AXLE	VEIAKSEL	HJULAKSEL	ΑΞΟΝΑΣ ΤΡΟΧΩΝ	EIXO RODOVIÁRIO	AKSELI
ROAD SIGNALISATION	VEIMERKING	VEISKILT	ΣΗΜΑΝΣΗ ΑΠΟΜΟΥ	SINALIZAÇÃO RODOVIÁRIA	LIKENNETURVAVARUSTUS
ROCKER COVER	RULLEDEKSEL	GÆNGEBESKYTTELSE	ΚΑΛΥΜΜΑ ΑΙΩΣΤΗΡΑ	TAMPA DE BALANCEIROS	KÄÄNTÖKANSI
ROCKWOOL	MINERALULL	MINERALULD	ΠΕΤΡΟΒΑΜΒΑΚΑΣ	LÁ DE ROCHA	MINERAALIVILLA
ROD	RÅDE	STANG	ΠΑΒΟΣ	HASTE	TANKO
ROD CONNECTION	RÅDETILKOPLING	STANGTILKOBLING	ΣΥΝΔΕΣΗ ΠΑΒΟΥ	UNIÃO DA HASTE	TANKOLITOS
ROD EYE	RÅDEØYE	STANGØJE	ΔΑΚΤΥΛΙΟΣ ΠΑΒΟΥ	OLHAL DA HASTE	TANGON SILMUKKA

ENGLISH	NEDERLANDS	FRANCAIS	DEUTSCH	ESPAÑOL	SVENSKA	ITALIANO
ROLLER	ROL	ROULEAU	ROLLE	RODILLO	RULLE	RULLO
ROLLER BEARING	WENTELLAGER	ROULEMENT DU ROULEAU	ROLLENLAGER	COINETE DE RODILLO	RULLAGER	CUSCINETTO DEL RULLO
ROOF	DAK	TOIT	DACH	TECHO	TAK	TETTO
ROTATING DIODE BRIDGE	DRAAIENDE DIODENBRUG	PONT DE DIODES TOURNANT	DREHDIODENBRÜCKE	PUNTE DE DIODOS GIRATORIO	ROTERAENDE DIODBYGGGA	PONTE DEL DIODO ROTANTE
ROTATION ARROW	ROTATIEPIJL	FLECHE DE ROTATION	DREHRICHTUNGSPFEIL	FLECHA DE ROTACIÓN	ROTATIONSPIL	FRECCIA DI ROTAZIONE
ROTOR	ROTOR	ROTOR	LÄUFER	ROTOR	ROTOR	ROTORE
ROTOR HOUSING	ROTORHUIS	LOGEMENT DE ROTOR	LÄUFERGHÄUSE	CARCASA DEL ROTOR	ROTORHUS	ALLOGGIAMENTO ROTORI
ROTOR SET	ROTORSET	JEU DE ROTOR	LÄUFERSATZ	JUEGO DE ROTORES	ROTORSETS	COPIA DI ROTORI
ROUND BAR	STANG	BARRE RONDE	RUNDE STANGE	BARRA REDONDA	RUNDSTÅNG	BARRA ROTONDA
RUBBER	RUBBER	CAOUTCHOUC	GUMMI	CAUCHO	GUMMI	GOMMA
RULER	LINEAAL	REGLE	LINEAL	REGLA	LINJAL	RIGATRICE
RUN CAPACITOR	BEDRIJFSCONDENSATOR	CONDENSATEUR DE SERV.	BETRIEBSKONDENS.	CONDENSADOR DE SERVICIO	DRIFTSKONDENSATOR	COND. DI FUNZIONAMENTO

S

SAFETY CABLE	VEILIGHEIDSKABEL	CABLE DE SECURITE	SICHERHEITSKABEL	CABLE DE SEGURIDAD	SÄKERHETSKABEL	CAVO DI SICUREZZA
SAFETY CARTRIDGE	VEILIGHEIDSPATROON	CARTOUCHE DE SECURITE	SICHERHEITSPATRONE	CARTUCHO DE SEGURIDAD	SÄKERHETSPATRON	CARTUCCIA DI SICUREZZA
SAFETY CONTROL	VEILIGHEIDSGELING	CONTROLE DE SECURITE	SCHUTZMASSNAHMEN	CONTROL DE SEGURIDAD	SÄKERHETSKONTROLL	CONTROLLO DI SICUREZZA
SAFETY ELEMENT	VEILIGHEIDSELEMENT	CARTOUCHE, SECURITE	SICHERHEITSELEMENT	EL. DE SEGURIDAD	SÄKERHETSELEMENT	ELEMENTO DI SICUREZZA
SAFETY FILTER ELEMENT	VEILIGHEIDSFILTERELEMENT	EL. FILTRAGE DE PROTECTION	SICHERHEITSFILTERELEMENT	ELEMENTO DEL FILTRO DE SEGURIDAD	SÄKERHETSFILTERELEMENT	ELEMENTO FILTRANTE DI SICUREZZA
SAFETY LABEL	VEILIGHEIDSPLAATJE	LABEL DE SECURITE	SICHERHEITSSCHILD	ETIQUETA DE SEGURIDAD	SÄKERHETSSKYLT	ETICHETTA DI SICUREZZA
SAFETY PRECAUTIONS	VEILIGHEIDSVORSCHRIFTEN	PRECAUTIONS DE SECURITE	SICHERHEITSMASSNAHMEN	PRECAUCIONES DE SEGURIDAD	SÄKERHETSÅTGÄRDER	PRECAUZIONI DI SICUREZZA
SAFETY RELAY	VEILIGHEIDSMAGNET	RELAIS DE SECURITE	SICHERHEITSMAGNET	RELÉ DE SEGURIDAD	SÄKERHETSRELÄ	RELE' DI SICUREZZA
SAFETY VALVE	VEILIGHEIDSKLEP	SOUPAPE DE SURETE	SICHERHEITSVENTIL	VÁLV. DE SEGURIDAD	SÄKERHETSVENTIL	VALVOLA DI SICUREZZA
SAFETY WALK	ANTI-SLIP	BANDE ANTI-DÉRAPANTE	RUTSCHFESTSTREIFEN	TIRA ANTIDESLIZANTE	HALSKSYDD	PERCORSO DI SICUREZZA
SCAVENGE LINE	RETOURLEIDING	CONDUIT DE RETOUR	RÜCKLAUFLEITUNG	CONDUCTOR DE RETORNO	RETURLEDNING	LINEA DI RECUPERO
SCAVENGE PIPE	RETOURLEIDING	TUYAU DE RETOUR	RÜCKLAUFROHR	TUBERÍA DE BARRIDO	SPOLRÖR	TUBO DI RITORNO DELL'OLIO
SCRAPER BOLT	SCHRAPER	RACLEUR	ABSTREIFBOLZEN	PERNO DEL RASCADOR	SKRÄVBULT	RASCHIATORE
SCRAPER RING	OLIESCHRAAPRING	SEGMENT RACLEUR	ABSTREIFRING	ANILLO RASCADOR	SKRAPRING	ANELLO RASCHIATORE
SCREEN	SCHERM	GRILLE	SCHIRM	REJILLA	GALLER	SCHERMO
SCREW	SCHROEF	VIS	SCHRAUBE	TORNILLO	SKRUV	VITE
SCREW COUPLING	SCHROEFKOPPELING	ACCOUPEMENT A VIS	SCHRAUBKUPPLUNG	ACOPLAMIENTO ROSCADO	SKRUVKOPPLING	TENDITORE A VITE
SCREW DRIVER	SCHROEVENDRAAIER	TOURNEVIS	SCHRAUBENZIEHER	DESTORNILLADOR	SKRUVMEISEL	CACCIAVITE
SCREW HEXAGON HEAD	ZESKANTSCHROEF	VIS A TETE HEXAGONALE	SECHSKANTSCHRAUBE	CABEZA HEXAGONAL DEL TORNILLO	SEXKANTSSKRUV	TESTA ESAGONALE A VITE
SCREWED FLANGE	SCHROEFENFLANS	BRIDE VISSEE	VERSCHRAUBTER FLANSCH	PERNO FILETEADO	GÅNGAD FLÅNS	FLANGIA AVVITATA
SCREWED STUD	VERBINDINGSBOUT	GOUPILLE VISSE	SCHRAUBBOLZEN	ESPÁRRAGO FILETEADO	GÅNGAD PINNBULT	PRIGIONIERO
SEAL	AFDICHTING	JOINT	DICHTUNG	JUNTA	TÄTNING	GUARNIZIONE
SEAL CORD	AFDICHTINGSSNOER	FICELLE, OBTURATION	DICHTUNGSSCHNUR	CUERDA DE ESTANCAM.	TÄTNINGSTRÅD	CORDA DI TENUTA
SEAL DISC	AFDICHTINGSSCHIJF	DISQUE D'ETANCHEITE	DICHTUNGSSCHEIBE	DISCO DE SELLADO	TÄTNINGSSKIVA	DISCO DI TENUTA
SEAL FRAME	AFDICHTINGSRAAM	CHASSIS D'ETANCHEITE	DICHTUNGSRahmen	MARCO DE SELLADO	TÄTNINGSRAM	TELAI DI TENUTA
SEAL HOUSING	AFDICHTINGSHUIS	CARTER, ETANCHEITE	DICHTUNGSGEHÄUSE	CAJA DE ESTANCAM.	TÄTNINGSHUS	ALLOGGIAMENTO DI TENUTA
SEAL NILOS	NILOS AFDICHTING	ETANCHEITE NILOS	NILOS DICHTUNG	ANILLO DEL STANCAM NILOS	TÄTNINGSRING NILOS	ANELLO DI TENUTA NILOS
SEAL PANEL	AFDICHTINGSPANEEL	PANNEAU D'ETANCHEITE	DICHTUNGSPÄCHE	PANEL DE SELLADO	TÄTNINGSPANEL	PANNELLO DI TENUTA
SEAL PLATE	AFDICHTINGSPLAAT	PLAQUE D'ETANCHEITE	DICHTUNGSPLATTE	PLACA DE SELLADO	TÄTNINGSPLÅT	PIASTRA DI TENUTA
SEAL PROFILE	AFDICHTINGSPROFIEL	PROFIL D'ETANCHEITE	DICHTUNGSPROFIL	PERFIL DE SELLADO	TÄTNINGSPROFIL	PROFLO DI TENUTA
SEAL RETAINER	AFDICHTINGSHOUDER	ARRETOIR ETANCHEITE	HALTER, DICHTUNG	RETÉN DE ESTANCAM.	TÄTNINGSHÅLLARE	FERMO PER LA TENUTA
SEAL RING	AFDICHTINGSRING	BAGUE D'ETANCHEITE	DICHTUNGSRING	ANILLO DE ESTANCAM.	TÄTNINGSRING	ANELLO DI TENUTA
SEAL SECTOR	AFDICHTINGSSECTOR	SECTEUR D'ETANCHEITE	DICHTUNGSSEKTOR	SECTOR ESTANCO	TÄTNINGSSEKTOR	SETTORE DI TENUTA
SEAL STRIP	AFDICHTINGSSTRIP	JOINT	DICHTUNGSSTREIFEN	TIRA DE ESTANCAM.	TÄTNINGSBAND	GUARNIZIONE
SEAL WASHER	AFDICHTINGSPLAATJE	RONDELLE ETANCHEITE	DICHTUNGSSCHEIBE	ARAND. DE ESTANCAM.	TÄTNINGSBRICKA	RONDELLA DI TENUTA
SEALING	AFDICHTING	ETANCHEMENT	ABDICHTUNG	SELLADO	TÄTNING	CHIUSURA A TENUTA
SEALING COMPOUND	AFDICHTINGSPASTA	PÂTE D'ETANCHEITE	DICHTUNGSMASSE	PASTA SELLANTE	TÄTNINGSMASSA	COMPOSTO ERMETICO
SEALING PLUG	AFDICHTINGSPRUG	BOUCHON ETANCHEMENT	VERSCHLUSS	ENCHUFE DE SELLADO	RÖRPROPP	TAPPO DI TENUTA
SEALING WASHER	AFDICHTINGSSCHIJF	RONDELLE D'ETANCHEITE	DICHTUNGSSCHEIBE	ARANDELA OBTURADORA	TÄTNINGSBRICKA	RONDELLA ISOLANTE
SEARCH LIGHT	ZOEKLICHT	FAISCEAU LUMINEUX	SCHENWERFER	LUZ DE BÚSQUEDA	SÖKARLYKTA	LUCE DI CONTROLLO
SEAT	ZITTING	SIÈGE	SITZ	ASIENTO	SÄTE	SEDE
SEE FOOTNOTE	ZIE VOETNOT	VOIR NOTE	SIEHE FUSSNOTE	VÉASE NOTA AL PIE	SE FOTNOT	VEDERE NOTA A FONDO PAGINA
SELECTOR SWITCH	KEUZESCHAKELAAR	SELECTEUR	WAHLSCHALTER	SELECTOR	VÄLJARE	INTERRUPTORE DI SELEZIONE
SENDING UNIT	RELAISBLOK	BLOC DE RELAIS	RELAISBLOCK,SENDEEINHEIT	BLOQUE DE RELÉ	RELÄBLOCK	UNITÀ TRASMETTENTE
SENSOR	SENSOR	DETECTEUR	FÜHLER	SENSOR	GIVARE	SENSORE
SEPARATOR	AFSCHEIDER	SEPARATEUR	AFSCHEIDER	SEPARADOR	AVSKILJARE	SEPARATORE
SEPARATOR ELEMENT	ELEMENT AFSCHEIDER	ELEMENT DE SEPARATEUR	SEPARATOR ELEMENT	ELEMENTO SEPARADOR	AVSKILJARELEMENT	ELEMENTO SEPARATORE
SEQUENCE SELECTOR	PROGR. SCHAKELAAR	SELECTEUR DE SEQUENCE	FOLGESCHALTER	SELECT. DE SECUENCIA	SEKVENSVÄLJARE	SELETORE DI SEQUENZA
SERTO COUPLING	SERTOKOPPELING	ACCOUPEMENT SERTO	SERTO KUPPLUNG	ACOPLAMIENTO SERTO	SERTOKOPPLING	SERTO SERTO
SERVICE KIT	SERVICE KIT	KIT D'ENTRETIEN	SERVICE KIT	KIT DE SERVICIO	SERVICE KIT	KIT DI MANUTENZIONE
SERVICE PAK	SERVICE PAK	PAQUET D'ENTRETIEN	SERVICIESATZ	PAQUETE DE SERVICIO	SERVICEPAKET	PACCO DI ASSISTENZA
SERVICE PLATE	ONDERHOUDSPLAAT	PLAQUE D'ENTRETIEN	SERVICEPLATTE	PLACA DE SERVICIO	SERVICEPLÅT	PIASTRA DI ASSISTENZA
SERVICE STAGE	ELEMENT	ELEMENT D'ENTRETIEN	ELEMENT	ETAPA DE SERVICIO	ELEMENT	STADIO DI SERVIZIO
SET	SET	JEU	SATZ	JUEGO	SATS	SERIE
SET SCREW	STELSCHROEF	VIS DE REGLAGE	STELLSCHRAUBE	TORNILLO DE AJUSTE	STÅLLSKRUV	VITE DI FERMO
SHACKLE	BEUGEL	ETRIER	BÜGEL	GRILLETE	BYGEL	ANELLO DI TRAZIONE
SHAFT	AS	ARBRE	WELLE	EJE	AXEL	ALBERO
SHAFT CENTRE	CENTERPUNT	CENTRE DE L'ARBRE	WELLENMITTE	CENTRO DEL ESTATOR	AXELMITT	CENTRO DELL'ALBERO
SHEET	VEL	PLAQUE, FEUILLE	PLATTE	HOJA	BLAD	LAMIERA
SHELL	SCHAAL	ENVELOPPE	GEHÄUSE	REVESTIMIENTO	HÖLJE	GUSCIO
SHIELD	AFSCHERMING	PROTECTION	ABSCHIRMUNG	PROTECCIÓN	SKYDD	PROTEZIONE
SHIM	VULRING	CALE	BEILAGE	CUÑA	MELLANLÄGG	SPESSORE
SHIM RING	VULRING	ANNEAU DE CALAGE	BEILEGERING/PASSSCHEIBE	ANILLO DE RELLENO	MELLANLÄGGSRING	ANELLO DI SPESSORE
SHOCK ABSORBER	SCHOKDEMPEER	PARÉ-CHOC	STOSSDÄMPFER	AMORTIGUADOR	STÖTDÄMPARE	AMMORTIZZATORE
SHOE	SCHOEN	SABOT	SCHUH	ZAPATA	SKO	GANASCIA
SHORTBLOCK	SHORTBLOCK	BLOC	KÜRZER BLOCK	BLOQUE CORTO	KORTBLOCK	BASAMENTO MANCANTE
SHRINKING HOSE	KRIMPSLANG	FLEXIBLE DE RETRAIT	SCHRUMPFSCHLAUCH	TUBODEBMANGADOENCALIENTE	KRYMPSLANG	TUBO FLESSIBILE DI RITIRO
SHROUD	BESCHERMHOES	HOUSSE	SCHUTZHAUBE	REFUERZO	SKYDD	RIPARO
SHUT DOWN DEVICE	AFSCHAKELAPPARAAT	DISPOSITIF D'ARRÊT	ABSCHALTER	DISPOSITIVO DE APAGADO	AVSTÄNGNINGSANORDNING	DISPOSITIVO DI ARRESTO
SHUT DOWN LEVER	AFSCHAKELHEFBOOM	LEVIER D'ARRÊT	ABSCHALTHEBEL	PALANCA DE APAGADO	AVSTÄNGNINGSSPAK	LEVA DI ARRESTO
SHUT-OFF VALVE	AFSLUITER	VANNE D'ARRÊT	ABSPERRVENTIL	VÁLVULA DE CIERRE	AVSTÄNGN. VENT.	VALVOLA DI ARRESTO
SHUTTLE VALVE	KEUZEKLEP	VANNE SELECTRICE	WECHSELVENTIL	VÁLV. LANZADERA	SKYTTLEVENTIL	VALVOLA ALTERNATRICE
SIDE DOOR	ZIJDEUR	PORTE LATÉRALE	SEITENTÜR	PUERTA LATERAL	SIDODÖRR	PORTA LATERALE
SIDE DUCT	ZIJKANAAL	TUYAU LATÉRAL	SEITENLEITUNG	CONDUCTO LATERAL	SIDOKANAL	CONDOTTO LATERALE
SIDE PANEL	ZIJPANEEL	PANNEAU LATÉRAL	SEITENWAND	PANEL LATERAL	SIDOPANEL	PANNELLO LATERALE
SIDE PART	ZIJDEEL	PIECE LATÉRALE	SEITENTEIL	PIEZA LATERAL	SIDDEL	PARTE LATERALE
SIDE PLATE	ZIJPLAAT	PLAQUE LATÉRALE	SEITENPLATTE	PLACA LATERAL	SIDOPLÅT	PIASTRA LATERALE
SIDE WALL	ZIJWAND	PAROI	SEITENWAND	PARED LATERAL	SIDOVÄGG	MURO LATERALE
SIGHT GLASS	KIJKGLAS	CUVETTE	SCHAUGLAS	MIRILLA	SYNGLAS	VETRO SPIA
SIGNAL LAMP	GETUGELAMP	VOYANT TEMOIN	SIGNALLAMPE	LÁMPARA DE SEÑALIZ.	SIGNALLAMPA	SIMPEGGIATORE
SILENCER	GELUIDDEMPEER	SILENCIEUX	SCHALLDÄMPFER	SILENCIADOR	LJUDDÄMPARE	SILENZIATORE
SILENCER INSERT	INZETSTUK GELUIDDEMPEER	INSERTION DE SILENCIEUX	SCHALLDÄMPUNGSEINSATZ	INSERTION DE SILENCIADOR	LJUDDÄMPARINSATS	INSERTO SILENZIATORE
SILENCING FOAM	GELUIDDEMPEND SCHUIM	MOUSSE INSONORISANTE	SCHALLD. SCHAUM	ESPUMA SILENC.	LJUDD. SKUM	SCHUMA FONOSSORBENTE
SILENCING HOOD	GELUIDDEMPEND DEKSEL	CHAPEAU DE SILENCIEUX	SCHALLDÄMPUNG	CAPÓ SILENCIADOR	LJUDDÄMPARHUV	CAPPA DI SILENZIAMENTO
SILENCING KIT	GELUIDDEMPINGSSET	JEU DE SILENCIEUX	SCHALLD.-SATZ	KIT SILENCIADOR.	LJUDD.SATS	KIT PER IL SILENZIAMENTO

ENGLISH	NORSK	DANSK	ΕΛΛΗΝΙΚΑ	PORTUGUÊS	SUOMI
ROLLER	RULL	RULLE	ΡΑΟΥΛΟ, ΚΥΛΙΝ ΑΡΟΣ	ROLO	RULLA
ROLLER BEARING	RULLEMEMBRAN	RULLELEJE	ΣΦΑΙΡΙΚΟ ΡΟΥΛΕΜΑΝ	ROLAMENTO ESFÉRICO	RULLALAAKERI
ROOF	TAK	TAG	ΟΡΟΦΗ	TELHADO	KATTO
ROTATING DIODE BRIDGE	DREIBAR DIODEBRO	ROTARENDE DIODEBRO	ΠΕΡΙΣΤΡΕΦΟΜΕΝΗ ΓΕΦΥΡΑ ΔΙΟΔΟΥ	PONTE DE DIODOS ROTATIVA	PYÖRIVÄ DIODISILTA
ROTATION ARROW	ROTASJONSPIL	ROTATIONSPIL	ΒΕΛΟΣ ΠΕΡΙΣΤΡΟΦΗΣ	SETA DE ROTAÇÃO	PYÖRIMISSUUNTANUOLI
ROTOR	ROTOR	ROTOR	ΡΟΤΟΡΑΣ, ΣΤΡΟΦΕΙΟΥ	ROTOR	ROOTTORI
ROTOR HOUSING	ROTORHUS	ROTORHUS	ΚΕΛΥΦΟΣ ΣΤΡΟΦΕΙΟΥ	CARCAÇA DO ROTOR	ROOTTORIKOTELO
ROTOR SET	ROTORSETT	ROTORSET	ΣΕΙΡΑ ΕΞ ΑΡΤΗΜΑΤΩΝ ΣΤΡΟΦΕΙΟΥ	CONJUNTO DO ROTOR	ROOTTORISARJA
ROUND BAR	RUND STANG	RUND STANG	ΣΤΡΟΤΥΓΑΗ ΜΠΑΡΑ	VARÃO DE FERRO	TANKO
RUBBER	GUMMI	GUMMI	ΕΛΑΣΤΙΚΟ	BORRACHA	KUMI
RULER	LINJAL	LINEAL	ΚΑΝΟΝΑΣ	RÉGUA	VIVAIN
RUN CAPACITOR	SALSTYKKEBOSS	DRIFTSKONDENSATOR	ΗΥΚΝΩΤΗΣ ΡΟΗΣ	CONDENSADOR DE SERVIÇO	KÄYNTIKONDENSAATTORI

S

SAFETY CABLE	SIKKERHETSKABEL	SIKKERHEDSKABEL	ΚΑΛΩΔΙΟ ΑΣΦΑΛΕΙΑΣ	CABO DE SEGURANÇA	TURVAKAAPPELI
SAFETY CARTRIDGE	SIKKERHETSPATRON	SIKKERHEDSPATRON	ΑΣΦΑΛΕΙΑ	CARTUCHO DE SEGURANÇA	VARMUUSPATRUUNA
SAFETY CONTROL	SIKKERHETSKONTROLL	SIKKERHEDSKONTROLL	ΣΥΣΤΗΜΑ ΕΛΕΓΧΟΥ ΑΣΦΑΛΕΙΑΣ	COMANDO DE SEGURANÇA	TURVAJÄRISTELMÄ
SAFETY ELEMENT	SIKKERHETSSELEMENT	SIKKERHEDSELEMENT	ΣΤΟΙΧΕΙΟ ΑΣΦΑΛΕΙΑΣ	ELEMENTO DE SEGURANÇA	TURVALAITE
SAFETY FILTER ELEMENT	SIKKERHETSFILTERELEMENT	SIKKERHEDSFILTERELEMENT	ΣΤΟΙΧΕΙΟ ΦΙΛΤΡΟΥ ΑΣΦΑΛΕΙΑΣ	ELEMENTO DO FILTRO DE SEGURANÇA	SUODATTIMEN VARMUUSPATRUUNA
SAFETY LABEL	SIKKERHETSMERKE	SIKKERHEDSLABEL	ΠΙΝΑΚΙΔΑ ΑΣΦΑΛΕΙΑΣ	ETIQUETA DE SEGURANÇA	TURVAKILPI
SAFETY PRECAUTIONS	SIKKERHETSREGLER	SIKKERHEDSFORSKRIFTER	ΜΕΤΡΑ ΑΣΦΑΛΕΙΑΣ	PRECAUÇÕES DE SEGURANÇA	TURVATOIMET
SAFETY RELAY	SIKKERHETSRELE	SIKKERHEDSRELE	ΡΕΛΕ ΑΣΦΑΛΕΙΑΣ	RELÉ DE SEGURANÇA	TURVARELE
SAFETY VALVE	SIKKERHETSVENTIL	SIKKERHEDSVENTIL	ΒΑΛΒΙΔΑ ΑΣΦΑΛΕΙΑΣ	VÁLVULA DE SEGURANÇA	VAROVINTILLI
SAFETY WALK	SIKKERHETSPOSE	SIKKERHEDSSTI	ΠΟΡΕΙΑ ΑΣΦΑΛΕΙΑΣ	REVESTIMENTO ANTIDERRAPANTE	LIUKASTUMISSUOJA
SCAVENGE LINE	UTLUFTINGSLINJE	SKYLLEFTSLØSNINGRETURLEDNING	ΣΩΛΗΝΑΣ ΑΚΑΘΑΡΤΩΝ	LINHA DE RETORNO	PALUUIHOHTO
SCAVENGE PIPE	UTLUFTINGSRØR	UDLUFTINGSRØR	ΣΩΛΗΝΑΣ ΑΚΑΘΑΡΤΩΝ	TUBO DE LIMPEZA	PALUUIHOHTO
SCRAPER BOLT	SKRAPEBOLT	SKRABERBOLT	ΚΟΧΛΙΑΣ ΑΠΟΞΕΣΗΣ	PARAFUSO RASCADOR	KAAVINPULTTI
SCRAPER RING	SKRAPERING	SKRABERRING	ΛΑΚΤΥΛΙΟΣ ΑΠΟΞΕΣΗΣ	ANEL DE SEGMENTO	KAAVINRENGAS
SCREEN	GITTER	SKÆRM	ΠΑΡΑΠΕΤΑΣΜΑ	ECRAN	SUOJAVERKKO
SCREW	SKRUE	SKRUE	ΚΟΧΛΙΑΣ	PARAFUSO	RUUVI
SCREW COUPLING	SKRUEKOPLING	SKRUESAML	ΣΥΝΔΕΣΜΟΣ ΚΟΧΛΙΑΣ	ACOPLAMENTO ROSCADO	RUUVILIITIN
SCREW DRIVER	SKRUTREKKER	SKRUTREKKEKKE	ΚΑΤΣΑΒΙΑ	CHAVE DE PARAFUSOS	RUUVITALITTA
SCREW HEXAGON HEAD	SEKSKANTSKRUE	SEKSKANTSKRUE	ΕΞΑΓΩΝΙΚΟΣ ΚΟΧΛΙΑΣ	PARAFUSO DE CABEÇA SEXTAVADA	KUUSIORUUVI
SCREWED FLANGE	SKRUEFLENS	SKRUEFLANG	ΒΙΛΩΤΗ ΦΛΑΝΤΖΑ	FLANGE ROSCADA	RUUVILAIPPA
SCREWED STUD	SKRUPINNE	STIFTSKRUE	ΒΙΛΩΤΟ ΜΠΟΥΓΑΟΝΙ	REBITE ROSCADO	YHDYSRUUVI
SEAL	TETNING	PAKNING	ΣΤΕΓΑΝΩΣΗ	JUNTA DE VEDAÇÃO	TIVISTE
SEAL CORD	TETNINGSSNOR	TÆTNINGSTRÅD	ΚΑΛΩΔΙΟ ΣΤΕΓΑΝΩΣΗΣ	CORDÃO DE VEDAÇÃO	TIVISTENUORA
SEAL DISC	TETNINGSSKIVE	TÆTNINGSSKIVE	ΔΙΣΚΟΣ ΣΤΕΓΑΝΩΣΗΣ	DISCO DE VEDAÇÃO	TIVISTEKIEKKO
SEAL FRAME	TETNINGSRAMME	TÆTNINGSRAMME	ΠΛΑΚΙΟ ΣΤΕΓΑΝΩΣΗΣ	QUADRO DE VEDAÇÃO	TIVISTEKEHYS
SEAL HOUSING	TETNINGSHUS	TÆTNINGSHUS	ΚΕΛΥΦΟΣ ΣΤΕΓΑΝΩΣΗΣ	CAIXA DE VEDAÇÃO	TIVISTEKOTELO
SEAL NILOS	TETNINGSSKROG	TÆTNINGSKROG	ΒΑΘΜΙΑ ΣΤΕΓΑΝΩΣΗΣ	"NILOS" DE VEDAÇÃO	NILOS-TIIVISTE
SEAL PANEL	TETNINGSPANEL	TÆTNINGSPANEL	ΚΑΛΥΜΜΑ ΣΤΕΓΑΝΩΣΗΣ	PAINEL DE VEDAÇÃO	TIVISTYSPANEELI
SEAL PLATE	TETNINGSPLADE	TÆTNINGSPLADE	ΠΛΑΚΑ ΣΤΕΓΑΝΩΣΗΣ	PLACA DE VEDAÇÃO	TIVISTYSTYLEVY
SEAL PROFILE	TETNINGSPROFIL	TÆTNINGSPROFIL	ΣΤΕΓΑΝΩΤΙΚΟ ΕΞ ΑΡΤΗΜΑ	PERFIL DE VEDAÇÃO	TIVISTYSPROFILII
SEAL RETAINER	TETNINGSHOLDER	TÆTNINGSHOLDER	ΣΥΓΚΡΑΤΗΤΗΡΑΣ ΣΤΕΓΑΝΩΣΗΣ	RETENTOR DA JUNTA DE VEDAÇÃO	TIVISTEEN PIDIN
SEAL RING	TETNINGSRING	TÆTNINGSRING	ΛΑΚΤΥΛΙΟΣ ΣΤΕΓΑΝΩΣΗΣ	ANEL DE VEDAÇÃO	TIVISTERENGAS
SEAL SECTOR	TETNINGSSOMRÅDE	TÆTNINGSOMRÅDE	ΤΟΜΕΑΣ ΣΤΕΓΑΝΩΣΗΣ	SECTOR DA JUNTA DE VEDAÇÃO	TIVISTYSPINTA
SEAL STRIP	TETNINGSVENTIL	TÆTNINGSBÅND	ΤΑΙΝΙΑ ΣΤΕΓΑΝΩΣΗΣ	TIRA DE VEDAÇÃO	TIVISTENAUHA
SEAL WASHER	TETNINGSSKIVE	TÆTNINGSSPÆNDESKIVE	ΡΟΔΕΛΛΑ ΣΤΕΓΑΝΩΣΗΣ	ANILHA DA JUNTA DE VEDAÇÃO	TIVISTYSLAATTA
SEALING	TETNINGSBOKS	TÆTNING	ΣΤΕΓΑΝΩΤΙΚΟ	VEDAÇÃO	TIVISTE
SEALING COMPOUND	TETNINGSMASSE	TÆTNINGSMASSE	ΣΤΕΓΑΝΩΤΙΚΟ ΜΙΓΜΑ	MASSA DE VEDAÇÃO	TIVISTYSSMASSA
SEALING PLUG	TETNINGSPLOGG	TÆTNINGSPROP	ΠΩΜΑ ΣΤΕΓΑΝΩΣΗΣ	TOMADA DE VEDAÇÃO	TIVISTYSTULPPA
SEALING WASHER	TETNINGSSKIVE	TÆTNINGSSPÆNDESKIVE	ΣΤΕΓΑΝΩΤΙΚΗ ΡΟΔΕΛΛΑ	ANILHA DE VEDAÇÃO	TIVISTYSTYLEVY
SEARCH LIGHT	SØKELYS	SØGELYS	ΠΡΟΒΟΛΕΑΣ ΑΝΑΖΗΤΗΣΗΣ	HOLOFOTE	VALONHEITIN
SEAT	SETE	SÆDE	ΕΔΡΑ	ASSENTO	ISTUKKA
SEE FOOTNOTE	VELGER	SE FODNOTE	ΔΕΙΤΕ ΥΠΟΣΗΜΕΙΩΣΗ	VER NOTA DE RODAPÉ	KAITSO ALAVIITE
SELECTOR SWITCH	BRYTER	OMSKIFTERKONTAKT	ΔΙΑΚΟΠΤΗΣ ΕΠΙΛΟΓΕΑΣ	COMUTADOR	VALINTAKYTKIN
SENDING UNIT	RELÉBLOK	RELÆNHED	ΜΟΝΑΔΑ ΕΚΠΟΜΠΗΣ	UNIDADE TRANSMISSORA	LÄHETINYSKIKKÖ
SENSOR	SENSORBRYTER	FØLER	ΑΙΣΘΗΤΗΡΑΣ	SENSOR	ANTURI
SEPARATOR	SEPARATOR	SEPARATOR	ΔΙΑΧΩΡΙΣΤΗΡΑΣ	SEPARADOR	EROTIN
SEPARATOR ELEMENT	SEPARATORIELEMENT	SEPARATORIELEMENT	ΣΤΟΙΧΕΙΟ ΔΙΑΧΩΡΙΣΤΗΡΑ	ELEMENTO DO CENTRIFUGADOR	EROTTIMEN PATRUUNA
SEQUENCE SELECTOR	SERIETL TILKOPLINGSSETT	SEKVENSVÆLGER	ΕΠΙΛΟΓΕΑΣ ΕΝΑΛΛΑΓΗΣ	SELECTOR DE SEQUÊNCIA	VAIHENVALITSIN
SERTO COUPLING	SERTO-KOPLING	SERTOKOBLING	ΣΥΝΔΕΣΜΟΣ ΣΕΡΤΟ	ACOPLAMENTO "SERTO"	SERTO-KYTKIN
SERVICE KIT	SERVICSETT	SERVICSETT	ΣΥΝΘΑΛΩΣ ΑΡΤΗΜΑΤΩΝ ΓΙΑ ΤΗ ΣΥΝΤΗΡΗΣΗ	JOGO DE MANUTENÇÃO	KORJAUSARJA
SERVICE PAK	SERVICEPAKKE	SERVICEPAKKE	ΠΑΚΕΤΟ ΣΥΝΤΗΡΗΣΗΣ	PACOTE DE MANUTENÇÃO	KORJAUSARJA
SERVICE PLATE	SERVICPLATE	SERVICPLADE	ΠΙΝΑΚΙΔΑ ΣΥΝΤΗΡΗΣΗΣ	PLACA DE MANUTENÇÃO	HUOLTOIKILPI
SERVICE STAGE	VEDLIEKHOLDSPUNKT	ELEMENT	ΕΠΙΠΕΔΟ ΥΠΗΡΕΣΙΩΝ	ESTRADO DE MANUTENÇÃO	KOMPRESSORIELEMENTTI
SET	SETT	SÆT	ΠΥΘΜΕΤΙΚΟ	JOGO	SARJA
SET SCREW	STOPPESKRUE	STILLESKRUE	ΠΥΘΜΕΤΙΚΟΣ ΚΟΧΛΙΑΣ	PARAFUSO DE AFINAÇÃO	ASETUSRUUVI
SHACKLE	BØYLE	BØYLE	ΚΡΗΚΟΣ	MANILHA DE ENGATE	KIINNTYSHAKA
SHAFT	AKSEL	AKSEL	ΑΞΟΝΑΣ	VEIO	AKSELI
SHAFT CENTRE	SKIVE	AKSELCENTER	ΚΕΝΤΡΙΚΟΣ ΑΞΟΝΑΣ	CENTRO DO VEIO	KESKIPISTE
SHEET	ARK	ARK	ΦΥΛΛΟ	CHAPA	LEVY
SHELL	MANTEL	KAPPE	ΚΕΛΥΦΟΣ	CAPA	MALJA
SHIELD	VERN	SKJOLD	ΣΤΕΓΑΣΤΡΟ	BLINDAGEM	SUOJUS
SHIM	SKIVE	MELLEMLÆGSPLEDE	ΕΝΔΙΑΜΕΣΟ ΠΕΡΙΒΑΗΜΑ	CALÇO	SOVITTELEVY
SHIM RING	SKIVERING	MELLEMLÆGSRING	ΕΝΔΙΑΜΕΣΟΣ ΛΑΚΤΥΛΙΟΣ	ANEL DE ENCHIMENTO	SOVITERENGAS
SHOCK ABSORBER	STØTRING	STØDDÆMPER	ΑΠΟΣΒΕΣΤΗΡΑΣ ΚΡΟΥΣΗΣ	AMORTECEDOR	ISKUNVAIMENNIN
SHOE	SKO	SKO	ΣΙΑΤΟΝΑ	PASTILHA	KAAPELIKENKÄ
SHORTBLOCK	GENERATOR OG GIR	GENERATOR OG GEAR	ΤΑΚΑΚΙ	BLOCO DE DADOS CURTO	KOMPRESSORIKÄYTTÖKONESTOKOKONAUSUS
SHRINKING HOSE	KRYMPESLANGE	KRYMPNINGSSSLANGE	ΕΛΑΣΤΙΚΟΣ ΣΩΛΗΝΑΣ ΚΑΤΑΙΟΝΙΣΜΟΥ	MANGUEIRA DE ENCAIXE A QUENTE	KUTISTEHOLKKI
SHROUD	SHUNT-UTLØSERSPILE	BEKLÆDNING	ΥΦΑΣΜΑΤΙΝΟ ΚΑΛΥΜΜΑ	ENVÓLUCRO	KOSKETUSSUOJA
SHUT DOWN DEVICE	STOPPEANORDNING	STOPANORDNING	ΣΥΣΤΗΜΑ ΔΙΑΚΟΠΗΣ ΑΕΙΟΥΥΡΤΙΑΣ	DISPOSITIVO DE CORTE	PYSÄYTYSLAITE
SHUT DOWN LEVER	STOPPESPAK	STOPGREB	ΜΟΧΛΟΣ ΔΙΑΚΟΠΗΣ ΑΕΙΟΥΥΡΤΙΑΣ	ALAVANCA DE CORTE	PYSÄYTYSVIPU
SHUT-OFF VALVE	AVSTENGINGSVENTIL	AFBRYDREVENTIL	ΒΑΛΒΙΔΑ ΑΠΟΦΡΑΞΗΣ	VÁLVULA DE FECHO / CORTE	SULKUVENTILLI
SHUTTLE VALVE	SKYTTTELVENTIL	SPÆRREVENTIL	ΒΑΛΒΙΔΑ ΔΙΠΛΗΣ ΕΝΕΡΓΕΙΑΣ	VÁLVULA DE LANÇADEIRA	SUUNTAVENTILLI
SIDE DOOR	SIDEDØR	SIDEDØR	ΠΛΕΥΡΙΚΗ ΠΟΡΤΑ	PORTA LATERAL	SIVUOVEN
SIDE DUCT	SIDEKANAL	SIDEKANAL	ΠΛΕΥΡΙΚΟΣ ΑΓΩΓΟΣ	TUBAGEM LATERAL	SIVUKANAVA
SIDE PANEL	SIDEPANEL	SIDEPANEL	ΠΛΕΥΡΙΚΟΣ ΠΙΝΑΚΑΣ	PAINEL LATERAL	SIVUPANEELI
SIDE PART	SIDEDEL	SIDEDEL	ΠΛΕΥΡΙΚΟ ΤΜΗΜΑ	PEÇA LATERAL	SIVUOSA
SIDE PLATE	SIDELOPEHJUL	SIDEPLADE	ΠΛΕΥΡΙΚΟ ΕΛΑΣΜΑ	PLACA LATERAL	SIVULEVY
SIDE WALL	SIDEVEGG	SIDEVÆG	ΠΛΕΥΡΙΚΟ ΤΟΙΧΩΜΑ	PAREDE LATERAL	SIVUSEINÄ
SIGHT GLASS	SIGNALGENERATOR	OBSERVATIONSRUDE	ΓΥΑΛΙ ΟΡΑΣΗΣ	JANELA DE INSPEÇÃO	TARKASTUSLASI
SIGNAL LAMP	VARSPELLAMPE	SIGNALLAMPE	ΛΑΜΠΑ ΣΗΜΑΤΩΝ	LÂMPADA DE SINALIZAÇÃO	MERKKILAMPPI
SILENCER	LYDDEMPER	LYDDÆMPER	ΣΙΓΑΣΤΗΡΑΣ	SILENCIADOR	ÄÄNENVAIMENNIN
SILENCER INSERT	LYDDEMPERINNSATS	LYDDÆMPERINDSATS	ΠΑΡΕΜΒΑΣΜΑ ΣΙΓΑΣΤΗΡΑ	INSERÇÃO DO SILENCIADOR	ÄÄNENVAIMENTIMEN SISÄKAPPALE
SILENCING FOAM	LYDDEMPESKUM	SKUMLYDDEMPER	ΑΦΡΟΣ ΗΧΟΠΡΟΣΤΑΣΙΑΣ	ESPUMA SILENCIADORA	ERISTYSVAAHTO
SILENCING HOOD	LYDDEMPERKAPPE	LYDDEMPERKAPPE	ΚΑΛΥΜΜΑ ΣΙΓΑΣΤΗΡΑ	CAPOTA COM SILENCIADOR	ERISTYSKANSI
SILENCING KIT	LYDDEMPSETT	LYDDEMPERSÆT	ΣΥΝΘΑΛΩΣ ΣΙΓΑΣΤΗΡΑ	JOGO PARA SILENCIADOR	VAIMENNUSARJA

ENGLISH	NEDERLANDS	FRANCAIS	DEUTSCH	ESPAÑOL	SVENSKA	ITALIANO
SITEGLASS	PEILGLAS	VERRE LATERAL	BAUGLAS	VIDRIO DE OBRA	SYNGLAS (=SIGHTGLASS?)	VETRO IN OPERA
SKATE	ROLSTEUN	SUPPORT ROULANT	ROLLTRÄGER/GLEITSTÜCK	PATÍN	RULLHÅLLARE	PATTINO
SKID	BALKRAAM	CHÂSSIS-SKID	SCHLITTEN	CALZO	BALKRAM	PATTINO
SLEEVE	KLEMFRING	MANCHON	MUFFE	MANGUITO	HYLSA	MANICOTTO
SLEEVE BEARING	KLEMFRING V. LAGER	ROULEMENT DE MANCHON	UNGETEILTES RINGLAGER	COJINETE DEL MANGUITO	HYLSLAGER	MANICOTTO DEL CUSCINETTO
SLIDE	GLUBAAN	GLISSIÈRE	GLEITSCIENE	CORREDERA	SPÄNNLINIAL	SLITTA
SLIDE RAIL	GLUBAAN	GLISSIÈRE	GLEITSCIENE	CORREDERA	SPÄNNLINIAL	GLIDA PER SLITTA
SLIDING DOOR	SCHUIFDEUR	PORTE COULISSANTE	SCHIEBETÜR	PUERTA CORREDIZA	SKUTLUCKA	PORTA SCORREVOLE
SLING	SLINGER	CORDON	SCHLINGE	ESLINGA	SLINGA	INBRAGATURA
SNAP RING	KNIPRING	BAGUE A RESSORT	SPRENGRING	ANILLO DE RESORTE	LÄSRING	ANELLO ELASTICO PER INTERNI
SOCKET	MOF	DOUILLE	HÜLSE	BASE DE ENCHUFE	HYLSA	PRESA
SOCKET OUTLET	STOPCONTACT	DOUILLE DE SORTIE	STECKDOSE	SALIDA DE ENCHUFES	UTTAG	USCITA DELLA PRESA
SOCKET PANEL	PANEEL M. STOPCONTACTEN	PANNEAU DE DOUILLE	BUCHSENLEISTE	PANEL DE ENCHUFES	UTTAGSPANEL	PANNELLO DELLA PRESA
SOCKET PLATE	PLAAT V. STOPCONTACT	PLAQUE DOUILLE	BUCHSENLEISTE	PLACA DE ENCHUFES	HYLSPLÅT	PIASTRA DELLA PRESA
SOCKET PLUG	MOFPLUG	BOUCHON	HÜLSENSTÖPFSEL	ENCHUFE	INSEXPLOPP	SPINA PER PRESA
SOLDERING CONN.	VERBINDING	CONNEXION	LÖTVERBINDUNG	CONEXIÓN SOLDADA	ANSLUTNING	COLLEGAMENTO SALDATO
SOLENOID	MAGNEET	SOLENOIDE	ELEKTROMAGNET	SOLENOIDE	SOLENOID	SOLENOIDE
SOLENOID VALVE	MAGNEETVENTIEL	ELECTROVALVE	ELECTROVENTIL	VÁLVULA SOLENOIDE	MAGNETVENTIL	ELETTROVALVOLA
SPACER	AFSTANDSTUK	ENTRETOISE	ABSTANDSSTÜCK	ESPACIADOR	DISTANSSTYCKE	DISTANZIATORE
SPACER (HINGE)	AFSTANDSSTUK (SCHARNIER)	ENTRETOISE (CHARNIERE)	ABSTANDSSTÜCK (SCHARNIER)	ESPACIADOR (PERNO)	(GÅNGJÄRN) DISTANSSTYCKE	CERNIERA DEL DISTANZIATORE
SPACER PLATE	AFSTANDSPLAAT	PLAQUE D'ESPACEMENT	DISTANZBLECH	PLACA DE ESPACIADOR	DISTANSPLATTA	PIASTRA DISTANZIATRICE
SPACER TUBE	AFSTANDSPJIP	TUYAU D'ESPACEMENT	DISTANZROHR	TUBO DE ESPACIADOR	DISTANSRÖR	TUBO DISTANZIATORE
SPACING PIPE	AFSTANDSPJIP	TUYAU D'ESPACEMENT	ABSTANDSROHR	TUBO ESPACIADOR	AVSTÄNSRÖR	TUBO DISTANZIATORE
SPARE PARTS LIST	ONDERDELENLIJST	LISTE DES PIÈCES DE RECH.	ERSATZTEILLISTE	LISTA DE PIEZAS DE RECAMBIO	RESERVDEL.SLISTA	ELENCO DELLE PARTI DI RICAMBIO
SPARK ARRESTOR	VONKDOVER	ARRETOIR D'ÉTINCELLES	FUNKENFÄNGER	AMORTIGUADOR DE CHISPAS	GNISTFÄNGARE	PARASCINTILLE
SPEED PICK-UP	SNELHEIDSPNEMER	MESURE DE VITESSE	GESCHWINDIGKEITSAUFNAHME	TOMA DE VELOCIDAD	HASTIGHETSMÄTARE	ACCELERAZIONE DI VELOCITÀ
SPEED REGULATOR	SNELHEIDSGELAAR	REGULATEUR DE VITESSE	DREHZAHLEGLER	REGULADOR DE VELOC.	VARVÅLTSREGULATOR	REGOLATORE DI VELOCITÀ
SPEED SWITCH	SNELHEIDSSCHAKELAAR	COMMUTATEUR DE VITESSE	DREHZAHLSCHALTER	INTERRUPTOR DE VELOCIDAD	HASTIGHETSBRÛTARE	INTERRUTTORE DI VELOCITÀ
SPHERICAL WASHER	ONDERLEGPLAATJE	RONDELLE CUVETTE	UNTERLEGSCHIBE	ARANDELA	SFÄRISK BRICKA	RONDELLA A SEDE SFERICA
SPINDLE	SPIJL	BROCHE	SPINDEL	EJE	SPINDEL	MANDRINO
SPLIT COTTERPIN	SPLITPEN	GOUPILLE FENDUE	SPLINT	CHAVETA HENDIDA	SAXSPRINT	COPIGLIA
SPLIT PIN	SPLITPEN	GOUPILLE FENDUE	SPLINT	PASADOR HENDIDO	SAXPINNE	COPIGLIA
SPLITTER	SPLITPEN	DISPOSITIF DE SCISSION	VERTEILER	SEPARADOR	BRÛTLINJE	SDOPPIATORE
SPRING	VEER	RESSORT	FEDER	RESORTE	FJÄDER	MOLLA
SPRING CLIP	VEERCLIP	ATTACHE A RESSORT	FEDERKLAMMER	ABRAZADERA DE RESORTE	FJÄDERKLÄMMA	CONNETTORE A MOLLA
SPRING CONTACT	VEERCONTACT	CONTACT A RESSORT	FEDERKONTAKT	CONTACTO DE RESORTE	FJÄDERKONTAKT	CONTATTO A MOLLA
SPRING COVER	VEERDEKSEL	COUVERTURE DE RESSORT	FEDERABDECKUNG	CUBIERTA DE RESORTE	FJÄDERHUV	COPERCHIO A MOLLA
SPRING GUIDE	VEERGELEIDER	GUIDE-RESSORT	GLEITFEDER	GUÍA DE RESORTE	FJÄDERSTYRNING	GUIDA DELLA MOLLA
SPRING HOLDER	VEERHOUDER	PORTE-RESSORT	FEDERHALTER	SOPORTE DE RESORTE	FJÄDERHÅLLARE	SUPPORTO A MOLLA
SPRING HOUSING	VEERHUIS	BÔTIER RESSORT	FEDERGEHÄUSE	CAJA DE RESORTE	FJÄDERHUS	ALLOGGIAMENTO DELLA MOLLA
SPRING LOCK	VEERSLUITING	VERROUILLAGE DE RESSORT	FEDERSCHLOSS	BLOQUEO DE RESORTE	FJÄDERLÅS	FERMO A MOLLA
SPRING PIN	VEERPEN	GOUPILLE ELASTIQUE	FEDERTIFT	PASADOR DE RESORTE	FJÄDEKTAPP	SPINA ELASTICA
SPRING SEAT	VEERZITTING	SIÈGE DE RESSORT	FEDERAUFLAGE	ASIENTO DE RESORTE	FJÄDERSÄTE	SEDE DELLA MOLLA
SPRING WASHER	VEERPLAATJE	RONDELLE A RESSORT	FEDERRING	ARANDELA DE RESORTE	FJÄDERBRICKA	RONDELLA ELASTICA
SPRING WAVE	GOLVENDE VEER	ONDE A RESSORT	FEDERWELLE	ONDA DE RESORTE	FJÄDERVÅG	ONDA ELASTICA
STAR CONTACTOR	STERCONTACT	CONTACTEUR ETOILE	STERNSCHALTER	CONTACTOR ESTRELLA	STJÄRNKONTAKTOR	CONTATTATORE DI STELLA
START CABLE	STARTKABEL	CABLE DE DEMARRAGE	STARTHILFEKABEL	CABLE DE INICIO	STARTKABEL	CAVO DI AVVIAMENTO
START RELAY	STARTRELAIS	RELAIS DE DEMARRAGE	ANLASSRELAIS	RELÉ DE ARRANQUE	STARTRELÄ	RELÉ DI STELLA
STARTER	STARTER	DEMARREUR	ANLASSER	ARRANCADOR	STARTAPPARAT	AVVIATORE
STARTER MOTOR	STARTMOTOR	MOTEUR DE DEMARRAGE	ANLASSER	MOTOR DE ARRANQUE	STARTMOTOR	MOTORE DI AVVIAMENTO
STARTER RING GEAR	TANDKRANS V. STARTMOTOR	ENGRENAGE DEMARRAGE	ANLASSERTELLERRAD	ENGRANAJE DEL ANILLO INICIADOR	STARTKRONDRÛV	INGR. AD ANELLO PER AVVIATORE
STARTER SWITCH	STARTSCHAKELAAR	COMMUTATEUR DE DEMARRAGE	ANLASSSCHALTER	INTERR. DE ARRANQUE	STARTSTRÖMSTÄLLARE	INTERRUTTORE DI AVVIAMENTO
STATOR	STATOR	STATOR	STATOR	ESTÁTOR	STATOR	STATORE
STAY	SCHOOR	SUPPORT	STÜTZE	TIRANTE	STAG	SOSPENSIONE
STEEL COUPLING	STALEN KOPPELING	RACCORD EN ACIER	STAHLKUPPLUNG	EMPALME DE ACERO	STÅLKOPPLING	GIUNTO IN ACCIAIO
STEEL PIPE	STALEN BUIS	TUYAU EN ACIER	STAHLROHR	TUBERÍA DE ACERO	STÅLRÖR	TUBO IN ACCIAIO
STEEL WOOL	STAALWOL	PAILLE D'ACIER	STAHLWOLLE	VIRUTAS DE ACERO	STÅLULL	LANA D'ACCIAIO
STEER LEVER	STUURHEFBOOM	CHAPEAU	LENKSTOCKHEBEL	PALANCA DE GIRO	STYRSPAK	LEVA DELLO STERZO
STEERING	STUURINRICHTING	LEVIER DE DIRECTION	LENKUNG	DIRECCIÓN	STYRNING	STERZO
STEERING ARM	FUSEE-ARM	DIRECTION	LENKHEBEL	BRAZO DE DIRECCIÓN	STYRARM	BRACCIO DI COM. SUL FUSO A SNODO
STEERING FORK	STUURGAFFEL	LEVIER DE DIRECTION	LENKGABEL	HORQUILLA DE DIRECC.	STYRGAFFEL	FORCELLA DELLO STERZO
STEERING ROD	STUURSTANG	BIELLE DE DIRECTION	LENKSTANGE	BIELA DE DIRECCIÓN	STYRSTÅNG	BARRA LONGIT. COMANDO STERZO
STIFFENER	VERSTIJVING	CONTREFORT	VERSTEIFUNG	REFUERZO	FÖRSTYVNING	ELEMENTO DI IRRIGIDIMENTO
STIRRUP	BELUGEL	ETRIER	BÜGEL	ESTRIBO	BYGEL	STAFFA
STOP	AANSLAG	ARRET	ANSCHLAG	PARADA	STOPP	ARRESTO
STOP BLOCK	STOOTSLOK	BLOC D'ARRET	ANSCHLAGBLOCK	BLOQUE DE TOPE	BUFFERTBJÄLKE	BLOCCO D'ARRESTO
STOP CABLE	STOPKABEL	CÂBLE D'ARRET	STOPPEIL	CABLE DE PARADA	STOPPKABEL	CAVO D'ARRESTO
STOP COCK	AFLUITKRAAN	ROBINET	ABSPERRHAHN	CANILLA DE PARADA	AVSTÄNGNINGSKRAN	RUBINETTO DI ARRESTO
STOP DEVICE	AANSLAG	DISPOSITIF D'ARRET	ABSPERRVORRICHTUNG	DISPOSITIVO DE PARADA	STOPPANORDNING	DISPOSITIVO DI ARRESTO
STOP PIN	AANSLAGPEN	GOUPILLE D'ARRÊT	HALTESTIFT	CHAVETA DE PARADA	STOPPSPRINT	SPINA DI ARRESTO
STOP RING	AFLUITRING	ANNEAU D'ARRÊT	ABSPERRING	ANILLO DE CIERRE	STOPPRING	ANELLO D'ARRESTO
STOP SOLENOID	STOPSOLENOIDE	ELECTROVANNE D'ARRÊT	ABSTELLSOLENOID	SOLENOIDE DE PARADA	STOPPMAGNET	SOLENOIDE DI ARRESTO
STOP VALVE	AFLUITER	VALVE D'ARRÊT	ABSPERRVENTIL	VÁLVULA DE CIERRE	STOPPVENTIL	VALVOLA D'ARRESTO
STRAIGHT PIPE	RECHTE PIJPKOPPELING	TUYAU DROIT	GERADES ROHR	TUBERÍA RECTA	RAKT RÖR	TUBO DIRITTO
STRAIGHT PIPE COUPLING	RECHTE PIJPKOPPELING	RACCORD TUYAU DROIT	GERADE KUPPLUNG	EMPALME DE TUBERÍA RECTA	KOPPLING RAKT RÖR	GIUNTO PER TUBO DIRITTO
STRAINER	ZEEF	TAMIS	SIEB	COLADOR	SIL	FILTRO
STRAP	BAND	COURROIE	BAND	ZUNCHO	FÄSTBAND	REGGETTA
STRETCHER	SPANNER	TENDEUR	SPANNVORRICHTUNG	ENSOR	SPÄNNSKRUV	TENDITORE
STRETCHING BOLT	SPANBOUT	BOULON TENDEUR	SPANNBOLZEN	PERNO TENSOR	SPÄNNBULT	BULLONE TENDITORE
STRIP	STRIP	PLAQUE	STREIFEN	TIRA	BAND	NASTRO
STUB	ASEINDE	PIVOT	ACHSSCHENKEL	CABO	AXELTAPP	MOZZICONE
STUD	TAPEINDE	GOÛJON	STEHBOLZEN	ESPÁRRAGO	PINNULT	PRIGIONIERO
STUFFING BOX	PAKKINGBUS	PRESSE-ETOUPPE	STOPFBÜCHSE	PRESAESTOPAS	PACKBOX	PRESMISTOPPA
SUB-FRAME	HULPRAAM	CHASSIS	NEBENRAHMEN	BASTIDOR AUXILIAR	HJÄLPÅRAM	SOTTOTELAIO
SUCTION CAP	INLAATHUIS	CHAMBRE D'ASPIRATION	EINLASSKAPPE	CAJA DE ASPIRACIÓN	INLOPPSKÅPA	COPERCHIO DI ASPIRAZIONE
SUCTION CHAMBER	AANZUIGKAMER	CHAMBRE D'ASPIRATION	SAUGRAUM	CÁMARA DE ASPIR.	SUGKAMMARE	CAMERA DI ASPIRAZIONE
SUCTION DISC	INLAATKLEPPLAAT	DISQUE D'ASPIRATION	SAUGVENTILPLATTE	DISCO. VÁLV. ASPIR.	SUGVENTILSKIVA	DISCO DI ASPIRAZIONE
SUCTION DUCT	ZUIGKANAAL	TUYAU D'ASPIRATION	SAUGLEITUNG	CONDUCTO DE SUCCIÓN	SUGKANAL	CONDOTTO DI ASPIRAZIONE
SUCTION END	ZUIGEINDE	EXTREMITÉ ASPIRATION	SAUGAUSLASS	EXTREMO DE SUCCIÓN	SUGÄNDA	ESTREMITÀ DI ASPIRAZIONE
SUCTION PIPE	ZUIGPIJP	TUYAU D'ASPIRATION	SAUGLEITUNG	TUBO DE ASPIRACIÓN	SUGRÖR	TUBO DI ASPIRAZIONE
SUCTION TUBE	ZUIGLEIDING	TUYAU D'ASPIRATION	SAUGROHR	TUBO DE SUCCIÓN	UPPSUGNINGSRÖR	TUBO DI ASPIRAZIONE
SUCTION VALVE	ZUIGKLEP	SOUPAPE D'ASPIRATION	SAUGVENTIL	VÁLV. DE ASPIRACIÓN	SUGVENTIL	VALVOLA DI ASPIRAZIONE
SUPPORT	STUT	SUPPORT	STÜTZE	SOPORTE	STÖD	SUPPORTO
SUPPORTING RING	DRAAGRING	ANNEAU	STÜTZRING	ANILLO DE SOPORTE	STÖDRING	ANELLO DI SUPPORTO
SUPPRESSOR	ONTSTOORDER	CONDENSATEUR	ENTSTÖRKONDENS.	SUPRESOR	STÖRSKYDD	SOPPRESSORE
SURGE ABSORBER	GOLFDEMPER	AMORTISSEUR D'ONDES	WELLENSCHLÜCKER	AMORT. DE ONDAS	VÅGFRONTSKYDD	ASSORBITTORE DI IMPULSI
SWITCH	SCHAKELAAR	INTERRUPTEUR	SCHALTER	INTERRUPTOR	BRÛTARE	INTERRUTTORE
SWITCH GUARD	AFSCHERMING V. SCHAKELAAR	PROTEGE-COMMUTATEUR	SCHALTERABDECKUNG	PROTECTOR DEL INTERRUPTOR	BRÛTARSKYDD	PROTEZIONE DELL'INTERRUTTORE
SWIVEL WHEEL	ZWENKWIEL	ROUE PIVOTANTE	SCHWENKRAD	RUEDA GIRATORIA	SVÄNGBART HJUL	RUOTA GIREVOLE

ENGLISH	NORSK	DANSK	ΕΛΛΗΝΙΚΑ	PORTUGUÊS	SUOMI
SITEGLASS	SEGLASS	PEJLEGLAS	ΠΑΡΑΘΥΡΑΚΙ	VIDRO COLOCADO NA MONTAGEM	TARKASTUSLASI
SKATE	RULLENDE HOLDER	SLISKE/SKØITE	ΠΑΤΙΝΙ	PISTA DE ROLAMENTO	VIERINTÄTUKEI
SKID	SKILRAMME	STØTTETEBEN/HÆMSKO	ΠΕΑΜΑ	DESILIZADOR	PALKKIRUNKO
SLEEVE	HYLSE	MUFFE	ΧΤΙΩΝΙΟ, ΠΕΡΙΒΛΗΜΑ	MANGA	HOLKKI
SLEEVE BEARING	HYLSELAGER	GLIDELEJE	ΧΤΙΩΝΙΟ ΠΟΛΥΑΕΜΑΝ	ROLAMENTO DA MANGA	HOLKKILAAKERI
SLIDE	SLEIDE	SKINNE	ΟΛΘΕΦΕΗ	CURSOR	LIUKU
SLIDE RAIL	SPENNSKINNE	STYRESKINNE	ΤΡΟΧΙΑ ΟΛΘΕΦΕΗΣ	CALHA DO CURSOR	LIUKUKISKO
SLIDING DOOR	SKYVELUKE	SKYDEDØR	ΣΥΡΟΜΕΝΗ ΠΟΡΤΑ	PORTA DE CORRER	LIUKUOVI
SLING	KRONEMUTTER	BÆREREM	ΑΝΑΡΤΗΡΑΣ	ESTROPO	SILMUKKA
SNAP RING	LÅSERING	LÅSERING	ΔΑΚΤΥΛΙΟΣ ΔΙΑΜΟΡΦΩΣΗΣ	ANEL ELÁSTICO	LUKKORENGAS
SOCKET	HYLSE	STIKKONTAKT	ΑΚΡΟΔΕΚΤΗΣ	TOMADA	HOLKKI
SOCKET OUTLET	HYLSEUTLØP	MUFFEUDLØB	ΥΠΟΔΟΧΗ ΕΞ ΟΔΟΥ	TOMADA DE ENCAIXE	PISTORASIA
SOCKET PANEL	HYLSEPANEL	MUFFEPANEL	ΠΙΝΑΚΑΣ ΥΠΟΔΟΧΩΝ	PAINEL DE ENCAIXE	LITÄNTÄTAULU
SOCKET PLATE	HYLSEPLATE	MUFFEPLADE	ΠΛΑΚΑ ΥΠΟΔΟΧΩΝ	PLACA DE ENCAIXE	PISTORASIALEVY
SOCKET PLUG	PIPE	STIKPROP	ΤΑΠΑ ΑΚΡΟΔΕΚΤΗ	TAMPA DE TOMADA	PISTOKYTKIN
SOLDERING CONN.	TILKOPLING	LODDEFORBINDELSE	ΣΥΤΚΟΑΙΔΗΣ ΣΥΝΔΕΣΗΣ	CONEXÃO PARA SOLDAR	JUOTOSLITIOS
SOLENOID	MAGNETVENTILUTLØSER	ELEKTROMAGNET	ΗΛΕΚΤΡΟΜΑΓΝΗΤΗΣ	SOLENOÍDE	MAGNEETTI
SOLENOID VALVE	MAGNETVENTIL	MAGNETVENTIL	ΗΛΕΚΤΡΟΜΑΓΝΗΤΙΚΗ ΒΑΛΒΙΑ	VÁLVULA ELECTROMAGNÉTICA	MAGNEETTIVENTTILI
SPACER	AVSTANDSSTYKKE	AVSTANDSSTYKKE	ΔΙΑΧΩΡΙΣΤΗΣ, ΔΙΑΧΩΡΙΣΤΙΚΟΣ ΔΑΚΤΥΛΙΟΣ	SEPARADOR	VÄLIKEKAPPALE
SPACER (HINGE)	FORINGSRING (HÆNGSEL)	AFSTANDSSKIVE (HÆNGSEL)	ΔΙΑΧΩΡΙΣΤΙΚΟΣ ΔΑΚΤΥΛΙΟΣ (ΜΕΝΤΕΣΣΕ)	SEPARADOR (CHARNEIRA)	VÄLIKEKAPPALE (SARANA)
SPACER PLATE	AVSTANDSPATE	AVSTANDSPATE	ΔΙΑΧΩΡΙΣΤΙΚΟ ΕΛΑΣΜΑ	PLACA ESPAÇADORA	VÄLIKELEVY
SPACER TUBE	AVSTANDSRØR	AVSTANDSRØR	ΔΙΑΧΩΡΙΣΤΙΚΟΣ ΣΩΛΗΝΑΣ	TUBO SEPARADOR	VÄLIKEHOLKKI
SPACING PIPE	AVSTANDSRØR	AVSTANDSRØR	ΣΩΛΗΝΑΣ ΑΠΟΣΤΑΣΦΩΣ	TUBO ESPAÇADOR	VÄLIKEHOLKKI
SPARE PARTS LIST	RESERVEDELSLISTE	RESERVEDELSLISTE	ΛΕΙΤΑ ΑΝΤΑΛΛΑΚΤΙΚΩΝ	LISTA DE PEÇAS SOBRESSALENTES	VARAOSALUETTELO
SPARK ARRESTOR	GNISTFANGER	GNISTFANGER	ΣΥΛΛΕΚΤΗΡΑΣ ΣΠΙΝΘΗΡΕΣΜΟΥ	DISP DE PROTECÇÃO CONTRA FAÍSCAS	KIPINÄNSAMMUTIN
SPEED PICK-UP	ØKNING AV TURTALL	FØRØGELSE/AFOMDRENINGSTAL	ΑΝΥΨΩΤΗΡΑΣ ΤΑΧΥΤΗΤΑΣ	VELOCIDADE DE FUNCIONAMENTO	NOPEUSANTURI
SPEED REGULATOR	TURTAALLSREGULATOR	HASTIGHEDSREGULATOR	ΡΥΘΜΙΣΤΗΣ ΤΑΧΥΤΗΤΑΣ	REGULADOR DE VELOCIDADE	KIERROSLUUNSAÄÄDIN
SPEED SWITCH	FASTIGHETSBRYTER	HASTIGHEDSKONTAKT	ΔΙΑΚΟΠΤΗΣ ΤΑΧΥΤΗΤΑΣ	LIMITADOR DE VELOCIDADE	NOPEUSKYTKIN
SPHERICAL WASHER	SFÆRISK SKIVE	KUGLEFORMET SPÆNDESKIVE	ΣΦΑΙΡΙΚΟΣ ΠΑΡΑΚΥΚΛΟΣ	ANILHA ESFÉRICA	PYÖREÄ ALUSLEVY
SPINDLE	SKJØTT HYLSE	SPINDEL	ΑΤΡΑΚΤΟΣ	EIXO	KARA
SPLIT COTTERPIN	SPLITPINNE	SPLITPIND	ΚΟΠΙΑΙΑ	CONTRAPINO DIVIDIDO	SAKSISOKKA
SPLIT PIN	SPLINT	SPLIT	ΑΝΤΙΣΤΡΑΜΜΕΝΟΣ ΠΕΡΙΟΣ	PINO ARTICULADO	SAKSISOKKA
SPLITTER	SPLITTER	FORDELER	ΔΙΑΣΠΑΣΤΗΡΑΣ	TALHADEIRA	SAKSISOKKA
SPRING	FJÆR	FJEDER	ΕΛΑΤΗΡΙΟ	MOLA	JOUSI
SPRING CLIP	KLEMMEFJÆR	FJEDERKLEMME	ΣΥΤΚΡΑΤΗΤΗΡΑΣ ΕΛΑΤΗΡΙΟΥ	PINÇA DE MOLA	JOUSIPIDIKE
SPRING CONTACT	FJÆRKONTAKT	FJEDERKONTAKT	ΕΠΙΦΩΤΗ ΕΛΑΤΗΡΙΟΥ	CONTACTO DE MOLA	JOUSIKOSKETIN
SPRING COVER	FJÆRLØKK	FJEDERLÅG	ΚΑΛΥΜΜΑ ΕΛΑΤΗΡΙΟΥ	COBERTURA DE MOLA	JOUSIKANSI
SPRING GUIDE	FJÆRSTYRING	FJEDERSTYR	ΟΔΗΓΟΣ ΕΛΑΤΗΡΙΟΥ	GUIA DE MOLA	JOUSIOHJAIN
SPRING HOLDER	FJÆRHOLDER	FJEDERHOLDER	ΥΠΟΔΟΧΗ ΕΛΑΤΗΡΙΟΥ	SUORTE DE MOLA	JOUSEN PIDIN
SPRING HOUSING	FJÆRHUS	FJEDERHUS	ΚΕΛΥΦΟΣ ΕΛΑΤΗΡΙΟΥ	CAIXA DA MOLA	JOUSIKOTELO
SPRING LOCK	FJÆRLÅS	FJEDERLÅS	ΑΣΦΑΛΕΙΑ ΕΛΑΤΗΡΙΟΥ	FECHADURA DE MOLA	JOUSILUKKO
SPRING PIN	FJÆRTAPP	FJEDERTAP	ΠΕΡΟΝΗ ΕΛΑΤΗΡΙΟΥ	PINO ELÁSTICO	JOUSITAPPI
SPRING SEAT	FJÆRSETE	FJEDERSÆDE	ΕΔΡΑ ΕΛΑΤΗΡΙΟΥ	ASSENTO DE MOLA	JOUSEN ISTUKKA
SPRING WASHER	FJÆRSKIVE	SPÆNDESKIVE TIL FJEDER	ΠΑΡΑΚΥΚΛΟΣ ΕΛΑΤΗΡΙΟΥ	ANILHA DE MOLA	JOUSILEVY
SPRING WAVE	SPIRALFJÆR	SPIRALFJEDER	ΔΙΑΚΥΜΑΝΣΗ ΕΛΑΤΗΡΙΟΥ	MOLA VIBRATÓRIA	AALTOJOUSI
STAR CONTACTOR	STJERNEKONTAKTOR	STJERNEKONTAKTOR	ΕΠΙΦΩΣΤΑΣΤΕΡΑ	CONTACTOR ESTRELA	TÄHTIKONTAKTORI
START CABLE	STARTKABEL	STARTKABEL	ΚΑΛΩΔΙΟ ΕΚΚΙΝΗΣΗΣ	CABO DE ARRANQUE	KÄYNNISTYSKAAPELI
START RELAY	STARTRELÉ	STARTRELÆ	ΡΕΛΕ ΕΚΚΙΝΗΣΗΣ	RELÉ DE ARRANQUE	KÄYNNISTYSRELE
STARTER	STARTER	STARTER	ΕΚΚΙΝΗΣΗΣ	ARRANCADOR	KÄYNNISTIN
STARTER MOTOR	STARTMOTOR	STARTMOTOR	ΗΛΕΚΤΡΟΚΙΝΗΤΗΡΑΣ ΕΚΚΙΝΗΣΗΣ	MOTOR DE ARRANQUE	KÄYNNISTYSMOOTTORI
STARTER RING GEAR	STARTERKRANS	STARTERKRANS	ΔΑΚΤΥΛΙΩΤΟ ΓΡΑΝΑΖΙ ΕΚΚΙΝΗΣΗΣ	ENGRENAGEM ANULAR DE ARRANQUE	VAUHTIPYÖRÄN HAMMASKEHÄ
STARTER SWITCH	STARTERBRYTER	STARTERKONTAKT	ΔΙΑΚΟΠΤΗΣ ΕΚΚΙΝΗΣΗΣ	INTERRUPTOR DE ARRANQUE	KÄYNNISTYSKYTKIN
STATOR	STATOR	STATOR	ΣΤΑΤΟΡΑΣ, ΕΠΙΛΩΦΕΑΣ	ESTATOR	STAATTORI
STAY	STAG	AFSTIVER	ΥΠΟΣΤΗΡΙΓΜΑ	TIRANTE	TUKI
STEEL COUPLING	STÅLKOPPLING	STÅLKOBBLING	ΑΤΣΑΛΙΝΟΣ ΣΥΝΔΕΣΜΟΣ	ACOMPLAMENTO EM AÇO	KÄYNNISTYSKYTKIN
STEEL PIPE	STÅLRØR	STÅLRØR	ΑΤΣΑΛΩΣΩΔΗΝΑΣ	TUBO DE AÇO	TERÄSPUTKI
STEEL WOOL	STÅLLULL	STÅLLULD	ΣΥΡΜΑΤΟΒΑΜΒΑΚΑΣ	PALHA DE AÇO	TERÄSVILLA
STEER LEVER	STYRESPAK	STYREARM	ΜΟΧΛΟΣ ΑΙΕΥΘΥΝΣΗΣ	ALAVANCA DE DIRECÇÃO	OHJAUSVIPU
STEERING	STYRING	STYRING	ΠΗΛΑΙΟΥΧΙΑ	DIRECÇÃO	OHJAUS
STEERING ARM	STYREARM	STYREARM	ΚΑΤΕΥΘΥΝΤΗΡΙΟΣ ΒΡΑΧΙΟΝΑΣ	BRAÇO DE DIRECÇÃO	OHJAUSVARSII
STEERING FORK	STYREKAPPE	STYREGAFFEL	ΚΑΤΕΥΘΥΝΤΗΡΙΑ ΠΕΡΟΝΗ	GARFO DE DIRECÇÃO	OHJAUSHAARUKKA
STEERING ROD	STYRESTANG	STYRESTANG	ΚΑΤΕΥΘΥΝΤΗΡΙΑ ΡΑΒΔΟΣ	HASTE DE DIRECÇÃO	RAIDETANKO
STIFFENER	AVSTIVER	AFSTIVNING/STIVER	ΕΝΔΥΣΤΙΚΟ ΕΛΑΣΜΑ	ESTICADOR	JÄYKISTIN
STIRRUP	BØYLE	BØJLE	ΣΥΝΔΕΤΗΡΑΣ	ESTRIBO	KIINNIKE
STOP	STOPP	STOP	ΑΝΑΚΟΙΠΗ	BATENTE	VASTE
STOP BLOCK	BUFFER	STOPBLOK	ΣΩΜΑ ΑΝΑΚΟΙΠΗΣ	BATENTE	VASTEKAPPALE
STOP CABLE	STOPPEKABEL	STOPKABEL	ΚΑΛΩΔΙΟ ΑΝΑΚΟΙΠΗΣ	CABO LIMITADOR	PYSÄYTYSKAAPELI
STOP COCK	STENGEVENTIL	STOPHANE	ΔΙΚΑΙΕΙΑ ΑΝΑΚΟΙΠΗΣ	TORNEIRA DE PASSAGEM	SULKUHANA
STOP DEVICE	STOPPEANORDNING	STOPANORDNING	ΣΥΣΤΗΜΑ ΑΝΑΚΟΙΠΗΣ	DISPOSITIVO DE PARAGEM	PYSÄYTIM
STOP PIN	STOPPESTIFT	STOPSTIFT	ΠΕΡΙΟΣ ΑΝΑΚΟΙΠΗΣ	PINO DE ESPERA	PIDÄTYSTAPPI
STOP RING	STOPPRING	STOPRING	ΔΑΚΤΥΛΙΟΣ ΑΝΑΚΟΙΠΗΣ	ANEL DE TRAVAMENTO	PYSÄYTYSRENGAS
STOP SOLENOID	STOPPEMAGNET	STOPMAGNET	ΣΩΛΗΝΟΙΔΗΣ ΑΝΑΚΟΙΠΗΣ	ELECTRO-ÍMAN DE PARAGEM	PYSÄYTYSOLENOIDI
STOP VALVE	STOPPEVENTIL	STOPVENTIL	ΒΑΛΒΙΑ ΑΝΑΚΟΙΠΗΣ	VÁLVULA DE FECHO	SULKUVENTTILI
STRAIGHT PIPE	RETT RØR	LIGE RØR	ΕΥΘΥ ΣΩΛΗΝΑΣ	TUBO RECTO	SUORA PUTKI
STRAIGHT PIPE COUPLING	STREKKAVLASTNING	LIGE RØRKOBBLING	ΕΥΘΥ ΣΥΝΔΕΣΜΟΣ ΣΩΛΗΝΑ	ACOMPLAMENTO DE TUBO RECTO	SUORA PUTKILITIOS
STRAINER	SIL	FILTER	ΣΤΡΑΤΙΣΤΗΡΑΣ	REDE DE FILTRAGEM	SIVILÄ
STRAP	REM	BÆREREM	ΤΑΙΝΙΑ ΣΥΝΔΕΣΦΩΣ	PRECINTA	KIINNTYSSIDE
STRETCHER	STRAMMESKRUE	SPÆNDSKRUE	ΕΝΤΑΤΗΡΑΣ	SENSOR	KIRISTIN
STRETCHING BOLT	STRAMMEBOLT	SPÆNDBOLT	ΙΜΑΝ ΤΑΣΕΝ ΤΑΣΦΩΣ	PARAFUSO TENSOR	KIRISTYSPULTTI
STRIP	LIST	BÅND	ΛΩΡΙΑ	TIRA	NAUHA
STUB	AKSELTAPP	AKSELTAP	ΣΤΕΝΟ ΑΚΡΟ	MANGA DE EIXO	AKSELTAPPI
STUD	BOLTKOPLING	STIVER	ΜΗΤΥΟΑΟΝΙ	REBITE	VAAARNARUUVI
STUFFING BOX	PAKKBOKS	PAKÐASE	ΣΥΤΥΠΩΣΤΗΡΑΣ	EMPAQUE	TIVISTYSHOLKKI
SUB-FRAME	HJELPERAMME	UNDERRAMME	ΥΠΟΗΛΕΙΣΙΟ	SUB-QUADRO	APURUNKO
SUCTION CAP	INNSUGINGSHETTE	INDSUGNINGSHÆTTE	ΦΥΣΙΓΓΙΟ ΑΝΑΡΡΟΦΗΣΗΣ	TAMPA DE ASPIRAÇÃO	TULOAUKON KANSI
SUCTION CHAMBER	SUGEKAMMER	INDSUGNINGSKAMMER	ΘΑΛΑΜΟΣ ΑΝΑΡΡΟΦΗΣΗΣ	CÂMARA DE ASPIRAÇÃO	IMUKAMMIO
SUCTION DISC	SUGEVENTILSKIVE	INDSUGNINGSSPÆNDESKIVE	ΔΕΚΟΣ ΑΝΑΡΡΟΦΗΣΗΣ	DISCO DE ASPIRAÇÃO	IMUVENTTILIN LAUTANEN
SUCTION DUCT	SUGEKANAL	SUGEKANAL	ΑΓΩΓΟΣ ΑΝΑΡΡΟΦΗΣΗΣ	CANAL DE ASPIRAÇÃO	IMUKANAVA
SUCTION END	SUGEENDE	SUGEENDE	ΑΚΡΟ ΑΝΑΡΡΟΦΗΣΗΣ	TERMINAL DE ASPIRAÇÃO	IMUPÄÄ
SUCTION PIPE	SUGERØR	INDSUGNINGSRØR	ΑΓΩΓΟΣ ΑΝΑΡΡΟΦΗΣΗΣ	TUBO DE ASPIRAÇÃO	IMUPUTKI
SUCTION TUBE	SUGERØR	SUGERØR	ΣΩΛΗΝΑΣ ΑΝΑΡΡΟΦΗΣΗΣ	TUBO DE ASPIRAÇÃO	IMUPUTKI
SUCTION VALVE	INNSUGNINGSVENTIL	INDSTRØMNINGSVENTIL	ΒΑΛΒΙΑ ΑΝΑΡΡΟΦΗΣΗΣ	VÁLVULA DE ASPIRAÇÃO	IMUVENTTILI
SUPPORT	STØTTE	UNDERSTØTNING	ΥΠΟΣΤΗΡΙΓΜΑ	SUORTE	KANNATIN
SUPPORTING RING	STØTTERING	STØTTERING	ΔΑΚΤΥΛΙΟΣ ΥΠΟΣΤΗΡΙΓΜΗΣ	ANEL DE SUORTE	KANNATINRENGAS
SUPPRESSOR	STØYSPERRE	STØYSPERRE	ΚΑΤΑΣΤΟΛΕΑΣ	SUPRESSOR	HÄIRÖSUOJA
SURGE ABSORBER	BØLGEDEMPPER	OVERSPÆNDINGSÅFLÆDER	ΑΠΟΣΒΕΣΤΗΡΑΣ ΥΠΕΡΠΡΟΗΣ	AMORTECEDOR DE ONDAS	YLIJÄNNITTSUOJA
SWITCH	BRYTER	AFBRYDER	ΔΙΑΚΟΠΤΗΣ	INTERRUPTOR	SÄHKÖKYTKIN
SWITCH GUARD	BRYTERVERN	KONTAKTHUS	ΠΡΟΦΥΛΑΚΤΗΡΑΣ ΔΙΑΚΟΠΤΗΣ	PROTECÇÃO DO INTERRUPTOR	KYTKIMEN SUOJUS
SWIVEL WHEEL	SVINGHJUL	SVINGHJUL	ΠΕΡΙΣΤΡΕΦΟΜΕΝΟΣ ΤΡΟΧΟΣ	RODA GIRATÓRIA	KÄÄNTÖPYÖRÄ

ENGLISH	NEDERLANDS	FRANCAIS	DEUTSCH	ESPAÑOL	SVENSKA	ITALIANO
---------	------------	----------	---------	---------	---------	----------

T

T-CLIP	T-CLIP	ATTACHE EN T	T-FÖRMIGE KLAMMER	CHAVETA EN T	T-KLÄMMA	FERMAGLIO A "T"
T-CONNECTOR	T-CONNECTOR	CONNECTEUR EN T	T-STÜCK	CONNECTOR EN T	T-KONNEKTOR	CONNETTORE A "T"
T-HANDLE	T-VORMIG HANDVAT	LEVIER EN T	KREUZGRIFF	MANGO EN T	T-HANDTAG	MANICO A "T"
T-PIPE	T-PIJP	TUYAU EN T	T-RÖHRE	CONEXIÓN PARA TUBERÍAS EN T	T-RÖR	TUBO A "T"
TACHO-CABLE	TOERENTELLERKABEL	CABLE DE TACHYMETRE	DREHZAHLMESSERKABEL	CABLE DE VELOCIDAD	HASTIGHETSKABEL	HASTIGHETSKABEL
TACHOMETER	TOERENTELLER	TACHYMÈTRE	DREHZAHLMESSER	TACÓMETRO	HASTIGHETS MÅTARE	TACHIMETRO
TACHOMETER CABLE	TOERENTELLERKABEL	CABLE DE TACHYMETRE	DREHZAHLMESSERKABEL	CABLE DEL TACÓMETRO	HASTIGHETSKABEL	CAVO DEL TACHIMETRO
TAIL LIGHT	ACHTERLICHT	FEU ARRIÈRE	HECKLEUCHTE	LUZ TRASERA	BAKLJUS	LUCE POSTERIORE
TAIL PIPE	UITLAATPIJP	TUYAU ARRIÈRE	AUSPUFFROHR	EXTREMO DE LA TUBERÍA	ÄNDRÖR	TUBO POSTERIORE
TANK	TANK	RESERVOIR	BEHÄLTER	TANQUE	TANK	SERBATOIO
TANK STRAP	TANKRIEM	BANDE DE RESERVOIR	KRAFTSTOFFBEHÄLTERRIFTSICHLUNG	ABRAZADERA DEL DEPÓSITO	TANKBAND	CINGHIA DEL SERBATOIO
TANK UNIT	TANK	UNITE RESERVOIR	KRAFTSTOFFBEHÄLTEREINHEIT	UNIDAD DE DEPÓSITO	TANKENHET	UNITÀ DEL SERBATOIO
TAP	KRAAN	ROBINET	HAHN	TAPE	KRAN	PRESA
TAPE	PLAKBAND	BANDE RUBAN	KLEBEBAND	CINTA	BAND	NASTRO
TAPER PIN	CONISCHE PEN	GOUPILLE CONIQUE	KEGELSTIFT	PASADOR CÓNICO	KONISK PINNE	SPINA CONICA
TEE	T-STUK	TE	T-STÜCK	TE	T-STYCKE	DERIVAZIONE A "T"
TEE COUPLING	T-KOPPELING	RACCORD EN T	T-KUPLUNG	ACOLAMIENTO EN T	T-KOPPLING	ACCOMPAMENTO A "T"
TEE HANDLE	T-VORMIG HANDVAT	LEVIER EN T	KREUZGRIFF	ASA EN T	T-HANDTAG	MANICO CON DERIVAZIONE A "T"
TEMPERATURE GAUGE	TEMPERATUURMETER	INDICATEUR DE TEMPERAT.	TEMP. MESSER	IND. DE TEMP.	TEMP. MÅTARE	TERMOMETRO
TEMPERATURE SENSOR	TEMPERATUURSENSOR	SONDE THERMIQUE	TEMPERATURFÜHLER	SENSOR DE TEMP.	TEMPERATURGIVARE	SENSORE DI TEMPERATURA
TEMPERATURE SWITCH	TEMPERATUURSCHAKELAAR	THERMOSTAT	TEMP. SCHALTER	TERMOSTATO	TEMPERATURVAKT	TERMOSTATO
TEMPERATURE TRANSMITTER	TEMPERATUURZENDER	EMETTEUR DE TEMPERATURE	TEMPERATURGEBER	TRANSMISOR DE TEMPERATURA	TEMPERATURGIVARE	TERMOTRASMETTITTORE
TENSION PULLEY	SPANROL	POULIE TENDEUR	SPANNROLLE	POLEA TENSORA	SPÄNNRULLE	PULEGGIA TENDICINGHIA
TENSION SPRING	SPANVEER	RESSORT TENDEUR	ZUGFEDER	MUELLE TENSOR	MUELLE ANSLUTNINGSFÄDER	MOLLA DI TENSIONE
TENSIONER	SPANNER	TENDEUR	SPANNER	TENSIÓMETRO	ÅTDRAGNINGSANORDNING	TENDITORE
TERMINAL	KLEMME	REGLETTE A BORNES	KLEMME	TERMINAL	KOPPLING	MORSETTO
TERMINAL BLOCK	KLEMMENBLOK	BLOC TERMINAL	KLEMMENBLOCK	BLOQUE TERMINAL	ANSLUTNINGSPLINT	MORSETTIERA
TERMINAL BOARD	KLEMMENBORD	REGLETTE A BORNES	KLEMMENBRETT	TABLERO DE BORNES	ANSLUTNINGSPLINT	MORSETTIERA
TERMINAL BOARD PANEL	KLEMMENPANEEL	PANNEAU REGLETTE A BORNES	KLEMMENBRETT	PANEL DEL TABLERO TERMINAL	PANEL ANSLUTNINGSPLINT	PANNELLO DELLA MORSETTIERA
TERMINAL BOX	KLEMMENKAST	BOITIER DE BORNES	KLEMMENKASTEN	CAJA TERMINAL	KOPPLINGSDOSA	SCATOLA DEI MORSETTI
TERMINAL COVER	DEKSEL V. KLEMMENKAST	COUVERTURE DE BORNES	KLEMMENABDECKUNG	CUBIERTA TERMINAL	UTTAGSKÅPA	COPERCHIO DEI MORSETTI
TERMINAL PIN	PEN V. KLEMMENBORD	GOUPILLE E BORNE	ANSLUSSSTIFT	ANCLUSH TERMINAL	ANSLUTNINGSPINNE	SPINA DEI MORSETTI
TERMINAL PLATE	KLEMMENPLAAT	PLAQUE DE BORNES	KLEMMENPLATTE	PLACA TERMINAL	ANSLUTNINGSPLÅT	PIASTRA DEI MORSETTI
THERMAL EXPANSION VALVE	THERM. EXPANSIEKLEP	THERM. EXP.-VENT.	THERM. EXP.-VENT.	VÁLVULA DE EXPANSIÓN TÉRMICA	TERM. EXP.-VENT.	VALVOLA A ESPANSIONE TERMICA
THERMAL RELAY	THERMISCH RELAIS	RELAIS THERMIQUE	BIMETALLRELAIS	RELÉ TÉRMICO	TERMIKT RELÄ	TERMORELE'
THERMISTOR	TERMISTOR	THERMISTOR	THERMISTOR	TERMISTOR	TERMISTOR	TERMISTORE
THERMOMETER	TERMOMETRER	THERMOMÈTRE	THERMOMETER	TERMÓMETRO	TERMOMETRER	TERMOMETRO
THERMOSTAT	TERMOSTAAT	THERMOSTAT	THERMOSTAT	TERMOSTATO	TERMOSTAT	TERMOSTATO
THERMOSTATIC VALVE	TERMOST. KLEP	REGULATEUR A THERMOSTAT	TEMP. REGLER	VÁLV. TERMOSTÁTICA	TERMOST. VENTIL.	VALVOLA TERMOSTATICA
THREAD INSERT	INZETSTUK M. DRAAD	INSERTION FILETEE	GEWINDEEINSATZ	INTERCIÓN DE FILETEADO	GÅNGINSATS	FILETTATURA RIPORTATA
THREADED INSERT	INZETSTUK M. DRAAD	INSERTION FILETEE	GEWINDEEINSATZ	INSERCIÓN FILETEADA	GÅNGAD INSATS	INSERTO FILETTATO
THREADED PIPE	PIJP M. DRAAD	TUYAU FILETE	GEWINDERÖHR	TUBERÍA FILETEADA	GÅNGAT RÖR	TUBO FILETTATO
THREADED ROD	DRAADSTANG	TIE FILETEE	GEWINDESTANGE	BARRA FILETEADA	GÅNGAD STÅNG	STELO FILETTATO
THROTTLE	SMOORKLEP	ETRANGLEUR	DROSSELKLAPPE	PALANCA DE GASES	SPJÅLL	FARFALLA
THROTTLE HANDLE	HANDVAT SMOORKLEP	LEVIER D'ETRANGLEUR	DROSSELKLAPPENHEBEL	ASA DE LA PALANCA DE GASES	SPJÅLLHANDTAG	MANICO DI REGOLAZIONE
THROTTLE VALVE	SMOORKLEP	ETRANGLEUR	DROSSELVENTIL	VÁLVULA DE ESTRANGUL.	SPJÅLLVENTIL	VALVOLA DI STROZZAMENTO
THRUST BLOCK	DRUKLAGER	BLOC DE PRESSION	DRUCKSTÜCK	PIVOTE DE EMPUJE	TRYCKLAGER	CUSCINETTO REGGISPINTA
THYRISTOR	THYRISTOR	THYRISTOR	THYRISTOR	THYRISTOR	TYRISTOR	TRISTORE
TIE	BEVESTIGING	FIXER, FIXATION	VERBINDUNGSTEIL	CONEXIÓN	STAG	COLLEGAMENTO
TIE BAR	BEVESTIGINGSTANG	BARRE DE FIXATION	BEFEST. STANGE	BARRA DE SUJECCIÓN	FÅSTE	BARRA DI FISSAGGIO
TIE ROD	TREKSTAAF	BARRE D'ACCOUPEMENT	ZUGSTANGE	TIRANTE	PARALLELLSTAG	TIRANTE
TIE ROD END	TREKSTAAFHOUDER	TIRANT	ZUGSTANGENKOPF	PORATIRANTE	PARALLELLSTAGSÅNDA	TESTA DEL TIRANTE
TIGHTENER	SPANNER	TENDEUR	SPANNER	TENSOR	SPÄNNBLOK	TENDITORE
TIME RELAY	TIDRELAIS	RELAIS TEMPORISE	ZEITRELAIS	RELÉ TEMPORIZADO	TIDRELÄ	RELÉ A TEMPO
TIMER	TUJDSCHAKELAAR	MINUTERIE	ZEITGEBER	TEMPORIZADOR	TIMER	CONTATEMPO
TIMING BELT	TANDRIEM	COURROIE	SYNCHRONRIEMEN	CORREA DE TIEMPO	TIDSINSTÄLLNINGSBAND	CINGHIA DENTATA
TIMING GEARS	TANDRIEMSCHIJVEN	ENGRENAGES	STEUERGESTÄNGE	ENGRANAJES DE TIEMPO	TRANSMISSIONSDREV	INGRANAGGI DELLA DISTRIBUZIONE
TOGGLE SWITCH	KIPPSCHAKELAAR	COMMUTATEUR	KIPPSCHALTER	INTERR. DE PALANCA	VIPPSTRÖMBRYTARE	INTERRUTTORE CON LEVA A SCATTO
TOOL	GEREEDSCHAP	OUTIL	WERKZEUG	HERRAMIENTA	VERKTYG	UTENSILE
TOOLBOX	GEREEDSCHAPSKIST	BOÎTE A OUTILS	WERKZEUGKASTEN	CAJA DE HERRAMIENTAS	VERKTYGSLÅDA	CASSETTA UTENSILI
TOOLSET	GEREEDSCHAPSET	JEU D'OUTILS	WERKZEUGSATZ	JUEGO DE HERRAM.	VERKTYGSÅTS	SERIE DI UTENSILI
TOOTHED BELT	TANDRIEM	COURROIE CRANTEE	ZAHNRIEMEN	CORREA DENTADA	TANDAD REM	CINGHIA DENTATA
TOOTHED PULLEY	TANDRIEMSCHIJF	POULI DENTEE	ZAHNRIEMENSCHIEBE	POLEA DENTADA	TANDAD REMSKIVA	PULEGGIA DENTATA
TOP	BOVENSTE	SUPERIEUR	OBEN	PARTE SUPERIOR	TOPP	SOMMITA'
TORSION ARM	TORSIEARM	BRAS DE TORSION	TORSIONSARM	BRAZO DE TORSIÓN	TORSIONSARM	BRACCIO DI TORSIONE
TORSION BAR	TORSIESTAAF	BARRE DE TORSION	TORSIONSSTAB	BARRA DE TORSIÓN	TORSIONSSTAV	BARRA DI TORSIONE
TORSION BUSH	TORSIEBUS	MANCHON, TORSION	TORSIONSBUCHSE	BUJE DE TORSIÓN	TORSIONSBUSSNING	BUSSOLA DI TORSIONE
TOWBAR	TREKSTANG	BARRE D'ATTELAGE	ZUGSTANGE	BARRA DE REMOLQUE	DRAGSTÅNG	BARRA DI RIMORCHIO
TOWBAR DIN	TREKSTANG DIN	BARRE D'ATTELAGE DIN	ZUGSTANGE DIN	BARRA DE REMOLQUE DIN	DRAGSTÅNG DIN	BARRA DI RIMORCHIO DIN
TOWBAR EXTENSION	VERLENGING TREKSTANG	RALLONGE D'ATTELAGE	ZUGSTANGENVERLÄNGERUNG	EXTENSIÓN DE BARRA DE REMOLQUE	FÖRLÅNGNINGSSIVYKEDRAGSTÅNG	PROLUNGA DELLA BARRA DI RIMORCHIO
TOWBAR EYE	SLEEPOOG	ANNEAU D'ATTELAGE	ZUGSTANGENÖSE	OJO DE LA BARRA DE REMOLQUE	DRAGÖGLA	OCCHIONE DELLA BARRA DI RIMORCHIO
TOWING EYE	TREKOOG	ANNEAU DE REMORQUAGE	ZUGÖSE	ANILLA DE REMOLQUE	DRAGÖGLA	OCCHIONE DI TRAINO
TRAILER VERSION	SLEEPUITVOERING	VERSION REMORQUE	ANHÄNGERAUSE	TIPO REMOLQUE	SLÅPVAGNUTFÖRANDE	VERSIONE RIMORCHIO
TRANSFORMER	TRANSFORMATOR	TRANSFORMATEUR	TRANSFORMATOR	TRANSFORMADOR	TRANSFORMATOR	TRASFORMATORE
TRAY	DRUPPELKOLLEKTOR	COLLECTEUR, GOUITTES	TROPFKOLLEKTOR	COLECTOR DE GOTAS	DROPPSKYDD	VASSOIO
TRIP COIL	MAGNEETSPOEL	BOBINE DE DECLENCHEMENT	AUSLÖSESPULE	BOBINA DE DISPARO	UTLÖSNINGSSPOLE	BOBINA DI DISINNESTO
TROLLEY	ROLWAGENTJE	CHARRETTE	ROLLWÄGELCHEN	CARRETELLA	RULLVAGN	CARRELLO
TRUCK	VRACHTWAGEN	CAMION	LASTKRAFTWAGEN	CAMIÓN	LASTVAGN	AUTOCARRO
TUBE	BUIS	TUYAU	ROHR	TUBO	RÖR	TUBO
TUBE CLIP	BUISKLEMME	ATTACHE DE TUYAU	ROHRSCHELLE	CHAVETA DE TUBO	RÖRKLÄMMA	FERMAGLIO DEL TUBO
TUBE END	EINDE V. BUIS	EXTREMITÉ DE TUYAU	ROHRENDE	EXTREMO DE TUBO	RÖRÅNDA	ESTREMITÀ DEL TUBO
TURBINE	TURBINE	TURBINE	TURBINE	TURBINA	TURBINA	TURBINA
TURBO CHARGER	TURBOLADER	TURBOCHARGEUR	TURBOLADER	CARGADOR TURBO	TURBOLADDARE	SOVRALMENVARE CON TURBO COMP.
TURBO PIPE	PIJP V. TURBO	TUYAU TURBO	TURBORÖHR	TUBERÍA TURBO	TURBORÖR	TURBOTUBO
TURBOLATOR	TURBOLATOR	TURBOLATOR	TURBOLATOR	TURBOLATOR	TURBOLATOR	TURBOLATOR
TURN BUCKLE	SPANNER	TENDEUR	SPANNSCHLOSS	TENSOR	SPÄNNMUTTER	TENDITORE
TURN TABLE	DRAAITAFEL	TABLE PIVOTANTE, CARROUSSEL	DREHTISCH	MESA DE GIRO	VÄNDSKIVA	TAVOLO GIREVOLE
TWIN BALL VALVE	KLEP M. DUBBELE KOGEL	SOUPEPE A DEUX BILLES	DOUPPELKUGELVENTIL	VÁLVULA DE BOLAS GEMELAS	DUBBEL KULVENTIL	VALVOLA A SFERA GEMELLA
TWIN FILTER	DUBBEL FILTER	DOUBLE FILTRE	DOUPPELFILTER	FILTRO DOBLE	DUBBELFILTER	FILTRO GEMELLO
TYRE	BAND	PNEU	REIFEN	NEUMÁTICO	DÄCK	PNEUMATICO

U

U-BOLT	U-BOUT	BOULON EN U	U-BOLZEN	PERNO EN U	U-BULT	STAFFA FILETTATA AD "U"
U-PROFILE	U-PROFIEL	PROFIL EN U	U-PROFIL	PERFIL EN U	U-PROFIL	PROFILA A "U"
UNDERCARRIAGE	CHASSIS	CHASSIS	UNTERGESTELL	BASTIDOR	UNDERREDE	TALIAIO, CARRELLO
UNDERVOLTAGE RELAY	RELAIS LAGE SPANNING	RELAIS DE SOUS-TENSION	UNTERSÜNNUNGSRELAIS	RELÉ DE VOLTAJE BAJO	NOLLSPÄNNINGSRELÄ	RELE' DI MINIMA TENSIONE
UNION	PIJKOPPELING	RACCORD	VERSCHRAUBUNG	UNIÓN	RÖRKOPPLING	RACCORDO

ENGLISH NORSK DANSK ΕΛΛΗΝΙΚΑ PORTUGUÊS SUOMI

T						
T-CLIP	T-KLEMM	T-KLEMM	ΑΑΒΙΑ Τ	PINÇA EM TÊ	T-PINNE	
T-CONNECTOR	T-KOPLING	T-KOBLING	ΣΥΝΑΕΤΗΡΑΣ Τ	UNIÃO EM TÊ	T-LITIN	
T-HANDLE	THÅNDTAK	THÅNDTAG	ΑΑΒΗ Τ	PEGA EM TÊ	T-KAHTA	
T-PIPE	T-FORGRENING	T-FORGRENING	ΣΩΛΗΝΑΣ Τ	TUBO EM TÊ	T-PUTKI	
TACHO-CABLE	TURTELLEKABEL	TACHOMETERKABEL	ΚΑΛΩΔΙΟ ΤΑΧΥΜΕΤΡΟΥ	CABO-TACO	KIERROSLUKUMITTARIN JOHTO	
TACHOMETER	TURTELLER	TACHOMETER	ΤΑΧΥΜΕΤΡΟ	TAQUÍMETRO	KIERROSLUKUMITTARI	
TACHOMETER CABLE	TURTELLEKABEL	TACHOMETERKABEL	ΚΑΛΩΔΙΟ ΤΑΧΥΜΕΤΡΟΥ	CABO DO TAQUÍMETRO	KIERROSLUKUMITTARIN JOHTO	
TAIL LIGHT	BAKLYT	BAGLYGTE	ΜΗ ΦΥΣΙΟΛΟΓΙΚΟ ΦΩΣ	LUZ TRASEIRA	TAKAVALO	
TAIL PIPE	BAKKE RØR	BAGESTE RØR	ΣΩΛΗΝΑΣ ΕΞΑΓΩΓΗΣ	TUBO DE ASPIRAÇÃO DE BOMBA	PAKOPUTKI	
TANK	TANK	TANK	ΔΟΧΕΙΟ	TANQUE	SÄILIÖ	
TANK STRAP	TANKREM	TANKREM	ΚΟΛΑΡΟ ΔΕΞΑΜΕΝΗΣ	ALÇA DO TANQUE	SÄILJÖN SIDE	
TANK UNIT	TANKENHET	TANKENHED	ΜΟΝΑΔΑ ΔΕΞΑΜΕΝΗΣ	UNIDADE DE TANQUE	SÄILIÖ	
TAP	UTTAK	TAP	ΤΑΠΑ	TOMADA	HANA	
TAPE	TAPE	TAPE	ΤΑΙΝΙΑ	FTA	TEIPPI	
TAPER PIN	KONISK PINNE	KONISK STIFT	ΚΩΝΙΚΟΣ ΠΕΡΙΟΣ	PINO CÓNICO	KARTIOTAPPI	
TEE	T-RØR	T-STYKKE	ΑΝΤΙΚΕΦΙΜΕΝΟ ΣΧΗΜΑΤΟΣ Τ	EM FORMA DE T	T-KAPPALE	
TEE COUPLING	T-KOPLING	T-SAMLING	ΣΥΝΔΕΣΜΟΣ ΣΧΗΜΑΤΟΣ Τ	ACOPLAMENTO EM T	T-LITIN	
TEE HANDLE	THÅNDTAK	THÅNDTAG	ΑΑΒΗ Τ	PEGA EM TÊ	T-KAHTA	
TEMPERATURE GAUGE	TEMPERATURMÅLER	TEMPERATURMÅLER	ΜΕΤΡΗΤΗΣ ΕΛΕΓΧΟΥ ΘΕΡΜΟΚΡΑΣΙΑΣ	TERMÓMETRO	LÄMPÖMITTARI	
TEMPERATURE SENSOR	TEMPERATURFØLER	TEMPERATURFØLER	ΑΣΘΗΤΗΡΑΣ ΘΕΡΜΟΚΡΑΣΙΑΣ	SENSOR DE TEMPERATURA	LÄMPÖTILA-ANTURI	
TEMPERATURE SWITCH	TEMPERATURTAKOPLINGSBRYTER	TEMPERATURAFBRYDER	ΔΙΑΚΟΠΤΗΣ ΘΕΡΜΟΚΡΑΣΙΑΣ	INTERRUPTOR DE TEMPERATURA	LÄMPÖKYTKIN	
TEMPERATURE TRANSMITTER	TEMPERATURGIVER	TEMPERATURTRANSMITTER	ΕΚΠΟΜΠΟΣ ΘΕΡΜΟΤΗΤΑΣ	TRANSMISSOR DE TEMPERATURA	LÄMPÖTILALÄHETIN	
TENSION PULLEY	STRAMMESKIVE	STRAMMERULLE	ΕΦΕΑΚΥΟΜΕΝΗ ΤΡΟΧΑΛΙΑ	POLIA TENSORA	KIRSTYSRULLA	
TENSION SPRING	SPENDEFJEDER	SPENDEFJEDER	ΕΛΑΤΗΡΙΟ ΕΦΕΑΚΥΜΟΥ	MOLA DE TRACÇÃO	LITINSTYJSIUSI	
TENSIONER	STRAMMER	STRAMMER	ΕΝΤΑΤΗΡΑΣ	REGULADOR DE TENSÃO	KIRSTIN	
TERMINAL	KLEMM	TILSLUTNINGSKLEMM	ΑΚΡΟΔΕΚΤΗΣ	TERMINAL	LITIN	
TERMINAL BLOCK	KLEMMELIST	KLEMRÆKKE	ΟΜΑΔΑ ΑΚΡΟΔΕΚΤΩΝ	BLOCO TERMINAL	RIVILITIN	
TERMINAL BOARD	KLEMMPLATE	KLEMBRÆT	ΠΙΝΑΚΑΣ ΑΚΡΟΔΕΚΤΩΝ	QUADRO DE BORNES	LITINLUSTA	
TERMINAL BOARD PANEL	KLEMMPLATEPANELR	KLEMBRÆTPANEL	ΠΕΡΙΜΕΤΡΙΚΟΣ ΠΙΝΑΚΑΣ ΑΚΡΟΔΕΚΤΩΝ	PAINEL DA CHAPA DE BORNES	LITINPANEELI	
TERMINAL BOX	KLEMMEBOKS	KLEMKASSE	ΚΟΥΤΙ ΑΚΡΟΔΕΚΤΩΝ	CAIXA DE BORNES	LITINRASKIA	
TERMINAL COVER	KLEMMELOKK	KLEMKASSEDÆKSEL	ΚΑΛΥΜΜΑ ΑΚΡΟΔΕΚΤΗΣ	TAMPA DE BORNE	LITINRASKIAN KANSI	
TERMINAL PIN	KLEMMEPINNE	KLEMM	ΑΚΡΟΔΕΚΤΗΣ	BORNE	LITINLUSTAN NASTA	
TERMINAL PLATE	KLEMMPLATE	KLEMBRÆT	ΠΙΝΑΚΑΣ ΑΚΡΟΔΕΚΤΩΝ	PLACA TERMINAL	LITINLEVY	
THERMAL EXPANSION VALVE	TEMPERATURRELÉ	TERM. EKSP. VENT.	ΒΑΛΒΙΔΑ ΘΕΡΜΙΚΗΣ ΔΙΑΣΤΟΛΗΣ	VÁLVULA DE EXPANSÃO TÉRMICA	PAISUNTAVENTTILI	
THERMAL RELAY	TEMPERATURRELÉ	TERMOSTAT	ΘΕΡΜΙΚΟ ΡΕΛΕ	RELÉ TÉRMICO	LÄMPÖRELE	
THERMISTOR	TERMISTOR	TERMISTOR	ΘΕΡΜΙΣΤΟΡ	TERMISTOR	TERMISTORI	
THERMOMETER	TERMOMETER	TERMOMETER	ΘΕΡΜΟΜΕΤΡΟ	TERMÓMETRO	LÄMPÖMITTARI	
THERMOSTAT	TERMOSTAT	TERMOSTAT	ΘΕΡΜΟΣΤΑΤΗΣ	TERMOSTÁTO	TERMOSTAATTI	
THERMOSTATIC VALVE	TERMOSTATVENTIL	TERMOSTATVENTIL	ΘΕΡΜΟΣΤΑΤΙΚΗ ΒΑΛΒΙΔΑ	VÁLVULA TERMOSTÁTICA	TERMOSTAATVENTTILI	
THREAD INSERT	GEVINDINNSATS	GEVINDINNSATS	ΣΠΕΙΡΟΤΟΜΗΜΕΝΟ ΠΑΡΕΜΒΑΣΜΑ	INSERÇÃO DE ROSCA	KIERTEITETTY SISÄKAPPALE	
THREADED INSERT	GEVINGET INNSATS	GEVINDINNSATS	ΣΠΕΙΡΟΤΟΜΗΜΕΝΟ ΠΑΡΕΜΒΑΣΜΑ	INSERÇÃO ROSCADA	KIERTEITETTY SISÄKAPPALE	
THREADED PIPE	GEVINGET RØR	GEVINDRØR	ΣΠΕΙΡΟΤΟΜΗΜΕΝΟΣ ΣΩΛΗΝΑΣ	TUBO ROSCADO	KIERTEITETTY PUTKI	
THREADED ROD	GEVINGET STANG	GEVINDSTANG	ΣΠΕΙΡΟΤΟΜΗΜΕΝΗ ΡΑΒΔΟΣ	HASTE ROSCADA	KIERTEITETTY TANKO	
THROTTLE	SPIELD	SPIELD	ΓΚΑΖΙ	ESTRANGULADOR	KURISTUSLÄPPÄ	
THROTTLE HANDLE	SPIELDHÅNDTAK	SPIELDHÅNDTAG	ΑΑΒΗ ΓΚΑΖΙΟΥ	ALAVANCA DO ESTRANGULADOR	KURISTINKAHTA	
THROTTLE VALVE	SPIELVENTIL	GASSPIELD/DROSSELVENTIL	ΣΤΡΑΓΓΙΛΙΑ ΕΛΕΓΧΗΣ ΒΑΛΒΙΔΑΣ	VÁLVULA ESTRANGULADORA	KURISTUSVENTTILI	
THRUST BLOCK	AKSIALLAGER	AKSIALLEJE	ΩΣΤΙΚΟΣ ΤΡΙΒΕΛΑΣ	CHUMACEIRA DE IMPULSO	PAINELAAKERI	
THYRISTOR	TYRISTOR	TYRISTOR	ΘΥΡΕΣΤΟΡ	TIRISTOR	TYRISTORI	
TIE	STAG	TRÆKSTANG	ΔΕΤΗΡΑΣ	TIRANTE	KIINNITIN	
TIE BAR	TVERRSTAG	FORBINDELSSTANG	ΧΟΡΑΗ	BARRA DE FIXAÇÃO	SIDETANKO	
TIE ROD	PARALLELSTAG	TRÆKSTANG	ΧΟΡΑΗ	BIELA	RAIDETANKO	
TIE ROD END	PARALLELSTAGENDE	TRÆKSTANGSENDE	ΑΚΡΗ ΧΟΡΑΗΣ	CABEÇA DE BIELA	RAIDETANGON PÄÄ	
TIGHTENER	STRAMMERULLE	STRAMMER/STRAMMERULLE	ΣΥΣΦΙΚΤΗΡΑΣ	TENSOR	KIRSTIN	
TIME RELAY	TIDSRELÉ	TIDSRELÉ	ΧΡΟΝΙΚΟ ΡΕΛΕ	RELÉ TEMPORIZADO	AIKARELE	
TIMER	KONTAKTBRYTER	TIMER	ΧΡΟΝΟΜΕΤΡΟ	DISPOSITIVO REGULADOR DA IGNICÃO	KELLOKYTKIN	
TIMING BELT	REGISTERREM	TANDREM	ΙΜΑΝΤΑΣ ΧΡΟΝΙΣΜΟΥ	CORREIA DO DISTRIBUIDOR	HAMMASHIHNA	
TIMING GEARS	REGISTERHJUL	VENTILSTYRING	ΓΡΑΝΑΖΙΑ ΧΡΟΝΙΣΜΟΥ	ENGRENAGENS DO DISTRIBUIDOR	JAKOPYRÄSTÖ	
TOGGLE SWITCH	VIPPEBRYTER	VIPPEAFBRYDER	ΑΣΦΑΛΙΣΤΙΚΟ ΗΛΕΙΟΥ	INTERRUPTOR DE PATILHA	KEINUKYTKIN	
TOOL	VERKTØY	VÆRKTØJ	ΕΡΓΑΛΕΙΟ	FERRAMENTA	TYÖKALU	
TOOLBOX	VERKTØYKASSE	VÆRKTØJKASSE	ΕΡΓΑΛΕΙΟΦΗΚΗ	CAIXA DE FERRAMENTAS	TYÖKALUPAKKI	
TOOLSET	VERKTØYSETT	VÆRKTØYSSÆT	ΣΕΙΡΑ ΕΡΓΑΛΕΙΩΝ	JOGO DE FERRAMENTAS	TYÖKALUSARJA	
TOOTHED BELT	TANNET REM	TANDREM	ΟΔΟΝΤΩΤΟΣ ΙΜΑΝΤΑΣ	CORREIA DENTADA	HAMMASHIHNA	
TOOTHED PULLEY	TANNET REMSKIVE	TANDREMSHJUL	ΟΔΟΝΤΩΤΗ ΤΡΟΧΑΛΙΑ	POLIA DENTADA	HAMMASHIHNPÄYÖRÄ	
TOP	ØVRE	KOPYΦΗ	ΚΟΡΥΦΗ	TOPO	YLÄ	
TORSION ARM	TORSJONSARM	TORSIONSARM	ΒΡΑΧΙΟΝ ΑΣΤΡΕΠΗΣ	BRAÇO DE TORÇÃO	VÄÄNTÖVIPU	
TORSION BAR	TORSJONSSTAV	TORSIONSSTAV	ΡΑΒΔΟΣ ΣΤΡΕΠΗΣ	BARRA DE TORÇÃO	VÄÄNTÖSAUVA	
TORSION BUSH	TORSJONSØSSING	TORSIONSØSNING	ΑΝΤΙΤΡΙΒΙΚΟΣ ΑΚΤΥΛΙΟΣ ΣΤΡΕΠΗΣ	CASQUILHO DE TORÇÃO	VÄÄNTÖHOLKKI	
TOWBAR	TREKKSTANG	TRÆKSTANG	ΡΑΒΔΟΣ ΡΥΜΟΥ ΑΚΥΣΗΣ	BARRA DE REBOQUE	VETOAISA	
TOWBAR DIN	TREKKSTANG DIN	TRÆKSTANG DIN	ΡΑΒΔΟΣ ΡΥΜΟΥ ΑΚΗΣΗΣ ΚΑΤΑ ΔΙΝ	ESTRIDOR DA BARRA DE REBOQUE	VETOAISA DIN	
TOWBAR EXTENSION	TREKKSTANGFORLENGELSE	TRÆKSTANGSFØRLÆNGELSE	ΠΡΟΕΚΤΑΣΗ ΡΥΜΟΥ ΑΚΗΣΗΣ	PROLONGAMEN TO DA BARRA DE REBOQUE	VETOAISAN JATKE	
TOWBAR EYE	TREKKSTANGØYE	TRÆKSTANGSØJE	ΑΚΤΥΛΙΟΣ ΡΥΜΟΥ ΑΚΗΣΗΣ	OLHAL DA BARRA DE REBOQUE	VETOAISAN SILMUKKA	
TOWING EYE	SLEPEØYE	TRÆKØJE	ΑΚΤΥΛΙΟΣ ΡΥΜΟΥ ΑΚΗΣΗΣ	OLHAL DE REBOQUE	VETOSILMUKKA	
TRAILER VERSION	TILHÆNGER	TRAILERUDGAVE	ΕΚΔΟΣΗ ΡΥΜΟΥ ΑΚΟΥΜΕΝΟ ΤΡΟΧΟΦΟΡΟ	VERSÃO REBOQUE	PERÄVAUNUMALLI	
TRANSFORMER	TRANSFORMATOR	TRANSFORMATOR	ΜΕΤΑΣΧΗΜΑΤΗΣΤΗΣ	TRANSFORMADOR	MUUNTAJA	
TRAY	OLJEPANNE	BAKKE	ΟΡΙΖΟΝΤΙΟΣ ΔΕΚΟΣ	TABULEIRO	TIPPUSSUOJA	
TRIP COIL	RELÉSPOLE	UDLØSERSPOLE	ΠΗΝΙΟ ΔΙΑΚΟΠΗΣ, ΡΕΛΕ	BOBINE DE DISPARO	KYTKINKELA	
TROLLEY	TRALLE	RULLEVOGN	ΤΡΟΧΗΛΑΤΟ ΦΟΡΕΙΟ	CARRINHO	RULLAVAUNU	
TRUCK	LASTEBIL	LASTVOGN	ΦΟΡΤΗΓΟ	CAMião	KUORMA-AUTO	
TUBE	RØR	RØR	ΣΩΛΗΝΑΣ	TUBO	PUTKI	
TUBE CLIP	RØRKLEMM	RØRKLEMM	ΣΤΗΡΙΓΜΑ ΣΩΛΗΝΑ	BRAÇADEIRA DO TUBO	PUTKENPIDIKE	
TUBE END	RØRENDE	RØRENDE	ΑΚΡΟΣΩΛΗΝΑ, ΑΚΡΟΣΩΛΗΝΙΟ	EXTREMIDADE DO TUBO	PUTKEN PÄÄTYKAPPALE	
TURBINE	TURBIN	TURBINE	ΤΟΥΡΜΙΝΑ	TURBINA	TURBINI	
TURBO CHARGER	TURBOLADER	TURBOLADER	ΥΠΕΡΣΥΜΠΙΕΣΤΗΣ	TURBOCOMPRESSOR	TURBOAHDIN	
TURBO PIPE	TURBORØR	TURBORØR	ΣΩΛΗΝΑΣ ΥΠΕΡΣΥΜΠΙΕΣΤΗΣ	TURBOTUBO	TURBOPUTKI	
TURBOLATOR	TURBOLATOR	TURBOLATOR	ΣΤΡΟΒΙΛΙΣΤΗΡΑΣ	PROPULSOR TURBO	TURBOLATOR	
TURN BUCKLE	STREKKFISK	SPENDEMØTRIK	ΣΤΡΕΦΟΜΕΝΟΣ ΚΡΙΚΟΣ	SENSOR/ESTICADOR	KIRSTIN	
TURN TABLE	DREJEBORD	DREJEBORD/DREJEKRANS	ΠΛΑΤΟ	PLATAFORMA GIRATÓRIA	KÄÄNTÖPÖYTTÄ	
TWIN BALL VALVE	DOBBELT KULEVENTIL	DOBBELT KUGLEVENTIL	ΔΙΠΛΗ ΣΦΑΙΡΙΚΗ ΒΑΛΒΙΔΑ	VÁLVULA ESFÉRICA DUPLA	KAKSOISPALLOVENTTILI	
TWIN FILTER	DOBBELT FILTER	DOBBELT FILTER	ΔΙΠΛΟ ΦΙΛΤΡΟ	FILTRO DUPLO	KAKSOISSUODATIN	
TYRE	DEKK	DÆK	ΑΑΣΤΙΧΟ	PNEU	RENGAS	

U						
U-BOLT	U-BOLT	U-BOLT	ΚΟΧΛΙΑΣ ΣΧΗΜΑΤΟΣ U	BRAÇADEIRA	U-PULTTI	
U-PROFILE	U-PROFIL	U-PROFIL	ΔΙΑΤΟΜΗ U	PERFIL EM U	U-PROFILI	
UNDERCARRIAGE	UNDERSTELL	UNDERLAG	ΣΥΣΤΗΜΑ ΠΡΟΣΓΕΙΩΣΗΣ	BASE	ALAVANU	
UNDERVOLTAGE RELAY	UNDERSPENNINGSRELÉ	UNDERSPENNINGSRELÉ	ΡΕΛΕ ΠΙΝΣΗΣ ΤΑΣΗΣ	RELÉ DE TENSÃO MÍNIMA	ALJÄNNITERELE	
UNION	KOPLING	SAMLESTYKKE	ΣΩΜΑΤΕΙΟ	UNIÃO	PUTKILITIN	

ENGLISH	NEDERLANDS	FRANCAIS	DEUTSCH	ESPAÑOL	SVENSKA	ITALIANO
UNION ELBOW	PIJKOPPELING, KNE-	COUDE DE RACCORDEMENT	WINKEL-VERBINDUNGSSTÜTZEN	CODO DE UNIÓN	KOPPLINGSKNÄ	GOMITO DI RACCORDO
UNIT, BATT. SENS.	EENH. BATTERIJSENSOR	UNITÉ, SENS. DE BATTERIE	EINH. BATT.FÜHLER	UN., SENSOR DE BATERÍA	ENHET, BATTGIVARE	UNITÀ, SENSORE BATT.
UNIT, OIL PRESS.	EENHEID, OLIEDRUK	DISP. PRESSION D'HUILE	EINHEIT, ÖLDRUCK	DISP. PRESIÓN DE ACEITE	ENHET, OLJETRYCK	UNITÀ, PRESS. OLIO
UNIT, WATER TEMP.	EENH. WATERTEMPERATUUR	DISP. TEMPERATURE D'EAU	EINH. WASSERTEMP.	DISP. TEMP. AGUA	ENHET, VATTENTEMP.	UNITÀ, TEMP. ACQUA
UNL. CLAW	ONTLASTKLAUW	GRIFFE DE DECHARGE	ENTLASTUNGSKLAUE	GARRA DE DESCARGA	AVLASTNINGSKLO	GRIFFA DI SCARICO
UNL. VALVE	ONTLASTVENTIEL	SOUPAPE DE DECHARGE	ENTLASTUNGSVENTIL	VÁLV. DE DESCARGA	AVLASTNINGSVENTIL	VALVOLA DI MESSA A VUOTO
UNLOAD YOKE	ONTLASTJUK	PALANCHE DE DECHARGEMENT	ENTLADUNGSJOCH	BRIDA DESCARGADA	AVLASTNINGSSOK	GIOGO DI SCARICO
UNLOADER	ONTLADER	DECHARGEUR	ENTLADER	DESCARGADOR	AVLASTNINGSENHET	GRUPPO DI MESSA A VUOTO
UPPER	BOVENSTE	SUPERIEUR	OBERN	SUPERIOR	ÖVRE	SUPERIORE

V

V-CLAMP	V-KLEM	COLLIER COURROIE TRAPEZ.	V-KLEMME	ABRAZADERA EN V	KILREMSKLÄMMA	MORSETTO A "V"
V-PULLEY	V-RIEMSCHIJF	POULIE COURROIE TRAPEZ.	KEILRIEMENSCHIEBE	POLEA EN V	KILREMSLAGER	PULEGGIA A "V"
V-BELT	V-RIEM	COURROIE TRAPEZOÏDALE	KEILRIEMEN	CORREA TRAPEZOÏDAL	KILREM	CINGHIA TRAPEZOÏDALE
V-BELT GUARD	V-RIEMKAST	PROTEC., COURROIE	KEILRIEMENSCHUTZ	GUARDACORREA TRAPEZ.	KILREMSSKYDD	PROTEZIONE CINGHIA
V-BELT SET	V-RIEMSET	JEU DE COURROIES TRAP.	KEILRIEMENSATZ	JUEGO DE CORR. TRAPEZ.	SATS KILREMMAR	SERIE DI CINGHIE TRAPEZOÏDALE
VACUUM GAUGE	VACUÛMMETER	INDICATEUR DE VIDE	VAKUUMMETER	VACUÓMETRO	VÁKUUMMÄTARE	INDICATORE DI DEPRESSIONE
VACUUM SWITCH	VACUÛMSCHAKELAAR	INTERRUPTEUR DE VIDE	VAKUUMSCHALTER	INTERRUPTOR DE VACÍO	VAKUUMBRYTARE	INTERRUTTORE A DEPRESSIONE
VALVE	KLEP	SOUPAPE, VANNE	VENTIL	VÁLVULA	VENTIL	VALVOLA
VALVE - BY PASS	BY-PASS KLEP	VANNE BY-PASS	UMGEHUNGSVENTIL	VÁLVULA DE DERIVACIÓN	ÖVERSTRÖMNINGSVENTIL	VALVOLA BY-PASS
VALVE 3-WAY	3-WEG KLEP	VANNE A TROIS VOIES	DREIWEGEVENTIL	VÁLVULA DE TRES VÍAS	TREVÅGSVENTIL	VALVOLA A TRE VIE
VALVE ASSEMBLY	KLEP, COMPLEET	SOUPAPE, COMPLETE	VENTIL, KOMPL.	SISTEMA DE VÁLVULAS	VENTIL, KOMPL.	GRUPPO DELLA VALVOLA
VALVE BASE	KLEPVOET	BASE DE CLAPET	RÖHRENSOCKEL	BASE DE VÁLVULA	VENTILBAS	BASE DELLA VALVOLA
VALVE BOLT	TAPEIND	BOULON DE CLAPET	VENTILBOLZEN	PERNO DE VÁLVULA	VENTILBULT	BULLONE DELLA VALVOLA
VALVE BONNET	KLEPDEKSEL	CHAPEAU DE CLAPET	VENTILHAUBE	CASQUETE DE VÁLV.	VENTILHAIT	COPERCHIO VALVOLA
VALVE COVER	KLEPDEKSEL	COUVERCLE DE CLAPET	VENTILDECKEL	TAPA DE VÁLVULA	VENTILLOCK	CALOTTA DELLA VALVOLA
VALVE DISC	KLEPPLAAT	DISQUE DE CLAPET	VENTILTELLER	DISCO DE VÁLVULA	VENTILSKIVA	DISCO DELLA VALVOLA
VALVE FOUR WAY	4-WEG KLEP	VANNE A QUATRE VOIES	VIERWEGEVENTIL	VÁLVULA DE CUATRO VÍAS	FYRVÄGSVENTIL	VALVOLA A QUATTRO VIE
VALVE GUARD	KLEPVANGER	BUTEE DE CLAPET	VENTILSCHUTZ	GUARDAVÁLVULA	VENTILFÄNGARE	PROTEZIONE DELLA VALVOLA
VALVE GUIDE	KLEPGELEIDER	GUIDE DE CLAPET	VENTILFÜHRUNG	GUÍA DE VÁLVULA	VENTILSTYRNING	GUIDA DELLA VALVOLA
VALVE HOUSING	KLEPHUIS	BOÎTIER DE CLAPET	VENTILGEHÄUSE	CUERPO DE LA VÁLVULA	VENTILHUS	CORPO DELLA VALVOLA
VALVE NUT	KLEPMOER	ECROU DE CLAPET	VENTILMUTTER	TUERCA DE VÁLVULA	VENTILMUTTER	DADO DELLA VALVOLA
VALVE PISTON	KLEPZUIGER	CLAPET DU PISTON	VENTILKOLBEN	PISTÓN DE LA VÁLVULA	STRYPPINNE	PISTONE DELLA VALVOLA
VALVE RETAINER	KLEPHOUDER	RETENEU DE CLAPET	VENTILKÄFIG	RETÉN DE VÁLVULA	VENTILHÄLLARE	FERMO DELLA VALVOLA
VALVE ROD	KLEPSTANG	TIGE SE SOUPAPE	VENTILSTANGE	BARRA DE LA VÁLVULA	VENTILSKAFT	STILO DELLA VALVOLA
VALVE SEAT	KLEPZITTING	SIEGE DE CLAPET	VENTILSITZ	ASIENTO DE LA VÁLVULA	VENTILSÅTE	SEDE VALVOLA
VALVE SOLENOID	MAGNEETKLEP	SOUPAPE A SOLENOÏDE	MAGNETVENTIL	VÁLVULADE ACCIONAMIENTO MAGN.	VENTILSOLENOID	VALVOLA SOLENOÏDE
VENT VALVE	AFBLAASKLEP	SOUPAPE D'EVENT	ENTLÜFTUNGSVENTIL	VÁLV. DE VENTILACIÓN	LUFTNINGSVENTIL	VALVOLA DI SFATO
VESSEL	VAT	RESERVOIR	BEHÄLTER	DEPÓSITO	BEHÄLLARE	SERBATOIO
VIBR. ABSORBER	TRILLINGSDEMPEM	AMORTISSEUR DE VIBR.	SCHWINGUNGSDÄMPFER	ABSORBENTE DE LAS VIBRACIONES	VIBRATIONSDÄMPARE	VIBROASSORBITORE
VIBR. CONTROL BOX	TRILLINGSCONTROLE KAST	COFF. CONTROLE VIBRAT.	VIBR. KONTR.-KAST.	CAJA DE CONTROL DE VIBR.	VIBR. MANÖVERSKÅP	ARMADIO DI CONTROLLO VIB.
VITON	VITON	VITON	VITON	VITON	VITON	VITON
VOLTAGE REGUL.	SPANNINGSREGELAAR	REGULATEUR DE TENSION	SPANNUNGSREGLER	REGULADOR DE VOLTAJE	SPÄNNINGSREGUL.	REGOLATORE DI TENSIONE
VOLTAGE SWITCH	SPANNINGSCHAKELAAR	COMMUTATEUR DE TENSION	SPANNUNGSSCHALTER	INTERRUPTOR DE VOLTAJE	SPÄNNINGSBRYTARE	INTERRUTTORE DELLA TENSIONE
VOLTMETER	VOLTMETER	VOLTMÈTRE	VOLTMETER	VOLTÍMETRO	SPÄNNINGSMÄTARE	VOLTIMETRO

W

WARNING DEVICE	VERKLIKKER	DIPOSITIF D'AVERTISSEMENT	WARNANLAGE	DISP. DE AVISO	VARNINGSSINDIKATOR	DISPOSITIVO DI ALLARME
WARNING LABEL	WAARSCHUWINGSPLAATJE	LABEL D'AVERTISSEMENT	WARNUNGSSCHILD	ETIQUETA DE ATENCIÓN	VARNINGSSKYLT	ETICHETTA DI AVVERTIMENTO
WARNING MARK	WAARSCHUWINGSPLAATJE	PLAQUETTE D'AVERTISSEMENT	WARNPLATTE	PLACA DE AVISO	VARNINGSSKYLT	SEGNO DI AVVERTIMENTO
WARNING SWITCH	WAARSCHUWINGSSCHAKELAAR	COMMUTATEUR D'AVERTISS.	WARNSCHALTER	INTERRUPTOR DE EMERGENCIA	VARNINGSSBRYTARE	INTERRUTTORE DI ALLARME
WARRANTY	GARANTIE	GARANTIE	GARANTIE	GARANTÍA	GARANTIA	GARANZIA
WASHER	ONDERLEGPLAATJE	RONDELLE	UNTERLEGSCHIEBE	ARANDELA	BRICKA	RONDELLA
WATER FILTER	WATERFILTER	FILTRE A EAU	WASSERFILTER	FILTRO DE AGUA	VATTENFILTER	FILTRO DELL'ACQUA
WATER PIPE	WATERBUIS	TUYAU A EAU	WASSERROHR	TUBERÍA DE AGUA	VATTENRÖR	TUBO DELL'ACQUA
WATER RECEIVER	WATERRESERVOIR	RESERVOIR D'EAU	WASSERBEHÄLTER	RECEPTOR DEL AGUA	VATTENBEHÄLLARE	SERBATOIO PER L'ACQUA
WATER SEPARATOR	WATERAFSCHEIDER	SEPARATEUR D'EAU	WASSERABSCHIEDER	SEPARADOR DE AGUA	VATTENAVSKILJARE	SEPARATORE DELL'ACQUA
WATER TANK	WATERKANK	RESERVOIR D'EAU	WASSERBEHÄLTER	DEPÓSITO DE AGUA	VATTENTANK	SERBATOIO DELL'ACQUA
WATER TEMPERATURE GAUGE	WATERTEMPERATUURMETER	SONDE DE TEMP. DE L'EAU	WASSERTEMPÉRATURMESSER	ÍNDICE DE LA TEMP. DEL AGUA	VATTENTEMPÉRATURMÄTARE	TERMOMETRO PER L'ACQUA
WATER TEMPERATURE SWITCH	WATERTEMPERATUURSCHAKELAAR	COMM. TEMP. DE L'EAU	WASSERTEMPÉRATURSCHALTER	INTERR. DE LA TEMP. DEL AGUA	VATTENTERMOSTAT	TERMOSTATO PER L'ACQUA
WATER TUBE	WATERLEIDING	TUYAU A EAU	WASSERROHR	TUBO DE AGUA	VATTENRÖR	TUBO DELL'ACQUA
WAVE SPRING	GEGOLFDE VEERING	BAGUE A RESSORT ONDULÉE	FEDERRING	MUELLE ONDULADO	VÅGFJÄDER	MOLLA ONDULATA
WEDGE	WIG	CLAVETTE	KEIL	CHAVETA	KIL	CUNEO
WELDING BEND	LASBOCHT	COUDE SOUDE	GESCHWEISSTES WINKELSTÜCK	CURVA DE SOLDADURA	SVETSKRÖK	NODO DI SALDATURA
WELDING CAP	LASDOP	CHAPEAU SOUDE	SCHWEISSKAPPE	CUBIERTA DE SOLDADURA	SVETSLÖCK	CAFFELLO DI SALDATURA
WELDING FLANGE	LASFLENS	BRIDE SOUDE	AUFSCHEISSFLANSCH	PERNO DE SOLDADURA	SVETSLÄNS	FLANGIA DI SALDATURA
WELDING NUT	LASMOER	ECROU DE SOUDAGE	AUFSCHEISSMUTTER	TUERCA DE SOLDADURA	SVETSMUTTER	DADO DI SALDATURA
WHEEL	WIEL	ROUE	RAD	RUEDA	HJUL	RUOTA
WHEEL BOLT	WIELBOUT	BOULON DE ROUE	RADSCHRAUBE	VOLANTE DEL PERNO	HJULBULT	BULLONE DELLA RUOTA
WHEEL CHOCKS	WIELBLOKKEN	CHOC DE ROUE	UNTERLEGEKEILE	CALZOS DEL VOLANTE	BROMSKLOSSAR	CEPPI
WHEEL HOUSING	BEHUIZING V. WIEL	BOITIER DE ROUE	RADGEHÄUSE	CARCASA DEL VOLANTE	HJULHUS	ALLOGGIAMENTO DELLA RUOTA
WHEEL STUD	TAPEIND V. WIEL	GOUPILLE DE ROUE	RADBOLZEN	ESPÁRRAGO DEL VOLANTE	HJULBULT	PRIGIONIERO DELLA RUOTA
WINDOW	VENSTER	FENÊTRE	FENSTER	FENSTANILLA	FÖNSTER	FINESTRA
WINDOW PLATE	VENSTERPLAAT	PLAQUE DE FENÊTRE	FENSTERPLATTE	PLACA DE LA VENTANA	FÖNSTERPLÅT	PIASTRA DELLA FINESTRA
WING NUT	VLEUGELMOER	ECROU PAPILLON	FLÜGELMUTTER	TUERCA MARIPOSA	VINGMUTTER	DADO AD ALETTE
WING SCREW	VLEUGELSCHROEF	VIS PAPILLON	FLÜGELSCHRAUBE	TORNILLO MARIPOSA	VINGSKRUV	VITE AD ALETTE
WIPER	VEGER	ESSUIE-GLACE	WISCHER	CONTACTO DESLIZANTE	TORKARE	ECCENTRICO
WIRE	KABEL	CABLE	DRAHT	ALAMBRE	KABEL	CONDUTTORE
WIRE CLAMP	KABELKLEM	COSSE DE CABLE	DRAHTKLAMMER	ABRAZADERA DE ALAMBRE	KABELKLÄMMA	FERMAGLIO PER CONDUTTORE
WIRE DUCT	KABELHOUDER	COSSE DE CABLE	DRAHTSCHUTZ	CANALETA DE CABLE	KABELHÄLLARE	PROTEZIONE CONDUTTORI
WIRE HARNESS	KABELBOOM	TORON DES CABLES	DRAHTBÜNDEL	CONJUNTO DE CABLES	KABELSATS	CABLAGGIO PREASSEMBLATO
WIRE MESH HOSE	SLANG V. DRAADGAAS	FLEXIBLE A CABLES	SCHLAUCHMIT DRAHTVERSTÄRKUNG	TUBO DE MALLA DE ALAMBRE	SLANG NÅTBANDSTRANSPORTÖR	TUBO A MAGLIE PER CONDUTTORE
WIRING	BEDRADING	CABLAGE	VERDRAHTUNG	TENDIDO ELÉCTRICO	KABELLEDNING	IMPIANTO
WOOL	WOL	LAINE	WOLLE	LANA	ULL	LANA
WORM	WORM	VIS SANS FIN	SCHNECKE	TORNILLO SIN FIN	SNÄCK	VITE SENZA-FINE
WORM GEAR	WORMAANDRIJVING	ENTRAINEMENT VIS SANS FIN	SCHNECKENGETRIEBE	ENGRAN. HELICOÏDAL	SNÄCKDREV	RUOTA ELICOIDALE/GRUPPO VITEROOTA
WORM WHEEL	WORMWIEL	ROUE A VIS SANS FIN	SCHNECKENRAD	RUEDA HELICOÏDAL	SNÄCKHJUL	RUOTA ELICOIDALE

Y

Y-COUPLING	Y-KOPPELING	RACCORD EN Y	Y-KUPPLUNG	ACOPLAMIENTO EN Y	Y-KOPPLING	ACCOPIAMENTO A Y
Y-PIPE	Y-BUIS	TUYAU EN Y	Y-ROHR	TUBERÍA EN Y	Y-RÖR	TUBO A "Y"
YOKE	JUK	PALANCHE	JOCH	HORQUILLA	OK	GIOGO

Z

Z-PROFILE	Z-PROFIEL	PROFIL EN Z	Z-PROFIL	PERFIL EN Z	Z-PROFIL	PROFILO A "Z"
ZN-PLATED	VERZINKT	GALVANISÉ	GALVANISIERT	BAÑADO DE CINC	GALVANISERAD	ZINCATO

ENGLISH	NORSK	DANSK	ΕΛΛΗΝΙΚΑ	PORTUGUÊS	SUOMI
UNION ELBOW UNIT, BATT. SENS. UNIT, OIL PRESS. UNIT, WATER TEMP. UNL. CLAW UNL. VALVE UNLOAD YOKE UNLOADER UPPER	KOPLINGSKNE ENHET, BATT.FØLER ENHET, OLJETRYKK ENHET VANNTEMP. AVLASTINGSKLO AVLASTINGSVENTIL AVLASTINGSÅK AVLASTINGSENHET ØVRE	VINKELUNION BATTERIFØLERENHED OLJETRYKSENHED VANDTEMPERATURSAGGREGAT AFLASTNINGSKLO AFLASTNINGSVENTIL AFLASTNINGSÅG AFLASTNINGSENHED ØVRE DEL	ΓΩΝΙΑΚΟ ΠΑΚΟΡ ΜΟΝΑΔΑ, ΑΣΘΗΤΗΡΑΣ ΜΠΛΑΤΑ ΠΛΑΣ ΜΟΝΑΔΑ, ΠΙΣΤΗ ΕΛΑΙΟΥ ΜΟΝΑΔΑ, ΘΕΡΜΟΚΡΑΣΙΑ ΝΕΡΟΥ ΓΑΝΤΣΟΣ ΕΚΦΟΡΤΩΣΗΣ ΒΑΛΒΙΔΑ ΕΚΦΟΡΤΩΣΗΣ ΖΥΓΟΣ ΕΚΦΟΡΤΩΤΗ ΕΚΦΟΡΤΩΤΗΣ ΑΝΩΤΕΡΟ	UNIÃO EM COTOVELO UNIDADE SENSORA DA BATERIA UNIDADE DE PRESSÃO DE ÓLEO UNIDADE DE TEMP. DE ÁGUA GARRA DE DESCARGA VÁLVULA DE ALÍVIO GARFO DE DESCARGA DESCARREGADOR SUPERIOR	POLVIILITIN AKUN VARAUSANTURI ÖLJYNPAINKEYSIKKÖ VEDEN LÄMPÖTILA-YKSIKKÖ KEVENNYSKYNSI KEVENNYSVENTTILI KEVENNYSIES KEVENNYSLAITE YLEMPI
V					
V-CLAMP V-PULLEY V-BELT V-BELT GUARD V-BELT SET VACUUM GAUGE VACUUM SWITCH VALVE VALVE - BY PASS VALVE 3-WAY VALVE ASSEMBLY VALVE BASE VALVE BOLT VALVE BONNET VALVE COVER VALVE DISC VALVE FOUR WAY VALVE GUARD VALVE GUIDE VALVE HOUSING VALVE NUT VALVE PISTON VALVE RETAINER VALVE ROD VALVE SEAT VALVE SOLENOID VENT VALVE VESSEL VIBR. ABSORBER VIBR. CONTROL BOX VITON VOLTAGE REGUL. VOLTAGE SWITCH VOLTMETER	V-KLEMME REMSKIVE KILEREM KILEREMVERN KILEREMSETT VAKUUMMÄLER VAKUUMBRYTER VENTIL BYPASS-VENTIL 3-VEIS VENTIL VENTILSETT VENTILBUNN VENTILBOLT VENTILDEKSEL VENTILLOK SPJELD 4-VEIS VENTIL VENTILVERN VENTILFØRING VENTILHUS VENTILMUTTER VENTILSTEMPEL VENTILHOLDER VENTILSTANG VENTILSETE MAGNETVENTIL UTLUFNINGSVENTIL VESSEL VIBRASJONSDÆMPER VIBR. APPARATSKAP VITON SPENNINGREGUL. SPENNINGSBRYTER SPENNINGSMÄLER	V-KLEMME KILEREMSKIVE KILEREM KILEREMSSKERM KILEREMSSÆT VACUUMMÄLER VACUUMAFBRYDER VENTIL BYPASS-VENTIL 3-VEJS VENTIL VENTILSET VENTILUNDERLAG VENTILBOLT VENTILHÆTTE VENTILSKERM VENTILKEGLE 4-VEJS VENTIL VENTILANSLAG VENTILSTYR VENTILHUS VENTILMØTRIK VENTILSTEMPEL VENTILHOLDER VENTILSTANG VENTILSEDE MAGNETVENTIL UDLUFNINGSVENTIL BEHOLDER VIBRATIONS DÆMPER VIBRATIONSKONTROLBOKS VITON SPENDINGREGULATOR SPENDINGSKONTAKT VOLTMETER	ΣΦΙΚΤΗΡΑΣ V ΡΟΧΑΛΙΑ V ΙΜΑΝ ΤΑΣ ΣΧΗΜΑΤΟΣ V ΠΡΟΦΥΛΑΚΤΗΡΑΣ ΙΜΑΝΤΑΣΧΗΜΑΤΟΣ V ΣΕΙΡΑ ΙΜΑΝΤΩΝ V ΜΕΤΡΗΤΗΣ ΕΛΕΓΧΟΥ ΚΕΝΟΥ ΔΙΑΚΟΙΤΗΣ ΚΕΝΟΥ ΒΑΛΒΙΑ ΒΑΛΒΙΑ ΠΑΡΑΚΑΜΨΗΣ ΤΡΙΟΔΗ ΒΑΛΒΙΑ ΣΥΓΚΡΟΤΗΜΑ ΒΑΛΒΙΑΣ ΒΑΣΗ ΒΑΛΒΙΑΣ ΚΟΧΛΙΑΣ ΒΑΛΒΙΑΣ ΚΑΛΥΠΤΡΑ ΒΑΛΒΙΑΣ ΚΑΛΥΜΜΑ ΒΑΛΒΙΑΣ ΔΕΚΟΙΛΗΣ ΒΑΛΒΙΑ ΤΕΤΡΑΟΔΗ ΒΑΛΒΙΑ ΠΡΟΦΥΛΑΚΤΗΡΑΣ ΒΑΛΒΙΑΣ ΟΔΗΓΟΣ ΒΑΛΒΙΑΣ ΚΑΙΧΑ ΔΕ ΒΑΛΒΙΑΣ ΠΕΡΙΚΟΧΛΙΑ ΒΑΛΒΙΑΣ ΕΜΒΟΛΟ ΒΑΛΒΙΑΣ ΣΥΓΚΡΑΤΗΤΗΣ ΒΑΛΒΙΑΣ ΑΞΟΝΑΣ ΒΑΛΒΙΑΣ ΕΡΑ ΒΑΛΒΙΑΣ ΗΛΕΚΤΡΟΜΑΓΝΗΤΙΚΗ ΒΑΛΒΙΑ ΒΑΛΒΙΑ ΕΞ ΑΕΡΙΣΜΟΥ ΔΟΧΕΙΟ ΑΠΟΣΒΕΣΤΗΡΑΣ ΚΡΑΣΜΩΜΩΝ, ΑΜΟΡΤΙΣΕΡ ΚΙΒΩΤΙΟ ΑΠΟΣΒΕΣΗΣ ΚΡΑΣΜΩΜΩΝ VITON ΡΥΘΜΙΣΤΗΣ ΤΑΣΕΩΣ ΔΙΑΚΟΙΤΗΣ ΤΑΣΗΣ ΒΟΛΤΜΕΤΡΟ	BRAÇADEIRA EM V POLIA EM V CORREIA TRAPEZOIDAL PROTEÇÃO DA CORREIA TRAPEZOIDAL JOGO DE CORREIAS TRAPEZOIDAIS VACUÔMETRO INTERRUPTOR DE VÁCUO VÁLVULA VÁLVULA DE DESVIO VÁLVULA DE TRÊS VIAS CONJUNTO DA VÁLVULA BASE DE VÁLVULA PARAFUSO DA VÁLVULA CAPACETE DA VÁLVULA TAMPA DA VÁLVULA DISCO DA VÁLVULA VÁLVULA DE QUATRO VIAS PROTEÇÃO DA VÁLVULA GUIA DA VÁLVULA CAIXA DA VÁLVULA PORCA DA VÁLVULA ÊMBOLA DA VÁLVULA RETENTOR DA VÁLVULA HASTE DA VÁLVULA SEDE DA VÁLVULA VÁLVULA DE SOLENOÍDE VÁLVULA DE VENTILAÇÃO RESERVATÓRIO AMORTECEDOR DE VIBRAÇÕES CAIXA DE CONTROLE DE VIBRAÇÕES VITON REGULADOR DE TENSÃO INTERRUPTOR DE TENSÃO VOLTÍMETRO	V-KIINNITIN KIILAHINNAPYÖRÄ KIILAHINNA KIILAHINNAN SUOJUS KIILAHINNASARJIA ALIPAINEMITTARI ALIPAINKEYTKIN VENTTILI OHITUSVENTTILI 3-TIEVENTTILI VENTTILIASENNELMA VENTTILIN KANTA VENTTILIN KARA VENTTILIN HATTU VENTTILIN KANSI VENTTILILAUTANEN 4-TIEVENTTILI VENTTILIN RAJOITIN VENTTILIN OHAIN VENTTILIKAMMIO VENTTILIN MUTTERI VENTTILIN MÄNTÄ VENTTILIN PIDIN VENTTILIN KARA VENTTILIN ISTUKKA MAGNEETTIVENTTILI ILMANPÖISTOVENTTILI ASTIA VÄRÄHTELYNVAIMENNIN VÄRÄHTELYN SÄÄTÖKOTELO VITON JÄNNITTEENSÄÄDIN JÄNNITEKYTKIN VOLTIMITTARI
W					
WARNING DEVICE WARNING LABEL WARNING MARK WARNING SWITCH WARRANTY WASHER WATER FILTER WATER PIPE WATER RECEIVER WATER SEPARATOR WATER TANK WATER TEMPERATURE GAUGE WATER TEMPERATURE SWITCH WATER TUBE WAVE SPRING WEDGE WELDING BEND WELDING CAP WELDING FLANGE WELDING NUT WHEEL WHEEL BOLT WHEEL CHOCKS WHEEL HOUSING WHEEL STUD WINDOW WINDOW PLATE WING NUT WING SCREW WIPER WIRE WIRE CLAMP WIRE DUCT WIRE HARNESS WIRE MESH HOSE WIRING WOOL WORM WORM GEAR WORM WHEEL	VARSELINDIKATOR VARSELMERKE VARSELSKILT VARSELBRYTER GARANTI SKIVE VANNFILTER VANNRØR VANNBEHOLDER VANNSEPARATOR VANNTANK VANNTEMPERATURMÄLER VANNTEMPERATURBRYTER VANNSLANGE BØLGEFJÆR KILE SVEISEBEND SVEISESKJERM SVEISEFLANS SVEISEMUTTER HJUL HJULBOLT HJULKILER HJULKASSE HJULTAPP VINDU VINDUSPLATE VINGEMUTTER VINGESKRUE VINDUSVISKER WIRE WIREKLEMME KABELHOLDER LEDNINGSNETT ARMERT SLANGE LEDNINGER ULL SNEKKE SNEKKEDREV SNEKKEHJUL	ADVARSELANORDNING ADVARSELSETIKET ADVARSELSSKILT ADVARSELKONTAKT GARANTI SPENDESKIVE VANDFILTER VANDRØR VANDBEHOLDER VANDSEPARATOR VANDTANK VANDTEMPERATURMÄLER VANDTEMPERATURAFBRYDER VANDSLANGE BØLGEFJEDER KILE SVEISEBØJNING SVEISESKJERM SVEISEFLANGE SVEISEMØTRIK HJUL HJULBOLT STOPKLODSE HJULKASSE HJULTAP VINDUE VINDUESPLADE VINGEMØTRIK VINGESKRUE VINDUESVISKER KABEL WIRE WIREKLEMME KABEL-WIRE-HOLDER KABEL-WIRE-SET ARMERET SLANGE LEDNINGER ULD SNEKKE SNEKKEDREV SNEKKEHJUL	ΣΥΣΤΗΜΑ ΠΡΟΕΙΔΟΠΟΙΗΣΗΣ ΠΡΟΕΙΔΟΠΟΙΗΤΙΚΗ ΕΤΙΚΕΤΑ ΠΡΟΕΙΔΟΠΟΙΗΤΙΚΗ ΕΝΔΕΙΞΗ ΔΙΑΚΟΙΤΗΣ ΠΡΟΕΙΔΟΠΟΙΗΣΗΣ ΕΓΓΥΗΣΗ ΡΟΔΕΛΛΑ ΦΙΛΤΡΟ ΝΕΡΟΥ ΣΩΛΗΝΑΣ ΝΕΡΟΥ ΣΥΛΛΕΚΤΗΣ ΝΕΡΟΥ ΔΙΑΧΩΡΙΣΤΗΡΑΣ ΝΕΡΟΥ ΔΟΧΕΙΟ ΝΕΡΟΥ ΘΕΡΜΟΚΡΑΣΙΑΣ ΝΕΡΟΥ ΔΙΑΚΟΙΤΗΣ ΘΕΡΜΟΚΡΑΣΙΑΣ ΝΕΡΟΥ ΣΩΛΗΝΑΣ ΝΕΡΟΥ ΚΥΜΑΤΟΕΙΛΗΣ ΕΑΛΤΗΡΙΟ ΣΦΗΝΑ ΣΥΓΚΟΛΛΗΤΗ ΚΑΜΙΗ ΣΥΓΚΟΛΛΗΤΟ ΚΑΠΑΚΙ ΣΥΓΚΟΛΛΗΤΗ ΦΑΝΤΖΑ ΣΥΓΚΟΛΛΗΤΟ ΠΕΡΙΚΟΧΛΙΑ ΤΡΟΧΟΣ ΜΠΟΥΛΟΝΙ ΤΡΟΧΟΥ ΤΑΚΟΙ ΤΡΟΧΩΝ ΚΑΛΥΜΜΑ ΤΡΟΧΟΥ ΠΕΡΙΟΣ ΤΡΟΧΟΥ ΠΑΡΑΘΥΡΟ ΤΖΑΜΙ ΠΑΡΑΘΥΡΟΥ ΠΤΕΡΥΓΩΤΟ ΠΕΡΙΚΟΧΛΙΑ ΠΤΕΡΥΓΩΤΟΣ ΚΟΧΛΙΑΣ ΥΑΛΟΚΑΘΑΡΙΣΤΗΡΑΣ ΣΥΡΜΑ, ΚΑΛΩΔΙΟ, ΑΤΩΓΟΣ ΣΦΙΚΤΗΡΑΣ ΚΑΛΩΔΙΟΥ ΑΤΩΓΟΣ ΣΥΡΜΑΤΟΣ ΣΥΝΔΕΣΜΟΛΟΓΙΑ ΣΥΡΜΑΤΩΝ ΕΛΑΣΤΙΚΟΣΩΛΗΝΑΣ ΠΛΕΞΟΥΛΑΣ ΚΑΛΩΔΙΩΝ ΚΑΛΩΔΙΩΣΗ ΒΑΜΒΑΚΑΣ ΑΤΕΡΜΩΝ ΑΤΕΡΜΩΝ ΚΟΧΛΙΑΣ ΑΤΕΡΜΩΝ ΟΑΘΝ ΤΟ ΤΡΟΧΟΣ	DISPOSITIVO DE AVISO ETIQUETA DE AVISO MARCA DE AVISO INTERRUPTOR DE AVISO GARANTIA ANILHA FILTRO DE ÁGUA CANO DE ÁGUA RESERVATÓRIO DE ÁGUA SEPARADOR DE ÁGUA TANQUE DE ÁGUA TERMÔMETRO DA ÁGUA INTERRUPTOR DE TEMPERATURA DA ÁGUA TUBO DE ÁGUA ANILHA DE MOLA CUNHA CURVATURA DE SOLDAGEM TAMPA DE SOLDAGEM FLANGE DE SOLDAR PORCA DE SOLDAR RODA / VOLANTE PARAFUSO DA RODA CALÇOS DA RODA TAMPÃO DA RODA RODA INTERMEDIÁRIA JANELA PLACA DA JANELA PORCA DE ORELHAS PARAFUSO DE ORELHAS ALAVANCA DE CONTACTO CABO BRAÇADEIRA DE CABO PROTEÇÃO DE CABOS CHICOTE DE CABOS MANGUEIRA EM TELA DE ARAME CABLAGEM LÃ PARAFUSO SEM FIM ENGRENAGEM HELICOIDAL ENGRENAGEM HELICOIDAL	VAROITUSLAITE VAROITUSTARRA VAROITUSKILPI VAROITUSKYTKIN TAKUU ALUSLAATTA VEDENSUODATIN VESIPUTKI VESSILÖT SEPARATORIN VESISÄILIÖ VEDEN LÄMPÖTILA VEDENLÄMPÖTILAKYTKIN VESIJUHTO AALTOJOUSI KIILA HITSATTU MUTKA HITSATTU KANSI HITSATTU LAIPPA HITSATTU MUTTERI PYÖRÄ PYÖRÄN PULTTI VIERINTÄESTEET PYÖRÄN PESÄ PYÖRÄN VAARNARUUVI IKKUNA IKKUNARUUTU SIIPIMUTTERI SIIPIRUUVI PYYHIN JOHTO JOHTOPURISTIN KAAPELIKOURU JOHDINSARJIA METALLIKUDOSVAHVIKKEINEN LETKU JOHDOTUS VILLA KIERUKKA KIERUKKAVAHDIE KIERUKKAPYÖRÄ
Y					
Y-COUPLING Y-PIPE YOKE	STJERNEKOPLING GRENØR ÅK	Y-SAMLING Y-RØR ÅG	ΣΥΝΔΕΣΜΟΣ ΣΧΗΜΑΤΟΣ Y ΣΩΛΗΝΑΣ ΣΧΗΜΑΤΟΣ Y ΖΥΓΟΣ	ACOPLAMENTO EM Y TUBO EM Y FORQUILHA	Y-LIITIN Y-PUTKI IES
Z					
Z-PROFILE ZN-PLATED	Z-PROFIL GALVANISERT	Z-PROFIL GALVANISERET	ΔΙΑΤΟΜΗ Z ΕΠΙΠΕΔΑΡΓΥΡΩΜΕΝΟΣ	PERFIL EM Z ZINCADO	Z-PROFILI SINKITTY



Parts List for AC Generators

QIX40 Dd

