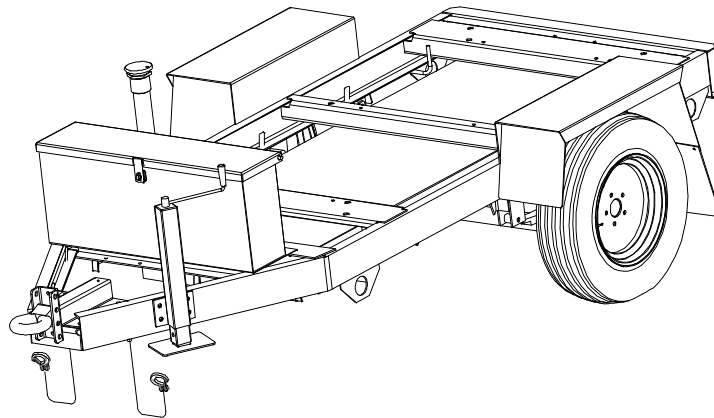




# Parts Manual

## AC Gen Set Trailer 4100 Series

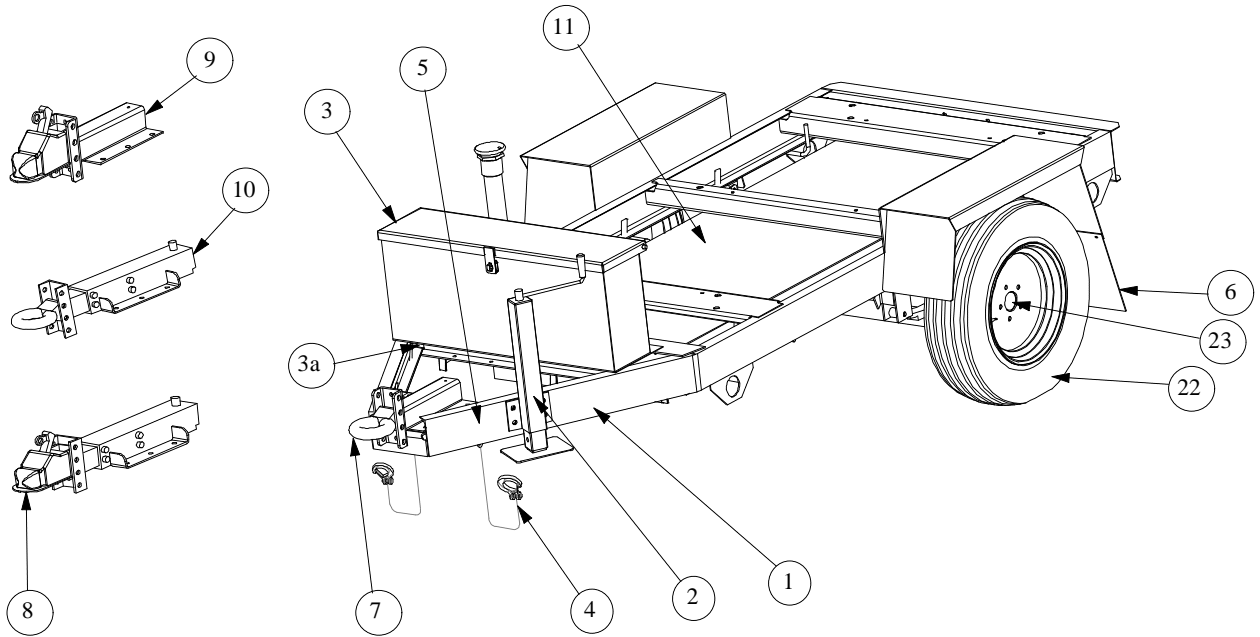
Trailers for QAS 28 & 38



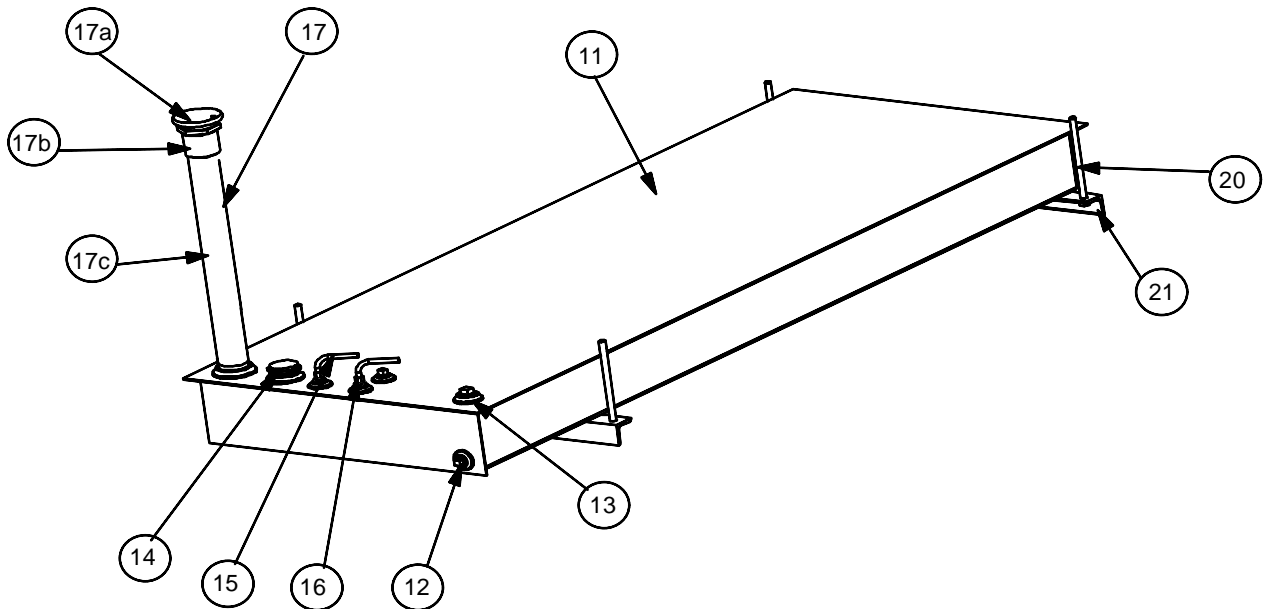
Revision Date: 02-07-00

# Reference Drawings

Trailer assembly - 4100 series



## Tank Assembly - 50 gallon



## Component Identification

### N11-4100 Series General

Ref Number	Part Number	Qty	Description
1	29369	1	Frame
2	28667	1	Tongue jack (4) ½ x 1 ½ - HHCS Gr5, (4) ½ Nylock nut
3 3a	28561	1	Tool box (2) ½ x 1 ¼ HHCS Gr5, (2) ½ Nylock nut (2) 3/8 x 1 HHCS Gr5, (2) 3/8 FW, (2) 3/8 Nylock nut (2) 29472 Tab
4	29615	2	Safety chain, ¼ " w/ hook
5	29029	2	Safety chain anchor (2) 5/16 x 1 HHCS Gr5, (2) 5/16 Nylock nut
6	29244	2	Mud flap, Alas Copco (4) ¼ x ¾ HHCS Gr5, (4) ¼ FW, (4) Nylock nut
7	29693	1	3" towing eye - gloss black (2) 5/8 x 4 ½ HHCS Gr5, (2) 5/8 Nylock nut
8	31945	1	2" ball coupler - gloss black (2) 5/8 x 4 ½ HHCS Gr5, (2) 5/8 Nylock nut
9	29332	1	Tow bar, <i>Idler and EB only</i> (6) ½ x 1 ¼ HHCS Gr5, (6) ½ Nylock nut

### Electrical

Ref Number	Part Number	Qty	Description
	09267	1	License plate lamp
	09268R	2	Reflector, red
	12709	2	Marker light, red
	12710	2	Marker light, yellow
	12711	4	Marker light grommet
	12838	2	Tail light assembly, sealed
	28687	1	Wire harness, <i>Idler &amp; HB</i>
	29775	1	Wire harness, <i>EB only</i>
	10713	1	Breakaway switch, <i>EB only</i>
	29974	1	Emergency brake wire, <i>EB only</i>

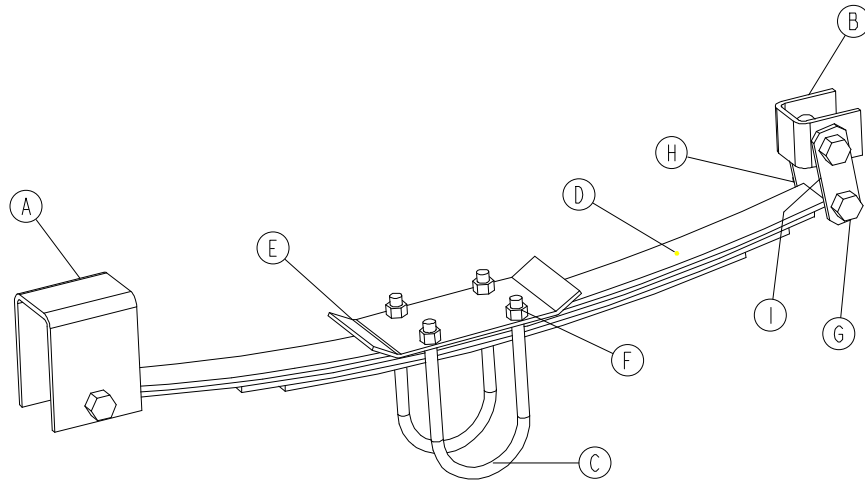
**N11-4100 Series****Hydraulic - Hydraulic brake trailers only**

Ref Number	Part Number	Qty	Description
10	30007	1	Actuator (6) ½ x 1 ¼ HHCS Gr5, (6) ½ Nylock nut
	31407	1	Shield
	12914	1	Tube, 3/16 x 10"
	29619	2	Tube, 3/16 x 84"
	29634	2	Hose, 18"
	29636	2	Hose clip
	29638	1	Tee, 3/16"
	32596	2	Hose Bracket

**Fuel Tank**

Ref Number	Part Number	Qty	Description
11	30322	1	Tank -50 gal, single wall
12	07311	2	Plug, ½" npt - steel
13	29613	1	Plug, 1" npt - steel
14	12479	1	Fuel gauge
15	30149	2	Suction & return tube
16	29909	2	Compression fitting
17 17a 17b 17c	29311	1	Fill pipe assembly (1) 28048 Prevent cap (1) 28049 2" coupling (1) 29306 2" x 22" fill pipe
20	29370	4	Bolt, ½ -13 x 8
21	29594	2	Tank hanger bar, gloss black
	30332	1	Tank - 50 gal, double wall

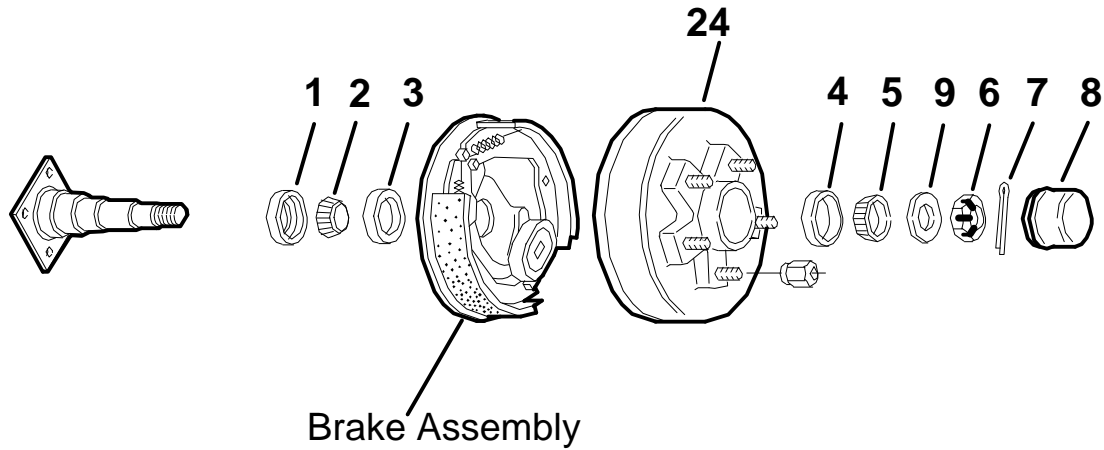
**N11-4100 Series  
Running Gear**



Ref Number	Part Number	Qty	Description
A	25399	2	Front spring hanger
B	08090	2	Rear spring hanger
C*	15364	4	U-bolt
D*	15828	2	Spring
E*	15188	2	Tie plate
F*	15331	8	U-bolt nut
G	08094	6	Shackle bolt, 9/16 x 3"
H	08095	6	Shackle bolt lock nut, 9/16
I	08093	4	Shackle plate
22	14478	2	T&W assembly, ST205/75R15 LRC 15962 Tire, 10085 Wheel
23	29043	1	Axle assy, 3500 lb, 4" drop, <i>Idler only</i>
23	29368	1	Axle assy, 3500 lb, 4" drop, <i>HB only</i>
23	29367	1	Axle assy, 3500 lb, 4" drop, <i>EB only</i>

\* included in axle assembly

**N11-4100 Series, N11-4500 Series, and N11-4200 Series  
 Axle Component Kits  
 Axle 3500#, Hub group 545, Brakes 10 x 2 1/4**



Part Number	Description
36972	<b>Hub-Drum</b> w/bearings and hardware includes items 24, and 1 - 9 shown above
15771	<b>Hub, Idler</b> w/bearings and hardware includes idler hub (ns) and items 1 - 9 shown above
36973	<b>Bearing Kit</b> includes items 1 - 9 shown above 1. 15290 Grease Seal 2. 15310 Inner Bearing Cone 3. 15300 Inner Bearing Cup 4. 15282 Outer Bearing Cup 5. 15283 Outer Bearing Cone 6. -TBA- Spindle Nut 7. 24058 Cotter Pin 8. 15232 Grease Cap 9. 15327 Spindle Washer
15769	<b>Brake Asy</b> , complete lh, electric
15770	<b>Brake Asy</b> , complete rh, electric
15777	<b>Brake Asy</b> , complete lh, hydraulic free backing
15778	<b>Brake Asy</b> , complete rh, hydraulic free backing

**N11-4100  
Series Kits:**

Ref Number	Part Number	Qty	Description
	N11-4406	1	<b>Fuel Suction &amp; Return Kit</b> (2) 29910 washer, copper (2) 29911 fitting, barb (4) 29912 clamp, worm gear (2) 29913 hose, pushlock 3/8" x 8' (2) 31341 locknut, tiger grip 1/2" (2) 31343 connector, aluminum 1/2" - 1 1/4"
	N11-4407	1	<b>Fuel Tank Interconnection Kit</b> (1) 29920 ball valve, 1/2" brass (1) 29921 adapter, O-ring, special (1) 29922 adapter 2404-8-8 (1) 29923 adapter 6501-8-8 (2) 29924 adapter, pushlok BF272-8-8 (1) 29925 hose, pushlok 1/2" x 2' blk.
	N11-4419	1	<b>QAS Fuel Connection Kit</b> (1) 32127 fuel connection w.a. (1) 32130 coupling reducer (1) 32131 gasket (1) 31344 cable connector
	N11-4410	1	<b>Generator Mounting Hardware</b> (6) 5/8-11 x 1-1/2" hhcs (6) 5/8-11 nylok (6) 5/8 flat washer
	N11-4413	1	<b>Tool box Mounting Hardware</b> (2) 29472 plate (4) 3/8-16 x 1-1/2" hhcs (4) 3/8 -16 nylok (8) 3/8 flat washer

**Accessories:**

Ref Number	Part Number	Qty	Description
	N11-4401		<b>Spare Tire kit</b> (1) 14478 T&W Asy ST205/75R15 LRC (2) 29651 bracket (2) 29652 plate (4) 1/2"-13 x 3-1/2" hhcs (4) 1/2"-13 nylok nut (8) 1/2" flatwasher (2) lugnuts
	N11-4404		<b>Stabilzer Jack</b> (1) 29684 jack (2) 1/2"-13 x 1-1/2" hhcs (2) 1/2"-13 nylok nut
	N11-4417		<b>Low Fuel Switch Kit</b> (1) 34405 switch Assembly (1) 34084 bushing 1" x 1/4" (1) 34085 compression Fitting 5/16" (1) 29912 clamp (8 ft) 34402 loom