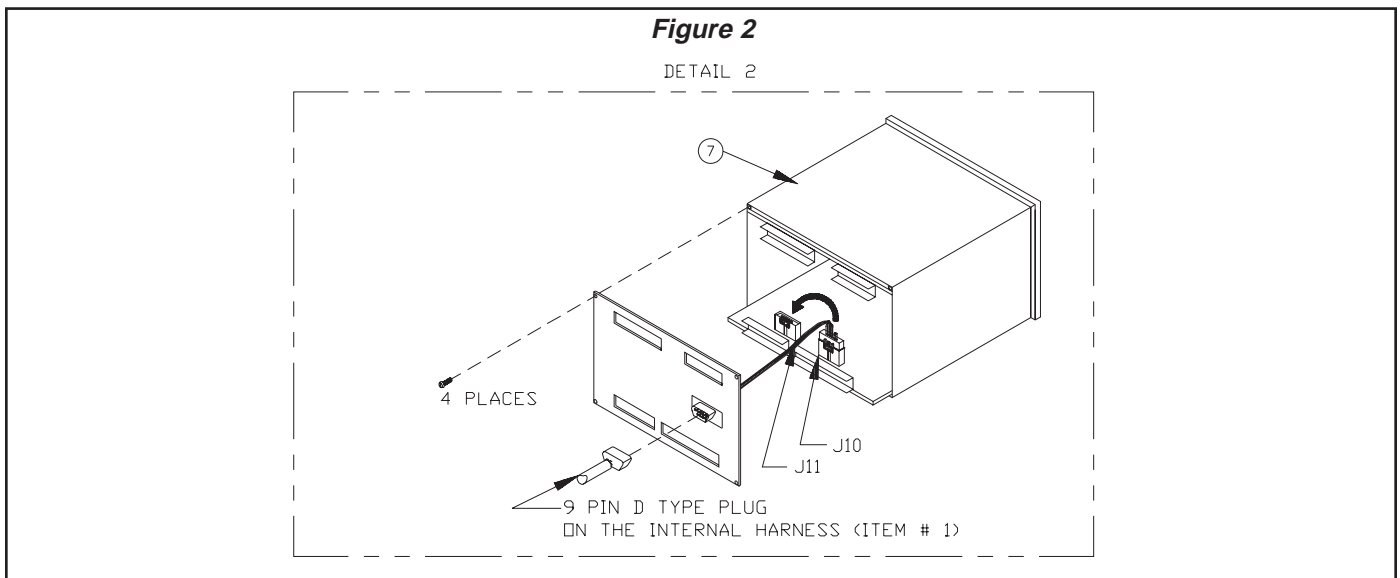


Installation Instructions

**CONNECTION KIT,
E-PANEL TO REMOTE
ANNUNCIATOR**

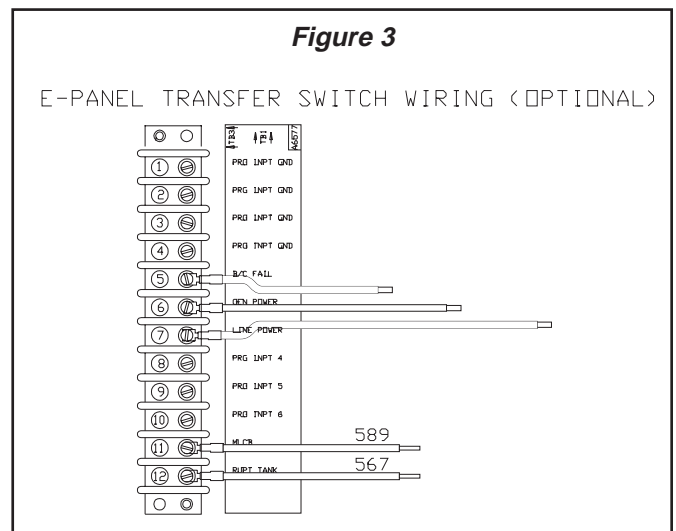
GENERAC[®]
POWER SYSTEMS, INC.

1. Install TB4 (Item 6) as shown on the E-panel Top View (Figure 1).
 - a. Drill two holes as shown in Detail 1 (Figure 1) using a #25 drill bit.
 - b. Fasten into place using taptite screws (Item 3), then attach label (Item 2) as shown in Figure 1.
2. Move the 7-wire harness from J10 to J11 (see Figure2).
 - a. Open the back of the E-panel control assembly (Item 7)(see Figure 2). Locate the wire harness that runs from the 9-pin D-type connector on the inside of the control assembly to J10 on the lower circuit board.
 - b. Remove the 7-pin connector at J10 by pressing the locking tab and pulling up.
 - c. Insert the 7-pin connector into the J11 plug. Verify that the locking tab has snapped into place.
 - d. Close the back of the E-panel control assembly.
3. Plug the D-type 9-pin connector of the E-panel/annunciator harness into the back of the E-panel control assembly (see Figure 2).
4. Connect the remaining two wires to TB1 as shown in Figure 1.

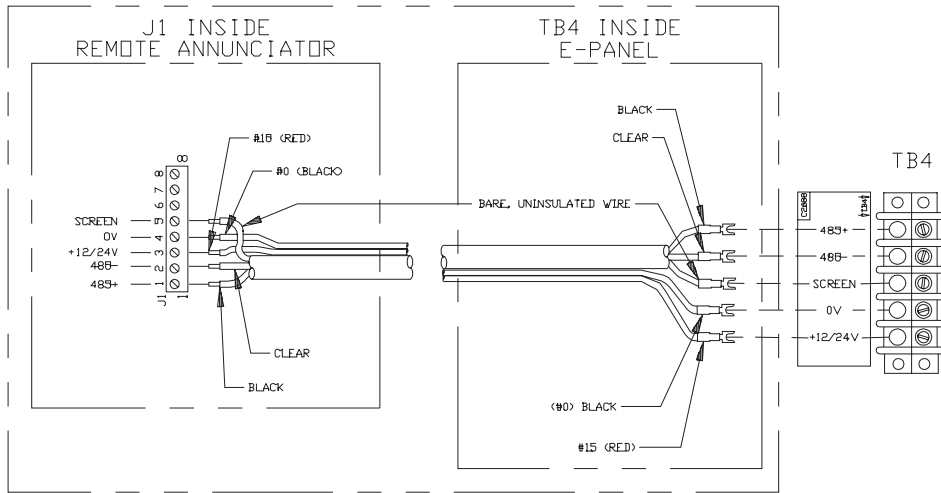


E-PANEL TRANSFER SWITCH WIRING (OPTIONAL)

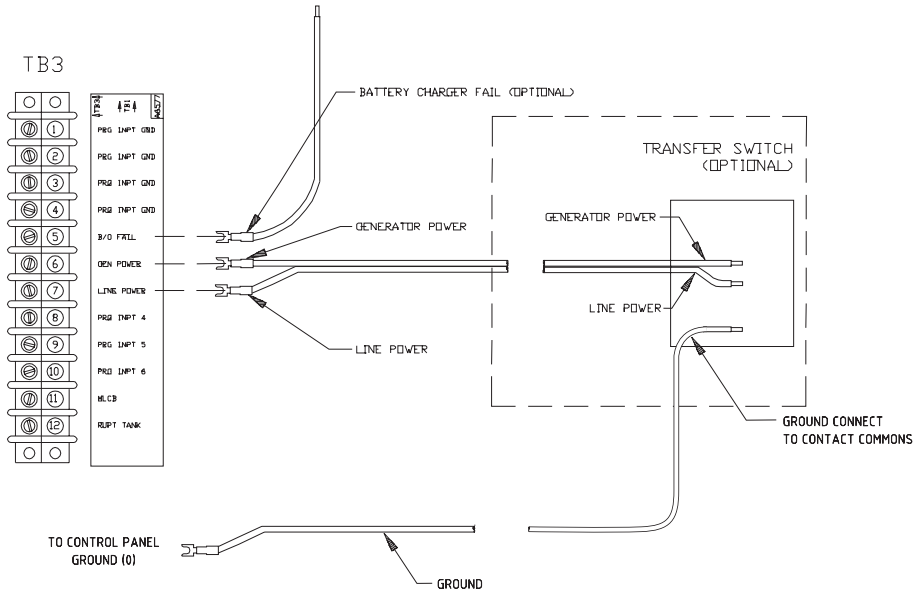
1. Move wire 589 on TB3 pin 5 to pin 11 (see Figure 3).
2. Move wire 567 on TB3 pin 6 to pin 12.
3. Wire battery charger contact (if required) to TB3 pin 5.
4. Wire generator power contact (if required) to TB3 pin 6.
5. Wire line power contact (if required) to TB3 pin 7.
6. If necessary, reprogram the alarms and associated text.
 - User digital input 1 always, non latch, "CHARGER FAILURE."
 - User digital input 2 alarm disabled, non latch, "GENERATOR POWER".
 - User digital input 3 alarm disabled, non latch, "LINE POWER."
 - User digital input 4 "USER PROGRAMMABLE."
 - User digital input 5 "USER PROGRAMMABLE."
 - User digital input 6 "USER PROGRAMMABLE."
 - User digital input 7 always, non latch, "MLCB CLOSED."
 - User digital input 8 always, latched, "RUPTURED TANK."



CUSTOMER CONNECTIONS



NOTES: REQUIRED WIRE GAUGE FOR LENGTH OF RUN.
 18 AWG UP TO 1200 FT.
 24 AWG UP TO 250 FT.



WIRING DIAGRAM FOR CUSTOMER CONNECTION OF THE
 E-PANEL TO REMOTE ANNUNCIATOR.