

GENERAC[®]

POWER SYSTEMS, INC.

GR-50
Operation and
Maintenance Manual

Standby Output 44 kW (54 kVA)
Prime Output 41 kW (51 kVA)

Liquid-cooled
Diesel Engine
Generator Set

Model No. 004059-0 (Trailerized)
004359-0 (w/o Trailer)

INTRODUCTION

This Owner's Manual was prepared especially for the purpose of familiarizing personnel with the operation and servicing of the applicable equipment.

Every effort was expended to make sure that the information and instructions in the Manual are accurate and current at the time the Manual was written. However, the manufacturer reserves the right to change, alter or otherwise improve product(s) at any time without prior notice.



CAUTION: Read all instructions and safety rules before attempting to operate or service this (and related) equipment. Protect yourself and others by strictly complying with these instructions and rules. Failure to comply with these safety rules may result in personal injury, death or damage to equipment and/or property. Retain these instructions for future reference.

■ READ THIS MANUAL THOROUGHLY

If you do not understand any portion of this manual, contact Generac or your nearest Generac Authorized Service Dealer for starting, operating and servicing procedures.

Throughout this publication, and on tags and decals affixed to the generator, DANGER, WARNING, CAUTION and NOTE blocks are used to alert you to special instructions about a particular operation that may be hazardous if performed incorrectly or carelessly. Observe them carefully.

These safety warnings cannot eliminate the hazards that they indicate. Common sense and strict compliance with the special instructions while performing the service are essential to preventing accidents.

The following definitions apply to DANGER, WARNING, CAUTION and NOTE blocks found throughout the manual.



DANGER: After this heading, you can read handling, installing, operating or servicing instructions that, if not strictly complied with, will result in personal injury.



WARNING: After this heading, you can read handling, installing, operating or servicing instructions that, if not strictly complied with, may result in personal injury.



CAUTION: After this heading, you can read instructions for handling, installing, operating or servicing the generator that, if not strictly complied with, could result in damage to equipment and/or property.

NOTE: After this heading, you can read explanatory statements that require special emphasis.

These symbols indicate the following:



Points out important safety information that, if not followed, could endanger personal safety and/or property of you and others.



Points out potential explosion hazard.



Points out potential fire hazard.



Points out potential electrical shock hazard.

The operator is responsible for proper and safe use of the equipment. We strongly recommend that the operator read this *Owner's Manual* and thoroughly understand all instructions before using this equipment. We also strongly recommend instructing other users to properly start and operate the unit. This prepares them if they need to operate the equipment in an emergency.

■ OPERATION AND MAINTENANCE

It is the operator's responsibility to perform all safety checks, to make sure that all maintenance for safe operation is performed promptly, and to have the equipment checked by an authorized dealer periodically. Normal maintenance service and replacement of parts are the responsibility of the owner/operator and, as such, are not considered defects in materials or workmanship within the terms of the warranty. Individual operating habits and usage contribute to the need for maintenance service.

Proper maintenance and care of your generator ensures a minimum number of problems and keeps operating expenses at a minimum. See your Generac authorized dealer/distributor for service aids and accessories.

■ HOW TO OBTAIN SERVICE

When the generator set requires servicing or repairs, simply contact an authorized service facility for assistance. Service technicians are factory-trained and are capable of handling all service needs.

When contacting an authorized service facility or the factory about parts and service, always supply the complete model number, serial number, and vin number of the unit as given on its data decal.

The warranty on the generator is included in this *Owner's Manual*, as well as listings for repair parts.

INTRODUCTION	Inside Front Cover	Low Coolant Level Sensor	12
Read This Manual Thoroughly	Inside Front Cover	DC Control/Latch-Crank Circuit Board	13
Operation and Maintenance	Inside Front Cover	Engine Startup	13
How to Obtain Service	Inside Front Cover	After Fault Shutdown	13
SERVICE DEALER LOCATION	1	Overspeed.....	13
SAFETY RULES	2-3	Overcrank Shutdown.....	13
IDENTIFICATION RECORD	4	OPERATING INSTRUCTIONS	13
Data Plate	4	Before Starting	13
EQUIPMENT DESCRIPTION	4	Starting the Engine	13
Standard Generator Features	4	Shut Down	13
Generator Specifications.....	4	Operation In Ice Or Snow	13
Engine Specifications	4	Grounding the Generator	13
INSTALLATION	5	Ground Fault Protection	14
Standby Electric System	5-6	MAINTENANCE	14
EMERGENCY CIRCUIT ISOLATION	6	100-Hour Break In Period.....	14
TOTAL CIRCUIT ISOLATION	6-7	100-Hour Break In	14
PREPARATION BEFORE USE	7	RECOMMENDED ENGINE FLUIDS	15
Engine Lubrication	7	Engine Oil	15
Engine Coolant	7	Engine Coolant	15
Fuel.....	7	Supplemental Coolant Additives.....	15
Cord Sets - 120 Volts GFCI Duplex Receptacle	7-8	Fuel.....	15
120 Volt Locking Type Receptacle	8	CHECKING FLUID LEVELS	15
120/208 to 139/240 Volts, 50 Amp Locking Type Receptacle.....	8	Engine Oil	15
Full Capacity Terminal Compression Lugs	8-9	Engine Coolant	16
Transfer Switch Terminal	9-10	Fuel.....	16
Starting Battery.....	10	OWNER/OPERATOR PERIODIC MAINTENANCE	16
SWITCHES, METERS AND LIGHTS	10	BLEEDING THE FUEL SYSTEM	17
AC Voltmeter	10	PERIODIC MAINTENANCE LIST	17
AC Ammeter	10	Daily	17
Frequency Meter.....	11	Every 50 Hours or 2 Weeks	17
Oil Pressure Gauge	11	Every 250 Hours.....	17
Coolant Temperature Gauge.....	11	Every 600 Hours or 12 Months.....	17
DC Ammeter	11	Every 1200 Hours or 24 Months.....	17
Hourmeter.....	11	Every 2000 Hours.....	17
System Ready Lamp	11	ADJUSTMENT OF FUEL INJECTION TIMING	17
Pre-Heat Switch	11	ENGINE SPEED ADJUSTMENT	17
Fault Indicator Lamp	11	VOLTAGE REGULATOR ADJUSTMENT	18
Start/Run/Off Switch	11	GENERATOR ROTOR BEARING	18
Auto/Off/Manual Switch	11	MAJOR REPAIRS	18
Panel Light	12	How to Order Parts	18
Voltage Adjust Dial	12	WIRING DIAGRAMS/SCHEMATICS	19-25
Phase Selection Switch	12	EXPLODED VIEWS	26-43
ENGINE PROTECTIVE DEVICES	12	NOTES	44-46
Low Oil Pressure Switch.....	12	WARRANTIES	47-Back Cover
High Coolant Temperature Switch	12		

SERVICE DEALER LOCATION

TO LOCATE THE NEAREST GENERAC SERVICING DEALER, PLEASE CALL OUR 800 NUMBER.
ONLY DEALER LOCATION INFORMATION CAN BE OBTAINED AT THIS NUMBER.

1-800-333-1322



THE MANUFACTURER SUGGESTS THAT THESE RULES FOR SAFE OPERATION BE COPIED AND POSTED IN POTENTIAL HAZARD AREAS. SAFETY SHOULD BE STRESSED TO ALL OPERATORS AND POTENTIAL OPERATORS OF THIS EQUIPMENT.



WARNING:



The engine exhaust from this product contains chemicals known to the state of California to cause cancer, birth defects or other reproductive harm.



WARNING:



This product contains or emits chemicals known to the state of California to cause cancer, birth defects or other reproductive harm.

Study these “SAFETY RULES” carefully before installing, operating or servicing this equipment. Become familiar with the Owner’s Manual and with the unit. The generator can operate safely, efficiently and reliably only if it is properly set up, operated and maintained. Many accidents are caused by failing to follow simple and fundamental rules or precautions.

Generac cannot possibly anticipate every possible circumstance that might involve a hazard. The warnings in this manual, and on tags and decals affixed to the unit, are, therefore, not all-inclusive. If you use a procedure, work method or operating technique Generac does not specifically recommend, you must satisfy yourself that it is safe for you and others. You also must make sure the procedure, work method or operating technique that you choose does not render the generator unsafe.



DANGER: Despite the safe design of this generator set, operating this equipment imprudently, neglecting its maintenance or being careless can cause possible injury or death. Permit only responsible and capable persons to operate or maintain this equipment.



DANGER: Generator sets can be dangerous. Only suitably qualified personnel should attempt to install or work on this type of equipment.



DANGER: Potentially lethal voltages are generated by these machines. Ensure all steps are taken to render the machine safe before attempting to work on the generator set.



DANGER: Parts of the generator set are rotating and/or hot during operation. Exercise care near running generator sets.



For safety reasons, Generac recommends that the initial start-up of this equipment is carried out by a Generac Authorized Dealer.

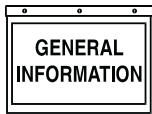
- Adequate, unobstructed flow of cooling and ventilating air is critical to correct generator set operation. Do not alter the installation or permit even

partial blockage of ventilation provisions, as this can seriously affect safe operation of the generator set.

- Diesel engine exhaust fumes contain carbon monoxide, which can be DEADLY. This dangerous gas, if breathed in sufficient concentrations, can cause unconsciousness or even death. This exhaust system must be properly installed, in strict compliance with applicable codes and standards. Following installation, you must do nothing that might render the system unsafe or in noncompliance with such codes and standards. Inspect the exhaust system regularly to ensure that it is free from leaks and damage, and that it is not possible for fumes to enter any area where people or animals are located. Never operate this equipment with a leaking or defective exhaust system. Repair or replace any damaged or leaking component immediately.
- Keep hands, feet, clothing, etc., away from drive belts, fans, and other moving or hot parts. Never remove any drive belt or fan guard while the unit is operating.
- When working on this equipment, remain alert at all times. Never work on the equipment when you are physically or mentally fatigued.
- This generator set may be capable of automatic, unattended operation, and may start and run at any time. To prevent possible injury under such conditions, NEVER work on a generator in automatic mode. Before commencing work, select the control system to “OFF,” disconnect the generator starting battery and isolate any other sources of electrical power to the machine (such as battery charger or engine heater supplies).
- Before performing any maintenance on the generator set, disconnect its battery cables to prevent accidental start up. Disconnect the cable from the battery post indicated by a NEGATIVE, NEG or (-) first. Reconnect that cable last.
- Never use the generator or any of its parts as a step. Stepping on the unit can stress and break parts, and may result in dangerous operating conditions from leaking exhaust gases, fuel leakage, oil leakage, etc.
- Inspect the generator set regularly, and repair or replace all damaged or defective parts immediately.
- Remove the fuse from the battery charger before disconnecting the battery to minimize the chance of equipment damage.



- ⚠ For fire safety, the generator must be installed and maintained properly. Installation always must comply with applicable codes, standards, laws and regulations. Adhere strictly to local, state and national electrical and building codes. Comply with regulations the Occupational Safety and Health Administration (OSHA) has established. Also, ensure that the generator is set up in accordance with the manufacturer's instructions and recommendations. Following proper set up, do nothing that might alter a safe installation and render the unit in noncompliance with the aforementioned codes, standards, laws and regulations.
- Keep a fire extinguisher near to the generator set at all times. Extinguishers rated "ABC" by the National Fire Protection Association are appropriate for use on generator sets and are useful for small fires. For more sophisticated fire protection systems, contact your local fire department for advice, or contact a specialist fire protection company.
- ⚠ The generator set covered by this manual produces dangerous electrical voltages and can cause fatal electrical shock. Avoid contact with bare wires, terminals, connections, etc., while the unit is running. Ensure all appropriate covers, guards and barriers are in place before operating the generator set. If you must work around an operating unit, stand on an insulated, dry surface to reduce shock hazard.
- The National Electric Code (NEC) requires the frame and external electrically conductive parts of the generator set to be connected to an approved earth ground. Local electrical codes also may require proper grounding of the generator electrical system.
- Operation of the generator set in damp or wet locations can be extremely hazardous. Electrical resistance to current is reduced whenever items become wet.
- Never wear jewelry or watches when working on this equipment. Jewelry or watches can conduct electricity resulting in electric shock, or may get caught in moving components causing injury.
- ⚠ In case of accident caused by electric shock, immediately shut down the source of electrical power. If this is not possible, attempt to free the victim from the live conductor. **AVOID DIRECT CONTACT WITH THE VICTIM.** Use a nonconducting implement, such as a board or a rope, to free the victim from the live conductor. If victim is unconscious, apply first aid and get immediate medical help.
- ⚠ Do not smoke around the generator set. Wipe up any fuel or oil spills immediately. Ensure that no combustible materials are left on or near the generator set, as FIRE or Explosion might result. Keep the area surrounding the generator set clean and free from debris.
- Diesel fuel can be hazardous. Regularly inspect the installation for leaks and rectify them immediately.



IDENTIFICATION RECORD

DATA PLATE

Every generator has a DATA PLATE which contains important information pertinent to the generator. The data plate lists the unit's serial number, its rated voltage, amps, wattage capacity, phase, frequency, rpm, power factor, etc.

Generator Model Number: This number is the key to numerous engineering and manufacturing details pertaining to your unit. Always supply this number when requesting service, ordering parts, or seeking information.

Voltage Code X: The GR Series generators are capable of supplying a variety of single-phase and 3-phase voltages, in total referred to as an X voltage code. They include the following:

- 120/208 to 139/240 volts, single phase, 60 Hz.
- 120/208 to 139/240 volts, 3-phase, 60 Hz.
- 240/416 to 277/480 volts, 3-phase, 60 Hz.

Note:

The above voltage ratings are stated in the form, V_{ph}/V_L .

— V_{ph} is the phase voltage (i.e., voltage above neutral).

— V_L is the line-to-line voltage.

EQUIPMENT DESCRIPTION

This equipment is a revolving field, alternating current generator set. The generator is designed to supply electrical power for the operation of compatible, electrical loads when Utility Power is unavailable.

The generator's revolving field is directly connected to and driven by an engine by means of flexible discs and a coupling assembly. Units with 4-pole rotors are driven at speeds of 1800 rpm to supply a rated frequency of 60 Hz.

The units are mounted on highway transportable trailers equipped with breakaway safety chains and a jockey wheel. Weather-resistant, all-metal, sound-attenuated enclosures protect the units against the elements while substantially reducing noise.

STANDARD GENERATOR FEATURES

This generator incorporates the following features:

- The unit meets temperature rise standards for Class "F" insulation as defined by NEMA MG1-22.40, NEMA MG1-1.65 and NEMA MG1-1-66.
- The generator system incorporates "thermal overload protection."
- The generator is self-ventilated and drip-proof constructed.
- The voltage waveform deviation, total harmonic

content of the AC waveform and "telephone influence factor" have been evaluated and are acceptable according to NEMA MG1-22.

- A state of the art magnetic circuit provides minimal level of waveform distortion and an electro-magnetic interference level which meets accepted requirements for standard AM radio, TV and marine radio telephone applications.

GENERATOR SPECIFICATIONS

Refer to the DATA PLATE on your particular generator for rated watts (kW), rated maximum amperes, rated AC frequency, rated voltage, number of phases and other pertinent information.

ENGINE SPECIFICATIONS

General

- Type.....Diesel
- Cylinders and Arrangement.....4, in-line
- Displacement4.5 Liter (276 inches³)
- Bore106mm (4.19 inches)
- Stroke127mm (5 inches)
- Compression Ratio17.6 to 1
- Intake AirNaturally Aspirated
- No. of Main Bearings.....5
- Governed Engine SpeedSee DATA PLATE
- Maximum Horsepower at 1800 rpm64
- Engine Lubrication System
- Type of Oil PumpGear
- Oil FilterFull Flow Cartridge
- Crankcase Oil Capacity8.5 liters (9 U.S. quarts)
- Cooling System
- Type.....Pressurized, closed recovery
- Coolant Capacity
- System.....15 liters (4 U.S. gallons)
- Engine8.5 liters (2.25 U.S. gallons)
- Radiator6.5 liters (1.75 U.S. gallons)
- Coolant Flow Per Minute
- At 1500 rpm.....120 liters (32 U.S. gallons)
- At 1800 rpm.....144 liters (38 U.S. gallons)
- Heat Rejection to Coolant109,200 BTU/hr.
- Cooling FanPusher type
- Diameter of Fan.....457mm (18 inches)
- Intake Air Flow Required
- 60 Hz.107ft³/min. (3m³/min.)
- Exhaust System
- 60 Hz.9m³/min. (318 cfm)
- Exhaust Temperature at Rated Output595°C (1103°F)
- Engine Electrical System
- DC Alternator Output.....55 amps at 12 volts
- Starter Motor12 volt DC
- Recommended Battery(1) 12 volt, 135 A.H., 4DLT
- Ground PolarityNegative (-)

Fuel Consumption

Model	50%	75%	100%	Standby
GR50 at 60 Hz. (gph)	1.5	2.3	3.1	3.2
(liters per hour)	5.7	8.7	11.7	12.1

INSTALLATION

STANDBY ELECTRIC SYSTEM

A standby electric system may be defined as a system in which the generator is used to operate critical electrical loads normally powered by a utility power source when the utility power source fails or is not present.

- If you are going to use the units to operate electrical loads in standby system applications, the units may be used up to their rated capacity. If the total electrical power demanded by all loads in a system is greater than the rated limit, you can only power essential or key loads (up to the stated capacity).
- Generac does not recommend installing or operating a trailer mounted generator indoors. Other units are available which are better suited for indoor installations.
- A double throw transfer switch is required in standby electric system applications to prevent electrical feedback between the generator and the utility power circuit.
- Figure 1 illustrates a typical standby electric system. Figure 2 shows a schematic diagram of such a system. The transfer switch is used to select which power supply (generator or utility) will operate load circuits in such a system. The transfer switch also prevents load circuits from being connected to both power supplies at the same time.
- If the installer has not installed a transfer switch and modified the electric system as shown in Figure 2, plug critical electrical devices (furnace, fan, sump pump, water pump, etc.) directly into one of the generator's output receptacles.

- If the electrician has installed a transfer switch and a connection box, use a suitable, approved cord set between the connection box and a suitable generator receptacle, or between the connection box and the generator's full capacity terminal studs.



DANGER: If existing electrical circuits in a building are normally powered by the utility source, the installer must provide a positive means of making sure that both power supplies never feed to the load circuits at the same time.

- Never connect the generator output to any live building circuits. If the generator is connected to any existing electrical circuit during a commercial power outage, a positive method of isolating the two power supplies must be provided. The usual method of isolating the circuits is by means of a double throw transfer switch.

Figure 2 - Simple Standby Electric System

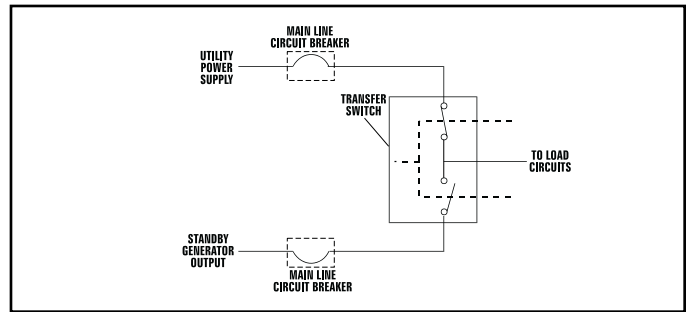
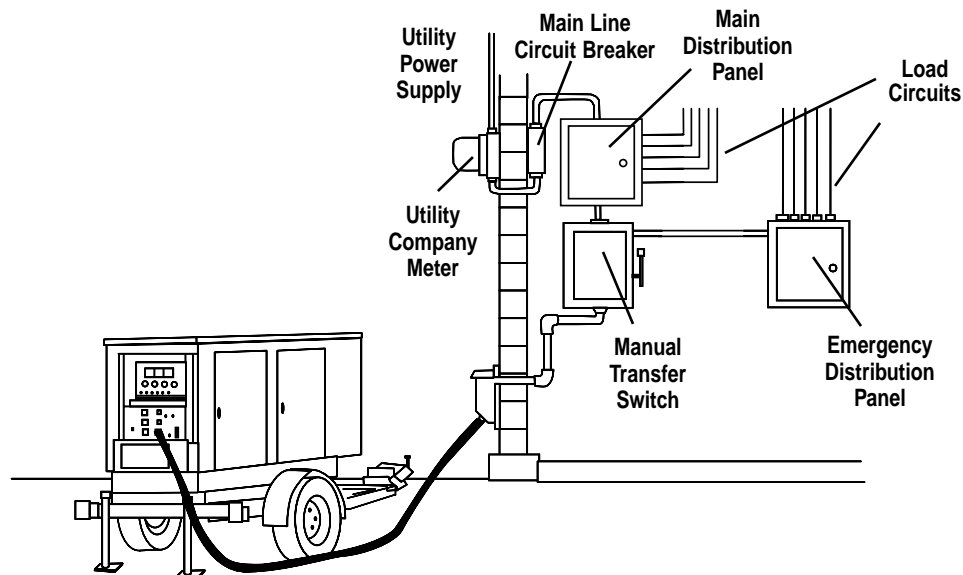


Figure 1 - Typical Standby Electric System





DANGER! A hazard exists during a power outage if the generator is connected to building circuits and no method of positively isolating the generator from the utility supply is provided.

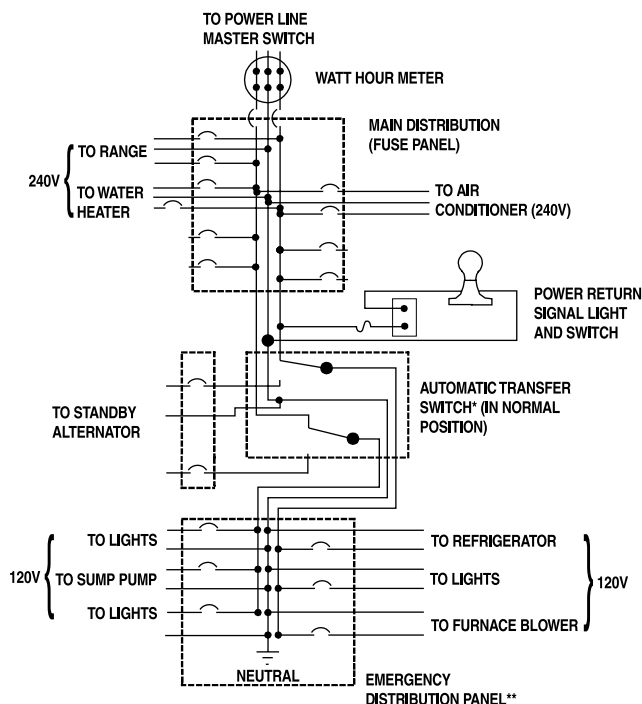


Power company workers attempting to restore utility power will open a switch between the main power supply and the spot where they are working. If the home or building electrical circuits are not isolated from the utility supply, generator AC output will backfeed through the building electrical circuits and up the power line. A power company worker may be electrocuted.



If utility and generator power are not isolated and utility power is suddenly restored while the generator is powering load circuits, the generator can be severely damaged.

Figure 3 - Emergency Circuit Isolation



EMERGENCY CIRCUIT ISOLATION

One isolation method is to have emergency circuits (important or essential items to be powered during a utility outage) grouped together and rewired into a separate "emergency distribution panel" (Figure 3). Using this method helps prevent accidental overloading of the generator or the specific generator receptacle in use.

Loads fed by this emergency distribution panel must not exceed the wattage/amperage rating of the generator or the specific receptacle in use.

A transfer switch having an ampere rating equal to or exceeding the ampere rating of the emergency circuit should be connected between the building's main electrical distribution panel and the emergency distribution panel.

* Ampere rating must be equal to or exceed the ampere rating of the emergency distribution panels.

** Ampere capacity not to exceed the alternator rating. Only these items will be powered by the standby alternator. If the electrician sizes the load properly, the alternator cannot be overloaded.

All wiring must conform to the United States National Electrical Code (NEC) and all state and local codes. Consult a qualified licensed electrician.

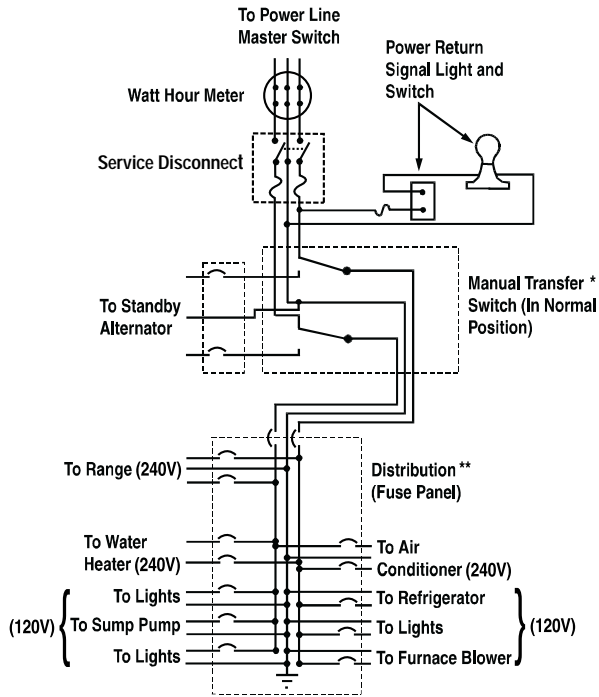
The above illustration assumes the utility is supplying 120/240 volt single phase electric service.

TOTAL CIRCUIT ISOLATION

If the emergency circuits (Figure 4) are not or cannot be wired together in a separate emergency distribution panel, you will have to select the circuits and specific appliances to be powered by the generator during a utility power failure. When this is done, take care to avoid overloading the generator or generator receptacles.

When using the total circuit isolation method, the ampere rating of the transfer switch must equal the rating of the normal incoming utility service.

Figure 4 - Total Circuit Isolation Method



*Ampere rating must be equal to or larger than main (normal) utility entrance service.

**With this system take care to prevent overloading the alternator. During utility power failure, turn OFF individually all load items to distribution panel. Only certain items can be turned back on during alternator operation. Have your electrician specify these items so you do not overload the alternator. All wiring must conform to the United States National Electrical Code (NEC) and all state and local codes. Consult a qualified licensed electrician. The above illustration assumes the utility is supplying 120/240 volt single phase electric service.

PREPARATION BEFORE USE



CAUTION: Prior to initially starting the generator, you must properly prepare it for use. Any attempt to crank or start the engine before it has been properly serviced with the recommended oil may result in an engine failure. Also, engine coolant level must be checked and replenished if necessary.

ENGINE LUBRICATION

Check engine crankcase oil level prior to use and add oil to the proper level. See “Maintenance” section for recommendations.

ENGINE COOLANT

Check engine coolant level and add the recommended coolant mixture as required. Refer to “Maintenance” section.

FUEL

Fill the fuel tank with the correct recommended diesel engine fuel (see “Maintenance” section). The mounting base tank holds 60 gallons and the base tank holds 100 gallons of fuel if so equipped.

NOTE: If the unit has been idle for a long period of time or if fuel lines or fuel system components have been removed and re-installed, the fuel system may require bleeding to remove air from the system. See “Maintenance” section for fuel system bleeding procedures. Air in the fuel system causes hard starting and rough engine operation. All fuel system lines must be installed and must be tight. A loose line may show no sign of leakage, but may draw air into the system.

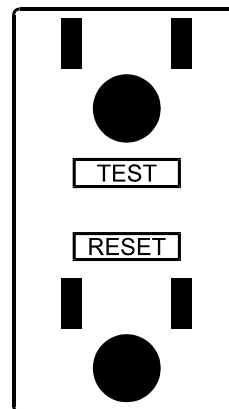
CORD SETS - 120 VOLT GFCI DUPLEX RECEPTACLE



CAUTION: Panel receptacles can supply only single-phase AC output. Never connect any 3-phase electrical load to a receptacle.

The generator is equipped with a 120 volt ground fault circuit interrupter (GFCI) duplex receptacle on the generator receptacle panel (Figure 5). See “Ground Fault Protection” on Page 14. This outlet consists of a “pair” of receptacles, protected against overload by a 15-amp, push-to-reset type circuit breaker. Thus, you may use the receptacle pairs to power 120 volts, 60 Hz, AC electrical loads requiring up to 15 AC amperes of total current.

Figure 5 - 120 V, GFCI Duplex Outlet



Use only high quality, well-insulated, 3-wire, grounded cord sets with the 120-volt duplex type receptacles. Cord sets should be rated 15 AC amperes at 135 volts or greater.

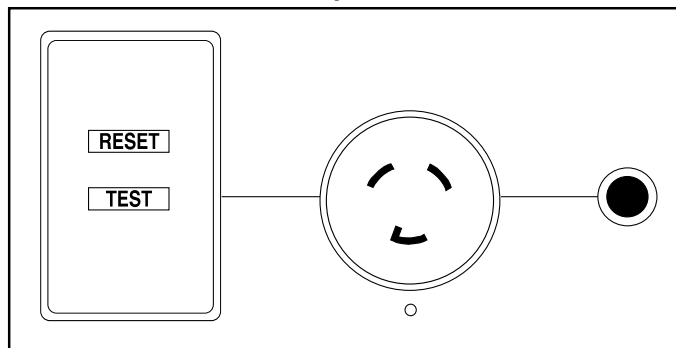
120 VOLT LOCKING TYPE RECEPTACLE



CAUTION: Panel receptacles can supply only single-phase AC output. Never connect any 3-phase electrical load to a receptacle.

This locking type receptacle (Figure 6) is protected against ground faults with a ground fault circuit interrupter (GFCI) module. See Ground Fault Protection on Page 14. It is also protected against overload by a 15-amp, push-to-reset type circuit breaker. The receptacle, a NEMA L5-20R type, requires a mating NEMA L5-20P connector plug. Use only high quality, well-insulated, 3-wire, grounded cord set with connector plug. The cord set must be rated for 15 AC amperes at 135 volts (or greater) electrical loads.

Figure 6 - 120 Volt, Locking Type Receptacle



CAUTION: Any attempt to power total loads in excess of 15 amperes from the 120V receptacle pair, or the 120V locking type receptacle, will trip open a circuit breaker, blocking power to either receptacle.

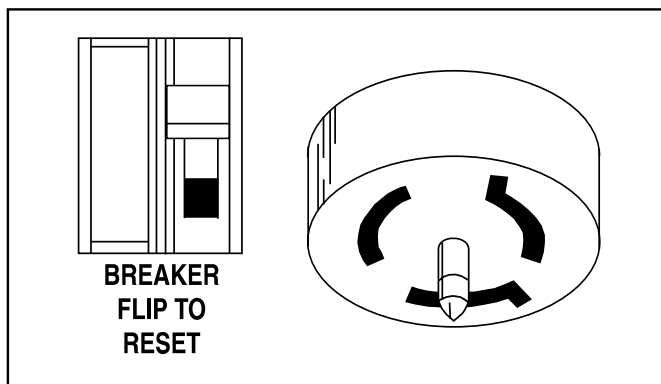
120/208 TO 139/240 VOLTS, 50 AMP LOCKING TYPE RECEPTACLE



CAUTION: Panel receptacles can supply only single-phase AC output. Never connect any 3-phase electrical load to a receptacle.

This receptacle is protected against overload by a 50 amp, flip-to-reset type circuit breaker. This receptacle is a CS6369 and requires the proper mating plug. Use only a high quality, well insulated, 3-wire, grounded cord set with a mating 50 amp connector plug. The cord set used must be rated for 1-phase, 50 AC amps at 250 volts (or greater) electrical loads (Figure 7).

Figure 7 - 120/208 Volts, 50 Amp Receptacle



The voltage on this receptacle can be adjusted between 120/208 volts and 139/240 volts. Adjusting for 127/220 volts AC with the voltage adjustment dial is also acceptable for most 120/240 volts loads.

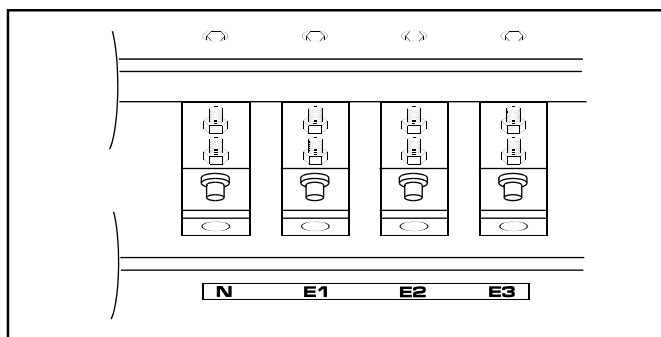


WARNING! Never unplug a connector plug from any panel receptacle while an electrical load is connected and turned on. Conversely, never plug a load in while that load is turned on. Dangerous electrical arcing can occur between the receptacle and the connector plug.

FULL CAPACITY TERMINAL COMPRESSION LUGS

Terminal compression lugs are provided in the two AC power panels (Figure 8). Four terminal studs in one panel are identified as N (neutral), E1, E2, and E3 high voltage connections. The studs for low voltage connections are labeled L1, L2, L3 and N in the second panel. These studs may be used to operate either single or 3-phase electrical loads at up to the full-rated wattage/amperage capacity for each mode of operation (1 phase or 3 phase). Terminal stud AC output is limited by the generator's 175 amp main circuit breaker (CB7) for 208 volts AC loads or the 80 amp main circuit breaker (CB8) for 480 volts AC loads.

Figure 8 - High Voltage Terminal Compression Lugs





CAUTION: Although you can operate single-phase loads through the terminal lugs as well as the receptacles, **DO NOT** attempt to connect any 3-phase loads to the receptacles.

- Wiring cables for connecting loads to terminal studs must be rated 480 volts at 80 AC amperes (or greater) for loads on E1, E2, E3, N and 240 volts at 175 AC amps (or greater) for loads on L1, L2 L3.
- When connecting electrical loads, be sure the voltage adjust dial is positioned to the correct voltage. The dial permits you to adjust the voltage from 120/208 volts and 240/416 volts up to 139/240 volts and 277/480 volts.



CAUTION! Voltage adjust dial affects all receptacles and terminals at the same time.

NOTE:

All receptacles and terminals are available at all times and can be loaded at the same time. MAXIMUM TOTAL LOAD must not exceed generator rating. Maximum load for single-phase or three-phase operation must not exceed the rating for that particular mode of operation (rating for single-phase may be less than for three-phase operation). The total load connected to any phase, including loads connected to receptacles, must not exceed the rated generator output per phase.

- Set voltage adjust dial to “120/208V” for 120 volts, single-phase or 208 volts, 3-phase when connecting for one of these voltages. See “Voltage Adjust Dial” on page 12. Connect cord set leads as follows:
 - L1 to N = 120 volt, single-phase
 - L1 to L2 = 208 volt, 3-phase
 - L2 to N = 120 volt, single-phase
 - L2 to L3 = 208 volt, 3-phase
 - L3 to N = 120 volt, single-phase
 - L3 to L1 = 208 volt, 3-phase
- Set the voltage adjust dial to “139/240V” for 139 volt, single-phase or 240 volt, 3-phase when connecting for one of these voltages. See “Voltage Adjust Dial” on page 12. Then connect cord set leads as follows:
 - L1 to N = 139 volt, single-phase
 - L1 to L2 = 240 volt, 3-phase
 - L2 to N = 139 volt, single-phase
 - L2 to L3 = 240 volt, 3-phase
 - L3 to N = 139 volt, single-phase
 - L3 to L1 = 240 volt, 3-phase



WARNING! With voltage set line-to-line for 240V, line-to-neutral voltage will be 139V at receptacles.

- Set the voltage adjust dial to “240/416V” for 240 volt, single-phase or 416 volt 3-phase when connecting for one of these voltages. See “Voltage Adjust Dial” on page 12. Then connect cord set leads as follows:

E1 to N = 240 volt, single-phase

E1 to E2 = 416 volt, 3-phase

E2 to N = 240 volt, single-phase

E2 to E3 = 416 volt, 3-phase

E3 to N = 240 volt, single-phase

E3 to E1 = 416 volt, 3-phase

- Set the voltage adjust switch to “277/480V” for 277 volt, single-phase or 480 volt, 3-phase when connecting for one of these voltages. See “Voltage Adjust Dial” on page 12. Then connect cord set leads as follows:

E1 to N = 277 volt, single-phase

E1 to E2 = 480 volt, 3-phase

E2 to N = 277 volt, single-phase

E2 to E3 = 480 volt, 3-phase

E3 to N = 277 volt, single-phase

E3 to E1 = 480 volt, 3-phase



CAUTION: Do NOT connect E1 or E2 or E3 to L1 or L2 or L3. Damage to equipment, personal injury or death may result.



DANGER: You can only connect cable leads to the power terminal studs when the engine is shut down. The panel door is equipped with a push-button safety interlock switch (Figure 9) that prevents engine startup and operation while the door is open. Opening the door while engine is running immediately shuts down the engine. The switch is provided for your protection. Do not attempt to bypass or disconnect it.

TRANSFER SWITCH TERMINAL

The AC power panel includes a terminal strip for connecting an automatic transfer switch, such as a GTS transfer switch (Figure 10). This connection allows you to use the unit as a standby generator in practical applications or in emergency situations.

Figure 9 - Interlock Switch on Panel Door

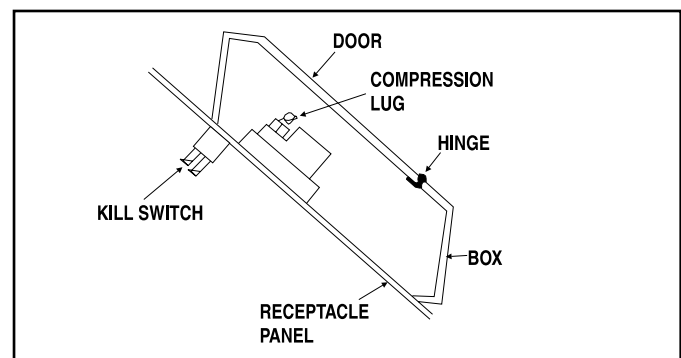
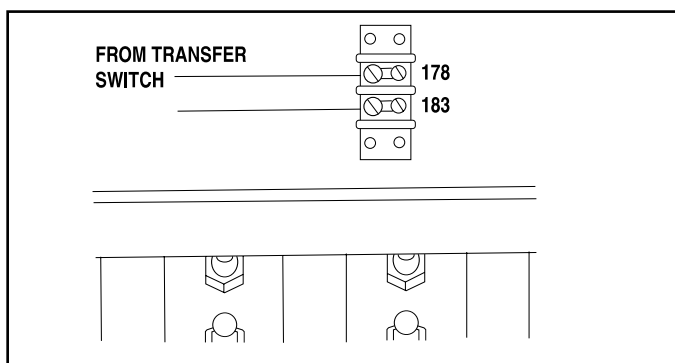


Figure 10 - Transfer Switch Terminals



AC VOLTMETER

This AC voltmeter indicates the voltages for 416/480 volts and for 208-to-240 volts for generator AC output. Also see "Voltage Adjust Dial".

When connecting electrical loads, be sure the voltage adjust dial is positioned to the correct voltage. The voltage adjust dial permits you to adjust voltages from 120/208 volts and 240/416 volts up to 139/240 volts and 277/480 volts.



CAUTION! Voltage adjust dial affects all receptacles at the same time.

NOTE:

All receptacles and terminals are available at all times and can be loaded at the same time. **MAXIMUM TOTAL LOAD must not exceed generator rating. Maximum load for single-phase or three-phase operation must not exceed the rating for that particular mode of operation (rating for single-phase may be less than for three-phase operation). The total load connected to any phase, including loads connected to receptacles, must not exceed the rated generator output per phase.**

AC AMMETER

Indicates current draw of connected loads, in amps. Rated maximum continuous load current should be kept within the limits of the rated wattage capacity of the unit for single phase and for 3-phase loads.

STARTING BATTERY

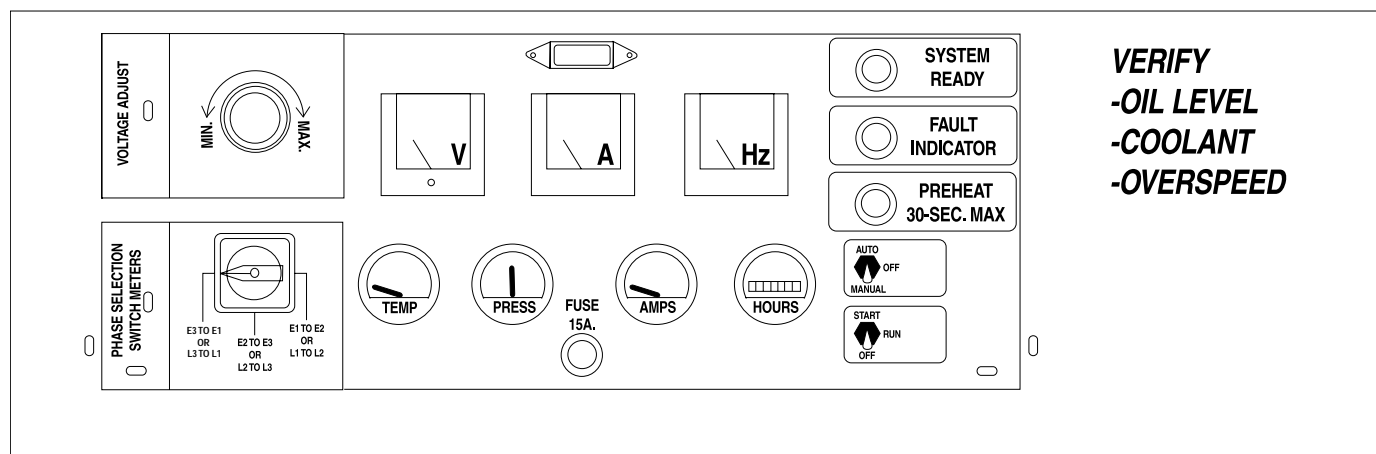
Included is a 12 volt, Type BCI automotive storage battery rated at 90 amp-hours. The battery was properly serviced and fully charged prior to installation.

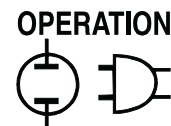
- The red battery cable (from starter contactor) should be connected to battery post indicated by a positive POS or (+).
- The black cable (from frame ground) must be connected to the battery post indicated by a negative, NEG or (-).
- The battery must be properly retained in its mounting tray, using the hardware provided.

SWITCHES, METERS AND LIGHTS

For all the components mentioned in this section, refer to Figure 11.

Figure 11 - Generator Control Console





■ FREQUENCY METER

Indicates generator AC output frequency in “Hertz” (cycles per second). The generator's rated AC frequency is 60 Hertz, which is supplied at 1800 rpm. The engine governor was factory adjusted at no-load to about 1860 rpm or 62 Hertz. Maximum droop with the generator fully loaded should not be below about 58 Hertz. While operating, normal frequency is between 58-62 Hertz.

NOTE: The engine automatically shuts down and the fault indicator light goes ON if frequency exceeds about 74 Hertz (2220 rpm). This is an “overspeed” condition.

■ OIL PRESSURE GAUGE

Indicates engine oil pressure.

■ COOLANT TEMPERATURE GAUGE

Indicates engine coolant temperature. Coolant temperature during unit operation is about 170°-200°F. If the coolant temperature exceeds about 250°F, the engine automatically shuts down and the fault indicator light goes ON.

■ DC AMMETER

The engine is equipped with a belt-driven DC alternator which maintains battery state of charge while the unit is running. This ammeter indicates rate of charge to the battery while operating.

- Immediately after startup, the DC ammeter needle may swing to the right of zero (+ - charging) but should drop to zero or just slightly to the right of zero (+) within a few minutes.
- If the needle drops to the left of zero (or —), battery is discharging. Investigate and correct this problem immediately.
- If the ammeter needle fluctuates, investigate and correct immediately. Disconnect battery and control panel fuse prior to working on unit.

■ HOURMETER

Provides a continuous indication of engine-generator operating time, in hours and tenths of hours. Use the hourmeter with the periodic maintenance schedule (See “Maintenance” section).

■ SYSTEM READY LAMP

This lamp goes ON when the unit is running. The lamp will not go ON if a fault has occurred and you have not set the Start/Run/Off switch to OFF to reset.

■ PRE-HEAT SWITCH

This engine comes with INTAKE AIR HEATERS to heat the combustion chamber air for quicker and easier starts. Prior to starting a cold engine manually, hold the PREHEAT switch for about 15 seconds. DO NOT PRE-HEAT FOR MORE THAN 30 SECONDS.

■ FAULT INDICATOR

Lamp goes on if any one or more of the following automatic shutdown faults occurs:

- High coolant temperature (above about 250°F).
- Low coolant level.
- Low engine oil pressure (below 10 psi).
- Overspeed above about 74 Hz (2220 rpm).
- Overcrank

■ START/RUN/OFF SWITCH

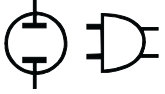
To crank and start the engine, hold the Start/Run/Off switch at “Start”. When engine starts and runs at rated frequency, release the switch to its center (Run) position. To shut engine down, set the switch to the “Off” position.

■ AUTO/OFF/MANUAL SWITCH

This safety switch should be used to prevent automatic startup of the engine when working on the engine-generator. Use the switch as follows:

- AUTO Position: Always set switch to AUTO for automatic system operation. This means when this generator is installed along with a GTS type automatic transfer switch, the generator automatically cranks and starts when the utility source voltage drops below a preset level. See “Engine Control Operation”.
- OFF Position: Engine cannot be started either automatically or manually. Always set switch to OFF before working on or around the engine-generator.
- MANUAL Position: Engine can be cranked and started manually using the panel Start/Run/Off switch. Engine will not start automatically.

OPERATION



Operation

GR-50 Generator Set

■ PANEL LIGHT

The panel light will turn on when the unit is running or cranking.

■ VOLTAGE ADJUST DIAL

This potentiometer permits the operator to select the desired output voltage from the alternator. Turning the voltage adjust dial counterclockwise decreases the voltage and allows operation of loads down to 120/208 volts AC and 240/416 volts AC and a little below.

Turning the dial clockwise, the unit can operate up to 139/240 volts and 277/480 volts AC and slightly higher loads. The generator can power any load with voltage between these two extremes including 127/220 volts AC near the center of the dial.

Note: The voltage indicated on the voltage adjust dial is line-to-line voltage (See "Voltage Code X" on page 4).



CAUTION! Voltage adjust dial affects all receptacles at the same time.

NOTE:

All receptacles and terminals are available at all times and can be loaded at the same time. MAXIMUM TOTAL LOAD must not exceed generator rating. Maximum load for single-phase or three-phase operation must not exceed the rating for that particular mode of operation (rating for single-phase may be less than for three-phase operation). The total load connected to any phase, including loads connected to receptacles, must not exceed the rated generator output per phase.

■ PHASE SELECTION SWITCH

This switch permits you to select the phases for which the line-to-line voltage and amperage readings are displayed on the console AC voltmeter and ammeter.

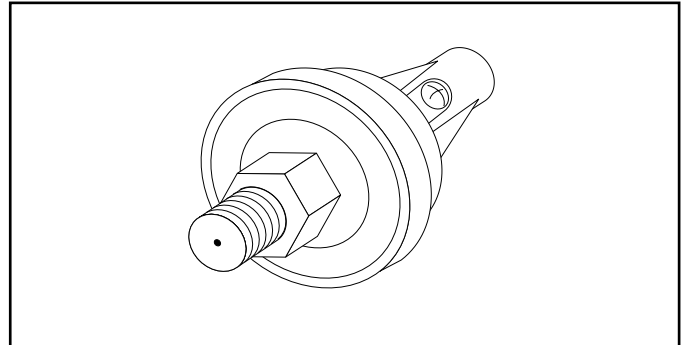
ENGINE PROTECTIVE DEVICES

Unlike an automobile, the generator may be required to run for long periods without an operator nearby to monitor engine parameters (oil pressure, temperature, engine speed, etc.). For that reason, the unit is equipped with various protective devices which will stop the engine automatically if an operational fault occurs.

■ LOW OIL PRESSURE SWITCH

This normally-closed, pressure actuated switch (Figure 12) is held open by engine oil pressure during running. Should engine oil pressure drop below about 10 PSI, the switch contacts will close. When contacts close, the engine automatically shuts down and the fault indicator lamp goes ON.

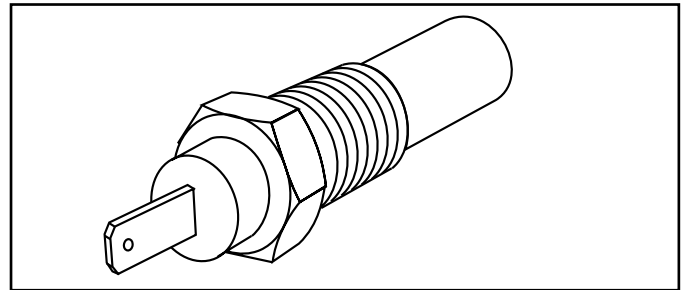
Figure 12 - Low Oil Pressure Switch



■ HIGH COOLANT TEMPERATURE SWITCH

This thermostatic, normally-open switch (Figure 13), is immersed in engine coolant. Should coolant temperature increase above about 250°F, the switch contacts close and an automatic shutdown occurs.

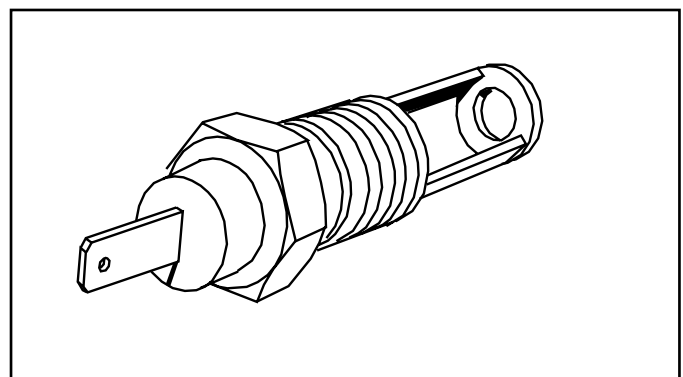
Figure 13 - High Coolant Temperature Switch

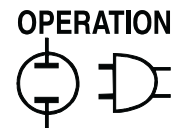


■ LOW COOLANT LEVEL SENSOR

If engine coolant level is low, a high temperature condition can exist without affecting the high coolant temperature switch. However, the low coolant level sensor (Figure 14) will detect the low level condition and initiate an engine shutdown.

Figure 14 - Low Coolant Level Sensor





■ DC CONTROL/LATCH-CRANK CIRCUIT BOARD

The circuit board, housed inside the generator control console, controls engine starting, running and shut-down. The board provides either manual (electric) or automatic starting. It senses the generator is running by means of generator AC output.

■ ENGINE STARTUP

When the engine starts, the starter is disabled when AC output reaches about 40 volts AC (rms). Engine speed at that point has reached between 1000 to 1250 rpm.

A nominal 5-second time delay after starter cutout is provided. That is, if any one or more of the shutdown faults (low oil pressure, high coolant temperature, low coolant level, etc.) occurs 5 seconds or more after the starter cutout has occurred, the engine shuts down and the fault indicator lamp goes ON after the fault has been maintained for 2 seconds.

■ AFTER FAULT SHUTDOWN

You cannot start the engine until engine control is reset, following an automatic fault shutdown with the fault lamp ON. You can reset the control by setting the Start/Run/Off switch to "Off" and then back to "Start".

■ OVERSPEED

A speed circuit controls engine cranking, start-up, operation and shutdown. Engine speed signals are delivered to the circuit board whenever the unit is running. Should the engine overspeed above a safe, preset value, the circuit board initiates an automatic engine shut-down.

■ OVERCRANK SHUTDOWN

If the engine fails to start after a crank cycle of 90 seconds (8 seconds on, 8 seconds off), this function will illuminate the fault indicator and stop the crank cycle.

OPERATING INSTRUCTIONS

■ BEFORE STARTING

- Prior to starting the engine, make sure the engine-generator has been properly prepared for operation as outlined in PREPARATION BEFORE USE (Pages 7-10).
- Check that both of the power panel (compression lug) doors are closed and latched. Engine will not start if any power panel door is open (Figure 9 on page 9).
- Check that the Voltage Adjust Dial is adjusted for the proper voltage that your loads require.

■ STARTING THE ENGINE

- Be sure all necessary cables are connected to the full capacity compression lugs before starting the engine (see pages 8-9). ALL electrical loads must be switched off before starting the engine (including loads connected to the receptacle panel).
- Place the Auto/Off/Manual switch in "Manual" position.
- Crank the unit by moving the Start/Run/Off switch to "Start".
- When engine starts and runs at rated Hz, release the start switch to the "Run" position.
- Let the engine stabilize and warm up for a few minutes. Then turn on the desired electrical loads.

NOTE:

During starting, the fault indicator lamp remains ON until oil pressure builds. If any monitored shutdown occurs, you cannot restart the engine until you reset the controls. To do this, set the Start/Run/Off switch to "Off" and then back to "Start".

■ SHUT DOWN

- Turn all loads OFF.
- Let the engine run at no-load for a few minutes to stabilize internal engine temperatures.
- On the generator control console, set the Start/Run/Off switch to "Off". Wait for the engine to come to complete stop.

■ OPERATION IN ICE OR SNOW

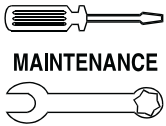
If the generator has been exposed to freezing rain or snow, be sure to inspect the air inlet and outlet areas in the compartment. Do not operate the unit if snow or ice have blocked or obstructed the air openings.

The generator is equipped with a "pusher" type cooling fan. This type of cooling fan draws air into the generator, then expels the air outward through the engine radiator. If cooling air flow is obstructed, the engine-generator may overheat.

■ GROUNDING THE GENERATOR

The National Electric Code (NEC) requires that the frame and external electrically conductive parts of the generator be properly connected to an approved earth ground. Local electrical codes may also require that you ground the unit. Consult with a local electrician for grounding requirements in your area.

Grounding helps prevent dangerous electrical shock if a ground fault exists in the generator or connected electrical devices. Grounding also helps dissipate static electricity that often builds up in ungrounded devices. Static electricity alone can cause very painful shock and may cause one to believe that a shorted condition exists in equipment.



■ GROUND FAULT PROTECTION

The generator is equipped with a 120 volt duplex receptacle, and a 120V locking type receptacle. Each of these receptacles incorporates a Ground Fault Circuit Interrupter (GFCI) rated at 20 amps. These devices meet standards with applicable federal, state and local codes.

The GFCI protects you against electrical shock that may be caused if your body becomes a path through which electricity travels to reach ground. This could happen if you touch an appliance or cord that is “live.” You don’t even have to be on the ground, you could be touching plumbing or other material that leads to ground.

When protected by a GFCI, a person will still feel a shock, but the GFCI should cut it off quickly enough so a person in normal health should not have a serious electrical injury (Infants and very small children could still be affected).



WARNING! THE GFCI WILL NOT PROTECT YOU AGAINST THE FOLLOWING SITUATIONS: (1) LINE-TO-LINE SHOCKS (such as shocks from touching metal in both straight slots of an outlet); (2) CURRENT OVERLOADS OR LINE-TO-LINE SHORT CIRCUITS. THE FUSE OR CIRCUIT BREAKER AT THE DISTRIBUTION PANEL MUST PROVIDE SUCH PROTECTION.

Testing the GFCI: Test your GFCI outlets every month. Follow these instructions:

1. Push the black TEST button. Red RESET button should pop out from inner surface, which should allow no power to reach the outlet. Use a test lamp in each outlet.



CAUTION! If RESET button does not pop out, or test lamp remains lit when RESET button does pop out, DO NOT USE ANY OUTLETS ON THE CIRCUIT. CALL A QUALIFIED ELECTRICIAN.

2. If the GFCI tests good, restore power by pressing the RED RESET button. THE RESET BUTTON MUST BE PUSHED FIRMLY AND FULLY INTO PLACE UNTIL IT LOCKS AND REMAINS IN THAT POSITION. IF THE GFCI DOES NOT RESET PROPERLY, DO NOT USE THE OUTLET — CALL A QUALIFIED ELECTRICIAN. Test lamp should go ON.
3. If the GFCI trips by itself at any time during or after installation, reset and perform steps 1 and 2. IF RESET BUTTON DOES NOT POP OUT WHEN TEST BUTTON IS PRESSED, DO NOT USE THE OUTLET. CALL A QUALIFIED ELECTRICIAN.

NOTE: Each 120 volt receptacle is protected with a 15 amp circuit breaker. The maximum total current from each receptacle is limited to 15 amps (See “Cord Sets - 120 Volt GFCI Duplex Receptacle” on pages 7 and 8, and “120 Volt Locking Type Receptacle” on page 8).

MAINTENANCE

It is the owner's responsibility to perform all safety checks; to verify all required maintenance is performed for safe operation; and to have the equipment checked periodically by an authorized service technician. Normal maintenance service and replacement of parts are the responsibility of the owner/operator and, as such, are not considered defects in workmanship or material under the terms of the warranty.

Individual operating habits and equipment usage contribute to the need for maintenance service. Proper maintenance and care of your generator will help keep the number of problems and overall operating expenses at a minimum. See your authorized Generac Power Systems dealer/distributor or contact the factory for service aids.

■ 100-HOUR BREAK IN PERIOD

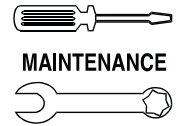
After the first 100 hours of operation, contact an authorized service facility for the following maintenance. The generator owner is responsible for all charges.

- Change engine oil and filter.
- Check all fluid levels.
- During break in, don’t add oil until level is at the bottom of the crosshatching on dip stick.
- Inspect cooling system hoses for leaks, loose or defective clamps, and for damage or deterioration.
- Check the fuel system for leaks, condition, and tightness of fuel lines.
- Check the engine for proper operation.
- Check generator AC output. Make sure voltage and frequency are correct.
- Check the unit battery for proper electrolyte fluid level, proper state of charge, and condition.
- With engine running, note readings of all gauges and instruments.

■ 100-HOUR BREAK IN

The first 100 hours is the break in period. Correctly breaking in the engine-generator is essential to minimize oil consumption and maximize engine performance. During break in, observe the following rules.

- For the 100 hours of operation, avoid light electrical loads. Load the unit at 50% or more of its capacity during this period. Repeated light loads during break in can cause improper seating of the engine piston rings, resulting in blowby and high oil consumption after prescribed break in period.
- Check engine oil level frequently during break in. It is normal for oil consumption to be higher than normal during this period. The proper break in oil is John Deere’s P/N TY22014.



- After the 100-hour break in, complete the tasks recommended under “100-Hour Break In Period”.
- If continuous light loads are applied to unit during break in period, run unit for another 100 hour break in period with the recommended engine oil.

RECOMMENDED ENGINE FLUIDS

ENGINE OIL

Use a high quality detergent oil having API classification “For Service CF-4 or CG-4” or oils conforming to CCMC-D5 or CCMC-D4 specifications.

Consider the ambient temperature when selecting the viscosity of lubricating oil for your engine. Use the following chart to determine the oil you use:

AMBIENT TEMPERATURE	OIL RECOMMENDATION
-40° to 30°C (-40° to 86°F)	SAE 0W-30
-30° to 30°C (-22° to 86°F)	SAE 5W-30
-20° to 40°C (-4° to 104°F)	SAE 10W-40
-15° to 50°C (5° to 122°F)	SAE 15W-40
0° to 30°C (32° to 86°F)	SAE 30
10° to 50°C (50° to 122°F)	SAE 40
API Service Certification	CG-4 or CF-4

NOTE:

Multi-viscosity diesel engine oils are preferred. If diesel fuel with sulfur content greater than 0.5% is used, reduce the service interval by 50%.

ENGINE COOLANT

The use of coolant products, as outlined is strongly recommended.

Coolant products to use are silicate ethylene glycol base coolants for heavy-duty diesel engines. Use when mixed with quality water and supplemental coolant additives (SCAs), if they meet the following specifications:

- ASTM D5345 (prediluted coolant)
- ASTM D4985 (coolant concentrate) in a 40% to 60% mixture of concentrate with quality water.

Coolants meeting these specifications require addition of supplemental coolant additives (SCAs), formulated for heavy-duty diesel engines, for protection against corrosion and cylinder liner erosion and pitting.

IMPORTANT:

Never use automotive-type coolants (such as those meeting ASTM D3306 or ASTM D4656). These coolants do not contain the correct additives to protect heavy-duty diesel engines. They often contain a high concentration of silicates and may damage the engine or cooling system.

SUPPLEMENTAL COOLANT ADDITIVES

The recommended coolant additive is John Deere’s P/N TY16005 (or compatible) Liquid Coolant Conditioner.

IMPORTANT:

DO NOT over-inhibit antifreeze solutions, as this can cause silicate-dropout. When this happens, a gel-type deposit is created which retards heat transfer and coolant flow causing engine to over-heat.

Operating without proper coolant additive will result in increased corrosion, cylinder liner erosion and pitting, and other damage to the engine and cooling system. A simple mixture of ethylene glycol and water WILL NOT give adequate protection.

The use of supplemental coolant additives reduces corrosion, erosion, and pitting. These chemicals reduce the number of vapor bubbles in the coolant and help form a protective film on cylinder liner surfaces. This film acts as a barrier against the harmful effects of collapsing vapor bubbles.

Inhibit the antifreeze-coolant mix with a non-chromate inhibitor.

IMPORTANT:

Check inhibitors between drain intervals (every 600 hours or 12 months) of operation. Replenish inhibitors by the addition of a supplemental coolant additive as necessary. DO NOT use soluble oil.

FUEL

Use clean, fresh, No. 2D diesel fuel having a minimum Cetane Number “40” and conforming to ASTM* specifications.

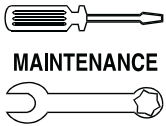
*ASTM — American Society of Testing and Materials

CHECKING FLUID LEVELS

ENGINE OIL

Check engine oil level at least once daily (prior to use) or at least every 8 hours of operation, whichever comes first. The following rules apply:

- When checking oil level, the generator should be sitting on a level surface.
- Always check oil level BEFORE starting the engine, or wait at least 30 minutes after the engine is shut down.
- Avoid mixing different brands or different types of oil.
- The higher pressures and hotter temperatures in a diesel engine require that you use only Class CF-4 or CG-4 oil.



MAINTENANCE

Maintenance

GR-50 Generator Set

- Never operate the engine with oil below the cross-hatching on dipstick.
- Never overfill the engine crankcase above the dipstick crosshatching.
- To check oil level, remove dipstick and wipe dry with a clean cloth. Then, re-insert dipstick into dipstick tube and remove again. Oil should be between the top of the crosshatching and “ADD” marks. Add oil as required.

■ ENGINE COOLANT

Maintaining adequate concentrations of glycol and inhibiting additives in the coolant is critical to protect the engine and cooling system against freezing, corrosion, and cylinder liner erosion and pitting.

Test the coolant solution at 600 hours or 12 month intervals and whenever excessive coolant is lost through leaks or overheating to ensure the necessary protection. If coolant level in radiator or recovery bottle is low, proceed as follows:

- Inspect the radiator cap gasket for wear or damage. Replace cap, if necessary.
- Have the radiator pressure cap tested at an automotive repair facility or at an authorized Generac service facility.
- Check cooling system hoses and radiator for leaks.

NOTE:

When working properly, the coolant recovery system keeps the radiator coolant at the proper level. The radiator cap is equipped with both a pressure relief and a vacuum relief valve. When hot radiator coolant expands, excess coolant opens the pressure relief valve and drains into the coolant recovery bottle. After shutdown, as coolant mixture in the radiator cools, it contracts to form a vacuum. The vacuum relief valve then opens, to draw coolant from the recovery bottle and return it to the radiator. The coolant recovery bottle must be kept filled to the proper level to maintain radiator coolant at the proper level.

■ FUEL

Check fuel quantity at least once daily (every eight hours) and prior to use. The base-mounted fuel tank is equipped with a float operated fuel level gauge. Fill tank when level is between half full and 1/4 full.

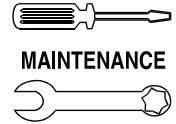
IMPORTANT:

NEVER PERMIT THE ENGINE TO RUN OUT OF FUEL. IF ENGINE RUNS OUT OF FUEL OR IF FUEL LEVEL IN TANK DROPS TOO LOW, AIR WILL ENTER FUEL SYSTEM LINES AND CAUSE SERIOUS PROBLEMS, SUCH AS HARD STARTING AND ROUGH, ERRATIC OPERATION. YOU MUST BLEED THE ENGINE FUEL SYSTEM WHEN IT RUNS OUT OF FUEL.

OWNER/OPERATOR PERIODIC MAINTENANCE

Some maintenance tasks may be beyond the capability of the owner/operator and should be accomplished by a competent, qualified service technician. The owner/operator may accomplish the following:

- Check the engine oil level once daily; more often during the 100-hour break in period.
- Check the tire pressure before using and at least once each week thereafter. Keep the tires properly inflated according to tire specifications.
- Inspect entire fuel system once each month. Look for leaks, damage, loose lines, etc.
- Inspect engine drive belts prior to initial use and once each month thereafter. Replace any belt that is worn, cracked weathered, or otherwise damaged. Check and adjust belt tension. Consider tension correct when applying thumb pressure midway between pulleys causes a belt deflection of about 3/8 to 3/4 inch.
- Check battery electrolyte fluid level once each week. Add distilled water, if needed. Also inspect battery posts, cables and terminals for tightness, cleanliness, corrosion. Clean and tighten as required.
- Drain water and sediment from the optional spin-on fuel filter once each week (if so equipped).
- Start and exercise the unit at least once each week. Run the engine for at least 30 minutes during this exercise period.
- Keep the unit clean and as dry as possible. Use a mild detergent and water to clean exterior surfaces. Areas with paint damage should be cleaned, dried and repainted as necessary. An automotive type of paint may be used on the outside of the compartment.



BLEEDING THE FUEL SYSTEM

The fuel system for this engine has a self-bleeding function, so air should not enter the fuel lines unless the engine has been disassembled for any reason. Bleeding air from the fuel system involves manually actuating the fuel lift pump.

PERIODIC MAINTENANCE LIST

The following maintenance tasks should be performed by an authorized service facility at these periodic intervals.

■ DAILY

- Check engine oil and coolant level.
- Check air cleaner dust valve & restriction indicator, replace filter (as required).
- Visual Walk around inspection.
- Inspect AC power cables and cord sets.

■ EVERY 50 HOURS OR 2 WEEKS

- Check fuel filter.

■ EVERY 250 HOURS

- Check battery state-of-charge and condition, service as necessary.
 - Change engine oil and replace filter.**
- **Change the oil for the first time after 100 hours maximum of (break-in) operation, then every 250 hours thereafter.

■ EVERY 600 HOURS OR 12 MONTHS

- Clean crankcase vent tube.
- Check air intake hoses, connections & system.
- Replace spin-on fuel filters.
- Check automatic belt tensioner and belt wear.
- Check cooling system.
- Coolant Solution analysis-add SCAs as needed.

■ EVERY 1200 HOURS OR 24 MONTHS

- Adjust droop on generator set engine.
- Pressure test cooling system.
- Flush cooling system.
- Check operation of engine protective devices (low oil pressure, high coolant temperature, overspeed).

■ EVERY 2000 HOURS

- Check and adjust engine valve clearance.
- Retorque engine intake manifold bolts.
- Retorque engine exhaust manifold bolts.
- Check injection timing.
- Check/inspect injection nozzles.
- Check engine compression pressure.

ADJUSTMENT OF FUEL INJECTION TIMING

A diesel engine does not have an electrical ignition system like those used on gaseous or gasoline-fueled engines. The diesel fuel is ignited by the heat of compression when the piston moves upward on its compression stroke. The engine firing is timed by precisely timing the injection of fuel into each cylinder at the proper moment. If the unit's injection system appears to be "out of time," have the engine checked and adjusted by an authorized diesel engine service facility. Do not attempt to adjust ignition timing without proper tools, test equipment and general knowledge of the product.

ENGINE SPEED ADJUSTMENT

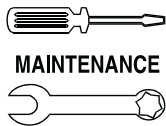
The engine speed is controlled either with a mechanical governor or electronically.

The mechanical, fixed speed governor is part of the fuel injection pump. The governor was factory set to maintain 62 Hertz (1860 RPM) with no electrical loads applied. Under full rated wattage/amperage capacity, frequency may droop to about 59-60 Hertz.

The electronic governor has a solid-state design for the controller circuit board and actuator. This design results in fast, stable engine response to load changes. The controller board was factory set to maintain the unit's rated speed of 1800 rpm to achieve a frequency of 60 Hertz.

If the engine speed controller on the generator needs adjusting, contact an authorized service facility. They will have the proper equipment and trained personnel to complete all necessary adjustments.

****Contact your nearest Generac/Guardian Authorized Dealer for assistance.**



MAINTENANCE

Maintenance

GR-50 Generator Set



WARNING! Do not adjust the engine governed speed without proper equipment and know-how. The governed speed was factory set and should require no additional adjustment. Excessively high speeds are dangerous and increase the risk of personal injury or damage to equipment and/or property. Correct AC frequency and voltage are supplied only at the correct governed speed. Some connected electrical devices are extremely sensitive to frequency and voltage, and may be damaged by incorrect frequency and/or voltage. Operation of the unit at excessively low speeds imposes a heavy load on the engine when sufficient engine power is not available and may shorten engine life.

NOTE:

Generally, if AC frequency and voltage are both correspondingly high or low, the engine governor requires adjustment. If AC frequency is correct but voltage is not, the voltage regulator requires adjustment or some other problem exists.

VOLTAGE REGULATOR ADJUSTMENT

The generator's AC voltage regulator has been factory set to allow an operator to select proper voltage via the voltage adjust dial. If the voltage regulator on the generator needs adjusting, contact an authorized service facility. Only qualified service technicians should adjust voltage regulators.

GENERATOR ROTOR BEARING

The generator rotor is attached to the engine drive shaft at one end. The opposite end of the rotor rides in a pre-lubricated and sealed ball bearing that requires no additional lubrication for the life of the bearing.

MAJOR REPAIRS

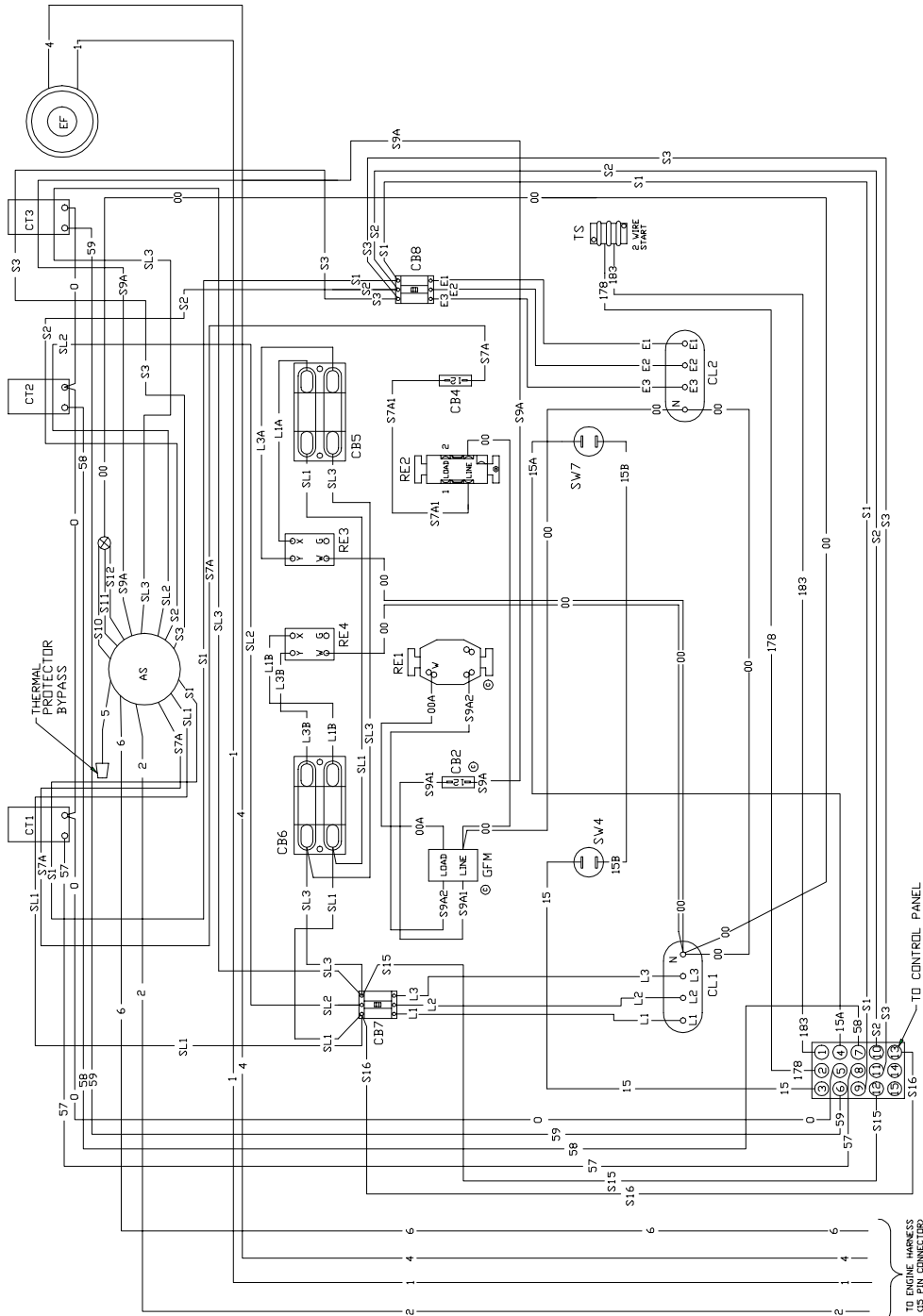
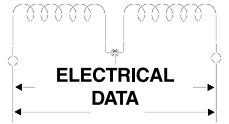
Proper and regular maintenance of the generator is needed to make sure the generator has a long and trouble-free life. Only a qualified, competent generator service technician should perform all major generator service, including installation and replacement of factory approved repair parts. Only qualified, competent diesel engine repair facilities should service the engine, using only factory approved parts.

This section or your OWNER'S MANUAL consists of EXPLODED VIEWS pertaining to the generator and its engine, along with PARTS LISTS for the EXPLODED VIEWS. The PARTS LISTS consist of (a) an item number, (b) quantity required, (c) a part number and (d) a description of the part. The ITEM NUMBER relates to an identical number in the EXPLODED VIEW.

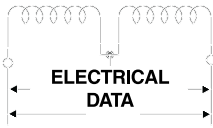
HOW TO ORDER PARTS

To order a replacement part, locate the part in the applicable EXPLODED VIEW in this manual. Provide the dealer/distributor with the following information:

- Generator BUILD NUMBER (from the unit data plate).
- Part NUMBER and DESCRIPTION (from the applicable PARTS LIST in this manual).
- The applicable exploded view DRAWING NUMBER.



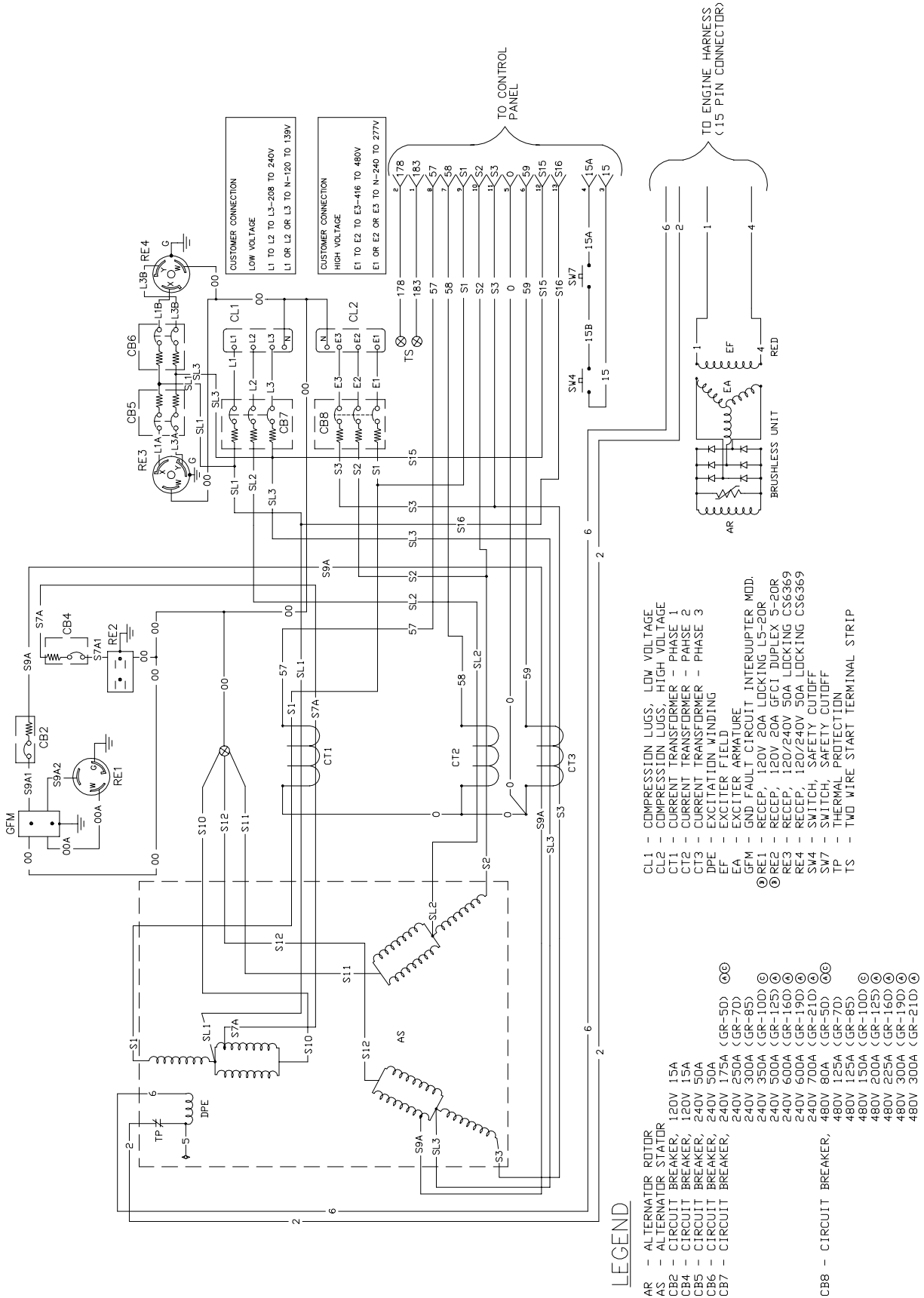
- LEGEND**
- AS - ALTERNATOR STATOR
 - CB2 - CIRCUIT BREAKER; 120V 15A
 - CB4 - CIRCUIT BREAKER; 120V 15A
 - CB5 - CIRCUIT BREAKER; 240V 50A
 - CB6 - CIRCUIT BREAKER; 240V 50A
 - CB7 - CIRCUIT BREAKER; 240V 175A (GR-50)
 - CB8 - CIRCUIT BREAKER; 240V 250A (GR-70)
 - CB8 - CIRCUIT BREAKER; 240V 300A (GR-85)
 - CB8 - CIRCUIT BREAKER; 240V 350A (GR-100)
 - CB8 - CIRCUIT BREAKER; 240V 500A (GR-125)
 - CB8 - CIRCUIT BREAKER; 240V 600A (GR-150)
 - CB8 - CIRCUIT BREAKER; 240V 800A (GR-210)
 - CB8 - CIRCUIT BREAKER; 480V 60A (GR-50)
 - CB8 - CIRCUIT BREAKER; 480V 125A (GR-70)
 - CB8 - CIRCUIT BREAKER; 480V 150A (GR-85)
 - CB8 - CIRCUIT BREAKER; 480V 200A (GR-100)
 - CB8 - CIRCUIT BREAKER; 480V 225A (GR-125)
 - CB8 - CIRCUIT BREAKER; 480V 300A (GR-150)
 - CB8 - CIRCUIT BREAKER; 480V 300A (GR-210)
-
- CL1 - COMPRESSION LUGS, LOW VOLTAGE
 - CL2 - COMPRESSION LUGS, HIGH VOLTAGE
 - CT1 - CURRENT TRANSFORMER - PHASE 1
 - CT2 - CURRENT TRANSFORMER - PHASE 2
 - CT3 - CURRENT TRANSFORMER - PHASE 3
 - DPE - EXCITATION WINDING
 - EF - EXCITER FIELD
 - GFM - GROUND FAULT CIRCUIT INTERRUPTER MODULE
 - RE1 - RECEPTACLE, 120V 50A LOCKING L5-20R
 - RE3 - RECEPTACLE, 120V 50A GFCI DUPLEX S-20R
 - RE4 - RECEPTACLE, 120/240V 50A LOCKING CS6369
 - SW4 - SWITCH, SAFETY CUTOFF
 - SW7 - SWITCH, SAFETY CUTOFF
 - TP - THERMAL PROTECTION
 - TS - TMD WIRE START TERMINAL STRIP



Electrical Data

GR-50 Generator Set

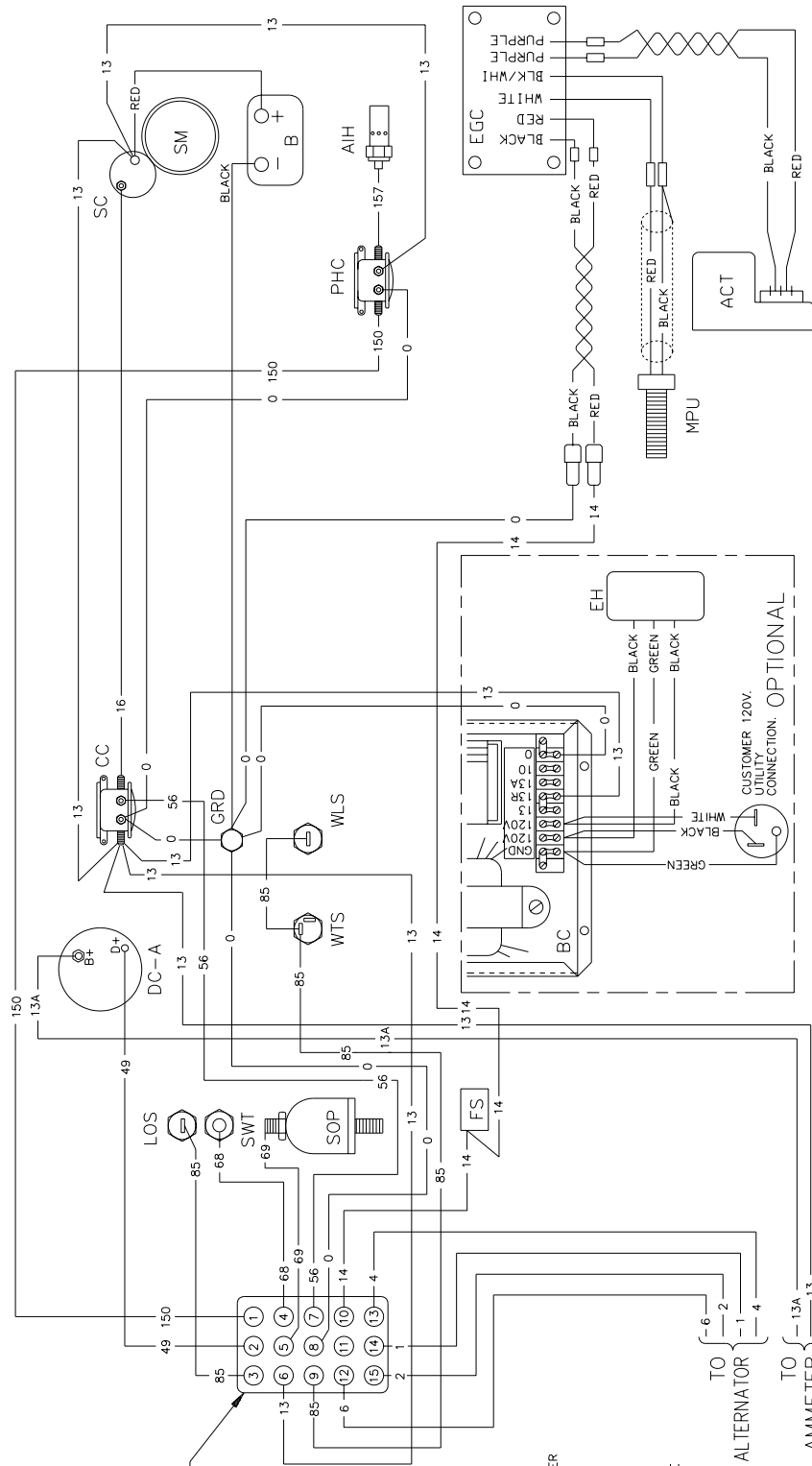
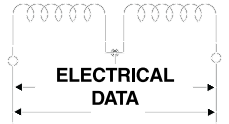
Schematic – AC Receptacle Panel – Drawing No. 0C4690-C



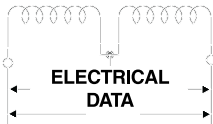
LEGEND

- AR - ALTERNATOR ROTOR
 - AS - ALTERNATOR STATOR
 - CB2 - CIRCUIT BREAKER, 120V 15A
 - CB4 - CIRCUIT BREAKER, 120V 15A
 - CB5 - CIRCUIT BREAKER, 240V 50A
 - CB6 - CIRCUIT BREAKER, 240V 50A
 - CB7 - CIRCUIT BREAKER, 240V 175A (GR-50) ⓄⓄ
 - CB8 - CIRCUIT BREAKER, 240V 250A (GR-70) ⓄⓄ
 - CB8 - CIRCUIT BREAKER, 240V 300A (GR-85) Ⓞ
 - CB8 - CIRCUIT BREAKER, 240V 350A (GR-100) Ⓞ
 - CB8 - CIRCUIT BREAKER, 240V 500A (GR-125) Ⓞ
 - CB8 - CIRCUIT BREAKER, 240V 600A (GR-150) Ⓞ
 - CB8 - CIRCUIT BREAKER, 240V 900A (GR-190) Ⓞ
 - CB8 - CIRCUIT BREAKER, 240V 700A (GR-210) ⓄⓄ
 - CB8 - CIRCUIT BREAKER, 480V 60A (GR-50) ⓄⓄ
 - CB8 - CIRCUIT BREAKER, 480V 125A (GR-70) Ⓞ
 - CB8 - CIRCUIT BREAKER, 480V 150A (GR-85) Ⓞ
 - CB8 - CIRCUIT BREAKER, 480V 200A (GR-100) Ⓞ
 - CB8 - CIRCUIT BREAKER, 480V 225A (GR-125) Ⓞ
 - CB8 - CIRCUIT BREAKER, 480V 300A (GR-150) Ⓞ
 - CB8 - CIRCUIT BREAKER, 480V 300A (GR-190) Ⓞ
 - CB8 - CIRCUIT BREAKER, 480V 300A (GR-210) Ⓞ
-
- CL1 - COMPRESSION LUGS, LOW VOLTAGE
 - CL2 - COMPRESSION LUGS, HIGH VOLTAGE
 - CT1 - CURRENT TRANSFORMER - PHASE 1
 - CT2 - CURRENT TRANSFORMER - PHASE 2
 - CT3 - CURRENT TRANSFORMER - PHASE 3
 - DPE - EXCITATION WINDING
 - EA - EXCITER ARMATURE
 - EF - EXCITER FIELD
 - EM - EXCITER FIELD
 - GF1 - GND. FAULT CIRCUIT INTERRUPTER MDD.
 - RE1 - RECEPT, 120V 20A LOCKING LS-20R
 - RE2 - RECEPT, 120V 20A GFCT DUPLEX S-20R
 - RE3 - RECEPT, 120V/240V 50A LOCKING CS6369
 - RE4 - RECEPT, 120V/240V 50A LOCKING CS6369
 - SW4 - SWITCH, SAFETY CUTOFF
 - SW7 - SWITCH, SAFETY CUTOFF
 - TP - THERMAL PROTECTION
 - TS - TWO WIRE START TERMINAL STRIP

Wiring Diagram – Diesel Engine – Drawing No. 0A3332-B



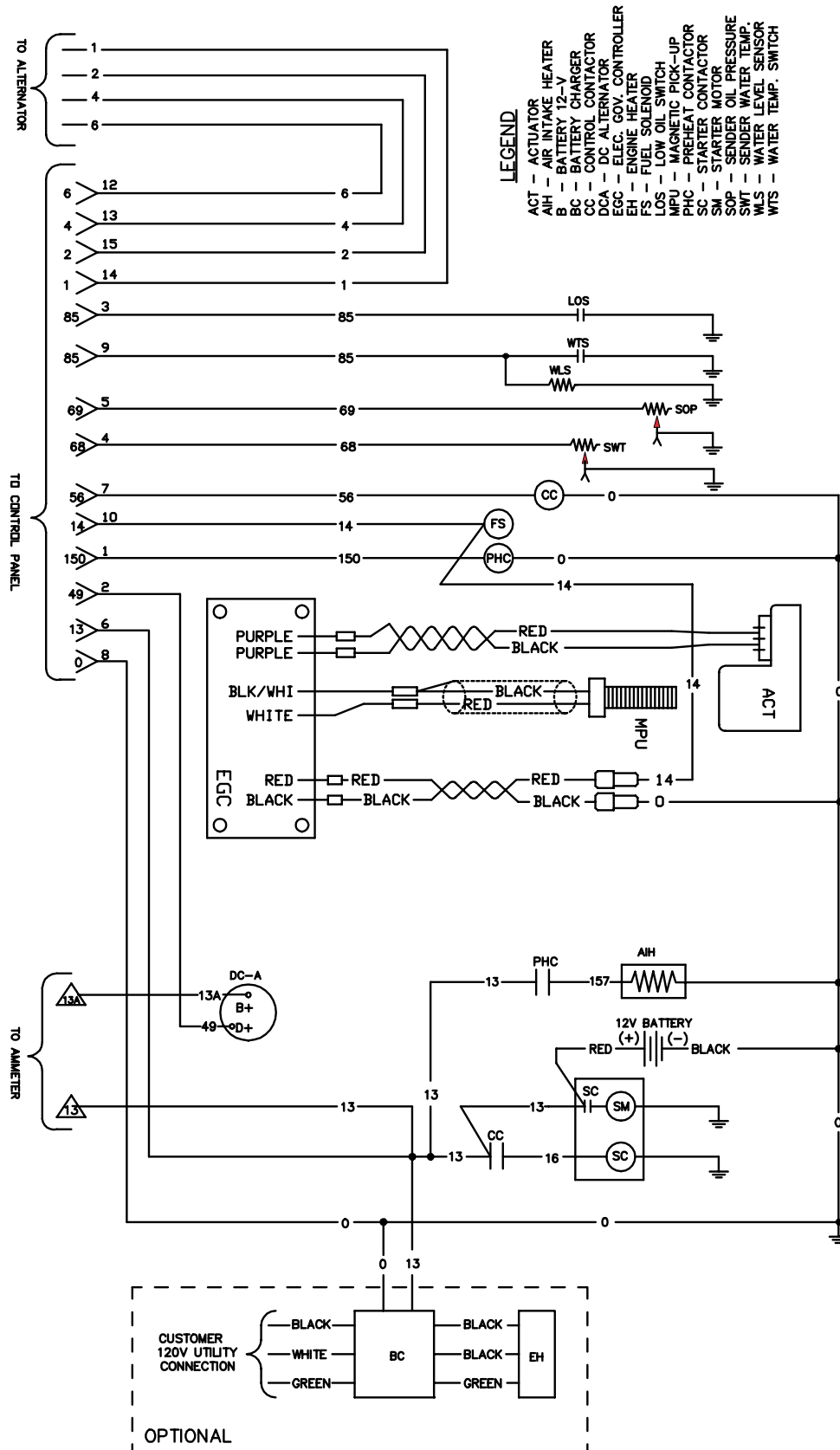
- LEGEND**
- ACT - ACTUATOR
 - AIH - AIR INTAKE HEATER
 - B - BATTERY 12-V
 - BC - BATTERY CHARGER
 - CC - CONTROL CONTACTOR
 - DCA - DC ALTERNATOR
 - ECC - ELEC. GOV. CONTROLLER
 - EH - ENGINE HEATER
 - FS - FUEL SOLENOID
 - GRD - GROUND
 - LOS - LOW OIL SWITCH
 - MPU - MAGNETIC PICK-UP
 - PHC - PREHEAT CONTACTOR
 - SC - STARTER CONTACTOR
 - SM - STARTER MOTOR
 - SOP - SENDER OIL PRESSURE
 - SWT - SENDER WATER TEMP.
 - WLS - WATER LEVEL SENSOR
 - WTS - WATER TEMP. SWITCH

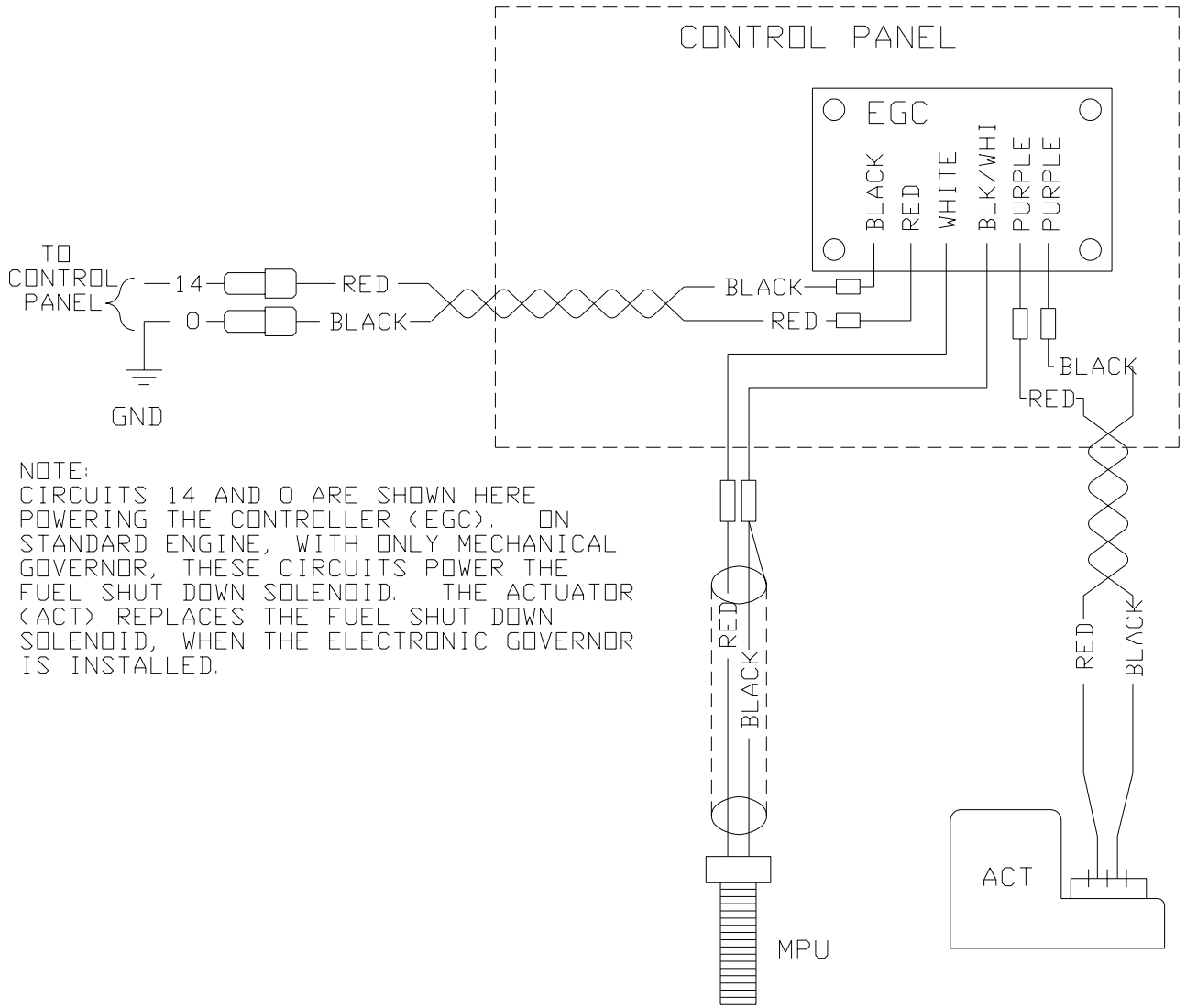
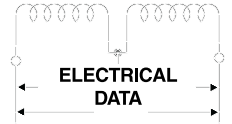


Electrical Data

GR-50 Generator Set

Schematic – Diesel Engine – Drawing No. 0A3333-B

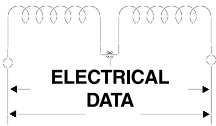




NOTE:
CIRCUITS 14 AND 0 ARE SHOWN HERE
POWERING THE CONTROLLER (EGC). ON
STANDARD ENGINE, WITH ONLY MECHANICAL
GOVERNOR, THESE CIRCUITS POWER THE
FUEL SHUT DOWN SOLENOID. THE ACTUATOR
(ACT) REPLACES THE FUEL SHUT DOWN
SOLENOID, WHEN THE ELECTRONIC GOVERNOR
IS INSTALLED.

LEGEND

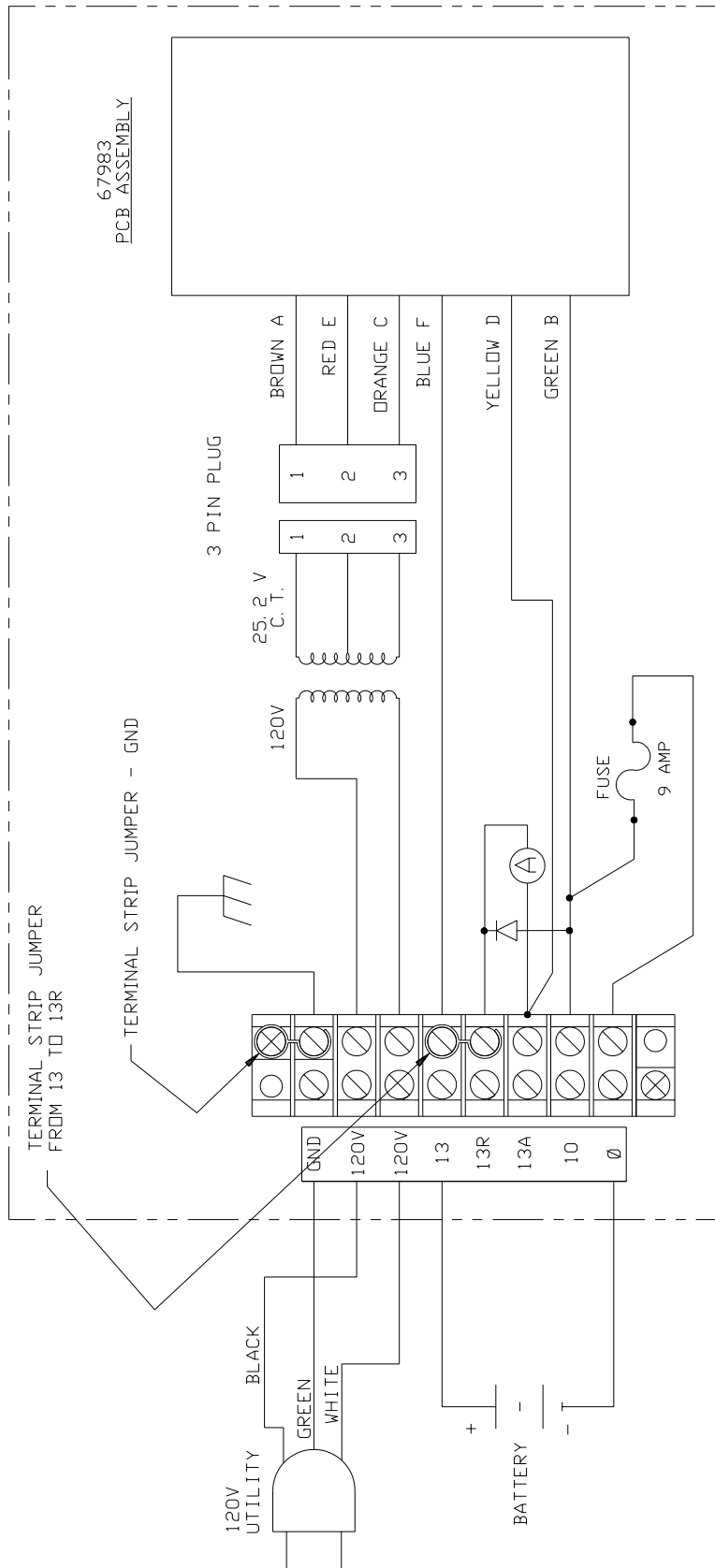
- ACT - ACTUATOR
- EGC - ELECTRONIC GOVERNOR CONTROLLER
- MPU - MAGNETIC PICK-UP



Electrical Data

GR-50 Generator Set

Wiring Diagram – Battery Charger – Drawing No. 0D2672

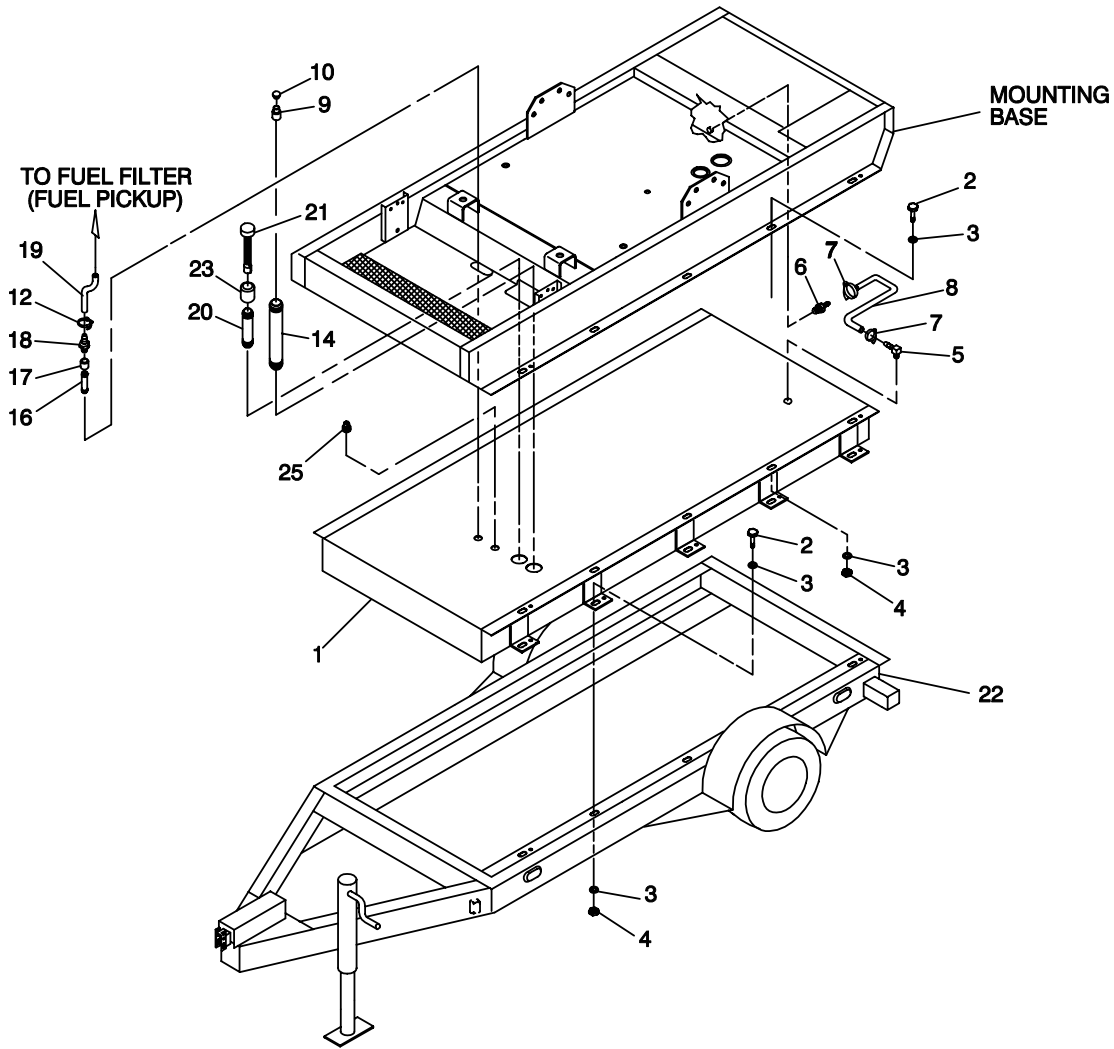




Exploded View and Parts List

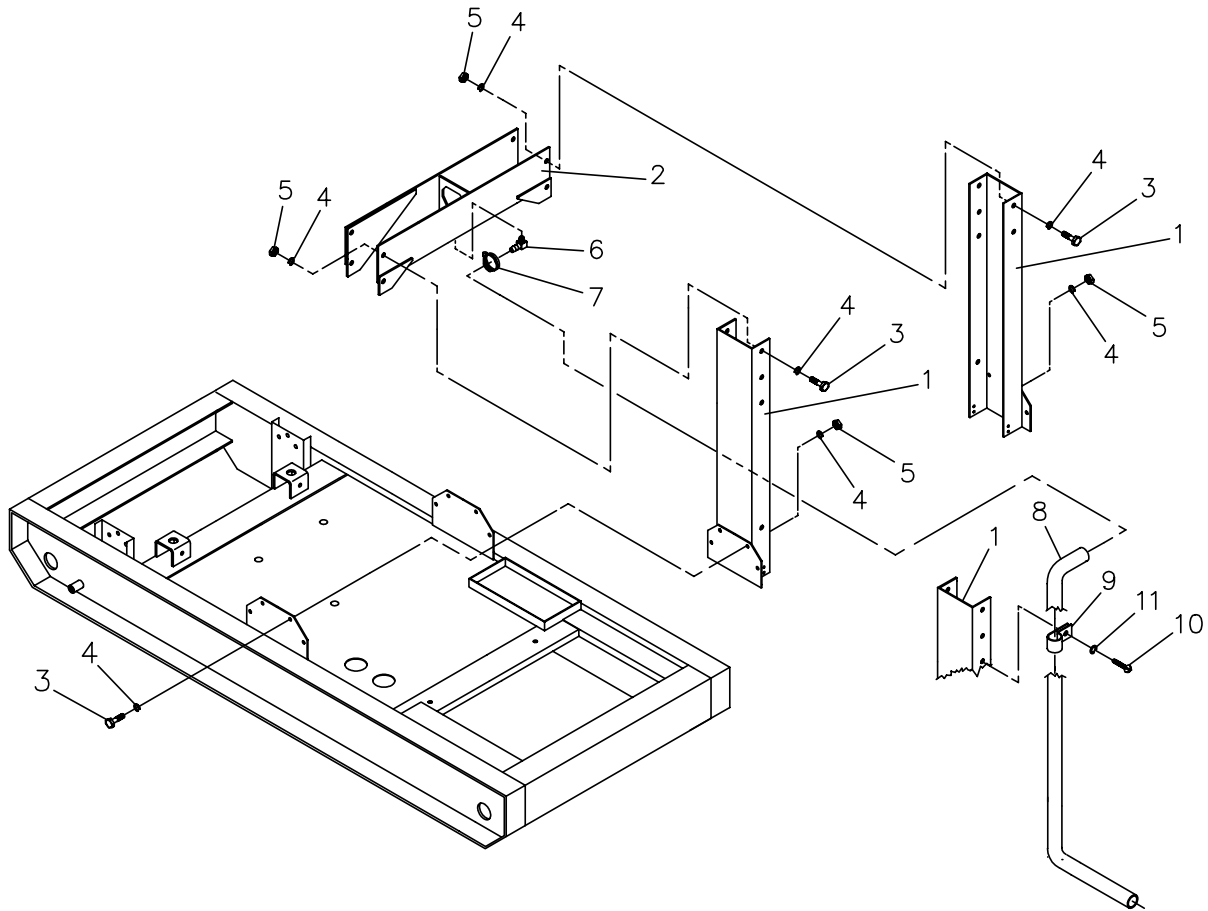
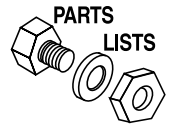
GR-50 Generator Set

Trailer — Drawing No. 090574-K

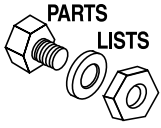


ITEM	PART NO.	QTY.	DESCRIPTION	ITEM	PART NO.	QTY.	DESCRIPTION
1	090125	1	TANK BASE 100 GAL	14	091059	1	NIPPLE 2 NPT X 17
2	035713	20	SCREW HHC 1/2-13 X 1-1/2 G5	16	035482	1	NIPPLE PIPE 1/4 NPT X 6
3	022304	40	WASHER FLAT 1/2 ZINC	17	024268	1	COUPLING FULL 1/4-18
4	073320	20	NUT LOCK HEX INDENT 1/2-13 G5	18	058043	1	STRAIGHT BARBED 1/4 NPT X 5/16
5	056460	1	ELBOW BARBED 90 1/2 NPT X 5/8	19	052221	28"	HOSE RES 5/16 TYP1 SNGL HTR
6	044118	1	STRAIGHT BARBED 1/2 NPT X 5/8	20	091042	1	NIPPLE 1-1/2 NPT X 5.68
7	057823	2	CLAMP HOSE #10 .56 - 1.06	21	090577	1	GAUGE FUEL (12.0")
8	057448	10.5"	HOSE 5/8 ID TYP3 SNGL	22	090311	1	TRAILER 5000 LB S.A.
9	091058	1	NECK FUEL FILL	23	067729	1	COUPLING FULL 1.5-11.5 TAPERED
10	091057	1	CAP FUEL FILL	25	026925	1	PLUG STD PIPE 3/8 STEEL SQ HD
12	040173	2	CLAMP HOSE #5.5 .62 - .62				

Exploded View and Parts List
GR-50 Generator Set
Center Lift — Drawing No. 090448-D



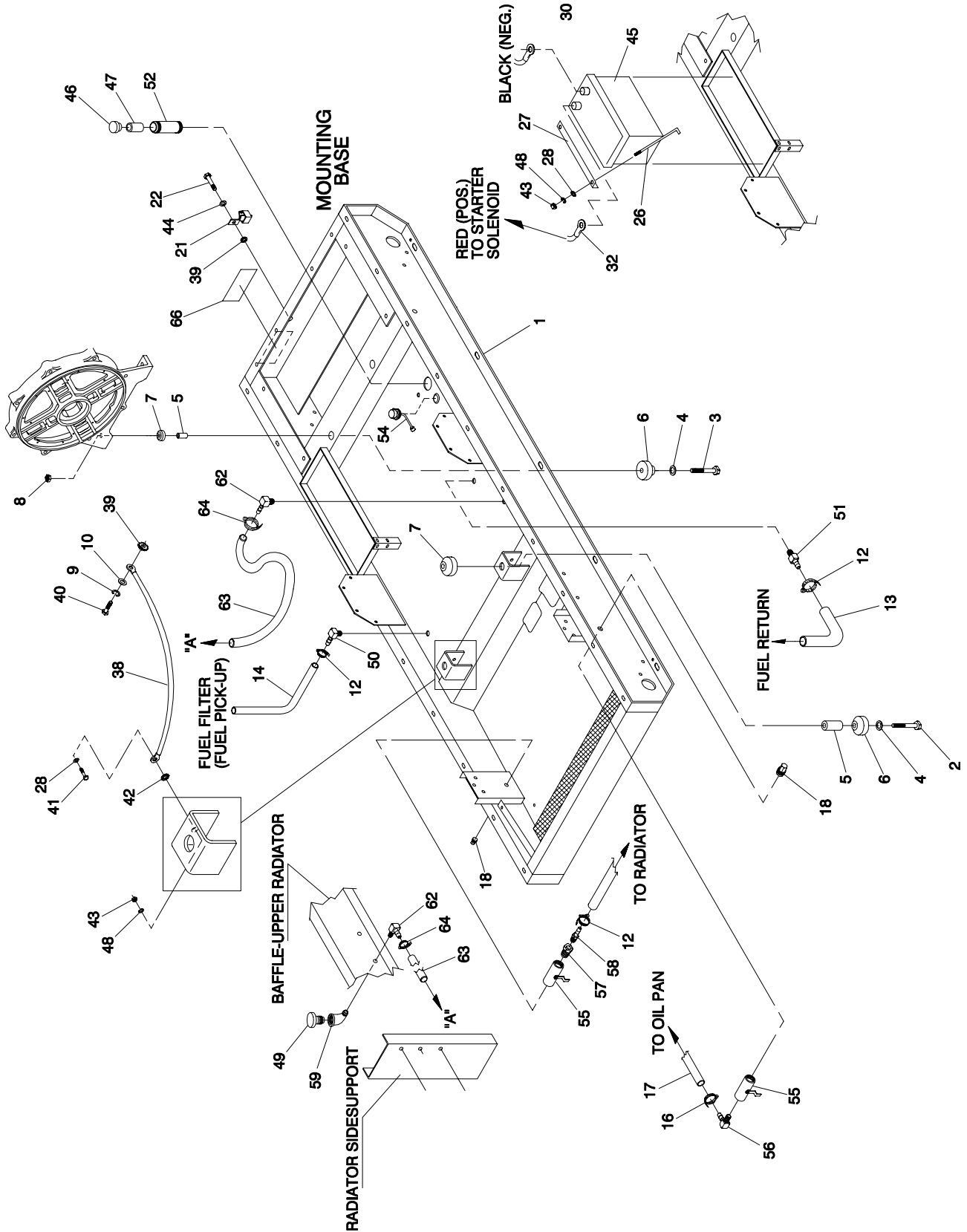
ITEM	PART NO.	QTY.	DESCRIPTION
1	089484A	2	CENTER LIFT SIDE
2	089483B	1	CENTER LIFT TOP
3	090323	16	SCREW HHC 5/8-11 X 1-1/2 G5
4	022247	32	WASHER FLAT 5/8 ZINC
5	081010	16	NUT LOCK HEX INDENT 5/8-11 G5
6	056460	1	ELBOW BARBED 90 1/2 NPT X 5/8
7	057822	1	CLAMP HOSE #8 .53 - 1.00
8	050967	92"	HOSE 5/8 RIA 250F
9	055934B	2	CLAMP VINYL 1 X .281 Z
10	083512	2	SCREW TAPTITE M8-1.25 X 16 BP
11	022129	2	WASHER LOCK M8-5/16



Exploded View and Parts List

GR-50 Generator Set

Mounting Base – Drawing No. 0A4327-G



Exploded View and Parts List

GR-50 Generator Set

Mounting Base — Drawing No. 0A4327-G



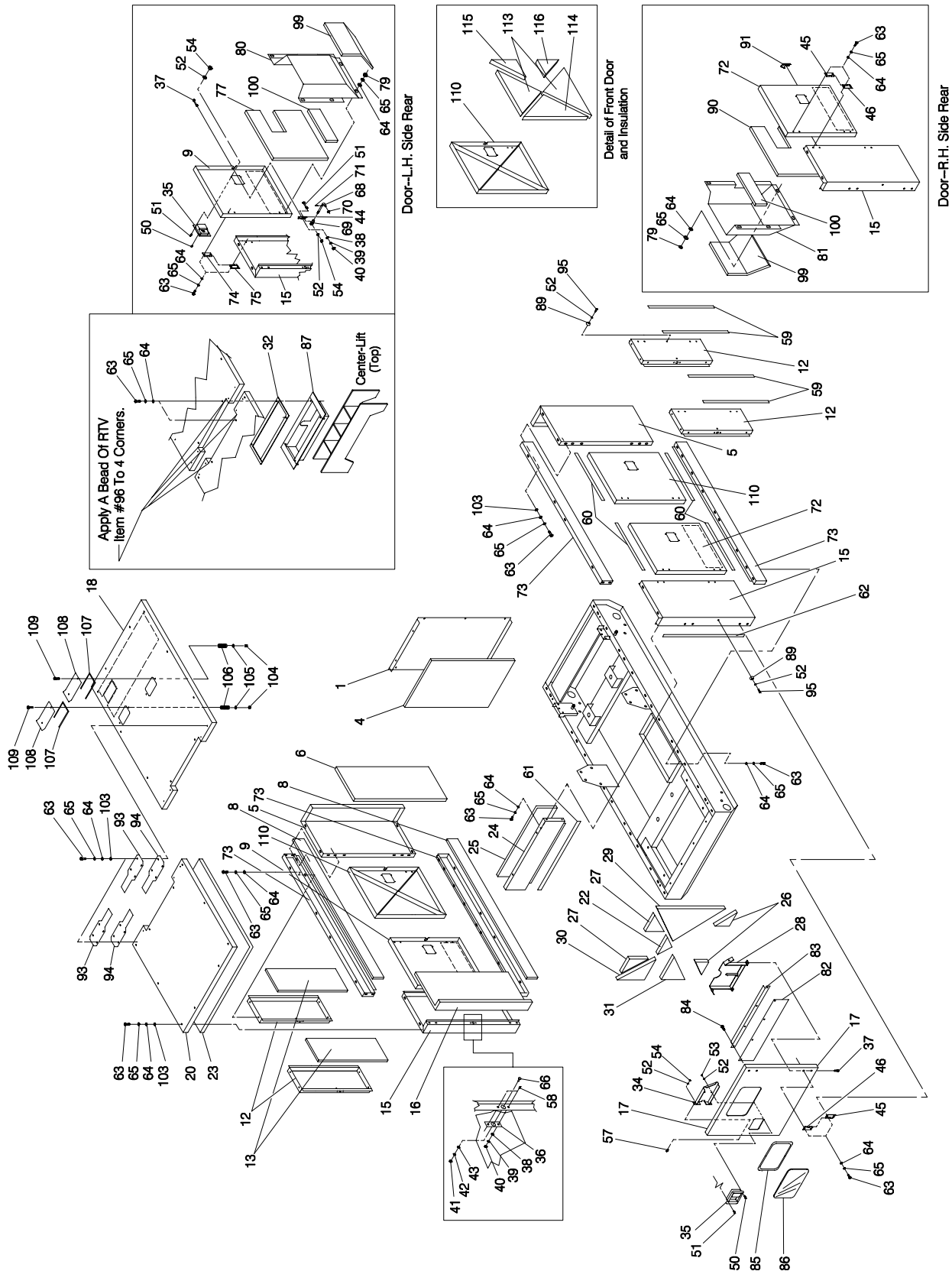
ITEM	PART NO.	QTY.	DESCRIPTION	ITEM	PART NO.	QTY.	DESCRIPTION
1	021818	1	BASE MOUNTING (4.5L JOHN DEERE) GR-50, GR-70, GR-85	38	038804U	28"	CABLE BATTERY RED 28" (5.0L FORD)
	0A6886	1	BASE MOUNTING (5.0L FORD, GR-100)	39	0536210147	10"	WIRE GROUND #4
2	052891	2	SCREW HHC M12-1.75 X 80 G8.8	39	025507	2	WASHER SHAKEPROOF EXT 7/16 STL
3	055597	2	SCREW HHC M12-1.75 X 85 G8.8	40	052617	1	SCREW HHC M12-1.75 X 20 G8.8
4	052259	4	WASHER FLAT M12	41	022142	1	SCREW HHC 5/16-18 X 3/4 G5
5	052257	4	SPACER .49 X .62 X 1.87 PWDR/ZNC	42	027482	1	WASHER SHAKEPROOF EXT 5/16 STL
6	052252	4	DAMPENER VIBRATION	43	022259	3	NUT HEX 5/16-18 STEEL
7	052251A	4	DAMPENER VIBRATION WHITE	44	022131	1	WASHER FLAT M10-3/8 ZINC
8	052860	4	NUT LOCKING M12-1.75	45	061915	1	BATTERY 12V 135-AH 4DLT
9	051769	1	WASHER LOCK M12	46	091057	1	CAP FUEL FILL
10	022250	1	WASHER FLAT 7/16	47	091058	1	NECK FUEL FILL
12	040173	5	CLAMP HOSE #5.5 .62 - .62	48	022129	3	WASHER LOCK M8-5/16
13	074995	36.5"	HOSE RES 1/4 PROP/BUT	49	026847	1	BREATHER
14	052221	30"	HOSE RES 5/16 TYP1 SNGL	50	059502	1	BARBED ELBOW 90 1/4 NPT X 5/16
16	057822	2	CLAMP HOSE #8 .53 - 1.00	51	089617	1	BARBED STRAIGHT 1/4 NPT X 1/4
17	057448	33"	HOSE RES 5/8 TYP3 SNGL	52	090608	1	NIPPLE PIPE 2 NPT X 7 BLK IRON
18	036532	2	CAP PIPE 1/2 NPT	54	090321	1	GAUGE FUEL (8")
21	061383	1	LUG SLDLSS 3/0-#4 X 13/32 CU	55	078944	2	VALVE BALL 1/2" NPT
22	029745	1	SCREW HHC 3/8-16 X 1 G5	56	056460	1	BARBED ELBOW 90 1/2 NPT X 5/8
26	059567	2	BOLT BATTERY HOLD DOWN	57	030418	1	BUSHING REDUCER 1/2 TO 3/8
27	059568	1	BAR BATTERY HOLD DOWN	58	055596	1	BARBED STRAIGHT 3/8 NPT X 3/8
28	022145	3	WASHER FLAT M8-5/16 ZINC	59	026924	1	ELBOW 90 STREET 3/8
30	038805Y	16"	CABLE BATTERY BLACK #1 (4.5L JOHN DEERE)	62	043790	2	BARBED ELBOW 90 3/8 NPT X 3/8
	038805H	23"	CABLE BATTERY BLACK #1 (5.0L FORD)	63	047290	66"	HOSE 3/8 ID SINGLE BRAID
32	03880400AC	21"	CABLE BATTERY RED (4.5L JOHN DEERE)	64	040173	2	CLAMP HOSE #5.5 .62 - .62
				66	094988	1	DECAL GROUNDING



Exploded View and Parts List

GR-50 Generator Set

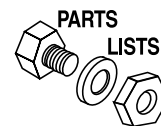
Compartment – Drawing No. 0A4693-H



Exploded View and Parts List

GR-50 Generator Set

Compartment — Drawing No. OA4693-H



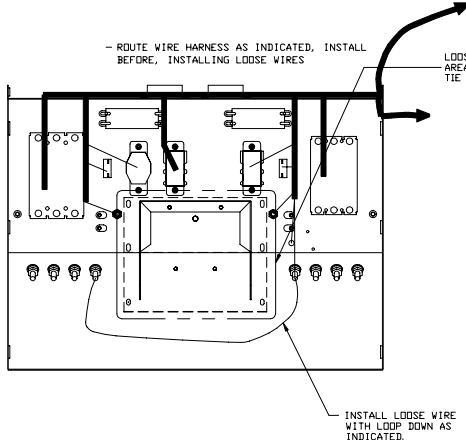
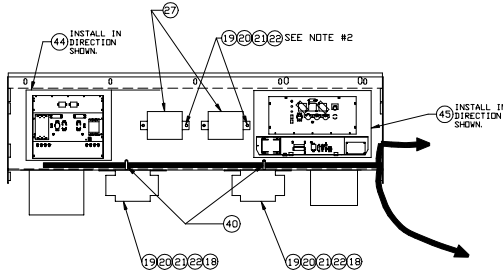
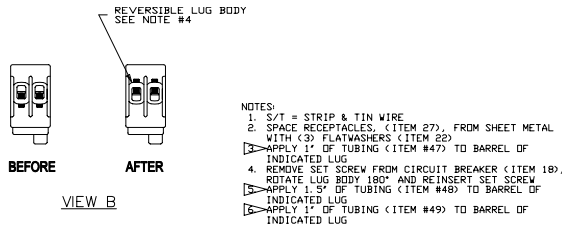
ITEM	PART NO.	QTY.	DESCRIPTION	ITEM	PART NO.	QTY.	DESCRIPTION
1	0A3350	1	PANEL FRONT GR	61	089961	1	FOAM STRIP 3/4 X 1/4 (32.5" LG)
4	089907Y	1	(AI) PANEL FRONT	62	089961	2	FOAM STRIP 3/4 X 1/4 (35" LG)
5	0A3337	1	CORNER POST FRONT LN GR	63	070013	123	SCREW HHC 5/16-18 X 3/4 SS W/VIBRATITE
	0A3338	1	CORNER POST FRONT RH GR	64	090977	151	WASHER FLAT .375 ID X .875 OD
6	089907Z	1	(AI) CORNER POST FRONT RH	65	070006	151	WASHER LOCK M8 SSTL
	090352R	1	(AI) CORNER POST FRONT LH	66	089973	5	PIN STRIKER
8	091318C	4	(AI) BRACE SIDE	68	090129	5	ROD LATCH
9	0A3336A	1	DOOR SIDE GR	69	090185	5	ROD END 10-32 R/H
12	091113	4	SUPPORT SIDE	70	051713	5	WASHER FLAT M5
13	091318B	4	(AI) SUPPORT SIDE	71	029078	5	PIN COTTER 1/16 X 1/2
15	0A3343	1	CORNER POST REAR LH GR	72	0A3336	1	DOOR SIDE GR
	0A3344	1	CORNER POST REAR RH GR	73	0A3345	4	BRACE SIDE
16	091318A	2	(AI) CORNER POST REAR	74	091087A	4	HINGE MALE LH
17	091111	1	DOOR RECEPTACLE PANEL	75	091088A	4	HINGE FEMALE LH
18	0A3341	1	PANEL ROOF FRONT GR	77	091316H	1	(AI) DOOR SIDE LH
20	0A3342	1	PANEL ROOF REAR GR	79	082351	28	NUT HEX 5/16-18 SSTL
22	089908P	1	(AI) DOOR CONTROL PANEL UNDER WINDOW	80	0A3335	1	BAFFLE DOOR LH GR
			(AI) ROOF REAR	81	0A3335A	1	BAFFLE DOOR RH GR
23	091317M	1	(AI) ROOF REAR	82	090354	1	GUARD SPLASH
24	089446	1	BRACE UPPER REAR	83	090355	1	BRACKET SPLASH GUARD
25	091318	1	(AI) BRACE, UPPER REAR	84	058443	4	SCREW CRIMPTITE 1/4-20 X 5/8
26	089908I	2	(AI) DOOR CONTROL PANEL BOTTOM SIDES	85	079497	1	STRIP WEATHER .625 WIDTH
			(AI) DOOR CONTROL PANEL WINDOW SIDES	86	079498	1	WINDOW RECEPTACLE PANEL REAR
27	089908N	2	(AI) DOOR CONTROL PANEL WINDOW SIDES	87	0A3334	1	BAFFLE CENTERLIFT
			HOLDER MANUAL	89	091006	5	BUMPER RUBBER
28	091112	1	HOLDER MANUAL	90	091316J	1	(AI) DOOR SIDE RH
29	089908K	1	(AI) DOOR CONTROL PANEL FULL SIDE	91	089903A	1	LOCK ROTARY
30	089908L	1	(AI) DOOR CONTROL PANEL OVER LOCK	93	0A3340	2	SEAL ROOF GR
31	089908M	1	(AI) DOOR CONTROL PANEL UNDER LOCK	94	0A3339	2	SEAL ROOF NEOPRENE RF GR
32	066760	5'	STRIP SEALANT 1/8 X 1	95	091004	5	SCREW PPHM #8-32 X 1 SS
34	089461	1	COVER-LATCH	96	091081	.5 OZ	RTV WHITE (NOT SHOWN)
35	089900	5	LATCH PADDLE	99	090352N	2	(AI) BAFFLE OUTSIDE DOOR
36	089488	5	PLATE LATCH PIN	100	091316G	2	(AI) BAFFLE INSIDE DOOR
37	089901	19	SCREW PFHM 1/4-20 X 1-1/2 SS	103	095395	71	WASHER NYLON .315
38	084929	29	WASHER FLAT 1/4 SS	104	052858	2	NUT LOCK FLANGE M8-1.25
39	083896	29	WASHER LOCK 1/4-M6 SS	105	022145	2	WASHER FLAT 5/16 ZINC
40	085889	25	NUT HEX 1/4-20 SSTL	106	056315	2	SPRING-COMP.35IDX1.0
41	022509	5	NUT HEX 7/16-14 STEEL	107	056326	3'	TRIM VINYL BLACK 1/8 GP
42	081782	5	WASHER LOCK 7/16 SS	108	056313	2	COVER ACCESS
43	081783	5	WASHER FLAT 7/16 SS	109	042909	2	SCREW HHC M8-1.25 X 30 G8.8
44	089903	4	LOCK ROTARY	110	092141	2	DOOR FRONT
45	091089A	6	HINGE MALE RH	113	089908E	4	(AI) DOOR TOP/BOTTOM
46	091090A	6	HINGE FEMALE RH	114	089908F	2	(AI) DOOR FULL SIDE
50	090969	6	SCREW PPHM #8-32 X 2-1/8 SS	115	089908G	2	(AI) DOOR OVER LOCK
51	078436	19	SCREW PPHM #8-32 X 1/2 SS	116	089908H	2	(AI) DOOR UNDER LOCK
52	080490	45	WASHER FLAT #8 SS	117	089357	2	COVER LATCH (NOT SHOWN, USED ON ITEM #110)
53	089338	6	NUT LOCK HEX #8-32 NYL INS BRASS				
54	083216	29	NUT LOCK HEX #8-32 SS NYL INS				
57	089905	6	SCREW PFHM #8-32 X 3/4 SS				
58	089906	10	SCREW PFHM 1/4-20 X 3/4 SS				
59	089961	8	FOAM STRIP 3/4 X 1/4 (24" LG)				
60	089961	8	FOAM STRIP 3/4 X 1/4 (30" LG)				

NOTE: ANNOTATION (AI)= ACOUSTIC INSULATION
PIECES FROM KIT 0A8536B (KIT INSULATION
ACOUSTIC GR-50)

Exploded View and Parts List

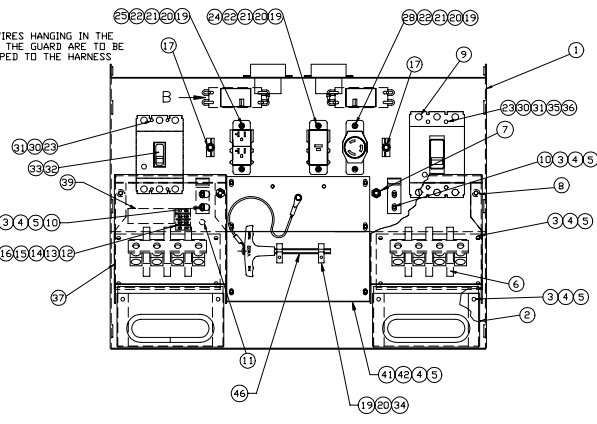
GR-50 Generator Set

Receptacle Panel — Drawing No. 0C1497-J



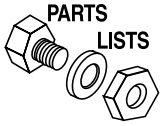
LOOSE WIRES, REFER TO WIRING DIAGRAM C4691 (A) FOR PLACEMENT

LOOSE WIRES #C1496W									
WIRE NO.	WIRE SIZE	WIRE P/N	LENGTH	LUG "A"	LUG "B"	FROM	TO		
00	1	45909	23.00	50946	50946	N	N		
00	1	45909	41.25	50946	50946	N	NEUTRAL BUS		
00	10	31832	25.00	S/T .62"	28805	RE3	N		
00	10	31832	20.00	S/T .62"	28805	RE4	N		
SL3	10	31832	14.00	STRIP .62"	STRIP .62"	CB6	CB5		
SL1	10	31832	14.00	STRIP .62"	STRIP .62"	CB6	CB5		
SL1	6	48261	10.25	STRIP .62"	55415	CB6	CB7		
SL3	6	48261	6.75	STRIP .62"	55415	CB6	CB7		
L1	1	45909	6.50	50946	STRIP 0.75"	L1	CB7		
L2	1	45909	6.50	50946	STRIP 0.75"	L2	CB7		
L3	1	45909	6.50	50946	STRIP 0.75"	L3	CB7		
E1	4	31834	7.00	30470	STRIP 0.62"	E1	CB8		
E2	4	31834	7.00	30470	STRIP 0.62"	E2	CB8		
E3	4	31834	7.00	30470	STRIP 0.62"	E3	CB8		
L3B	10	31832	10.00	S/T .62"	STRIP .62"	RE4	CB6		
L1B	10	31832	10.00	S/T .62"	STRIP .62"	RE4	CB6		
L1A	10	31832	10.00	S/T .62"	STRIP .62"	RE3	CB5		
L3A	10	31832	10.00	S/T .62"	STRIP .62"	RE3	CB5		



ITEM	PART NO.	QTY.	DESCRIPTION
1	0C1487	1	RECEPTACLE PANEL W/SILKSCREEN
2	0A2090	1	ASSY LUG BOX LOW VT
3	085296	16	SCREW HHC 1/4-20 X 1/2 SS
4	083896	22	WASHER LOCK 1/4-M6 SS
5	084929	26	WASHER FLAT 1/4 SS
6	091989	2	ASSEMBLY BLOCK LUG
7	055920	2	SWITCH 1PST SPADE PNL MNT
8	080765	2	BUMPER RUBBER
9	065511	12	PLUG BUTTON 1/2
10	0A2081	2	HASP LUG BOX DOOR
11	022717A	1	GROMMET 3/8 X 1/16 X 1/4
12	048766	1	BLOCK TERMINAL 20A 2 X 6 X 1100V
13	022985	2	WASHER FLAT #6 ZINC
14	022155	2	WASHER LOCK #6
15	036906	2	SCREW PPHM #6-32 X 1
16	022188	2	NUT HEX #6-32 STEEL
17	075207D	2	CIRCUIT BREAKER 15 X 2 UL/CSA SANG MAO
18	083331	2	CIRCUIT BREAKER 50 X 2 240V SQUARE D
19	078436	16	SCREW PPHM #8-32 X 1/2 SS
20	078437	16	WASHER LOCK 8-M4 SS
21	078438	14	NUT HEX #8-32 SSSL
22	080490	40	WASHER FLAT #8 SS
23	040295	8	WASHER LOCK #10 SS

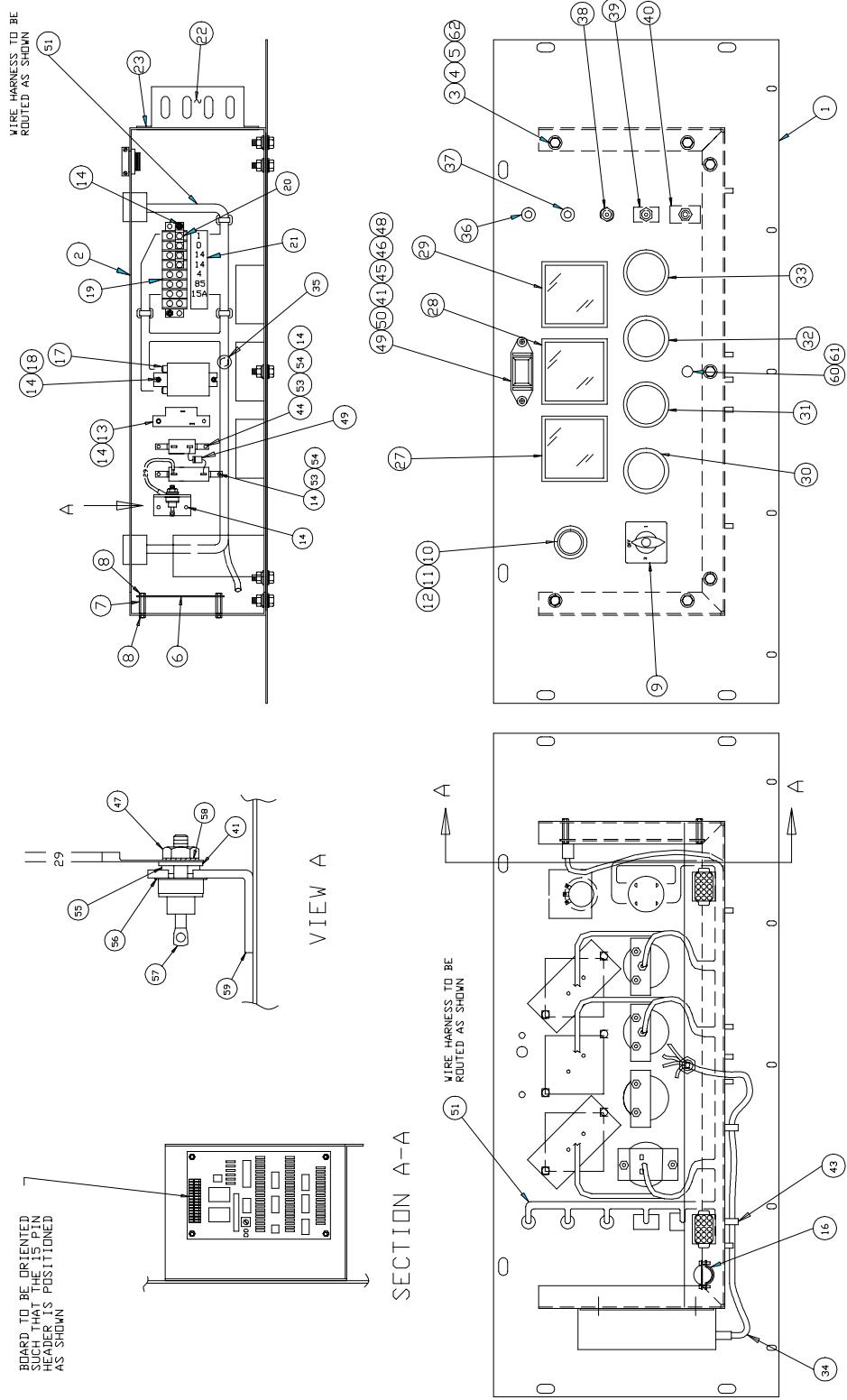
ITEM	PART NO.	QTY.	DESCRIPTION
24	080410	1	RECEPTACLE BLK FACE GFCI20A
25	080409	1	RECEPTACLE DUPLEX GFCI20A
27	079486	2	OUTLET 50A 120/240V
28	074190	1	OUTLET 20A 125V NEMA L5-20R
30	090427	1	WASHER FLAT #10 SS
31	040292	8	NUT HEX #10-32 SSSL
32	090581	4	SCREW RHM #10-32 X 3-1/2 SS
33	081507U	1	CIRCUIT BREAKER 80 X 3 480V UL SQUARE D
34	065852A	2	SPRING CLIP .37-.62 VINYL
35	048927	4	SCREW RHM #10-32 X 4-1/2
36	081522U	1	CIRCUIT BREAKER 175 X 3 600V UL SQUARE D
37	0A2084	1	ASSEMBLY LUG BOX HIGH VT
38	090441	1	HARNESS RECEPTACLE PANEL (NOT SHOWN)
39	064828	1	DECAL TRANSFER SWITCH CONN
40	029333	2	TIE WRAP 7" WHITE
41	096801	1	GUARD BRIDGE RECTIFIER
42	083895	6	SCREW HHC 1/4-20 X 1 SS
44	091150	1	DECAL RECEPTACLE PANEL
45	091149	1	DECAL CONTROL PANEL
46	091175	1	ASSEMBLY WRENCH-HEX 3/8
47	046228	2"	SHRINK TUBING 3/8 ID CLR (NOT SHOWN)
48	046743	10.5"	SHRINK TUBING UL 3/4 ID CLR (NOT SHOWN)
49	048938	3"	SHRINK TUBING 1/2 ID BLK (NOT SHOWN)



Exploded View and Parts List

GR-50 Generator Set

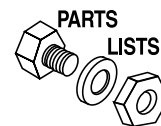
Control Panel – Drawing No. 091245-H



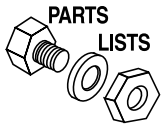
Exploded View and Parts List

GR-50 Generator Set

Control Panel — Drawing No. 091245-H



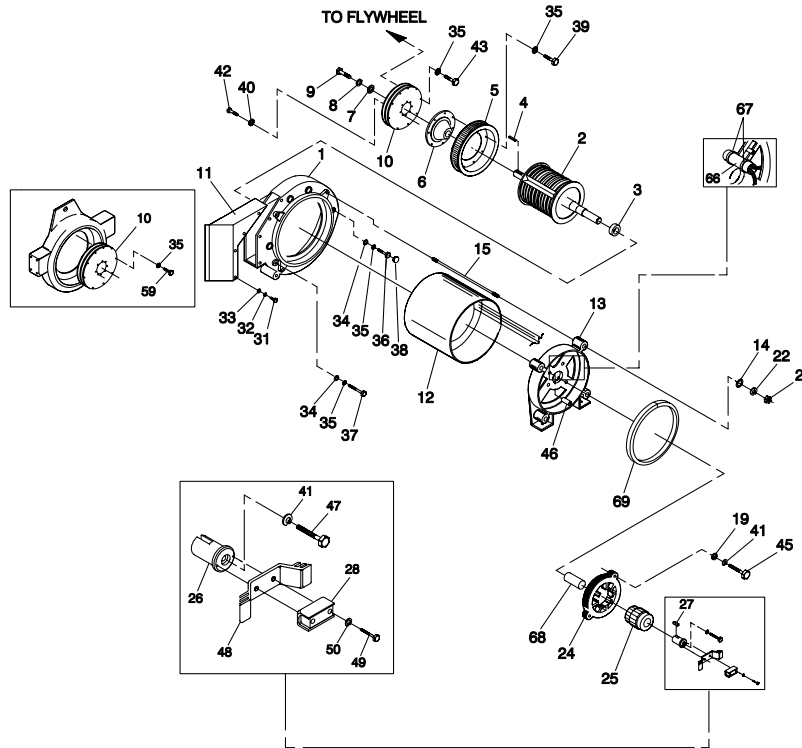
ITEM	PART NO.	QTY.	DESCRIPTION	ITEM	PART NO.	QTY.	DESCRIPTION
1	089532	1	CONTROL PANEL FRONT W/SILKSCREEN	070058	1	AMMETER AC 0-400 (CT 110) (GR 100)	
2	090504	1	CONTROL PANEL REAR	29	070042	1	METER FREQUENCY (55-65 HZ)
3	085296	7	SCREW HHC 1/4-20 X 1/2 SS	30	055406	1	GAUGE COOLANT TEMPERATURE
4	083896	11	WASHER LOCK 1/4-M6 SS	31	055405	1	GAUGE OIL PRESSURE
5	084929	18	WASHER FLAT 1/4 SS	32	062304	1	AMMETER 40-0-40 DC
6	082495	1	CIRCUIT BOARD ASSEMBLY 12/24V ENGINE CONTROL	33	070081	1	HOURMETER
7	064525	4	STANDOFF HEX 3/4	34	090512	1	HARNESS VOLTAGE REGULATOR
8	064526	8	SCREW TAP HWH #6-25 X 3/8 ZINC	35	042632	1	GROMMET 1/2 X 1/16 X 3/8
9	061945	1	SWITCH SELECTOR 6A AMP/V (STD CT'S)	36	064009B	1	LIGHT 12VDC .02A LED GREEN
	074386	1	SWITCH SELECT VOLT/AMP 3PH (CSA CT'S) (GR 50, GR 70, GR 85)	37	064009	1	LIGHT 12VDC .02A LED RED PILOT
10	055349	1	INSULATOR	38	055920	1	SWITCH SPST SPADE PNL MNT
11	053693	1	POTENTIOMETER 10K 10% 2.25W PANEL MT	39	061694	1	SWITCH TOG SPDT 6A SPD CTR OFF
12	050123	1	KNOB PLASTIC .25 SHAFT	40	061943	1	SWITCH TOGGLE DPST 15A SPD PROG
13	054502	1	CIRCUIT BREAKER 3X1 ETA 46-500-P (CT85/60) (GR 70, GR 85)	41	023897	3	WASHER FLAT #10 ZINC
	048512	1	CIRCUIT BREAKER 5X1 ETA 46-500-P (CT45, GR50)	43	028739	3	TIE WRAP 4" BLACK
	049350	1	CIRCUIT BREAKER 4X1 ETA 46-500-P (CT 110, GR 100)	44	044213	1	RESISTOR 10R 5% 12W
	048505	1	CIRCUIT BREAKER 6X1 ETA 46-500-P (CT 110)	45	022152	2	WASHER LOCK #10
14	0C2428	12	SCREW TAPTITE PH #6-32X1/2 ZYC	46	033138	2	SCREW HHM #10-32 X 5/8
16	022206	1	FITTING STRAIGHT 3/8	47	022158	1	NUT HEX #10-32 STEEL
17	063617	1	RELAY PNL 12VDC DPDT 10A @ 240VA	48	070202	1	LIGHT PANEL
18	022985	2	WASHER FLAT #6 ZINC	49	025192	1	RECTIFIER MSC 2A 600V 1N5062
19	057701	1	BLOCK TERM 20A 8 X 6 X 1100V	50	070082	1	BLOCKER LIGHT
20	046669	3	BLOCK TERM JUMPER FOR S141	51	090440	1	HARNESS CONTROL PANEL
21	090513	1	DECAL TERMINAL STRIP	53	057405	1	RESISTOR 25R 5% 25W (GR 50, GR 70, GR 85)
22	067680	1	ASSEMBLY VOLTAGE REGULATOR 60HZ		057907	1	RESISTOR WW LUG 10R 10% 25W
23	0C2212	4	SCREW TAPTITE PH M4-0.7 X 16 ZYC	54	064733	2	BRACKET RESISTOR MOUNTING FOR 25 W
27	079983	1	VOLTMETER-DUAL VOLTAGE	55	030468	1	WASHER STEP NYLON .20
28	070057	1	AMMETER AC 0-300 (CT 85/60) (GR 70, GR 85)	56	070370	1	WASHER MICA .203
	070045	1	AMMETER AC 0-200 (CT 45) (GR 50)	57	049939	1	RECTIFIER MSC 12A 600V 1N1206R
				58	023762	1	WASHER SHAKEPROOF EXT #10 STL
				59	055444	1	HEATSINK
				60	032300	1	HOLDER FUSE
				61	022676	1	FUSE 15A X AGC15
				62	085889	7	NUT HEX 1/4-20 SSTL



Exploded View and Parts List

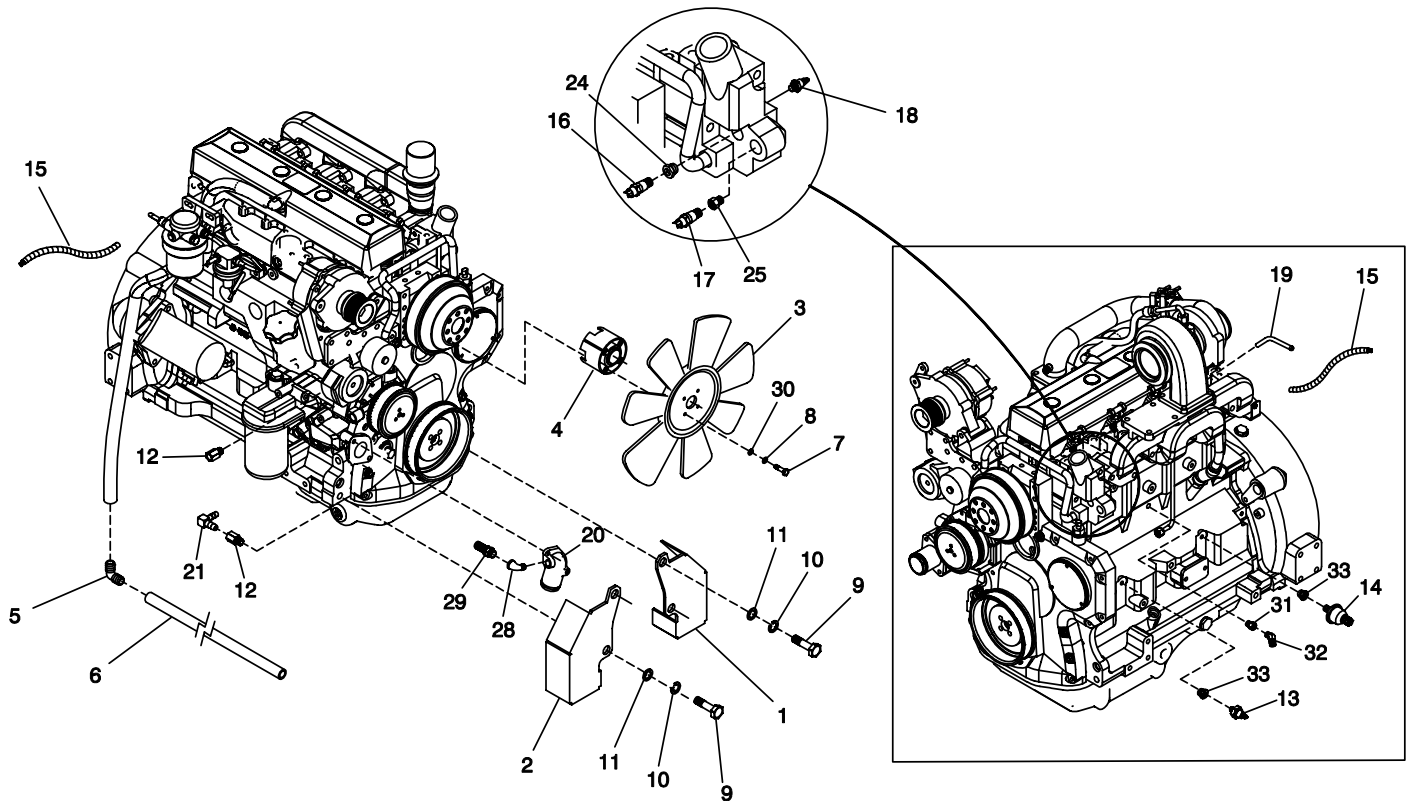
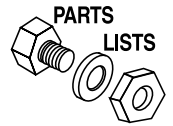
GR-50 Generator Set

Generator Assembly — Drawing No. 093110-E



ITEM	PART NO.	QTY.	DESCRIPTION	ITEM	PART NO.	QTY.	DESCRIPTION
1	063858	1	HOUSING BLOWER SAE	25	087272	1	ASSEMBLY EXCITER 2" STK
2	092917A00Q	1	ASSEMBLY ROTOR 390MM 100KW SP (CT-85, CT-60) (GR-50, 70, 85)	26	090064	1	CAP END ROTOR 390MM
	092917A00N	1	ASSEMBLY ROTOR 390MM 60KW SP (CT-45)	27	072878	1	KEY SQ 3/8 X 3-1/4 STEEL
	092917D0BB	1	ASSEMBLY ROTOR 390MM 125KW 1P (CT-110)	28	090152	1	ASSEMBLY BRIDGE RECTIFIER
3	052624	1	BEARING BALL 6212 SEALED	31	047411	6	SCREW HHC M6-1.0 X 16 G8.8
4	042558	1	KEY SQ 3/8 X 1 STEEL	32	022097	6	WASHER LOCK M6-1/4
5	042535	1	FAN REVCOR	33	022473	6	WASHER FLAT 1/4 ZINC
6	073302	1	COUPLING DRIVE	34	022131	24	WASHER FLAT M10-3/8 ZINC
7	072879	1	SPACER .69 X 2.75 X .37 ST/ZNC	35	046526	16	WASHER LOCK M10
8	070265	1	WASHER LOCK M16	36	057192	6	SCREW SHC M10-1.5 X 30 G12.9
9	070263	1	SCREW HHC M16-2.0 X 35 G10.9	37	056768	2	SCREW HHC M10-1.5 X 90 G8.8
10	063855	3	PLATE FLEX SAE	38	061983	5	PLUG PLASTC 1.0 BLACK
11	081753	1	SCREEN AIR OUTLET (CT85/60/45) (GR-50, 70, 85)	39	051756	8	SCREW HHC M10-1.5 X 20 G8.8
	093860	1	SCREEN AIR OUTLET (CT110)	40	022250	6	WASHER FLAT 7/16
12	089445	1	ASSEMBLY STATOR 390 68 X B3 (CT-85, CT-60) (GR-50, 70, 85)	41	051769	3	WASHER LOCK M12
	090716	1	ASSEMBLY STATOR 390 36 X B3 (CT-45)	42	051768	6	SCREW HHC M12-1.75 X 25 G8.8
	092082	1	ASSEMBLY STATOR 390 98 X B4 (CT-110)	43	059980	8	SCREW HHC M10-1.5 X 25 G10.9 (CT'S)
13	068113	1	CARRIER REAR BEARING 15"	44	029745	8	SCREW HHC 3/8-16 X 1 G5 (GR-50, 70, 85)
14	022132	4	WASHER FLAT 9/16 ZINC	45	068406	2	SCREW HHC M12-1.75 X 60 G10.9
15	04576100BE	4	STUD M14-2.0 X 597 G5 ZINC (FOR 19" STATOR) (GR-50, 70, 85)	46	022392	2	PIN DOWEL 1/2 X 1-1/4
	04576100BX	4	STUD M14-2.0 X 673 G5 ZINC (FOR 22" STATOR) (CT-110)	47	068406	1	SCREW HHC M12-1.75 X 60 G10.9
19	052259	2	WASHER FLAT M12	48	090063	1	SUPPORT DIODE BRIDGE 15"
22	043123	4	WASHER LOCK M14	49	033144	2	SCREW HHM #10-32 X 7/8
23	051779	4	NUT HEX M14-2 G8 YEL CHR	50	022769	2	WASHER SHAKEPROOF INT #10
24	068405	1	EXCITER FIELD 15" 2" LONG	59	042633	8	SCREW HHC 3/8-24 X 1 G5
				66	083549	1	RUBBER SLEEVE
				67	031980	2	TIE WRAP 11" WHITE
				68	092950	1	COLLAR SLIP FIT 390MM
				69	052250	1	TAPE FOAM 1 X 1

Exploded View and Parts List
GR-50 Generator Set
Engine 4.5L — Drawing No. 0A4333-E



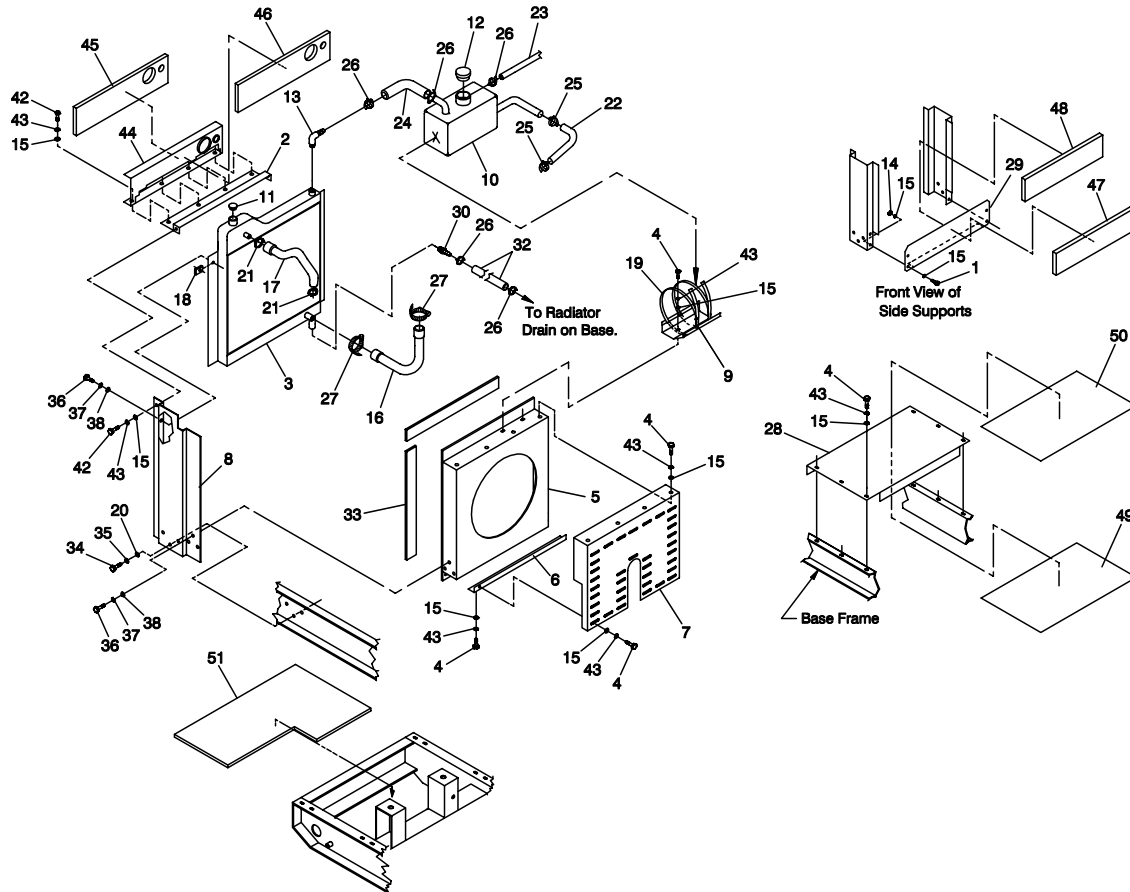
ITEM	PART NO.	QTY.	DESCRIPTION	ITEM	PART NO.	QTY.	DESCRIPTION
1	021551	1	BRACKET ENG MOUNT LH	16	057522	1	SENSOR COOLANT LEVEL
2	021542	1	BRACKET ENG MOUNT RH	17	053667	1	SENDER WATER TEMPERATURE
3	095262	1	FAN COOLING 18"	18	035606	1	SENSOR HI COOLANT SHUTDOWN
4	0A4604	1	SPACER FAN MACHINED 2"	19	0A4854	1	TUBE FUEL RETURN 4.5L
5	0A4977	1	ELBOW90 DEG 3/4-3/4	20	0A4601	1	ELBOW WATER PUMP 1/2 14
6	085964	25"	HOSE 3/4 ID 100R6	21	034339	1	BARBED ELBOW 90 3/8 NPT X 5/8
7	061906	4	SCREW HHC M8-1.25 X 85 G8.8	24	030418	1	BUSHING REDUCER 1/2 TO 3/8
8	022129	4	WASHER LOCK M8-5/16	25	086096	1	ADAPTER WATER TEMP SENDER
9	0A2601	4	SCREW HHC M16-2.0 X 45 G8.8	28	026739	1	ELBOW RED STREET 3/4 X 1/2
10	070265	4	WASHER LOCK M16	29	078586	1	BARBED STRAIGHT 3/4 NPT X 1
11	0A1646	4	WASHER FLAT M16	30	022145	4	WASHER FLAT 5/16 ZINC
12	0A4707E	2	ADAPT, 3/8 NPT-M18 X 1.5	31	062303	1	ADAPTOR 1/4 NPT TO 3/8 NPT
13	0A8584	1	SWITCH OIL PRESSURE	32	0C4905	1	BARBED ELBOW 45 FITTING
14	053666	1	SENDER OIL PRESSURE	33	042574	2	ADAPTOR 1/8 NPTF TO 1/8-28
15	0A1693	1	WIRE HARNESS 4.5L JOHN DEERE				



Exploded View and Parts List

GR-50 Generator Set

Radiator Assembly — Drawing No. OA4309-E



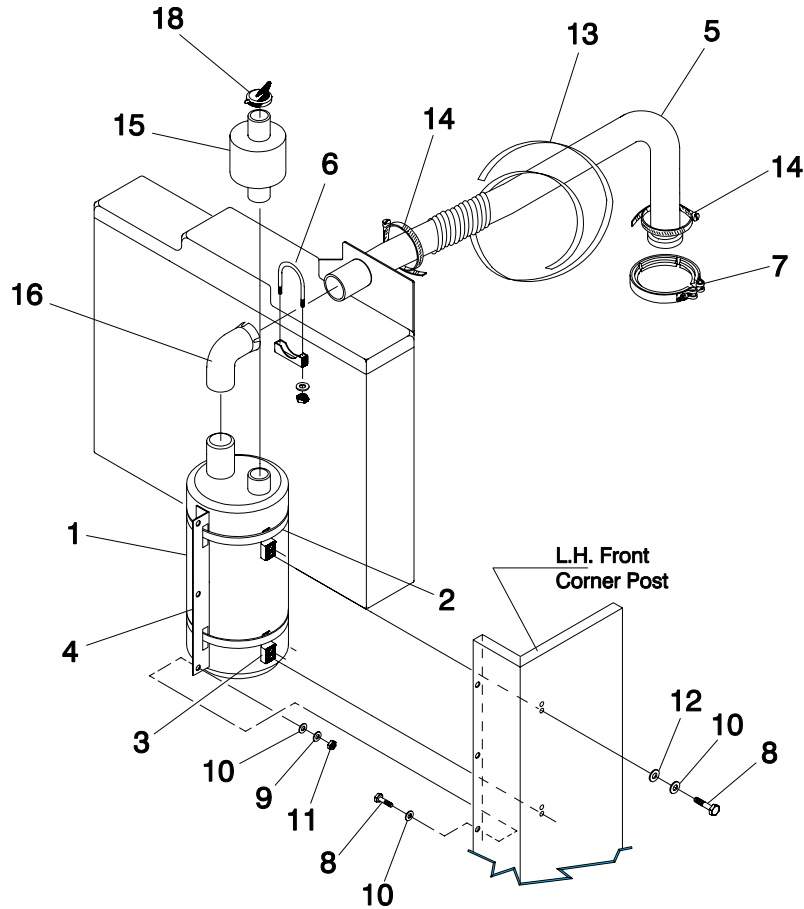
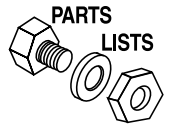
ITEM	PART NO.	QTY.	DESCRIPTION	ITEM	PART NO.	QTY.	DESCRIPTION
1	022413	4	SCREW HHC 1/4-20 X 1 G5	26	040173	5	CLAMP HOSE #5.5 .62 - .62
2	099458	2	DUCT TOP/BOTTOM 5.0/7.5	27	042561	2	CLAMP HOSE #36 1.88 - 2.75
3	087871A	1	RADIATOR RH OUTLET	28	0A4816	1	BAFFLE MOUNTING BASE GR
4	022287	30	SCREW HHC 1/4-20 X 3/4 G5	29	0A4821	1	BAFFLE LOWER RADIATOR
5	021970	1	VENTURI 4.5L J DEERE	30	035461	1	BARBED STRAIGHT 1/4 NPT X 3/8
6	021968	1	GUARD LOWER SUPPORT J DEERE	32	047290	30"	HOSE 3/8 ID SINGLE BRAID
7	021969	1	GUARD FAN J DEERE	33	052250	10 FT	TAPE FOAM 1 X 1
8	021971	1	SUPPORT SIDE RAD RH J DEERE	34	039436	6	SCREW HHC 1/2-13 X 3/4 G5
	021972	1	SUPPORT SIDE RAD LH J DEERE	35	022195	6	WASHER LOCK 1/2
9	099448	1	SUPPORT SURGE TANK	36	029745	12	SCREW HHC 3/8-16 X 1 G5
10	090097	1	TANK SURGE	37	022237	12	WASHER LOCK 3/8
11	046627	1	CAP RADIATOR	38	022131	12	WASHER FLAT M10-3/8 ZINC
12	090283	1	CAP RADIATOR 13 PSI	42	047411	6	SCREW HHC M6-1.0 X 16 G8.8
13	059502	1	BARBED ELBOW 90 1/4 NPT X 5/16	43	022097	38	WASHER LOCK M6-1/4
14	026311	4	NUT LOCK HEX JAM 1/4-20 NYL IN	44	0A2122A	1	BAFFLE RADIATOR UPPER
15	022473	46	WASHER FLAT 1/4 ZINC	45*	090352000C	1	(AI) BAFFLE RAD UPPER FRONT
16	0A3433	1	HOSE LOWER RAD J DEERE	46*	090352000A	1	(AI) BAFFLE RAD UPPER REAR
17	0A2509	1	HOSE UPPER RAD J DEERE	47*	090352T	1	(AI) BAFFLE RAD SUPPORT FRONT
18	099667D	6	NUT SPRINGCLIP 3/8-16	48*	090352U	1	(AI) BAFFLE RAD SUPPORT REAR
19	078190	2	CLAMP HOSE #80 4.62 - 5.50	49*	090352S	1	(AI) BAFFLE MOUNTING BASE LOWER
20	022304	6	WASHER FLAT 1/2 ZINC	50*	0A2845A	1	(AI) MOUNTING BASE
21	035685	2	HOSE CLAMP #28 1.32-2.25	51*	0A2845	1	(AI) MOUNTING BASE
22	035587	24"	HOSE 1" ID CVR NEOPR SAE-20R3				
23	029032	48"	HOSE 9/32 ID				
24	029032	24"	HOSE 9/32 ID				
25	035586	2	CLAMP HOSE #20 .87 - 1.75				

* ANNOTATION: (AI)= ACOUSTIC INSULATION PIECES FROM KIT: A8505A (KIT ACOUSTIC INSULATION)

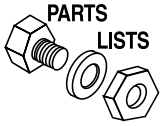
Exploded View and Parts List

GR-50 Generator Set

Muffler – Drawing No. 0A4691-E



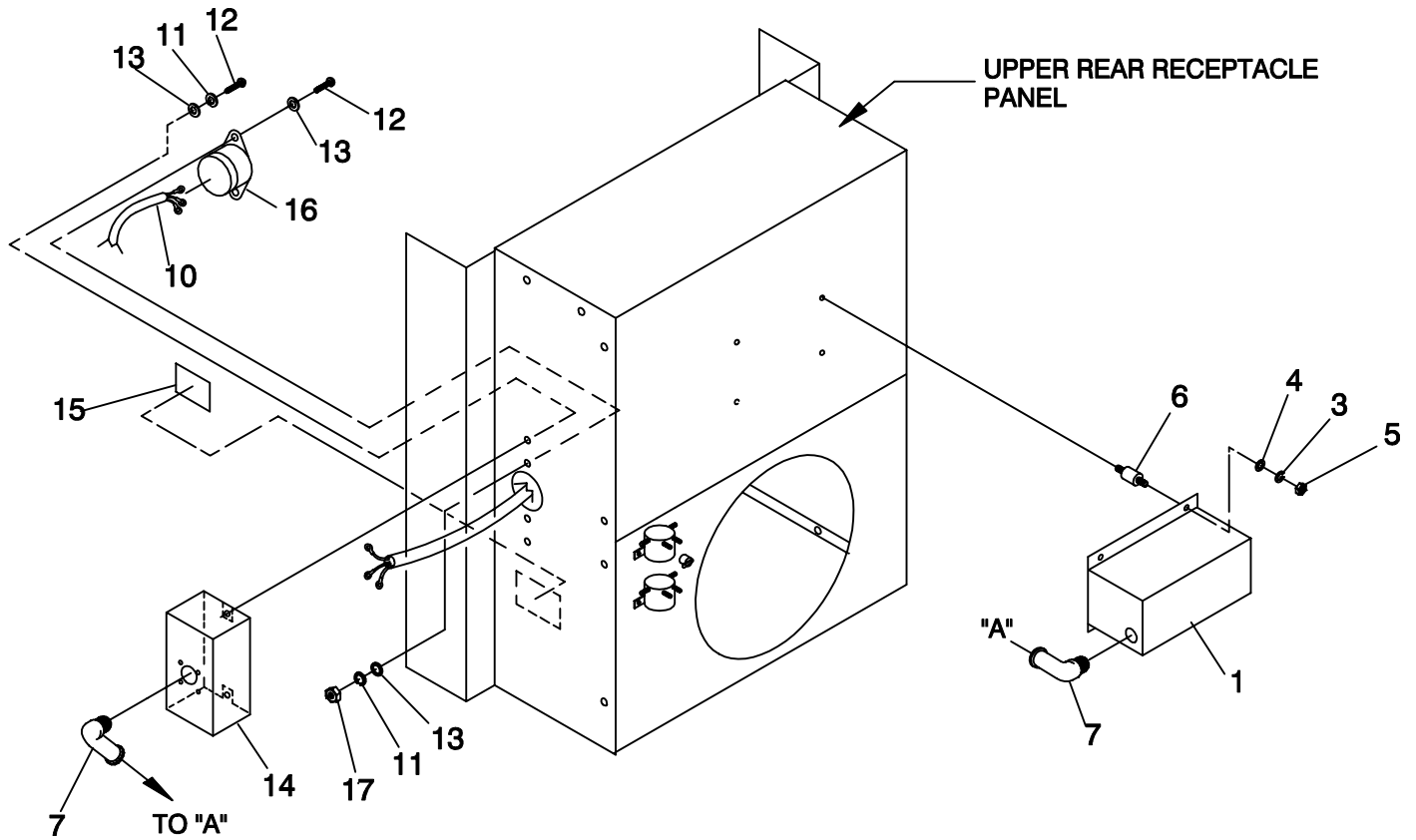
ITEM	PART NO.	QTY.	DESCRIPTION
1	0A3670	1	MUFFLER BOTH STRAIGHT
2	0A3756	1	CLAMP TEE BOLT 11-1/4 DIA
3	099805	2	BRACKET MUFFLER CL B
4	0A3546	1	BRACKET MUFFLER J DEERE
5	0A1457	1	FLEX TUBE, J.D.
6	058623	3	BOLT U 3/8-16 X 2.75
7	096694	1	CLAMP V BAND EXHAUST ELBOW
8	085916	7	SCREW HHC 3/8-16 X 1 SS
9	085917	7	WASHER LOCK 3/8 SS
10	088775	14	WASHER FLAT 3/8 SS
11	085918	3	NUT HEX 3/8-16 SS
12	096210	4	WASHER NYLON .375
13	082361	11.5'	INSULATION EXHAUST
14	039294	2	CLAMP HOSE #44 2.31 - 3.25
15	091301	1	SPARK ARRESTER
16	0A3532	1	ELBOW EXHAUST PIPE
18	059902A	1	CAP RAIN 2.50 / 2.69



Exploded View and Parts List

GR-50 Generator Set

Battery Charger — Drawing No. 091237-F



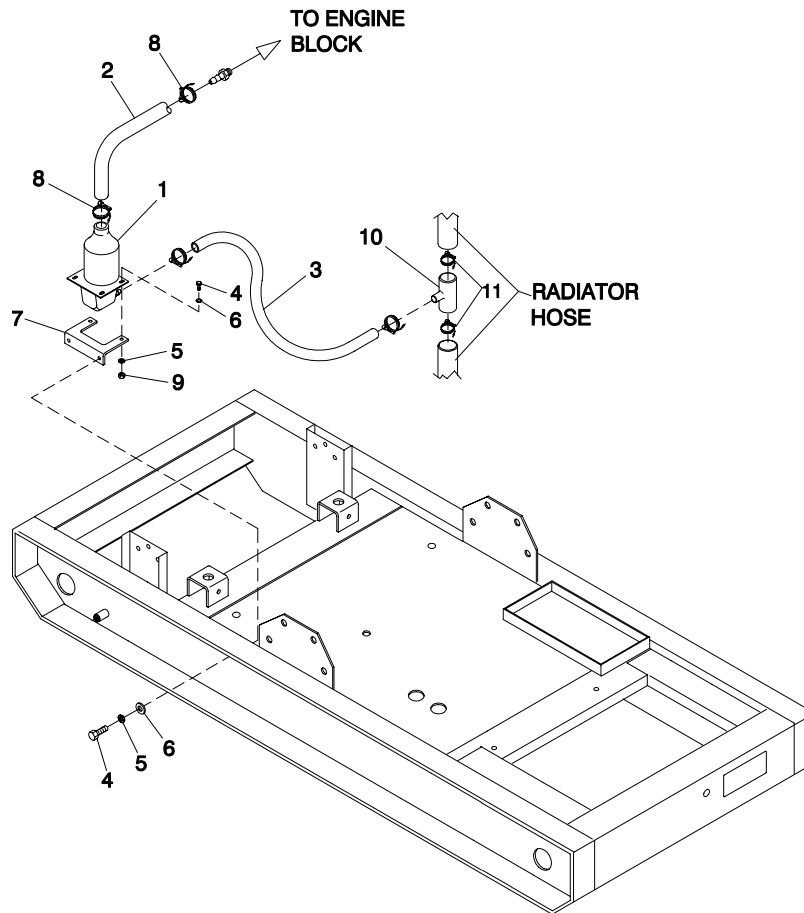
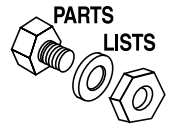
ITEM	PART NO.	QTY.	DESCRIPTION
1	079535	1	ASSEMBLY BATTERY CHARGER 10A12V
	062059	1	ASSEMBLY BATTERY CHARGER 2A/12V
3	022097	4	WASHER LOCK M6-1/4
4	022473	4	WASHER FLAT 1/4 ZINC
5	022127	4	NUT HEX 1/4-20 STEEL
6	027831	4	MOUNT VIBR .50 X 1.0 X 1/4-20
7	060015	2	FITTING 90 DEGREE 3/8
10	088670	1	ASSEMBLY WIRE-BATTERY CHARGER
11	081797	4	WASHER LOCK #6 SS
12	091198	4	SCREW PPHM #6-32 X 5/8 SS
13	081799	8	WASHER FLAT #6-M4 SS
14	062141	1	BOX, HANDY 2.125 DP
15	091233	1	DECAL UTILITY CONNECTION
16	069174	1	RECEPTACLE MALE 5278 SS
17	081798	2	NUT HEX #6-32 SSTL
**	055934C	1	CLAMP VINYL .5 X .406 Z
**	090679	1	HARNESS BATTERY CHARGER

** NOT SHOWN

Exploded View and Parts List

GR-50 Generator Set

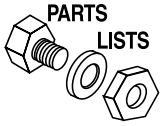
Block Heater — Drawing No. 0A4688-C



ITEM PART NO. QTY. DESCRIPTION

1	084918C	1	HEATER ENGINE 1800W 120V
2	050967	20"	HOSE 5/8 ID RIA 250F
3	050967	24"	HOSE 5/8 ID RIA 250F
4	042568	4	SCREW HHC M6-1.0 X 20 G8.8
5	022097	4	WASHER LOCK M6-1/4
6	049811	4	WASHER FLAT M6
7	084427	1	BRACKET HEATER
8	057822	4	CLAMP HOSE #8 .53-1.00
9	049813	2	NUT HEX M6 -1.0 G8 YEL CHR
10	080723	1	HOSE CONNECT. 1.75-.62
11	042561	2	CLAMP HOSE #36 1.88-2.75

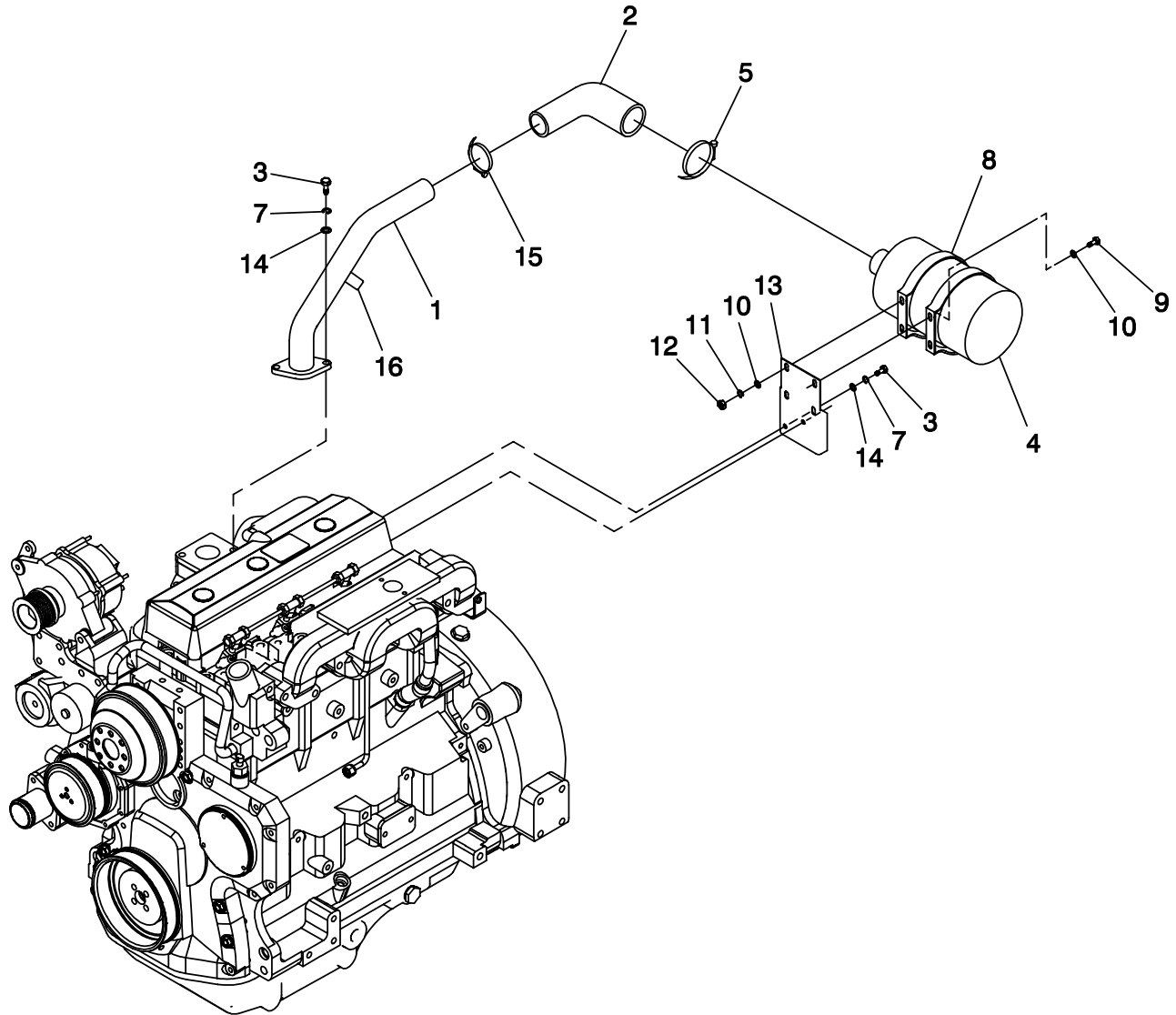
NOTE: PUT ITEM #10 IN RADIATOR HOSE.



Exploded View and Parts List

GR-50 Generator Set

Air Cleaner — Drawing No. 0A4686-F

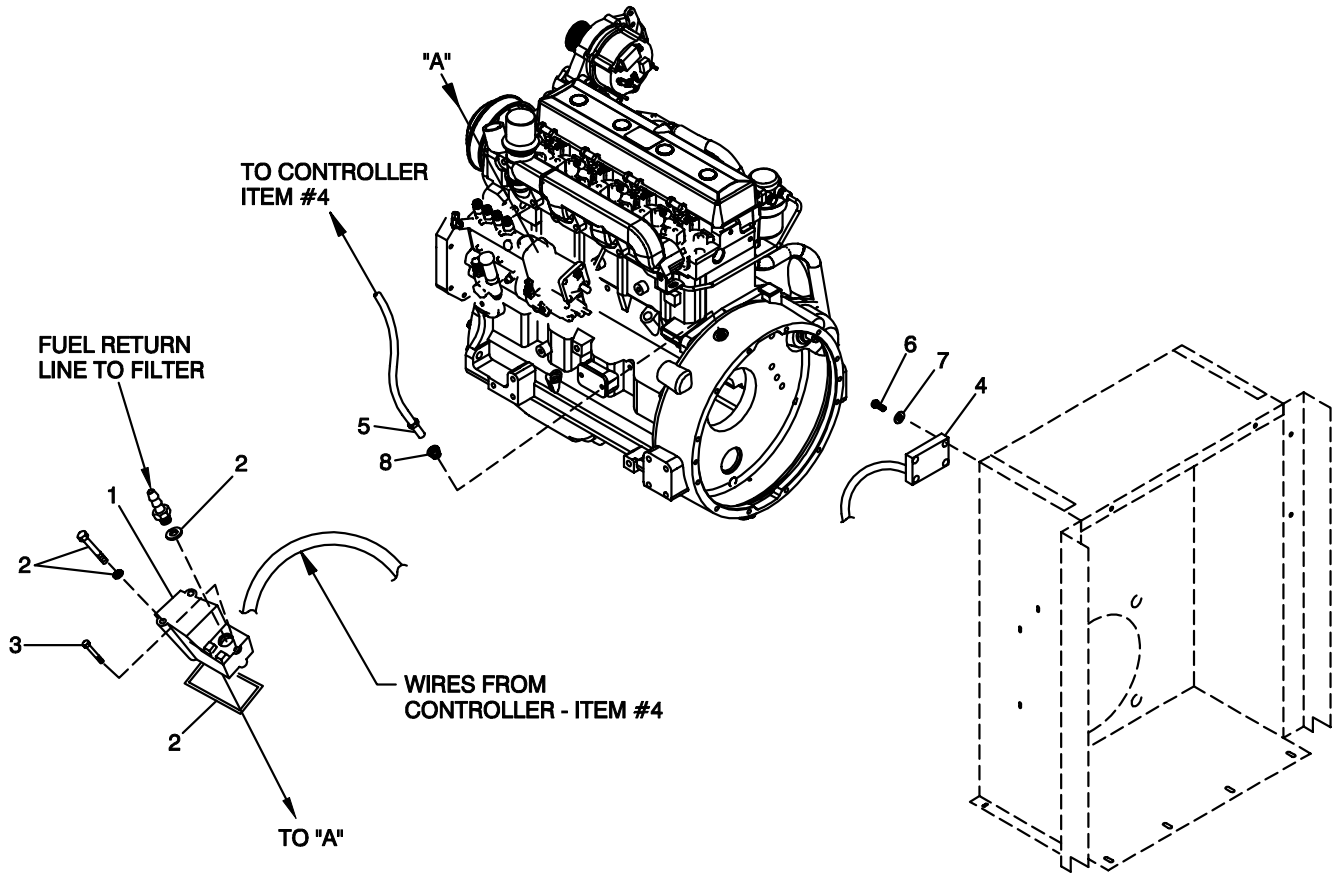
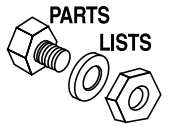


ITEM	PART NO.	QTY.	DESCRIPTION
1	0A1535	1	TUBE AIR CLEANER
2	0A1505	1	ELBOW AIR CLEANER REDUCING
3	051756	4	SCREW HHC M10-1.5 X 20 G8.8
4	065232	1	AIR CLEANER
5	066212	1	CLAMP HOSE #52 2.81 - 3.75
7	046526	4	WASHER LOCK M10
8	057183	2	BANDAIR CLEANER MOUNTING 8.00 DIA
9	022142	4	SCREW HHC 5/16-18 X 3/4 G5
10	022145	8	WASHER FLAT 5/16 ZINC
11	022129	4	WASHER LOCK M8-5/16
12	022259	4	NUT HEX 5/16-18 STEEL
13	0A3414	1	BRACKET AIR CLEANER
14	022131	4	WASHER FLAT M10-3/8 ZINC
15	042561	1	CLAMP HOSE #36 1.88 - 2.75
16	090326	1	GAUGE RESTRICTION

Exploded View and Parts List

GR-50 Generator Set

Electronic Governor — Drawing No. OD2169-A



ITEM	PART NO.	QTY.	DESCRIPTION
1	090091	1	ACTUATOR ELECTRONIC GOVERNOR
2	090166	1	KIT GASKET ELECTRONIC GOVERNOR
"	"	2	SCREW #10-24
"	"	2	LOCKWASHER EXTERNAL TOOTH
"	"	1	COVER SEAL
"	"	1	O-RING
3	"	1	SCREW #10-24
4	090093	1	ASSEMBLY CONTROLLER (GR 50, 70 & 85)
5	082130G	1	ASSEMBLY MAGNETIC PICK-UP 48"
6	033138	4	SCREW HHM #10-32 X 5/8
7	023897	4	WASHER FLAT #10 ZINC
8	0A6124	1	PLUG MACH'D 4.5L FWH



EMISSION SYSTEM WARRANTY (NON-ROAD DIESEL)

EMISSIONS CONTROL SYSTEM CERTIFICATION LABEL



WARNING: Statutes providing severe penalties for tampering with emissions controls may apply at the user's location.

The emissions warranty described below applies only to those engines marketed by John Deere that have been certified by the United States Environmental Protection Agency (EPA) and/or California Air Resources Board (CARB); and used in the United States and Canada in non-road mobile (self-propelled or portable/transportable*) equipment. The presence of an emissions label like the one shown signifies that the engine has been certified with the EPA and/or CARB. The EPA and CARB warranties only apply to new engines having the certification label affixed to the engine and sold as stated above in the geographic areas. The presence of an EU number in the third line of the label signifies that the engine has been certified with the European Union countries per Directive 97/68/EC. The emissions warranty does not apply to the EU countries.



Note: The hp/kW rating on the engine emissions certification label specifies the gross engine hp/kW, which is flywheel power without fan. In most applications this will not be the same rating as the advertised vehicle hp/kW rating.

* Equipment moved at least once every 12 months.

U.S. EPA EMISSIONS CONTROL WARRANTY STATEMENT

Emissions control-related parts and components are warranted by John Deere for five years or 3000 hours of operation, whichever occurs first. John Deere further warrants that the engine covered by this warranty was designed, built, and equipped so as to conform at the time of sale with all U.S. emissions standards at the time of manufacture, and that it is free of defects in materials and workmanship which would cause it not to meet these standards within the period of five years or 3000 hours of operation, whichever occurs first.

Warranties stated in this manual refer only to emissions-related parts and components of your engine. The complete engine warranty, less emissions-related parts and components, is provided separately as the "John Deere New Off-Highway Engine Warranty".

Part 1



CALIFORNIA EMISSION CONTROL WARRANTY STATEMENT (CALIFORNIA ONLY)

Your Warranty Rights and Obligations

The California Air Resources Board (CARB) and John Deere are pleased to explain the emission control system on your new engine. In California, new heavy-duty engines must be designed, built, and equipped to meet the State's stringent anti-smog standards. John Deere must warrant the emission control system on your engine for the periods of time listed below provided there has been no abuse, neglect, or improper maintenance of your engine.

Your emissions control system includes:

- Fuel Metering System
 - Fuel Injection System
- Air Induction System
 - Intake Manifold
 - Turbocharger System
 - Charge Air Cooling System
- Miscellaneous Items used in above systems

Where a warrantable condition exists, i.e. failure due to defect in John Deere-supplied material and/or workmanship, John Deere will repair your heavy-duty engine at no cost to you including diagnosis, parts and labor.

JOHN DEERE'S WARRANTY COVERAGE:

The emission control system of your heavy-duty engine is warranted for five years or 3000 hours of operation, whichever occurs first. If any emission-related part on your engine is defective, the part will be repaired or replaced by John Deere. Warranties stated in this manual refer only to emissions-related parts and components of your engine. The complete engine warranty, less emissions-related parts and components, is provided separately as the "John Deere New Off-Highway Engine Warranty".

Part 2



OWNER'S WARRANTY RESPONSIBILITIES:

As the heavy-duty engine owner, you are responsible for the performance of the required maintenance as outlined in this Operation and Maintenance Manual. John Deere recommends that you retain all receipts covering maintenance on your heavy-duty engine, but John Deere cannot deny warranty solely for the lack of receipts or for your failure to ensure the performance of all scheduled maintenance.

However, as the heavy-duty engine owner, you should be aware that John Deere may deny you warranty coverage if your heavy-duty engine or a part has failed due to abuse, neglect, improper maintenance or unapproved modifications.

Your engine is designed to operate on diesel fuel only. Use of any other fuel may result in your engine no longer operating in compliance with California's emissions requirements.

You are responsible for initiating the warranty process. The CARB suggests that you present your heavy-duty engine to the nearest John Deere engine service dealer as soon as a problem is suspected. The warranty repairs should be completed by the service dealer as expeditiously as possible.

If you have any questions regarding your warranty rights and responsibilities, you should contact John Deere at 1-319-292-5400 or the State of California Air Resources Board, Mobile Source Operation Division, PO Box 8001, El Monte, CA 91731-2990.

The warranty period begins on the date the engine is delivered to an ultimate purchaser, or when otherwise put into service. John Deere warrants to the ultimate purchaser and each subsequent purchaser that the engine is designed, built, and equipped so as to conform with all applicable regulations adopted by the Air Resources Board, and that it is free from defects in materials and workmanship which would cause the failure of a warranted part.

Any warranted part which is scheduled for replacement as required maintenance by this Operation and Maintenance Manual is warranted by John Deere for the period of time prior to the first scheduled replacement point for that part. If the part fails prior to the first scheduled replacement point, the part shall be repaired or replaced under the warranty. Any such part repaired or replaced under warranty is warranted for the remainder of the period prior to the first scheduled replacement point for the part.

Any warranted part which is not scheduled for replacement as required maintenance, or which is scheduled only for regular inspection to the effect of repairing or replacing as necessary, is warranted for the warranty period.

Repair or replacement of a warranted part will be performed at no charge to you by a John Deere engine service dealer. You will not be charged for diagnostic labor which leads to the determination that a warranted part is defective, if the diagnostic work is performed by a John Deere engine service dealer.

John Deere is liable for damages to other engine components caused by the failure under warranty of any warranted part.

Any replacement part may be used in the performance of any maintenance or repairs, and such use will not reduce the warranty obligations of John Deere. However, the use of add-on or modified parts are grounds for disallowing a warranty claim.

Part 3



Warranty

GR-50 Generator Set

GENERAC POWER SYSTEMS' STANDARD ONE-YEAR LIMITED WARRANTY FOR STANDBY POWER SYSTEMS

NOTE: ALL UNITS MUST BE INSTALLED BY GENERAC POWER SYSTEMS AUTHORIZED SERVICE FACILITIES.

For a period of 1 (one) year or 1,500 (one thousand five hundred) hours of operation from the date of original sale, whichever occurs first, Generac Power Systems, Inc. (Generac) will, at its option, repair or replace any part which, upon examination, inspection and testing by Generac or a Generac Authorized Warranty Service Facility, is found to be defective under normal use and service, in accordance with the warranty schedule set forth below. Any equipment that the purchaser/owner claims to be defective must be examined by the nearest Generac Authorized Warranty Service Facility. All transportation costs under the warranty, including return to the factory, are to be borne and prepaid by the purchaser/owner. This warranty applies only to Generac generators used in "Standby" applications, as Generac has defined Standby, provided said generators have been initially installed and inspected on-site by a Generac Authorized Service Dealer or branch thereof.

WARRANTY SCHEDULE

YEAR ONE - 100% (one hundred percent) coverage on mileage*, labor and parts listed:

- **Engine** - All components
- **Alternator** - All components
- **Transfer System** - All components

***Travel allowance is limited to 300 miles or 7.5 hours maximum, round trip, and applies only to permanently wired and mounted units.**

All warranty expense allowances **are** subject to the conditions defined in Generac's *Warranty Policies, Procedures and Flat Rate Manual*.

Units that have been resold **are not** covered under the Generac warranty, as this warranty is not transferable.

THIS WARRANTY SHALL NOT APPLY TO THE FOLLOWING:

- Costs of normal maintenance, adjustments, installation and start-up.
- Units sold, rated or used for "Prime Power" applications as Generac has defined Prime Power. Contact a Generac Authorized Service Dealer for Prime Power definition and warranty.
- Failures due, but not limited, to normal wear and tear, accident, misuse, abuse, negligence or improper installation.
- Failures caused by any external cause or act of God, such as collision, theft, vandalism, riot or wars, nuclear holocaust, fire, freezing, lightning, earthquake, windstorm, hail, volcanic eruption, water or flood, tornado or hurricane.
- Products that are modified or altered in a manner not authorized by Generac in writing.
- Any incidental, consequential or indirect damages caused by defects in materials or workmanship, or any delay in repair or replacement of the defective part(s).
- Failure due to misapplication.
- Telephone, telegraph, teletype or other communication expenses.
- Living or travel expenses of person(s) performing service, except as specifically included within the terms of a specific unit warranty period.
- Rental equipment used while warranty repairs are being performed.
- Overnight freight costs for replacement part(s).
- Overtime labor.
- Starting batteries, fuses, light bulbs and engine fluids.

THIS WARRANTY IS IN PLACE OF ALL OTHER WARRANTIES, EXPRESSED OR IMPLIED. SPECIFICALLY, GENERAC MAKES NO OTHER WARRANTIES AS TO THE MERCHANTABILITY OR FITNESS FOR A PARTICULAR PURPOSE. Some states do not allow limitations on how long an implied warranty lasts, so the above limitation may not apply to you.

GENERAC'S ONLY LIABILITY SHALL BE THE REPAIR OR REPLACEMENT OF PART(S) AS STATED ABOVE. IN NO EVENT SHALL GENERAC BE LIABLE FOR ANY INCIDENTAL OR CONSEQUENTIAL DAMAGES, EVEN IF SUCH DAMAGES ARE A DIRECT RESULT OF GENERAC'S NEGLIGENCE. Some states do not allow the exclusion or limitation of incidental or consequential damages, so the above limitation may not apply to you. Purchaser/owner agrees to make no claims against Generac based on negligence.

This warranty gives you specific legal rights. You also may have other rights that vary from state to state.