

GENERAC®

POWER SYSTEMS, INC.

PRODUCT INFORMATION BULLETIN

DATE: April 1999

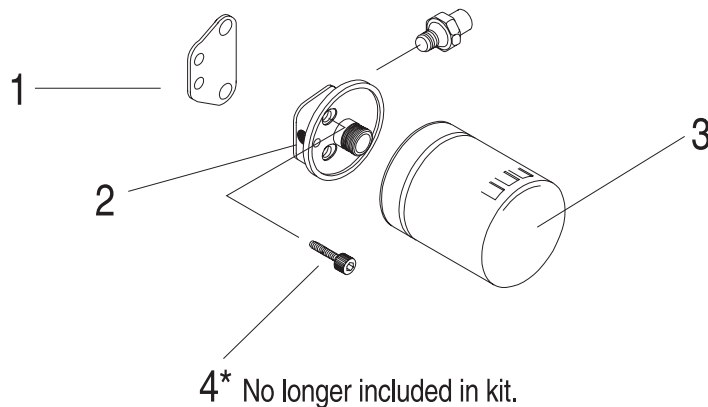
SUBJECT: Oil Filter Adapter Kit Part #96226

MODELS AFFECTED: GN 191/220 Engines

PROBLEM: Incorrect screws in kit

CORRECTIVE ACTION: Remove and discard screws from the kit (Item #4*). **Use original screws from the old block off plate to attach oil filter kit adapter.** This will be standard procedure as the screws will no longer be included in the kit.

Kit 96226 Contains:	Item	Part No.	Description	Qty.
	1	91848	Gasket, Oil Pad	1
	2	84982	Adapter, Oil Filter	1
	3	70185	Filter, Oil	1
	4*			2



Please remove the screws from all oil filter adapter kits you have in stock before they are sold.

NOTE: This PIB is informational in nature, and is not a warranty item.

GENERAC®

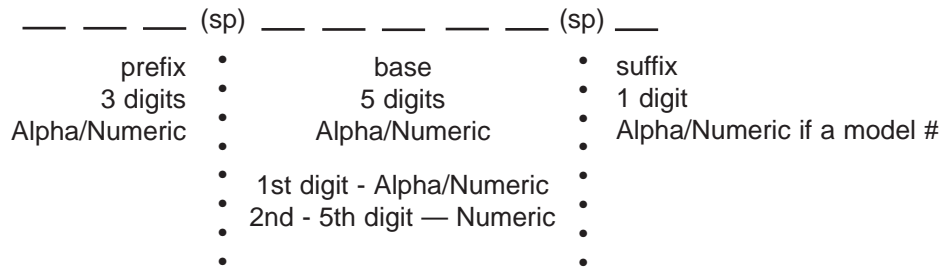
POWER SYSTEMS, INC.

PARTS UPDATE BULLETIN

DATE: July 1999

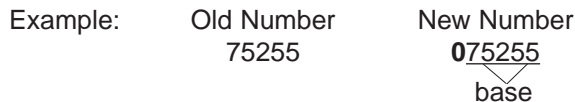
As we enter into the new millennium, GENERAC Power Systems, Inc. is implementing some changes to our software system that will affect customer orders.

Our upcoming system incorporates a new part number structure. Our existing system is set up as follows:

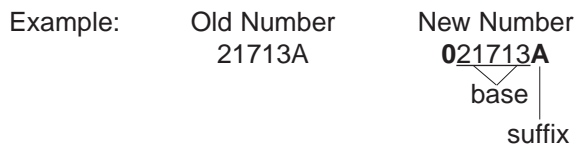


The new system is one field of 6 to 10 digits with no spaces or dashes. To convert old numbers apply the following steps:

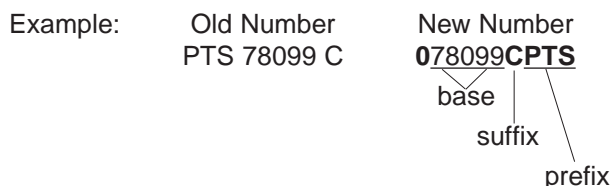
Base only Part Number: Add a zero (0) as the first digit of the number.



Base Number with Suffix: Add a zero (0) as the first digit of the number.



Prefix, Base, Suffix: Number that includes all fields in existing system. Add a zero (0) as the first digit of the number and move prefix to the back end.



GENERAC[®]

POWER SYSTEMS, INC.

WARRANTY INFORMATION BULLETIN

DATE: September 1999

SUBJECT: Warranty on Portable Units With GN Engines

PROBLEM: Who warrants what?

CORRECTIVE ACTION: Generac Power Systems, Inc. warrants only the GN engine (O.E.M. of the GN engine).

Generac Portable Products L.L.C. warrants all non-engine related components.

Generac Power Systems, Inc.

Warranty Department
GN Air Cooled Engine/Whitewater Manufacturing Facility
757 N. Newcomb Road
Whitewater, WI 53190
(262) 473-5514

ITEMS COVERED: GN Engine

Generac Portable Products L.L.C.

Warranty Department
P.O. Box 418
Sullivan, WI 53178
(262) 674-3750

ITEMS COVERED:

- Cradles**
- Portable Generator Rotor & Stator Windings**
- Generator Control Panel**
- Pressure Washer Pump**
- Fuel Tank**
- Muffler**

NOTE: All items covered are not listed.

GENERAC[®]

POWER SYSTEMS, INC.

PRODUCT INFORMATION BULLETIN

DATE: May 1999

SUBJECT: Compression Release Problem

MODELS AFFECTED: GN190 & GN220 Engines

PROBLEM: Compression release inoperative

SYMPTOMS: Difficulty pull starting, possibly causing damage to recoil starter.

CORRECTIVE ACTION: A change to the compression relief system for the small frame engines significantly reduces the pulling effort required to start the GN engines. Field complaints related to compression release and broken recoils should be significantly reduced by installing the new camshaft.

The new service camshaft assemblies are completely interchangeable with the old camshaft assemblies. **The new camshaft part number is A9878.**

NOTE: Not all engines have this problem. Replace the camshaft on engines that exhibit the above stated symptoms only (after checking valve lash).

WARRANTY: 2.0 hours will be allowed for this procedure and adjustment.

Reference PIB99-2-P,M on warranty claim form and send to:
Generac Power Systems, Inc.
757 N. Newcomb Rd.
Whitewater, WI 53190

GENERAC[®]

POWER SYSTEMS, INC.

PRODUCT INFORMATION BULLETIN

DATE: September 1999

SUBJECT: Valve Retainer

MODELS AFFECTED: GN191 & GN220 Engines

PROBLEM: Broken valve spring retainer.

SYMPTOMS: No compression.

CORRECTIVE ACTION: The old Part Number (86293) was a sintered metal and the new replacement is a steel valve retainer (Part Number A1720).

The new service valve retainers are completely interchangeable with the old valve retainers.

NOTE: Not all engines have this problem. Replace the valve retainers on engines that exhibit the above stated symptoms only (after checking valve retainer).

WARRANTY: .5 hours will be allowed for this procedure and adjustment.

Reference PIB99-3-P,M on warranty claim form and send to:
Generac Power Systems, Inc.
757 N. Newcomb Rd.
Whitewater, WI 53190

GENERAC[®]

POWER SYSTEMS, INC.

PRODUCT INFORMATION BULLETIN

DATE: November 1999

SUBJECT: NP-50 Dieseling at shutdown

MODELS AFFECTED: 916-0,916-1

PROBLEM: If you notice or receive a customer complaint of the generator not shutting down properly, the unit may be experiencing run on or dieseling. If inspection reveals the unit is dieseling, order Carburetor Kit # SV2 91188B. The kit will include a carburetor with fuel shutoff solenoid, wiring, and instruction sheet.

WARRANTY: .5 hour will be allowed for installation of this part.

Reference PIB99-4-M on warranty claim form and send to:
Generac Power Systems, Inc.
757 N. Newcomb Rd.
Whitewater, WI 53190