

Service Parts

Engine

Engine Model:

Ford LSG-875

Generator Models:

50-100 kW Gas

Introduction

This parts manual provides the user with information for the proper service parts for repairing the generator set engine.

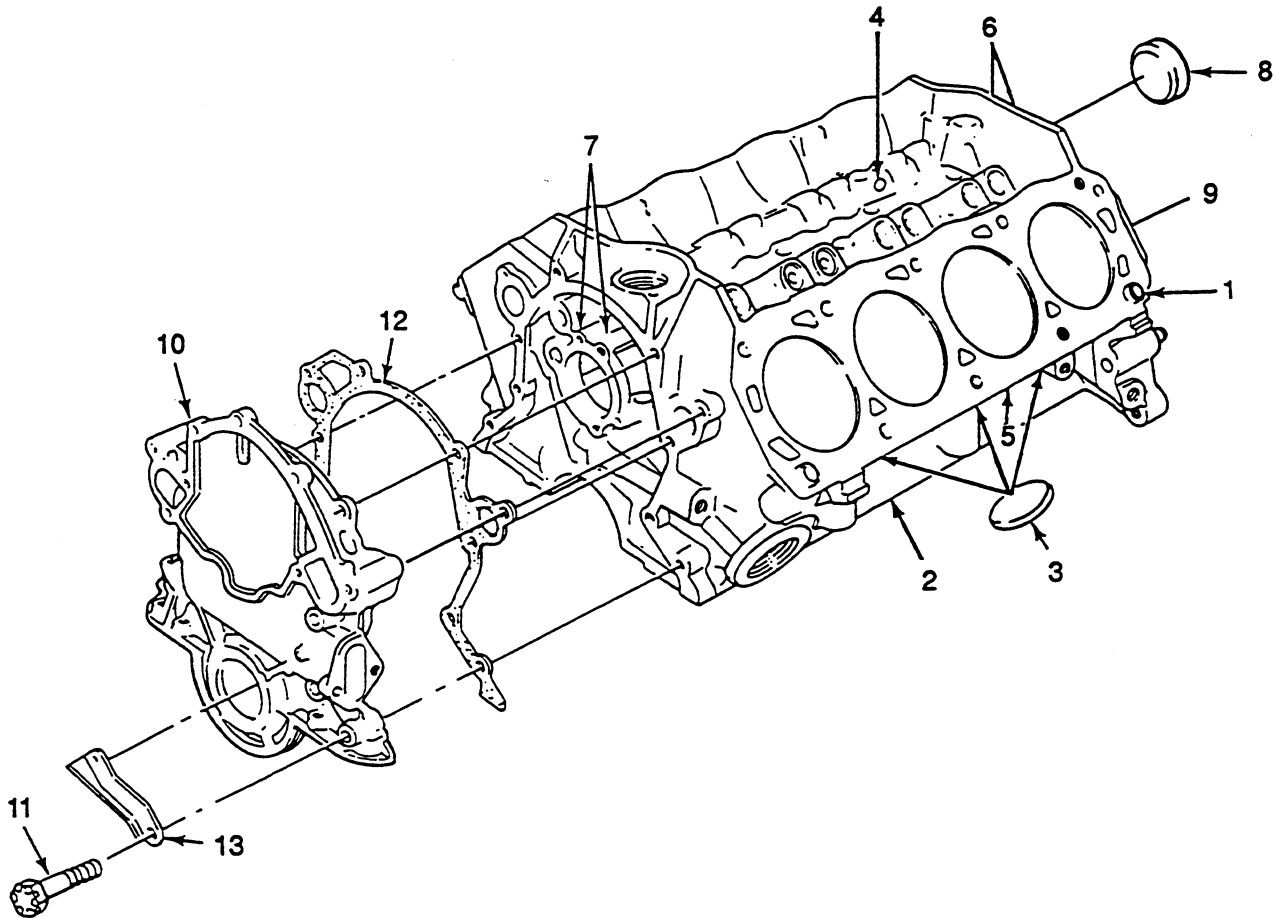
NOTE: The recommendations and suggestions contained in this publication are made to assist the distributor in improving their distributorship parts and/or service department operations. These recommendations and suggestions do not supersede or override the provisions of the Warranty and Policy Manual and in any cases where there may be a conflict, the provisions of the Warranty and Policy Manual shall govern.

This manual has been reprinted with permission of the Ford Motor Company Industrial Engine Operations Plant and Service Division of the Ford Motor Company.

The information in this manual was in effect at the time the book was released for printing. The engine manufacturer reserves the right to discontinue models at any time or change specifications of design without notice and without incurring obligation.



LSG-875I, LSG-875P AND LSG-875R
460 CID GASOLINE
INDUSTRIAL ENGINE, POWER UNIT AND IRRIGATION ENGINE



CYLINDER BLOCK AND RELATED PARTS — TYPICAL

IE-199A

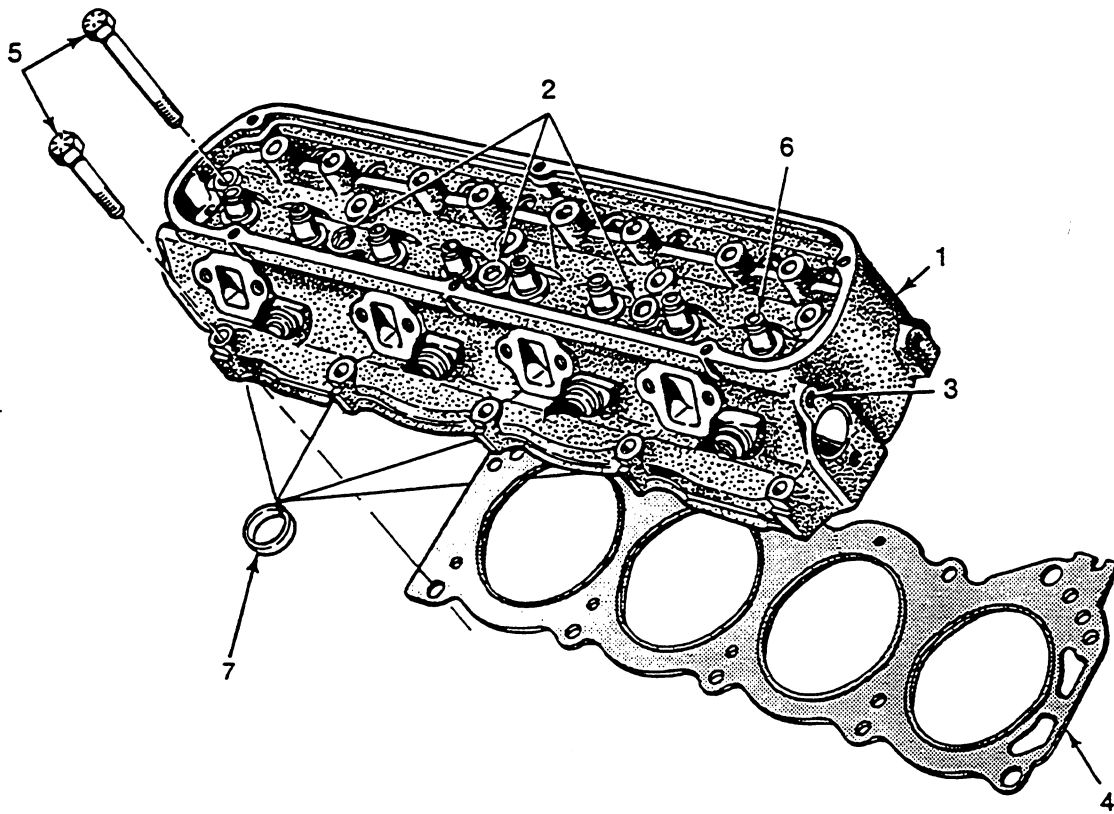
**LSG-875I, LSG-875P AND LSG-875R
460 CID GASOLINE
INDUSTRIAL ENGINE, POWER UNIT AND IRRIGATION ENGINE**



REF NO.	YEAR	PART NUMBER	DESCRIPTION	QUANTITY	
				IND	IRR
CYLINDER BLOCK AND RELATED PARTS					
DOWEL - CYLINDER HEAD TO BLOCK					
1	76/	B9AE-6A008-A	Dowel	4	4
BLOCK ASSEMBLY - CYLINDER					
2	79/88 89/	D9TZ-6010-A E9TZ-6010-E	Block	1	1
			Block	1	1
PLUG AND DOWEL - ENGINE					
3	76/	D7AZ-6026-A	Plug - 1.50 Cup	6	6
	76/	C8AZ-6026-D	Plug - .060 O/S	AR	AR
4	76/	87837-S100	Plug - Oil Passage In Block - 1/4 NPT	2	2
5	76/	87844-S	Plug - Water Drain - 1/4 NPT - Brass	2	2
6	76/	87838-S2	Plug - 3/8-18 NPT	AR	AR
7	76/	C8SZ-6026-A	Plug - 5/8-18	2	2
8	76/	C8SZ-6266-A	Plug - Camshaft Rear Bearing - Standard	1	1
	76/	C8SZ-6266-B	Plug - Camshaft Rear Bearing - .060 O/S	AR	AR
9	76/	EAD-6397-B	Dowel - Flywheel Housing To Block	2	2
COVER ASSEMBLY - CYLINDER FRONT					
10	76/88 89/	E5TZ-6019-K E8TZ-6019-C	Cover		1
	85/88	D1JE-6019-AA	Cover	1	1
	89/	E9JE-6019-AA	Cover	1	
11	76/		Screw - Pointer To Front Cover - No.10-24 x .31 - Not Serviced		1
	76/		Bolt - 5/16-18 x 2.37 - Not Serviced	1	1
	76/		Bolt - 5/16-18 x 1.69 - Not Serviced	5	5
	76/		Bolt - 5/16-18 x 4.00 - Not Serviced	6	6
	76/	376255-S	Bolt - 5/16-18 x .875	1	1
	76/	56526-S36	Bolt - 5/16-18 x 2.00	2	2
GASKET - CYLINDER FRONT COVER					
12	76/	F1HZ-6020-C	Gasket	1	1
POINTER - ENGINE TIMING					
13	76/	E7TZ-6023-B	Pointer		1
	85/	D1JE-6023-AA	Pointer	1	



LSG-875I, LSG-875P AND LSG-875R
460 CID GASOLINE
INDUSTRIAL ENGINE, POWER UNIT AND IRRIGATION ENGINE



CYLINDER HEAD AND RELATED PARTS — TYPICAL

IE-326

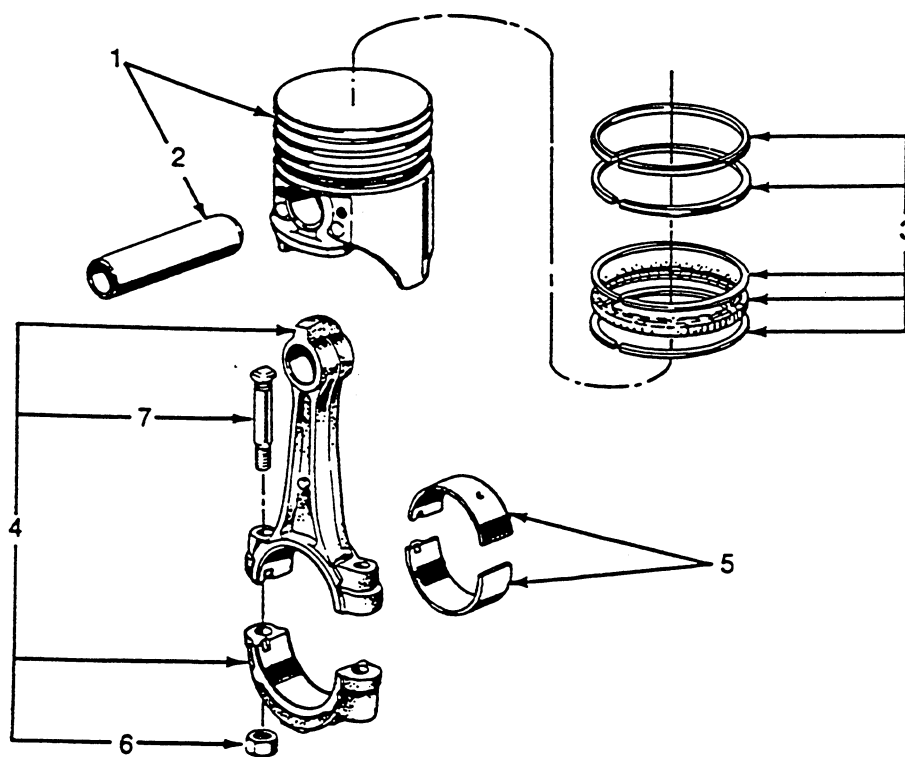
**LSG-875I, LSG-875P AND LSG-875R
460 CID GASOLINE
INDUSTRIAL ENGINE, POWER UNIT AND IRRIGATION ENGINE**



REF NO.	YEAR	PART NUMBER	DESCRIPTION	QUANTITY	
				IND	IRR
CYLINDER HEAD AND RELATED PARTS					
HEAD ASSEMBLY - CYLINDER					
1	76/85 85/	D5JE-6049-B2B F1JE-6049-CA	Head - Without Valves - Not Serviced	2	2
			Head - Without Valves	2	2
PLUGS - CYLINDER HEAD					
2	76/	F2ZZ-6026-A	Plug - 3/4 NPT - Core Holes	6	6
3	76/	DOZZ-6026-B	Plug - 43/64 Cup - Thermactor Holes	4	4
GASKET - CYLINDER HEAD					
4	76/	FOHZ-6051-A	Gasket	1	1
BOLT - CYLINDER HEAD					
5	76/ 76/	C8SZ-6065-B E7TZ-6065-B	Bolt - 9/16-12 x 4.375	10	10
			Bolt - 9/16-12 x 5.125	10	10
BUSHING - VALVE GUIDE					
6	76/	D6AZ-6510-B	Bushing - Valve Guide	AR	AR
SEAT INSERT - EXHAUST VALVE					
7	76/	D5JE-6057-A1A	Insert	8	8



LSG-875I, LSG-875P AND LSG-875R
460 CID GASOLINE
INDUSTRIAL ENGINE, POWER UNIT AND IRRIGATION ENGINE



PISTON, CONNECTING ROD AND RELATED PARTS — TYPICAL

IE-327

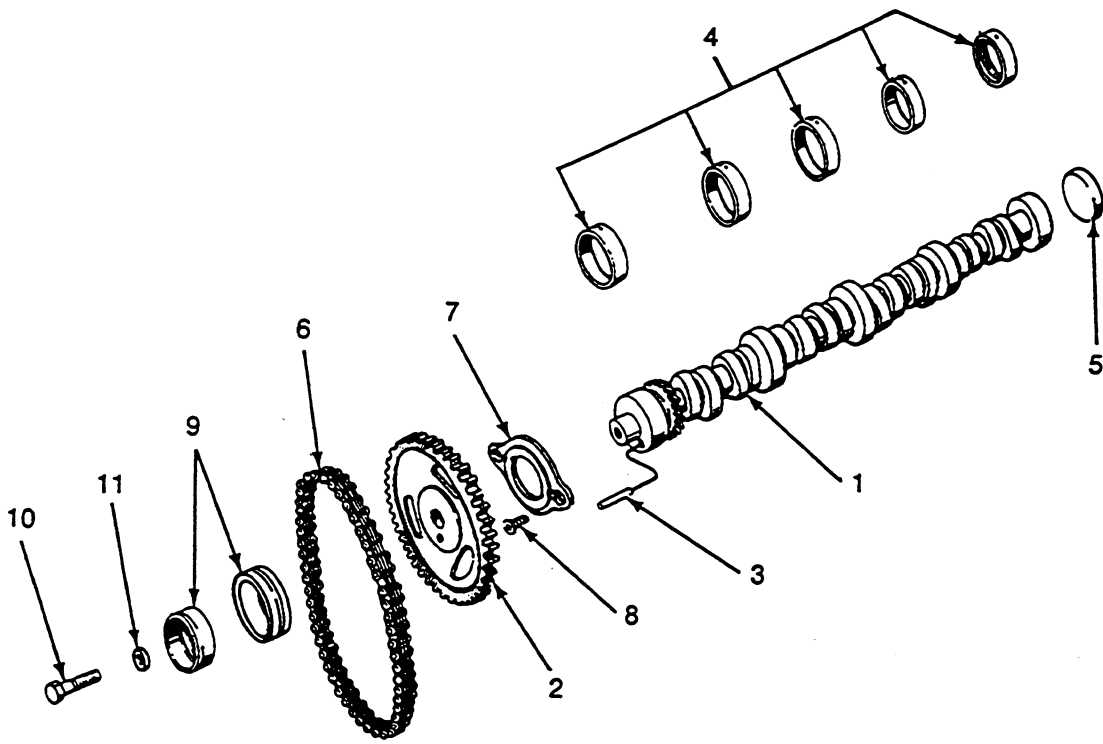
**LSG-875I, LSG-875P AND LSG-875R
460 CID GASOLINE
INDUSTRIAL ENGINE, POWER UNIT AND IRRIGATION ENGINE**



REF NO.	YEAR	PART NUMBER	DESCRIPTION	QUANTITY	
				IND	IRR
			PISTON, CONNECTING ROD AND RELATED PARTS		
			PISTON ASSEMBLY - WITH PIN		
1	83/93	D3JE-6108-BA	Standard - High Compression		8
	76/93	D3VY-6108-AB	Standard	8	8
	76/93	D3VY-6108-DB	.020 O/S	AR	AR
	76/93	D3VY-6108-EB	.030 O/S	AR	AR
	76/93	D3VY-6108-FB	.040 O/S	AR	AR
	93/	F3TZ-6108-G	Standard	8	8
	93/	F3TZ-6108-H	.020 O/S	AR	AR
	93/	F3TZ-6108-J	.030 O/S	AR	AR
	93/	F3TZ-6108-K	.040 O/S	AR	AR
				PIN - PISTON	
2	76/	F2TZ-6135-A	Pin	8	8
			RING SET - PISTON		
			CONSISTS OF THE NECESSARY RINGS TO RE-RING (2) PISTONS		
3	76/93	C8SZ-6148-A	Standard	4	4
	76/93	C8SZ-6148-B	.020 O/S	AR	AR
	76/93	C8SZ-6148-C	.030 O/S	AR	AR
	76/93	C8SZ-6148-D	.040 O/S	AR	AR
	93/	F3TZ-6148-G	Standard	4	4
	93/	F3TZ-6148-H	.020 O/S	AR	AR
	93/	F3TZ-6148-J	.030 O/S	AR	AR
	93/	F3TZ-6148-K	.040 O/S	AR	AR
			CONNECTING ROD ASSEMBLY		
4	76/	F2TZ-6200-A	Rod	8	8
			BEARING - CONNECTING ROD		
5	76/	D9HZ-6211-A	Standard - Red	16	16
	76/	D9HZ-6211-B	Standard - Blue	AR	AR
	76/	D9HZ-6211-C	.002 U/S	AR	AR
	76/	D9HZ-6211-D	.010 U/S	AR	AR
	76/	D9HZ-6211-E	.020 U/S	AR	AR
	76/	D9HZ-6211-F	.030 U/S	AR	AR
	76/	D9HZ-6211-G	.040 U/S	AR	AR
			NUT - CONNECTING ROD		
6	76/	C9AZ-6212-B	Nut - 3/8-24	16	16
			BOLT - CONNECTING ROD		
7	76/	E6TZ-6214-A	Bolt - 3/8-24 x 2.19	16	16



LSG-875I, LSG-875P AND LSG-875R
460 CID GASOLINE
INDUSTRIAL ENGINE, POWER UNIT AND IRRIGATION ENGINE



CAMSHAFT, SPROCKET AND RELATED PARTS — TYPICAL

IE-328

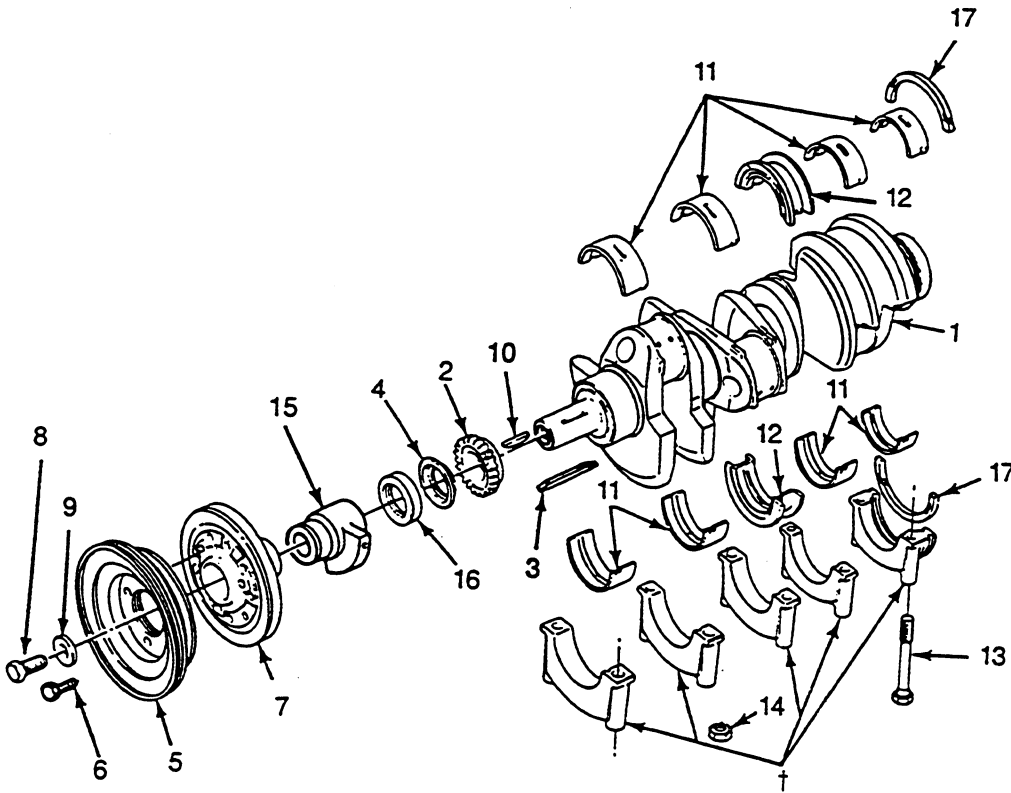
**LSG-875I, LSG-875P AND LSG-875R
460 CID GASOLINE
INDUSTRIAL ENGINE, POWER UNIT AND IRRIGATION ENGINE**



REF NO.	YEAR	PART NUMBER	DESCRIPTION	QUANTITY	
				IND	IRR
CAMSHAFT, SPROCKET AND RELATED PARTS					
CAMSHAFT					
1	76/	F1TZ-6250-B	Camshaft	1	1
SPROCKET - CAMSHAFT					
2	76/85	DOAZ-6256-A	Sprocket - 36 Tooth		1
	86/	D9HZ-6256-A	Sprocket - 44 Tooth - Double Roller	1	1
3	76/	73328-S	Pin - Dowel - 5/16 x 1.125	1	1
BEARING - CAMSHAFT					
4	76/	D9HZ-6261-A	Standard	5	5
	76/	D9HZ-6261-B	.015 U/S	AR	AR
PLUG - CAMSHAFT REAR BEARING					
5	76/	C8SZ-6266-A	Plug - Camshaft Rear Bearing - Standard	1	1
	76/	C8SZ-6266-B	Plug - Camshaft Rear Bearing - .060 O/S	AR	AR
CHAIN - TIMING					
6	76/85	C8SZ-6268-A	Chain - 52 Links		1
	86/	D4TZ-6268-A	Chain - 66 Links - Double Roller	1	1
PLATE - CAMSHAFT THRUST					
7	76/	C8SZ-6269-A	Plate	1	1
8	76/	42910-S	Bolt - 1/4-20 x .50	2	2
ECCENTRIC - CAMSHAFT - FUEL PUMP DRIVE					
9	76/	D1AZ-6287-A	Inner	1	1
	76/	DOAZ-6287-A	Outer	1	1
BOLT - ECCENTRIC AND SPROCKET TO CAMSHAFT					
10	76/	43001-S2	Bolt - 3/8-16 x 1.38	1	1
WASHER - CAMSHAFT SPROCKET					
11	76/	F3SZ-6268-A	Washer - Camshaft Sprocket - .406 ID x 1.20 OD x .224 Thick	1	1



**LSG-875I, LSG-875P AND LSG-875R
460 CID GASOLINE
INDUSTRIAL ENGINE, POWER UNIT AND IRRIGATION ENGINE**



† SERVICED IN BLOCK ASSEMBLY

CRANKSHAFT, FLYWHEEL AND RELATED PARTS — TYPICAL

IE-329C

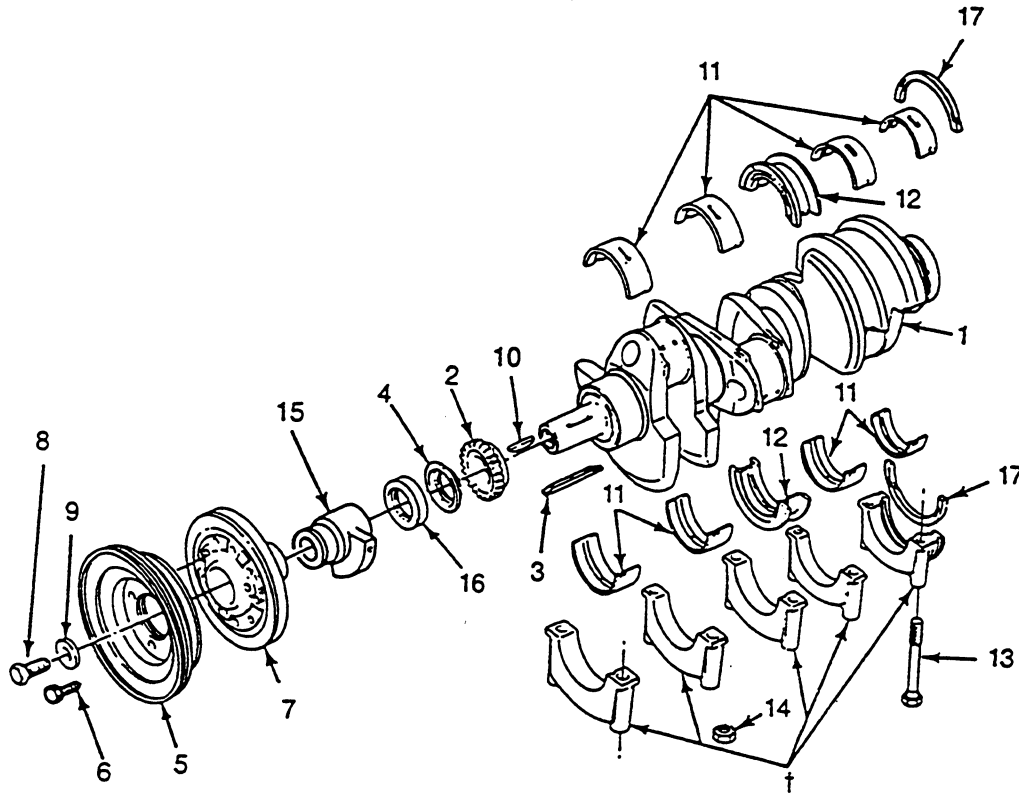
**LSG-875I, LSG-875P AND LSG-875R
460 CID GASOLINE
INDUSTRIAL ENGINE, POWER UNIT AND IRRIGATION ENGINE**



REF NO.	YEAR	PART NUMBER	DESCRIPTION	QUANTITY	
				IND	IRR
CRANKSHAFT AND RELATED PARTS					
CRANKSHAFT ASSEMBLY					
ON 78 AND PRIOR ENGINES IT IS NECESSARY TO USE SPACER D9TZ-6359-A AND FLYWHEEL E5TZ-6375-J					
1	76/	E3JE-6303-CA	Crankshaft	1	1
SPROCKET - CRANKSHAFT					
2	76/85	C8SZ-6306-A	Sprocket - 18 Tooth		1
3	86/	E7TZ-6306-B	Sprocket - Double Roller - 22 Tooth	1	1
3	76/	390398-S	Key - 3/16 x 1.75	1	1
SLINGER - CRANKSHAFT OIL					
4	76/91	C8SZ-6310-A	Slinger	1	1
PULLEY - CRANKSHAFT					
5	76/	DOAZ-6A312-A	2 - Sheave - Identification D0AE-A		1
6	85/	E2JL-6A312-AA	Pulley - 2 Sheave	1	
6	76/	42998-S8	Bolt - 3/8-16 x 1.00 Self-Locking		4
6	85/	43002-S2	Bolt - 3/8-16 x 1.5 - Self Locking	4	
DAMPER ASSEMBLY - CRANKSHAFT					
7	76/78	D4VZ-6316-A	Damper		1
8	79/	D9TZ-6316-C	Damper	1	1
8	76/	F2TZ-6A340-A	Bolt - 5/8-18 x 1.75 - Damper To Crankshaft	1	1
9	76/	B8A-6378-A	Washer - Damper To Crankshaft	1	1
10	76/	74151-S	Key - 1/4 x .875	1	1
BEARING - CRANKSHAFT MAIN - UPPER/LOWER					
11	76/	D7AZ-6333-AA	Standard - Lower	4	4
	76/	D7AZ-6333-AB	.001 U/S - Lower	AR	AR
	76/	D7AZ-6333-AC	.002 U/S - Lower	AR	AR
	76/	D7AZ-6333-AD	.010 U/S - Lower	AR	AR
	76/	D7AZ-6333-AE	.020 U/S - Lower	AR	AR
	76/	D7AZ-6333-AF	.030 U/S - Lower	AR	AR
	76/	D7AZ-6333-N	Standard - Upper	4	4
	76/	D7AZ-6333-P	.001 U/S - Upper	AR	AR
	76/	D7AZ-6333-R	.002 U/S - Upper	AR	AR
	76/	D7AZ-6333-S	.010 U/S - Upper	AR	AR
	76/	D7AZ-6333-T	.020 U/S - Upper	AR	AR
	76/	D7AZ-6333-U	.030 U/S - Upper	AR	AR
BEARING - CRANKSHAFT MAIN - THRUST-UPPER/LOWER					
12	76/	D7AZ-6337-N	Center - Standard - Lower	1	1
	76/	D7AZ-6337-P	Center - .001 U/S - Lower	AR	AR
	76/	D7AZ-6337-R	Center - .002 U/S - Lower	AR	AR
	76/	D7AZ-6337-S	Center - .010 U/S - Lower	AR	AR
	76/	D7AZ-6337-T	Center - .020 U/S - Lower	AR	AR
	76/	D7AZ-6337-U	Center - .030 U/S - Lower	AR	AR
	76/	D7AZ-6337-G	Center - Standard - Upper	1	1
	76/	D7AZ-6337-H	Center - .001 U/S - Upper	AR	AR
	76/	D7AZ-6337-J	Center - .002 U/S - Upper	AR	AR
	76/	D7AZ-6337-K	Center - .010 U/S - Upper	AR	AR
	76/	D7AZ-6337-L	Center - .020 U/S - Upper	AR	AR
	76/	D7AZ-6337-M	Center - .030 U/S - Upper	AR	AR



**LSG-875I, LSG-875P AND LSG-875R
460 CID GASOLINE
INDUSTRIAL ENGINE, POWER UNIT AND IRRIGATION ENGINE**



† SERVICED IN BLOCK ASSEMBLY

CRANKSHAFT, FLYWHEEL AND RELATED PARTS — TYPICAL

1E-329C

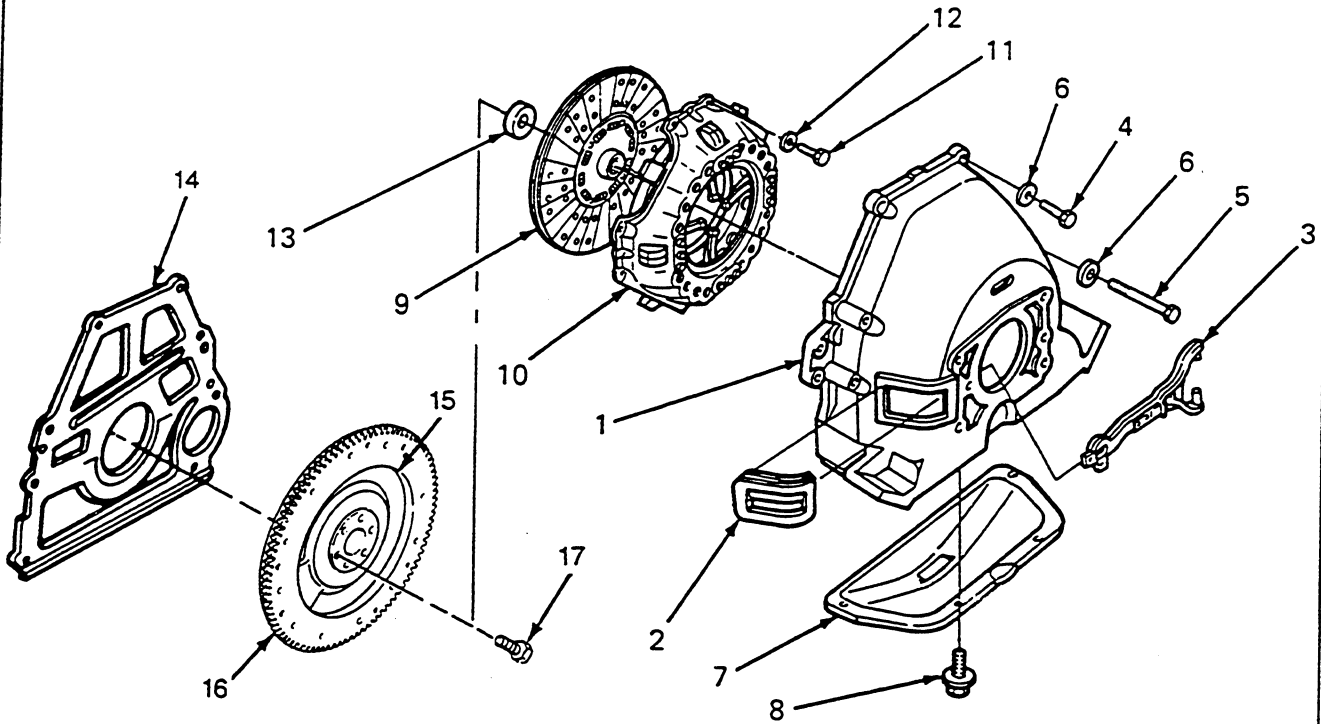
**LSG-875I, LSG-875P AND LSG-875R
460 CID GASOLINE
INDUSTRIAL ENGINE, POWER UNIT AND IRRIGATION ENGINE**



REF NO.	YEAR	PART NUMBER	DESCRIPTION	QUANTITY	
				IND	IRR
			CRANKSHAFT AND RELATED PARTS (Cont'd)		
			BOLT OR STUD - CRANKSHAFT MAIN BEARING CAP		
13	76/	D5AZ-6345-A	Bolt - 1/2-13 x 3.95	9	9
	76/	D9HZ-6345-A	Stud - 3/8-16 - 1/2-13 x 4.375	1	1
14	76/	382802-S191	Nut - 3/8-16	1	1
			SPACER - CRANKSHAFT DAMPER		
15	76/78	DOOZ-6359-A	Spacer	1	1
	79/	D9TZ-6359-A	Spacer	1	1
			SEAL - CYLINDER FRONT COVER OIL		
16	76/85	E5TZ-6700-C	Rear Entry	1	1
	76/	E6DZ-6700-A	Front Entry	1	1
			SEAL - CRANKSHAFT REAR OIL		
17	76/	E6TZ-6701-A	Seal	2	2



LSG-875I, LSG-875P AND LSG-875R
460 CID GASOLINE
INDUSTRIAL ENGINE, POWER UNIT AND IRRIGATION ENGINE



CLUTCH HOUSING, CLUTCH AND RELATED PARTS — TYPICAL

IE-322B

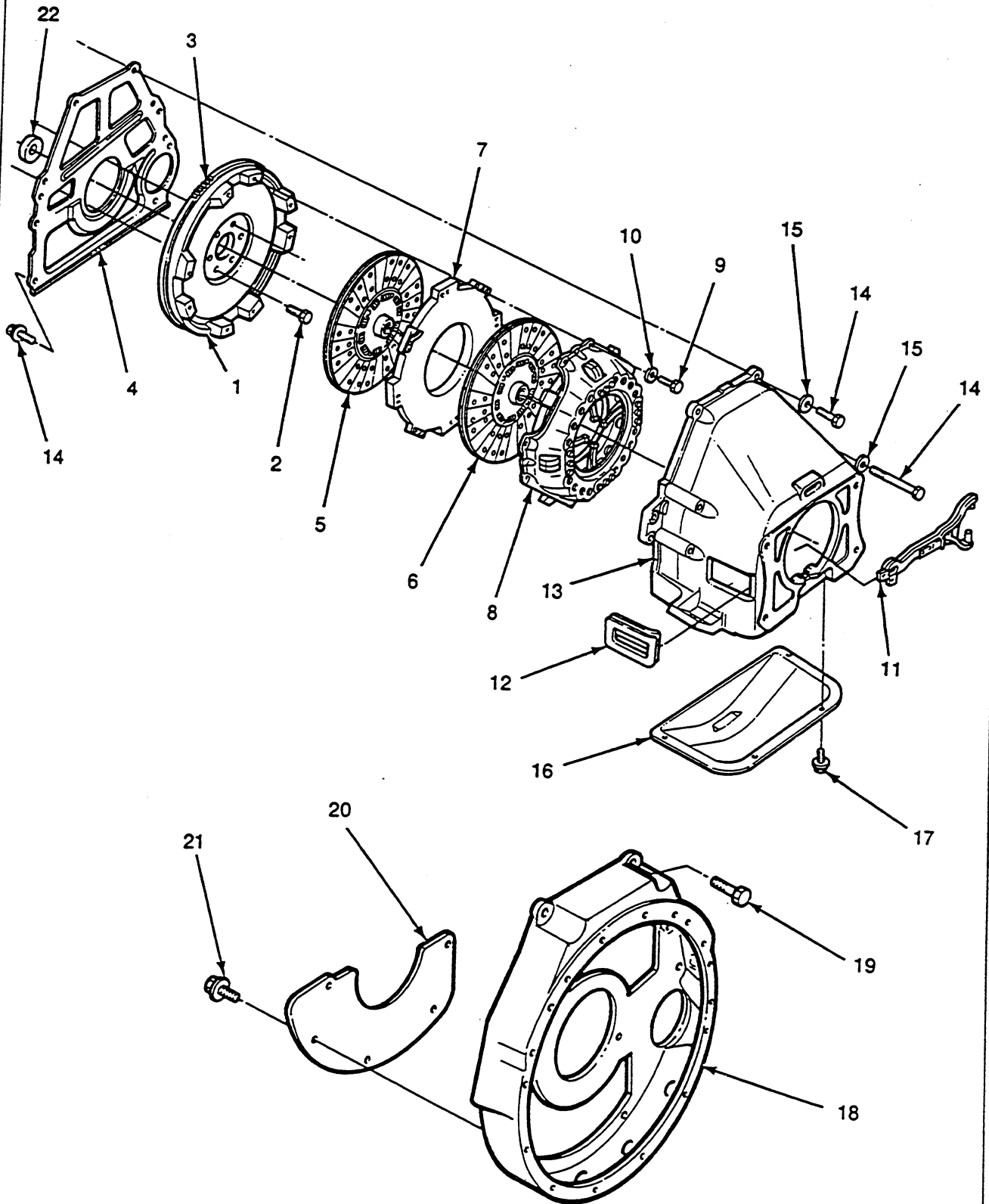
**LSG-875I, LSG-875P AND LSG-875R
460 CID GASOLINE
INDUSTRIAL ENGINE, POWER UNIT AND IRRIGATION ENGINE**



REF NO.	YEAR	PART NUMBER	DESCRIPTION	QUANTITY	
				IND	IRR
CLUTCH HOUSING, SINGLE DISC CLUTCH AND RELATED PARTS					
HOUSING - CLUTCH					
1	76/81	D8JL-7500-A	Housing - Not Serviced		1
	81/	E4HZ-7505-B	Housing	1	1
2	76/81	C4TZ-7513-C	Dust Shield - Clutch Release Lever		1
	81/	D9HZ-7513-A	Dust Shield - Clutch Release Lever	1	1
3	76/81	B8C-7515-A	Lever - Clutch Release		1
	81/	D9HZ-7515-A	Lever - Clutch Release	1	1
4	76/81		Bolt - 7/16-14 x 1.25 - Not Serviced		2
	81/	58655-S2	Bolt - 7/16-14 x 1.50	2	2
5	76/81		Bolt - 7/16-14 x 3.25 - Not Serviced		4
	81/	58663-S100	Bolt - 7/16-14 x 3.50	4	4
6	81/	44878-S2	Washer - 7/16 Flat	6	6
7	81/	D9HZ-7564-A	Cover - Clutch Dust	1	1
8	81/	57631-S2	Screw And Lock Washer - 5/16-18 x .50 - Cover To Housing	4	4
DISC - CLUTCH - 13 INCH - 1 3/8 SPLINE					
9	76/	E4HZ-7550-R	Disc	1	1
PRESSURE PLATE - CLUTCH					
10	76/	D9HT-7563-EA	Plate	1	1
11	76/	388097-S2	Bolt - 3/8-16 x 1.06 - Pressure Plate To Flywheel	8	8
12	76/	44877-S2	Washer - 3/8 Flat - Hardened	8	8
BEARING - PILOT					
13	76/81	C5TZ-7600-B	Bearing - Pilot - Ball - 1.85 OD x .98 ID x .47 Wide		1
	81/	F2HZ-7600-A	Bearing - Pilot - Ball - 1.85 OD x .98 ID x .71 Wide (Overall)	1	1
PLATE - REAR ENGINE					
14	81/	D9HZ-7007-A	Plate	1	1
FLYWHEEL ASSEMBLY					
15	76/78	D4JL-6375-H	Flywheel - Not Serviced		1
	79/	E5TZ-6375-J	Flywheel	1	1
16	76/78	C9AZ-6384-A	Ring Gear - 176 Teeth		1
	79/	D7TZ-6384-A	Ring Gear - 180 Teeth	1	1
17	76/	378769-S100	Bolt - 7/16-20 x 1.045 - Locking - E5TZ-J Or D9HZ-A Flywheel	6	6



LSG-875I, LSG-875P AND LSG-875R
460 CID GASOLINE
INDUSTRIAL ENGINE, POWER UNIT AND IRRIGATION ENGINE



FLYWHEEL HOUSING, FLYWHEEL, CLUTCH AND RELATED PARTS — TYPICAL

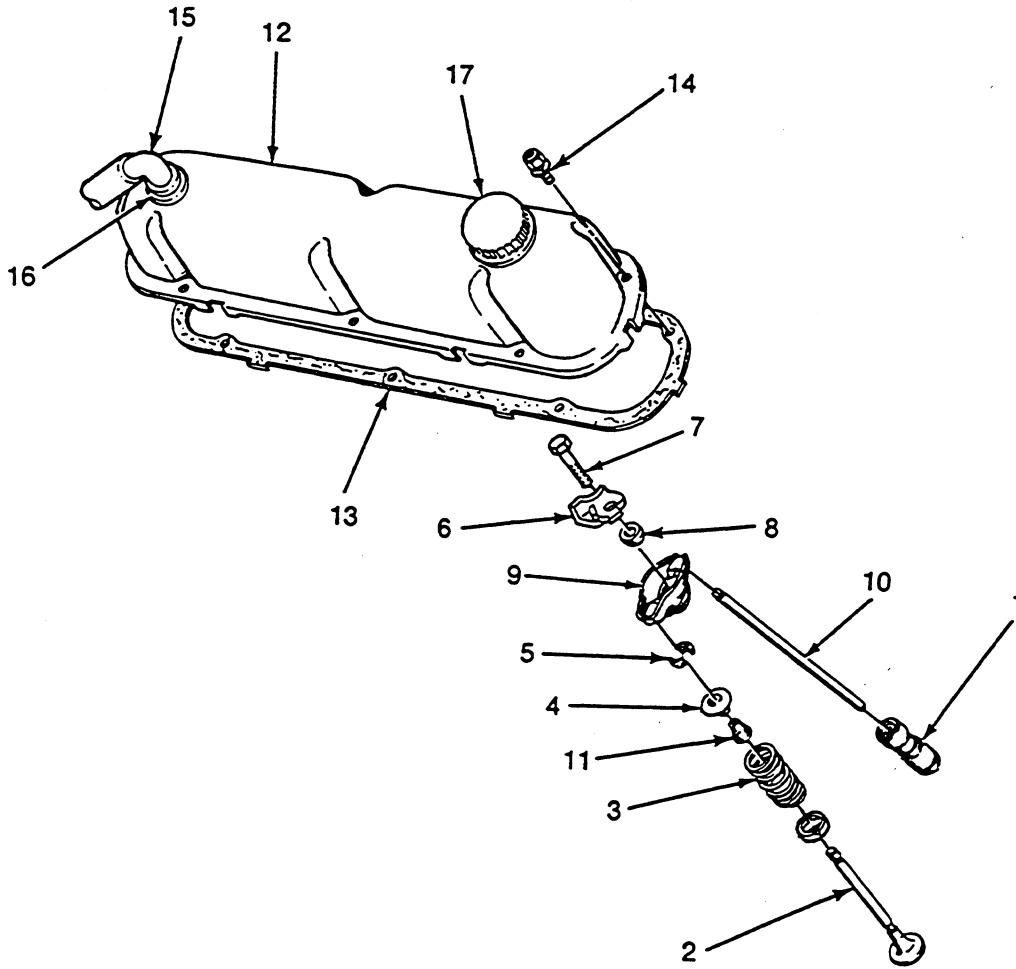
**LSG-875I, LSG-875P AND LSG-875R
460 CID GASOLINE
INDUSTRIAL ENGINE, POWER UNIT AND IRRIGATION ENGINE**



REF NO.	YEAR	PART NUMBER	DESCRIPTION	QUANTITY	
				IND	IRR
FLYWHEEL HOUSING, FLYWHEEL, CLUTCH AND RELATED PARTS					
FLYWHEEL					
1	85/	D9HZ-6375-A	Flywheel - 13 Inch Double Disc Clutch	1	
	85/	D9JL-6375-D	Flywheel - Industrial For 11 1/2 Inch O.C. Clutch	1	
2	85/	378769-S100	Bolt - 7/16-20 x 1.045 - Locking - E5TZ-J Or D9HZ-A Flywheel	6	
	85/	43077-S2	Bolt - 7/16-20 x 2.50 - Locking - D9JL-D Flywheel	6	
3	85/	D7TZ-6384-A	Ring Gear - 180 Teeth	1	
PLATE - REAR ENGINE					
4	85/	D9HZ-7007-A	Plate	1	
DISC AND PLATE - CLUTCH					
5	85/	E4HZ-7550-N	* Disc - 13 Inch Double - Front	1	
6	85/	E4HZ-7A596-P	* Disc - 13 Inch Double - Rear	1	
7	85/	E4HZ-7563-C	* Plate - Center Drive - 13 Inch Double Disc Clutch	1	
8	85/	E4HZ-7563-B	* Plate - Pressure - 13 Inch Double Disc Clutch	1	
9	85/	388097-S2	Bolt - 3/8-16 x 1.06 - Pressure Plate To Flywheel	8	
10	85/	44877-S2	Washer - 3/8 Flat - Hardened	8	
LEVER - CLUTCH RELEASE					
11	85/	D9HZ-7515-B	* Lever - 13 Inch Double Disc Clutch	1	
12	85/	D9HZ-7513-B	* Dust Shield - Release Lever - 13 Inch Double Disc Clutch	1	
HOUSING - CLUTCH					
13	85/	D9HZ-7505-D	* Housing - 13 Inch Double Disc Clutch	1	
14	85/	56538-S2	● Bolt - 3/8-16 x .75	2	
	85/	58655-S2	● Bolt - 7/16-14 x 1.50	2	
	85/	58663-S100	● Bolt - 7/16-14 x 3.50	4	
	85/	58668-S2	● Bolt - 7/16-14 x 5.00	4	
15	85/	44878-S2	● Washer - 7/16 Flat	6	
COVER - CLUTCH HOUSING - LOWER					
16	85/	D9HZ-7564-B	● Cover - Double Disc Clutch Housing	1	
17	85/	57631-S2	● Screw And Lock Washer - 5/16-18 x .50 - Cover To Housing	4	
HOUSING - FLYWHEEL					
18	85/	D9JL-6394-R	Housing - SAE 2 With Feet	1	
	85/	D9JL-6394-U	Housing - SAE 3 With Feet	1	
19	85/	56561-S2	Bolt - 7/16-14 x 1.25 - SAE Housing To Engine	6	
PLATE - FLYWHEEL HOUSING LOWER					
20	85/	D9HZ-7986-A	Plate	1	
21	85/	57620-S2	Bolt - 1/4-20 x .50 - Attach Plate To Flywheel Housing	5	
BEARING - PILOT					
22	85/	F2HZ-7600-E	Bearing - 2.04 OD x .9835 ID x .59 Wide	1	
			* Use With Spicer Transmission		
			● Attach Clutch Housing To Engine And Rear Engine Plate To Housing		



**LSG-875I, LSG-875P AND LSG-875R
460 CID GASOLINE
INDUSTRIAL ENGINE, POWER UNIT AND IRRIGATION ENGINE**



VALVES, PUSH RODS, ROCKER ARM COVERS AND RELATED PARTS — TYPICAL

IE-330

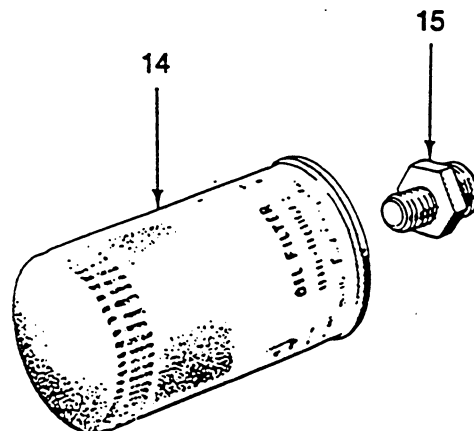
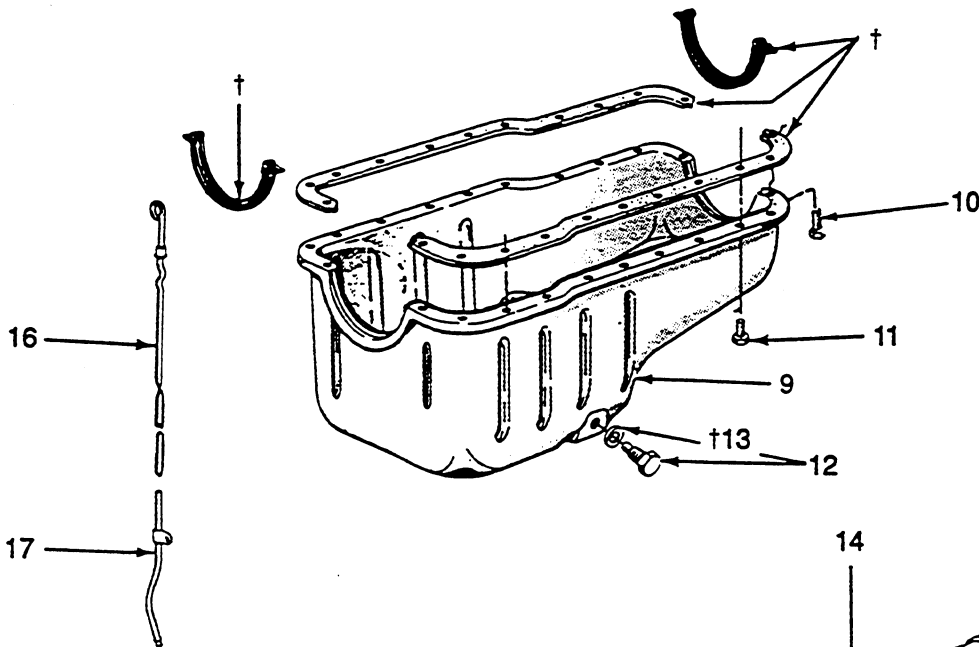
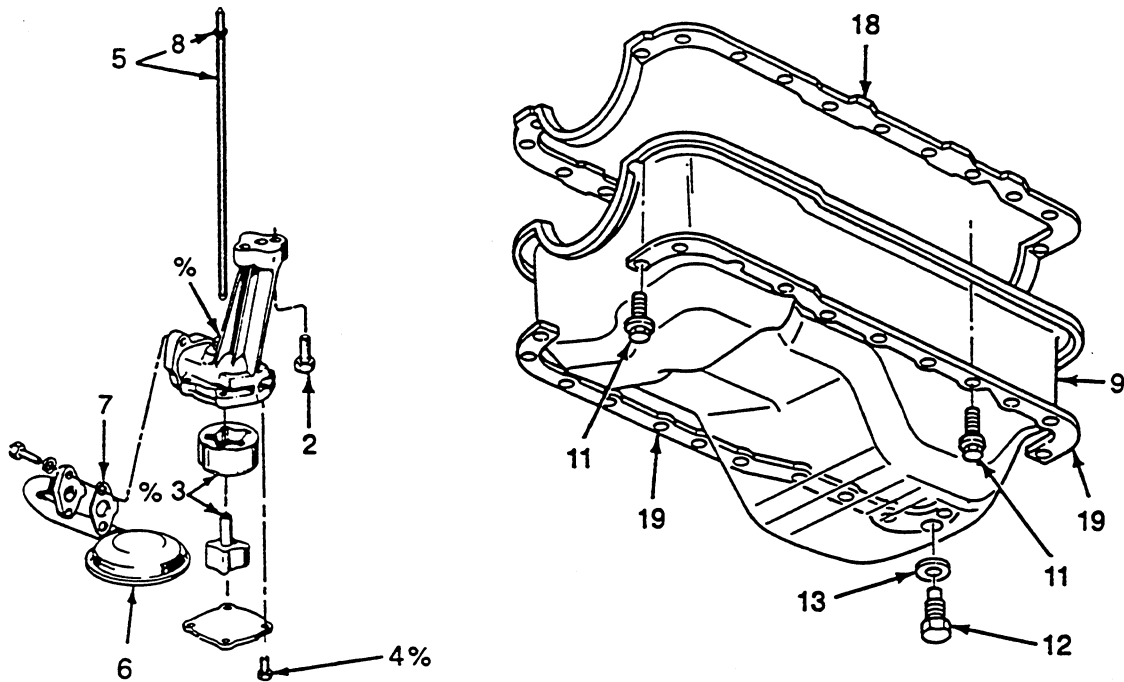
**LSG-875I, LSG-875P AND LSG-875R
460 CID GASOLINE
INDUSTRIAL ENGINE, POWER UNIT AND IRRIGATION ENGINE**



REF NO.	YEAR	PART NUMBER	DESCRIPTION	QUANTITY	
				IND	IRR
			VALVES, PUSH RODS, ROCKER ARM COVERS AND RELATED PARTS		
			TAPPET ASSEMBLY		
1	76/	F1DZ-6500-A	Tappet	16	16
			VALVE - EXHAUST AND INTAKE		
2	76/	D5JE-6505-AA	Exhaust - Standard	8	8
	76/	D7AZ-6507-E	Intake - Standard	8	8
	76/	D7AZ-6507-F	Intake - .015 OS	AR	AR
	76/	D7AZ-6507-G	Intake - .030 OS	AR	AR
			SPRING - VALVE		
3	76/	E9TZ-6513-A	Spring	16	16
			RETAINER - VALVE SPRING		
4	76/	F1TZ-6514-B	Retainer	16	16
			KEY - VALVE SPRING RETAINER		
5	76/	7HA-6518-A	Key	32	32
			BAFFLE - VALVE ROCKER ARM OIL		
6	76/92	D1AZ-6524-A	Baffle - Not Required With F1TZ-A Rocker Arm	16	16
			BOLT - VALVE ROCKER ARM SUPPORT		
7	76/	D3AZ-6A527-A	Bolt - 5/16-18 x 1.375	16	16
			SEAT - VALVE ROCKER ARM FULCRUM		
8	76/	F1TZ-6A528-A	Seat	16	16
			ARM - VALVE ROCKER		
9	76/	F1TZ-6564-A	Arm	16	16
			ROD - VALVE PUSH		
10	76/	C9VZ-6565-C	Rod - 8.61 Long	16	16
			SEAL - VALVE STEM		
11	76/85	D6OZ-6571-A	Seal		16
	85/91	E6TZ-6571-B	Seal - Exhaust	8	8
	85/91	E6TZ-6571-E	Seal - Intake	8	8
	92/	E8AZ-6571-A	Seal - Intake	8	8
	92/	F2TZ-6571-A	Seal - Exhaust	8	8
			COVER - VALVE ROCKER ARM		
12	76/	EOJE-6582-BA	Cover	2	2
13	76/	E3TZ-6584-E	Gasket - Rocker Arm Cover	2	2
14	76/	388221-S100	Screw And Washer - 1/4-20 x .62	14	14
			VALVE - POSITIVE CRANKCASE VENTILATION		
15	76/	D9OZ-6A666-A	Valve	1	1
	76/	D8TE-6B890-B1A	Valve And Elbow	1	1
16	76/	C8AZ-6A892-D	Retainer	1	1
			CAP - BREATHER		
17	76/	D2AE-6766-MA	Cap - Open System		1
	85/	E8TZ-6766-A	Cap - Closed System	1	



LSG-875I, LSG-875P AND LSG-875R
460 CID GASOLINE
INDUSTRIAL ENGINE, POWER UNIT AND IRRIGATION ENGINE



SUPPLIED IN 18 — GASKET SET
ALSO SUPPLIED IN 1 — OIL PUMP ASSEMBLY

OIL PUMP, OIL PAN, OIL FILTER AND RELATED PARTS — TYPICAL

IE-332C

**LSG-875I, LSG-875P AND LSG-875R
460 CID GASOLINE
INDUSTRIAL ENGINE, POWER UNIT AND IRRIGATION ENGINE**

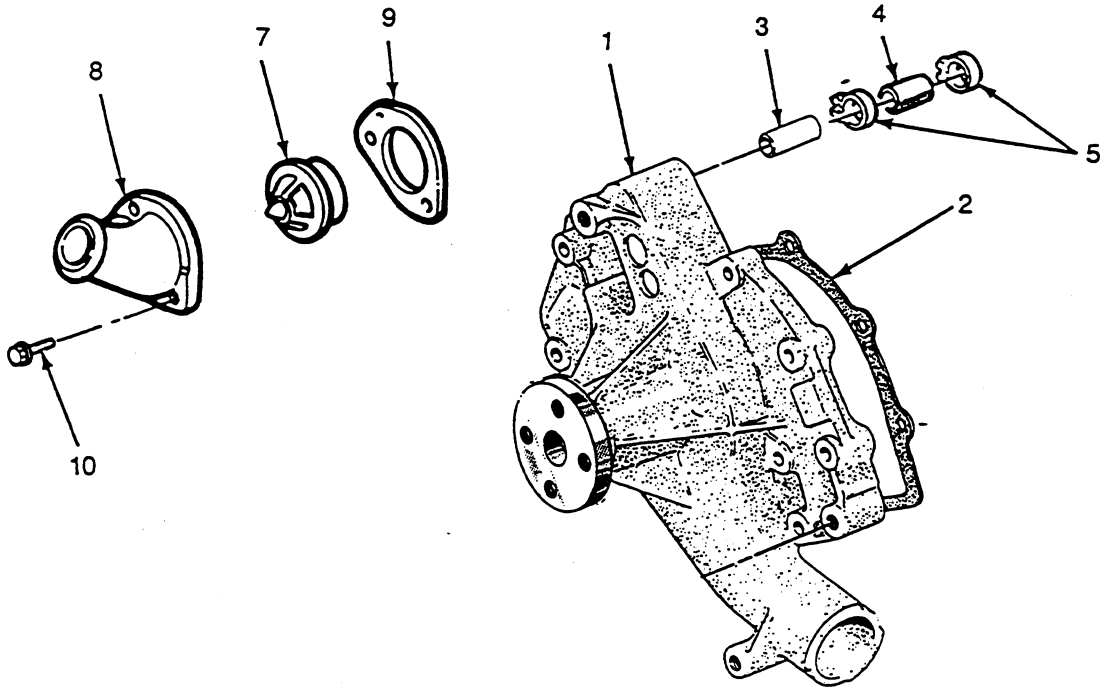


REF NO.	YEAR	PART NUMBER	DESCRIPTION	QUANTITY	
				IND	IRR
OIL PUMP, OIL PAN, OIL FILTER AND RELATED PARTS					
PUMP ASSEMBLY - OIL					
1	76/	F2TZ-6600-A	Pump	1	1
2	76/	42999-S	Screw And Washer - 3/8-16 x 1.125	2	2
3	76/	C8SE-6608-A	Rotor And Shaft - Not Serviced	1	1
4	76/	42911-S	Bolt - 1/4-20 x .625	4	4
5	76/	F3TZ-6A618-A	Shaft - Oil Pump Intermediate	1	1
6	85/ 76/85	E4HZ-6622-A E4UZ-6622-A	Screen And Tube - Rear Sump Oil Pan	1	1
7	76/	D5UZ-6626-A	Screen And Tube - Center Sump Oil Pan	1	1
8	76/	C4TZ-6629-A	Gasket	1	1
			Ring - Oil Pump Intermediate Shaft Retainer	1	1
PAN ASSEMBLY - OIL					
9	76/85 85/88 89/	E7UZ-6675-A E7HZ-6675-B F2JE-6675-BA	Pan - Center Sump		1
			Pan - Rear Sump	1	1
10	76/88	57633-S2	Pan - Rear Sump	1	1
11	76/88	387549-S8M	Screw - 5/16-18 x .75	4	4
	89/	390699-S2	Screw - 1/4-20 x .625	19	19
12	76/85	D6TZ-6730-A	Screw - 1/4-20 x .86	23	23
	86/	F3DZ-6730-A	Plug - Oil Drain	1	1
13	76/85 86/	C2OZ-6734-A E0FZ-6734-A	Plug - Oil Drain - Metric	1	1
			Gasket - Oil Drain Plug	1	1
			Gasket - Oil Drain Plug	1	1
FILTER - OIL					
14	76/	*	Filter	1	1
15	76/	D7AZ-6890-B	Insert - Filter Adapter	1	1
INDICATOR AND TUBE - OIL LEVEL					
16	76/85 86/	D5UZ-6750-B D9JL-6750-B	Indicator		1
17	76/85 86/	D5UZ-6754-B E4JL-6754-BA	Indicator	1	1
			Tube		1
			Tube	1	1
GASKET - OIL PAN					
18	76/88 89/	E6TZ-6781-A E9TZ-6710-A	Gasket Set	1	1
			Gasket - One Piece	1	1
REINFORCEMENT - OIL PAN					
19	89/ 89/	E9TZ-6N728-A E9TZ-6N728-B	Reinforcement - Right Side	1	1
			Reinforcement - Left Side	1	1

* See generator set parts catalog.



**LSG-875I, LSG-875P AND LSG-875R
460 CID GASOLINE
INDUSTRIAL ENGINE, POWER UNIT AND IRRIGATION ENGINE**



WATER PUMP, THERMOSTAT HOUSING, FAN AND RELATED PARTS — TYPICAL

IE-527A

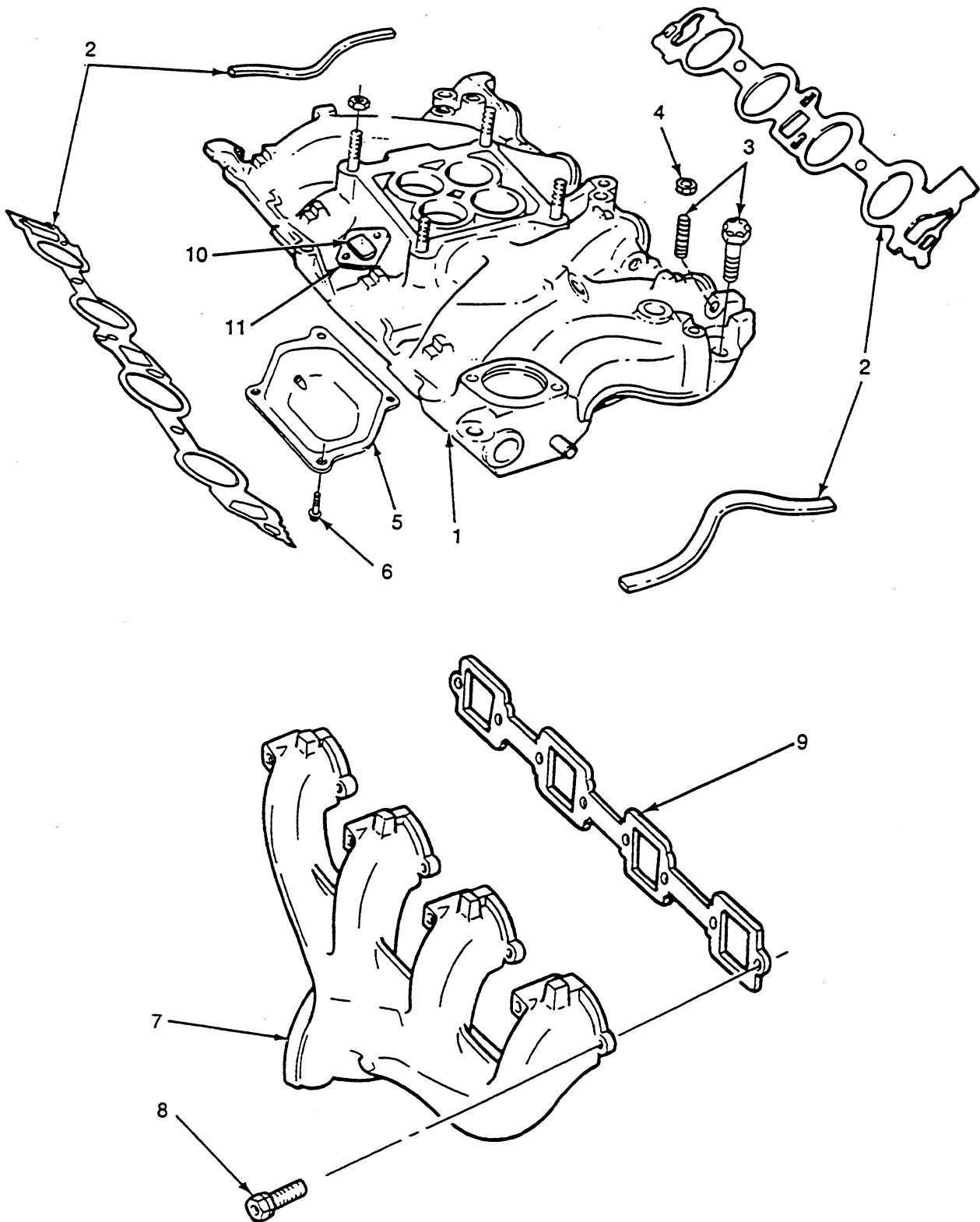
**LSG-875I, LSG-875P AND LSG-875R
460 CID GASOLINE
INDUSTRIAL ENGINE, POWER UNIT AND IRRIGATION ENGINE**



REF NO.	YEAR	PART NUMBER	DESCRIPTION	QUANTITY	
				IND	IRR
			WATER PUMP, THERMOSTAT HOUSING, FAN AND RELATED PARTS		
			PUMP ASSEMBLY - WATER		
1	76/ 85/	F1TZ-8501-A	Pump		1
2	76/ 85/	F1JE-8501-DA	Pump	1	
		C8VZ-8507-A	Gasket		1
		D1JE-8507-AA	Gasket	1	
3	76/	C5AZ-8555-B	Tube - Water By-Pass - Cut To Fit	2	2
4	76/	C2OZ-8597-D	Hose - Water By-Pass - Cut To Fit	1	1
5	76/	97355-S8	Clamp - 1.00 Inch	2	2
			PULLEY - WATER PUMP		
6	76/ 85/	DOOZ-8509-A	Pulley - 1 Sheave		1
		E4JL-8A528-AA	Pulley - 3 Sheave	1	
			THERMOSTAT		
7	76/	D5PZ-8575-B	Thermostat - 180°	1	1
			CONNECTION - WATER OUTLET		
8	76/78 79/89	D7VY-8582-A	Connection		1
		D8TZ-8592-B	Connection	1	1
		FOTZ-8592-E	Connection	1	1
9	76/	C8SZ-8255-A	Gasket - Water Outlet Connection	1	1
10	76/	58619-S2	Bolt - 5/16-18 x 1.125 - Connection To Manifold	2	2



LSG-875I, LSG-875P AND LSG-875R
460 CID GASOLINE
INDUSTRIAL ENGINE, POWER UNIT AND IRRIGATION ENGINE



MANIFOLD AND RELATED PARTS — TYPICAL

IE-331A

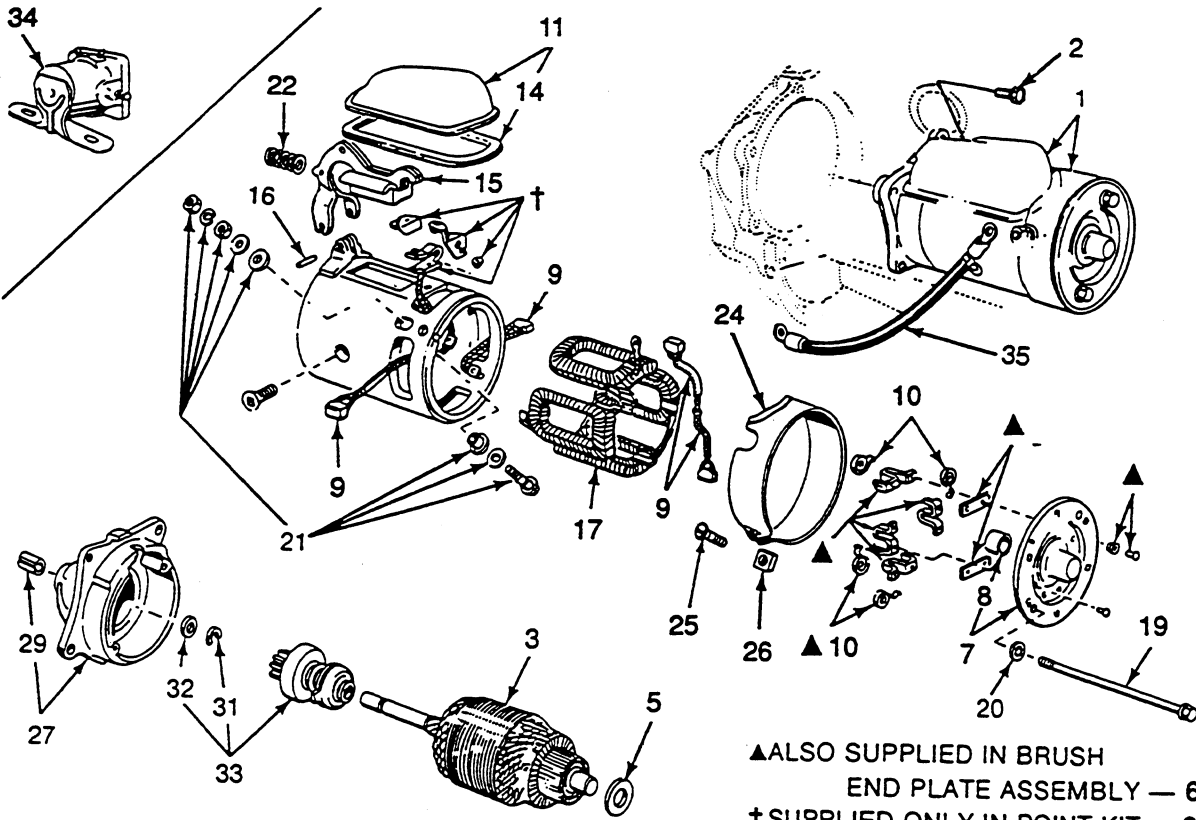
**LSG-875I, LSG-875P AND LSG-875R
460 CID GASOLINE
INDUSTRIAL ENGINE, POWER UNIT AND IRRIGATION ENGINE**



REF NO.	YEAR	PART NUMBER	DESCRIPTION	QUANTITY	
				IND	IRR
MANIFOLDS AND RELATED PARTS					
MANIFOLD - INTAKE					
1	76/ 85/93	D1JE-9424-CA D9TZ-9424-H	Manifold		1
	93/ 76/ 85/93	D1JE-9424-CA F4JL-9433-AA F3TZ-9433-A	Manifold	1	
2	76/ 85/93	F4JL-9433-AA E6JL-9433-AB	Gasket Set		1
	93/ 76/ 76/	E6JL-9433-AB 383744-S 58639-S2	Gasket Set	1	
3	76/ 76/	383744-S 58639-S2	Stud - 3/8-16-16 x 2.44	AR	AR
	76/ 76/		Bolt - 3/8-16 x 2.25	AR	AR
4	76/ 76/	383745-S2	Bolt - 3/8-16 x 1.62 - Not Serviced	AR	AR
	76/		Nut - 3/8-16	AR	AR
5	76/	DOOZ-6A630-A	Baffle - Oil - Not Serviced	1	1
6	76/	378330-S	Screw - Drive - No.14 x .38 - Not Serviced	4	4
MANIFOLD - EXHAUST					
7	76/ 76/	E5HE-9431-BA E5HE-9430-CA	Manifold - Left	1	1
	85/ 76/85	E8HE-9430-AA	Manifold - Right		1
8	76/85 76/85		Manifold - Right	1	
	85/ 85/	387760-S2 390530-S2	Bolt - 3/8-16 x 1.50 - Not Serviced		14
9	85/ 85/	390528-S2 390529-S2	Stud - 3/8-16-16 x 2.94		2
	76/ 76/	D4VY-9448-A D4VY-9448-B	Bolt - 3/8-16 x 1.31	12	12
9	76/ 76/	D4VY-9448-A D4VY-9448-B	Stud - 3/8-16-16 x 2.42	2	2
			Stud - 3/8-16-16 x 2.66	2	2
9	76/ 76/	D4VY-9448-A D4VY-9448-B	Gasket - Manifold - Left	1	1
			Gasket - Manifold - Right	1	1
COVER - THERMOSTATIC CHOKE HEAT SUPPLY					
10	76/	D9HZ-9A705-A	Cover	1	1
11	76/	C8SZ-9903-A	Gasket	1	1

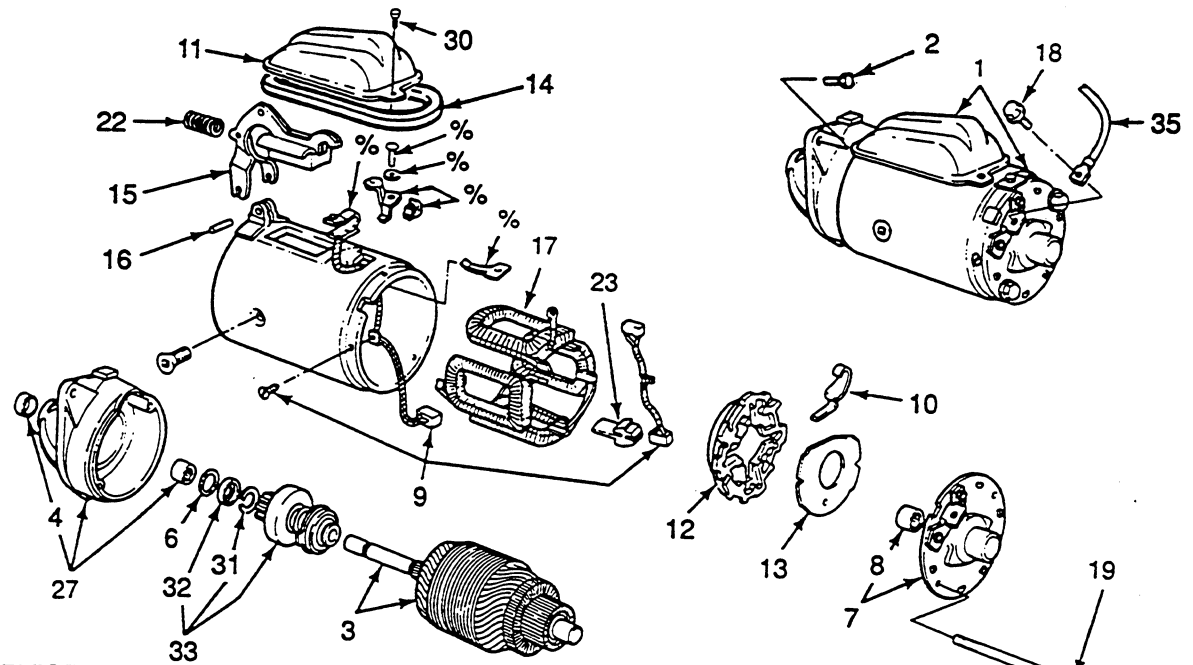


**LSG-875I, LSG-875P AND LSG-875R
460 CID GASOLINE
INDUSTRIAL ENGINE, POWER UNIT AND IRRIGATION ENGINE**



▲ ALSO SUPPLIED IN BRUSH
END PLATE ASSEMBLY — 6
† SUPPLIED ONLY IN POINT KIT — 28

STARTER AND DRIVE ASSEMBLY — POSITIVE ENGAGEMENT — TYPICAL



% SERVICED
ONLY IN
CONTACT
POINT KIT — 28

**STARTER AND DRIVE ASSEMBLY — POSITIVE ENGAGEMENT
ALL W/REAR CABLE ATTACHMENT — TYPICAL**

**LSG-875I, LSG-875P AND LSG-875R
460 CID GASOLINE
INDUSTRIAL ENGINE, POWER UNIT AND IRRIGATION ENGINE**



REF NO.	YEAR	PART NUMBER	DESCRIPTION	QUANTITY	
				IND	IRR
STARTER AND RELATED PARTS-POSITIVE ENGAGEMENT					
STARTER AND DRIVE ASSEMBLY					
NOTE: WHEN REPLACING A COMPLETE STARTER - USE CURRENT LEVEL - PERMANENT MAGNET TYPE					
1	76/77	D5AZ-11002-C	Starting Motor - Identification D5AF-EA - Not Serviced		1
	77/81	D7AZ-11002-B	Starting Motor - Identification D8AF-BA - Not Serviced		1
	81/83	D9HZ-11002-A	Starting Motor - Identification D9HT-AA - Not Serviced		1
	84/92	E1HZ-11002-A	Starting Motor - Identification E1HF-AA - Not Serviced	1	1
2	76/92	56741-S2	Bolt - 3/8-16 x 1.25	AR	AR
	77/81	56744-S	Bolt - 3/8-16 x 2.00 - Not Serviced		AR
3	76/92	D7AZ-11005-A	Armature	1	1
4	76/77	DOAZ-11K013-A	Seal - Drive End Housing - Not Serviced Separately		1
5	76/77	CODZ-11036-A	Washer - Armature Thrust - Not Serviced		1
6	76/92	C6VY-11036-A	Washer - Drive Thrust	1	1
7	76/77	C4TZ-11049-B	Plate And Bushing - Brush End		1
	77/92	D7AZ-11049-A	Plate And Bushing - Brush End	1	1
8	76/92	D3AZ-11052-A	Bushing - Brush End Plate	1	1
9	76/77	CODZ-11057-B	Brush Set		1
CONSISTS OF					
		18-11056	Instruction Sheet - Not Serviced Separately		1
		25247-S7	Brush Set - Not Serviced Separately		1
		C5AF-11055-A	Screw - Not Serviced Separately		1
		CODF-11056-B	Brush - Not Serviced Separately		1
	77/92	D7AZ-11057-A	Brush - Not Serviced Separately	1	1
CONSISTS OF					
		50399-S36	Instruction Sheet - Not Serviced Separately	1	1
		D8AF-11055-BA	Screw - Not Serviced Separately	2	2
		D8AF-11056-AA	Brush - Not Serviced Separately	1	1
			Brush - Not Serviced Separately	2	2
10	76/77	D1AZ-11059-A	Spring - Brush - Not Serviced		4
	77/92	D7AZ-11059-A	Spring - Brush	4	4
11	76/83	D8AZ-11060-A	Cover - Plunger		1
	84/92	E1AZ-11060-A	Cover - Plunger	1	1
12	77/92	D7AZ-11061-A	Holder - Brush	1	1
13	77/92	D7AZ-11062-A	Insulator - Brush Holder	1	1
14	76/92	CODF-11065-A	Gasket - Plunger Cover	1	1
15	76/77	CODF-11067-B	Lever - Drive		1
	77/83	D7AZ-11067-A	Lever - Drive		1
	84/92	E1AZ-11067-A	Lever - Drive	1	1
16	76/77	73266-S	Pin - Lever To Housing - Not Serviced		1
	77/83	378962-S	Pin - Lever To Housing - Not Serviced		1
	84/92	389130-S	Pin - Lever To Housing	1	1
17	76/77	C6VY-11082-B	Coil - Field - Complete		1
	77/92	D7AZ-11082-B	Coil - Field - Complete	1	1
18	77/92	385022-S100	Screw And Washer - Cable To Plate	1	1
19	76/92	C3AZ-10120-A	Bolt - Thru	2	2
20	76/92		Washer - 1/4 Lock - Not Serviced	2	2
21	76/77	CODZ-11102-C	Field Terminal Kit		1
CONSISTS OF					
		18-11107-B	Insulator - Terminal - Not Serviced Separately		1
		34971-S	Washer - Lock - Not Serviced Separately		1
		384660-S	Nut - Not Serviced Separately		2
		384661-S	Washer - Not Serviced Separately		1
		44722-S	Washer - Not Serviced Separately		1
		B5A-11093-A	Washer - Not Serviced Separately		1
		B5A-11095-A	Washer - Not Serviced Separately		1

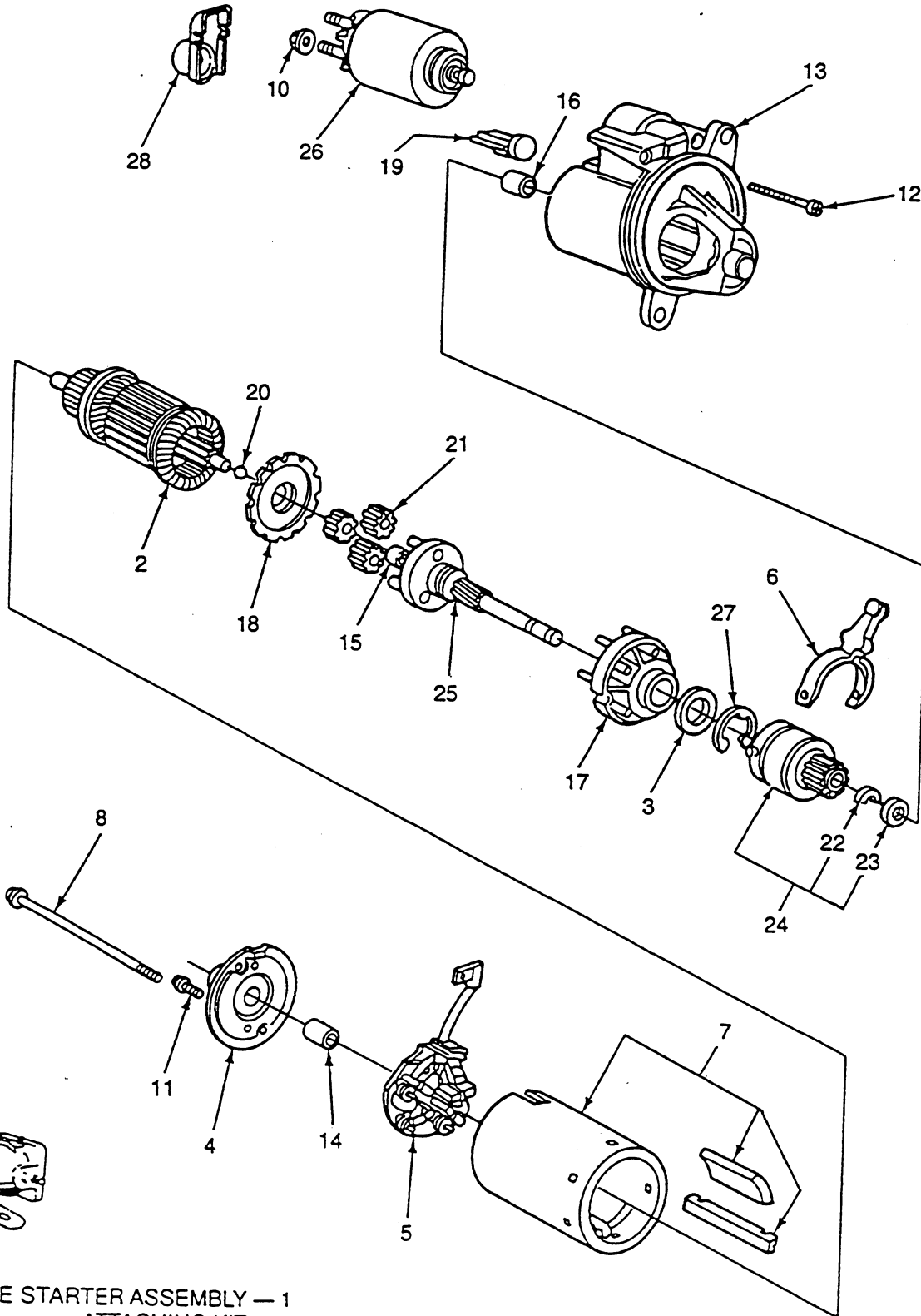
**LSG-875I, LSG-875P AND LSG-875R
460 CID GASOLINE
INDUSTRIAL ENGINE, POWER UNIT AND IRRIGATION ENGINE**



REF NO.	YEAR	PART NUMBER	DESCRIPTION	QUANTITY	
				IND	IRR
21		D8PF-11102-AA	STARTER AND RELATED PARTS-POSITIVE ENGAGEMENT (Cont'd) Terminal - Not Serviced Separately		1
			STARTER AND DRIVE ASSEMBLY (Cont'd) NOTE: WHEN REPLACING A COMPLETE STARTER - USE CURRENT LEVEL - PERMANENT MAGNET TYPE		
22	76/92	C1VF-11103-A	Spring - Plunger Return	1	1
23	77/92	D7AZ-11A120-A	Grommet	1	1
24	76/77	C2OZ-11126-A	Band - Cover - Not Serviced		1
25	76/77	27185-S2	Screw - No.10-32 x 1.625		1
26	76/77	34079-S36	Nut - No.10-32		1
27	76/77	D1AZ-11130-A	Housing Kit - Drive End		1
			CONSISTS OF		
			Instruction Sheet - Not Serviced Separately		1
		C2DZ-11222-A	Ring - Drive Stop		1
		C6VF-11383-A	Washer - Drive Pinion Thrust		1
		D1PF-11A130-AA	Lubricant - Not Serviced Separately		1
		D2AF-11130-GA	Housing - Not Serviced Separately		1
		D6AZ-11223-A	Retainer - Drive Stop Ring		1
		DOAZ-11K013-A	Seal - Drive End Housing - Not Serviced Separately		1
	77/81	D7AZ-11130-B	Housing Assembly - Drive End - Not Serviced		1
	81/83	D9HZ-11130-A	Housing Assembly - Drive End		1
	84/92	E1HZ-11130-A	Housing Assembly - Drive End	1	1
28	76/77	C2OZ-11134-C	Point Kit - Contact		1
			CONSISTS OF		
			Instruction Sheet - Not Serviced Separately		1
		57013-S	Screw - Not Serviced Separately		1
		C2DZ-11068-A	Insulator - Not Serviced Separately		1
		C2OF-11116-B	Spring - Not Serviced Separately		1
		C2OZ-11176-B	Post - Not Serviced Separately		1
		C2OZ-11181-A	Insulator - Not Serviced Separately		1
	77/92	D7AZ-11134-A	Point Kit - Contact	1	1
			CONSISTS OF		
			Instruction Sheet - Not Serviced Separately	1	1
		387446-S	Rivet - Not Serviced Separately	1	1
		387447-S	Rivet - Not Serviced Separately	1	1
		D8AF-11068-AA	Insulator - Not Serviced Separately	1	1
		D8AF-11071-AA	Terminal - Not Serviced Separately	1	1
		D8AF-11116-AA	Spring - Not Serviced Separately	1	1
		D8AF-11177-AA	Post - Not Serviced Separately	1	1
		D8AF-11181-AA	Insulator - Not Serviced Separately	1	1
29	76/77	DOAZ-11135-B	Bearing - Not Serviced Separately		1
	77/92	D6AZ-11135-A	Bearing - Not Serviced Separately	1	1
30	77/92	388015-S100	Retainer - Cover - Screw - No.10-32 x .62	1	1
31	76/92	C2DZ-11222-A	Ring - Drive Stop	1	1
32	76/92	D6AZ-11223-A	Retainer - Drive Stop Ring	1	1
33	76/92	D6PZ-11350-B	Drive Assembly	1	1
			RELAY - STARTER		
34	76/92	E4JL-11450-AA	Relay	1	1
35	76/92	C3JZ-14431-A	Cable - Relay To Starter	1	1
			HEAT SHIELD - STARTER		
36	76/92	F2HZ-11006-A	Shield - Not Illustrated	1	1
37	76/92	20312-S36	Bolt - 3/8-16 x .50 - Attach Shield - Not Illustrated	2	2



LSG-875I, LSG-875P AND LSG-875R
460 CID GASOLINE
INDUSTRIAL ENGINE, POWER UNIT AND IRRIGATION ENGINE



COMPLETE STARTER ASSEMBLY — 1
ATTACHING KIT — 9
STARTER AND DRIVE ASSEMBLY — PERMANENT MAGNET — TYPICAL

IE-540A

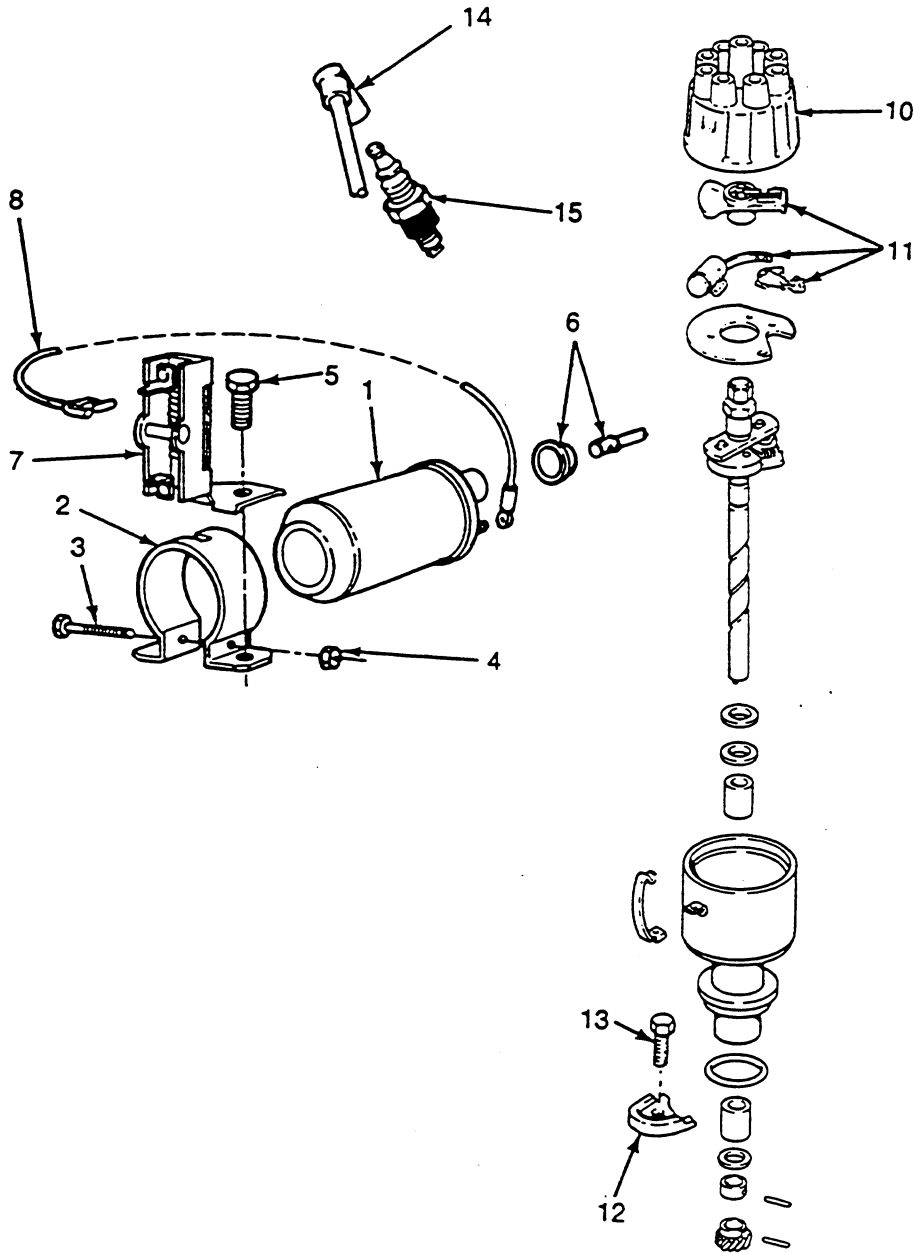
**LSG-875I, LSG-875P AND LSG-875R
460 CID GASOLINE
INDUSTRIAL ENGINE, POWER UNIT AND IRRIGATION ENGINE**



REF NO.	YEAR	PART NUMBER	DESCRIPTION	QUANTITY	
				IND	IRR
STARTER AND RELATED PARTS PERMANENT MAGNET					
STARTER AND DRIVE ASSEMBLY					
1	92/	F2HZ-11002-A	Starter	1	1
2	92/	F2TZ-11005-A	Armature	1	1
3	92/	E9OZ-11036-A	Washer	1	1
4	92/	E9OZ-11049-A	Plate And Bearing - Brush End	1	1
5	92/	E9OZ-11061-C	Holder - Brush - Includes Brushes	1	1
6	92/	E9OZ-11067-A	Lever	1	1
7	92/	E9OZ-11075-A	Frame And Magnet Assembly	1	1
8	92/	E9SZ-11091-A	Bolt - Thru	2	2
9	92/	E9OZ-11A091-A	Kit - Attaching	1	1
CONSISTS OF					
10	92/	N805403-S100	Nut And Washer - M8	1	1
11	92/	N805406-S36B	Screw - M5 x 10.40mm - Serviced In Kit Only	2	2
12	92/	N805405-S36B	Screw - M6 x 35.3mm - Serviced In Kit Only	2	2
13	92/	F2HZ-11130-A	Housing - Drive End - Includes Bearing	1	1
14	92/	MC-209-A	Bearing - Brush End	1	1
15	92/	E9OZ-11135-A	Bearing - Planet	3	3
16	92/	F2TZ-11135-A	Bearing - Drive End Housing	1	1
17	92/	E9OZ-11A165-A	Gear - Stationary	1	1
18	92/	E9OZ-11A167-A	Retainer - Gear	1	1
19	92/	E9OZ-11A171-A	Seal	1	1
20	92/	E9OZ-11A172-A	Ball - Armature Thrust	1	1
21	92/	E9OZ-11K190-A	Gear Assembly - Planet - Includes Bearing	3	3
22	92/	C2DZ-11222-A	Ring - Drive Stop	1	1
23	92/	D6AZ-11223-A	Retainer - Drive Stop Ring	1	1
24	92/	E9OZ-11350-A	Drive Assembly - Includes Ring And Retainer	1	1
25	25	FOTZ-11355-A	Shaft Assembly - Output	1	1
26	92/	F3VY-11390-B	Solenoid	1	1
27	92/	97476-S2	Ring - Retaining	1	1
28	92/	E9OZ-11N087-A	Cover - Solenoid Terminal	1	1
RELAY - STARTER					
29	92/	E4JL-11450-AA	Relay	1	1
HEAT SHIELD - STARTER					
30	92/	F2HZ-11006-A	Shield - Not Illustrated	1	1
31	92/	20312-S36	Bolt - 3/8-16 x .50 - Attach Shield - Not Illustrated	2	2



LSG-875I, LSG-875P AND LSG-875R
460 CID GASOLINE
INDUSTRIAL ENGINE, POWER UNIT AND IRRIGATION ENGINE



DISTRIBUTOR COMPLETE — 9

IGNITION PARTS — BREAKER TYPE — TYPICAL

IE-333B

**LSG-875I, LSG-875P AND LSG-875R
460 CID GASOLINE
INDUSTRIAL ENGINE, POWER UNIT AND IRRIGATION ENGINE**



REF NO.	YEAR	PART NUMBER	DESCRIPTION	QUANTITY	
				IND	IRR
IGNITION PARTS - BREAKER TYPE					
COIL ASSEMBLY - IGNITION					
1	76/85	B6A-12029-B	Coil		1
2	76/85	D3VY-12043-A	Strap - Coil Mounting		1
3	76/85	57020-S2	Screw - No.8-32 x 1.50		1
4	76/85	34052-S36	Nut And Lockwasher - No.8-32		1
5	76/85	42996-S36	Bolt - 3/8-16 x .75 - Locking		1
6	76/85	D6TZ-12298-B	Wire - High Tension - Coil To Distributor		1
7	76/85	D9JL-12250-A	Resistor - Ignition		1
8	76/85	C3JZ-14497-A	Wire - Coil To Resistor		1
DISTRIBUTOR ASSEMBLY					
9	76/85	E5JL-12100-EA	Distributor - Includes Cap And Rotor		1
10	76/85	E5JL-12106-AA	Cap		1
11	76/85	E5JL-12103-AA	Kit - Includes Points, Condenser And Rotor		1
12	76/85	C3AZ-12270-A	Clamp		1
13	76/85	42955-S8	Bolt - 5/16-18 x .875		1
WIRE SET - SPARK PLUG					
14	76/85	E5PZ-12259-HR	Wire Set		1
SPARK PLUG					
15	76/85	ASF-32-CM	Spark Plug		8

**LSG-875I, LSG-875P AND LSG-875R
460 CID GASOLINE
INDUSTRIAL ENGINE, POWER UNIT AND IRRIGATION ENGINE**



REF NO.	YEAR	PART NUMBER	DESCRIPTION	QUANTITY	
				IND	IRR
IGNITION PARTS - SOLID STATE					
COIL ASSEMBLY - IGNITION					
1	85/	D5AZ-12029-A	Coil	1	1
2	85/	D7SZ-12043-B	Strap - Coil Mounting	1	1
DISTRIBUTOR ASSEMBLY					
5	85/90	E3TZ-12127-BAA	Distributor - Less Cap, Rotor And Adapter	1	1
	91/93	FOHZ-12127-A	Distributor - Less Cap, Rotor And Adapter	1	1
	93/	F3HZ-12127-A	Distributor - Less Cap, Rotor And Adapter		1
	93/	FOHZ-12127-A	Distributor - Less Cap, Rotor And Adapter	1	
6	85/	E6TZ-12106-A	Cap	1	1
7	85/90	E6TZ-12200-C	Rotor	1	1
	91/93	E6TZ-12200-F	Rotor	1	1
	93/	E6TZ-12200-F	Rotor	1	
	93/	E6TZ-12200-C	Rotor		1
8	85/90	E2ZZ-12A217-B	Adapter	1	1
	91/93	E3TZ-12A217-A	Adapter	1	1
	93/	E3TZ-12A217-A	Adapter	1	
	93/	E2ZZ-12A217-B	Adapter		1
9	85/93	D3AZ-12370-C	Diaphragm Assembly	1	1
	93/	D3AZ-12370-C	Diaphragm Assembly	1	
10	85/	B9TF-12143-A	"O" Ring	1	1
11	85/	7RA-12144-A	Clamp - Adapter Hold Down	2	2
12	85/	351826-S	Washer - "C" Type	1	1
13	85/	D4PZ-12A112-A	Stator Assembly	1	1
14	85/	D3AZ-12A099-A	Armature	1	1
15	85/	305015-S	Pin - Armature	1	1
16	85/	31061-S8	Screw - No.8-32 x .50	1	1
17	85/	C3AZ-12270-A	Clamp	1	1
18	85/	42955-S8	Bolt - 5/16-18 x .875	1	1
WIRE SET - SPARK PLUG					
19	85/	E8PZ-12259-P	Wire Set	1	1
20	85/	E3PZ-12298-D	Wire - Coil To Distributor	1	1
SPARK PLUG					
21	85/	ASF-42C	Spark Plug	8	8

