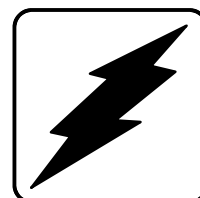


Service Parts

Transfer Switches



Models:

K
KN
KB

Controllers:
S340 Solid-state
340, R340 Relay

(See TP-5645 for contactor service parts)



KOHLER[®]
POWER SYSTEMS

TP-5257 5/93a

Table of Contents

Introduction

Introduction	2
Explanation of Kohler Part Number	3
Transfer Switch Breakdown	4

Enclosures

Open, 30-4000 Amps.	7
Automatic, NEMA Type 1, 30-800 Amps.	8
Automatic, NEMA Type 1, 1000-1200 Amps.	12
Automatic, NEMA Type 1, 1600-2000 Amps.	16
Automatic, NEMA Type 1, 3000-4000 Amps.	20
Nonautomatic, NEMA Type 1, 30-800 Amps.	24
Nonautomatic, NEMA Type 1, 1000-1200 Amps.	28
Nonautomatic, NEMA Type 3R, 30-800 Amps.	32
Automatic, NEMA Type 3R, 30-800 Amps.	36
Automatic, NEMA Type 12, 30-400 Amps.	40
Automatic, NEMA Type 12, 600-800 Amps.	42
Automatic, NEMA Type 12, 1000-1200 Amps.	44
Automatic, NEMA Type 1, CSA 30-800 Amps.	46
Automatic Transfer and Bypass Isolation	50
NEMA Type 1, 150-400 Amps.	
Automatic Transfer and Bypass Isolation,	54
NEMA Type 1, 400-800 Amps.	
Automatic Transfer and Bypass Isolation,	58
NEMA Type 1, 1000-1200 Amps.	
Automatic Transfer and Bypass Isolation,	62
NEMA Type 1, 1600-2000 Amps.	

Inner Door Panel

Relay Logic	66
Solid State	68
Nonautomatic	72
S140 Logic	76

Neutral Lug Assembly

Neutral Lug Assembly	78
30-800 Amp., CSA	80

Transformer Assembly

Single-Phase Sensing 110-240 V	82
Single-Phase Sensing 190-380 V	84
Single-Phase Sensing 416-600 V	86
Three-Phase Sensing 110-240 V	88
Three-Phase Sensing 380-600 V	90

Accessories

Accessories Table of Contents	94
Accessories Introduction	95

Introduction

Use this catalog to locate service parts for Kohler Transfer Switches 30 to 4000 amperes. If service parts are needed for Kohler Bypass-Isolation Switches, use the appropriate groups of this catalog to locate service parts for the transfer switch and Consult Factory for all other bypass-isolation switch related components.

Contactor Service Parts

This catalog does not contain service parts for Group 405-Contactors and the contactor assemblies. Contactor service parts are listed in a separate catalog, TP-5645.

Standard Hardware and Leads

Procure standard hardware (identified as #) locally using description provided. Individual leads do not appear in this catalog. Most leads are available by ordering the appropriate wiring harness. Otherwise replacement will require fabrication using same type of stranded copper wire (gauge, color, length, identical terminals, and proper lead designation at each end).

How To Find Part Numbers

Follow the step-by-step instructions to determine the correct parts. An example is given with each step. For a complete description of the transfer switch part number, see "Explanation of Kohler Part Number".

1. Record transfer switch part number on the following page. Example: K-566341-0150
2. Determine group in which service part is needed using figure 1, page 3. Example: Need enclosure door.
3. Locate the NEMA Type 1 section in Enclosures.
4. Locate 150 amperage column.
5. Locate part number in 150 amperage column.
Example: Door, enclosure 294790

When a quantity of more than one is used, a number in parentheses will follow the part description or part number.

Accessory Part Numbers

1. Record transfer switch part number and include accessory requiring service. Factory installed accessories are shown on transfer switch nameplate. Example: K-568543-0070, 31-BA
2. Determine accessory number and component needed. Example: 31-BA (Audible Alarm); Need 2 Amp. fuse.
3. Turn to Accessories and locate accessory number. Look at parts listing for components. Example: Fuse, 2 Amp. 239049

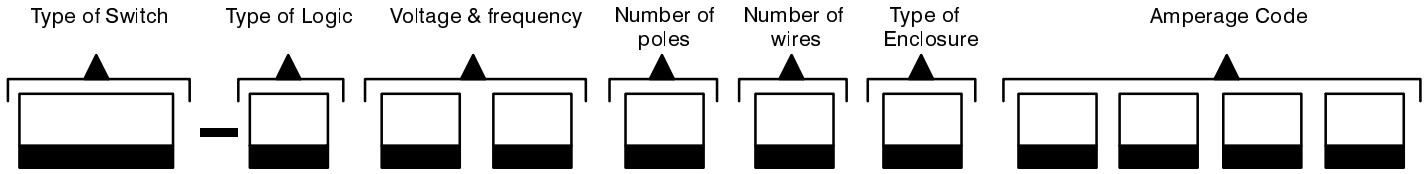
When a quantity of more than one is used, a number in parentheses will follow the part description.

Consult Factory

If part numbers or accessories indicate "Consult Factory," contact Kohler Co., Generator Division, Generator Service Parts Dept., Kohler, WI 53044. Telephone (920) 565-3381.

Explanation of Kohler Part Number

Record the transfer switch part number in spaces below. The transfer switch part number must be known to determine the component part numbers.



Kohler Part Number Key

This diagram explains the Kohler Transfer Switch model numbering code system. The sample number shown is for a microprocessor controlled Automatic Transfer Switch, 480-Volt, 60 Hertz, 3-phase, 3- pole, 4-wire, 150-Ampere model in a NEMA 1 enclosure.

SAMPLE PART NUMBER

K-566341-0150

TYPE OF TRANSFER SWITCH

- K - Automatic Transfer Switch
- KB - Automatic Transfer and Bypass Isolation Switch
- KN - Nonautomatic Transfer Switch

TYPE OF LOGIC (Determining Digit A)

- 1 - Solid State
- 2 - Relay
- 3 - Manual Relay
- 4 - Elevator Control
- 5 - Microprocessor

VOLTAGE & FREQUENCY PHASE TO PHASE (Determining Digit B)

- | | |
|--------------------|--------------------|
| 240V AC MAX | 600V AC MAX |
| 21 - 110V 50/60 HZ | 60 - 600V 50/60 HZ |
| 22 - 120V 50/60 HZ | 61 - 110V 50/60 HZ |
| 23 - 220V 50/60 HZ | 62 - 120V 50/60 HZ |
| 24 - 240V 50/60 HZ | 63 - 220V 50/60 HZ |
| 27 - 190V 50/60 HZ | 64 - 240V 50/60 HZ |
| 28 - 208V 50/60 HZ | 65 - 550V 50/60 HZ |
| | 66 - 480V 50/60 HZ |
| | 67 - 190V 50/60 HZ |
| | 68 - 208V 50/60 HZ |
| | 69 - 440V 50/60 HZ |
| | 71 - 380V 50/60 HZ |
| | 73 - 416V 50/60 HZ |

NUMBER OF POLES (Determining Digit C)

- 2 - 2-Pole, 1-Phase
- 3 - 3-Pole, 3-Phase
- 4 - 3-Pole, 1-Phase
- 5 - 3-Pole, 3-Phase with overlapping neutral contacts

NUMBER OF WIRES (Determining Digit D)

- 2 - 2-Wire
- 3 - 3-Wire
- 4 - 4-Wire

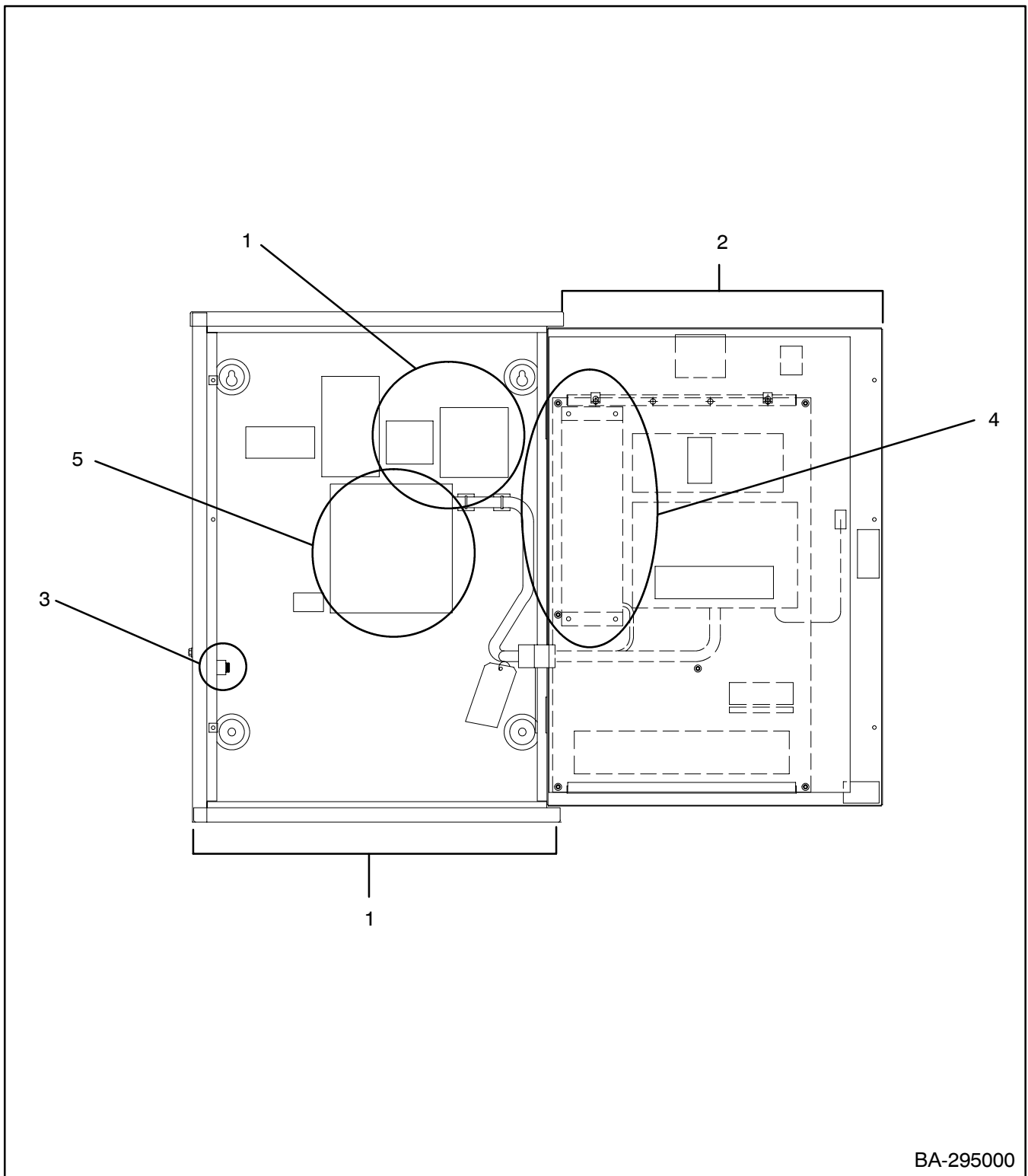
TYPE OF ENCLOSURE (Determining Digit E)

- 0 - Open
- 1 - NEMA 1
- 2 - NEMA 12
- 3 - NEMA 3R
- 4 - NEMA 1 CSA
- 7 - Open CSA

AMPERES (Determining Digit F)

- | | |
|--------------------|---------------------|
| 0030 - 30 Amperes | 0800 - 800 Amperes |
| 0070 - 70 Amperes | 1000 - 1000 Amperes |
| 0100 - 100 Amperes | 1200 - 1200 Amperes |
| 0104 - 104 Amperes | 1600 - 1600 Amperes |
| 0150 - 150 Amperes | 2000 - 2000 Amperes |
| 0225 - 225 Amperes | 2500 - 2500 Amperes |
| 0260 - 260 Amperes | 3000 - 3000 Amperes |
| 0400 - 400 Amperes | 4000 - 4000 Amperes |
| 0600 - 600 Amperes | |

Transfer Switch Breakdown



BA-295000

- 1 Enclosure (includes Decals)
- 2 Inner Panel
- 3 Neutral Lug
- 4 Transformer
- 5 Contactor Use TP-5645

Figure 1. Transfer Switch Breakdown

This Page Intentionally Left Blank

This Page Intentionally Left Blank

Open, 30-4000 Amps.

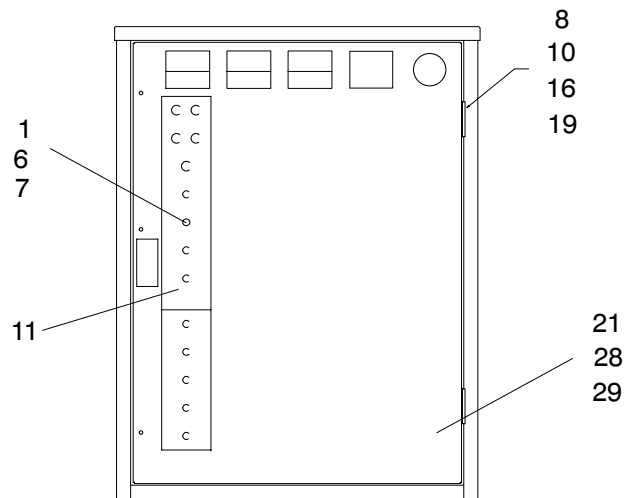
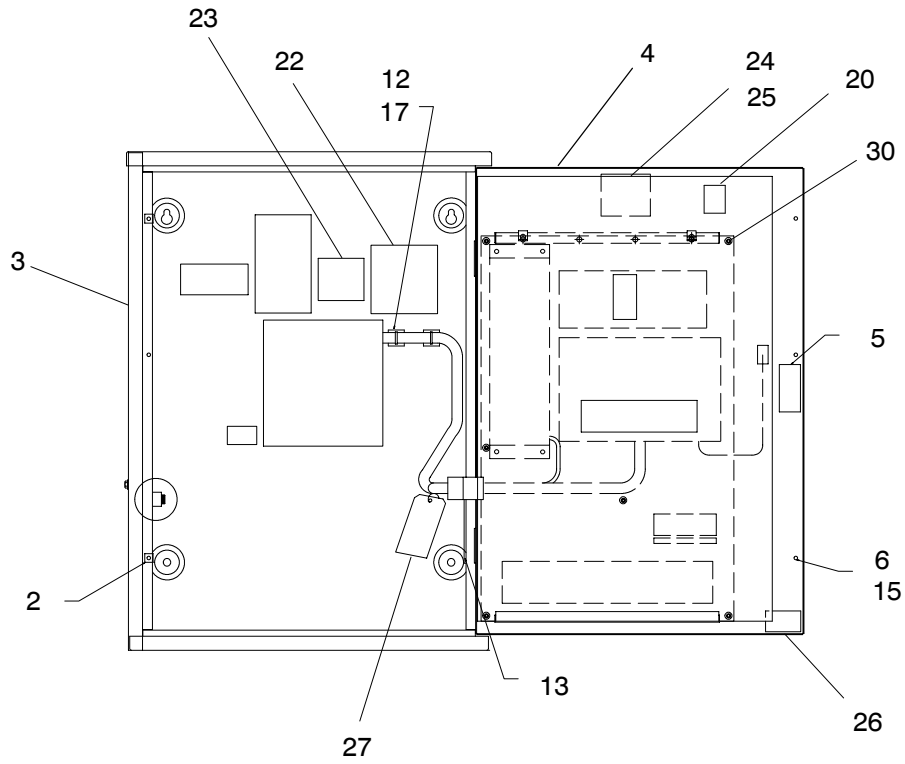
Enclosures

Item	Description	Part Number
		30-4000 Amps.
1	Ring, switch lock	151511
2	Switch, toggle	295068

Note: Items are shipped loose.

Common hardware, procure locally.

*Use part number on models with serial number K27147 or earlier.



BA-295000

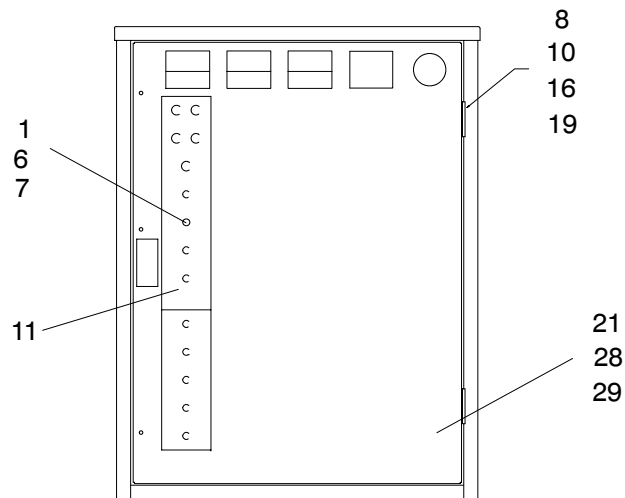
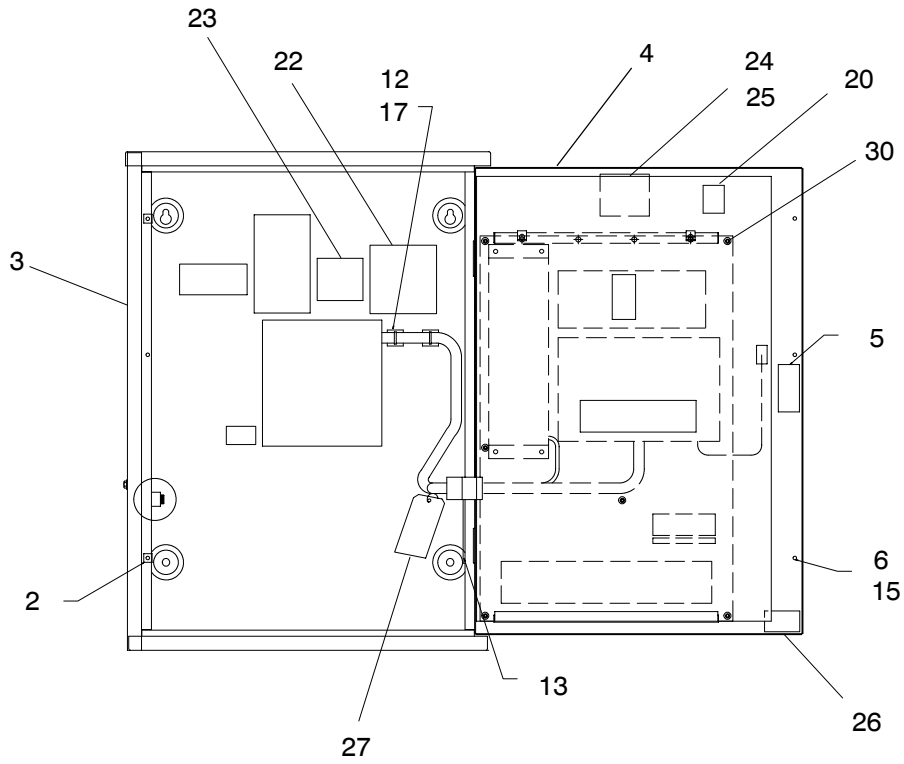
Automatic, NEMA Type 1, 30-800 Amps.

Enclosures

Item	Description	Part Number		
		30-150 Amp.	225-400 Amp.	600-800 Amp.
1	Ring, lock	151511	151511	151511
2	Clip, speed	257442 (2)	257442 (2)	X-6220-1 (2)
3	Enclosure, transfer	294318	294306	295015
	Enclosure, transfer	*295002	*295012	-----
4	Door, enclosure	294322	294310	294291
	Door, enclosure	*295003	*295013	*295016
5	Latch, locking	295004	295004	295004
6	Retainer	295010 (2)	295010 (2)	295009 (2)
7	Switch, toggle	295068	295068	295068
8	Screw, flat head machine	295098 (8)	295098 (8)	295098 (8)
9	Key (Item not shown)	296235	296235	296235
10	Hinge, split	297600 (2)	297600 (2)	297600 (3)
11	Decal	297938	297938	297938
	Nameplate	*295086	*295331	*295332
12	Base, tie wrap	298776 (2)	298776 (2)	298776 (2)
13	Envelope, instruction	298777	298777	298777
14	Enclosure complete (Includes items 3, 4, 5, 6, 8, 10)	*A-295026	*A-295027	*B-295028
15	Screw, H.C. #10-24 x 1.75	X-117-4 (2)	X-117-4 (2)	X-465-10 (2)
16	Washer, plain .220 x .438 x .047	X-25-7 (4)	X-25-7 (4)	X-25-7 (6)
17	Tie (expense), cable	X-468-1 (6)	X-468-1 (6)	X-468-1 (8)
18	Screw, R.H.M. 8-32x1/2 (Item not shown)	X-51-15	X-51-15	X-51-15
19	Nut, hex. 10-24	X-70-2 (4)	X-70-2 (4)	X-70-2 (6)
20	Decal, 1-800 number	224233	224233	224233
21	Decal, Transfer Switch	273746	273746	273746
22	Decal, notice	294414	294414	294414
23	Decal, contactor	294602	294602	294602
24	Nameplate	295232	295232	295232
25	Nameplate, serial no.	295392 (4)	295392 (4)	295392 (4)
26	Decal, UL	297009	297009	297009
27	Tag, hang	297949	297949	297949
28	Decal, stripes	X-6232-1	X-6232-1	X-6232-2

Common hardware, procure locally

*Use part number on models with serial number K27147 or earlier.



BA-295000

Automatic, NEMA Type 1, 30-800 Amps.

Enclosures

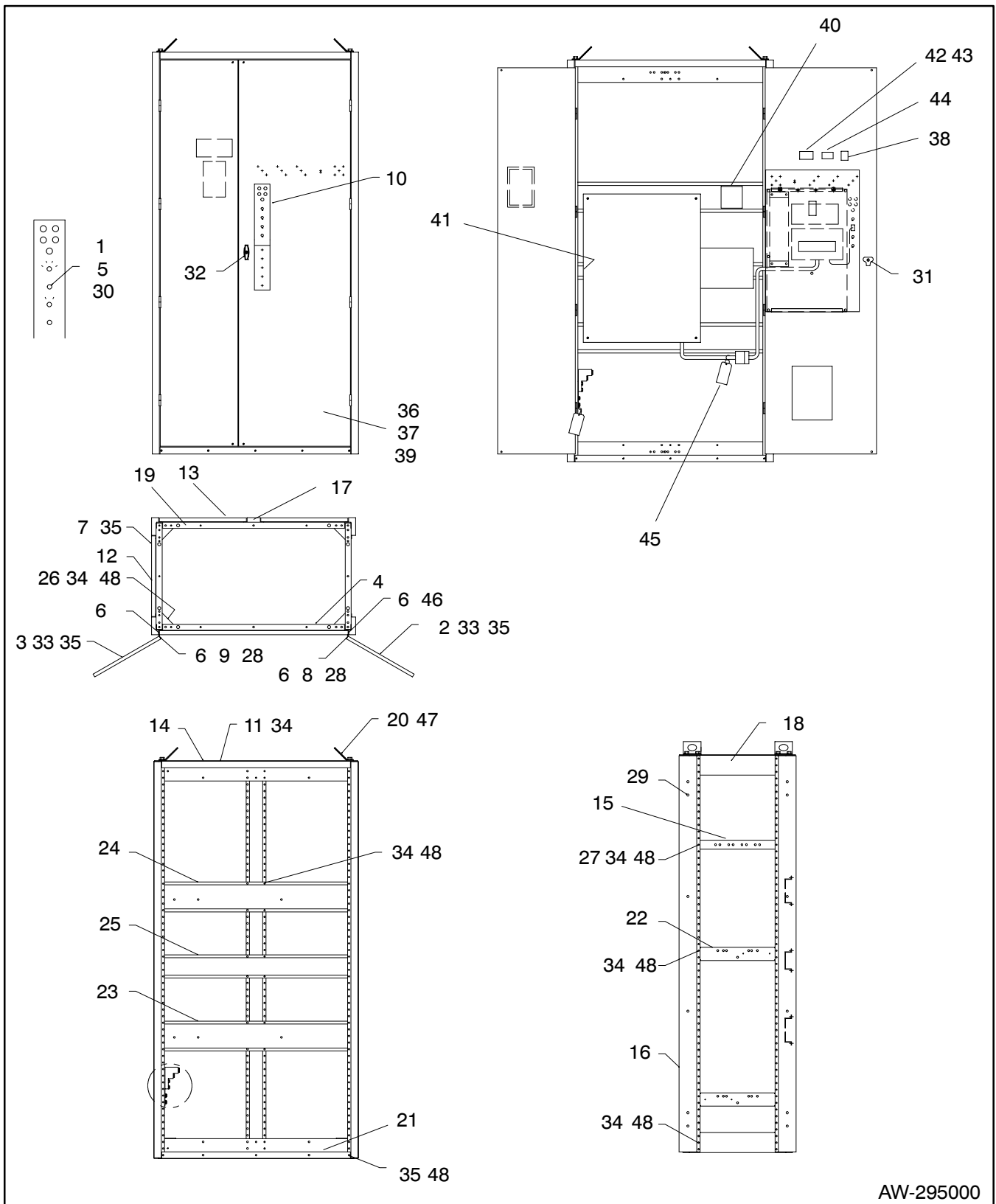
Item	Description	Part Number		
		30-150 Amp.	225-400 Amp.	600-800 Amp.
29	Decal, Kohler Power System	X-6246-3	X-6246-3	X-6246-4
30	Washer #10 lock	# (12)	# (18)	# (18)
31	Screw nut, 8-32 hex. (Item not shown)	#	#	#

Common hardware, procure locally

*Use part number on models with serial number K27147 or earlier.

Enclosures

Automatic, NEMA Type 1, 1000-1200 Amps.



AW-295000

Automatic, NEMA Type 1, 1000-1200 Amps.

Enclosures

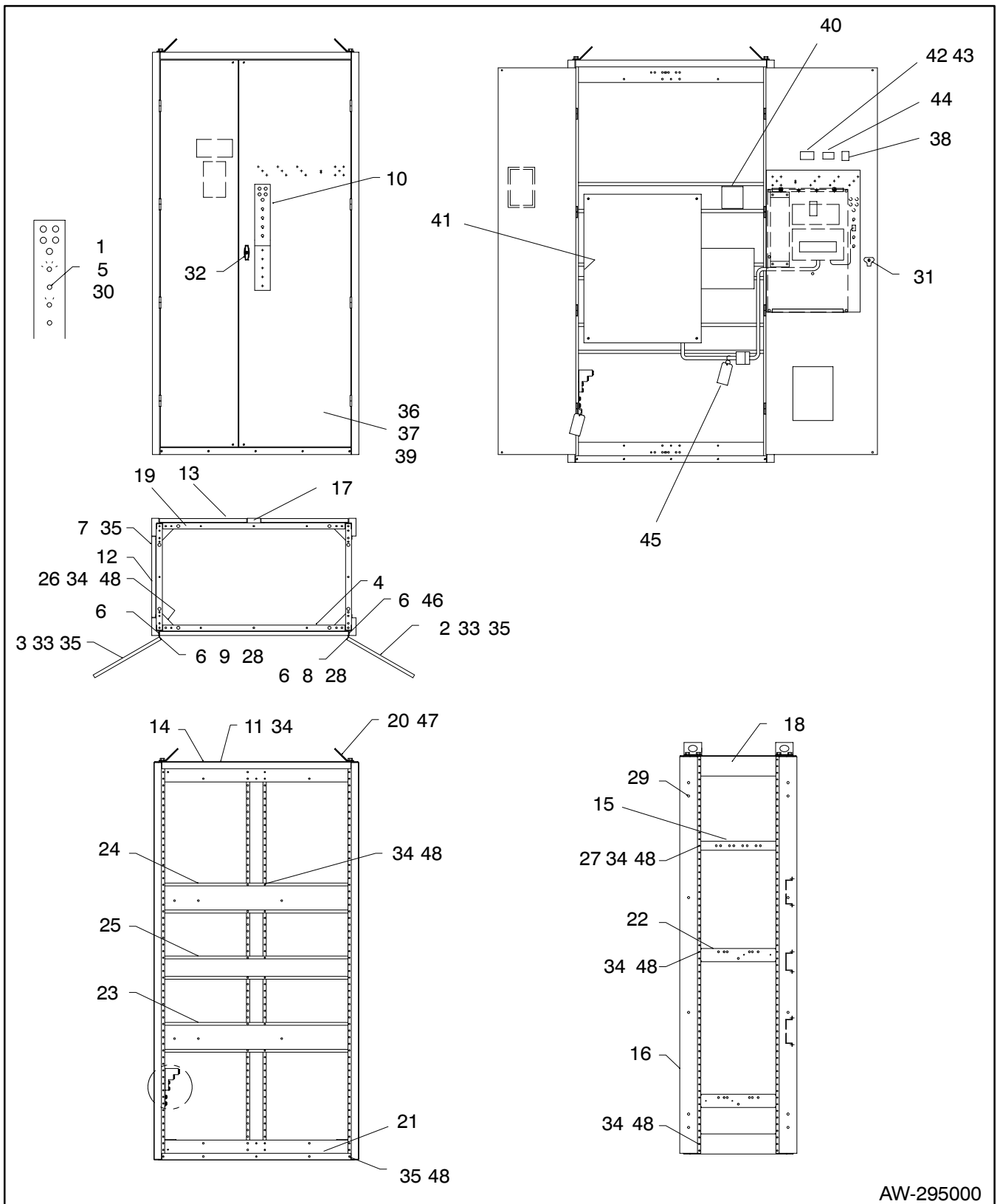
Item	Description	Part Number
		1000-1200 Amp.
1	Ring, lock	151511
2	Door, right	294288
	Door, right	*298450
3	Door, left	294334
	Door, left	*298449
4	Channel, front, top, back	294335 (2)
5	Switch, toggle	295068
6	Screw, flat head machine	295098 (32)
7	Clip, speed	297596 (48)
8	Hinge, split	297600 (4)
9	Hinge, split	297601 (4)
10	Decal	297938
11	Clip, speed	297952 (12)
12	Panel, side	298349 (4)
13	Panel, back	298350 (4)
14	Plate, top	298352
15	Bus, ground	298424
16	Channel, corner	298425 (4)
17	Channel center vertical	298427
18	Channel, top & bottom	298429 (4)
19	Channel, top & bottom	298430 (2)
20	Bracket, lifting	298433 (8)
21	Panel, spacer	298434
22	Channel, 3" side	298437 (3)
23	Bracket, bottom mounting	298440
24	Bracket, top mounting	298441
25	Bracket, support	298443
26	Brace, corner	298722 (4)
27	Washer, lock 1/4	X-22-11 (2)
28	Washer, plain .220 x .438 x .047	X-25-7 (12)
29	Button, plug	X-301-23 (24)
30	Tie (expense), cable	X-468-1 (4)
31	Tie (expense), cable	X-468-2

Common hardware, procure locally

*Use part number on models with serial number K27147 or earlier.

Enclosures

Automatic, NEMA Type 1, 1000-1200 Amps.



AW-295000

Automatic, NEMA Type 1, 1000-1200 Amps.

Enclosures

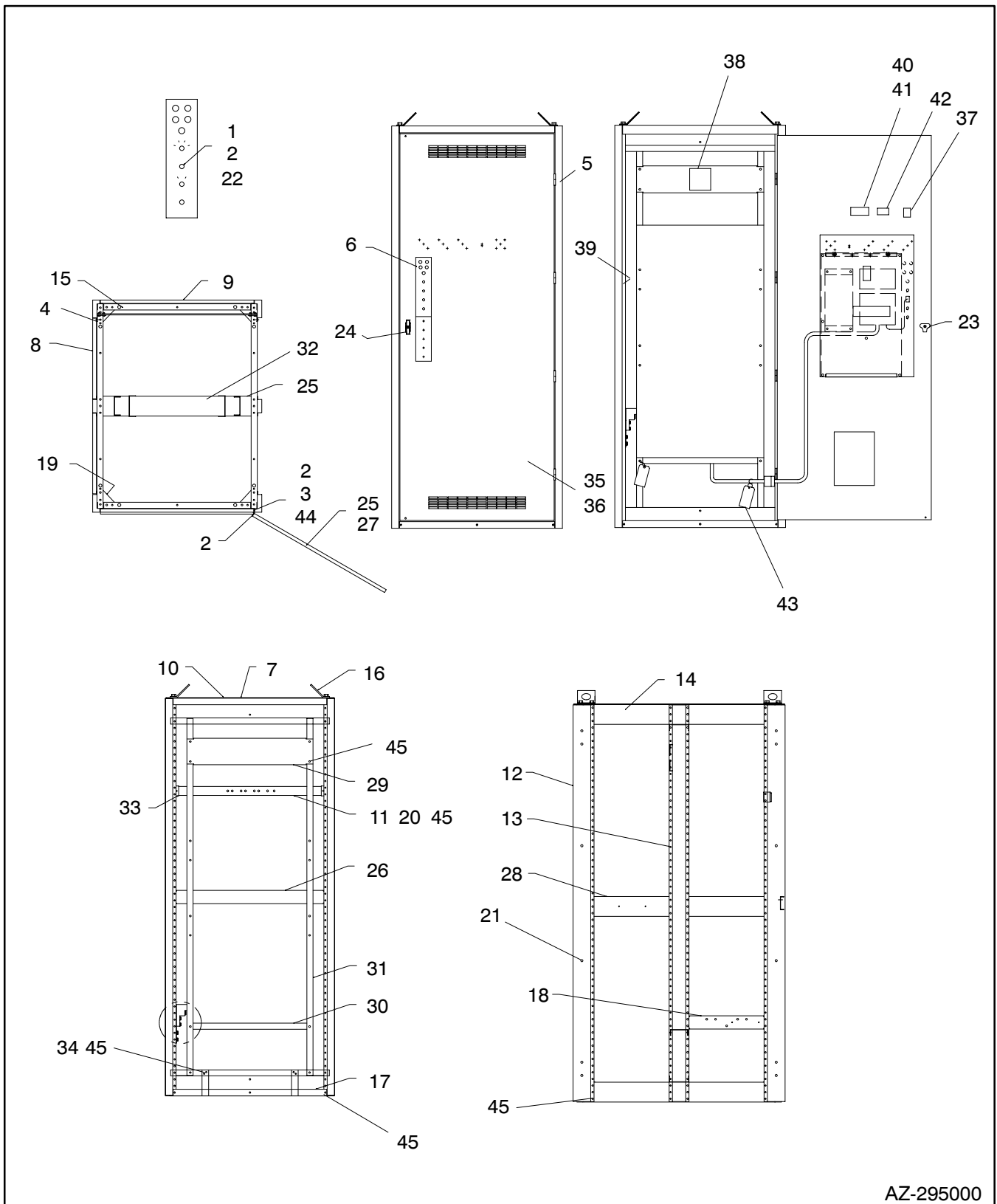
Item	Description	Part Number
		1000-1200 Amp.
32	Latch, T-handle	X-6132-4
	Latch	*298001
33	Retainer, nut	X-6204-1 (4)
34	Screw, hex washer 1/4-20 x .75	X-791-2(148)
35	Screw, hex washer 1/4-20 x 1.5	X-791-3 (61)
36	Decal, stripes	X-6232-2
37	Decal, Kohler Power System	X-6246-4
38	Decal, 1-800 number	224233
39	Decal, Transfer Switch	273746
40	Decal, notice	294414
41	Decal, contactor	294602
42	Nameplate	295232
43	Nameplate, serial no.	295392 (4)
44	Decal, UL	297009
45	Tag, hang	297949
46	Nut, 10-24 hex	# (48)
47	3/8-16 Hardware	# (8)
48	Nut, 1/4-20	#(141)

Common hardware, procure locally

*Use part number on models with serial number K27147 or earlier.

Enclosures

Automatic, NEMA Type 1, 1600-2000 Amps.



AZ-295000

Automatic, NEMA Type 1, 1600-2000 Amps.

Enclosures

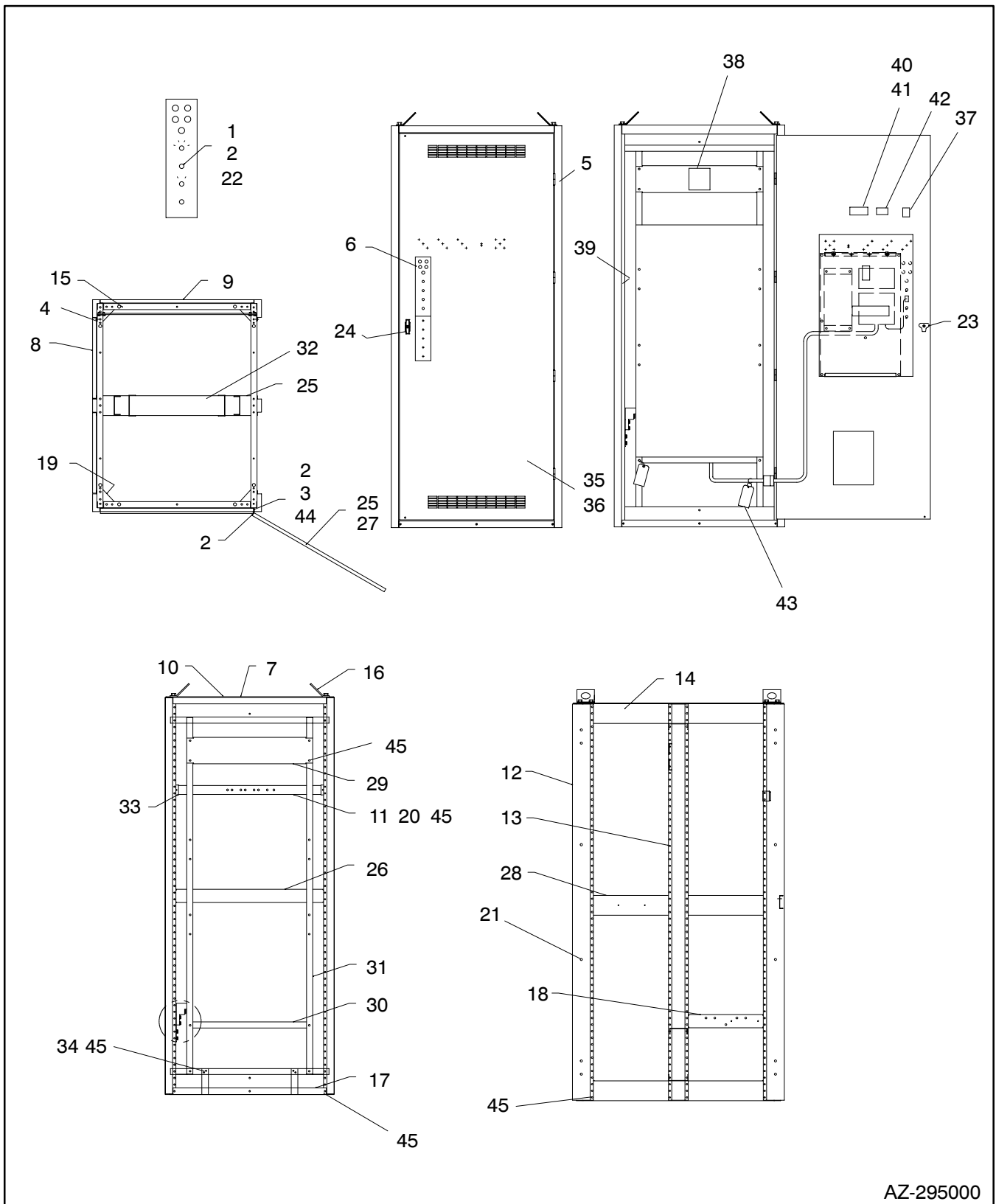
Item	Description	Part Number
		1600-2000
1	Ring, lock	151511
2	Switch, toggle	295068
3	Screw, flat head machine	295098 (24)
4	Clip, speed	297596 (60)
5	Hinge, split	297600 (4)
6	Decal	297938
7	Clip, speed	297952 (12)
8	Panel, side	298349 (8)
9	Panel, back	298351 (3)
10	Plate, top	298448
11	Bus, ground	298446
12	Channel, corner	298425 (4)
13	Channel center vertical	298427 (2)
14	Channel, top & bottom	298431 (4)
15	Channel, top & bottom	298432 (4)
16	Bracket, lifting	298433 (8)
17	Panel, spacer	298438
18	Channel, 3" side	298437
19	Brace, corner	298722 (4)
20	Washer, lock 1/4	X-22-11 (8)
21	Button, plug	X-301-23 (24)
22	Tie (expense), cable	X-468-1 (4)
23	Tie (expense), cable	X-468-2
24	Latch, T-handle	X-6132-4
	Latch	*298001
25	Retainer, nut	X-6204-1 (2)
26	Channel, front & back	261836
27	Door	294295
	Door	*298435
28	Channel, side	298426 (2)
29	Channel	298428
30	Support	298442
31	Channel, vertical	298444 (2)
32	Channel, crossmember	298445 (2)

Common hardware, procure locally

*Use part number on models with serial number K27147 or earlier.

Enclosures

Automatic, NEMA Type 1, 1600-2000 Amps.



AZ-295000

Automatic, NEMA Type 1, 1600-2000 Amps.

Enclosures

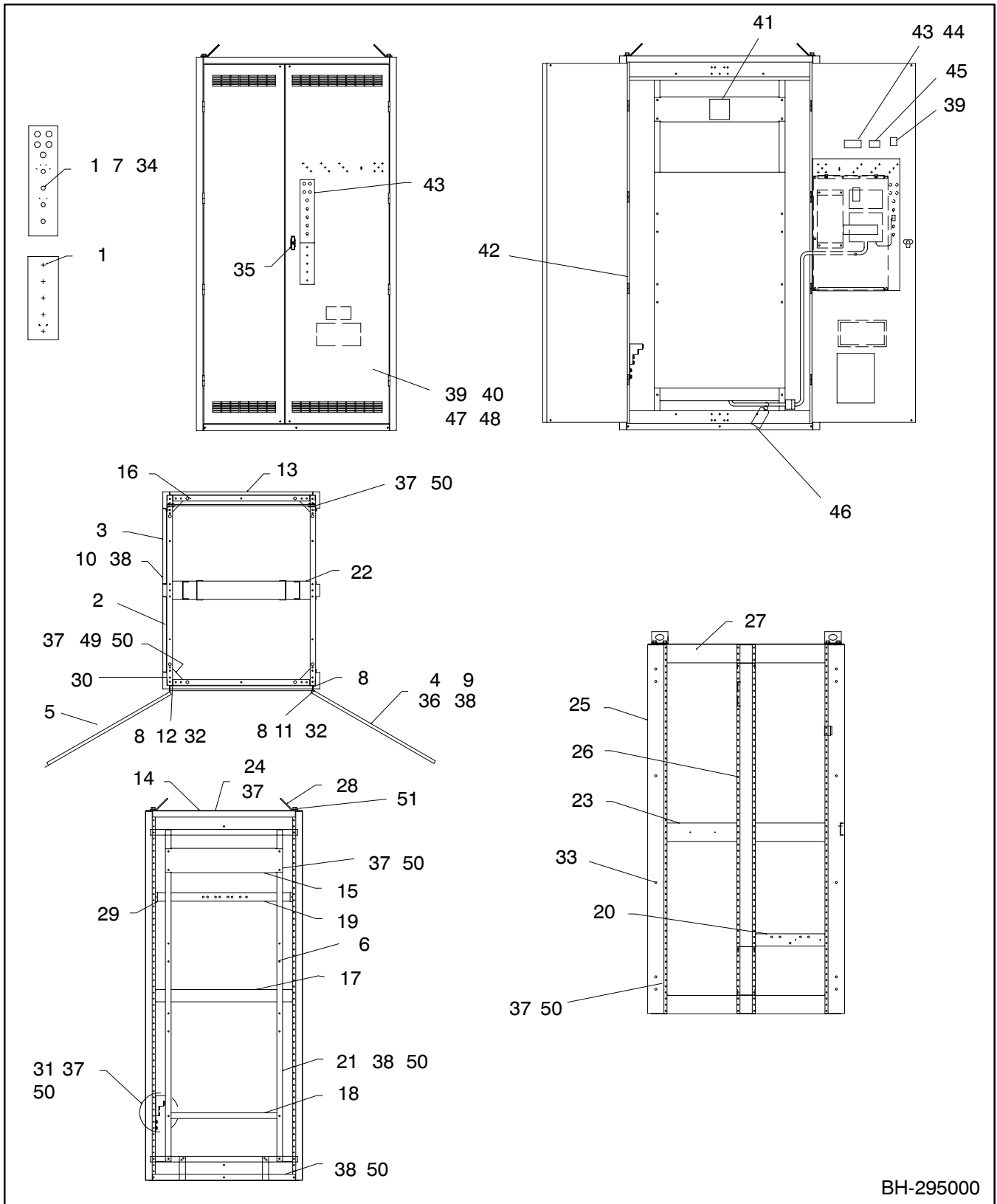
Item	Description	Part Number
		1600-2000
33	Bracket, mounting	298447 (2)
34	Support, channel	298784 (2)
35	Decal, stripes	X-6232-2
	Nameplate, Kohler	*241541
36	Decal, Kohler Power System	X-6246-4
	Decal, Fast Response	*255083
37	Decal, 1-800 number	224233
38	Decal, notice	294414
39	Decal, contactor	294602
40	Nameplate	295232
41	Nameplate, serial no.	295392
42	Decal, UL	297009
43	Tag, hung	297949
44	Nut, 10-24 hex	# (24)
45	Nut, 1/4-20	#(185)

Common hardware, procure locally

*Use part number on models with serial number K27147 or earlier.

Enclosures

Automatic, NEMA Type 1, 3000-4000 Amps.



BH-295000

Automatic, NEMA Type 1, 3000-4000 Amps.

Enclosures

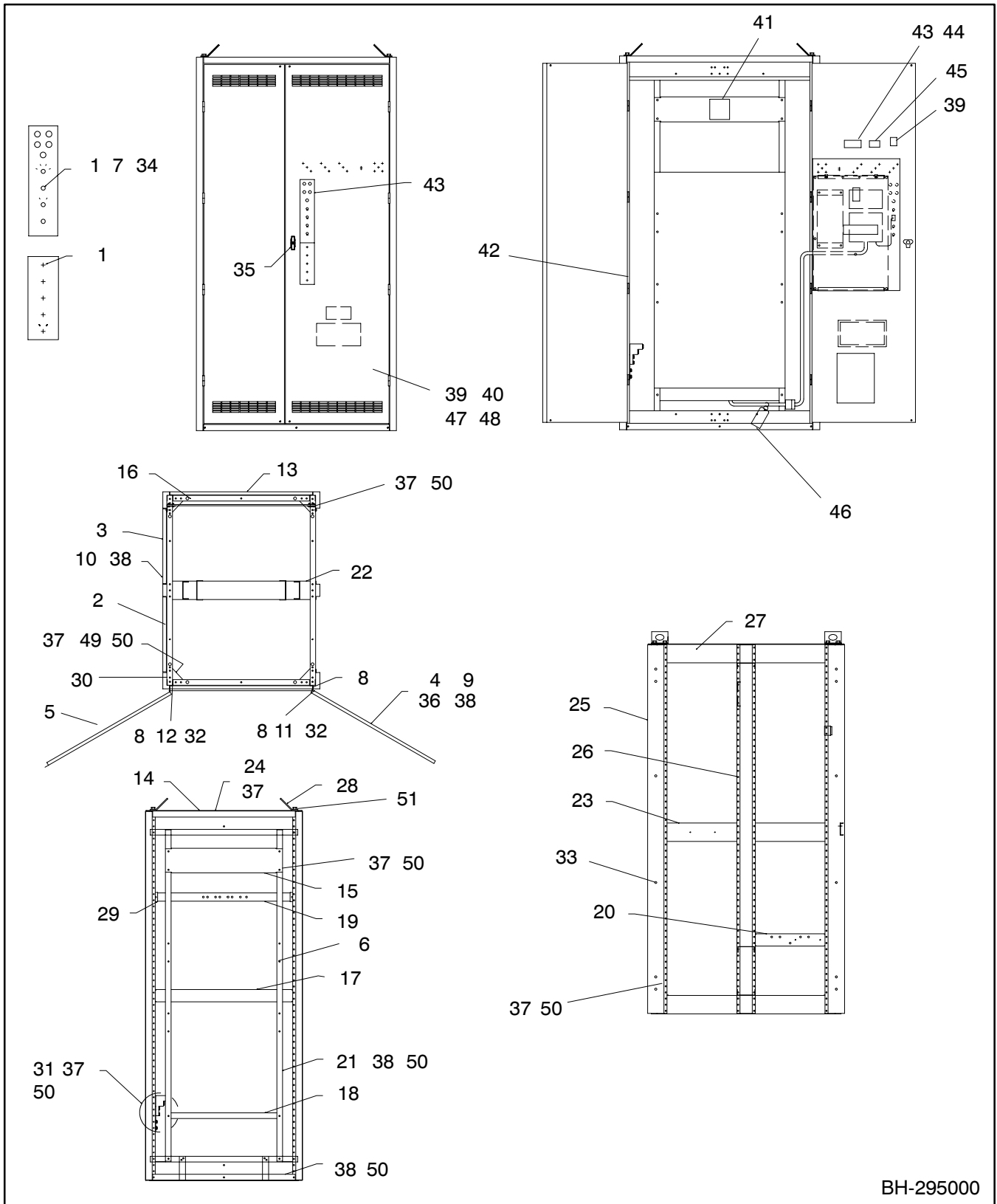
Item	Description	Part Number	
		3000 Amp.	4000 Amp.
1	Ring, lock	151511	151511
2	Panel, side	261793 (4)	261793 (4)
3	Panel, side	262593 (4)	262593 (4)
4	Door, right	294344	294344
	Door, right	*297735	*297735
5	Door, left	294345	294345
	Door, left	*297736	*297736
6	Channel, vertical	294413 (2)	294413 (2)
7	Switch, toggle	295068	295068
8	Screw, flat head machine	295098 (32)	295098 (32)
9	Retainer	295009 (4)	295009 (4)
10	Clip, speed	297596 (60)	297596 (60)
11	Hinge, split	297600 (4)	297600 (4)
12	Hinge, split	297601 (4)	297601 (4)
13	Panel, back	297737 (3)	297737 (3)
14	Plate, top	297738	297738
15	Channel	297739	297740
16	Channel, top & bottom	297743 (4)	297743 (4)
17	Channel, front & back	297744 (2)	297744 (2)
18	Panel, spacer	297745	297745
19	Bus, ground	297747	297747
20	Channel, side	297749	297749
21	Support, angle	297750	297751
22	Channel, crossmember	297752 (2)	297746 (2)
23	Channel, side	297753 (2)	297753 (2)
24	Clip, speed	297952 (12)	297952 (12)
25	Channel, corner	298425 (4)	298425 (4)
26	Channel center vertical	298427 (2)	298427 (2)
27	Channel, top & bottom	298431 (4)	298431 (4)
28	Bracket, lifting	298433 (8)	298433 (8)
29	Bracket, mounting	298447 (2)	298447 (2)
30	Brace, corner	298722 (4)	298722 (4)
31	Support, channel	298784 (2)	298784 (2)
32	Washer, plain .220 x .438 x .047	X-25-7 (12)	X-25-7 (12)

Common hardware, procure locally

*Use part number on models with serial number K27147 or earlier.

Enclosures

Automatic, NEMA Type 1, 3000-4000 Amps.



BH-295000

Automatic, NEMA Type 1, 3000-4000 Amps.

Enclosures

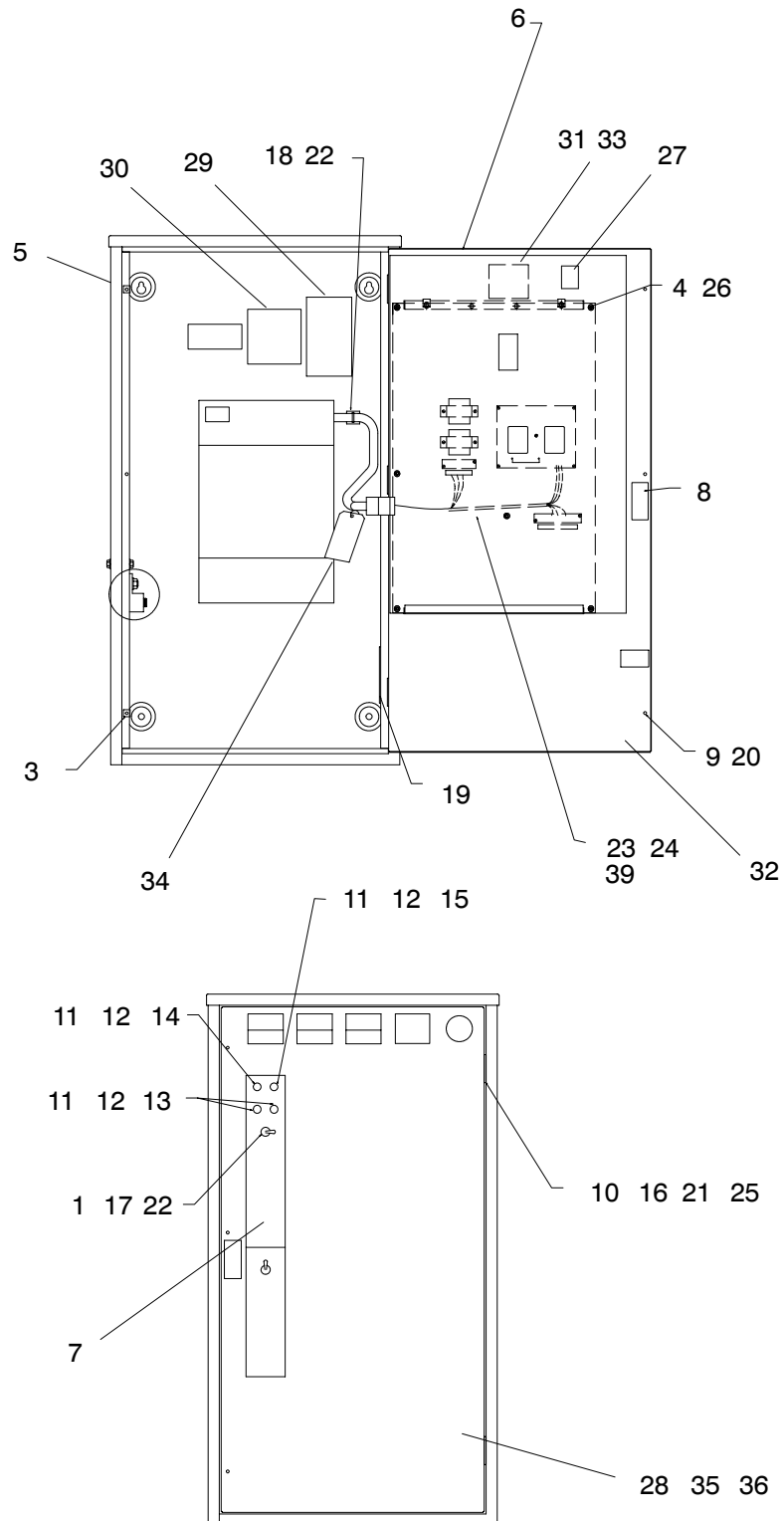
Item	Description	Part Number	
		3000 Amp.	4000 Amp.
33	Button, plug	X-301-23 (24)	X-301-23 (24)
34	Tie (expense), cable	X-468-1 (4)	X-468-1 (4)
35	Latch, T-handle	X-6132-4	X-6132-4
	Latch	*298000	*298001
36	Retainer, nut	X-6204-1 (4)	X-6204-1 (4)
37	Screw, hex washer 1/4-20 x .75	X-791-2(179)	X-791-2(179)
38	Screw, hex washer 1/4-20 x 1.5	X-791-3 (69)	X-791-3 (69)
39	Decal, 1-800 number	224233	224233
40	Decal, Transfer Switch	273746	273746
41	Decal, notice	294414	294414
42	Decal, contactor	294602	294602
43	Nameplate	295232	295232
	Decal	*297938	*297938
44	Nameplate, serial no.	295392 (4)	295392 (4)
45	Decal, UL	297009	297009
46	Tag, hang	297949	297949
47	Decal, stripes	X-6232-1	X-6232-1
48	Decal, Kohler Power System	X-6246-4	X-6246-4
49	Nut 10-24	# (48)	# (48)
50	Nut 1/4-20	#(179)	#(179)
51	3/8-16 hardware	# (8)	# (8)

Common hardware, procure locally

*Use part number on models with serial number K27147 or earlier.

Enclosures

Nonautomatic, NEMA Type 1, 30-800 Amps.



BG-295000

Nonautomatic, NEMA Type 1, 30-800 Amps.

Enclosures

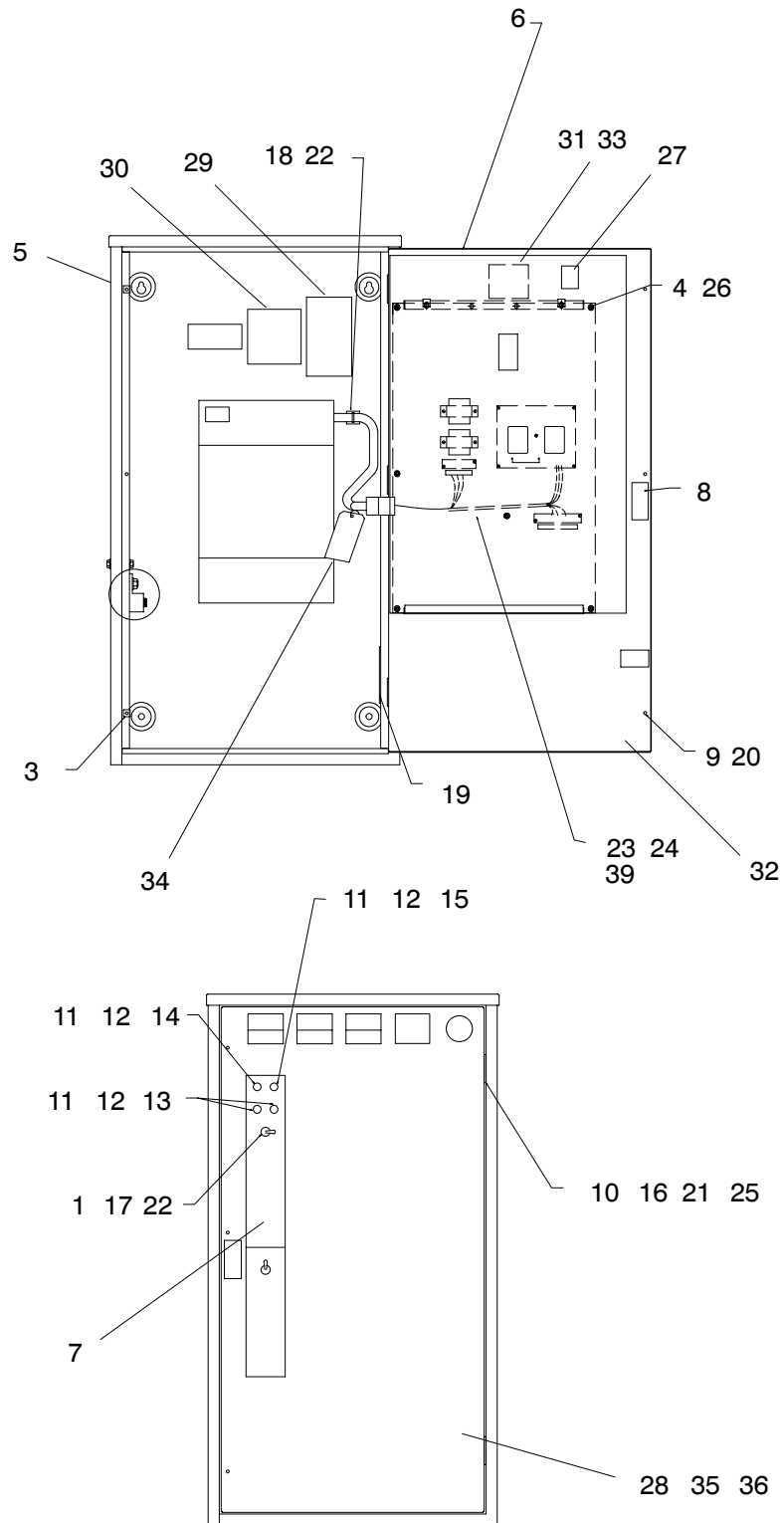
Item	Description	Part Number		
		30-150 Amps.	225-400 Amps.	600-800 Amps.
1	Ring, lock	151511	151511	151511
2	Terminal, adapter (Item not shown)	233704 (2)	233704 (2)	233704 (2)
3	Clip, speed	257442 (2)	257442 (2)	X-6220-1 (2)
4	Spacer, .281 x. 500 x. 375	265861 (6)	265861 (6)	265861 (6)
5	Enclosure, transfer	294318	294306	295015
	Enclosure, transfer	*295002	*295012	-----
6	Door, enclosure	294322	294310	294291
	Door, enclosure	*295003	*295013	*295016
7	Decal	294340	294340	294340
	Nameplate test	*295086	*295331	*295332
8	Latch, locking	295004	295004	295004
9	Retainer	295010 (2)	295010 (2)	295009 (2)
10	Screw, flat head machine	295098 (8)	295098 (8)	295098 (12)
11	Lamp	295324 (4)	295324 (4)	295324 (4)
12	Lamp, socket	295325 (4)	295325 (4)	295325 (4)
13	Lens	295326 (2)	295326 (2)	295326 (2)
14	Lens	295327	295327	295327
15	Lens	295328	295328	295328
16	Hinge, split	297600 (2)	297600 (2)	297600 (3)
17	Switch, toggle	297680	297680	297680
18	Base, tie wrap	298776 (4)	298776 (4)	298776 (4)
19	Envelope, instructions	298777	298777	298777
20	Screw, H.C. #10-24 x 1.75	X-117-4 (2)	X-117-4 (2)	X-465-10 (2)
21	Washer, plain .220 x .438 x .047	X-25-7 (4)	X-25-7 (4)	X-25-7 (6)
22	Tie (expense), cable	X-468-1 (8)	X-468-1 (8)	X-468-1 (8)
23	Tie	X-468-3	X-468-3	X-468-3
24	Screw, R.H.M. 8-32 x1/2	X-51-15	X-51-15	X-51-15
25	Nut, hex. 10-24	X-70-2 (4)	X-70-2 (4)	X-70-2 (6)
26	Nut, hex 1/4-20	X-76-2 (6)	X-76-2 (6)	X-76-2 (6)
27	Decal, 1-800 number	224233	224233	224233
28	Decal, Transfer Switch	273746	273746	273746
29	Decal, notice	294414	294414	294414
30	Decal, contactor	294602	294602	294602

Common hardware, procure locally

*Use part number on models with serial number K27147 or earlier.

Enclosures

Nonautomatic, NEMA Type 1, 30-800 Amps.



BG-295000

Nonautomatic, NEMA Type 1, 30-800 Amps.

Enclosures

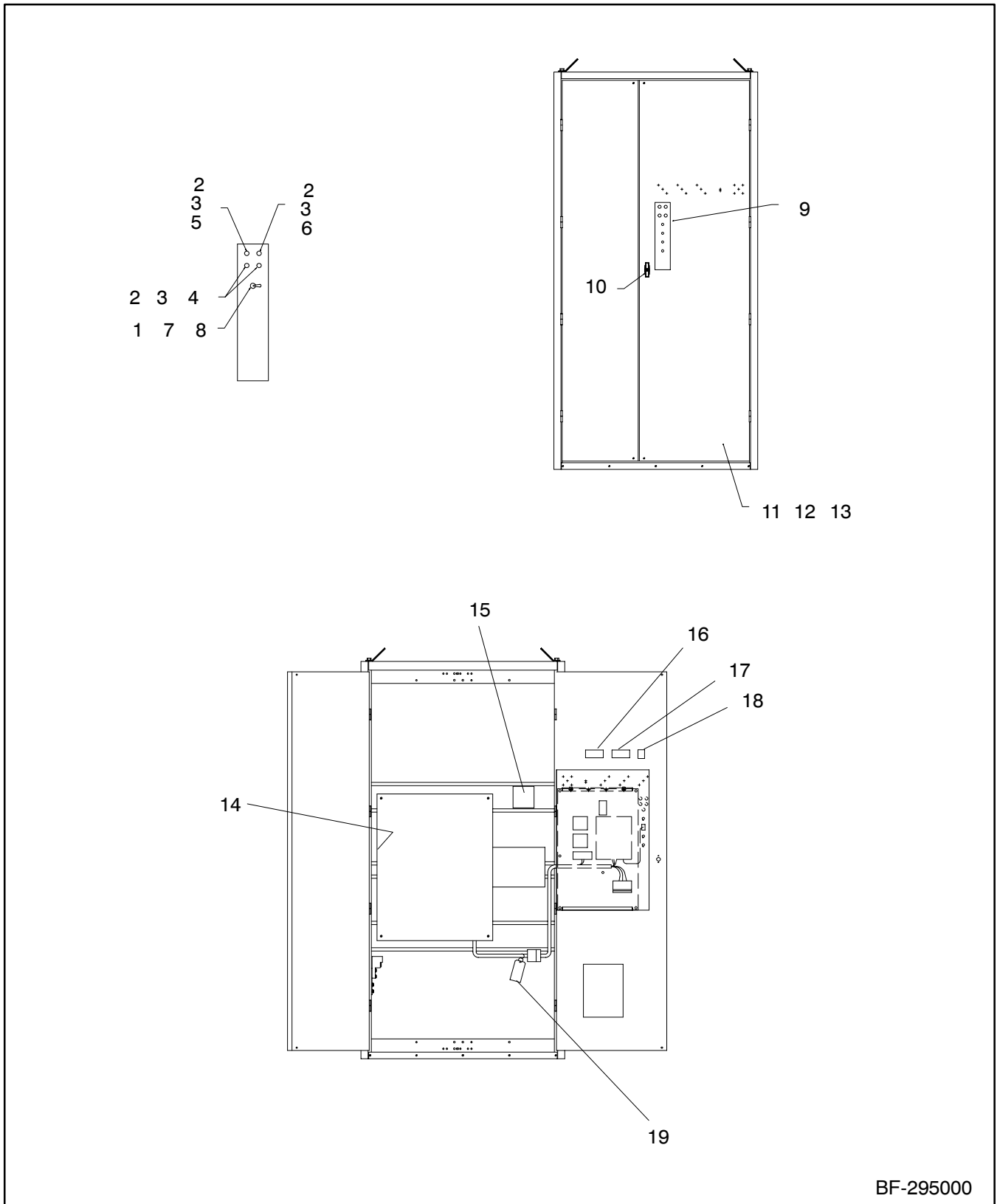
Item	Description	Part Number		
		30-150 Amps.	225-400 Amps.	600-800 Amps.
31	Nameplate, serial no.	295392 (4)	295392 (4)	295392 (4)
32	Decal, U.L.	297484	297484	297484
33	Nameplate	297506	297506	297506
	Nameplate	297938	297938	297938
34	Tag, hang	297949	297949	297949
35	Decal, stripes	X-6232-1	X-6232-1	X-6232-2
36	Decal, Kohler Power System	X-6246-3	X-6246-4	X-6246-4
37	Enclosure complete (Includes items 5, 6, 8, 9, 10, 16)	*A-295026	*A-295027	*B-295028
38	Key (Item not shown)	296235	296235	296235
39	Nut, 8-32 hex.	#	#	#

Common Hardware, Procure Locally

*Use part number on models with serial number K27147 or earlier.

Enclosures

Nonautomatic, NEMA Type 1, 1000-1200 Amps.



BF-295000

Nonautomatic, NEMA Type 1, 1000-1200 Amps.

Enclosures

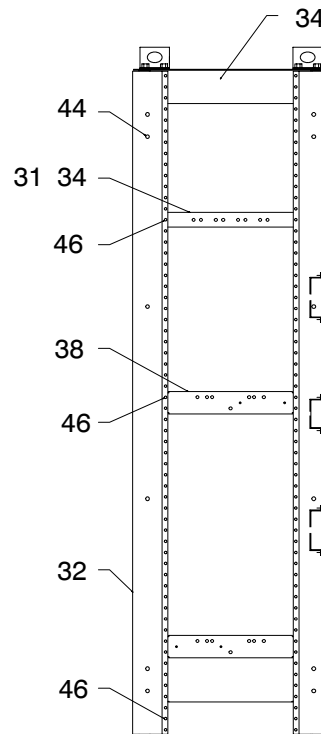
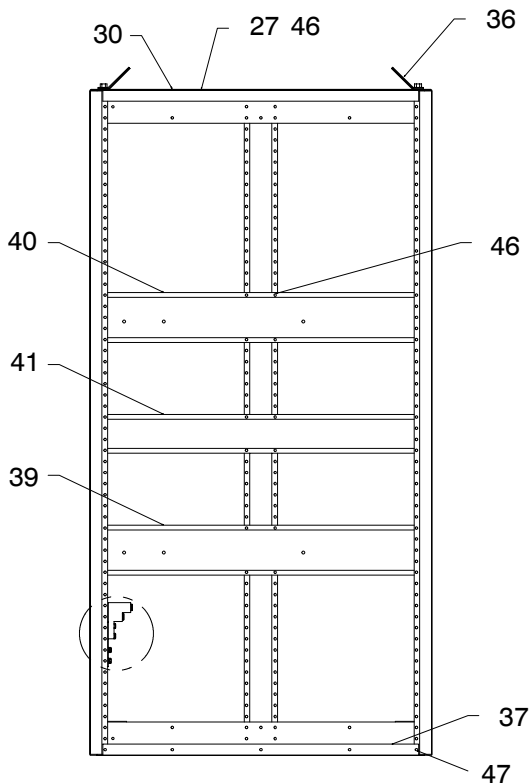
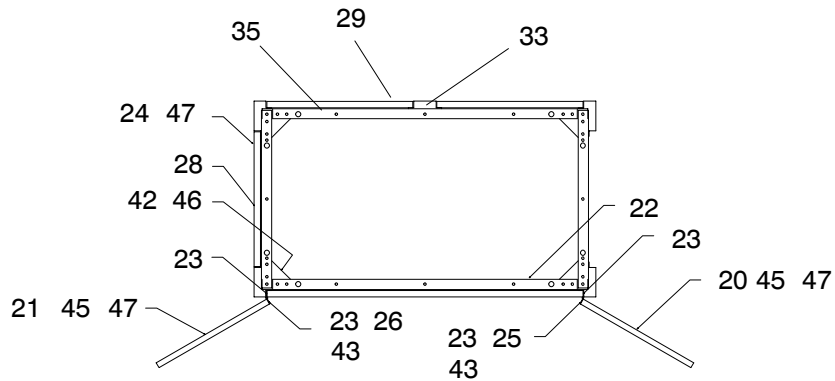
Item	Description	Part Number	
		1000-1200 Amps.	
1	Ring, lock	151511	
2	Lamp	295324	(4)
3	Lamp, socket	295325	(4)
4	Lens	295326	(2)
5	Lens	295327	
6	Lens	295328	
7	Switch, toggle	297680	
8	Tie (expense), cable	X-468-1	(4)
9	Decal	294340	
10	Latch, T-handle	X-6132-4	
11	Decal, Transfer Switch	273746	
12	Decal, stripes	X-6232-2	
13	Decal, Kohler Power System	X-6246-4	
14	Decal, contactor	294602	
15	Decal, notice	294414	
16	Nameplate, serial no.	295392	(4)
17	Decal, U.L.	297009	
18	Decal, 1-800 number	224233	
19	Tag, hang	297949	
20	Door, right	294288	
21	Door, left	294334	
22	Channel, front, top, back	294335	(2)
23	Screw, flat head machine	295098	(32)
24	Clip, speed	297596	(48)
25	Hinge, split	297600	(4)
26	Hinge, split	297601	(4)
27	Clip, speed	297952	(12)
28	Panel, side	298349	(4)
29	Panel, back	298350	(4)
30	Plate, top	298352	
31	Bus, ground	298424	
32	Channel, corner	298425	(4)

Common hardware, procure locally

*Use part number on models with serial number K27147 or earlier.

Enclosures

Nonautomatic, NEMA Type 1, 1000-1200 Amps.



AW-295000

Nonautomatic, NEMA Type 1, 1000-1200 Amps.

Enclosures

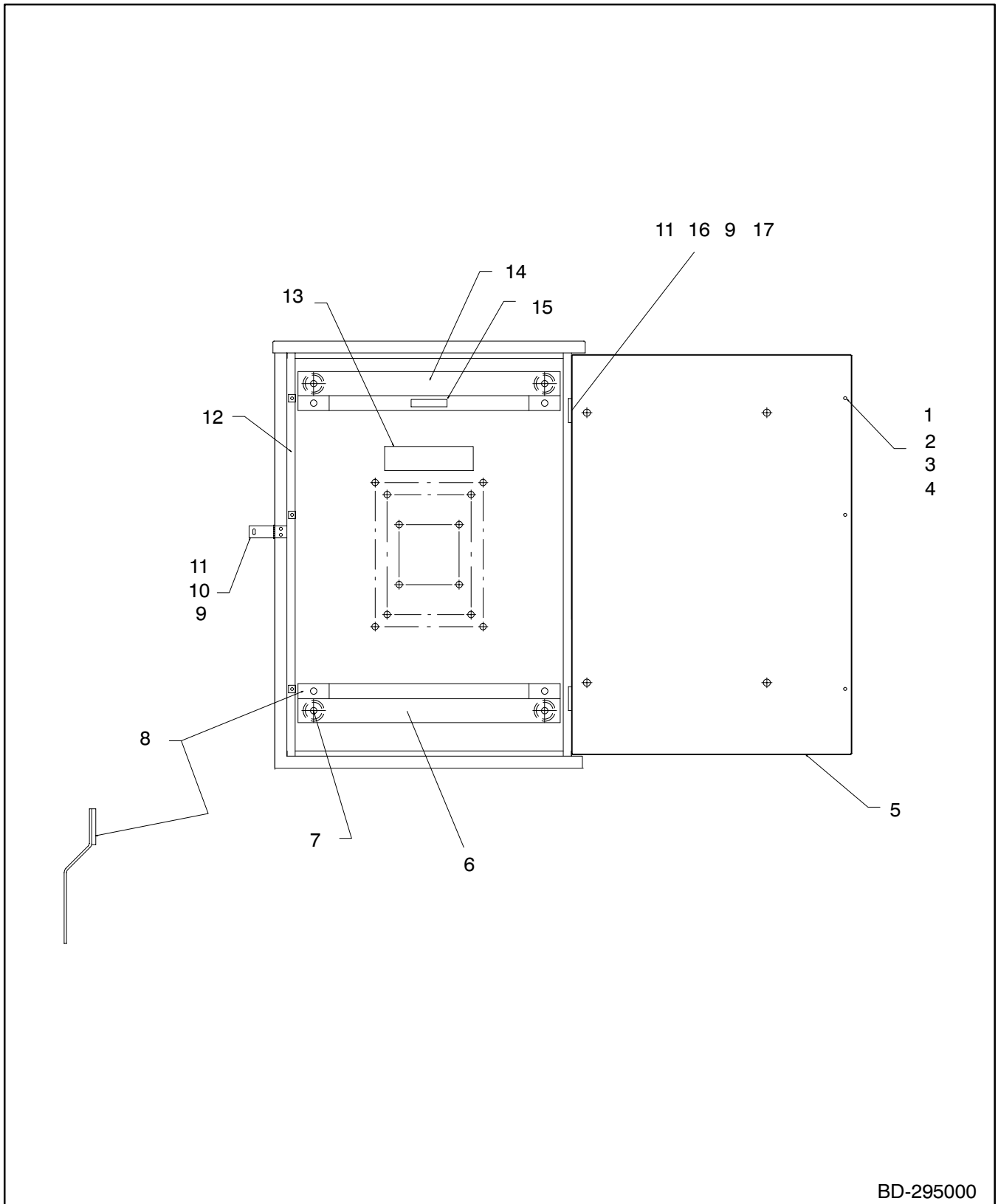
Item	Description	Part Number	
		1000-1200 Amps.	
33	Channel center vertical	298427	
34	Channel, top & bottom	298429	(4)
35	Channel, top & bottom	298430	(2)
36	Bracket, lifting	298433	(8)
37	Panel, spacer	298434	
38	Channel, 3" side	298437	(3)
39	Bracket, bottom mounting	298440	
40	Bracket, top mounting	298441	
41	Bracket, support	298443	
42	Brace, corner	298722	(4)
43	Washer, plain .220 x .438 x .047	X-25-7	(12)
44	Button, plug	X-301-23	(24)
45	Retainer, nut	X-6204-1	(4)
46	Screw, hex washer 1/4-20 x .75	X-791-2	(148)
47	Screw, hex washer 1/4-20 x 1.5	X-791-3	(61)

Common hardware, procure locally

*Use part number on models with serial number K27147 or earlier.

Enclosures

Nonautomatic, NEMA Type 3R, 30-800 Amps.



BD-295000

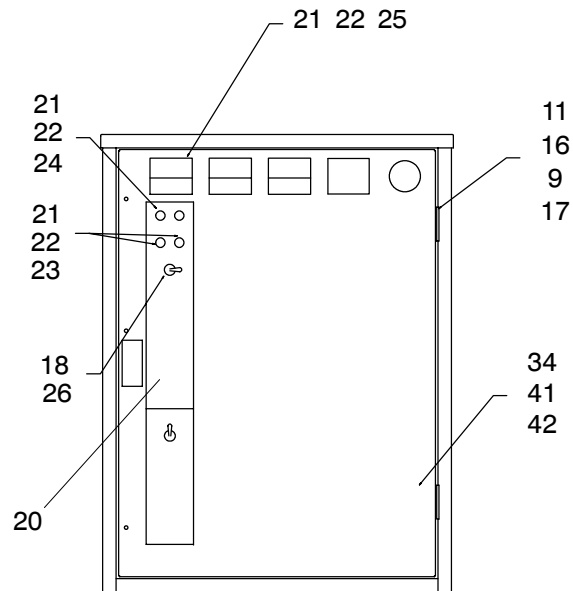
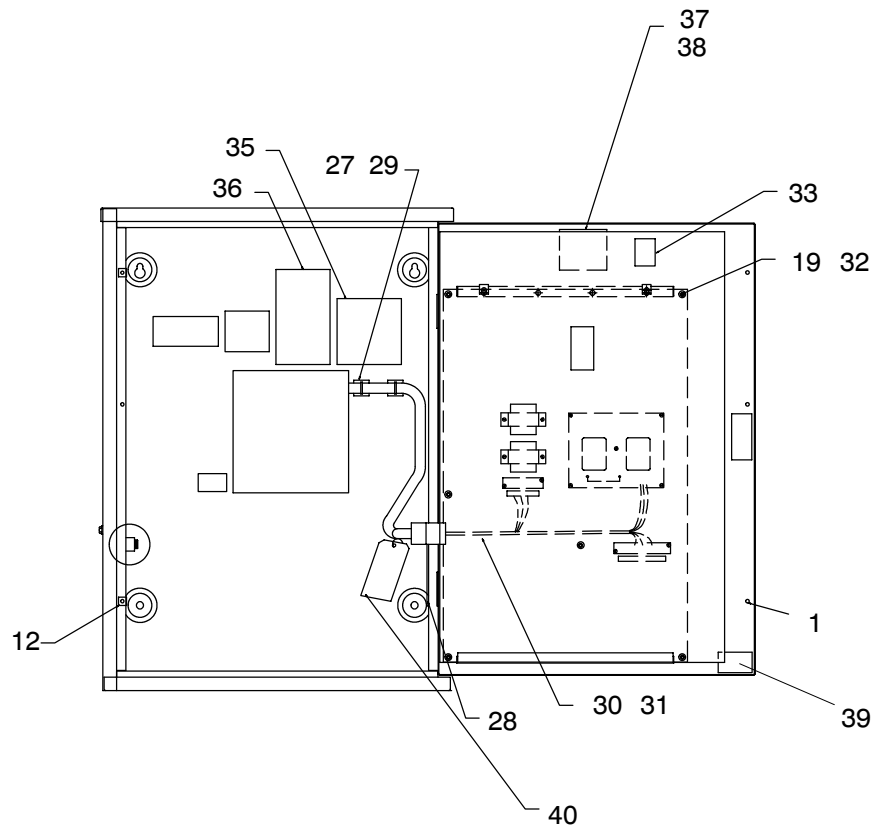
Nonautomatic, NEMA Type 3R, 30-800 Amps.

Enclosures

Item	Description	Part Number		
		30-150 Amps.	225-400 Amps.	600-800 Amps.
1	Retainer	295010 (3)	295010 (3)	295009 (2)
2	Gasket, washer	297001 (3)	297001 (3)	297002 (3)
3	Washer, plain .220 x .375 x .031	X-25-58 (3)	X-25-58 (3)	-----
4	Screw, R.H.M. 10-24 x 1/2	X-50-25 (3)	X-50-25 (3)	X-50-25 (3)
5	Door, enclosure	294323	294311	294330
6	Bracket, mounting	295081 (2)	295081 (2)	295082 (2)
7	Washer, plain .391 x .875 x .062	X-25-18 (4)	X-25-18 (4)	X-25-18 (4)
8	Gasket	295364 (4)	295364 (4)	295364 (4)
9	Nut, hex. 10-24	-----	X-70-2 (4)	-----
10	Hasp	297798	297798	297798
11	Screw, flat head machine	295098 (14)	295098 (8)	295098 (14)
12	Clip, speed	257442 (3)	257442 (3)	X-6220-1 (3)
13	Decal	295932	295932	295932
14	Enclosure, transfer	294319	294307	295999
15	Decal	295350	295350	295350
16	Hinge, split	297600 (2)	297600 (2)	297600 (3)
17	Washer, plain .220 x .438 x .047	-----	X-25-7 (4)	X-25-7 (6)
18	Ring, lock	151511	151511	151511
19	Spacer, .281 x. 500 x. 375	265861 (6)	265861 (6)	265861 (6)
20	Decal	294340	294340	294340
21	Lamp	295324 (4)	295324 (4)	295324 (2)
22	Lamp, socket	295325 (4)	295325 (4)	295325 (2)
23	Lens	295326 (2)	295326 (2)	-----
24	Lens	295327	295327	295327
25	Lens	295328	295328	295328
26	Switch, toggle	297680	297680	297680
27	Base, tie wrap	298776 (4)	298776 (4)	298776 (4)
28	Envelope, Instruction	298777	298777	298777
29	Tie (expense), cable	X-468-1 (8)	X-468-1 (8)	X-468-1 (8)
30	Tie	X-468-3	X-468-3	X-468-3
31	Screw, R.H.M. 8-32 x 1/2	X-51-15	X-51-15	X-51-15
32	Nut, hex	X-76-2 (6)	X-76-2 (6)	X-76-2 (6)

Enclosures

Nonautomatic, NEMA Type 3R, 30-800 Amps.

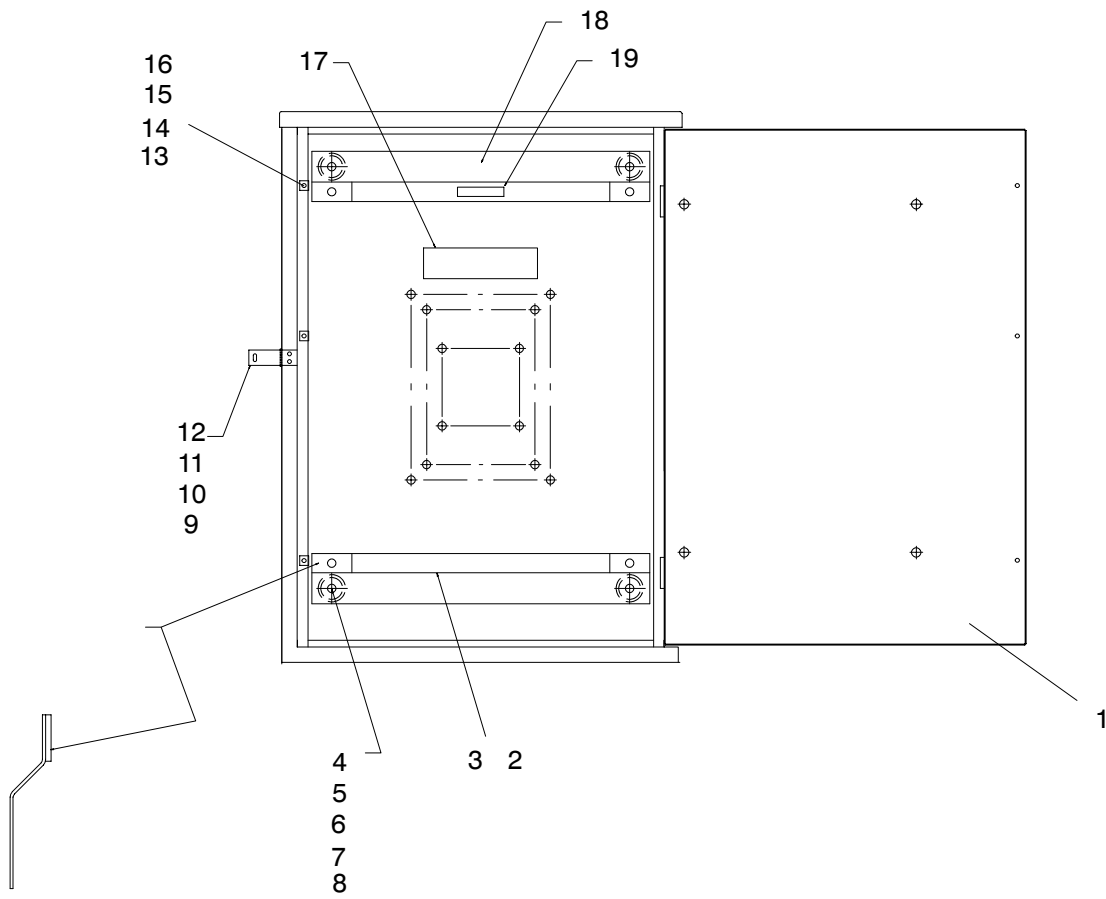


BG-295000

Nonautomatic, NEMA Type 3R, 30-800 Amps.

Enclosures

Item	Description	Part Number		
		30-150 Amps.	225-400 Amps.	600-800 Amps.
33	Decal, 1-800 number	224233	224233	224233
34	Decal, Transfer Switch	273746	273746	273746
35	Decal, notice	294414	294414	294414
36	Decal, contactor	294602	294602	294602
37	Nameplate	295232	295232	295232
38	Nameplate, serial no.	295392 (4)	295392 (4)	295392 (4)
39	Decal, UL	297009	297009	297009
40	Tag, hang	297949	297949	297949
41	Decal, stripes	X-6232-1	X-6232-1	X-6232-2
42	Decal, Kohler Power System	X-6246-3	X-6246-3	X-6246-4



BD-295000

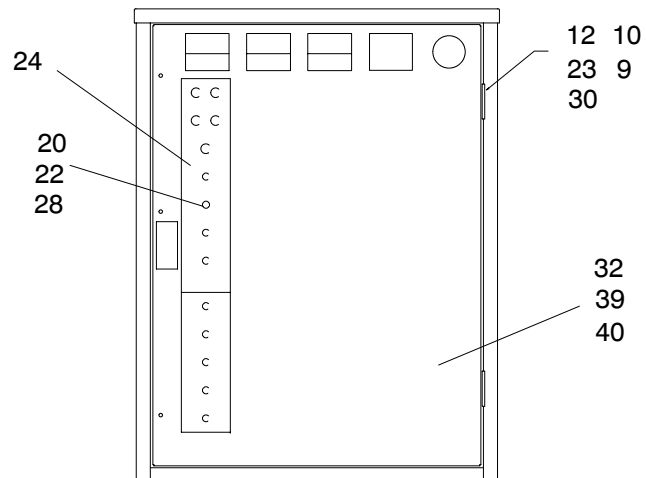
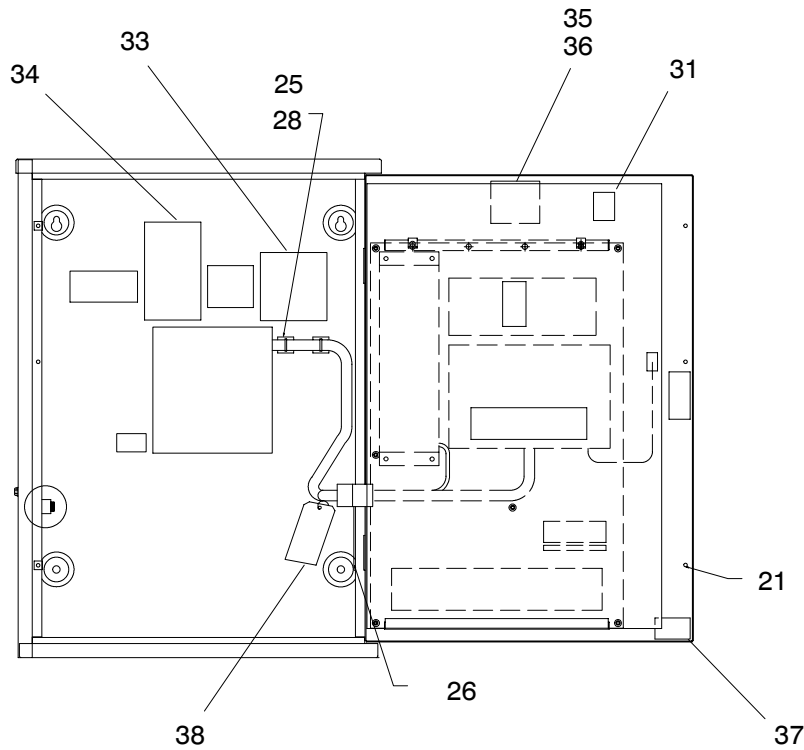
Automatic, NEMA Type 3R, 30-800 Amps.

Enclosures

Item	Description	Part Number		
		30-150 Amps.	225-400 Amps.	600-800 Amps.
1	Door, enclosure	294323	294311	294330
	Door, enclosure	*295994	*295996	*295998
2	Gasket	295364 (4)	295364 (4)	295364 (4)
3	Bracket, mounting	295081 (2)	295081 (2)	295082 (2)
4	Washer, plain	X-25-18 (4)	X-25-18 (4)	X-25-18 (4)
5	Washer 3/8 lock	# (4)	# (4)	# (4)
6	Screw 3/8-16 x 1" H.C.	# (4)	# (4)	# (4)
7	Screw 3/8-16 hex.	#	#	#
8	Washer 17/64 x 5/8 x 1/16 plain	-----	-----	# (3)
9	Washer #10, lock	# (14)	# (20)	# (20)
10	Nut, hex. 10-24	X-70-2 (4)	X-70-2 (4)	X-70-2 (4)
11	Hasp	297798	297798	297798
12	Screw, flat head machine	295098 (14)	295098 (8)	295098 (20)
13	Screw, R.H.M. 10-24 x 1-1/2	X-50-25 (3)	X-50-25 (3)	X-50-25 (3)
14	Washer, plain	X-25-58 (3)	X-25-58 (3)	X-25-53 (3)
15	Gasket, washer	297001 (3)	297001 (3)	297002 (3)
16	Clip, speed	257442 (3)	257442 (3)	X-6220-1 (3)
17	Decal	295932	295932	295932
18	Enclosure, transfer	294319	294307	295999
	Enclosure, transfer	*295995	*295997	*295999
19	Decal	295350	295350	295350
20	Ring, lock	151511	151511	151511
21	Retainer	295010 (3)	295010 (3)	295009 (2)
22	Switch, toggle	295068	295068	295068
23	Hinge, split	297600 (2)	297600 (2)	297600 (3)
24	Decal	297938	297938	297938
	Nameplate	*295086	*295331	-----
25	Base, tie wrap	298776 (4)	298776 (4)	298776 (4)
26	Envelope, instruction	298777	298777	298777
27	Enclosure complete (Includes items 18, 1, 21, 3, 19, 2, 17, 15, 23, 11)	B-295173	B-295172	B-295171
	Enclosure complete (Includes items 18, 1, 21, 3, 19, 2, 17, 15, 23, 11)	*A-295173	*A-295172	*A-295171
28	Tie (expense), cable	X-468-1 (8)	X-468-1 (8)	X-468-1 (8)

Common hardware, procure locally

*Use part number on models with serial number K27147 or earlier.



BA-295000

Automatic, NEMA Type 3R, 30-800 Amps.

Enclosures

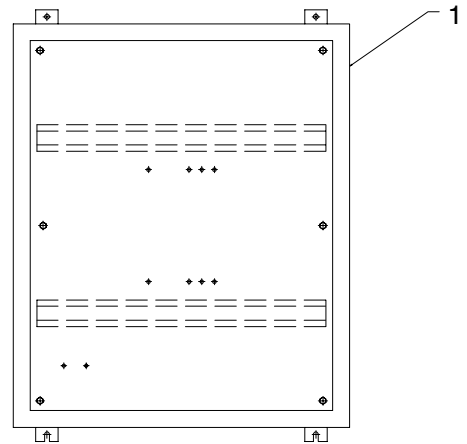
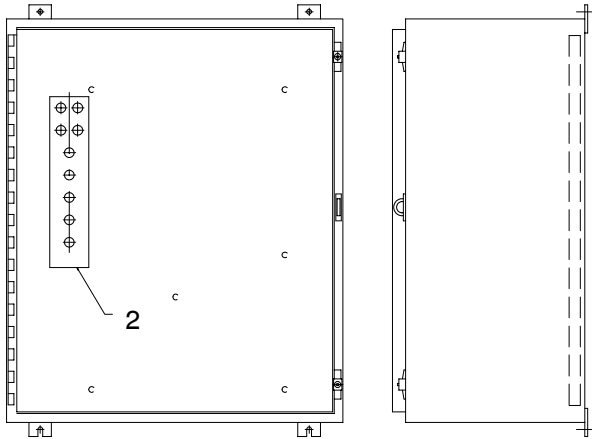
Item	Description	Part Number		
		30-150 Amps.	225-400 Amps.	600-800 Amps.
29	Screw, R.H.M. 8-32 x 1/2 (Item not shown)	X-51-15	X-51-15	X-51-15
30	Washer, plain .220 x .438 x .047	X-25-7 (4)	X-25-7 (4)	X-25-7 (4)
31	Decal, 1-800 number	224233	224233	224233
32	Decal, Transfer Switch	273746	273746	273746
33	Decal, notice	294414	294414	294414
34	Decal, contactor	294602	294602	294602
35	Nameplate	295232	295232	295232
36	Nameplate, serial no.	295392 (4)	295392 (4)	295392 (4)
37	Decal, UL	297009	297009	297009
38	Tag, hang	297949	297949	297949
39	Decal, stripes	X-6232-1	X-6232-1	X-6232-2
40	Decal, Kohler Power System	X-6246-3	X-6246-3	X-6246-4
41	Nut 8-32 hex. (Item not shown)	#	#	#

Common hardware, procure locally

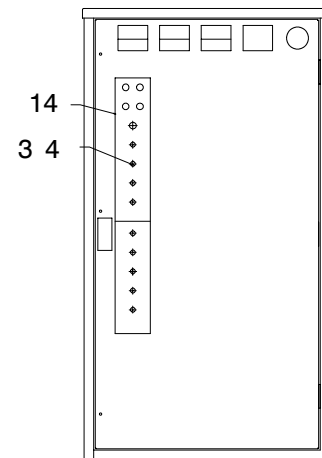
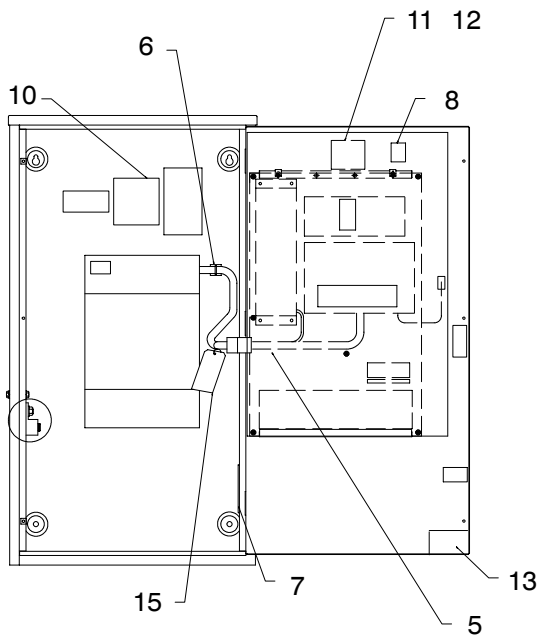
*Use part number on models with serial number K27147 or earlier.

Enclosures

Automatic, NEMA Type 12, 30-400 Amps.



AF-295000



BA-295000

Automatic, NEMA Type 12, 30-400 Amps.

Enclosures

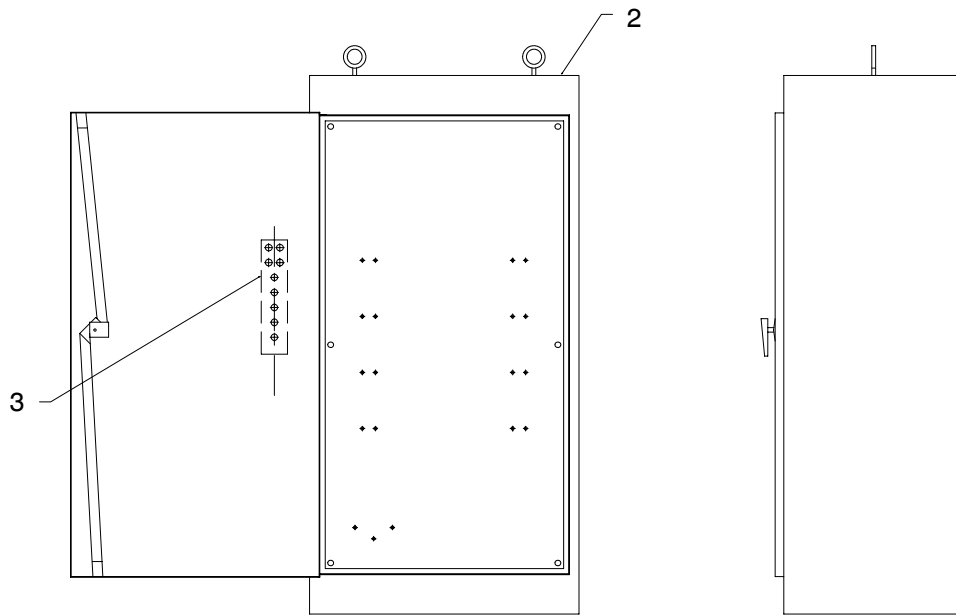
Item	Description	Part Number	
		30-150 Amps.	225-400 Amps.
1	Enclosure	297913	297915
2	Decal	297938	297938
3	Switch, operator	298036	298036
4	Contact assembly	298046	298046
5	Harness, wiring	298531	295771
6	Base, tie wrap	298776 (2)	298776 (2)
7	Envelope, instruction	298777	298777
8	Decal, 1-800 number	224233	224233
9	Decal, notice	294414	294414
10	Decal, contactor	294602	294602
11	Nameplate	295232	295232
12	Nameplate, serial no.	295392	295392
13	Decal, UL	297009	297009
14	Decal	297938	297938
15	Tag, hung	297949	297949

Common hardware, procure locally

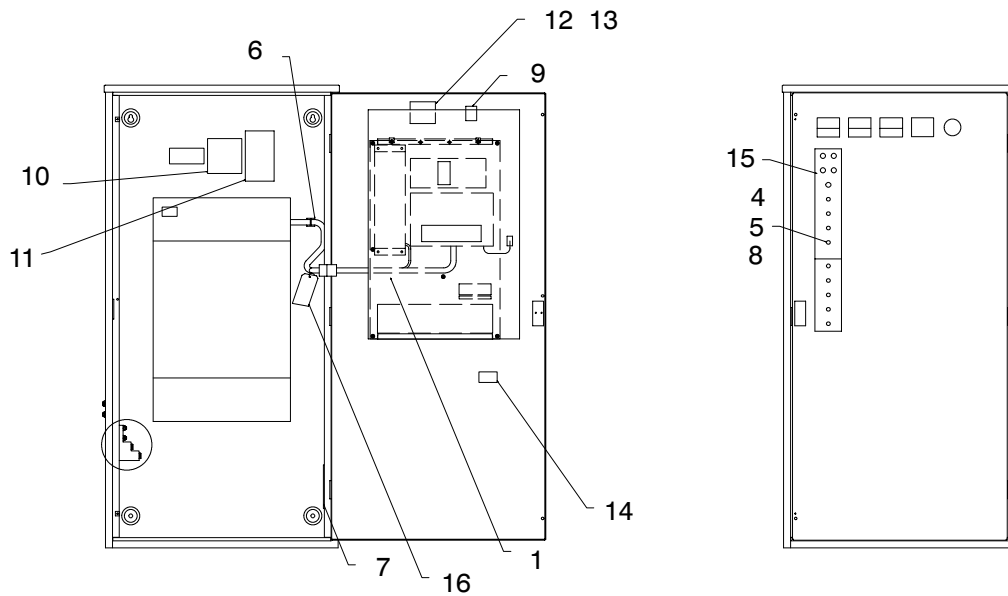
*Use part number on models with serial number K27147 or earlier.

Enclosures

Automatic, NEMA Type 12, 600-800 Amps.



AH-295000



BA-295000

Automatic, NEMA Type 12, 600-800 Amps.

Enclosures

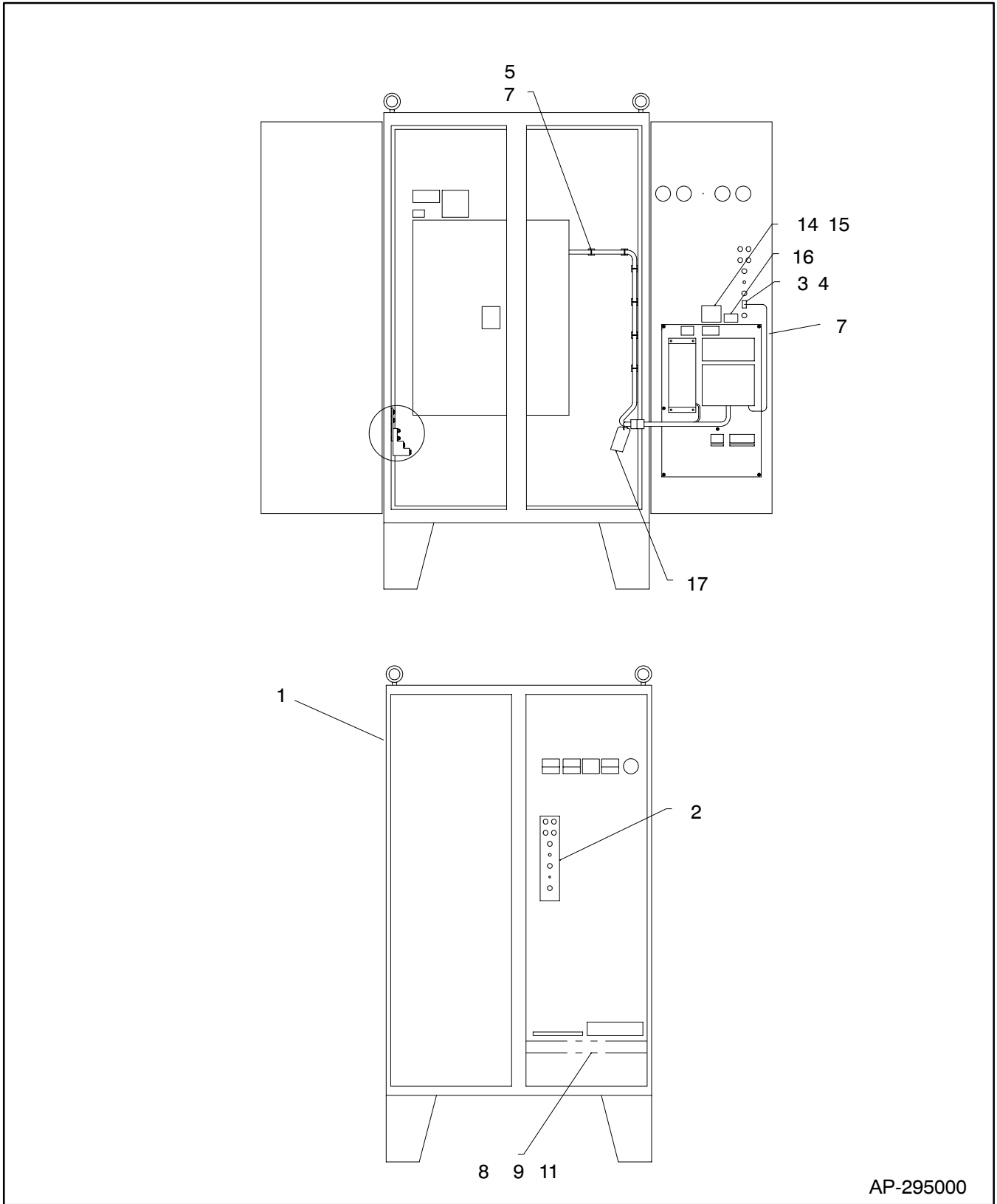
Item	Description	Part Number
		600-800 Amps.
1	Harness, wiring (5 Feet)	295771
2	Enclosure	297917
3	Decal	297938
4	Switch, operator	298036
5	Contact assembly	298046
6	Base, tie wrap	298776 (2)
7	Envelope, instruction	298777
8	Tie (expense), cable	X-468-1 (6)
9	Decal 1-800 number	224233
10	Decal, notice	294414
11	Decal, contactor	294602
12	Nameplate	295232
13	Nameplate, serial no.	295392
14	Decal, UL	297009
15	Decal	297938
16	Tag, hang	297949

Common hardware, procure locally

*Use part number on models with serial number K27147 or earlier.

Enclosures

Automatic, NEMA Type 12, 1000-1200 Amps.



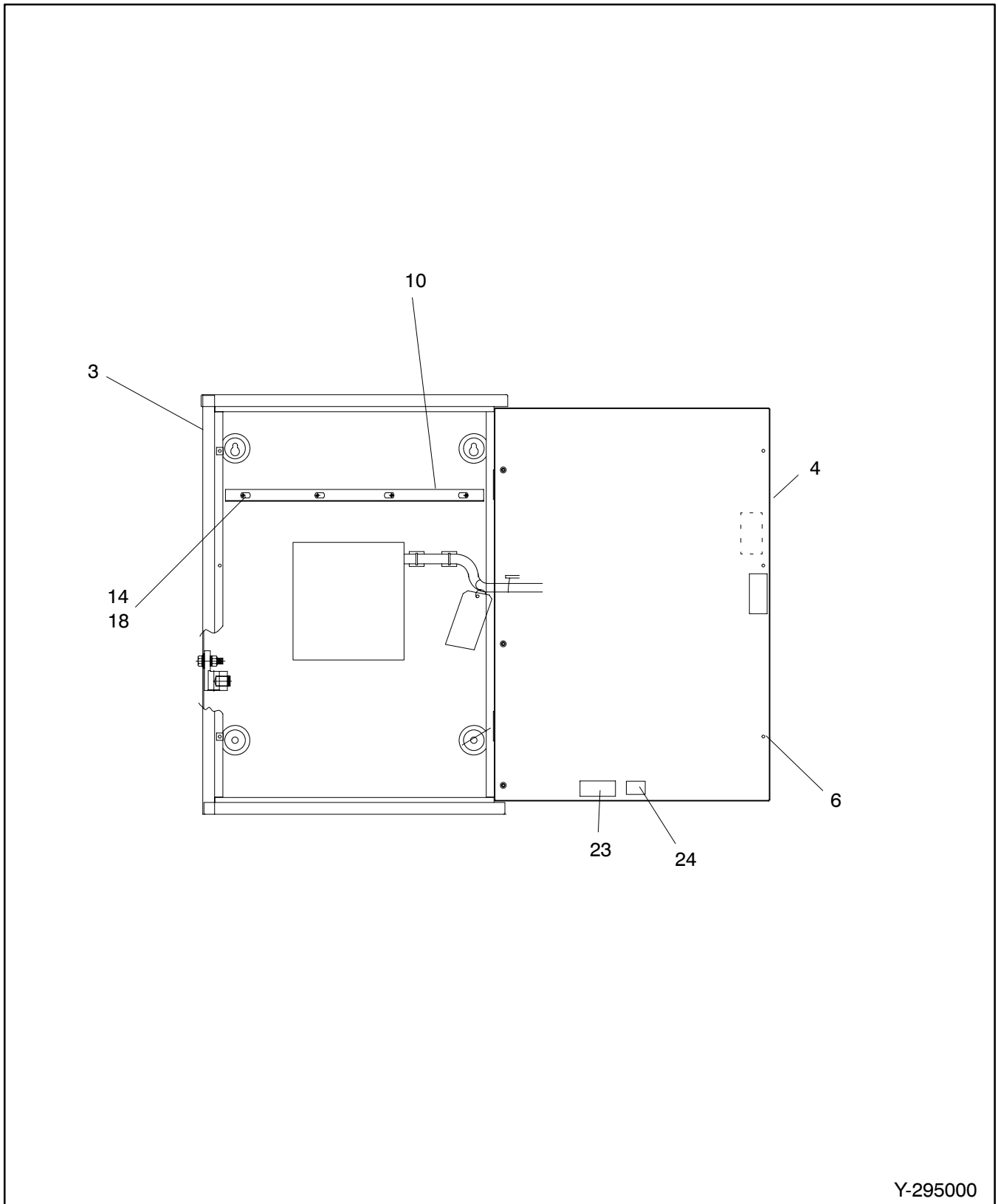
Automatic, NEMA Type 12, 1000-1200 Amps.

Enclosures

Item	Description	Part Number
		1000-1200 Amps.
1	Enclosure	297920
2	Decal	297938
3	Switch, operator	298036
4	Contact assembly	298046
5	Base, tie wrap	298776 (2)
6	Envelope, instruction (Item not shown)	298777
7	Tie (expense), cable	X-468-1 (6)
8	Decal, stripes	X-6232-2
9	Decal, Kohler Power System	X-6246-4
10	Decal, 1-800 number (Item not shown)	224233
11	Decal, Transfer Switch	273746
12	Decal, notice (Item not shown)	294414
13	Decal, contactor (Item not shown)	294602
14	Nameplate	295232
15	Nameplate, serial no.	295392 (4)
16	Decal, UL	297009
17	Tag, hang	297949

Common hardware, procure locally

*Use part number on models with serial number K27147 or earlier.



Y-295000

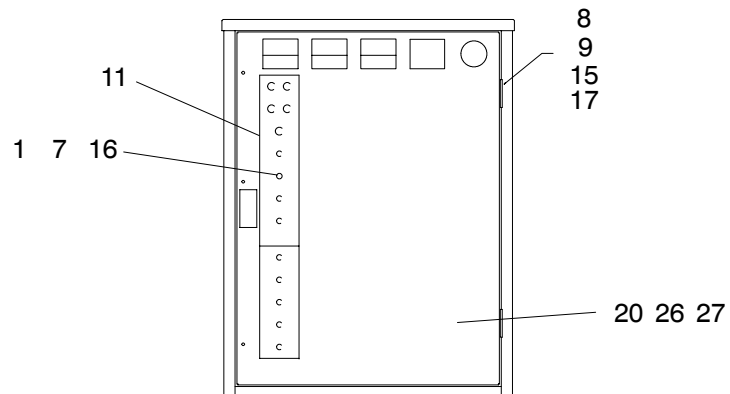
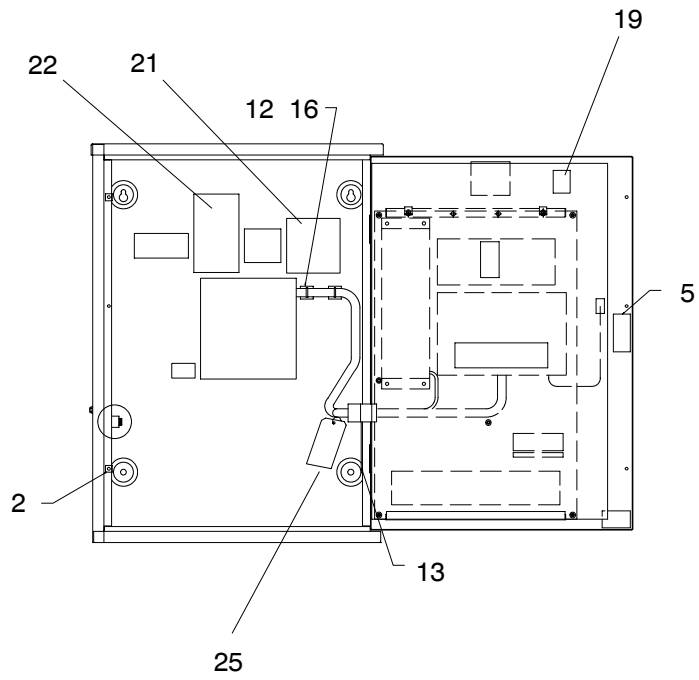
Automatic, NEMA Type 1, CSA 30-800 Amps.

Enclosures

Item	Description	Part Number			
		30-150 Amps.	225 Amps.	400 Amps.	600-800 Amps.
1	Ring, lock	151511	151511	151511	151511
2	Clip, speed	257442 (2)	257442 (2)	257442 (2)	X-6220-1 (2)
3	Enclosure, transfer	294318	294306	294306	295015
4	Door, enclosure	294324	294312	294312	294291
5	Latch, locking	295004	295004	295004	295004
6	Retainer	295010 (2)	295010 (2)	295010 (2)	295009 (2)
7	Switch, toggle	295068	295068	295068	295068
8	Screw, flat head machine	295098 (8)	295098 (8)	295098 (8)	295098 (12)
	Key (Item not shown)	296235	296235	296235	296235
9	Hinge, split	297600 (2)	297600 (2)	297600 (2)	297600 (3)
10	Stiffener, 4 hole	297870	297870	297870	*298693 (2)
	Stiffener, 3 hole (Item not shown)	*297871 (2)	*297871 (2)	*297871 (2)	*298694 (2)
11	Decal	297938	295331	295331	297938
12	Base, tie wrap	298776 (4)	298776 (2)	298776 (4)	298776 (2)
13	Envelope, instruction	298777	298777	298777	298777
14	Washer, lock shakeproof	X-22-9 (4)	X-22-9 (4)	X-22-9 (4)	Not required
15	Washer, plain	X-25-7 (4)	X-25-7 (4)	X-25-7 (4)	X-25-7 (6)
16	Tie (expense), cable	X-468-1 (8)	X-468-1 (6)	X-468-1 (8)	X-468-1 (6)
17	Nut, hex. 10-24	X-70-2 (4)	X-70-2 (4)	X-70-2 (4)	X-70-2 (6)
18	Screw, R.H.M. 10-24	X-50-13 (4)	X-50-13 (4)	X-50-13 (4)	Not required
19	Decal, 1-800 number	224233	224233	224233	224233
20	Decal, Transfer Switch	273746	273746	273746	273746
21	Decal, notice	294414	294414	294414	294414
22	Decal, contactor	294602	294602	294602	294602
23	Decal, CSA	297721	297721	297721	297721
24	Nameplate, CSA	297722	297722	297722	297722
25	Tag, hang	297949	297949	297949	297949
26	Decal, stripes	X-6232-1	X-6232-1	X-6232-1	X-6232-2
27	Decal, Kohler Power System	X-6246-3	X-6246-4	X-6246-4	X-6246-4

Common hardware, procure locally

*Use part number on models with serial number K27147 or earlier.



BA-295000

Automatic, NEMA Type 1, CSA 30-800 Amps.

Enclosures

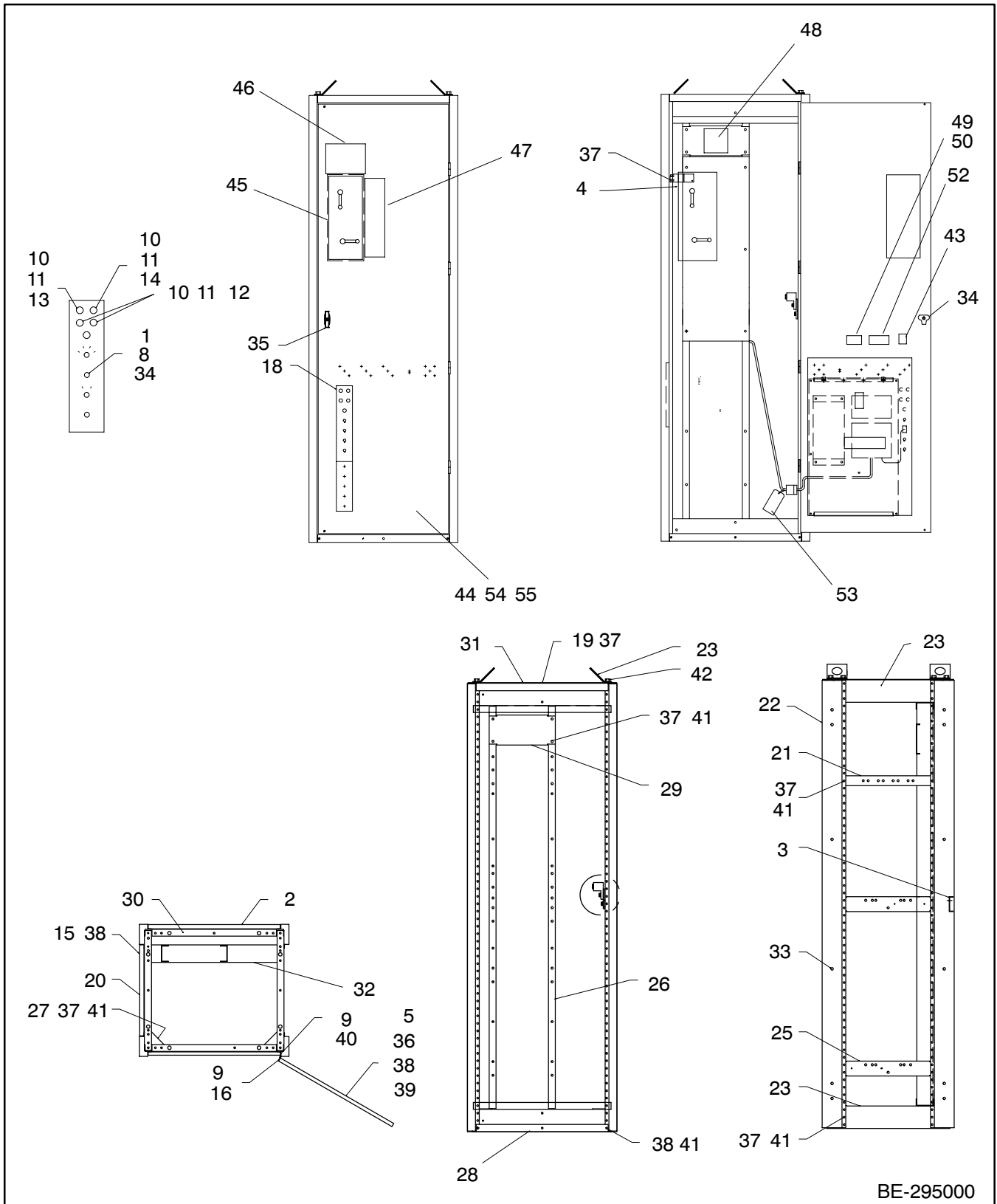
Item	Description	Part Number			
		30-150 Amps.	225 Amps.	400 Amps.	600-800 Amps.
1	Ring, lock	151511	151511	151511	151511
2	Clip, speed	257442 (2)	257442 (2)	257442 (2)	X-6220-1 (2)
3	Enclosure, transfer	294318	294306	294306	295015
4	Door, enclosure	294324	294312	294312	294291
5	Latch, locking	295004	295004	295004	295004
6	Retainer	295010 (2)	295010 (2)	295010 (2)	295009 (2)
7	Switch, toggle	295068	295068	295068	295068
8	Screw, flat head machine	295098 (8)	295098 (8)	295098 (8)	295098 (12)
	Key (Item not shown)	296235	296235	296235	296235
9	Hinge, split	297600 (2)	297600 (2)	297600 (2)	297600 (3)
10	Stiffener, 4 hole	297870	297870	297870	*298693 (2)
	Stiffener, 3 hole (Item not shown)	*297871 (2)	*297871 (2)	*297871 (2)	*298694 (2)
11	Decal	297938	295331	295331	297938
12	Base, tie wrap	298776 (4)	298776 (2)	298776 (4)	298776 (2)
13	Envelope, instruction	298777	298777	298777	298777
14	Washer, lock shakeproof	X-22-9 (4)	X-22-9 (4)	X-22-9 (4)	Not required
15	Washer, plain	X-25-7 (4)	X-25-7 (4)	X-25-7 (4)	X-25-7 (6)
16	Tie, cable	X-468-1 (8)	X-468-1 (6)	X-468-1 (8)	X-468-1 (6)
17	Nut, hex. 10-24	X-70-2 (4)	X-70-2 (4)	X-70-2 (4)	X-70-2 (6)
18	Screw, R.H.M. 10-24	X-50-13 (4)	X-50-13 (4)	X-50-13 (4)	Not required
19	Decal, 1-800 number	224233	224233	224233	224233
20	Decal, Transfer Switch	273746	273746	273746	273746
21	Decal, notice	294414	294414	294414	294414
22	Decal, contactor	294602	294602	294602	294602
23	Decal, CSA	297721	297721	297721	297721
24	Nameplate, CSA	297722	297722	297722	297722
25	Tag, hang	297949	297949	297949	297949
26	Decal, stripes	X-6232-1	X-6232-1	X-6232-1	X-6232-2
27	Decal, Kohler Power System	X-6246-3	X-6246-4	X-6246-4	X-6246-4

Common hardware, procure locally

*Use part number on models with serial number K27147 or earlier.

Enclosures

Automatic Transfer and Bypass Isolation, NEMA Type 1, 150-400 Amps.



Automatic Transfer and Bypass Isolation, NEMA Type 1, 150-400 Amps.

Enclosures

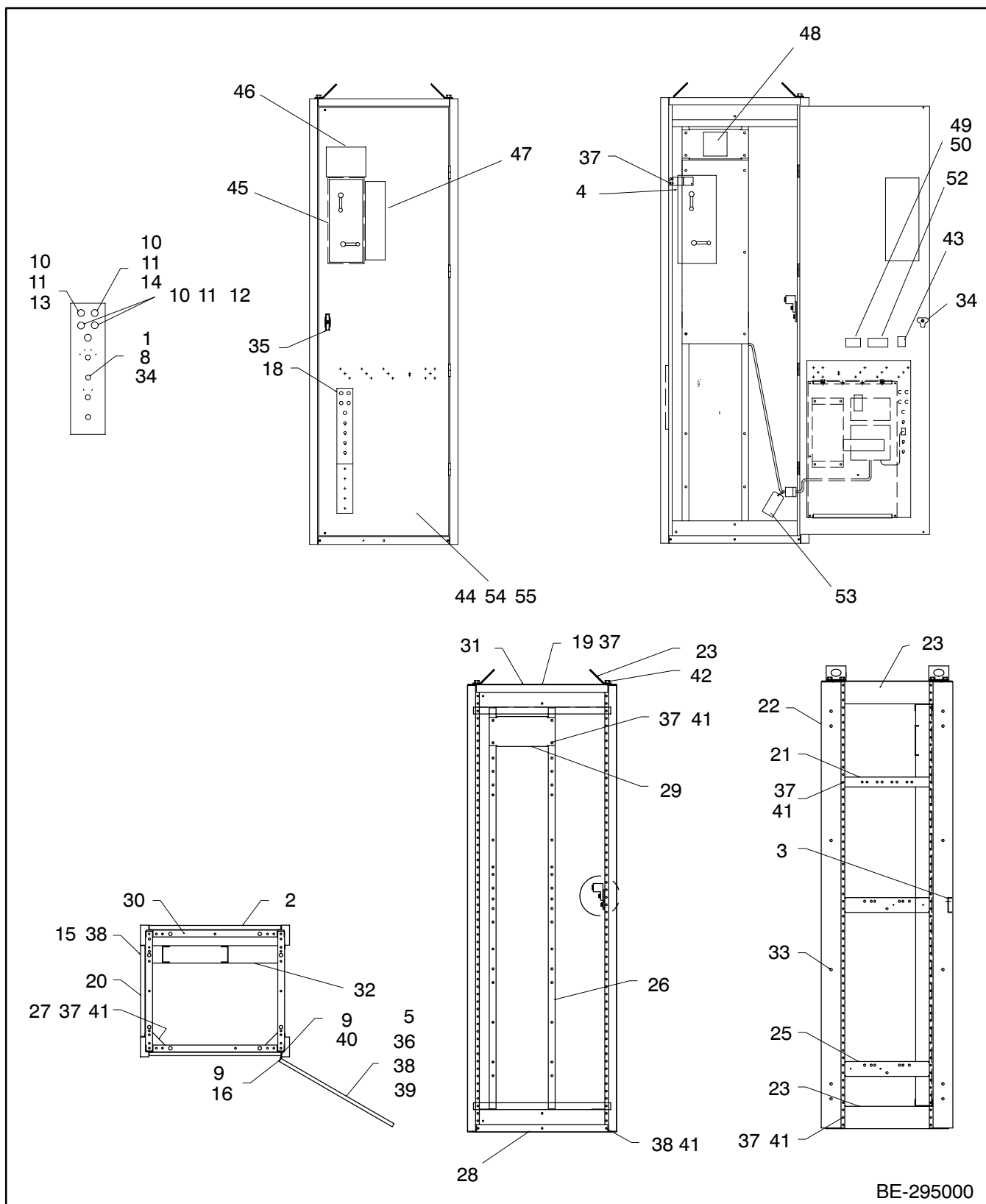
Item	Description	Part Number	
		150-400 Amp.	
1	Ring, lock	151511	
2	Panel, back	262719	(2)
3	Channel, front & back	262722	
4	Bracket	294348	
5	Door	294372	
	Door	*297687	
6	Panel, front (Item not shown)	*297685	
7	Gasket, rubber (Item not shown)	*297919	
8	Switch, toggle	295068	
9	Screw, flat head machine	295098	(24)
10	Lamp	295324	(4)
11	Lamp, socket	295325	(4)
12	Lens	295326	(2)
13	Lens	295327	
14	Lens	295328	
15	Clip, speed	297596	(36)
16	Hinge, split	297600	(4)
	Hinge, split L.H.	*297601	
17	Decal (Item not shown)	297875	
18	Decal	297938	
19	Clip, speed	297952	(8)
20	Panel, side	298349	(4)
21	Bus, ground	298424	
22	Channel, corner	298425	(4)
23	Channel, top & bottom	298429	(4)
24	Bracket, lifting (Item not shown)	298433	(8)
25	Channel, 3" side	298437	(3)
26	Channel, vertical	298451	(2)
27	Brace, corner	298722	(2)
28	Panel, spacer	298896	
29	Channel	298897	
30	Channel	298942	(4)
31	Plate, top	298946	

Common hardware, procure locally

*Use part number on models with serial number K27147 or earlier.

Enclosures

Automatic Transfer and Bypass Isolation, NEMA Type 1, 150-400 Amps.



BE-295000

Automatic Transfer and Bypass Isolation, NEMA Type 1, 150-400 Amps.

Enclosures

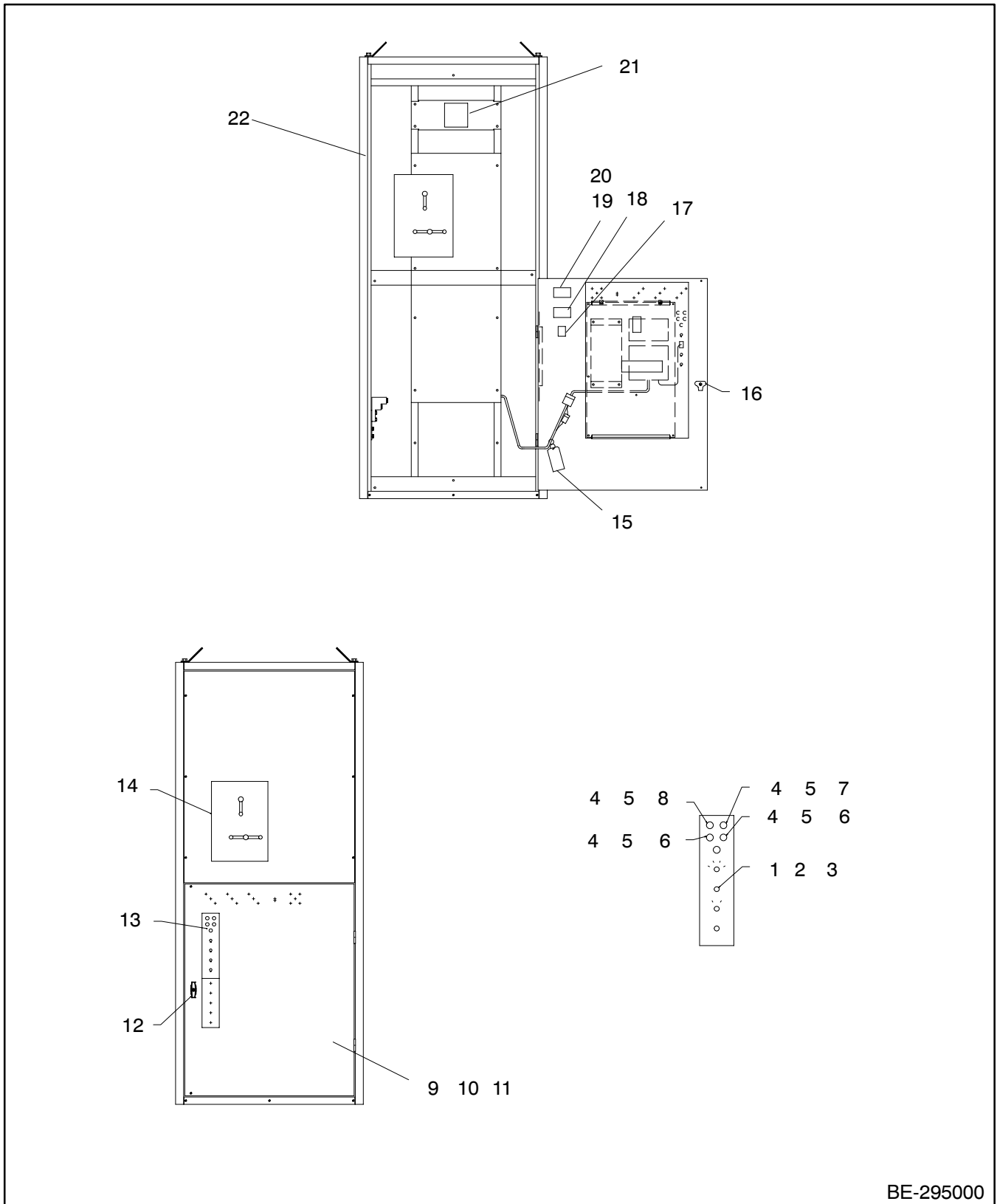
Item	Description	Part Number	
		150-400 Amp.	
32	Channel	298948	(2)
33	Button, plug	X-301-23	(24)
34	Tie (expense), cable	X-468-1	(4)
35	Latch, T-handle	X-6132-4	
	Latch	*295004	
36	Retainer, nut	X-6204-1	(2)
37	Screw, hex washer	X-791-2	(130)
38	Screw, hex washer	X-791-3	(47)
39	Washer, lock 1/4"	#	(2)
40	Nut 10-24	#	(8)
41	Nut 1/4-20	#	(143)
42	3/8-16 hardware	#	(8)
43	Decal, 1-800 number	224233	
44	Decal, Transfer Switch	273746	
45	Decal, Bypass Isolation	294165	
46	Decal, Instructions	294166	
47	Decal, Sequence	294167	
48	Decal, notice	294414	
49	Nameplate, Automatic	295232	
50	Nameplate, serial no.	295392	(4)
51	Decal, Engine Start (Item not shown)	297558	
52	Decal, U.L.	297939	
53	Tag, hang	297949	
54	Decal, stripes	X-6232-2	
55	Decal, Kohler Power System	X-6246-4	
56	Enclosure	*297684	

Common Hardware, Procure Locally

*Use part number on models with serial number K27147 or earlier.

Enclosures

Automatic Transfer and Bypass Isolation, NEMA Type 1, 400-800 Amps.



BE-295000

Automatic Transfer and Bypass Isolation, NEMA Type 1, 400-800 Amps.

Enclosures

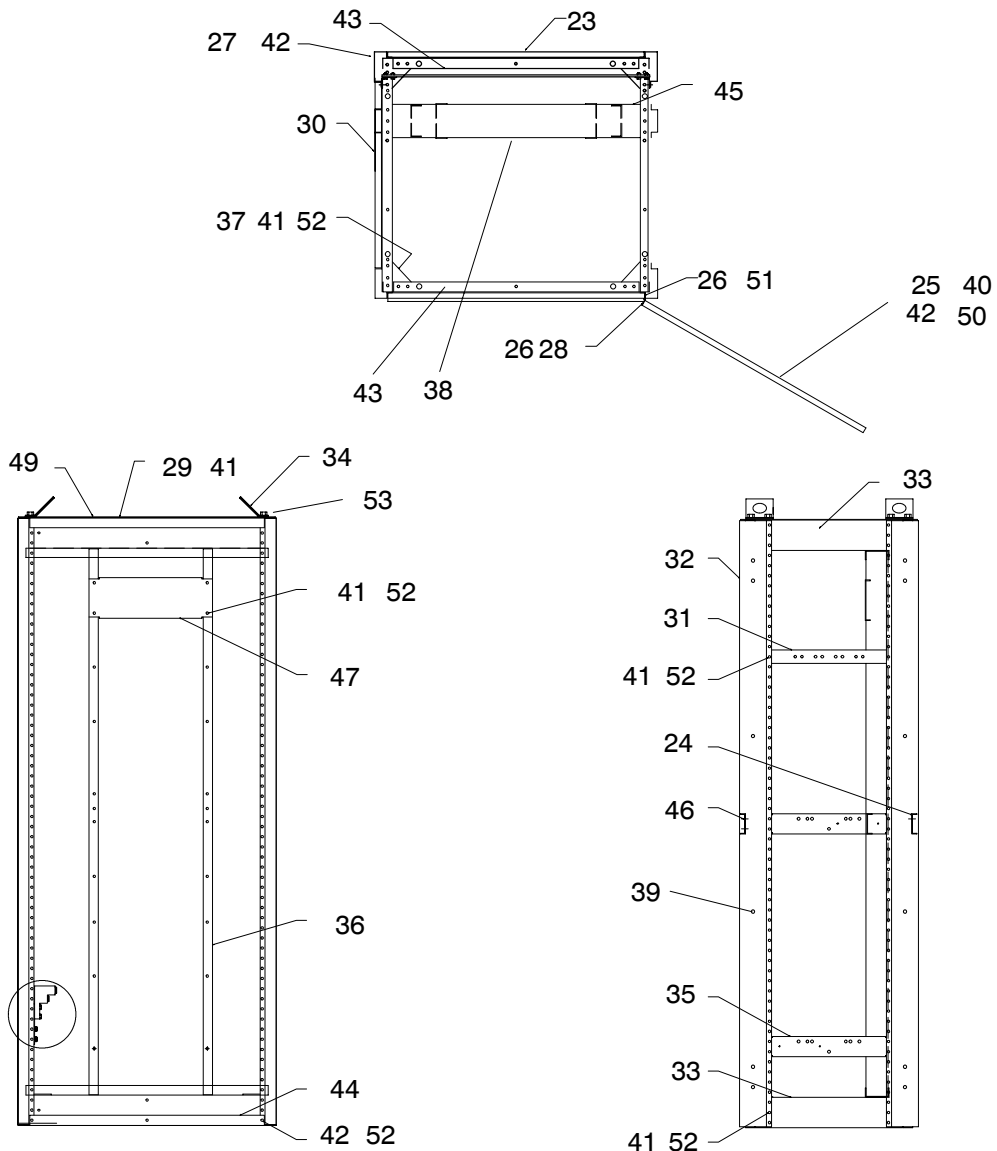
Item	Description	Part Number			
		400 Amp.	4 Pole 400 Amp.	600-800 Amp.	4 Pole 600-800 Amp.
1	Ring, lock	151511	151511	151511	151511
2	Switch, toggle	295068	295068	295068	295068
3	Tie (expense), cable	X-468-1 (4)	X-468-1 (4)	X-468-1 (4)	X-468-1 (4)
4	Lamp	295324 (4)	295324 (4)	295324 (4)	295324 (4)
5	Lamp, socket	295325 (4)	295325 (4)	295325 (4)	295325 (4)
6	Lens	295326 (2)	295326 (2)	295326 (2)	295326 (2)
7	Lens	295328	295328	295328	295328
8	Lens	295327	295327	295327	295327
9	Decal, Transfer Switch	273746	273746	273746	273746
10	Decal, stripes	X-6232-2	X-6232-2	X-6232-2	X-6232-2
11	Decal, Kohler Power System	X-6246-4	X-6246-4	X-6246-4	X-6246-4
12	Latch, T-handle	X-6132-4	X-6132-4	X-6132-4	X-6132-4
	Latch	*298001	*298001	*298001	*298001
13	Decal	297938	297938	297938	297938
	Decal	*297598	*297598	*297598	*297598
14	Decal, Operating Instructions	297875	297875	297875	297875
15	Tag, hang	297949	297949	297949	297949
16	Tie, cable	-----	-----	X-468-2	X-468-2
17	Decal, 1-800 number	224233	224233	224233	224233
18	Decal	297939	297939	297939	297939
19	Nameplate, serial no.	295392 (4)	295392 (4)	295392 (4)	295392 (4)
20	Nameplate	295232	295232	295232	295232
21	Decal, notice	294414	294414	294414	294414
22	Bracket	294348	294348	-----	-----
23	Panel, back	262719 (2)	262719 (2)	298351 (3)	298351 (3)
24	Channel, front & back	262722	262722	261836	261836
25	Door	294372	294372	294289	294289
	Door	*298462	*298462	*298462	*298462
26	Screw, flat head machine	295098 (24)	295098 (24)	295098 (12)	295098 (12)
27	Clip, speed	297596 (36)	297596 (36)	297596 (36)	297596 (36)
28	Hinge, split	297600 (4)	297600 (4)	297600 (2)	297600 (2)
29	Clip, speed	297952 (8)	297952 (8)	297952 (8)	297952 (8)
30	Panel, side	298349 (4)	298349 (4)	298349 (4)	298349 (4)

Common hardware, procure locally

*Use part number on models with serial number K27147 or earlier.

Enclosures

Automatic Transfer and Bypass Isolation, NEMA Type 1, 400-800 Amps.



AX-295000

Automatic Transfer and Bypass Isolation, NEMA Type 1, 400-800 Amps.

Enclosures

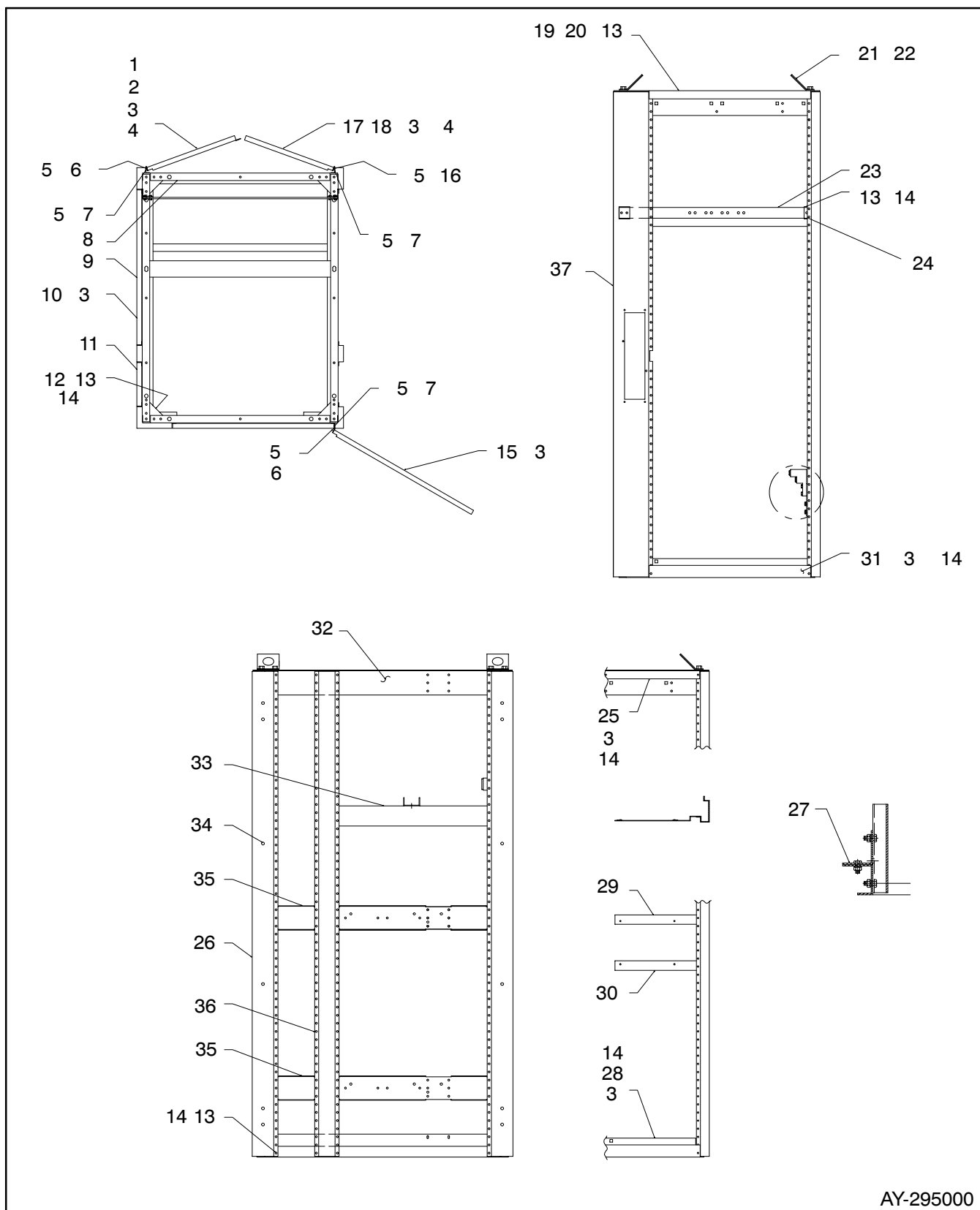
Item	Description	Part Number			
		400 Amp.	4 Pole 400 Amp.	600-800 Amp.	4 Pole 600-800 Amp.
31	Bus, ground	298424	298424	298424	298424
32	Channel, corner	298425 (4)	298425 (4)	298425 (4)	298425 (4)
33	Channel, top & bottom	298429 (4)	298429 (4)	298429 (4)	298429 (4)
34	Bracket, lifting	298433 (8)	298433 (8)	298433 (8)	298433 (8)
35	Channel, 3" side	298437 (3)	298437 (3)	298437 (3)	298437 (3)
36	Channel, vertical	298451 (2)	298451 (2)	298451 (2)	298451 (2)
37	Brace, corner	298722 (2)	298722 (2)	298722 (2)	298722 (2)
38	Channel	298948 (2)	298948 (2)	-----	-----
39	Button, plug	X-301-23 (24)	X-301-23 (24)	X-301-23 (24)	X-301-23 (24)
40	Retainer, nut	X-6204-1 (2)	X-6204-1 (2)	X-6204-1 (2)	X-6204-1 (2)
41	Screw, hex washer 1/4-20 x .75	X-791-2 (130)	X-791-2 (130)	X-791-2 (130)	X-791-2 (130)
42	Screw, hex washer 1/4-20 x 1.5	X-791-3 (47)	X-791-3 (47)	X-791-3 (47)	X-791-3 (47)
43	Channel, top & bottom	298942 (4)	298942 (4)	298432 (4)	298432 (4)
44	Panel, spacer	298896	298896	298438	298438
45	Channel, crossmember	298452	298452	298453 (2)	298453 (2)
46	Channel, front	298456	298456	298456	298456
47	Channel	298897	298897	298459	298460
48	Panel, top (Item not shown)	-----	-----	298467	298467
49	Plate, top	298946	298946	298496	298496
50	Washer 1/4 lock	# (133)	# (133)	# (131)	# (131)
51	Nut 10-24	# (12)	# (12)	# (12)	# (12)
52	Nut 1/4-20	# (131)	# (131)	# (131)	# (131)
53	3/8-16 hardware	# (8)	# (8)	# (8)	# (8)

Common hardware, procure locally

*Use part number on models with serial number K27147 or earlier.

Enclosures

Automatic Transfer and Bypass Isolation, NEMA Type 1, 1000-1200 Amps.



AY-295000

Automatic Transfer and Bypass Isolation, NEMA Type 1, 1000-1200 Amps.

Enclosures

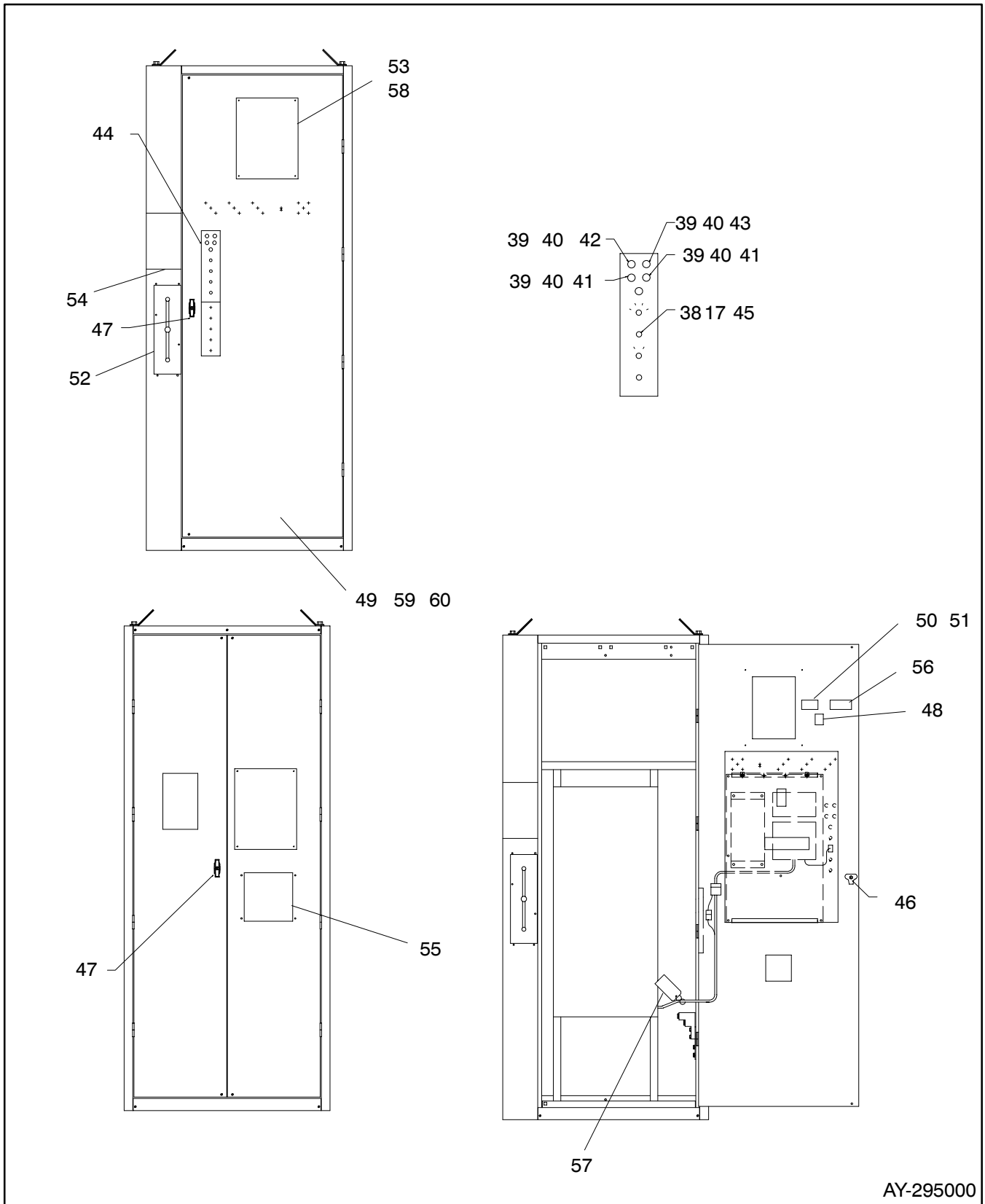
Item	Description	Part Number
		1000-1200 Amp.
1	Door, right back	298765
2	Retainer, nut	X-6204-1 (6)
3	Screw, hex washer 1/4-20 x 1.5	X-791-3 (61)
4	Washer, lock 1/4	#(149)
5	Screw, flat head machine	295098 (72)
6	Hinge, split	297600 (8)
7	Nut 10-24	# (72)
8	Channel, top & bottom	298432 (2)
9	Panel, side	298766 (4)
10	Clip, speed	297596 (48)
11	Panel, side	262460 (4)
12	Brace, corner	298722 (4)
13	Screw, hex washer 1/4-20 x 1.5	X-791-2(148)
14	Nut 1/4-20	#(143)
15	Door	294292
	Door	*298756
16	Hinge, split	297601 (4)
17	Switch, toggle	295068
18	Door, left back	298764
19	Clip, speed	297952 (12)
20	Plate, top	298755
21	Bracket, lifting	298433 (8)
22	3/8-16 hardware	# (8)
23	Bus, ground	298446
24	Bracket, mounting	298447 (2)
25	Panel, spacer	298438
26	Channel, corner	298425 (3)
27	Support, angle	298785 (2)
28	Panel, spacer	298782
29	Brace, top	298808
30	Brace, bottom	298809
31	Panel, spacer	298732
32	Channel, top - side	298733 (2)
33	Bracket, mounting	298767 (2)

Common hardware, procure locally

*Use part number on models with serial number K27147 or earlier.

Enclosures

Automatic Transfer and Bypass Isolation, NEMA Type 1, 1000-1200 Amps.



AY-295000

Automatic Transfer and Bypass Isolation, NEMA Type 1, 1000-1200 Amps.

Enclosures

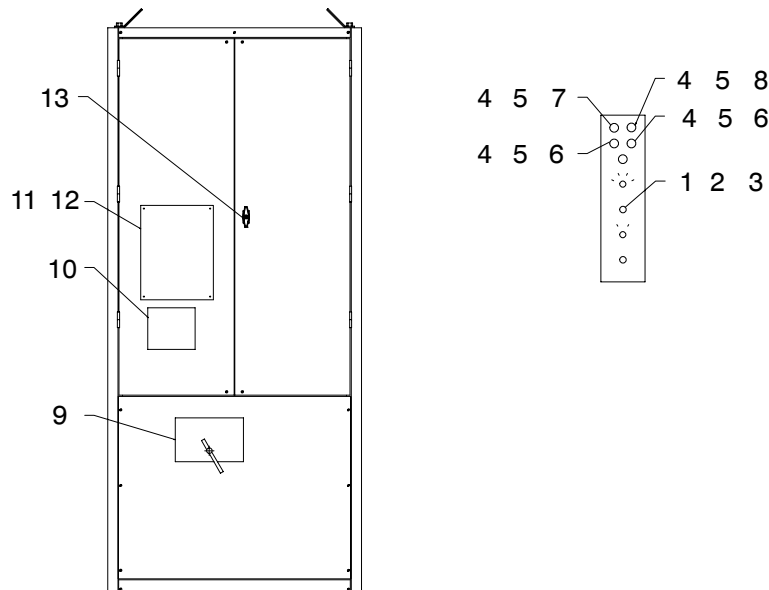
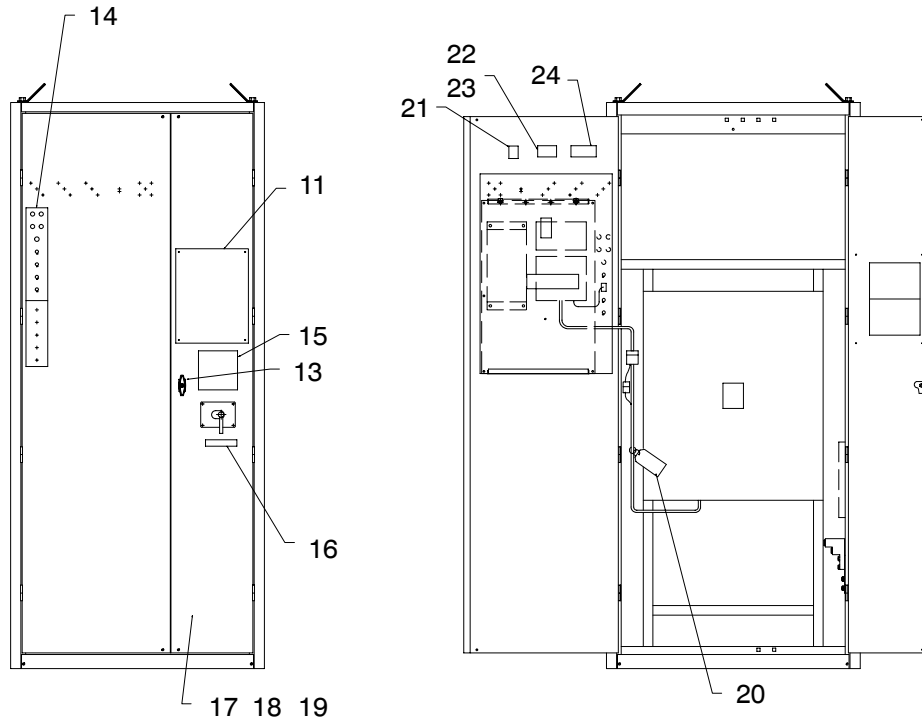
Item	Description	Part Number
		1000-1200 Amp.
34	Button, plug	X-301-23 (24)
35	Channel, side	298783 (3)
36	Channel center vertical	298427 (2)
37	Channel, corner	298731
38	Ring, lock	151511
39	Lamp	295324 (4)
40	Lamp, socket	295325 (4)
41	Lens	295326 (2)
42	Lens	295327
43	Lens	295328
44	Decal	297938
	Decal	*297598
45	Tie (expense), cable	X-468-1 (4)
46	Tie (expense), cable	X-468-2
47	Latch, T-handle	X-6132-4 (2)
48	Decal, 1-800 number	224233
49	Decal, Transfer Switch	273746
50	Nameplate, Automatic	295232
51	Nameplate, Serial No.	295392 (4)
52	Nameplate, Isolation Handle	297517
53	Nameplate, Status Indicator	297518 (2)
54	Nameplate, Operating Instructions	297715 (2)
55	Nameplate, Bypass Handle	297716
56	Decal U.L.	297939
57	Tag, hang	297949
58	Screw, R.H.M. 10-24	X-50-8 (8)
59	Decal, stripes	X-6232-2
60	Decal, Kohler Power System	X-6246-4

Common hardware, procure locally

*Use part number on models with serial number K27147 or earlier.

Enclosures

Automatic Transfer and Bypass Isolation, NEMA Type 1, 1600-2000 Amps.



BM-295000

Automatic Transfer and Bypass Isolation, NEMA Type 1, 1600-2000 Amps.

Enclosures

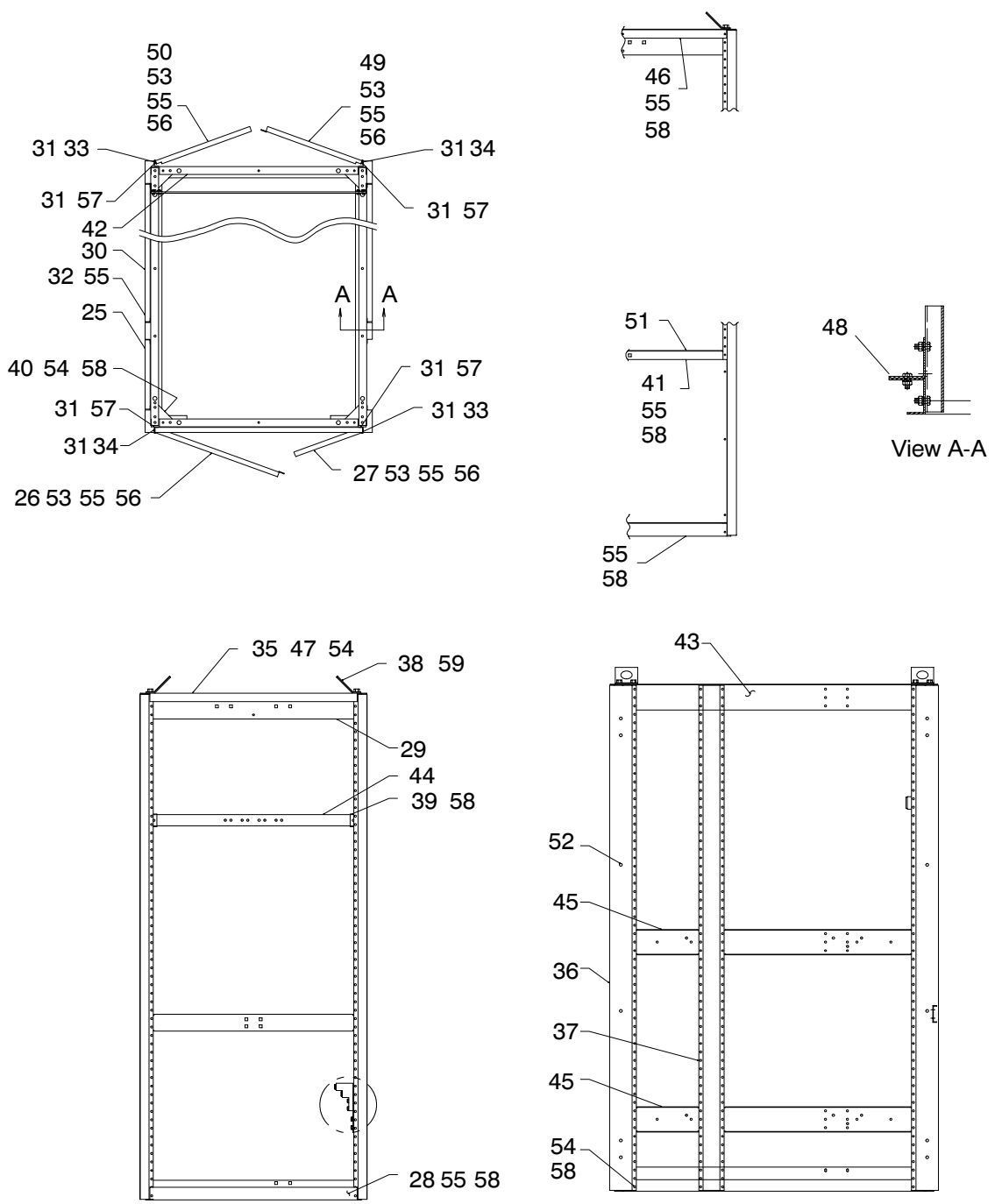
Item	Description	Part Number
		1600-2000 Amp.
1	Ring, lock	151511
2	Switch, toggle	295068
3	Tie (expense), cable	X-468-1 (4)
4	Lamp	295324 (4)
5	Lamp, socket	295325 (4)
6	Lens	295326 (2)
7	Lens	295327
8	Lens	295328
9	Nameplate, Bypass Handle	297719
10	Nameplate, Operating Instructions	297718
11	Nameplate, Status Indicator	297518 (2)
12	Screw, R.H.M. 10-24 x 5	X-50-8 (8)
13	Latch, T-handle	X-6132-4 (2)
	Latch	*298001 (2)
14	Decal	297938
	Decal	*297598
15	Nameplate, Isolation Handle	297717
16	Nameplate, Isolation Handle	297720
17	Decal, Transfer Switch	273746
18	Decal, Stripes	X-6232-1
19	Decal, Kohler Power System	X-6246-3
20	Tag, hang	297949
21	Decal, 1-800 number	224233
22	Nameplate, Automatic	295232
23	Nameplate, serial no.	295392 (4)
24	Decal, U.L.	297939
25	Panel, side	261793 (4)
26	Door, left front	294503
	Door, left front	*298864
27	Door, right front	294504
	Door, right front	*298865
28	Panel, spacer	294505 (2)
29	Channel, top	294506

Common hardware, procure locally

*Use part number on models with serial number K27147 or earlier.

Enclosures

Automatic Transfer and Bypass Isolation, NEMA Type 1, 1600-2000 Amps.



BM-295000

Automatic Transfer and Bypass Isolation, NEMA Type 1, 1600-2000 Amps.

Enclosures

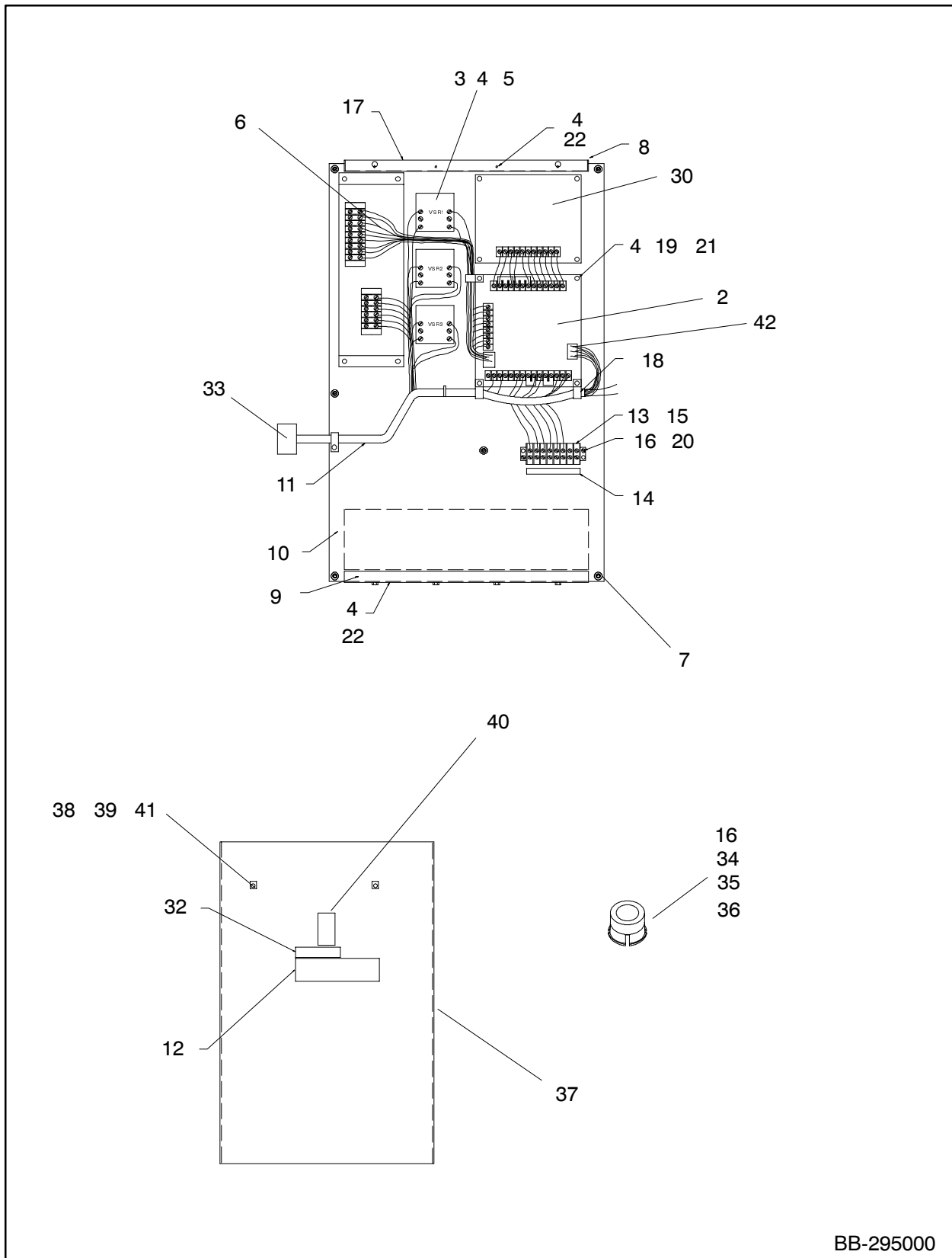
Item	Description	Part Number
		1600-2000 Amp.
30	Panel, side	294903 (2)
	Panel, side	*298859 (4)
31	Screw, flat head machine	295098 (96)
32	Clip, speed	297596 (48)
33	Hinge, split	297600 (8)
34	Hinge, split	297601 (8)
35	Clip, speed	297952 (12)
36	Channel, corner	298425 (4)
37	Channel center vertical	298427 (2)
38	Bracket, lifting	298433 (8)
39	Bracket, mounting	298447 (2)
40	Brace, corner	298722 (4)
41	Panel, back	298837
42	Channel, top	298855
43	Channel, top-side	298856 (2)
44	Bus, ground	298857
45	Channel, side	298858 (3)
46	Panel, spacer (D)	298863
47	Plate, top	298860
48	Support, angle	298861 (2)
49	Door, left back	298866
50	Door, right back	298867
51	Channel, back	298868
52	Button, plug	X-301-23 (24)
53	Retainer, nut	X-6204-1 (8)
54	Screw, hex washer 1/4-20 x .75	X-791-2(150)
55	Screw, hex washer 1/4-20 x 1.5	X-791-3 (69)
56	Washer, lock 1/4"	#(149)
57	Nut 10-24	# (72)
58	Nut 1/4-20	#(143)
59	3/8-16 hardware	# (8)

Common hardware, procure locally

*Use part number on models with serial number K27147 or earlier.

Inner Door Panel

Relay Logic



BB-295000

Relay Logic

Inner Door Panel

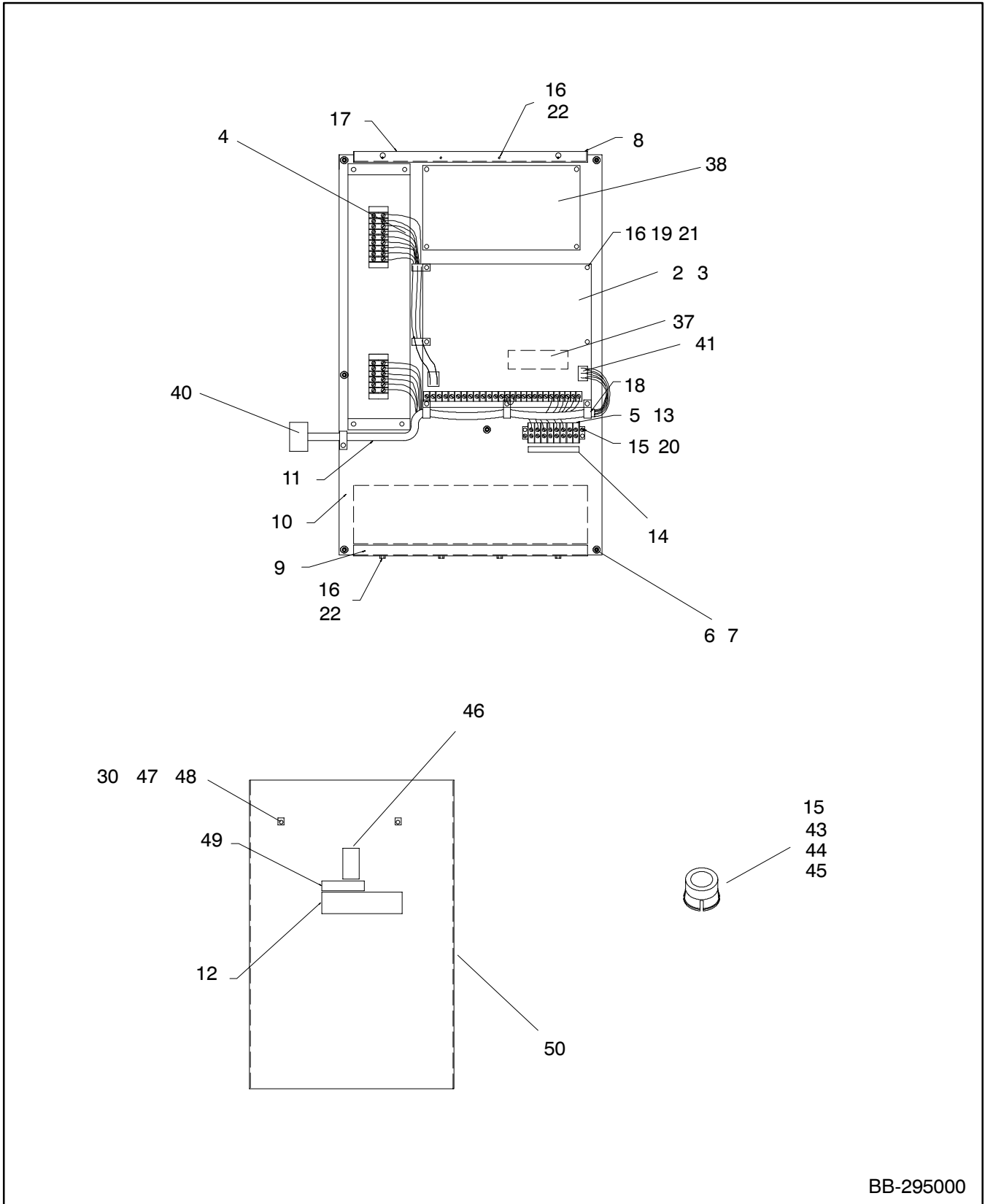
Item	Description	Part Number			
		60 Hz		50 Hz	
		1 Phase	3 Phase	1 Phase	3 Phase
1	Inner panel complete (Includes items 2, 3, 4, 5, 6, 10, 11, 12, 13, 14, 19, 21, 23, 24, 25, 26, 32)	A-297492	A-297490	A-297493	A-297491
2	Board assembly, circuit (Includes items 27, 28, 29)	A-297377	A-297377	B-297376	B-297376
3	Relay, voltage sensing	295294	295294 (3)	295294	295294 (3)
4	Washer, #8 lock	X-22-7 (7)	X-22-7 (11)	X-22-7 (7)	X-22-7 (11)
5	Screw, #8-32 x 1 3/4" R.H.M.	X-51-3 (8)	X-51-3 (8)	X-51-3 (2)	X-51-3 (2)
6	Harness, wiring (To transformer assembly)	295136	295135	295136	295135

Item	Description	Part Number
7	Spacer, .281 x.500 x.3	265861 (6)
8	Bracket	294316
9	Bracket	294317
10	Panel, inner (See note A)	295005
11	Harness, wiring (To contactor, includes items 33 and 42)	295134
12	Decal	295261
13	Block, terminal	295266
14	Decal	295329
15	Cover, terminal strip	295925
16	Nut, captive	298811 (2)
17	Grommet, 1-3/8	X-284-3
18	Tie (with mounting hole)	X-468-3 (4)
19	Screw, R.H.M. 8-32 x 1-1/8	X-51-2 (5)
20	Screw, R.H.M. 8-32 x	X-51-3 (2)
21	Grommet, plastic (standoff)	X-593-2 (5)
22	Screw, drill	X-794-2 (8)
23	Washer, # split-lock	# (2)
24	Washer, 1/4" lock	# (6)
25	Screw, #8-32 x 5/8" R.H.M.	# (2)
26	Nut, 1/4-20	# (6)

Item	Description	Part Number
27	Relay, ER and NR	295253 (2)
28	Relay, EFR	295254
29	Relay, NR1	295318
30	Board assembly, circuit (accessory card cage) (Includes item 31)	A-295128 (8)
31	Relay, CR	295270
32	Decal, mounting requirements	295933
33	Receptacle, wiring harness	295262
	Pins, female	295259 (24)
	Pins, male	295260 (24)
34	Nut, captive #6-32, .312 hole	298810
35	Nut, captive #10-24, .406 hole	298820
36	Nut, captive 1/4-20, .500 hole	298821
37	Guard, plexiglass	294315
38	Stud	294326 (2)
39	Clip	294327 (2)
40	Decal	294328
41	Retainer	295279 (2)
42	Plug, connector	241617

Common hardware, procure locally

*Use part number on models with serial number K27147 or earlier.



BB-295000

Solid State

Inner Door Panel

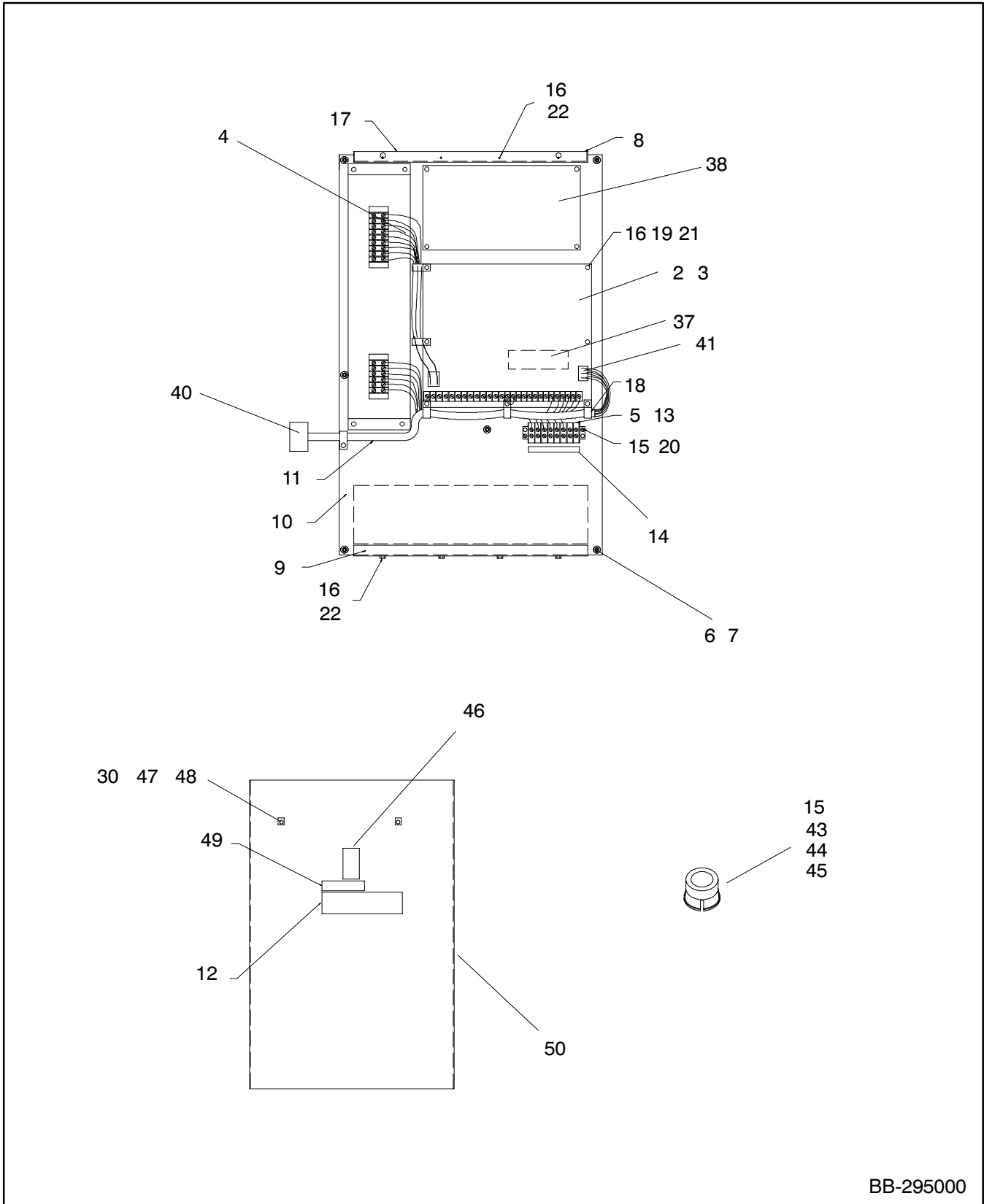
Item	Description	Part Number			
		60 Hz		50 Hz	
		1 Phase	3 Phase	1 Phase	3 Phase
1	Inner panel complete (Includes items 2, 3,4,10,11,14,18,19, 21, 24, 25, 26, 27, 28, 42)	B-297487	B-297486	B-297489	B-297488
2	Logic cover assembly (Includes items 12, 29, 30, 31)	A-295132	A-295132	A-295132	A-295132
3	Board assembly, circuit (Main) (.6-60 Sec. Standard Time Delay) (Includes items 23, 32, 33, 34, 35, 36, 37) See note C before ordering.	C-297373	C-297375	D-297372	D-297374
4	Harness, wiring (To transformer assembly)	295136	295135	295136	295135
5	Cover, terminal strip	295925	295925	-----	-----
6	Nut, hex	X-76-2 (6)	X-76-2 (6)	X-76-2 (6)	X-76-2 (6)

Item	Description	Part Number
7	Spacer, .281 x. 500 x. 3	265861 (6)
8	Bracket	294316
9	Bracket	294317
10	Panel, inner (See note A)	295005
11	Harness, wiring (To contactor, includes items 40 and 41)	295134
12	Decal, Transfer/Test	295261
13	Block, terminal	295266
14	Decal	295329
15	Nut, captive	298811 (2)
16	Washer, lock #8	X-22-7 (19)
17	Grommet, 1-3/8	X-284-3
18	Tie (with mounting hole)	X-468-3 (4)
19	Screw, R.H.M. 8-32	X-51-2 (8)
20	Screw, R.H.M. 8-32	X-51-3 (2)
21	Grommet, plastic (Standoff)	X-593-2 (11)
22	Screw, drill	X-794-2 (8)
23	Jumper, two-terminal	X-4068-2 (3)
24	Bracket	295264 (2)

Item	Description	Part Number
25	Clip	295267 (2)
26	Washer, #8 split-lock	# (2)
27	Washer, #8 internal tooth lock	# (11)
28	Screw, #8-32 x 5/8" R.H.M.	# (2)
29	Stud	295278 (2)
30	Retainer	295279 (2)
31	Cover, logic	297611
32	Jumper, four-terminal	X-4068-4
33	Relay, EFR 12VAC (See note B)	295254
	Relay, EFR 12VDC (See note B)	295318
34	Relay, TDES	295255
35	Relay, NR1	295270
36	Relay, ER and NR	295253 (2)
37	Board, assembly, circuit (Relay) (Includes Item 39)	C-297878
38	Board, assembly, circuit (Accessory card cage)	A-295131
39	Clip, TDEC relay	269972

Common hardware, procure locally

*Use part number on models with serial number K27147 or earlier.



BB-295000

Solid State

Item	Description	Part Number
40	Receptacle, wiring harness	295262
	Pins, female	295259 (24)
	Pins, male	295260 (24)
41	Plug, connector	241617
42	Decal, mounting requirements (Open models only.)	295933
43	Nut, captive #6-32, .312 hole	298810
44	Nut, captive #10-24, .406 hole	298820

NOTE A

Inner Panel 295005 (Item 10) early types used weld nuts. Later types use replaceable captive nuts. Order quantities as required.

NOTE B

If transfer switch uses early circuit board assembly (Item 2) with A-prefix, use relay 295254 (12 VAC).

Inner Door Panel

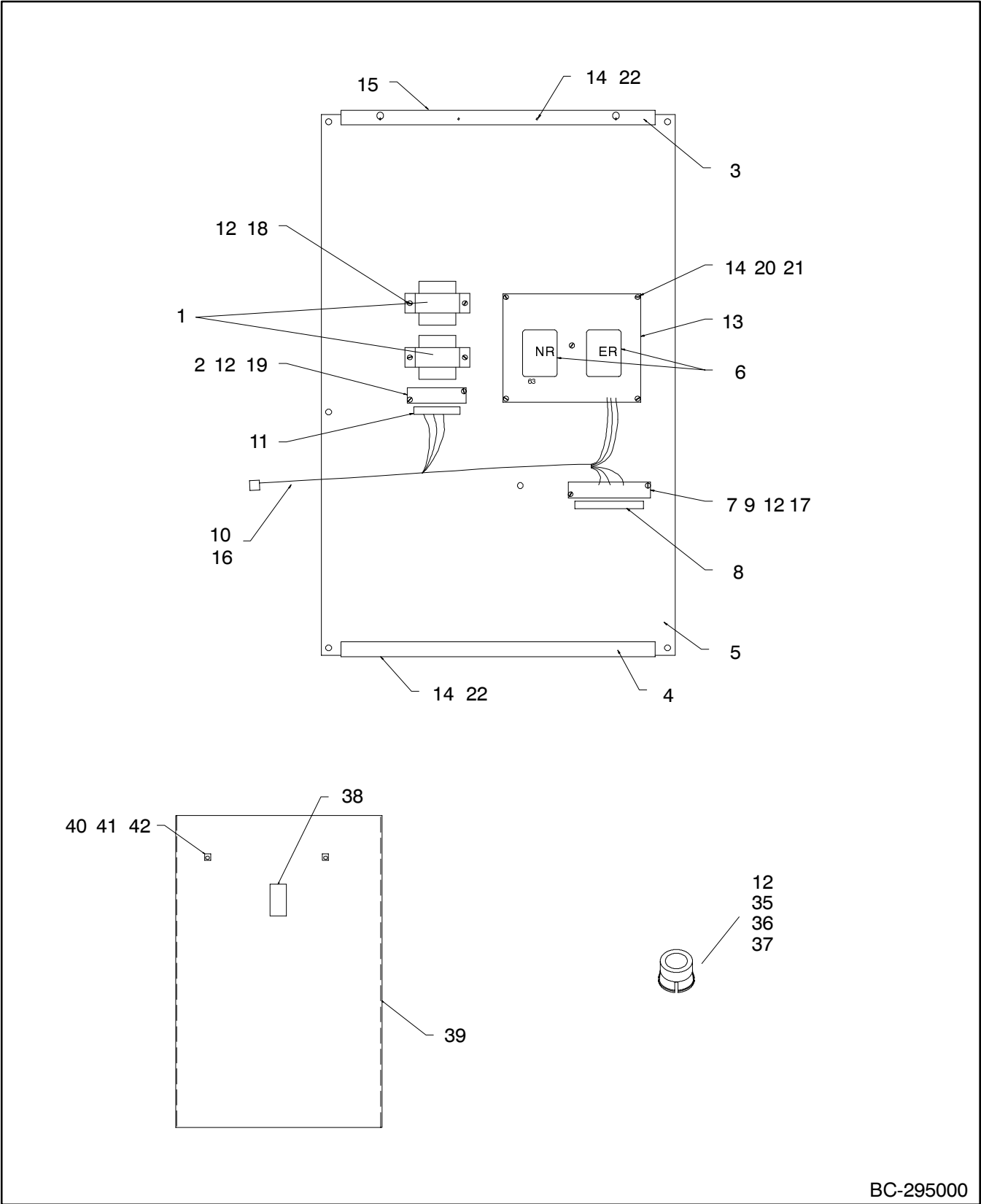
Item	Description	Part Number
45	Nut, captive #1/4-20, .500 hole	298821
46	Decal	294328
47	Stud	294326 (2)
48	Clip	294327 (2)
49	Decal	295933 (2)
50	Guard, plexiglass	294315

NOTE C

Newer circuit boards (Item 2) have ER and NR relays (Item 36) mounted on a separate board C-297878 (Item 37).

Inner Door Panel

Nonautomatic



BC-295000

Nonautomatic

Inner Door Panel

Voltage	Part Number	
	Inner Panel Complete (Includes items 1, 2, 5, 7, 8, 9, 10, 11, 13, 14, 16, 20, 21, 23, 24, 25, 26, 27, 28, 29)	Item 1 Transformer (2)
110-120	A-297806	295280
190-208	A-297807	295281
220-240	A-297808	295282
380-416	A-297809	295289
440-480	A-297810	295292
550-600	A-297811	295293

Item	Description	Part Number
2	Block, terminal	266118
3	Bracket	294316
4	Bracket	294317
5	Panel, inner (See note A)	295005
6	Relay	295253 (2)
7	Block, terminal	295266
8	Decal	295329
9	Cover, terminal strip	295925
10	Harness, wiring (To contactor includes item 34)	297813
11	Decal, transformer connection	298389
12	Nut, captive #6-32, .312 hole	298810 (8)
13	PCB asy, ats non-automatic (Includes items 30, 31, 32, 33)	A-297818
14	Washer, lock #8	X-22-7 (5)
15	Grommet, 1-3/8	X-284-3
16	Tie	X-468-3 (4)
17	Screw, R.H.M. 6-32 x 7/8	X-49-3 (2)
18	Screw, R.H.M.	X-49-36 (4)

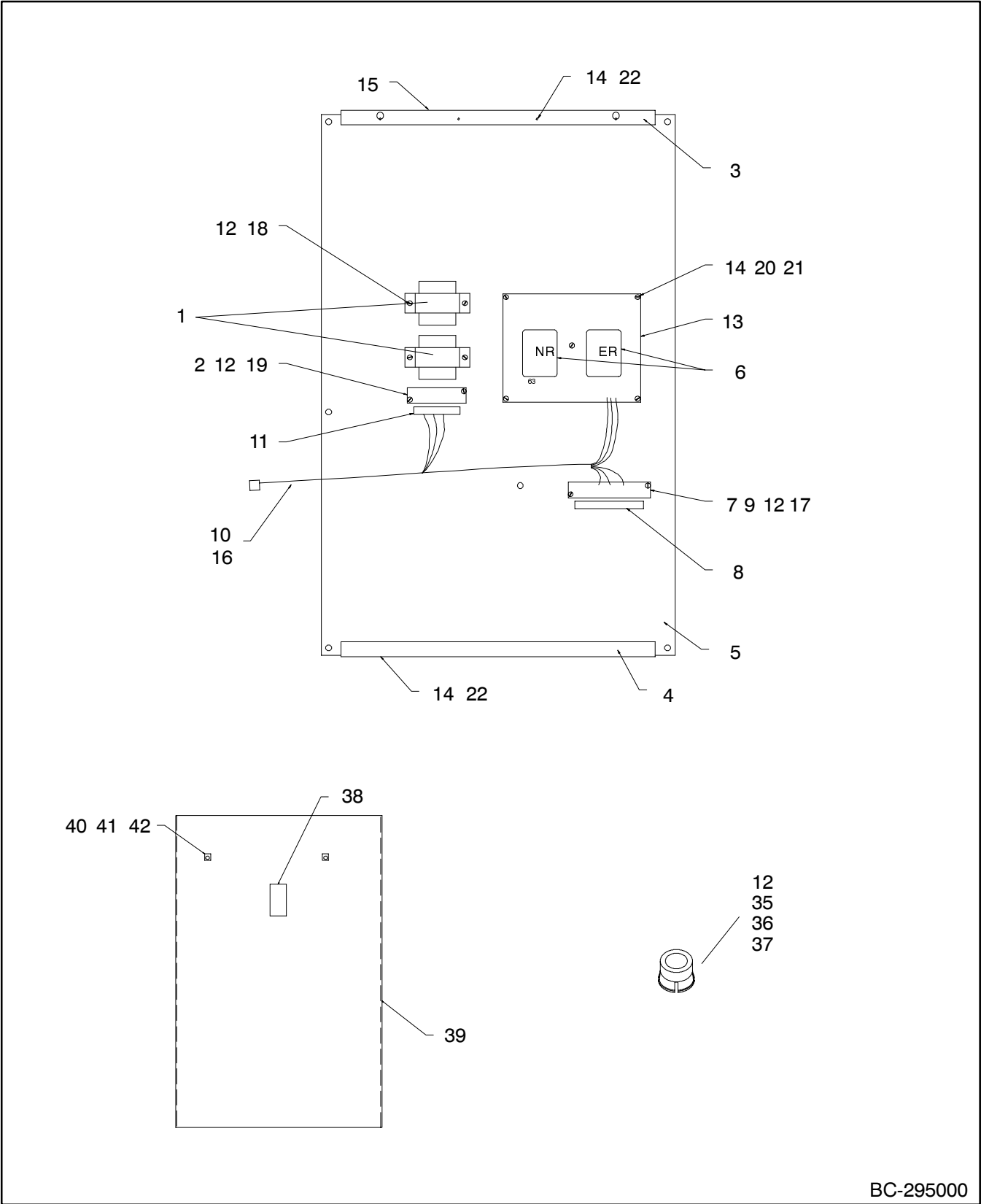
Item	Description	Part Number
19	Screw, R.H.M. 6-32 x 3/4	X-49-6 (2)
20	Screw, R.H.M. 8-32 x 1-1/8"	X-51-2 (5)
21	Grommet, plastic	X-593-2 (5)
22	Screw, drill	X-794-2 (8)
23	Washer, #6 lock	# (10)
24	Washer, 1/4" lock	# (6)
25	Block, two-terminal	X-405-2
26	Screw, #6-32 x 5/8" R.H.M.	# (10)
27	Nut, 1/4-20 Hex.	# (6)
28	Spacer, .281 x .5 x .375	265861 (6)
29	Decal, battery connection	298065
30	Clip, relay	269972 (3)
31	Screw, #6-32 x 5/8"	# (6)
32	Washer, .156 x .375 x .049 plain	# (6)
33	Nut, #6-32	# (6)
34	Receptacle, wiring harness	295262
	Pins, female	295259 (24)
	Pins, male	295260 (24)

Common hardware, procure locally

*Use part number on models with serial number K27147 or earlier.

Inner Door Panel

Nonautomatic



BC-295000

Nonautomatic

Item	Description	Part Number
35	Nut, captive #8-32, .406 hole	298811
36	Nut, captive #10-24, .406 hole	298820
37	Nut, captive 1/4-20, .500 hole	298821
38	Decal	294328

Inner Door Panel

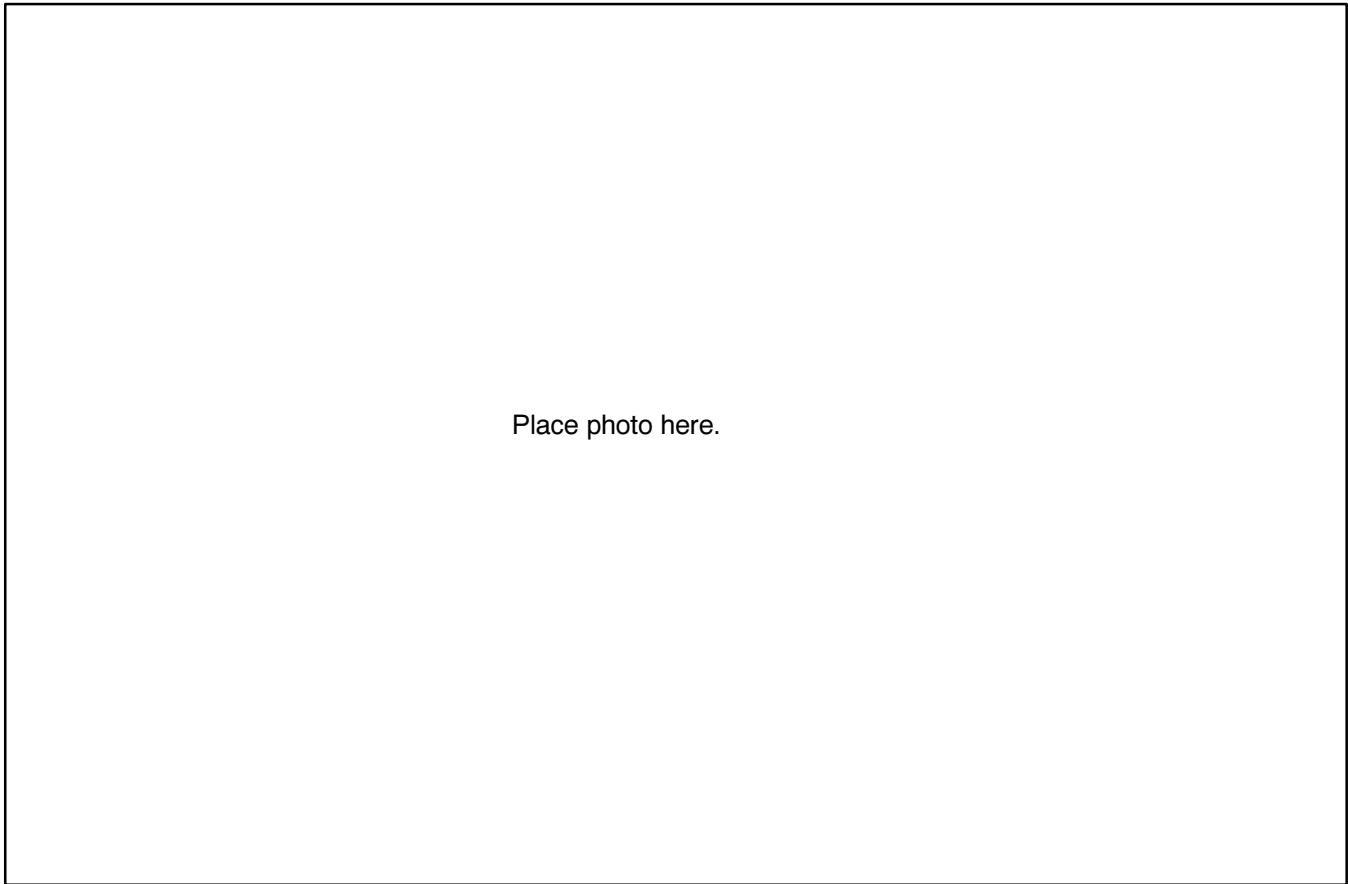
Item	Description	Part Number
39	Guard, plexiglass	294315
40	Retainer	295279
41	Clip	294327
42	Stud	294326

NOTE

Nonautomatic (KN) inner panel group includes transformer assembly. To determine primary/secondary voltage of transformer see Transformer Assembly, "Transformer Chart."

Common hardware, procure locally

*Use part number on models with serial number K27147 or earlier.



Place photo here.

Item	Description	Part Number
1	A1 board	296020
2a	A2 board, 2 pole (See note E)	296021
2b	A2 board, 3 pole, 3 \emptyset , 3 pole 1 \emptyset 3 pole w/overlapping neutral contact	296022

Item	Description	Part Number
3	ER relay	296015
4	SE relay	296015
5	NR relay	296016

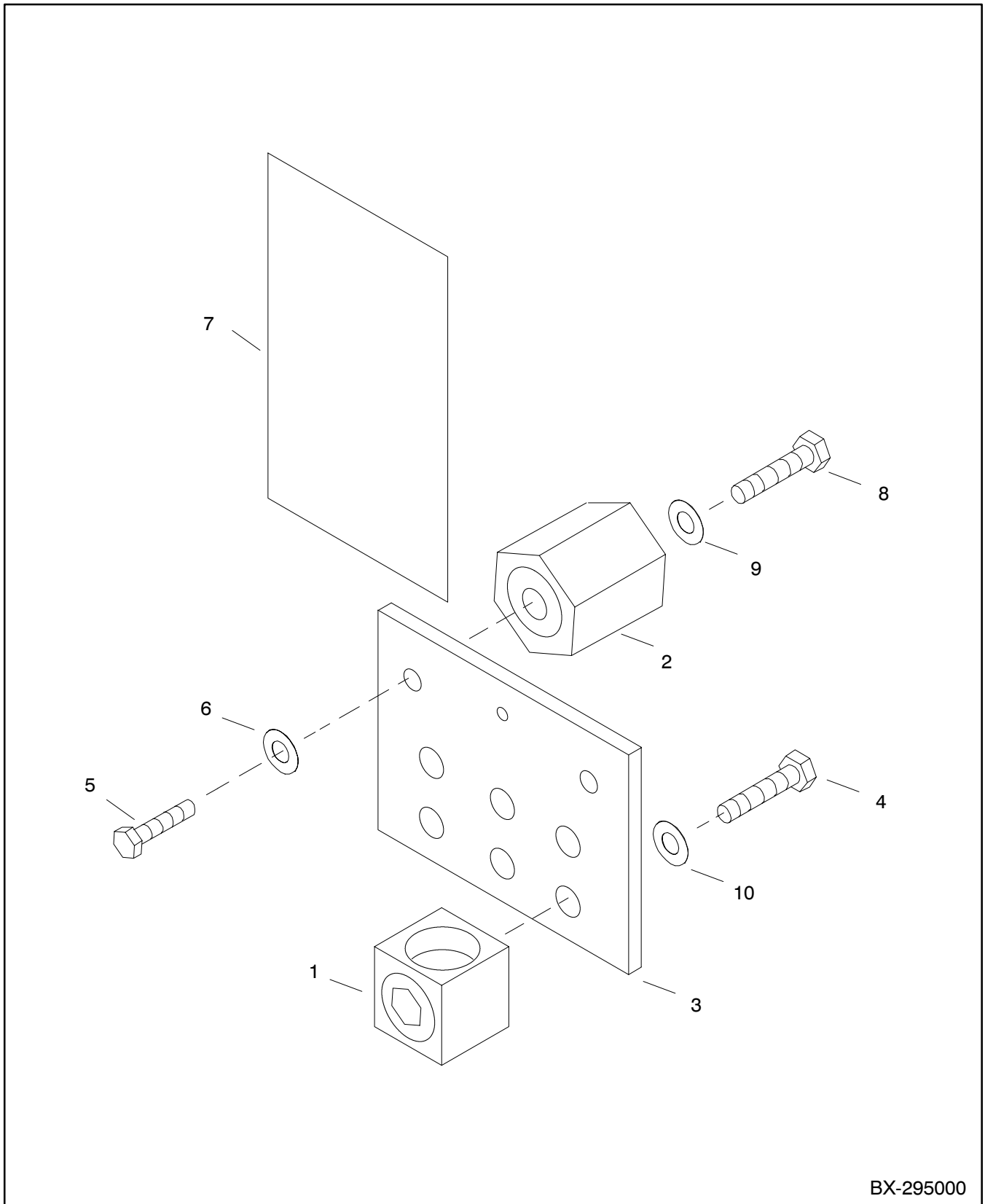
NOTE E

Order A2 Board (Items 2a and 2b)
according to number of poles.

Number of Poles	Use Item
2 Pole	2a
3 Pole 3 \emptyset	2b
3 Pole 1 \emptyset	2b
3 Pole 3 \emptyset with Overlapping Neutral Contact	2b

This Page Intentionally Left Blank

Neutral Lug Assembly



BX-295000

Neutral Lug Assembly

Item	Description	Part Number				
		30-104 Amp.	150 Amp.	225-260 Amp.	400 Amp.	600-800 Amp.
1	Lug, terminal	295303 (3)	297712 (3)	X-6207-5 (3)	X-6207-9 (3)	295296 (3)
2	Insulator, panel (standoff)	233269 (2)	233269 (2)	233568 (2)	233568 (2)	233568 (3)
3	Bracket, mounting	295304	297713	294362	294359	295298
4	Screw, H.C.	X-97-11 (3)	X-465-6 (3)	3/8-16 (3)	3/8-16 (3)	3/8-16 (6)
5	Screw, H.C.	X-465-6 (2)	X-465-6 (2)	X-6238-10 (2)	X-6238-10 (2)	X-6238-10 (3)
6	Washer	1/4" (2)	1/4" (2)	3/8" (2)	3/8" (2)	3/8" (3)
7	Decal, neutral lug torque	297556	297556	297556	297556	297556
8	Screw H.C.	X-465-6 (2)	X-465-6 (2)	X-6238-2 (2)	X-6238-2 (2)	X-6238-2 (3)
9	Washer	1/4" (2)	1/4" (2)	3/8" (2)	3/8" (2)	3/8" (3)
10	Washer, lock	X-22-9 (3)	X-22-11 (3)	-----	-----	-----

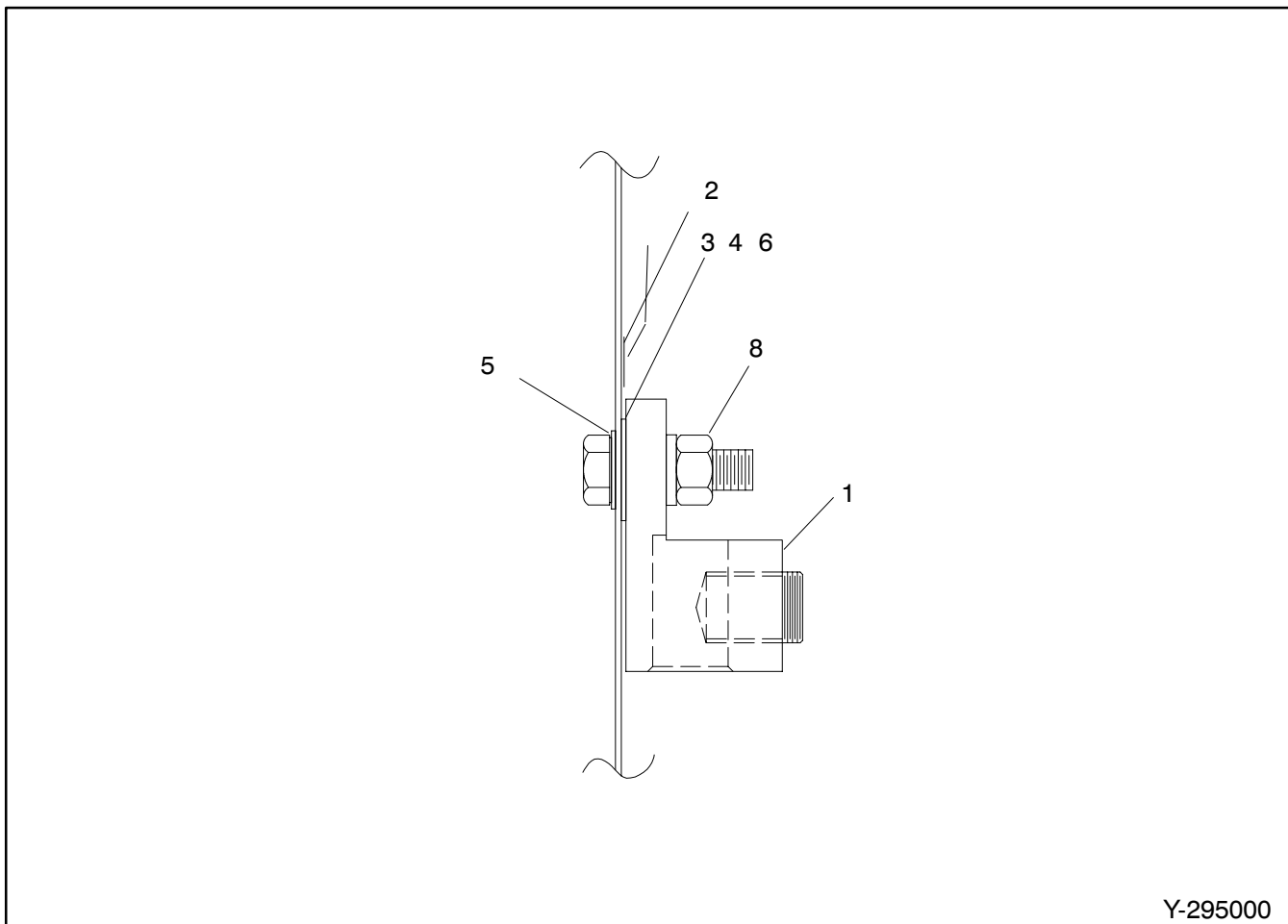
Item	Description	Part Number			
		1000-1200 Amp.	1600 Amp.	2000 Amp.	2500-4000 Amp.
1	Lug, terminal	297582 (3)	297605 (3)	297582 (6)	297582 (6)
2	Insulator, panel (standoff)	233568 (3)	233568 (3)	233568 (3)	233568 (3)
3	Bracket, mounting	295298	297604	297604	297604
4	Screw, H.C.	3/8-16 (6)	3/8-16 (6)	3/8-16 (12)	3/8-16 (12)
5	Screw, H.C.	X-6238-10 (3)	X-6238-10 (3)	X-6238-10 (2)	X-6238-10 (3)
6	Washer	3/8" (3)	3/8" (3)	3/8" (3)	3/8" (3)
7	Decal, neutral lug torque	297597	233568	297597	-----
8	Screw H.C.	X-6238-2 (3)	X-6238-2 (3)	X-6238-2 (3)	X-6238-2 (3)
9	Washer	3/8" (3)	3/8" (3)	3/8" (3)	3/8" (3)
10	Washer, lock	-----	-----	-----	-----

Common hardware, procure locally

*Use part number on models with serial number K27147 or earlier.

Neutral Lug Assembly

30-800 Amp. CSA



Y-295000

Item	Description	Part Number			
		30-150 Amps.	225 Amps.	400 Amps.	600-800 Amps.
1	Lug, terminal	294533	295295	295067	295296
2	Decal, ground	238575	238575	238575	238575
3	Washer, shakeproof 3/8"	X-22-14	-----	-----	X-22-14 (2)
4	Washer, lock 1/2"	-----	-----	X-22-26	-----
5	Washer, plain	X-25-82	-----	X-25-59	X-25-82 (2)
6	Washer, lock 1/2"	-----	X-22-26	-----	-----
7	Washer, plain (Item not shown)	-----	X-25-59	-----	-----
8	Nut, hex	-----	X-89-17	X-89-17	-----

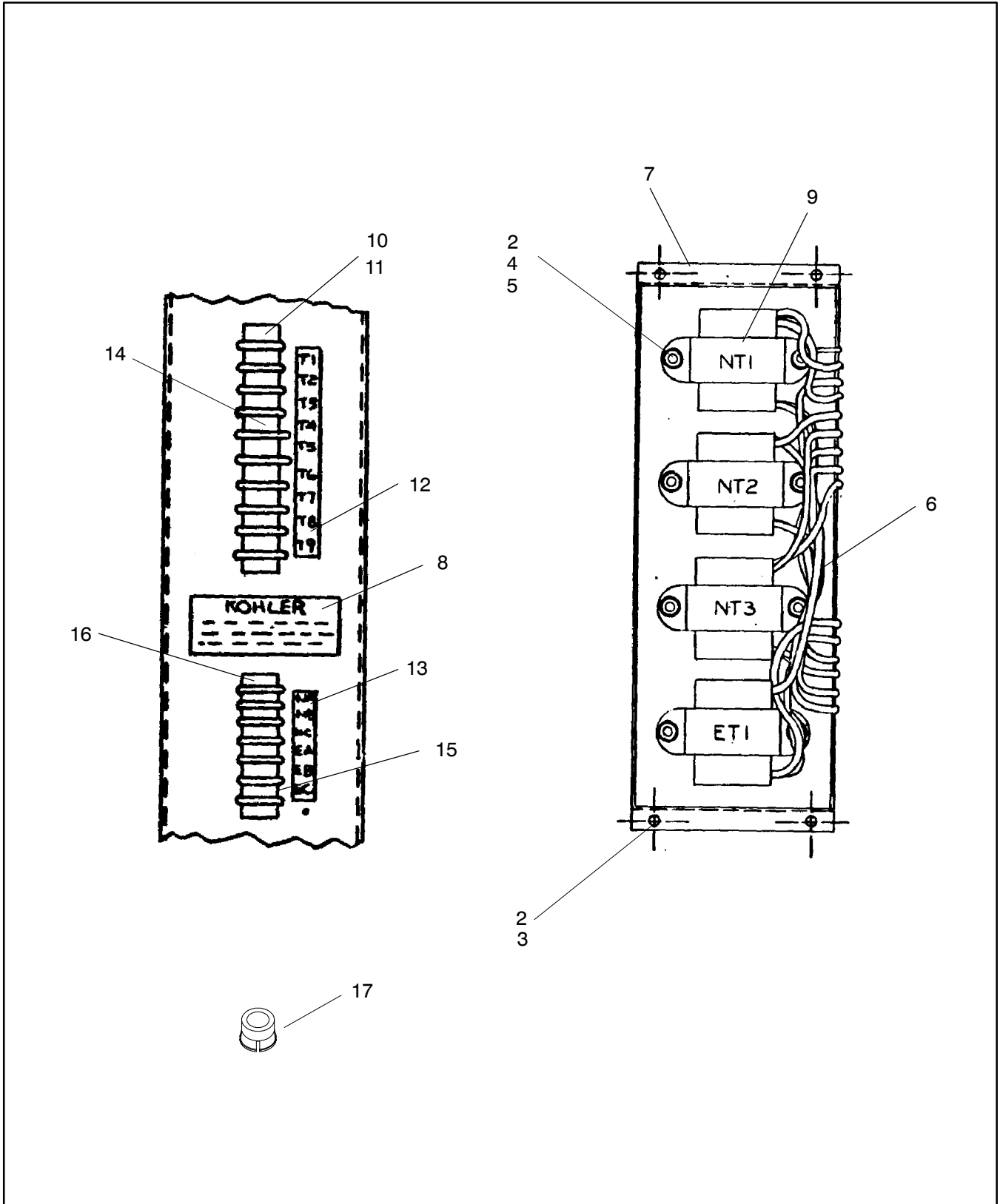
Common hardware, procure locally

*Use part number on models with serial number K27147 or earlier.

This Page Intentionally Left Blank

Transformer Assembly

Single-Phase Sensing 110-240 V



Single-Phase Sensing 110-240 V

Transformer Assembly

Single-Phase Sensing

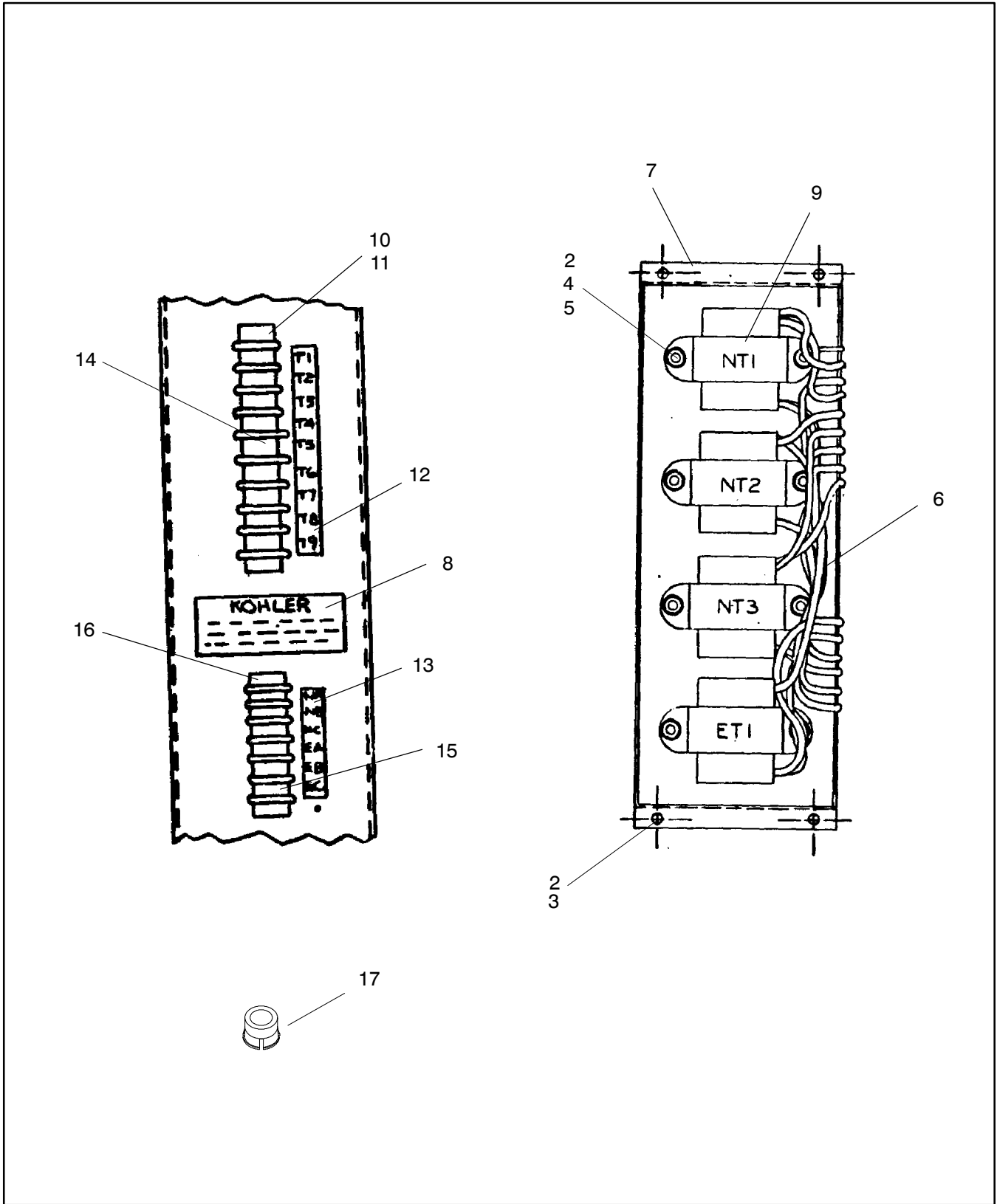
Item	Description	Part Number			
		250/600 Volt			
		110 V, 50 Hz. 120 V, 60 Hz. 2 Pole/ 3 Pole 1Ø	110 V, 50 Hz. 120 V, 60 Hz. 3 Pole 3Ø	220 V, 50 Hz. 240 V, 60 Hz. 2 Pole/ 3 Pole 1Ø	220 V, 50 Hz. 240 V, 60 Hz. 3 Pole 3Ø
1	Transformer Assembly (Includes items 2-16)	A-295036	A-295041	A-295035	A-295038
2	Washer, #8 lock	# (8)	# (8)	# (8)	# (8)
3	Screw, 8-32 x 3/4"	X-51-9 (4)	X-51-9 (4)	X-51-9 (4)	X-51-9 (4)
4	Screw, #8-32 x 7/16" R.H.M.	X-51-5 (4)	X-51-5 (8)	X-51-5 (4)	X-51-5 (8)
5	Nut #8-32	# (4)	# (8)	# (4)	# (8)
6	Terminal, 18 GA insulink	-----	#	-----	#
7	Bracket, transformer	295021	295021	295021	295021
8	Decal, transfer assembly	295052	295057	295051	295054
9	Transformer	295280 (2)	295280 (2) 295284 (2)	295282 (2)	295282 (2) 295286 (2)
10	Washer, #6 lock	# (4)	# (4)	# (4)	# (4)
11	Screw, #6-32 x 3/4" R.H.M.	X-49-6 (4)	X-49-6 (4)	X-49-6 (4)	X-49-6 (4)
12	Decal, nine-terminal block	295306	295306	295306	295306
13	Decal, six-terminal block	295307	295307	295307	295307
14	Block, nine-terminal	295313	295313	295313	295313
15	Block, six-terminal	295314	295314	295314	295314
16	Cover, terminal strip (with mounting tabs)	295925	295925	295925	295925
17	Nut, captive	298811 (4)	298811 (4)	298811 (4)	298811 (4)

Common hardware, procure locally

*Use part number on models with serial number K27147 or earlier.

Transformer Assembly

Single-Phase Sensing 190-380 V



Single-Phase Sensing 190-380 V

Transformer Assembly

Single-Phase Sensing

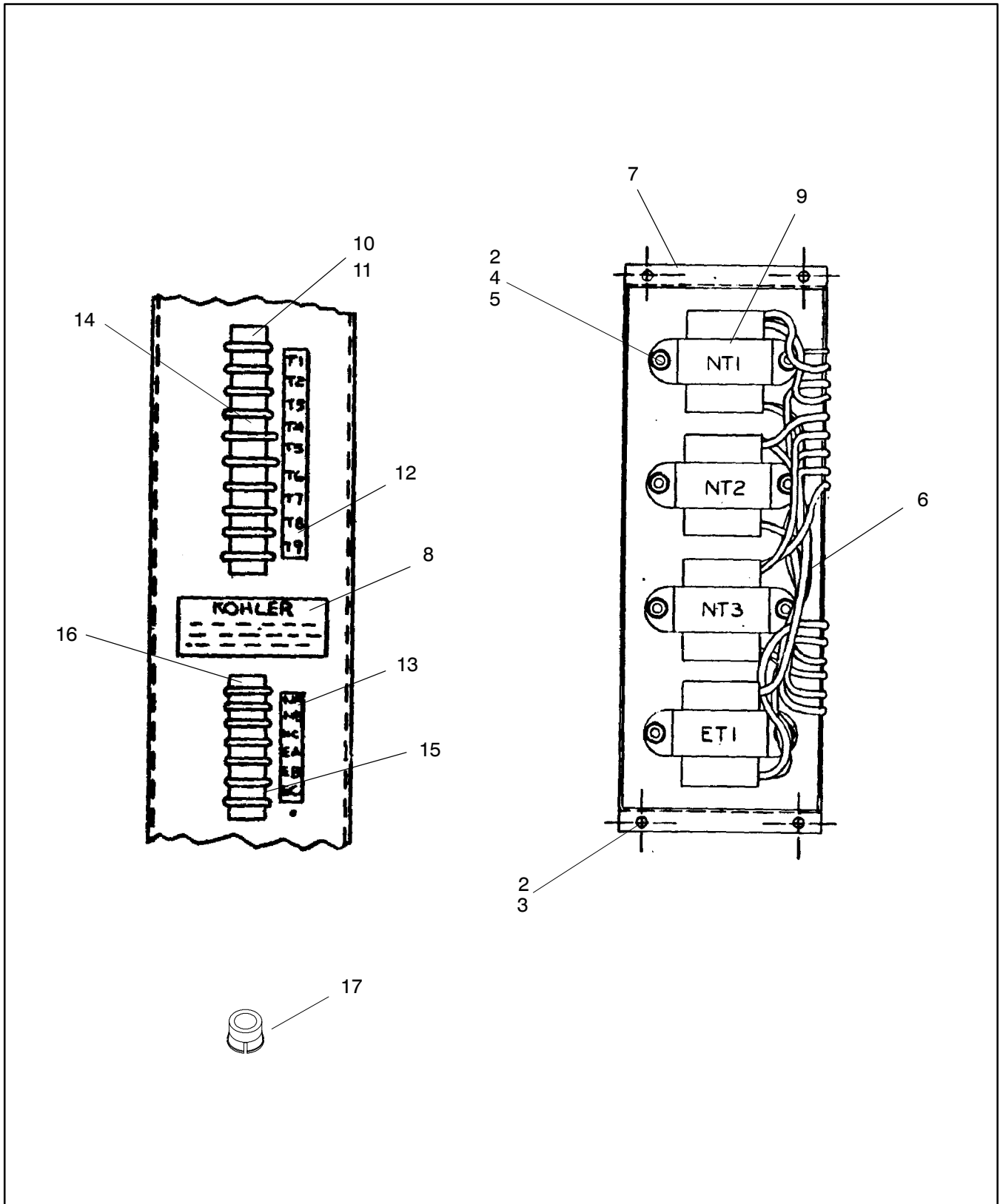
Item	Description	Part Number		
		250/600 Volt		600 Volt
		208 V, 60 Hz. 2 Pole/ 3 Pole 1Ø	190 V, 50 Hz. 208V, 60 Hz. 3 Pole 3Ø	380 V, 50 Hz. 3 Pole 3Ø
1	Transformer Assembly (Includes items 2-17)	A-297049	A-295037	A-295042
2	Washer, #8 lock	# (8)	#(12)	#(12)
3	Screw, 8-32 x 3/4"	X-51-9 (4)	# (4)	# (4)
4	Screw, #8-32 x 7/16" R.H.M.)	# (4)	# (8)	# (8)
5	Nut #8-32	# (4)	# (8)	# (8)
6	Terminal, 18 GA insulink	-----	#	#
7	Bracket, transformer	295021	295021	295021
8	Decal, transfer assembly	297051	295053	295058
9	Transformer	295281 (2)	295281 (2) 295285 (2)	295288 (2) 295290 (2)
10	Washer, #6 lock	# (4)	# (4)	# (4)
11	Screw, #6-32 x 3/4" R.H.M.	# (4)	# (4)	# (4)
12	Decal, nine-terminal block	295306	295306	295306
13	Decal, six-terminal block	295307	295307	295307
14	Block, nine-terminal	295313	295313	295313
15	Block, six-terminal	295314	295314	295314
16	Cover, terminal strip (with mounting tabs)	295925	295925	295925
17	Nut, captive	298811 (4)	298811 (4)	298811 (4)

Common hardware, procure locally

*Use part number on models with serial number K27147 or earlier.

Transformer Assembly

Single-Phase Sensing 416-600 V



Single-Phase Sensing 416-600 V

Transformer Assembly

Single-Phase Sensing

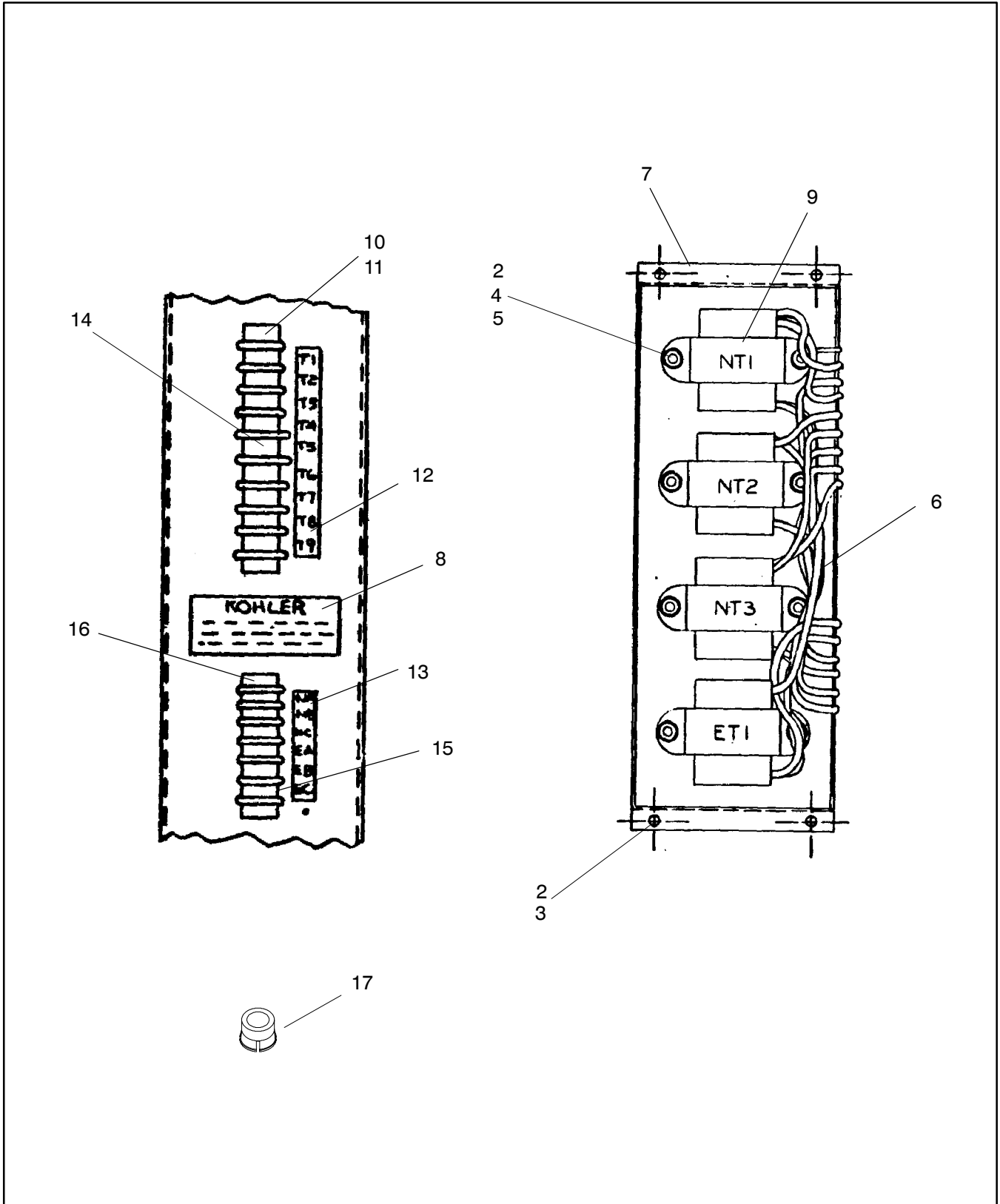
Item	Description	Part Number			
		600 Volt			
		416 V, 50 Hz. 3Pole 3Ø	440 V, 50 Hz. 480 V, 60 Hz. 2 Pole/ 3Pole 1Ø	440 V, 50 Hz. 480 V, 60 Hz. 3 Pole 3Ø	550 V, 60 Hz. 600 V, 50 Hz. 3 Pole 3Ø
1	Transformer Assembly (Includes items 2-17)	A-295043	A-297050	A-295039	A-295040
2	Washer, #8 lock	#(12)	# (8)	#(12)	#(12)
3	Screw, 8-32 x 3/4"	X-51-9 (4)	X-51-9 (4)	X-51-9 (4)	X-51-9 (4)
4	Screw, #8-32 x 7/16" R.H.M.)	# (4)	# (4)	# (8)	# (8)
5	Nut #8-32	# (4)	# (4)	# (8)	# (8)
6	Terminal, 18 GA insulink	-----	-----	#	#
7	Bracket, transformer	295021	295021	295021	295021
8	Decal, transfer assembly	295059	297052	295055	295056
9	Transformer	295289 (2) 295291 (2)	295292 (2)	295292 (2) 295293 (2)	295283 (2) 295287 (2)
10	Washer, #6 lock	# (4)	# (4)	# (4)	# (4)
11	Screw, #6-32 x 3/4" R.H.M.	# (4)	# (4)	# (4)	# (4)
12	Decal, nine-terminal block	295306	295306	295306	295306
13	Decal, six-terminal block	295307	295307	295307	295307
14	Block, nine-terminal	295313	295313	295313	295313
15	Block, six-terminal	295314	295314	295314	295314
16	Cover, terminal strip (with mounting tabs)	295925	295925	295925	295925
17	Nut, captive	298811 (4)	298811 (4)	298811 (4)	298811 (4)

Common hardware, procure locally

*Use part number on models with serial number K27147 or earlier.

Transformer Assembly

Three-Phase Sensing 110-240 V



Three-Phase Sensing 110-240 V

Transformer Assembly

Three-Phase Sensing (All-Option - Solid State)

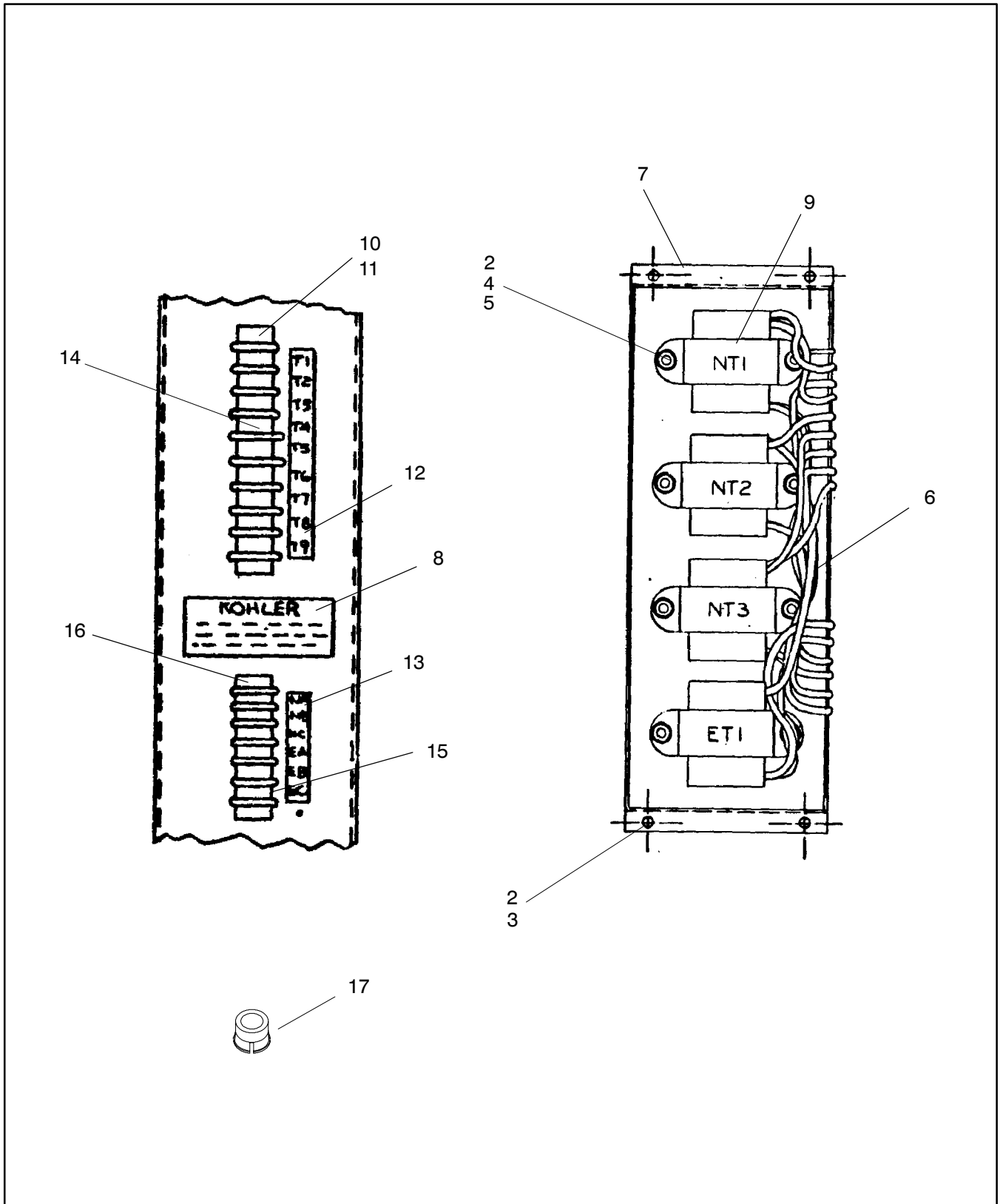
Item	Description	Part Number		
		250/600 Volt		
		110 V, 50 Hz. 120 V, 60 Hz. 3Pole 3Ø	190 V, 50 Hz. 208 V, 60 Hz. 3Pole 3Ø	220 V, 50 Hz. 240 V, 60 Hz. 3 Pole 3Ø
1	Transformer Assembly (Includes items 2-17)	A-295048	A-295044	A-295045
2	Washer, #8 lock	#(16)	#(16)	#(16)
3	Screw, 8-32 x 3/4"	X-51-9 (4)	X-51-9 (4)	X-51-9 (4)
4	Screw, #8-32 x 7/16" R.H.M.	#(12)	#(12)	#(12)
5	Nut #8-32	#(12)	#(12)	#(12)
6	Terminal, 18 GA insulink	# (2)	# (2)	# (2)
7	Bracket, transformer	295020	295020	295020
8	Decal, transfer assembly	297064	295060	295061
9	Transformer	295280 (2) 295284 (4)	295281 (2) 295285 (4)	295282 (2) 295286 (4)
10	Washer, #6 lock	# (4)	# (4)	# (4)
11	Screw, #6-32 x 3/4" R.H.M.	# (4)	# (4)	# (4)
12	Decal, nine-terminal block	295306	295306	295306
13	Decal, six-terminal block	295307	295307	295307
14	Block, nine-terminal	295313	295313	295313
15	Block, six-terminal	295314	295314	295314
16	Cover, terminal strip (with mounting tabs)	295925	295925	295925
17	Nut, captive	298811 (4)	298811 (4)	298811 (4)

Common hardware, procure locally

*Use part number on models with serial number K27147 or earlier.

Transformer Assembly

Three-Phase Sensing 380-600 V



Three-Phase Sensing 380 V - 600 V

Transformer Assembly

Three-Phase Sensing (All-Option - Solid State)

Item	Description	Part Number			
		600 Volt			
		380 V, 50 Hz. 3 Pole 3Ø	416 V, 50 Hz. 3Pole 3Ø	440 V, 50 Hz. 480 V, 60 Hz. 3Pole 3Ø	550 V, 60 Hz. 600 V, 50 Hz. 3 Pole 3Ø
1	Transformer Assembly (Includes item 2-17)	A-295049	A-295050	A-295046	A-295047
2	Washer, #8 lock	#(16)	#(16)	#(16)	#(16)
3	Screw, 8-32 x 3/4"	X-51-9 (4)	#X-51-9(4)	X-51-9 (4)	#X-51-9 (4)
4	Screw, #8-32 x 7/16" R.H.M.	#(12)	#(12)	#(12)	#(12)
5	Nut #8-32	#(12)	#(12)	#(12)	#(12)
6	Terminal, 18 GA insulink	# (2)	# (2)	# (2)	# (2)
7	Bracket, transformer	295020	295020	295020	295020
8	Decal, transfer assembly	295065	295066	295062	295063
9	Transformer	295288 (2) 295290 (4)	295289 (2) 295291 (4)	295292 (2) 295293 (4)	295283 (2) 295287 (4)
10	Washer, #6 lock	# (4)	# (4)	# (4)	# (4)
11	Screw, #6-32 x 3/4" R.H.M.	# (4)	# (4)	# (4)	# (4)
12	Decal, nine-terminal block	295306	295306	295306	295306
13	Decal, six-terminal block	295307	295307	295307	295307
14	Block, nine-terminal	295313	295313	295313	295313
15	Block, six-terminal	295314	295314	295314	295314
16	Cover, terminal strip (with mounting tabs)	295925	295925	295925	295925
17	Nut, captive	298811 (4)	298811 (4)	298811 (4)	298811 (4)

Common hardware, procure locally

*Use part number on models with serial number K27147 or earlier.

Transformer Assembly

NOTE

For nonautomatic (KN) transformer assembly.
See group 402-Inner panel.

NOTE

All-option automatic - solid state models use a
transformer assembly with six transformers.

NOTE

Use transformer chart to differentiate between
transformers when more than one part number is
used for a given transformer assembly.

Transformer Chart

Part Number	Primary Voltage	Secondary Voltage
295280	110/120	24
295281	190/208	24
295282	220/240	24
295283	550/600	24
295284	110/220	12
295285	190/208	12
295286	220/240	12
295287	550/600	12
295288	380	24
295289	416	24
295290	380	12
295291	416	12
295292	440/480	24
295293	440/480	12

This Page Intentionally Left Blank

Accessories

Table of Contents

Time Delays	96
Emergency Frequency/Voltage Cards	98
Phase Rotation Sequence Protection	99
Test Switches	99
Selector Switches	101
Pushbutton Override Switches	102
Engine Lock Switches	103
Solenoid Disconnect Switches	104
Two-Position Selector Switches	105
Pilot Lights	107
Auxiliary Contacts	111
Frequency Meters	113
Hourmeter Kits	113
Voltmeter, Ammeter, and Selector Switches	115
Padlock-Enclosures	133
Terminal Lug Kits	134
Plant Exercisers	137
Battery Chargers	147
Overvoltage Cards	151
Area Protections	151
Normal Frequency Cards	151
Fuse Kits	152
Pushbutton Operations	152
Cranking Limiters	159
Audible Alarms	160
In-Phase Monitors	162
Sync. Check Relays	177
In-Phase Monitors	179
Load-Shed Contacts	184
Wire Harness Kits	198
Lightning Surge Protection Kits	199
Heater Kits	202
Handle, External Manual Operating Kits	209
Dead Buss Relays	210
Nonstandard Accessories	212
S140 Accessories	213

Accessories Introduction

Common hardware is available only by ordering the kit number. Individual leads do not appear in this catalog. Some leads are available by ordering the appropriate wiring harness. Otherwise, replacement will require fabrication using same type of stranded copper wire (gauge, color, length), identical terminals, and proper lead designation at each end.

When the same kit appears for more than one accessory it is due to the nature of how it was ordered. Accessories can be ordered “installed” on the enclosure or “For Separate Mounting” where it is electrically connected but not mounted to the enclosure. When two kits appear to be identical in terms of their components it is due to differences of non-serviceable items (e.g. hardware, leads, etc.). When an accessory is available as a field installable kit it will carry the “PA” designation.

NOTE F

Accessories 01-BS3, 01-BS4, 01-BS5, 01-BS6 offer a time delay of 1-30 min. If standard time delay of .6-60 sec. is used, see Inner Panel for proper circuit board assembly.

NOTE G

Time Delay Relay was 295154 replaced by kit 296276 which includes relay 297251, socket 295034, and relay clamp 297834.

NOTE

If accessories indicate “Consult Factory,” contact Kohler Co., Generator Division, Generator Service Parts Department, Kohler, WI 53044. Telephone (414) 565-3381

NOTE

When ordering time clock trip pins used in Acc. 10-E, F, G and 23-, determine time clock manufacturer (Cyclemaster or Lumenite). Clock components are not interchangeable.

Time Delays

KA-Accessory	Kit Number	Description	Part Number
01-AR	PA-295600	Time Delay Normal to Emergency 0.6-60 Sec. (30-800 Amps.) 0-5 Min. (1000-4000 Amps.) Relay	295320
01-BR	PA-295604	Time Delay Normal to Emergency (1-30 Min.) Relay	295319
01-BS	295313	Time Delay Normal to Emergency (1-30 Min.)	
01-BS3	PA-297494	Time Delay Normal to Emergency (1-30 Min.) Board assy., circuit (Includes the following: Jumper, two-terminal (2) Jumper, four-terminal Clip, relay (3) Relay, ER and NR (2) Relay, EFR (12VDC) (See note F) Relay, TDES Relay, NRI Clip, NRI relay Decal, loosen locknuts Clamp, TDES relay	D-297383 X-6048-2 X-6048-4 269972 295253 295318 295255 295270 295271 297812 297835
01-BS4	PA-297495	Time Delay Normal to Emergency (1-30 Min.) Board assy., circuit (Includes the following: Jumper, two-terminal (2) Jumper, four-terminal Clip, relay (3) Relay, ER and NR (2) Relay, EFR (12VDC) (See note F) Relay, TDES Relay, NRI Clip, NRI relay Decal, loosen locknuts Clamp, TDES relay	D-297381 X-6048-2 X-6048-4 269972 295253 295318 295255 295270 295271 297812 297835
01-BS5	PA-297496	Time Delay Normal to Emergency (1-30 Min.) Board assy., circuit (Includes the following: Jumper, two-terminal (2) Jumper, four-terminal Clip, relay (3) Relay, ER and NR (2) Relay, EFR (12VDC) (See note F) Relay, TDES Relay, NRI Clip, NRI relay Decal, loosen locknuts Clamp, TDES relay	D-297382 X-6048-2 X-6048-4 269972 295253 295318 295255 295270 295271 297812 297835

Time Delays, Continued

KA-Accessory	Kit Number	Description	Part Number
01-BS6	PA-297497	Time Delay Normal to Emergency (1-30 Min.) Board assy., circuit Includes:	D-297380
		Jumper, two-terminal (2)	X-6048-2
		Jumper, four-terminal	X-6048-4
		Clip, relay (3)	269972
		Relay, ER and NR (2)	295253
		Relay, EFR (12VDC) (See note F)	295318
		Relay, TDES	295255
		Relay, NRI	295270
		Decal, loosen locknuts	297812
		Clamp, TDES relay	297835
02-AR	PA-295601	Time Delay Engine Starting 3-20 Sec. (30-800 Amps.) Jumper, two-terminal	X-6048-2
		Relay	295263
02-AS	PA-295602	Time Delay Engine Starting 3-20 Sec. (30-800 Amps.) Relay	295263
02-E	PA-295603	Time Delay Engine Starting (3 Sec.) Jumper, two-terminal	X-6048-2
		Relay	295255
02-FR	PA-297065	Time Delay Engine Starting (20-240 Sec.) Jumper, two-terminal	X-6048-2
		Relay	295974
02-FS	PA-297066	Time Delay Engine Starting (20-240 Sec.) Relay	295974
02-GR	PA-297004	Time Delay Engine Starting 0.5-6 Sec. (30-800 Amps.) Jumper, two-terminal	X-6048-2
		Relay	295975
02-GS	PA-297005	Time Delay Engine Starting 0.5-6 Sec. (30-800 Amps.) Relay	295975
02-HR	PA-297332	Time Delay Engine Starting (3-30 Min.) Relay	294989
02-HS	PA-297142	Time Delay Engine Starting (3-30 Min.) Relay	297141
02-JS	298100	Time Delay Engine Starting (1 Sec.) Relay	298057
03-CF	PA-295604	Time Delay Emergency to Normal Relay	295319
04-CR	PA-295604	Time Delay Engine Cool—Off (1-30 Min.) Relay	295319
04-CS	PA-295606	Time Delay Engine Cool—Off (1-30 Min.) Circuit board assy.	B-295112
		Relay	295248
04-DR	PA-295604	Time Delay Engine Cool—Off (5 Min.) Relay	295319

Time Delays, Continued

KA-Accessory	Kit Number	Description	Part Number
04-DS	PA-297068	Time Delay-Engine Cool-Off (5 Min.)	
		Spacer, fiber	X-712-2
		Rectifier, bridge	241610
		Socket, relay	295034
		Relay	295319
		Clamp, relay	297834

Emergency Frequency/Voltage Cards

KA-Accessory	Kit Number	Description	Part Number
05-AS	PA-295607	Emergency Underfrequency Card Board assy., circuit	B-295107
05-CS	PA-295608	Emergency Overfrequency Card Board assy., circuit	B-295108
05-DS	PA-295609	1 ∅ Emergency Undervoltage Card Board assy., circuit	B-295116
05-ES	PA-295610	1 ∅ Emergency Overvoltage Card Board assy., circuit	B-295121
05-FS1	PA-295643	3 ∅ Emergency Undervoltage Card 120/208V Transformer assy. Board assy., circuit	A-295044 B-295115
05-FS2	PA-295373	3 ∅ Emergency Undervoltage Card 277/480V Transformer assy. Board assy., circuit	A-295046 B-295115
05-FS3	PA-295374	3 ∅ Emergency Undervoltage Card 550/600V Transformer assy. Board assy., circuit	A-295047 B-295115
05-FS4	PA-295370	3 ∅ Emergency Undervoltage Card 110-120V/120-240V Transformer assy. Board assy., circuit	A-295045 B-295115
05-FS5	PA-295371	3 ∅ Emergency Undervoltage Card 220-380V Transformer assy. Board assy., circuit	A-295049 B-295115
05-FS6	PA-295372	3 ∅ Emergency Undervoltage Card 240-416V Transformer assy. Board assy., circuit	A-295050 B-295115
05-GS1	PA-295644	3 ∅ Emergency Overvoltage Card 120-208V Transformer assy. Board assy., circuit	A-295044 B-295120
05-GS2	PA-295378	3 ∅ Emergency Overvoltage Card 277-480V Transformer assy. Board assy., circuit	A-295046 B-295120
05-GS3	PA-295379	3 ∅ Emergency Overvoltage Card 550-600V Transformer assy. Board assy., circuit	A-295047 B-295120

Emergency Frequency/Voltage Cards, Continued

KA-Accessory	Kit Number	Description	Part Number
05-GS4	PA-295375	3 ∅ Emergency Overvoltage Card 110-120V/120-240V Transformer assy. Board assy., circuit	A-295045 B-295120
05-GS5	PA-295376	3 ∅ Emergency Overvoltage Card 220-380V Transformer assy. Board assy., circuit	A-295049 B-295120
05-GS6	PA-295377	3 ∅ Emergency Overvoltage Card 240-416V Transformer assy. Board assy., circuit	A-295050 B-295120

Phase Rotation Sequence Protection

KA-Accessory	Kit Number	Description	Part Number
05-HB	PA-297282	Phase Rotation Sequence Protection Kit 208V Relay	297279
05-HD	PA-297283	Phase Rotation Sequence Protection Kit 38-416V Relay	297280
05-HE	PA-297284	Phase Rotation Sequence Protection Kit 440-480V Relay (2)	297281

Test Switches

KA-Accessory	Kit Number	Description	Part Number
06-A	PA-295611	Momentary Test Switch (Loose) Ring, lock Switch, toggle	151511 295068
06-A3	PA-294426	Momentary Test Switch (Nema Type 3R and 12) Switch, operator Contact assembly	298036 298046
06-B	295611	Momentary Test Switch Ring, lock Switch, toggle	151511 295068
06-B1	298104	Momentary Test Switch Switch (mechanical) operator Contact (electrical) assembly	298036 298046
06-B3	294426	Momentary Test Switch (Nema Type 3R & 12) Switch, operator Contact assembly	298036 298046
06-C	PA-295612	Maintained Test Switch (Loose) Ring, lock Switch, toggle	151511 268015
06-D	295612	Maintained Test Switch Ring, lock Switch, toggle	151511 268015
06-E	PA-297055	Momentary Keylock Test Switch (Loose) Switch, key Decal, Auto Test	297007 297008

Test Switches, Continued

KA-Accessory	Kit Number	Description	Part Number
06-E3	PA-294420	Momentary Keylock Test Switch (Loose) (Nema Type 3R & 12)	
		Switch, operator	298041
		Decal	294429
		Contact assembly	298046
06-F	297055	Momentary Keylock Test Switch	
		Ring, lock	151511
		Switch, key	297007
		Decal, Auto Test	297008
06-F3		Momentary Keylock Test Switch (Nema Type 3R & 12)	
		Decal	294429
		Switch, operator	298041
06-G	PA-297056	Maintained Keylock Test Switch (Loose)	
		Switch, key	297006
		Decal, Auto Test	297008
06-G3	PA-294428	Maintained Keylock Test Switch (Nema Type 3R & 12)	
		Decal	294429
		Switch, operator	298040
		Contact assembly	298046
06-H	297056	Maintained Keylock Test Switch	
		Ring, lock	151511
		Switch, key	297006
		Decal, Auto Test	297008
06-H3		Maintained Keylock Test Switch (Nema Type 3R & 12)	
		Decal	294429
		Switch, operator	298040
06-L	PA-297534	Three-Position Test Switch (Loose)	
		Switch, selector	297349
		Decal, Auto Test (with/without load)	297532
06-L3	PA-297534	Three-Position Test Switch (Nema Type 3R & 12)	
		Decal	294432
		Contact assembly	297350
		Switch, operator	298055
06-M	297534	Three-Position Test Switch	
		Switch, selector	297349
		Decal, Auto Test (with/without load)	297532
06-M3		Three-Position Test Switch (Nema Type 3R & 12)	
		Decal	294432
		Contact assembly	297350
		Switch, operator	298055

Selector Switches

KA-Accessory	Kit Number	Description	Part Number
07-C	PA-295613	Four-Position Selector Switch (Loose)	
		Ring, lock	151511
		Nameplate, Automatic Test	297938
		Nut, weatherproof	295155
		Switch, selector	295323
		Lamp	295324
		Socket, lamp	295325
		Lens	295326
07-DR	295615	Four-Position Selector Switch	
		Ring, lock	151511
		Nut, weatherproof	295155
		Switch, selector	295323
		Lamp	295324
		Socket, lamp	295325
		Lens	295326
07-DS	295614	Four-Position Selector Switch	
		Ring, lock	151511
		Nut, weatherproof	295155
		Switch, selector	295323
		Lamp	295324
		Socket, lamp	295325
		Lens	295326
07-ER	297555	Four-Position Key Selector Switch	
		Lamp	295324
		Socket, lamp	295325
		Lens	295326
		Switch, selector	297552
07-ES	297554	Four-Position Key Selector Switch	
		Lamp	295324
		Socket, lamp	295325
		Lens	295326
		Switch, selector	297552
07-F	PA-297553	Four-Position Key Selector Switch (Loose)	
		Plug, button	X-301-20
		Lamp	295324
		Socket, lamp	295325
		Lens	295326
		Switch, selector	297552
		(Standard key switch removable in auto only)	
07-FR	PA-297502	Four-Position Key Selector Switch (Loose)	
		Lamp	295324
		Socket, lamp	295325
		Lens	295326
		Switch, selector	297501
		(Key removable in any position)	

Selector Switches, Continued

KA-Accessory	Kit Number	Description	Part Number
07-FS	PA-297503	Four-Position Key Selector Switch (Loose)	
		Lamp	295324
		Socket, lamp	295325
		Lens	295326
		Switch, selector (Key removable in any position)	297501
07-GS	297692	Four-Position Key Selector Switch (Loose)	
		Tie, cable (6)	X-468-1
		Ring, lock	151511
		Nut, weatherproof	295155
		Lamp	295324
		Socket, lamp	295325
		Lens	295326
		Switch, selector (Open switches, no enclosures)	297552
07-HS	298846	Four-Position Selector Switch (For Nema 12)	
		Plug, button	X-301-29
		Socket, light	X-6127-1
		Lens, white	X-6127-5
		Ring, lock	151511
		Adapter, tab	287571
		Lamp	298840
Switch, selector	298854		

Pushbutton Override Switches

KA-Accessory	Kit Number	Description	Part Number
08-A	295616	Pushbutton Override to Normal (Loose)	
		Ring, lock	151511
		Switch, toggle	295030
08-AR	PA-295616	Pushbutton Override to Normal (Loose)	
		Ring, lock	151511
		Switch, toggle	295030
08-AS		Pushbutton Override to Normal	
		Ring, lock	151511
		Switch, toggle	295033
		Socket, relay	295034
		Clamp, relay hold down	295189
		Relay	295254
		Decal	297938
Nut, captive (2)	298810		

Pushbutton Override Switches, Continued

KA-Accessory	Kit Number	Description	Part Number
08-AS3		Pushbutton Override to Normal (Nema Type 3R & 12)	
		Socket, relay	295034
		Clamp, relay hold down	295189
		Relay	295254
		Switch, operator	298037
		Contact assembly	298050
08-B	295617	Pushbutton Override to Normal (Loose)	
		Ring, lock	151511
08-CR	PA-295616	Switch, toggle	295033
		Pushbutton Override to Normal	
08-CR3		Ring, lock	151511
		Switch, toggle	295030
08-CR3		Pushbutton Override to Normal	
		Switch, operator	298037
		Contact, assembly	298050
08-CS	295617	Pushbutton Override to Normal	
		Ring, lock	151511
		Switch, toggle	295033
		Socket, relay	295034
		Clamp, relay hold down	295189
		Relay	295254
08-CS1	298109	Nut, captive (2)	298810
		Pushbutton Override to Normal	
08-CS1		Switch, operator	298037
		Contact, assembly	298050
		Pushbutton Override to Normal	
08-CS3	PA-294419	Socket, relay	295034
		Clamp, relay hold down	295189
		Relay	295254
		Switch, operator	298037
		Contact assembly	298050
		Nut, captive (2)	298810
08-DR	PA-295617	Pushbutton Override to Normal	
		Ring, lock	151511
		Switch, toggle	295033

Engine Lock Switches

KA-Accessory	Kit Number	Description	Part Number
09-A	PA-297536	Engine Lock Switch (Loose)	
		Ring, lock	151511
		Switch, toggle	268015
09-A3	PA-294434	Decal, Engine Disconnect	297788
		Engine Lockout Switch (Loose) (Nema Type 3R & 12)	
		Decal	294435
09-A3		Switch, operator	298039
		Contact assembly	298046

Engine Lock Switches, Continued

KA-Accessory	Kit Number	Description	Part Number
09-B	297536	Engine Lockout Switch	
		Ring, lock	151511
		Switch, toggle	268015
09-B3		Engine Lockout Switch (Nema Type 3R & 12)	
		Decal	294435
		Harness Wiring	295134
		Switch, operator	298039
		Contact assembly	298046
09-D	PA-297537	Engine Lockout Key Switch (Loose)	
		Switch, key	297006
		Decal, Auto Test	297008
		Decal, Engine Disconnect	297788
09-D3	PA-294438	Engine Lockout Key Switch (Loose) (Nema Type 3R & 12)	
		Switch, operator	298040
		Contact assembly	298046
		Decal	294439
		Harness wiring	294441
09-E	297537	Engine Lockout Key Switch	
		Ring, lock	151511
		Switch, key	297006
		Decal, Engine Disconnect	297788
09-E3	PA-297538	Engine Lockout Key Switch (Nema Type 3R & 12)	
		Decal	294439
		Switch, operator	298040
		Contact assembly	298046
		Harness wiring	294441

Solenoid Disconnect Switches

KA-Accessory	Kit Number	Description	Part Number
09-F	PA-297538	Solenoid Disconnect Switch (Inhibitor Switch) (Loose)	
		Ring, lock	151511
		Switch, toggle	238357
		Nameplate, Solenoid Disconnect	297786
09-F3	PA-294442	Solenoid Disconnect Switch (Loose) (3R & 12)	
		Decal	294447
		Switch, operator	298039
		Contact assembly	298046
		Block, contact	298052
09-G	PA-297538	Solenoid Disconnect Switch (Inhibitor Switch) (Loose)	
		Ring, lock	151511
		Switch, toggle	238357
		Nameplate, Solenoid Disconnect	297786
09-G3	294442	Solenoid Disconnect Switch	
		Decal	294447
		Harness, wiring	295134
		Switch, operator	298039
		Contact Operator	298046
		Block, contact	298052

Solenoid Disconnect Switches, Continued

KA-Accessory	Kit Number	Description	Part Number
09-H	PA-297539	Solenoid Disconnect Switch (Inhibitor Switch) (Loose)	
		Switch (mechanical) operator	298040
		Contact (electrical) assembly	298050
		Nameplate, Solenoid Disconnect	298373
09-H3	PA-294442	Solenoid Disconnect Switch	
		Switch, operator	298040
		Decal	294447
		Block, contact	298052
09-J	297539	Solenoid Disconnect Switch (Inhibitor Switch)	
		Switch (mechanical) operator	298040
		Contact (electrical) assembly	298050
		Nameplate, Solenoid Disconnect	298373
09-J3	294446	Solenoid Disconnect Switch	
		Decal	294447
		Harness, wiring	294449
		Switch, operator	298040
		Contact assembly	298046
		Block, contact	298052

Two-Position Selector Switches

KA-Accessory	Kit Number	Description	Part Number
10-BR	295619	Two-Position Selector Switch (One Generator Source)	
		Block, terminal	266118
		Nut, weatherproof	295155
		Decal, Engine Start Terminal	295177
		Switch, selector	295317
		Decal, Manual Transfer (225-400 Amp.)	295333
		Decal, Manual Transfer (600-800 Amp.)	295334
		Harness, wiring	295399
		Decal, Source No.	297278
10-BS	PA-295618	Two-Position Selector Switch (One Generator Source)	
		Block, terminal	266118
		Nut, weatherproof	295155
		Decal, Engine Start Terminal	295177
		Switch, selector	295317
		Decal, Manual Transfer (225-400 Amp.)	295333
		Decal, Manual Transfer (600-800 Amp.)	295334
		Harness, wiring	295399
		Decal, Source No.	297278
10-C (See 10-BR or 10-BS)			

Two-Position Selector Switches, Continued

KA-Accessory	Kit Number	Description	Part Number
10-DR	PA-295621	Two-Position Selector Switch (Two Generator Sources)	
		Block, terminal	266118
		Nut, weatherproof	295155
		Harness, wiring	295176
		Decal, Engine Start Terminal	295177
		Switch, selector	295317
		Decal, Manual Transfer (225-400 Amp.)	295333
		Decal, Manual Transfer (600-800 Amp.)	295334
		Decal, Source No.	297278
10-DS	PA- 295620	Two-Position Selector Switch (Two Generator Sources)	
		Block, terminal	266118
		Nut, weatherproof	295155
		Harness, wiring	295176
		Decal, Engine Start Terminal	295177
		Switch, selector	295317
		Decal, Manual Transfer (225-400 Amp.)	295333
		Decal, Manual Transfer (600-800 Amp.)	295334
		Decal, Source No.	297278
10-EE (See 10-ES)			
10-ES	297514	Two-Position Selector Switch (with 50 Hz. Timer)	
		Rectifier, bridge	241610
		Block, terminal	266118
		Wiring, harness	295134
		Pin, trip (cyclenite timer) (4)	295153
		Decal, Engine Start Terminal	295177
		Clock, time	295312
		Decal, Manual Transfer (225-400 Amp.)	295333
		Decal, Manual Transfer (600-800 Amp.)	295334
		Harness, wiring	295399
		Transformer	297048
		Decal, Source No.	297278
		Bracket, mounting	297511
		Switch, selector	297512
		Screw, 8-32 x 4 (3)	X-51-52
		Sleeve (spacer) (3)	265235
		Lever, trip (lumenite timer)	298532
		Screw, trip (lumenite timer) (13)	296277
Nut, captive 6-32	298810		
Nut, captive 8-32 (11)	298811		

Two-Position Selector Switches, Continued

KA-Accessory	Kit Number	Description	Part Number
10-FS	297654	Two-Position Selector Switch (with 60 Hz. Timer)	
		Fuse (2)	X-6135-5
		Block, fuse (2)	X-6129-4
		Block, terminal	266118
		Screw, R.H.M. 6-32 (8)	X-51-15
		Screw, R.H.M. 6-32 (6)	X-49-26
		Clock, time	294541
		Decal, Engine Start	295177
		Harness, wiring	295399
		Transformer	297048
		Track	294622
		Bracket, mounting	297511
		Switch, selector	294870
		Sleeve (spacer) (3)	265235
		Nut, captive 6-32 (6)	298810
Nut, captive 8-32 (8)	298811		
10-GS	297693	Two-Position Selector Switch	
		Block, terminal	266118
		Nut, weatherproof	295155
		Decal, Engine Start	295177
		Switch, selector	295317
		Decal, Manual Transfer (225-400 Amp.)	295333
		Decal, Manual Transfer (600-800 Amp.)	295334
		Harness, wiring	295399
		Decal, Source No.	297278
		Harness, wiring	297694
Nut, captive 8-32 (2)	298811		

Pilot Lights

KA-Accessory	Kit Number	Description	Part Number
12-A	PA-295622	Green-Normal Pilot Light (Loose)	
		Decal, Stripes	297938
		Lamp	295324
		Socket, lamp	295325
		Lens	295327
12-B	PA-295624	Red-Emergency Pilot Light (Loose)	
		Decal, Stripes	297938
		Lamp	295324
		Socket, lamp	295325
		Lens	295328
12-B1	PA-297152	Red-Emergency Pilot Light (Loose)	
		Lamp	295324
		Socket, lamp	297977
		Lens	295972
12-BR3	PA-294464	Red-Emergency Pilot Light (Loose)	
		Light, pilot-base	X-6127-1
		Lens, red	X-6127-2
		Lamp	298840

Pilot Lights, Continued

KA-Accessory	Kit Number	Description	Part Number
12-BS3	PA-294462	Red-Emergency Pilot Light (Loose)	
		Light, pilot-base	X-6127-1
		Lens, red	X-6127-2
12-CR	295622	Green-Normal Pilot Light	
		Lamp	295324
		Socket, lamp	295325
12-CR1	297150	Green-Normal Pilot Light	
		Lamp	295324
		Socket, lamp	297977
12-CR3	294450	Green-Normal Pilot Light (Nema Type 3R & 12)	
		Lamp	298840
		Light, pilot-base	X-6127-1
12-CS	295623	Green-Normal Pilot Light	
		Lens, green	X-6127-4
		Bulb	283420
12-CS1	297151	Green-Normal Pilot Light	
		Lamp	298840
		Socket, lamp	297977
12-CS3	294450	Green-Normal Pilot Light (Nema Type 3R & 12)	
		Lens, green	X-6127-4
		Bulb	283420
12-DR	295625	Red-Emergency Pilot Light	
		Lamp	295324
		Socket, lamp	295325
12-DR1	297153	Red-Emergency Pilot Light	
		Lens	295328
		Lamp	295324
12-DR3	294454	Red-Emergency Pilot Light (Nema Type 3R & 12)	
		Lens, red	X-6127-2
		Lamp	298840
12-DS	295624	Red-Emergency Pilot Light	
		Lens	295328
		Lamp	295324

Pilot Lights, Continued

KA-Accessory	Kit Number	Description	Part Number
12-DS1	297152	Red-Emergency Pilot Light	
		Lamp	295324
		Socket, lamp	297977
		Lens	295972
12-DS3		Red-Emergency Pilot Light (Nema Type 3R & 12)	
		Light, pilot-base	X-6127-1
		Lens, red	X-6127-2
		Bulb	283420
		Lamp	298840
12-E	PA-295626	White-Normal Pilot Light (Loose)	
		Nameplate, Automatic Test	297938
		Lamp	295324
		Socket, lamp	295325
		Lens	295326
12-E1	PA-297154	White-Normal Pilot Light (Loose)	
		Lamp	295324
		Socket, lamp	297977
		Lens	295986
12-E3	PA-294466	White-Normal Pilot Light (Nema Type 3R & 12)	
		Light, pilot-base	X-6127-1
		Lens, clear	X-6127-5
		Bulb	283420
		Lamp	298840
		Tap, wire	298317
12-F	PA-295628	White-Emergency Pilot Light (Loose)	
		Nameplate, Automatic Test	297938
		Lamp	295324
		Socket, lamp	295325
		Lens	295326
12-F1	PA-297156	White-Emergency Pilot Light (Loose)	
		Lamp	295324
		Socket, lamp	297977
		Lens	295986
12-F3	PA-294468	White-Emergency Pilot Light (Nema Type 3R & 12)	
		Light, pilot-base	X-6127-1
		Lens, clear	X-6127-5
		Lamp	298840
12-GR	295626	White-Normal Pilot Light	
		Lamp	295324
		Socket, lamp	295325
		Lens	295326
12-GR1	297154	White-Normal Pilot Light	
		Lamp	295324
		Socket, lamp	297977
		Lens	295986
12-GR3		White-Normal Pilot Light	
		Light, pilot-base	X-6127-1
		Lens, clear	X-6127-5
		Lamp	298840
		Tap, wire	298317

Pilot Lights, Continued

KA-Accessory	Kit Number	Description	Part Number
12-GS	295627	White-Normal Pilot Light	
		Lamp	295324
		Socket, lamp	295325
		Lens	295326
12-GS1	297155	White-Normal Pilot Light	
		Lamp	295324
		Socket, lamp	297977
		Lens	295986
12-GS3		White-Normal Pilot Light (Nema Type 3R & 12)	
		Light, pilot-base	X-6127-1
		Lens, clear	X-6127-5
		Lamp	298840
		Tap, wire	298317
12-HR	295628	White-Emergency Pilot Light	
		Lamp	295324
		Socket, lamp	295325
		Lens	295326
12-HR1	297156	White-Emergency Pilot Light	
		Lamp	295324
		Socket, lamp	297977
		Lens	295986
12-HR3		White-Emergency Pilot Light (Nema Type 3R & 12)	
		Light, pilot-base	X-6127-1
		Lens, clear	X-6127-5
		Lamp	298840
12-HS	295629	White-Emergency Pilot Light	
		Lamp	295324
		Socket, lamp	295325
		Lens	295326
12-HS1	297157	White-Emergency Pilot Light	
		Lamp	295324
		Socket, lamp	297977
		Lens	295986
12-HS3		White-Emergency Pilot Light (Nema Type 3R & 12)	
		Light, pilot-base	X-6127-1
		Lens, clear	X-6127-5
		Lamp	298840
12-JR 12-JS	298847	Green-Normal Pilot Light	
		Socket, light	X-6127-1
		Lens, green	X-6127-4
		Lamp	298840
12-KR 12-KS	298848	Red-Emergency Pilot Light	
		Socket, light	X-6127-1
		Lens, red	X-6127-2
		Lamp	298840
12-LR 12-LS	298849	White-Normal Pilot Light	
		Socket, light	X-6127-1
		Lens, white	X-6127-5
		Tap, wire	298317
		Lamp	298840

Pilot Lights, Continued

KA-Accessory	Kit Number	Description	Part Number
12-MR	298850	White-Emergency Pilot Light	
12-MS		Socket, light	X-6127-1
		Lens, white	X-6127-5
		Lamp	298840
12-T		Push to Test Lamp Switch	
		Switch, operator	298037
		Block, contact (2)	298051
		Block, contact	298052
		Contact assembly	298054
		Nameplate	298313

Auxiliary Contacts

KA-Accessory	Kit Number	Description	Part Number
14-C	295641	Auxiliary Relay Contacts (Normal)	
		Socket, relay	295034
		Hold-down clamp, relay	295189
		Relay	295254
14-D	295642	Auxiliary Relay Contacts (Emergency)	
		Socket, relay	295034
		Hold-down clamp, relay	295189
		Relay	295254
15-EA	PA-297146	Auxiliary Contacts (Normal)	
		Plate, insulator	297275
		Aux. contact (SP)	295166
15-EB	PA-295789	Auxiliary Contacts (Normal)	
		Aux. contact (SP)	295167
15-EC	295787	Auxiliary Contacts (Normal)	
		Aux. contact (SP)	295169
15-FA	297293	Auxiliary Contacts (Emergency) 30-150 Amp.	
		Plate, insulator	297275
		Aux. contact (SP)	295166
15-FB	295789	Auxiliary Contacts (Emergency) 225-400 Amp.	
		Aux. contact (4SP)	295167
15-FC	295787	Auxiliary Contacts (Emergency) 600-800 Amp.	
		Aux. contact (SP)	295169
15-GA	295786	Auxiliary Contacts (Normal) 30-150 Amp.	
		Plate, insulator (2)	297275
		Aux. contact (SP) (2)	295166
15-GB	295789	Auxiliary Contacts (Normal) 225-400 Amp.	
		Aux. contact (4SP)	295167
15-GC	295790	Auxiliary Contacts (Normal) 600-800 Amp.	
		Actuator, contact	295170
		Aux. contact (SP) (2)	295169
15-GD	297302	Auxiliary Contacts (Normal) 1000-1200 Amp.	
		Aux. contact (4SP)	297997
15-GE	297313	Auxiliary Contacts (Normal) 1600-2000 Amp.	
		Aux. contact	297576
15-GF	297313	Auxiliary Contacts (Normal) 3000 Amp.	
		Aux. contact	297576

Auxiliary Contacts, Continued

KA-Accessory	Kit Number	Description	Part Number
15-GG	297313	Auxiliary Contacts (Normal) 4000 Amp. Aux. contact	297576
15-HA	295788	Auxiliary Contacts (Emergency) 30-150 Amp. Plate, insulator (2) Aux. contact (SP) (2)	295275 295166
15-HB	295789	Auxiliary Contacts (Emergency) 225-400 Amp. Aux. contact (SP)	295167
15-HC	295790	Auxiliary Contacts (Emergency) 600-800 Amp. Actuator, contact Aux. contact (SP) (2)	295170 295169
15-HD	297302	Auxiliary Contacts (Emergency) 1000-1200 Amp. Aux. contact (4SP)	297997
15-HE	297313	Auxiliary Contacts (Emergency) 1600-2000 Amp. Aux. contact	297576
15-HF	297313	Auxiliary Contacts (Emergency) 3000 Amp. Aux. contact	297576
15-HG	297313	Auxiliary Contacts (Emergency) 4000 Amp. Aux. contact	297576
15-JA	297147	Auxiliary Contacts (Normal) 30-150 Amp. Aux. contact (SP) (3)	295166
15-JB	295794	Auxiliary Contacts (Normal) 225-400 Amp. Aux. contact (4SP) Aux. contact (SPDT) (2)	295167 295168
15-JC	295792	Auxiliary Contacts (Normal) 600-800 Amp. Aux. contact (SP) (3) Actuator, contact	295169 295170
15-KA	295791	Auxiliary Contacts (Emergency) Aux. contact (SP) (3) Plate, insulator (3)	295166 297275
15-KB	295794	Auxiliary Contacts (Emergency) 30-150 Amp. Aux. contact (4SP) Aux. contact (SPST) (2)	295167 295168
15-KC	295792	Auxiliary Contacts (Emergency) 225-400 Amp. Aux. contact (SP) (3) Actuator, contact	295169 295170
15-LB	295789	Auxiliary Contacts 225-400 Amp. Aux. contact	295167
15-LD	297302	Auxiliary Contacts Aux. contact	297997
15-LE	297313	Auxiliary Contacts Aux. contact	297576
15-MB	295794	Auxiliary Contacts Aux. contact Aux. contact	295167 295168

Frequency Meters

KA-Accessory	Kit Number	Description	Part Number
18-GA	PA-295645	Frequency Meter Kit 120 Volt	
		Fuse (2 Amp.)	239049
		Holder, fuse	239050
18-GB	PA-295646	Frequency Meter Kit 208 Volt	
		Fuse (2 Amp.)	239049
		Holder, fuse	239050
18-GC	PA-295647	Frequency Meter Kit 240 Volt	
		Fuse (2 Amp.)	239049
		Holder, fuse	239050
18-GD	PA-295648	Frequency Meter Kit 380 Volt	
		Fuse (2 Amp.)	239049
		Holder, fuse	239050
18-GE	PA-295649	Frequency Meter Kit 416 Volt	
		Fuse (2 Amp.)	239049
		Holder, fuse	239050
18-GF	PA-295650	Frequency Meter Kit 440 Volt	
		Fuse (2 Amp.)	239049
		Holder, fuse	239050
18-GG	PA-295651	Frequency Meter Kit 550-600 Volt	
		Fuse (2 Amp.)	239049
		Holder, fuse	239050
18-GR	PA-295650	Frequency Meter Kit	
		Fuse (2 Amp.)	239049
		Holder, fuse	239050
		Meter, frequency	295069
		Transformer	295302

Hourmeter Kits

KA-Accessory	Kit Number	Description	Part Number
18-HA	295774	Hourmeter Kit 110V, 50 Hz.	
		Fuse (2 Amp.)	239049
		Holder, fuse	239050
18-HB	295775	Hourmeter Kit 120V, 60 Hz.	
		Fuse (2 Amp.)	239049
		Holder, fuse	239050
		Hourmeter	295160

Hourmeter Kits, Continued

KA-Accessory	Kit Number	Description	Part Number
18-HC	295776	Hourmeter Kit 220V, 50 Hz.	
		Fuse (2 Amp.)	239049
		Holder, fuse	239050
		Hourmeter	295162
18-HD	295777	Hourmeter Kit 240V, 60 Hz.	
		Fuse (2 Amp.)	239049
		Holder, fuse	239050
		Hourmeter	295162
18-HE	295778	Hourmeter Kit 190V, 50 Hz.	
		Fuse (2 Amp.)	239049
		Holder, fuse	239050
		Hourmeter	295162
18-HF	295779	Hourmeter Kit 208V, 60 Hz.	
		Fuse (2 Amp.)	239049
		Holder, fuse	239050
		Hourmeter	295162
18-HG	295780	Hourmeter Kit 550V, 50 Hz.	
		Fuse (2 Amp.)	239049
		Holder, fuse	239050
		Hourmeter	295160
		Transformer	295299
18-HH	295781	Hourmeter Kit 480V, 60 Hz.	
		Fuse (2 Amp.)	239049
		Holder, fuse	239050
		Hourmeter	295160
		Transformer	295302
18-HJ	295782	Hourmeter Kit 440V, 50 Hz.	
		Fuse (2 Amp.)	239049
		Holder, fuse	239050
		Hourmeter	295160
		Transformer	295302
18-HK	295783	Hourmeter Kit 380V, 50 Hz.	
		Fuse (2 Amp.)	239049
		Holder, fuse	239050
		Hourmeter	295160
		Transformer	295300
18-HL	295784	Hourmeter Kit 416V, 50 Hz.	
		Fuse (2 Amp.)	239049
		Holder, fuse	239050
		Hourmeter	295160
		Transformer	295301
18-HM	295785	Hourmeter Kit 600V, 60 Hz.	
		Fuse (2 Amp.)	239049
		Holder, fuse	239050
		Hourmeter	295160
		Transformer	295299

Voltmeter, Ammeter, and Selector Switches

KA-Accessory	Kit Number	Description	Part Number
18-JA1	295630	Voltmeter, Ammeter, and Selector Switch (110-120V, 30 Amp. 1 \emptyset)	
		Voltmeter	295344
		Ammeter	295336
		Transformer, current	295019
		Switch, selector	283638
		Nameplate, Selector Switch	295343
		2-Amp fuse	239049
		Holder, fuse	239050
		Conduit, plastic	X-6003-36
18-JA2	295631	Voltmeter, Ammeter, and Selector Switch (190-208V, 30 Amp. 3 \emptyset)	
		Voltmeter	295011
		Ammeter	295336
		Transformer, current (3)	295019
		Switch, selector	283638
		Nameplate, Selector Switch	295342
		2-Amp fuse	239049
		Holder, fuse	239050
		Conduit, plastic	X-6003-36
18-JA3	295632	Voltmeter, Ammeter, and Selector Switch (190-240V, 30 Amp. 1 \emptyset)	
		Voltmeter	295011
		Ammeter	295336
		Transformer, current	295019
		Switch, selector	283638
		Nameplate, Selector Switch	295343
		2-Amp fuse	239049
		Holder, fuse	239050
		Conduit, plastic	X-6003-36
18-JA4	295633	Voltmeter, Ammeter, and Selector Switch (220-240V, 30 Amp. 1 \emptyset)	
		Voltmeter	295011
		Ammeter	295336
		Transformer, current (2)	295019
		Switch, selector	283638
		Nameplate, Selector Switch	295341
		2-Amp fuse	239049
		Holder, fuse	239050
		Conduit, plastic	X-6003-36
18-JA5	295634	Voltmeter, Ammeter, and Selector Switch (220-240V, 30 Amp. 3 \emptyset)	
		Voltmeter	295011
		Ammeter	295336
		Transformer, current (3)	295019
		Switch, selector	283638
		Nameplate, Selector Switch	295342
		2-Amp fuse	239049
		Holder, fuse	239050
		Conduit, plastic	X-6003-36

Voltmeter, Ammeter, and Selector Switches, Continued

KA-Accessory	Kit Number	Description	Part Number
18-JA6 (See 18-JA9)			
18-JA7 (See 18-JA9)			
18-JA8	295637	Voltmeter, Ammeter, and Selector Switch (380-480V, 30 Amp. 1 \emptyset)	
		Voltmeter	295014
		Transformer	295302
		Ammeter	295336
		Transformer, current	295019
		Switch, selector	283638
		Nameplate, Selector Switch	295343
		Resistor	295396
		2-Amp fuse	239049
		Holder, fuse	239050
		Conduit, plastic	X-6003-36
18-JA9	295638	Voltmeter, Ammeter, and Selector Switch (440-480V, 30 Amp. 3 \emptyset)	
		Voltmeter	295014
		Transformer	295302
		Ammeter	295336
		Transformer, current (3)	295019
		Switch, selector	283638
		Nameplate, Selector Switch	295342
		Resistor	295396
		2-Amp fuse	239049
		Holder, fuse	239050
		Conduit, plastic	X-6003-36
18-JA10	295639	Voltmeter, Ammeter, and Selector Switch (550-600V, 30 Amp. 3 \emptyset)	
		Voltmeter	295017
		Transformer	295299
		Ammeter	295336
		Transformer, current (3)	295019
		Switch, selector	283638
		Nameplate, Selector Switch	295342
		Resistor	295396
		2-Amp fuse	239049
		Holder, fuse	239050
		Conduit, plastic	X-6003-36
18-JB1	295652	Voltmeter, Ammeter, and Selector Switch (110-120V, 70 Amp. 1 \emptyset)	
		Voltmeter	295344
		Ammeter	295337
		Transformer, current	246884
		Switch, selector	283638
		Nameplate, Selector Switch	295343
		2-Amp fuse	239049
		Holder, fuse	239050
		Conduit, plastic	X-6003-36

Voltmeter, Ammeter, and Selector Switches, Continued

KA-Accessory	Kit Number	Description	Part Number
18-JB2	295653	Voltmeter, Ammeter, and Selector Switch (190-208V, 70 Amp. 3 \emptyset)	
		Voltmeter	295011
		Ammeter	295337
		Transformer, current (3)	246884
		Switch, selector	283638
		Nameplate, Selector Switch	295342
		2-Amp fuse	239049
		Holder, fuse	239050
		Conduit, plastic	X-6003-36
18-JB3	295654	Voltmeter, Ammeter, and Selector Switch (190-240V, 70 Amp. 1 \emptyset)	
		Voltmeter	295011
		Ammeter	295337
		Transformer, current	246884
		Switch, selector	283638
		Nameplate, Selector Switch	295343
		2-Amp fuse	239049
		Holder, fuse	239050
		Conduit, plastic	X-6003-36
18-JB4	295655	Voltmeter, Ammeter, and Selector Switch (220-240V, 70 Amp. 1 \emptyset)	
		Voltmeter	295011
		Ammeter	295337
		Transformer, current (2)	246884
		Switch, selector	283638
		Nameplate, Selector Switch	295341
		2-Amp fuse	239049
		Holder, fuse	239050
		Conduit, plastic	X-6003-36
18-JB5	295656	Voltmeter, Ammeter, and Selector Switch (220-240V, 70 Amp. 3 \emptyset)	
		Voltmeter	295011
		Ammeter	295337
		Transformer, current (3)	246884
		Switch, selector	283638
		Nameplate, Selector Switch	295342
		2-Amp fuse	239049
		Holder, fuse	239050
		Conduit, plastic	X-6003-36
18-JB6 (See 18-JB9)			
18-JB7 (See 18-JB9)			

Voltmeter, Ammeter, and Selector Switches, Continued

KA-Accessory	Kit Number	Description	Part Number
18-JB8	295659	Voltmeter, Ammeter, and Selector Switch (380-480V, 70 Amp. 1 \emptyset)	
		Voltmeter	295014
		Transformer	295302
		Ammeter	295337
		Transformer, current	246884
		Switch, selector	283638
		Nameplate, Selector Switch	295343
		Resistor	295396
		2-Amp fuse	239049
		Holder, fuse	239050
		Conduit, plastic	X-6003-36
18-JB9	295660	Voltmeter, Ammeter, and Selector Switch (440-480V, 70 Amp. 3 \emptyset)	
		Voltmeter	295014
		Transformer	295302
		Ammeter	295337
		Transformer, current (3)	246884
		Switch, selector	283638
		Nameplate, Selector Switch	295342
		Resistor	295396
		2-Amp fuse	239049
		Holder, fuse	239050
		Conduit, plastic	X-6003-36
18-JB10	295661	Voltmeter, Ammeter, and Selector Switch (550-600V, 70 Amp. 3 \emptyset)	
		Voltmeter	295017
		Transformer	295299
		Ammeter	295337
		Transformer, current (3)	246884
		Switch, selector	283638
		Nameplate, Selector Switch	295342
		Resistor	295396
		2-Amp fuse	239049
		Holder, fuse	239050
		Conduit, plastic	X-6003-36
18-JC1	295662	Voltmeter, Ammeter, and Selector Switch (110-120V, 104 Amp. 1 \emptyset)	
		Voltmeter	295344
		Ammeter	295338
		Transformer, current	246885
		Switch, selector	283638
		Nameplate, Selector Switch	295343
		2-Amp fuse	239049
		Holder, fuse	239050
		Conduit, plastic	X-6003-36

Voltmeter, Ammeter, and Selector Switches, Continued

KA-Accessory	Kit Number	Description	Part Number
18-JC2	295663	Voltmeter, Ammeter, and Selector Switch (190-208V, 100-104 Amp. 3 \emptyset)	
		Voltmeter	295011
		Ammeter	295338
		Transformer, current (3)	246885
		Switch, selector	283638
		Nameplate, Selector Switch	295342
		2-Amp fuse	239049
		Holder, fuse	239050
		Conduit, plastic	X-6003-36
18-JC3	295664	Voltmeter, Ammeter, and Selector Switch (190-240V, 100-104 Amp. 1 \emptyset)	
		Voltmeter	295011
		Ammeter	295338
		Transformer, current	246885
		Switch, selector	283638
		Nameplate, Selector Switch	295341
		2-Amp fuse	239049
		Holder, fuse	239050
		Conduit, plastic	X-6003-36
18-JC4	295665	Voltmeter, Ammeter, and Selector Switch (220-240V, 100-104 Amp. 1 \emptyset)	
		Voltmeter	295011
		Ammeter	295338
		Transformer, current (2)	246885
		Switch, selector	283638
		Nameplate, Selector Switch	295341
		2-Amp fuse	239049
		Holder, fuse	239050
		Conduit, plastic	X-6003-36
18-JC5	295666	Voltmeter, Ammeter, and Selector Switch (220-240V, 100-104 Amp. 3 \emptyset)	
		Voltmeter	295011
		Ammeter	295338
		Transformer, current (3)	246885
		Switch, selector	283638
		Nameplate, Selector Switch	295342
		2-Amp fuse	239049
		Holder, fuse	239050
		Conduit, plastic	X-6003-36
18-JC6 (See 18-JC9)			
18-JC7 (See 18-JC9)			

Voltmeter, Ammeter, and Selector Switches, Continued

KA-Accessory	Kit Number	Description	Part Number
18-JC8	295669	Voltmeter, Ammeter, and Selector Switch (380-480V, 100-104 Amp. 1 \emptyset)	
		Voltmeter	295014
		Transformer	295302
		Ammeter	295338
		Transformer, current	246885
		Switch, selector	283638
		Nameplate, Selector Switch	295343
		Resistor	295396
		2-Amp fuse	239049
		Holder, fuse	239050
		Conduit, plastic	X-6003-36
18-JC9	295670	Voltmeter, Ammeter, and Selector Switch (440-480V, 100-104 Amp. 3 \emptyset)	
		Voltmeter	295014
		Transformer	295302
		Ammeter	295338
		Transformer, current (3)	246885
		Switch, selector	283638
		Nameplate, Selector Switch	295342
		Resistor	295396
		2-Amp fuse	239049
		Holder, fuse	239050
		Conduit, plastic	X-6003-36
18-JC10	295671	Voltmeter, Ammeter, and Selector Switch (550-600V, 100-104 Amp. 3 \emptyset)	
		Voltmeter	295017
		Transformer	295299
		Ammeter	295338
		Transformer, current (3)	246885
		Switch, selector	283638
		Nameplate, Selector Switch	295342
		Resistor	295396
		2-Amp fuse	239049
		Holder, fuse	239050
		Conduit, plastic	X-6003-36
18-JD1	295672	Voltmeter, Ammeter, and Selector Switch (110-120V, 150 Amp. 1 \emptyset)	
		Voltmeter	295344
		Ammeter	295337
		Transformer, current	246886
		Switch, selector	283638
		Nameplate, Selector Switch	295343
		2-Amp fuse	239049
		Holder, fuse	239050
		Conduit, plastic	X-6003-36

Voltmeter, Ammeter, and Selector Switches, Continued

KA-Accessory	Kit Number	Description	Part Number
18-JD2	295673	Voltmeter, Ammeter, and Selector Switch (190-208V, 150 Amp. 3 \emptyset)	
		Voltmeter	295011
		Ammeter	295337
		Transformer, current (3)	246886
		Switch, selector	283638
		Nameplate, Selector Switch	295342
		2-Amp fuse	239049
		Holder, fuse	239050
		Conduit, plastic	X-6003-36
18-JD3	295674	Voltmeter, Ammeter, and Selector Switch (190-240V, 150 Amp. 1 \emptyset)	
		Voltmeter	295011
		Ammeter	295337
		Transformer, current	246886
		Switch, selector	283638
		Nameplate, Selector Switch	295343
		2-Amp fuse	239049
		Holder, fuse	239050
		Conduit, plastic	X-6003-36
18-JD4	295675	Voltmeter, Ammeter, and Selector Switch (220-240V, 150 Amp. 1 \emptyset)	
		Voltmeter	295011
		Ammeter	295337
		Transformer, current (2)	246886
		Switch, selector	283638
		Nameplate, Selector Switch	295341
		2-Amp fuse	239049
		Holder, fuse	239050
		Conduit, plastic	X-6003-36
18-JD5	295676	Voltmeter, Ammeter, and Selector Switch (220-240V, 150 Amp. 3 \emptyset)	
		Voltmeter	295011
		Ammeter	295337
		Transformer, current (3)	246886
		Switch, selector	283638
		Nameplate, Selector Switch	295342
		2-Amp fuse	239049
		Holder, fuse	239050
		Conduit, plastic	X-6003-36
18-JD6 (See 18-JD9)			
18-JD7 (See 18-JD9)			

Voltmeter, Ammeter, and Selector Switches, Continued

KA-Accessory	Kit Number	Description	Part Number
18-JD8	295679	Voltmeter, Ammeter, and Selector Switch (380-480V, 150 Amp. 1 \emptyset)	
		Voltmeter	295014
		Transformer	295302
		Ammeter	295337
		Transformer, current	246886
		Switch, selector	283638
		Nameplate, Selector Switch	295343
		Resistor	295396
		2-Amp fuse	239049
		Holder, fuse	239050
		Conduit, plastic	X-6003-36
18-JD9	295680	Voltmeter, Ammeter, and Selector Switch (440-480V, 150 Amp. 3 \emptyset)	
		Voltmeter	295014
		Transformer	295302
		Ammeter	295337
		Transformer, current (3)	246886
		Switch, selector	283638
		Nameplate, Selector Switch	295342
		Resistor	295396
		2-Amp fuse	239049
		Holder, fuse	239050
		Conduit, plastic	X-6003-36
18-JD10	295681	Voltmeter, Ammeter, and Selector Switch (550-600V, 150 Amp. 3 \emptyset)	
		Voltmeter	295017
		Transformer	295299
		Ammeter	295337
		Transformer, current (3)	246886
		Switch, selector	283638
		Nameplate, Selector Switch	295342
		Resistor	295396
		2-Amp fuse	239049
		Holder, fuse	239050
		Conduit, plastic	X-6003-36
18-JE1	295682	Voltmeter, Ammeter, and Selector Switch (110-120V, 225-260 Amp. 1 \emptyset)	
		Voltmeter	295344
		Ammeter	295339
		Transformer, current	246889
		Switch, selector	283638
		Nameplate, Selector Switch	295343
		2-Amp fuse	239042
		Holder, fuse	239050
		Conduit, plastic	X-6003-36

Voltmeter, Ammeter, and Selector Switches, Continued

KA-Accessory	Kit Number	Description	Part Number
18-JE2	295683	Voltmeter, Ammeter, and Selector Switch (190-208V, 225-260 Amp. 3 \emptyset)	
		Voltmeter	295011
		Ammeter	295339
		Transformer, current (3)	246889
		Switch, selector	283638
		Nameplate, Selector Switch	295342
		2-Amp fuse	239042
		Holder, fuse	239050
		Conduit, plastic	X-6003-36
18-JE3	295684	Voltmeter, Ammeter, and Selector Switch (190-240V, 225-260 Amp. 1 \emptyset)	
		Voltmeter	295011
		Ammeter	295339
		Transformer, current	246889
		Switch, selector	283638
		Nameplate, Selector Switch	295343
		2-Amp fuse	239049
		Holder, fuse	239050
		Conduit, plastic	X-6003-36
18-JE4	295685	Voltmeter, Ammeter, and Selector Switch (220-240V, 225-260 Amp. 1 \emptyset)	
		Voltmeter	295011
		Ammeter	295339
		Transformer, current (2)	246889
		Switch, selector	283638
		Nameplate, Selector Switch	295341
		2-Amp fuse	239049
		Holder, fuse	239050
		Conduit, plastic	X-6003-36
18-JE5	295686	Voltmeter, Ammeter, and Selector Switch (220-240V, 225-260 Amp. 3 \emptyset)	
		Voltmeter	295011
		Ammeter	295339
		Transformer, current (3)	246889
		Switch, selector	283638
		Nameplate, Selector Switch	295342
		2-Amp fuse	239049
		Holder, fuse	239050
		Conduit, plastic	X-6003-36
18-JE6 (See 18-JE9)			
18-JE7 (See 18-JE9)			

Voltmeter, Ammeter, and Selector Switches, Continued

KA-Accessory	Kit Number	Description	Part Number
18-JE8	295689	Voltmeter, Ammeter, and Selector Switch (380-480V, 225-260 Amp. 1 \emptyset)	
		Voltmeter	295014
		Transformer	295302
		Ammeter	295339
		Transformer, current	246889
		Switch, selector	283638
		Nameplate, Selector Switch	295343
		Resistor	295396
		2-Amp fuse	239049
		Holder, fuse	239050
		Conduit, plastic	X-6003-36
18-JE9	295690	Voltmeter, Ammeter, and Selector Switch (440-480V, 225-260 Amp. 3 \emptyset)	
		Voltmeter	295014
		Transformer	295302
		Ammeter	295339
		Transformer, current (3)	246889
		Switch, selector	283638
		Nameplate, Selector Switch	295342
		Resistor	295396
		2-Amp fuse	239049
		Holder, fuse	239050
		Conduit, plastic	X-6003-36
18-JE10	295691	Voltmeter, Ammeter, and Selector Switch (550-600V, 225-260 Amp. 3 \emptyset)	
		Voltmeter	295017
		Transformer	295299
		Ammeter	295339
		Transformer, current (3)	246889
		Switch, selector	283638
		Nameplate, Selector Switch	295342
		Resistor	295396
		2-Amp fuse	239049
		Holder, fuse	239050
		Conduit, plastic	X-6003-36
18-JF1	295692	Voltmeter, Ammeter, and Selector Switch (110-120V, 400 Amp. 1 \emptyset)	
		Voltmeter	295344
		Ammeter	295340
		Transformer, current	248874
		Switch, selector	283638
		Nameplate, Selector Switch	295343
		2-Amp fuse	239049
		Holder, fuse	239050
		Conduit, plastic	X-6003-36

Voltmeter, Ammeter, and Selector Switches, Continued

KA-Accessory	Kit Number	Description	Part Number
18-JF2	295693	Voltmeter, Ammeter, and Selector Switch (190-208V, 400 Amp. 3 \emptyset)	
		Voltmeter	295011
		Ammeter	295340
		Transformer, current (3)	248874
		Switch, selector	283638
		Nameplate, Selector Switch	295342
		2-Amp fuse	239049
		Holder, fuse	239050
		Conduit, plastic	X-6003-36
18-JF3	295694	Voltmeter, Ammeter, and Selector Switch (190-240V, 400 Amp. 1 \emptyset)	
		Voltmeter	295011
		Ammeter	295340
		Transformer, current	248874
		Switch, selector	283638
		Nameplate, Selector Switch	295343
		2-Amp fuse	239049
		Holder, fuse	239050
		Conduit, plastic	X-6003-36
18-JF4	295695	Voltmeter, Ammeter, and Selector Switch (220-240V, 400 Amp. 1 \emptyset)	
		Voltmeter	295011
		Ammeter	295340
		Transformer, current (2)	248874
		Switch, selector	283638
		Nameplate, Selector Switch	295341
		2-Amp fuse	239049
		Holder, fuse	239050
		Conduit, plastic	X-6003-36
18-JF5	295696	Voltmeter, Ammeter, and Selector Switch (220-240V, 400 Amp. 3 \emptyset)	
		Voltmeter	295011
		Ammeter	295340
		Transformer, current (3)	248874
		Switch, selector	283638
		Nameplate, Selector Switch	295342
		2-Amp fuse	239049
		Holder, fuse	239050
		Conduit, plastic	X-6003-36
18-JF6 (See 18-JF9)			
18-JF7 (See 18-JF9)			

Voltmeter, Ammeter, and Selector Switches, Continued

KA-Accessory	Kit Number	Description	Part Number
18-JF8	295699	Voltmeter, Ammeter, and Selector Switch (380-480V, 400 Amp. 1 \emptyset)	
		Voltmeter	295014
		Transformer	295302
		Ammeter	295340
		Transformer, current	248874
		Switch, selector	283638
		Nameplate, Selector Switch	295343
		Resistor	295396
		2-Amp fuse	239049
		Holder, fuse	239050
		Conduit, plastic	X-6003-36
18-JF9	295700	Voltmeter, Ammeter, and Selector Switch (440-480V, 400 Amp. 3 \emptyset)	
		Voltmeter	295014
		Transformer	295302
		Ammeter	295340
		Transformer, current (3)	248874
		Switch, selector	283638
		Nameplate, Selector Switch	295342
		Resistor	295396
		2-Amp fuse	239049
		Holder, fuse	239050
		Conduit, plastic	X-6003-36
18-JF10	295701	Voltmeter, Ammeter, and Selector Switch (550-600V, 400 Amp. 3 \emptyset)	
		Voltmeter	295017
		Transformer	295299
		Ammeter	295340
		Transformer, current (3)	248874
		Switch, selector	283638
		Nameplate, Selector Switch	295342
		Resistor	295396
		2-Amp fuse	239049
		Holder, fuse	239050
		Conduit, plastic	X-6003-36
18-JG1	295702	Voltmeter, Ammeter, and Selector Switch (110-120V, 600 Amp. 1 \emptyset)	
		Voltmeter	295344
		Ammeter	295339
		Transformer, current	297148
		Switch, selector	283638
		Nameplate, Selector Switch	295343
		2-Amp fuse	239049
		Holder, fuse	239050
		Conduit, plastic	X-6003-36

Voltmeter, Ammeter, and Selector Switches, Continued

KA-Accessory	Kit Number	Description	Part Number
18-JG2	295703	Voltmeter, Ammeter, and Selector Switch (190-208V, 600 Amp. 3 \emptyset)	
		Voltmeter	295011
		Ammeter	295339
		Transformer, current (3)	297148
		Switch, selector	283638
		Nameplate, Selector Switch	295342
		2-Amp fuse	239049
		Holder, fuse	239050
		Conduit, plastic	X-6003-36
18-JG3	295704	Voltmeter, Ammeter, and Selector Switch (190-240V, 600 Amp. 1 \emptyset)	
		Voltmeter	295011
		Ammeter	295339
		Transformer, current	297148
		Switch, selector	283638
		Nameplate, Selector Switch	295343
		2-Amp fuse	239049
		Holder, fuse	239050
		Conduit, plastic	X-6003-36
18-JG4	295705	Voltmeter, Ammeter, and Selector Switch (220-240V, 600 Amp. 1 \emptyset)	
		Voltmeter	295011
		Ammeter	295339
		Transformer, current (2)	297148
		Switch, selector	283638
		Nameplate, Selector Switch	295341
		2-Amp fuse	239049
		Holder, fuse	239050
		Conduit, plastic	X-6003-36
18-JG5	295706	Voltmeter, Ammeter, and Selector Switch (220-240V, 600 Amp. 3 \emptyset)	
		Voltmeter	295011
		Ammeter	295339
		Transformer, current (3)	297148
		Switch, selector	283638
		Nameplate, Selector Switch	295342
		2-Amp fuse	239049
		Holder, fuse	239050
		Conduit, plastic	X-6003-36
18-JG6 (See 18-JG9)			
18-JG7 (See 18-JG9)			

Voltmeter, Ammeter, and Selector Switches, Continued

KA-Accessory	Kit Number	Description	Part Number
18-JG8	295709	Voltmeter, Ammeter, and Selector Switch (380-480V, 600 Amp. 1 \emptyset)	
		Voltmeter	295014
		Transformer	295302
		Ammeter	295339
		Transformer, current	297148
		Switch, selector	283638
		Nameplate, Selector Switch	295343
		Resistor	295396
		2-Amp fuse	239049
		Holder, fuse	239050
		Conduit, plastic	X-6003-36
18-JG9	295710	Voltmeter, Ammeter, and Selector Switch (440-480V, 600 Amp. 3 \emptyset)	
		Voltmeter	295014
		Transformer	295302
		Ammeter	295339
		Transformer, current (3)	297148
		Switch, selector	283638
		Nameplate, Selector Switch	295342
		Resistor	295396
		2-Amp fuse	239049
		Holder, fuse	239050
		Conduit, plastic	X-6003-36
18-JG10	295711	Voltmeter, Ammeter, and Selector Switch (550-600V, 600 Amp. 3 \emptyset)	
		Voltmeter	295017
		Transformer	295299
		Ammeter	295339
		Transformer, current (3)	297148
		Switch, selector	283638
		Nameplate, Selector Switch	295342
		Resistor	295396
		2-Amp fuse	239049
		Holder, fuse	239050
		Conduit, plastic	X-6003-36
18-JH1	295712	Voltmeter, Ammeter, and Selector Switch (110-120V, 800 Amp. 1 \emptyset)	
		Voltmeter	295344
		Ammeter	295340
		Transformer, current	297149
		Switch, selector	283638
		Nameplate, Selector Switch	295343
		2-Amp fuse	239049
		Holder, fuse	239050
		Conduit, plastic	X-6003-36

Voltmeter, Ammeter, and Selector Switches, Continued

KA-Accessory	Kit Number	Description	Part Number
18-JH2	295713	Voltmeter, Ammeter, and Selector Switch (190-208V, 800 Amp. 3 \emptyset)	
		Voltmeter	295011
		Ammeter	295340
		Transformer, current (3)	297149
		Switch, selector	283638
		Nameplate, Selector Switch	295342
		2-Amp fuse	239049
		Holder, fuse	239050
		Conduit, plastic	X-6003-36
18-JH3	295714	Voltmeter, Ammeter, and Selector Switch (190-240V, 800 Amp. 1 \emptyset)	
		Voltmeter	295011
		Ammeter	295340
		Transformer, current	297149
		Switch, selector	283638
		Nameplate, Selector Switch	295343
		2-Amp fuse	239049
		Holder, fuse	239050
		Conduit, plastic	X-6003-36
18-JH4	295715	Voltmeter, Ammeter, and Selector Switch (220-240V, 800 Amp. 1 \emptyset)	
		Voltmeter	295011
		Ammeter	295340
		Transformer, current (2)	297149
		Switch, selector	283638
		Nameplate, Selector Switch	295341
		2-Amp fuse	239049
		Holder, fuse	239050
		Conduit, plastic	X-6003-36
18-JH5	295716	Voltmeter, Ammeter, and Selector Switch (220-240V, 800 Amp. 3 \emptyset)	
		Voltmeter	295011
		Ammeter	295340
		Transformer, current (3)	297149
		Switch, selector	283638
		Nameplate, Selector Switch	295342
		2-Amp fuse	239049
		Holder, fuse	239050
		Conduit, plastic	X-6003-36
18-JH6 (See 18-JH9)			
18-JH7 (See 18-JH9)			

Voltmeter, Ammeter, and Selector Switches, Continued

KA-Accessory	Kit Number	Description	Part Number
18-JH8	295719	Voltmeter, Ammeter, and Selector Switch (380-480V, 800 Amp. 1 \emptyset)	
		Voltmeter	295014
		Transformer	295302
		Ammeter	295340
		Transformer, current	297149
		Switch, selector	283638
		Nameplate, Selector Switch	295342
		Resistor	295396
		2-Amp fuse	239049
		Holder, fuse	239050
		Conduit, plastic	X-6003-36
18-JH9	295720	Voltmeter, Ammeter, and Selector Switch (440-480V, 800 Amp. 3 \emptyset)	
		Voltmeter	295014
		Transformer	295302
		Ammeter	295340
		Transformer, current (3)	297149
		Switch, selector	283638
		Nameplate, Selector Switch	295342
		Resistor	295396
		2-Amp fuse	239049
		Holder, fuse	239059
		Conduit, plastic	X-6003-36
18-JH10	295721	Voltmeter, Ammeter, and Selector Switch (550-600V, 800 Amp. 3 \emptyset)	
		Voltmeter	295017
		Transformer	295299
		Ammeter	295340
		Transformer, current (3)	297149
		Switch, selector	283638
		Nameplate, Selector Switch	295342
		Resistor	295396
		2-Amp fuse	239049
		Holder, fuse	239050
		Conduit, plastic	X-6003-36
18-JH11	297118	Voltmeter, Ammeter, and Selector Switch (380-480V, 1200 Amp. 3 \emptyset)	
		Voltmeter	297119
		Transformer	295302
		Ammeter	282810
		Transformer, current (3)	291547
		Switch, selector	283638
		Nameplate, Selector Switch	295342
		Resistor	295396
		2-Amp fuse	239049
		Holder, fuse	239050

Voltmeter, Ammeter, and Selector Switches, Continued

KA-Accessory	Kit Number	Description	Part Number
18-JM2	297671	Voltmeter, Ammeter, and Selector Switch (190-240V, 1600-2000 Amp. 3Ø)	
		Voltmeter	295011
		Ammeter	282960
		Transformer, current (3)	291548
		Switch, selector	283638
		Nameplate, Selector Switch	295342
		2-Amp fuse	239049
		Holder, fuse	239050
		Conduit, plastic	X-6003-36
18-JM9	297672	Voltmeter, Ammeter, and Selector Switch (380-480V, 1600-2000 Amp. 3Ø)	
		Voltmeter	295014
		Transformer	295302
		Ammeter	282960
		Transformer, current (3)	291548
		Switch, selector	283638
		Nameplate, Selector Switch	295342
		Resistor	295396
		2-Amp fuse	239049
		Holder, fuse	239050
		Conduit, plastic	X-6003-36
18-JN2	297673	Voltmeter, Ammeter, and Selector Switch (190-240V, 3000 Amp. 3Ø)	
		Voltmeter	295011
		Ammeter	282959
		Transformer, current (3)	297675
		Switch, selector	283638
		Nameplate, Selector Switch	295342
		2-Amp fuse	239049
		Holder, fuse	239050
		Conduit, plastic	X-6003-36
18-JN9	297674	Voltmeter, Ammeter, and Selector Switch (380-480V, 3000 Amp. 3Ø)	
		Voltmeter	295014
		Transformer	295302
		Ammeter	282959
		Transformer, current (3)	297675
		Switch, selector	283638
		Nameplate, Selector Switch	295342
		Resistor	295396
		2-Amp fuse	239049
		Holder, fuse	239050
		Conduit, plastic	X-6003-36

Voltmeter, Ammeter, and Selector Switches, Continued

KA-Accessory	Kit Number	Description	Part Number
18-JP2	297678	Voltmeter, Ammeter, and Selector Switch (190-240V, 4000 Amp. 3Ø)	
		Voltmeter	295011
		Ammeter	282960
		Transformer, current (3)	297676
		Switch, selector	283638
		Nameplate, Selector Switch	295342
		2-Amp fuse	239049
		Holder, fuse	239050
		Conduit, plastic	X-6003-36
18-JP9	297679	Voltmeter, Ammeter, and Selector Switch (380-480V, 4000 Amp. 3Ø)	
		Voltmeter	295014
		Transformer	295302
		Ammeter	282960
		Transformer, current (3)	297676
		Switch, selector	283638
		Nameplate, Selector Switch	295342
		Resistor	295396
		2-Amp fuse	239049
		Holder, fuse	239050

Padlock-Enclosures

KA-Accessory	Kit Number	Description	Part Number
18-KA	297109	Padlocking Small Door	
		Padlock-enclosure	
		Screw, flat head machine (2)	295098
		Door, enclosure	295994
		Hasp	297798
18-KB	297077	Padlocking Medium Door	
		Padlock-enclosure	
		Screw, flat head machine (2)	295098
		Door, enclosure	295996
		Hasp	297798
18-KC	297078	Padlocking Large Door	
		Screw, flat head machine (2)	295098
		Door, enclosure	295998
		Hasp	297798

Terminal Lug Kits

KA-Accessory	Kit Number	Description	Part Number
21-A	PA-297982	Terminal Lug Kit 1600 Amp., 3 Pole	
		Screw, 3/8-16 x 2" H.C. (Yellow Zinc Dichromate) (36)	X-129-38
		Washer, 13/32 x 1 x 5/64" flat (Yellow Zinc Dichromate) (36)	X-25-118
		Washer, 3/8" spring (Yellow Zinc Dichromate) (36)	X-6086-6
		Nut, 3/8"-16 (Yellow Zinc Dichromate) (36)	X-83-7
		Lug, terminal (18)	297981
21-B	PA-297987	Terminal Lug Kit 1600 Amp., 4 Pole	
		Screw, 3/8-16 x 2" H.C. (Yellow Zinc Dichromate) (42)	X-129-38
		Washer, 13/32 x 1 x 5/64" flat (Yellow Zinc Dichromate) (42)	X-25-118
		Washer, 3/8" spring (Yellow Zinc Dichromate) (42)	X-6086-6
		Nut, 3/8"-16 (Yellow Zinc Dichromate) (42)	X-83-7
		Lug, terminal (4-wire) (3)	297582
		Lug, terminal (2-wire) (18)	297981
21-C	PA-297988	Terminal Lug Kit 2000 Amp., 3 Pole	
		Screw, 3/8-16 x 2 1/2" H.C. (Yellow Zinc Dichromate) (18)	X-129-40
		Washer, 13/32 x 1 x 5/64" flat (Yellow Zinc Dichromate) (18)	X-25-118
		Washer, 3/8" spring (Yellow Zinc Dichromate) (18)	X-6086-6
		Nut, 3/8"-16 (Yellow Zinc Dichromate) (18)	X-83-7
		Lug, terminal (4-wire) (9)	297582
		Lug, terminal (2-wire) (9)	297981
21-D	PA-297989	Terminal Lug Kit 2000 Amp., 4 Pole	
		Screw, 3/8-16 x 2 1/2" H.C. (Yellow Zinc Dichromate) (24)	X-129-40
		Washer, 13/32 x 1 x 5/64" flat (Yellow Zinc Dichromate) (24)	X-25-118
		Washer, 3/8" spring (Yellow Zinc Dichromate) (24)	X-6086-6
		Nut, 3/8"-16 (Yellow Zinc Dichromate) (24)	X-83-7
		Lug, terminal (4-wire) (12)	297582
		Lug, terminal (2-wire) (12)	297981

Terminal Lug Kits, Continued

KA-Accessory	Kit Number	Description	Part Number		
21-E	PA-297990	Terminal Lug Kit 3000 Amp., 3 Pole			
		Screw, 1/2-13 x 2 1/2" H.C. (Yellow Zinc Dichromate) (9)	X-129-23		
		Screw, 3/8-16 x 2" H.C. (Yellow Zinc Dichromate) (18)	X-129-38		
		Screw, 3/8-16 x 2 1/2" H.C. (Yellow Zinc Dichromate) (18)	X-129-40		
		Washer, 13/32 x 1 1/4 x 7/64" flat (Yellow Zinc Dichromate) (18)	X-25-109		
		Washer, 13/32 x 1 x 5/64" flat (Yellow Zinc Dichromate) (18)	X-25-118		
		Washer, 9/16 x 1 1/8 x 3/32" flat (Yellow Zinc Dichromate) (9)	X-25-64		
		Washer, 1/2" spring (Yellow Zinc Dichromate) (9)	X-6086-4		
		Washer, 3/8" spring (Yellow Zinc Dichromate) (36)	X-6086-6		
		Nut, 1/2-13 (Yellow Zinc Dichromate) (9)	X-70-10		
		Nut, 3/8-16 (Yellow Zinc Dichromate) (36)	X-83-7		
		Lug, terminal (18)	297582		
		Plate, adapter (27)	297985		
		21-F	PA-297991	Terminal Lug Kit 3000 Amp., 4 Pole	
				Screw, 1/2-13 x 2 1/2" H.C. (Yellow Zinc Dichromate) (12)	X-129-23
Screw, 3/8-16 x 2" H.C. (Yellow Zinc Dichromate) (24)	X-129-38				
Screw, 3/8-16 x 2 1/2" H.C. (Yellow Zinc Dichromate) (24)	X-129-40				
Washer, 13/32 x 1 1/4 x 7/64" flat (Yellow Zinc Dichromate) (24)	X-25-109				
Washer, 13/32 x 1 x 5/64" flat (Yellow Zinc Dichromate) (24)	X-25-118				
Washer, 9/16 x 1 1/8 x 3/32" flat (Yellow Zinc Dichromate) (12)	X-25-64				
Washer, 1/2" spring (Yellow Zinc Dichromate) (12)	X-6086-4				
Washer, 3/8" spring (Yellow Zinc Dichromate) (48)	X-6086-6				
Nut, 1/2-13 (Yellow Zinc Dichromate) (12)	X-70-10				
Nut, 3/8-16 (Yellow Zinc Dichromate) (48)	X-83-7				
Lug, terminal (24)	297582				
Plate, adapter (36)	297985				

Terminal Lug Kits, Continued

KA-Accessory	Kit Number	Description	Part Number
21-G	PA-297992	Terminal Lug Kit 4000 Amp., 3 Pole	
		Screw, 1/2-13 x 2 1/2" H.C. (Yellow Zinc Dichromate) (54)	X-129-23
		Screw, 3/8-16 x 2 1/2" H.C. (Yellow Zinc Dichromate) (54)	X-129-40
		Washer, 13/32 x 1 1/4 x 7/64" flat (Yellow Zinc Dichromate) (54)	X-25-109
		Washer, 13/32 x 1 x 5/64" flat (Yellow Zinc Dichromate) (54)	X-25-118
		Washer, 9/16 x 1 1/8 x 3/32" flat (Yellow Zinc Dichromate) (54)	X-25-64
		Washer, 1/2" spring (Yellow Zinc Dichromate) (54)	X-6086-4
		Washer, 3/8" spring (Yellow Zinc Dichromate) (54)	X-6086-6
		Nut, 1/2-13 (Yellow Zinc Dichromate) (54)	X-70-10
		Lug, terminal (27)	297983
		Plate, adapter (36)	297984
		21-H	PA-297998
Screw, 1/2-13 x 2 1/2" H.C. (Yellow Zinc Dichromate) (72)	X-129-23		
Screw, 3/8-16 x 2 1/2" H.C. (Yellow Zinc Dichromate) (72)	X-129-40		
Washer, 13/32 x 1 1/4 x 7/64" flat (Yellow Zinc Dichromate) (72)	X-25-109		
Washer, 13/32 x 1 x 5/64" flat (Yellow Zinc Dichromate) (72)	X-25-118		
Washer, 9/16 x 1 1/8 x 3/32" flat (Yellow Zinc Dichromate) (72)	X-25-64		
Washer, 1/2" spring (Yellow Zinc Dichromate) (72)	X-6086-4		
Washer, 3/8" spring (Yellow Zinc Dichromate) (72)	X-6086-6		
Nut, 1/2-13 (Yellow Zinc Dichromate) (72)	X-70-10		
Lug, terminal (72)	297983		
Plate, adapter (45)	297984		

Plant Exercisers

KA-Accessory	Kit Number	Description	Part Number
23-CA	PA-295722	Plant Exerciser (without Load) 110-120V, 60 Hz. Pin, trip (cyclenmaster timer) (15) Clock, time Sleeve (spacer) (3) Nut, captive 8-32 (3) Lever, trip ON (lumenite timer) (black) Screw, trip (lumenite timer) (13) Lever, trip OFF (lumenite timer) (copper)	295153 295309 265235 298811 297732 296277 297733
23-CB	PA-295723	Plant Exerciser (without Load) 208-240V, 60 Hz. Pin, trip (cyclenmaster timer) (15) Clock, time Sleeve (spacer) (3) Nut, captive 8-32 (3) Lever, trip ON (lumenite timer) (black) Screw, trip (lumenite timer) (13) Lever, trip OFF (lumenite timer) (copper)	295153 295310 265235 298811 297732 296277 297733
23-CC	PA-295724	Plant Exerciser (without Load) 550-600V, 60 Hz. Pin, trip (cyclenmaster timer) (15) Clock, time Transformer Sleeve (spacer) (3) Nut, captive 8-32 (3) Lever, trip ON (lumenite timer) (black) Screw, trip (lumenite timer) (13) Lever, trip OFF (lumenite timer) (copper)	295153 295309 295299 265235 298811 297732 296277 297733
23-CD	PA-295725	Plant Exerciser (without Load) 440-480V, 60 Hz. Pin, trip (cyclenmaster timer) (15) Clock, time Transformer Sleeve (spacer) (3) Nut, captive 8-32 (3) Lever, trip ON (lumenite timer) (black) Screw, trip (lumenite timer) (13) Lever, trip OFF (lumenite timer) (copper)	295153 295309 295302 265235 298811 297732 296277 297733
23-CE	PA-295726	Plant Exerciser (without Load) 380-440V, 50 Hz. Pin, trip (cyclenmaster timer) (15) Clock, time Transformer Sleeve (spacer) (3) Nut, captive 8-32 (3) Lever, trip ON (lumenite timer) (black) Screw, trip (lumenite timer) (13) Lever, trip OFF (lumenite timer) (copper)	295153 295312 295300 265235 298811 297732 296277 297733

Plant Exercisers, Continued

KA-Accessory	Kit Number	Description	Part Number
23-CF	PA-295727	Plant Exerciser (without Load) 110-120V, 50 Hz. Pin, trip (cyclenmaster timer) (15) Clock, time Sleeve (spacer) (3) Nut, captive 8-32 (3) Lever, trip ON (lumenite timer) (black) Screw, trip (lumenite timer) (13) Lever, trip OFF (lumenite timer) (copper)	295153 295311 265235 298811 297732 296277 297733
23-CG	PA-295728	Plant Exerciser (without Load) 208-240V, 50 Hz. Pin, trip (cyclenmaster timer) (15) Clock, time Sleeve (spacer) (3) Nut, captive 8-32 (3) Lever, trip ON (lumenite timer) (black) Screw, trip (lumenite timer) (13) Lever, trip OFF (lumenite timer) (copper)	295153 295312 265235 298811 297732 296277 297733
23-DA	PA-295729	Plant Exerciser (with Load) 110-120V, 60 Hz. Pin, trip (cyclenmaster timer) (15) Clock, time Sleeve (spacer) (3) Nut, captive 8-32 (3) Lever, trip ON (lumenite timer) (black) Screw, trip (lumenite timer) (13) Lever, trip OFF (lumenite timer) (copper)	295153 295309 265235 298811 297732 296277 297733
23-DB	PA-295730	Plant Exerciser (with Load) 208-240V, 60 Hz. Pin, trip (cyclenmaster timer) (15) Clock, time Sleeve (spacer) (3) Nut, captive 8-32 (3) Lever, trip ON (lumenite timer) (black) Screw, trip (lumenite timer) (13) Lever, trip OFF (lumenite timer) (copper)	295153 295310 265235 298811 297732 296277 297733
23-DC	PA-295731	Plant Exerciser (with Load) 550-600V, 60 Hz. Pin, trip (cyclenmaster timer) (15) Clock, time Transformer Sleeve (spacer) (3) Nut, captive 8-32 (3) Lever, trip ON (lumenite timer) (black) Screw, trip (lumenite timer) (13) Lever, trip OFF (lumenite timer) (copper)	295153 295309 295299 265235 298811 297732 296277 297733

Plant Exercisers, Continued

KA-Accessory	Kit Number	Description	Part Number
23-DD	PA-295732	Plant Exerciser (with Load) 440-480V, 60 Hz. Pin, trip (cyclenmaster timer) (15) Clock, time Transformer Sleeve (spacer) (3) Nut, captive 8-32 (3) Lever, trip ON (lumenite timer) (black) Screw, trip (lumenite timer) (13) Lever, trip OFF (lumenite timer) (copper)	295153 295309 295302 265235 298811 297732 296277 297733
23-DE	PA-295733	Plant Exerciser (with Load) 380-440V, 50 Hz. Pin, trip (cyclenmaster timer) (15) Clock, time Transformer Sleeve (spacer) (3) Nut, captive 8-32 (3) Lever, trip ON (lumenite timer) (black) Screw, trip (lumenite timer) (13) Lever, trip OFF (lumenite timer) (copper)	295153 295312 295300 265235 298811 297732 296277 297733
23-DF	PA-295734	Plant Exerciser (with Load) 110-120V, 50 Hz. Pin, trip (cyclenmaster timer) (15) Clock, time Sleeve (spacer) (3) Nut, captive 8-32 (3) Lever, trip ON (lumenite timer) (black) Screw, trip (lumenite timer) (13) Lever, trip OFF (lumenite timer) (copper)	295153 295311 265235 298811 297732 296277 297733
23-DG	PA-295735	Plant Exerciser (with Load) 208-240V, 50 Hz. Pin, trip (cyclenmaster timer) (15) Clock, time Sleeve (spacer) (3) Nut, captive 8-32 (3) Lever, trip ON (lumenite timer) (black) Screw, trip (lumenite timer) (13) Lever, trip OFF (lumenite timer) (copper)	295153 295312 265235 298811 297732 296277 297733
23-GA	PA-295736	Plant Exerciser (with/without Load Switch) 110-120V, 60 Hz. Pin, trip (cyclenmaster timer) (15) Nut, weatherproof Clock, time Switch, selector Sleeve (spacer) (3) Nut, captive 8-32 (3) Lever, trip ON (lumenite timer) (black) Screw, trip (lumenite timer) (13) Lever, trip OFF (lumenite timer) (copper)	295153 295155 295309 295322 265235 298811 297732 296277 297733

Plant Exercisers, Continued

KA-Accessory	Kit Number	Description	Part Number
23-GA3		Plant Exerciser 110-120V, 60 Hz., (Nema Type 3R & 12)	
		Tie (expense), cable (4)	X-468-1
		Screw, R.H.M. 8-32 (3)	X-51-52
		Sleeve (3)	265235
		Clock, time 120 Volt	295309
		Switch, operator	298039
		Block, contact (2)	298051
		Block, contact	298052
		Contact assembly	298054
23-GB	PA-295737	Plant Exerciser (with/without Load Switch) 208-240V, 60 Hz.	
		Pin, trip (cyclenmaster timer) (15)	295153
		Nut, weatherproof	295155
		Clock, time	295310
		Switch, selector	295322
		Sleeve (spacer) (3)	265235
		Nut, captive 8-32 (3)	298811
		Lever, trip ON (lumenite timer) (black)	297732
		Screw, trip (lumenite timer) (13)	296277
		Lever, trip OFF (lumenite timer) (copper)	297733
23-GB3		Plant Exerciser 208-240V, 60 Hz., (Nema Type 3R & 12)	
		Tie (expense), cable (4)	X-468-1
		Screw, R.H.M. 8-32 (3)	X-51-52
		Sleeve (3)	265235
		Clock, time 240 Volt	295310
		Switch, operator	298039
		Block, contact	298051
		Block, contact	298052
		Contact assembly	298054
23-GC	PA-295738	Plant Exerciser (with/without Load Switch) 550-600V, 60 Hz.	
		Pin, trip (cyclenmaster timer) (15)	295153
		Nut, weatherproof	295155
		Transformer	295299
		Clock, time	295309
		Switch, selector	295322
		Sleeve (spacer) (3)	265235
		Nut, captive 8-32 (3)	298811
		Lever, trip ON (lumenite timer) (black)	297732
		Screw, trip (lumenite timer) (13)	296277
		Lever, trip OFF (lumenite timer) (copper)	297733

Plant Exercisers, Continued

KA-Accessory	Kit Number	Description	Part Number
23-GD	PA-295739	Plant Exerciser (with/without Load Switch) 440-480V, 60 Hz. Pin, trip (cyclemaster timer) (15) Nut, weatherproof Transformer Clock, time Switch, selector Sleeve (spacer) (3) Nut, captive 8-32 (3) Lever, trip ON (lumenite timer) (black) Screw, trip (lumenite timer) (13) Lever, trip OFF (lumenite timer) (copper)	295153 295155 295302 295309 295322 265235 298811 297732 296277 297733
23-GE	PA-295740	Plant Exerciser (with/without Load Switch) 380-440V, 50 Hz. Pin, trip (cyclemaster timer) (15) Nut, weatherproof Transformer Clock, time Switch, selector Sleeve (spacer) (3) Nut, captive 8-32 (3) Lever, trip ON (lumenite timer) (black) Screw, trip (lumenite timer) (13) Lever, trip OFF (lumenite timer) (copper)	295153 295155 295300 295312 295322 265235 298811 297732 296277 297733
23-GF	PA-295741	Plant Exerciser (with/without Load Switch) 110-120V, 50 Hz. Pin, trip (cyclemaster timer) (15) Nut, weatherproof Clock, time Switch, selector Sleeve (spacer) (3) Nut, captive 8-32 (3) Lever, trip ON (lumenite timer) (black) Screw, trip (lumenite timer) (13) Lever, trip OFF (lumenite timer) (copper)	295153 295155 295311 295322 265235 298811 297732 296277 297733
23-GG	PA-295742	Plant Exerciser (with/without Load Switch) 208-240V, 50 Hz. Pin, trip (cyclemaster timer) (15) Nut, weatherproof Clock, time Switch, selector Sleeve (spacer) (3) Nut, captive 8-32 (3) Lever, trip ON (lumenite timer) (black) Screw, trip (lumenite timer) (13) Lever, trip OFF (lumenite timer) (copper)	295153 295155 295312 295322 265235 298811 297732 296277 297733

Plant Exercisers, Continued

KA-Accessory	Kit Number	Description	Part Number
23-HA	PA-297932	Plant Exerciser	
		Sleeve (spacer) (3)	265235
		Pin, trip (cyclenmaster timer) (15)	295153
		Clock, time	295309
		Switch, (mechanical) operator	298039
		Contact (electrical) assembly (2)	298046
		Contact (electrical) assembly (3)	298048
		Clip, cable (2)	298400
		Lever, trip ON (lumenite timer)	297732
		Screw, trip (lumenite timer) (13)	296277
Lever, trip OFF (lumenite timer)	297733		
23-HB	PA-297933	Plant Exerciser	
		Sleeve (spacer) (3)	265235
		Pin, trip (cyclenmaster timer) (15)	295153
		Clock, time	295310
		Switch, (mechanical) operator	298039
		Contact (electrical) assembly (2)	298046
		Contact (electrical) assembly (3)	298048
		Clip, cable (2)	298400
		Lever, trip ON (lumenite timer)	297732
		Screw, trip (lumenite timer) (13)	296277
Lever, trip OFF (lumenite timer)	297733		
23-HC	PA-297934	Plant Exerciser	
		Sleeve (spacer) (3)	265235
		Pin, trip (cyclenmaster timer) (15)	295153
		Transformer	295300
		Clock, time	295309
		Switch, (mechanical) operator	298039
		Contact (electrical) assembly (2)	298046
		Contact (electrical) assembly (3)	298048
		Clip, cable (2)	298400
		Lever, trip ON (lumenite timer)	297732
Screw, trip (lumenite timer) (13)	296277		
Lever, trip OFF (lumenite timer)	297733		

Plant Exercisers, Continued

KD-Accessory	Kit Number	Description	Part Number
23-HD	297935	Plant Exerciser Sleeve (spacer) (3) Pin, trip (cyclenmaster timer) (15) Transformer Clock, time Switch, (mechanical) operator Contact (electrical) assembly (2) Contact (electrical) assembly (3) Clip, cable (3) Lever, trip ON (lumenite timer) Screw, trip (lumenite timer) (13) Lever, trip OFF (lumenite timer)	265235 295153 295302 295309 298039 298046 298048 298400 297732 296277 297733
23-PA	PA-294763	Plant Exerciser Solid State, 110-120V Screw, R.H.M. 8-32 (4) Clock, time Track Nut, captive (4)	X-51-9 294541 294622 298811
23-PB	PA-294767	Plant Exerciser Solid State, 190-208V Screw, R.H.M. 8-32 (4) Clock, time Track Transformer Nut, captive (4)	X-51-9 294541 294622 295354 298811
23-PC	PA-294771	Plant Exerciser Solid State, 220-240V Screw, R.H.M. 8-32 (4) Clock, time Track Transformer Nut, captive (4)	X-51-9 294541 294622 295355 298811
23-PD	PA-294775	Plant Exerciser Solid State, 380-416V Screw, R.H.M. 8-32 (4) Clock, time Track Transformer Nut, captive (4)	X-51-9 294541 294622 295301 298811
23-PE	PA-294779	Plant Exerciser Solid State, 440-480V Screw, R.H.M. 8-32 (4) Clock, time Track Transformer Nut, captive (4)	X-51-9 294541 294622 295302 298811
23-PF	PA-294783	Plant Exerciser Solid State, 550-600V Screw, R.H.M. 8-32 (4) Clock, time Track Transformer Nut, captive (4)	X-51-9 294541 294622 295299 298811

Plant Exercisers, Continued

KA-Accessory	Kit Number	Description	Part Number
23-RA	PA-294764	Plant Exerciser Solid State 110-120V	
		Screw, R.H.M. 8-32 (4)	X-51-9
		Clock, time	294541
		Track	294622
		Nut, captive (4)	298811
23-RB	PA-294768	Plant Exerciser Solid State 190-208V	
		Screw, R.H.M. 8-32 (4)	X-51-9
		Clock, time	294541
		Track	294622
		Transformer	295354
		Nut, captive (4)	298811
23-RC	PA-294772	Plant Exerciser Solid State 220-240V	
		Screw, R.H.M. 8-32 (4)	X-51-9
		Clock, time	294541
		Track	294622
		Transformer	295355
		Nut, captive (4)	298811
23-RD	PA-294776	Plant Exerciser Solid State 380-416V	
		Screw, R.H.M. 8-32 (4)	X-51-9
		Clock, time	294541
		Track	294622
		Transformer	295301
		Nut, captive (4)	298811
23-RE	PA-294780	Plant Exerciser Solid State 440-480V	
		Screw, R.H.M. 8-32 (4)	X-51-9
		Clock, time	294541
		Track	294622
		Transformer	295301
		Nut, captive (4)	298811
23-RF	PA-294784	Plant Exerciser Solid State 550-600V	
		Screw, R.H.M. 8-32 (4)	X-51-9
		Clock, time	294541
		Track	294622
		Transformer	295299
		Nut, captive (4)	298811
23-SA	PA-294765	Plant Exerciser Solid State 110-120V	
		Screw, R.H.M. 8-32 (4)	X-51-9
		Clock, time	294541
		Track	294622
		Switch selector	295322
		Nut, captive (4)	298811
23-SA3	PA-294766	Plant Exerciser Solid State 110-120V	
		Screw, R.H.M. 8-32 (4)	X-51-9
		Clock, time	294541
		Track	294622
		Switch, operator	298039
		Block, contact (2)	298051
		Block, contact	298052
		Contact assembly	298054
		Nut, captive (4)	298811

Plant Exercisers, Continued

KA-Accessory	Kit Number	Description	Part Number
23-SB	PA-294769	Plant Exerciser Solid State 190-208V Screw, R.H.M. 8-32 (4) Clock, time Track Switch, selector Transformer Nut, captive (4)	X-51-9 294541 294622 295322 295354 298811
23-SB3	PA-294770	Plant Exerciser Solid State 190-208V Screw, R.H.M. 8-32 (4) Clock, time Track Transformer Switch, operator Block, contact (2) Block, contact Contact, assembly Nut, captive (4)	X-51-9 294541 294622 295354 298039 298051 298052 298054 298811
23-SC		Plant Exerciser Screw, R.H.M. 8-32 (4) Clock, time Track Switch, selector Transformer Nut, captive (4)	X-51-9 294541 294622 295322 295355 298811
23-SC3	PA-294773	Plant Exerciser Solid State 190-208V Screw, R.H.M. 8-32 (4) Clock, time Track Transformer Switch, operator Block, contact (2) Block, contact Contact assembly Nut, captive (4)	X-51-9 294541 294622 295355 298039 298051 298052 298054 298811
23-SD	PA-294777	Plant Exerciser Solid State 380-416V Screw, R.H.M. 8-32 (4) Clock, time Track Switch, selector Transformer Nut, captive (4)	X-51-9 294541 294622 295322 295301 298811

Plant Exercisers, Continued

KA-Accessory	Kit Number	Description	Part Number
23-SD3	PA-294778	Plant Exerciser Solid State 380-416V	
		Screw, R.H.M. 8-32 (4)	X-51-9
		Clock, time	294541
		Track	294622
		Transformer	295301
		Switch, operator	298039
		Block, contact (2)	298051
		Block, contact	298052
		Contact assembly	298054
Nut, captive (4)	298811		
23-SE		Plant Exerciser Solid State 440-480V	
		Screw, R.H.M. 8-32 (4)	X-51-9
		Clock, time	294541
		Track	294622
		Switch, selector	295322
		Transformer	295302
Nut, captive (4)	298811		
23-SE3	PA-294782	Plant Exerciser Solid State 440-480V	
		Screw, R.H.M. 8-32 (4)	X-51-9
		Clock, time	294541
		Track	294622
		Transformer	295302
		Switch, operator	298039
		Block, contact (2)	298051
		Block, contact	298052
		Contact assembly	298054
Nut, captive (4)	298811		
23-SF	PA-294785	Plant Exerciser Solid State 550-600V	
		Screw, R.H.M. 8-32 (4)	X-51-9
		Clock, time	294541
		Track	294622
		Switch, selector	295322
		Transformer	295299
Nut, captive (4)	298811		
23-SF3	PA-294786	Plant Exerciser Solid State 550-600V	
		Screw, R.H.M. 8-32 (4)	X-51-9
		Clock, time	294541
		Track	294622
		Transformer	295299
		Switch, operator	298039
		Block, contact (2)	298051
		Block, contact	298052
		Contact assembly	298054
Nut, captive (4)	298811		

Battery Chargers

KA-Accessory	Kit Number	Description	Part Number
24-C	PA-295743	Battery Charger Kit 120 Volt, 50/60 Hz. Battery charger assembly (Includes the following:)	A-293274
		Board assembly, circuit	B-293284
		Holder, fuse	238426
		Washer, insulating (8)	243321
		Sleeve (4)	265235
		Fuse (1.5 Amp.)	291207
		Ammeter	293278
		Transformer	293279
		Strip, terminal	293281
		Breaker, circuit	293292
		Lamp	293661
		Cover, terminal block	294214
		Decal, barrier	294742
		Panel, silkscreen	293662
24-D	PA-295744	Battery Charger Kit 240 Volt, 50/60 Hz. Battery charger assembly (Includes the following:)	A-293295
		Board assembly, circuit	B-293284
		Holder, fuse	238426
		Washer, insulating (8)	243321
		Sleeve (4)	265235
		Fuse (1.5 Amp.)	291904
		Ammeter	293278
		Transformer	293279
		Strip, terminal	293281
		Breaker, circuit	293292
		Lamp	293661
		Cover, terminal block	294214
		Decal, barrier	294742
		Panel, silkscreen	293663
24-E	PA-295745	Battery Charger Kit 208 Volt, 50/60 Hz. Battery charger assembly (Includes the following:)	A-293656
		Board assembly, circuit	B-293284
		Holder, fuse	238426
		Washer, insulating (8)	243321
		Sleeve (4)	265235
		Fuse (1.5 Amp.)	291207
		Ammeter	293278
		Panel	297360
		Strip, terminal	293281
		Breaker, circuit	293292
		Lamp	293655
		Cover, terminal block	294214
		Decal, barrier	294742
		Nameplate	293658
		Transformer	293659

Battery Chargers, Continued

KA-Accessory	Kit Number	Description	Part Number
24-F	PA-295746	Battery Charger Kit 480/600 Volt, 50/60 Hz.	
		Battery charger assembly (Includes the following:)	A-293647
		Board assembly, circuit	B-293284
		Washer, insulating (8)	243321
		Sleeve (4)	265235
		Ammeter	293278
		Breaker, circuit	293292
		Transformer	293649
		Panel	293666
		Nameplate	293651
		Holder, fuse	293652
		Strip, terminal	293653
		Fuse (.5 Amp.)	294552
		Lamp	293655
Cover, terminal block	294215		
Decal, barrier	294742		
24-G	PA-295747	Battery Charger Kit 220 Volt, 50 Hz.	
		Battery charger assembly (Includes the following:)	A-295090
		Board assembly, circuit	B-293284
		Holder, fuse	238426
		Washer, insulating (8)	243321
		Sleeve (4)	265235
		Fuse (1.5 Amp.)	291207
		Ammeter	293278
		Panel	293283
		Strip, terminal	293281
		Breaker, circuit	293292
		Lamp	293655
		Cover, terminal block	294214
		Decal, barrier	294742
Transformer	295092		
Nameplate	295346		

Battery Chargers, Continued

KA-Accessory	Kit Number	Description	Part Number
24-H	PA-295748	Battery Charger Kit 380 Volt, 50/60 Hz. Battery charger assembly (Includes the following:)	A-295087
		Board assembly, circuit	B-293284
		Washer, insulating (8)	243321
		Sleeve (4)	265235
		Ammeter	293278
		Breaker, circuit	293292
		Panel	293650
		Holder, fuse	293652
		Strip, terminal	293653
		Fuse (.5 Amp.)	294141
		Lamp	293655
		Cover, terminal block	294215
		Decal, barrier	294742
		Transformer	295089
		Nameplate	295345
24-K	PA-297135	Battery Charger Kit (Enclosed) 208 Volt Battery charger assembly (Includes the following:)	A-295195
		Board assembly, circuit	B-291893
		Block, terminal (2)	X-405-2
		Holder, fuse	238426
		Cover (top)	246604
		Spacer (4)	270833
		Fuse (1.5 Amp.)	291207
		Switch, slide	291894
		Decal	291897
		Box (bottom)	291899
		Ammeter	293278
		Holder, P.C. board (2)	293291
		Breaker, circuit	293292
		Lamp	293655
		Transformer	293659
		Nameplate (Input/Output)	295185

Battery Chargers, Continued

KA-Accessory	Kit Number	Description	Part Number
24-L	PA-297136	Battery Charger Kit (Enclosed) 240 Volt	
		Battery charger assembly	A-295196
		(Includes the following:)	
		Board assembly, circuit	B-291893
		Block, terminal (2)	X-405-2
		Holder, fuse	238426
		Cover (top)	246604
		Spacer (4)	270833
		Switch, slide	291894
		Box (bottom)	291899
		Fuse (.75 Amp.)	291904
		Ammeter	293278
		Transformer	293279
		Holder, P.C. board (2)	293291
		Breaker, circuit	293292
Lamp	293661		
Nameplate (Input/Output)	295186		
Decal	295199		
24-M	PA-297137	Battery Charger Kit (Enclosed) 480-600 Volt	
		Battery charger assembly	A-295197
		(Includes the following:)	
		Board assembly, circuit	B-291893
		Block, terminal	X-405-2
		Cover (top)	246604
		Spacer (4)	270833
		Switch, slide	291894
		Ammeter	293278
		Holder, P.C. board (2)	293291
		Breaker, circuit	293292
		Transformer	293649
		Holder, fuse	293652
		Fuse (.5 Amp.)	294552
		Lamp	293655
Nameplate (Input/Output)	295187		
Box (bottom)	295188		
Decal	295198		
Strip, terminal	295394		

Battery Chargers, Continued

KA-Accessory	Kit Number	Description	Part Number
24-N	PA-297138	Battery Charger Kit (Enclosed) 120 Volt	
		Battery charger assembly	A-291843
		(Includes the following:)	
		Board assembly, circuit	B-291893
		Block, terminal (2)	X-405-2
		Holder, fuse	238426
		Cover (top)	246604
		Spacer (4)	270833
		Fuse (1.5 Amp.)	291207
		Switch, slide	291894
		Nameplate (Input/Output)	291895
		Decal	291897
		Box (bottom)	291899
		Ammeter	293278
		Transformer	293279
Holder, P.C. Board (2)	293291		
Breaker, circuit	293292		
Lamp	293661		

Overvoltage Cards

KA-Accessory	Kit Number	Description	Part Number
26-CS1	295751	Overvoltage Card	
		Board assy., circuit	B-295121
26-CS2	295351	Overvoltage Card	
		Board assy., circuit	B-295120

Area Protections

KA-Accessory	Kit Number	Description	Part Number
26-DR	PA-295796 295796	Area Protection	
		Socket, relay	295034
		Relay	295254
26-DS	PA-295353 295353	Area Protection	
		Spacer	X-712-2
		Socket, relay	295034
		Clamp, relay hold-down	295189
		Relay	295254
		Nut, captive 6-32 (2)	298810

Normal Frequency Cards

KA-Accessory	Kit Number	Description	Part Number
26-GS	295640	Normal Overfrequency Card	
		Board assy., circuit	B-295108
26-HS	295750	Normal Underfrequency Card	
		Board assy., circuit	B-295107
27-A (Consult Factory)		Nonstandard Voltage	

Fuse Kits

KA-Accessory	Kit Number	Description	Part Number
28-A	297504	Fuse Kit	
		Fuse (2 Amp.)	239049
		Holder, fuse	239050

Pushbutton Operations

KA-Accessory	Kit Number	Description	Part Number
29-BR	PA-295753	Pushbutton Operation, Both Directions, No Override	
		Ring, lock (2)	151511
		Clip, relay (2)	269972
		Switch, toggle (2)	295030
		Socket, relay (2)	295150
		Relay (2)	295254
		Decal, Manual Transfer (30-150 Amp.)	294314
		Nut, captive 6-32 (4)	298810
29-BS	PA-295752	Pushbutton Operation, Both Directions, No Override	
		Ring, lock (2)	151511
		Switch, toggle (DPDT-Mom.) (2)	295029
		Clamp, relay hold-down (2)	295189
		Socket, relay (2)	295034
		Switch, toggle (SPST-Mom. OFF)	295068
		Relay (2)	295254
		Decal, Manual Transfer (30-150 Amp.)	294314
		Nut, captive 6-32 (4)	298810
29-BS1	PA-294086	Pushbutton Operation, Both Directions, Keyed	
		Terminal	X-431-30
		Ring, lock	151511
		Decal, Manual Transfer (30-150 Amp.)	294314
		Socket, relay (3)	295034
		Switch, toggle	295068
		Spacer, socket (3)	295151
		Clamp, relay hold-down (3)	295189
		Nameplate	295232
		Relay (3)	295254
		Decal U.L.	297009
		Decal U.L. (Non-automatic)	297484
		Nameplate	297506
		Switch, toggle	297680
		Switch, operator (2)	298041
		Contact assembly (2)	298048
		Nut, captive (4)	298810
29-CS	PA-295754	Pushbutton Operation, Emergency to Normal	
		Ring, lock	151511
		Switch, toggle	295030
		Socket, relay	295034
		Clamp, relay hold-down	295189
		Relay	295254
		Decal, Manual Transfer (30-150 Amp.)	294314
		Decal, U.L. (Non-automatic)	297484
		Nut, captive 6-32 (4)	298810

Pushbutton Operations, Continued

KA-Accessory	Kit Number	Description	Part Number
29-DR	295753	Pushbutton Operation, Both Directions	
		Ring, lock (2)	151511
		Clip, relay (2)	269972
		Switch, toggle (2)	295030
		Socket, relay (2)	295150
		Relay (2)	295254
		Decal, Manual Transfer (30-150 Amp.)	294314
		Decal, U.L. (Non-automatic)	297484
		Nut, captive 6-32 (4)	298810
29-DS	295752	Pushbutton Operation, Both Directions, No Override	
		Ring, lock (2)	151511
		Switch, Toggle (2)	295029
		Socket, Relay (2)	295034
		Clamp, relay hold-down (2)	295189
		Relay (2)	295254
		Decal, Manual Transfer (30-150 Amp.)	294314
		Decal, U.L. (Non-automatic)	297484
		Nameplate, Non-automatic (KN)	297506
		Nut, captive 6-32 (4)	298810
29-ER	295755	Pushbutton Operation, Emergency to Normal, No Override	
		Ring, lock	151511
		Clip, relay	269972
		Switch, toggle	295030
		Socket, relay	295150
		Relay	295254
		Decal, Manual Transfer (30-150 Amp.)	294314
		Decal, U.L. (Non-automatic)	297484
		Nut, captive 6-32 (4)	298810
29-ES	295754	Pushbutton Operation, Emergency to Normal, No Override	
		Ring, lock	151511
		Switch, toggle	295030
		Socket, relay	295034
		Clamp, relay hold-down	295189
		Relay	295254
		Decal, Manual Transfer (30-150 Amp.)	294314
		Decal, U.L. (Non-automatic)	297484
		Nameplate, Non-automatic (KN)	297506
		Nut, captive 6-32 (4)	298810
29-FR	PA-295757	Pushbutton Operation—Automatic/Manual	
		Ring, lock (3)	151511
		Switch, toggle	238357
		Switch, toggle (2)	295030
		Socket, relay (2)	295150
		Clamp, relay hold-down (2)	295189
		Relay (2)	295254
		Decal, Manual Transfer (30-150 Amp.)	294314
		Nut, captive 6-32 (4)	298810

Pushbutton Operations, Continued

KA-Accessory	Kit Number	Description	Part Number
29-FS	PA-295756	Pushbutton Operation—Automatic/Manual	
		Ring, lock (3)	151511
		Switch, toggle	238357
		Switch, toggle (DPDT-Mom.) (2)	295029
		Socket, relay (2)	295034
		Clamp, relay hold-down (2)	295189
		Relay (2)	295254
		Decal, Manual Transfer (30-150 Amp.)	294314
		Nameplate, Non-automatic (KN)	297506
		Nut, captive 6-32 (4)	298810
29-GR	295757	Pushbutton Operation—Automatic/Manual	
		Ring, lock (3)	151511
		Switch, toggle	238357
		Clip, relay (2)	269972
		Switch, toggle (SPST-Mom. ON) (2)	295030
		Socket, relay (2)	295150
		Relay (2)	295254
		Decal, Manual Transfer (30-150 Amp.)	294314
		Decal, U.L. (Non-automatic)	297484
		Nameplate, Non-automatic (KN)	297506
		Nut, captive 6-32 (4)	298810
29-GS	295756	Pushbutton Operation—Automatic/Manual	
		Ring, lock (3)	151511
		Switch, toggle	238357
		Switch, toggle (DPDT-Mom.) (2)	295029
		Socket, relay (2)	295034
		Clamp, relay hold-down (2)	295189
		Relay (2)	295254
		Decal, Manual Transfer (30-150 Amp.)	294314
		Decal, U.L. (Non-automatic)	297484
		Nameplate, Non-automatic (KN)	297506
		Nut, captive 6-32 (4)	298810
29-HR	PA-295759	Pushbutton Operation—Automatic/Manual, Emergency to Normal	
		Ring, lock (3)	151511
		Switch, toggle	268015
		Clip, relay	269972
		Switch, toggle (SPST-Mom. ON)	295030
		Socket, relay	295150
		Relay	295254
		Decal, Manual Transfer (30-150 Amp.)	294314
		Nut, captive 6-32 (4)	298810

Pushbutton Operations, Continued

KA-Accessory	Kit Number	Description	Part Number
29-HS	PA-295758	Pushbutton Operation—Automatic/Manual, Emergency to Normal Ring, lock (2) Switch, toggle Relay Switch, toggle (SPST-Mom. ON) Socket, relay Clamp, relay hold-down Decal, Manual Transfer (30-150 Amp.) Nut, captive 6-32 (2)	151511 268015 295254 295030 295034 295189 294314 298810
29-JR	PA-295759	Pushbutton Operation—Automatic/Manual, Emergency to Normal Ring, lock (2) Switch, toggle Clip, relay Switch, toggle (SPST-Mom. ON) Socket, relay Relay Decal, Manual Transfer (30-150 Amp.) Decal, U.L. (Non-automatic) Nameplate, Non-automatic (KN) Nut, captive 6-32 (2)	151511 268015 269972 295030 295150 295254 294314 297484 297506 298810
29-JS	PA-295758	Pushbutton Operation—Automatic/Manual, Emergency to Normal Ring, lock (2) Switch, toggle Switch, toggle (SPST-Mom. ON) Socket, relay Clamp, relay hold-down Relay Decal, Manual Transfer (30-150 Amp.) Decal, U.L. (Non-automatic) Nameplate, Non-automatic (KN) Nut, captive 6-32 (2)	151511 268015 295030 295034 295189 295254 294314 297484 297506 298810
29-L	PA-297333	Manual Control Only—Both Directions Key Mounted Ring, lock Switch, key operator Switch, toggle Contact assembly Block, contact (3)	151511 294814 297680 298048 298051

Pushbutton Operations, Continued

KA-Accessory	Kit Number	Description	Part Number
29-OR1	PA-294095	Pushbutton—ETON Auto/Manual with Override	
		Washer (expense) (6)	X-25-9
		Screw, R.H.M. 6-32 (6)	X-49-6
		Spacer, fiber (6)	X-712-2
		Ring, lock (2)	151511
		Terminal, adapter (2)	233704
		Switch, toggle	238357
		Decal, Manual Transfer (30-150 Amp.)	294314
		Harness, wiring	294363
		Switch, toggle	295030
		Socket, relay (2)	295034
		Harness, wiring	295134
		Spacer, socket (2)	295151
		Clamp, relay hold-down (2)	295189
		Relay (2)	295254
		Decal, U.L. (Non-automatic)	297484
		Nameplate, Non-automatic	297506
Nut, captive (4)	298810		
29-OS	PA-295096	Pushbutton—ETON Auto/Manual with Override	
		Screw, R.H.M. 6-32 (6)	X-49-6
		Spacer, fiber (6)	X-712-2
		Ring, lock (2)	151511
		Terminal, adapter (2)	233704
		Switch, toggle	238357
		Decal, Manual Transfer (30-150 Amp.)	294314
		Harness, wiring	294363
		Switch, toggle	295030
		Socket, relay (2)	295034
		Harness, wiring	295134
		Spacer, socket (2)	295151
		Clamp, relay hold-down (2)	295189
		Nameplate	295232
		Relay (2)	295254
		Decal, U.L.	297009
		Nameplate, Nonautomatic	297506
Nut, captive (4)	298810		
29-PR	PA-295096	Pushbutton—ETON Auto/Manual with Override	
		Screw, R.H.M. 6-32 (4)	X-49-6
		Spacer, fiber	X-712-2
		Switch, toggle	238357
		Decal	294314
		Harness, wiring	294363
		Switch, toggle	295030
		Socket, relay (2)	295034
		Spacer, socket (2)	295151
		Clamp, relay hold down (2)	295189
		Relay (2)	295254
Nut, captive (4)	298810		

Pushbutton Operations, Continued

KA-Accessory	Kit Number	Description	Part Number
29-PS		Pushbutton—ETON Auto/Manual with Override Screw, R.H.M. 6-32 (6) Spacer, fiber (6) Ring, lock (2) Terminal, adapter (2) Switch, toggle Decal, Manual Transfer (30-150 Amp.) Harness, wiring Switch, toggle Socket, relay (2) Harness, wiring Spacer, socket (2) Clamp, relay hold-down (2) Nameplate Relay (2) Decal, U.L. Decal, U.L. (Non-automatic) Nameplate, Non-automatic (KN) Nut, captive (4)	X-49-6 X-712-2 151511 233704 238357 294314 294363 295030 295034 295134 295151 295189 295232 295254 297009 297484 297506 298810
29-QS	PA-294099	Pushbutton—Both Directions with Override Screw, R.H.M. 6-32 (6) Spacer, fiber (6) Ring, lock (2) Decal, Manual Transfer (30-150 Amp.) Harness, wiring Switch, toggle (2) Socket, relay (3) Harness, wiring Spacer, socket (3) Clamp, relay hold-down (3) Relay (3) Nut, captive (6)	X-49-6 X-712-2 151511 294314 294361 295030 295034 295134 295151 295189 295254 298810
29-QS1	PA-294100	Pushbutton—Both Directions with Override Clip, relay (2) Socket, relay (2) Relay (2) Switch, operator (2) Contact assembly Nut, captive (2)	269972 295150 295254 298041 298054 298810

Pushbutton Operations, Continued

KA-Accessory	Kit Number	Description	Part Number
29-RS	PA-294102	Pushbutton—Both Directions with Override	
		Screw, R.H.M. 6-32 (6)	X-49-6
		Spacer, fiber (6)	X-712-2
		Ring, lock (2)	151511
		Decal, Manual Transfer (30-150 Amp.)	294314
		Harness, wiring	294361
		Switch, toggle (2)	295030
		Socket, relay (3)	295034
		Spacer, socket (3)	295151
		Clamp, relay hold-down (3)	295189
		Relay (3)	295254
		Nut, captive (6)	298810
29-SS	PA-294104	Pushbutton—Both Directions with Override	
		Screw, R.H.M. 6-32 (6)	X-49-6
		Spacer, fiber (6)	X-712-2
		Ring, lock (3)	151511
		Terminal, adapter (4)	233704
		Switch, toggle	238357
		Decal, Manual Transfer (30-150 Amp.)	294314
		Harness, wiring	294361
		Switch, toggle (2)	295030
		Socket, relay (3)	295034
		Spacer, socket (3)	295151
		Clamp, relay hold-down (3)	295189
		Relay (3)	295254
29-TS	PA-297757	Pushbutton—Both Directions with Override	
		Screw, R.H.M. 6-32 (6)	X-49-6
		Spacer, fiber (6)	X-712-2
		Ring, lock (3)	151511
		Terminal, adapter (4)	233704
		Switch, toggle	238357
		Decal, Manual Transfer (30-150 Amp.)	294314
		Harness, wiring	294361
		Switch, toggle (2)	295030
		Socket, relay (3)	295034
		Spacer, socket (3)	295151
		Clamp, relay hold-down (3)	295189
		Relay (3)	295254

Pushbutton Operations, Continued

KA-Accessory	Kit Number	Description	Part Number
29-US	PA-297758	Pushbutton—ETON with Override	
		Screw, R.H.M. 6-32 (6)	X-49-6
		Spacer, fiber (6)	X-712-2
		Ring, lock	151511
		Decal, Manual Transfer (30-150 Amp.)	294314
		Harness, wiring	294363
		Switch, toggle	295030
		Socket, relay (2)	295034
		Spacer, socket (2)	295151
		Clamp, relay hold-down (2)	295189
		Relay (2)	295254
Nut, captive (4)	298810		
29-VS		Pushbutton—ETON with Override	
		Insulink (4)	X-367-3
		Ring, lock	151511
		Decal, Manual Transfer (30-150 Amp.)	294314
		Switch, toggle	295030
		Socket, relay (2)	295150
		Clamp, relay hold-down (2)	295189
		Nameplate	295232
		Relay (2)	295254
		Decal, U.L. Nonautomatic	297009
		Decal, U.L., Nonautomatic (KN)	297484
Nameplate	297506		
Nut, captive (4)	298810		

Cranking Limiters

KA-Accessory	Kit Number	Description	Part Number
30-A	295760	Cranking Limiter	
		Socket, relay	295034
		Relay, time delay (See note G)	296276
		Clamp, relay hold-down	295189
30-B	297264	Relay	295254
		Cranking Limiter	
		Socket, relay	295034
		Relay, time delay (See note G)	296276
		Clamp, relay hold-down	295189
30-C	297695	Relay	295254
		Strip, terminal	295394
		Cranking Limiter	
		Spacer, fiber (3)	X-712-2
		Clip, relay (2)	269972
		Socket, relay (3)	295034
		Relay (DPDT)	295253
Relay, time delay	295320		
Relay (DPDT)	267697		
Clamp, relay	297834		

Audible Alarms

KA-Accessory	Kit Number	Description	Part Number
31-AA	PA-295761	Audible Alarm	
		Bushing, nylon	X-634-22
		Ring, lock	151511
		Switch, toggle	268015
		Bell, alarm	295149
		Decal, Manual Transfer (30-150 Amp.)	294314
		Decal, Alarm Silencer	297277
31-AB	PA-295762	Audible Alarm	
		Bushing, nylon	X-634-22
		Ring, lock	151511
		Switch, toggle	268015
		Bell, alarm	295149
		Decal, Manual Transfer (30-150 Amp.)	294314
		Transformer	295354
Decal, Alarm Silencer	297277		
31-AC	PA-295763	Audible Alarm	
		Bushing, nylon	X-634-22
		Ring, lock	151511
		Switch, toggle	268015
		Bell, alarm	295149
		Decal, Manual Transfer (30-150 Amp.)	294314
		Transformer	295355
Decal, Alarm Silencer	297277		
31-AD	PA-295764	Audible Alarm	
		Bushing, nylon	X-634-22
		Ring, lock	151511
		Switch, toggle	268015
		Bell, alarm	295149
		Transformer	295301
		Decal, Manual Transfer (30-150 Amp.)	294314
Decal, Alarm Silencer	297277		
31-AE	PA-295765	Audible Alarm	
		Bushing, nylon	X-634-22
		Ring, lock	151511
		Switch, toggle	268015
		Bell, alarm	295149
		Transformer	295302
		Decal, Manual Transfer (30-150 Amp.)	294314
Decal, Alarm Silencer	297277		
31-AF	PA-295766	Audible Alarm	
		Bushing, nylon	X-634-22
		Ring, lock	151511
		Switch, toggle	268015
		Bell, alarm	295149
		Transformer	295299
		Decal, Manual Transfer (30-150 Amp.)	294314
Decal, Alarm Silencer	297277		

Audible Alarms, Continued

KA-Accessory	Kit Number	Description	Part Number
31-BA	295761	Audible Alarm, 110-120 Volt	
		Bushing, nylon	X-634-22
		Ring, lock	151511
		Switch, toggle	268015
		Bell, alarm	295149
		Decal, Manual Transfer (30-150 Amp.)	294314
		Decal, Alarm Silencer	297277
31-BB	295762	Audible Alarm, 190-208 Volt	
		Bushing, nylon	X-634-22
		Ring, lock	151511
		Switch, toggle	268015
		Bell, alarm	295149
		Decal, Manual Transfer (30-150 Amp.)	294314
		Transformer	295354
Decal, Alarm Silencer	297277		
31-BC	295763	Audible Alarm, 220-240 Volt	
		Bushing, nylon	X-634-22
		Ring, lock	151511
		Switch, toggle	268015
		Bell, alarm	295149
		Decal, Manual Transfer (30-150 Amp.)	294314
		Transformer	295355
Decal, Alarm Silencer	297277		
31-BD	295764	Audible Alarm, 320-416 Volt	
		Bushing, nylon	X-634-22
		Ring, lock	151511
		Switch, toggle	268015
		Bell, alarm	295149
		Decal, Manual Transfer (30-150 Amp.)	294314
		Transformer	295301
Decal, Alarm Silencer	297277		
31-BE	295765	Audible Alarm, 440-480 Volt	
		Bushing, nylon	X-634-22
		Ring, lock	151511
		Switch, toggle	268015
		Bell, alarm	295149
		Decal, Manual Transfer (30-150 Amp.)	294314
		Transformer	295302
Decal, Alarm Silencer	297277		
31-BF	295766	Audible Alarm, 575-600 Volt	
		Bushing, nylon	X-634-22
		Ring, lock	151511
		Switch, toggle	268015
		Bell, alarm	295149
		Decal, Manual Transfer (30-150 Amp.)	294314
		Transformer	295299
Decal, Alarm Silencer	297277		

In-Phase Monitors

KA-Accessory	Kit Number	Description	Part Number
34-ANB	PA-294204	In-Phase Monitor	
		Washer, plain (8)	X-25-9
		Screw, R.H.M. #6 x 9/16 (4)	X-49-15
		Screw, R.H.M. 6-32 x 3/8 (4)	X-49-2
		Socket, relay (2)	295034
		Monitor, In-phase	295157
		Clamp, relay hold-down (2)	295189
		Relay	295254
		Relay	295318
		Harness, wiring	298793
Nut, captive (4)	298810		
34-AND	PA-294206	In-Phase Monitor	
		Washer, plain (8)	X-25-9
		Screw, R.H.M. #6 x 9/16 (4)	X-49-15
		Screw, R.H.M. 6-32 x 3/8 (4)	X-49-2
		Socket, relay (2)	295034
		Monitor, In-phase	295159
		Clamp, relay hold-down (2)	295189
		Relay	295254
		Relay	295318
		Harness, wiring	298793
Nut, captive (4)	298810		
34-ANE	PA-294207	In-Phase Monitor	
		Washer, plain (8)	X-25-9
		Screw, R.H.M. #6 x 9/16 (4)	X-49-15
		Screw, R.H.M. 6-32 x 3/8 (4)	X-49-2
		Socket, relay (2)	295034
		Monitor, In-phase	295906
		Clamp, relay hold-down (2)	295189
		Relay	295254
		Relay	295318
		Harness, wiring	298793
Nut, captive (4)	298810		
34-ANF	PA-294208	In-Phase Monitor	
		Washer, plain (8)	X-25-9
		Screw, R.H.M. #6 x 9/16 (4)	X-49-15
		Screw, R.H.M. 6-32 x 3/8 (4)	X-49-2
		Socket, relay (2)	295034
		Monitor, In-phase	295907
		Clamp, relay hold-down (2)	295189
		Relay	295254
		Relay	295318
		Harness, wiring	298793
Nut, captive (4)	298810		

In-Phase Monitors, Continued

KA-Accessory	Kit Number	Description	Part Number
34-ANG	PA-294209	In-Phase Monitor Washer, plain (8) Screw, R.H.M. #6 x 9/16 (4) Screw, R.H.M. 6-32 x 3/8 (4) Socket, relay (2) Monitor, In-phase Clamp, relay hold-down (2) Relay Relay Harness, wiring Nut, captive (4)	 X-25-9 X-49-15 X-49-2 295034 295908 295189 295254 295318 298793 298810
34-ANH	PA-294210	In-Phase Monitor Washer, plain (8) Screw, R.H.M. #6 x 9/16 (4) Screw, R.H.M. 6-32 x 3/8 (4) Socket, relay (2) Monitor, In-phase Clamp, relay hold-down (2) Relay Relay Harness, wiring Nut, captive (4)	 X-25-9 X-49-15 X-49-2 295034 295909 295189 295254 295318 298793 298810
34-ANR	PA-294205	In-Phase Monitor Washer, plain (8) Screw, R.H.M. #6 x 9/16 (4) Screw, R.H.M. 6-32 x 3/8 (4) Socket, relay (2) Monitor, In-phase Clamp, relay hold-down (2) Relay Relay Harness, wiring Nut, captive (4)	 X-25-9 X-49-15 X-49-2 295034 295158 295189 295254 295318 298793 298810
34-ARB	PA-294179	In-Phase Monitor, 208V, 60 Hz. Screw, R.H.M. #6 (4) Screw, R.H.M. 6-32 (4) Socket, relay (2) Monitor, In-phase Clamp, relay hold-down (2) Relay Relay Harness, wiring Nut, captive (8)	 X-49-15 X-49-2 295034 295157 295189 295254 295318 295391 298810

In-Phase Monitors, Continued

KA-Accessory	Kit Number	Description	Part Number
34-ARC	PA-294180	In-Phase Monitor, 240 Volt, 60 Hz.	
		Screw, R.H.M. #6 (4)	X-49-15
		Screw, R.H.M. 6-32 (4)	X-49-2
		Socket, relay (2)	295034
		Clamp, relay hold-down (2)	295189
		Relay	295254
		Relay	295318
		Harness, wiring	295391
		Nut, captive (8)	298810
34-ARD	PA-294181	In-Phase Monitor, 480 Volt, 60 Hz.	
		Screw, R.H.M. #6 (4)	X-49-15
		Screw, R.H.M. 6-32 (4)	X-49-2
		Socket, relay (2)	295034
		Monitor, In-phase	295159
		Clamp, relay hold-down (2)	295189
		Relay	295254
		Harness, wiring	295391
		Nut, captive (8)	298810
34-ARE	PA-294182	In-Phase Monitor, 220 Volt, 50 Hz.	
		Screw, R.H.M. #6 (4)	X-49-15
		Screw, R.H.M. 6-32 (4)	X-49-2
		Socket, relay (2)	295034
		Clamp, relay hold-down	295189
		Relay	295254
		Relay	295318
		Harness, wiring	295391
		Monitor, In-phase	295906
		Nut, captive (8)	298810
34-ARF	PA-294183	In-Phase Monitor, 380 Volt, 50 Hz.	
		Screw, R.H.M. #6 (4)	X-49-15
		Screw, R.H.M. 6-32 (4)	X-49-2
		Socket, relay (2)	295034
		Clamp, relay hold-down (2)	295189
		Relay	295254
		Relay	295318
		Harness, wiring	295391
		Monitor, In-phase	295907
		Decal, U.L.	297009
		Nut, captive (8)	298810
34-ARG	PA-294184	In-Phase Monitor, 416 Volt, 50 Hz.	
		Screw, R.H.M. #6 (4)	X-49-15
		Screw, R.H.M. 6-32 (4)	X-49-2
		Socket, relay (2)	295034
		Clamp, relay hold-down (2)	295189
		Relay	295254
		Relay	295318
		Harness, wiring	295391
		Monitor, In-phase	295908
		Nut, captive (8)	298810

In-Phase Monitors, Continued

KA-Accessory	Kit Number	Description	Part Number
34-ARH	PA-294185	In-Phase Monitor, 480 Volt, 50 Hz.	
		Screw, R.H.M. #6 (4)	X-49-15
		Screw, R.H.M. 6-32 (4)	X-49-2
		Socket, relay (2)	295034
		Clamp, relay hold-down (2)	295189
		Relay	295254
		Relay	295318
		Harness, wiring	295391
		Monitor, In-phase	295909
		Nut, captive (8)	298810
34-ASB	PA-295768	In-Phase Monitor, 208 Volt, 60 Hz.	
		Screw, R.H.M. #6 (2)	X-49-15
		Screw, R.H.M. 6-32 (4)	X-49-2
		Socket, relay	295034
		Monitor, In-phase	295157
		Clamp, relay hold-down	295189
		Relay	295254
		Harness, wiring	295391
		Nut, captive (6)	298810
34-ASC	PA-295769	In-Phase Monitor, 240 Volt, 60 Hz.	
		Screw, R.H.M. #6 (2)	X-49-15
		Screw, R.H.M. 6-32 (4)	X-49-2
		Socket, relay	295034
		Monitor, In-phase	295158
		Clamp, relay hold-down (2)	295189
		Relay	295254
		Nut, captive (6)	298810
34-ASD	PA-295770	In-Phase Monitor, 480 Volt, 60 Hz.	
		Screw, R.H.M. #6 (2)	X-49-15
		Screw, R.H.M. 6-32 (4)	X-49-2
		Socket, relay	295034
		Monitor, In-phase	295159
		Clamp, relay hold-down	295189
		Relay	295254
		Harness, wiring	295391
		Nut, captive (6)	298810
34-ASE	PA-295910	In-Phase Monitor, 220 Volt, 50 Hz.	
		Screw, R.H.M. #6 (2)	X-49-15
		Screw, R.H.M. 6-32 (4)	X-49-2
		Socket, relay	295034
		Monitor, In-phase	295906
		Clamp, relay hold-down	295189
		Relay	295254
		Harness, wiring	295391
		Nut, captive (6)	298810

In-Phase Monitors, Continued

KA-Accessory	Kit Number	Description	Part Number
34-ASF	PA-295911	In-Phase Monitor, 380 Volt, 50 Hz.	
		Screw, R.H.M. #6 (2)	X-49-15
		Screw, R.H.M. 6-32 (4)	X-49-2
		Socket, relay	295034
		Monitor, In-phase	295907
		Clamp, relay hold-down	295189
		Relay	295254
		Harness, wiring	295391
		Nut, captive (6)	298810
34-ASG	PA-295912	In-Phase Monitor, 416 Volt, 50 Hz.	
		Screw, R.H.M. #6 (2)	X-49-15
		Screw, R.H.M. 6-32 (4)	X-49-2
		Socket, relay	295034
		Monitor, In-phase	295908
		Clamp, relay hold-down	295189
		Relay	295254
		Harness, wiring	295391
		Decal, U.L.	297009
		Nut, captive	298810
34-ASH	PA-295913	In-Phase Monitor, 440 Volt, 50 Hz.	
		Screw, R.H.M. #6 (2)	X-49-15
		Screw, R.H.M. 6-32 (4)	X-49-2
		Socket, relay	295034
		Monitor, In-phase	295909
		Clamp, relay hold-down	295189
		Relay	295254
		Harness, wiring	295391
		Nut, captive (6)	298810
34-ASJ		In-Phase Monitor, 600 Volt	
		Screw, R.H.M. #6 (2)	X-49-15
		Screw, R.H.M. 6-32 (4)	X-49-2
		Socket, relay	295034
		Monitor, In-phase	294216
		Clamp, relay hold-down	295189
		Relay	295254
		Harness, wiring	295391
		Nut, captive (6)	298810

Sync. Check Relays

KA-Accessory	Kit Number	Description	Part Number
34-BRB		Sync. Check Relay Both Directions, 190-208 Volt	
		Terminal	X-367-1
		Screw, R.H.M. #6 (4)	X-49-15
		Screw, R.H.M. 6-32 (4)	X-49-26
		Spacer, fiber	X-712-2
		Socket, relay (3)	295034
		Spacer, socket (3)	295151
		Clamp, relay hold-down (3)	295189
		Relay (2)	295254
		Relay	295318
		Harness, wiring	295391
		Relay, synchronizing	297792
		Nut, captive (8)	298810
34-BRC		Sync. Check Relay Both Directions, 220-240 Volt	
		Terminal	X-367-1
		Screw, R.H.M. #6 (4)	X-49-15
		Screw, R.H.M. 6-32 (4)	X-49-26
		Spacer, fiber	X-712-2
		Socket, relay (3)	295034
		Spacer, socket (3)	295151
		Clamp, relay hold-down (3)	295189
		Relay (2)	295254
		Transformer	295286
		Relay	295318
		Harness wiring	295391
		Relay, synchronizing	297791
		Nut, captive (8)	298810
34-BRD		Sync. Check Relay Both Directions, 380 Volt	
		Terminal	X-367-1
		Screw, R.H.M. #6 (4)	X-49-15
		Screw, R.H.M. 6-32 (4)	X-49-26
		Spacer, fiber	X-712-2
		Socket, relay (3)	295034
		Spacer, socket (3)	295151
		Clamp, relay hold-down (3)	295189
		Relay (2)	295254
		Harness wiring	295391
		Transformer	295290
		Relay	295318
		Relay, synchronizing	297795
		Nut, captive (8)	298810

Sync. Check Relays, Continued

KA-Accessory	Kit Number	Description	Part Number
34-BRE		Sync. Check Relay Both Directions, 440-480 Volt	
		Terminal	X-367-1
		Screw, R.H.M. #6 (4)	X-49-15
		Screw, R.H.M. 6-32 (4)	X-49-26
		Spacer, fiber	X-712-2
		Socket, relay (3)	295034
		Spacer, socket (3)	295151
		Clamp, relay hold-down (3)	295189
		Relay (2)	295254
		Transformer	295293
		Relay	295318
		Harness, wiring	295391
		Relay, synchronizing	297793
Nut, captive (8)	298810		
34-BRF		Sync. Check Relay Both Directions, 550-600 Volt	
		Terminal	X-367-1
		Screw, R.H.M. #6 (4)	X-49-15
		Screw, R.H.M. 6-32 (4)	X-49-26
		Spacer, fiber	X-712-2
		Socket, relay (3)	295034
		Spacer, socket (3)	295151
		Clamp, relay hold-down (3)	295189
		Relay (2)	295254
		Transformer	295287
		Relay	295318
		Harness, wiring	295391
		Relay, synchronizing	297794
Nut, captive (8)	298810		
34-BRH		Sync. Check Relay Both Directions, 110-120 Volt	
		Screw, R.H.M. #6 (4)	X-49-15
		Screw, R.H.M. 6-32 (4)	X-49-26
		Spacer, fiber	X-712-2
		Socket, relay (3)	295034
		Spacer, socket (3)	295151
		Clamp, relay hold-down (3)	295189
		Relay (2)	295254
		Transformer	295284
		Relay	295318
		Harness, wiring	295391
		Relay, synchronizing	297790
		Nut, captive (10)	298810

Sync. Check Relays, Continued

KA-Accessory	Kit Number	Description	Part Number
34-BSB		Sync. Check Relay Both Directions, 190-208 Volt Terminal Screw, R.H.M. #6 (2) Screw, R.H.M. 6-32 (4) Spacer, fiber Socket, relay (2) Spacer, socket (2) Clamp, relay hold-down (2) Relay (2) Transformer Harness, wiring Relay, synchronizing Nut, captive (2) Nut, captive (8)	 X-367-1 X-49-15 X-49-26 X-712-2 295034 295151 295189 295254 295285 295391 297792 298810 298811
34-BSC		Sync. Check Relay Both Directions, 220-240 Volt Terminal Screw, R.H.M. #6 (2) Screw, R.H.M. 6-32 (4) Spacer, fiber Socket, relay (2) Clamp, relay hold-down (2) Relay (2) Transformer Harness, wiring Relay, synchronizing Nut, captive (2) Nut, captive (8)	 X-367-1 X-49-15 X-49-26 X-712-2 295034 295189 295254 295286 295391 297791 298810 298811
34-BSD		Sync. Check Relay Both Directions, 380 Volt Terminal Screw, R.H.M. #6 (2) Screw, R.H.M. 6-32 (4) Spacer, fiber Socket, relay (2) Spacer, socket (2) Clamp, relay hold-down (2) Relay (2) Transformer Harness, wiring Relay, synchronizing Nut, captive (2) Nut, captive (8)	 X-367-1 X-49-15 X-49-26 X-712-2 295034 295151 295189 295254 295290 295391 297795 298810 298811

Sync. Check Relays, Continued

KA-Accessory	Kit Number	Description	Part Number
34-BSE		Sync. Check Relay Both Directions, 440-480 Volt	
		Terminal	X-367-1
		Screw, R.H.M. #6 (2)	X-49-15
		Screw, R.H.M. 6-32 (4)	X-49-26
		Spacer, fiber	X-712-2
		Socket, relay (2)	295034
		Spacer, socket (2)	295151
		Clamp, relay hold-down (2)	295189
		Relay (2)	295254
		Transformer	295293
		Harness, wiring	295391
		Relay, synchronizing	297793
		Nut, captive (2)	298810
Nut, captive (8)	298811		
34-BSF		Sync. Check Relay Both Directions, 550-600 Volt	
		Terminal	X-367-1
		Screw, R.H.M. #6 (2)	X-49-15
		Screw, R.H.M. 6-32 (4)	X-49-26
		Spacer, fiber	X-712-2
		Socket, relay (2)	295034
		Spacer, socket (2)	295151
		Clamp, relay hold-down (2)	295189
		Relay (2)	295254
		Transformer	295287
		Harness, wiring	295391
		Relay, synchronizing	297794
		Nut, captive (2)	298810
Nut, captive (8)	298811		
34-BSH		Sync. Check Relay Both Directions, 110-120 Volt	
		Screw, R.H.M. #6 (2)	X-49-15
		Screw, R.H.M. 6-32 (4)	X-49-26
		Spacer, fiber	X-712-2
		Socket, relay (2)	295034
		Spacer, socket (5)	295151
		Clamp, relay hold-down (3)	295189
		Relay (3)	295254
		Transformer	295284
		Harness, wiring	295391
		Relay, synchronizing	297790
Nut, captive (10)	298810		

Sync. Check Relays, Continued

KA-Accessory	Kit Number	Description	Part Number
34-CRB		Sync. Check Relay Emergency to Normal, 190-208 Volt	
		Terminal	X-367-1
		Screw, R.H.M. 6-32 (8)	X-49-26
		Spacer, fiber	X-712-2
		Connector, jack 6 position	241616
		Connector, plug 6 position	241617
		Harness, wiring	294176
		Harness, wiring	294177
		Socket, relay (3)	295034
		Spacer, socket (3)	295151
		Clamp, relay hold-down (3)	295189
		Relay (2)	295254
		Transformer	295285
		Relay	295318
		Harness, wiring	295391
		Relay, synchronizing	297792
		Nut, captive (8)	298810
34-CRC		Sync. Check Relay Emergency to Normal 220-240 Volt	
		Terminal	X-367-1
		Screw, R.H.M. 6-32 (8)	X-49-26
		Spacer, fiber	X-712-2
		Connector, jack 6 position	241616
		Harness, wiring	294176
		Harness, wiring	294177
		Socket, relay (3)	295034
		Spacer, socket (3)	295151
		Clamp, relay hold-down (3)	295189
		Relay (2)	295254
		Transformer	295286
		Relay	295318
		Harness, wiring	295391
		Relay, synchronizing	297791
		Nut, captive (8)	298810
34-CRD		Sync. Check Relay Emergenct to Normal, 380 Volt	
		Terminal	X-367-1
		Screw, R.H.M. 6-32 (8)	X-49-26
		Spacer, fiber	X-712-2
		Connector, jack 6 position	241616
		Connector, plug 6 position	241617
		Harness, wiring	294176
		Harness, wiring	294177
		Spacer, socket (3)	295151
		Clamp, relay hold-down (3)	295189
		Relay (2)	295254
		Transformer	295290
		Relay	295318
		Harness, wiring	295391
		Relay, synchronizing	297795
		Nut, captive (8)	298810

Sync. Check Relays, Continued

KA-Accessory	Kit Number	Description	Part Number
34-CRE		Sync. Check Relay Emergency to Normal, 440-480 Volt	
		Terminal	X-367-1
		Screw, R.H.M. 6-32 (8)	X-49-26
		Spacer, fiber	X-712-2
		Connector, jack 6 position	241616
		Connector, plug 6 position	241617
		Harness, wiring	294176
		Harness, wiring	294177
		Socket, relay (3)	295034
		Spacer, socket (3)	295151
		Clamp, relay hold-down (3)	295189
		Relay (2)	295254
		Transformer	295293
		Relay	295318
		Harness, wiring	295391
		Relay, synchronizing	297793
Nut, captive (8)	298810		
34-CRF		Sync. Check Relay Emergency to Normal, 550-600 Volt	
		Terminal	X-367-1
		Screw, R.H.M. 6-32 (8)	X-49-26
		Spacer, fiber	X-712-2
		Connector, jack 6 position	241616
		Connector, plug 6 position	241617
		Harness, wiring	294176
		Harness, wiring	294177
		Socket, relay (3)	295034
		Spacer, socket (3)	295151
		Clamp, relay hold-down (3)	295189
		Transformer	295287
		Relay	295318
		Harness, wiring	295391
		Relay, synchronizing	297794
		Nut, captive (8)	298810
34-CRH		Sync. Check Relay Emergency to Normal, 110-120 Volt	
		Terminal	X-367-1
		Screw, R.H.M. 6-32 (8)	X-49-26
		Spacer, fiber	X-712-2
		Connector, jack 6 position	241616
		Connector, plug 6 position	241617
		Harness, wiring	294176
		Harness, wiring	294177
		Socket, relay (3)	295034
		Spacer, socket (3)	295151
		Clamp, relay hold-down (3)	295189
		Relay (2)	295254
		Transformer	295284
		Relay	295318
		Harness, wiring	295391
		Relay, synchronizing	297790
Nut, captive (8)	298810		

Sync. Check Relays, Continued

KA-Accessory	Kit Number	Description	Part Number
34-CSB		Sync. Check Relay Emergency to Normal, 190-208 Volt	
		Terminal	X-367-1
		Insulink (2)	X-367-3
		Screw, R.H.M. 6-32 (10)	X-49-26
		Spacer, fiber	X-712-2
		Connector, jack 6 position	241616
		Connector, plug 6 position	241617
		Harness, wiring	294176
		Harness, wiring	294177
		Socket, relay (2)	295034
		Spacer, socket (2)	295151
		Clamp, relay hold-down (2)	295189
		Relay (2)	295254
		Transformer	295285
		Harness, wiring	295391
		Relay, synchronizing	297792
		Nut, captive (10)	298810
34-CSC		Sync. Check Relay Emergency to Normal, 220-240 Volt	
		Terminal	X-367-1
		Insulink (2)	X-367-3
		Screw, R.H.M. 6-32 (10)	X-49-26
		Spacer, fiber	X-712-2
		Connector, jack 6 position	241616
		Connector, plug 6 position	241617
		Socket, relay (2)	295034
		Harness, wiring	294176
		Harness, wiring	294177
		Spacer, socket (2)	295151
		Clamp, relay hold-down (2)	295189
		Transformer	295286
		Harness, wiring	295391
		Relay, synchronizing	297791
		Nut, captive (10)	298810
34-CSD		Sync. Check Relay Emergency to Normal, 380 Volt	
		Terminal	X-367-1
		Screw, R.H.M. 6-32 (10)	X-49-26
		Spacer, fiber	X-712-2
		Connector, jack 6 position	241616
		Connector, plug 6 position	241617
		Harness, wiring	294176
		Harness, wiring	294177
		Socket, relay (2)	295034
		Spacer, socket (2)	295151
		Clamp, relay hold-down (2)	295189
		Transformer	295290
		Harness, wiring	295391
		Relay, synchronizing	297795
		Nut, captive (10)	298810

Sync. Check Relays, Continued

KA-Accessory	Kit Number	Description	Part Number
34-CSE		Sync. Check Relay Emergency to Normal, 440-480 Volt	
		Terminal	X-367-1
		Screw, R.H.M. 6-32 (10)	X-49-26
		Spacer, fiber	X-712-2
		Connector, jack 6 position	241616
		Connector, plug 6 position	241617
		Harness, wiring	294176
		Harness, wiring	294177
		Socket, relay (2)	295034
		Spacer, socket (2)	295151
		Clamp, relay hold-down (2)	295189
		Relay (2)	295254
		Transformer	295293
		Harness, wiring	295391
		Relay, synchronizing	297793
Nut, captive (10)	298810		
34-CSF		Sync. Check Relay Emergency to Normal, 550-600 Volt	
		Terminal	X-367-1
		Screw, R.H.M. 6-32 (10)	X-49-26
		Spacer, fiber	X-712-2
		Connector, jack 6 position	241616
		Connector, plug 6 position	241617
		Harness, wiring	294176
		Harness, wiring	294177
		Socket, relay (2)	295034
		Spacer, socket (2)	295151
		Clamp, relay hold-down (2)	295189
		Relay (2)	295254
		Transformer	295287
		Harness, wiring	295391
		Relay, synchronizing	297794
Nut, captive (10)	298810		
34-CSH		Sync. Check Relay Emergency to Normal, 110-120 Volt	
		Terminal	X-367-1
		Screw, R.H.M. 6-32 (10)	X-49-26
		Spacer, fiber	X-712-2
		Connector, jack 6 position	241616
		Connector, plug 6 position	241617
		Harness, wiring	294176
		Harness, wiring	294177
		Socket, relay (2)	295034
		Spacer, socket (2)	295151
		Clamp, relay hold-down (2)	295189
		Relay (2)	295254
		Transformer	295284
		Harness, wiring	295391
		Relay, synchronizing	297790
Nut, captive (10)	298810		

Sync. Check Relays, Continued

KA-Accessory	Kit Number	Description	Part Number
34-DRB		Sync. Check Relay Normal to Emergency, 190-208 Volt Terminal Screw, R.H.M. 6-32 (8) Spacer, fiber Connector, jack 6 position Connector, plug 6 position Harness, wiring Harness, wiring Socket, relay (3) Spacer, socket (3) Clamp, relay hold-down (3) Relay (2) Transformer Relay Harness, wiring Relay, synchronizing Nut, captive (8)	X-367-1 X-49-26 X-712-2 241616 241617 294176 294177 295034 295151 295189 295254 295285 295318 295391 297792 298810
34-DRC		Sync. Check Relay Normal to Emergency, 220-240 Volt Terminal Screw, R.H.M. 6-32 (8) Spacer, fiber Connector, jack 6 position Connector, plug 6 position Harness, wiring Harness, wiring Socket, relay (3) Spacer, socket (3) Clamp, relay hold-down (3) Relay (2) Transformer Relay Harness, wiring Relay, synchronizing Nut, captive (8)	X-367-1 X-49-26 X-712-2 241616 241617 294176 294177 295034 295151 295189 295254 295286 295318 295391 297791 298810

Sync. Check Relays, Continued

KA-Accessory	Kit Number	Description	Part Number
34-DRD		Sync. Check Relay Normal to Emergency, 380 Volt	
		Terminal	X-367-1
		Screw, R.H.M. 6-32 (8)	X-49-26
		Spacer, fiber	X-712-2
		Connector, jack 6 position	241616
		Connector, plug 6 position	241617
		Harness, wiring	294176
		Harness, wiring	294177
		Socket, relay (3)	295034
		Spacer, socket (3)	295151
		Clamp, relay hold-down (3)	295189
		Relay (2)	295254
		Transformer	295290
		Relay	295318
		Harness, wiring	295391
		Relay, synchronizing	297795
Nut, captive (8)	298810		
34-DRE		Sync. Check Relay Normal to Emergency, 440-480 Volt	
		Terminal	X-367-1
		Screw, R.H.M. 6-32 (8)	X-49-26
		Connector, jack 6 position	241616
		Connector, plug 6 position	241617
		Harness, wiring	294176
		Harness, wiring	294177
		Socket, relay (3)	295034
		Spacer, socket (3)	295151
		Clamp, relay hold-down (3)	295189
		Relay (2)	295254
		Transformer	295293
		Relay	295318
		Harness, wiring	295391
		Relay, synchronizing	297793
		Nut, captive (8)	298810
34-DRF		Sync. Check Relay Normal to Emergency, 550-600 Volt	
		Terminal	X-367-1
		Screw, R.H.M. 6-32 (8)	X-49-26
		Spacer, fiber	X-712-2
		Connector, jack 6 position	241616
		Connector, plug 6 position	241617
		Harness, wiring	294176
		Harness, wiring	294177
		Socket, relay (3)	295034
		Spacer, socket (3)	295151
		Clamp, relay hold-down (3)	295189
		Relay (2)	295254
		Transformer	295287
		Relay	295318
		Harness, wiring	295391
		Relay, synchronizing	297794
Nut, captive (8)	298810		

Sync. Check Relays, Continued

KA-Accessory	Kit Number	Description	Part Number
34-DRH		Sync. Check Relay Normal to Emergency, 110-120 Volt	
		Terminal	X-367-1
		Screw, R.H.M. 6-32 (8)	X-49-26
		Spacer, fiber	X-712-2
		Connector, jack 6 position	241616
		Connector, plug 6 position	241617
		Harness, wiring	294176
		Harness, wiring	294177
		Socket, relay (3)	295034
		Spacer, socket (3)	295151
		Clamp, relay hold-down (3)	295189
		Relay (2)	295254
		Transformer	295284
		Relay	295318
		Harness, wiring	295391
		Relay, synchronizing	297790
		Nut, captive (8)	298810
34-DSB		Sync. Check Relay Normal to Emergency, 190-208 Volt	
		Terminal	X-367-1
		Screw, R.H.M. 6-32 (10)	X-49-26
		Spacer, fiber	X-712-2
		Diode, bridge 10A	241610
		Connector, plug 6 position	241617
		Harness, wiring	294176
		Harness, wiring	294177
		Socket, relay (2)	295034
		Spacer, socket (2)	295151
		Clamp, relay hold-down (2)	295189
		Transformer	295285
		Harness, wiring	295391
		Relay, synchronizing	297792
		Nut, captive (10)	298810
34-DSC		Sync. Check Relay Normal to Emergency, 220-240 Volt	
		Terminal	X-367-1
		Screw, R.H.M. 6-32 (10)	X-49-26
		Spacer, fiber	X-712-2
		Connector, jack 6 position	241616
		Connector, plug 6 position	241617
		Harness, wiring	294176
		Harness, wiring	294177
		Socket, relay (2)	295034
		Spacer, socket (2)	295151
		Clamp, relay hold-down (2)	295189
		Relay (2)	295254
		Transformer	295286
		Harness, wiring	295391
		Relay, synchronizing	297791
		Nut, captive (10)	298810

Sync. Check Relays, Continued

KA-Accessory	Kit Number	Description	Part Number
34-DSD		Sync. Check Relay Normal to Emergency, 380 Volt	
		Terminal	X-367-1
		Screw, R.H.M. 6-32 (10)	X-49-26
		Spacer, fiber	X-712-2
		Connector, jack 6 position	241616
		Connector, plug 6 position	241617
		Harness, wiring	294176
		Harness, wiring	294177
		Socket, relay (2)	295034
		Spacer, socket (2)	295151
		Clamp, relay hold-down (2)	295189
		Relay (2)	295254
		Transformer	295290
		Harness, wiring	295391
Relay, synchronizing	297795		
34-DSE		Sync. Check Relay Normal to Emergency, 440-480 Volt	
		Terminal	X-367-1
		Screw, R.H.M. 6-32 (10)	X-49-26
		Spacer, fiber	X-712-2
		Connector, jack 6 position	241616
		Connector, plug 6 position	241617
		Harness, wiring	294176
		Harness, wiring	294177
		Socket, relay (2)	295034
		Spacer, socket (2)	295151
		Clamp, relay hold-down (2)	295189
		Relay (2)	295254
		Transformer	295293
		Harness, wiring	295391
Relay, synchronizing	297793		
Nut, captive (10)	298810		
34-DSF		Sync. Check Relay Normal to Emergency, 110-120 Volt	
		Terminal	X-367-1
		Screw, R.H.M. 6-32 (10)	X-49-26
		Spacer, fiber	X-712-2
		Connector, jack 6 position	241616
		Connector, plug 6 position	241617
		Harness, wiring	294176
		Harness, wiring	294177
		Socket, relay (2)	295034
		Spacer, socket (2)	295151
		Clamp, relay hold-down (2)	295189
		Relay (2)	295254
		Transformer	295287
		Harness, wiring	295391
Relay, synchronizing	297794		
Nut, captive (10)	298810		

Sync. Check Relays, Continued

KA-Accessory	Kit Number	Description	Part Number
34-DSH		Sync. Check Relay Normal to Emergency, 110-120 Volt	
		Terminal	X-367-1
		Screw, R.H.M. 6-32 (10)	X-49-26
		Spacer, fiber	X-712-2
		Connector, jack 6 position	241616
		Connector, plug 6 position	241617
		Harness, wiring	294176
		Harness, wiring	294177
		Socket, relay (2)	295034
		Spacer, socket (2)	295151
		Clamp, relay hold-down (2)	295189
		Relay (2)	295254
		Transformer	295284
		Harness, wiring	295391
		Relay, synchronizing	297790
Nut, captive (10)	298810		

In-Phase Monitors

KA-Accessory	Kit Number	Description	Part Number
34-ENB	PA-298794	In-Phase Monitor	
		Washer, plain (6)	X-25-9
		Screw, R.H.M. #6 x 9/16 (2)	X-49-15
		Screw, R.H.M. 6-32 x 3/8 (4)	X-49-2
		Monitor, In-Phase	295157
		Socket, relay	295034
		Clamp, relay hold-down	295189
		Relay	295254
		Harness, wiring	298793
Nut, captive (2)	298810		
34-ENC	PA-298795	In-Phase Monitor	
		Washer, plain (6)	X-25-9
		Screw, R.H.M. #6 x 9/16 (2)	X-49-15
		Screw, R.H.M. 6-32 x 3/8 (4)	X-49-2
		Monitor, In-Phase	295158
		Socket, relay	295034
		Clamp, relay hold-down	295189
		Relay	295254
		Harness, wiring	298793
Nut, captive (2)	298810		
34-END	PA-298796	In-Phase Monitor	
		Washer, plain (6)	X-25-9
		Screw, R.H.M. #6 x 9/16 (2)	X-49-15
		Screw, R.H.M. 6-32 x 3/8 (4)	X-49-2
		Monitor, In-Phase	295159
		Socket, relay	295034
		Clamp, relay hold-down	295189
		Relay	295254
		Harness, wiring	298793
Nut, captive (2)	298810		

In-Phase Monitors, Continued

KA-Accessory	Kit Number	Description	Part Number
34-ENE	PA-298797	In-Phase Monitor	
		Washer, plain (6)	X-25-9
		Screw, R.H.M. #6 x 9/16 (2)	X-49-15
		Screw, R.H.M. 6-32 x 3/8 (4)	X-49-2
		Monitor, In-Phase	295906
		Socket, relay	295034
		Clamp, relay hold-down	295189
		Relay	295254
		Harness, wiring	298793
Nut, captive (2)	298810		
34-ENF	PA-298798	In-Phase Monitor	
		Washer, plain (6)	X-25-9
		Screw, R.H.M. #6 x 9/16 (2)	X-49-15
		Screw, R.H.M. 6-32 x 3/8 (4)	X-49-2
		Monitor, In-Phase	295907
		Socket, relay	295034
		Clamp, relay hold-down	295189
		Relay	295254
		Harness, wiring	298793
Nut, captive (2)	298810		
34-ENG	PA-298799	In-Phase Monitor	
		Washer, plain (6)	X-25-9
		Screw, R.H.M. #6 x 9/16 (2)	X-49-15
		Screw, R.H.M. 6-32 x 3/8 (4)	X-49-2
		Monitor, In-Phase	295908
		Socket, relay	295034
		Clamp, relay hold-down	295189
		Relay	295254
		Harness, wiring	298793
Nut, captive (2)	298810		
34-ENH	PA-298800	In-Phase Monitor	
		Washer, plain (6)	X-25-9
		Screw, R.H.M. #6 x 9/16 (2)	X-49-15
		Screw, R.H.M. 6-32 x 3/8 (4)	X-49-2
		Monitor, In-Phase	295909
		Socket, relay	295034
		Clamp, relay hold-down	295189
		Relay	295254
		Harness, wiring	298793
Nut, captive (2)	298810		

In-Phase Monitors, Continued

KA-Accessory	Kit Number	Description	Part Number
34-ERB		In-Phase Monitor, 208 Volt, 60 Hz. Screw, R.H.M. #6 (4) Screw, R.H.M. 6-32 (4) Monitor, In-Phase Socket, relay (2) Clamp, relay hold-down (2) Relay Relay Harness, wiring Nut, captive (8)	X-49-15 X-49-2 294217 295034 295189 295254 295318 295391 298810
34-ERC		In-Phase Monitor, 240 Volt, 60 Hz. Screw, R.H.M. #6 (4) Screw, R.H.M. 6-32 (4) Monitor, In-Phase Socket, relay (2) Clamp, relay hold-down (2) Relay Relay Harness, wiring Nut, captive (8)	X-49-15 X-49-2 294218 295034 295189 295254 295318 295391 298810
34-ERD		In-Phase Monitor, 480 Volt, 60 Hz. Screw, R.H.M. #6 (4) Screw, R.H.M. 6-32 (4) Monitor, In-Phase Socket, relay (2) Clamp, relay hold-down (2) Relay Relay Harness, wiring Nut, captive (8)	X-49-15 X-49-2 294218 295034 295189 295254 295318 295391 298810
34-ERE		In-Phase Monitor, 220 Volt, 50 Hz. Screw, R.H.M. #6 (4) Screw, R.H.M. 6-32 (4) Monitor, In-Phase Socket, relay (2) Relay Relay Harness, wiring Nut, captive (8)	X-49-15 X-49-2 294223 295034 295254 295318 295391 298810
34-ERF		In-Phase Monitor, 380 Volt, 50 Hz. Screw, R.H.M. #6 (4) Screw, R.H.M. 6-32 (4) Monitor, In-Phase Socket, relay (2) Clamp, relay hold-down (2) Harness, wiring Nut, captive (8)	X-49-15 X-49-2 294220 295034 295189 295391 298810

In-Phase Monitors, Continued

KA-Accessory	Kit Number	Description	Part Number
34-ERG		In-Phase Monitor, 416 Volt 50 Hz.	
		Screw, R.H.M. #6 (4)	X-49-15
		Screw, R.H.M. 6-32 (4)	X-49-2
		Monitor, In-Phase	294221
		Socket, relay (2)	295034
		Clamp, relay hold-down (2)	295189
		Relay	295254
		Relay	295318
		Harness, wiring	295391
Nut, captive (8)	298810		
34-ERH		In-Phase Monitor, 440 Volt, 50 Hz.	
		Screw, R.H.M. #6 (4)	X-49-15
		Screw, R.H.M. 6-32 (4)	X-49-2
		Monitor, In-Phase	294222
		Socket, relay (2)	295034
		Clamp, relay hold-down (2)	295189
		Relay	295254
		Relay	295318
		Harness, wiring	295391
Nut, captive (8)	298810		
34-ESB		In-Phase Monitor, 208 Volt, 60 Hz.	
		Screw, R.H.M. #6 (2)	X-49-15
		Screw, R.H.M. 6-32 (4)	X-49-2
		Monitor, In-Phase	294217
		Socket, relay	295034
		Clamp, relay hold-down	295189
		Harness, wiring	295391
		Relay	295254
Nut, captive	298810		
34-ESC		In-Phase Monitor, 240 Volt, 60 Hz.	
		Screw, R.H.M. #6 (2)	X-49-15
		Screw, R.H.M. 6-32 (4)	X-49-2
		Monitor, In-Phase	294218
		Socket, relay	295034
		Clamp, relay hold-down	295189
		Relay	295254
		Harness, wiring	295391
Nut, captive (6)	298810		
34-ESD		In-Phase Monitor, 480 Volt, 60 Hz.	
		Screw, R.H.M. #6 (2)	X-49-15
		Screw, R.H.M. 6-32 (4)	X-49-2
		Monitor, In-Phase	294219
		Socket, relay	295034
		Clamp, relay hold-down	295189
		Relay	295254
		Harness, wiring	295391
Nut, captive (6)	298810		

In-Phase Monitors, Continued

KA-Accessory	Kit Number	Description	Part Number
34-ESE		In-Phase Monitor	
		Screw, R.H.M. #6 (2)	X-49-15
		Screw, R.H.M. 6-32 (4)	X-49-2
		Monitor, In-Phase	294223
		Socket, relay	295034
		Clamp, relay hold-down	295189
		Relay	295254
		Harness, wiring	295391
		Nut, captive (6)	298810
34-ESF		In-Phase Monitor, 220 Volt, 50 Hz.	
		Screw, R.H.M. #6 (2)	X-49-15
		Screw, R.H.M. 6-32 (4)	X-49-2
		Monitor, In-Phase	294220
		Socket, relay	295034
		Clamp, relay hold-down	295189
		Relay	295254
		Harness, wiring	295391
		Nut, captive (6)	298810
34-ESG		In-Phase Monitor, 416 Volt, 50 Hz.	
		Screw, R.H.M. #6 (2)	X-49-15
		Screw, R.H.M. 6-32 (4)	X-49-2
		Monitor, In-Phase	294221
		Socket, relay	295034
		Relay	295254
		Harness, wiring	295391
34-ESH		In-Phase Monitor, 440 Volt, 50 Hz.	
		Screw, R.H.M. #6 (2)	X-49-15
		Screw, R.H.M. 6-32 (4)	X-49-2
		Monitor, In-Phase	294222
		Socket, relay	295034
		Clamp, relay hold-down	295189
		Relay	295254
		Harness, wiring	295391
		Nut, captive (6)	298810

Load-Shed Contacts

KA-Accessory	Kit Number	Description	Part Number
35-B	295798	Load-Shed Contacts (Not serviceable-replace with Acc. 35-GE, 35-HE, or 35-JE.)	
35-GA	PA-297120	Load Shed Contacts (.6-60 Sec. Before), 110-120 V Harness, wiring Relay assy., load (Includes the following: Grommet, plastic (5) Jumper, two-terminal Strip, terminal Relay (DPDT) (2) Transformer Relay, time delay Bushing, plastic Bracket Nameplate Board assy., circuit (Includes the following: Clip, relay (2) Clip, relay	295391 A-297096 X-593-2 X-6073-2 293281 295253 295284 295320 297094 297095 297110 A-297080 269972 297836
35-GB	PA-297121	Load-Shed Contacts (.6-60 Sec. Before), 190-208V Harness, wiring Relay assy., load (Includes the following: Grommet, plastic (5) Jumper, two-terminal Strip, terminal Relay (DPDT) (2) Transformer Relay, time delay Bushing, plastic Bracket Nameplate Board assy., circuit (Includes the following: Clip, relay (2) Clip, relay	295391 A-297097 X-593-2 X-6073-2 293281 295253 295285 295320 297094 297095 297110 A-297080 269972 297836

Load-Shed Contacts, Continued

KA-Accessory	Kit Number	Description	Part Number
35-GC	PA-297122	Load-Shed Contacts (.6-60 Sec. Before), 220-240V Harness, wiring Relay assy., load (Includes the following: Grommet, plastic (5) Jumper, two-terminal Strip, terminal Relay (DPDT) (2) Transformer Relay, time delay Bushing, plastic Bracket Nameplate Board assy., circuit (Includes the foollowing: Clip, relay (2) Clip, relay	295391 A-297098 X-593-2 X-6073-2 293281 295253 295286 295320 297094 297095 297110 A-297080 269972 297836
35-GD	PA-297123	Load-Shed Contacts (.6-60 Sec. Before) Harness, wiring Relay assy., load (Includes the following: Grommet, plastic (5) Jumper, two-terminal Strip, terminal Relay (DPDT) (2) Transformer Relay, time delay Bushing, plastic Bracket Nameplate Board assy., circuit (Includes the following: Clip, relay (2) Clip, relay	295391 A-297099 X-593-2 X-6073-2 293281 295253 295291 295320 297094 297095 297110 A-297080 269972 297836

Load-Shed Contacts, Continued

KA-Accessory	Kit Number	Description	Part Number
35-GE	PA-297124	Load-Shed Contacts (.6-60 Sec. Before), 440-480V	
		Harness, wiring	295391
		Relay assy., load	A-297100
		(Includes the following:)	
		Grommet, plastic (5)	X-593-2
		Jumper, two-terminal	X-6073-2
		Strip, terminal	293281
		Relay (DPDT) (2)	295253
		Transformer	295293
		Relay, time delay	295320
		Bushing, plastic	297094
		Bracket	297095
		Nameplate	297110
		Board assy., circuit	A-297080
		(Includes the following:)	
Clip, relay (2)	269972		
Clip, relay	297836		
35-GF	PA-297125	Load Shed Contacts (.6-60 Sec. Before)	
		Harness, wiring	295391
		Relay assy., load	A-297101
		(Includes the following:)	
		Grommet, plastic (5)	X-593-2
		Jumper, two-terminal	X-6073-2
		Strip, terminal	293281
		Relay (DPDT) (2)	295253
		Transformer	295287
		Relay, time delay	295320
		Bushing, plastic	297094
		Bracket	297095
		Nameplate	297110
		Board assy., circuit	A-297080
		(Includes the following:)	
Clip, relay (2)	269972		
Clip, relay	297836		

Load-Shed Contacts, Continued

KA-Accessory	Kit Number	Description	Part Number
35-HA	297129	Load-Shed Contacts (.6-60 Sec. Before, .3 Sec. After), 110-120V Harness, wiring Relay assy., load (Includes the following:) <ul style="list-style-type: none"> Grommet, plastic (5) Jumper, two-terminal Strip, terminal Relay (DPDT) (2) Transformer Relay, time delay Bushing, plastic Bracket Nameplate Capacitor Clip, capacitor Board assy., circuit (Includes the following:) <ul style="list-style-type: none"> Clip, relay (2) Clip, relay 	295391 A-297103 X-593-2 X-6073-2 293281 295253 295284 295320 297094 297095 297110 297127 297128 A-297080 269972 297836
35-HB	PA-297130	Load-Shed Contacts (.6-60 Sec. Before, .3 Sec. After), 190-208V Harness, wiring Relay assy., load (Includes the following:) <ul style="list-style-type: none"> Grommet, plastic (5) Jumper, two-terminal Strip, terminal Relay (DPDT) (2) Transformer Relay, time delay Bushing, plastic Bracket Nameplate Capacitor Clip, capacitor Board assy., circuit (Includes the following:) <ul style="list-style-type: none"> Clip, relay (2) Clip, relay 	295391 A-297104 X-593-2 X-6073-2 293281 295253 295285 295320 297094 297095 297110 297127 297128 A-297080 269972 297836

Load-Shed Contacts, Continued

KA-Accessory	Kit Number	Description	Part Number
35-HC	PA-297131	Load-Shed Contacts (.6-60 Sec. Before, .3 Sec. After), 220-240V	
		Harness, wiring	295391
		Relay assy., load	A-297105
		(Includes the following:)	
		Grommet, plastic (5)	X-593-2
		Jumper, two-terminal	X-6073-2
		Strip, terminal	293281
		Relay (DPDT) (2)	295253
		Transformer	295286
		Relay, time delay	295320
		Bushing, plastic	297094
		Bracket	297095
		Nameplate	297110
		Capacitor	297127
		Clip, capacitor	297128
		Board assy., circuit	A-297080
(Includes the following:)			
Clip, relay (2)	269972		
Clip, relay	297836		
35-HD	PA-297132	Load-Shed Contacts (.6-60 Sec. Before, .3 Sec. After), 380-416V	
		Harness, wiring	295391
		Relay assy., load	A-297106
		(Includes the following:)	
		Grommet, plastic (5)	X-593-2
		Jumper, two-terminal	X-6073-2
		Strip, terminal	293281
		Relay (DPDT) (2)	295253
		Transformer	295291
		Relay, time delay	295320
		Bushing, plastic	297094
		Bracket	297095
		Nameplate	297110
		Capacitor	297127
		Clip, capacitor	297128
		Board assy., circuit	A-297080
(Includes the following:)			
Clip, relay (2)	269972		
Clip, relay	297836		

Load-Shed Contacts, Continued

KA-Accessory	Kit Number	Description	Part Number
35-HE	PA-297133	Load-Shed Contacts (.6-60 Sec. Before, .3 Sec. After), 440-480V	
		Harness, wiring	295391
		Relay assy., load	A-297107
		(Includes the following:)	
		Grommet, plastic (5)	X-593-2
		Jumper, two-terminal	X-6073-2
		Strip, terminal	293281
		Relay (DPDT) (2)	295253
		Transformer	295293
		Relay, time delay	295320
		Bushing, plastic	297094
		Bracket	297095
		Nameplate	297110
		Capacitor	297127
		Clip, capacitor	297128
		Board assy., circuit	A-297080
		(Includes the following:)	
		Clip, relay (2)	269972
		Clip, relay	297836
35-HF	PA-297134	Load Shed Contacts (.6-60 Sec. Before, .3 Sec. After), 550-600V	
		Harness, wiring	295391
		Relay assy., load	A-297126
		(Includes the following:)	
		Grommet, plastic (5)	X-593-2
		Jumper, two-terminal	X-6073-2
		Strip, terminal	293281
		Relay (DPDT) (2)	295253
		Transformer	295287
		Relay, time delay	295320
		Bushing, plastic	297094
		Bracket	297095
		Nameplate	297110
		Capacitor	297127
		Clip, capacitor	297128
		Board assy., circuit	A-297080
		(Includes the following:)	
		Clip, relay (2)	269972
		Clip, relay	297836

Load-Shed Contacts, Continued

KA-Accessory	Kit Number	Description	Part Number
35-JA	PA-297540	Load-Shed Contacts (.6-60 Sec. After), 110-120V	
		Harness, wiring	295391
		Relay assy., load (Includes:)	A-298333
		Grommet, plastic (5)	X-593-2
		Strip, terminal	293653
		Relay (DPDT) (2)	295253
		Transformer (2)	295284
		Relay, time delay	295320
		Bushing, plastic	297094
		Bracket	298319
		Decal, Accessory	298332
		Board assy., circuit (Includes the following:)	A-297724
		Clip, relay (2)	269972
Clip, relay	297836		
35-JB	PA-297541	Load-Shed Contacts (.6-60 Sec. After), 190-200V	
		Harness, wiring	295391
		Relay assy., load (Includes the following:)	A-298334
		Grommet, plastic (5)	X-593-2
		Strip, terminal	293653
		Relay (DPDT) (2)	295253
		Transformer (2)	295285
		Relay, time delay	295320
		Bushing, plastic	297094
		Bracket	298319
		Decal, Accessory	298332
		Board assy., circuit (Includes the following:)	A-297724
		Clip, relay (2)	269972
Clip, relay	297836		
35-JC	PA-297542	Load-Shed Contacts (.6-60 Sec. After), 220-240V	
		Harness, wiring	295391
		Relay assy., load (Includes the following:)	A-298335
		Grommet, plastic (5)	X-593-2
		Strip, terminal	293653
		Relay (DPDT) (2)	295253
		Transformer (2)	295286
		Relay, time delay	295320
		Bushing, plastic	297094
		Bracket	298319
		Decal, Accessory	298332
		Board assy., circuit (Includes the following:)	A-297724
		Clip, relay (2)	269972
Clip, relay	297836		

Load-Shed Contacts, Continued

KA-Accessory	Kit Number	Description	Part Number
35-JD	PA-297543	Load-Shed Contacts (.6-60 Sec. After), 380-416V Harness, wiring Relay assy., load (Includes the following: Grommet, plastic (5) Strip, terminal Relay (DPDT) (2) Transformer Relay, time delay Bushing, plastic Bracket Decal, Accessory Board assy., circuit (Includes the following: Clip, relay (2) Clip, relay	295391 A-298336 X-593-2 293653 295253 295291 295320 297094 298319 298332 A-297724 269972 297836
35-JE	PA-297544	Load-Shed Contacts (.6-60 Sec. After), 440-480V Harness, wiring Relay assy., load (Includes the following: Grommet, plastic (5) Strip, terminal Relay (DPDT) (2) Transformer (2) Relay, time delay Bushing, plastic Bracket Decal, Accessory Board assy., circuit (Includes the following: Clip, relay (2) Clip, relay	295391 A-298337 X-593-2 293653 295253 295293 295320 297094 298319 298332 A-297724 269972 297836
35-JF	297545	Load-Shed Contacts (.6-60 Sec. After), 575-600V Harness, wiring Relay assy., load (Includes the following: Grommet, plastic (5) Strip, terminal Relay (DPDT) (2) Transformer (2) Relay, time delay Bushing, plastic Bracket Decal, Accessory Board assy., circuit (Includes the following: Clip, relay (2) Clip, relay	295391 A-298338 X-593-2 293653 295253 295287 295320 297094 298319 298332 A-297724 269972 297836

Load-Shed Contacts, Continued

KA-Accessory	Kit Number	Description	Part Number
35-KA	298411	Load-Shed Contacts (.3-30 Sec Before, 3-300 After), 110-120V	
		Relay assy., load	A-294756
		(Includes the following:)	
		PCB Assy, ATS load shed	A-297724
		Washer, lock #8 (5)	X-22-7
		Tie, cable (2)	X-468-2
		Screw, R.H.M., #6 x 9/16 (2)	X-49-15
		Screw, R.H.M., 8-32 x 1-1/2 (5)	X-51-2
		Screw, R.H.M., 8-32 x 7/8 (4)	X-51-5
		Grommet, plastic (5)	X-593-2
		Strip, terminal	293653
		Relay (2)	295253
		Transformer (2)	295284
		Bushing	297094
		Relay, time delay	297906
		Bracket	298319
		Decal	298332
Screw, R.H.M. 6-32 (4)	X-49-2		
Harness, wiring	295391		
Nut, captive (4)	298810		
35-KB	298412	Load-Shed Contacts (.3-30 Sec Before, 3-300 After), 190-208V	
		Relay assy., load	A-294755
		(Includes the following:)	
		PCB Assy, ATS load shed	A-297724
		Washer, lock #8 (5)	X-22-7
		Tie, cable (2)	X-468-2
		Screw, R.H.M., #6 x 9/16 (2)	X-49-15
		Screw, R.H.M., 8-32 x 1-1/2 (5)	X-51-2
		Screw, R.H.M., 8-32 x 7/8 (4)	X-51-5
		Grommet, plastic (5)	X-593-2
		Strip, terminal	293653
		Relay (2)	295253
		Transformer (2)	295285
		Bushing	297094
		Relay, time delay	297906
		Bracket	298319
		Decal	298332
Screw, R.H.M. 6-32 (4)	X-49-2		
Harness, wiring	295391		
Nut, captive (4)	298810		

Load-Shed Contacts, Continued

KA-Accessory	Kit Number	Description	Part Number
35-KC	298413	Load-Shed Contacts (.3-30 Sec Before, 3-300 After), 220-240V Relay assy., load (Includes the following:) PCB Assy, ATS load shed Washer, lock #8 (5) Tie, cable (2) Screw, R.H.M., #6 x 9/16 (2) Screw, R.H.M., 8-32 x 1-1/2 (5) Screw, R.H.M., 8-32 x 7/8 (4) Grommet, plastic (5) Strip, terminal Relay (2) Transformer (2) Bushing Relay, time delay Bracket Decal Screw, R.H.M. 6-32 (4) Harness, wiring Harness, wiring Nut, captive (4)	A-294754 A-297724 X-22-7 X-468-2 X-49-15 X-51-2 X-51-5 X-593-2 293653 295253 295286 297094 297906 298319 298332 X-49-2 295134 295391 298810
35-KD	298414	Load-Shed Contacts (.3-30 Sec Before, 3-300 After), 380-416V Relay assy., load (Includes the following:) PCB Assy, ATS load shed Washer, lock #8 (5) Tie, cable (2) Screw, R.H.M., #6 x 9/16 (2) Screw, R.H.M., 8-32 x 1-1/2 (5) Screw, R.H.M., 8-32 x 7/8 (4) Grommet, plastic (5) Strip, terminal Relay (2) Transformer (2) Bushing Relay, time delay Bracket Decal Screw, R.H.M. 6-32 (4) Harness, wiring Harness, wiring Nut, captive (4)	A-294753 A-297724 X-22-7 X-468-2 X-49-15 X-51-2 X-51-5 X-593-2 293653 295253 295291 297094 297906 298319 298332 X-49-2 295134 295391 298810

Load-Shed Contacts, Continued

KA-Accessory	Kit Number	Description	Part Number
35-KE	PA-298415	Load-Shed Contacts (.3-30 Sec Before, 3-300 After), 440-480V	
		Relay assy., load	A-294647
		(Includes the following:)	
		PCB Assy, ATS load shed	A-297724
		Washer, lock #8 (5)	X-22-7
		Tie, cable (2)	X-468-2
		Screw, R.H.M., #6 x 9/16 (2)	X-49-15
		Screw, R.H.M., 8-32 x 1-1/2 (5)	X-51-2
		Screw, R.H.M., 8-32 x 7/8 (4)	X-51-5
		Grommet, plastic (5)	X-593-2
		Strip, terminal	293653
		Relay (2)	295253
		Transformer (2)	295293
		Bushing	297094
		Relay, time delay	297906
		Bracket	298319
		Decal	298332
		Screw, R.H.M. 6-32 (4)	X-49-2
		Harness, wiring	295134
Harness, wiring	295391		
Nut, captive (4)	298810		
35-KF		Load-Shed Contacts (.3-300 Sec. After), 575-600V	
		Relay assy., load	A-294752
		(Includes the following:)	
		PCB Assy, ATS load shed	A-297724
		Washer, lock #8 (5)	X-22-7
		Tie, cable (2)	X-468-2
		Screw, R.H.M., #6 x 9/16 (2)	X-49-15
		Screw, R.H.M., 8-32 x 1-1/2 (5)	X-51-2
		Screw, R.H.M., 8-32 x 7/8 (4)	X-51-5
		Grommet, plastic (5)	X-593-2
		Strip, terminal	293653
		Relay (2)	295253
		Transformer (2)	295287
		Bushing	297094
		Relay, time delay	297906
		Bracket	298319
		Decal	298332
		Screw, R.H.M. 6-32 (4)	X-49-2
		Harness, wiring	295134
Harness, wiring	295391		
Nut, captive (4)	298810		

Load-Shed Contacts, Continued

KA-Accessory	Kit Number	Description	Part Number
35-LA	298417	Load-Shed Contacts (3-300 Sec. Before Both Directions), 110-120V Harness, wiring Relay assy., load shed (Includes the following:) <ul style="list-style-type: none"> Grommet, plastic (5) Jumper, two-terminal Strip, terminal Relay (2) Transformer Bushing, plastic Bracket Nameplate Relay, time delay Board assy., circuit (Includes the following:) <ul style="list-style-type: none"> Clip, relay (2) Clip, relay 	295391 A-297907 X-593-2 X-6073-2 293281 295253 295284 297094 297095 297110 297906 A-297080 269972 297836
35-LB	298417	Load-Shed Contacts (3-300 Sec. Before Both Directions), 190-208V Harness, wiring Relay assy., load shed (Includes the following:) <ul style="list-style-type: none"> Grommet, plastic (5) Jumper, two-terminal Strip, terminal Relay (2) Transformer Bushing, plastic Bracket Nameplate Relay, time delay Board assy., circuit (Includes the following:) <ul style="list-style-type: none"> Clip, relay (2) Clip, relay 	295391 A-297908 X-593-2 X-6073-2 293281 295253 295285 297094 297095 297110 297906 A-297080 269972 297836

Load-Shed Contacts, Continued

KA-Accessory	Kit Number	Description	Part Number
35-LC	298419	Load-Shed Contacts (3-300 Sec. Before Both Directions), 220-240V	
		Harness, wiring	295391
		Relay assy., load shed (Includes the following:)	A-297927
		Grommet, plastic (5)	X-593-2
		Jumper, two-terminal	X-6073-2
		Strip, terminal	293281
		Relay (2)	295253
		Transformer	295286
		Bushing, plastic	297094
		Bracket	297095
		Nameplate	297110
		Relay, time delay	297906
		Board assy., circuit (Includes the following:)	A-297080
		Clip, relay (2)	269972
		Clip, relay	297836
35-LD	298420	Load-Shed Contacts (3-300 Sec. Before Both Directions), 380-416V	
		Harness, wiring	295391
		Relay assy., load shed (Includes the following:)	A-297910
		Grommet, plastic (5)	X-593-2
		Jumper, two-terminal	X-6073-2
		Strip, terminal	293281
		Relay (2)	295253
		Transformer	295291
		Bushing, plastic	297094
		Bracket	297095
		Nameplate	297110
		Relay, time delay	297906
		Board assy., circuit (Includes the following:)	A-297080
		Clip, relay (2)	269972
		Clip, relay	297836

Load-Shed Contacts, Continued

KA-Accessory	Kit Number	Description	Part Number
35-LE	298421	Load-Shed Contacts (3-300 Sec. Before Both Directions), 440-480V	
		Harness, wiring	295391
		Relay assy., load shed	A-297911
		(Includes the following:)	
		Grommet, plastic (5)	X-593-2
		Jumper, two-terminal	X-6073-2
		Strip, terminal	293281
		Relay (2)	295253
		Transformer	295293
		Bushing, plastic	297094
		Bracket	297095
		Nameplate	297110
		Relay, time delay	297906
		Board assy., circuit	A-297080
		(Includes the following:)	
		Clip, relay (2)	269972
		Clip, relay	297836
35-LF	298416	Load-Shed Contacts (3-300 Sec. Before Both Directions), 550-600V	
		Harness, wiring	295391
		Relay assy., load shed	A-297912
		(Includes the following:)	
		Grommet, plastic (5)	X-593-2
		Jumper, two-terminal	X-6073-2
		Strip, terminal	293281
		Relay (2)	295253
		Transformer	295287
		Bushing, plastic	297094
		Bracket	297095
		Nameplate	297110
		Relay, time delay	297906
35-MA	PA-298786	Load-Shed Contacts (.3-30 Sec. Before & After), 110-120V	
		Relay assy., load shed	A-297096
		Relay assy., load shed	A-298333
		Screw, R.H.M. 6-32 (8)	X-49-2
		Harness, wiring	295134
		Harness, wiring	295391
		Nut, captive (8)	298810
35-MB	PA-298787	Load-Shed Contacts (.3-30 Sec. Before & After), 190-208V	
		Relay assy., load shed	A-297097
		Relay assy., load shed	A-298334
		Screw, R.H.M. 6-32 (8)	X-49-2
		Harness, wiring	295134
		Harness, wiring	295391
		Nut, captive (8)	298810

Load-Shed Contacts, Continued

KA-Accessory	Kit Number	Description	Part Number
35-MC	PA-298788	Load-Shed Contacts (.3-30 Sec. Before & After), 220-240V	
		Relay assy., load shed	A-297098
		Relay assy., load shed	A-298335
		Screw, R.H.M. 6-32 (8)	X-49-2
		Harness, wiring	295134
35-MD	PA-298789	Nut, captive (8)	298810
		Load-Shed Contacts (.3-30 Sec. Before & After), 280-416V	
		Relay assy., load shed	A-297099
		Relay assy., load shed	A-298336
		Screw, R.H.M. 6-32 (8)	X-49-2
35-ME	PA-298790	Harness, wiring	295391
		Nut, captive (8)	298810
		Load-Shed Contacts (.3-30 Sec. Before & After), 440-480V	
		Relay assy., load shed	A-297100
		Relay assy., load shed	A-298337
35-MF	PA-298791	Screw, R.H.M. 6-32 (8)	X-49-2
		Harness, wiring	295391
		Nut, captive (8)	298810
		Load-Shed Contacts (.3-30 Sec. Before & After), 575-600V	
		Relay assy., load shed	A-297101

Wire Harness Kits

KA-Accessory	Kit Number	Description	Part Number
37-A	PA-295771	5 Ft. Wire Harness	
		Conduit, plastic	X-6003-50
		Connector, plug	295145
37-B	PA-295772	Connector, receptacle	295262
		10 Ft. Wire Harness	
		Conduit, plastic	X-6003-38
37-C	PA-295773	Connector, plug	295145
		Connector, receptacle	295262
		20 Ft. Wire Harness	

Lightning Surge Protection Kits

KA-Accessory	Kit Number	Description	Part Number
38-AA		Lightning Surge Protection, 70-104 Amp. Washer, lock shakeproof Washer, shakeproof (2) Washer, E.T. #10 (2) Washer, plain Screw, self-tapping (4) Screw, H.C. slotted Screw, hex. head machine (2) Bracket, mounting Block, terminal Arrestor, lightning Label Bracket Block, distribution Lead (4) Bolt, carriage (2) Clip, cable (2) Washer, reducing (2)	X-22-9 X-22-20 X-22-22 X-25-79 X-67-77 X-97-11 X-97-13 294509 294510 294511 294512 294527 294528 294535 295008 299096 320318
38-AB		Lightning Surge Protection, 150 Amp. Washer, shakeproof (2) Washer, E.T. #10 (2) Washer, lock shakeproof Washer, plain Screw, self tapping (8) Screw, H.C. slotted Screw, hex. head machine (2) Bracket, mounting Block, terminal Arrestor, lightning Label Bracket Block, distribution (2) Lead (4) Bolt, carriage (2) Clip, cable (2) Washer, reducing (2)	X-22-20 X-22-22 X-22-9 X-25-79 X-67-124 X-97-11 X-97-13 294509 294510 294511 294512 294527 294529 294536 295008 299096 320318

Lightning Surge Protection Kits, Continued

KA-Accessory	Kit Number	Description	Part Number
38-AC		Lightning Surge Protection, 225-4000 Amp.	
		Washer, shakeproof (2)	X-22-20
		Washer, E.T. #10 (2)	X-22-22
		Washer, lock shakeproof	X-22-9
		Washer, plain	X-25-79
		Tie (Expense), cable (8)	X-468-2
		Screw, hex washer (2)	X-791-2
		Nut (4)	X-83-6
		Screw, H.C. slotted	X-97-11
		Screw, hex. head machine (2)	X-97-13
		Bracket, mounting	294509
		Block, terminal	294510
		Arrestor, lightning	294511
		Label	294512
		Clip, cable (8)	299096
Washer, reducing (2)	320318		
38-AD		Lightning Surge Protection, 30 Amp. without Suppressor	
		Washer, shakeproof (2)	X-22-20
		Washer, E.T. #10 (2)	X-22-22
		Washer, lock shakeproof	X-22-9
		Washer, plain	X-25-79
		Screw, self-tapping (4)	X-67-77
		Screw, H.C., slotted	X-97-11
		Screw, hex. head machine (2)	X-97-13
		Bracket, mounting	294509
		Block, terminal	294510
		Arrestor, lightning	294511
		Label	294512
		Bracket	294527
		Block, distribution	294528
		Bolt, carriage (2)	295008
Clip, cable (2)	299096		
Washer, reducing (2)	320318		

Lightning Surge Protection Kits, Continued

KA-Accessory	Kit Number	Description	Part Number
38-BA		Lightning Surge Protection, 70-104 Amp. with Diode	
		Washer, shakeproof (2)	X-22-20
		Washer, E.T. #10 (2)	X-22-22
		Washer, lock shakeproof	X-22-9
		Washer, plain	X-25-79
		Screw, self-tapping	X-67-64
		Screw, self-tapping (4)	X-67-77
		Screw, H.C. slotted	X-97-11
		Screw, hex. head machine (2)	X-97-13
		Bracket, mounting	294509
		Block, terminal	294510
		Suppressor assembly	294560
		Arrestor, lightning	294511
		Label	294512
		Bracket	294527
		Block, distribution	294528
		Suppressor assembly	294560
		Bolt, carriage (2)	295008
		Clip, cable (2)	299096
		Washer, reducing (2)	320318
38-BB		Lightning Surge Protection, 150 Amp. with Diode	
		Washer, shakeproof (2)	X-22-20
		Washer, E.T. #10 (2)	X-22-22
		Washer, lock shakeproof	X-22-9
		Washer, plain	X-25-79
		Screw, self-tapping	X-67-64
		Screw, self-tapping (8)	X-67-124
		Screw, H.C. slotted	X-97-11
		Screw, hex. head machine (2)	X-97-13
		Bracket, mounting	294509
		Block, terminal	294510
		Arrestor, lightning	294511
		Label	294512
		Bracket	294527
		Block, distribution (2)	294529
		Suppressor assembly	294560
		Bolt, carriage (2)	295008
		Clip, cable (2)	299096
		Washer, reducing (2)	320318

Lightning Surge Protection Kits, Continued

KA-Accessory	Kit Number	Description	Part Number
38-BC		Lightning Surge Protection, 225-4000 Amp. with Diode	
		Washer, shakeproof (2)	X-22-20
		Washer, E.T. #10 (2)	X-22-22
		Washer, lock shakeproof	X-22-9
		Washer, plain	X-25-79
		Tie (expense), cable (8)	X-468-2
		Screw, self-tapping	X-67-64
		Screw, hex washer (2)	X-791-2
		Screw, H.C. slotted	X-97-11
		Nut, hex (4)	X-83-6
		Screw, hex. head machine (2)	X-97-13
		Bracket, mounting	294509
		Block, terminal	294510
		Arrestor, lightning	294511
		Label	294512
		Suppressor assembly	294560
		Clip, cable (8)	299096
Washer, reducing (2)	320318		
38-BD		Lightning Surge Protection, 30 Amp. with Suppressor	
		Washer, shakeproof (2)	X-22-20
		Washer, E.T. #10 (2)	X-22-22
		Washer, lock shakeproof	X-22-9
		Washer, plain	X-25-79
		Screw, self-tapping	X-67-64
		Screw, self-tapping (4)	X-67-77
		Screw, H.C. slotted	X-97-11
		Screw, hex. head machine (2)	X-97-13
		Bracket, mounting	294509
		Block, terminal	294510
		Arrestor, lightning	294511
		Label	294512
		Bracket	294527
		Block, distribution	294528
		Suppressor assembly	294560
		Bolt, carriage (2)	295008
Clip, cable (2)	299096		
Washer, reducing (2)	320318		

Heater Kits

KD-Accessory	Kit Number	Description	Part Number
39-AA1	297010	Strip Heater Kit (without Thermostat), 110-120V, 30-150 Amp.	
		Insulator, panel (2)	233269
		Holder, fuse (without cap)	239050
		Fuse and cap (6 Amp.)	239179
		Heater, strip	295936
		Strip, heat	297039

Heater Kits, Continued

KA-Accessory	Kit Number	Description	Part Number
39-AA2	297015	Strip Heater Kit (without Thermostat), 110-120V, 225-400 Amp.	
		Insulator, panel (2)	233269
		Holder, fuse (without cap) (2)	239050
		Fuse and cap (6 Amp.)	239179
		Heater, strip	295938
		Strip, heat	297039
39-AA3	297020	Strip Heater Kit (without Thermostat), 110-120V, 600-800 Amp.	
		Insulator, panel (2)	233269
		Holder, fuse (without cap)	239050
		Fuse and cap (6 Amp.)	239179
		Heater, strip	295939
		Strip, heat	297039
39-AB1	297011	Strip Heater Kit (without Thermostat), 190-208V, 30-150 Amp.	
		Insulator, panel (2)	233269
		Holder, fuse (without cap)	239050
		Fuse and cap (6 Amp.)	239179
		Sink, heat	295039
		Heater, strip	297061
39-AB2	297016	Strip Heater Kit (without Thermostat), 190-208V, 225-400 Amp.	
		Insulator, panel (2)	233269
		Holder, fuse (without cap) (2)	239050
		Fuse and cap (6 Amp.) (2)	239179
		Sink, heat	295039
		Heater, strip	297062
39-AB3	297021	Strip Heater Kit (without Thermostat), 190-208V, 600-800 Amp.	
		Insulator, panel (2)	233269
		Holder, fuse (without cap)	239050
		Fuse and cap (6 Amp.)	239179
		Sink, heat	295039
		Heater, strip	297063
39-AC1	297023	Strip Heater Kit (without Thermostat), 220-240V, 30-150 Amp.	
		Insulator, panel (2)	233269
		Holder, fuse (without cap)	239050
		Fuse and cap (6 Amp.)	239179
		Sink, heat	295039
		Heater, strip	297040
39-AC2	297017	Strip Heater Kit (without Thermostat), 220-240V, 225-400 Amp.	
		Insulator, panel (2)	233269
		Holder, fuse (without cap) (2)	239050
		Fuse and cap (6 Amp.) (2)	239179
		Heater, strip	295937
		Sink, heat	295039

Heater Kits, Continued

KA-Accessory	Kit Number	Description	Part Number
39-AC3	297022	Strip Heater Kit (without Thermostat), 220-240V, 600-800 Amp.	
		Insulator, panel (2)	233269
		Holder, fuse (without cap)	239050
		Fuse and cap (6 Amp.)	239179
		Heater, strip	297047
		Sink, heat	295039
39-AD1	297013	Strip Heater Kit (without Thermostat), 380-416V, 30-150 Amp.	
		Insulator, panel (2)	233269
		Holder, fuse (without cap)	239050
		Fuse and cap (6 Amp.)	239179
		Heater, strip	295938
		Sink, heat	297039
		Transformer	297048
39-AD2	297018	Strip Heater Kit (without Thermostat), 380-416V, 225-400 Amp.	
		Insulator, panel (2)	233269
		Holder, fuse (without cap)	239050
		Fuse and cap (6 Amp.)	239179
		Heater, strip	295939
		Sink, heat	297039
		Transformer	297048
39-AD3	297024	Strip Heater Kit (without Thermostat), 380-480V, 600-800 Amp.	
		Insulator, panel (2)	233269
		Holder, fuse (without cap)	239050
		Fuse and cap (6 Amp.)	239179
		Heater, strip	295939
		Sink, heat	297039
		Transformer	297048
39-AE1	297014	Strip Heater Kit (without Thermostat), 440-480V, 30-150 Amp.	
		Insulator, panel (2)	233269
		Holder, fuse (without cap)	239050
		Fuse and cap (6 Amp.)	239179
		Heater, strip	295936
		Sink, heat	297039
		Transformer	297048
39-AE2	297019	Strip Heater Kit (without Thermostat), 440-480V, 225-400 Amp.	
		Insulator, panel (2)	233269
		Holder, fuse (without cap)	239050
		Fuse and cap (6 Amp.)	239179
		Heater, strip	295938
		Sink, heat	297039
		Transformer	297048

Heater Kits, Continued

KA-Accessory	Kit Number	Description	Part Number
39-AF1	297325	Strip Heater Kit (without Thermostat), 550-600V, 30-150 Amp. Insulator, panel (2) Holder, fuse (without cap) Fuse and cap (6 Amp.) Heater, strip Sink, heat Transformer	233269 239050 239179 295936 297039 297331
39-AF2	297326	Strip Heater Kit (without Thermostat), 550-600V, 225-400 Amp. Insulator, panel (2) Holder, fuse (without cap) Fuse and cap (6 Amp.) Heater, strip Sink, heat Transformer	233269 239050 239179 295938 297039 297331
39-AF3	297327	Strip Heater Kit (without Thermostat), 550-600V, 600-800 Amp. Insulator, panel (2) Holder, fuse (without cap) Fuse and cap (6 Amp.) Heater, strip Sink, heat Transformer	233269 239050 239179 295939 297039 297331
39-BA1	297025	Strip Heater Kit (with Thermostat), 110-120V, 30-150 Amp. Insulator, panel (2) Holder, fuse (without cap) Fuse and cap (6 Amp.) Heater, strip Thermostat Sink, heat	233269 239050 239179 295936 295940 297039
39-BA2	297030	Strip Heater Kit (with Thermostat), 110-120V, 30-150 Amp. Insulator, panel (2) Holder, fuse (without cap) (2) Fuse and cap (6 Amp.) (2) Heater, strip Thermostat Sink, heat	233269 239050 239179 295938 295940 297039
39-BA3	297035	Strip Heater Kit (with Thermostat), 110-120V, 600-800 Amp. Insulator, panel (2) Holder, fuse (without cap) Fuse and cap (6 Amp.) Heater, strip Thermostat Sink, heat	233269 239050 239179 295939 295940 297039

Heater Kits, Continued

KA-Accessory	Kit Number	Description	Part Number
39-BB1	297026	Strip Heater Kit (with Thermostat), 190-208V, 30-150 Amp.	
		Insulator, panel (2)	233269
		Holder, fuse (without cap)	239050
		Fuse and cap (6 Amp.)	239179
		Thermostat	295940
		Sink, heat	297039
39-BB2	297031	Strip Heater Kit (with Thermostat), 190-208V, 225-400 Amp.	
		Insulator, panel (2)	233269
		Holder, fuse (without cap) (2)	239050
		Fuse and cap (6 Amp.) (2)	239179
		Thermostat	295940
		Sink, heat	297039
39-BB3	297036	Strip Heater Kit (with Thermostat), 190-208V, 600-800 Amp.	
		Insulator, panel (2)	233269
		Holder, fuse (without cap)	239050
		Fuse and cap (6 Amp.)	239179
		Thermostat	295940
		Sink, heat	297039
39-BC1	297027	Strip Heater Kit (with Thermostat), 220-240V, 30-150 Amp.	
		Insulator, panel (2)	233269
		Holder, fuse (without cap)	239050
		Fuse and cap (6 Amp.)	239179
		Thermostat	295940
		Sink, heat	297039
39-BC2	297032	Strip Heater Kit (with Thermostat), 220-240V, 225-400 Amp.	
		Insulator, panel (2)	233269
		Holder, fuse (without cap) (2)	239050
		Fuse and cap (6 Amp.) (2)	239179
		Thermostat	295940
		Sink, heat	297039
39-BC3	297037	Strip Heater Kit (with Thermostat), 220-240V, 600-800 Amp.	
		Insulator, panel (2)	233269
		Holder, fuse (without cap) (2)	239050
		Fuse and cap (6 Amp.)	239179
		Thermostat	295940
		Sink, heat	297039
		Heater, strip	297047

Heater Kits, Continued

KA-Accessory	Kit Number	Description	Part Number
39-BD1	297028	Strip Heater Kit (with Thermostat), 380-416V, 30-150 Amp. Insulator, panel (2) Holder, fuse (without cap) Fuse and cap (6 Amp.) Thermostat Sink, heat Heater, strip Transformer	233269 239050 239179 295940 297039 295938 297048
39-BD2	297033	Strip Heater Kit (with Thermostat), 380-416V, 225-400 Amp. Insulator, panel (2) Holder, fuse (without cap) Fuse and cap (6 Amp.) Thermostat Sink, heat Heater, strip Transformer	233269 239050 239179 295940 297039 295939 297048
39-BD3	297038	Strip Heater Kit (with Thermostat), 380-416V, 600-800 Amp. Insulator, panel (2) Holder, fuse (without cap) Fuse and cap (6 Amp.) Thermostat Sink, heat Heater, strip Transformer	233269 239050 239179 295940 297039 295939 297048
39-BE1	297029	Strip Heater Kit (with Thermostat), 440-480V, 30-150 Amp. Insulator, panel (2) Holder, fuse (without cap) Fuse and cap (6 Amp.) Heater, strip Thermostat Sink, heat Transformer	233269 239050 239179 295936 295940 297039 297048
39-BE2	297034	Strip Heater Kit (with Thermostat), 440-480V, 225-400 Amp. Insulator, panel (2) Holder, fuse (without cap) Fuse and cap (6 Amp.) Heater, strip Thermostat Sink, heat Transformer	233269 239050 239179 295938 295940 297039 297048

Heater Kits, Continued

KA-Accessory	Kit Number	Description	Part Number
39-BE3	297038	Strip Heater Kit (with Thermostat), 380-480V, 600-800 Amp.	
		Insulator, panel (2)	233269
		Holder, fuse (without cap)	239050
		Fuse and cap (6 Amp.)	239179
		Heater, strip	295939
		Thermostat	295940
		Sink, heat	297039
		Transformer	297048
39-BE4	298964	Strip Heater Kit (with Thermostat)	
		Block, terminal	X-405-2
		Block, fuse	X-6129-2
		Fuse 600 V., 15 A.	X-6135-4
		Insulator, panel	233269
		Heater, strip (2)	295938
		Thermostat	295940
		Sink, heat (2)	297039
Transformer	297048		
39-BF1	297328	Strip Heater Kit (with Thermostat), 550-600V, 30-150 Amp.	
		Insulator, panel (2)	233269
		Holder, fuse (without cap)	239050
		Fuse and cap (6 Amp.)	239179
		Heater, strip	295936
		Thermostat	295940
		Sink, heat	297039
Transformer	297331		
39-BF2	297329	Strip Heater Kit (with Thermostat), 550-600V, 225-400 Amp.	
		Insulator, panel (2)	233269
		Holder, fuse (without cap)	239050
		Fuse and cap (6 Amp.)	239179
		Heater, strip	295938
		Thermostat	295940
		Sink, heat	297039
Transformer	297331		
39-BF3	297330	Strip Heater Kit (with Thermostat), 550-600V, 600-800 Amp.	
		Insulator, panel (2)	233269
		Holder, fuse (without cap)	239050
		Fuse and cap (6 Amp.)	239179
		Heater, strip	295939
		Thermostat	295940
		Sink, heat	297039
Transformer	297331		

Handle, External Manual Operating Kits

KA-Accessory	Kit Number	Description	Part Number
40-A1	297346	Handle, External Manual Operating, 30-150 Amp.	
		Bushing, nylon	X-634-5
		Ring, lock	151511
		Switch, toggle	238357
		Plate, base	297320
		Kit, external handle	297321
		Decal	297348
40-A2	297253	Handle, External Manual Operating, 150 Amp.	
		Bushing, nylon	X-634-5
		Ring, lock	151511
		Switch, toggle	238357
		Plate, base	297320
		Kit, external handle	297252
		Decal	297348
40-B		Handle, External Manual Operating, 225-260 Amp.	
		(Consult Factory)	
40-C		Handle, External Manual Operating, 400 Amp.	
		(Consult Factory)	
40-D	PA-297265	Pedestal Mounting Feet, 30-150 Amp., Nema Type 1	
		Screw (expense), H.C. (6)	X-125-3
		Washer (expense), plain (12)	X-25-85
		Nut (expense), whiz (6)	X-6210-7
		Bracket, mounting (2)	297359
	PA-297266	Pedestal Mounting Feet, 30-150 Amp., Nema Type 3R	
		Screw (expense) H.C. (6)	X-125-3
		Washer (expense) plain (12)	X-25-85
		Nut (expense) whiz (6)	X-6210-7
		Bracket, mounting (2)	297256
	PA-297267	Pedestal Mounting Feet, 225-400 Amp., Nema Type 1	
		Screw (expense), H.C. (6)	X-125-3
		Washer (expense), plain (12)	X-25-85
		Nut (expense), whiz (6)	X-6210-7
		Bracket, mounting (2)	297260
	PA-297268	Pedestal Mounting Feet, 225-400 Amp., Nema Type 3R	
		Screw (expense) H.C. (6)	X-125-3
		Washer (expense) plain (12)	X-25-85
		Nut (expense) whiz (6)	X-6210-7
		Bracket, mounting (2)	297259
	PA-297269	Pedestal Mounting Feet, 600-800 Amp., Nema Type 1	
		Screw (expense), H.C. (6)	X-125-3
		Washer (expense), plain (12)	X-25-85
		Nut (expense), whiz (6)	X-6210-7
		Bracket, mounting (2)	297263
	PA-297270	Pedestal Mounting Feet, 600-800 Amp., Nema Type 3R	
		Screw (expense), H.C. (6)	X-125-3
		Washer (expense), plain (12)	X-25-85
		Nut (expense), whiz (6)	X-6210-7
		Bracket, mounting (2)	297262

Handle, External Manual Operating Kits, Continued

KA-Accessory	Kit Number	Description	Part Number
40-E		Handle, External Manual Operating (Consult Factory)	
40-F		Handle, External Manual Operating (Consult Factory)	

Dead Buss Relays

KA-Accessory	Kit Number	Description	Part Number
54-AA	297822	Dead Buss Relay, 110-120 Volt	
		Conduit, plastic	X-6003-36
		Transformer assy.	A-295048
		(Includes the following:)	
		Bracket, transformer	295020
		Decal, part no.	295064
		Transformer (2)	295280
		Transformer (4)	295284
		Decal, nine-terminal block	295306
		Decal, six-terminal block	295307
		Block, nine-terminal	295313
		Block, six-terminal	295314
		Cover, terminal strip	295925
		Relay assy. (Includes the following:)	A-295987
		Socket, relay (5)	295034
		Clamp, relay hold-down (5)	295189
		Relay (DPDT) (3)	295253
		Relay (DPDT) (2)	295254
		Cover, terminal strip	295925
		Block, 16-terminal	295988
		Block, eight-terminal	295266
Bracket, mounting	295989		
Insulator, plate	295990		
Nameplate, (NC, NA,...)	295991		
Nameplate (B5, B5,...)	295992		
Nameplate, Line Potential Caution	295993		
Capacitor	297071		
54-AB	297823	Dead Buss Relay, 190-208 Volt	
		Conduit, plastic	X-6003-36
		Transformer assy.	A-295044
		(Includes the following:)	
		Bracket, transformer	295020
		Decal, part no.	295060
		Transformer (2)	295281
		Transformer (4)	295285
		Decal, nine-terminal block	295306
		Decal, six-terminal block	295307
		Block, nine-terminal	295313
		Block, six-terminal	295314
		Cover, terminal strip	295925
		Relay assy.	A-295987
		(See 54-AA for components)	

Dead Buss Relays, Continued

KA-Accessory	Kit Number	Description	Part Number
54-AC	297824	Dead Buss Relay, 220-240 Volt Conduit, plastic Transformer assy. (Includes the following:) Bracket, transformer Decal, part no. Transformer (2) Transformer (4) Decal, nine-terminal block Decal, six-terminal block Block, nine-terminal Block, six-terminal Cover, terminal strip Relay assy. (See 54-AA for components)	X-6003-36 A-295045 295020 295061 295282 295286 295306 295307 295313 295314 295925 A-295987
54-AD	297825	Dead Buss Relay, 380-416 Volt Conduit, plastic Transformer assy. (Includes the following:) Bracket, transformer Decal, part no. Transformer (2) Transformer (4) Decal, nine-terminal block Decal, six-terminal block Block, nine-terminal Block, six-terminal Cover, terminal strip Relay assy. (See 54-AA for components)	X-6003-36 A-295050 295020 295066 295289 295291 295306 295307 295313 295314 295925 A-295987
54-AE	295951	Dead Buss Relay, 440-480 Volt Conduit, plastic Transformer assy. (Includes the following:) Bracket, transformer Decal, part no. Transformer (2) Transformer (4) Decal, nine-terminal block Decal, six-terminal block Block, nine-terminal Block, six-terminal Cover, terminal strip Relay assy. (See 54-AA for components)	X-6003-36 A-295046 295020 295062 295292 295293 295306 295307 295313 295314 295925 A-295987

Dead Buss Relays, Continued

KA-Accessory	Kit Number	Description	Part Number
54-AF	297826	Dead Buss Relay, 550-600 Volt	
		Conduit, plastic	X-6003-36
		Transformer assy.	A-295047
		(Includes the following:)	
		Bracket, transformer	295020
		Decal, part no.	295063
		Transformer (2)	295283
		Transformer (4)	295287
		Decal, nine-terminal block	295306
		Decal, six-terminal block	295307
		Block, nine-terminal	295313
		Block, six-terminal	295314
		Cover, terminal strip	295925
Relay assy. (See 54-AA for components)	A-295987		

Nonstandard Accessories

KA-Accessory	Kit Number	Description	Part Number
70-A (Consult Factory)		Nonstandard Accessory(ies)	
75-S1	297498	Single Phase Sensing	
		Board assy., circuit (For serviceable components, see Inner Panel, Automatic (K)-Solid State")	B-297373
75-S2	297499	Single Phase Sensing	
		Board assy., circuit (For serviceable components, see Inner Panel, Automatic (K)-Solid State")	C-297372

S140 Accessories

KD-Accessory	Kit Number	Description	Part Number
05-CS	296116	Over Frequency Card (Emergency)	
05-ES	296117	Over Voltage Card (Single-Phase)	
06-C, 06-D	296068	Switch, Test (Maintained Type)	
07-C, 07-D	296118	Switch, Four-Position	
	296119	Light, Pilot	
08-A, 08-C	296120	Pushbutton, Manual Bypass to Normal	
10-A, 10-B	296121	Switch	
10-C, 10-D	296122	Switch	
12-A, 12-C	296123	Pilot Light (Normal) (Green)	
12-B, 12-D	296111	Pilot Light (Emergency) (Red)	
12-E, 12-G	296124	Pilot Light (Normal) (White)	
12-F, 12-H	296125	Pilot Light (Emergency) (Yellow)	
14-C, 14-D	296196	Relay	
	296197	Socket	
15-E to 15-K	296126	Auxiliary Contact	
15-E to 15-K	296127	Auxiliary Contact	
15-E to 15-K	296128	Auxiliary Contact	
15-E to 15-K	296198	Auxiliary Contact	
15-E to 15-K	296199	Auxiliary Contact	
15-E to 15-K	296200	Auxiliary Contact	
23-C, 23-D	296130	Plant Exerciser	
	296201	Transformer 600 V.	
23-C, 23-D	296129	Plant Exerciser	
23-C, 23-D	296130	Plant Exerciser	
23-C, 23-D	296129	Plant Exerciser	
	296202	Transformer 220 V.	
23-C, 23-D	296130	Plant Exerciser	
	296203	Transformer 240 V.	
23-C, 23-D	296129	Plant Exerciser	
	296204	Transformer 550 V.	
23-C, 23-D	296130	Plant Exerciser	
	296205	Transformer 480 V.	
23-C, 23-D	296129	Plant Exerciser	
	296206	Transformer 190 V.	
23-C, 23-D	296129	Plant Exerciser	
	296207	Transformer 440 V.	
23-C, 23-D	296129	Plant Exerciser	
	296208	Transformer 380 V.	
23-C, 23-D	296129	Plant Exerciser	
	296209	Transformer 416 V.	

S140 Accessories, Continued

KA-Accessory	Kit Number	Description	Part Number
23-G	296130	Plant Exerciser	
	296131	Switch, Selector	
	296201	Transformer 600 V.	
23-G	296129	Plant Exerciser	
	296131	Switch, Selector	
23-G	296130	Plant Exerciser	
	296131	Switch, Selector	
23-G	296129	Plant Exerciser	
	296131	Switch, Selector	
	296202	Transformer	
23-G	296130	Plant Exerciser	
	296131	Switch, Selector	
	296203	Transformer	
23-G	296129	Plant Exerciser	
	296131	Switch, Selector	
	296204	Transformer	
23-G	296130	Plant Exerciser	
	296131	Switch, Selector	
	295299	Transformer	
23-G	296129	Plant Exerciser	
	296131	Switch, Selector	
	296206	Transformer	
23-G	296130	Plant Exerciser	
	296131	Switch, Selector	
23-G	296129	Plant Exerciser	
	296131	Switch, Selector	
23-G	296129	Plant Exerciser	
	296131	Switch, Selector	
	296208	Transformer	
23-G	296129	Plant Exerciser	
	296131	Switch, Selector	
	296209	Transformer	
26-CS1	Consult Factory	Over Voltage Card (Single-Phase)	
26-CS2	296220	Over Voltage Card (3-Phase)	
26-D	296132	Area Protection	
26-GS	296133	Over Frequency	
26-HS	296134	Under Frequency	
29-B	296135	Pushbutton (2)	
29-C	296135	Pushbutton	
29-D	296135	Pushbutton (2)	
29-E	296135	Pushbutton	

S140 Accessories, Continued

KA-Accessory	Kit Number	Description	Part Number
29-F	296135	Pushbutton (2)	
	296136	Switch, Selector	
29-G	296135	Pushbutton (2)	
	296136	Switch, Selector	
29-H	296135	Pushbutton	
	296136	Switch, Selector	
29-J	296135	Pushbutton	
	296136	Switch, Selector	
31-A	296137	Alarm	
	296210	Transformer 600 V.	
31-A	296137	Alarm	
31-A	296137	Alarm	
	296211	Transformer 220 V.	
31-A	296137	Alarm	
	296212	Transformer 240 V.	
31-A	296137	Alarm	
	296213	Transformer 550 V	
31-A	296137	Alarm	
	296214	Transformer 480 V.	
31-A	296137	Alarm	
	296215	Transformer 190 V.	
31-A	296137	Alarm	
	296216	Transformer 208 V.	
31-A	296137	Alarm	
	296217	Transformer 440 V.	
31-A	296137	Alarm	
	296218	Transformer 380 V.	
31-A	296137	Alarm	
	296219	Transformer 416 V.	

TP-5257 5/93a

© Kohler Co., 1993. All rights reserved.

KOHLER[®] POWER SYSTEMS

KOHLER CO. Kohler, Wisconsin 53044
Phone 920-565-3381, Web site www.kohlergenerators.com
Fax 920-459-1646 (U.S.A. Sales), Fax 920-459-1614 (International)
For the nearest sales and service outlet in U.S.A. and Canada
Phone 1-800-544-2444

Kohler[®] Power Systems
Asia Pacific Headquarters
7 Jurong Pier Road
Singapore 619159
Phone (65)264-6422, Fax (65)264-6455