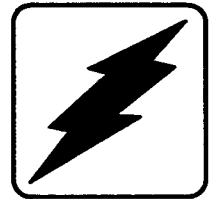


Parts Catalog

Standby Generator Sets



Models:

John Deere
Diesel-Fueled Engines
4239DL and 4239TL

KOHLER[®]
POWER SYSTEMS

MODEL NUMBER INDEX

GROUP TITLE	Air Intake	Water Pump	Thermostat	Fan Belt	Vent Tube	Camshaft and Valves	Rocker Arm Cover
GROUP #	1	2a	2b	2c	3	4a	4b
PAGE #	1	3	4	5	6	7	9
GRID #							
ENGINE 4239DL	1	1	1	1	1	1	1
4239TL	2	1	1	1	1	2	1
GROUP TITLE	Fuel Inj. System	Fuel Inj. Nozzle	Fuel Inj. System Parts	Engine Block	Crankshaft	Crankshaft Pulleys	Cylinder Head
GROUP #	5a	5b	5c	7	8a	8b	9
PAGE #	11	13	15	17	19	21	23
GRID #							
ENGINE 4239DL	1	1	1	1	1	1	1
4239TL	2	2	1	2	1	2	2
GROUP TITLE	Dipstick & Oil Filter	Starter Motor	Starter Motor Components	Exhaust Manifold	Flywheel	Flywheel Housing	Fuel Pump
GROUP #	10	11a	11b	12	13a	13b	14
PAGE #	27	28	29	30	32	33	34
GRID #							
ENGINE 4239DL	1	1	1	1	1	1	1
4239TL	2	1	1	2	1	1	1
GROUP TITLE	Fuel Filter	Balancer Shafts	Timing Gear Cover	Oil Pan	Oil Fill Tube	Oil Cooler	Piston & Rod
GROUP #	15	16	18	21a	21b	21c	22
PAGE #	35	37	38	39	41	43	45
GRID #							
ENGINE 4239DL	1	1	1	1	1	1	1
4239TL	2	1	1	2	1	1	2

MODEL NUMBER INDEX (cont'd.)

GROUP TITLE	Oil Pump	Front Plate	Cylinder Head Gaskets	Overhaul Gasket Kit	Short Block	Turbocharger and Oil Lines	Turbocharger Center Housing Kit
GROUP #	25	26	39a	39b	42	50a	50b
PAGE #	47	48	49	51	53	55	57
GRID #							
ENGINE 4239DL	1	1	1	1	1	-	-
4239TL	1	2	2	2	2	1	1
GROUP TITLE	Alternator	Alternator Brackets					
GROUP #	51a	51b					
PAGE #	58	59					
GRID #							
ENGINE 4239DL	1	1					
4239TL	1	1					

INTRODUCTION

This manual contains a complete listing of service replacement parts for John Deere diesel-fueled engine models 4239DL and 4239TL. The manual includes the following main sections in the sequence listed.

1. *Model Number Index:* Listing of engine model numbers arranged in numerical/alphabetical

sequence on each page. Group variation numbers are listed in the horizontal line to the right of each spec. number.

2. *Group Parts List:* Indicates specific parts for each specification. Illustrations of parts are shown for some of the various parts. Illustrations are keyed to the part numbers found in the parts group listings.

NUMBER SIGNIFICANCE

There are various numbers which must be used in the determining how to identify a part number. The significance of each of these numbers is explained as follows:

MODEL NUMBER: The engine number, which is found on the nameplate attached to the engine.

GROUP NUMBER: The group consists of related parts needed to provide one or more related functions.

GROUP VARIATION NUMBER: There may be various groupings of parts designed to provide the same function, however, with minor differences. Each of these differences necessitates the assignment of a group variation number. Example, dry air cleaner or oil bath air cleaner – both perform the same function, however, use different parts.

PART NUMBER: The part number is the number by which an individual piece of a generator set is identified and ordered.

HOW TO FIND PART NUMBERS

Following is a step-by-step procedure to be used in identifying and ordering a specific part.

Item to be ordered: STARTER MOTOR

STEP 1: Record the *Engine Model* number from the nameplate on the engine. (Sample: 4239DL)

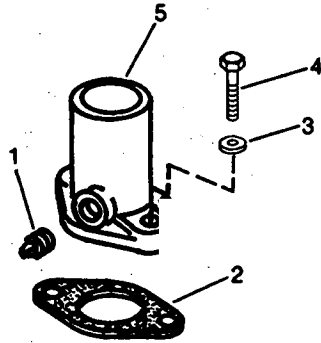
STEP 2: In the Model Number Index, find model

no. 4239DL in the left-hand vertical column. Under Group 11a – Starter Motor column, locate the variation number assigned to specification 4239DL. The variation number is 1.

STEP 3: Turn to Part Group 11a – Starter Motor. Note the Starter Motor is identified with Index Number 1 – under this number locate Variation 1. Starter Motor 223569 is assigned to this variation.

John Deere 4239DL and 4239TL

Group 1 Air Intake



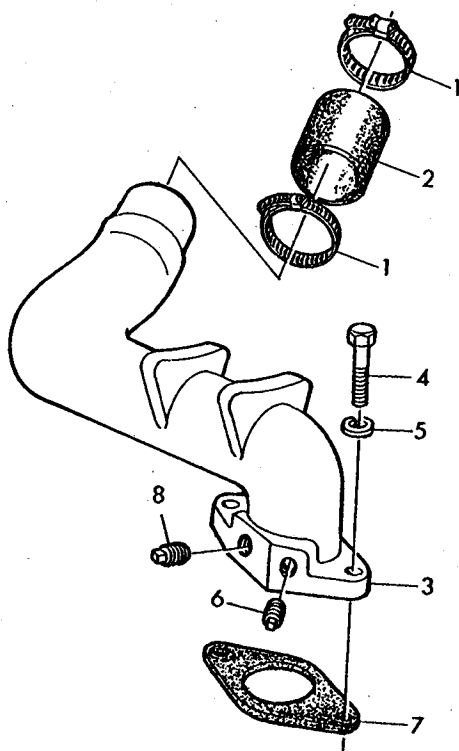
TP25401

Reproduced by permission of Deere & Company,
© 1988 Deere & Company All rights reserved.

Item	Qty.	Description Variation No.	Part No.	Item	Qty.	Description Variation No.	Part No.
1	1	Plug, 3/8NPT pipe 1	#				
2	1	Gasket 1	223532				
3	2	Washer, 3/8 lock 1	#				
4	2	Screw, 3/8-16 x 1-1/4" cap 1	#				
5	1	Elbow, air intake 1	223647				

John Deere 4239DL and 4239TL

Group 1 Air Intake



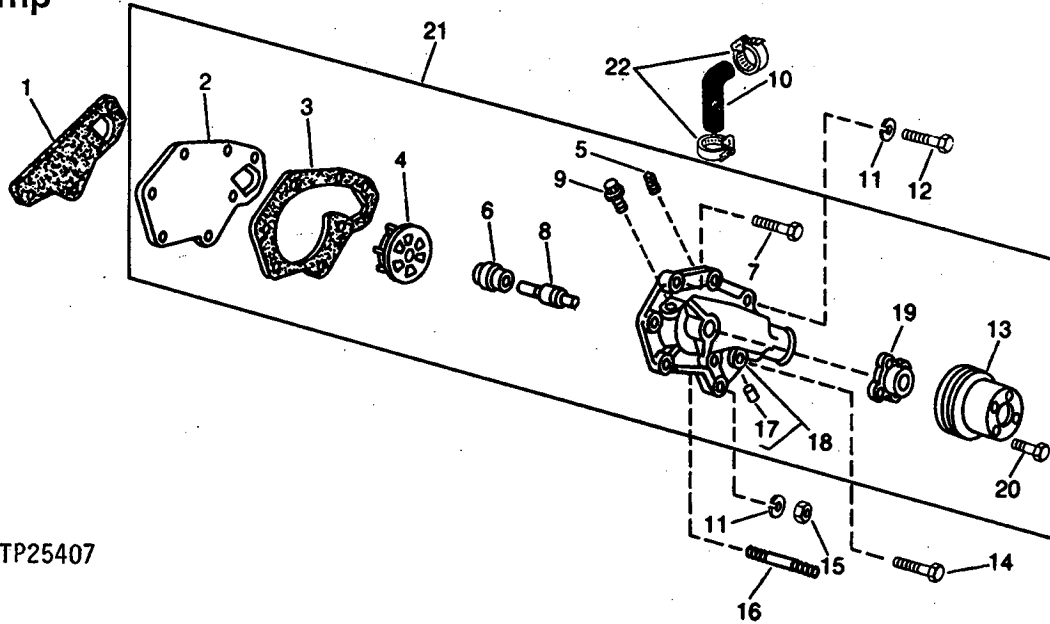
CD 25559

Reproduced by permission of Deere & Company,
© 1988 Deere & Company All rights reserved.

Item	Qty.	Description Variation No.	Part No.	Item	Qty.	Description Variation No.	Part No.
1	2	Clamp 2	#				
2	1	Hose, 2" ID x 2-1/2"L 2	#				
3	1	Duct, air 2	223529				
4	2	Screw, 3/8-16 x 1-1/4" 2	#				
5	2	Washer, 3/8 lock 2	#				
6	1	Plug, 3/8NPT pipe 2	#				
7	1	Gasket 2	223532				
8	1	Plug, 1/8NPT pipe 2	#				

John Deere 4239DL and 4239TL

Group 2a Water Pump



TP25407

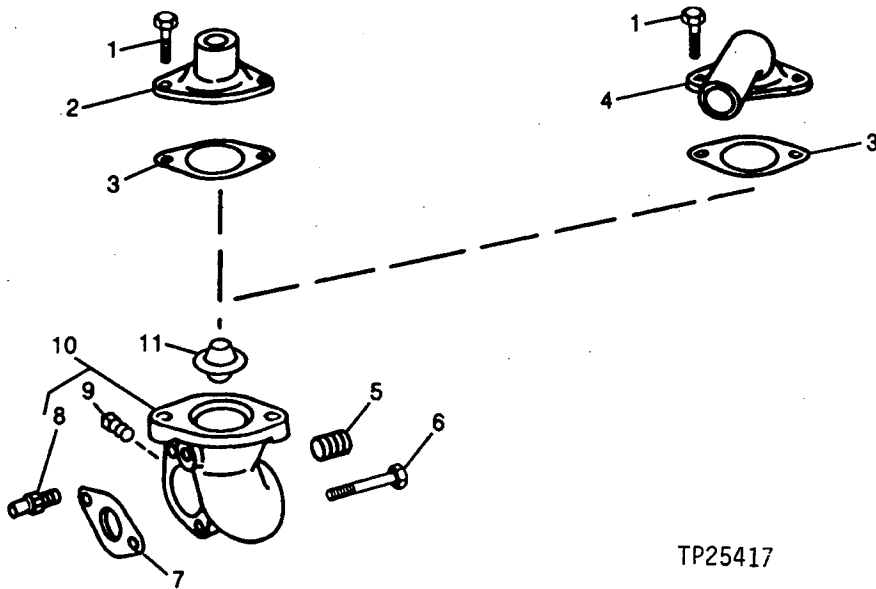
Reproduced by permission of Deere & Company,
© 1988 Deere & Company All rights reserved.

Item	Qty.	Description Variation No.	Part No.	Item	Qty.	Description Variation No.	Part No.
1	1	Gasket 1	223628	12	1	Screw, 3/8-16 x 3-1/2" 1	#
2	1	Cover 1	X		1	Screw, 3/8-16 x 2" 1	#
3	1	Gasket 1	223560	13	1	Pulley 1	223659
4	1	Impeller 1	223553	14	1	Screw, 3/8-16 x 3-1/4" 1	#
5	1	Plug, pipe 1/2" 1	#	15	1	Nut, 3/8-16 1	#
6	1	Seal kit (w/insert tool) 1	X	16	1	Stud 1	#
7	2	Screw, 3/8-16 x 1-3/8" 1	#	17	1	Tube 1	X
8	1	Bearing, ball 1	X	18	1	Pump, water 1	X
9	1	Fitting, hose 1	X	19	1	Hub 1	X
10	1	Hose 1	223629	20	4	Screw, 5/16-18 x 7/8" 1	#
11	3	Washer, 3/8" lock 1	#	21	1	Pump assembly, water 1	223433
				22	2	Clamp 1	#

Common Hardware, Procure Locally
X Not Sold Separately

John Deere 4239DL and 4239TL

Group 2b Thermostat



TP25417

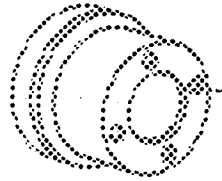
Reproduced by permission of Deere & Company,
© 1988 Deere & Company All rights reserved.

Item	Qty.	Description Variation No.	Part No.	Item	Qty.	Description Variation No.	Part No.
1	2	Screw, 3/8-16 x 1-1/4 1	#	11	1	Thermostat 1	223595
	2	Washer, 13/32 x 11/16 x .06" 1	#				
2	1	Cover 1	223635				
3	1	Gasket 1	223626				
4			not used				
5	1	Plug, pipe 1/2" 1	#				
6	2	Screw, 3/8-16 x 2-1/4" cap 1	#				
7	1	Gasket 1	223627				
8	1	Fitting, hose 1	223605				
9	1	Plug, pipe 1/2" 1	#				
10	1	Housing 1	223424				

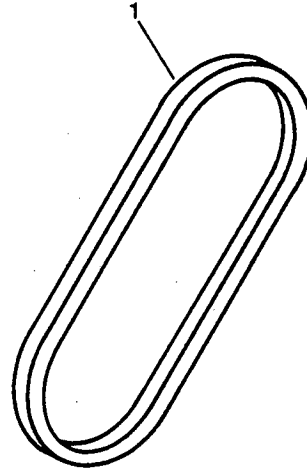
Common Hardware, Procure Locally
X Not Sold Separately

John Deere 4239DL and 4239TL

**Group 2c
Fan Belt**



TP6907

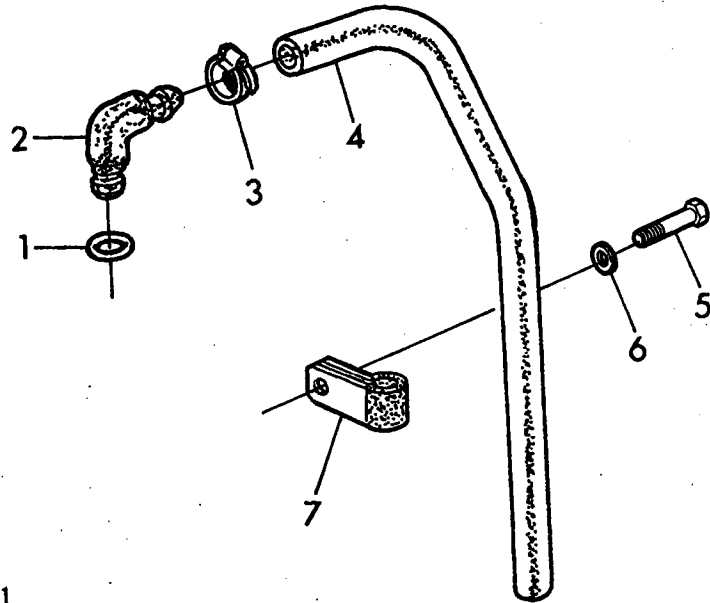


Reproduced by permission of Deere & Company,
© 1988 Deere & Company All rights reserved.

Item	Qty.	Description Variation No.	Part No.	Item	Qty.	Description Variation No.	Part No.
1	1	Belt, 11/16" x 49.5" 1	223640				

John Deere 4239DL and 4239TL

Group 3 Vent Tube



CD 36501

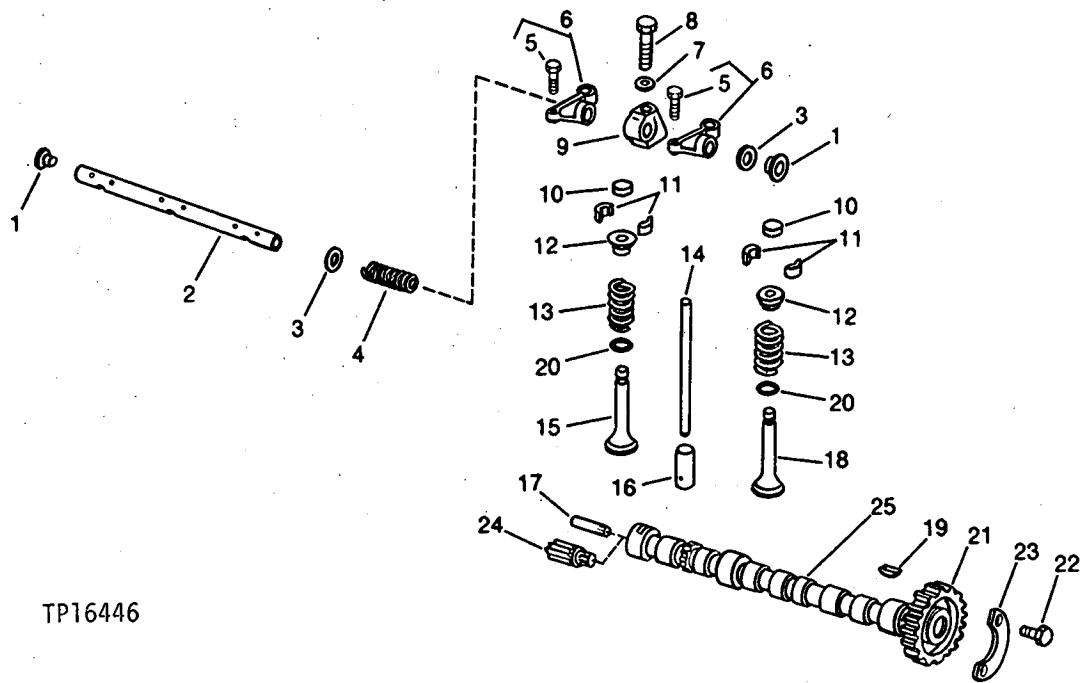
Reproduced by permission of Deere & Company,
© 1988 Deere & Company All rights reserved.

Item	Qty.	Description Variation No.	Part No.	Item	Qty.	Description Variation No.	Part No.
1	1	O-ring 1	223491				
2	1	Fitting, elbow 1	223551				
3	1	Clamp 1	#				
4	1	Hose 1	223450				
5	1	Screw, 3/8-16 x 1/2" 1	#				
6	1	Washer, 13/32 x 11/16 x .06" plain 1	#				
7	1	Clamp 1	#				

Common Hardware, Procure Locally
X Not Sold Separately

John Deere 4239DL and 4239TL

Group 4a Camshaft and Valves



Reproduced by permission of Deere & Company,
© 1988 Deere & Company All rights reserved.

Common Hardware, Procure Locally
X Not Sold Separately

John Deere 4239DL and 4239TL

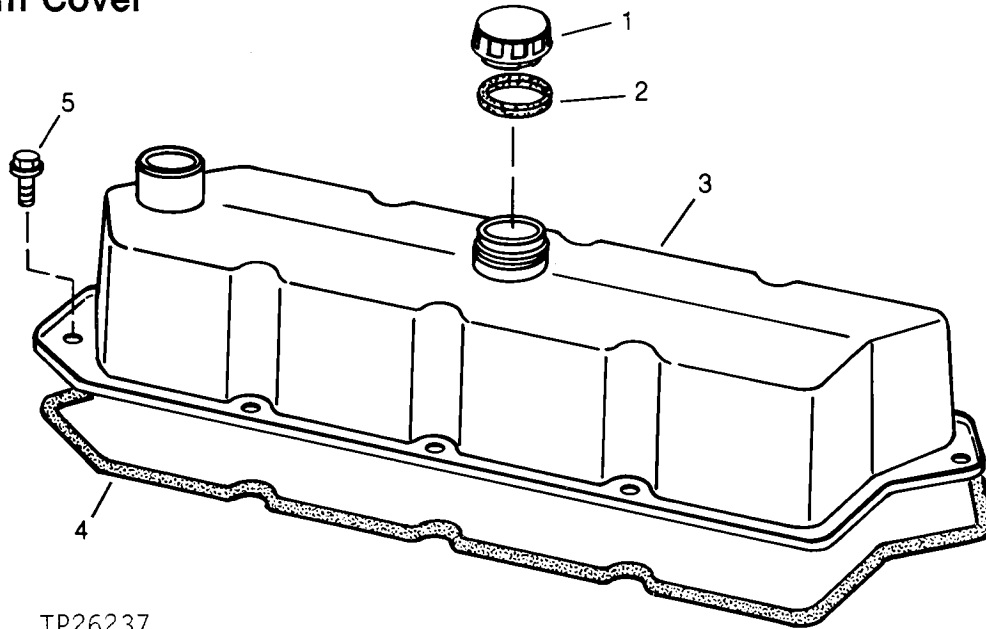
Group 4a Camshaft and Valves

Item	Qty.	Description Variation No.	Part No.	Item	Qty.	Description Variation No.	Part No.
1	2	Plug 1,2	223480	4	Valve, intake std. 2	223475	
2	1	Shaft 1,2	223481	4	Valve, intake .003" O/S 2	223496	
3	2	Washer 1,2	223634	4	Valve, intake .015" O/S 2	223497	
4	3	Spring 1,2	223632	4	Valve, intake .030" O/S 2	223498	
5	8	Screw 1,2	X	16	Tappet 1,2	223611	
6	8	Arm, rocker 1,2	223592	17	Shaft, drive 1,2	223533	
7	4	Washer 1,2	#	18	Valve, exhaust std. 1,2	223521	
8	4	Screw, 3/8-16 x 2-1/2" cap 1,2	#	4	Valve, exhaust .003" O/S 1,2	223522	
9	4	Support 1,2	223633	4	Valve, exhaust .015" O/S 1,2	223523	
10	8	Cap 1	223463	4	Valve, exhaust .030" O/S 1,2	223524	
	8	Cap 2	223617	19	Key, shaft 1,2	223564	
11	16	Retainer 1	223612	20	O-ring 1,2	223543	
12	8	Retainer 1	223621	21	Gear 1,2	223609	
	8	Rotator 2	223563	22	Screw, 3/8-16 x 1" cap 1,2	#	
13	8	Spring 1,2	223455	23	Plate 1,2	223610	
14	8	Rod, push 1,2	223537	24		not used	
15	4	Valve, intake std. 1	223520	25	Camshaft 1,2	223536	
	4	Valve, intake .003" O/S 1	223525				
	4	Valve, intake .015" O/S 1	223526				
	4	Valve, intake .030" O/S 1	223527				

Common Hardware, Procure Locally
X Not Sold Separately

John Deere 4239DL and 4239TL

Group 4b Rocker Arm Cover



TP26237

Reproduced by permission of Deere & Company.
© 1988 Deere & Company All rights reserved.

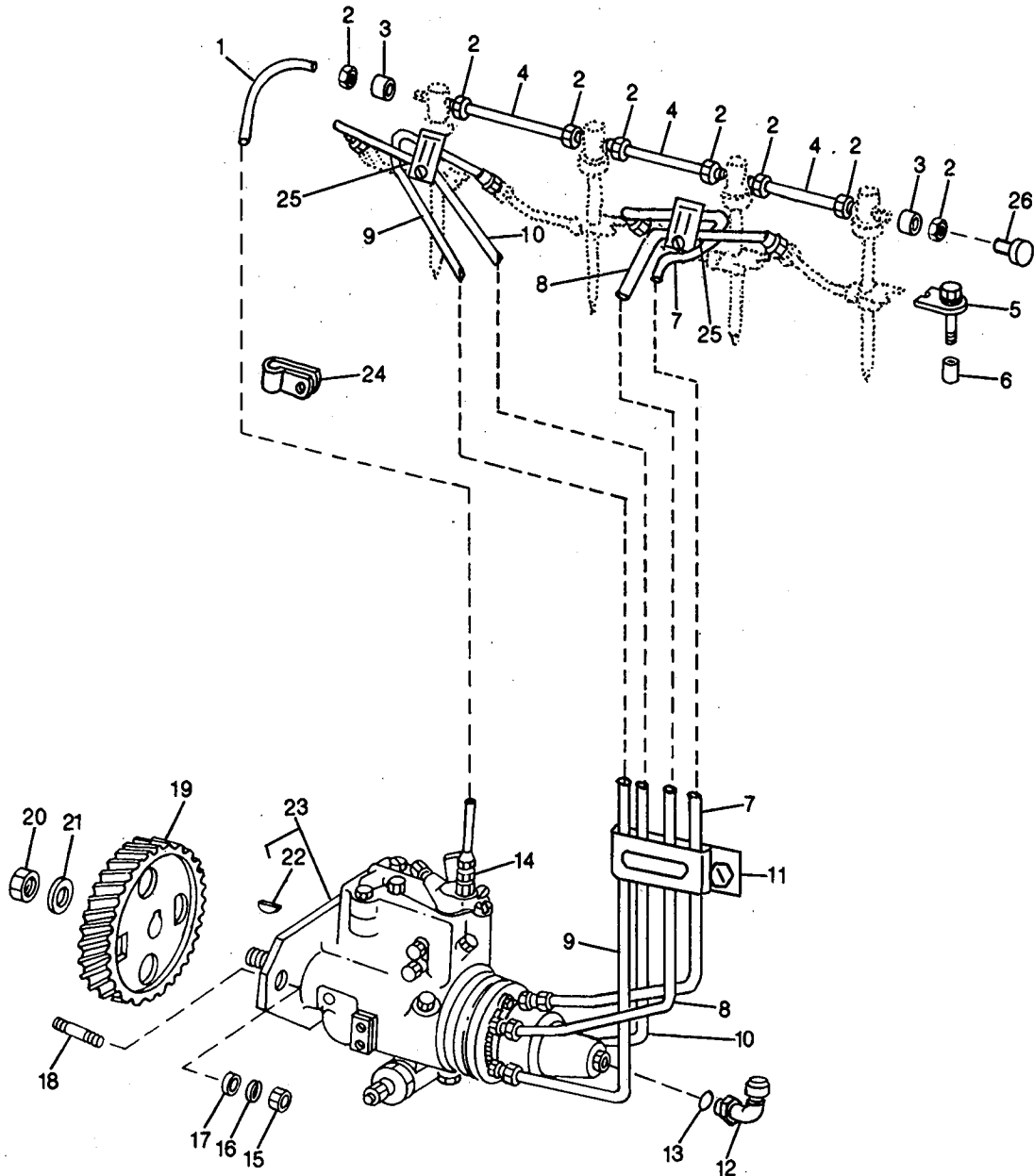
Item	Qty.	Description Variation No.	Part No.	Item	Qty.	Description Variation No.	Part No.
1	1	Cap 1	223630				
2	1	Gasket 1	223636				
3	1	Cover 1	223444				
4	1	Gasket 1	223508				
5	8	Screw, w/washer 1	#				

Common Hardware, Procure Locally
X Not Sold Separately

NOTES

John Deere 4239DL and 4239TL

Group 5a Fuel Injection System



TP16453

Reproduced by permission of Deere & Company,
© 1988 Deere & Company All rights reserved.

John Deere 4239DL and 4239TL

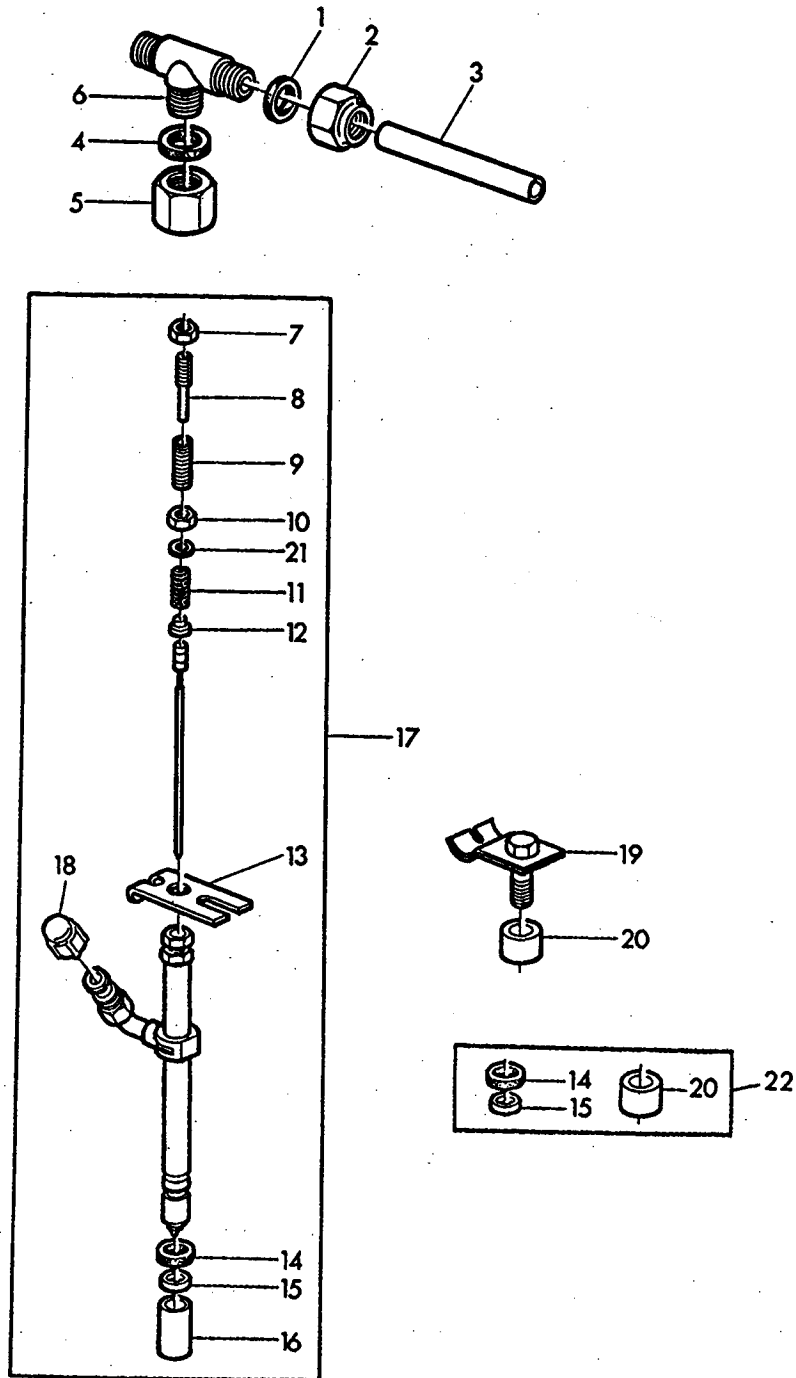
Group 5a Fuel Injection System

Item	Qty.	Description Variation No.	Part No.	Item	Qty.	Description Variation No.	Part No.
1	1	Line, fuel 1,2	223587	19	1	Gear 1	223450
					1	Gear 2	223486
2	8	Fitting 1,2	223477	20	1	Nut 1	223470
3	8	Packing (seal) 1,2	223476		1	Nut 2	223489
4	3	Tube 1,2	223504	21	1	Washer, lock 1	223471
5	4	Clamp 1,2	223459		1	Washer 2	223490
6	4	Spacer 1,2	223501	22	1	Key, shaft 5/32 x 5/8" 1,2	223406
7	1	Line, fuel no. 3 1,2	223576	23	1	Injection pump, fuel (Engine serial number 349266 and below) 1	223578
8	1	Line, fuel no. 4 1,2	223577		1	Injection pump, fuel (Engine serial number 349267 and above) 1	224330
9	1	Line, fuel no. 2 1,2	223575		1	Injection pump, fuel 2	223599
10	1	Line, fuel no. 1 1,2	223574	24	1	Clip 1,2	223655
11	1	Clamp 1,2	223573	25	2	Clamp 1,2	223572
	1	Screw, M6 x 10 cap 1,2	#		2	Screw, M6 x 10 cap 1,2	#
12	1	Fitting, elbow 1,2	223447	26	1	Rivet, 1/4 x 5/8" 1,2	#
13	1	O-ring 1,2	223456				
14	1	Fitting 1,2	223460				
15	3	Nut, 5/16-18 1,2	#				
16	3	Washer, 5/16" lock 1,2	#				
17	3	Washer, 11/32 x 11/16 x 1/16" 1,2	#				
18	3	Stud 1	#				
	3	Stud 2	#				

Common Hardware, Procure Locally
X Not Sold Separately

John Deere 4239DL and 4239TL

Group 5b Fuel Injection Nozzle



CD 25722

Reproduced by permission of Deere & Company,
© 1988 Deere & Company All rights reserved.

Common Hardware, Procure Locally
X Not Sold Separately

John Deere 4239DL and 4239TL

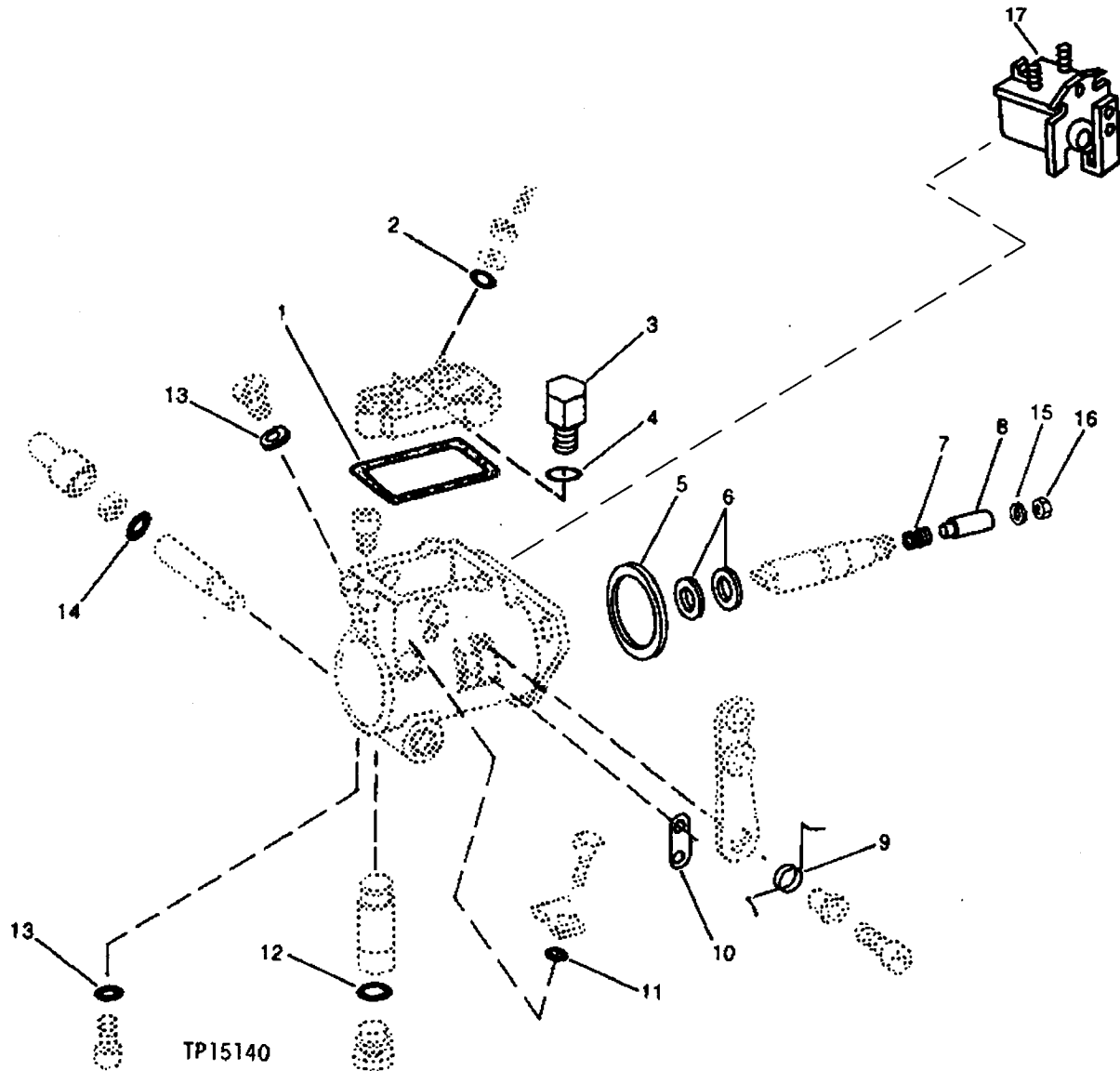
Group 5b Fuel Injection Nozzle

Item	Qty.	Description Variation No.	Part No.	Item	Qty.	Description Variation No.	Part No.
1	8	Packing (seal) 1,2	223476	15	1	Washer 1	X
					1	Washer 2	X
2	8	Fitting 1,2	223477	16	AR	Plug 1,2	X
3	3	Tube 1,2	223504	17	4	Nozzle 1	223431
4	4	Sleeve (washer) 1,2	223518		4	Nozzle 2	223591
5	4	Nut, 9/16" (fitting) 1,2	223517	18	AR	Plug 1,2	223660
6	4	Fitting, tee (cap) 1,2	223519	19	4	Clamp 1,2	X
7	1	Nut, #10 lock 1,2	X	20	4	Spacer 1	X
8	1	Screw 1,2	X		4	Spacer 2	X
9	1	Screw 1,2	X	21	1	Shim 1,2	X
10	1	Nut, 5/16-18 1,2	X	22	4	O-ring kit 1	223564
11	1	Spring 1,2	X		4	O-ring kit 2	223593
12	1	Guide 1,2	X	NOTE: If Items 14, 15, or 20 are needed, order Item 22 O-ring kit.			
13	1	Clamp 1,2	X				
14	1	Washer 1	X				
	1	Washer 2	X				

Common Hardware, Procure Locally
X Not Sold Separately

John Deere 4239DL and 4239TL

Group 5c Fuel Injection Pump Replacement Parts



Reproduced by permission of Deere & Company,
© 1988 Deere & Company All rights reserved.

John Deere 4239DL and 4239TL

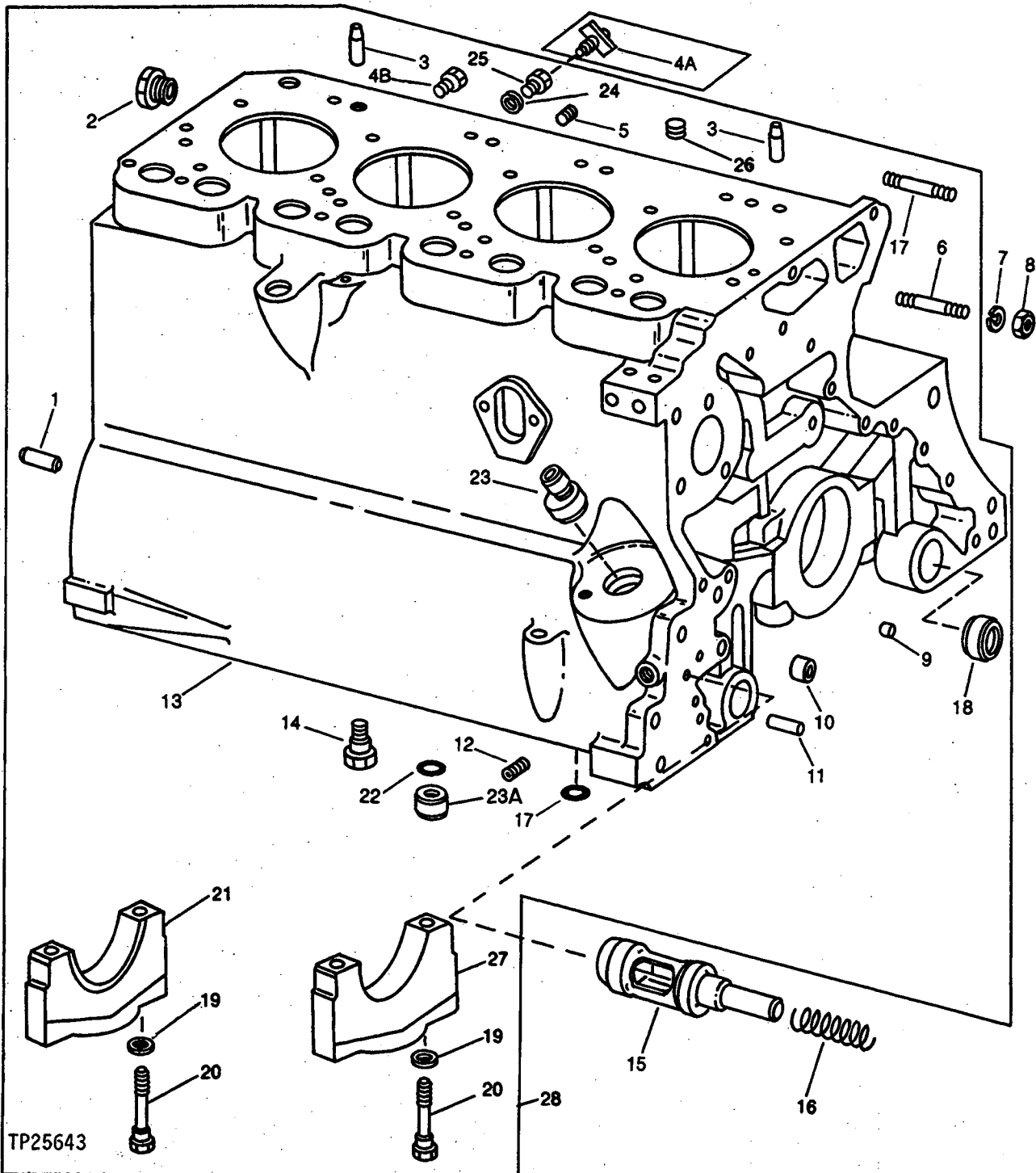
Group 5c Fuel Injection Pump Replacement Parts

Item	Qty.	Description Variation No.	Part No.	Item	Qty.	Description Variation No.	Part No.
1	1	Gasket 1	X	10	1	Gasket 1	X
2	1	O-ring 1	X	11	1	O-ring 1	X
3	1	Connector 1	X	12	1	O-ring 1	X
4	1	O-ring 1	X	13	3	O-ring 1	X
5	1	O-ring 1	X	14	1	O-ring 1	X
6	2	Seal 1	X	15	1	Washer, lock 1	X
7	1	Spring 1	X	16	1	Nut 1	X
8	1	Pin 1	X	17	1	Fuel Shut-off Solenoid 1	224367
9	1	Spring 1	X				

Common Hardware, Procure Locally
X Not Sold Separately

John Deere 4239DL and 4239TL

Group 7 Engine Block



Reproduced by permission of Deere & Company,
© 1988 Deere & Company All rights reserved.

John Deere 4239DL and 4239TL

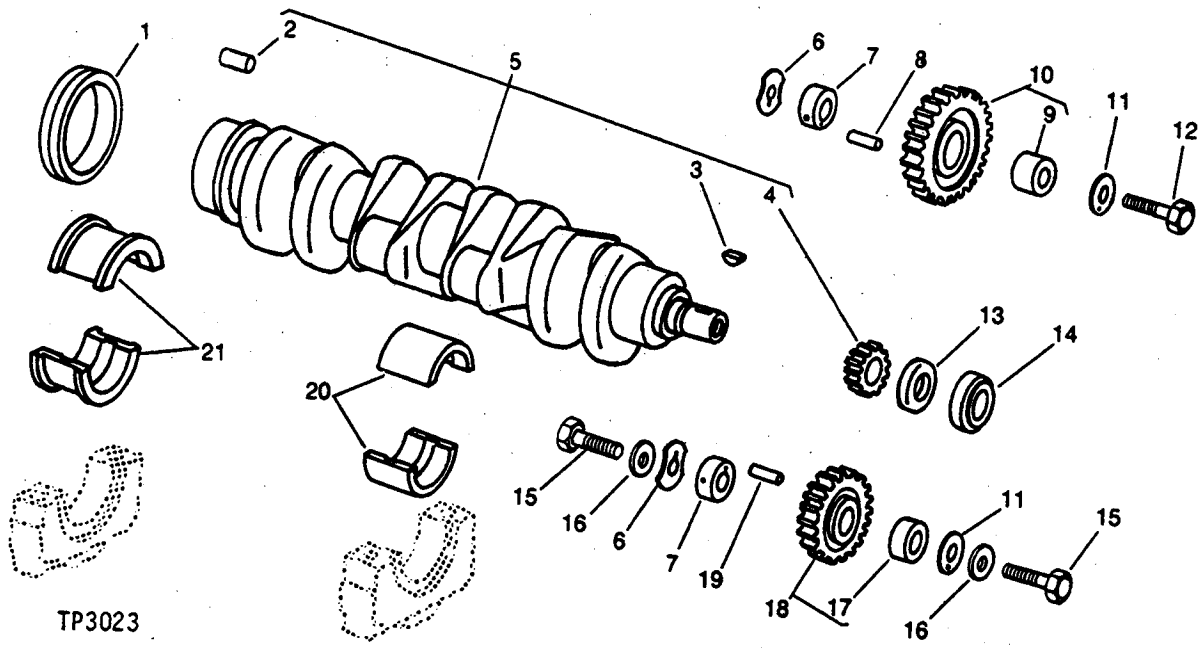
Group 7 Engine Block

Item	Qty.	Description Variation No.	Part No.	Item	Qty.	Description Variation No.	Part No.
1	2	Pin, dowel 1,2	223472	19	10	Washer 1,2	#
2	1	Plug, pipe 3/4NPT, 3/8" recess. hex 1,2	#	20	10	Screw, cap 1,2	223639
3	2	Pin, dowel 1,2	223472	21	1	Cap, rear 1,2	223516
4A	A/R	Valve, drain 1,2	223435	22	1	O-ring 1,2	223512
4B	1	Plug, pipe 1/4NPT 1,2	#	23	1	Nipple, threaded 1,2	223638
5	1	Plug, pipe 1/4NPT 1,2	#	23A	1	Fitting 1,2	223513
6	1	Stud (water pump) 1,2	#	24	1	O-ring 1,2	#
7	1	Washer, 3/8" lock 1,2	#	25	1	Plug, drain 1,2	223462
8	1	Nut, 3/8-16 1,2	#	26	1	Plug, pipe 1	#
9	1	Cap 1,2	#	27	4	Cap, bearing 1,2	223503
10	1	Bushing 1,2	X	28	1	Block, cylinder 1,2	X
11	2	Pin, dowel 1,2	#	NOTE: If Item 28 Cylinder Block is required, see Group 42 Short Block.			
12	1	Plug, pipe 3/8NPT, sq. head 1,2	#				
13	1	Block, cylinder (basic) 1,2	X				
14	4	Orifice (w/piston cooling) 1,2	X				
	5	Plug, pipe (w-o/piston cooling) 1,2	#				
15	1	Valve 1,2	223507				
16	1	Spring 1,2	223465				
17	2	Stud 1,2	#				
18	6	Bushing (std.) 1,2	223494				
	6	Bushing (O/S) 1,2	223550				

Common Hardware, Procure Locally
X Not Sold Separately

John Deere 4239DL and 4239TL

Group 8a Crankshaft



TP3023

Reproduced by permission of Deere & Company,
© 1988 Deere & Company All rights reserved.

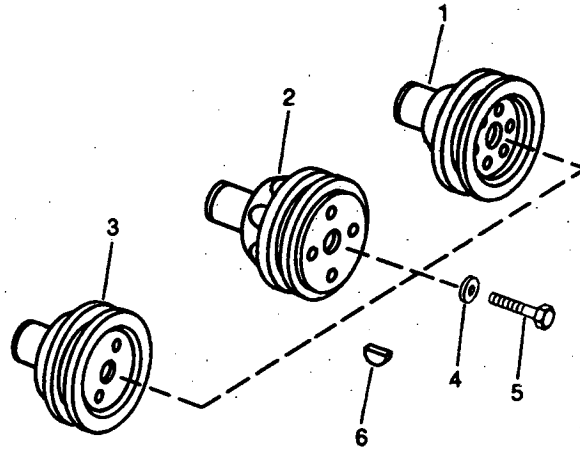
John Deere 4239DL and 4239TL

Group 8a Crankshaft

Item	Qty.	Description Variation No.	Part No.	Item	Qty.	Description Variation No.	Part No.
1	1	Seal, oil 1	223583	20	4	Bearing std. (set of 2) 1	223728
2	1	Pin, dowel 1	223472		4	Bearing .002" (.05 mm) U/S 1 (set of 2)	223719
3	1	Key, shaft 1/8 x 5/8" 1	223407		4	Bearing .010" (.25 mm) U/S 1 (set of 2)	223720
4	1	Gear (24 teeth) 1	223615		4	Bearing .020" (.51 mm) U/S 1 (set of 2)	223721
5	1	Crankshaft 1	223436		4	Bearing .030" (.76 mm) U/S 1 (set of 2)	223722
6	2	Washer, thrust 1	223649	21	1	Bearing std. (set of 2) 1	223727
7	2	Shaft 1	223648		1	Bearing .002" (.05 mm) U/S 1 (set of 2)	223723
8	1	Pin, spring 1	223408		1	Bearing .010" (.25 mm) U/S 1 (set of 2)	223724
9	1	Bushing 1	223606		1	Bearing .020" (.51 mm) U/S 1 (set of 2)	223725
10	1	Gear (55 teeth) 1	223432		1	Bearing .030" (.76 mm) U/S 1 (set of 2)	223726
11	2	Washer, thrust 1	223651				
12	1	Screw 1	223652				
13	1	Slinger, oil 1	223607				
14	1	Seal, oil 1	223422				
15	2	Screw 1	223650				
16	2	Washer 1	#				
17	1	Bushing 1	223984				
18	1	Gear (45 teeth) 1	223729				
19	1	Pin, spring 3/16 x 1-1/2" 1	#				

John Deere 4239DL and 4239TL

Group 8b Crankshaft Pulleys



TP25287

Reproduced by permission of Deere & Company,
© 1988 Deere & Company All rights reserved.

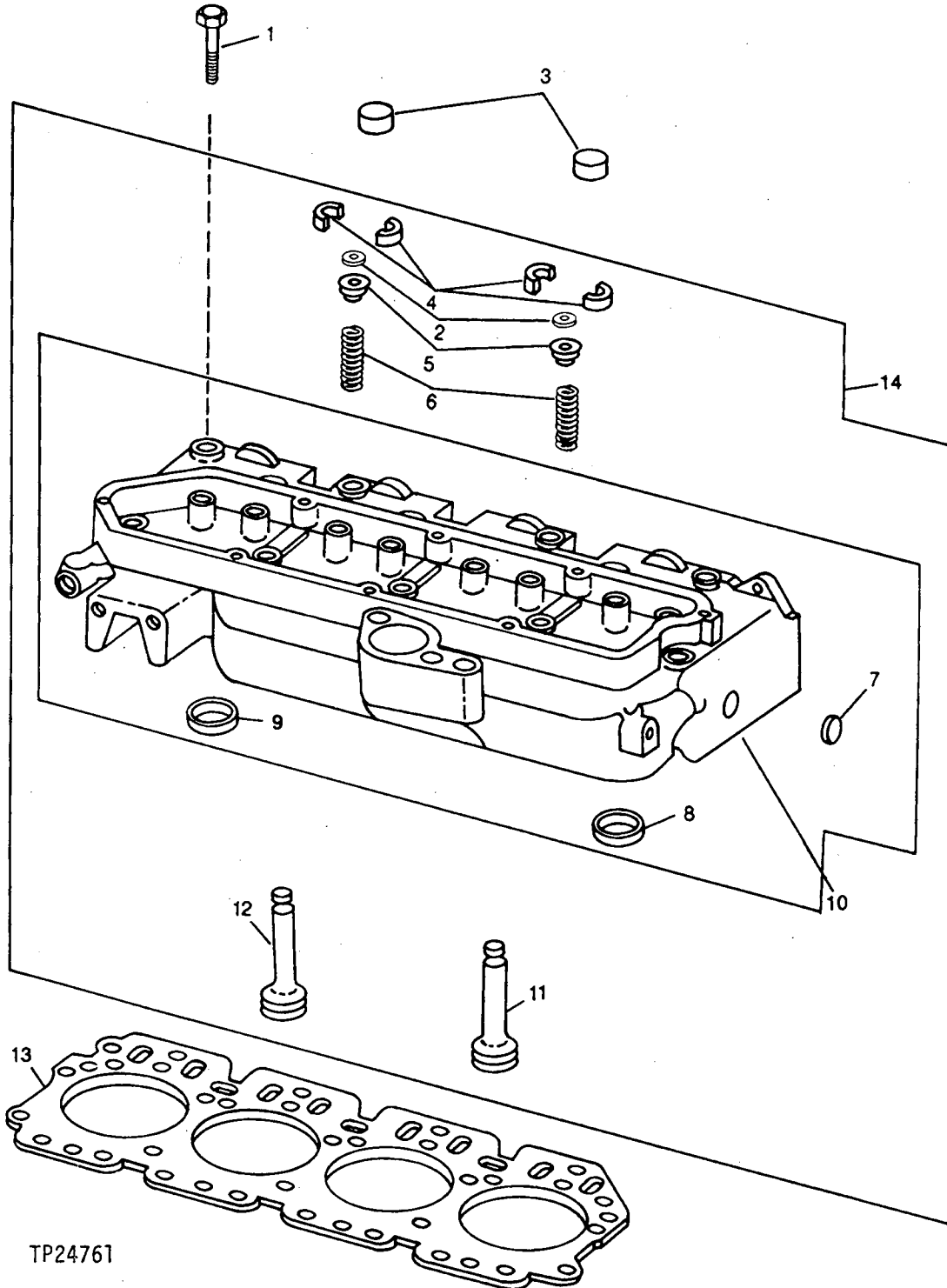
Item	Qty.	Description Variation No.	Part No.	Item	Qty.	Description Variation No.	Part No.
1	1	Pulley (6-hole) 1	223643				
2			not used				
3	1	Pulley (2-hole) 2	223658				
4	1	Washer 1,2	#				
5	1	Screw, cap 1,2	223541				
6	1	Key, shaft 1,2	223642				

Common Hardware, Procure Locally
X Not Sold Separately

NOTES

John Deere 4239DL and 4239TL

Group 9 Cylinder Head



TP24761

Reproduced by permission of Deere & Company,
© 1988 Deere & Company All rights reserved.

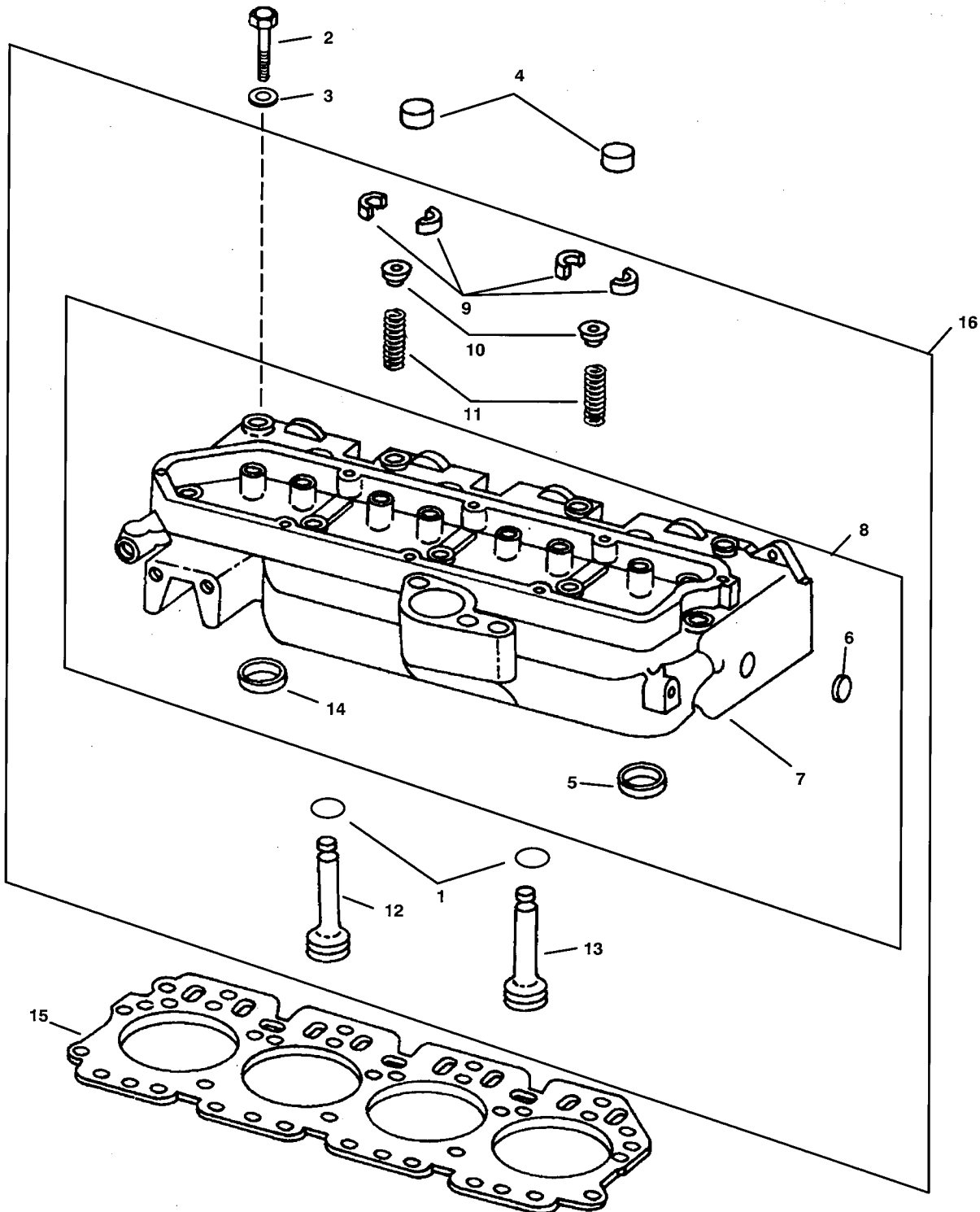
John Deere 4239DL and 4239TL

Group 9 Cylinder Head

Item	Qty.	Description Variation No.	Part No.	Item	Qty.	Description Variation No.	Part No.
1	18	Screw, 1/2-13 x 4-1/4 1	#				
2	8	O-ring 1	223543				
3	8	Cap 1	223617				
4	16	Retainer 1	223612				
5	8	Rotator 1	223563				
6	8	Spring 1	223455				
7	2	Cap 1)	223448				
8	4	Insert, valve seat (exhaust) 1	223474				
9	4	Insert, valve seat (intake) 1	223554				
10	1	Head, cylinder w-o/valves 1	X				
11	4	Valve, exhaust std. 1	223521				
	4	Valve, exhaust .003" O/S 1	223522				
	4	Valve, exhaust .015" O/S 1	223523				
	4	Valve, exhaust .030" O/S 1	223524				
12	4	Valve, intake std. 1	223520				
	4	Valve, intake .003" O/S 1	223525				
	4	Valve, intake .015" O/S 1	223526				
	4	Valve, intake .030" O/S 1	223527				
13	1	Gasket, cylinder head 1	223530				
14	1	Head, cylinder w/valves 1	223597				

John Deere 4239DL and 4239TL

Group 9 Cylinder Head



TP-24761

Reproduced by permission of Deere & Company,
© 1988 Deere & Company All rights reserved.

John Deere 4239DL and 4239TL

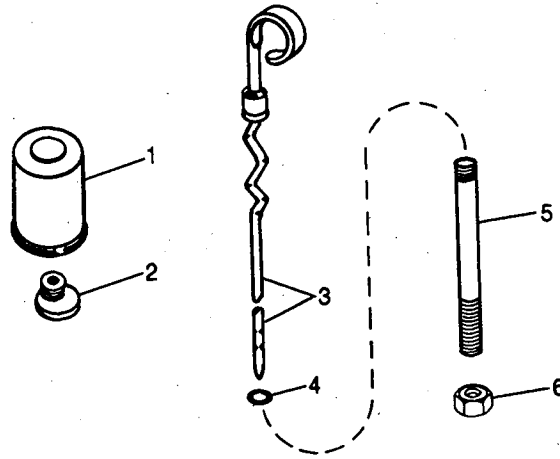
Group 9 Cylinder Head

Item	Qty.	Description Variation No.	Part No.	Item	Qty.	Description Variation No.	Part No.
1	8	O-ring 2	223543	12	4	Valve, exhaust std. 2	223521
2	18	Screw, 1/2-13 x 4-1/4" cap 2	#		4	Valve, exhaust .003" O/S 2	223522
3	18	Washer 2	#		4	Valve, exhaust .015" O/S 2	223523
4	8	Cap 2	223617		4	Valve, exhaust .030" O/S 2	223524
5	4	Insert, exhaust valve seat 2	223474	13	4	Valve, intake std. 2	223539
6	AR	Cap 2	223409		4	Valve, intake .003" O/S 2	223544
	AR	Cap 2	223448		4	Valve, intake .015" O/S 2	223545
7	1	Head, cylinder (bare) 2	X		4	Valve, intake .030" O/S 2	223546
8	1	Head, cylinder w-o/valves 2	X	14	4	Insert, intake valve seat 2	223453
9	16	Retainer 2	223612	15	1	Gasket, cylinder head 2	223530
10	8	Rotator 2	223563	16	1	Head, cylinder w/valves 2	223411
11	8	Spring 2	223455	NOTE: Item 3 washer is not required when Item 2 screw has been replaced.			

Common Hardware, Procure Locally
X Not Sold Separately

John Deere 4239DL and 4239TL

Group 10 Dipstick & Oil Filter



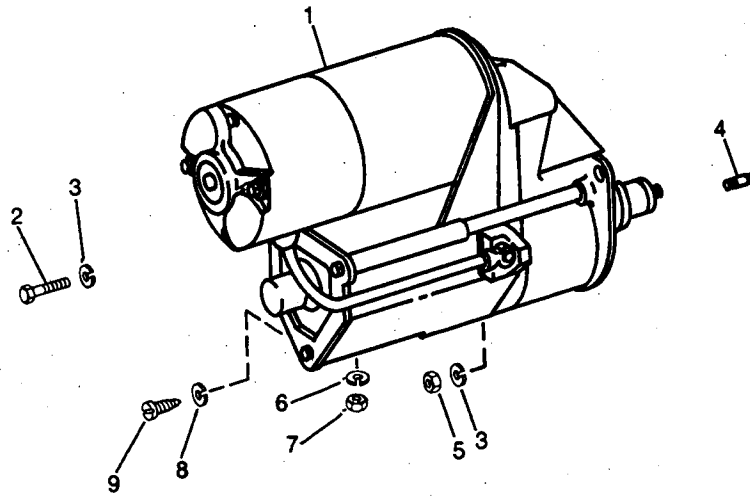
TP16416

Reproduced by permission of Deere & Company,
© 1988 Deere & Company All rights reserved.

Item	Qty.	Description Variation No.	Part No.	Item	Qty.	Description Variation No.	Part No.
1	1	Filter, oil 1,2	223604				
2	1	Nipple, threaded 1,2	223638				
3	1	Dipstick 1	223429				
	1	Dipstick 2	223443				
4	1	O-ring 1,2	223454				
5	1	Nipple, threaded 1	223502				
	1	Nipple, threaded 2	223542				
6	1	Nut, 1/2-13 1,2	#				

John Deere 4239DL and 4239TL

Group 11a Starter Motor



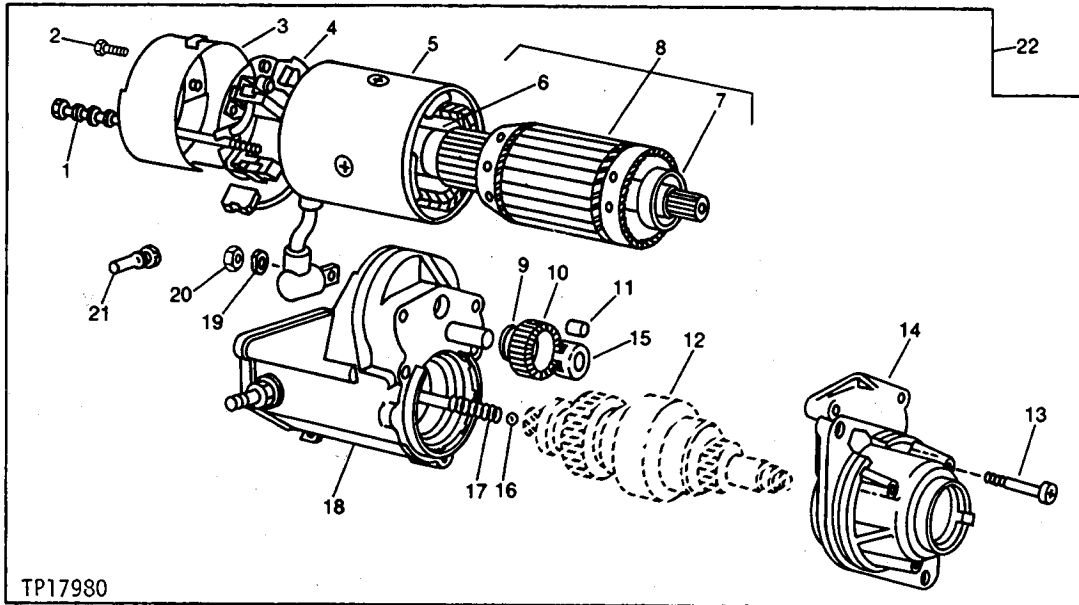
TP12774

Reproduced by permission of Deere & Company,
© 1988 Deere & Company All rights reserved.

Item	Qty.	Description Variation No.	Part No.	Item	Qty.	Description Variation No.	Part No.
1	1	Motor, starter 1	223569				
2	2	Screw, 3/8 -16 x 1-1/4" cap 1	#				
3	3	Washer, 3/8" lock 1	#				
4	1	Stud 1	#				
5	1	Nut, 3/8-16 1	#				
6	1	Washer, M10 lock 1	#				
7	1	Nut, M10 1	#				
8	1	Washer, M5 lock 1	#				
9	1	Screw, M5 x 10 1	#				

John Deere 4239DL and 4239TL

Group 11b Starter Motor Components

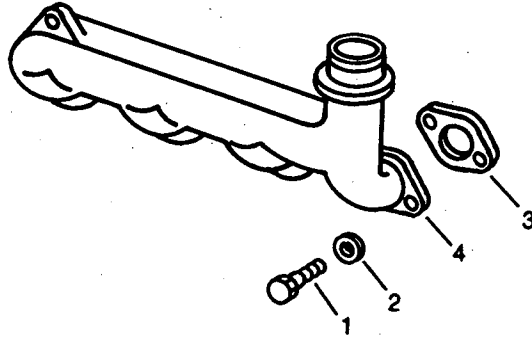


Reproduced by permission of Deere & Company,
© 1988 Deere & Company All rights reserved.

Item	Qty.	Description Variation No.	Part No.	Item	Qty.	Description Variation No.	Part No.
1	2	Bolt 1	X	12	1	Clutch 1	223580
2	2	Screw 1	#	13	3	Screw 1	#
3	1	Frame 1	X	14	1	Housing 1	X
4	1	Holder 1	X	15	1	Retainer 1	X
5	1	Yoke 1	X	16	1	Ball 1	X
6	1	Bearing, ball 1	X	17	1	Spring 1	X
7	1	Bearing, ball 1	X	18	1	Switch 1	X
8	1	Armature 1	X	19	1	Washer 1	#
9	1	Washer 1	X	20	1	Nut 1	#
10	1	Pinion 1	X	21	1	Cover 1	X
11	1	Roller 1	X	22	1	Starter 1	223569

John Deere 4239DL and 4239TL

Group 12 Exhaust Manifold



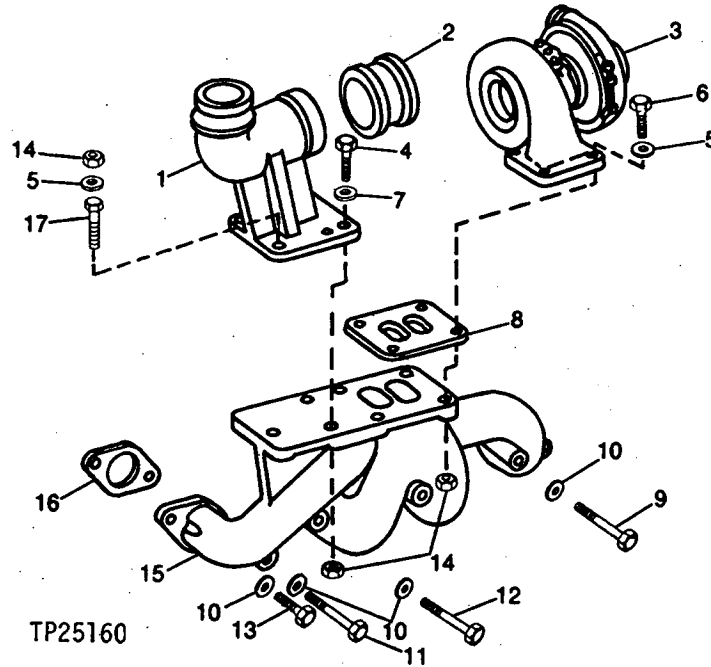
TP12126

Reproduced by permission of Deere & Company,
© 1988 Deere & Company All rights reserved.

Item	Qty.	Description Variation No.	Part No.	Item	Qty.	Description Variation No.	Part No.
1	8	Screw, 3/8-16 x 1-1/4" cap 1	#				
2	7	Washer, 13/32 x 23/32 x .12" plain 1	#				
3	4	Gasket 1	223547				
4	1	Manifold, exhaust 1	223623				

John Deere 4239DL and 4239TL

Group 12 Exhaust Manifold

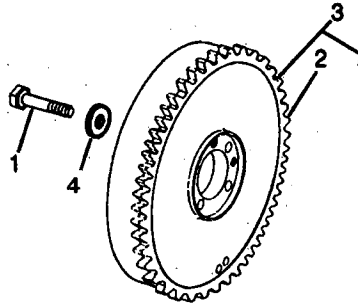


Reproduced by permission of Deere & Company,
© 1988 Deere & Company All rights reserved.

Item	Qty.	Description Variation No.	Part No.	Item	Qty.	Description Variation No.	Part No.
1	1	Fitting, elbow 2	223495	11	1	Screw, 3/8-16 x 4" cap 2	#
2	1	Adapter 2	223464	12	2	Screw, 3/8-16 x 5" cap 2	#
3		see Group 50b		13	3	Screw, 3/8-16 x 1-1/4" cap 2	#
4	3	Screw, 3/8-16 x 1-1/2" cap 2	#	14	7	Nut, 3/8-16 2	#
5	5	Washer, 13/32 x 13/16 x .06" plain 2	#	15	1	Manifold, exhaust 2	223478
6	4	Screw, 3/8-16 x 1-3/4" cap 2	#	16	4	Gasket 2	223547
7	4	Washer, 13/32 x 13/16 x .06" plain 2	#	17	2	Screw 2	#
8	1	Gasket 2	223483				
9	2	Screw, 3/8-16 x 4-1/4" cap 2	#				
10	8	Washer, 13/32 x 23/32 x .12" plain 2	#				

John Deere 4239DL and 4239TL

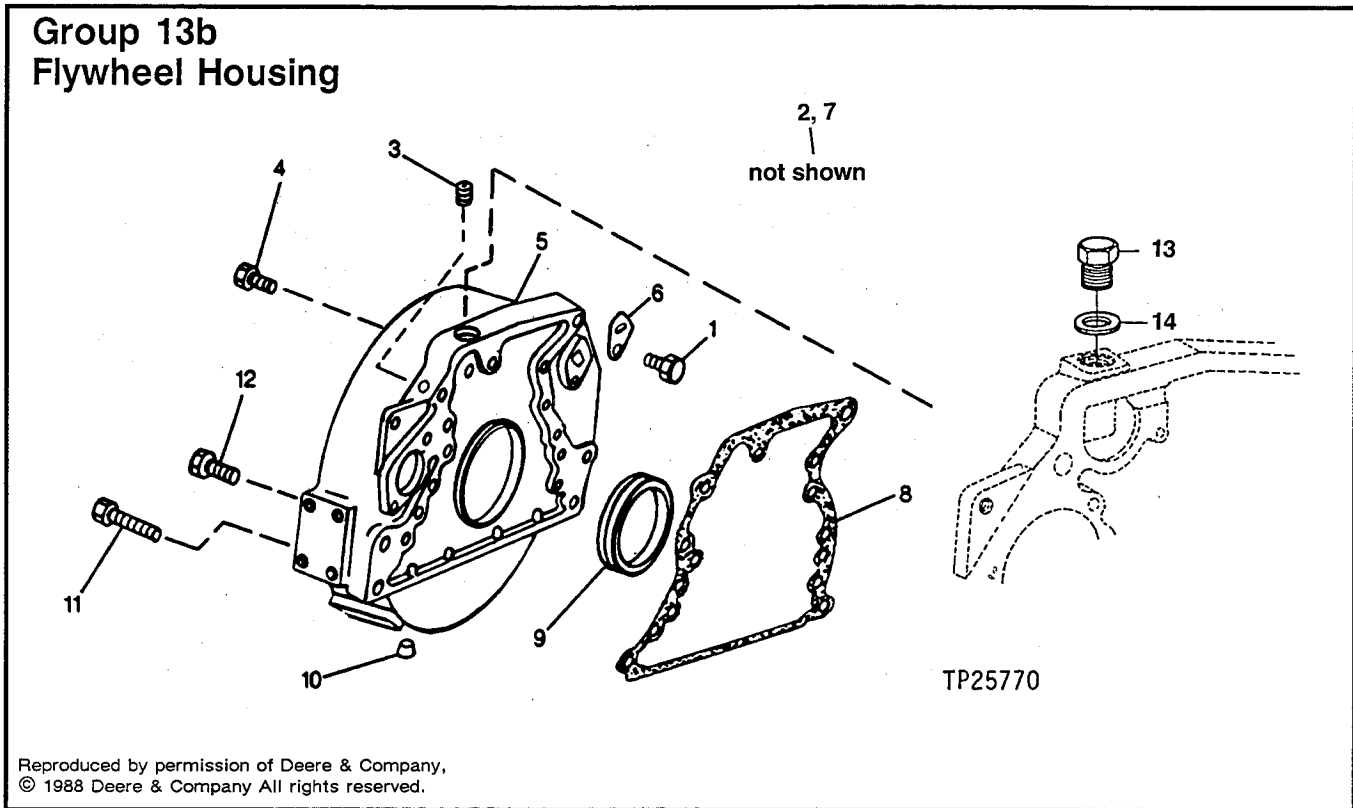
Group 13a Flywheel



Reproduced by permission of Deere & Company,
© 1988 Deere & Company All rights reserved.

Item	Qty.	Description Variation No.	Part No.	Item	Qty.	Description Variation No.	Part No.
1	4	Screw, 1/2-13 x 1-1/2" Grade 8 cap 1	#				
2	1	Gear (142 teeth) 1	223613				
3	1	Flywheel 1	223446				
4	4	Washer 1	#				

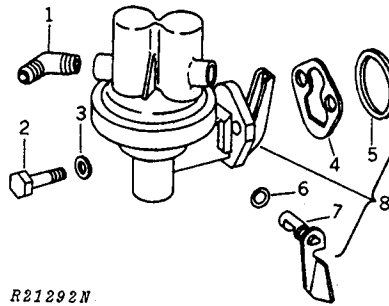
John Deere 4239DL and 4239TL



Item	Qty.	Description Variation No.	Part No.	Item	Qty.	Description Variation No.	Part No.
1	1	Screw, 1/2-13 x 1/2" 1	#	11	2	Screw, 5/8-11 x 5-1/2" cap 1	#
2			not used	12	8	Screw, 5/8-11 x 1-3/8" cap 1	#
3	1	Plug, pipe 1/8NPT 1	#	13	1	Plug, pipe 1	223451
4	1	Screw, 5/8-11 x 2-1/4" upper left 1)	#	14	1	Washer (seal) 1	223449
	1	Screw, 5/8-11 x 2-1/2" upper right 1	#				
5	1	Housing, flywheel 1	223561				
6	1	Cover 1	223614				
7			not used				
8	1	Gasket, flywheel housing 1	223558				
9	1	Seal 1	223583				
10	1	Plug 1	223641				

John Deere 4239DL and 4239TL

Group 14 Fuel Pump



Reproduced by permission of Deere & Company,
© 1988 Deere & Company All rights reserved.

Item	Qty.	Description Variation No.	Part No.	Item	Qty.	Description Variation No.	Part No.
1	1	Fitting, elbow 90 deg. 1	223534				
2	2	Screw, 5/16-18 x 1-1/4" cap 1	#				
3	2	Washer, aluminum 1	#				
4	1	Gasket 1	223557				
5	1	Washer (seal) 1	223468				
6	1	O-ring 1	X				
7	1	Lever 1	X				
8	1	Pump, fuel 1	223585				

Common Hardware, Procure Locally
X Not Sold Separately

John Deere 4239DL and 4239TL

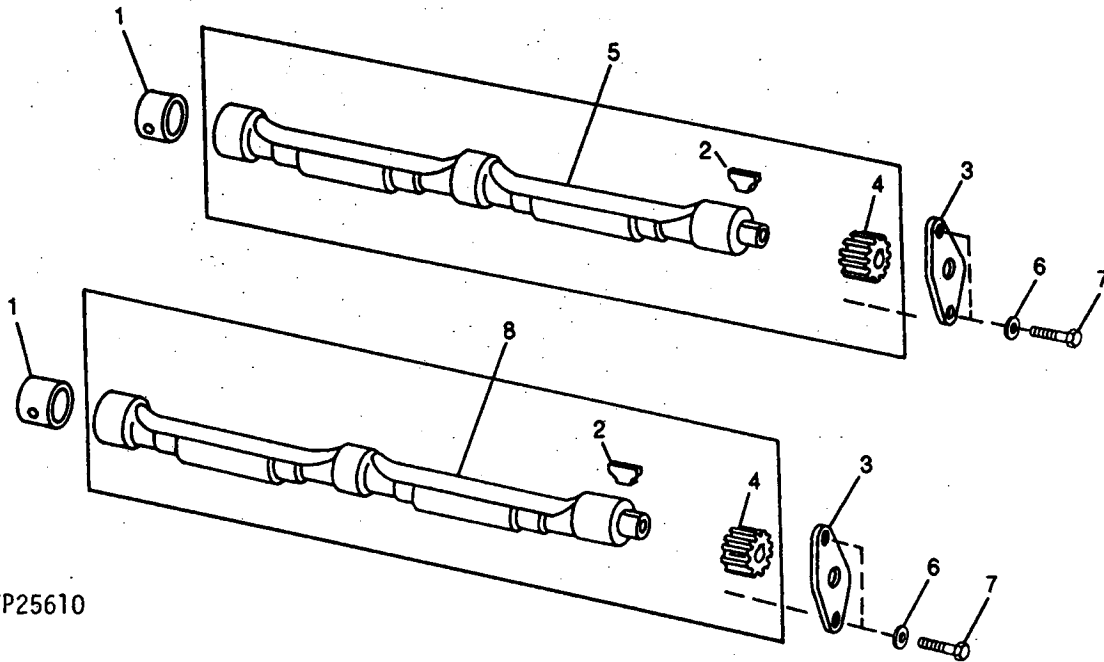
Group 15 Fuel Filter

Item	Qty.	Description Variation No.	Part No.	Item	Qty.	Description Variation No.	Part No.
1	3	Screw, 3/8-16 x 7/8" cap 1	#	18	1	Nut, 5/16-18 1,2	#
	1	Screw, 5/16-18x 7/8" cap 2	#	19	1	Screw, 3/8-16 x 1/2" 1,2	#
2	1	Strap 1	223492	20	1	Screw, 5/16-18 x 7/8" 1,2	#
	1	Bracket 2	223469	21	2	Washer, 11/32 x 5/8 x .06" 1,2	#
3	1	Line, oil 1,2	223581	22	1	Washer, 5/16" lock 1,2	#
4	1	Clamp 1	#				
	1	Clip 2	#				
5	2	Washer, 11/32 x 11/16 x .06" 1,2	#				
6	3	Washer, 13/32 x 13/16 x .06" 1,2	#				
7	1	Nut, 3/8-16 1	#				
	1	Nut, 5/16-18 2	#				
8	2	Washer 1,2	#				
9	2	Plug, drain 1,2	223467				
10	1	Line, fuel 1, 2	223418				
11	2	Fitting, hose 1,2	223646				
12	1	Clamp 1,2	223505				
13	1	Filter, fuel 1,2	223414				
14	1	Fitting 1,2	223457				
15	1	Plug, pipe 1/8 1,2	#				
16	1	Housing 1,2	223413				
17	1	Bracket 2	223469				

Common Hardware, Procure Locally
X Not Sold Separately

John Deere 4239DL and 4239TL

Group 16 Balancer Shafts



TP25610

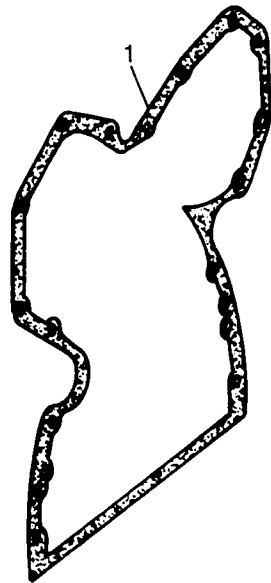
Reproduced by permission of Deere & Company,
© 1988 Deere & Company All rights reserved.

Item	Qty.	Description Variation No.	Part No.	Item	Qty.	Description Variation No.	Part No.
1	6	Bushing (std.)	223494				
	1						
	6	Bushing (O/S)	223550				
	1						
2	1	Key, shaft	223654				
	1						
3	2	Stop (plate)	223622				
	1						
4	1	Gear, RH (12 teeth)	223618				
	1						
	1	Pinion, LH (12 teeth)	223619				
	1						
5	1	Shaft, RH	223416				
	1						
6	4	Washer, 3/8" lock	#				
	1						
7	4	Screw, 3/8-16 x 5/8" cap	#				
	1						
8	1	Shaft, LH	223417				
	1						

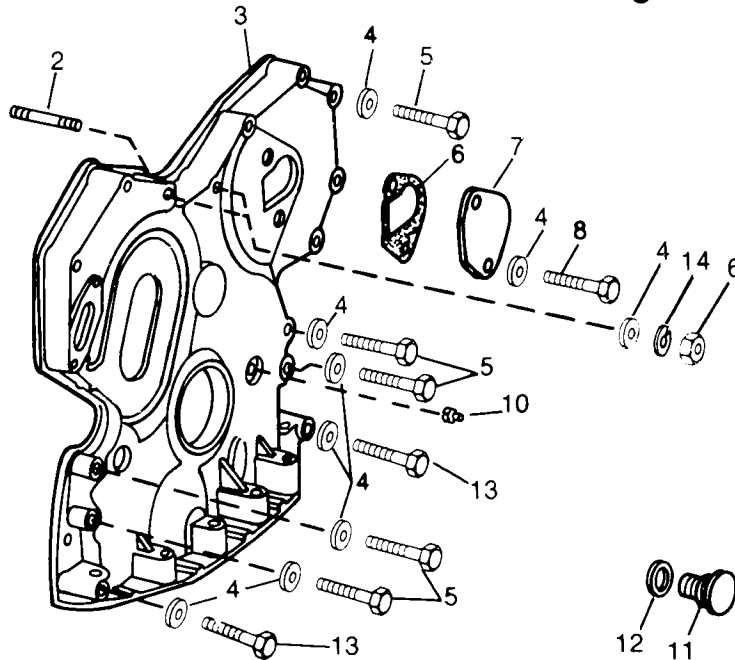
Common Hardware, Procure Locally
X Not Sold Separately

John Deere 4239DL and 4239TL

Group 18 Timing Gear Cover



TP22840



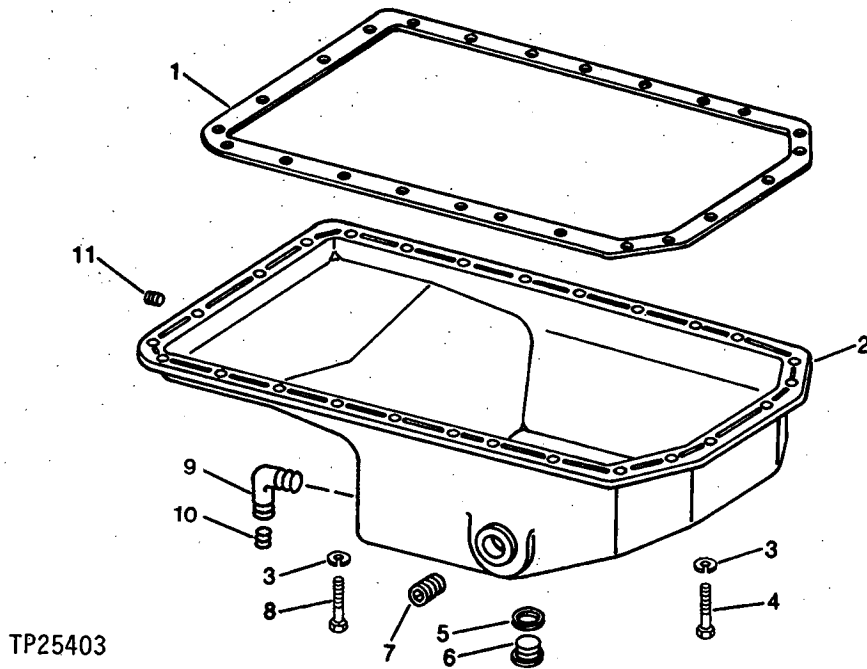
Reproduced by permission of Deere & Company,
© 1988 Deere & Company All rights reserved.

Item	Qty.	Description Variation No.	Part No.	Item	Qty.	Description Variation No.	Part No.
1	2	Gasket 1	223620	11	1	Plug, fitting 1	223653
2	2	Stud 1	223662	12	1	Washer, aluminum (seal) 1	223410
3	1	Cover w/inserts 1	223586	13	2	Screw, 3/8-16 x 2-1/2" 1	#
4	16	Washer, 13/32 x 23/32 x .12" 1	#	14	2	Washer, 3/8" lock 1	#
5	10	Screw, 3/8-16 x 1-7/8" cap 1	#				
6	1	Gasket 1	223515				
7	1	Cover 1	223637				
8	2	Screw, 3/8-16 x 7/8" cap 1	#				
9	2	Nut, 3/8-16 1	#				
10	1	Plug, pipe 1/4NPT countersunk 1	#				

Common Hardware, Procure Locally
X Not Sold Separately

John Deere 4239DL and 4239TL

Group 21a Oil Pan

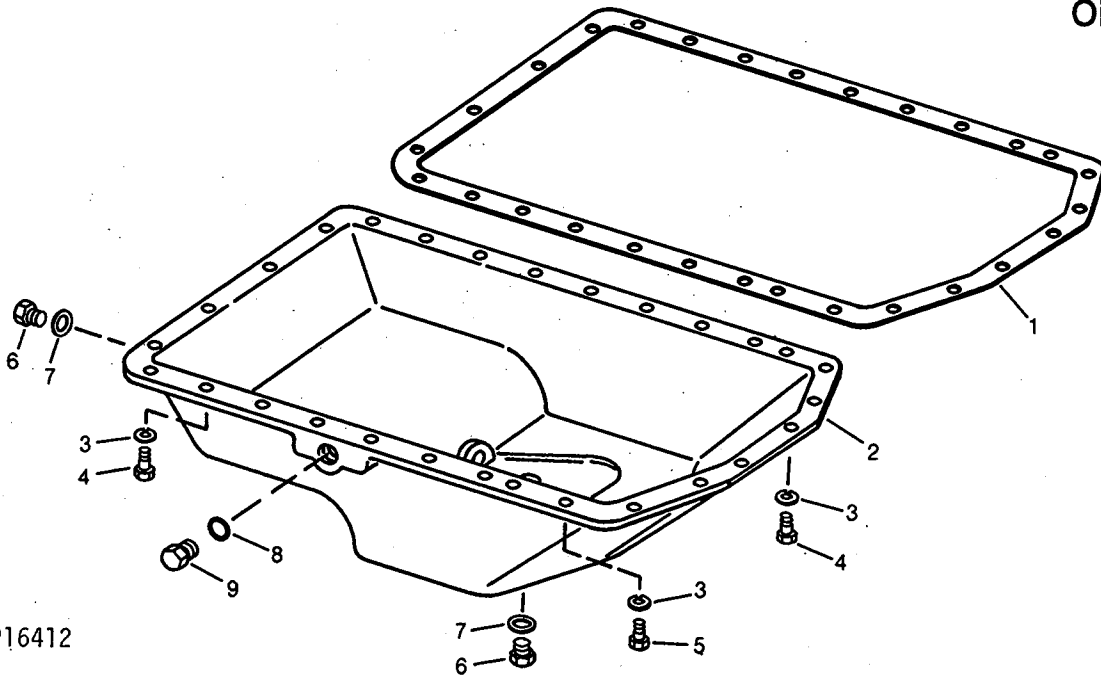


Reproduced by permission of Deere & Company,
© 1988 Deere & Company All rights reserved.

Item	Qty.	Description Variation No.	Part No.	Item	Qty.	Description Variation No.	Part No.
1	1	Gasket, oil pan 1	223645	11	1	Plug, pipe 1/2NPT 1	#
2	1	Pan, oil 1	223420				
3	28	Washer, lock 1	#				
4	6	Screw, 3/8-16 x 7/8" 1	#				
5	1	Washer (seal) 1	223603				
6	1	Plug, drain 1	223616				
7	1	Plug, pipe 3/4NPT recess. hex 1	#				
8	22	Screw, 3/8-16 x 3/4" 1	#				
9	1	Fitting, elbow 1	223404				
10	1	Plug, pipe 1/2NPT 1	#				

John Deere 4239DL and 4239TL

Group 21a Oil Pan



TP16412

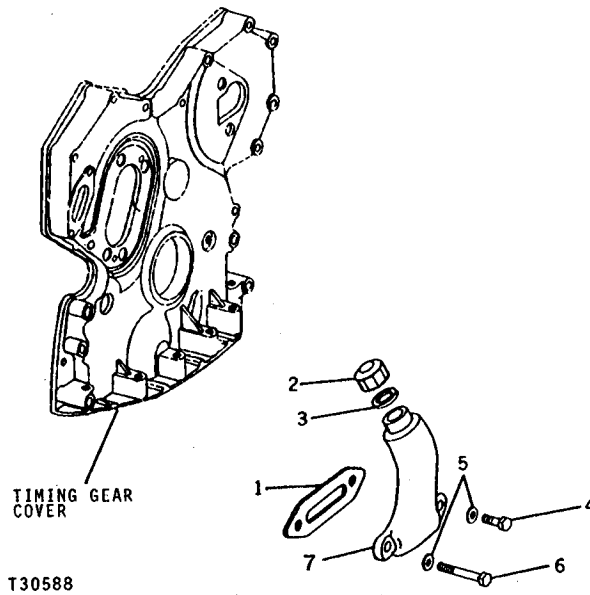
Reproduced by permission of Deere & Company,
© 1988 Deere & Company All rights reserved.

Item	Qty.	Description Variation No.	Part No.	Item	Qty.	Description Variation No.	Part No.
1	1	Gasket, oil pan 2	223555				
2	1	Pan, oil 2	223535				
3	28	Washer, 3/8" lock 2	#				
4	20	Screw, 3/8-16 x 1-1/4" cap 2	#				
5	8	Screw, 3/8-16 x 2" cap 2	#				
6	2	Plug, drain 2	223451				
7	2	Washer (seal) 2	223603				
8	2	O-ring 2	223466				
9	2	Plug, drain 2	223458				

Common Hardware, Procure Locally
X Not Sold Separately

John Deere 4239DL and 4239TL

Group 21b Oil Fill Tube



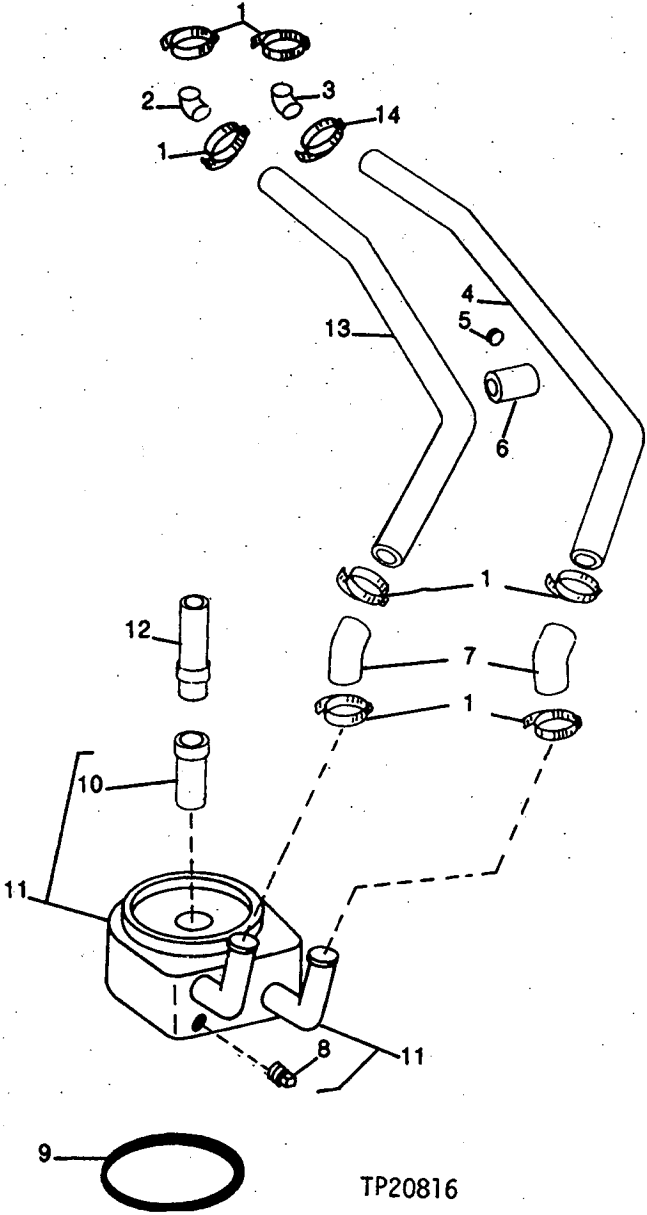
Reproduced by permission of Deere & Company,
© 1988 Deere & Company All rights reserved.

Item	Qty.	Description Variation No.	Part No.	Item	Qty.	Description Variation No.	Part No.
1	1	Gasket 1	223559				
2	1	Plug 1	223549				
3	1	Gasket 1	223636				
4	1	Screw, 3/8-16 x 1-5/8 cap 1	#				
5	2	Washer, 13/32 x 23/32 x .12" 1	#				
6	1	Screw, 3/8-16 x 3" 1	#				
7	1	Neck, filler 1	223584				

NOTES

John Deere 4239DL and 4239TL

Group 21c Oil Cooler



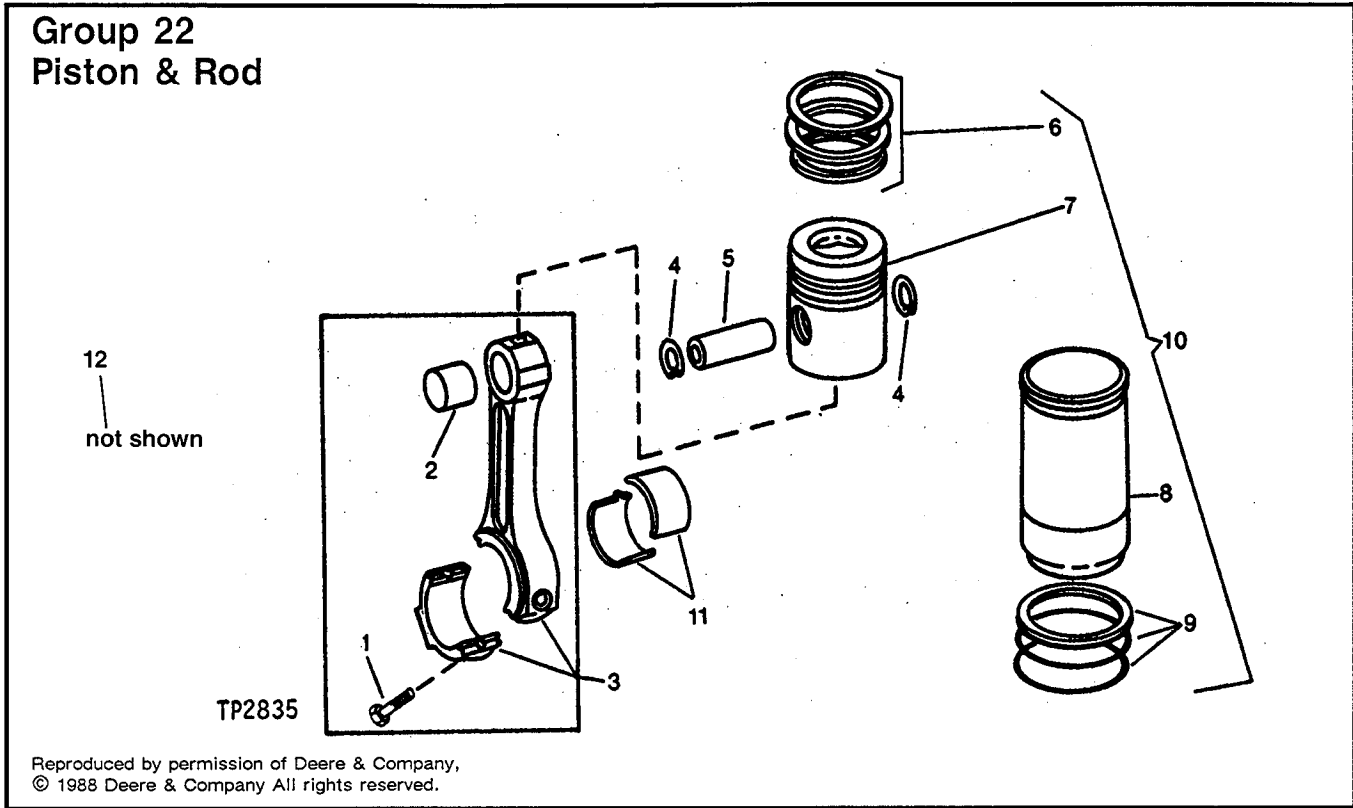
Reproduced by permission of Deere & Company,
© 1988 Deere & Company All rights reserved.

John Deere 4239DL and 4239TL

Group 21c Oil Cooler

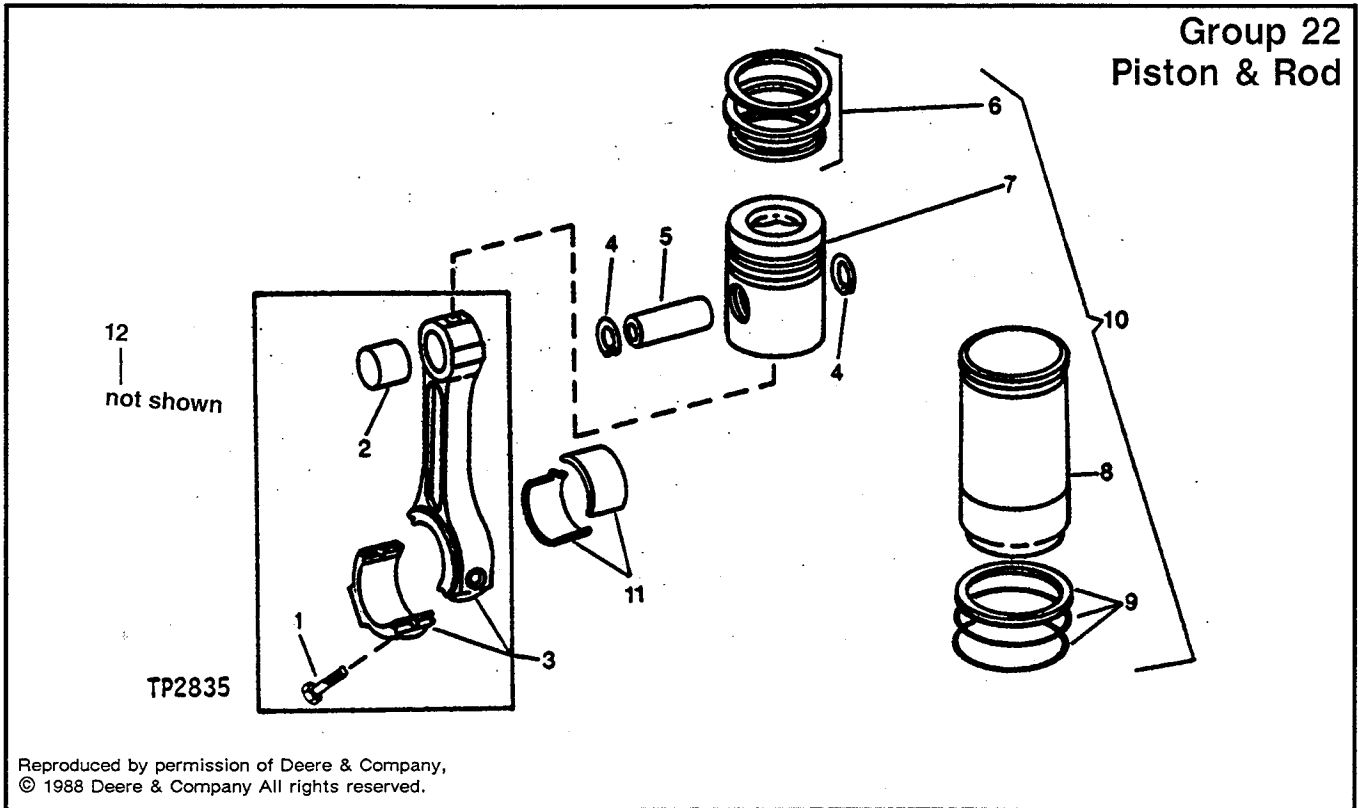
Item	Qty.	Description Variation No.	Part No.	Item	Qty.	Description Variation No.	Part No.
1	7	Clamp 1	#				
2	1	Hose, .625 ID x 1.0 OD x 20" 1	#				
3	1	Hose, .625 ID x 1.0 OD x 20" 1	#				
4	1	Tube, lower 1	223510				
5	1	Washer 1	X				
6	1	Clamp 1	X				
7	2	Hose 1	223482				
8	1	Plug, drain 1	223493				
9	1	Washer (seal) 1	223506				
10	1	Valve, relief 1	223514				
11	1	Cooler, oil 1	223562				
12	1	Nipple, threaded 1	223661				
13	1	Tube, upper 1	223509				
14	1	Clamp 1	#				
<p>NOTE: Item 3 Hose, cut for proper fit.</p>							

John Deere 4239DL and 4239TL



Item	Qty.	Description Variation No.	Part No.	Item	Qty.	Description Variation No.	Part No.
1	8	Screw, connecting rod 1	223528	8	4	Liner, cylinder 1	X
2	4	Bushing 1	223484	9	4	O-ring kit 1	X
3	4	Rod, connecting 1	223579	10	4	Piston assembly kit 1	223589
4	8	Ring, snap 1	223452	11	4	Bearing (set of 2) std. 1	223441
5	4	Pin, piston 1	223473		4	Bearing (set of 2) .002" U/S 1	223437
6	4	Ring kit, piston (set of 3) 1	223565		4	Bearing (set of 2) .010" U/S 1	223438
7	4	Piston 1	223571		4	Bearing (set of 2) .020" U/S 1	223439
					4	Bearing (set of 2) .030" U/S 1	223440
				12	1	Lubricant 1	223415

John Deere 4239DL and 4239TL

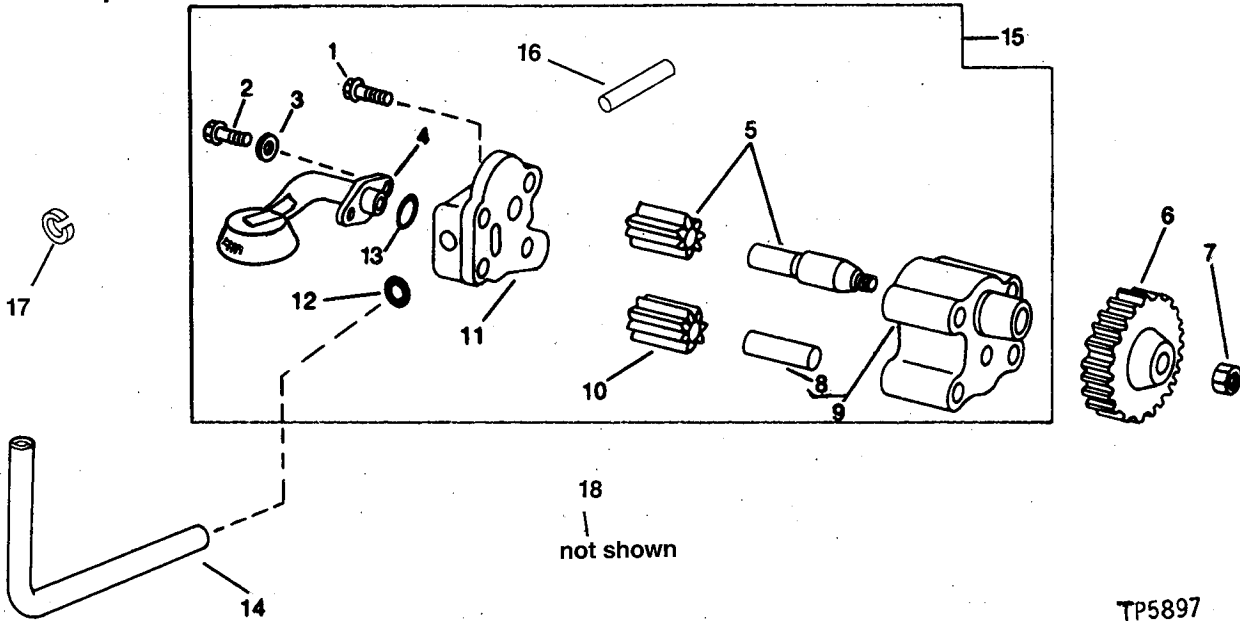


Reproduced by permission of Deere & Company,
© 1988 Deere & Company All rights reserved.

Item	Qty.	Description Variation No.	Part No.	Item	Qty.	Description Variation No.	Part No.
1	8	Screw, connecting rod 2	223528	8	4	Liner, cylinder 2	X
2	4	Bushing 2	223451	9	4	O-ring kit 2	X
3	4	Rod, connecting 2	223567	10	4	Piston assembly kit 2	223594
4	8	Ring, snap 2	223479	11	4	Bearing (set of 2) std. 2	223423
5	4	Pin, piston 2	223488		4	Bearing (set of 2) .002" U/S 2	223425
6	4	Ring kit, piston (set of 3) 2	223565		4	Bearing (set of 2) .010" U/S 2	223426
7	4	Piston 2	223570		4	Bearing (set of 2) .020" U/S 2	223427
					4	Bearing (set of 2) .030" U/S 2	223428
				12	1	Lubricant 2	223415

John Deere 4239DL and 4239TL

Group 25 Oil Pump



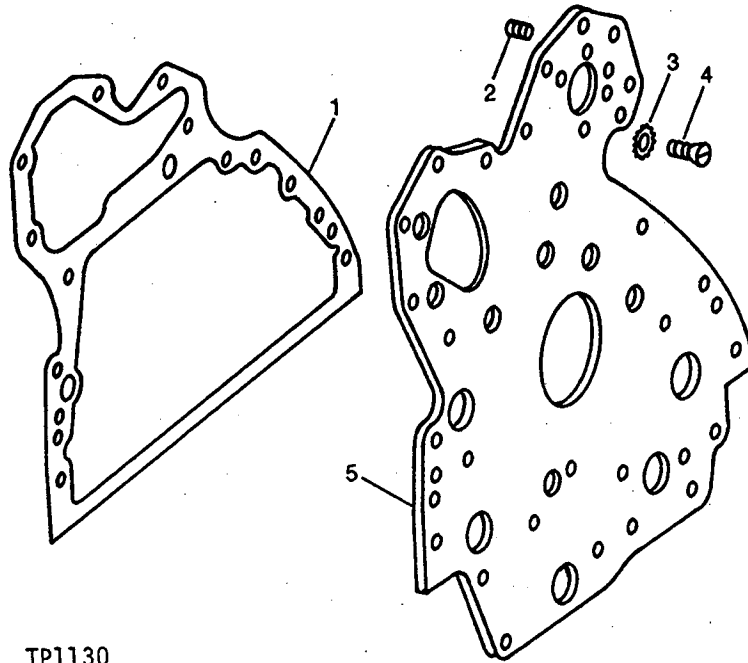
TP5897

Reproduced by permission of Deere & Company,
© 1988 Deere & Company All rights reserved.

Item	Qty.	Description Variation No.	Part No.	Item	Qty.	Description Variation No.	Part No.
1	2	Screw 1	#	11	1	Cover 1	X
2	2	Screw 1	#	12	1	O-ring 1	223511
3	2	Washer, plain 1	#	13	1	O-ring 1	X
4	1	Intake, oil pump 1	X	14	1	Tube, oil (outlet) 1	223608
5	1	Pinion 1	X	15	1	Pump kit, oil and pickup 1	223421
6	1	Gear (33 teeth) 1	223631	16	1	Pin, groove 1	X
7	1	Nut, 1/2-13 1	#	17	4	Washer, 3/8" lock 1	#
8	1	Pin, dowel 1	#	18	1	Pump kit, oil 1	223596
9	1	Housing 1	X	NOTE: Item 15 Oil Pump Kit and Pickup includes Items 1-5, 8-13, and 16. Item 18 Oil Pump Kit includes Items 3, 5, 7-13, and 16.			
10	1	Gear (7 teeth) 1	X				

John Deere 4239DL and 4239TL

Group 26 Front Plate

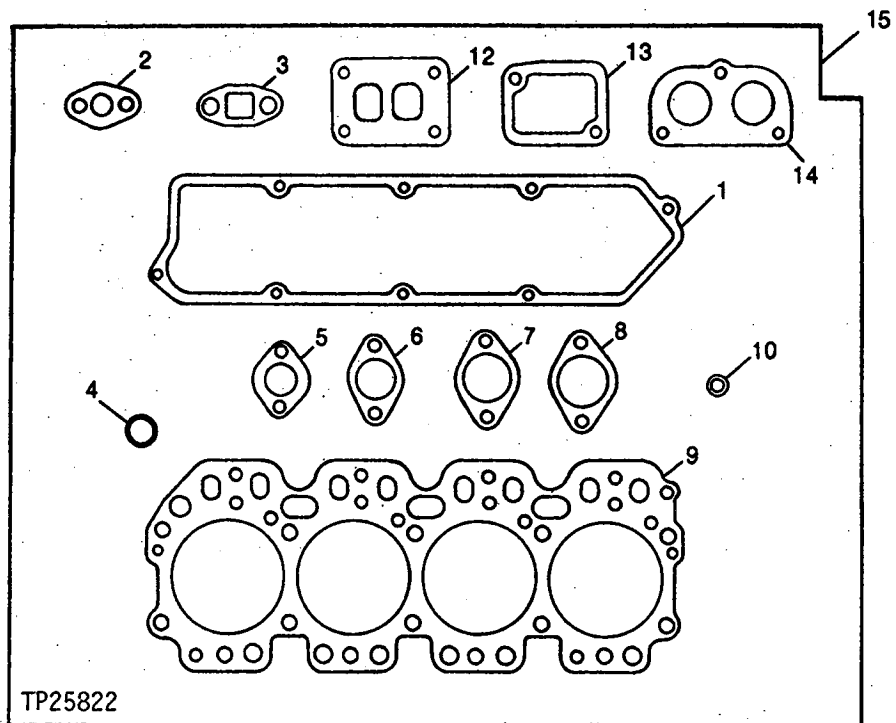


Reproduced by permission of Deere & Company,
© 1988 Deere & Company All rights reserved.

Item	Qty.	Description Variation No.	Part No.	Item	Qty.	Description Variation No.	Part No.
1	1	Gasket 1,2	223548				
2	8	Screw, set 1,2	223442				
	2	Screw, set 1,2	223445				
3	5	Washer, 3/8 ext. tooth lock 1,2	#				
4	5	Screw 1,2	#				
5	1	Plate 1	223566				
	1	Plate 2	223487				

John Deere 4239DL and 4239TL

Group 39a Cylinder Head Gaskets



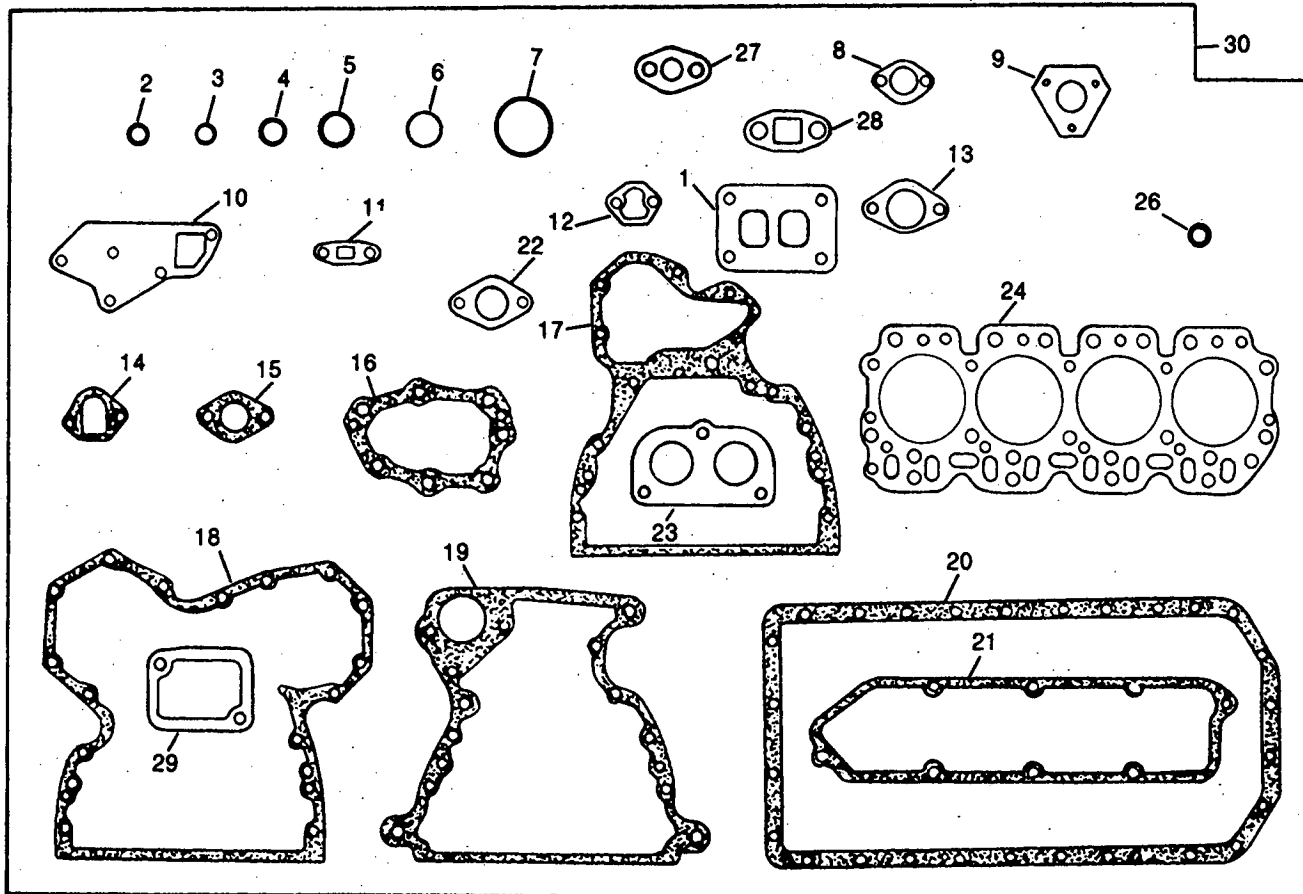
Reproduced by permission of Deere & Company,
© 1988 Deere & Company All rights reserved.

Item	Qty.	Description Variation No.	Part No.	Item	Qty.	Description Variation No.	Part No.
1	1	Gasket, rocker arm cover 1,2	223508	11			not used
2	1	Gasket, turbo oil inlet adapter 2	X	12	1	Gasket, turbocharger 2	223483
3	1	Gasket, turbocharger mounting 2	223556	13	1	Gasket, dual thermo. housing 2	not used
4	1	O-ring, vent tube 1,2	223493	14	1	Gasket, dual thermo. cover 2	not used
5	1	Gasket, single thermo. housing 1,2	223627	15	1	Gasket set 1,2	223600
6	4	Gasket, exhaust manifold 1,2	223547				
7	1	Gasket, thermostat cover 1,2	223626				
8	1	Gasket, air inlet 1,2	223532				
9	1	Gasket, cylinder head 1,2	223530				
10	8	O-ring, valve stem 1,2	223543				

NOTES

John Deere 4239DL and 4239TL

Group 39b Overhaul Gasket Kit



TP25819

31, 32, 33

not shown

Reproduced by permission of Deere & Company,
© 1988 Deere & Company All rights reserved.

John Deere 4239DL and 4239TL

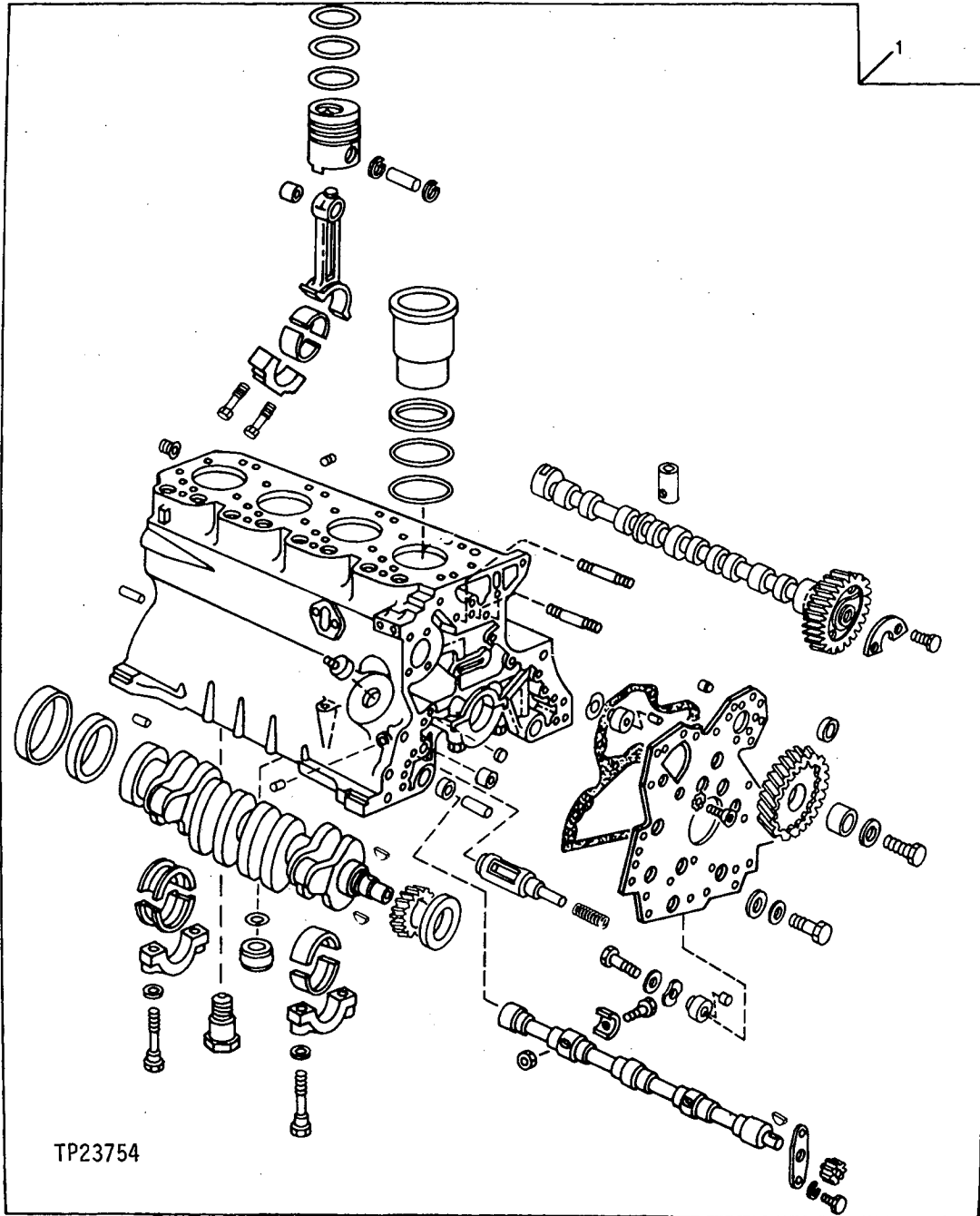
Group 39b Overhaul Gasket Kit

Item	Qty.	Description Variation No.	Part No.	Item	Qty.	Description Variation No.	Part No.
1	1	Gasket, turbocharger 2	223483	21	1	Gasket, rocker arm cover 1,2	223508
2	1	Washer, tach. drive shaft 1,2	not used	22	1	Gasket, single thermo. cover 1,2	223626
3	1	Washer, oil drain plug 1,2	223603	23	1	Gasket, dual thermo. cover 2	not used
4	1	Gasket, oil filler cap 1,2	223636	24	1	Gasket, cylinder head 1,2	223530
5	1	O-ring, vent tube 1,2	223491	25	4	O-ring, cylinder liner 1,2	223419
6	1	O-ring, oil pump tube outlet 1,2	223511	26	8	O-ring, valve stem 1,2	223543
7	1	Washer, oil cooler 1,2	223506	27	1	Gasket, turbo oil inlet 2	X
8	1	Gasket, thermostat housing 1,2	223627	28	1	Gasket, turbo oil outlet 2	223556
9	1	Gasket, fuel injection pump 1,2	X	29	1	Gasket, dual thermo. housing 2	not used
10	1	Gasket, water pump cover 1,2	223628	30	1	Gasket kit 1,2	223601
11	1	Gasket, oil filler inlet 1,2	223559	31	4	O-ring kit 1,2	223419
12	1	Gasket, fuel pump 1,2	223557	32	1	Seal, oil 1,2	223422
13	1	Gasket, air inlet 1,2	223532	33	1	Seal, oil 1,2	223583
14	1	Gasket, inj. pump gear cover 1,2	223515				
15	4	Gasket, exhaust manifold 1,2	223547				
16	1	Gasket, timing gear cover 1,2	X				
17	1	Gasket, cylinder block plate 1,2	223548				
18	1	Gasket, timing gear cover 1,2	223620				
19	1	Gasket, flywheel housing 1,2	223558				
20	1	Gasket, oil pan 1,2	223555				

NOTE: For a complete set of gaskets, order Items 30-33.

John Deere 4239DL and 4239TL

Group 42 Short Block



Reproduced by permission of Deere & Company,
© 1988 Deere & Company All rights reserved.

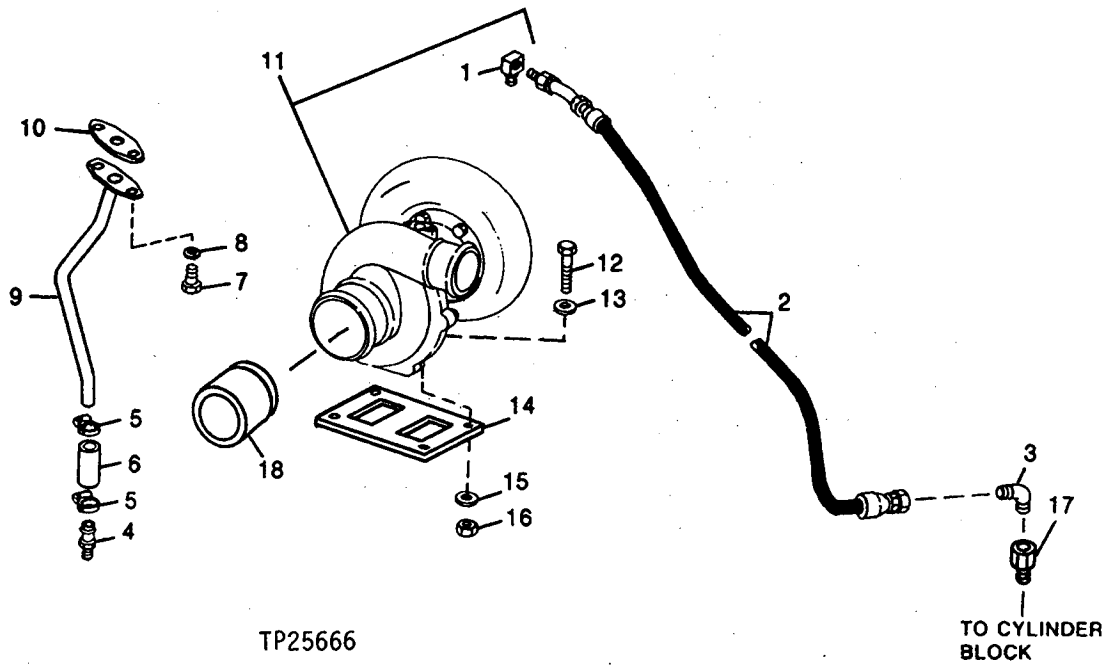
Item	Qty.	Description Variation No.	Part No.	Item	Qty.	Description Variation No.	Part No.
1	1	Block assembly, short 1	223588	1	1	Block assembly, short 2	223582

Common Hardware, Procure Locally
X Not Sold Separately

NOTES

John Deere 4239DL and 4239TL

Group 50a Turbocharger and Oil Lines



Reproduced by permission of Deere & Company,
© 1988 Deere & Company All rights reserved.

John Deere 4239DL and 4239TL

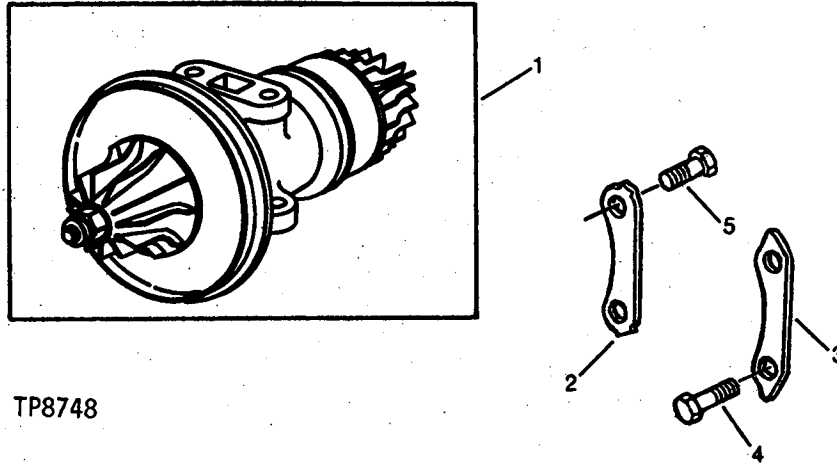
Group 50a Turbocharger and Oil Lines

Item	Qty.	Description Variation No.	Part No.	Item	Qty.	Description Variation No.	Part No.
1	1	Fitting, elbow 1	223602				
2	1	Hose 1	223590				
3	1	Fitting, elbow 1	223412				
4	1	Fitting, hose 1	223641				
5	2	Clamp 1	#				
6	1	Hose 1	223531				
7	2	Screw, 3/8 x 7/8" cap 1	#				
8	2	Washer, 3/8" lock 1	#				
9	1	Line, oil 1	223568				
10	1	Gasket 1	223556				
11	1	Turbocharger kit 1	223598				
12	4	Screw, 3/8-16 x 1-3/4" cap 1	#				
13	4	Washer, 13/32 x 13/16 x .06" 1	#				
14	1	Gasket 1	223483				
15	4	Washer, 3/8" lock 1	#				
16	4	Nut, 3/8-16 1	#				
17	1	Adapter, 3/8NPT 1	223405				
18	1	Adapter 1	223538				

Common Hardware, Procure Locally
X Not Sold Separately

John Deere 4239DL and 4239TL

Group 50b Turbocharger Center Housing Kit

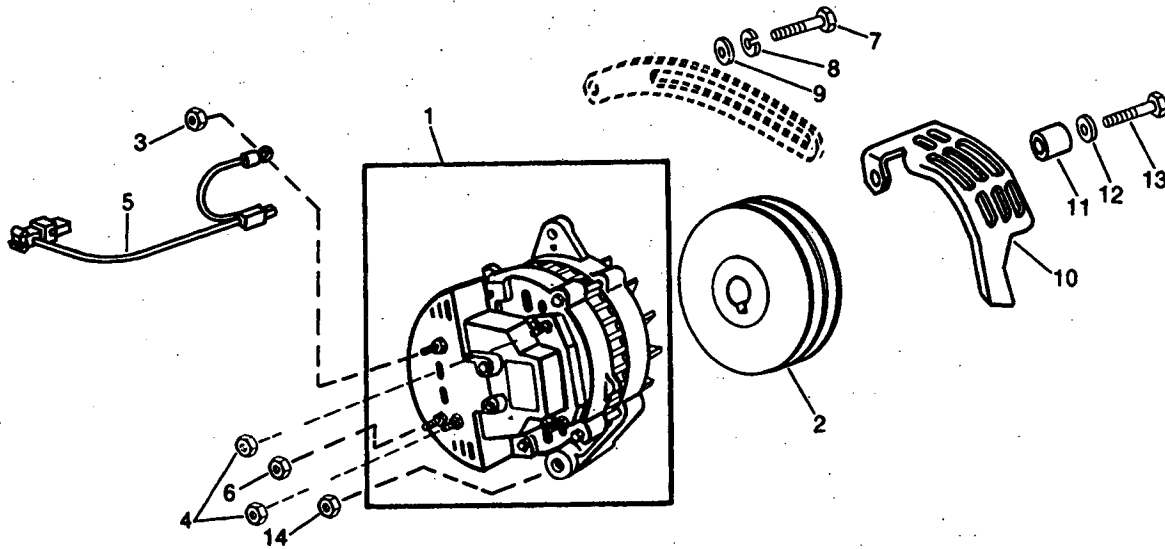


Reproduced by permission of Deere & Company,
© 1988 Deere & Company All rights reserved.

Item	Qty.	Description Variation No.	Part No.	Item	Qty.	Description Variation No.	Part No.
1	1	Housing, turbocharger center 1	X				
2	3	Plate, lock 1	X				
3	3	Plate, lock 1	X				
4	6	Screw 1	#				
5	6	Screw, 5/16-18 x 1/2" 1	#				

John Deere 4239DL and 4239TL

Group 51a Alternator



TP25135

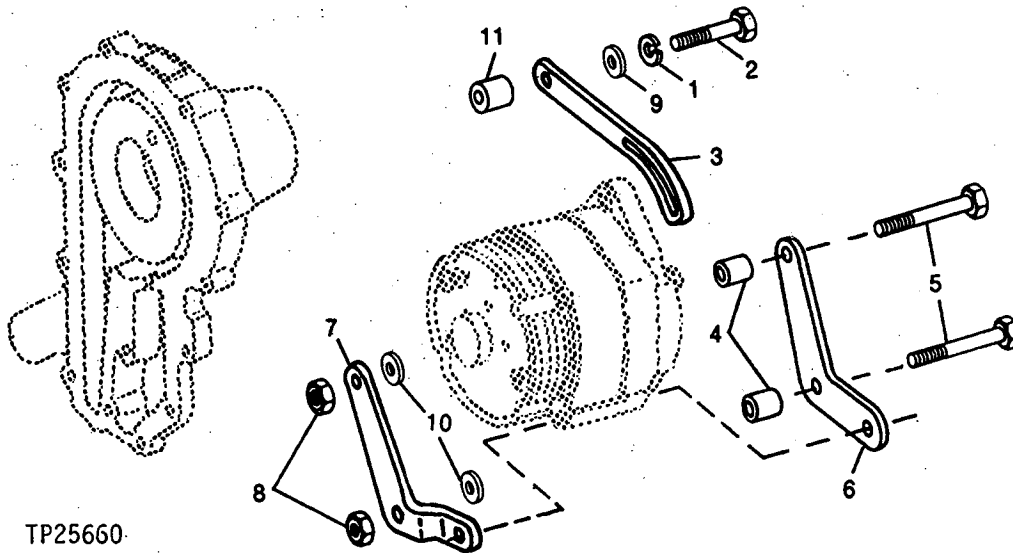
Reproduced by permission of Deere & Company,
© 1988 Deere & Company All rights reserved.

Item	Qty.	Description Variation No.	Part No.	Item	Qty.	Description Variation No.	Part No.
1	1	Alternator (rebuilt) 1	223663	11			not used
2	1	Pulley 1	223644	12	1	Washer, M10 lock 1	#
3	1	Nut, M6 lock 1	#	13	1	Screw, M10 x 75 cap 1	#
4	2	Nut, M5 1	#	14			not used
5	1	Harness, wiring 1	223434				
6	1	Nut, M5 1	#				
7	1	Screw, M8 x 25 cap 1	#				
8	1	Washer, 5/16" lock 1	#				
9	1	Washer, 11/32 x 1 x .194" plain 1	3				
10	1	Shield 1	223485				

Common Hardware, Procure Locally
X Not Sold Separately

John Deere 4239DL and 4239TL

Group 51b Alternator Brackets



TP25660

Reproduced by permission of Deere & Company,
© 1988 Deere & Company All rights reserved.

Item	Qty.	Description Variation No.	Part No.	Item	Qty.	Description Variation No.	Part No.
1	1	Washer, 3/8" lock 1	#				
2	1	Screw, 3/8-16 x 2-1/4" 1	#				
3	1	Strap 1	223625				
4	2	Spacer, 3/8 x 1" 1	#				
5	2	Screw, 3/8 x 3-1/2" 1	#				
6	1	Bracket 1	223624				
7	1	Bracket 1	223500				
8	2	Nut, 3/8-16 1	#				
9	1	Washer, 13/32 x 23/32 x .12" 1	#				
10	2	Washer, 13/32 x 23/32 x .12" 1	#				
11			not used				

TP-5368 3/93
PRINTED IN U.S.A.

KOHLER[®] POWER SYSTEMS

KOHLER CO. KOHLER, WISCONSIN 53044
PHONE 414-565-3381, TELEX 26888
FAX 414-459-1646 (North American Sales), 414-459-1614 (International)
FOR SALES & SERVICE IN U.S.A. & CANADA PHONE 1-800-544-2444