

KOHLER[®]

POWER SYSTEMS

parts listing for

John Deere
Diesel-Fueled Engine
6359TL Engine

(Generator Model: 80ROZJ)
(Generator Specs.: 189501–189509,
Early models only)

Series 189



TP-5370
11/91

MODEL NUMBER INDEX (cont'd.)

GROUP TITLE	Oil Fill Tube	Oil Cooler	Piston & Connecting Rod	Oil Pump	Front Plate	Overhaul Gasket Set	Tune-up Gasket Set
GROUP #	21b	21c	22	25	29	39a	39b
PAGE #	35	37	39	40	41	42	43
GRID #							
ENGINE 6359TL	1	1	1	1	1	1	1
GROUP TITLE	Short Block	Turbocharger	Turbo. Oil Lines	Alternator	Alternator Shield	Alternator Mounting	
GROUP #	42	50a	50b	51a	51b	51c	
PAGE #	44	44	47	49	51	52	
GRID #							
ENGINE 6359TL	1	1	1	1	1	1	
GROUP TITLE							
GROUP #							
PAGE #							
GRID #							
ENGINE							
GROUP TITLE							
GROUP #							
PAGE #							
GRID #							
ENGINE							

INTRODUCTION

This manual contains a complete listing of service replacement parts for John Deere diesel-fueled engine model 6359TL. The manual includes the following main sections in the sequence listed.

1. *Model Number Index:* Listing of engine model numbers arranged in numerical/alphabetical sequence on each page. Group variation numbers

are listed in the horizontal line to the right of each spec. number.

2. *Group Parts List:* Indicates specific parts for each specification. Illustrations of parts are shown for some of the various parts. Illustrations are keyed to the part numbers found in the parts group listings.

NUMBER SIGNIFICANCE

There are various numbers which must be used in the determining how to identify a part number. The significance of each of these numbers is explained as follows:

MODEL NUMBER: The engine number, which is found on the nameplate attached to the engine.

GROUP NUMBER: The group consists of related parts needed to provide one or more related functions.

GROUP VARIATION NUMBER: There may be various groupings of parts designed to provide the same function, however, with minor differences. Each of these differences necessitates the assignment of a group variation number. Example, dry air cleaner or oil bath air cleaner – both perform the same function, however, use different parts.

PART NUMBER: The part number is the number by which an individual piece of a generator set is identified and ordered.

HOW TO FIND PART NUMBERS

Following is a step-by-step procedure to be used in identifying and ordering a specific part.

Item to be ordered: STARTER MOTOR

STEP 1: Record the *Engine Model* number from the nameplate on the engine. (Sample: 6359TL)

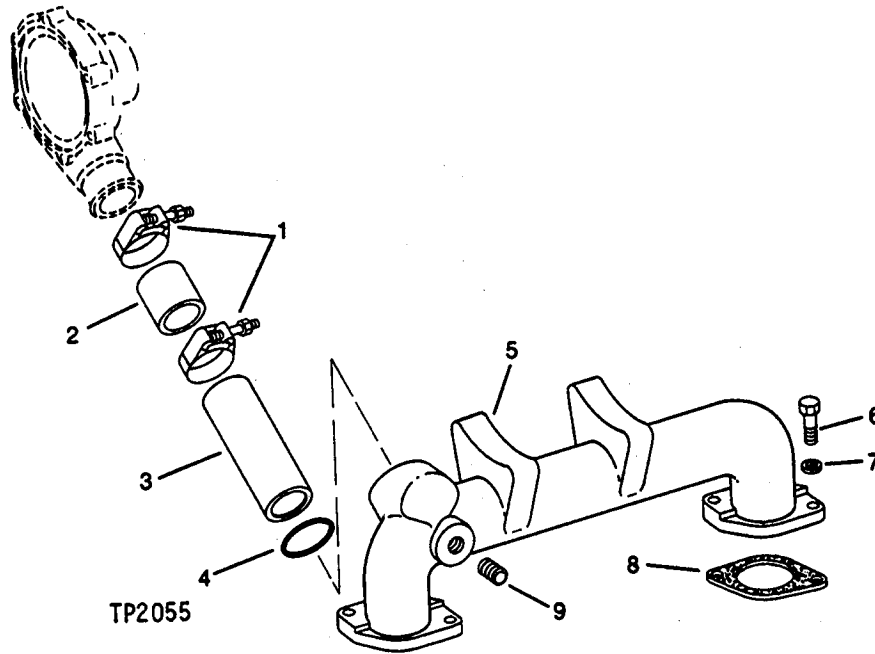
STEP 2: In the Model Number Index, find model

no. 6359TL in the left-hand vertical column. Under Group 11 – Starter Motor column, locate the variation number assigned to specification 6359TL. The variation number is 1.

STEP 3: Turn to Part Group 11 – Starter Motor. Note the Starter Motor is identified with Index Number 5 – under this number locate Variation 1. Starter Motor 224064 is assigned to this variation.

John Deere 6359TL

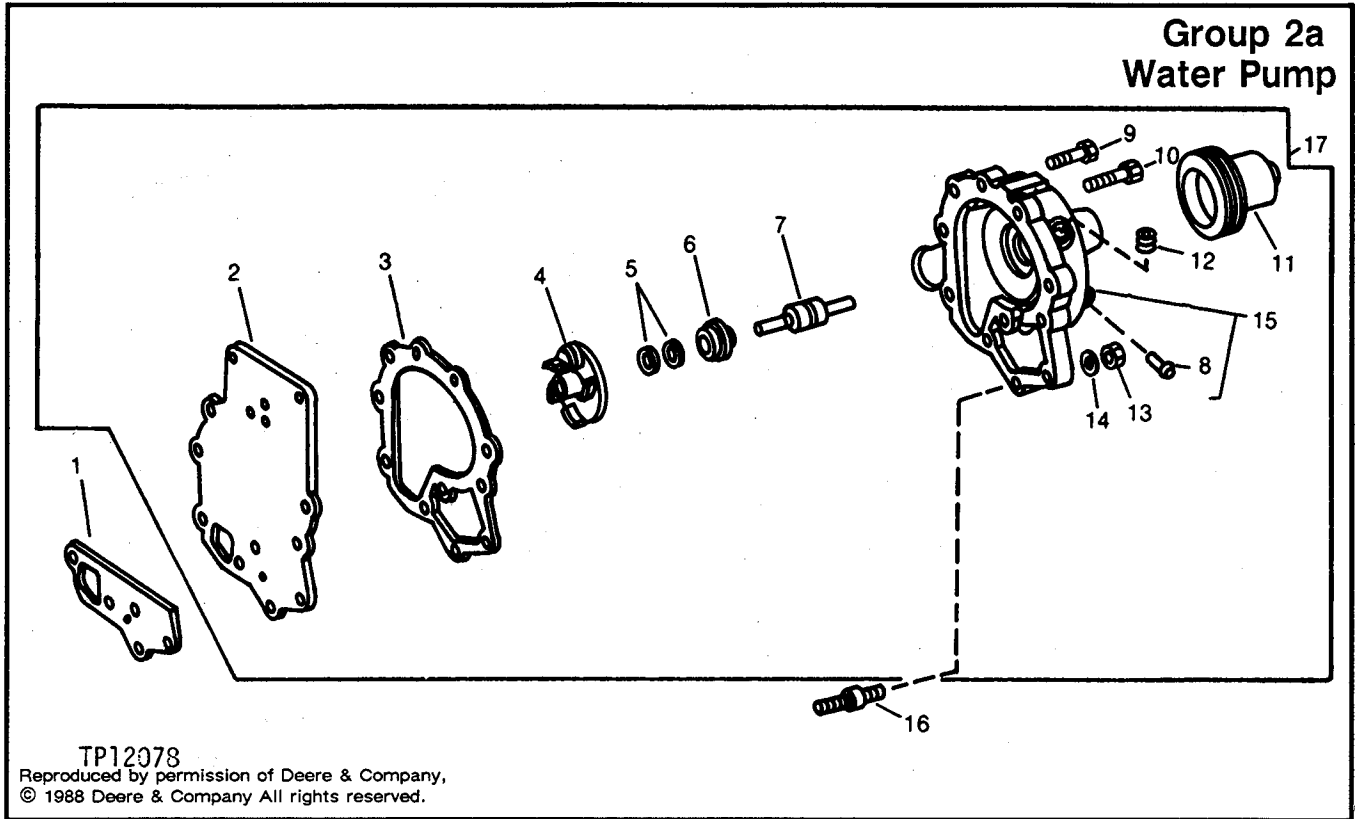
Group 1 Air Intake



Reproduced by permission of Deere & Company,
© 1988 Deere & Company All rights reserved.

Item	Qty.	Description Variation No.	Part No.	Item	Qty.	Description Variation No.	Part No.
1	2	Clamp 1	#				
2	1	Hose, 2 X 2-1/2 in. (51 x 64 mm) 1	#				
3	1	Tube 1	224031				
4	1	O-ring 1	224302				
5	1	Intake, air 1	224053				
6	4	Screw, 3/8-16 x 1-1/4" cap 1	#				
7	4	Washer, 3/8" lock 1	#				
8	2	Gasket 1	223532				
9	1	Plug, pipe 3/8NPT square head 1	#				

John Deere 6359TL



TP12078

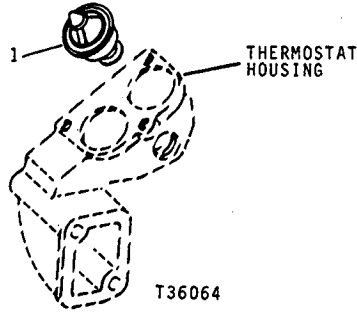
Reproduced by permission of Deere & Company,
© 1988 Deere & Company All rights reserved.

Item	Qty.	Description Variation No.	Part No.	Item	Qty.	Description Variation No.	Part No.
1	1	Gasket 1	223628	10	1	Screw, 3/8-16 x 2-1/4" 1	#
2	1	Cover 1	X		1	Screw, 3/8-16 x 1" 1	#
3	1	Gasket 1	224029	11	1	Pulley, fan 1	224030
4	1	Impeller 1	X	12	1	Plug, pipe 1/2NPT 1	#
5	1	Insert 1	X	13	1	Nut, 3/8-16 1	#
6	1	Seal 1	X	14	1	Washer, 3/8" lock 1	#
7	1	Bearing 1	X	15	1	Housing 1	X
8	1	Tube .66" (17 mm) 1	X	16	1	Stud 1	#
9	4	Screw, 3/8-16 x 1-1/2" cap 1	#	17	1	Pump, water 1	224002
	2	Screw, 3/8-16 x 2-1/2" cap 1	#				
	1	Screw, 3/8-16 x 1-3/4" cap 1	#				

Common Hardware, Procure Locally
X Not Sold Separately

John Deere 6359TL

Group 2b Thermostat

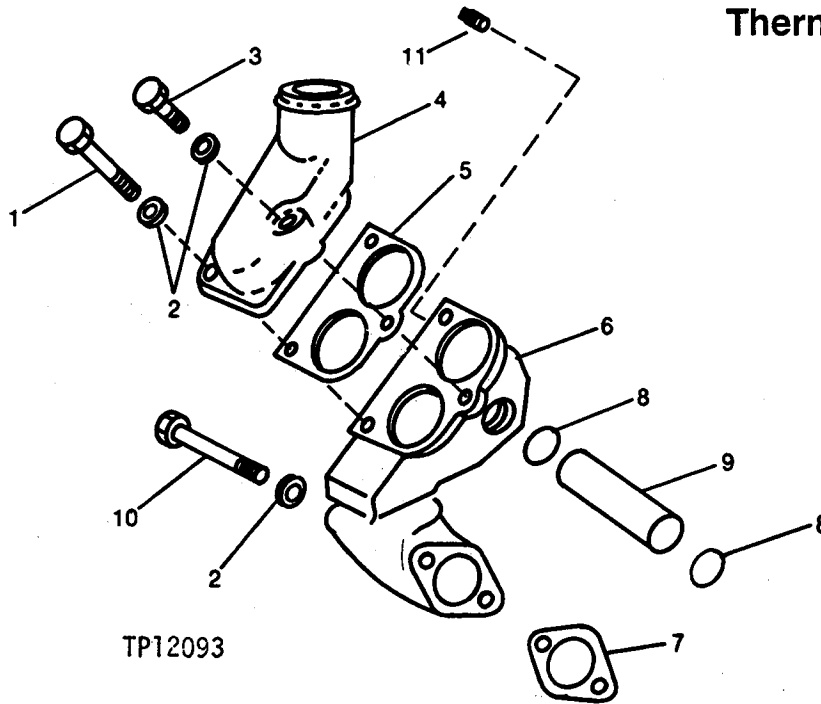


Reproduced by permission of Deere & Company,
© 1988 Deere & Company All rights reserved.

Item	Qty.	Description Variation No.	Part No.	Item	Qty.	Description Variation No.	Part No.
1	2	Thermostat 1	223676				

John Deere 6359TL

Group 2c Thermostat Housing



TP12093

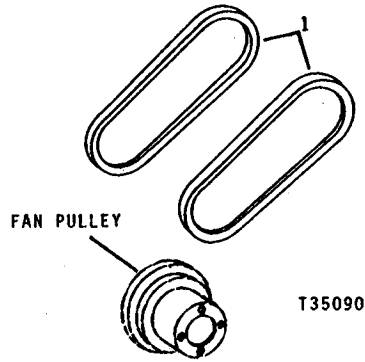
Reproduced by permission of Deere & Company,
© 1988 Deere & Company All rights reserved.

Item	Qty.	Description Variation No.	Part No.	Item	Qty.	Description Variation No.	Part No.
1	1	Screw, 3/8-16 x 2" cap 1	#	10	2	Screw, 3/8-16 x 4" 1	#
2	5	Washer, 3/8" lock 1	#	2	2	Screw, 3/8-16 x 3-1/2" 1	#
3	2	Screw, 3/8-16 x 1-1/4" 1	#	11	1	Plug, 1/2NPT pipe 1	#
4	1	Cover 1	224013				
5	1	Gasket 1	224012				
6	1	Housing 1	224036				
7	1	Gasket 1	224020				
8	2	O-ring 1	224028				
9	1	Tube (bypass) 1	224025				

Common Hardware, Procure Locally
X Not Sold Separately

John Deere 6359TL

Group 2d Fan Belt

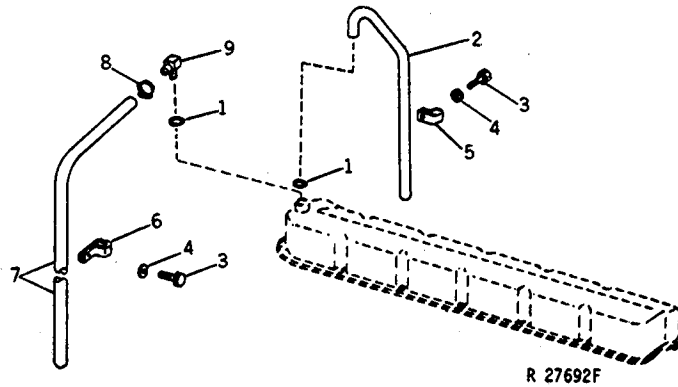


Reproduced by permission of Deere & Company,
© 1988 Deere & Company All rights reserved.

Item	Qty.	Description Variation No.	Part No.	Item	Qty.	Description Variation No.	Part No.
1	1	Belt set (matched set) 1	223995				

John Deere 6359TL

Group 3 Vent Tube



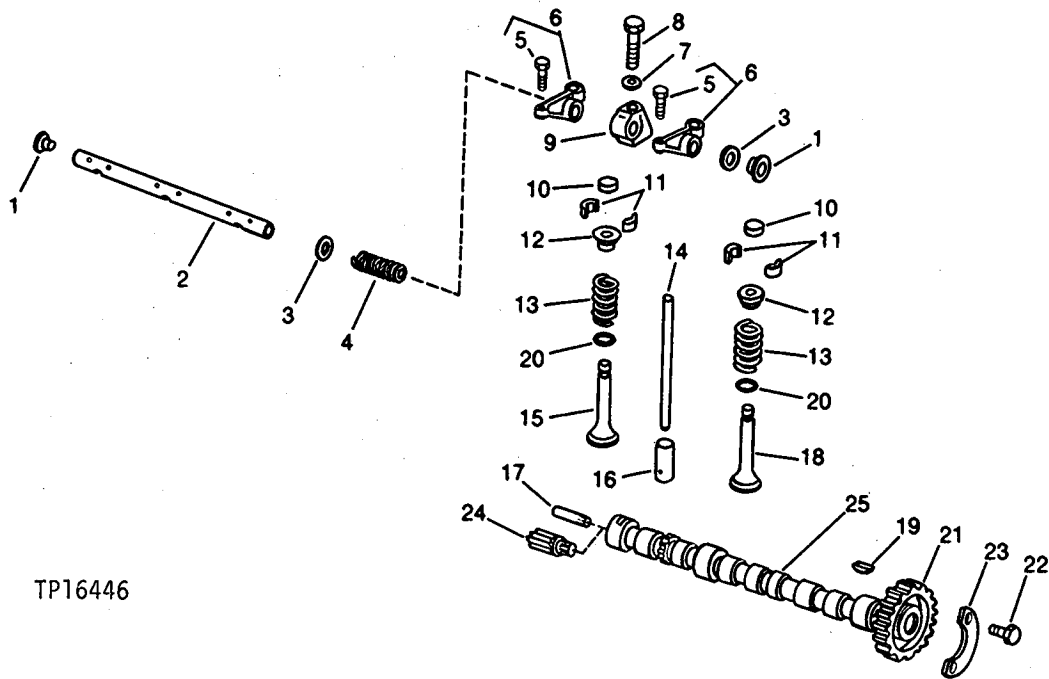
Reproduced by permission of Deere & Company,
© 1988 Deere & Company All rights reserved.

Item	Qty.	Description Variation No.	Part No.	Item	Qty.	Description Variation No.	Part No.
1	1	O-ring 1	223491				
2			not used				
3	1	Screw, 3/8-16 x 1/2" 1	#				
4	1	Washer, 13/32 x 11/16 x .06" 1	#				
5			not used				
6	1	Clamp 1	#				
7	1	Hose 1	224034				
8	1	Clamp 1	#				
9	1	Fitting 90 deg. 1	224005				

Common Hardware, Procure Locally
X Not Sold Separately

John Deere 6359TL

Group 4a Camshaft and Valves



TP16446

Reproduced by permission of Deere & Company,
© 1988 Deere & Company All rights reserved.

Common Hardware, Procure Locally
X Not Sold Separately

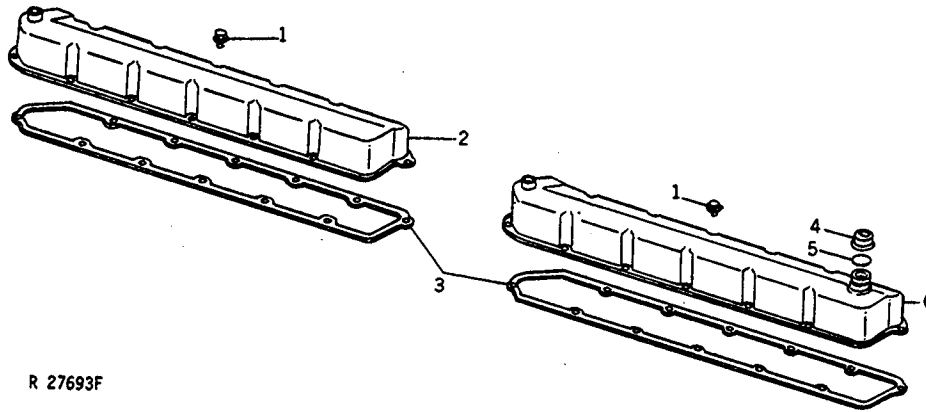
John Deere 6359TL

Group 4a Camshaft and Valves

Item	Qty.	Description Variation No.	Part No.	Item	Qty.	Description Variation No.	Part No.
1	2	Plug 1	223480	18	6	Valve, exhaust std. stem 1	223521
						AR Valve, exhaust .003" 1 (.08 mm) O/S stem	223522
2	1	Shaft, rocker arm 1	224021			AR Valve, exhaust .015" 1 (.38 mm) O/S stem	223523
3	2	Washer 1	223634			AR Valve, exhaust .030" 1 (.76 mm) O/S stem	223524
4	5	Spring 1	223632	19	1	Key, shaft 1	223654
5	12	Screw, set 1	X	20	12	O-ring (6 intake; 6 exhaust) 1	224008
6	12	Arm, rocker 1	224067	21	1	Gear 1	223609
7	6	Washer 1	223756	22	2	Screw, 3/8-16 x 1" cap 1	#
8	6	Screw, 3/8-16 x 2-1/2" 1	#	23	1	Plate 1	223610
9	6	Support 1	223633	24			not used
10	12	Cap 1	223617	25	1	Camshaft 1	224057
11	24	Retainer 1	23612				
12	12	Rotator 1	223563				
13	12	Spring 1	223455				
14	12	Rod, push 1	223537				
15	6	Valve, intake std. stem 1	224043				
		AR Valve, intake .003" (.08 mm) 1 O/S stem	224046				
		AR Valve, intake .015" (.38 mm) 1 O/S stem	224047				
		AR Valve, intake .030" (.76 mm) 1 O/S stem	224048				
16	12	Tappet 1	223611				
17			not used				

John Deere 6359TL

Group 4b Rocker Arm Cover



R 27693F

Reproduced by permission of Deere & Company,
© 1988 Deere & Company All rights reserved.

Item	Qty.	Description Variation No.	Part No.	Item	Qty.	Description Variation No.	Part No.
1	12	Screw, w/washer 1	#				
2	1	Cover, valve w-o/fill tube 1	X				
3	1	Gasket kit 1	223991				
4	1	Cap 1	223630				
5	1	Gasket 1	223636				
6	1	Cover, valve 1	224003				

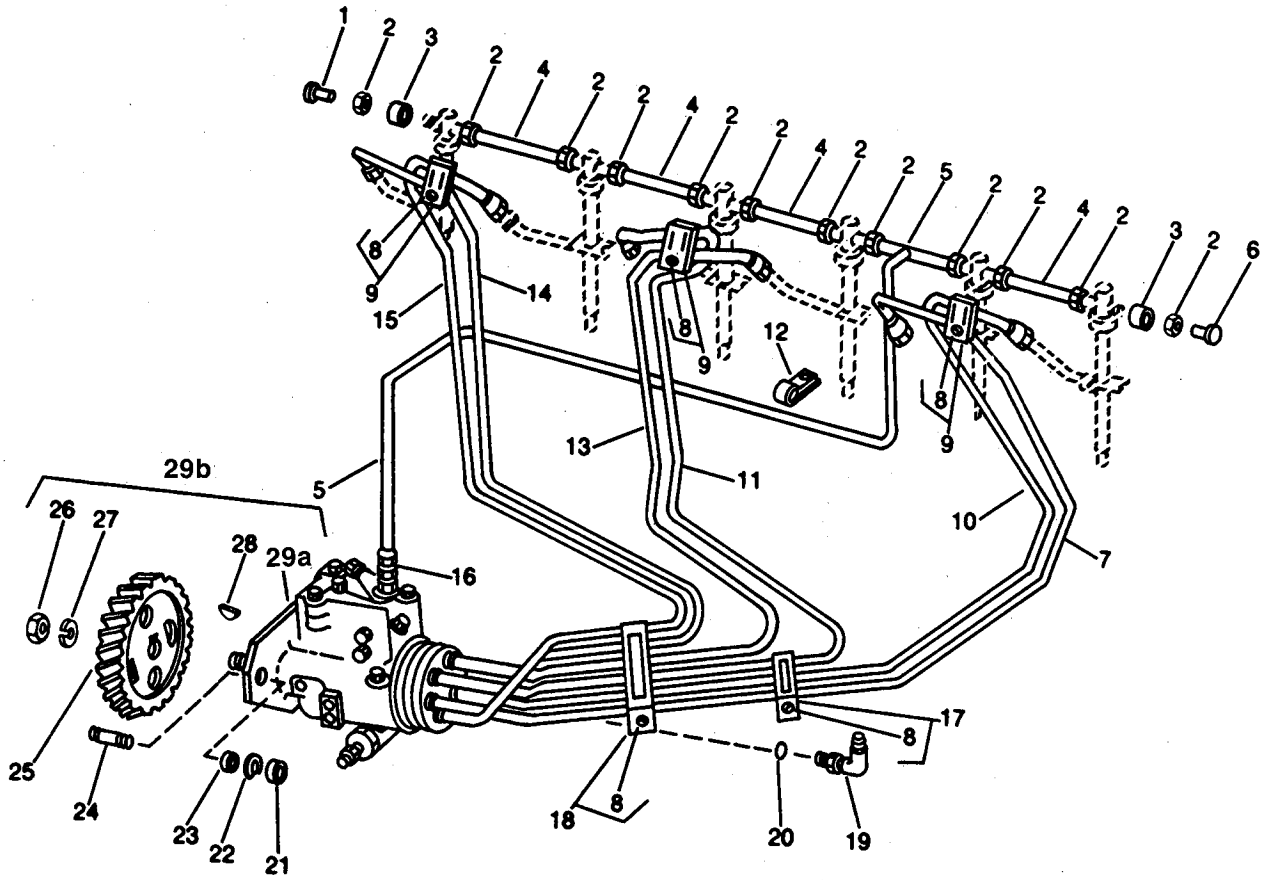
NOTE: If Item 2 is required, order Item 6.

Common Hardware, Procure Locally
X Not Sold Separately

NOTES

John Deere 6359TL

Group 5a Fuel Injection Pump



TP15162

Reproduced by permission of Deere & Company,
© 1988 Deere & Company All rights reserved.

John Deere 6359TL

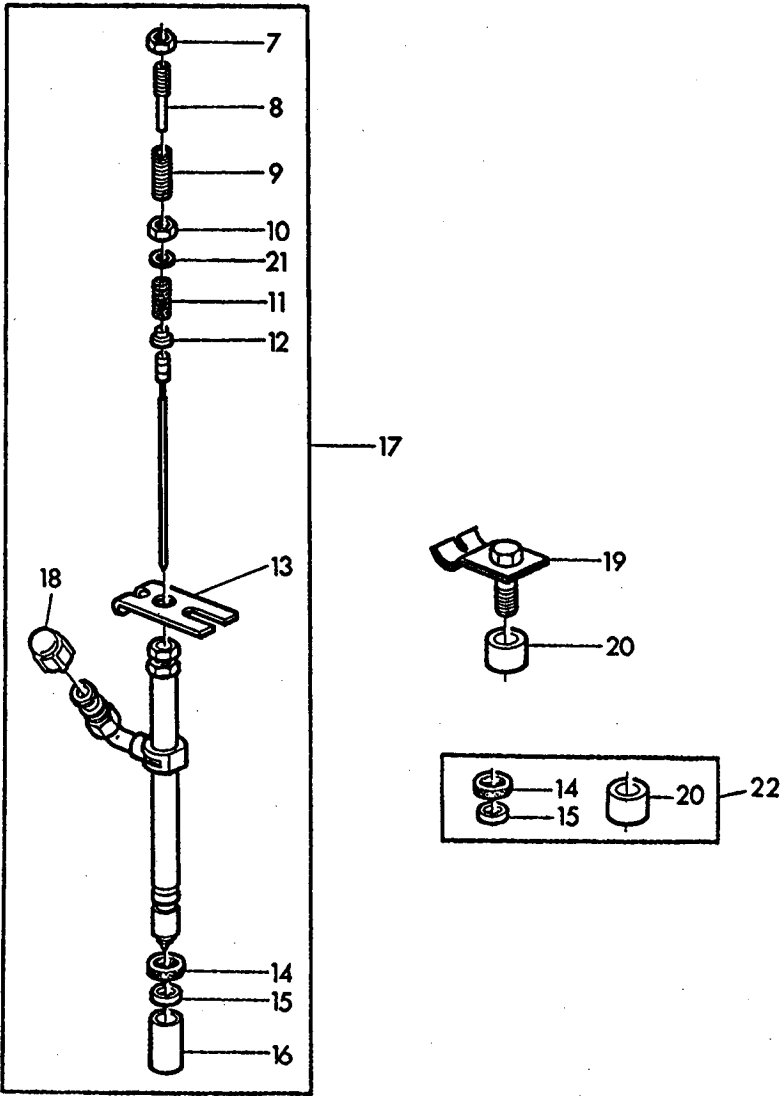
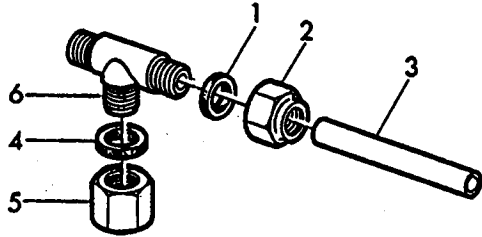
Group 5a Fuel Injection Pump

Item	Qty.	Description Variation No.	Part No.	Item	Qty.	Description Variation No.	Part No.
1	1	Rivet, 1/4 x 9/16" 1	#	21	3	Nut, 5/16-18 1	#
2	12	Fitting 1	223477	22	3	Washer, 5/16" lock 1	#
3	12	Packing (seal) 1	223476	23	3	Washer, 11/32 x 5/8 x .06" 1	#
4	4	Tube 1	223504	24	3	Stud 1	#
5	1	Line, fuel (leakoff) 1	224069	25	1	Gear 1	223486
6	1	Rivet, 1/4 x 5/8" 1	#	26	1	Nut 1	223489
7	1	Line, no. 5 fuel 1	224076	27	1	Washer, lock 1	#
8	5	Screw, M6 x 10 cap 1	#	28	1	Key, shaft 1	224027
9	3	Clamp 1	223572	29a	1	Pump, fuel injection 1	X
10	1	Line, no. 6 fuel 1	224077	29b	1	Pump, fuel injection 1	224086
11	1	Line, no. 3 fuel 1	224074				
12	1	Clamp 1	224097				
13	1	Line, no. 4 fuel 1	224075				
14	1	Line, no. 1 fuel 1	224072				
15	1	Line, no. 2 fuel 1	224073				
16	1	Fitting 1	223460				
17	1	Clamp 1	224071				
18	1	Clamp 1	224070				
19	1	Fitting, elbow 1	223447				
20	1	O-ring 1	223456				

NOTE: Item 29a Fuel Injection Pump does not include Items 26-28.
Item 29b Fuel Injection Pump includes Items 26-28.

John Deere 6359TL

Group 5b Fuel Injection Nozzle



CD 25722

Reproduced by permission of Deere & Company,
© 1988 Deere & Company All rights reserved.

John Deere 6359TL

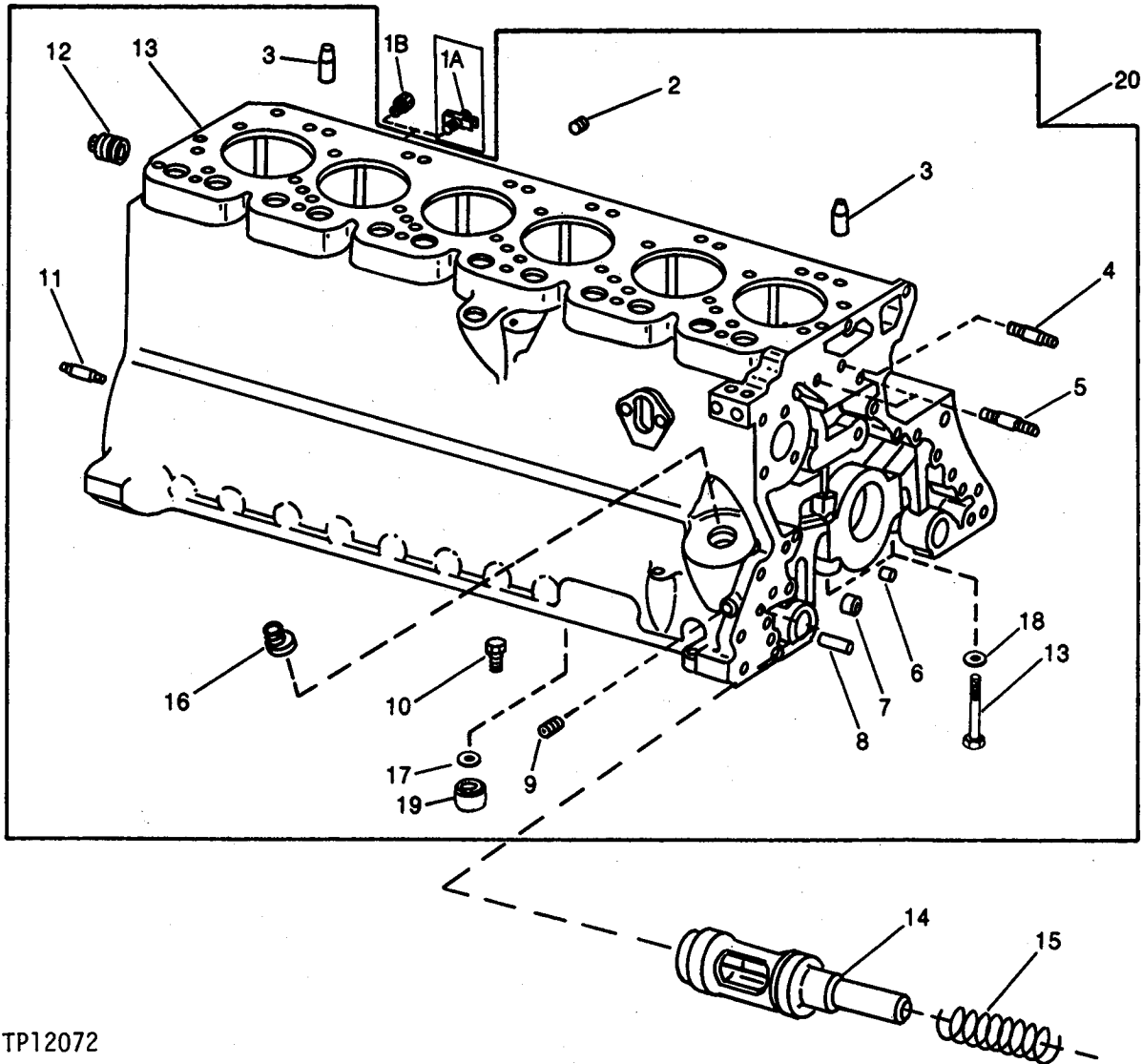
Group 5b Fuel Injection Nozzle

Item	Qty.	Description Variation No.	Part No.	Item	Qty.	Description Variation No.	Part No.
1	12	Packing (seal) 1	223476	21	1	Shim 1	X
2	12	Fitting 1	223477	22	AR	O-ring kit 1	223564
3	5	Tube 1	223504				
4	6	Sleeve 1	223518				
5	6	Nut, 9/16-12 1	#				
6	6	Fitting, tee 1	223519				
7	1	Nut, #10 lock 1	#				
8	1	Screw 1	X				
9	1	Screw 1	X				
10	1	Nut, 5/16-18 1	#				
11	1	Spring 1	X				
12	1	Guide 1	X				
13	1	Clamp 1	X				
14	1	Washer, .118 in. (3 mm) 1	X				
15	1	Washer, .074 in. (1.9 mm) 1	X				
16	AR	Plug 1	X				
17	6	Nozzle, injection 1	223591				
18	AR	Plug 1	223660				
19	6	Clamp 1	223459				
20	6	Spacer .492" (12.5 mm) 1	X				

Common Hardware, Procure Locally
X Not Sold Separately

John Deere 6359TL

Group 7 Cylinder Block



TP12072

Reproduced by permission of Deere & Company,
© 1988 Deere & Company All rights reserved.

Common Hardware, Procure Locally
X Not Sold Separately

John Deere 6359TL

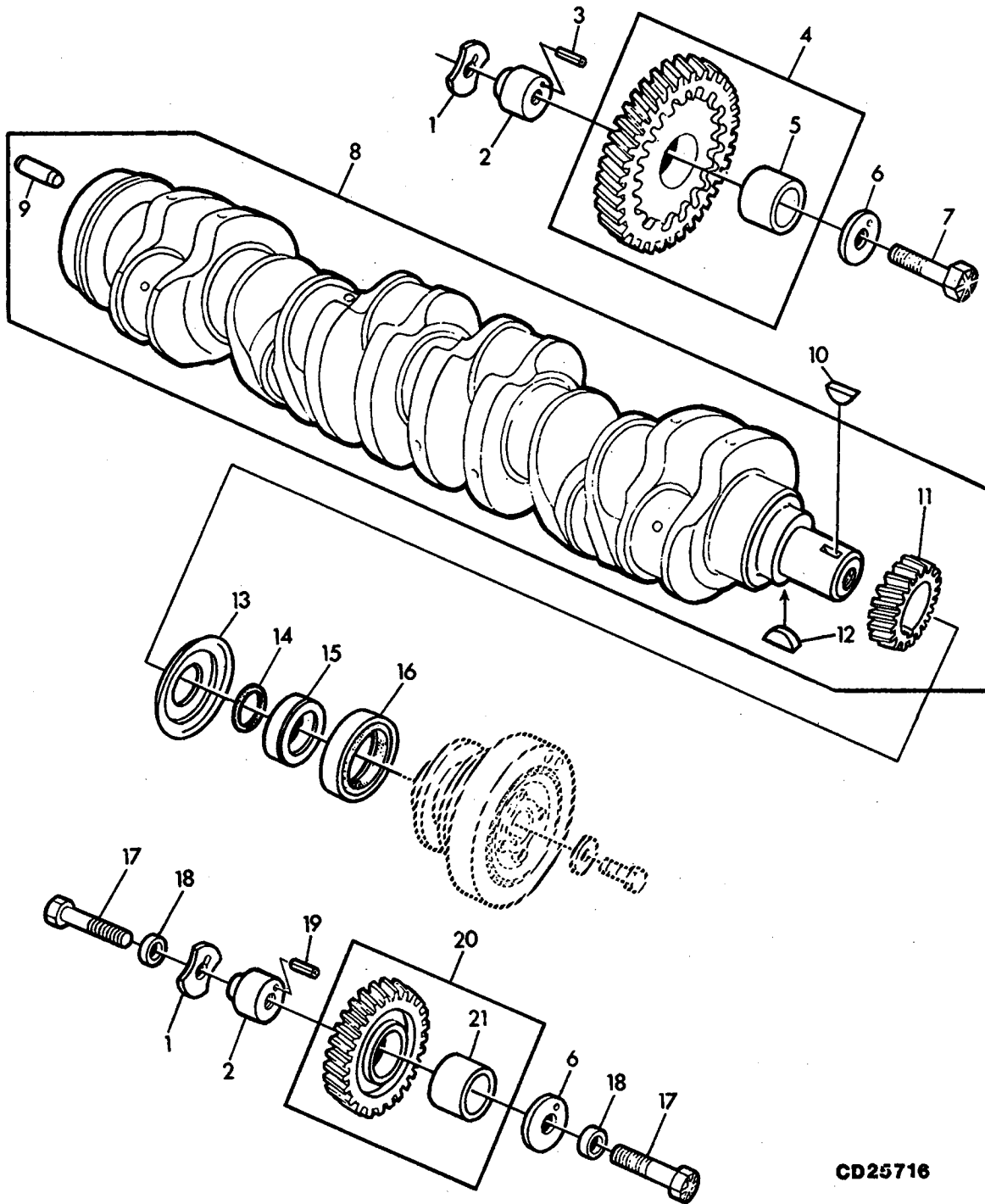
Group 7 Cylinder Block

Item	Qty.	Description Variation No.	Part No.	Item	Qty.	Description Variation No.	Part No.
1A	1	Valve, drain 1	223435	18	14	Washer 1	X
1B	1	Plug, pipe 1	#	19	1	Fitting 1	223513
	1	Plug, drain 1	#	20	1	Block, cylinder 1	224081
	1	O-ring 1	#				
2	2	Plug, 1/4NPT pipe 1	#				
	1	Plug, 1/2NPT pipe (turbo.) 1	#				
3	2	Pin, dowel 1	X				
4	1	Stud (water pump) 1	X				
5	2	Stud (timing gear) 1	X				
6	1	Cap 1	X				
7	1	Bushing (oil press. relief valve) 1	X				
8	2	Pin, dowel 1	X				
9	1	Plug, 3/8NPT pipe 1	#				
10	6	Orifice (piston cooling) 1	X				
11	2	Pin, dowel 1	X				
12	1	Plug, 3/4NPT pipe 1	#				
13	14	Screw, cap 1	X				
14	1	Valve 1	223507				
15	1	Spring 1	223465				
16	1	Nipple, threaded 1	X				
17	1	O-ring 1	X				

Common Hardware, Procure Locally
X Not Sold Separately

John Deere 6359TL

Group 8a Crankshaft



CD25716

Reproduced by permission of Deere & Company,
© 1988 Deere & Company All rights reserved.

John Deere 6359TL

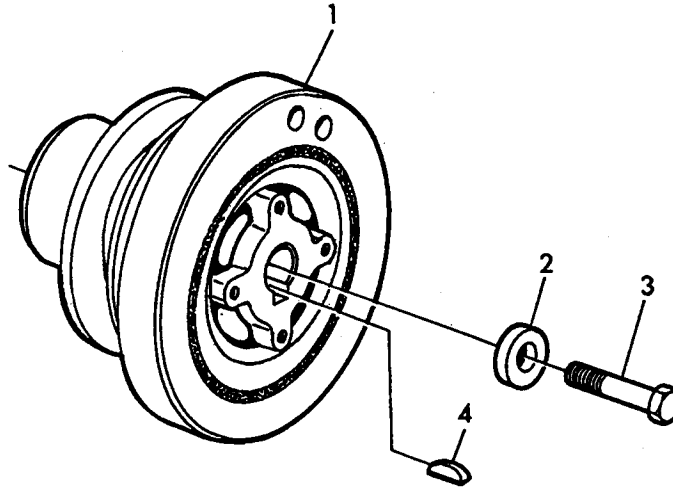
Group 8a Crankshaft

Item	Qty.	Description Variation No.	Part No.	Item	Qty.	Description Variation No.	Part No.
1	2	Washer, thrust 1	223649	20	1	Gear, low 1	223729
2	2	Shaft 1	223648	21	1	Bushing 1	X
	2	Pin 1	224060				
3	2	Pin, spring 3/16 x 1-1/8" 1	#				
4	1	Gear 1	223432				
5	1	Bushing 1	X				
6	2	Washer, thrust 1	223651				
7	1	Screw 1	223652				
8	1	Crankshaft 1	224004				
9	1	Pin, dowel 1	223985				
10	1	Key, shaft (5/16 x 1-1/8") 1	#				
11	1	Gear (24 teeth) 1	223615				
12	1	Key, shaft 1/8 x 5/8" 1	#				
13	1	Cover 1	223607				
14	1	Ring 1	224007				
15	1	Ring, wear 1	224056				
16	1	Seal 1	223422				
17	2	Screw 1	223650				
18	2	Washer 1	224045				
19	1	Pin, spring 3/16 x 1-1/2" 1	#				

Common Hardware, Procure Locally
X Not Sold Separately

John Deere 6359TL

Group 8b Crankshaft Pulley



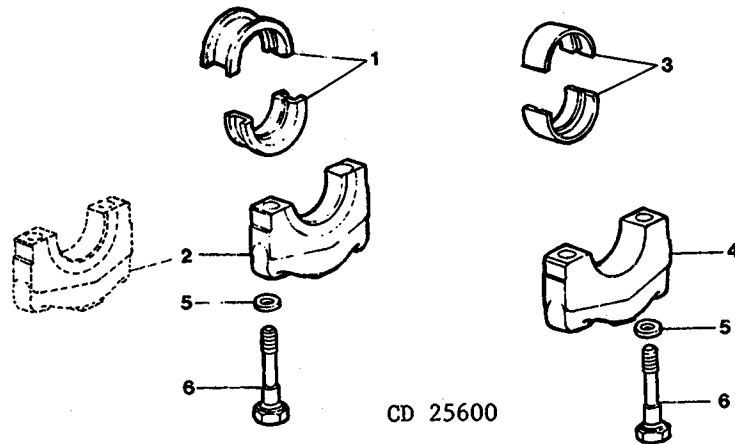
CD 25717

Reproduced by permission of Deere & Company,
© 1988 Deere & Company All rights reserved.

Item	Qty.	Description Variation No.	Part No.	Item	Qty.	Description Variation No.	Part No.
1	1	Pulley w/dampner 1	224063				
2	1	Washer M12 (.472") 1	#				
3	1	Screw, 1/2-13 x 1-3/4" 1	#				
4	1	Key, shaft 5/16 x 1-1/8" 1	#				

John Deere 6359TL

Group 8c Crankshaft Bearings



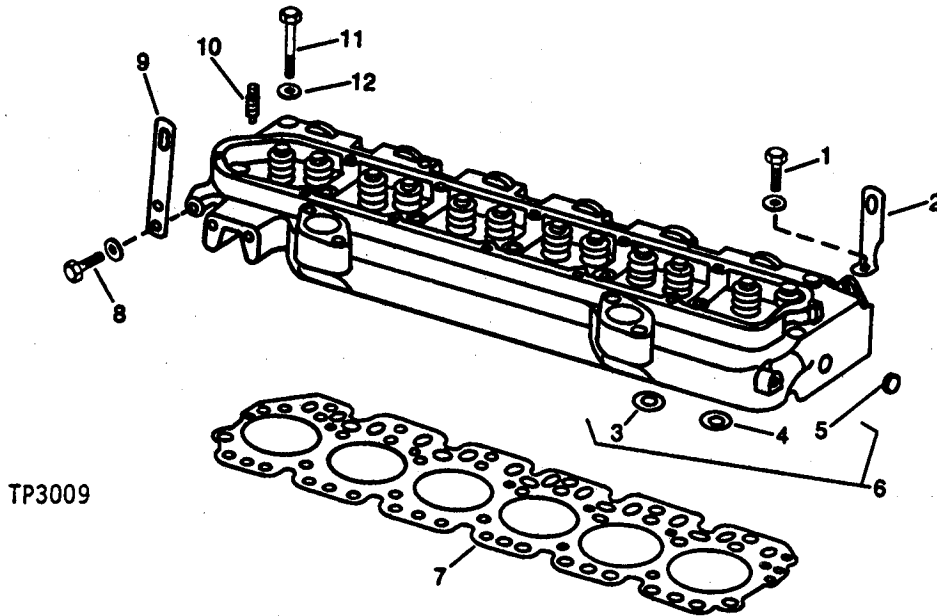
Reproduced by permission of Deere & Company,
© 1988 Deere & Company All rights reserved.

Item	Qty.	Description Variation No.	Part No.	Item	Qty.	Description Variation No.	Part No.
1	1	Bearing, rear std. (set of 2)	223727	6	14	Screw, cap	223639
	1	Bearing, rear .002" (.05 mm)	223723		1		
	1	1 U/S (set of 2)					
	1	Bearing, rear .010" (.25 mm)	223724				
	1	1 U/S (set of 2)					
	1	Bearing, rear .020" (.51 mm)	223725				
	1	1 U/S (set of 2)					
	1	Bearing, rear .030" (.76 mm)	223726				
	1	1 U/S (set of 2)					
2	1	Cap, rear	223516				
	1						
3	6	Bearing, plain std. (set of 2)	223728				
	1						
	AR	Bearing, plain .002" (.05 mm)	223719				
	1	1 U/S (set of 2)					
	AR	Bearing, plain .010" (.25 mm)	223720				
	1	1 U/S (set of 2)					
	AR	Bearing, plain .020" (.51 mm)	223721				
	1	1 U/S (set of 2)					
	AR	Bearing, plain .030" (.76 mm)	223722				
	1	1 U/S (set of 2)					
4	6	Cap, bearing	223503				
	1						
5	14	Washer	223089				
	1						

Common Hardware, Procure Locally
X Not Sold Separately

John Deere 6359TL

Group 9 Cylinder Head



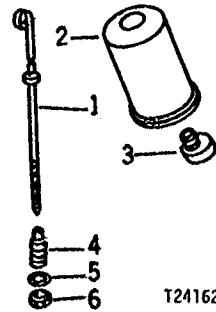
TP3009

Reproduced by permission of Deere & Company,
© 1988 Deere & Company All rights reserved.

Item	Qty.	Description Variation No.	Part No.	Item	Qty.	Description Variation No.	Part No.
1	1	Screw, 1/2-13 x 3/4"	#	9	1	Strap, engine (rear left)	X
	1	Washer, 1/2" lock	#	10			not used
2	1	Strap, engine (front left)	X	11	26	Screw	224049
3	6	Insert, intake valve seat	223453	12	26	Washer	224089
4	6	Insert, exhaust valve seat	223474				
5	2	Cap	223409				
6	1	Head, cylinder w-o/ valves	X				
	1	Head, cylinder w/valves	223992				
7	1	Gasket	224054				
8	1	Screw, 1/2-13 x 3/4"	#				
	1	Washer, 1/2" lock	#				

John Deere 6359TL

Group 10 Oil Filter and Dipstick



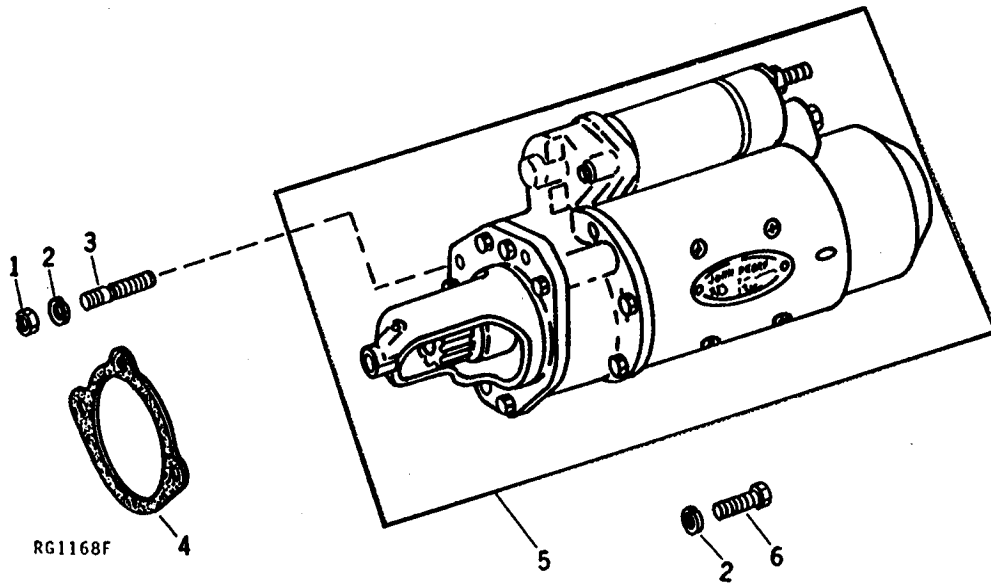
T24162

Reproduced by permission of Deere & Company,
© 1988 Deere & Company All rights reserved.

Item	Qty.	Description Variation No.	Part No.	Item	Qty.	Description Variation No.	Part No.
1	1	Dipstick 1	223443				
2	1	Filter, oil 1	223604				
3	1	Nipple, threaded 1	223638				
4	1	Nipple, threaded 1	223542				
5	1	O-ring 1	223454				
6	1	Nut, 1/2-13 1	#				

John Deere 6359TL

Group 11a Starter Motor

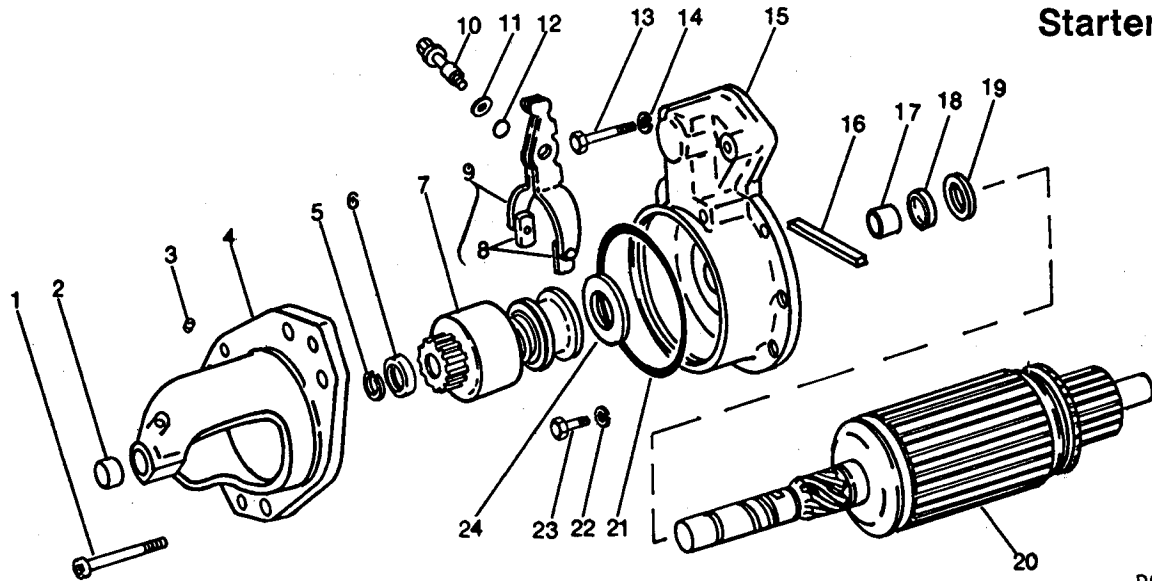


Reproduced by permission of Deere & Company,
© 1988 Deere & Company All rights reserved.

Item	Qty.	Description Variation No.	Part No.	Item	Qty.	Description Variation No.	Part No.
1	1	Nut, 3/8-16 1	#				
2	3	Washer, 3/8" lock 1	#				
3	1	Stud 1	#				
4	1	Gasket 1	223791				
5	1	Motor, starter 1	224064				
6	2	Screw, 3/8-16 x 1-3/8" cap 1	#				

John Deere 6359TL

Group 11b Starter Drive



RG1947

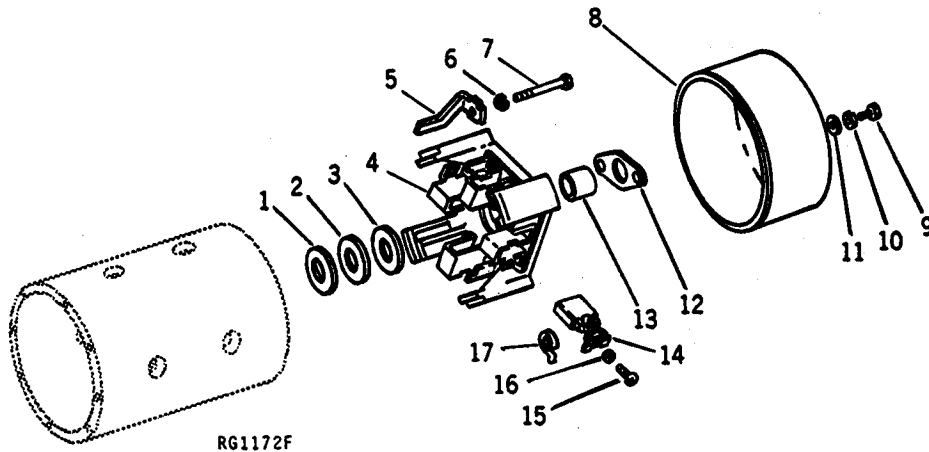
Reproduced by permission of Deere & Company,
© 1988 Deere & Company All rights reserved.

Item	Qty.	Description Variation No.	Part No.	Item	Qty.	Description Variation No.	Part No.
1	6	Screw 1	#	13	2	Screw 1	#
2	1	Bushing 1	X	14	2	Washer, 1/4" lock 1	#
3	1	Plug 1	X	15	1	Housing 1	X
4	1	Housing 1	X	16	1	Wick 1	X
5	1	Ring, snap 1	X	17	1	Bushing 1	X
6	1	Stop 1	X	18	1	Seal 1	X
7	1	Drive 1	223678	19	1	Washer, thrust 1	X
8	2	Plate, wear 1	X	20	1	Armature 1	X
9	1	Arm 1	223685	21	1	Washer 1	#
10	1	Shaft 1	X	22	2	Washer, 9/16" lock 1	#
11	1	Washer, 21/64 x 5/8 x .048" 1	#	23	2	Screw 1	#
12	1	O-ring 1	X	24	1	Ring, wear 1	X

Common Hardware, Procure Locally
X Not Sold Separately

John Deere 6359TL

Group 11c Starter End Frame

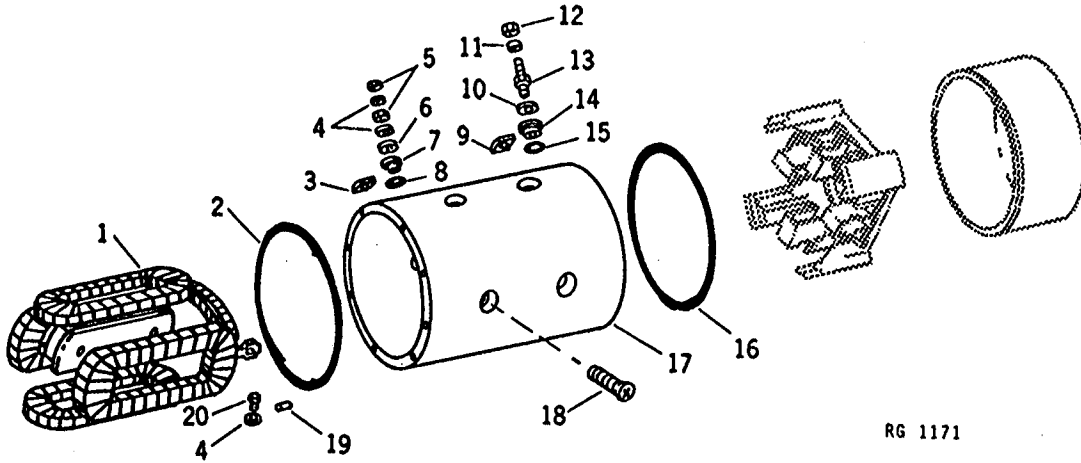


Reproduced by permission of Deere & Company,
© 1988 Deere & Company All rights reserved.

Item	Qty.	Description Variation No.	Part No.	Item	Qty.	Description Variation No.	Part No.
1	AR	Shim .007" (.18 mm) 1	X	11	2	Washer, 7/32 x 1/2 x .048" 1	#
2	AR	Shim .019" (.50 mm) 1	X	12	1	Gasket 1	X
3	1	Washer, thrust 1	X	13	1	Bushing 1	X
4	1	Frame 1	223679	14	4	Brush, carbon 1	223785
5	2	Bracket 1	X	15	4	Screw 1	#
6	2	Washer, 9/16" lock 1	#	16	4	Washer, #10 lock 1	#
7	2	Screw 1	#	17	4	Spring 1	X
8	1	Cover 1	X				
9	2	Screw 1	#				
10	6	Washer, #10 lock 1	#				

John Deere 6359TL

Group 11d Starter Main Frame



RG 1171

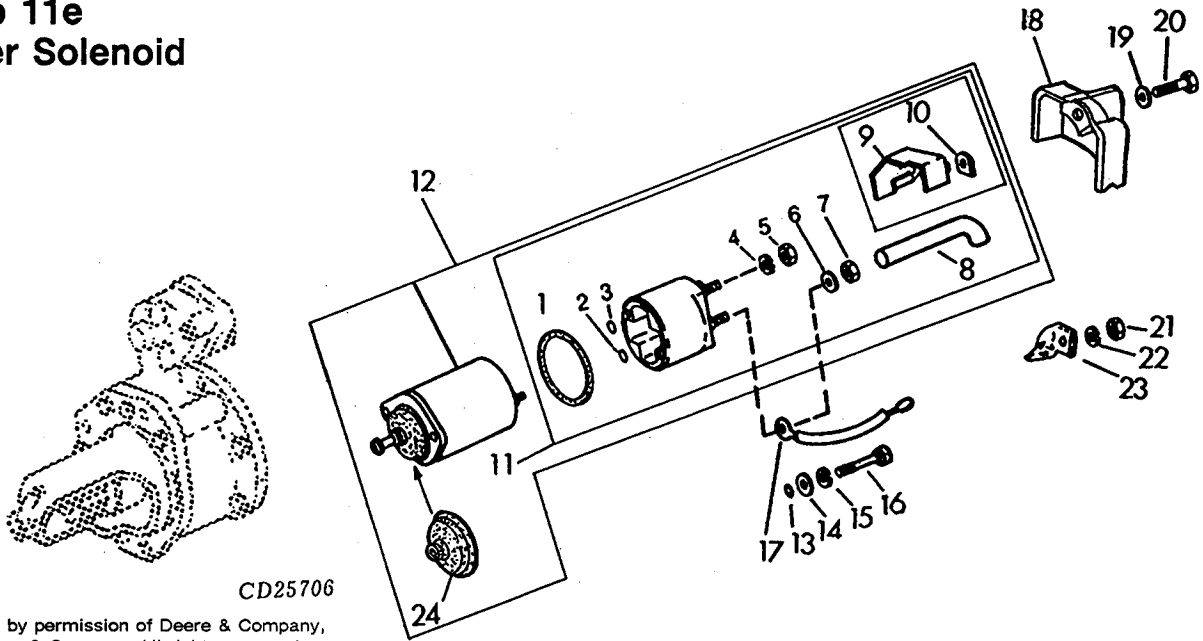
Reproduced by permission of Deere & Company,
© 1988 Deere & Company All rights reserved.

Item	Qty.	Description Variation No.	Part No.	Item	Qty.	Description Variation No.	Part No.
1	1	Coil , field winding 1	223926	11	1	Washer, lock 1	#
2	1	O-ring 1	223784	12	1	Nut 1	#
3	1	Washer 1	#	13	1	Bolt 1	#
4	3	Washer, #10 lock 1	#	14	1	Washer 1	#
5	2	Nut 1	#	15	1	O-ring 1	X
6	1	Washer, 7/32 x 1/2 x .048" 1	#	16	1	O-ring 1	X
7	1	Washer 1	#	17	1	Frame 1	X
8	1	O-ring 1	X	18	8	Screw 1	#
9	1	Bushing 1	X	19	1	Pin, dowel 1	X
10	1	Washer 1	#	20	1	Screw 1	#

Common Hardware, Procure Locally
X Not Sold Separately

John Deere 6359TL

Group 11e Starter Solenoid



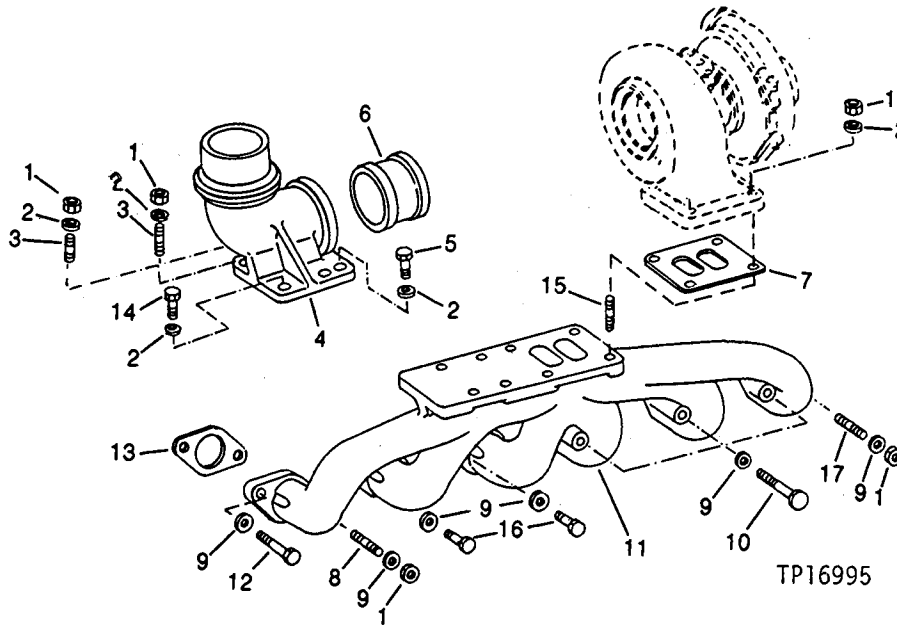
CD25706

Reproduced by permission of Deere & Company,
© 1988 Deere & Company All rights reserved.

Item	Qty.	Description Variation No.	Part No.	Item	Qty.	Description Variation No.	Part No.
1	1	Gasket 1	X	13	2	O-ring 1	X
2	1	Washer 1	#	14	2	Washer, 13/32 x 13/16 x .06" 1	#
3	1	Shim 1	X	15	2	Washer, 1/4" lock 1	#
4	1	Washer, 5/16" lock 1	#	16	2	Screw 1	#
5	1	Nut 1	#	17	1	Lead, wiring 1	X
6	1	Washer, #10 lock 1	#		1	Wire 1	X
7	2	Nut, 10-24 1	#	18	1	Cover 1	X
8	1	Hose 1	X	19	1	Washer 1	#
9	1	Cover 1	X	20	1	Screw 1	#
10	1	Plate 1	X	21	2	Nut, 3/8-16 1	#
11	1	Cover Kit 1	X	22	2	Washer, lock 1	#
	1	Switch 1	X	23	1	Connector 1	#
12	1	Solenoid kit, starter 1	223928	24	1	Boot 1	X
	1	Switch 1	223927				

John Deere 6359TL

Group 12 Exhaust Manifold



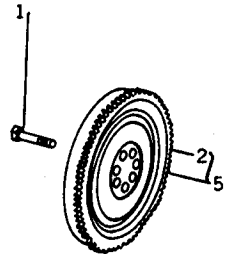
Reproduced by permission of Deere & Company,
© 1988 Deere & Company All rights reserved.

Item	Qty.	Description Variation No.	Part No.	Item	Qty.	Description Variation No.	Part No.
1	8	Nut 3/8-16 1	#	11	1	Manifold, exhaust 1	224098
2	8	Washer, 13/32 x 13/16 x .06" 1	#	12	4	Screw, 3/8-16 x 1-1/4" 1	#
3	2	Stud 1	#	13	6	Gasket 1	224087
4	1	Fitting, elbow 1	223495	14	1	Screw, 3/8-16 x 2" cap 1	#
5	1	Screw, 3/8-16 x 1-1/8" 1	#	15	4	Stud 1	#
6	1	Adapter 1	223538	16	3	Screw, 3/8-16 x 1-1/2" cap 1	#
7	1	Gasket 1	223483	17	1	Stud 1	#
8	1	Stud 1	#				
9	8	Washer, 13/32 x 23/32 x .12" 1	#				
10	3	Screw, 3/8-16 x 3-1/2" 1	#				

Common Hardware, Procure Locally
X Not Sold Separately

John Deere 6359TL

Group 13a Flywheel



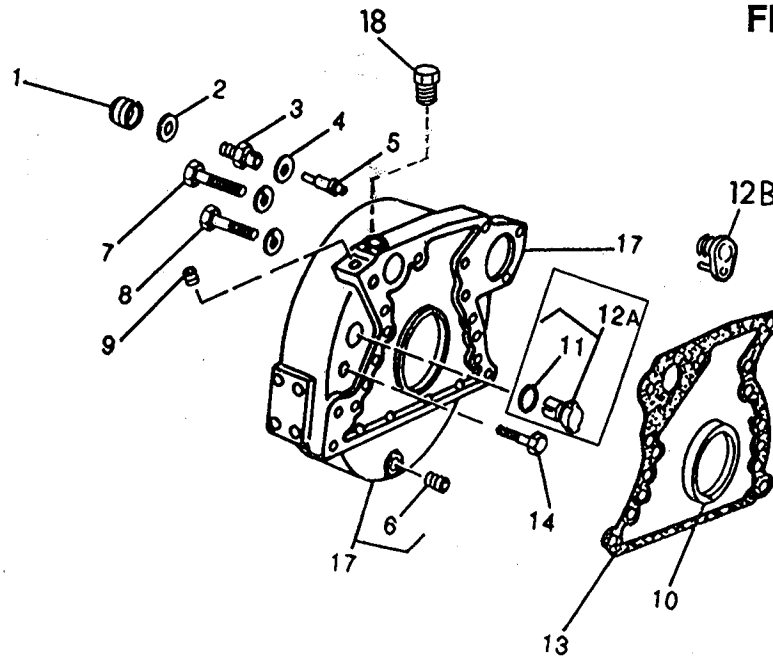
R 27691F

Reproduced by permission of Deere & Company,
© 1988 Deere & Company All rights reserved.

Item	Qty.	Description Variation No.	Part No.	Item	Qty.	Description Variation No.	Part No.
1	4	Screw, 1/2-13 x 1-1/2" grade 8 1	#				
2	1	Gear (129 teeth) 1	223750				
3			not used				
4			not used				
5	1	Flywheel 1	224079				

John Deere 6359TL

Group 13b Flywheel Housing



CD 25710

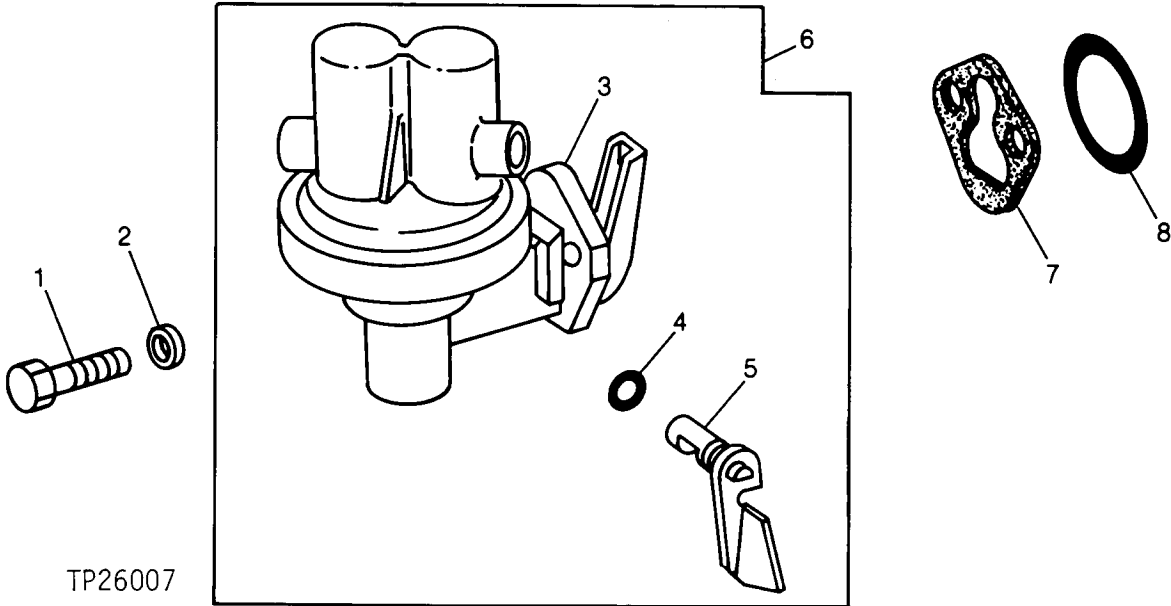
Reproduced by permission of Deere & Company,
© 1988 Deere & Company All rights reserved.

Item	Qty.	Description Variation No.	Part No.	Item	Qty.	Description Variation No.	Part No.
1			not used	10	1	Seal, oil w/wear ring 1	223583
2			not used	11	1	O-ring 1	X
3			not used	12A	1	Plug 1	223683
4			not used	12B	1	Plug 1	224059
5			not used	13	1	Gasket 1	224042
6	1	Plug, 1/2NPT pipe 1	#	14	1	Screw, 1/2-13 x 1/2" cap 1	#
7	8	Screw, 3/8-16 x 1-3/8" cap 1	#	15			not used
8	8	Washer, 3/8" lock 1	#	16			not used
8	4	Screw, 5/8-11 x 2-1/2" 1	#	17	1	Housing, flywheel 1	223999
8	4	Washer, 5/8" lock 1	#	18	AR	Plug 1	223451
9	1	Plug, pipe 1	#				
	1	Plug, pipe 1	#				

Common Hardware, Procure Locally
X Not Sold Separately

John Deere 6359TL

Group 14 Fuel Pump

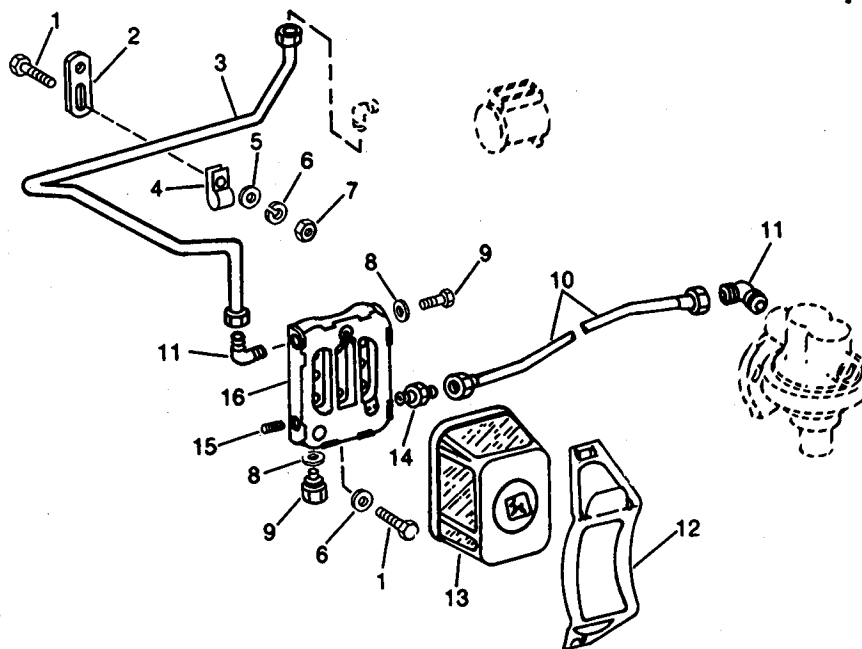


© 1988 Deere & Company All rights reserved.

Item	Qty.	Description Variation No.	Part No.	Item	Qty.	Description Variation No.	Part No.
1	2	Screw, 5/16-18 x 1-1/4" cap 1	#				
2	2	Washer 1	#				
3	1	Pump, fuel 1	X				
4	1	O-ring 1	X				
5	1	Lever 1	X				
6	1	Pump, fuel 1	223585				
7	1	Gasket 1	223557				
8	AR	Washer 1	#				
<p>NOTE: If Item 6 fuel pump is required, order Item 7 Gasket also.</p>							

John Deere 6359TL

Group 15 Fuel Filter

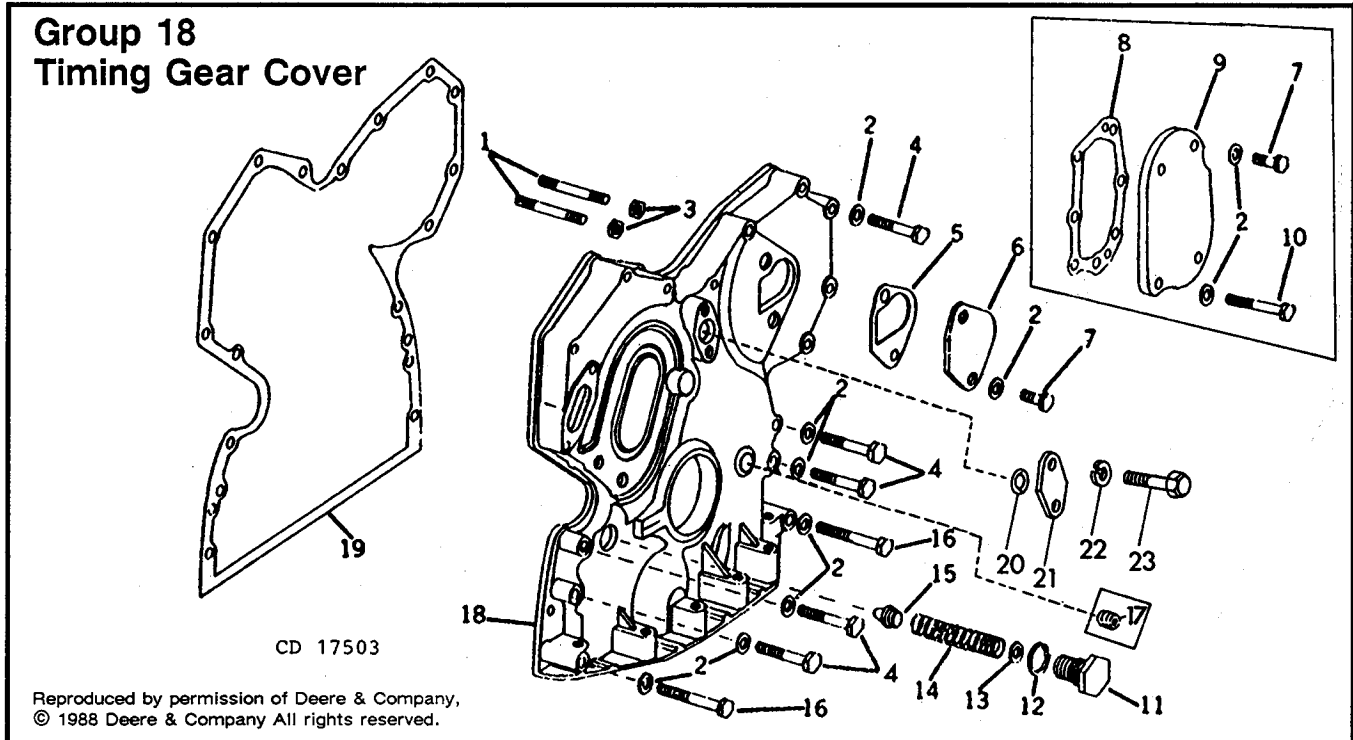


TP16481

Reproduced by permission of Deere & Company,
© 1988 Deere & Company All rights reserved.

Item	Qty.	Description Variation No.	Part No.	Item	Qty.	Description Variation No.	Part No.
1	3	Screw, 3/8-16 x 7/8" 1	#	11	2	Fitting, elbow 1	223534
2	1	Strap 1	223492	12	1	Clamp 1	223505
3	1	Line, oil 1	224080	13	1	Element, filter 1	223414
4	1	Clip 1	X	14	1	Fitting 1	223457
5	1	Washer, 13/32 x 11/16 x .06" 1	#	15	1	Plug, 1/8NPT pipe 1	#
6	3	Washer, 3/8" lock 1	#	16	1	Housing 1	223413
7	1	Nut, 3/8-16 1	#				
8	2	Washer 1	224010				
9	2	Plug, drain 1	223467				
10	1	Tube 1	223997				

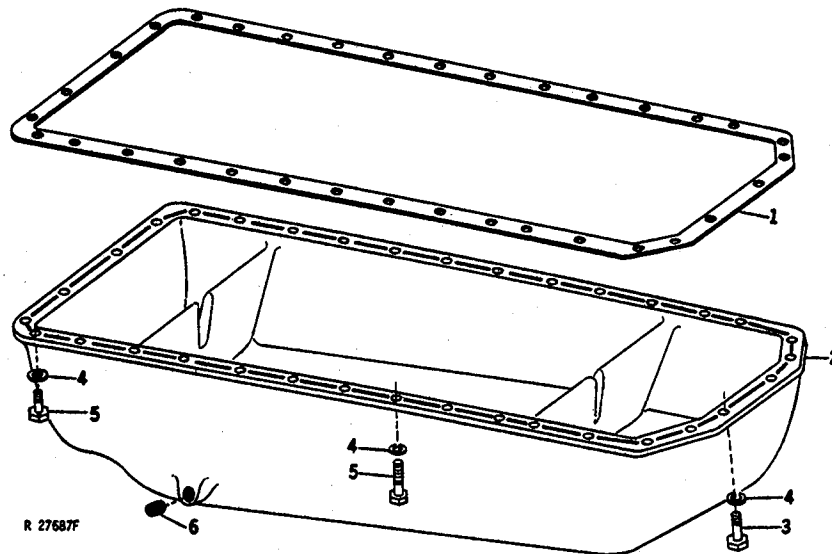
John Deere 6359TL



Item	Qty.	Description Variation No.	Part No.	Item	Qty.	Description Variation No.	Part No.
1	2	Stud 1	#	13	AR	Washer, 21/64 x 3/4 x .036" 1	#
2	18	Washer, 13/32 x 23/32 x .120" 1	#	14	1	Spring 1	224095
3	2	Nut, 3/8-16 1	#	15	1	Valve, oil pressure relief 1	224058
4	10	Screw, 3/8-16 x 2" 1	#	16	2	Screw, 3/8-16 x 2-1/2" 1	#
5	1	Gasket 1	224041	17	1	Plug, 1/4NPT pipe 1	#
6	1	Cover 1	223637	18	1	Cover 1	224001
7	5	Screw, 3/8-16 x 7/8" cap 1	#	19	1	Gasket 1	224088
8	1	Gasket 1	224092	20	1	O-ring 1	224011
9	1	Cover 1	224091	21	1	Cover 1	224040
10	1	Screw, 3/8-16 x 2-1/4" 1	#	22	2	Washer, 1/4" lock 1	#
11	1	Plug, fitting 1	223653	23	2	Screw, 1/4-20 x 3.4" cap 1	#
12	1	Washer 1	223410	NOTE: If Item 18 Cover is required, order Items 20-23 also.			

John Deere 6359TL

Group 21a Oil Pan



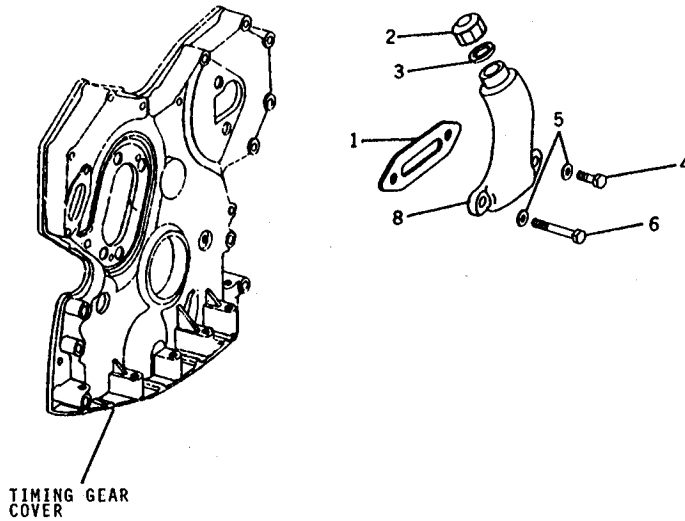
Reproduced by permission of Deere & Company,
© 1988 Deere & Company All rights reserved.

Item	Qty.	Description Variation No.	Part No.	Item	Qty.	Description Variation No.	Part No.
1	1	Gasket 1	224090				
2	1	Pan, oil 1	224026				
3	4	Screw, 3/8-16 x 1-3/4" cap 1	#				
4	36	Washer, 3/8" lock 1	#				
5	32	Screw, 3/8-16 x 1-1/8" cap 1	#				
6	2	Plug, pipe 1/2NPT 1	#				

Common Hardware, Procure Locally
X Not Sold Separately

John Deere 6359TL

Group 21b Oil Fill Tube



T30588

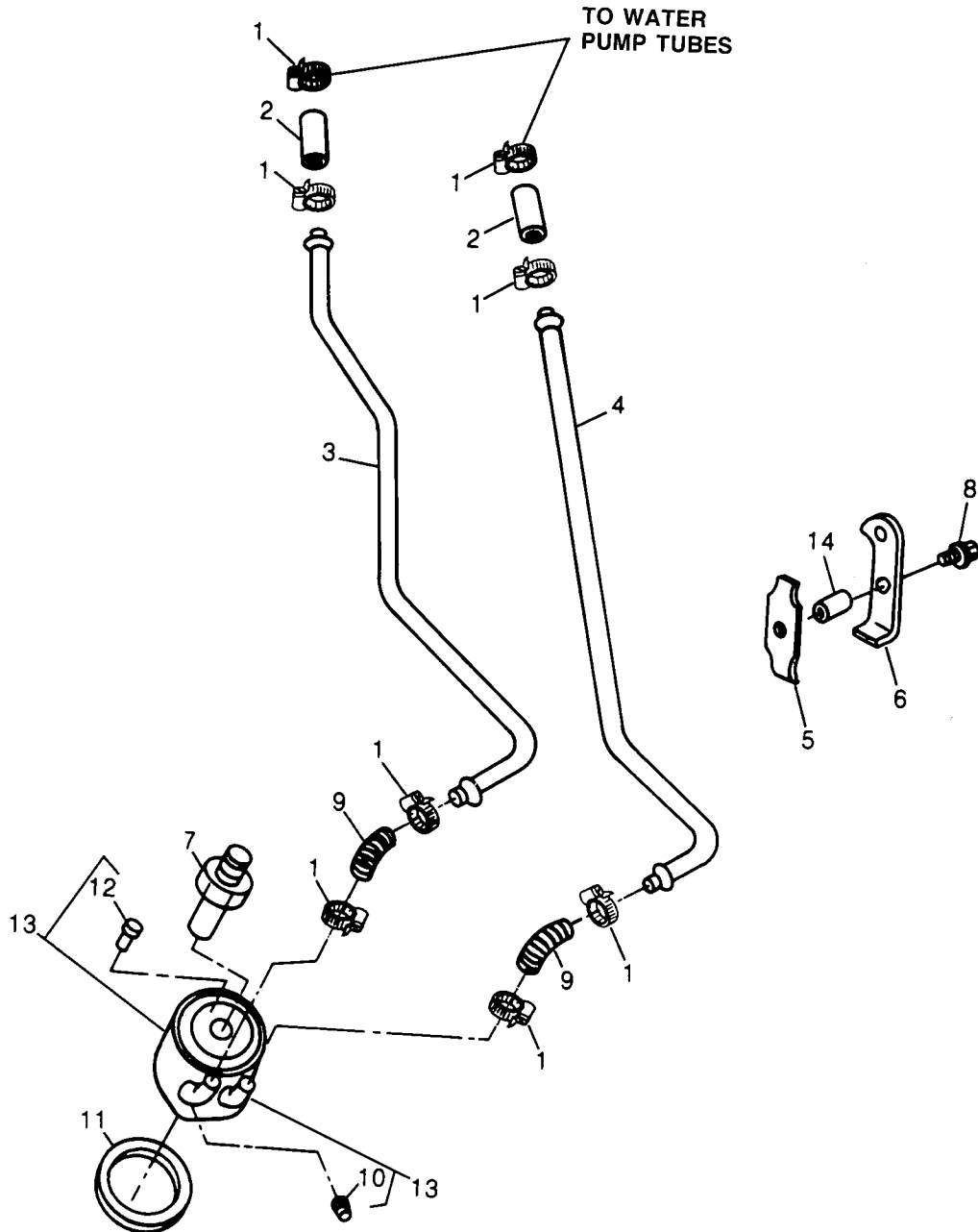
Reproduced by permission of Deere & Company,
© 1988 Deere & Company All rights reserved.

Item	Qty.	Description Variation No.	Part No.	Item	Qty.	Description Variation No.	Part No.
1	1	Gasket 1	224093				
2	1	Cap 1	223630				
3	1	Gasket 1	223636				
4	1	Screw, 3/8-16 x 1-5/8" cap 1	#				
5	2	Washer, 13/32 x 23/32 x .12" 1	#				
6	1	Screw, 3/8-16 x 3" 1	#				
7			not used				
8	1	Neck, filler (tube) 1	224094				

NOTES

John Deere 6359TL

Group 21c Oil Cooler



TP26016

Reproduced by permission of Deere & Company,
© 1988 Deere & Company All rights reserved.

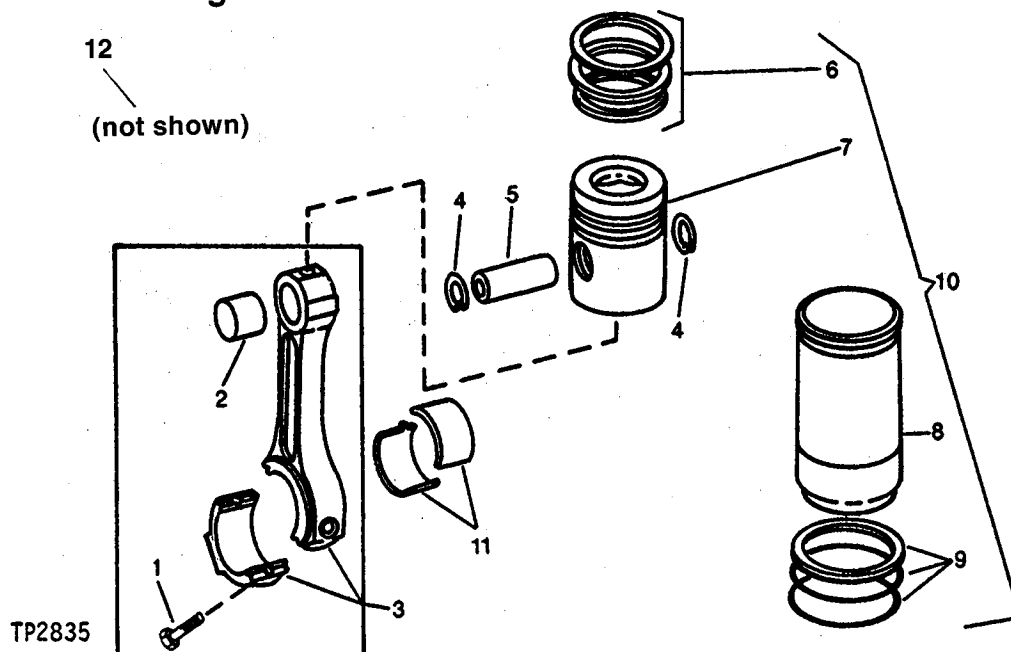
John Deere 6359TL

Group 21c Oil Cooler

Item	Qty.	Description Variation No.	Part No.	Item	Qty.	Description Variation No.	Part No.
1	8	Clamp 1	#				
2	2	Hose, 5/8 in. ID (see NOTE below) 1	#				
3	1	Tube, lower 1	224039				
4	1	Tube, upper 1	224038				
5	1	Clamp, half 1	224023				
6	1	Flange 1	224022				
7	1	Nipple 1	223661				
8	1	Screw 1	#				
9	2	Hose 1	224061				
10	1	Plug, drain 1	223493				
11	1	Washer 1	223506				
12	1	Valve, relief 1	X				
13	1	Cooler, oil 1	224085				
14	1	Spacer, .423 x .675 x 1" 1	#				
<p>NOTE: Length needs to be determined for each application.</p>							

John Deere 6359TL

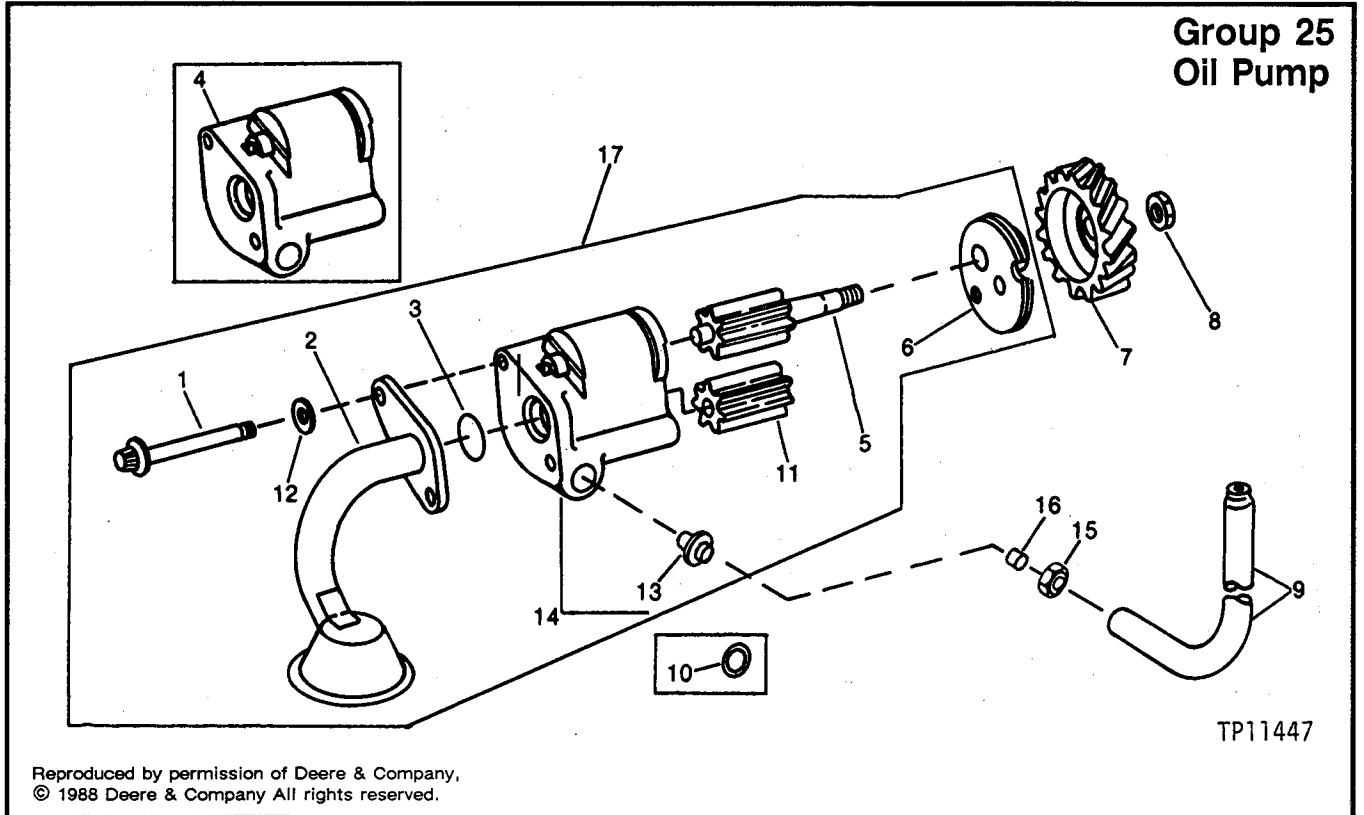
Group 22 Piston and Connecting Rod



Reproduced by permission of Deere & Company,
© 1988 Deere & Company All rights reserved.

Item	Qty.	Description Variation No.	Part No.	Item	Qty.	Description Variation No.	Part No.
1	12	Screw 1	223528	11	6	Bearing std. (set of 2) 1	223423
2	6	Bushing 1	223499	6	6	Bearing .002" (.05 mm) 1 U/S (set of 2)	223425
3	6	Rod, connecting 1	223567	6	6	Bearing .010" (.25 mm) 1 U/S (set of 2)	223426
4	12	Ring, snap 1	223479	6	6	Bearing .020" (.51 mm) 1 U/S (set of 2)	223427
5	6	Pin, piston 1	223488	6	6	Bearing .030" (.76 mm) 1 U/S (set of 2)	223428
6	6	Ring kit, piston (set of 3) 1	223565	12	1	Lubricant 1	223415
7	AR	Piston 1	223570				
8	6	Liner, cylinder 1	X				
9	6	O-ring kit 1	223419				
10	AR	Piston and ring kit 1	224078				

John Deere 6359TL



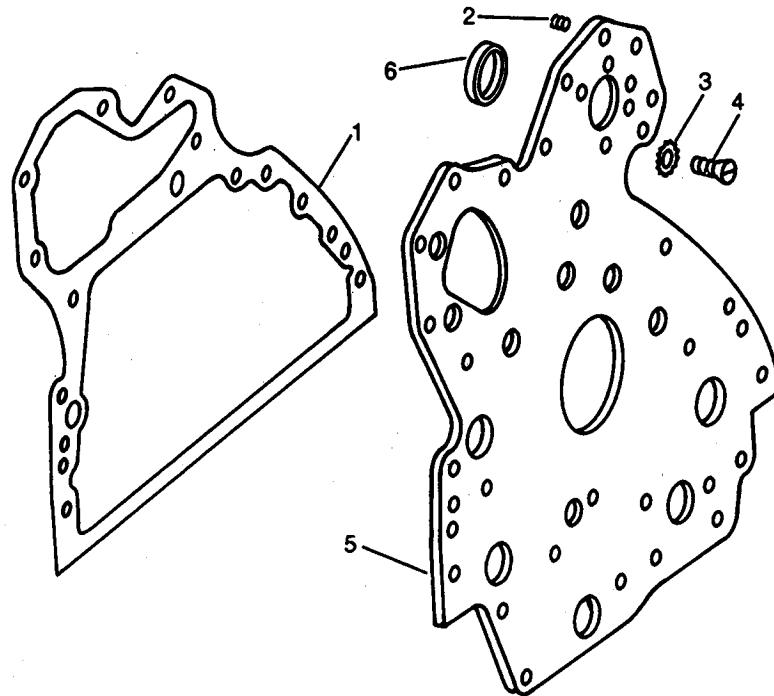
Reproduced by permission of Deere & Company,
© 1988 Deere & Company All rights reserved.

Item	Qty.	Description Variation No.	Part No.	Item	Qty.	Description Variation No.	Part No.
1	2	Screw, cap 1	X	12	2	Washer, 3/8" lock 1	#
2	1	Intake, oil pump 1	223993		2	Washer 1	#
3	1	O-ring 1	224035	13	1	Adapter 1	X
4	1	Housing 1	X	14	1	Housing 1	224065
5	1	Shaft 1	223998	15	1	Fitting 1	224050
6	1	Cover 1	X	16	1	Bushing 1	224051
7	1	Gear 1	223631	17	1	Pump, oil 1	223996
8	1	Nut, 1/2-13 1	#	NOTE: If Item 4 Housing is required, order Items 9 and 14-16. If Item 9 Oil Tube is required, also order Items 15 and 16. If Item 11 Gear is required, Item 5 Shaft must also be replaced.			
9	1	Tube, oil 1	224052				
10			not used				
11	1	Gear 1	224037				

Common Hardware, Procure Locally
X Not Sold Separately

John Deere 6359TL

Group 29 Front Plate



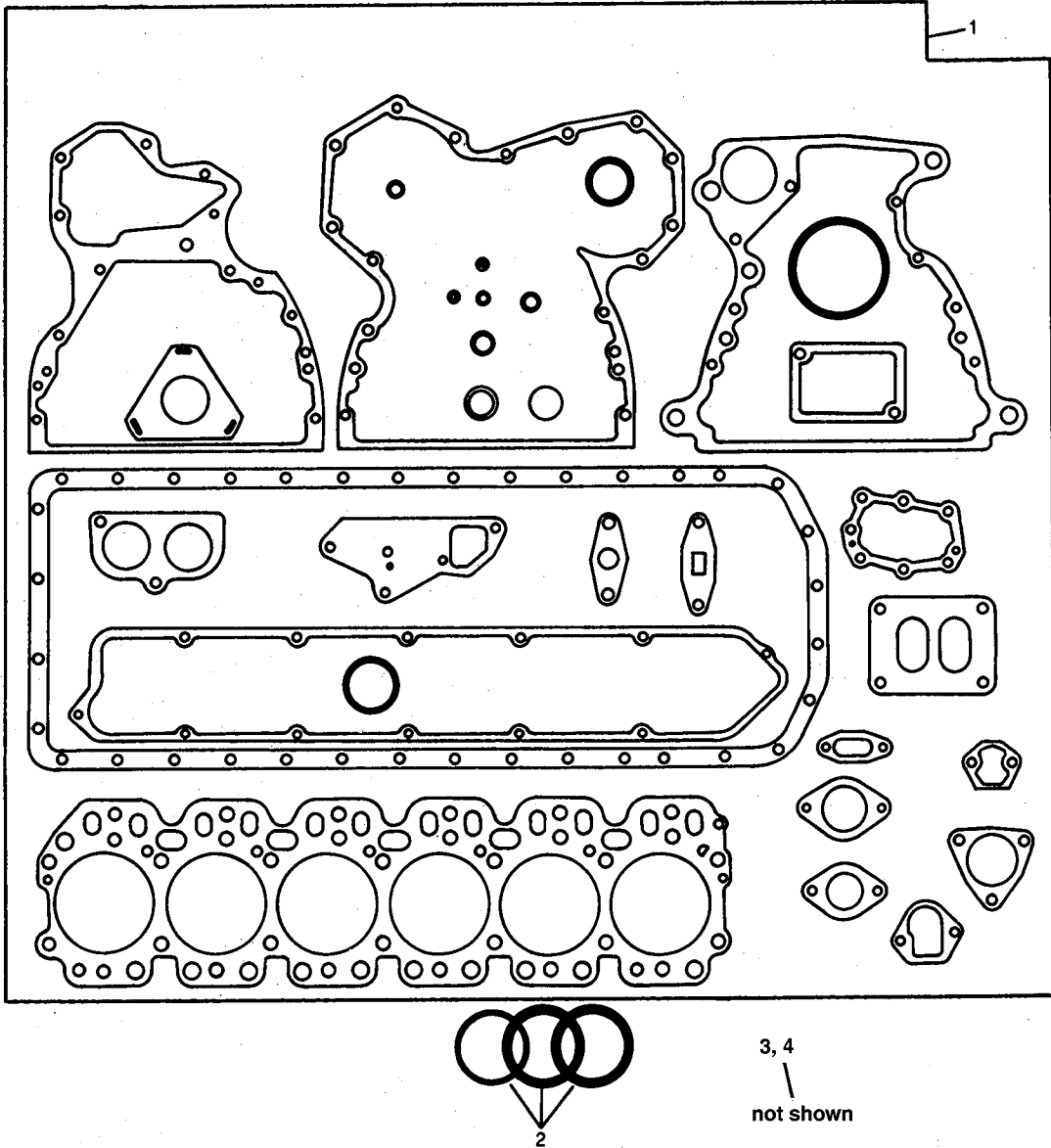
TP12049

Reproduced by permission of Deere & Company,
© 1988 Deere & Company All rights reserved.

Item	Qty.	Description Variation No.	Part No.	Item	Qty.	Description Variation No.	Part No.
1	1	Gasket 1	224044				
2			not used				
3	5	Washer, 3/8" lock 1	#				
4	5	Screw 1	#				
5	1	Plate 1	223487				

John Deere 6359TL

Group 39a Overhaul Gasket Set



TP12076

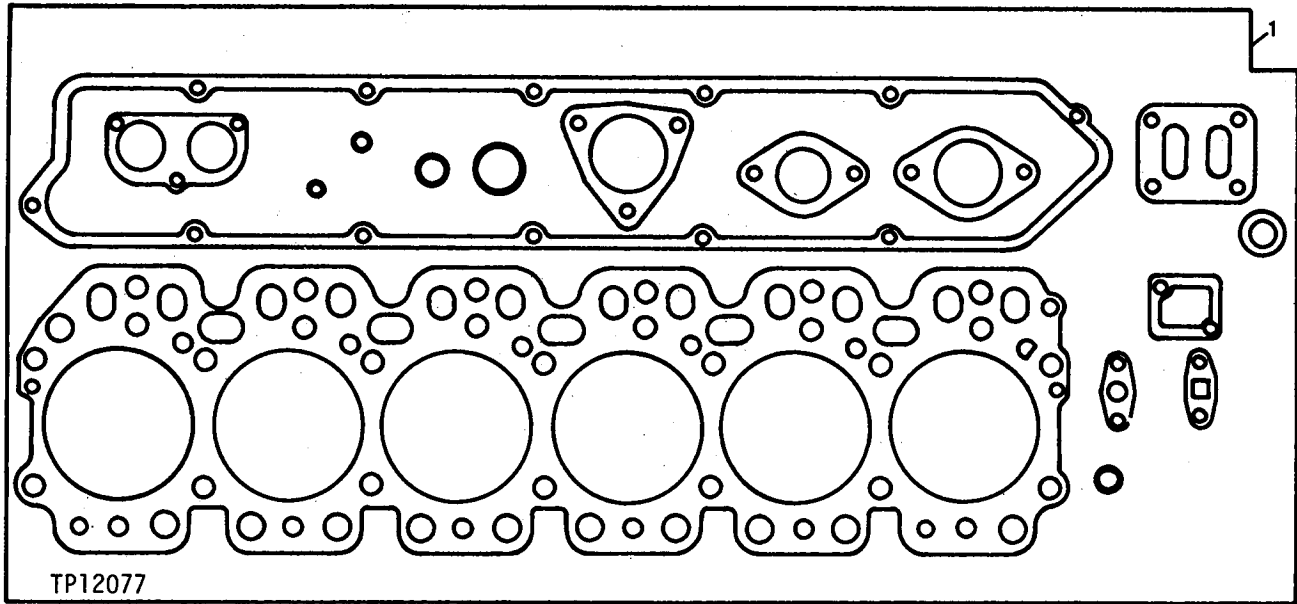
Reproduced by permission of Deere & Company,
© 1988 Deere & Company All rights reserved.

Item	Qty.	Description Variation No.	Part No.	Item	Qty.	Description Variation No.	Part No.
1	1	Gasket kit 1	224066	4	1	Seal, flywheel housing 1	224062
2	6	O-ring kit 1	223419	NOTE: For a complete set of all gaskets, order Items 1-4.			
3	1	Seal, crankshaft 1	223422				

Common Hardware, Procure Locally
X Not Sold Separately

John Deere 6359TL

Group 39b Tune-up Gasket Set

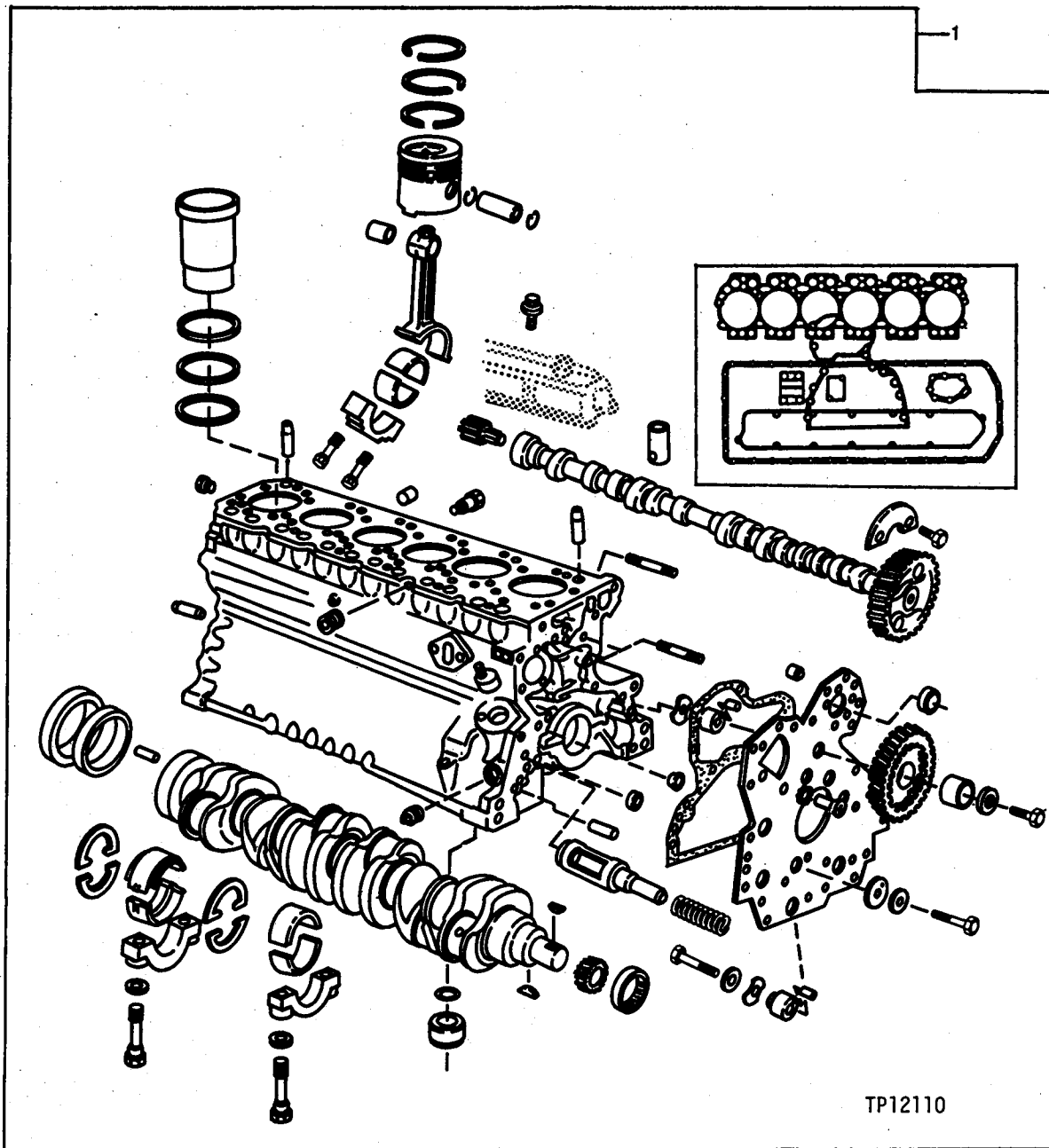


Reproduced by permission of Deere & Company,
© 1988 Deere & Company All rights reserved.

Item	Qty.	Description Variation No.	Part No.	Item	Qty.	Description Variation No.	Part No.
1	1	Gasket kit 1	224130				

John Deere 6359TL

Group 42 Short Block



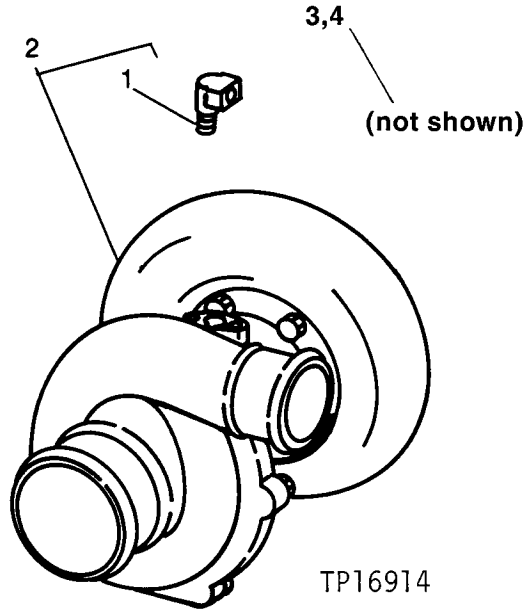
Reproduced by permission of Deere & Company,
© 1988 Deere & Company All rights reserved.

Item	Qty.	Description Variation No.	Part No.	Item	Qty.	Description Variation No.	Part No.
1	1	Block assembly, short 1	224082				

Common Hardware, Procure Locally
X Not Sold Separately

John Deere 6359TL

Group 50a Turbocharger



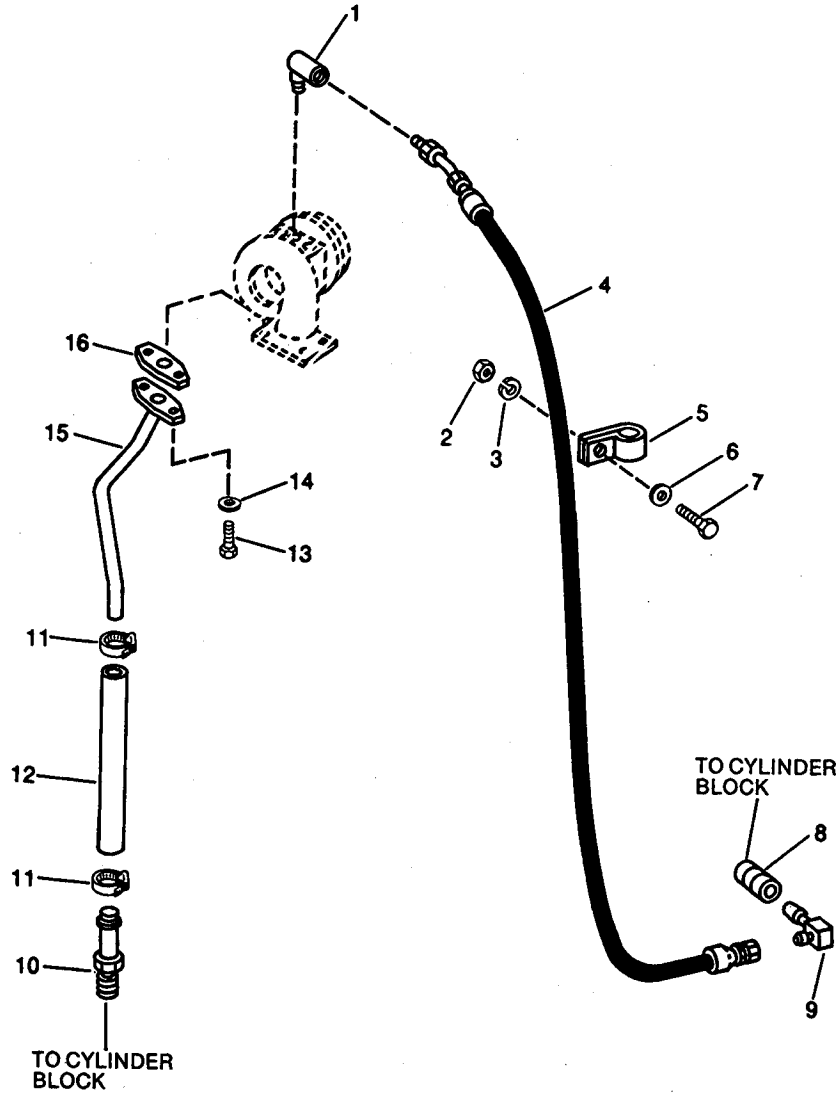
Reproduced by permission of Deere & Company,
© 1988 Deere & Company All rights reserved.

Item	Qty.	Description Variation No.	Part No.	Item	Qty.	Description Variation No.	Part No.
1	1	Fitting, elbow 1	223602				
2	1	Turbocharger 1	224084				
3	1	Housing, center 1	X				
4	1	Washer kit, screw and 1	X				

NOTES

John Deere 6359TL

Group 50b Turbocharger Oil Lines



TP16867

Reproduced by permission of Deere & Company,
© 1988 Deere & Company All rights reserved.

John Deere 6359TL

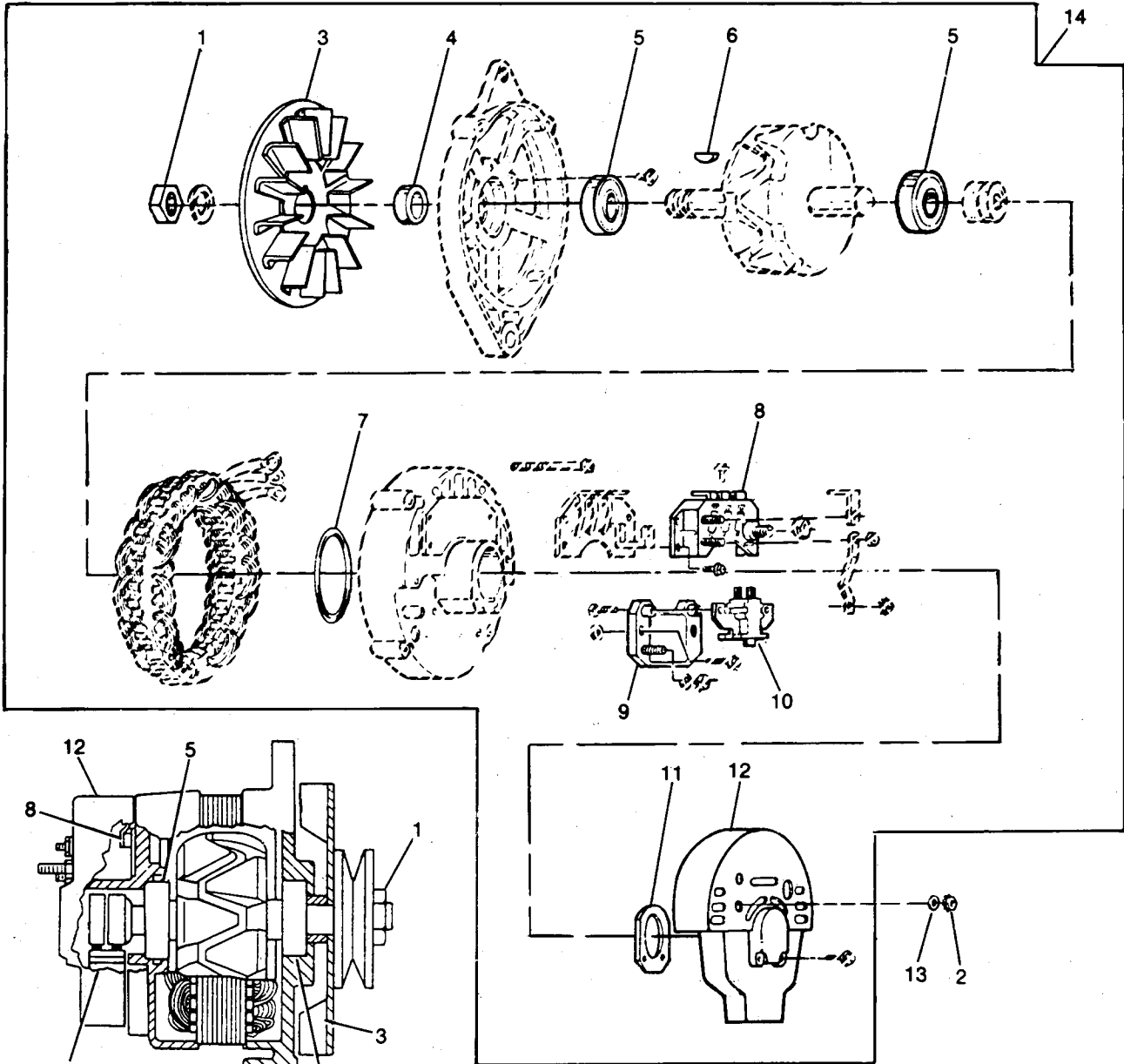
Group 50b Turbocharger Oil Lines

Item	Qty.	Description Variation No.	Part No.	Item	Qty.	Description Variation No.	Part No.
1	1	Fitting, elbow 1	223602	9	1	Fitting, elbow 1	223412
2	1	Nut, 5/16-18 1	#	10	1	Fitting, hose 1	223461
3	1	Washer, 5/16" lock 1	#	11	2	Clamp 1	#
4	1	Hose 1	224083	12	1	Hose, 3/4 ID x 3.15 in. 1	224055
5	1	Clamp 1	X	13	2	Screw, 3/8-16 x 7/8" 1	#
6	1	Washer, 13/32 x 11/16 x .06" 1	#	14	2	Washer, 3/8" lock 1	#
7	1	Screw, 5/16-18 x 3/4" 1	#	15	1	Line, oil 1	224068
8	1	Adapter, 3/8NPT 1	#	16	1	Gasket 1	223757

Common Hardware, Procure Locally
X Not Sold Separately

John Deere 6359TL

Group 51a Alternator



TP19769

Reproduced by permission of Deere & Company,
© 1988 Deere & Company All rights reserved.

John Deere 6359TL

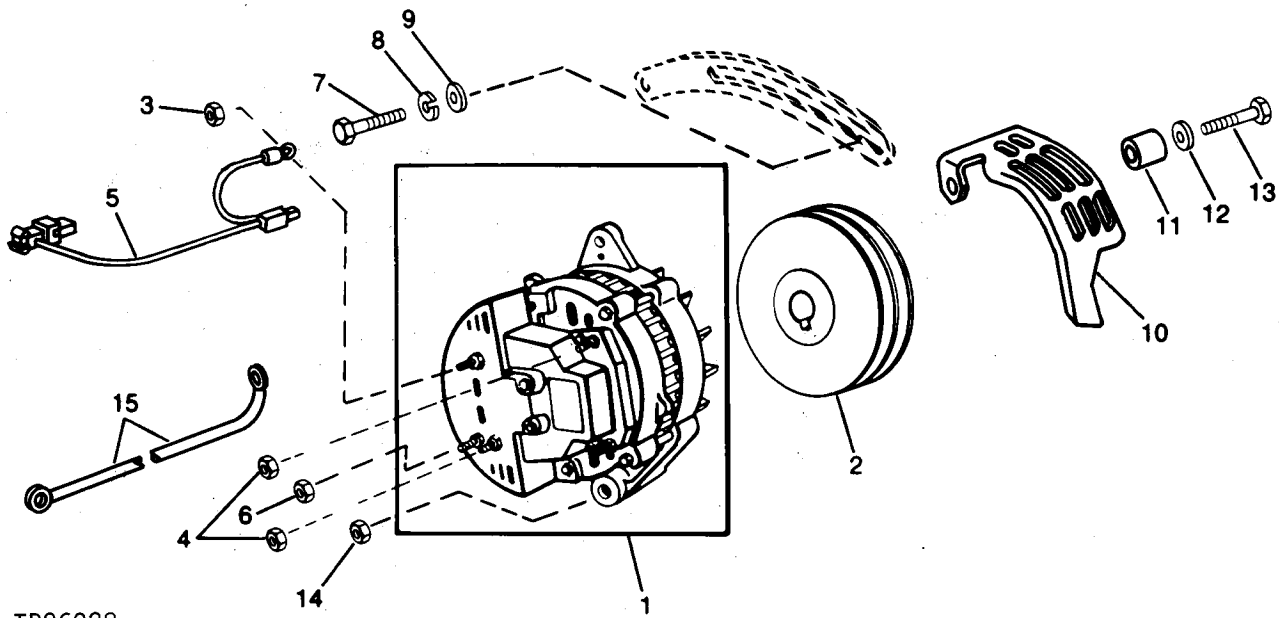
Group 51a Alternator

Item	Qty.	Description Variation No.	Part No.	Item	Qty.	Description Variation No.	Part No.
1	1	Nut 1	X				
2	1	Nut, M6 flange 1	#				
3	1	Fan 1	X				
4	1	Bushing 1	X				
5	2	Bearing 1	X				
6	1	Key, shaft 1/8 x 5/8" 1	#				
7	1	Ring 1	X				
8	1	Rectifier 1	X				
9	1	Regulator 1	X				
10	1	Holder 1	X				
11	1	Gasket 1	X				
12	1	Cover 1	X				
13	1	Washer, 1/4" lock 1	#				
14	1	Alternator 1	223663				

Common Hardware, Procure Locally
X Not Sold Separately

John Deere 6359TL

Group 51b Alternator Shield



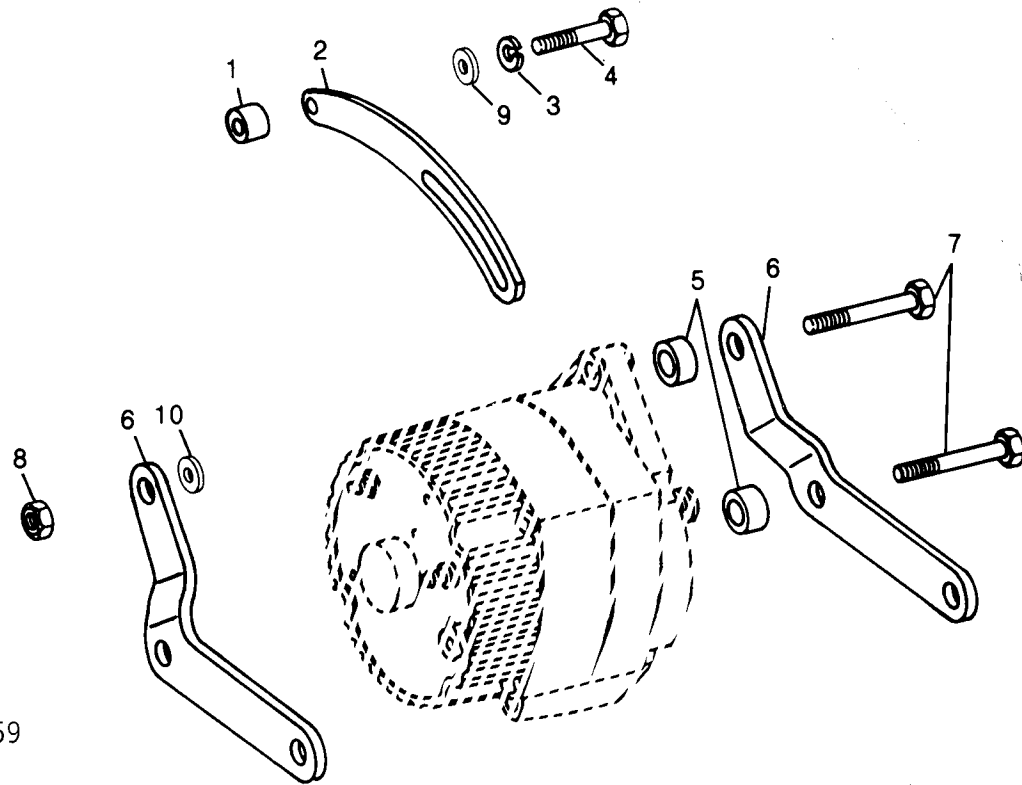
TP26028

Reproduced by permission of Deere & Company,
© 1988 Deere & Company All rights reserved.

Item	Qty.	Description Variation No.	Part No.	Item	Qty.	Description Variation No.	Part No.
1	1	Alternator 1	223663	11	1	Spacer, .423 x .675 x 1" 1	#
2	1	Sheave (pulley) 1	224096	12	1	Washer, M10 lock 1	#
3	1	Nut, M6 lock 1	#	13	1	Screw, M10 x 75 cap 1	#
4	2	Nut, M5 1	#	14	1	Nut, M10 1	#
5	1	Harness, wiring 1	223434	15	1	Lead, wiring 1	224006
6	1	Nut, M5 1	#				
7	1	Screw, M8 x 25 cap 1	#				
8	1	Washer, 5/16" lock 1	#				
9	1	Washer, 11/32 x 1 x .194" 1	#				
10	1	Shield 1	223485				

John Deere 6359TL

Group 51c Alternator Mounting



TP25659

Reproduced by permission of Deere & Company,
© 1988 Deere & Company All rights reserved.

Item	Qty.	Description Variation No.	Part No.	Item	Qty.	Description Variation No.	Part No.
1	1	Washer, .493 x .675 x 1/4" 1	#	6	2	Bracket 1	224033
2	1	Strap 1	224099	7	2	Screw, 3/8-16 x 3" 1	#
3	1	Washer, 3/8" 1	#	8	2	Nut, 3/8-16 1	#
4	1	Screw, 3/8-16 x 2-1/4" 1	#	9			not used
5	2	Spacer, 3/8 x 7/16" 1	#	10			not used

Common Hardware, Procure Locally
X Not Sold Separately

TP-5370 11/91
PRINTED IN U.S.A.

KOHLER® POWER SYSTEMS

KOHLER CO. KOHLER, WISCONSIN 53044
PHONE 414-565-3381, TELEX 26888, FAX 414-565-3648
FOR SALES & SERVICE IN U.S.A. & CANADA PHONE 1-800-544-2444