

Service Parts

Engine

Engine Models:

John Deere TO6059T

6059TL

CD6059F

6068F

Generator Models:

80–100 kW

Table of Contents

Description	Page	Description	Page
Introduction	1	Group 11a-11d: Starter Motor	34
Number Significance	1	Group 11a-d: Starter Motor	35
Exploded View Drawings	1	Group 12: Exhaust Manifold	36
How to Find Part Numbers	1	Group 13a: Flywheel	37
Generator Specification Number Index	2	Group 13b: Flywheel Housing	37
Group 1: Air Intake	5	Group 14: Fuel Pump	38
Group 2a: Water Pump	6	Group 15: Fuel Filter	39
Group 2b: Thermostat	8	Group 18: Timing Gear Cover	41
Group 2c: Fan Belt	10	Group 21a: Oil Pan	43
Group 3: Vent Tube	11	Group 21a: Oil Pan	44
Group 4a: Camshaft	12	Group 21b: Oil Fill Tube	45
Group 4b: Rocker Arms & Push Rods	13	Group 21c: Oil Cooler	46
Group 4c: Rocker Arm Cover	14	Group 21c: Oil Cooler	47
Group 5a: Fuel Injection Pump	16	Group 21d: Pressure Regulating Valve	48
Group 5b: Fuel Injection Nozzle	18	Group 22: Piston and Connecting Rod	49
Group 7: Cylinder Block	19	Group 25: Oil Pump	50
Group 8a: Crankshaft	21	Group 29: Front Plate	51
Group 8b: Crankshaft Pulley	23	Group 39a: Overhaul Gasket Set	52
Group 9: Cylinder Head	25	Group 39b: Cylinder Head Gasket Set	56
Group 10: Oil Filter and Dipstick	26	Group 42: Short Block	58
Group 11a: Starter Motor	28	Group 50a: Turbocharger	58
Group 11b: Starter Drive	29	Group 50b: Turbocharger Oil Lines	59
Group 11c: Starter End Frame	30	Group 51a: Alternator	62
Group 11d: Starter Main Frame	31	Group 51b: Alternator Components	64
Group 11e: Starter Solenoid	32	Group 51c: Alternator Mounting	66

Introduction

This manual contains a list of engine service replacement parts for John Deere diesel-fueled 6059 and 6068 series engines. Refer to the Specification Number Index for models and specifications covered. This manual includes the following main sections:

- *Table of Contents:* Lists the sections of this catalog.
- *Introduction (and other information sections):* Contains introductory material, followed by sections on specification numbers, part numbers and hardware.
- *Index:* Indexes generator set specifications and their groups.
- *Group Parts Lists:* Lists part numbers of parts in the groups. Illustrations are given for most parts.

Number Significance

This catalog uses a variety of numbering systems. A description of these follows:

- *Specification Number:* The generator specification number (spec number) is six digits with a PA-, PB-, or PE- prefix (Specification Number Index does not show prefixes). The first three digits designate generator size and engine model (specification series). The remaining digits are in sequence and identify a particular spec in a series. Spec numbers break down into groups.
- *Group Number:* A group consists of parts needed to perform one or more related functions. For example, Group 1 is the engine Air Intake group.
- *Variation Number:* A group might have several variations. Parts comprising each variation perform the same function, but parts lists vary. For example, a 50 Hz generator alternator and 60 Hz generator alternator both perform the same function. However, they are constructed of different parts. Each of these differences necessitates the assignment of a group variation number.
- *Part Number:* The part number identifies an individual assembly, subassembly, component, or accessory kit.

Exploded View Drawings

- *Exploded view drawings:* Each Group Parts List in this catalog is accompanied by one or more drawings which best represent a range of variations. The drawings are a guide to part identification—they are not intended for assembly, disassembly, or maintenance. **Engine Service and other manuals are the proper guides for assembly and maintenance.**

Some parts are drawn out of proportion to distinguish them. Some common parts are not drawn in detail. For example, the image of a hex cap screw is used to represent a range of screws. Use the text description and part number to completely identify a part.

How to Find Part Numbers

FOLLOW THESE STEPS to identify a part:

STEP 1: Turn to the Specification Number Index. The first column lists generator set specification numbers grouped by model. The headings across the top identify the groups of parts that make up the generator set. The intersection of the specification number and the group numbers is the variation number corresponding to the components of that specification number. Note the variation number.

STEP 2: Find the page number of the group in the Table of Contents and turn to that page or page forward until you find the group. Variation numbers in the column heading of the group page correspond to variations found in the Specification Number Index. Find the description of the part you need in the description column. The intersection of the description row with the variation column identifies the quantity of that part used in that group. Find the part number to order to the left of the description in the part number column.

Generator Specification Number Index

Group Title	<i>Air Intake</i>	<i>Water Pump</i>	<i>Thermostat & Housing</i>	<i>Fan Belt</i>	<i>Vent Tube</i>	<i>Camshaft</i>	<i>Rocker Arms & Push Rods</i>	<i>Rocker Arm Cover</i>	<i>Fuel Injection Pump</i>	<i>Fuel Injection Nozzle</i>	<i>Cylinder Block</i>	<i>Crankshaft</i>	<i>Crankshaft Pulley</i>	<i>Oil Filter & Dipstick</i>	<i>Starter Motor</i>	<i>Starter Drive</i>	<i>Starter End Frame</i>
-------------	-------------------	-------------------	---------------------------------	-----------------	------------------	-----------------	------------------------------------	-------------------------	----------------------------	------------------------------	-----------------------	-------------------	--------------------------	----------------------------------	----------------------	----------------------	--------------------------

Group No.	1	2a	2b	2c	3	4a	4b	4c	5a	5b	7	8a	8b	9	10	11a	11b	11c	
	Variation Number																		
Engine Model																			
80 kW*																			
TO6059T	1	1	1	1	1	1	1	1	1	1	1	1	1	1	1	1	1	1	1
CD6059T	1	2	1	1	1	1	2	2	3	1	1	2	1	2	1	1	1	1	1
6068T, 12 Volt	2	3	2	2	2	2	3	3	6	2	2	3	3	3	2	3	3	3	3
6068T, 24 Volt	2	3	2	2	2	2	3	3	7	2	2	3	3	3	2	2	2	2	2
100 kW																			
TO6059T	1	1	1	1	1	1	1	1	2	1	1	1	2	1	1	1	1	1	1
CD6059T	1	2	1	1	1	1	2	2	4	1	1	2	2	2	1	1	1	1	1
6068T, 12 Volt	2	3	2	2	2	2	3	3	5	2	2	3	3	3	2	3	3	3	3
6068T, 24 Volt	2	3	2	2	2	2	3	3	8	2	2	3	3	3	2	2	2	2	2

* These spec numbers use John Deere 6359TL engines on early model 80 kW generator sets and John Deere TO6059T engines on newer model 80 kW generator sets. Check engine nameplate to determine which engine is used. If John Deere 6359TL engine was used, refer to Parts Catalog TP-5370.

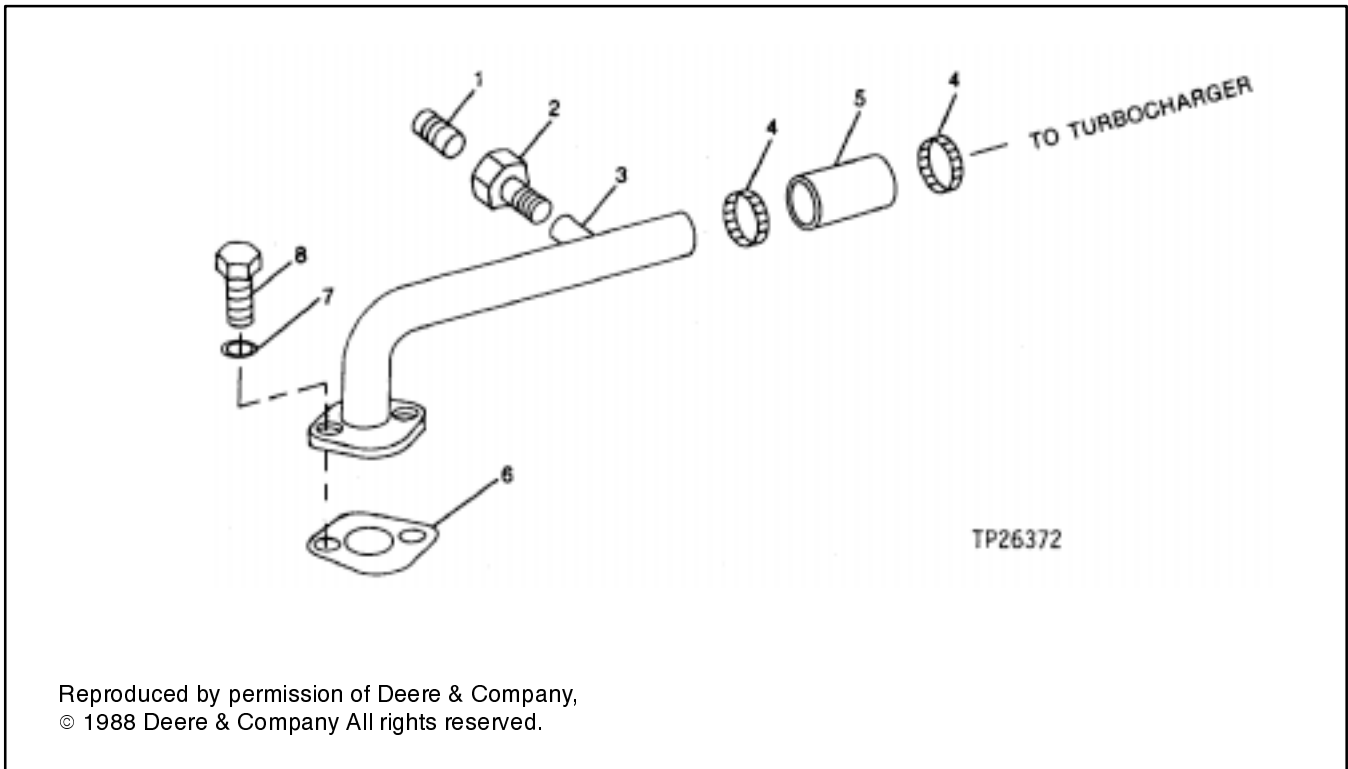
Generator Specification Number Index

Group Title	<i>Starter Main Frame</i>	<i>Starter Solenoid</i>	<i>Exhaust System</i>	<i>Flywheel</i>	<i>Flywheel Housing</i>	<i>Fuel Pump</i>	<i>Fuel Filter</i>	<i>Timing Gear Cover</i>	<i>Oil Pan</i>	<i>Oil Fill Tube</i>	<i>Oil Cooler</i>	<i>Oil Pressure Regulator Valve</i>	<i>Piston & Connecting Rod</i>	<i>Oil Pump</i>	<i>Front Plate</i>	<i>Overhaul Gasket Set</i>	<i>Cylinder Head Gasket Set</i>	<i>Short Block</i>
-------------	---------------------------	-------------------------	-----------------------	-----------------	-------------------------	------------------	--------------------	--------------------------	----------------	----------------------	-------------------	-------------------------------------	------------------------------------	-----------------	--------------------	----------------------------	---------------------------------	--------------------

Group No.	11d	11e	12	13a	13b	14	15	18	21a	21b	21c	21d	22	25	29	39a	39b	42	
	Variation Number																		
Engine Model																			
80 kW*																			
TO6059T	1	1	1	1	1	1	1	1	1	1	1	1	1	1	1	1	1	1	1
CD6059T	1	1	1	1	2	1	2	1	1	1	2	1	1	2	1	1	1	1	1
6068T, 12 Volt	3	3	2	2	3	2	3	2	2	2	3	1	2	3	2	2	2	2	2
6068T, 24 Volt	2	2	2	2	3	2	3	2	2	2	3	1	2	3	2	2	2	2	2
100 kW																			
TO6059T	1	1	1	1	1	1	1	1	1	1	1	1	1	1	1	1	1	1	1
CD6059T	1	1	1	1	2	1	2	1	1	1	2	1	1	2	1	1	1	1	1
6068T, 12 Volt	3	3	2	2	3	2	3	2	2	2	3	1	3	3	2	3	2	2	2
6068T, 24 Volt	2	2	2	2	3	2	3	2	2	2	3	1	3	3	2	3	2	2	2

* These spec numbers use John Deere 6359TL engines on early model 80 kW generator sets and John Deere TO6059T engines on newer model 80 kW generator sets. Check engine nameplate to determine which engine is used. If John Deere 6359TL engine was used, refer to Parts Catalog TP-5370.

Group 1: Air Intake



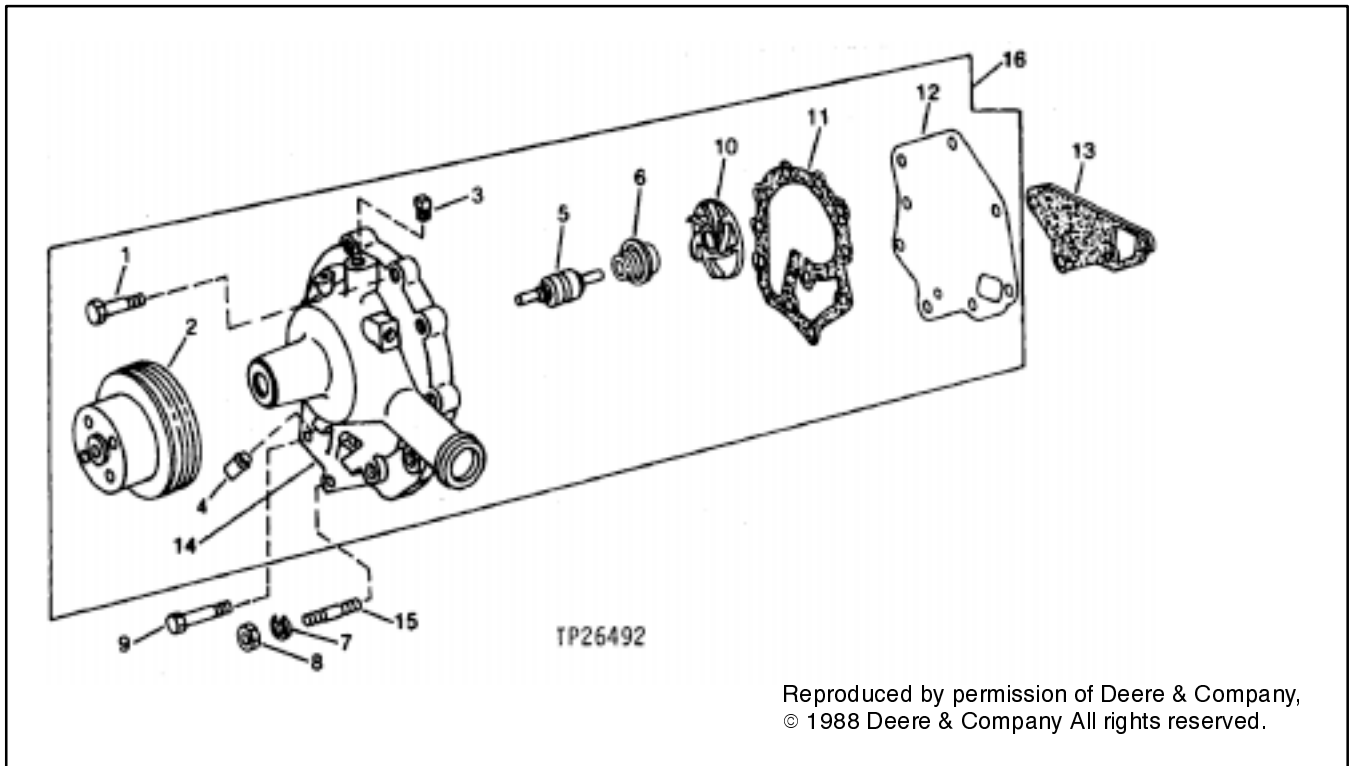
Reproduced by permission of Deere & Company,
© 1988 Deere & Company All rights reserved.

Item	Qty.	Description Variation	Part No.
1	1	Plug, 3/8NT pipe 1	#
	1	Plug 2	#
2	1	Fitting 1	224158
3	1	Tube 1	224160
	1	Intake Tube 2	360027
4	2	Clamp 1, 2	#

Item	Qty.	Description Variation	Part No.
5	1	Hose 1, 2	224152
6	1	Gasket 1, 2	223532
7	2	Washer, 3/8" lock 1	#
8	2	Screw, 3/8-16 x 1-1/4" 1	#
	2	Screw, M10 x 25 2	#

Common Hardware, Procure Locally
X Not Sold Separately

Group 2a: Water Pump



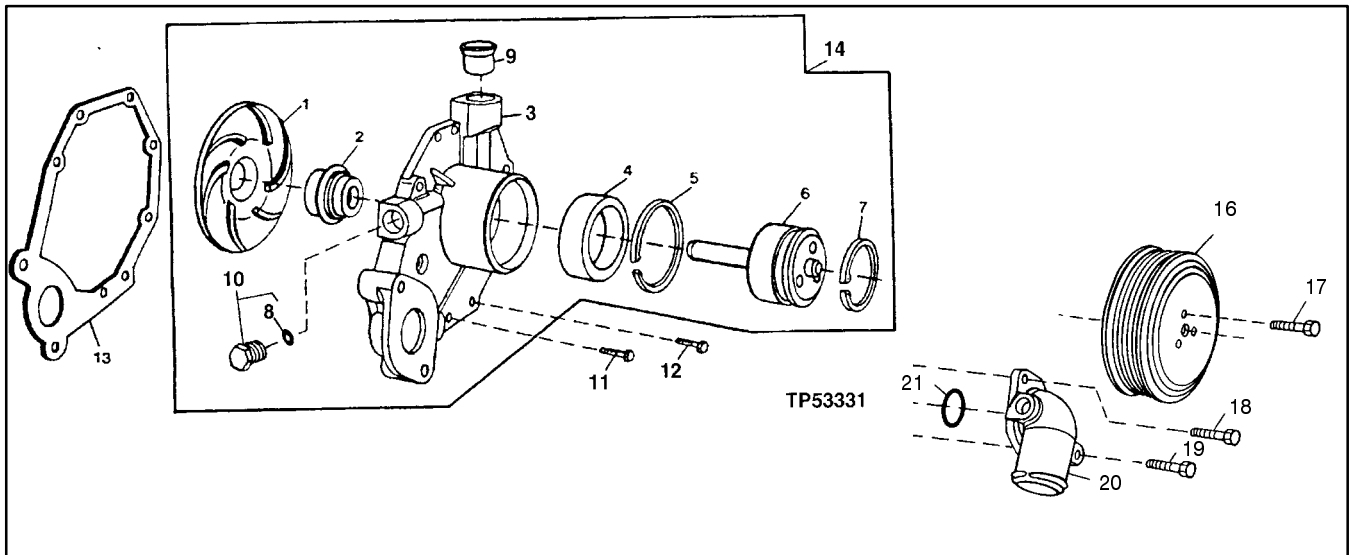
Reproduced by permission of Deere & Company,
© 1988 Deere & Company All rights reserved.

Item	Qty.	Description Variation	Part No.
1	4	Screw, 3/8-16 x 1-1/2" cap 1, 2	#
	1	Screw, 3/8-16 x 1" cap 1, 2	#
	1	Screw, 3/8-16 x 2-1/4" 1, 2	#
2	1	Pulley 1, 2	224030
3	1	Plug, 1/2NPT pipe 1, 2	#
4	1	Tube, 66 in. (17 mm) 1, 2	X
5	1	Bearing 1, 2	X
6	1	Bearing kit 1, 2	224169
7	1	Washer, 3/8" lock 1, 2	#
8	1	Nut, 3/8-16 1, 2	#
9	1	Screw, 3/8-16 x 2-1/2" cap 1, 2	#

Item	Qty.	Description Variation	Part No.
	1	Screw, 3/8-16 x 3" cap 1, 2	#
	1	Screw, 3/8-16 x 1-3/4" 1, 2	#
10	1	Impeller 1, 2	X
11	1	Gasket 1, 2	224029
12	1	Cover 1	X
	1	Cover 2	336484
13	1	Gasket 1, 2	223628
14	1	Housing 1, 2	X
15	1	Stud 1, 2	#
16	1	Pump, water 1, 2	224002

Common Hardware, Procure Locally
X Not Sold Separately

Group 2a: Water Pump

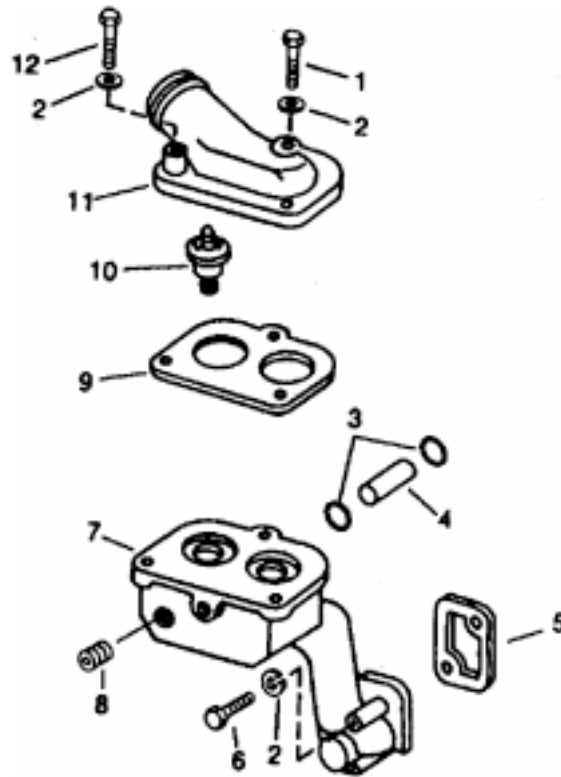


Item	Qty.	Description Variation	Part No.
1	1	Impeller 3	X
2	1	Seal 3	X
3	1	Housing 3	X
4	1	Ball Bearing 3	X
5	1	Ring 3	X
6	1	Shaft 3	X
7	1	Snap Ring 3	360003
8	1	O-Ring 3	360176
9	1	Seal 3	360116
10	1	Plug 3	360014
11	3	Screw, M6 x 30 3	#

Item	Qty.	Description Variation	Part No.
12	5	Screw, M6 x 25 3	#
13	1	Gasket 3	360124
14	1	Water Pump 3	360029
15	1	Water Pump Repair Kit (includes items 1-7, 9) 3	360061
16	1	Water Pump Pulley 3	360085
17	3	Screw, M6 x 12 3	#
18	1	Screw, M8 x 25 3	#
19	1	Screw, M8 x 65 3	#
20	1	Water Pump Adapter 3	360109
21	1	O-Ring 3	224174

Common Hardware, Procure Locally
X Not Sold Separately

Group 2b: Thermostat



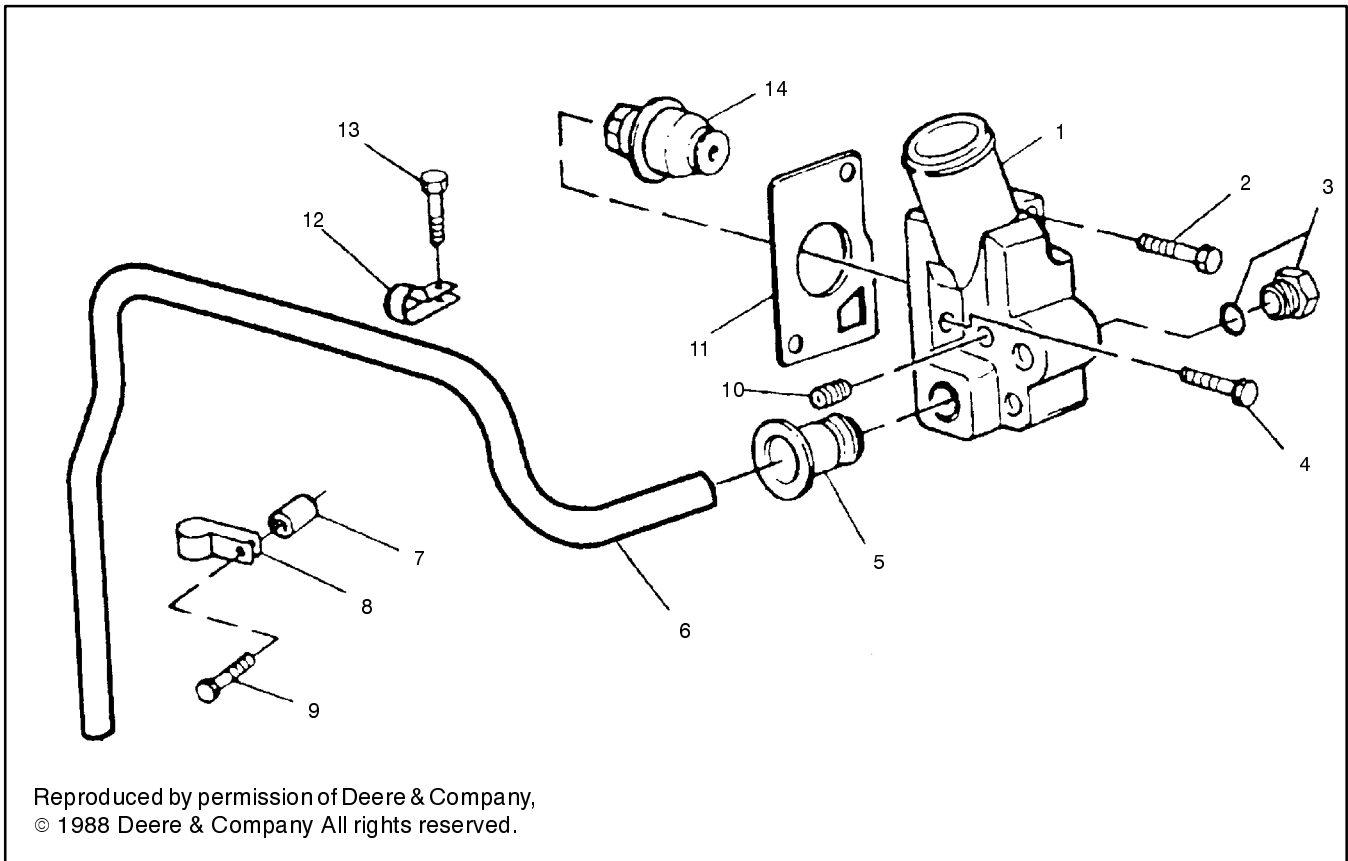
Reproduced by permission of Deere & Company,
 © 1988 Deere & Company All rights reserved.

Item	Qty.	Description Variation	Part No.
1	1	Screw, 3/8-16 x 1" cap	#
2	5	Washer, 3/8" lock	#
3	2	O-Ring	224028
4	1	Tube	224025
5	1	Gasket	224020
6	2	Screw, 3/8-16 x 3-1/2" cap	#
7	1	Housing	224036

Item	Qty.	Description Variation	Part No.
8	1	Plug, 1/2NPT pipe	#
9	1	Gasket	224012
10	2	Thermostat	223676
11	1	Cover	224013
12	2	Screw, 3/8-16 x 2"	#

Common Hardware, Procure Locally
 X Not Sold Separately

Group 2b: Thermostat



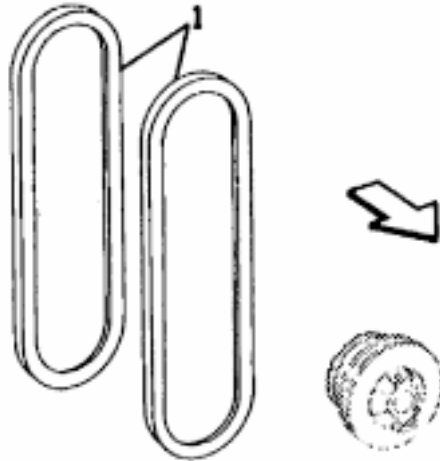
Reproduced by permission of Deere & Company,
 © 1988 Deere & Company All rights reserved.

Item	Qty.	Description Variation	Part No.
1	1	Cover, Thermostat	360126
2	1	Screw, M10 x 70	#
3	1	Plug	360013
4	2	Screw, M10 x 30	#
5	1	Seal	360116
6	1	Tube	360142
7	1	Washer, 0.423" x 0.675" x 3/8"	#
8	1	Clamp	360121

Item	Qty.	Description Variation	Part No.
9	1	Screw, M8 x 60	#
10	3	Pipe Plug, 1/2"	#
11	1	Gasket, Thermostat Cover	360106
12	1	Clamp	360120
13	1	Screw, M8 x 60	#
14	1	Thermostat	223595

Common Hardware, Procure Locally
 X Not Sold Separately

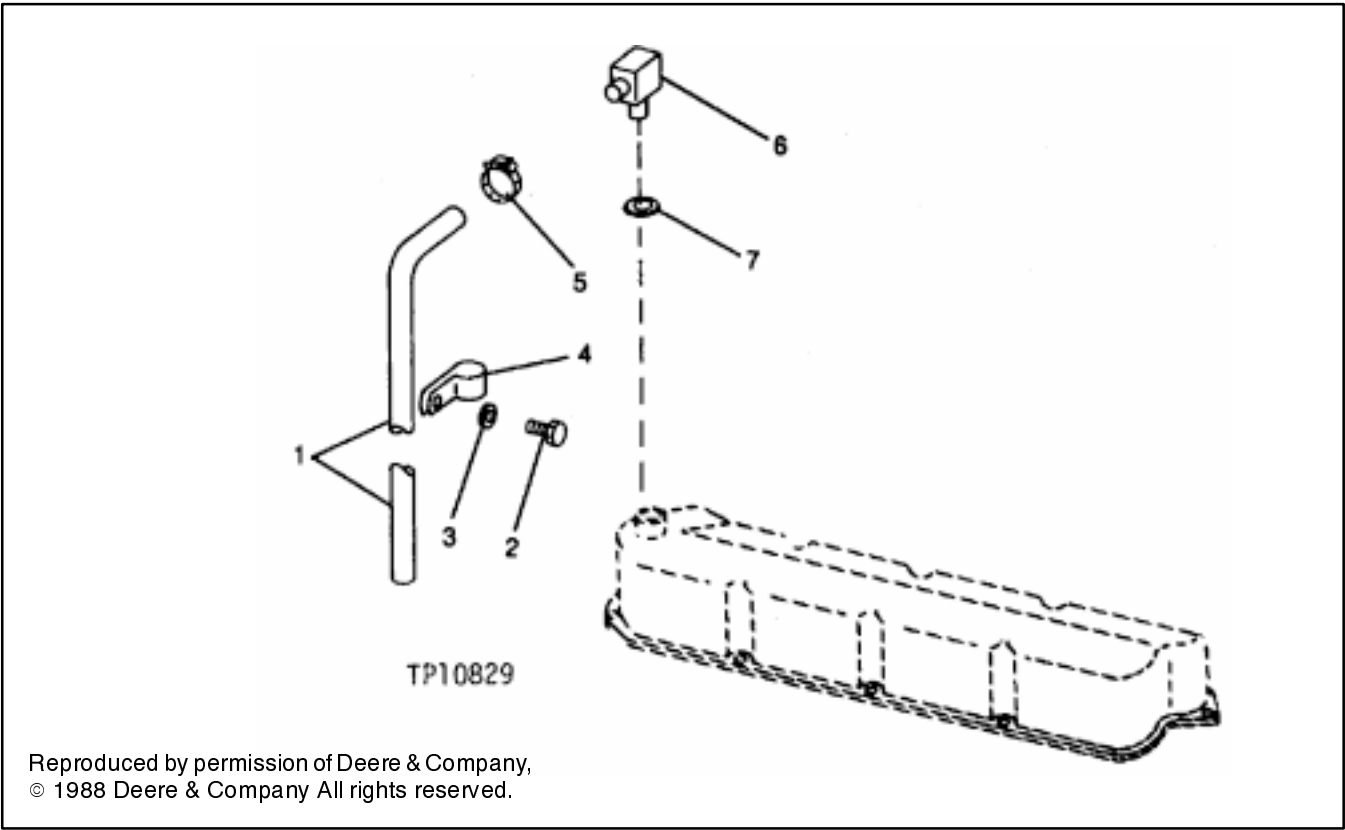
Group 2c: Fan Belt



Reproduced by permission of Deere & Company,
 © 1988 Deere & Company All rights reserved.

Item	Qty.	Description Variation	Part No.
1	1	Belt set (matched set) (engine models 6059T) 1	224256
	1	Belt set (matched set) (engine models CD6059T with serial numbers before 166391) 1	223995
	1	Belt set (matched set) (engine models CD6059T with serial numbers 166391 and after) 1	336593
	1	Fan Belt, Poly-V (1650mm) 2	360177

Group 3: Vent Tube



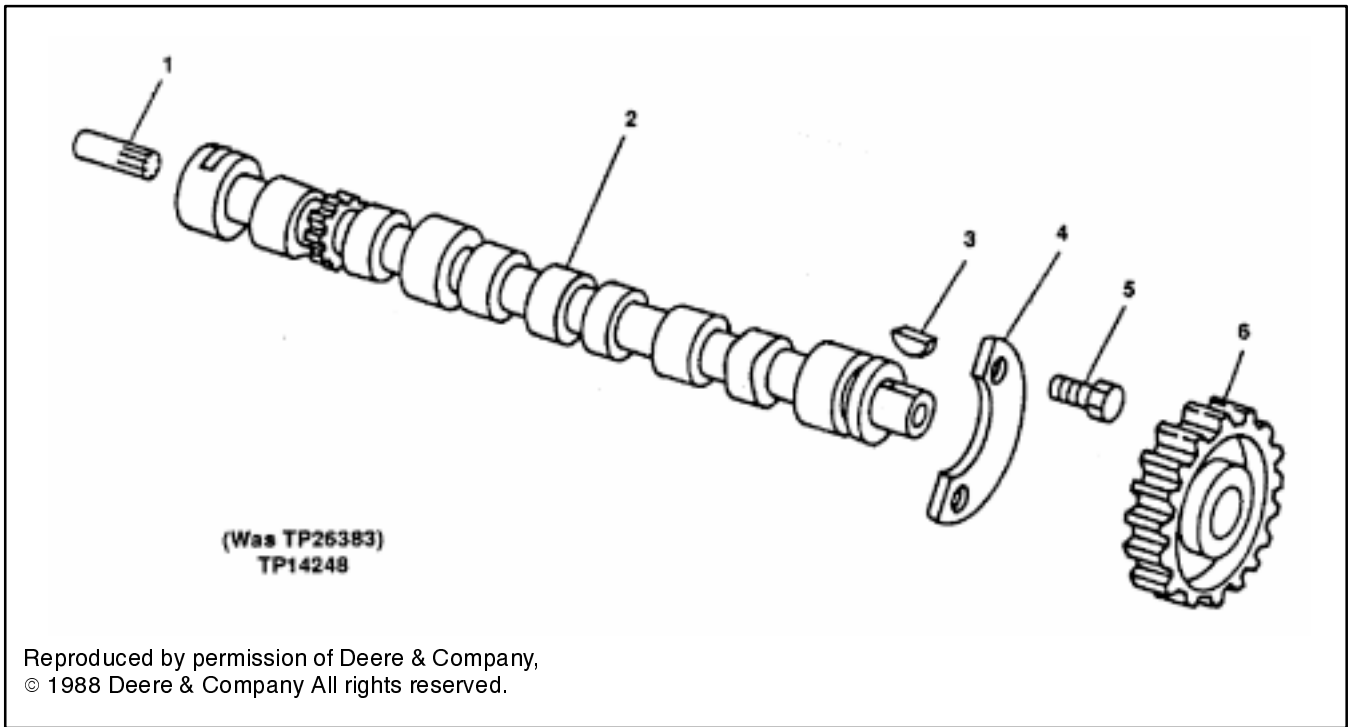
Reproduced by permission of Deere & Company,
 © 1988 Deere & Company All rights reserved.

Item	Qty.	Description Variation	Part No.
1	1	Hose 1	224237
	1	Hose 2	223450
2	1	Screw, 3/8-16 x 7/8" cap 1	#
	1	Screw, M8 x 20 2	#
3	1	Washer, 13/32 x 11/16 x .06" 1	#
	1	Washer, 3/8" lock 1	#
4	1	Clamp 1, 2	#

Item	Qty.	Description Variation	Part No.
5	1	Clamp 1	#
6	1	Fitting, elbow 1	223551
	1	Fitting, elbow 2	360098
7	1	O-Ring 1	223491
	1	O-Ring 2	223851

Common Hardware, Procure Locally
 X Not Sold Separately

Group 4a: Camshaft



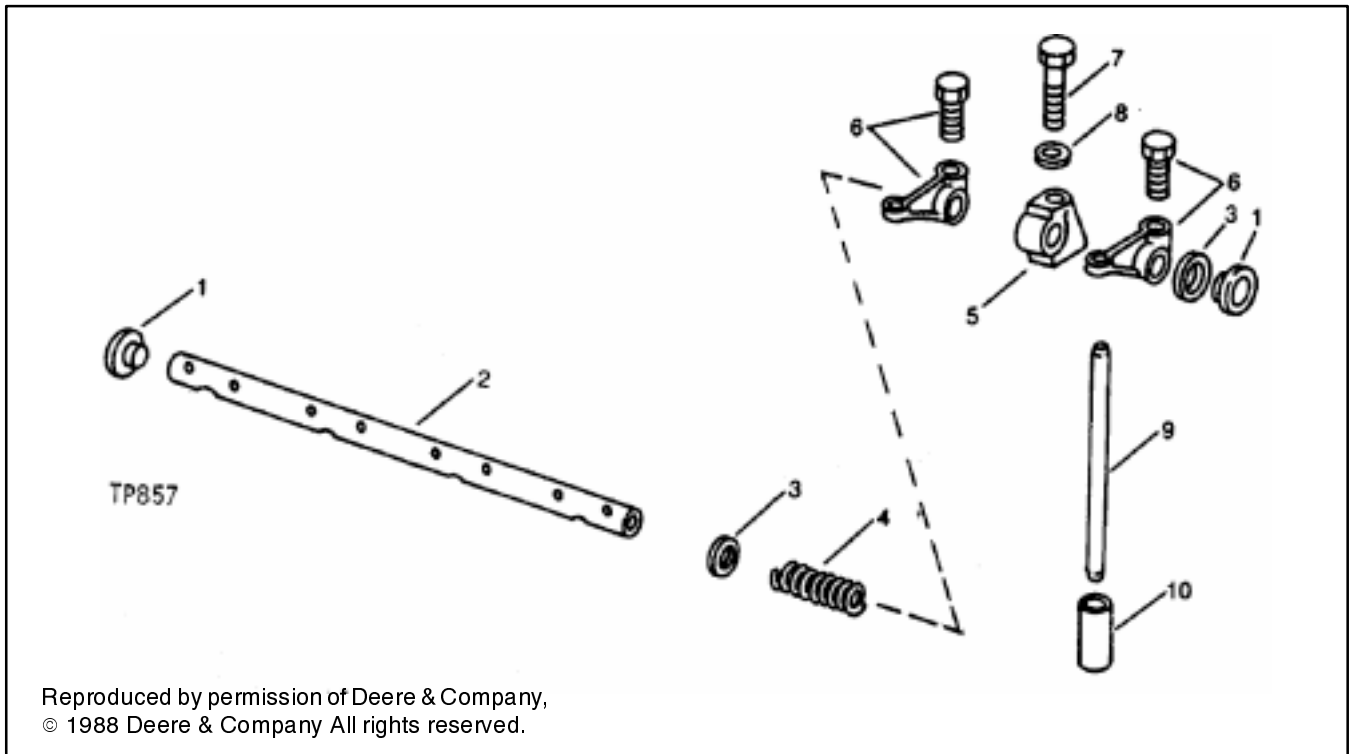
Reproduced by permission of Deere & Company,
© 1988 Deere & Company All rights reserved.

Item	Qty.	Description Variation	Part No.
1	1	Gear 1	224242
2	1	Camshaft 1	224057
	1	Camshaft 2	360160
3	1	Key, shaft 1	223654
	1	Key, shaft 2	360158
4	1	Plate, thrust 1	223610

Item	Qty.	Description Variation	Part No.
	1	Plate, thrust 2	360154
5	2	Screw, 3/8-16 x 1" 1	#
	2	Screw, M8 x 25 2	#
6	1	Gear (48 teeth) 1	223609
	1	Gear (60 teeth) 2	360161

Common Hardware, Procure Locally
X Not Sold Separately

Group 4b: Rocker Arms & Push Rods



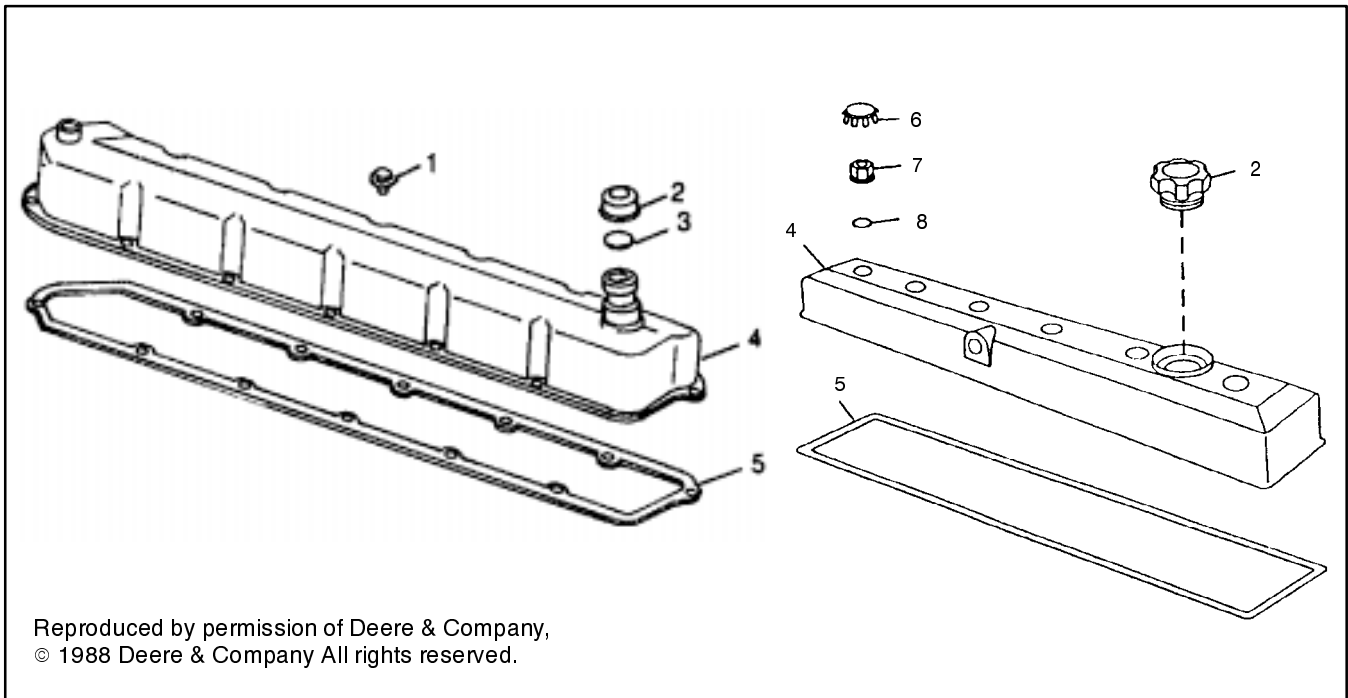
Item	Qty.	Description Variation	Part No.
1	2	Plug 1, 2, 3	223480
2	1	Shaft	224021
	1	Shaft 3	360132
3	2	Washer 1, 2	224194
	2	Washer 3	223634
4	5	Spring 1, 2, 3	223632
5	6	Support 1, 2	223633
	6	Support 3	360112
6	12	Arm, rocker 1, 2	223592
	12	Arm, rocker 3	360072

Item	Qty.	Description Variation	Part No.
7	6	Screw, 3/8-16 x 2-1/2" 1, 2	#
	6	Stud 3	360118
8	6	Washer 1, 2, 3	223756
9	12	Rod, push 1	223537
	12	Rod, push 2	336490
	12	Rod, push 3	352026
10	12	Tappet 1, 2	223611
	12	Tappet 3	360135

NOTE: Item 6 is required for installation of item 2 and should be ordered with item 2.

Common Hardware, Procure Locally
X Not Sold Separately

Group 4c: Rocker Arm Cover



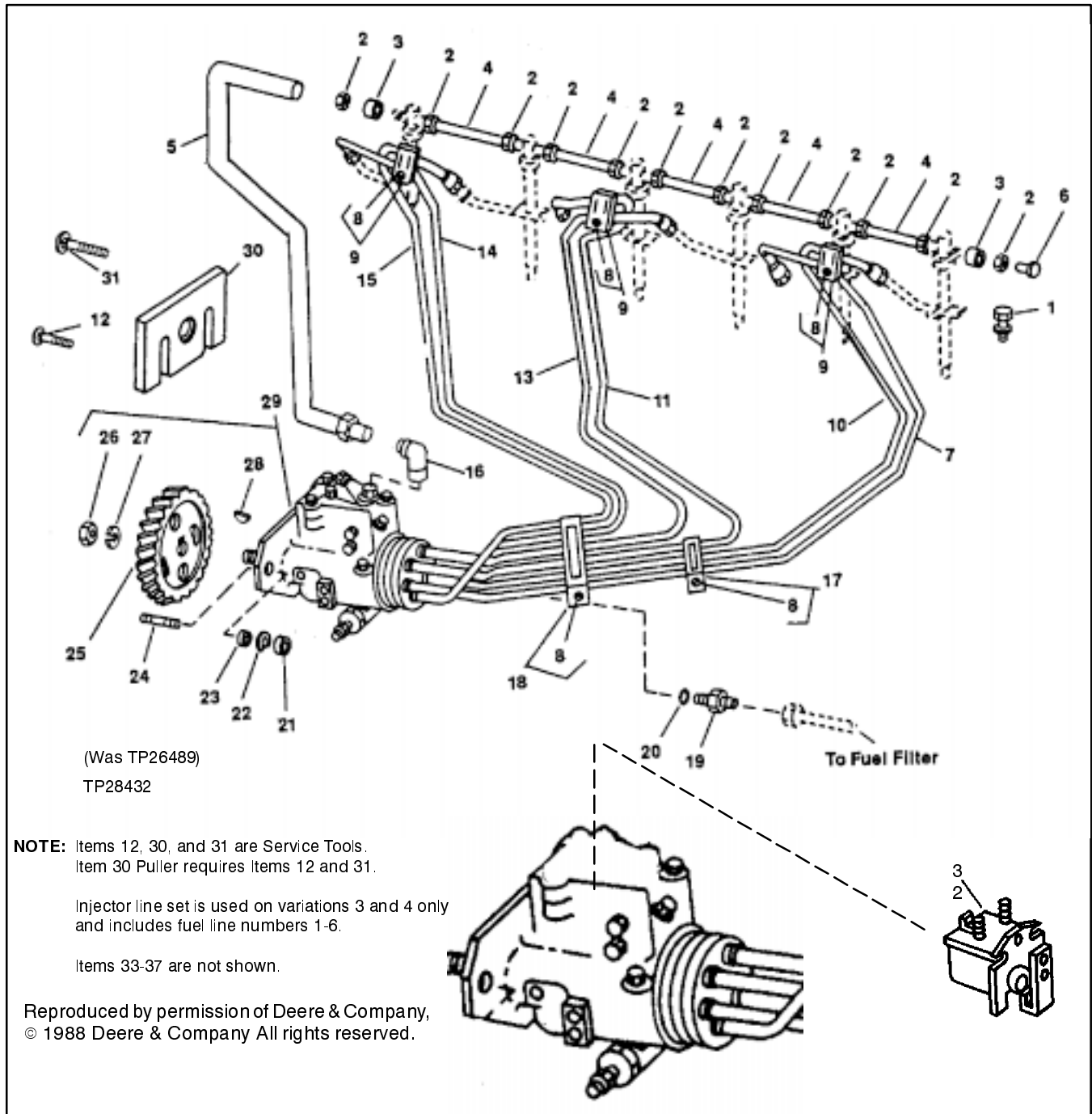
Item	Qty.	Description Variation	Part No.
1	12	Screw w/washer 1, 2	#
2	1	Cap, oil fill 1, 2	223630
	1	Cap, oil fill 3	360018
3	1	Gasket 1, 2	223636
4	1	Cover, valve 1	224003
	1	Cover, valve 2	336480

Item	Qty.	Description Variation	Part No.
5	1	Gasket 1, 2	224150
	1	Gasket 3	360134
6	6	Plug 3	360004
7	6	Nut 3	360138
8	6	O-Ring 3	360139

Common Hardware, Procure Locally
 X Not Sold Separately

NOTES

Group 5a: Fuel Injection Pump



Item	Qty.	Description Variation	Part No.
1	1	Screw, cap 1, 2, 3, 4	#
2	12	Fitting 1, 2, 3, 4	223477
	12	Nut 5, 6, 7, 8	360141
3	12	Packing (seal) 1, 2, 3, 4, 5, 6, 7, 8	223476

Item	Qty.	Description Variation	Part No.
4	5	Tube (leakoff) 1, 2, 3, 4, 5, 6, 7, 8	223504
5	1	Line, fuel (leakoff) 1, 2, 3, 4	224185
	1	Line, fuel 5, 6	360035

Group 5a: Fuel Injection Pump

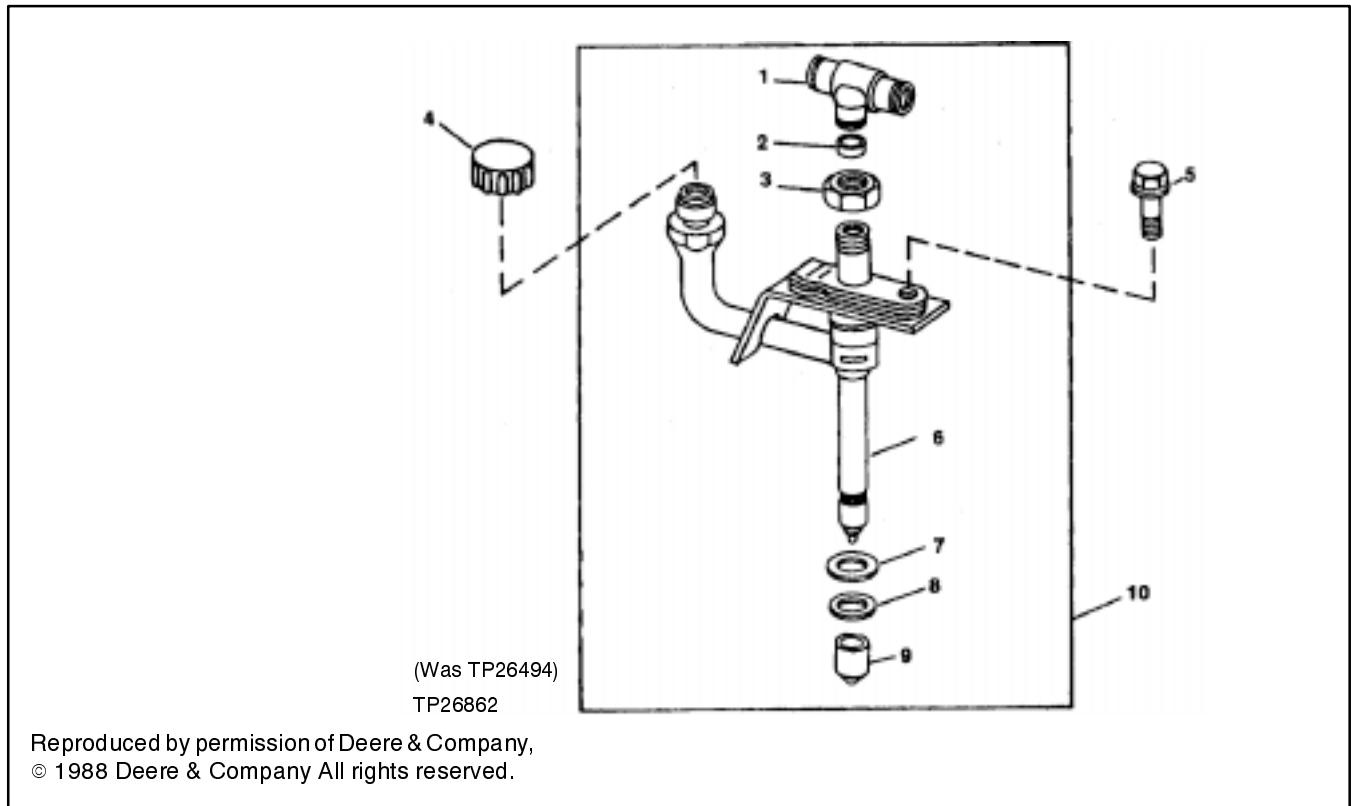
Item	Qty.	Description Variation	Part No.
6	1	Rivet, 1/4 x 5/8" 1, 2, 3, 4	#
	1	Plug 5, 6, 7, 8	223710
7	1	Line, no. 5 fuel 1, 2	224253
	1	Injection Line Set (Includes line numbers 1-6) 3, 4	336481
	1	Line, no. 5 fuel 5, 6, 7, 8	360042
8	5	Screw, M6 x 10 cap 1, 2, 3, 4, 5, 6, 7, 8	#
9	3	Clamp 1, 2, 3, 4, 5, 6, 7, 8	223572
10	1	Line, no. 6 fuel 1, 2	224254
	1	Injection Line Set (See item 7) 3, 4	X
	1	Line, no. 6 fuel 5, 6, 7, 8	360043
11	1	Line, no. 3 fuel 1, 2	224251
	1	Injection Line Set (See item 7) 3, 4	X
	1	Line, no. 3 fuel 5, 6, 7, 8	360040
12	1	Screw, M6 x 40 1, 2, 3, 4	#
13	1	Line, no. 4 fuel 1, 2	224252
	1	Injection Line Set (See item 7) 3, 4	X
	1	Line, no. 4 fuel 5, 6, 7, 8	360041
14	1	Line, no. 1 fuel 1, 2	224246
	1	Injection Line Set (See item 7) 3, 4	X
	1	Line, no. 1 fuel 5, 6, 7, 8	360038
15	1	Line, no. 2 fuel 1, 2	224250
	1	Injection Line Set (See item 7) 3, 4	X
	1	Line, no. 2 fuel 5, 6, 7, 8	360039
16	1	Fitting, elbow 1, 2	224174
	1	Fitting 5, 6, 7, 8	360036
17	1	Clamp (lines nos. 3, 5, and 6) 1, 2, 3, 4	224071
	1	Clamp (lines 3, 4, 5, 6) 5, 6, 7, 8	223573

Item	Qty.	Description Variation	Part No.
18	1	Clamp 1, 2, 3, 4, 5, 6, 7, 8	224070
19	1	Fitting, elbow 1, 2, 3, 4	224154
	1	Fitting 5, 6, 7, 8	360037
20	1	O-Ring 1, 2, 3, 4	223456
	1	O-Ring 5, 6, 7, 8	360178
21	3	Nut, 5/16-18 1, 2, 3, 4, 5, 6, 7, 8	#
22	3	Washer, 5/16" lock 1, 2, 3, 4	#
23	3	Washer 1, 2, 3, 4	#
24	3	Stud 1, 2, 3, 4, 5, 6	#
25	1	Gear 1, 2, 3, 4	224238
	1	Gear 5, 6, 7, 8	360153
26	1	Nut 1, 2, 3, 4, 5, 6, 7, 8	224161
27	1	Washer, lock 1, 2, 3, 4, 5, 6, 7, 8	#
28	1	Key, shaft 1, 2, 3, 4, 5, 6, 7, 8	223406
29	1	Pump, fuel injection 1, 3 2, 4 5 6 7 8	224255 224163 360070 360069 360068 360045
30	1	Puller (service tool) 1, 2, 3, 4	Not Available
31	1	Screw, 1/2-13 x 1-1/4 1, 2, 3, 4	#
32	1	Solenoid, fuel shut off 1, 2, 3, 4	224367
33	1	Screw, M8 x 16 5, 6, 7, 8	#
34	1	Bracket 5, 6, 7, 8	360088
35	1	Clamp 5, 6, 7, 8	360171
36	1	Nut, M8 5, 6, 7, 8	#
37	1	Clamp, black (lines 5 and 6) 5, 6, 7, 8	360007

Common Hardware, Procure Locally

X Not Sold Separately

Group 5b: Fuel Injection Nozzle

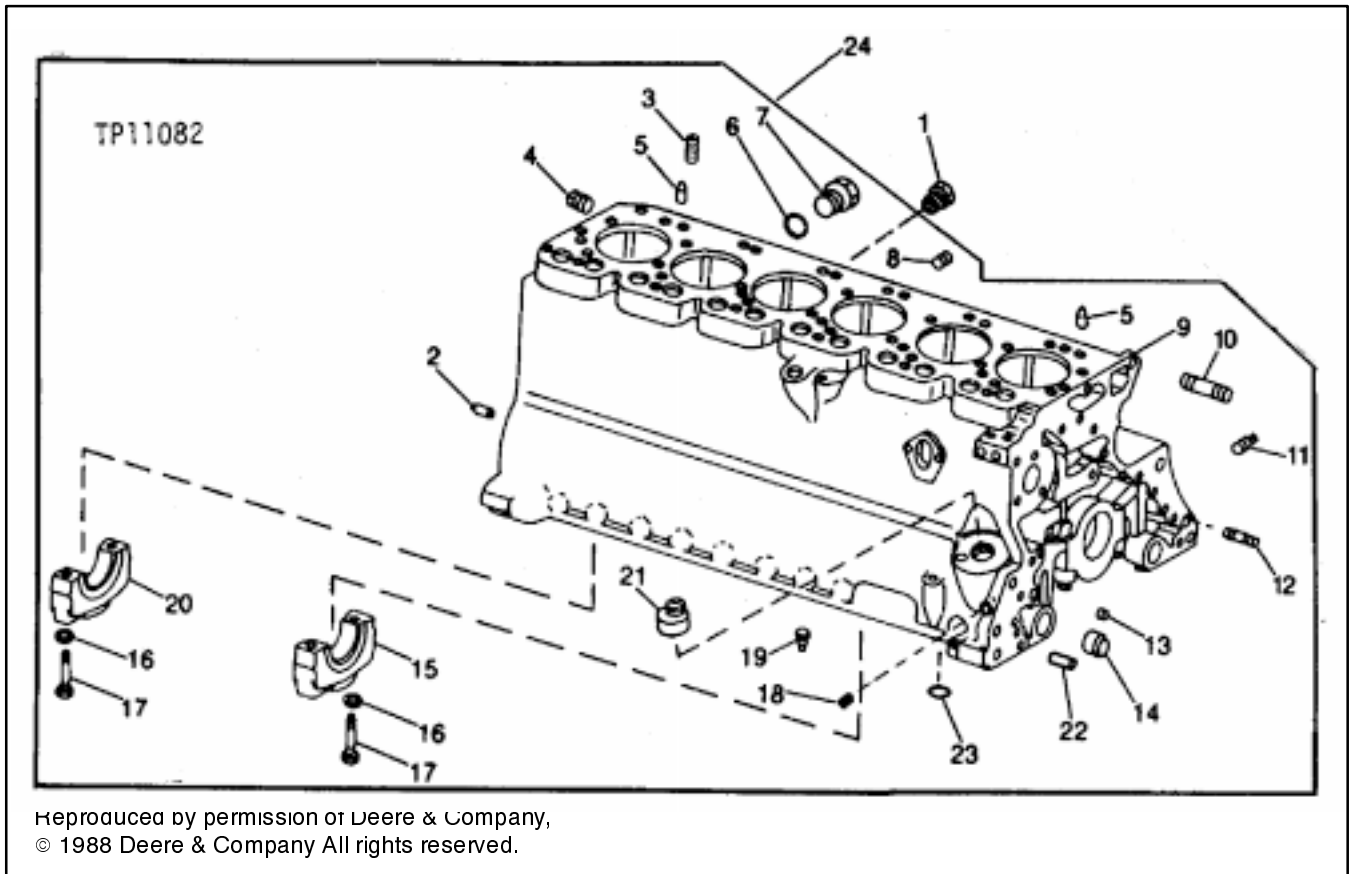


Item	Qty.	Description Variation	Part No.
1	1	Fitting, tee 1	223519
	1	Fitting, tee 2	360167
2	1	Sleeve 1, 2	223518
3	1	Nut 1, 2	223517
4	1	Plug 1	223660
5	1	Screw, cap 1	224188
	1	Screw 2	360091

Item	Qty.	Description Variation	Part No.
6	1	Nozzle 1, 2	X
7	1	Packing (seal) 1, 2	X
8	1	Washer 1, 2	X
9	1	Plug 1, 2	224257
10	1	Nozzle, injection 1	224171
	1	Nozzle, injection 2	360017

Common Hardware, Procure Locally
X Not Sold Separately

Group 7: Cylinder Block



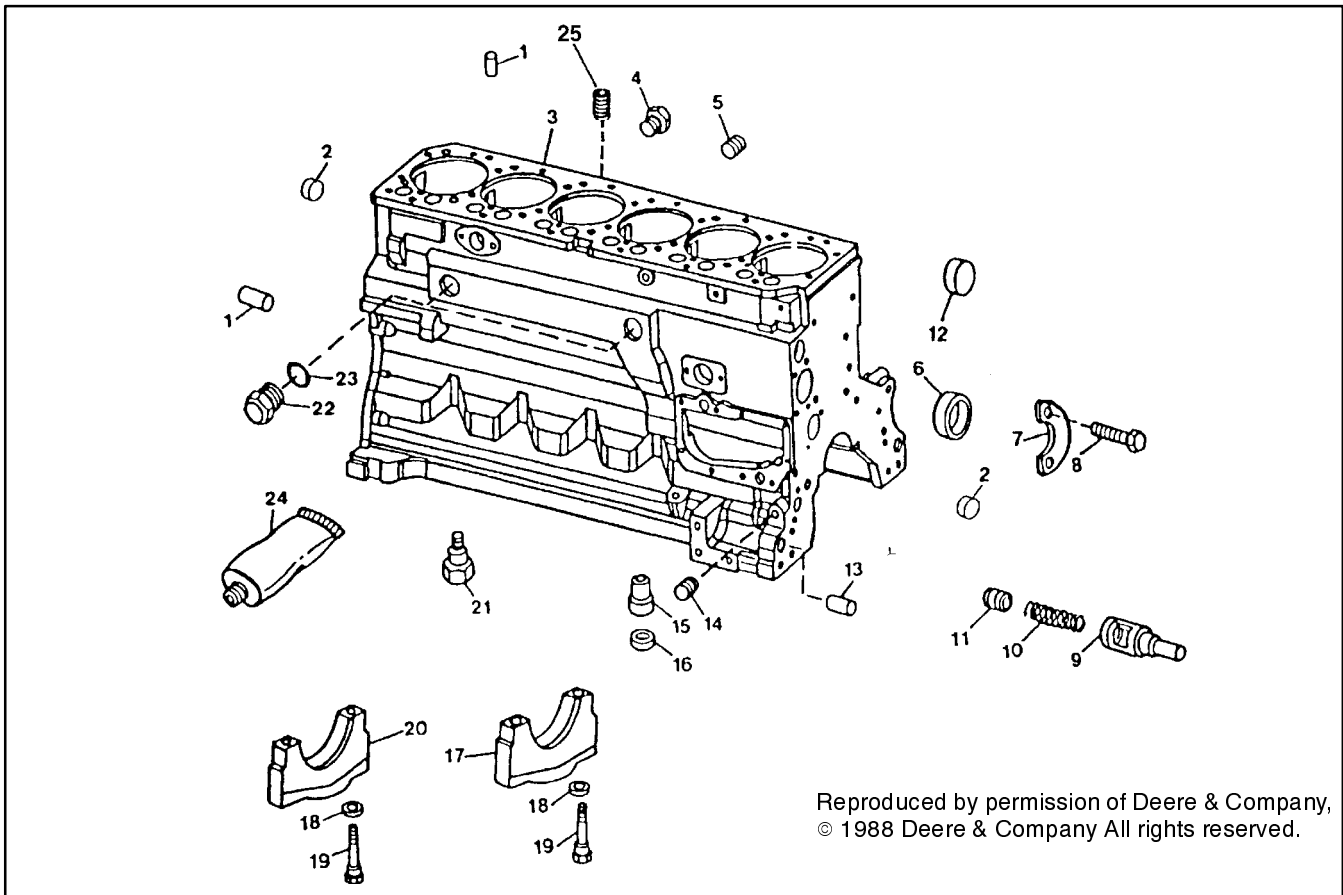
Reproduced by permission of Deere & Company,
 © 1988 Deere & Company All rights reserved.

Item	Qty.	Description Variation	Part No.
1	1	Plug, pipe 1	223802
2	2	Pin, dowel 1	223472
3	1	Plug, 1/2NPT pipe 1	#
4	1	Plug, pipe 1NPT, 1/2" sq. cntsk. 1	#
5	1	Pin, dowel 1	223472
6	1	O-Ring 1	223988
7	1	Plug, drain 1	223462
8	1	Plug, 1/4NPT pipe 1	#
9	1	Block, cylinder 1	X
10	2	Stud 1	223662
11	7	Plug, 1/8NPT pipe (sq. countersunk) 1	#
12	1	Stud 1	X
13	2	Cap 1	X

Item	Qty.	Description Variation	Part No.
14	1	Bushing (oil pressure relief valve) 1	X
15	6	Cap, main bearing 1	223503
16	14	Washer 1	224089
17	14	Screw 1	223639
18	1	Plug, 3/8NPT pipe 1	#
19	6	Orifice 1	X
20	1	Cap, rear main bearing 1	223516
21	1	Nipple, threaded 1	223638
22	2	Pin, dowel 1	X
23	1	O-Ring (oil pump tube) 1	223512
24	1	Block, cylinder 1	224081

Common Hardware, Procure Locally
 X Not Sold Separately

Group 7: Cylinder Block

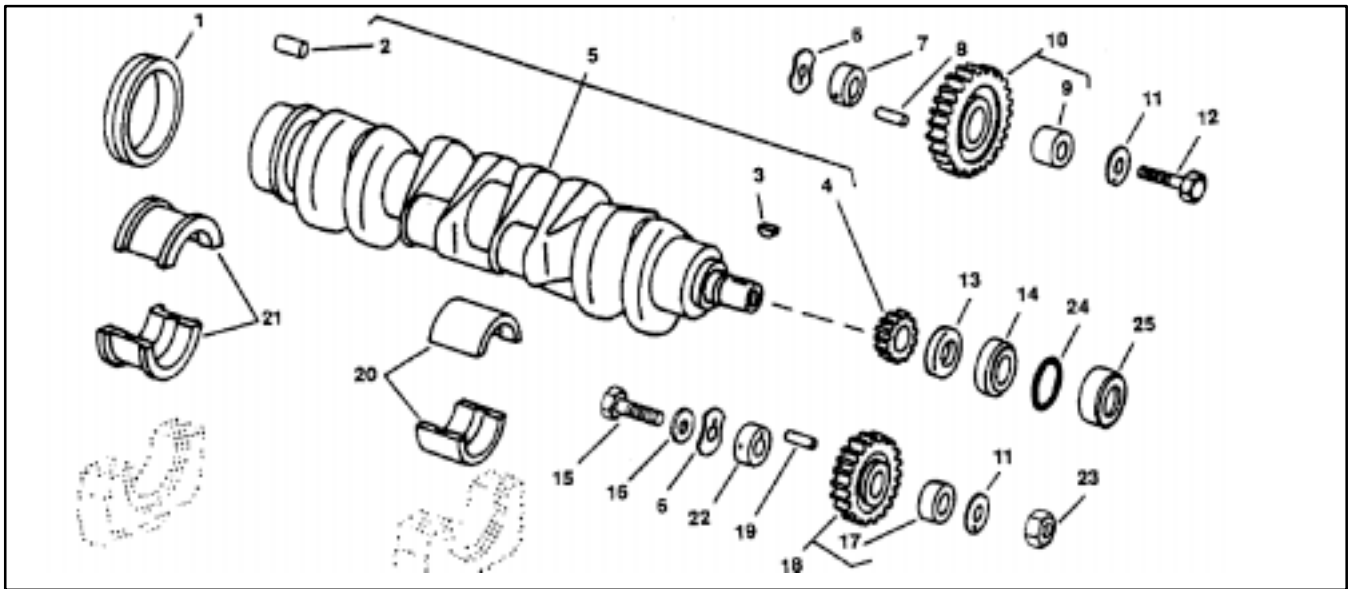


Item	Qty.	Description Variation	Part No.
1	1	Dowel Pin	223472
	2		
2	1	Cap	X
	2		
3	1	Short Block Assembly	See Group 42
	2		
4	1	Pipe Plug, 1/4"	#
	2		
5	7	Pipe Plug, 1/8 NPT square countersunk	#
	2		
6	1	Bushing, camshaft	352246
	2		
7	1	Plate thrust	360154
	2		
8	2	Screw, M8 x 25	#
	2		
9	1	Valve, engine oil bypass	360103
	2		
10	1	Spring	360080
	2		
11	1	Bushing	X
	2		
12	1	Plug	360093
	2		
13	2	Dowel Pin	X
	2		

Item	Qty.	Description Variation	Part No.
14	1	Pipe Plug, 1"	#
	2		
15	1	Bushing	360087
	2		
16	1	O-Ring	223512
	2		
17	1	Bearing Cap, main bearing	360084
	2		
18	14	Washer	224089
	2		
19	14	Cap Screw	223639
	2		
20	1	Bearing Cap, main thrust bearing	360151
	2		
21	6	Jet	360146
	2		
22	2	Drain Plug	223462
	2		
23	2	O-Ring	223988
	2		
24	1	Plastic Gasket	360173
	2		
25	1	Pipe Plug, 1/2"	#
	2		

Common Hardware, Procure Locally
X Not Sold Separately

Group 8a: Crankshaft

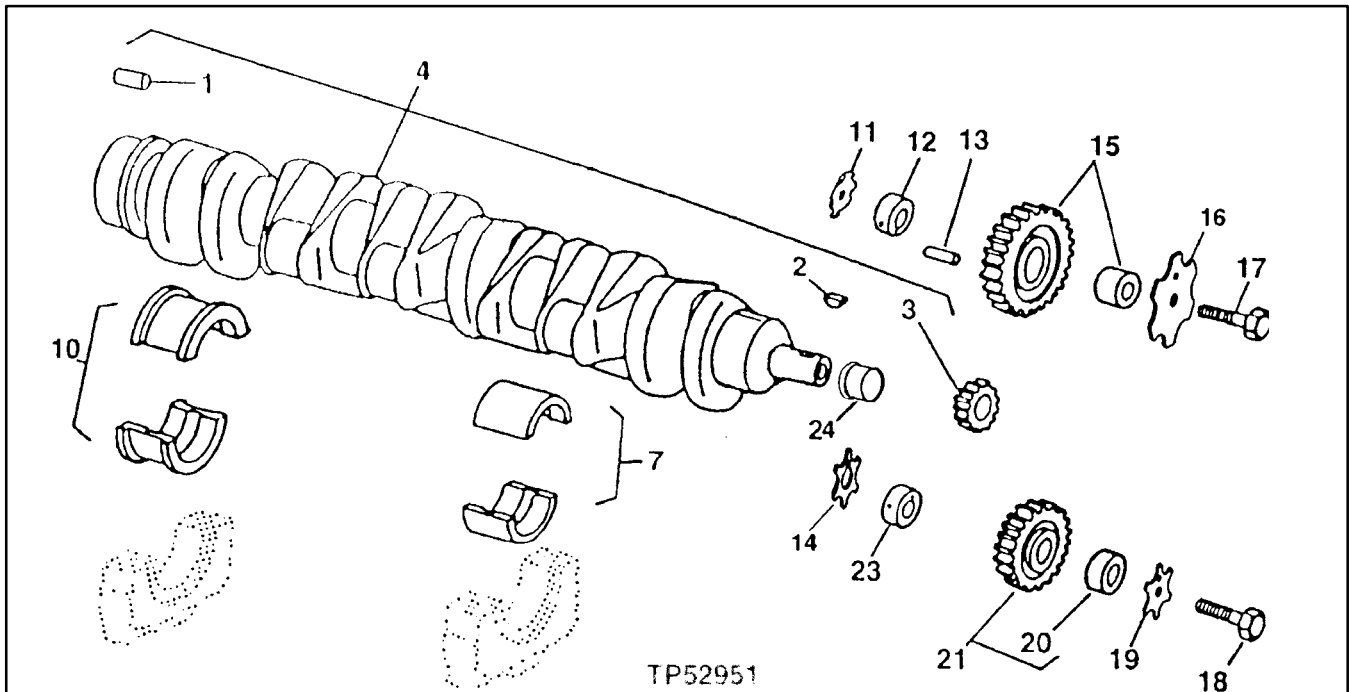


Item	Qty.	Description Variation	Part No.
1	1	Seal	223583
2	1	Pin, dowel	223472
3	1	Key, shaft 1/8 x 5/8"	223407
4	1	Gear	223615
5	1	Crankshaft	224004
6	2	Washer, thrust	223649
	2	Washer, thrust	336487
7	1	Shaft (pin)	224186
	1	Shaft (pin)	336489
8	1	Pin, spring 3/16 x 1-1-/8"	223408
9	1	Bushing	223606
10	1	Gear (55 teeth)	223432
11	2	Washer, thrust	223651
	2	Washer, thrust	336488
12	1	Screw	223652
13	1	Slinger, oil	223607
14	1	Seal	223422
15	1	Screw, 1/2-20 x 2-1/8" cap	#
16	2	Washer	X

Item	Qty.	Description Variation	Part No.
17	1	Bushing	223984
18	1	Gear (45 teeth)	223729
19	1	Pin, spring 3/16 x 1-1-/8"	223408
20	4	Bearing std.	223728
	4	Bearing .002" (.05 mm) U/S	223719
	4	Bearing .010" (.25 mm) U/S	223720
	4	Bearing .020" (.51 mm) U/S	223721
	4	Bearing .030" (.76 mm) U/S	223722
21	1	Bearing std.	223727
	1	Bearing .002" (.05 mm) U/S	223723
	1	Bearing .010" (.25 mm) U/S	223724
	1	Bearing .020" (.51 mm) U/S	223725
	1	Bearing .030" (.76 mm) U/S	223726
22	1	Shaft (pin)	224186
	1	Shaft (pin)	336489
23	1	Nut, 1/2-13	#
24	1	Ring	224007
25	1	Sleeve	224056

Common Hardware, Procure Locally
X Not Sold Separately

Group 8a: Crankshaft

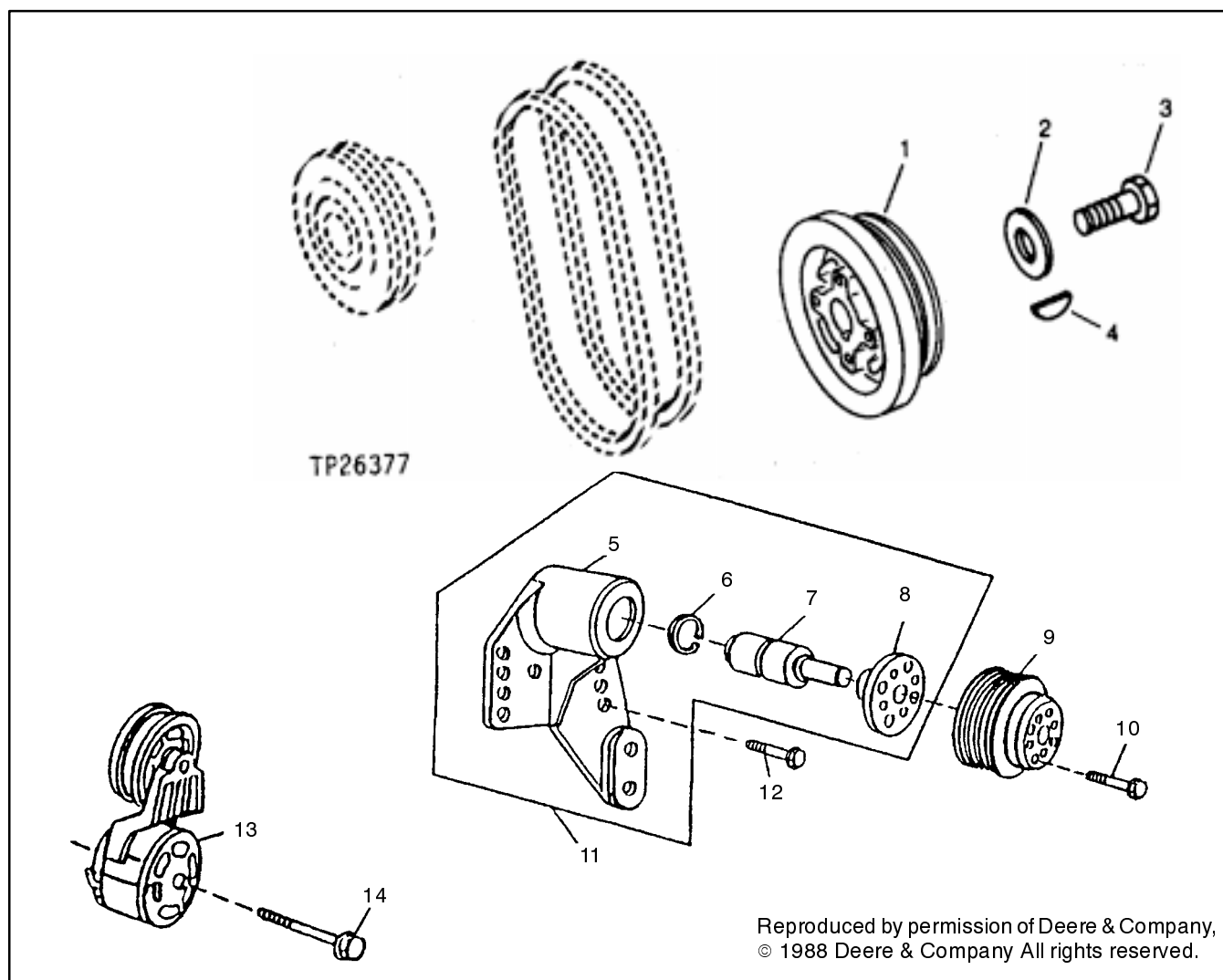


Item	Qty.	Description Variation	Part No.
1	1	Dowel Pin	223472
2	1	Shaft Key (4mm x 16mm)	#
3	1	Gear, 30 teeth	360099
4	1	Crankshaft (also order item 24)	360019
7	6	Bearing, standard	360049
	6	Bearing, undersize .254mm	360055
10	1	Bearing, standard	360050
	1	Bearing, undersize .254mm	360059
11	1	Lock Washer	360113
12	1	Shaft	360101
13	1	Spring Pin 3/16" x 1 3/4"	360179

Item	Qty.	Description Variation	Part No.
14	1	Thrust Washer	336446
15	1	Gear	360020
16	1	Thrust Washer	360147
17	1	Screw, M10 x 65	#
18	1	Screw, M10 x 50	#
19	1	Thrust Washer	360148
20	1	Bushing	360082
21	1	Gear	360021
22	1	Spring Pin 3/16" x 1 1/8"	223408
23	1	Shaft	360083
24	1	Sleeve	360032

Common Hardware, Procure Locally
X Not Sold Separately

Group 8b: Crankshaft Pulley

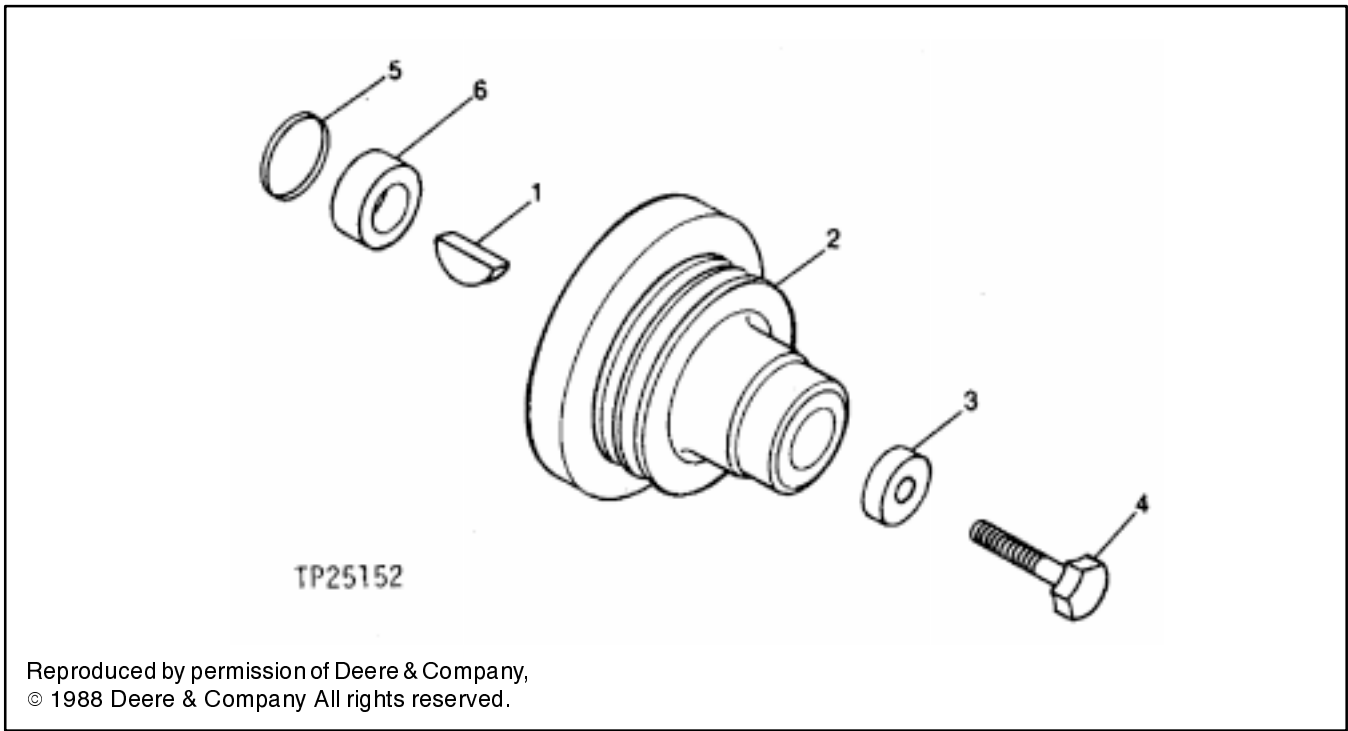


Item	Qty.	Description Variation	Part No.
1	1	Pulley w/dampener	224063
		1	
	1	Pulley, crankshaft	360157
		3	
2	1	Washer M12 (.472")	#
		1	
3	1	Screw, 1/2-13 x 1-3/4 cap	223541
		1	
	4	Screw, cap	360111
		3	
4	1	Key, shaft 5/16 x 1-1/8"	#
		1	
5	1	Housing	X
		3	
6	1	Snap Ring	223730
		3	
7	1	Bearing	360095
		3	

Item	Qty.	Description Variation	Part No.
8	1	Hub	360096
		3	
9	1	Sheave (pulley)	360143
		3	
10	4	Screw, M10 x 20	#
		3	
11	1	Bearing Housing	360030
		3	
12	4	Screw, M10 x 35	#
		3	
13	1	Tensioner	360075
		3	
14	1	Screw, M10 x 65	#
		3	

Common Hardware, Procure Locally
X Not Sold Separately

Group 8b: Crankshaft Pulley

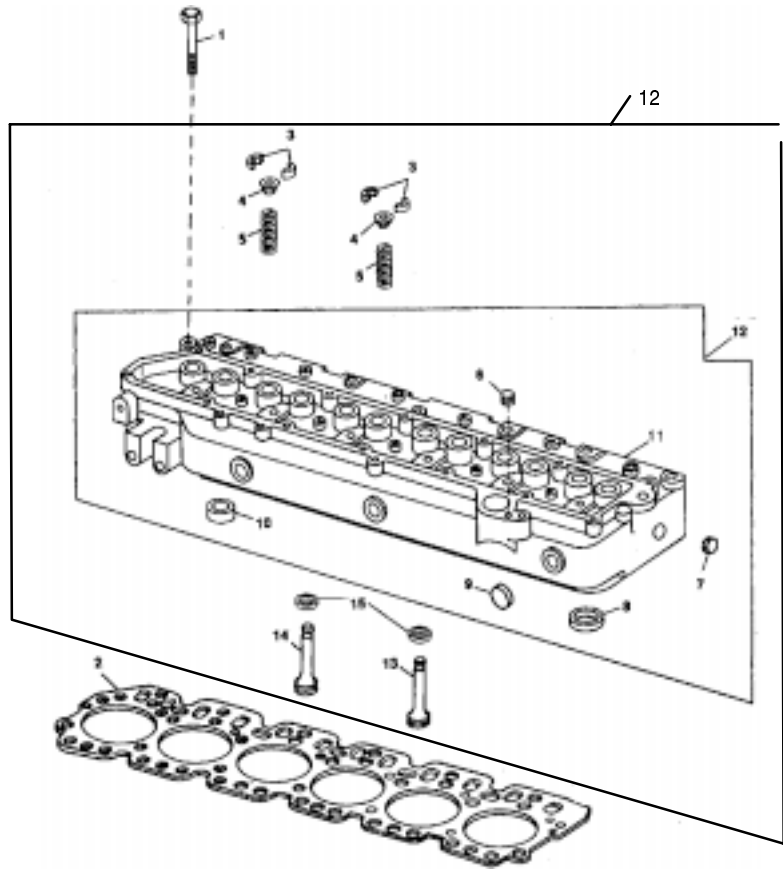


Item	Qty.	Description Variation	Part No.
1	1	Shaft, key 5/16 x 1-1/8" 2	#
2	1	Pulley, with dampener (idler) 2	224180
3	1	Spacer, M12 (.472") 2	#
4	1	Screw, 1/2 x 1-3/4 cap 2	223541

Item	Qty.	Description Variation	Part No.
5	1	Ring 2	224007
6	1	Sleeve 2	224056

Common Hardware, Procure Locally
X Not Sold Separately

Group 9: Cylinder Head



Reproduced by permission of Deere & Company,
© 1988 Deere & Company All rights reserved.

(Was TP26717)

TP28391

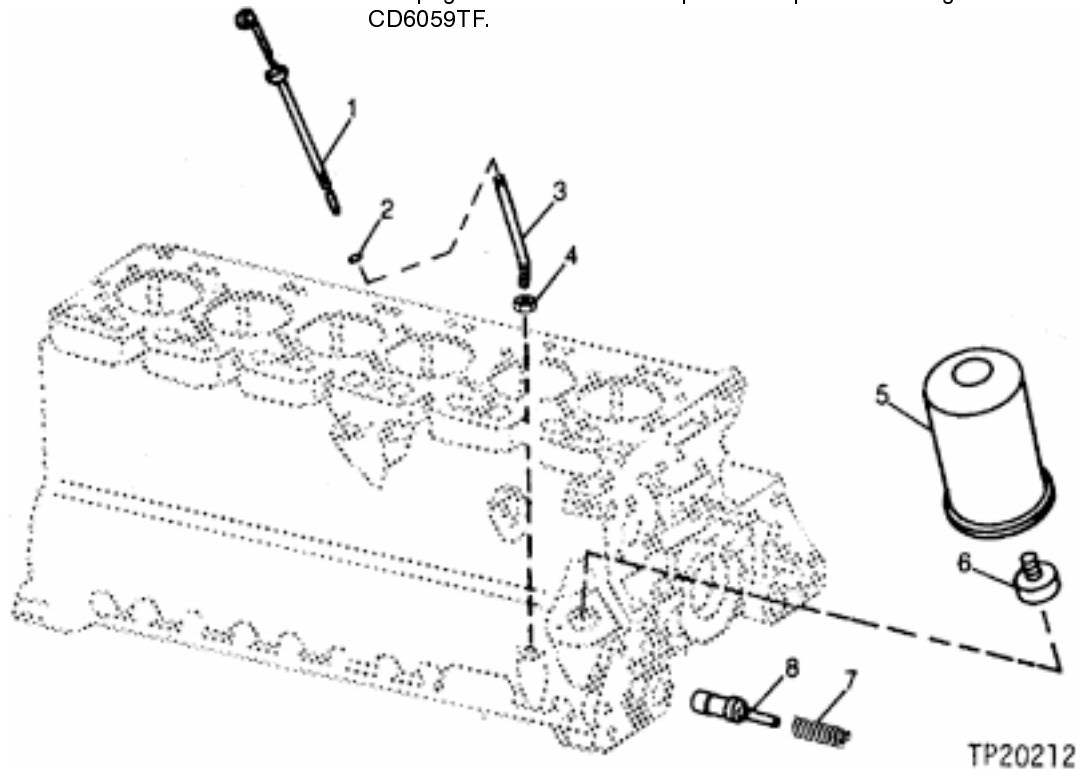
Item	Qty.	Description Variation	Part No.
1	26	Screw, cap 1, 2, 3	224164
2	1	Gasket 1, 2 3	224178 360094
3	24	Lock 1, 2, 3	224184
4	12	Rotator 1, 2, 3	224176
5	12	Spring 1, 2, 3	223455
6	1	Plug, 1/8NPT pipe (sq. countersunk) 1	#
	1	Pipe Plug 3	224268
7		Cap 2 2 1	223409 223448 223448
8	6	Insert, intake valve seat (std.) 1, 2, 3	224162
	6	Insert, intake valve seat (O/S) 1, 2, 3	224289
9	3	Cap 1, 3 2	224157 223448

Item	Qty.	Description Variation	Part No.
	1	Fitting (not shown) 3	360174
10	6	Insert, exhaust valve seat (std.) 1, 2, 3	224166
	6	Insert, exhaust valve seat (O/S) 1, 2, 3	224288
11	1	Head, cylinder 1, 2, 3	X
12	1	Head, cylinder 1, 2 3	224183 360022
13	6	Valve, exhaust std. 1, 2, 3	224156
	6	Valve, exhaust .015" O/S 1, 2, 3	224153
	6	Valve, exhaust .030" O/S 1, 2, 3	224151
14	6	Valve, intake std. 1, 2, 3	224168
	6	Valve, intake .015" O/S 1, 2, 3	224193
	6	Valve, intake .030" O/S 1, 2, 3	224197
15	12	Seal 1, 2, 3	224243

Common Hardware, Procure Locally
X Not Sold Separately

Group 10: Oil Filter and Dipstick

See page 27 for oil filter and dipstick components on engine models CD6059TF.



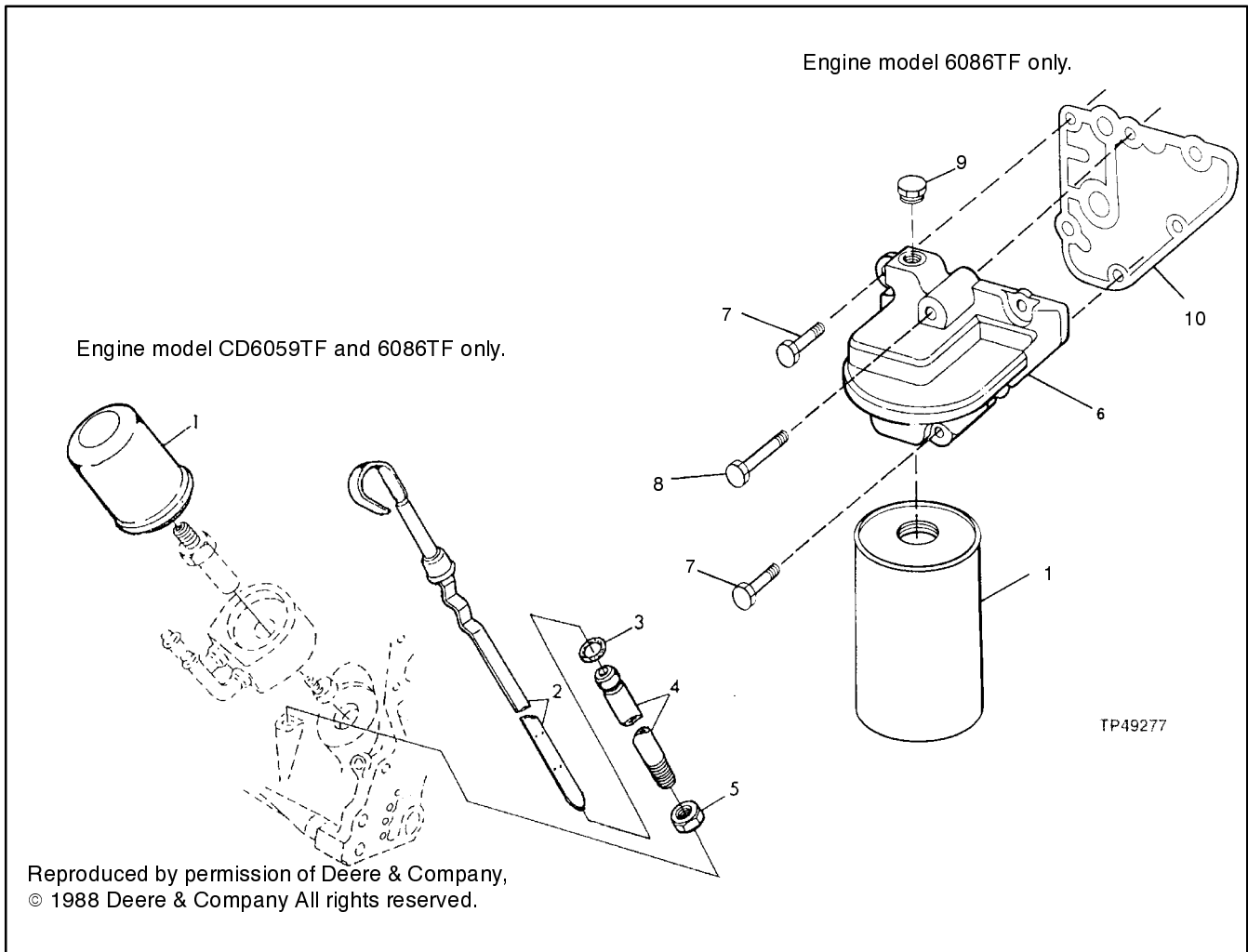
Reproduced by permission of Deere & Company,
© 1988 Deere & Company All rights reserved.

Item	Qty.	Description Variation	Part No.
1	1	Dipstick 1	223443
2	1	O-Ring	223454
3	1	Nipple, threaded 1	223542
4	1	Nut, 1/2-13 1	#
5	1	Filter, oil 1	223604

Item	Qty.	Description Variation	Part No.
6	1	Nipple, threaded 1	223638
7	1	Spring 1	223465
8	1	Valve 1	223507

Common Hardware, Procure Locally
X Not Sold Separately

Group 10: Oil Filter and Dipstick



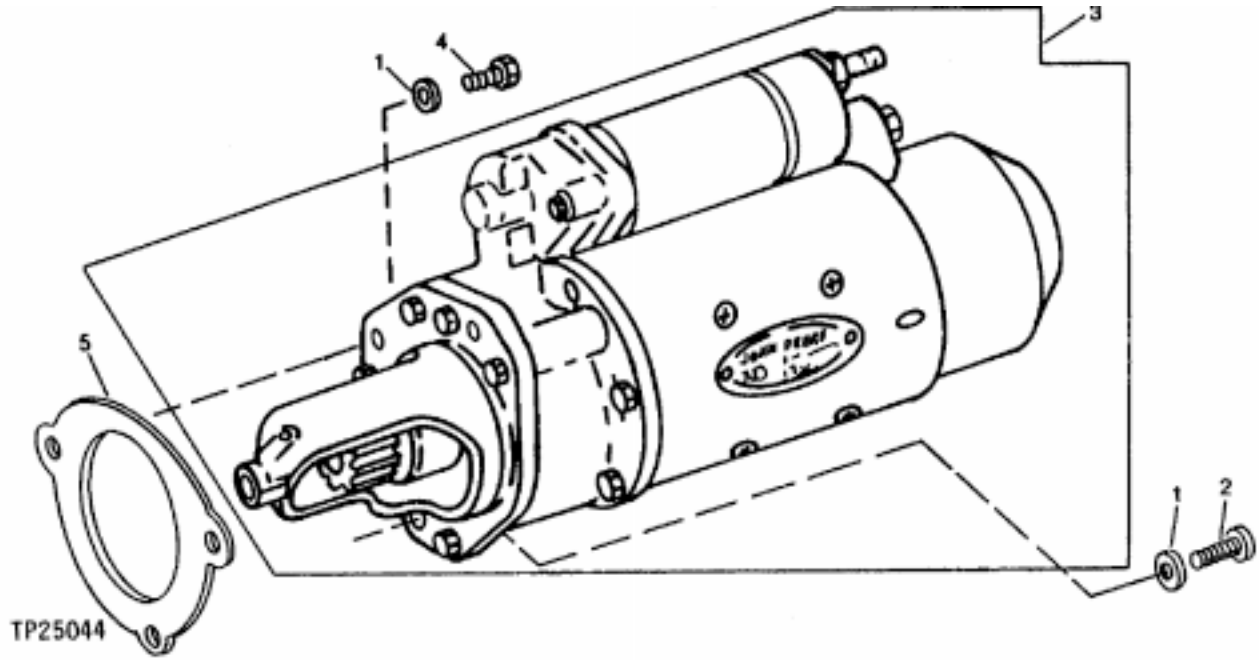
Item	Qty.	Description Variation	Part No.
1	1	Oil Filter	223604
	1	1 Oil Filter	360031
2	1	Dipstick (CD 6059TF with serial number before 158390)	223443
	1	1 Dipstick (CD 6059TF with serial number 158390 and after)	336589
	1	1 Dipstick	360073
3	1	O-Ring	223454
		1, 2	
4	1	Threaded Nipple (CD 6059TF with serial number before 158390)	223542
		1	

Item	Qty.	Description Variation	Part No.
	1	Dipstick Tube (CD 6059TF with serial number 158390 and after)	336590
	1	1	
2	1	Dipstick Tube	360144
		2	
5	1	Nut, 1/2"	#
		1	
6	1	Adapter, oil filter	360033
		2	
7	4	Screw, M8 x 65	#
		2	
	1	Screw, M8 x 100	#
		2	
8	1	Screw, M8 x 20	#
		2	
9	1	Plug	360016
		2	
10	1	Gasket, oil filter header	360133
		2	

Common Hardware, Procure Locally
X Not Sold Separately

Group 11a: Starter Motor

See page 34 for Starter Motor components on 6068 engines and 6059 engines after serial number 317121.



Reproduced by permission of Deere & Company,
 © 1988 Deere & Company All rights reserved.

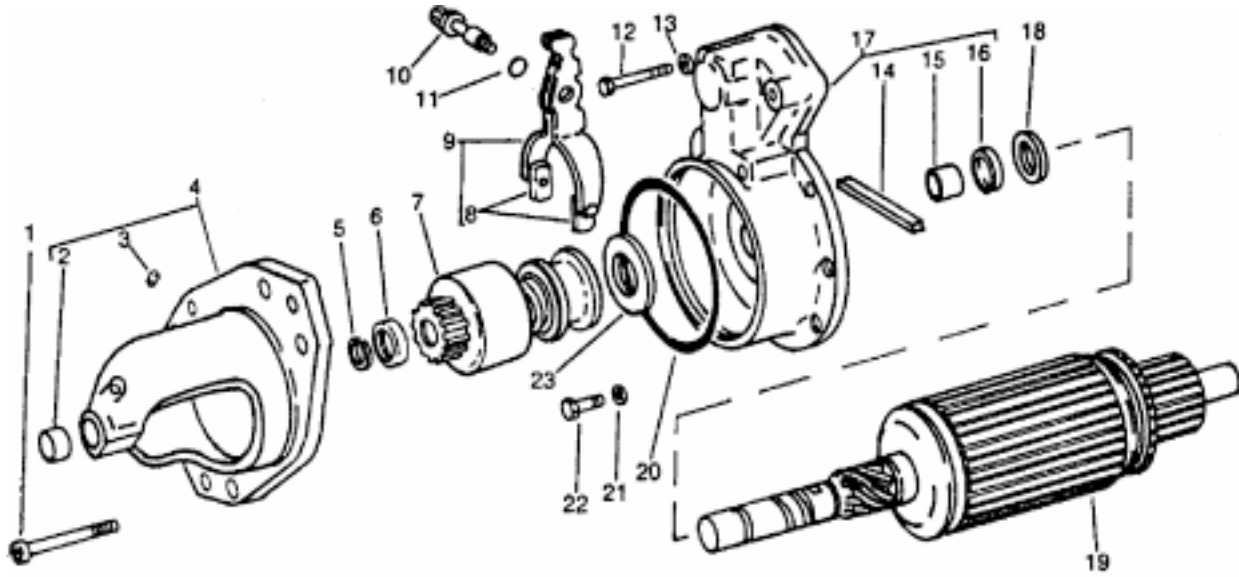
Item	Qty.	Description Variation	Part No.
1	3	Washer, 3/8" lock 1	#
2	2	Screw, 3/8-16 x 1-1/4" cap 1	#
3	1	Motor, starter 1	224259

Item	Qty.	Description Variation	Part No.
4	1	Screw, 3/8-16 x 1-1/4" 1	#
5	1	Gasket 1	223791

Common Hardware, Procure Locally
 X Not Sold Separately

Group 11b: Starter Drive

See page 34 for Starter Motor components on 6068 engines and 6059 engines after serial number 317121.



TP1233

Reproduced by permission of Deere & Company,
© 1988 Deere & Company All rights reserved.

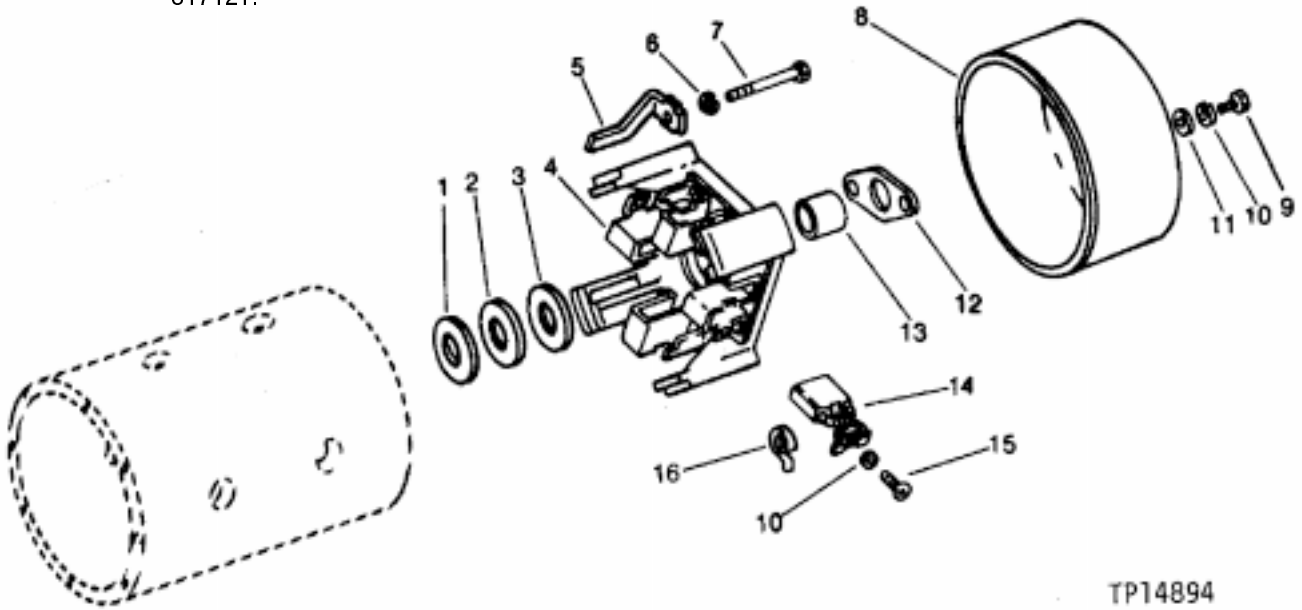
Item	Qty.	Description Variation	Part No.
1	6	Screw	#
		1	
2	1	Bushing	X
		1	
3	1	Plug	X
		1	
4	1	Housing	X
		1	
5	1	Ring, snap	X
		1	
6	1	Stop	X
		1	
7	1	Drive	223678
		1	
8	2	Plate, wear	X
		1	
9	1	Arm	223685
		1	
10	1	Shaft	X
		1	
11	1	O-Ring	X
		1	
12	2	Screw	#
		1	

Item	Qty.	Description Variation	Part No.
13	2	Washer, 1/4" lock	#
		1	
14	1	Wick	X
		1	
15	1	Bushing	X
		1	
16	1	Seal	X
		1	
17	1	Housing	X
		1	
18	1	Washer, thrust	X
		1	
19	1	Armature	X
		1	
20	1	Washer	#
		1	
21	2	Washer, 9/16" lock	#
		1	
22	2	Screw	#
		1	
23	1	Ring, wear	X
		1	

Common Hardware, Procure Locally
X Not Sold Separately

Group 11c: Starter End Frame

See page 34 for Starter Motor components on 6068 engines and 6059 engines after serial number 317121.



Reproduced by permission of Deere & Company,
© 1988 Deere & Company All rights reserved.

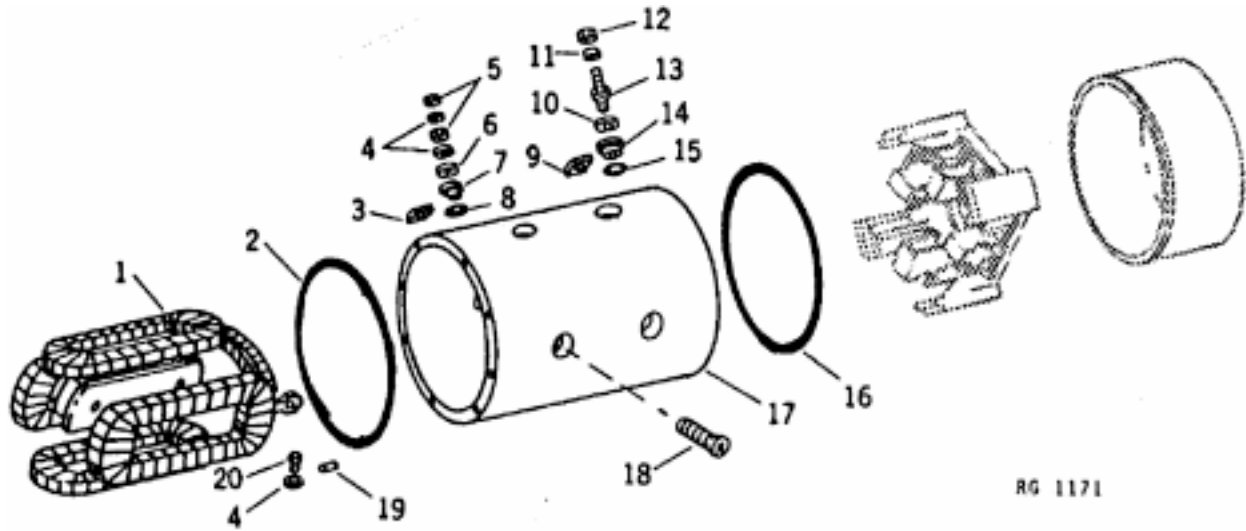
Item	Qty.	Description Variation	Part No.
1	AR	Shim .007" (.18 mm)	X
	1		
2	AR	Shim .019" (.50 mm)	X
	1		
3	1	Washer, thrust	X
	1		
4	1	Frame	223679
	1		
5	2	Bracket	X
	1		
6	2	Washer, 9/16" lock	#
	1		
7	2	Screw	#
	1		
8	1	Cover	X
	1		
9	2	Screw	#
	1		

Item	Qty.	Description Variation	Part No.
10	6	Washer, #10 lock	#
	1		
11	2	Washer, 7/32 x 1/2 x .048"	#
	1		
12	1	Gasket	X
	1		
13	1	Bushing	X
	1		
14	4	Brush, carbon	223785
	1		
15	4	Screw	#
	1		
16	4	Spring	X
	1		

Common Hardware, Procure Locally
X Not Sold Separately

Group 11d: Starter Main Frame

See page 34 for Starter Motor components on 6068 engines and 6059 engines after serial number 317121.



Reproduced by permission of Deere & Company,
© 1988 Deere & Company All rights reserved.

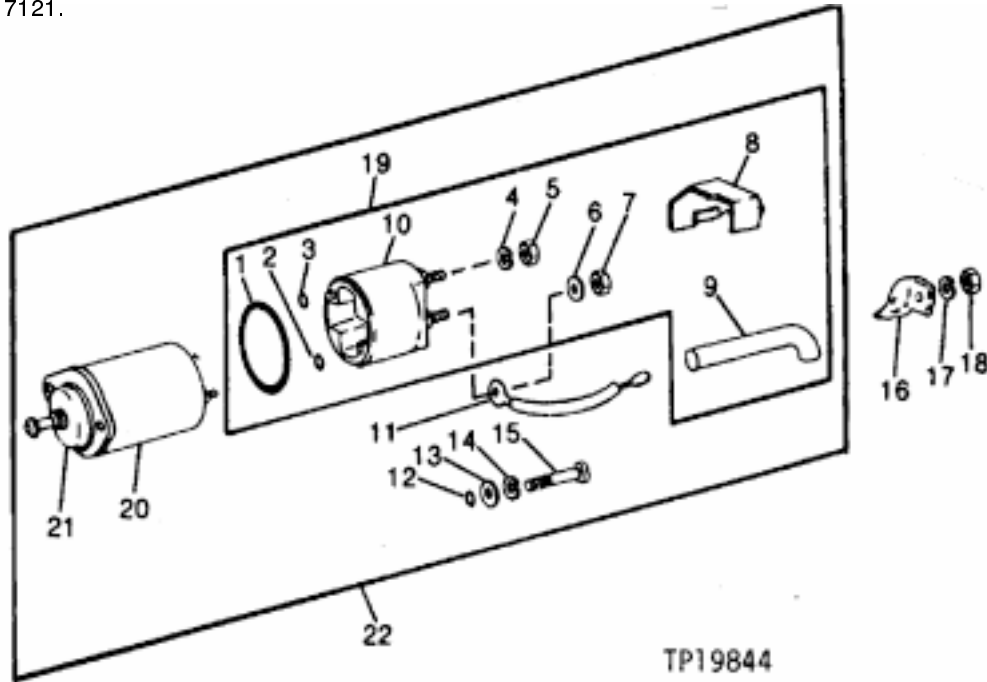
Item	Qty.	Description Variation	Part No.
1	1	Coil, field winding	223926
2	1	O-Ring	223784
3	1	Washer	#
4	3	Washer, #10 lock	#
5	2	Nut	#
6	1	Washer, 7/32 x 1/2 x .048"	#
7	1	Washer	#
8	1	O-Ring	X
9	1	Bushing	X
10	1	Washer	#
11	1	Washer, lock	#

Item	Qty.	Description Variation	Part No.
12	1	Nut	#
13	1	Bolt	#
14	1	Washer	#
15	1	O-Ring	X
16	1	O-Ring	X
17	1	Frame	X
18	8	Screw	#
19	1	Pin, dowel	X
20	1	Screw	#

Common Hardware, Procure Locally
X Not Sold Separately

Group 11e: Starter Solenoid

See page 34 for Starter Motor components on 6068 engines and 6059 engines after serial number 317121.



Reproduced by permission of Deere & Company,
© 1988 Deere & Company All rights reserved.

Item	Qty.	Description Variation	Part No.
1	1	Gasket 1	X
2	1	Washer 1	#
3	1	Shim 1	X
4	1	Washer, 5/16" lock 1	#
5	1	Nut 1	#
6	1	Washer, #10 lock 1	#
7	2	Nut, 10-24 1	#
8	1	Shield 1	224177
9	1	Hose 1	X
10	1	Cover 1	X
11	1	Wire 1	X
12	2	O-Ring 1	X

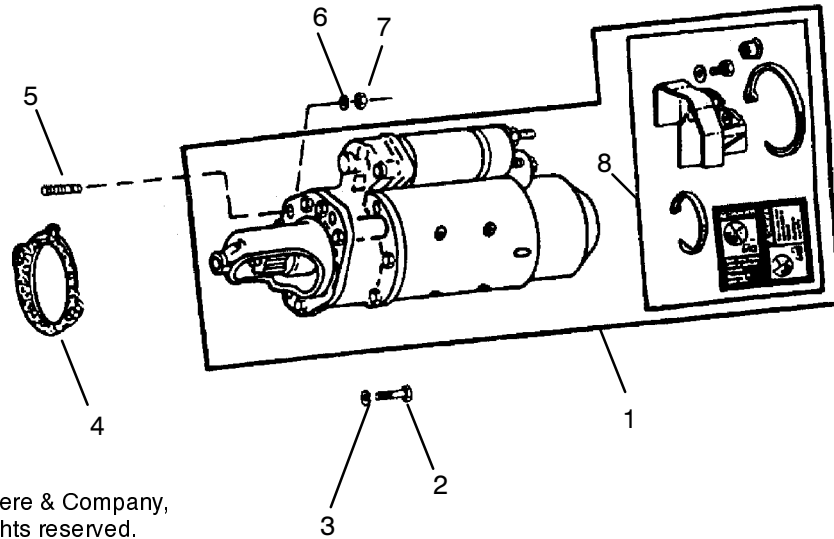
Item	Qty.	Description Variation	Part No.
13	2	Washer, 13/32 x 13/16 x .06" 1	#
14	2	Washer, 1/4" lock 1	#
15	2	Screw 1	#
16	1	Connector 1	#
17	2	Washer, lock 1	#
18	2	Nut, 3/8-16 1	#
19	1	Switch 1	223928
20	1	Switch 1	X
21	1	Boot 1	X
22	1	Switch 1	223927

Common Hardware, Procure Locally
X Not Sold Separately

Notes

Group 11a-11d: Starter Motor

Starter Motor components on 6068 engines and 6059 engines after serial number 317121



Reproduced by permission of Deere & Company,
© 1988 Deere & Company All rights reserved.

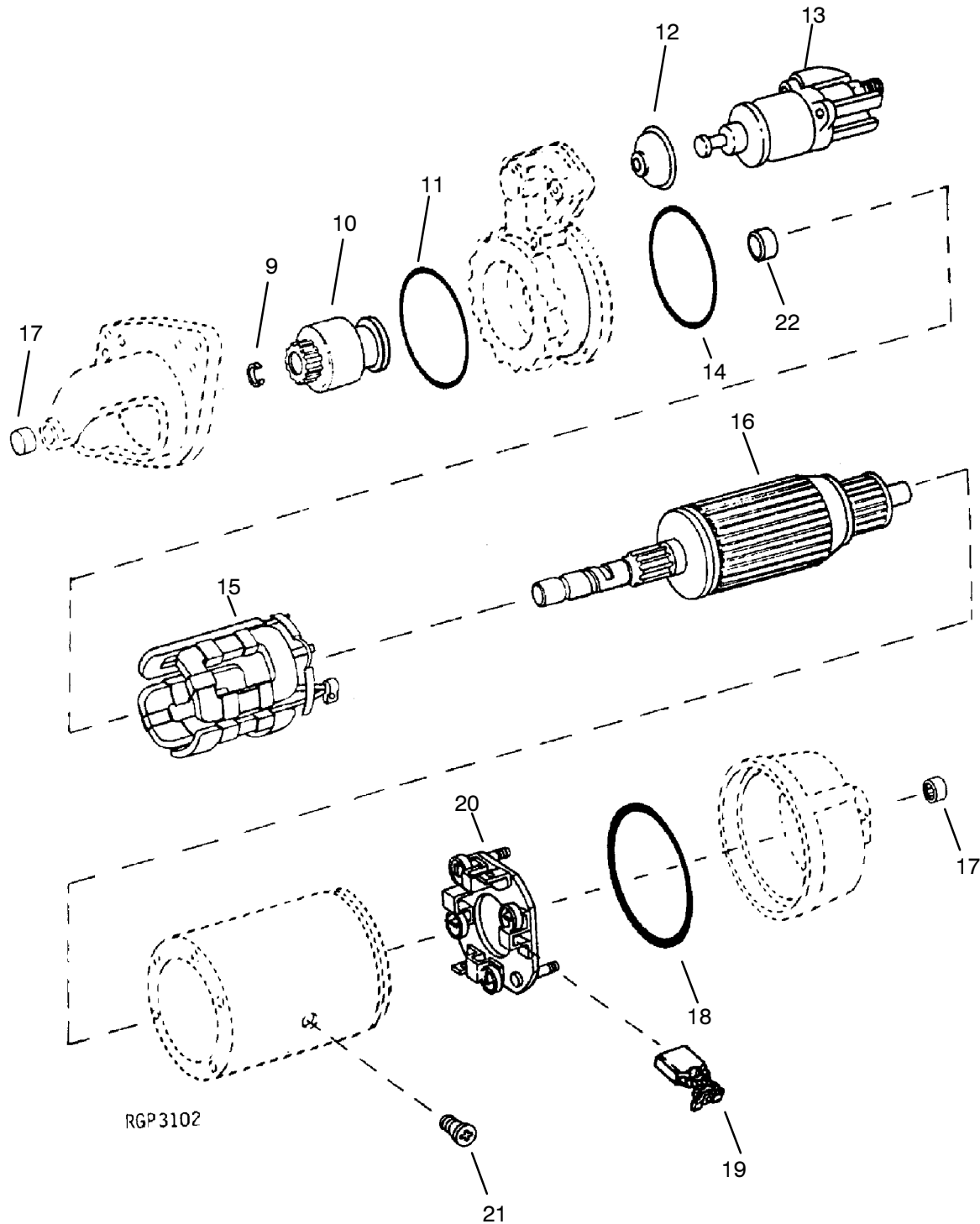
Item	Qty.	Description Variation	Part No.
1	1	Starter Kit	224369
	1	1	
	1	Starter, 24 volt	360051
	1	2	
	1	Starter, 12 volt	360052
	1	3	
2	2	Cap Screw 3/8" x 1 3/8"	#
	1	1	
	3	Screw, M10 x 30	#
	2, 3	2, 3	
3	3	Washer, lock 3/8"	#
	1	1	
4	1	Gasket	233791
	1, 2, 3	1, 2, 3	
5	1	Stud	#
	1	1	
6	1	Washer, lock 3/8"	#
	1	1	
7	2	Nut, 3/8"	#
	1	1	
8	1	Cover	X
	1, 2, 3	1, 2, 3	
9	1	Ring, snap	336154
	1	1	
	1	Ring, snap	360163
	2, 3	2, 3	
10	1	Clutch	336151
	1	1	
	1	Clutch	360010
	2, 3	2, 3	
11	1	Packing	X
	1, 2, 3	1, 2, 3	
12	1	Cover	X
	1, 2, 3	1, 2, 3	

Item	Qty.	Description Variation	Part No.
13	1	Switch	224370
	1	1	
	1	Switch	360008
	1	2	
	1	Switch	360012
	1	3	
14	1	O-Ring	X
	1, 2, 3	1, 2, 3	
15	1	Coil, field winding	X
	1, 2, 3	1, 2, 3	
16	1	Armature	X
	1, 2, 3	1, 2, 3	
17	1	Bearing, needle	336152
	1	1	
	1	Bearing, needle	360011
	2, 3	2, 3	
18	1	O-Ring	X
	1, 2, 3	1, 2, 3	
19	4	Brush	336150
	1	1	
	4	Brush	360009
	2, 3	2, 3	
20	1	Holder	X
	1, 2, 3	1, 2, 3	
21	1	Cap Screw	#
	1, 2, 3	1, 2, 3	
22	1	Bushing	336153
	1	1	
	2	Bushing	360077
	2, 3	2, 3	

Common Hardware, Procure Locally
X Not Sold Separately

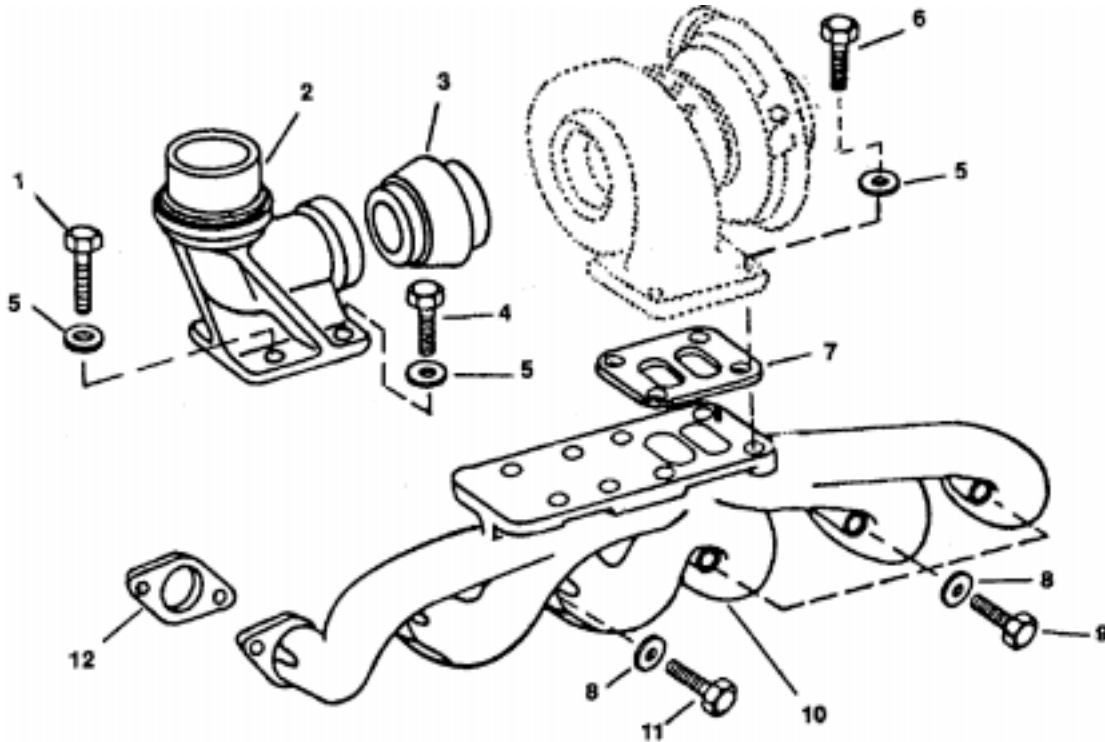
Group 11a-d: Starter Motor

Starter Motor components on 6068 engines and 6059 engines after serial number 317121



Reproduced by permission of Deere & Company,
© 1988 Deere & Company All rights reserved.

Group 12: Exhaust Manifold



Reproduced by permission of Deere & Company,
© 1988 Deere & Company All rights reserved.

(Was TP26379)
TP28443

Item	Qty.	Description Variation	Part No.
1	2	Screw, 3/8-16 x 1-1/2" cap	#
	1		
	4	Screw, M10 x 40	#
	2		
	4	Nut, flange M10 (not shown)	#
	2		
2	1	Fitting, elbow (turbo to exhaust fitting)	223495
	1		
	1	Elbow, pipe	360117
	2		
3	1	Adapter	223538
	1		
	1	Adapter	223891
	2		
4	2	Screw	#
	1		
5	8	Washer, 13/32 x 13/16 x .06"	#
	1		
6	4	Screw, 3/8-16 x 1-1/8"	#
	1		
	4	Screw, M10 x 40	#
	2		

Item	Qty.	Description Variation	Part No.
4		Nut, flange M10 (not shown)	#
	2		
7	1	Gasket	223898
	1		
	1	Gasket	360137
	2		
8	12	Washer, 13/32 x 23/32 x .12"	#
	1		
9	3	Screw, 3/8-16 x 3-1/2"	#
	1		
	12	Screw, M12 x 90	#
	2		
10	1	Manifold, exhaust	224098
	1		
	1	Manifold, exhaust	360152
	2		
11	9	Screw, 3/8-16 x 1-1/4"	#
	1		
12	6	Gasket	223547
	1, 2		
13	1	Clamp with screw (not shown)	224132
	2		

Common Hardware, Procure Locally
X Not Sold Separately

Group 13a: Flywheel



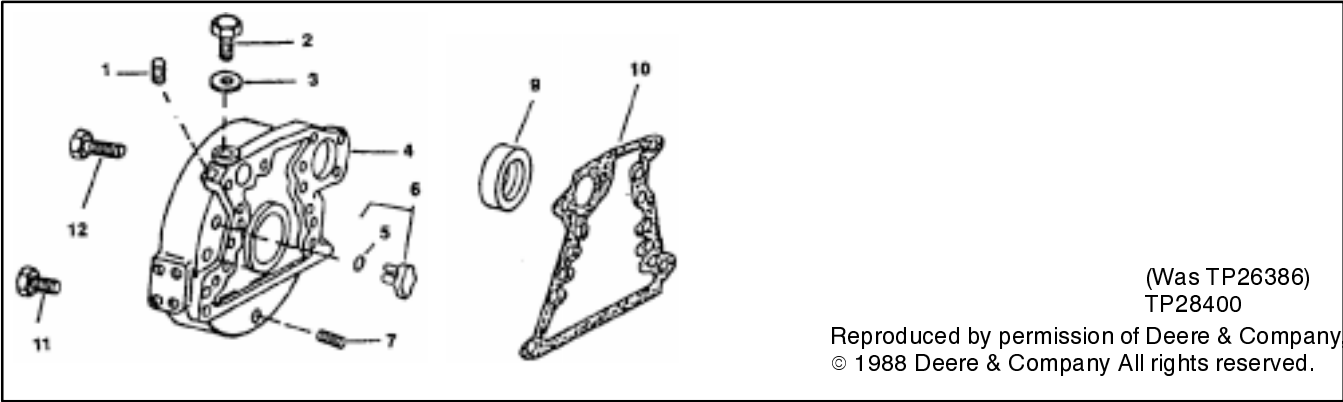
(Was TP26386)
TP26795

Reproduced by permission of Deere & Company
© 1988 Deere & Company All rights reserved.

Item	Qty.	Description Variation	Part No.
1	4	Screw, 1/2 x 1-1/2, Gr. 8 1	#
	4	Screw, M12 x 40 2	#
2	1	Gear (129 teeth) 1, 2	223750
3	1	Flywheel 1	224079

Item	Qty.	Description Variation	Part No.
1	1	Flywheel 2	360023
4	4	Washer 1	223983
	4	Washer 2	360175

Group 13b: Flywheel Housing



(Was TP26386)
TP28400

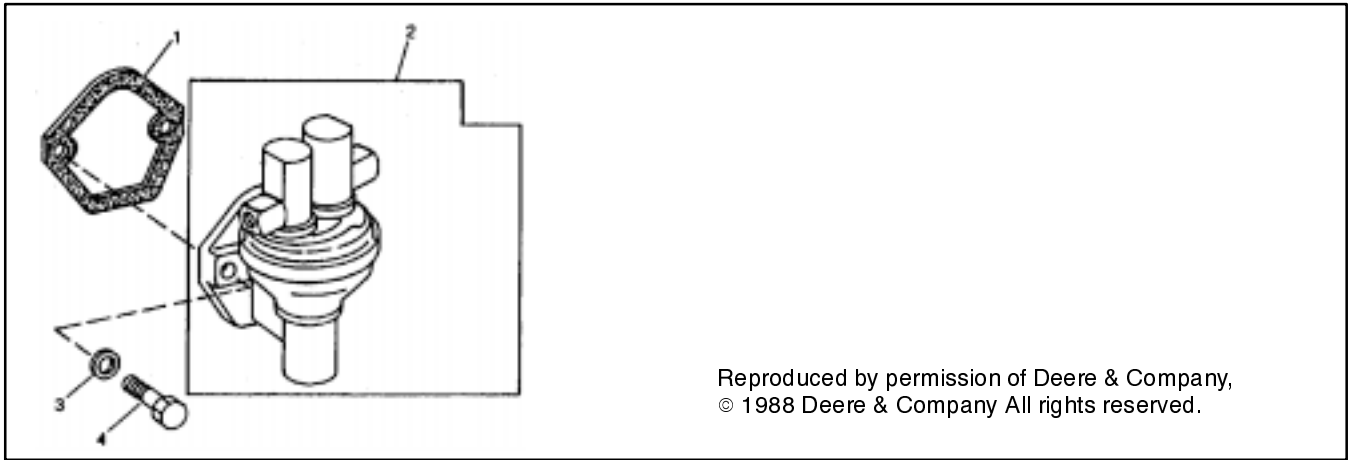
Reproduced by permission of Deere & Company
© 1988 Deere & Company All rights reserved.

Item	Qty.	Description Variation	Part No.
1	1	Plug, 1/8NPT pipe 1, 2	#
2	1	Plug, drain 1, 2	223451
3	1	Washer 1, 2	223603
4	1	Housing 1	224181
	1	Housing 2	336481
	1	Housing 3	360115
5	1	O-Ring 1, 2	223747
6	1	Plug 1, 2	223683
	1	Plug 3	360149

Item	Qty.	Description Variation	Part No.
7	1	Plug, 1/2NPT pipe 1, 2	#
9	1	Seal w/wear ring 1, 2	223583
10	1	Gasket 1, 2	223558
11	4	Screw, 5/8-11 x 2-1/2" 1, 2	#
	4	Screw, M12 x 50 3	#
12	8	Screw, 1/2-13 x 1-3/8" 1, 2	#
	8	Screw, M12 x 40 3	#
	8	Washer (not shown) 3	#

Common Hardware, Procure Locally
X Not Sold Separately

Group 14: Fuel Pump



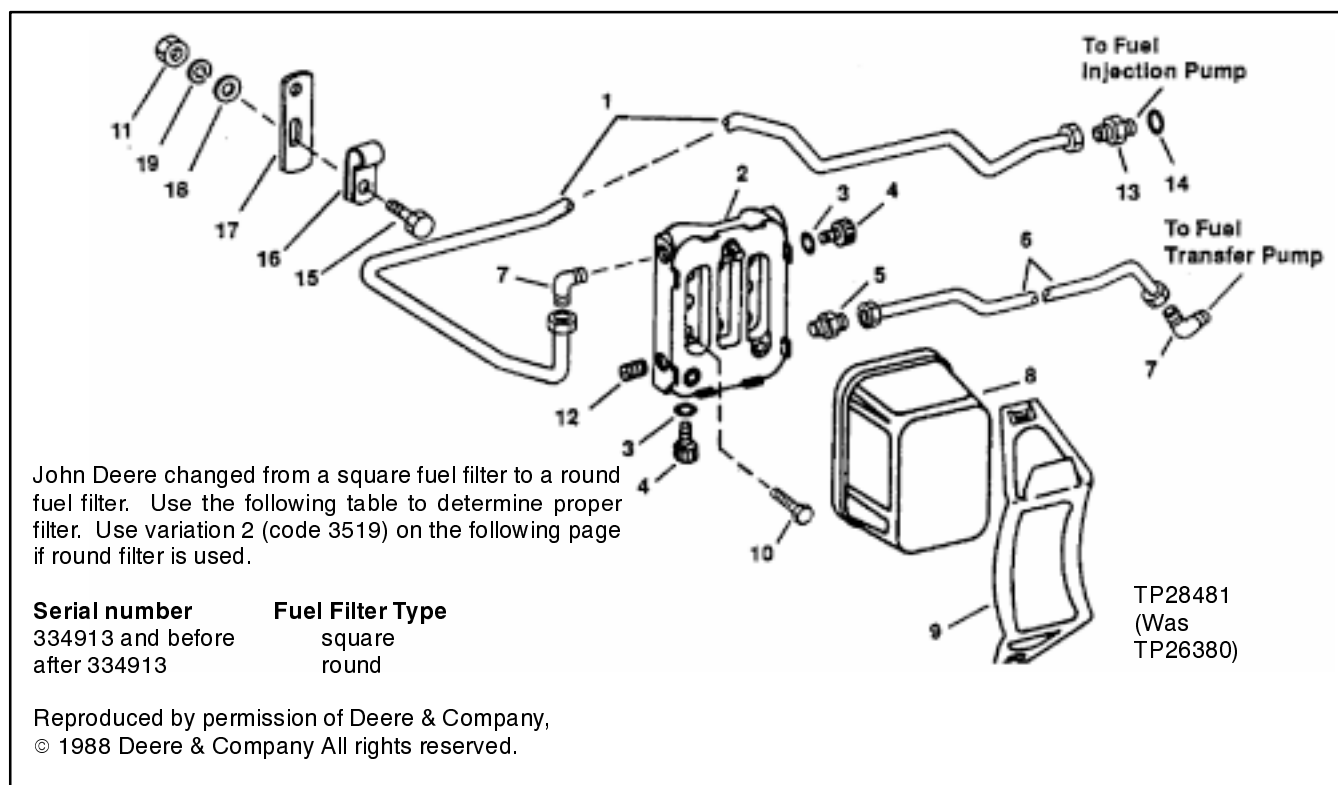
Reproduced by permission of Deere & Company,
 © 1988 Deere & Company All rights reserved.

Item	Qty.	Description Variation	Part No.
1	1	Gasket 1	223557
2	1	Pump, fuel transfer 1	223585
	1	Pump, fuel transfer 2	360071
3	2	Washer 1, 2	#

Item	Qty.	Description Variation	Part No.
4	2	Screw, 5/16-18 x 1-1/4" 1, 2	#
5	1	Push Rod (not shown) 3	360159

Common Hardware, Procure Locally
 X Not Sold Separately

Group 15: Fuel Filter

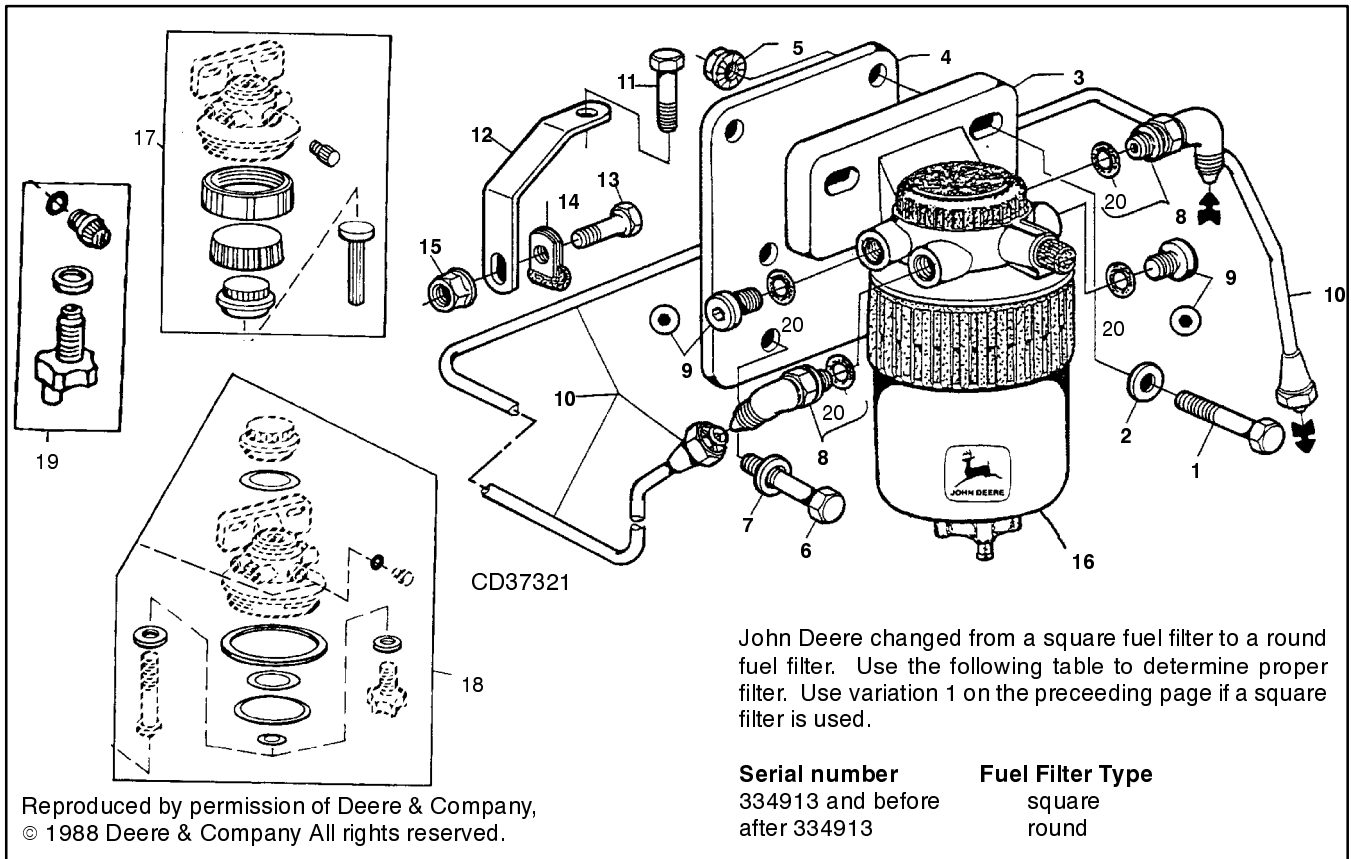


Item	Qty.	Description Variation	Part No.
1	1	Line, fuel 1	224165
2	1	Housing 1	223413
3	2	Washer 1	224010
4	2	Plug, drain 1	223467
5	1	Fitting 1	223457
6	1	Line, fuel 1	224175
7	3	Fitting, elbow 1	223534
8	1	Filter, fuel 1	224236
9	1	Clamp 1	223505
10	2	Screw, 3/8-16 x 7/8" 1	#

Item	Qty.	Description Variation	Part No.
11	1	Nut, 5/16-18 1	#
12	1	Plug, 1/8NPT pipe (sq. cntrsnk) 1	#
13	1	Fitting 1	224154
14	1	O-Ring 1	223456
15	1	Screw, 3/8-16 x 7/8" 1	#
16	1	Clip 1	223655
17	1	Strap 1	223492
18	1	Washer, 13/32 x 11/16 x .06" 1	#
19	1	Washer, 3/8 lock 1	#

Common Hardware, Procure Locally
X Not Sold Separately

Group 15: Fuel Filter

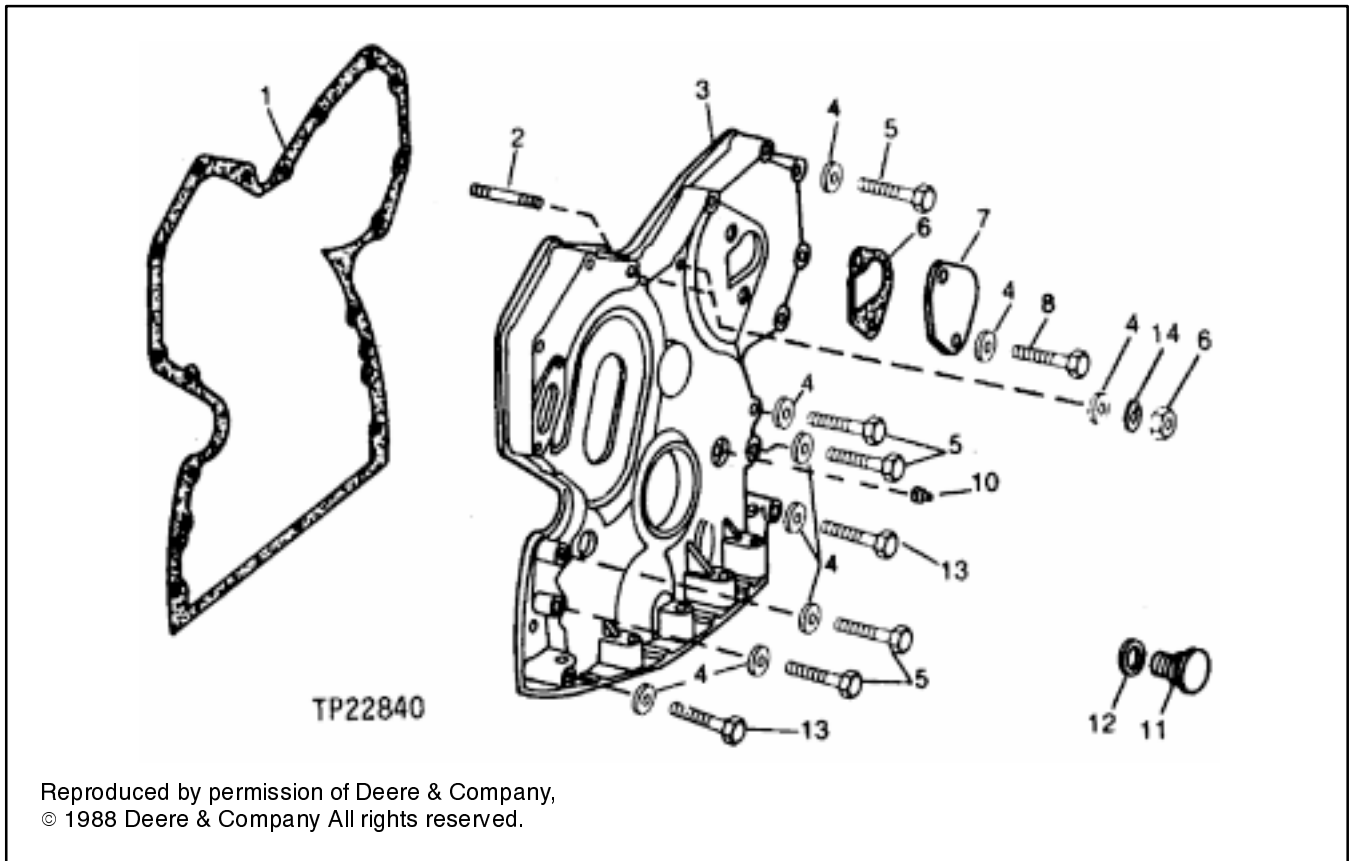


Item	Qty.	Description Variation	Part No.
1	2	Screw, 3/8" x 1 1/2" 2	#
	2	Screw, M10 x 25 3	#
2	1	Washer, 3/8" 2	#
3	1	Housing, fuel filter 2 3	336551 275500
4	1	Bracket 2	336547
5	2	Lock Nut, 3/8" 2	#
6	2	Screw, 3/8" x 7/8" 2	#
7	2	Washer, 3/8" 2	#
8	2	Fitting, elbow 2	336550
9	2	Plug, 0.703" x 0.490" 2	#
	2	Plug 3	360015
10	1	Fuel Inlet Line 2 3	336546 275502
11	1	Screw, 3/8" x 2" 2	#

Item	Qty.	Description Variation	Part No.
12	1	Bracket 2	336548
	1	Strap (Bracket) 3	360088
13	1	Screw, 5/16" x 3/4" 2	#
14	1	Clamp 2 3	336549 360171
15	1	Flange Nut, 5/16" 2	#
	1	Nut, M8 3	#
16	1	Filter, fuel 2	224795
	1	Filter, fuel 3	275501
17	1	Kit, fuel filter 3	222773
18	1	Seak Kit, fuel filter 3	222772
19	1	Kit, bleed plug and drain valve 3	360048
20	1	O-Ring 3	360178

Common Hardware, Procure Locally
X Not Sold Separately

Group 18: Timing Gear Cover

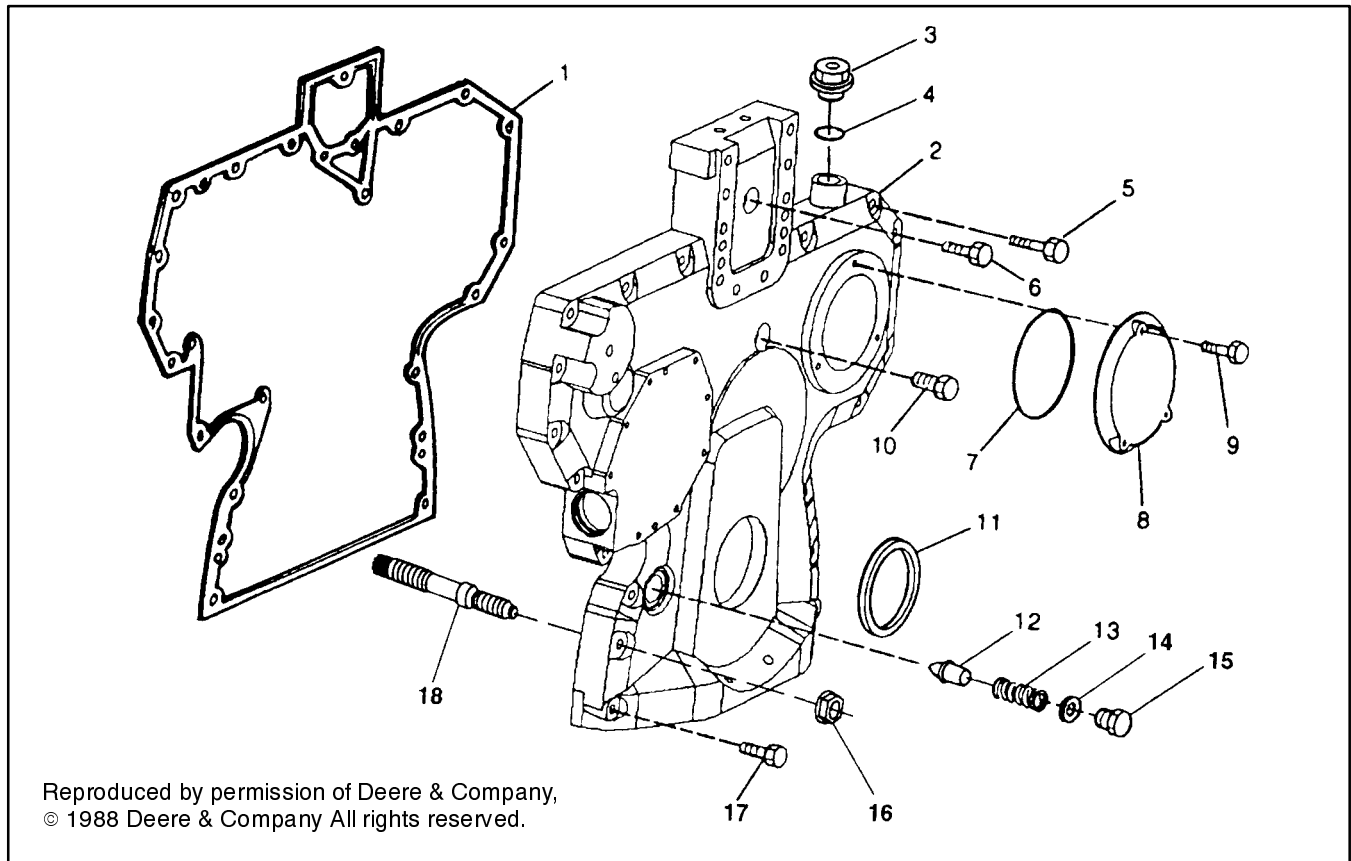


Item	Qty.	Description Variation	Part No.
1	2	Gasket 1	223620
2	2	Stud 1	223662
3	1	Cover 1	223586
4	16	Washer, 13/32 x 23/32 x .12" 1	#
5	10	Screw, 3/8-16 x 1-7/8" cap 1	#
6	1	Gasket 1	223515
7	1	Cover 1	223637
8	2	Screw, 3/8-16 x 7/8" 1	#

Item	Qty.	Description Variation	Part No.
9	2	Nut, 3/8-16 1	#
10	1	Plug, 1/4NPT cntrsnk hex pipe 1	#
11	1	Fitting, plug 1	223653
12	1	Washer, aluminum 1	223410
13	2	Screw, 3/8-16 x 2-1/2" 1	#
14	2	Washer, 3/8" lock 1	#

Common Hardware, Procure Locally
X Not Sold Separately

Group 18: Timing Gear Cover



Reproduced by permission of Deere & Company,
 © 1988 Deere & Company All rights reserved.

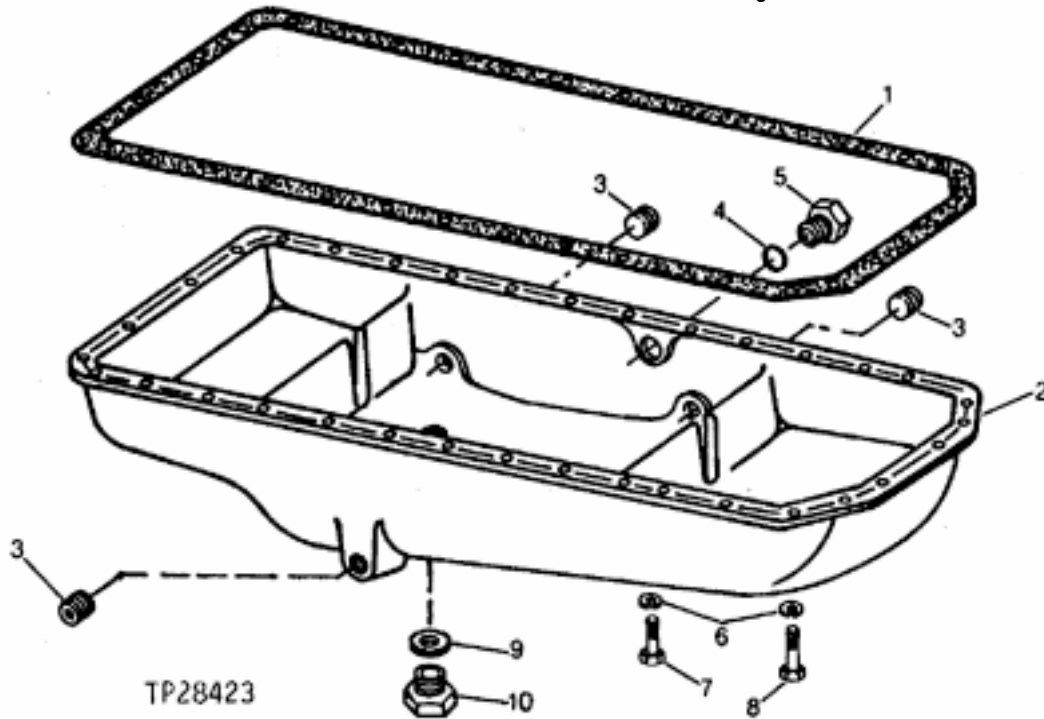
Item	Qty.	Description Variation	Part No.
1	1	Gasket	360125
2	2	Cover	360108
3	1	Drain Plug	360078
4	1	O-Ring	360180
5	6	Screw, M8 x 40	#
	1	Screw, M8 x 25	#
	1	Screw	#
6	1	Screw, M8 x 25	#
7	1	O-Ring	360107
8	1	Cover	360105
9	3	Screw, M6 x 16	#

Item	Qty.	Description Variation	Part No.
10	1	Screw, M8 x 60	#
11	1	Seal Kit	360181
12	1	Valve	224058
13	1	Spring	224095
14	1	Washer	223410
15	1	Fitting Plug	223653
16	4	Nut, flange M10	#
17	2	Screw, M8 x 55	#
18	4	Stud	360140

Common Hardware, Procure Locally
 X Not Sold Separately

Group 21a: Oil Pan

See page 44 for oil pan of engine model CD6059TF with engine serial numbers 158930 and after and engine model 6068TF.



Reproduced by permission of Deere & Company,
© 1988 Deere & Company All rights reserved.

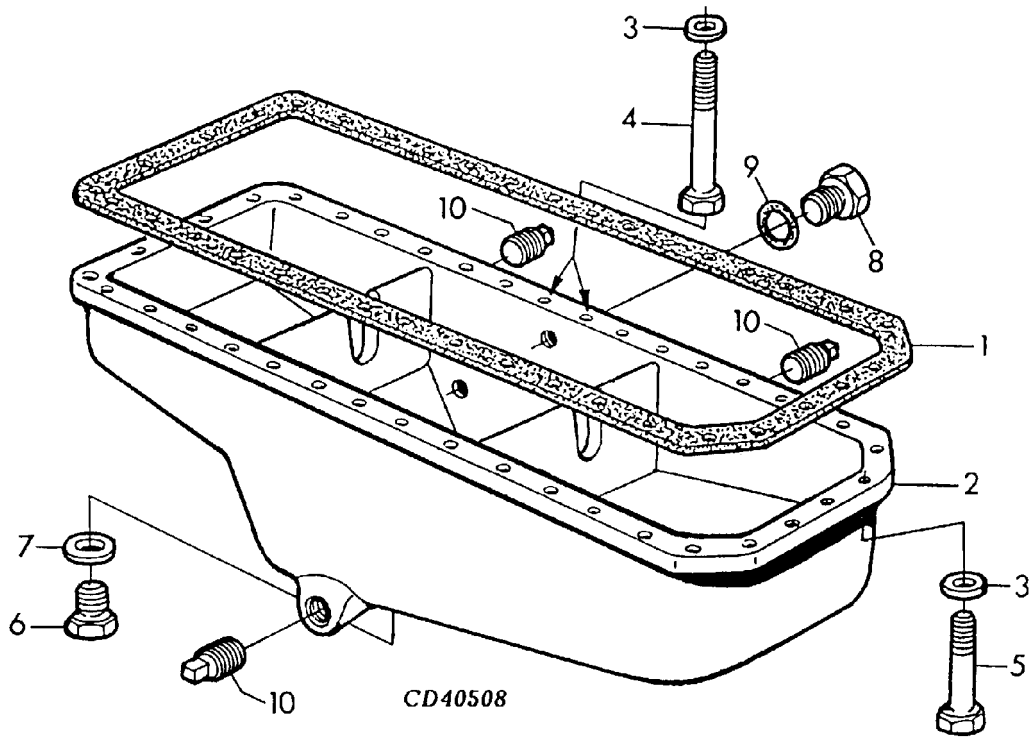
Item	Qty.	Description Variation	Part No.
1	1	Gasket 1	224189
2	1	Pan, oil 1	224241
3	3	Plug, 1/2NPT pipe 1	#
4	1	O-Ring 1	223466
5	1	Plug, drain 1	223458
6	8	Washer, 3/8" lock 1	#
7	28	Screw, 3/8-16 x 1 1/8" flanged head 1	#

Item	Qty.	Description Variation	Part No.
2	1	Screw, 3/8-16 x 2" cap 1	#
8	4	Screw, 3/8-16 x 1 1/2 1	#
2	1	Screw, 3/8-16 x 1 1/4 1	#
9	1	Washer 1	223603
10	1	Plug, drain 1	223451

Common Hardware, Procure Locally
X Not Sold Separately

Group 21a: Oil Pan

Oil Pan for engine model CD6059TF with engine serial numbers 158930 and after and engine model 6068TF.



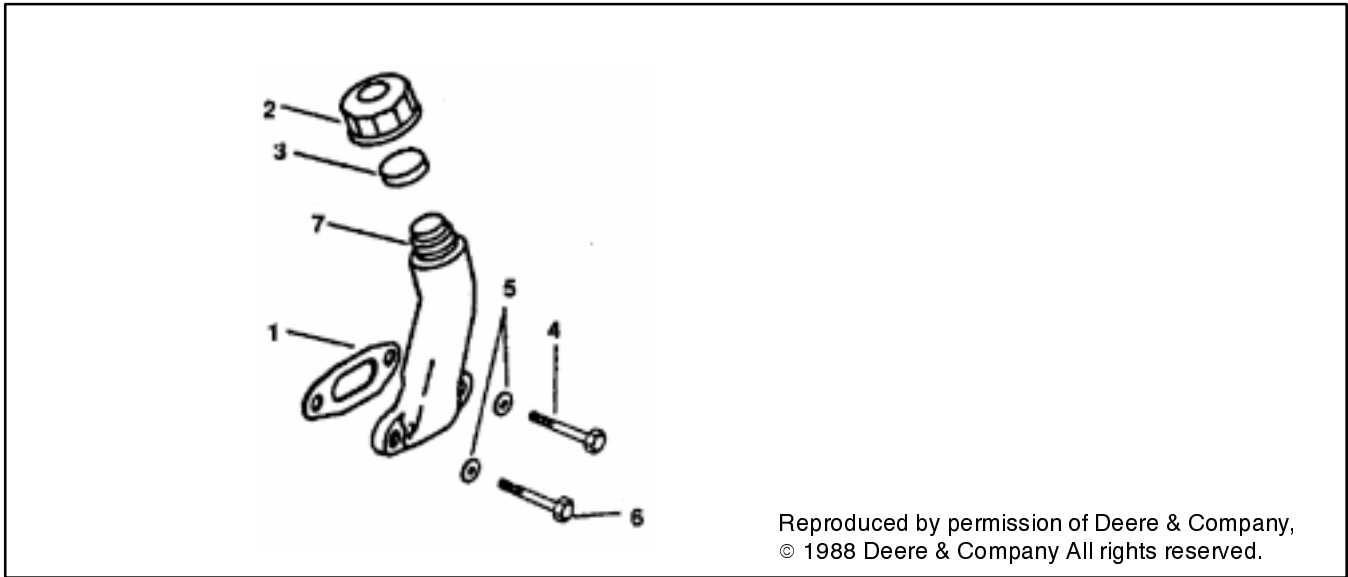
Reproduced by permission of Deere & Company,
© 1988 Deere & Company All rights reserved.

Item	Qty.	Description Variation	Part No.
1	1	Gasket	224189
	1	Gasket	360123
2	1	Oil Pan	336629
	1	Oil Pan	360162
3	36	Washer 10mm x 18mm x 2.5mm	#
4	2	Cap Screw, 3/8" x 2"	#
	1	Screw, M8 x 45	#
5	34	Cap Screw, 3/8" x 1 1/8"	#
	1	Screw, M8 x 25	#
	2	Screw, M8 x 30	#
	2		

Item	Qty.	Description Variation	Part No.
6	1	Drain Plug	223451
	1	Plug	360079
7	1	O-Ring	336591
	1	O-Ring	360176
8	1	Drain Plug	223458
	1	Plug	360079
9	1	O-Ring	223466
	1	O-Ring	360176
	2		

Common Hardware, Procure Locally
X Not Sold Separately

Group 21b: Oil Fill Tube

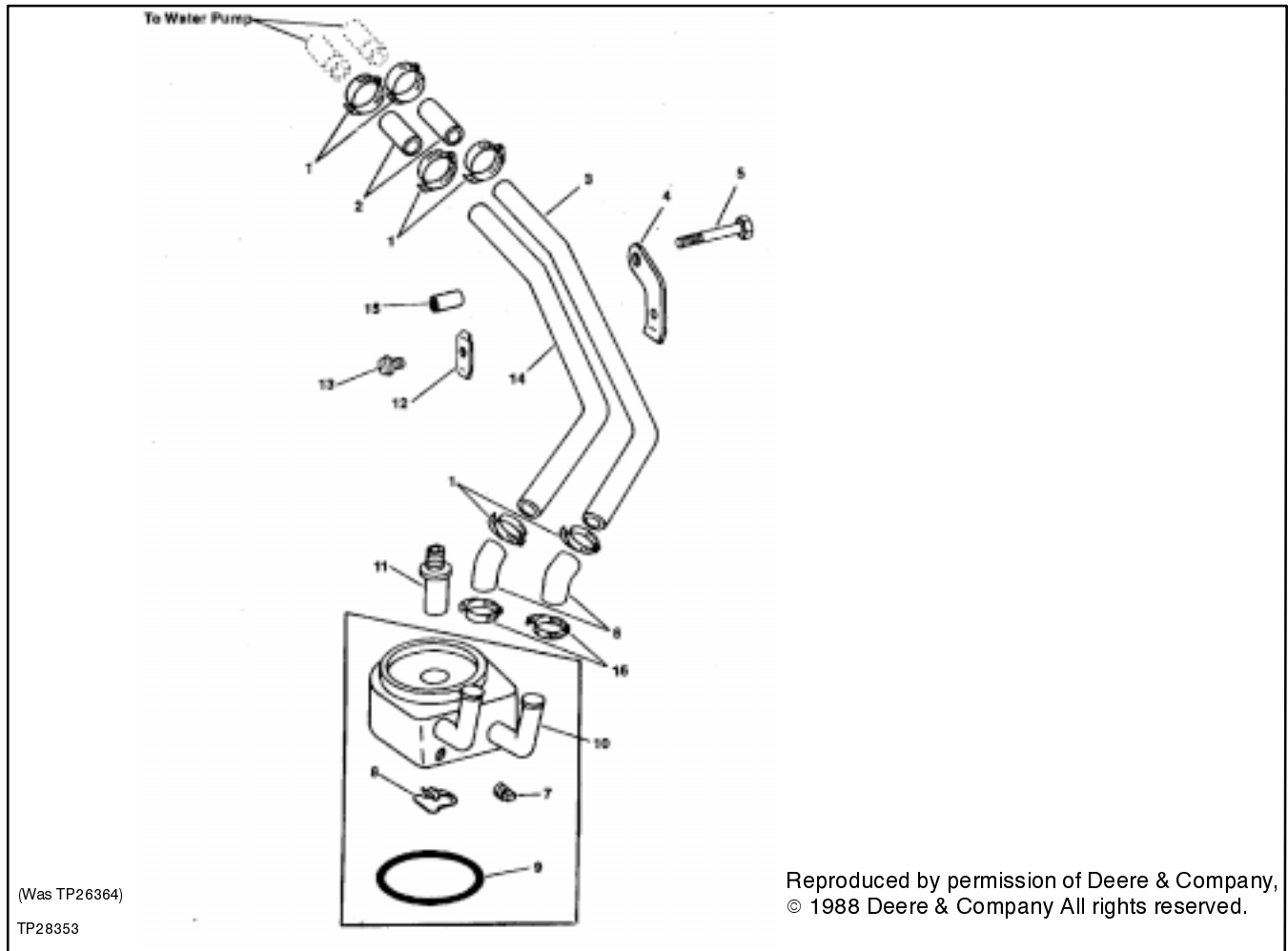


Item	Qty.	Description Variation	Part No.
1	1	Gasket 1	223559
	1	Gasket 2	360090
2	1	Plug 1	223549
3	1	Gasket 1	223636
4	1	Screw, 3/8-16 x 1-5/8" cap 1	#
5	2	Washer, 13/32 x 23/32 x .12" 1	#

Item	Qty.	Description Variation	Part No.
6	1	Screw, 3/8-16 x 3" 1	#
	2	Cap Screw 2	360067
7	1	Neck, filler 1	223584
	1	Cover (not shown) 2	360089

Common Hardware, Procure Locally
X Not Sold Separately

Group 21c: Oil Cooler



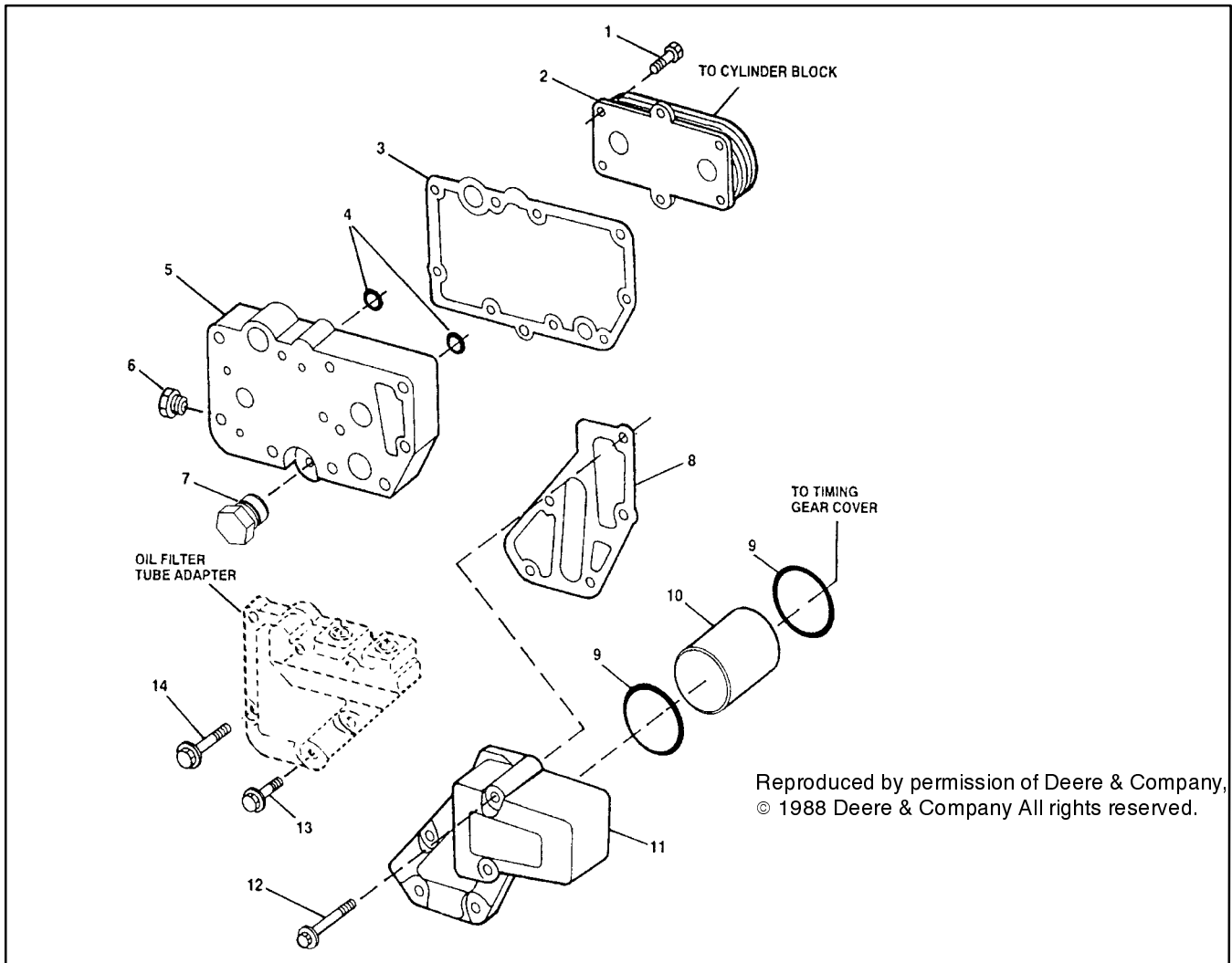
Item	Qty.	Description Variation	Part No.
1	8	Clamp 1, 2	#
2	2	Hose, 5/8 in. ID (see NOTE) 1, 2	#
3	1	Tube, lower 1	224039
		2	336493
4	1	Flange 1	224022
	1	Flange (See item 12) 2	X
5	1	Screw, 3/8-16 x 3-1/4" cap 1, 2	#
6	2	Hose 1	224061
		2	336495
7	1	Plug, drain 1, 2	223493
8	1	Clip 1, 2	223514
9	1	Washer 1	224240

Item	Qty.	Description Variation	Part No.
1	1	Washer 2	233506
10	1	Cooler, oil 1	224085
		2	336492
11	1	Nipple, threaded 1, 2	223661
12	1	Clamp, half 1	224023
	1	Clamp 2	336496
13	1	Screw 1, 2	#
14	1	Tube, upper 1	224038
		2	336494
15	1	Spacer, .423 x .675 x 1" 1, 2	#
16	2	Clamp 1, 2	#

NOTE: Length needs to be determined for each application.

Common Hardware, Procure Locally
X Not Sold Separately

Group 21c: Oil Cooler



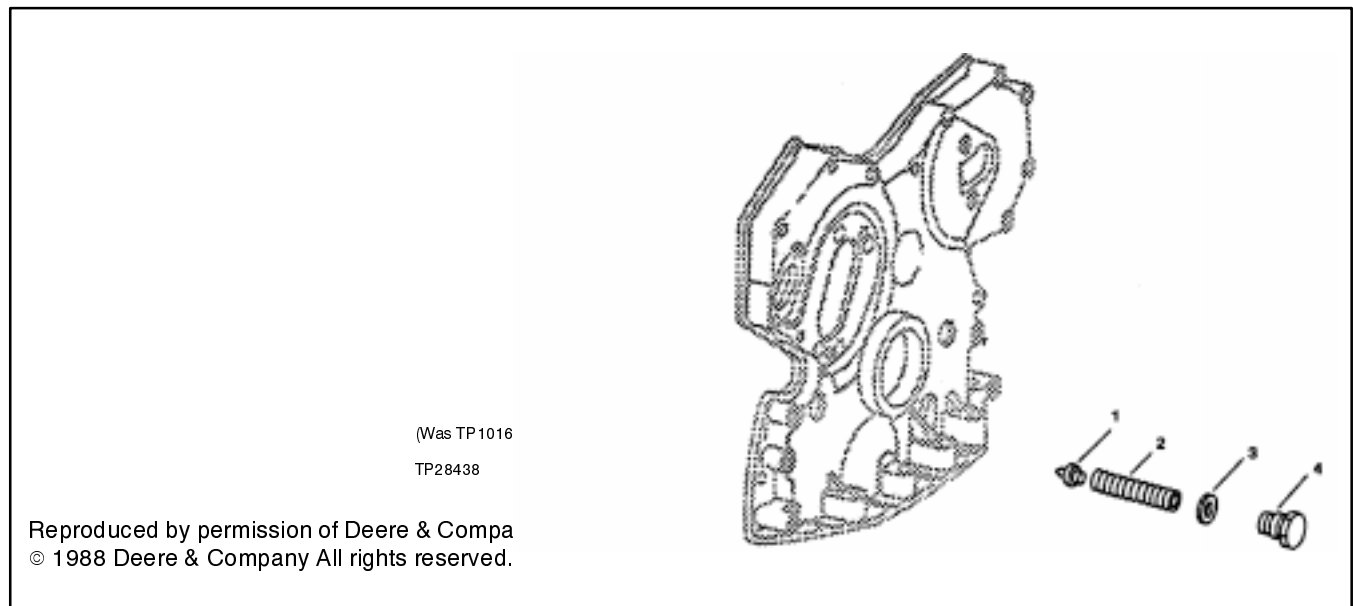
Reproduced by permission of Deere & Company,
© 1988 Deere & Company All rights reserved.

Item	Qty.	Description Variation	Part No.
1	6	Screw 3	#
2	1	Oil Cooler 3	275503
3	1	Gasket 3	360130
4	2	O-Ring 3	360170
5	1	Housing 3	360127
6	1	Plug 3	360015
7	1	Plug 3	360014
8	1	Gasket 3	360131

Item	Qty.	Description Variation	Part No.
9	2	O-Ring 3	360164
10	1	Tube 3	360086
11	1	Adapter 3	360128
12	2	Screw, M8 x 100 3	#
13	2	Screw, M8 x 20 3	#
14	2	Screw, M8 x 65 3	#

Common Hardware, Procure Locally
X Not Sold Separately

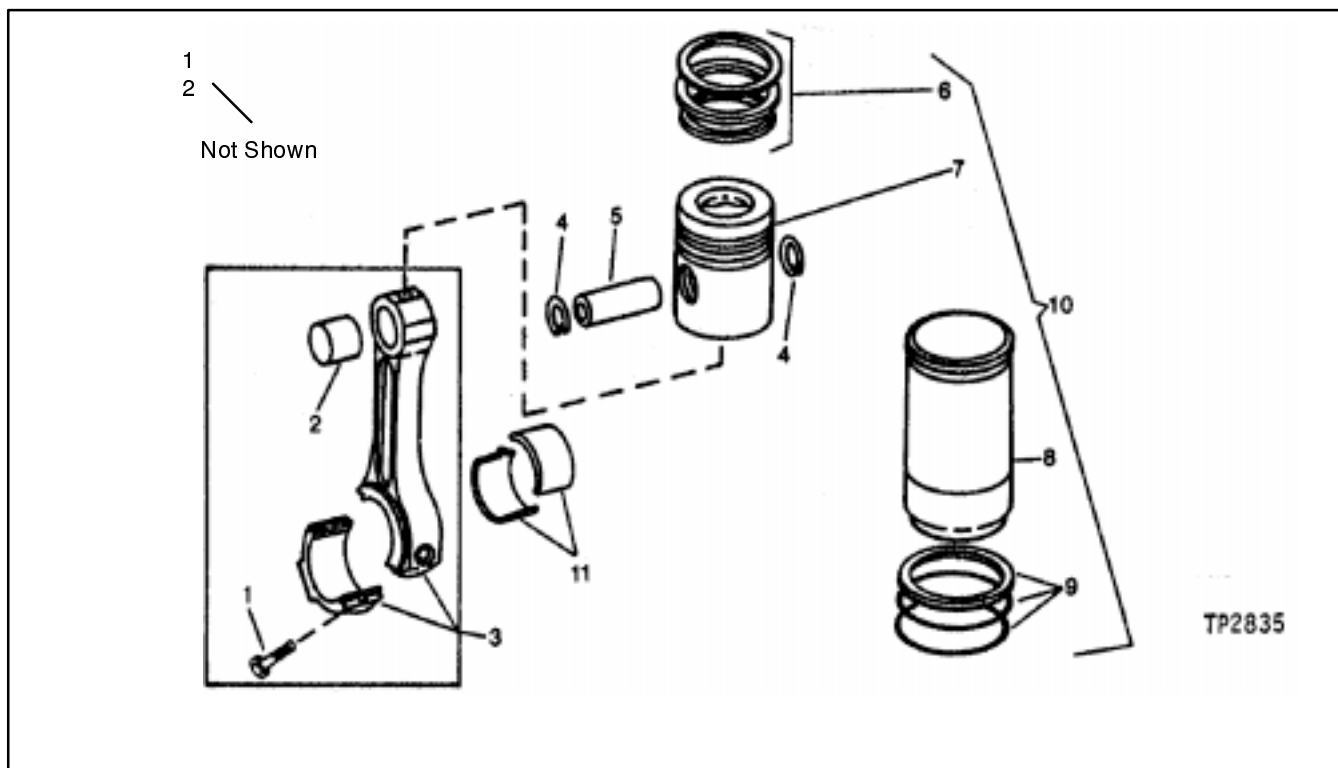
Group 21d: Pressure Regulating Valve



Item	Qty.	Description Variation	Part No.
1	1	Valve	224058
2	1	Spring	224095

Item	Qty.	Description Variation	Part No.
3	1	Washer	223410
4	1	Fitting, plug	223653

Group 22: Piston and Connecting Rod



Item	Qty.	Description Variation	Part No.
1	12	Screw 1	223528
	12	Screw 2, 3	360081
2	6	Bushing 1	223499
	6	Bushing 2, 3	360145
3	6	Rod, connecting 1	224245
	6	Rod, connecting 2, 3	360047
4	12	Ring, snap 1	223479
	12	Ring, snap 2, 3	223452
5	6	Pin, piston 1	223488
	12	Ring, snap 2, 3	360114
6	6	Ring Kit, piston (set of 3) 1	223565
	6	Ring Kit 2, 3	360066
7	AR	Piston 1	223570
	AR	Piston 2, 3	X
8	6	Liner, cylinder 1, 2, 3	X

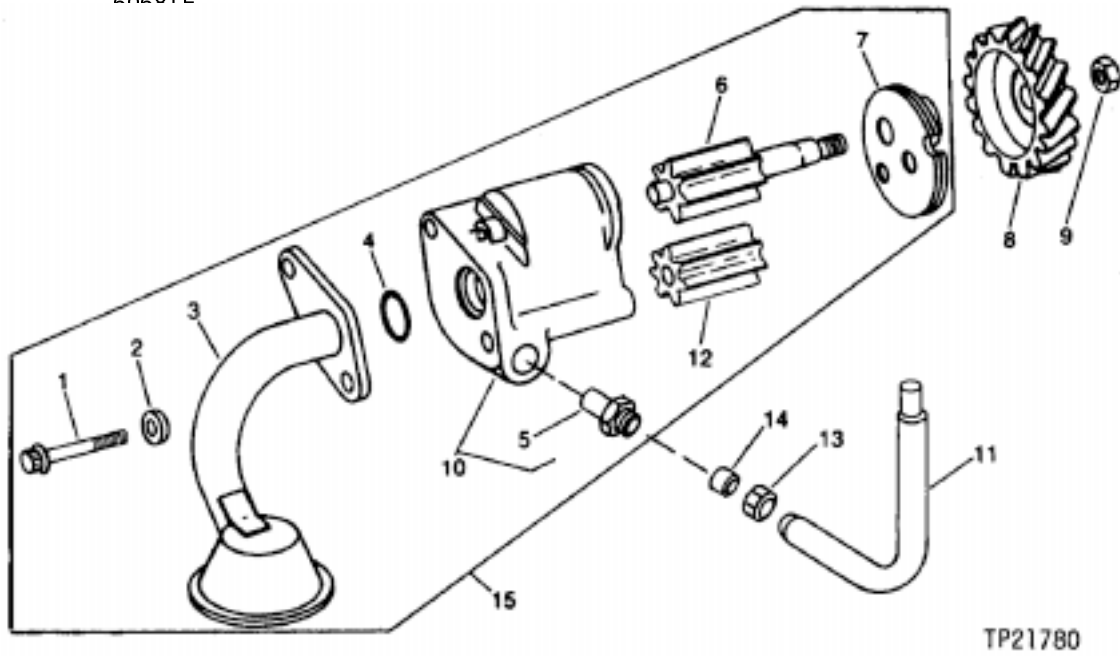
Item	Qty.	Description Variation	Part No.
9	6	O-Ring Kit 1, 2, 3	223419
10	AR	Piston and Ring Kit 1	223594
	AR	Piston and Ring Kit 2	360059
	AR	Piston and Ring Kit 3	360060
11	6	Bearing std. (set of 2) 1	223423
	6	Bearing std. (set of 2) 2, 3	360053
	6	Bearing .002" (.05 mm) undersize 1	223425
	6	Bearing .010" (.25 mm) undersize 1	223426
	6	Bearing .010" (.25 mm) undersize 2	360054
	6	Bearing .020" (.51 mm) undersize 1	223427
	6	Bearing .030" (.76 mm) undersize 1	223428
12	1	Lubricant 1, 2, 3	223415

NOTE: Order item 12 lubricant with item 8 cylinder liner.

Common Hardware, Procure Locally
X Not Sold Separately

Group 25: Oil Pump

See page 51 for oil pump components on engine model CD6059TF with engine serial numbers 158390 and after and on engine model 6060TE



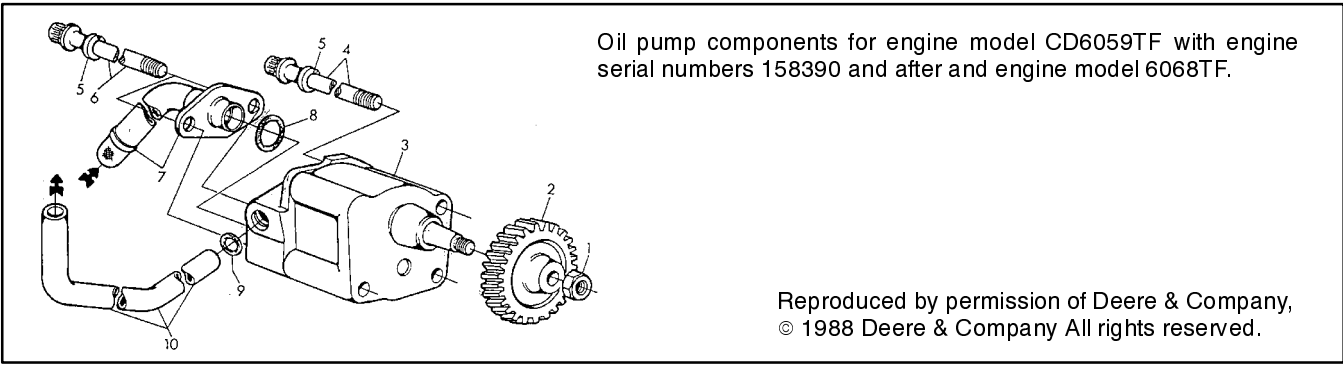
Reproduced by permission of Deere & Company,
© 1988 Deere & Company All rights reserved.

Item	Qty.	Description Variation	Part No.
1	2	Screw, cap 1, 2	X
2	2	Washer 1, 2	224159
3	1	Intake, oil pump 1	223993
	1	Intake, oil pump 2	336491
4	1	O-Ring 1, 2	224035
5	1	Adapter 1, 2	X
6	1	Shaft 1, 2	223998
7	1	Cover 1, 2	X
8	1	Gear (33 teeth) 1, 2	223631

Item	Qty.	Description Variation	Part No.
9	1	Nut, 1/2-13 1, 2	#
10	1	Housing 1, 2	224065
11	1	Tube, oil 1, 2	224052
12	1	Gear (7 teeth) 1, 2	224037
13	1	Fitting 1, 2	224050
14	1	Sleeve 1, 2	224051
15	1	Pump, oil 1, 2	223996

Common Hardware, Procure Locally
X Not Sold Separately

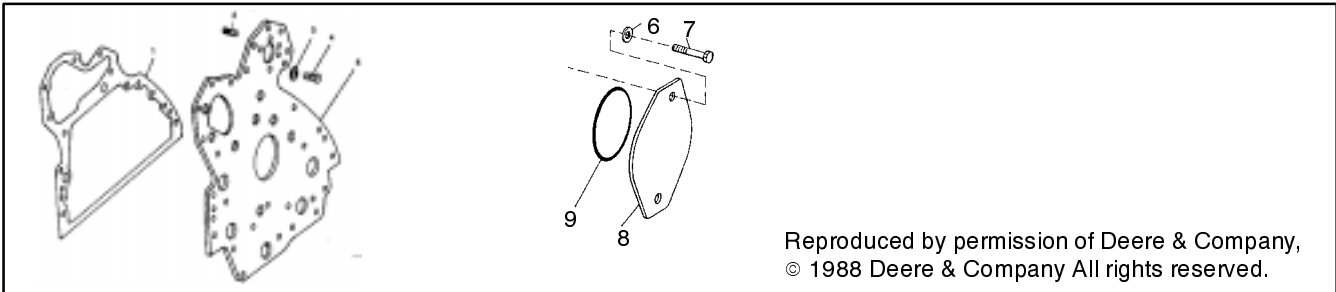
Group 25: Oil Pump



Item	Qty.	Description Variation	Part No.
1	1	Nut, 1/2" -13	#
		2	
	1	Nut, M12	#
		3	
2	1	Gear	223631
		2	
	1	Gear (30 teeth)	360100
		3	
3	1	Oil Pump	
		2	336584
		3	360028
4	3	Cap Screw	224274
		2	
	2	Screw, M8 x 65	#
		3	
5	1	Lock Washer, 3/8"	#
		2	

Item	Qty.	Description Variation	Part No.
6	2	Cap Screw, 99MM	#
		2	
	2	Screw, M8 x 100	#
		3	
7	1	Oil Pump Intake	336457
		2	
	1	Oil Pump Intake	360024
		3	
8	1	O-Ring	224035
		2, 3	
9	1	O-Ring	223511
		2	
9	1	O-Ring	336458
		3	
10	1	Tube	
		2	
		3	360104

Group 29: Front Plate



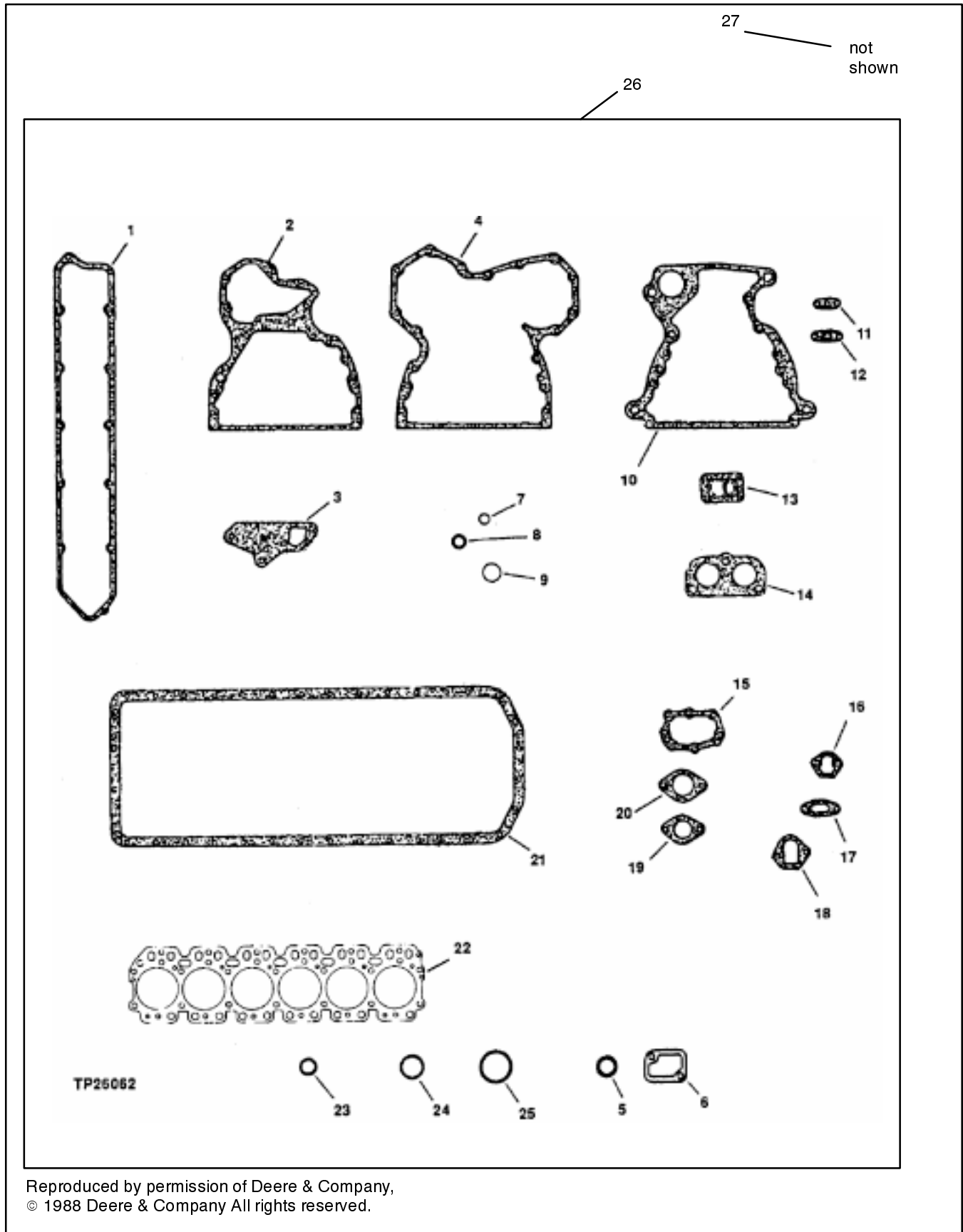
1	1	Gasket	223548
		1	
2	8	Screw, 0.438 dia. set	223442
		1	
	2	Screw, 0.375 dia. set	223445
		1	
	3	Stud	360092
		2	
3	5	Washer, 3/8" ext. tooth lock	#
		1	
4	5	Screw	#
		1	
	6	Screw	#
		2	

5	1	Plate	
		1	223566
		2	360110
6	2	Washer, 13mm x 24mm x 2.54mm	#
		2	
7	2	Screw, M12 x 35	#
		2	
8	1	Cover	360129
		2	
9	1	O-Ring	360172
		2	

NOTE: Order item 2 with item 5.

Common Hardware, Procure Locally
X Not Sold Separately

Group 39a: Overhaul Gasket Set



Group 39a: Overhaul Gasket Set

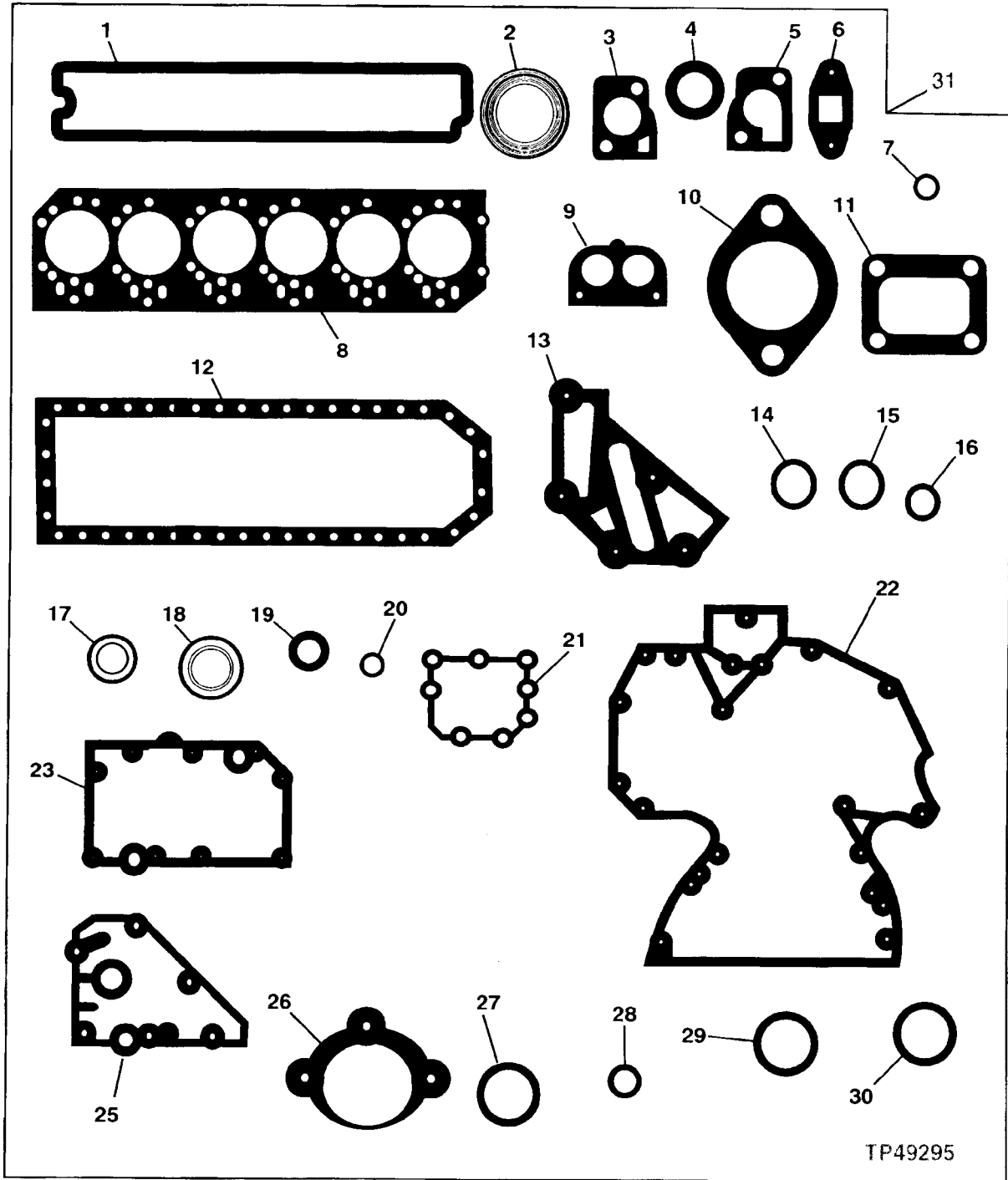
Item	Qty.	Description Variation	Part No.
1	1	Gasket, rocker arm cover 1	224150
2	1	Gasket, cyl. block plate 1	223548
3	1	Gasket, water pump 1	223628
4	1	Gasket, timing gear cover 1	223620
5	1	O-Ring, oil pump intake to oil pump housing 1	224035
6	1	Gasket, thermostat housing water outlet 1	224020
7	1	O-Ring, oil pump outlet tube 1	X
	1	O-Ring, oil pump outlet tube 1	X
8	1	O-Ring, vent tube 1	223491
9	1	Gasket, oil filler cap 1	223636
10	1	Gasket, flywheel housing 1	223558
11	1	Gasket, turbo. oil inlet 1	X
12	1	Gasket, turbo. oil outlet 1	224239
13	1	Gasket, turbocharger 1	223898
14	1	Gasket, thermostat cover 1	224012

Item	Qty.	Description Variation	Part No.
15	1	Gasket, timing gear cover opening cover 1	X
16	1	Gasket, fuel pump 1	223557
17	1	Gasket, oil filler inlet 1	223559
18	1	Gasket, injection pump cover 1	223515
19	6	Gasket, exhaust manifold 1	223547
20	2	Gasket, air inlet 1	223532
21	1	Gasket, oil pan 1	224189
22	1	Gasket, cylinder head 1	224178
23	12	O-Ring, valve stem 1	X
24	1	O-Ring, thermostat bypass tube 1	224028
	1	O-Ring, water pump bypass tube 1	224028
25	1	Washer, oil cooler 1	223506
26	1	Gasket kit 1	224167
27	6	Packing kit, cylinder liner 1	223419

NOTE: For a complete set of gaskets, order items 26 and 27.

Common Hardware, Procure Locally
X Not Sold Separately

Group 39a: Overhaul Gasket Set



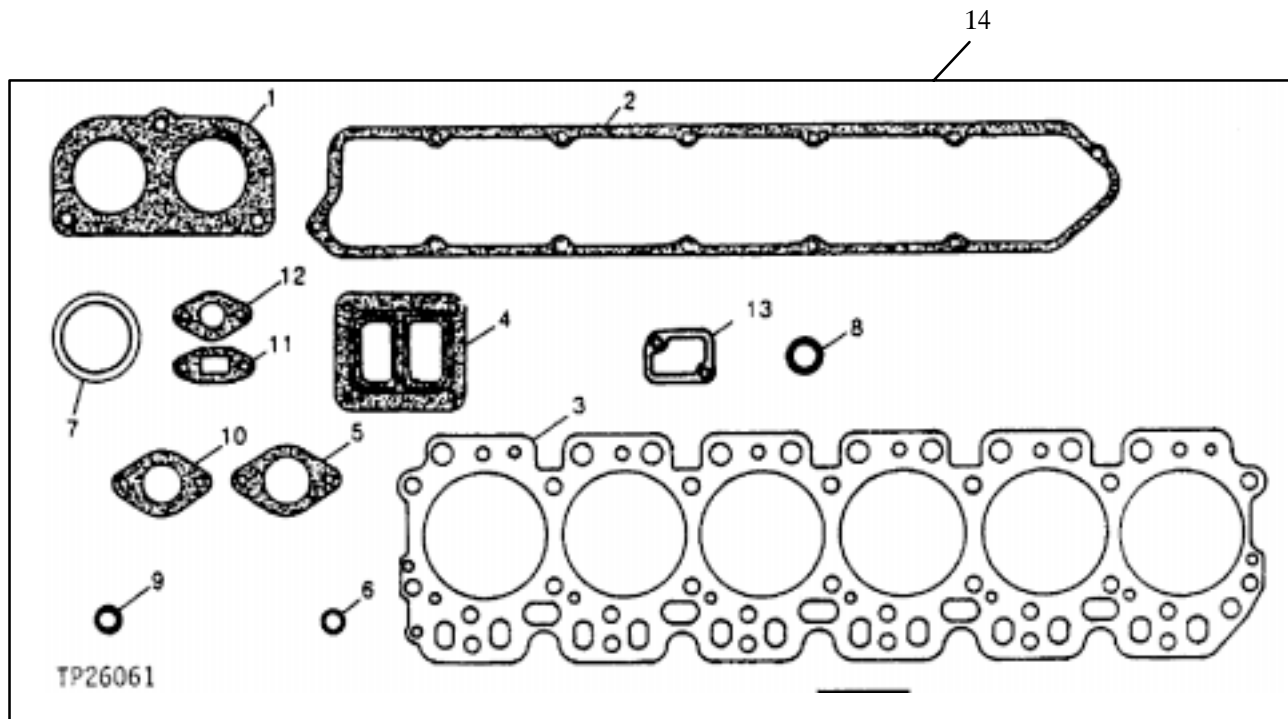
Reproduced by permission of Deere & Company,
© 1988 Deere & Company All rights reserved.

Group 39a: Overhaul Gasket Set

Item	Qty.	Description Variation	Part No.
1	1	Gasket, rocker arm cover 2, 3	360134
2	6	Gasket, exhaust manifold 2, 3	223547
3	1	Gasket, thermostat cover 2, 3	360106
4	2	Gasket, water bypass tube 2, 3	360116
5	1	Gasket, thermostat housing 2, 3	360122
6	1	Gasket, turbo oil outlet tube 2, 3	360136
7	4	Gasket, rocker arm cover stud 2, 3	360139
8	1	Gasket, cylinder head 2, 3	360094
9	1	Gasket, thermostat cover 2, 3	224012
10	1	Gasket, air inlet 2, 3	223532
11	1	Gasket, turbo to exhaust manifold 2, 3	360137
12	1	Gasket, engine oil pan 2, 3	360123
13	1	Gasket, coolant passage adapter 2, 3	360131
14	1	O-Ring, oil pump tube connector 2, 3	223512
15	1	O-Ring, oil pump outlet tube to cover 2, 3	336458
16	1	O-Ring, oil pump intake tube 2, 3	224035
17	1	Washer, oil pressure regulator plug 2, 3	223410

Item	Qty.	Description Variation	Part No.
18	1	Seal, rear oil seal 2, 3	223583
19	1	Seal Kit, front oil seal 2, 3	360181
20	1	O-Ring, fuel transfer pump 2, 3	360119
21	1	Gasket, water pump 2, 3	360124
22	1	Gasket, timing gear cover 2, 3	360125
23	1	Gasket, oil cooler housing 2, 3	360130
25	1	Gasket, oil filter header 2, 3	360133
26	1	Gasket, starting motor 2, 3	223791
27	1	O-Ring, remote oil filter tubes 2, 3	223851
28	1	O-Ring, water pump inlet 2, 3	224172
29	1	O-Ring, connector tube to timing gear cover 2, 3	360164
30	1	O-Ring, oil cooler to housing 2, 3	360170
31	1	Gasket Kit (Includes items 1-29 and connecting rod bearings, engine main bearings, and piston-cylinder liner kit) 2	360064
	1	Gasket Kit (Includes items 1-29 and connecting rod bearings, engine main bearings, and piston-cylinder liner kit) 3	360065

Group 39b: Cylinder Head Gasket Set



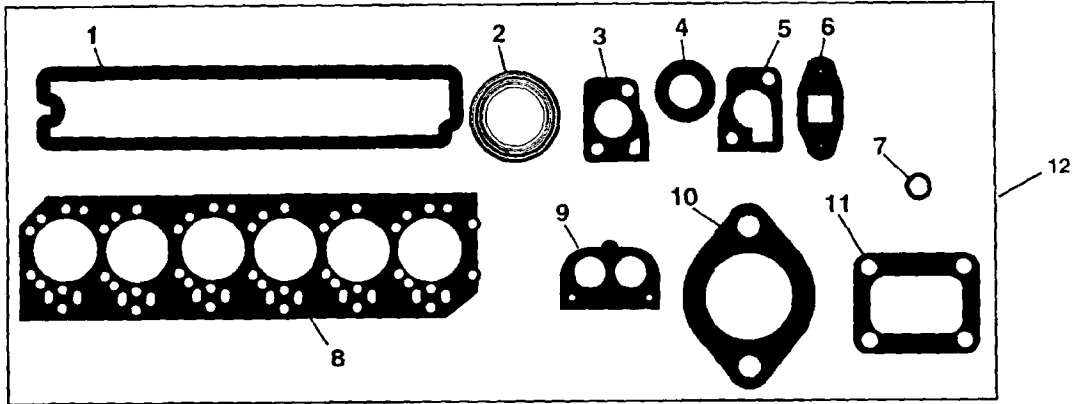
Reproduced by permission of Deere & Company,
 © 1988 Deere & Company All rights reserved.

Item	Qty.	Description Variation	Part No.
1	1	Gasket, thermostat cover 1	224012
2	1	Gasket, rocker arm cover 1	224150
3	1	Gasket, cylinder head 1	224178
4	1	Gasket, turbocharger 1	223898
5	2	Gasket, air inlet 1	223532
6	2	O-Ring, water bypass tube 1	224028
7	1	O-Ring 1	X
8	12	O-Ring, valve stem 1	X

Item	Qty.	Description Variation	Part No.
9	1	O-Ring, vent tube 1	223491
10	6	Gasket, exhaust manifold 1	223547
11	1	Gasket, turbo. oil outlet 1	224239
12	1	Gasket, turbo. oil inlet 1	X
13	1	Gasket, thermostat housing water outlet 1	224020
14	1	Gasket kit 1	224179

Common Hardware, Procure Locally
 X Not Sold Separately

Group 39b: Cylinder Head Gasket Set



Reproduced by permission of Deere & Company,
© 1988 Deere & Company All rights reserved.

Item	Qty.	Description Variation	Part No.
1	1	Gasket, rocker arm cover 2	360134
2	6	Gasket, exhaust manifold 2	223547
3	1	Gasket, thermostat cover 2	360106
4	2	Gasket, water bypass tube 2	360116
5	1	Gasket, thermostat housing 2	360122
6	1	Gasket, turbo oil outlet tube 2	360136

Item	Qty.	Description Variation	Part No.
7	4	Gasket, rocker arm cover stud 2	360139
8	1	Gasket, cylinder head 2	360094
9	1	Gasket, thermostat cover 2	224012
10	1	Gasket, air inlet 2	223532
11	1	Gasket, turbo to exhaust manifold 2	360137
12	1	Gasket Set, cylinder head 2	360063

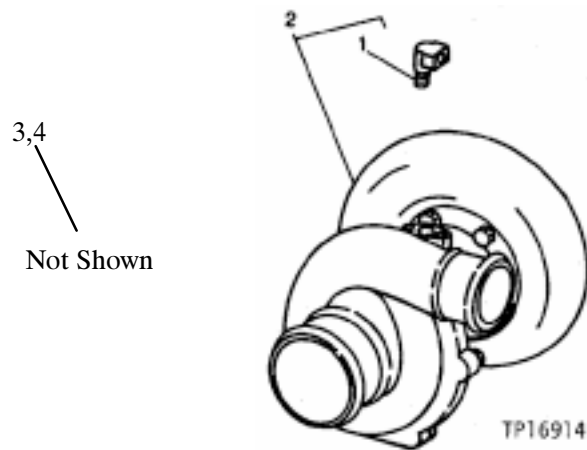
Group 42: Short Block

Item	Qty.	Description Variation	Part No.
1	1	Block assembly, short	
		1	224082
		2	360057
		3	360058

Also order Overhaul Gasket Kit (Group 39a) and Crankshaft Seal (Group 8a).

Group 50a: Turbocharger

See page 62 for turbocharger of engine model CD6059TF with engine serial numbers 190483 and after.



Reproduced by permission of Deere & Company,
© 1988 Deere & Company All rights reserved.

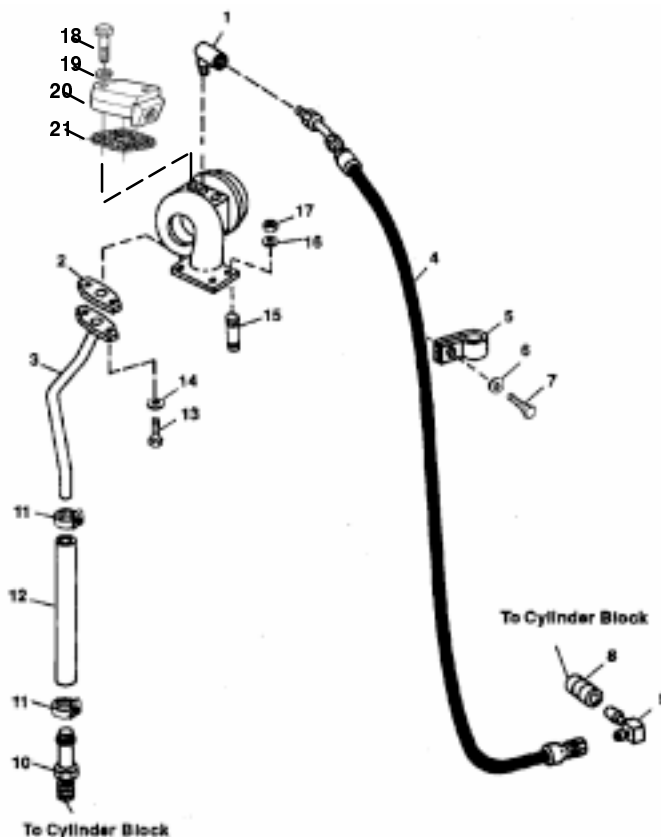
Item	Qty.	Description Variation	Part No.
1	1	Fitting, elbow	223602
		1, 2	
	1	Adapter	360006
		3	
	1	O-Ring (not shown)	360165
		3	
2	1	Turbocharger	224084
		1	
	1	Turbocharger	336497
		2	

Item	Qty.	Description Variation	Part No.
1	1	Turbocharger	360044
		3	
3	1	Housing, center	X
		1, 2, 3	
4	1	Washer kit, screw and	X
		1, 2, 3	

Common Hardware, Procure Locally
X Not Sold Separately

Group 50b: Turbocharger Oil Lines

See page 60 for turbocharger oil lines of engine model CD6059TF with engine serial numbers 190483 and after and engine model 6068TF.



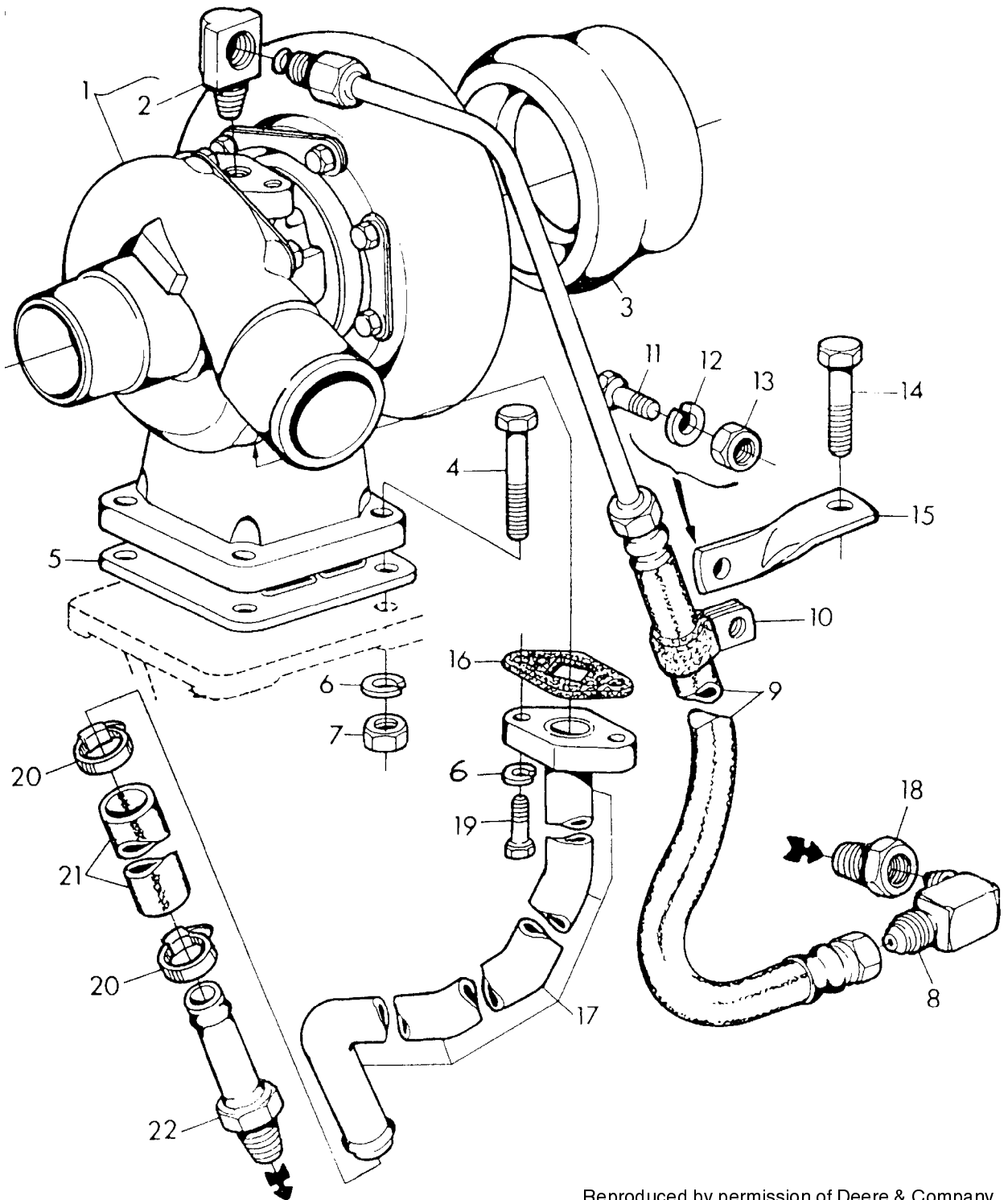
Item	Qty.	Description Variation	Part No.
1	1	Fitting, elbow 1, 2	223602
2	1	Gasket 1	224239
	1	Gasket 2	336503
3	1	Line, oil 1	224195
	1	Line, oil 2	336502
4	1	Hose 1	224173
	1	Hose 2	336498
5	1	Clamp 1, 2	X
6	1	Washer, 13/32 x 11/16 x .06" 1, 2	#
7	1	Screw, 3/8-16 x 1-1/8" 1, 2	#
8	1	Adapter, 3/8NPT 1	223405
	1	Tee Fitting, 1/8"-27NPT 2	336469
9	1	Fitting, elbow 1	223412
	1	Connector, 1/8-27 NPT x 1/2"-20 2	223457

Item	Qty.	Description Variation	Part No.
10	1	Fitting, hose 1	223461
	1	Adapter 2	336504
11	2	Clamp 1, 2	#
12	1	Hose (cut to length) 1, 2	223531
13	2	Screw, 3/8-16 x 7/8" 1, 2	#
14	2	Washer, 3/8" lock 1, 2	#
15	4	Stud, 3/8-16 1, 2	#
16	4	Washer, 13/32 x 13/16 x 1/16" 1, 2	#
17	4	Nut, 3/8-16 1, 2	#
18	2	Screw, 5/16" x 2" cap 2	#
19	3	Washer, lock 5/16" 2	#
20	1	Adapter, oil line 2	336500
21	1	Gasket 2	336501

Common Hardware, Procure Locally
X Not Sold Separately

Group 50b: Turbocharger Oil Lines

Turbocharger oil lines for engine model CD6059TF with engine serial numbers 190483 and after and engine model 6068TF.



Reproduced by permission of Deere & Company,
© 1988 Deere & Company All rights reserved.

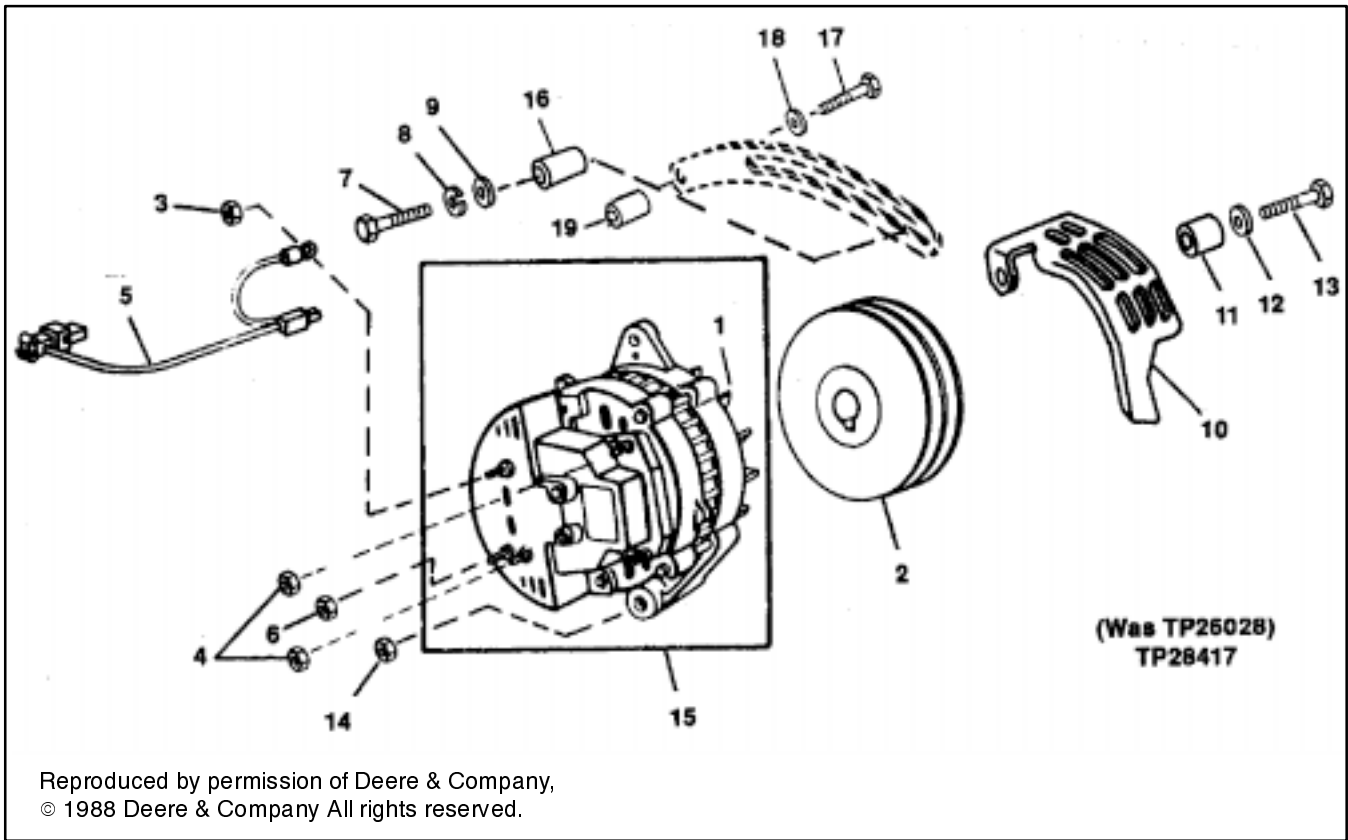
Group 50b: Turbocharger Oil Lines

Item	Qty.	Description Variation	Part No.
1	1	Turbocharger Kit	336497
	2		
	1	Turbocharger	360044
	3		
2	1	Elbow Fitting, 1/4"-18NPT	223602
	2		
	1	Adapter	360006
	3		
3	1	Adapter	X
	2		
4	4	Cap Screw, 3/8" x 1 1/8"	#
	2		
	4	Screw, M10 x 40	#
	3		
5	1	Gasket	223483
	2		
	1	Gasket	360137
	3		
6	6	Lock Washer, 3/8"	#
	2		
7	4	Nut, 3/8"	#
	2		
	4	Nut, M10	#
	3		
8	1	Fitting, 3/8"-18NPT x 9/16"-18	223412
	2		
	1	Fitting, elbow	#
	3		
	1	O-Ring, 0.364" x 0.070"	#
	3		
	1	O-Ring, 13.3mm x 2.2mm	#
	3		
9	1	Hose	336594
	2		
	1	Oil Line	360025
	3		
10	1	Clamp	#
	2		

Item	Qty.	Description Variation	Part No.
11	1	Cap Screw, 5/16" x 5/8"	#
	2		
12	1	Lock Washer, 8.1MM	#
	2		
13	1	Nut, 5/16"	#
	2		
14	1	Cap Screw, 3/8" x 3/4"	#
	2		
15	1	Strap	#
	2		
16	1	Gasket	223556
	2		
	1	Gasket	360136
	3		
17	1	Oil Line	336595
	2		
	1	Oil Line	360026
	3		
18	1	Adapter	223405
	2		
19	2	Cap Screw	#
	2		
	2	Screw, M8 x 20	#
	3		
20	2	Clamp	336475
	2		
	2	Clamp	360062
	3		
21	1	Hose	336596
	2		
	1	Hose	360097
	3		
22	1	Fitting	336504
	2		
	1	Fitting	360102
	3		

Common Hardware, Procure Locally
X Not Sold Separately

Group 51a: Alternator



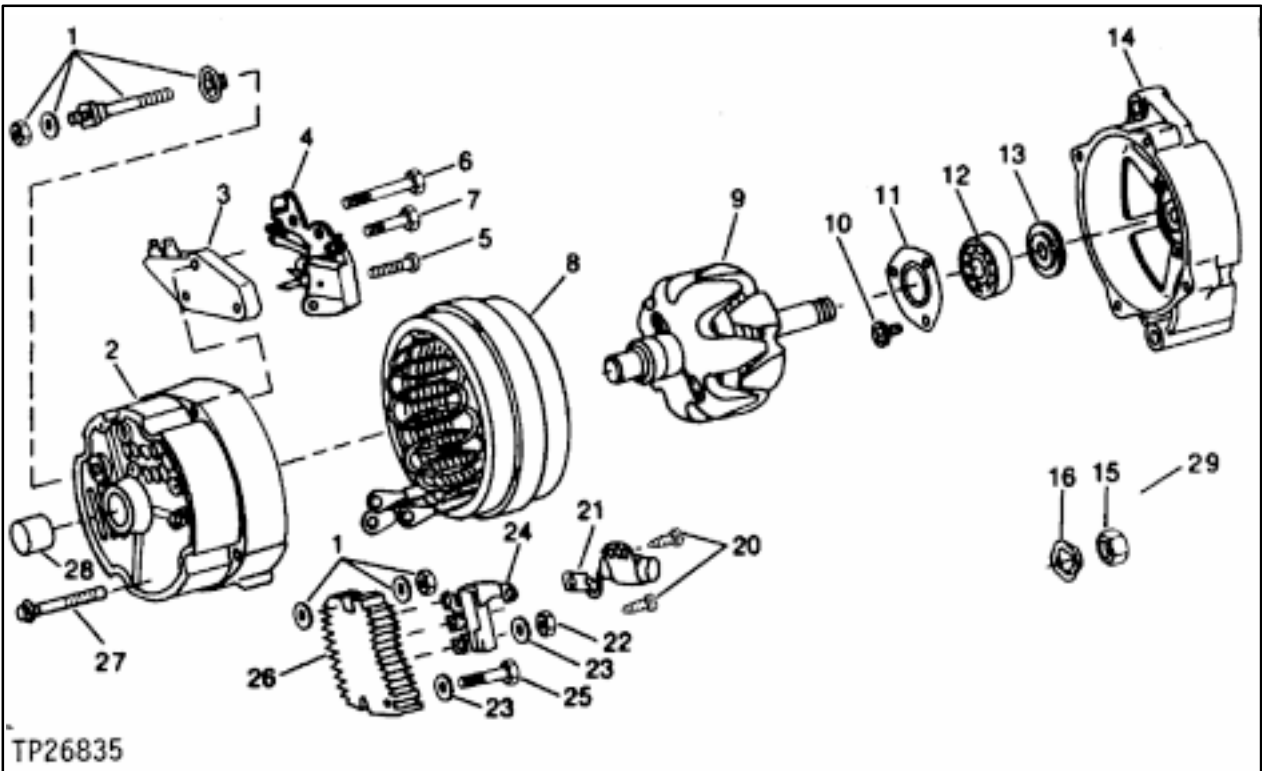
Item	Qty.	Description Variation	Part No.
1	1	Fan	X
		1, 2, 3	
2	1	Sheave (pulley)	
		1	224258
		2, 3	360168
3	1	Nut, M6 lock	#
		1	
4	2	Nut, M5	#
		1	
5	1	Harness, wiRing	224235
		1	
	1	Harness, wiRing	360046
		2, 3	
6	1	Nut, M5	#
		1	
7	1	Screw, M8 x 25 cap	#
		1	
	1	Screw, M8 x 50	#
		1	
8	1	Washer, 5/16" lock	#
		1	
9	1	Washer, 11/32 x 1 x .194"	#
		1	
10	1	Shield	223485
		1	
11	1	Spacer, .423 x .675 x 1"	#
		1	

Item	Qty.	Description Variation	Part No.
	1	Bushing	360169
		2, 3	
12	1	Washer, M10	#
		1	
	1	Washer	224331
		2, 3	
13	1	Screw, M10 x 75 cap	#
		1	
	1	Nut, M16	#
		2, 3	
14	1	Nut, M10	#
		1	
15	1	Alternator (new)	224244
		1	
	1	Alternator (rebuilt)	not available
		1	
	1	Alternator (12 Volt)	360001
		2	
	1	Alternator (24 Volt)	360002
		3	
16	1	Spacer, .493 x .675 x 7/16"	#
		1	
17	1	Screw, 3/8-16 x 3-1/4"	#
		1	
18	1	Washer, .343 x .75 x 5/64"	#
		1	
19	1	Spacer, 3/8 x 1-7/16	#
		1	

Common Hardware, Procure Locally
X Not Sold Separately

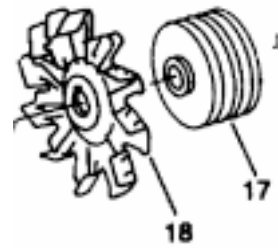
Notes

Group 51b: Alternator Components



Reproduced by permission of Deere & Company,
© 1988 Deere & Company All rights reserved.

29



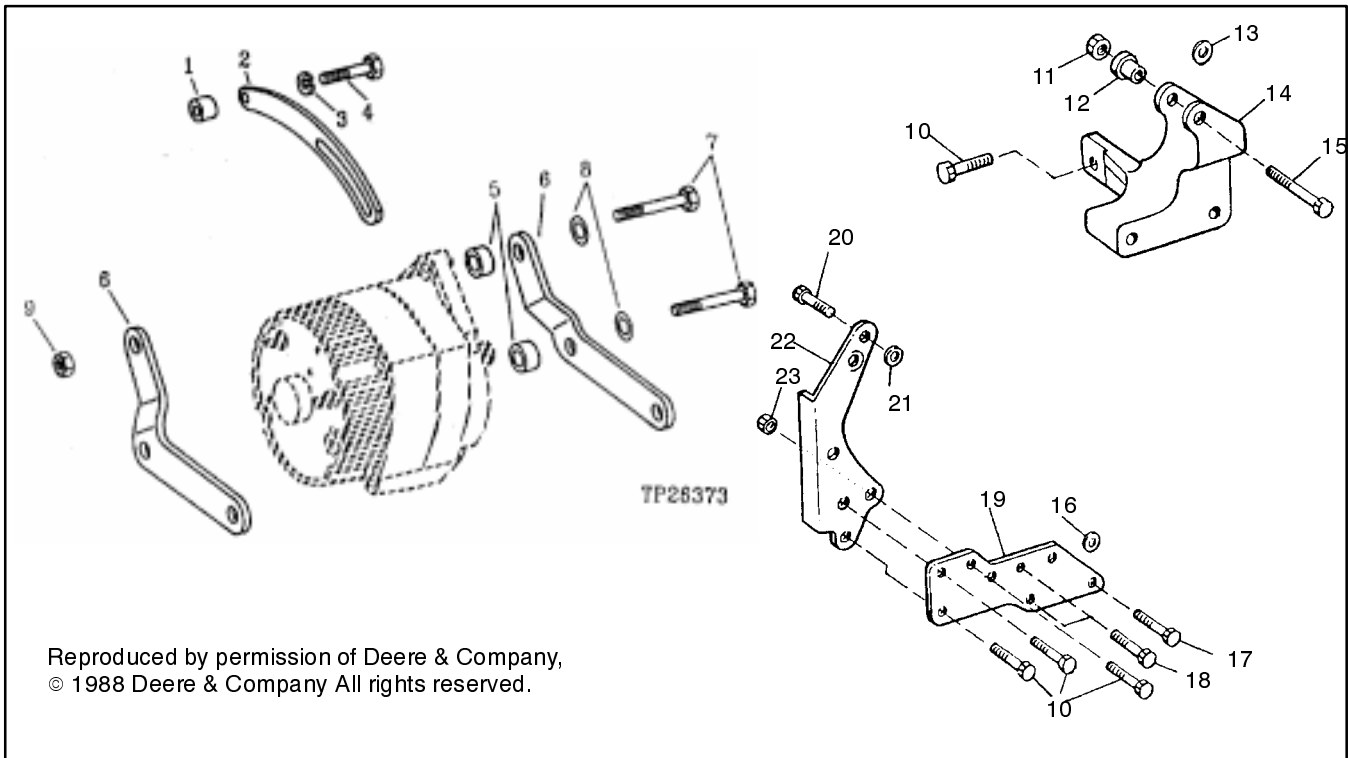
Group 51b: Alternator Components

Item	Qty.	Description Variation	Part No.
1	1	Terminal 1, 2, 3	X
2	1	Housing 1, 2, 3	X
3	1	Voltage Regulator 1, 2, 3	X
4	1	Holder, carbon brush 1, 2, 3	X
5	1	Screw 1, 2, 3	X
6	1	Screw 1, 2, 3	X
7	2	Screw 1, 2, 3	X
8	1	Stator 1, 2, 3	X
9	1	Rotor 1, 2, 3	X
10	3	Screw, #10 x 1/2" 1, 2, 3	X
11	1	Retainer 1, 2, 3	X
12	1	BeaRing 1, 2, 3	X
13	1	Shim 1, 2, 3	X
14	1	Housing 1, 2, 3	X
15	1	Nut 1, 2, 3	X
16	1	Washer 1, 2, 3	X
17	1	Pulley 1, 2, 3	X

Item	Qty.	Description Variation	Part No.
18	1	Fan 1, 2, 3	X
19	1	Washer (outer) 1, 2, 3	X
20	2	Screw, #8 x 5/8" 1, 2, 3	X
21	1	Capacitor 1, 2, 3	X
22	3	Nut (0.164") 1, 2, 3	X
23	3	Washer, #8 1, 2, 3	X
24	1	Diode (trio, negative) 1, 2, 3	X
25	1	Screw, #8 x 7/8" 1, 2, 3	X
26	1	Rectifier (bridge, positive) 1, 2, 3	X
27	4	Bolt 1, 2, 3	X
28	1	BeaRing, roller 1, 2, 3	X
29	1	Alternator (new) 1	224244
1	1	Alternator (rebuilt) 1	not available
1	1	Alternator (12 Volt) 2	360001
1	1	Alternator (24 Volt) 3	360002

Common Hardware, Procure Locally
X Not Sold Separately

Group 51c: Alternator Mounting



Item	Qty.	Description Variation	Part No.
1	1	Washer, .493 x .675 x 5/16" 1	#
2	1	Strap 1	224099
3	1	Washer, 3/8" 1	#
4	1	Screw, 3/8-16 x 2-1/4" 1	#
5	2	Spacer 3/8 x 7/16" 1	#
6	2	Bracket 1	224033
7	2	Screw, 3/8-16 x 3" 1	#
8	2	Washer, 13/32 x 23/32 x .12" 1	#
9	2	Nut, 3/8-16 1	#
10	1	Screw, M10 x 30 2	#
11	1	Flange Nut, M10 2	#
12	1	Bushing 2	360076

Item	Qty.	Description Variation	Part No.
13	1	Thrust Washer 2	360166
14	1	Bracket 2	360150
15	1	Screw, M10 x 100 2	#
16	1	Washer 2	#
17	2	Screw, M8 x 60 2	#
18	2	Cap Screw, M10 x 25 2	#
19	1	Bracket 2	360155
20	1	Screw, M8 x 25 2	#
21	1	Washer, 8.128 x 15.748 x 3.937mm 2	#
22	11	Strap, alternator 2	360156
23	3	Flange Nut, M10 2	#

Common Hardware, Procure Locally
X Not Sold Separately

Generator Paint

Item	Qty.	Description Variation	Part No.
1	1	12 oz. Can Cream Beige Spray Paint	221323
2	1	Gallon Can Cream Beige Spray Paint	221322

