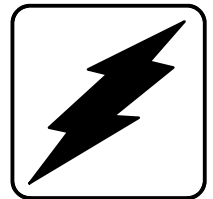


Parts Catalog

Microprocessor Logic
Automatic and Bypass-Isolation
Transfer Switches



Model:
M340

See TP-5645 for Contactor Service Parts

KOHLER[®]
POWER SYSTEMS

Table Of Contents

Introduction	
Contactor Service Parts	2
Standard Hardware and Leads	2
How To Find Part Numbers	2
Accessory Part Numbers	2
Consult Factory	2
Kohler Part Number Key	3
Explanation of Kohler Part Number	3
Transfer Switch Breakdown Diagram	4
Enclosures	
Automatic NEMA Type 1 30-800 Amp.	6
Automatic NEMA Type 1 1000-1200 Amp.	8
Automatic NEMA Type 1 1600-2000 Amp.	12
Automatic NEMA Type 1 3000-4000 Amp.	16
Automatic NEMA Type 1, CSA 30-800 Amp.	20
Bypass Isolation NEMA Type 1 150-400 Amp.	22
Bypass Isolation NEMA Type 1 600-800 Amp.	26
Bypass Isolation NEMA Type 1 1000-1200 Amp.	30
Inner Door Panel	34
Neutral Lug	
NEMA Type 1	36
NEMA Type 1 CSA	38
Transformer	40
Accessories	42

Introduction

Use this catalog to locate service parts for Kohler microprocessor controlled Transfer Switches 30 to 4000 Amperes. If service parts are needed for Kohler Bypass-Isolation Switches, use the appropriate groups of this catalog to locate service parts for the transfer switch and “Consult Factory” for all other bypass-isolation switch related components.

Contactor Service Parts

This catalog does not contain service parts for Group 405—Contactors and the contactor assemblies. Contactor service parts are listed in a separate catalog, TP-5645.

Standard Hardware and Leads

Procure standard hardware (identified as #) locally using description provided. Individual leads do not appear in this catalog. Most leads are available by ordering the appropriate wiring harness. Otherwise replacement will require fabrication using same type of stranded copper wire (gauge, color length, identical terminals, and proper lead designation at each end).

How To Find Part Numbers

Follow the step-by-step instructions to determine the correct parts. An example is given with each step. For a complete description of the transfer switch part number, see “Explanation of Kohler Part Number”.

1. Record transfer switch part number on the following page.
Example: K-561341-0150
2. Determine group in which service part is needed using figure 1, page 4.
Example: Need enclosure door.
3. Locate the NEMA Type 1 section in Enclosures.
4. Locate 150 amperage column.
5. Locate part number in 150 amperage column
Example: Door, enclosure 294790

When a quantity of more than one is used, a number in parentheses will follow the part description or part number.

Accessory Part Numbers

1. Record transfer switch part number and include accessory requiring service. Factory installed accessories are shown on transfer switch nameplate.
Example: K-568543-0070, 31BA
2. Determine accessory number and component needed.
Example: 31-BA (Audible Alarm); Need 2 Amp. fuse
3. Turn to Accessories and locate accessory number. Look at parts listing for components.
Example: Fuse, 2 Amp 239049

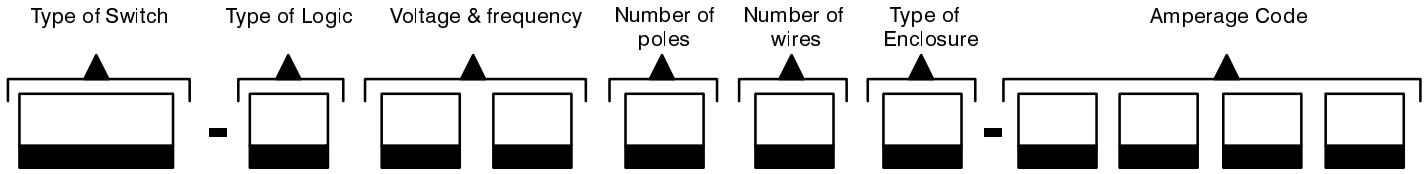
When a quantity of more than one is used, a number in parentheses will follow the part description.

Consult Factory

If part numbers or accessories indicate “Consult Factory,” contact Kohler Co., Generator Division, Generator Service Parts Dept., Kohler, WI 53044. Telephone (414) 565-3381.

Explanation of Kohler Part Number

Record the transfer switch part number in spaces below. The transfer switch part number must be known to determine the component part numbers.



Kohler Part Number Key

This diagram explains the Kohler Transfer Switch model numbering code system. The sample number shown is for a microprocessor controlled Automatic Transfer Switch, 480-Volt, 60 Hertz, 3-phase, 3- pole, 4-wire, 150-Ampere model in a NEMA 1 enclosure.

SAMPLE PART NUMBER

K-566341-0150

TYPE OF TRANSFER SWITCH

- K - Automatic Transfer Switch
- KB - Automatic Transfer and Bypass Isolation Switch
- KN - Nonautomatic Transfer Switch

TYPE OF LOGIC (Determining Digit A)

- 1 - Solid State
- 2 - Relay
- 3 - Manual Relay
- 4 - Elevator Control
- 5 - Microprocessor

VOLTAGE & FREQUENCY PHASE TO PHASE (Determining Digit B)

- | | |
|--------------------|--------------------|
| 240V AC MAX | 600V AC MAX |
| 21 - 110V 50/60 HZ | 60 - 600V 50/60 HZ |
| 22 - 120V 50/60 HZ | 61 - 110V 50/60 HZ |
| 23 - 220V 50/60 HZ | 62 - 120V 50/60 HZ |
| 24 - 240V 50/60 HZ | 63 - 220V 50/60 HZ |
| 27 - 190V 50/60 HZ | 64 - 240V 50/60 HZ |
| 28 - 208V 50/60 HZ | 65 - 550V 50/60 HZ |
| | 66 - 480V 50/60 HZ |
| | 67 - 190V 50/60 HZ |
| | 68 - 208V 50/60 HZ |
| | 69 - 440V 50/60 HZ |
| | 71 - 380V 50/60 HZ |
| | 73 - 416V 50/60 HZ |

NUMBER OF POLES (Determining Digit C)

- 2 - 2-Pole, 1-Phase
- 3 - 3-Pole, 3-Phase
- 4 - 3-Pole, 1-Phase
- 5 - 3-Pole, 3-Phase with overlapping neutral contacts

NUMBER OF WIRES (Determining Digit D)

- 2 - 2-Wire
- 3 - 3-Wire
- 4 - 4-Wire

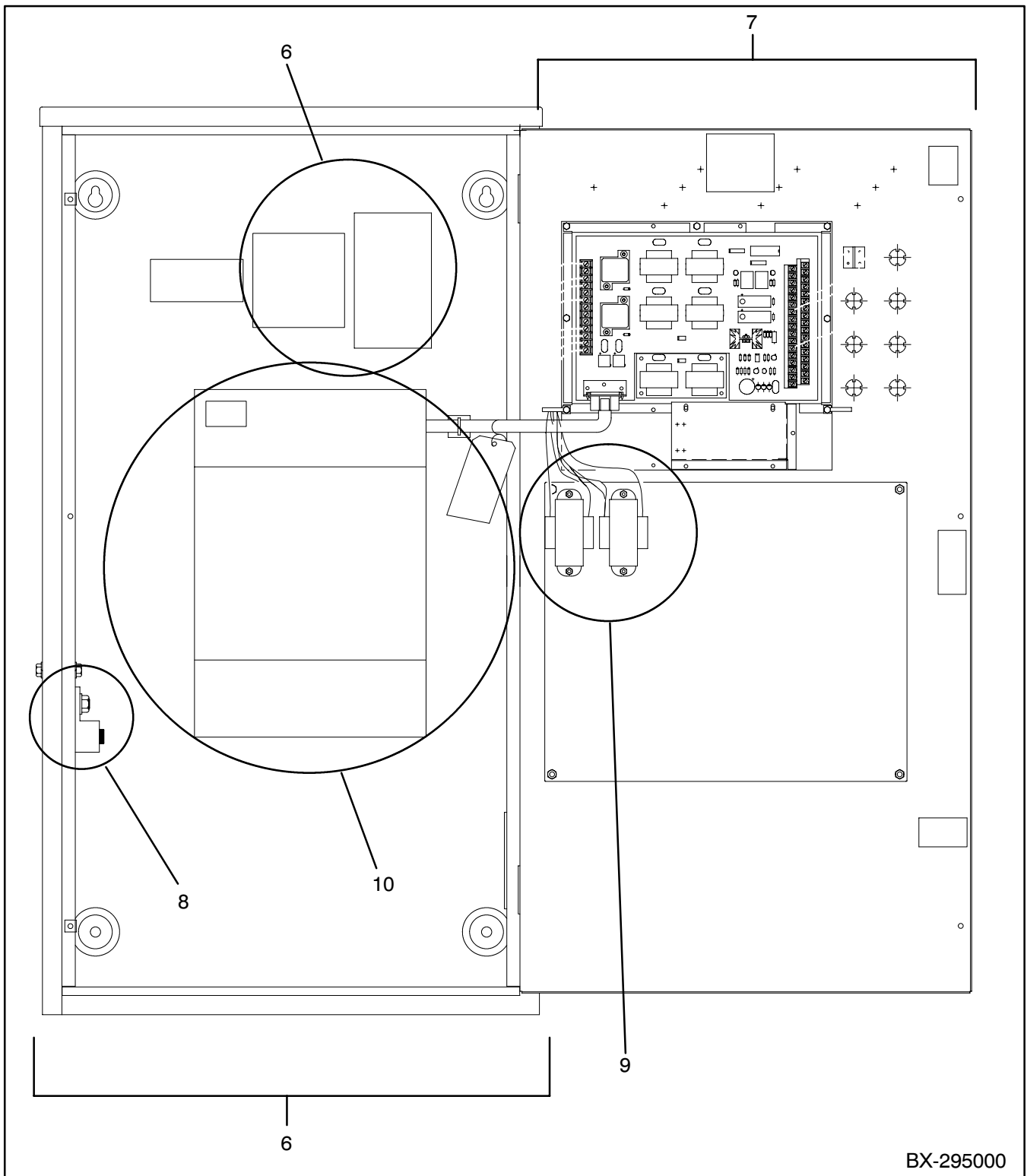
TYPE OF ENCLOSURE (Determining Digit E)

- 0 - Open
- 1 - NEMA Type 1
- 2 - NEMA Type 12
- 3 - NEMA Type 3R
- 4 - NEMA Type 1 CSA
- 7 - Open CSA

AMPERES (Determining Digit F)

- | | |
|--------------------|---------------------|
| 0030 - 30 Amperes | 0800 - 800 Amperes |
| 0070 - 70 Amperes | 1000 - 1000 Amperes |
| 0100 - 100 Amperes | 1200 - 1200 Amperes |
| 0104 - 104 Amperes | 1600 - 1600 Amperes |
| 0150 - 150 Amperes | 2000 - 2000 Amperes |
| 0225 - 225 Amperes | 2500 - 2500 Amperes |
| 0260 - 260 Amperes | 3000 - 3000 Amperes |
| 0400 - 400 Amperes | 4000 - 4000 Amperes |
| 0600 - 600 Amperes | |

Transfer Switch Breakdown



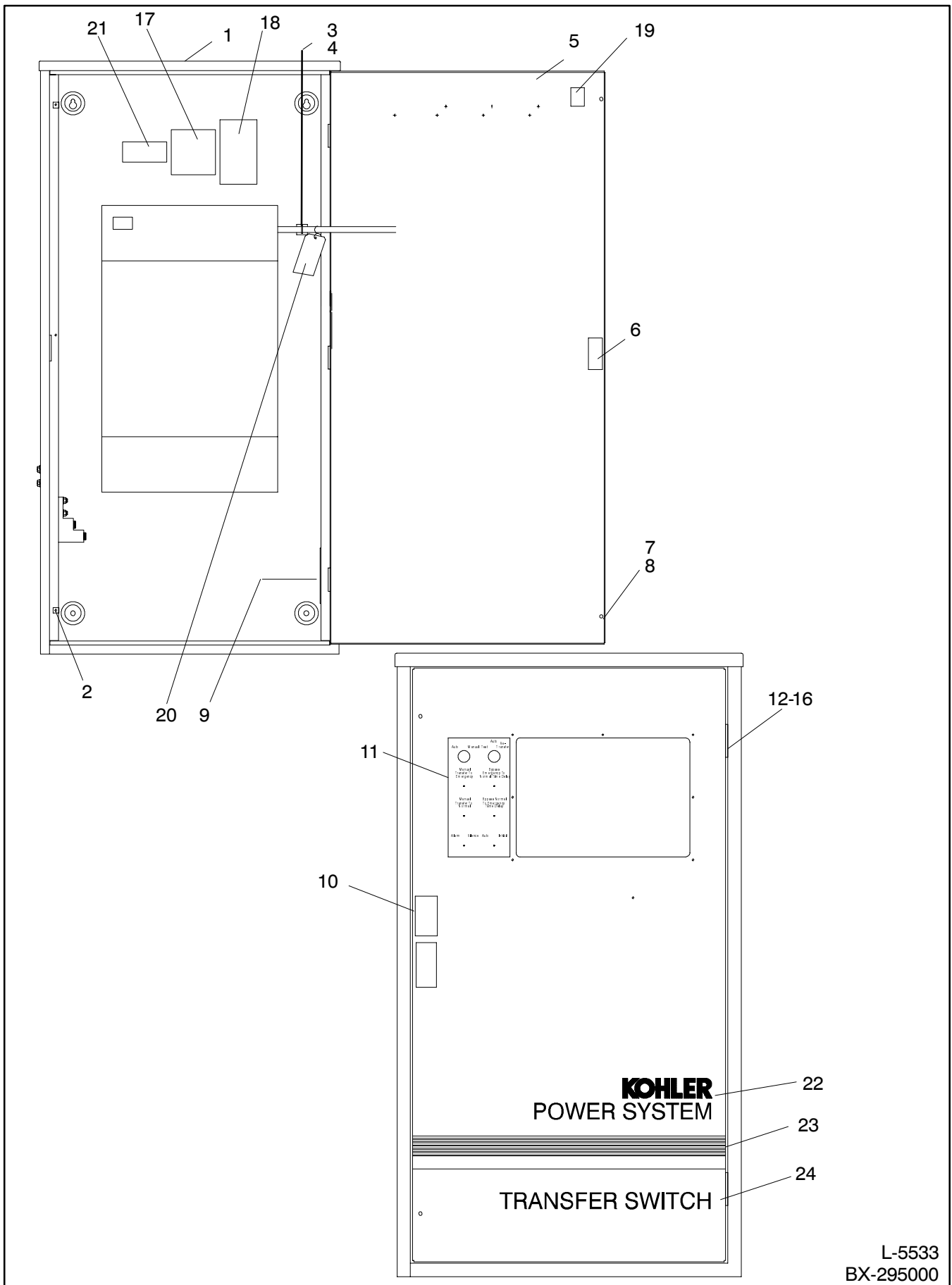
- 6 Enclosure (includes Decals)
- 7 Inner Panel
- 8 Neutral Lug
- 9 Transformer
- 10 Contactor Use TP-5645

Figure 1. Transfer Switch Breakdown

This Page Intentionally Left Blank

Enclosures

Automatic NEMA Type 1 30-800 Amp.

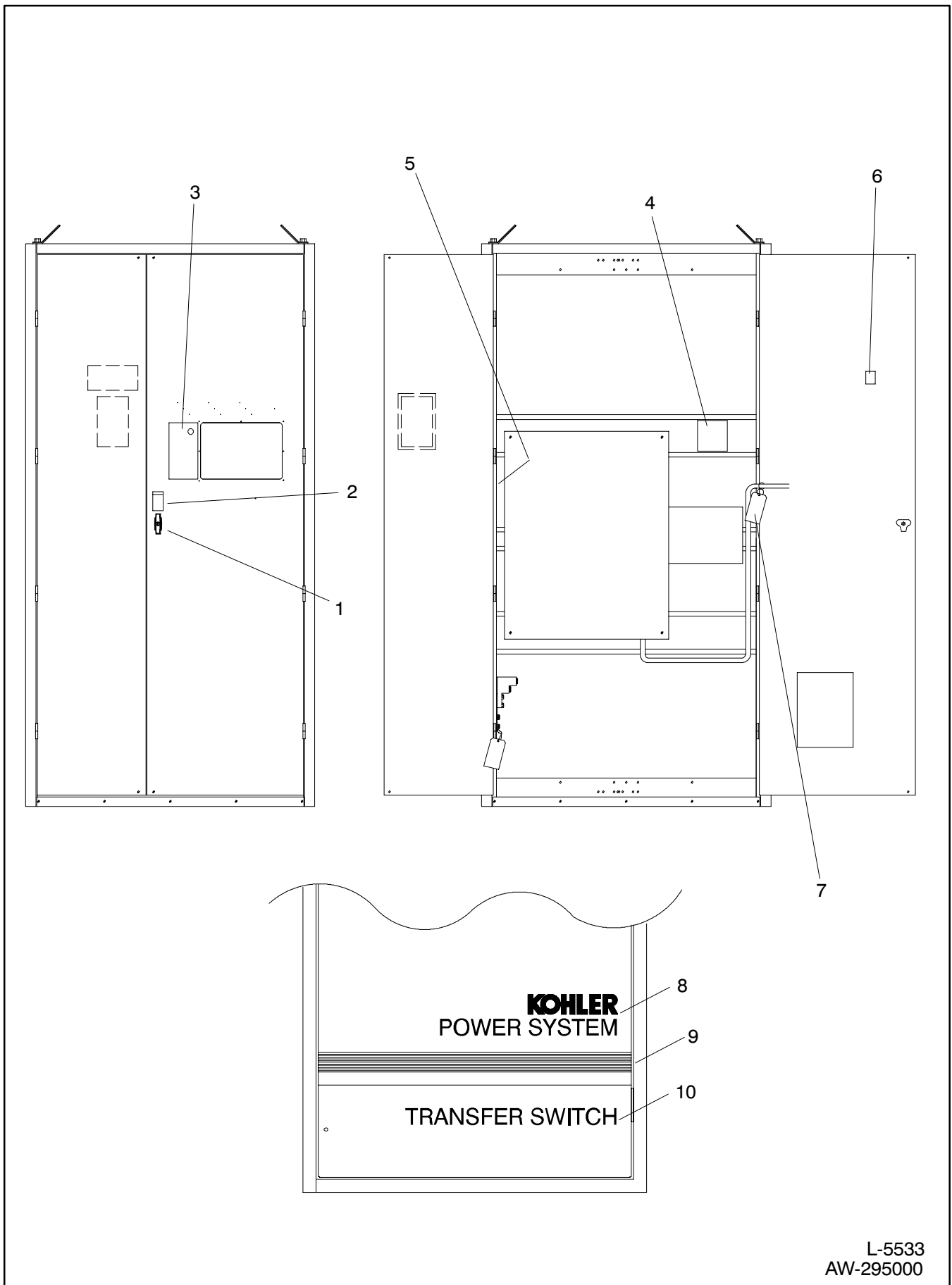


L-5533
BX-295000

Automatic NEMA Type 1 30-800 Amp.

Enclosures

Item	Description	Part Number		
		30-150 Amp.	225-400 Amp.	600-800 Amp.
1	Enclosure, transfer panel	294318	294306	295015
2	Clip, speed (2)	257442	257422	X-6220-1
3	Base, tie wrap (2)	298776	298776	298776
4	Tie, cable (2)	X-468-1	X-468-1	X-468-1
5	Door, enclosure	294790	294791	294792
6	Latch, locking	295004	295004	295004
7	Screw, H.C. (2)	X-117-4	X-117-4	X-468-2
8	Retainer (2)	295010	295010	295009
9	Envelop, instruction	298777	298777	298777
10	Decal	294520	294520	294520
11	Decal	294853	294853	294853
12	Washer, plain	X-25-7 (4)	X-25-7 (4)	X-25-7 (6)
13	Nut, hex 10-24	X-70-2 (4)	X-70-2 (4)	X-70-2 (6)
14	#10-24 Nut (Encl. side)	#	#	#
15	Screw, flat head	295098 (8)	295098 (8)	295098(12)
16	Hinge, split	297600 (2)	297600 (2)	297600 (3)
17	Decal, notice	294414	294414	294414
18	Decal, contactor	294602	294602	294602
19	Decal, 1-800 number	224233	224233	224233
20	Instruction tag	297949	297949	297949
21	Decal, "Protect equipment"	297610	297610	297610
22	Decal, Kohler Power System	X-6246-3	X-6246-3	X-6246-4
23	Decal, stripes	X-6231-1	X-6231-1	X-6231-2
24	Decal, Transfer Switch	273746	273746	273746



L-5533
AW-295000

Automatic NEMA Type 1 1000-1200 Amp.

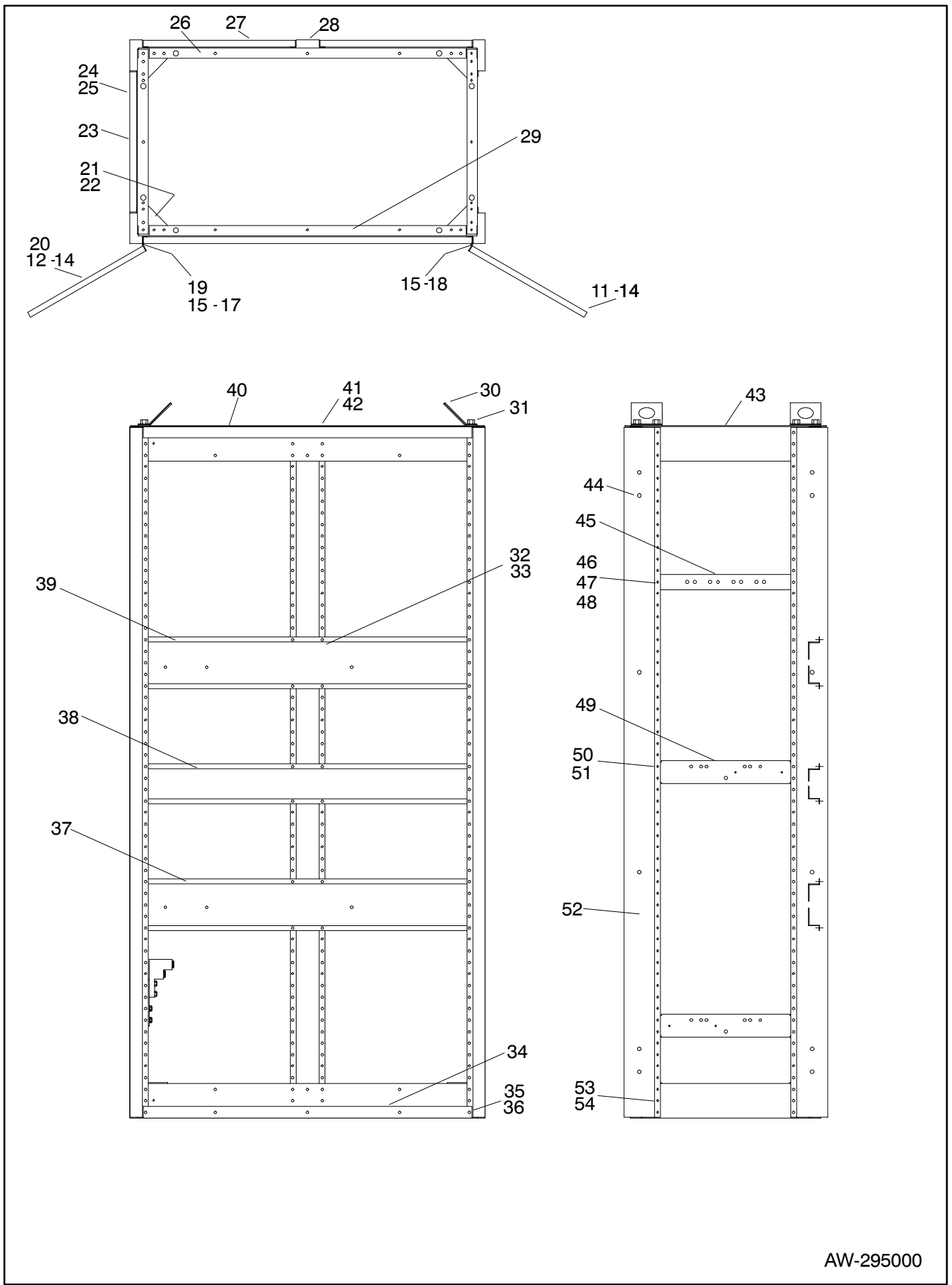
Enclosures

Item	Description	Part Number
1	Latch, T-handle	X-6132-4
2	Decal	294520
3	Decal	294853
4	Decal, notice	294414
5	Decal, contactor	294602
6	Decal, 1-800 number	224233
7	Instruction tag	297949
8	Decal, Power System	X-6246-3
9	Decal, stripes	X-6232-1
10	Decal, Transfer Switch	273746
11	Door, enclosure	294793
12	Retainer,nut (2)	X-6204-1
13	1/4 washer (2)	#
14	Screw, hex washer (2)	X-791-3
15	Nut, hex 10-24 (8)	X-70-2
16	Washer, plain (8)	X-25-7
17	Screw, flat head (8)	295098
18	Hinge, split (4)	297600
19	Hinge, split (4)	297601
20	Door, left	294334
21	1/4-20 nut (16)	#
22	Brace, corner (4)	298722
23	Panel, side (4)	298349
24	Clip, speed (48)	297596
25	Screw, hex washer (48)	X-791-3
26	Channel, top & bottom (2)	298430
27	Panel, back (4)	298350
28	Channel, center vertical	298427
29	Channel (2)	294335

Item	Description	Part Number
30	Bracket, lifting (8)	298433
31	3/8-16 hardware (8)	#
32	Screw, hex washer (24)	X-791-2
33	1/4-20 nut	#
34	Panel, spacer	298434
35	Screw, hex washer (5)	X-791-3
36	1/4-20 nut (5)	#
37	Bracket, bottom	298440
38	Bracket, support	298443
39	Bracket, top mounting	298441
40	Plate, top	298352
41	Screw, hex washer (12)	X-791-2
42	Clip, speed (12)	297952
43	Channel,top & bottom (4)	298429
44	Button, plug (24)	X-301-23
45	Bus, ground	298424
46	Screw, hex washer (2)	X-791-3
47	1/4-20 nut (2)	#
48	Washer, lock 1/4 (2)	X-22-11
49	Channel, 3" side (3)	298437
50	Screw,hex washer (12)	X-791-2
51	1/4-20 nut (12)	#
52	Channel, corner (4)	298425
53	1/4-20 nut (82)	#
54	Screw, hex washer (82)	X-791-2

Enclosures

Automatic NEMA Type 1 1000-1200 Amp.



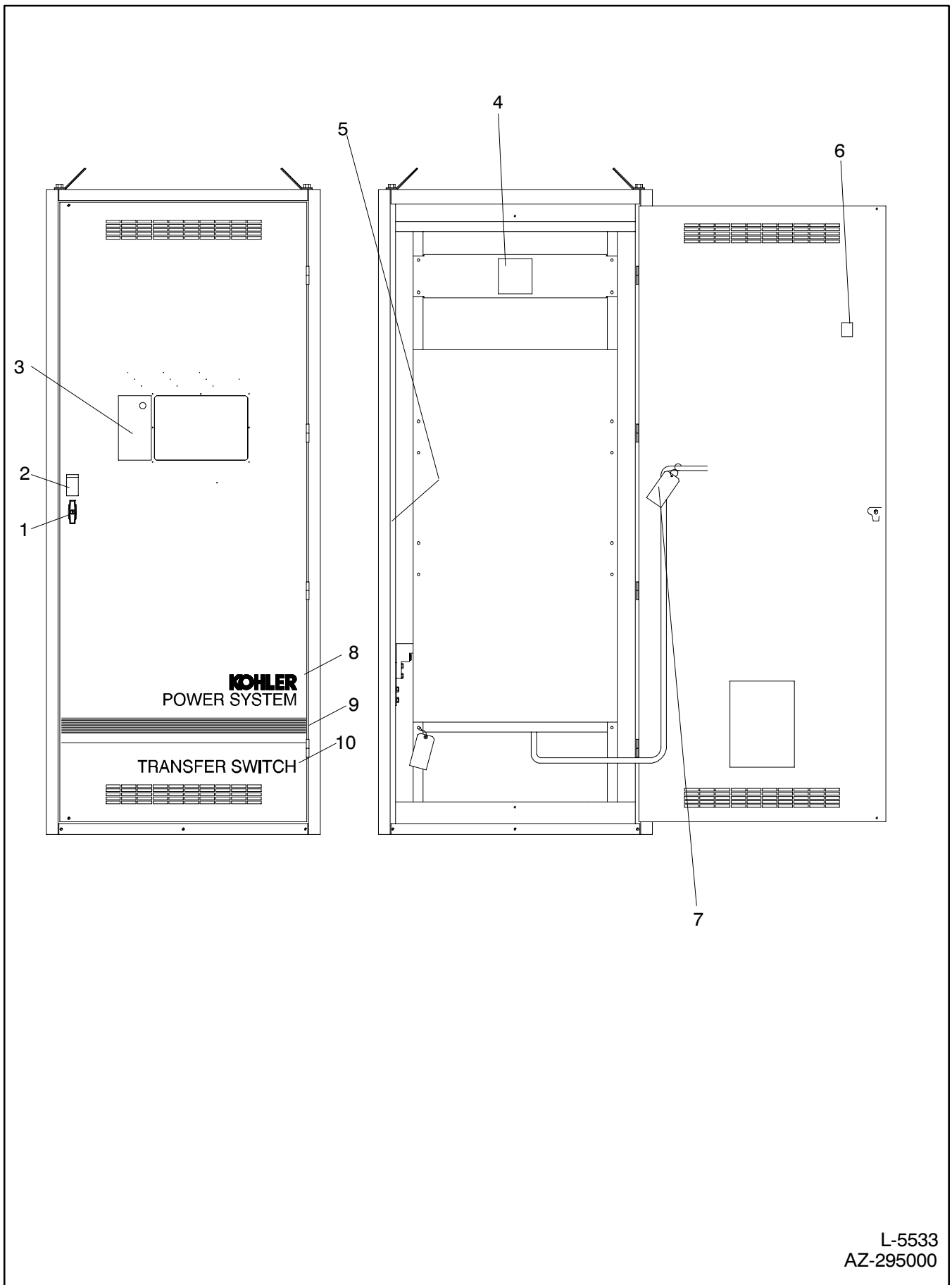
AW-295000

Automatic NEMA Type 1 1000-1200 Amp.

Enclosures

Item	Description	Part Number
1	Latch, T-handle	X-6132-4
2	Decal	294520
3	Decal	294853
4	Decal, notice	294414
5	Decal, contactor	294602
6	Decal, 1-800 number	224233
7	Instruction tag	297949
8	Decal, Power System	X-6246-3
9	Decal, stripes	X-6232-1
10	Decal, Transfer Switch	273746
11	Door, enclosure	294793
12	Retainer,nut (2)	X-6204-1
13	1/4 washer (2)	#
14	Screw, hex washer (2)	X-791-3
15	Nut, hex 10-24 (8)	X-70-2
16	Washer, plain (8)	X-25-7
17	Screw, flat head (8)	295098
18	Hinge, split (4)	297600
19	Hinge, split (4)	297601
20	Door, left	294334
21	1/4-20 nut (16)	#
22	Brace, corner (4)	298722
23	Panel, side (4)	298349
24	Clip, speed (48)	297596
25	Screw, hex washer (48)	X-791-3
26	Channel, top & bottom (2)	298430
27	Panel, back (4)	298350
28	Channel, center vertical	298427
29	Channel (2)	294335

Item	Description	Part Number
30	Bracket, lifting (8)	298433
31	3/8-16 hardware (8)	#
32	Screw, hex washer (24)	X-791-2
33	1/4-20 nut	#
34	Panel, spacer	298434
35	Screw, hex washer (5)	X-791-3
36	1/4-20 nut (5)	#
37	Bracket, bottom	298440
38	Bracket, support	298443
39	Bracket, top mounting	298441
40	Plate, top	298352
41	Screw, hex washer (12)	X-791-2
42	Clip, speed (12)	297952
43	Channel,top & bottom (4)	298429
44	Button, plug (24)	X-301-23
45	Bus, ground	298424
46	Screw, hex washer (2)	X-791-3
47	1/4-20 nut (2)	#
48	Washer, lock 1/4 (2)	X-22-11
49	Channel, 3" side (3)	298437
50	Screw,hex washer (12)	X-791-2
51	1/4-20 nut (12)	#
52	Channel, corner (4)	298425
53	1/4-20 nut (82)	#
54	Screw, hex washer (82)	X-791-2



L-5533
AZ-295000

Automatic NEMA Type 1 1600-2000 Amp.

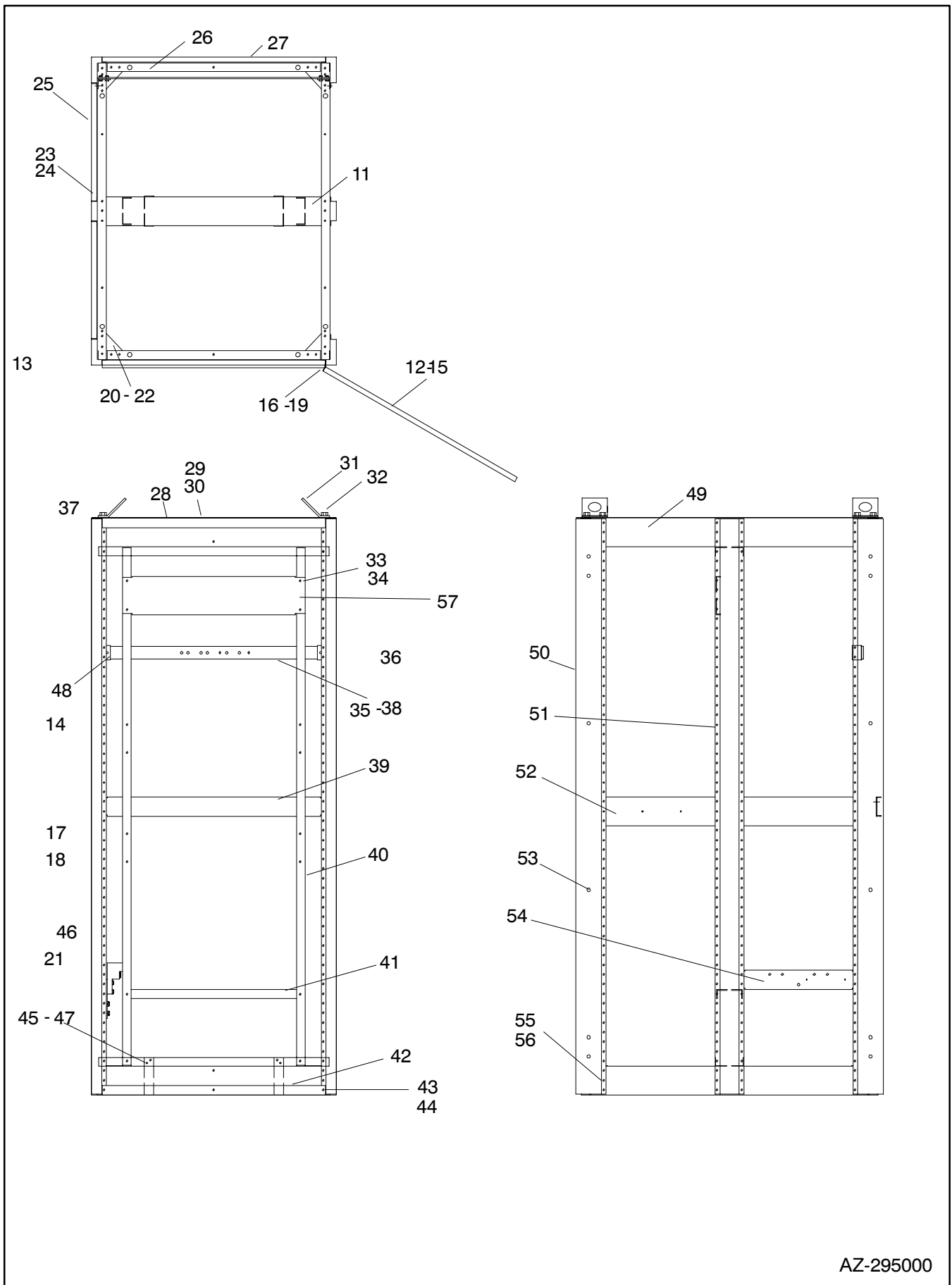
Enclosures

Item	Description	Part Number
1	Latch, T-handle	X-6132-4
2	Decal	294520
3	Decal	294853
4	Decal, notice	294414
5	Decal, contactor	294602
6	Decal, 1-800 number	224233
7	Instruction tag	297949
8	Decal, Power System	X-6246-3
9	Decal, stripes	X-6232-1
10	Decal, Transfer Switch	273746
11	Channel, crossmember(2)	298445
12	Door, enclosure	294794
13	Screw, hex washer (2)	X-791-3
14	1/4 washer (2)	#
15	Retainer,nut (2)	X-6204-1
16	Hinge, split (4)	297600
17	Screw, flat head (8)	295098
18	Nut, hex 10-24 (8)	X-70-2
19	Washer, plain (8)	X-25-7
20	Brace, corner (4)	298722
21	Screw, hex washer (16)	X-791-2
22	1/4-20 nut (16)	#
23	Clip, speed (60)	297596
24	Screw, hex washer (60)	X-791-3
25	Panel, side (8)	298349
26	Channel, top and bottom	298432
27	Panel, back (3)	298351
28	Plate, top	298448
29	Clip, speed (12)	297952
30	Screw, hex washer (12)	X-791-2

Item	Description	Part Number
31	Bracket, lifting (8)	298433
32	3/8-16 hardware (8)	#
33	Screw, hex washer (12)	X-791-2
34	1/4-20 nut	#
35	Bus, ground	298446
36	Screw, hex washer (8)	X-791-3
37	Washer, lock 1/4 (8)	X-22-11
38	1/4-20 nut	#
39	Channel, front and back	261836
40	Channel, vertical (2)	298444
41	Support	298442
42	Panel, spacer	298438
43	Screw, hex washer (3)	X-791-3
44	1/4-20 nut (2)	#
45	Support, channel (2)	298784
46	Screw,hex washer (12)	X-791-2
47	1/4-20 nut (8)	#
48	Bracket, mounting	298447
49	Channel,top & bottom (4)	298431
50	Channel, corner (4)	298425
51	Channel, center vertical	298427
52	Channel, side (2)	298426
53	Button, plug (24)	X-301-23
54	Channel, 3" side (3)	298437
55	Screw, hex washer (126)	X-791-2
56	1/4-20 nut (126)	#
57	Channel	298428

Enclosures

Automatic NEMA Type 1 1600-2000 Amp.



AZ-295000

Automatic NEMA Type 1 1600-2000 Amp.

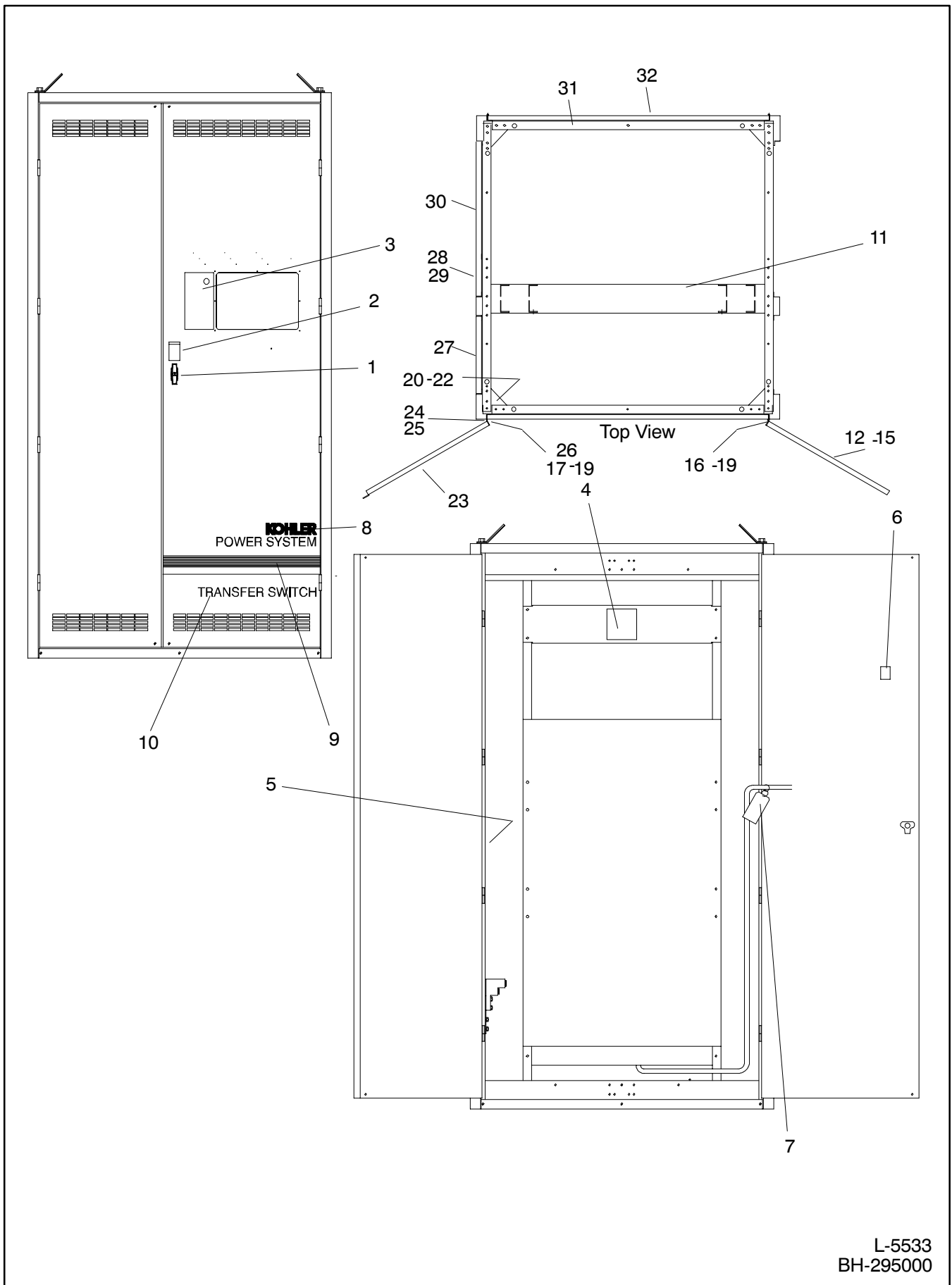
Enclosures

Item	Description	Part Number
1	Latch, T-handle	X-6132-4
2	Decal	294520
3	Decal	294853
4	Decal, notice	294414
5	Decal, contactor	294602
6	Decal, 1-800 number	224233
7	Instruction tag	297949
8	Decal, Power System	X-6246-3
9	Decal, stripes	X-6232-1
10	Decal, Transfer Switch	273746
11	Channel, crossmember(2)	298445
12	Door, enclosure	294794
13	Screw, hex washer (2)	X-791-3
14	1/4 washer (2)	#
15	Retainer,nut (2)	X-6204-1
16	Hinge, split (4)	297600
17	Screw, flat head (8)	295098
18	Nut, hex 10-24 (8)	X-70-2
19	Washer, plain (8)	X-25-7
20	Brace, corner (4)	298722
21	Screw, hex washer (16)	X-791-2
22	1/4-20 nut (16)	#
23	Clip, speed (60)	297596
24	Screw, hex washer (60)	X-791-3
25	Panel, side (8)	298349
26	Channel, top and bottom	298432
27	Panel, back (3)	298351
28	Plate, top	298448
29	Clip, speed (12)	297952
30	Screw, hex washer (12)	X-791-2

Item	Description	Part Number
31	Bracket, lifting (8)	298433
32	3/8-16 hardware (8)	#
33	Screw, hex washer (12)	X-791-2
34	1/4-20 nut	#
35	Bus, ground	298446
36	Screw, hex washer (8)	X-791-3
37	Washer, lock 1/4 (8)	X-22-11
38	1/4-20 nut	#
39	Channel, front and back	261836
40	Channel, vertical (2)	298444
41	Support	298442
42	Panel, spacer	298438
43	Screw, hex washer (3)	X-791-3
44	1/4-20 nut (2)	#
45	Support, channel (2)	298784
46	Screw,hex washer (12)	X-791-2
47	1/4-20 nut (8)	#
48	Bracket, mounting	298447
49	Channel,top & bottom (4)	298431
50	Channel, corner (4)	298425
51	Channel, center vertical	298427
52	Channel, side (2)	298426
53	Button, plug (24)	X-301-23
54	Channel, 3" side (3)	298437
55	Screw, hex washer (126)	X-791-2
56	1/4-20 nut (126)	#
57	Channel	298428

Enclosures

Automatic NEMA Type 1 3000-4000 Amp.

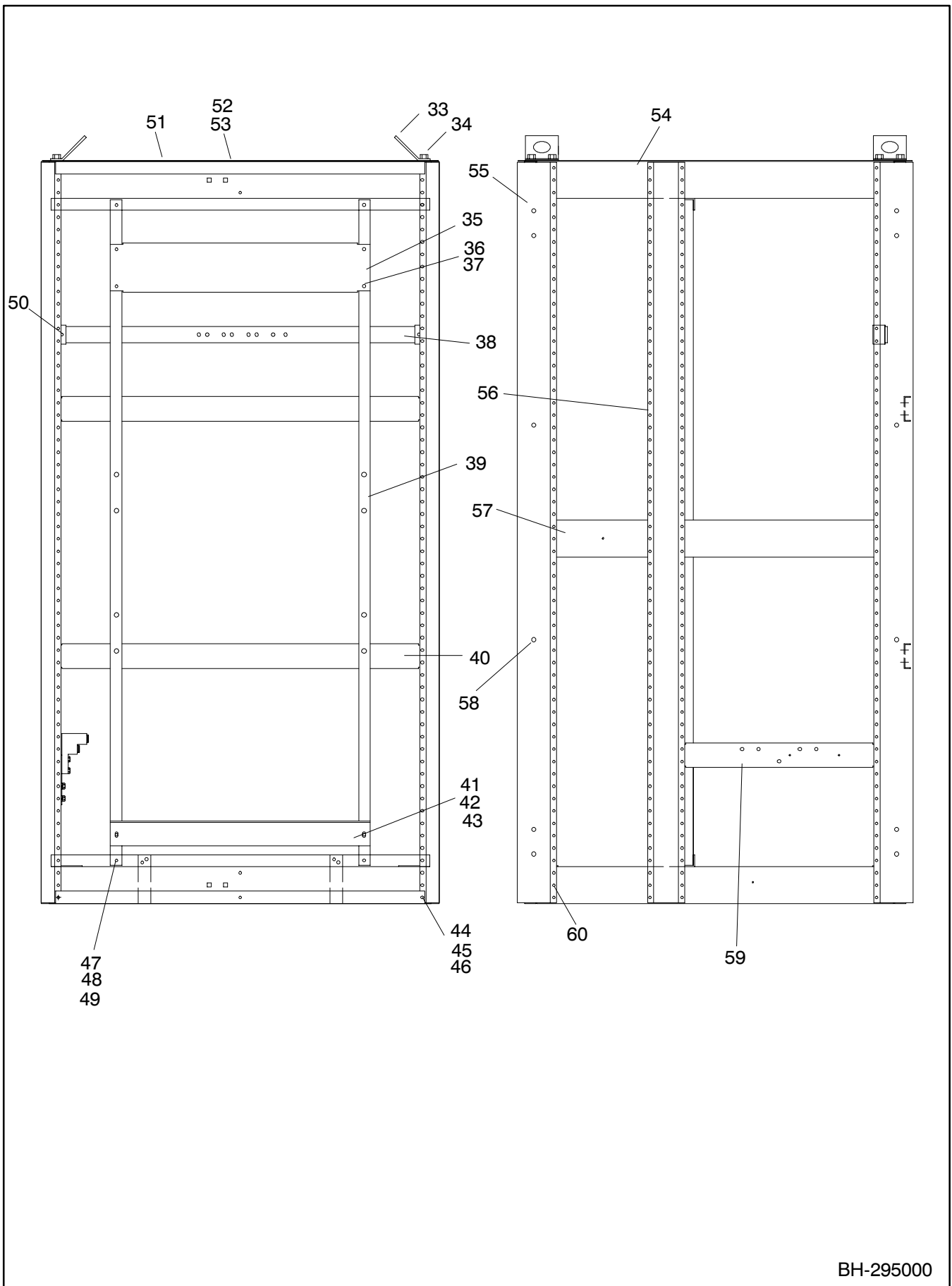


L-5533
BH-295000

Automatic NEMA Type 1 3000-4000 Amp.

Enclosures

Item	Description	Part Number	
		3000 Amp.	4000 Amp.
1	Latch, T-handle	X-6132-4	X-6132-4
2	Decal	294520	294520
3	Decal	294853	294853
4	Decal, notice	294414	294414
5	Decal, contactor	294602	294602
6	Decal, 1-800 number	224233	224233
7	Instruction tag	297949	297949
8	Decal, Power System	X-6246-4	X-6246-4
9	Decal, stripes	X-6232-1	X-6232-1
10	Decal, Transfer Switch	273746	273746
11	Channel, crossmember	297752	297746
12	Door, enclosure	294795	294795
13	Screw, hex washer (4)	X-791-3	X-791-3
14	Retainer (4)	295009	295009
15	Retainer, nut (4)	X-6204-1	X-6204-1
16	Hinge, split (4)	297600	297600
17	Screw, flat head (8)	295098	295098
18	Nut, hex 10-24 (8)	X-70-2	X-70-2
19	Washer, plain (8)	X-25-7	X-25-7
20	Brace, corner (4)	298722	298722
21	Screw, hex washer (16)	X-791-3	X-791-3
22	1/4-20 nut (16)	#	#
23	Door, left	294345	294345
24	Screw, flat head (16)	295098	295098
25	1/4-20 nut (16)	#	#
26	Hinge, split (4)	297601	297601
27	Panel, side (4)	261793	261793
28	Clip, speed (60)	297596	297596
29	Screw, hex washer (60)	X-791-3	X-791-3
30	Panel, side (4)	262593	262593
31	Channel, top & bottom (4)	297743	297743
32	Panel, back (3)	297737	297737



BH-295000

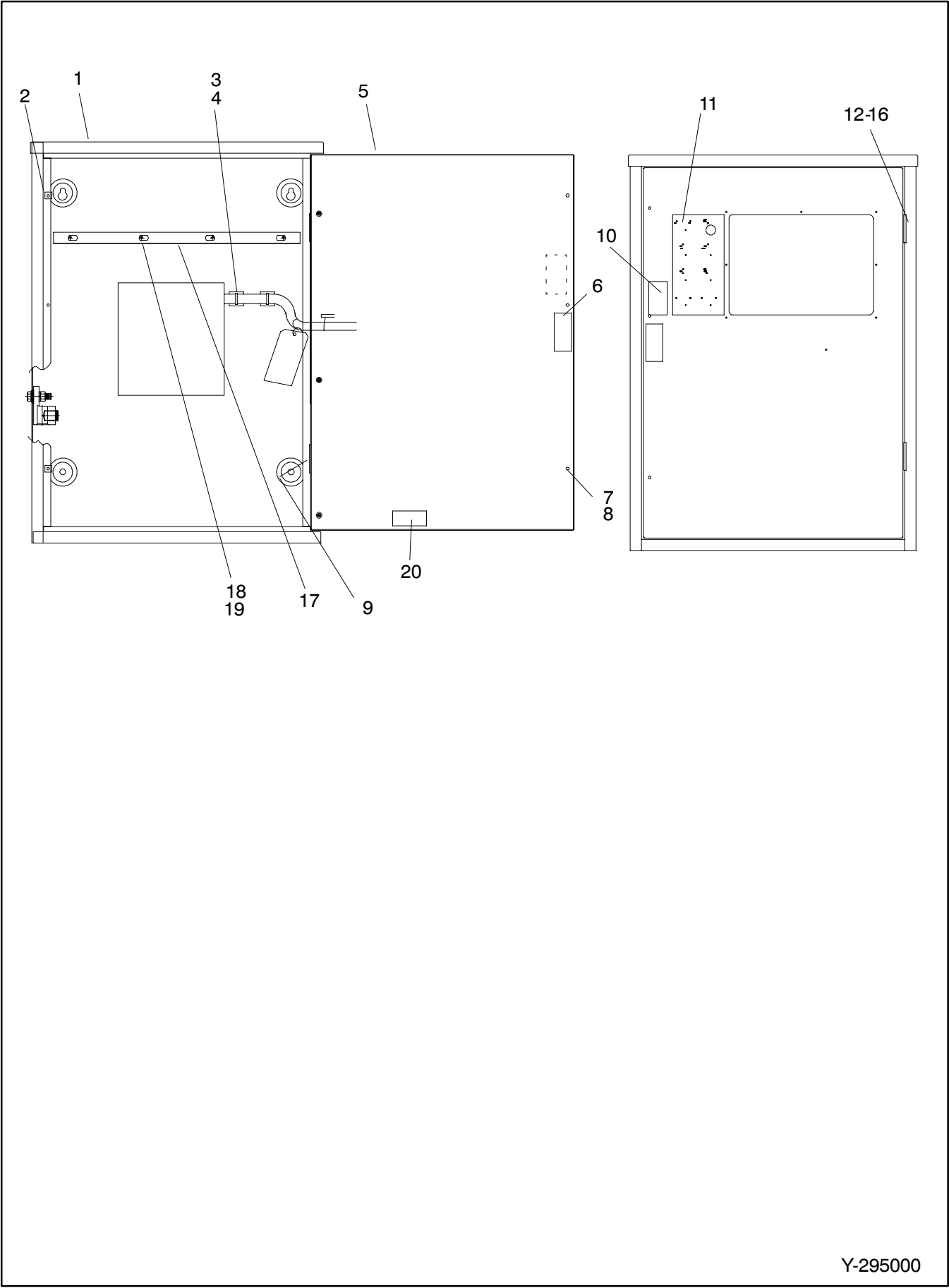
Automatic NEMA Type 1 3000-4000 Amp.

Enclosures

Item	Description	Part Number	
		3000 Amp.	4000 Amp.
33	Bracket, lifting (8)	298433	298433
34	3/8-16 hardware (8)	#	#
35	Channel	297739	297740
36	Screw, hex washer (24)	X-791-2	X-791-2
37	1/4-30 nut (24)	#	#
38	Bus, ground	297747	297747
39	Channel, vertical (2)	294413	294413
40	Channel, front & back (2)	297744	297744
41	Support, angle	297750	297751
42	Screw, hex washer (3)	X-791-3	X-791-3
43	1/4-20 nut (3)	#	#
44	Panel, spacer	297745	297745
45	Screw, hex washer (3)	X-791-3	X-791-3
46	1/4-20 nut (3)	#	#
47	Support, channel (2)	298784	298784
48	Screw, hex washer (8)	X-791-2	X-791-2
49	1/4-20 nut (8)	#	#
50	Bracket, mounting (2)	298447	298447
51	Plate, top	297738	297738
52	Clip, speed (12)	297952	297952
53	Screw, hex washer (12)	X-791-2	X-791-2
54	Channel, top & bottom (4)	298431	298431
55	Channel, corner (4)	298425	298425
56	Channel, center vert. (2)	298427	298427
57	Channel, side (2)	297753	297753
58	Button, plug (24)	X-301-23	X-301-23
59	Channel, side	297749	297749
60	Screw, hex washer (126)	X-791-2	X-791-2

Enclosures

Automatic NEMA Type 1, CSA 30-800 Amp.



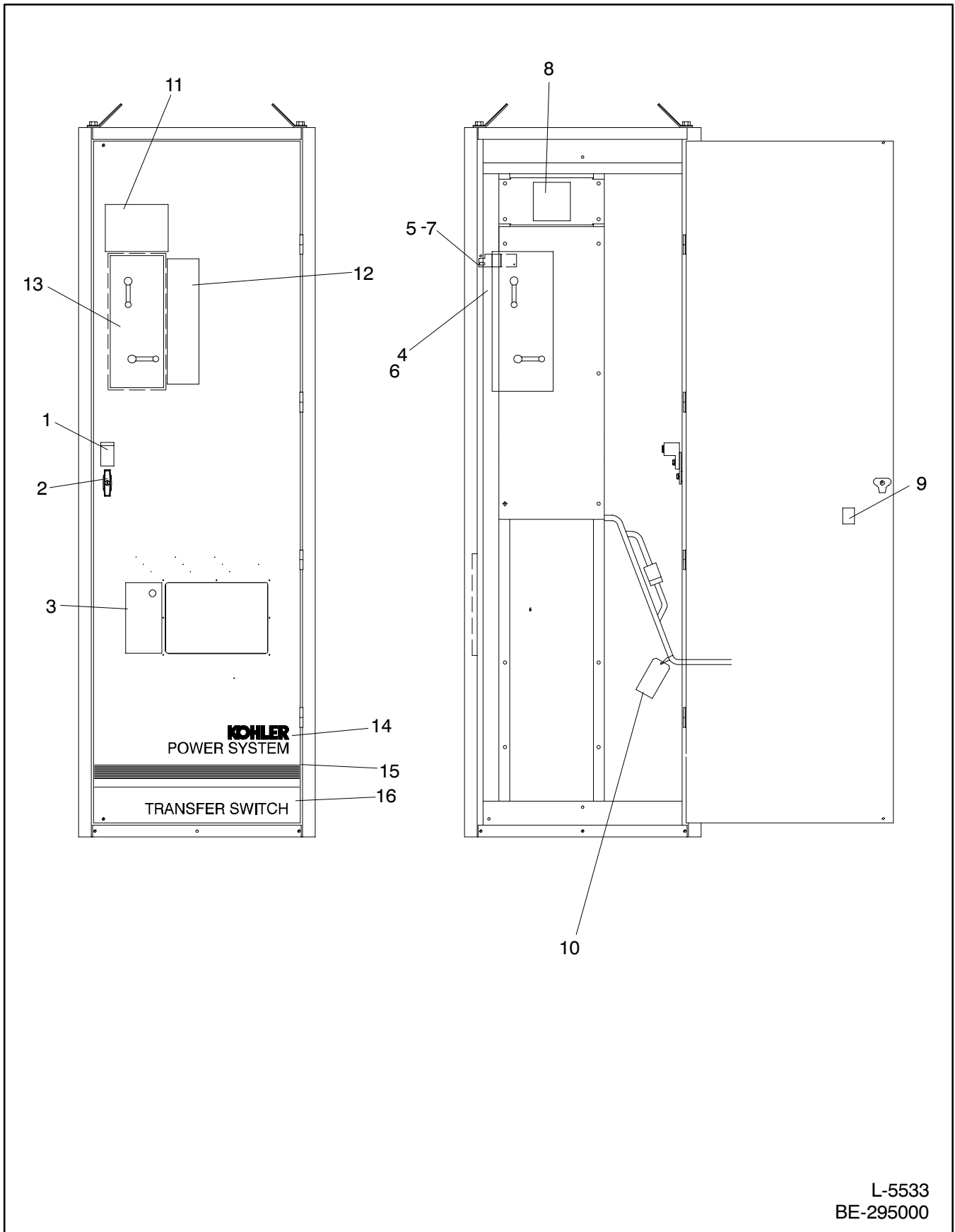
Y-295000

Automatic NEMA Type 1, CSA 30-800 Amp. Enclosures

Item	Description	Part Number			
		30-150 Amp.	225 Amp.	400 Amp.	600-800 Amp.
1	Enclosure, transfer panel	294306	294306	294306	294306
2	Clip, speed (2)	257442	257422	257442	257442
3	Base, tie wrap (2)	298776	298776	298776	298776
4	Tie, cable (2)	X-468-1	X-468-1	X-468-1	X-468-1
5	Door, enclosure	294790	294791	294791	294792
6	Latch, locking	295004	295004	295004	295004
7	Screw, H.C. (2)	X-117-4	X-117-4	X-468-2	X-468-2
8	Retainer (2)	295010	295010	295010	295010
9	Envelop, instruction	298777	298777	298777	298777
10	Decal	294520	294520	294520	294520
11	Decal	294853	294853	294853	294853
12	Washer, plain m(4)	X-25-7	X-25-7	X-25-7	X-25-7
13	Nut, hex 10-24 (4)	X-70-2	X-70-2	X-70-2	X-70-2
14	#10-24 Nut (Encl. side)	#	#	#	#
15	Screw, flat head (8)	295098	295098	295098	295098
16	Hinge, split (2)	297600	297600	297600	297600
17	Stiffener	297870	297870	297870	not required
18	Washer, lock (4)	X-22-9	X-22-9	X-22-9	not required
19	Screw, R.H.M. 10-24 (4)	X-50-13	X-50-13	X-50-13	not required
20	Decal, CSA	297721	297721	297721	297721

Enclosures

Bypass-Isolation NEMA Type 1 150-400 Amp.



L-5533
BE-295000

Bypass-Isolation NEMA Type 1 150-400 Amp.

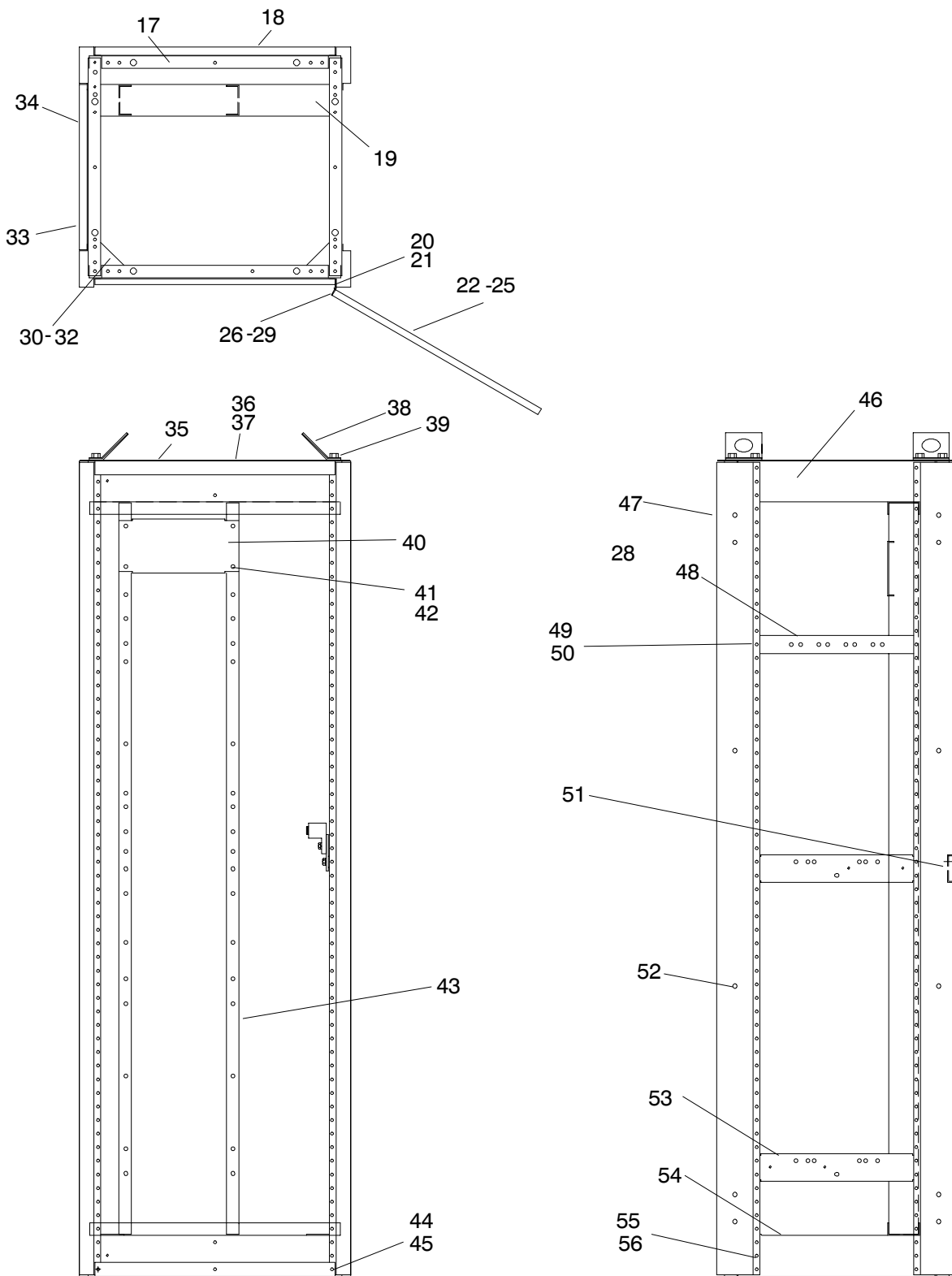
Enclosures

Item	Description	Part Number
1	Decal	294520
2	Latch, T-handle	X-6132-4
3	Decal	294853
4	Bracket	294348
5	Screw, hex washer	X-791-2
6	Washer	X-20-1
7	Nut	X-81-1
8	Decal, notice	294414
9	Decal, 1-800 number	224233
10	Tag, instruction	297949
11	Decal, instructions	294166
12	Decal, sequence	294167
13	Decal, bypass/isolation	294165
14	Decal, Power System	X-6246-4
15	Decal, stripes	X-6232-2
16	Decal, Transfer Switch	273746
17	Channel (4)	298942
18	Panel, back (2)	262719
19	Channel (2)	298948
20	Screw, flat head (8)	295098
21	#10-24 nut (8)	#
22	Door, enclosure	294796
23	Screw, hex washer (2)	X-791-3
24	1/4 washer (2)	#
25	Retainer, nut (2)	X-6204-1
26	Hinge, split	297600
27	Screw, flat head (8)	295098
28	Nut, hex 10-24 (8)	X-70-2
29	Washer, plain (8)	X-25-7
30	Brace, corner (2)	298722
31	Screw, hex washer (8)	X-791-2

Item	Description	Part Number
32	1/4-20 nut	#
33	Panel, side (4)	298349
34	Clip, speed (36)	297596
35	Plate, top	298946
36	Clip, speed (8)	297952
37	Screw, hex washer (8)	X-791-2
38	Bracket, lifting (2)	298433
39	3/8-16 hardware (8)	#
40	Channel	298897
41	Screw, hex washer (20)	X-791-2
42	1/4-20 nut	#
43	Channel, vertical (2)	298451
44	Screw, hex washer (5)	X-791-3
45	1/4-20 nut (2)	#
46	Channel, top & bottom (2)	298429
47	Channel, corner (4)	298425
48	Bus, ground	298424
49	Screw, hex washer (2)	X-791-2
50	1/4-20 nut	#
51	Channel, front & back	262722
52	Button, plug (24)	X-301-23
53	Channel, 3" side (3)	298437
54	Channel, top & bottom (2)	298429
55	Screw, hex washer (90)	X-791-2
56	1/4-20 nut	#

Enclosures

Bypass-Isolation NEMA Type 1 150-400 Amp.



BE-295000

Bypass-Isolation NEMA Type 1 150-400 Amp.

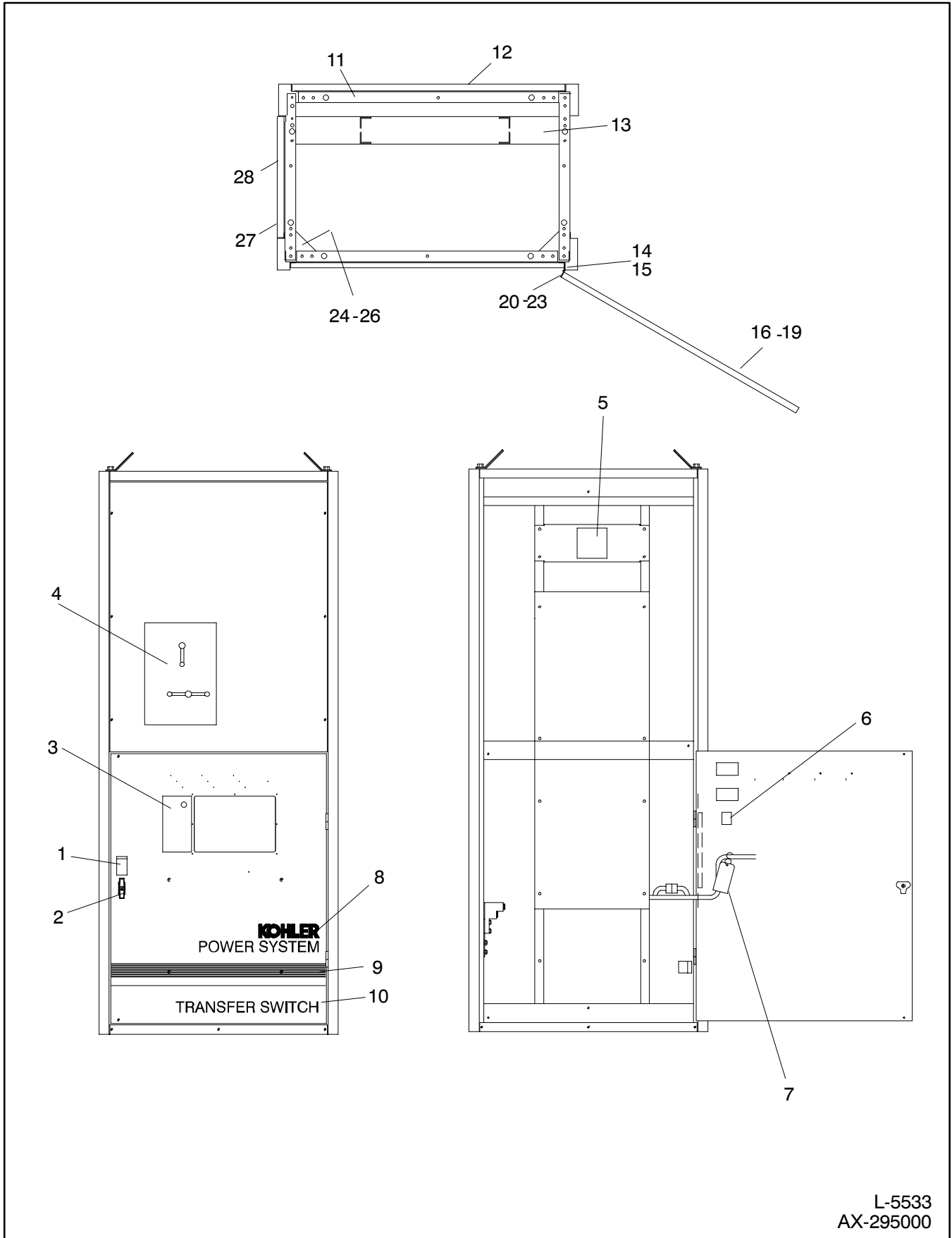
Enclosures

Item	Description	Part Number
1	Decal	294520
2	Latch, T-handle	X-6132-4
3	Decal	294853
4	Bracket	294348
5	Screw, hex washer	X-791-2
6	Washer	X-20-1
7	Nut	X-81-1
8	Decal, notice	294414
9	Decal, 1-800 number	224233
10	Tag, instruction	297949
11	Decal, instructions	294166
12	Decal, sequence	294167
13	Decal, bypass/isolation	294165
14	Decal, Power System	X-6246-4
15	Decal, stripes	X-6232-2
16	Decal, Transfer Switch	273746
17	Channel (4)	298942
18	Panel, back (2)	262719
19	Channel (2)	298948
20	Screw, flat head (8)	295098
21	#10-24 nut (8)	#
22	Door, enclosure	294796
23	Screw, hex washer (2)	X-791-3
24	1/4 washer (2)	#
25	Retainer, nut (2)	X-6204-1
26	Hinge, split	297600
27	Screw, flat head (8)	295098
28	Nut, hex 10-24 (8)	X-70-2
29	Washer, plain (8)	X-25-7
30	Brace, corner (2)	298722
31	Screw, hex washer (8)	X-791-2

Item	Description	Part Number
32	1/4-20 nut	#
33	Panel, side (4)	298349
34	Clip, speed (36)	297596
35	Plate, top	298946
36	Clip, speed (8)	297952
37	Screw, hex washer (8)	X-791-2
38	Bracket, lifting (2)	298433
39	3/8-16 hardware (8)	#
40	Channel	298897
41	Screw, hex washer (20)	X-791-2
42	1/4-20 nut	#
43	Channel, vertical (2)	298451
44	Screw, hex washer (5)	X-791-3
45	1/4-20 nut (2)	#
46	Channel, top & bottom (2)	298429
47	Channel, corner (4)	298425
48	Bus, ground	298424
49	Screw, hex washer (2)	X-791-2
50	1/4-20 nut	#
51	Channel, front & back	262722
52	Button, plug (24)	X-301-23
53	Channel, 3" side (3)	298437
54	Channel, top & bottom (2)	298429
55	Screw, hex washer (90)	X-791-2
56	1/4-20 nut	#

Enclosures

Bypass-Isolation NEMA Type 1 600-800 Amp.



L-5533
AX-295000

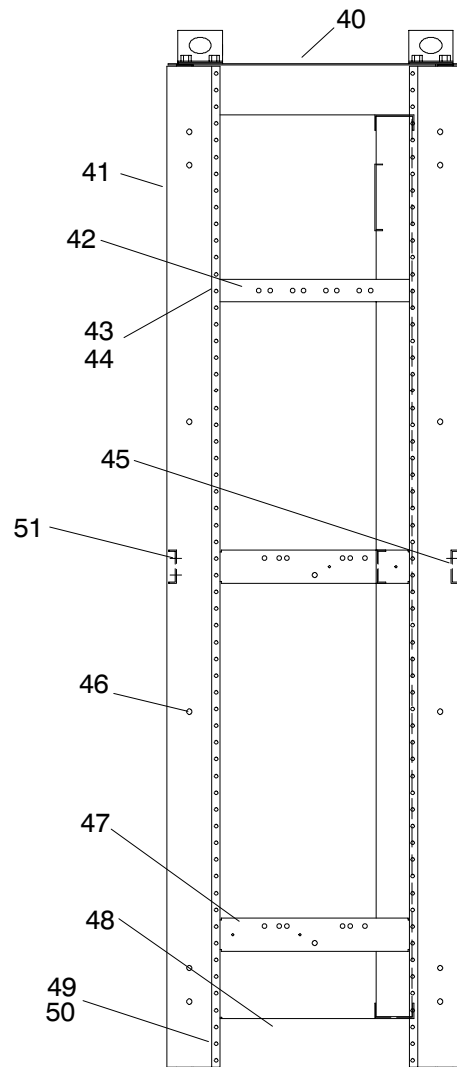
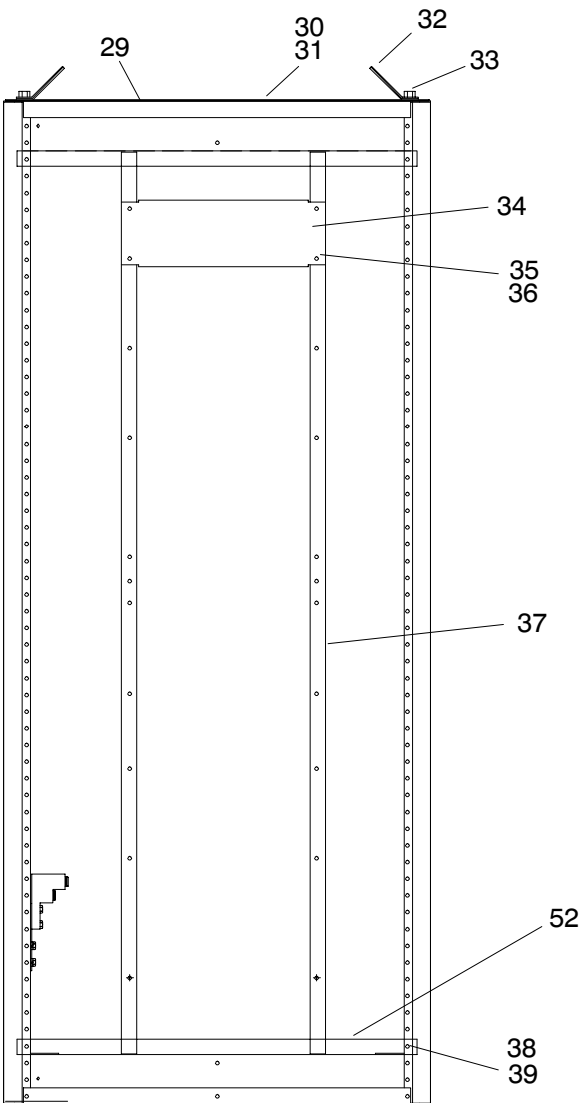
Bypass-Isolation NEMA Type 1 600-800 Amp.

Enclosures

Item	Description	Part Number	
		2 or 3 poles	4 pole
1	Decal	294520	294520
2	Latch, T-handle	X-6132-4	X-6132-4
3	Decal	294853	294853
4	Decal	297875	297875
5	Decal, notice	294414	294414
6	Decal, 1-800 number	224233	224233
7	Tag, instruction	297949	297949
8	Decal, Power System	X-6246-4	X-6246-4
9	Decal, stripes	X-6232-2	X-6232-2
10	Decal, Transfer Switch	273746	273746
11	Channel, top & bottom (4)	298432	298432
12	Panel, back (3)	298351	298351
13	Channel, crossmember (2)	298453	298453
14	Screw, flat head (4)	295098	295098
15	#10-24 nut (4)	#	#
16	Door, enclosure	294797	294797
17	Screw, hex washer (3)	X-791-3	X-791-3
18	1/4 washer (2)	#	#
19	Retainer, nut (2)	X-6204-1	X-6204-1
20	Hinge, split (2)	297600	297600
21	Screw, flat head (4)	295098	295098
22	Nut, hex 10-24 (4)	X-70-2	X-70-2
23	Washer, plain (4)	X-25-7	X-25-7
24	Brace, corner (2)	298722	298722
25	Screw, hex washer (8)	X-791-2	X-791-2
26	1/4-20 nut	#	#
27	Panel, side (4)	298349	298349
28	Clip, speed (36)	297596	297596

Enclosures

Bypass-Isolation NEMA Type 1 600-800 Amp.



AX-295000

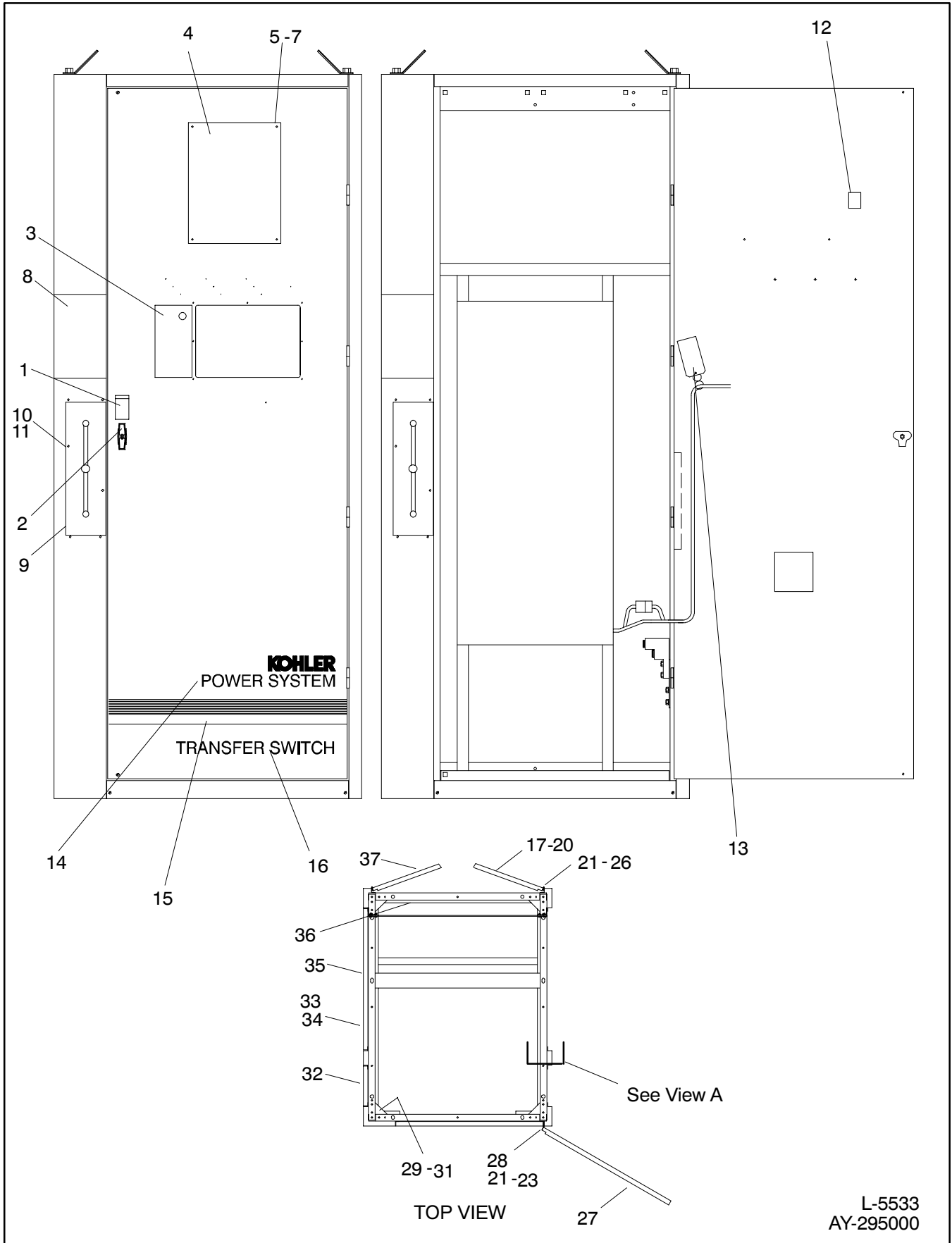
Bypass-Isolation NEMA Type 1 600-800 Amp.

Enclosures

Item	Description	Part Number	
		2 or 3 pole	4 pole
29	Plate, top	298496	298496
30	Clip, speed (8)	297952	297952
31	Screw, hex washer (8)	X-791-2	X-791-2
32	Bracket, lifting (2)	298433	298433
33	3/8-16 hardware (8)	#	#
34	Channel	298459	298460
35	Screw, hex washer (20)	X-791-2	X-791-2
36	1/4-20 nut	#	#
37	Channel, vertical (2)	298451	298451
38	Screw, hex washer (9)	X-791-3	X-791-3
39	1/4-20 nut	#	#
40	Channel, top & bottom (2)	298429	298426
41	Channel, corner (4)	298425	298425
42	Bus, ground	298424	298424
43	Screw, hex washer (2)	X-791-2	X-791-2
44	1/4-20 nut	#	#
45	Channel, front & back (2)	261836	261836
46	Button, plug (24)	X-301-23	X-301-23
47	Channel, 3" side (3)	298437	298437
48	Channel, top & bottom (2)	298429	298429
49	Screw, hex washer (90)	X-791-2	X-791-2
50	1/4-20 nut	#	#
51	Channel, front	298456	298456
52	Panel, spacer	297745	297745

Enclosures

Bypass-Isolation NEMA Type 1 1000-1200 Amp.

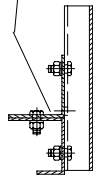


Bypass-Isolation NEMA Type 1 1000-1200 Amp.

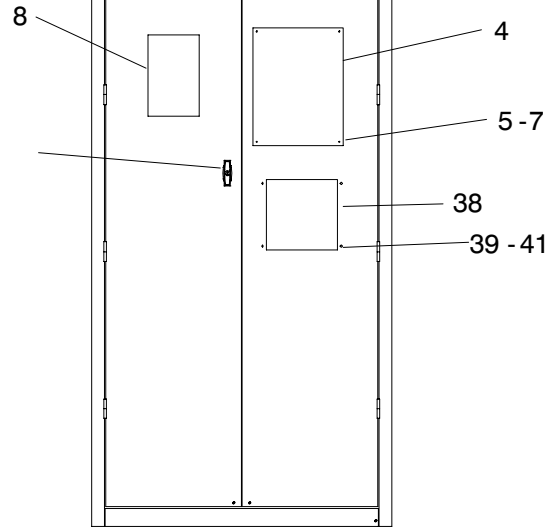
Enclosures

Item	Description	Part Number
1	Decal	294520
2	Latch, T-handle	X-6132-4
3	Decal	294853
4	Nameplate, status	297518
5	Screw, 10-24 x 5/8 (4)	X-50-8
6	Nut, hex 10-24 (4)	#
7	Washer, #10 split lock (4)	#
8	Nameplate, instructions	297715
9	Nameplate, isolation	297517
10	Screw, hex cap (6)	#
11	Nut, 1/4-20 (6)	#
12	Decal, 1-800 number	224233
13	Instruction tag	297949
14	Decal, Power System	X-6246-4
15	Decal, stripes	X-6232-2
16	Decal, Transfer Switch	273746
17	Door, left back	298764
18	Screw, hex washer (2)	X-791-3
19	1/4 washer (2)	#
20	Retainer,nut (2)	X-6204-1
21	Washer, plain (8)	X-25-7
22	Nut, hex 10-24 (8)	X-70-2
23	Screw, flat head (8)	295098
24	Hinge, split (4)	297601
25	Screw, flat head (8)	295098
26	1/4-20 nut (8)	#
27	Door, enclosure	294798
28	Hinge, split (4)	297600
29	Brace, corner (4)	298722
30	Screw, hex washer (16)	X-791-2
31	1/4-20 nut (16)	#
32	Panel, side (4)	262460
33	Screw, hex washer (48)	X-791-3
34	Clip, speed (48)	297596
35	Panel, side (4)	298766
36	Channel, top & bottom (2)	298432
37	Door, right back	298765

63 -65



VIEW A



BACK VIEW

59 -61

42

43

44

51

45 -47

52

53

54

55

56

48

49

57

58

62

66 -68

69

70

71

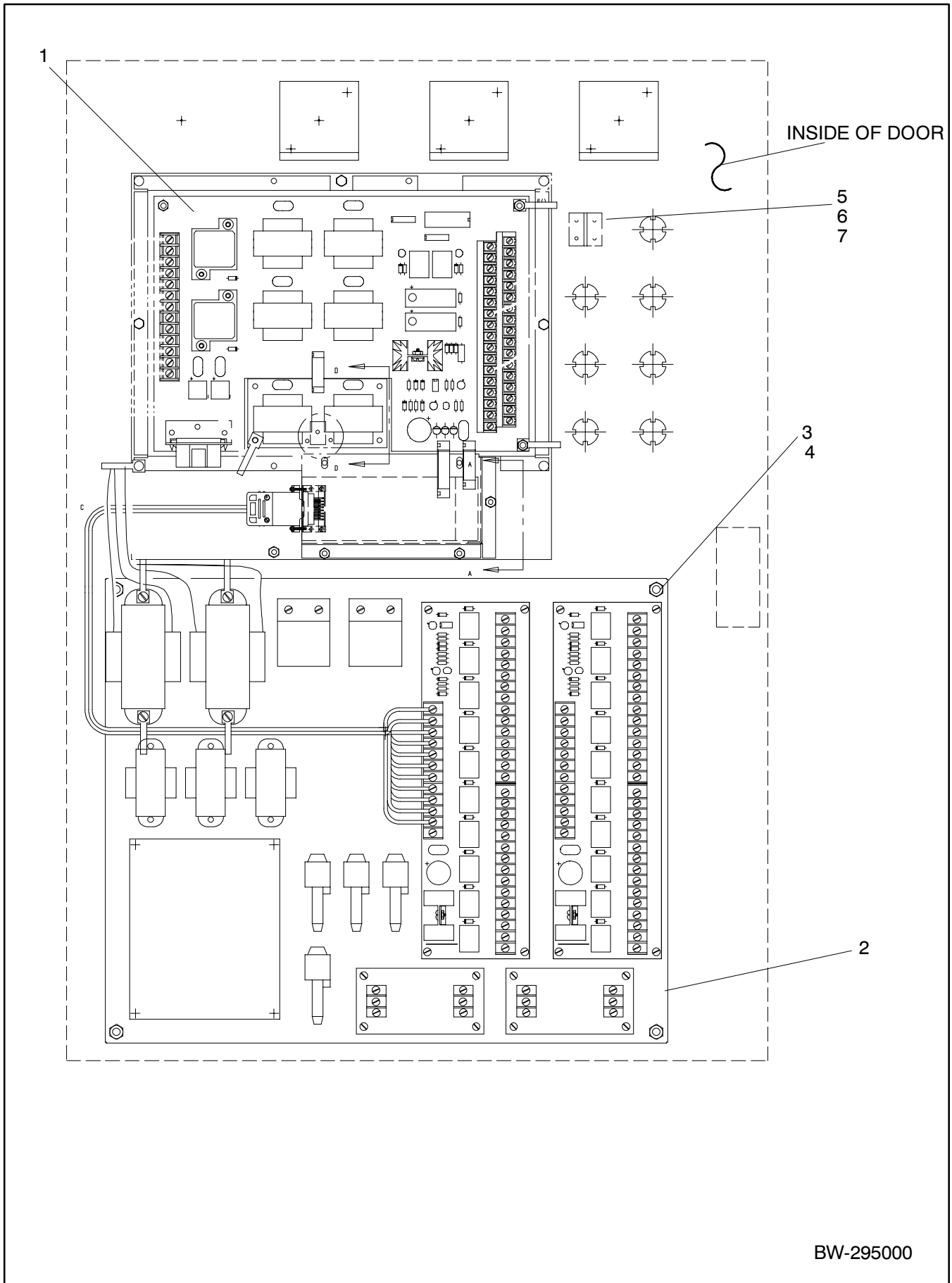
AY-295000

Bypass-Isolation NEMA Type 1 1000-1200 Amp.

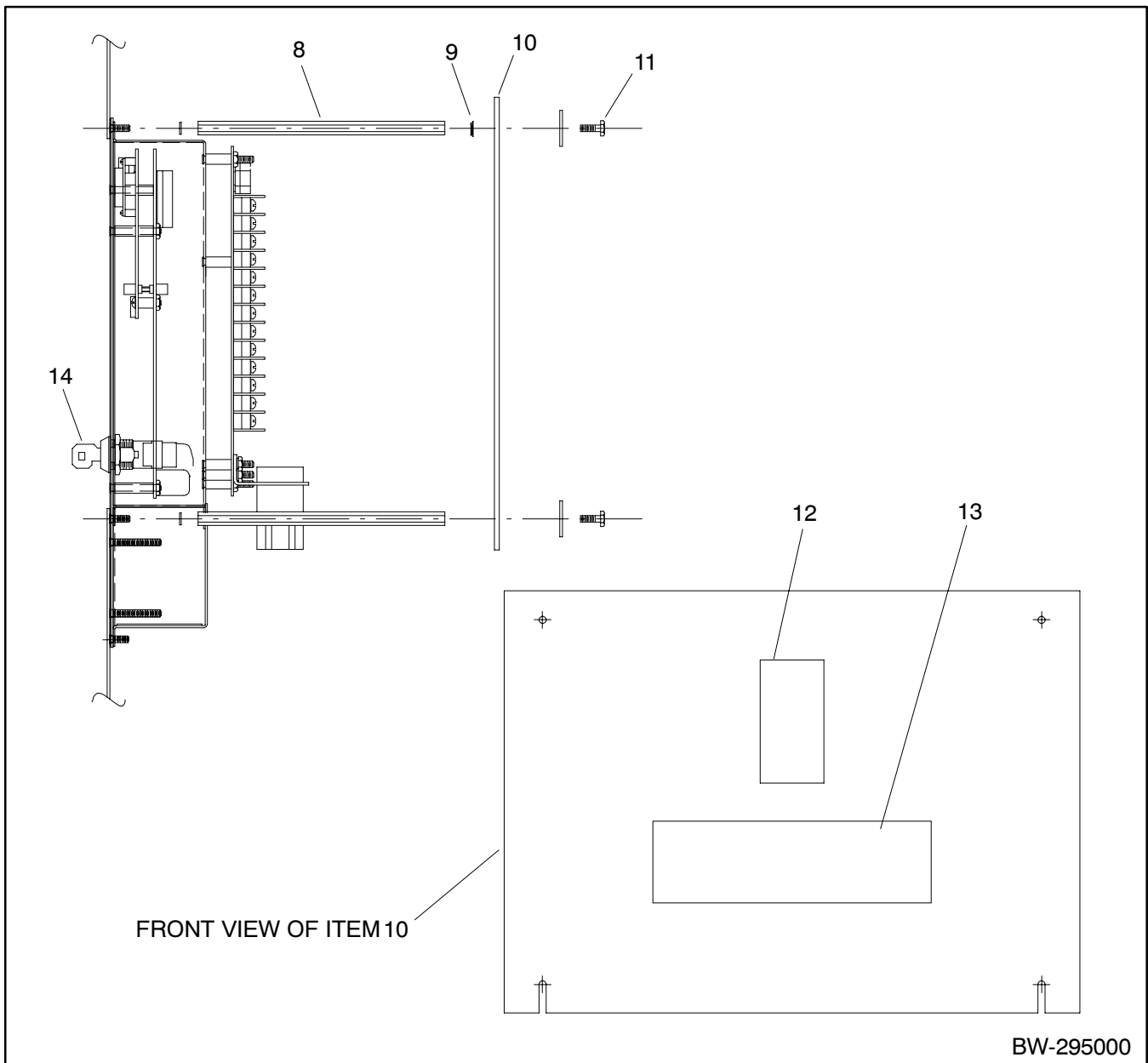
Enclosures

Item	Description	Part Number
38	Nameplate, bypass	297716
39	Screw, 10-24 x 5/8 (4)	#
40	Washer, 1/4 split lock (4)	#
41	Nut, 1/4-20	#
42	Bracket, lifting (8)	298433
43	3/8-16 hardware (8)	#
44	Bus, ground	298446
45	Screw, hex washer (8)	X-791-2
46	1/4-20 nut	#
47	Bracket, mounting (2)	298447
48	Panel, spacer	298732
49	1/4-20 nut	#
50	Channel, top-side (2)	298733
51	Bracket, mounting (2)	298767
52	Button, plug (24)	X-301-23
53	Channel, side (2)	298783
54	Channel, corner (3)	298425
55	Channel, center vert. (2)	298427
56	Channel, side	298783
57	Screw, hex washer (92)	X-791-2
58	1/4-20 nut	#
59	Plate, top	298755
60	Screw, hex washer (12)	X-791-2
61	Clip, speed (12)	297952
62	Channel, corner	298731
63	1/4-20 nut	#
64	Screw, hex washer (20)	X-791-2
65	Support, angle (2)	298785
66	Panel, spacer	298438
67	Screw,hex washer (3)	X-791-3
68	1/4-20 nut	#
69	Brace, top	298808
70	Brace, bottom	298809
71	Panel, spacer	298782

Inner Door Panel



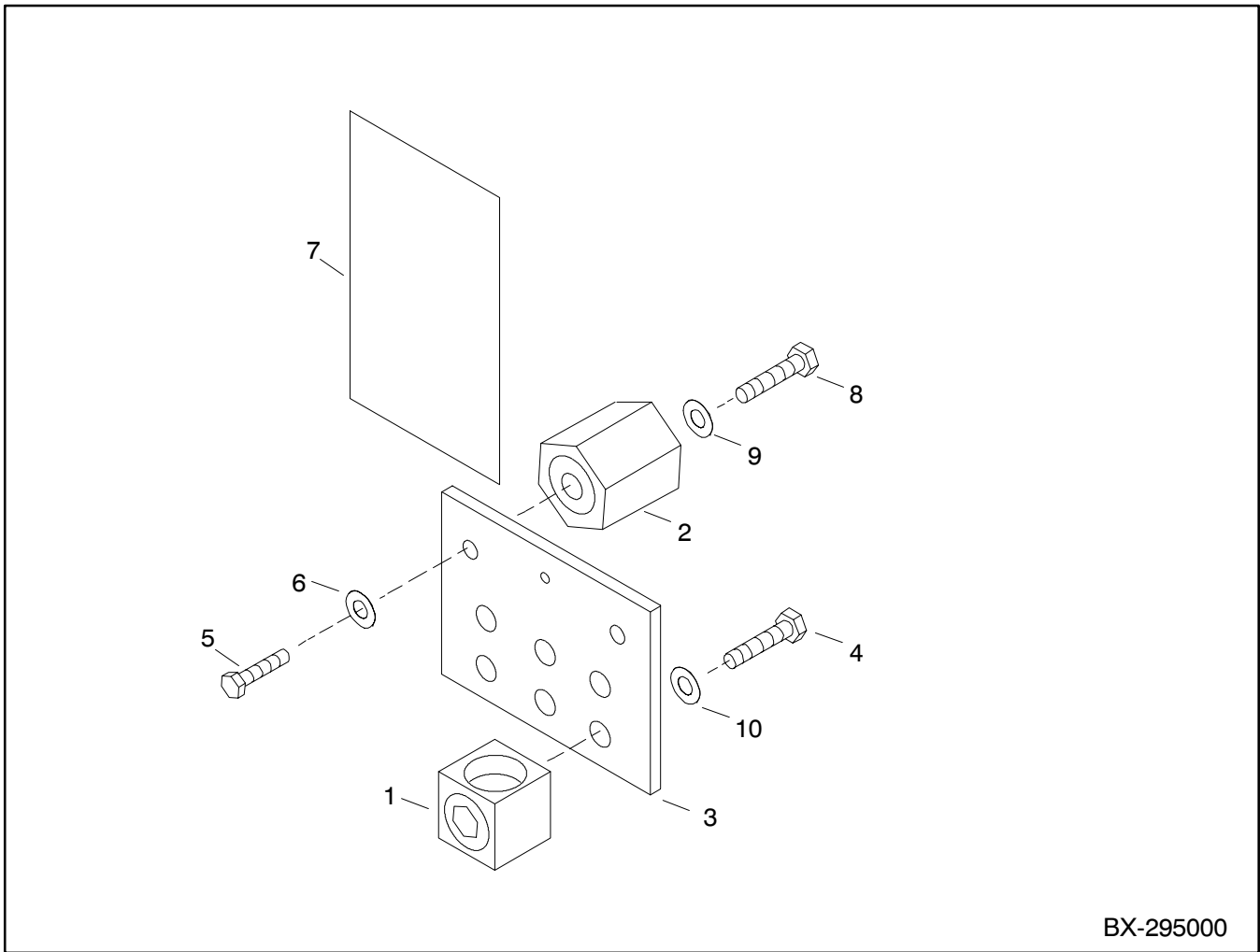
Inner Door Panel



Item	Description	Part Number
1	Micro-controller assembly	B-294548
2	Pannel, inner	294741
3	Nut, 1/4-20 (4)	X-76-2
4	Spacer (4)	265861
5	Block, contact	294651
6	Switch, pushbutton	294653
7	Contact Assembly	298049
8	Spacer, micro (4)	294760

Item	Description	Part Number
9	Retainer (2)	294759
10	Guard	294860
11	Screw, 8-32 x 1/2 (4)	X-51-15
12	Decal, hazardous voltage	294328
13	Decal, "This transfer..."	294523
14	Key, replacement (6792)	296292
	Key, replacement (6375)	296293
	Key, replacement (PL976)	296294
	Key, replacement (XX6286)	296295

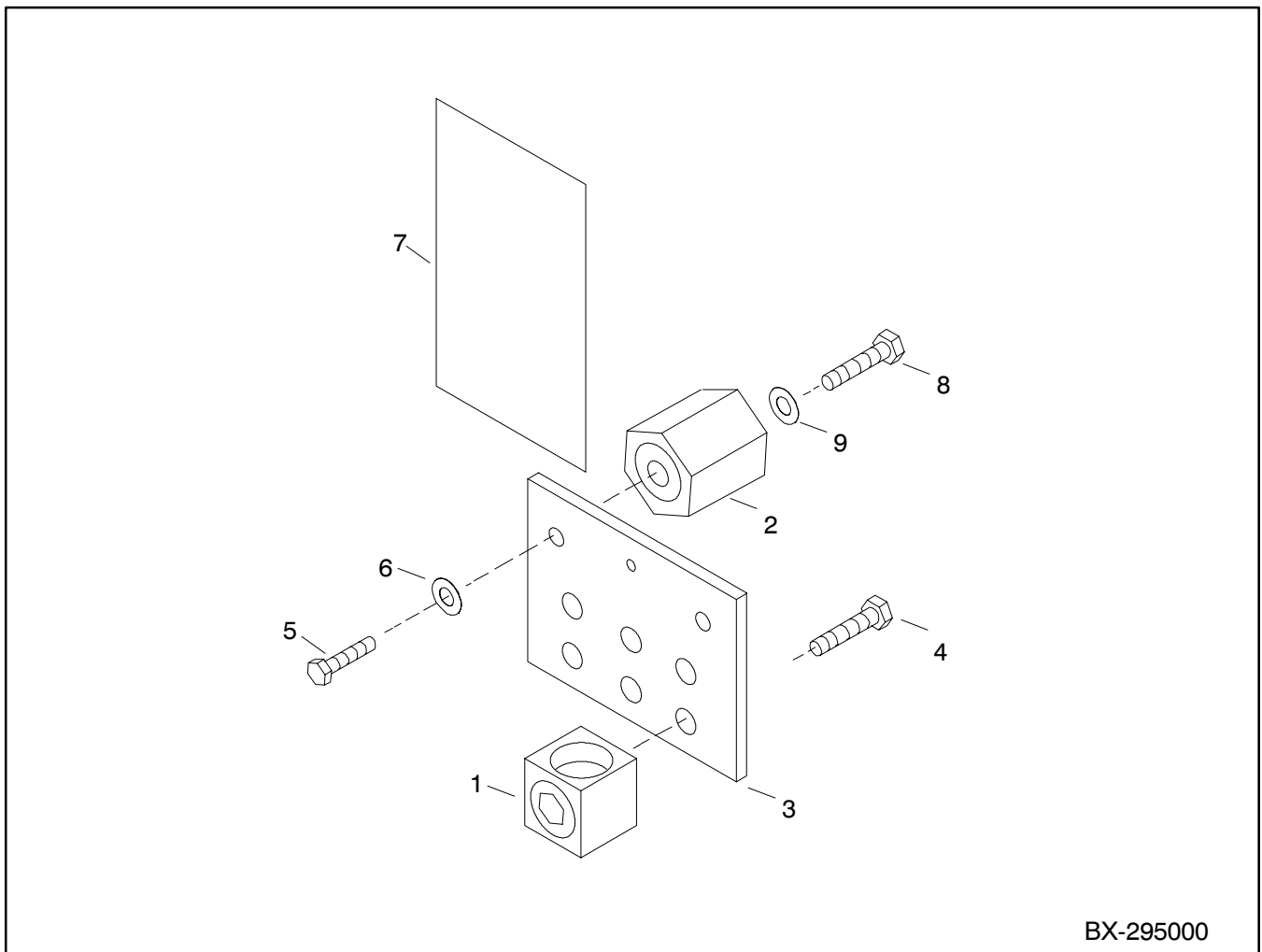
Neutral Lug



BX-295000

Item	Description	Part Number				
		30-104 Amp.	150 Amp.	225/260 Amp.	400 Amp.	600/800 Amp.
1	Lug, terminal	295303 (3)	297712 (3)	X-6207-5 (3)	X-6207-9 (3)	295296 (3)
2	Insulator, panel	233269 (2)	233269 (2)	233568 (2)	233568 (2)	233568 (3)
3	Bracket, mounting	295304	297713	294362	294359	295298
4	Screw, H.C.	X-97-11 (3)	X-465- 6 (3)	3/8-16 (3)	3/8-16 (3)	3/8-16 (6)
5	Screw, H.C.	X-465-6 (2)	X-465-6 (2)	X-6238-10 (2)	X-6238-10 (2)	X-6238-10 (3)
6	Washer	1/4 (2)	1/4 (2)	3/8 (2)	3/8 (2)	3/8 (3)
7	Decal	297556	297556	297556	297556	297556
8	Screw, H.C.	X-465-6 (2)	X-465-6 (2)	X-6238-2 (2)	X-6238-2 (2)	X-6238-2 (3)
9	Washer	1/4 (2)	1/4 (2)	3/8 (2)	3/8 (2)	3/8 (3)
10	Washer, lock (3)	X-22-9	X-22-11	-	-	-

Neutral Lug

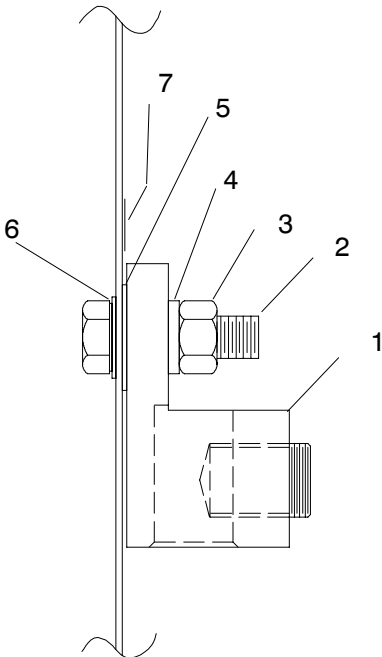


BX-295000

Item	Description	Part Number			
		1000/1200 Amp.	1600 Amp.	2000 Amp.	2500-4000 Amp.
1	Lug, terminal	297582 (3)	297605 (3)	297582 (3)	297582 (3)
2	Insulator, panel	233568 (3)	233568 (3)	233568 (3)	233568 (3)
3	Bracket, mounting	295298	297604	297604	297604
4	Screw, H.C.	3/8-16 (6)	3/8-16 (6)	3/8-16(12)	3/8-16(12)
5	Screw, H.C.	X-6238-10 (3)	X-6238-10 (3)	X-6238-10 (3)	X-6238-10 (3)
6	Washer	3/8 (3)	3/8 (3)	3/8 (3)	3/8 (3)
7	Decal	297597	233568	297597	-
8	Screw, H.C.	X-6238-2 (3)	X-6238-2 (3)	X-6238-2 (3)	X-6238-2 (3)
9	Washer	3/8 (3)	3/8 (3)	3/8 (3)	3/8 (3)

Neutral Lug

30-800 Amp, CSA

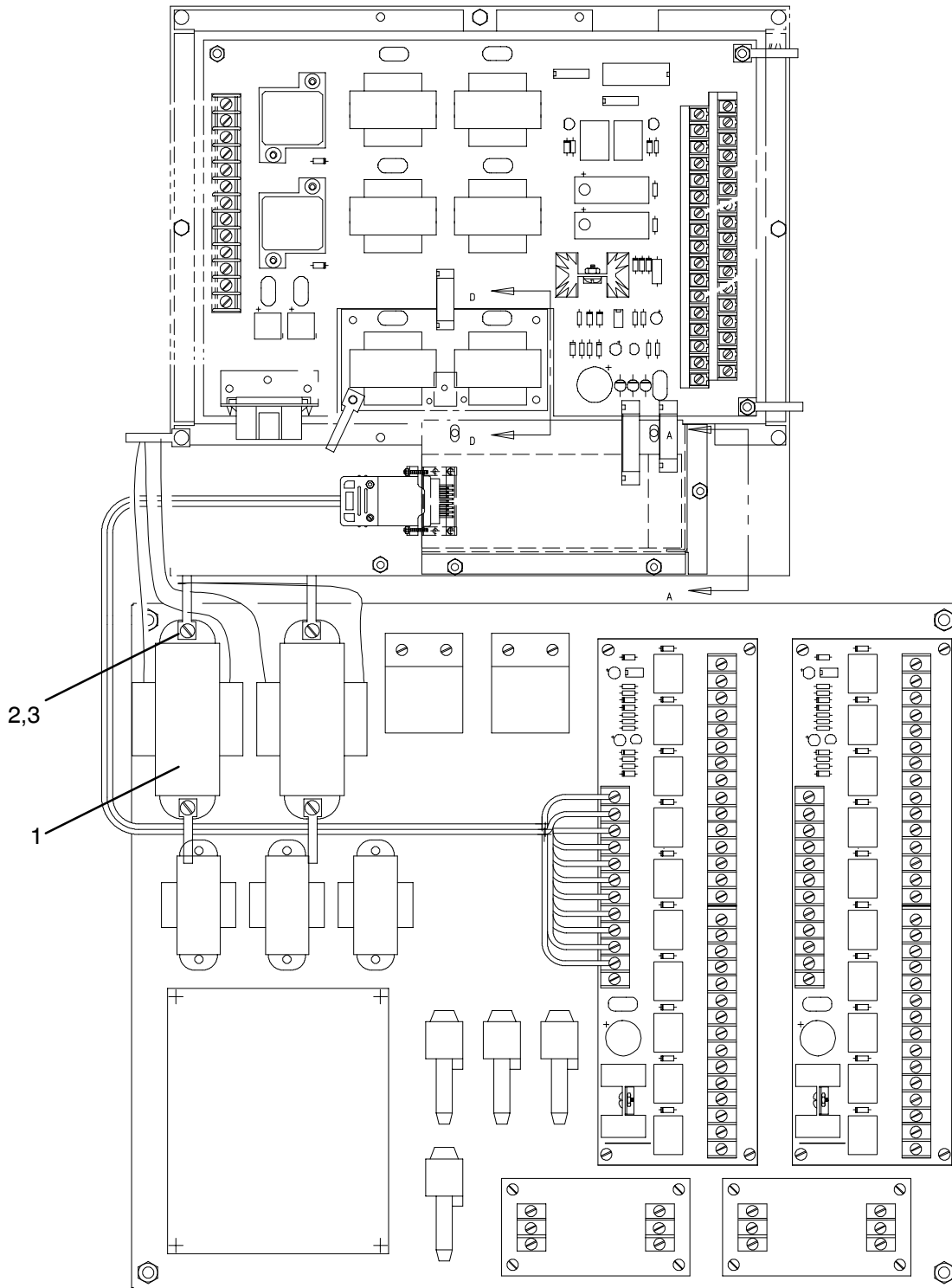


Y-295000

Item	Description	Part Number			
		30-150 Amp.	225 Amp.	400 Amp.	600-800 Amp.
1	Lug, terminal	294533	295295	295067	295296
2	Screw, H.C.	X-6238-4	X-129-20	X-129-20	X-6238-5 (2)
3	Nut, hex	X-83-2	X-89-17	X-87-17	X-83-2 (2)
4	Washer, lock	X-22-1	X-24-6	X-24-6	X-22-1 (2)
5	Washer, lock	X-22-14	X-22-26	X-22-26	X-22-14 (2)
6	Washer, plain	X-25-82	X-25-59	X-25-59	X-25-82 (2)
7	Decal, ground	238575	238575	238575	238575

This Page Intentionally Left Blank

Transformer



View of Inner Door Panel

BW-295000

Transformer

Voltage	Item 1 Transformer (2)	Item 2 Screw, R.H.M 8-32 x 1/2 (4)	Item 3 Nut, Captive (4)
110	294644	X-51-15	298811
120	294593	X-51-15	298811
190	294645	X-51-15	298811
208	294594	X-51-15	298811
220	294646	X-51-15	298811
240	294595	X-51-15	298811
380	294596	X-51-15	298811
416	294597	X-51-15	298811
480	294598	X-51-15	298811
600	294599	X-51-15	298811

Accessory	Page
Time Delays	43
Source Monitors	43
Test Switches	43
Time Delay Override Switches	43
Inhibit Switches	44
Auxiliary Contacts—Relay	45
Auxiliary Contacts—Main Shaft	46
Meters	48
Plant Exercisers	67
Battery Chargers	67
Manual Switch Operation	67
Audible Alarms	69
Source Monitors—Normal & Emergency	73
Load-Shedding Contacts	73
Enclosure Options—Space Heaters	73
Remote Connections	76
Extender Harnesses	77

Time Delays

KD-Accessory	Kit Number	Description	Part Number
100-B	PA-294869	Extended Time Delay Shunt, Programming	294634

Source Monitors

KD-Accessory	Kit Number	Description	Part Number
5-K	PA-320217	Emergency Source Sensing Circuit Board Assy., ATS 3 phase Spacer (4) Cable Assembly, Ribbon	C-294493 X-712-8 294638

Test Switches

KD-Accessory	Kit Number	Description	Part Number
6-D		Test Switch, maintained Switch, 2-Position Decal, Auto/Test	294654 294689
6-F	PA-320219	Test Switch, momentary—keyed Switch, 2-Position Decal, Auto/Test	294656 294689
6-H		Test Switch, maintained—keyed Switch, 2-Position Decal, Auto/Test	294655 294689
6-N	PA-320220	Switch, 3-position momentary Decal Switch, 3-Position	294685 294691
6-P	PA-320221	Switch, 3-position momentary—keyed Decal Switch, 3-Position	294685 294692
6-R		Switch, 3-position maintained Decal Switch, 3-Position	294685 294693
6-T		Switch, 3-position maintained—keyed Decal Switch, 3-Position	294685 294694
7-D		Test Switch, 4-Position Decal, A.T.S. Switch, 4-Position	294686 294695
7-F		Test Switch, 4-Position—keyed Decal, A.T.S. Switch, 4-Position	294686 294696

Time Delay Override Switches

KD-Accessory	Kit Number	Description	Part Number
8-C	PA-320222	Switch, Emergency To Normal Switch, Pushbutton Contact Assembly	294653 298049
8-D	PA-320223	Switch, Normal To Emergency Switch, Pushbutton Contact Assembly	294653 298049

Inhibit Switches

KD-Accessory	Kit Number	Description	Part Number
9-G		Inhibit Switch	
		Block, Contact (2)	294652
		Switch, 2-Position Contact Assembly	294654 298049
9-J		Inhibit Switch Keyed	
		Block, Contact (2)	294652
		Switch, 2-Position Contact Assembly	294655 298049

Auxiliary Contacts—Relay

KD-Accessory	Kit Number	Description	Part Number
14-G	PA-320224	10 Relay Dry Contact Circuit Board Assy., 10 Relay Washer, Lock #8 (6) Screw, R.H.M. 8-32 (6) Grommet, Plastic (6) Jumper (3) Holder, Fuse Fuse, Lamp Cover, Terminal Strip (2) Cover, Terminal Strip	D-294303 X-22-7 X-51-2 X-593-2 X-6048-2 239050 239179 294631 294632
14-H	PA-320225	1 Relay Dry Contact Circuit Board Assy., 1 Relay Washer, Lock #8 (4) Screw, R.H.M. 8-32 (4) Grommet, Plastic (4) Holder, Fuse Fuse, Lamp Cover, Terminal Strip	C-294301 X-22-7 X-51-2 X-593-2 239050 239179 294633
14-J	PA-320226	Relay Dry Contact Circuit Board Assy., 1 Relay Washer, Lock #8 (4) Screw, R.H.M. 8-32 (4) Grommet, Plastic (4) Holder, Fuse Fuse, Lamp Cover, Terminal Strip	C-294301 X-22-7 X-51-2 X-593-2 239050 239179 294633
14-K	PA-320227	Relay Dry Contact Circuit Board Assy., 1 Relay Washer, Lock #8 (4) Screw, R.H.M. 8-32 (4) Grommet, Plastic (4) Holder, Fuse Fuse, Lamp Cover, Terminal Strip	C-294301 X-22-7 X-51-2 X-593-2 239050 239179 294633
14-L	PA-320228	Relay Dry Contact Circuit Board Assy., 1 Relay Washer, Lock #8 (4) Screw, R.H.M. 8-32 (4) Grommet, Plastic (4) Holder, Fuse Fuse, Lamp Cover, Terminal Strip	C-294301 X-22-7 X-51-2 X-593-2 239050 239179 294633
14-M	PA-320229	Relay Dry Contact Circuit Board Assy., 1 Relay Washer, Lock #8 (4) Screw, R.H.M. 8-32 (4) Grommet, Plastic (4) Holder, Fuse Fuse, Lamp Cover, Terminal Strip	C-294301 X-22-7 X-51-2 X-593-2 239050 239179 294633

Auxiliary Contacts—Relay Continued

KD-Accessory	Kit Number	Description	Part Number
14-N	PA-320230	Relay Dry Contact Circuit Board Assy., 1 Relay Washer, Lock #8 (4) Screw, R.H.M. 8-32 (4) Grommet, Plastic (4) Holder, Fuse Fuse, Lamp Cover, Terminal Strip	C-294301 X-22-7 X-51-2 X-593-2 239050 239179 294633
14-P	PA-320231	Relay Dry Contact Circuit Board Assy., 1 Relay Washer, Lock #8 (4) Screw, R.H.M. 8-32 (4) Grommet, Plastic (4) Holder, Fuse Fuse, Lamp Cover, Terminal Strip (2) Clip, U	C-294301 X-22-7 X-51-2 X-593-2 239050 239179 294633 297937
14-R	PA-320232	Relay Dry Contact Circuit Board Assy., 1 Relay Washer, Lock #8 (4) Screw, R.H.M. 8-32 (4) Grommet, Plastic (4) Holder, Fuse Fuse, Lamp Cover, Terminal Strip	C-294301 X-22-7 X-51-2 X-593-2 239050 239179 294633

Auxiliary Contacts—Main Shaft

KD-Accessory	Kit Number	Description	Part Number
15-EA		Auxiliary Contact Contact, Auxiliary	295166
15-EC		Auxiliary Contact Contact, Auxiliary	295169
15-FA		Auxiliary Contact Contact, Auxiliary Insulator, Plate	295166 297275
15-FC		Auxiliary Contact Contact, Auxiliary	295169
15-GA		Auxiliary Contact Contact, Auxiliary (2) Insulator, Plate (2)	295166 297275
15-GC		Auxiliary Contact Contact, Auxiliary (2) Actuator, Contact (2)	295169 295170
15-GE		Auxiliary Contact Contact, Auxiliary	297576
15-GF		Auxiliary Contact Contact, Auxiliary	297576
15-HA		Auxiliary Contact Contact, Auxiliary (2) Insulator, Plate (2)	295166 297275

Auxiliary Contacts—Main Shaft Continued

KD-Accessory	Kit Number	Description	Part Number
15-HC		Auxiliary Contact Contact, Auxiliary (2) Actuator, Contact	295169 295170
15-HE		Auxiliary Contact Contact, Auxiliary	297576
15-JA		Auxiliary Contact Contact, Auxiliary (3)	295166
15-JC		Auxiliary Contact Contact, Auxiliary (3) Actuator, Contact	295169 295170
15-KA		Auxiliary Contact Contact, Auxiliary (3) Insulator, Plate (3)	295166 297275
15-KC		Auxiliary Contact Contact, Auxiliary (3) Actuator, Contact	295169 295170
15-LB		Auxiliary Contact Contact, Auxiliary	295167
15-LD		Auxiliary Contact Contact, Auxiliary	297997
15-LE		Auxiliary Contact Contact, Auxiliary	297576
15-LF		Auxiliary Contact Contact, Auxiliary	297576
15-LG		Auxiliary Contact Contact, Auxiliary	297576
15-MB		Auxiliary Contact Contact, Auxiliary Contact, Auxiliary	295167 295168

Meters

KD-Accessory	Kit Number	Description	Part Number
18-GA		Frequency Meter 120V Insulink (3) Fuse, 2 Amp Holder, Fuse Guard, Meter Meter, Frequency	X-367-3 239049 239050 294705 295069
18-GB		Frequency Meter 208V Insulink (3) Fuse, 2 Amp Holder, Fuse Guard, Meter Meter, Frequency Clip, U	X-367-3 239049 239050 294705 295348 297937
18-GC		Frequency Meter 240V Insulink (3) Fuse, 2 Amp Holder, Fuse Guard, Meter Meter, Frequency Clip, U	X-367-3 239049 239050 294705 295348 297937
18-GD		Frequency Meter 380V Insulink (3) Fuse, 2 Amp Holder, Fuse Guard, Meter Meter, Frequency Transformer Clip, U	X-367-3 239049 239050 294705 295069 295300 297937
18-GE		Frequency Meter 416V Insulink (3) Fuse, 2 Amp Holder, Fuse Guard, Meter Meter, Frequency Transformer Clip, U	X-367-3 239049 239050 294705 295069 295301 297937
18-GF		Frequency Meter 440V Insulink (3) Fuse, 2 Amp Holder, Fuse Guard, Meter Meter, Frequency Transformer Clip, U	X-367-3 239049 239050 294705 295069 295302 297937
18-GG		Frequency Meter 550V Insulink (3) Fuse, 2 Amp Holder, Fuse Guard, Meter Meter, Frequency Transformer Clip, U	X-367-3 239049 239050 294705 295069 295299 297937

Meters Continued

KD-Accessory	Kit Number	Description	Part Number
18-JA-10		Volt/Ammeter Selector Terminal Insulink (2) Conduit, Convolute Fuse, 2 Amp Holder, Fuse Switch, Selector Nameplate Guard, Meter Voltmeter, AC Transformer (3) Transformer Ammeter Resistor Clip, U	 X-367-2 X-367-3 X-6003-36 239049 239050 294699 294704 294705 295017 295019 295299 295336 295396 297937
18-JA2		Volt/Ammeter Selector Terminal Insulink (2) Conduit, Convolute Fuse, 2 Amp Holder, Fuse Switch, Selector Nameplate Guard, Meter Voltmeter, AC Transformer (3) Ammeter Clip, U	 X-367-2 X-367-3 X-6003-36 239049 239050 294699 294704 294705 295017 295019 295336 297937
18-JA3		Volt/Ammeter Selector Insulink (2) Conduit, Convolute Fuse, 2 Amp Holder, Fuse Switch, Selector Nameplate Guard, Meter Voltmeter, AC Transformer Ammeter Clip, U	 X-367-3 X-6003-36 239049 239050 294700 294702 294705 295011 295019 295336 297937
18-JA4		Volt/Ammeter Selector Insulink (2) Insulink Conduit, Convolute Fuse, 2 Amp Holder, Fuse Switch, Selector Nameplate Guard, Meter Voltmeter, AC Transformer (2) Ammeter Clip, U	 X-367-3 X-367-4 X-6003-36 239049 239050 294701 294703 294705 295011 295019 295336 297937

Meters Continued

KD-Accessory	Kit Number	Description	Part Number
18-JA5		Volt/Ammeter Selector Terminal Insulink (2) Conduit, Convolute Fuse, 2 Amp Holder, Fuse Switch, Selector Nameplate Guard, Meter Voltmeter, AC Transformer (2) Ammeter Clip, U	X-367-2 X-367-3 X-6003-36 239049 239050 294699 294704 294705 295011 295019 295336 297937
18-JA8		Volt/Ammeter Selector Insulink (3) Conduit, Convolute Fuse, 2 Amp Holder, Fuse Switch, Selector Nameplate Guard, Meter Voltmeter, AC Transformer Transformer Ammeter Resistor	X-367-3 X-6003-36 239049 239050 294700 294702 294705 295014 295019 295302 295336 295396
18-JA9		Volt/Ammeter Selector Terminal Insulink (3) Conduit, Convolute Fuse, 2 Amp Holder, Fuse Switch, Selector Nameplate Guard, Meter Voltmeter, AC Transformer Transformer Ammeter Resistor Clip, U	X-367-2 X-367-3 X-6003-36 239049 239050 294699 294704 294705 295014 295019 295302 295336 295396 297937
18-JB1		Volt/Ammeter Selector Insulink (3) Conduit, Convolute Fuse, 2 Amp Holder, Fuse Transformer Switch, Selector Nameplate Guard, Meter Ammeter Voltmeter Clip, U	X-367-3 X-6003-36 239049 239050 246884 294700 294702 294705 295337 295344 297937

Meters Continued

KD-Accessory	Kit Number	Description	Part Number
18-JB10		Volt/Ammeter Selector Terminal Insulink (2) Conduit, Convolute Fuse, 2 Amp Holder, Fuse Transformer (3) Switch, Selector Nameplate Guard, Meter Ammeter Voltmeter Clip, U Resistor	 X-367-2 X-367-3 X-6003-36 239049 239050 246885 294699 294704 294705 295337 295017 297937 295396
18-JB-2		Volt/Ammeter Selector Terminal Insulink (2) Conduit, Convolute Fuse, 2 Amp Holder, Fuse Transformer (3) Switch, Selector Nameplate Guard, Meter Ammeter Voltmeter Clip, U	 X-367-2 X-367-3 X-6003-36 239049 239050 246884 294699 294704 294705 295337 295011 297937
18-JB4		Volt/Ammeter Selector Insulink Insulink (2) Conduit, Convolute Fuse, 2 Amp Holder, Fuse Transformer (2) Switch, Selector Nameplate Guard, Meter Ammeter Voltmeter Clip, U	 X-367-4 X-367-3 X-6003-36 239049 239050 246884 294701 294703 294705 295337 295011 297937
18-JB5		Volt/Ammeter Selector Terminal Insulink (2) Conduit, Convolute Fuse, 2 Amp Holder, Fuse Transformer (3) Switch, Selector Nameplate Guard, Meter Ammeter Voltmeter Clip, U	 X-367-2 X-367-3 X-6003-36 239049 239050 246884 294699 294704 294705 295337 295011 297937

Meters Continued

KD-Accessory	Kit Number	Description	Part Number
18-JB8		Volt/Ammeter Selector Insulink (3) Conduit, Convoluted Fuse, 2 Amp Holder, Fuse Transformer Switch, Selector Nameplate Guard, Meter Transformer Ammeter Voltmeter Clip, U Resistor	X-367-3 X-6003-36 239049 239050 246884 294701 294703 294705 295302 295337 295014 297937 295396
18-JB9		Volt/Ammeter Selector Terminal Insulink (2) Conduit, Convoluted Fuse, 2 Amp Holder, Fuse Transformer (3) Switch, Selector Nameplate Guard, Meter Transformer Ammeter Voltmeter Clip, U Resistor	X-367-2 X-367-3 X-6003-36 239049 239050 246884 294699 294704 294705 295302 295337 295014 297937 295396
18-JC1		Volt/Ammeter Selector Insulink (3) Conduit, Convoluted Fuse, 2 Amp Holder, Fuse Transformer (3) Switch, Selector Nameplate Guard, Meter Transformer Ammeter Voltmeter Clip, U	X-367-3 X-6003-36 239049 239050 246884 294700 294702 294705 295302 295338 295344 297937

Meters Continued

KD-Accessory	Kit Number	Description	Part Number
18-JC10		Volt/Ammeter Selector Terminal Insulink (2) Conduit, Convoluted Fuse, 2 Amp Holder, Fuse Transformer (3) Switch, Selector Nameplate Guard, Meter Transformer Ammeter Voltmeter Clip, U Resistor	 X-367-2 X-367-3 X-6003-36 239049 239050 246885 294699 294704 294705 295299 295338 295017 297937 295396
18-JC2		Volt/Ammeter Selector Terminal Insulink (2) Conduit, Convoluted Fuse, 2 Amp Holder, Fuse Transformer (3) Switch, Selector Nameplate Guard, Meter Ammeter Voltmeter Clip, U	 X-367-2 X-367-3 X-6003-36 239049 239050 246885 294699 294704 294705 295338 295011 297937
18-JC3		Volt/Ammeter Selector Insulink (3) Conduit, Convoluted Fuse, 2 Amp Holder, Fuse Transformer (3) Switch, Selector Nameplate Guard, Meter Ammeter Voltmeter Clip, U	 X-367-3 X-6003-36 239049 239050 246885 294700 294702 294705 295338 295011 297937
18-JC4		Volt/Ammeter Selector Insulink (2) Insulink Conduit, Convoluted Fuse, 2 Amp Holder, Fuse Transformer (3) Switch, Selector Nameplate Guard, Meter Ammeter Voltmeter Clip, U	 X-367-3 X-367-4 X-6003-36 239049 239050 246885 294701 294703 294705 295338 295011 297937

Meters Continued

KD-Accessory	Kit Number	Description	Part Number
18-JC5		Volt/Ammeter Selector Insulink (2) Insulink Conduit, Convolute Fuse, 2 Amp Holder, Fuse Transformer (3) Switch, Selector Nameplate Guard, Meter Ammeter Voltmeter Clip, U	X-367-3 X-367-4 X-6003-36 239049 239050 246885 294699 294704 294705 295338 295011 297937
18-JC9		Volt/Ammeter Selector Terminal Insulink (2) Conduit, Convolute Fuse, 2 Amp Holder, Fuse Transformer (3) Switch, Selector Nameplate Guard, Meter Transformer Ammeter Voltmeter Clip, U Resistor	X-367-2 X-367-3 X-6003-36 239049 239050 246885 294699 294704 294705 295302 295338 295014 297937 295396
18-JD1		Volt/Ammeter Selector Insulink (3) Conduit, Convolute Fuse, 2 Amp Holder, Fuse Transformer Switch, Selector Nameplate Guard, Meter Ammeter Voltmeter Clip, U	X-367-3 X-6003-36 239049 239050 246886 294700 294702 294705 295337 295344 297937
18-JD10		Volt/Ammeter Selector Terminal Insulink (2) Conduit, Convolute Fuse, 2 Amp Holder, Fuse Transformer (3) Switch, Selector Nameplate Guard, Meter Transformer Ammeter Voltmeter Clip, U Resistor	X-367-2 X-367-3 X-6003-36 239049 239050 246886 294699 294704 294705 295299 295337 295017 297937 295396

Meters Continued

KD-Accessory	Kit Number	Description	Part Number
18-JD2		Volt/Ammeter Selector Insulink Insulink (2) Conduit, Convolute Fuse, 2 Amp Holder, Fuse Transformer (3) Switch, Selector Nameplate Guard, Meter Ammeter Voltmeter Clip, U	X-367-4 X-367-3 X-6003-36 239049 239050 246886 294699 294704 294705 295337 295011 297937
18-JD3		Volt/Ammeter Selector Insulink (3) Conduit, Convolute Fuse, 2 Amp Holder, Fuse Transformer Switch, Selector Nameplate Guard, Meter Ammeter Voltmeter Clip, U	X-367-3 X-6003-36 239049 239050 246886 294700 294702 294705 295337 295011 297937
18-JD4		Volt/Ammeter Selector Insulink (2) Insulink Conduit, Convolute Fuse, 2 Amp Holder, Fuse Transformer (2) Switch, Selector Nameplate Guard, Meter Ammeter Voltmeter Clip, U	X-367-3 X-367-4 X-6003-36 239049 239050 246886 294701 294703 294705 295337 295011 297937
18-JD5		Volt/Ammeter Selector Terminal Insulink (2) Conduit, Convolute Fuse, 2 Amp Holder, Fuse Transformer (3) Switch, Selector Nameplate Guard, Meter Ammeter Voltmeter Clip, U	X-367-2 X-367-3 X-6003-36 239049 239050 246886 294699 294704 294705 295337 295011 297937

Meters Continued

KD-Accessory	Kit Number	Description	Part Number
18-JD8		Volt/Ammeter Selector Insulink (3) Conduit, Convoluted Fuse, 2 Amp Holder, Fuse Transformer Switch, Selector Nameplate Guard, Meter Ammeter Voltmeter Transformer Clip, U Resistor	X-367-3 X-6003-36 239049 239050 246886 294700 294702 294705 295337 295014 295302 297937 295396
18-JD9		Volt/Ammeter Selector Terminal Insulink (2) Conduit, Convoluted Fuse, 2 Amp Holder, Fuse Transformer (3) Switch, Selector Nameplate Guard, Meter Ammeter Voltmeter Transformer Resistor Clip, U	X-367-2 X-367-3 X-6003-36 239049 239050 246886 294699 294704 294705 295337 295014 295302 295396 297937
18-JE1		Volt/Ammeter Selector Insulink (3) Conduit, Convoluted Fuse, 2 Amp Holder, Fuse Transformer Switch, Selector Nameplate Guard, Meter Ammeter Voltmeter Clip, U	X-367-3 X-6003-36 239049 239050 246889 294700 294702 294705 295339 295344 297937
18-JE10		Volt/Ammeter Selector Terminal Insulink (2) Conduit, Convoluted Fuse, 2 Amp Holder, Fuse Transformer (3) Switch, Selector Nameplate Guard, Meter Ammeter Voltmeter Transformer Resistor Clip, U	X-367-2 X-367-3 X-6003-36 239049 239050 246889 294699 294704 294705 295339 295017 295299 295396 297937

Meters Continued

KD-Accessory	Kit Number	Description	Part Number
18-JE2		Volt/Ammeter Selector Terminal Insulink (2) Conduit, Convolute Fuse, 2 Amp Holder, Fuse Transformer (3) Switch, Selector Nameplate Guard, Meter Ammeter Voltmeter Clip, U	X-367-2 X-367-3 X-6003-36 239049 239050 246889 294699 294704 294705 295339 295011 297937
18-JE3		Volt/Ammeter Selector Insulink (3) Conduit, Convolute Fuse, 2 Amp Holder, Fuse Transformer Switch, Selector Nameplate Guard, Meter Ammeter Voltmeter Clip, U	X-367-3 X-6003-36 239049 239050 246889 294700 294702 294705 295339 295011 297937
18-JE4		Volt/Ammeter Selector Insulink (2) Insulink Conduit, Convolute Fuse, 2 Amp Holder, Fuse Transformer Switch, Selector Nameplate Guard, Meter Ammeter Voltmeter Clip, U	X-367-3 X-367-4 X-6003-36 239049 239050 246889 294701 294703 294705 295339 295011 297937
18-JE5		Volt/Ammeter Selector Terminal Insulink (2) Conduit, Convolute Fuse, 2 Amp Holder, Fuse Transformer Switch, Selector Nameplate Guard, Meter Ammeter Voltmeter Clip, U	X-367-2 X-367-3 X-6003-36 239049 239050 246889 294699 294704 294705 295339 295011 297937

Meters Continued

KD-Accessory	Kit Number	Description	Part Number
18-JE8		Volt/Ammeter Selector Insulink (3) Conduit, Convoluted Fuse, 2 Amp Holder, Fuse Transformer Switch, Selector Nameplate Guard, Meter Ammeter Voltmeter Transformer Resistor Clip, U	X-367-3 X-6003-36 239049 239050 246889 294700 294702 294705 295339 295014 295302 295396 297937
18-JE9		Volt/Ammeter Selector Terminal Insulink (2) Conduit, Convoluted Fuse, 2 Amp Holder, Fuse Transformer Switch, Selector Nameplate Guard, Meter Ammeter Voltmeter Transformer Resistor Clip, U	X-367-2 X-367-3 X-6003-36 239049 239050 246889 294699 294704 294705 295339 295014 295302 295396 297937
18-JF1		Volt/Ammeter Selector Insulink (3) Conduit, Convoluted Fuse, 2 Amp Holder, Fuse Transformer Switch, Selector Nameplate Guard, Meter Ammeter Voltmeter Clip, U	X-367-3 X-6003-36 239049 239050 248874 294700 294702 294705 295340 295344 297937
18-JF10		Volt/Ammeter Selector Terminal Insulink (2) Conduit, Convoluted Fuse, 2 Amp Holder, Fuse Transformer (3) Switch, Selector Nameplate Guard, Meter Ammeter Voltmeter Transformer Resistor Clip, U	X-367-2 X-367-3 X-6003-36 239049 239050 248874 294699 294704 294705 295340 295017 295299 295396 297937

Meters Continued

KD-Accessory	Kit Number	Description	Part Number
18-JF2		Volt/Ammeter Selector Terminal Insulink (2) Conduit, Convoluted Fuse, 2 Amp Holder, Fuse Transformer Switch, Selector Nameplate Guard, Meter Ammeter Voltmeter Clip, U	X-367-2 X-367-3 X-6003-36 239049 239050 248874 294699 294704 294705 295340 295011 297937
18-JF3		Volt/Ammeter Selector Insulink (3) Conduit, Convoluted Fuse, 2 Amp Holder, Fuse Transformer Switch, Selector Nameplate Guard, Meter Ammeter Voltmeter Clip, U	X-367-3 X-6003-36 239049 239050 248874 294700 294702 294705 295340 295011 297937
18-JF4		Volt/Ammeter Selector Insulink (2) Insulink Conduit, Convoluted Fuse, 2 Amp Holder, Fuse Transformer (2) Switch, Selector Nameplate Guard, Meter Ammeter Voltmeter Clip, U	X-367-3 X-367-4 X-6003-36 239049 239050 248874 294701 294703 294705 295340 295011 297937
18-JF5		Volt/Ammeter Selector Terminal Insulink (2) Conduit, Convoluted Fuse, 2 Amp Holder, Fuse Transformer (3) Switch, Selector Nameplate Guard, Meter Ammeter Voltmeter Clip, U	X-367-2 X-367-3 X-6003-36 239049 239050 248874 294699 294704 294705 295340 295011 297937

Meters Continued

KD-Accessory	Kit Number	Description	Part Number
18-JF8		Volt/Ammeter Selector Insulink (3) Conduit, Convoluted Fuse, 2 Amp Holder, Fuse Transformer Switch, Selector Nameplate Guard, Meter Ammeter Voltmeter Transformer Resistor Clip, U	X-367-3 X-6003-36 239049 239050 248874 294700 294702 294705 295340 295014 295302 295396 297937
18-JF9		Volt/Ammeter Selector Terminal Insulink (2) Conduit, Convoluted Fuse, 2 Amp Holder, Fuse Transformer Switch, Selector Nameplate Guard, Meter Ammeter Voltmeter Transformer Resistor Clip, U	X-367-2 X-367-3 X-6003-36 239049 239050 248874 294699 294704 294705 295340 295014 295302 295396 297937
18-JG1		Volt/Ammeter Selector Insulink (3) Conduit, Convoluted Fuse, 2 Amp Holder, Fuse Transformer Switch, Selector Nameplate Guard, Meter Ammeter Voltmeter Clip, U	X-367-3 X-6003-36 239049 239050 297148 294700 294702 294705 295339 295344 297937
18-JG10		Volt/Ammeter Selector Terminal Insulink (2) Conduit, Convoluted Fuse, 2 Amp Holder, Fuse Transformer Switch, Selector Nameplate Guard, Meter Ammeter Voltmeter Transformer (3) Resistor Clip, U	X-367-2 X-367-3 X-6003-36 239049 239050 295299 294699 294704 294705 295339 295017 297148 295396 297937

Meters Continued

KD-Accessory	Kit Number	Description	Part Number
18-JG2		Volt/Ammeter Selector Terminal Insulink (2) Conduit, Convolute Fuse, 2 Amp Holder, Fuse Transformer (3) Switch, Selector Nameplate Guard, Meter Ammeter Voltmeter Clip, U	X-367-2 X-367-3 X-6003-36 239049 239050 297148 294699 294704 294705 295339 295011 297937
18-JG3		Volt/Ammeter Selector Insulink (3) Conduit, Convolute Fuse, 2 Amp Holder, Fuse Transformer Switch, Selector Nameplate Guard, Meter Ammeter Voltmeter Clip, U	X-367-3 X-6003-36 239049 239050 297148 294700 294702 294705 295339 295011 297937
18-JG4		Volt/Ammeter Selector Insulink (2) Insulink Conduit, Convolute Fuse, 2 Amp Holder, Fuse Transformer (2) Switch, Selector Nameplate Guard, Meter Ammeter Voltmeter Clip, U	X-367-3 X-367-4 X-6003-36 239049 239050 297148 294701 294703 294705 295339 295011 297937
18-JG5		Volt/Ammeter Selector Terminal Insulink (2) Conduit, Convolute Fuse, 2 Amp Holder, Fuse Transformer (3) Switch, Selector Nameplate Guard, Meter Ammeter Voltmeter Clip, U	X-367-2 X-367-3 X-6003-36 239049 239050 297148 294699 294704 294705 295339 295011 297937

Meters Continued

KD-Accessory	Kit Number	Description	Part Number
18-JG8		Volt/Ammeter Selector Insulink (3) Conduit, Convoluted Fuse, 2 Amp Holder, Fuse Transformer Switch, Selector Nameplate Guard, Meter Ammeter Voltmeter Transformer Resistor Clip, U	X-367-3 X-6003-36 239049 239050 295302 294700 294702 294705 295339 295014 297148 295396 297937
18-JG9		Volt/Ammeter Selector Terminal Insulink (2) Conduit, Convoluted Fuse, 2 Amp Holder, Fuse Transformer Switch, Selector Nameplate Guard, Meter Ammeter Voltmeter Transformer (3) Resistor Clip, U	X-367-2 X-367-3 X-6003-36 239049 239050 295302 294699 294704 294705 295339 295014 297148 295396 297937
18-JH1		Volt/Ammeter Selector Insulink (3) Conduit, Convoluted Fuse, 2 Amp Holder, Fuse Transformer Switch, Selector Nameplate Guard, Meter Ammeter Voltmeter Clip, U	X-367-3 X-6003-36 239049 239050 297149 294700 294702 294705 295340 295344 297937
18-JH10		Volt/Ammeter Selector Terminal Insulink (2) Conduit, Convoluted Fuse, 2 Amp Holder, Fuse Transformer Switch, Selector Nameplate Guard, Meter Ammeter Voltmeter Transformer (3) Resistor Clip, U	X-367-2 X-367-3 X-6003-36 239049 239050 295299 294699 294704 294705 295340 295014 297149 295396 297937

Meters Continued

KD-Accessory	Kit Number	Description	Part Number
18-JH2		Volt/Ammeter Selector Terminal Insulink (2) Conduit, Convolute Fuse, 2 Amp Holder, Fuse Transformer (3) Switch, Selector Nameplate Guard, Meter Ammeter Voltmeter Clip, U	X-367-2 X-367-3 X-6003-36 239049 239050 297149 294699 294704 294705 295340 295011 297937
18-JH3		Volt/Ammeter Selector Insulink (3) Conduit, Convolute Fuse, 2 Amp Holder, Fuse Transformer Switch, Selector Nameplate Guard, Meter Ammeter Voltmeter Clip, U	X-367-3 X-6003-36 239049 239050 297149 294700 294702 294705 295340 295011 297937
18-JH4		Volt/Ammeter Selector Insulink (2) Insulink Conduit, Convolute Fuse, 2 Amp Holder, Fuse Transformer (2) Switch, Selector Nameplate Guard, Meter Ammeter Voltmeter Clip, U	X-367-3 X-367-4 X-6003-36 239049 239050 297149 294701 294703 294705 295340 295011 297937
18-JH5		Volt/Ammeter Selector Terminal Insulink (2) Conduit, Convolute Fuse, 2 Amp Holder, Fuse Transformer (3) Switch, Selector Nameplate Guard, Meter Ammeter Voltmeter Clip, U	X-367-2 X-367-3 X-6003-36 239049 239050 297149 294699 294704 294705 295340 295011 297937

Meters Continued

KD-Accessory	Kit Number	Description	Part Number
18-JH8		Volt/Ammeter Selector Insulink (3) Conduit, Convoluted Fuse, 2 Amp Holder, Fuse Transformer Switch, Selector Nameplate Guard, Meter Ammeter Voltmeter Transformer Resistor Clip, U	X-367-3 X-6003-36 239049 239050 295302 294700 294702 294705 295340 295014 297149 295396 297937
18-JH9		Volt/Ammeter Selector Terminal Insulink (2) Conduit, Convoluted Fuse, 2 Amp Holder, Fuse Transformer Switch, Selector Nameplate Guard, Meter Ammeter Voltmeter Transformer (3) Resistor Clip, U	X-367-2 X-367-3 X-6003-36 239049 239050 295302 294699 294704 294705 295340 295014 297149 295396 297937
18-JK2		Volt/Ammeter Selector Terminal Insulink (2) Conduit, Convoluted Fuse, 2 Amp Holder, Fuse Switch, Selector Nameplate Guard, Meter Ammeter Voltmeter Transformer (3)	X-367-2 X-367-3 X-6003-36 239049 239050 294699 294704 294705 282958 295011 291546
18-JK9		Volt/Ammeter Selector Terminal Insulink (2) Conduit, Convoluted Fuse, 2 Amp Holder, Fuse Transformer Switch, Selector Nameplate Guard, Meter Ammeter Voltmeter Transformer (3) Resistor	X-367-2 X-367-3 X-6003-36 239049 239050 295302 294699 294704 294705 282958 295014 291546 295396

Meters Continued

KD-Accessory	Kit Number	Description	Part Number
18-JL2		Volt/Ammeter Selector Terminal Insulink (2) Conduit, Convolute Fuse, 2 Amp Holder, Fuse Switch, Selector Nameplate Guard, Meter Ammeter Voltmeter Transformer (3)	X-367-2 X-367-3 X-6003-36 239049 239050 294699 294704 294705 282959 295011 291547
18-JL9		Volt/Ammeter Selector Terminal Insulink (2) Conduit, Convolute Fuse, 2 Amp Holder, Fuse Transformer Switch, Selector Nameplate Guard, Meter Ammeter Voltmeter Transformer (3) Resistor	X-367-2 X-367-3 X-6003-36 239049 239050 295302 294699 294704 294705 282959 295014 291547 295396
18-JM2		Volt/Ammeter Selector Terminal Insulink (2) Conduit, Convolute Fuse, 2 Amp Holder, Fuse Switch, Selector Nameplate Guard, Meter Ammeter Voltmeter Transformer (3)	X-367-2 X-367-3 X-6003-36 239049 239050 294699 294704 294705 282960 295011 291548
18-JM9		Volt/Ammeter Selector Terminal Insulink (2) Conduit, Convolute Fuse, 2 Amp Holder, Fuse Transformer Switch, Selector Nameplate Guard, Meter Ammeter Voltmeter Transformer (3) Resistor	X-367-2 X-367-3 X-6003-36 239049 239050 295302 294699 294704 294705 282960 295014 291548 295396

Meters Continued

KD-Accessory	Kit Number	Description	Part Number
18-JN2		Volt/Ammeter Selector Terminal Insulink (2) Conduit, Convolute Fuse, 2 Amp Holder, Fuse Switch, Selector Nameplate Guard, Meter Ammeter Voltmeter Transformer (3)	X-367-2 X-367-3 X-6003-36 239049 239050 294699 294704 294705 282959 295011 297675
18-JN9		Volt/Ammeter Selector Terminal Insulink (2) Conduit, Convolute Fuse, 2 Amp Holder, Fuse Transformer Switch, Selector Nameplate Guard, Meter Ammeter Voltmeter Transformer (3) Resistor	X-367-2 X-367-3 X-6003-36 239049 239050 295302 294699 294704 294705 282959 295014 297675 295396
18-JP2		Volt/Ammeter Selector Terminal Insulink (2) Conduit, Convolute Fuse, 2 Amp Holder, Fuse Switch, Selector Nameplate Guard, Meter Ammeter Voltmeter Transformer (3)	X-367-2 X-367-3 X-6003-36 239049 239050 294699 294704 294705 282960 295011 297676
18-JP9		Volt/Ammeter Selector Terminal Insulink (2) Conduit, Convolute Fuse, 2 Amp Holder, Fuse Transformer Switch, Selector Nameplate Guard, Meter Ammeter Voltmeter Transformer (3) Resistor	X-367-2 X-367-3 X-6003-36 239049 239050 295302 294699 294704 294705 282960 295014 297676 295396

Plant Exercisers

KD-Accessory	Kit Number	Description	Part Number
23-C		Plant Exerciser Shunt, Programming	294634
23-D	PA-320233	Plant Exerciser Shunt, Programming	294634
23-G	PA-320234	Plant Exerciser Screw, R.H.M. 8-32 (2) Ring, lock Switch, toggle Shunt, Programming Decal Bracket Nut, captive (2)	X-51-9 151511 268015 294634 294690 294718 298811

Battery Chargers

KD-Accessory	Kit Number	Description	Part Number
24-C	PA-320235	Battery Charger Charger Assembly, Battery Nut, Captive (4)	A-293274 298811
24-D	PA-320236	Battery Charger Charger Assembly, Battery Nut, Captive (4)	A-293275 298811
24-E	PA-320237	Battery Charger Charger Assembly, Battery Nut, Captive (4)	A-293656 298811
24-F	PA-320238	Battery Charger Charger Assembly, Battery Nut, Captive (4)	A-293647 298811
24-H	PA-320240	Battery Charger Charger Assembly, Battery Nut, Captive (4)	A-295087 298811

Manual Switch Operation

KD-Accessory	Kit Number	Description	Part Number
29-P	PA-320247	Toggle Switch Operation Manual Both Directions Switch, Pushbutton (2) Contact Assembly (2)	294653 298049
29-R	PA-320248	Toggle Switch Operation Manual Both Directions—keyed Switch, 2 Position (2) Decal Contact Assembly (2)	294656 294688 298049
29-S	PA-320249	Toggle Switch Operation Manual Emergency to Normal Switch, Pushbutton Contact Assembly	294653 298049
29-T	PA-320250	Toggle Switch Operation Manual Both Directions—keyed Switch, 2 Position Decal Contact Assembly	294656 294687 298049

Manual Switch Operation Continued

29-U	PA-320251	Toggle Switch Operation Manual Both Directions With Auto Manual Switch, Pushbutton (2) 294653 Switch, 2-Position 294654 Contact Assembly (3) 298049
29-V	PA-320252	Toggle Switch Operation Manual Both Directions With Auto Manual—keyed Switch, Pushbutton (2) 294653 Switch, 2-Position 294655 Contact Assembly (3) 298049
29-W	PA-320253	Toggle Switch Operation Manual Emergency to Normal With Auto Manual Switch, Pushbutton 294653 Switch, 2-Position 294654 Contact Assembly (2) 298049
29-X	PA-320254	Toggle Switch Operation Manual Emergency to Normal With Auto Manual—keyed Switch, Pushbutton 294653 Switch, 2-Position 294655 Switch, Operator 298039

Audible Alarms

KD-Accessory	Kit Number	Description	Part Number
31-BA	PA-320255	Audible Alarm 110-220 Circuit Board Assy,1 Relay Dry Washer, Lock #8 (4) Insulink (4) Screw, R.H.M. 8-32 x .750 (2) Screw, R.H.M. 8-32 x 1.125 (4) Grommet, Plastic (4) Bushing, Nylon Fuse, 2 Amp (2) Holder, Fuse (2) Cover, Terminal Strip Switch, 2 Position Bell, Alarm Contact Assembly	C-294301 X-22-7 X-367-3 X-51-11 X-51-2 X-593-2 X-634-22 239049 239050 294633 294654 295149 298047
31-BB	PA-320256	Audible Alarm 190-208 Circuit Board Assy,1 Relay Dry Washer, Lock #8 (4) Insulink (4) Screw, R.H.M. 6-32 x .500 (2) Screw, R.H.M. 8-32 x .750 (2) Screw, R.H.M. 8-32 x 1.125 (4) Grommet, Plastic (4) Bushing, Nylon Fuse, 2 Amp (2) Holder, Fuse (2) Cover, Terminal Strip Switch, 2 Position Bell, Alarm Transformer Contact Assembly Nut, captive (2)	C-294301 X-22-7 X-367-3 X-49-26 X-51-11 X-51-2 X-593-2 X-634-22 239049 239050 294633 294654 295149 295354 298047 298810
31-BC	PA-320257	Audible Alarm 220-240 Circuit Board Assy,1 Relay Dry Washer, Lock #8 (4) Insulink (4) Screw, R.H.M. 6-32 x .500 (2) Screw, R.H.M. 8-32 x .750 (2) Screw, R.H.M. 8-32 x 1.125 (4) Grommet, Plastic (4) Bushing, Nylon Fuse, 2 Amp (2) Holder, Fuse (2) Cover, Terminal Strip Switch, 2 Position Bell, Alarm Transformer Contact Assembly Nut, captive (2)	C-294301 X-22-7 X-367-3 X-49-26 X-51-11 X-51-2 X-593-2 X-634-22 239049 239050 294633 294654 295149 295355 298047 298810

Audible Alarms Continued

KD-Accessory	Kit Number	Description	Part Number
31-BD	PA-320258	Audible Alarm 380-416 Circuit Board Assy,1 Relay Dry Washer, Lock #8 (4) Insulink (4) Screw, R.H.M. 6-32 x .500 (2) Screw, R.H.M. 8-32 x .750 (2) Screw, R.H.M. 8-32 x 1.125 (4) Grommet, Plastic (4) Bushing, Nylon Fuse, 2 Amp (2) Holder, Fuse (2) Cover, Terminal Strip Switch, 2 Position Bell, Alarm Transformer Contact Assembly Nut, captive (2)	C-294301 X-22-7 X-367-3 X-49-26 X-51-11 X-51-2 X-593-2 X-634-22 239049 239050 294633 294654 295149 295301 298047 298810
31-BE	PA-320259	Audible Alarm 440-480 Circuit Board Assy,1 Relay Dry Washer, Lock #8 (4) Insulink (4) Screw, R.H.M. 6-32 x .500 (2) Screw, R.H.M. 8-32 x .750 (2) Screw, R.H.M. 8-32 x 1.125 (4) Grommet, Plastic (4) Bushing, Nylon Fuse, 2 Amp (2) Holder, Fuse (2) Cover, Terminal Strip Switch, 2 Position Bell, Alarm Transformer Contact Assembly Nut, captive (2)	C-294301 X-22-7 X-367-3 X-49-26 X-51-11 X-51-2 X-593-2 X-634-22 239049 239050 294633 294654 295149 295302 298047 298810
31-BF	PA-320260	Audible Alarm 550-600 Circuit Board Assy,1 Relay Dry Washer, Lock #8 (4) Insulink (4) Screw, R.H.M. 6-32 x .500 (2) Screw, R.H.M. 8-32 x .750 (2) Screw, R.H.M. 8-32 x 1.125 (4) Grommet, Plastic (4) Bushing, Nylon Fuse, 2 Amp (2) Holder, Fuse (2) Cover, Terminal Strip Switch, 2 Position Bell, Alarm Transformer Contact Assembly Nut, captive (2)	C-294301 X-22-7 X-367-3 X-49-26 X-51-11 X-51-2 X-593-2 X-634-22 239049 239050 294633 294654 295149 295299 298047 298810

Audible Alarms Continued

KD-Accessory	Kit Number	Description	Part Number
31-DA	PA-320261	Audible Alarm 110-220 Circuit Board Assy,1 Relay Dry Washer, Lock #8 (4) Insulink (4) Screw, R.H.M. 8-32 x .750 (2) Screw, R.H.M. 8-32 x 1.125 (4) Grommet, Plastic (4) Bushing, Nylon Fuse, 2 Amp (2) Holder, Fuse (2) Cover, Terminal Strip Switch, 2 Position Bell, Alarm Contact Assembly	C-294301 X-22-7 X-367-3 X-51-11 X-51-2 X-593-2 X-634-22 239049 239050 294633 294654 295149 298047
31-DB	PA-320262	Audible Alarm 190-208 Circuit Board Assy,1 Relay Dry Washer, Lock #8 (4) Insulink (4) Screw, R.H.M. 6-32 x .500 (2) Screw, R.H.M. 8-32 x .750 (2) Screw, R.H.M. 8-32 x 1.125 (4) Grommet, Plastic (4) Bushing, Nylon Fuse, 2 Amp (2) Holder, Fuse (2) Cover, Terminal Strip Switch, 2 Position Bell, Alarm Transformer Contact Assembly Nut, captive (2)	C-294301 X-22-7 X-367-3 X-49-26 X-51-11 X-51-2 X-593-2 X-634-22 239049 239050 294633 294654 295149 295354 298047 298810
31-DC	PA-320263	Audible Alarm 190-208 Circuit Board Assy,1 Relay Dry Washer, Lock #8 (4) Insulink (4) Screw, R.H.M. 6-32 x .500 (2) Screw, R.H.M. 8-32 x .750 (2) Screw, R.H.M. 8-32 x 1.125 (4) Grommet, Plastic (4) Bushing, Nylon Fuse, 2 Amp (2) Holder, Fuse (2) Cover, Terminal Strip Switch, 2 Position Bell, Alarm Transformer Contact Assembly Nut, captive (2)	C-294301 X-22-7 X-367-3 X-49-26 X-51-11 X-51-2 X-593-2 X-634-22 239049 239050 294633 294654 295149 295355 298047 298810

Audible Alarms Continued

KD-Accessory	Kit Number	Description	Part Number
31-DD	PA-320264	Audible Alarm 380-416 Circuit Board Assy,1 Relay Dry Washer, Lock #8 (4) Insulink (4) Screw, R.H.M. 6-32 x .500 (2) Screw, R.H.M. 8-32 x .750 (2) Screw, R.H.M. 8-32 x 1.125 (4) Grommet, Plastic (4) Bushing, Nylon Fuse, 2 Amp (2) Holder, Fuse (2) Cover, Terminal Strip Switch, 2 Position Bell, Alarm Transformer Contact Assembly Nut, captive (2)	C-294301 X-22-7 X-367-3 X-49-26 X-51-11 X-51-2 X-593-2 X-634-22 239049 239050 294633 294654 295149 295301 298047 298810
31-DE	PA-320265	Audible Alarm 440-480 Circuit Board Assy,1 Relay Dry Washer, Lock #8 (4) Insulink (4) Screw, R.H.M. 6-32 x .500 (2) Screw, R.H.M. 8-32 x .750 (2) Screw, R.H.M. 8-32 x 1.125 (4) Grommet, Plastic (4) Bushing, Nylon Fuse, 2 Amp (2) Holder, Fuse (2) Cover, Terminal Strip Switch, 2 Position Bell, Alarm Transformer Contact Assembly Nut, captive (2)	C-294301 X-22-7 X-367-3 X-49-26 X-51-11 X-51-2 X-593-2 X-634-22 239049 239050 294633 294654 295149 295302 298047 298810
31-DF	PA-320266	Audible Alarm 550-600 Circuit Board Assy,1 Relay Dry Washer, Lock #8 (4) Insulink (4) Screw, R.H.M. 6-32 x .500 (2) Screw, R.H.M. 8-32 x .750 (2) Screw, R.H.M. 8-32 x 1.125 (4) Grommet, Plastic (4) Bushing, Nylon Fuse, 2 Amp (2) Holder, Fuse (2) Cover, Terminal Strip Switch, 2 Position Bell, Alarm Transformer Contact Assembly Nut, captive (2)	C-294301 X-22-7 X-367-3 X-49-26 X-51-11 X-51-2 X-593-2 X-634-22 239049 239050 294633 294654 295149 295299 298047 298810

Source Monitors—Normal & Emergency

KD-Accessory	Kit Number	Description	Part Number
34-A		In-phase Monitor Shunt, Programming	294634
34-J		Normal & Emergency Sensing Shunt, Programming	294634
34-Z		Phase Rotation Shunt, Programming	294634

Load-Shedding Contacts

KD-Accessory	Kit Number	Description	Part Number
35-N	PA-320267	Load Shed Contacts Circuit Board Assy., Load Shed Circuit Board Assy., 10 Relay Screw, R.H.M. 8-32 X 1.125 (6) Grommet, Plastic (6) Spacer, Fiber (4) Harness, Wiring Cover, Terminal Strip (2) Cover, Terminal Strip Cable Assembly, Ribbon Box, Cover	B-294495 D-294303 X-51-2 X-593-2 X-712-2 294616 294631 294632 294638 294719

Enclosure Options—Space Heaters

KD-Accessory	Kit Number	Description	Part Number
39-BB1	PA-320268	Strip Heater/Thermostat Insulink (2) Screw, R.H.M. 10-24 x .625 (2) Insulator, Panel (2) Holder, Fuse (2) Fuse, Lamp (2) Thermostat, Control Sink, Heat Heater, Strip Clip, U	X-367-3 X-50-8 233269 239050 239179 295940 297039 297061 297937
39-BB2	PA-320269	Strip Heater/Thermostat Terminal (2) Terminal (2) Insulink Terminal Screw, R.H.M. 10-24 x .625 (2) Insulator, Panel (2) Holder, Fuse (2) Fuse, Lamp (2) Thermostat, Control Sink, Heat Heater, Strip Clip, U	X-283-8 X-283-9 X-367-3 X-431-29 X-50-8 233269 239050 239179 295940 297039 297062 297937

Enclosure Options—Space Heaters Continued

KD-Accessory	Kit Number	Description	Part Number
39-BB3	PA-320270	Strip Heater/Thermostat Insulink Screw, R.H.M. 10-24 x .625 (2) Insulator, Panel (2) Holder, Fuse (2) Fuse, Lamp (2) Thermostat, Control Sink, Heat Heater, Strip Clip, U	X-367-3 X-50-8 233269 239050 239179 295940 297039 297063 297937
39-BC1	PA-320271	Strip Heater/Thermostat Insulink (3) Screw, R.H.M. 10-24 x .625 (2) Insulator, Panel (2) Holder, Fuse (2) Fuse, Lamp (2) Thermostat, Control Sink, Heat Heater, Strip Clip, U	X-367-3 X-50-8 233269 239050 239179 295940 297039 297040 297937
39-BC2	PA-320272	Strip Heater/Thermostat Insulink (3) Screw, R.H.M. 10-24 x .625 (2) Insulator, Panel (2) Holder, Fuse (2) Fuse, Lamp (2) Thermostat, Control Sink, Heat Heater, Strip Clip, U	X-367-3 X-50-8 233269 239050 239179 295940 297039 297037 297937
39-BC3	PA-320273	Strip Heater/Thermostat Insulink Screw, R.H.M. 10-24 x .625 (2) Insulator, Panel (2) Holder, Fuse (2) Fuse, Lamp (2) Thermostat, Control Sink, Heat Heater, Strip Clip, U	X-367-3 X-50-8 233269 239050 239179 295940 297039 297047 297937
39-BD1	PA-320274	Strip Heater/Thermostat Insulink (3) Screw, R.H.M. 10-24 x .625 (6) Insulator, Panel (2) Holder, Fuse (2) Fuse, Lamp (2) Thermostat, Control Sink, Heat Heater, Strip Transformer Clip, U	X-367-3 X-50-8 233269 239050 239179 295940 297039 295936 297048 297937

Enclosure Options—Space Heaters Continued

KD-Accessory	Kit Number	Description	Part Number
39-BD2	PA-320275	Strip Heater/Thermostat Insulink Terminal Screw, R.H.M. 10-24 x .625 (6) Insulator, Panel (2) Holder, Fuse (2) Fuse, Lamp (2) Thermostat, Control Sink, Heat Heater, Strip Transformer Clip, U	X-367-3 X-431-25 X-50-8 233269 239050 239179 295940 297039 295938 297048 297937
39-BD3	PA-320276	Strip Heater/Thermostat Insulink Screw, R.H.M. 10-24 x .625 (6) Insulator, Panel (2) Holder, Fuse (2) Fuse, Lamp (2) Thermostat, Control Sink, Heat Heater, Strip Transformer Clip, U	X-367-3 X-50-8 233269 239050 239179 295940 297039 295939 297048 297937
39-BE1	PA-320277	Strip Heater/Thermostat Insulink (3) Screw, R.H.M. 10-24 x .625 (6) Insulator, Panel (2) Holder, Fuse (2) Fuse, Lamp (2) Thermostat, Control Sink, Heat Heater, Strip Transformer Clip, U	X-367-3 X-50-8 233269 239050 239179 295940 297039 295936 297048 297937
39-BE2	PA-320278	Strip Heater/Thermostat Insulink Screw, R.H.M. 10-24 x .625 (6) Insulator, Panel (2) Holder, Fuse (2) Fuse, Lamp (2) Thermostat, Control Sink, Heat Heater, Strip Transformer Clip, U	X-367-3 X-50-8 233269 239050 239179 295940 297039 295938 297048 297937

Enclosure Options—Space Heaters Continued

KD-Accessory	Kit Number	Description	Part Number
39-BF1	PA-320279	Strip Heater/Thermostat	
		Insulink (3)	X-367-3
		Screw, R.H.M. 10-24 x .625 (6)	X-50-8
		Insulator, Panel (2)	233269
		Holder, Fuse (2)	239050
		Fuse, Lamp (2)	239179
		Thermostat, Control	295940
		Sink, Heat	297039
		Heater, Strip	295936
		Transformer	297331
Clip, U	297937		
39-BF1	PA-320280	Strip Heater/Thermostat	
		Insulink	X-367-3
		Screw, R.H.M. 10-24 x .625 (6)	X-50-8
		Insulator, Panel (2)	233269
		Holder, Fuse (2)	239050
		Fuse, Lamp (2)	239179
		Thermostat, Control	295940
		Sink, Heat	297039
		Heater, Strip	295938
		Transformer	297331
Clip, U	297937		

Remote Connections

KD-Accessory	Kit Number	Description	Part Number
	PA-294862	M340 Monitor Software Software, host computer	294862
	PA-294863	Personal Computer Adaptor, RS-232 to RS-485 Converter Assembly Resistor 120 ohm Cable, RS-232 Connector	A-320302 X-6058-27 294981 294988
	PA-294864	External Personal Computer Modem Cable, RS-232 Modem Connector	294981 294986 294988
	PA-295865	External M340 ATS Modem Cable, RS-232 Modem	294982 294987
51-A	PA-294866	Remote Communication, RS-485 Direct Connection Circuit Board Assy., ATS RS-485 Spacer (4) Cable Assembly, Ribbon Box, Cover	B-294499 X-712-8 294638 294719
51-B	PA-294867	Remote Communication, RS-232 Modem Connection Circuit Board Assy., ATS RS-232 Spacer (4) Cable Assembly, Ribbon Box, Cover	B-294501 X-712-8 294638 294719
	PA-294911	ATS Adaptor, RS-232 to RS-485 Converter Assembly Resistor, 120 ohm	A-320302 X-6058-27

Remote Connections Continued

KD-Accessory	Kit Number	Description	Part Number
	PA-294992	PC Cable for direct connection Cable, RS-232 Connector	294981 294988
	PA-294844	ATS Fast Check Circuit Board Assembly Adapter, quick check Screw, Phillips hex. (4) Spacer Box, cover Panel Decal Ribbon cable assembly Ribbon cable assembly (2)	A-294609 B-294825 X-6216-1 X-712-8 294821 294822 294823 294838 294839

Extender Harnesses

KD-Accessory	Kit Number	Description	Part Number
	PA-294731	Extender Harness 2 1/2 feet Harness, wiring	294731
	PA-294732	Extender Harness 5 feet Harness, wiring	294732
	PA-294733	Extender Harness 10 feet Harness, wiring	294733
	PA-294734	Extender Harness 20 feet Harness, wiring	294734

TP-5503 2/93

PRINTED IN U.S.A.

KOHLER® POWER SYSTEMS

KOHLER CO. KOHLER, WISCONSIN 53044
PHONE 414-565-3381, TELEX 26888
FAX 414-459-1646 (North American Sales), 414-459-1614 (International)
FOR SALES & SERVICE IN U.S.A. & CANADA PHONE 1-800-544-2444