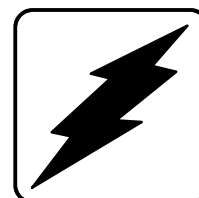


Service Parts

Automatic Transfer Switches



Models:

K Series

Contactor Service Parts

KOHLER[®]
POWER SYSTEMS

ISO 9001
KOHLER
GENERATORS
INTERNATIONALLY REGISTERED
U.S.A. Plant ISO Registered

TP-5645 5/97b

Table of Contents

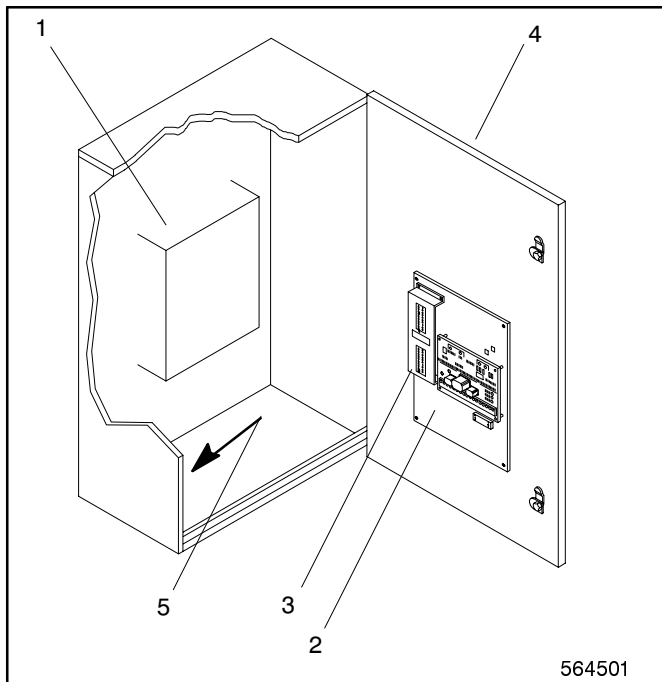
Description	Page	Description	Page
Introduction	2	Automatic Transfer and Bypass-Isolation Switch	32
Introduction	2	Contactors	32
Other Service Parts	2	150-400 Amp.	32
Standard Hardware and Leads	2	600-800 Amp.	34
How to find Part Numbers	2	1000-2000 Amp.	36
Consult Factory	2	Coils, Rectifiers, Resistors, Springs, and Service	38
Interpreting a Transfer Switch Part Number	3	Contactors	38
Automatic Transfer Switch Contactors	4		
30-104 Amps.	4		
150 Amp.	8		
225-400 Amp.	12		
600/800 Amp.	16		
1000/1200 Amp.	20		
1600/2000 Amp.	24		
3000/4000 Amp.	28		

Introduction

Use this catalog to locate contactor service parts for 30 to 4000 Amperes Automatic Transfer Switches. If service parts are needed for bypass-isolation switches, use the appropriate section of this catalog to locate service contactor for the transfer switch and consult factory for all other bypass-isolation contactor components.

Other Service Parts

A typical automatic transfer switch includes the transfer switch enclosure, contactor, inner panel, neutral lug, transformer, and accessories. See Figure 1.



1. Contactor
2. Inner Panel
3. Transformer
4. Enclosure (Includes decals)
5. Neutral Lug

Figure 1. Transfer Switch Components

This catalog does not contain service parts for the transfer switch enclosure, inner panel, neutral lug, transformer, and accessories. Locate these parts in appropriate parts catalog. See Figure 2.

Transfer Switch Logic	Publication
340, R340, S340	TP-5257
M340	TP-5503
R33	TP-5627

Figure 2. Transfer Switch Parts Catalogs

Standard Hardware and Leads

Procure standard hardware (identified as #) locally using description provided. Individual leads do not appear in this catalog. Most leads are available by ordering the appropriate wiring harness. Otherwise replacement will require fabrication using same type of stranded copper wire (gauge, color, length, identical terminals, and proper lead designation at each end).

How To Find Part Numbers

Follow the step-by-step instructions to determine the correct parts. An example is given with each step. For a complete description of the transfer switch part number, see Figure 4 "Interpreting a transfer switch part number".

Example: Need manual operating handle for 30 amp transfer switch.

1. Locate transfer switch part number on nameplate and record the part number. See Figure 3 for a sample nameplate with part number.
2. Determine amperage of the transfer switch. See "Explanation of Part Number" in Figure 4 to interpret the transfer switch part number.
3. Using the Table of Contents, locate the 30 amp. contactor section of this manual. Example: page 4.
4. Locate item on illustration. Example: item 11.
5. Locate item in parts list on opposite page. Example: Manual Operating Handle 296039.

When a quantity of more than one is used, a number in parentheses will precede the part number.

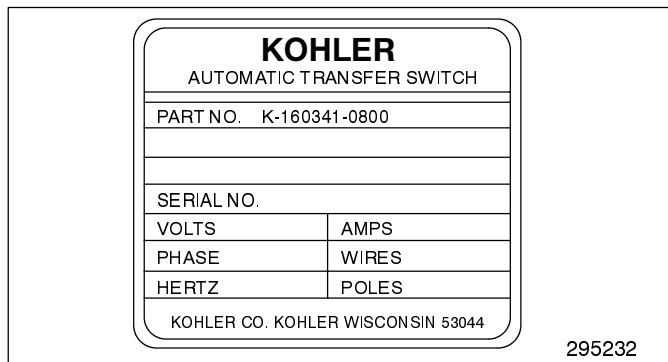


Figure 3. Transfer Switch Nameplate

Consult Factory

If part numbers indicate "Consult Factory," contact Kohler Co., Generator Division, Generator Service Parts Dept., Kohler, WI 53044.

Telephone (414) 565-3381.

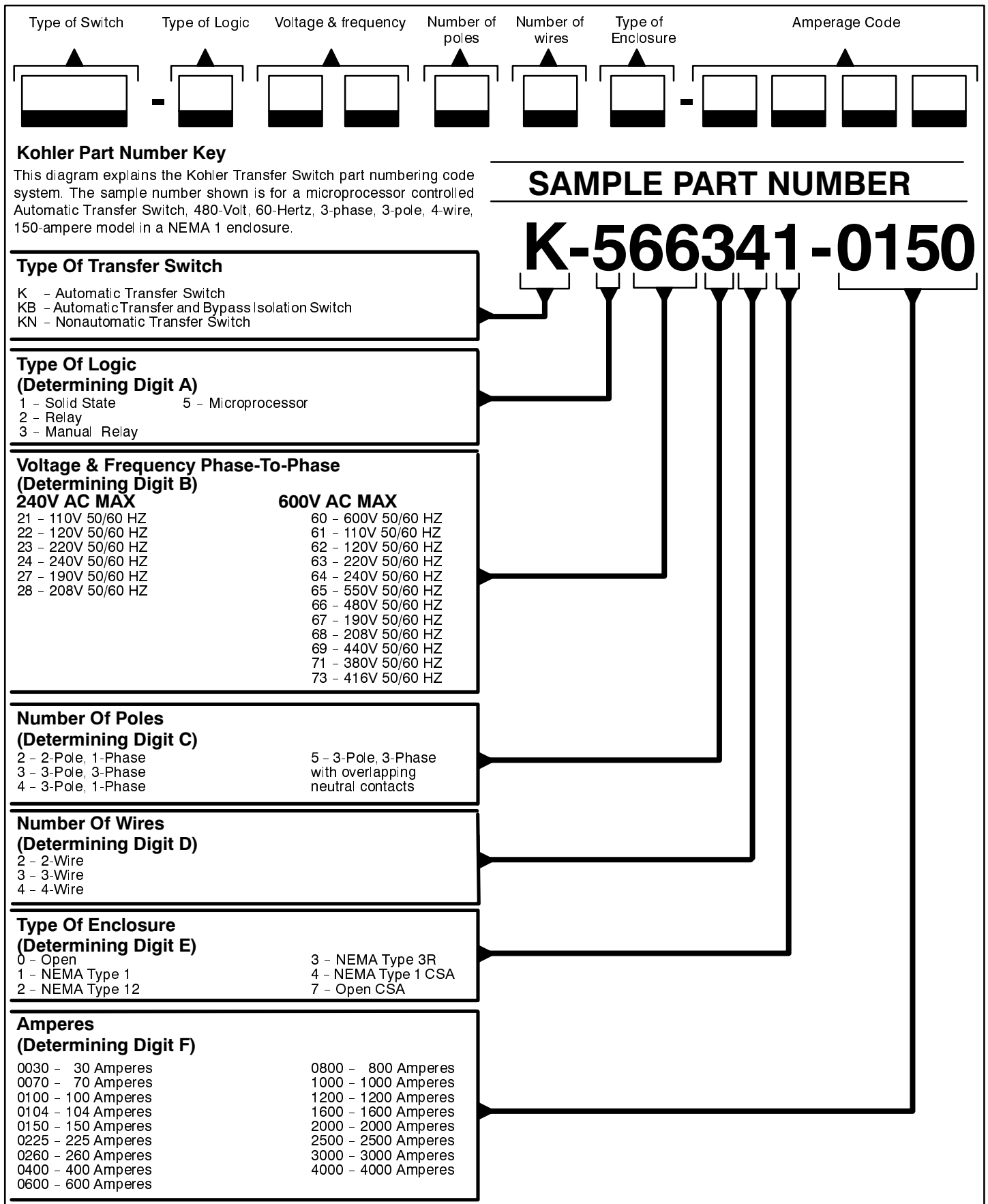


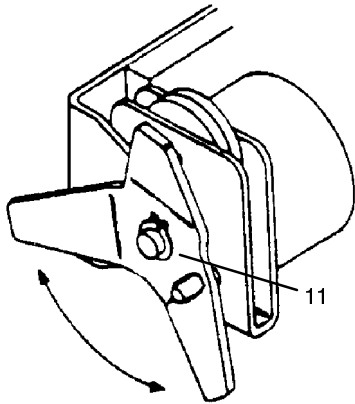
Figure 4. Interpreting a Transfer Switch Part Number

30-104 Amp

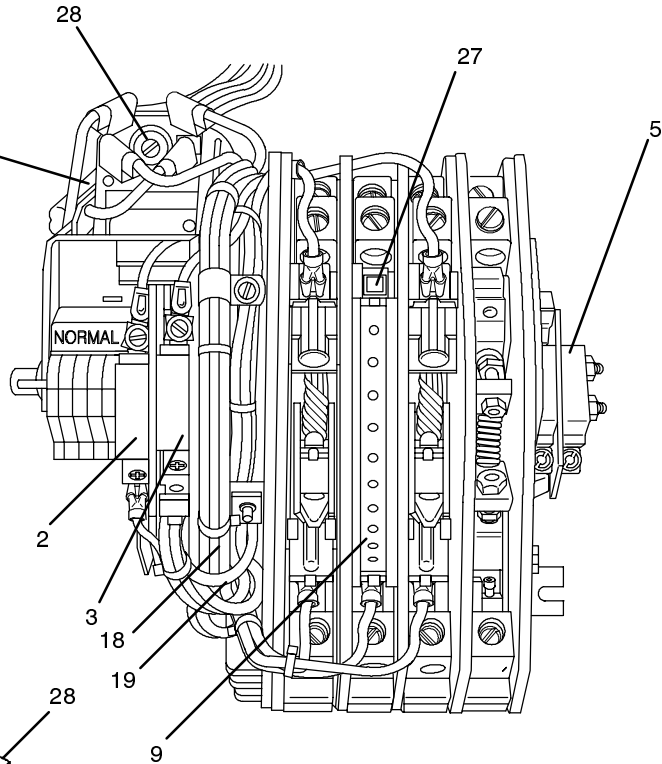
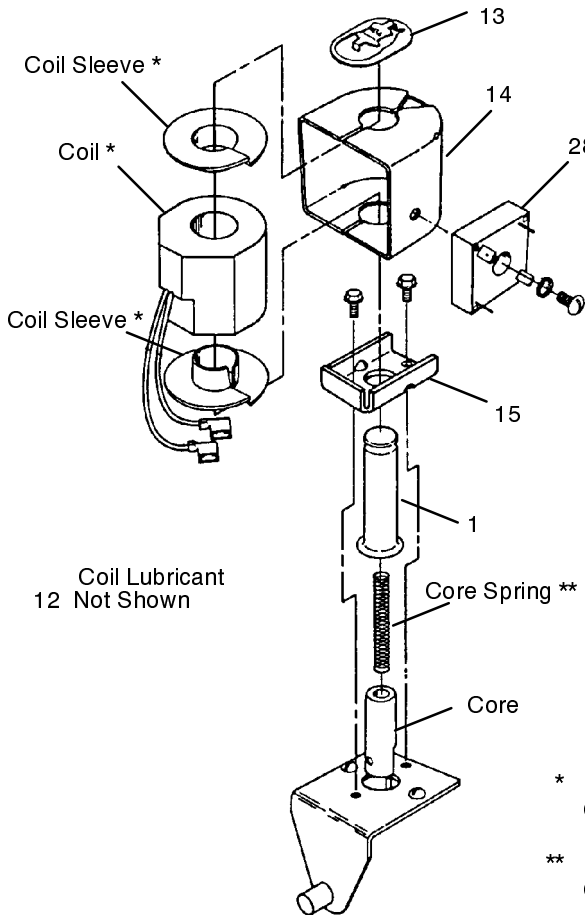
Part Number Key

K - ABCDE - FFFF

Amperage _____



10
Manual Operating Handle
(Not Shown)



* Part included in Coil Kit. See Contactor Assemblies and Components section for part number.

** Part included in Spring Kit. See Contactor Assemblies and Components section for part number.

30-104 Amp

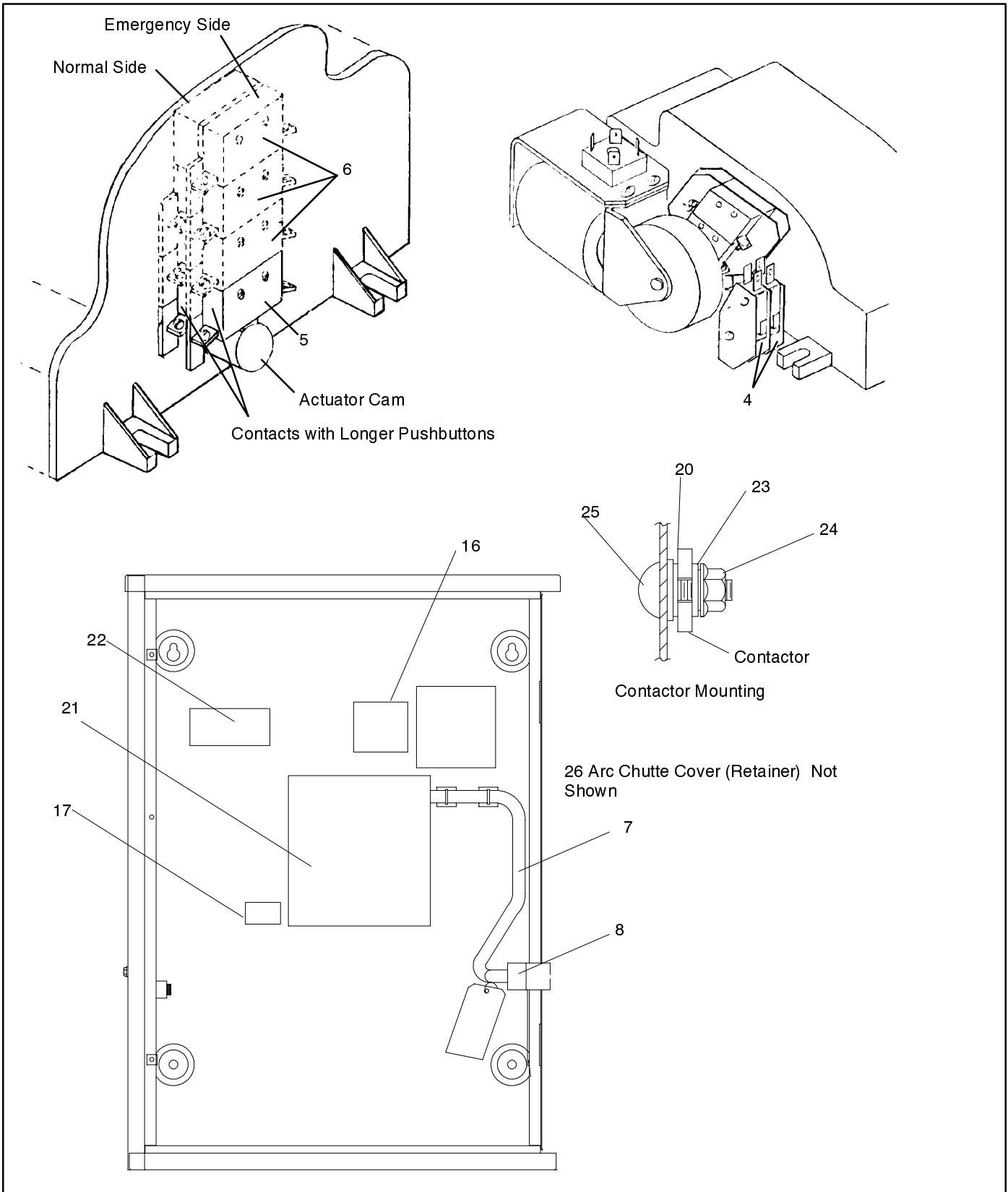
Item	Description	Part Number
1	Core Tube	296035
2	Coil Clearing Contacts Normal to Emergency	296221
3	Coil Clearing Contacts Emergency to Normal	296222
4	Miniature Contacts, standard (see note)	296064
5	Auxiliary Contacts, standard (600 Volt Class)	296066
6	Auxiliary Contacts, optional (600 Volt Class)	295166
7	Contact Harness	296069
8	Contact Harness, microprocessor logic models	320774
	Contact Harness Plug	295145
	Connector Pins, female	295259
	Connector Pins, gold plated (microprocessor logic models)	292838
9	Arc Chute, 250 Volt Class	296236
	600 Volt Class	296078
10	Manual Operating Handle	296039
11	Three-Point Operating Handle with Ring	296237
12	Coil Lubricant	296233
13	Core Tube Retaining Clip (Metal)	296240
14	Coil Yoke	296248
15	Core Tube Retainer with Hardware	296251
16	Decal, ATS Rating	
	30 Amp. (250 Volt Class)	294364
	30 Amp. (600 Volt Class)	294367
	70 Amp. (250 Volt Class)	294365
	70 Amp. (600 Volt Class)	294368
	100 Amp. (250 Volt Class)	294366
	104 Amp. (600 Volt Class)	294369
17	Engine Start Decal	297558
18	Tab, '3' Ident.	201620-29
19	Tab, '4' Ident.	201620-30
20	Retainer, 1/4" Bolt	(4) 295009
21	Protective Cap	297609
22	Protective Cover Decal	297610
23	Washer, 1/4" Lock	(4) #
24	Nut, 1/4-20	(4) #
25	Bolt, 1/4-20 x 1" Carriage	(4) 295008
26	Arc Chute Cover (Retainer), 2 Pole	296266
	3 Pole	296267
27	Arc Runner (Early Versions Only)	296074
28	Rectifier	294544
#	Standard hardware. Procure locally.	
Note:	Microprocessor logic models use gold plated contacts. Contact Kohler for part information.	

30-104 Amp

Part Number Key

K - ABCDE - FFFF

Amperage _____



30-104 Amp

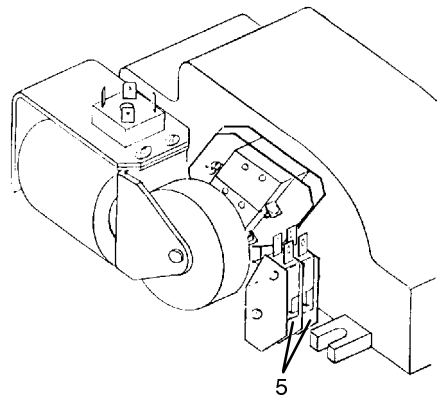
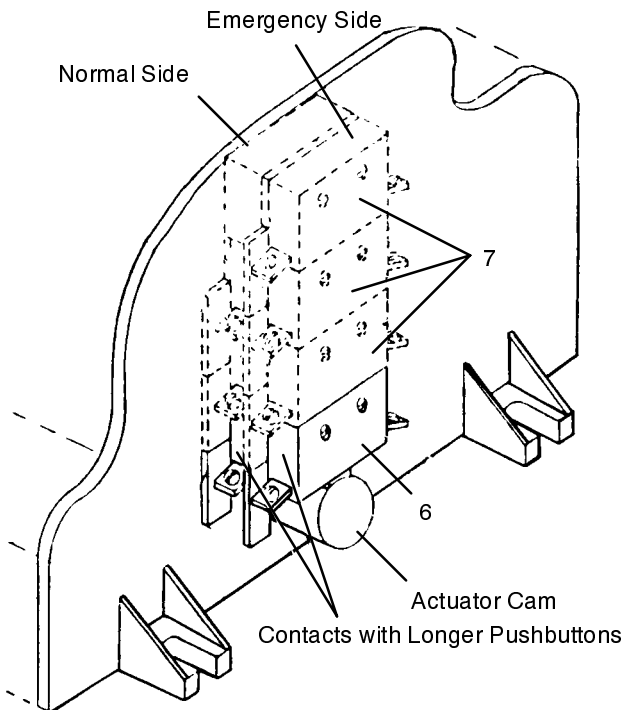
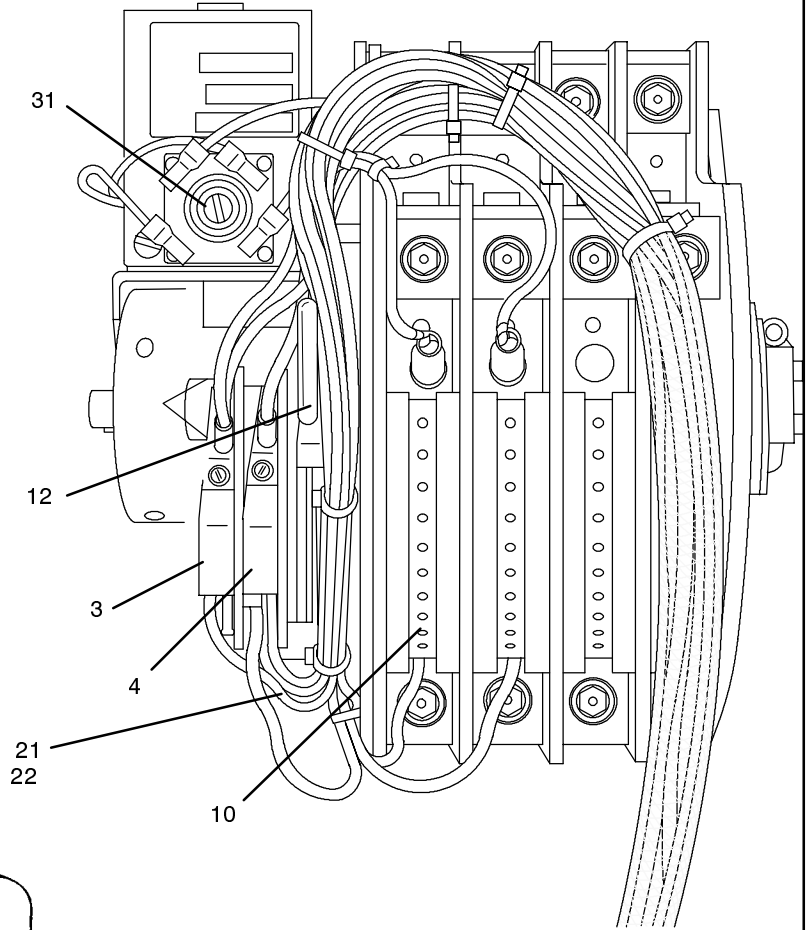
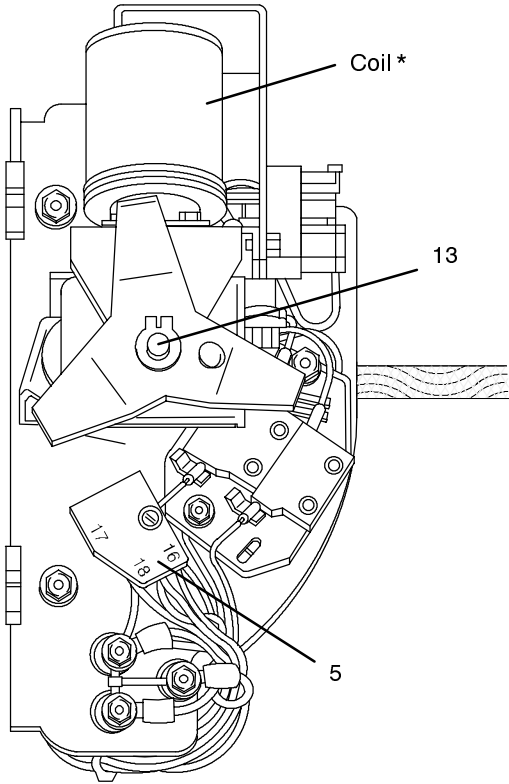
Item	Description	Part Number
1	Core Tube	296035
2	Coil Clearing Contacts Normal to Emergency	296221
3	Coil Clearing Contacts Emergency to Normal	296222
4	Miniature Contacts, standard (see note)	296064
5	Auxiliary Contacts, standard (600 Volt Class)	296066
6	Auxiliary Contacts, optional (600 Volt Class)	295166
7	Contact Harness	296069
8	Contact Harness, microprocessor logic models	320774
	Contact Harness Plug	295145
	Connector Pins, female	295259
	Connector Pins, gold plated (microprocessor logic models)	292838
9	Arc Chute, 250 Volt Class	296236
	600 Volt Class	296078
10	Manual Operating Handle	296039
11	Three-Point Operating Handle with Ring	296237
12	Coil Lubricant	296233
13	Core Tube Retaining Clip (Metal)	296240
14	Coil Yoke	296248
15	Core Tube Retainer with Hardware	296251
16	Decal, ATS Rating	
	30 Amp. (250 Volt Class)	294364
	30 Amp. (600 Volt Class)	294367
	70 Amp. (250 Volt Class)	294365
	70 Amp. (600 Volt Class)	294368
	100 Amp. (250 Volt Class)	294366
104 Amp. (600 Volt Class)	294369	
17	Engine Start Decal	297558
18	Tab, '3' Ident.	201620-29
19	Tab, '4' Ident.	201620-30
20	Retainer, 1/4" Bolt	(4) 295009
21	Protective Cap	297609
22	Protective Cover Decal	297610
23	Washer, 1/4" Lock	(4) #
24	Nut, 1/4-20	(4) #
25	Bolt, 1/4-20 x 1" Carriage	(4) 295008
26	Arc Chute Cover (Retainer), 2 Pole	296266
	3 Pole	296267
27	Arc Runner (Early Versions Only)	296074
28	Rectifier	294544
#	Standard hardware. Procure locally.	
Note:	Microprocessor logic models use gold plated contacts. Contact Kohler for part information.	

150 Amp

Part Number Key

K - ABCDE - FFFF

Amperage



* Part included in Coil Kit. See Contactor Assemblies and Components section for part number.

** Part included in Spring Kit. See Contactor Assemblies and Components section for part number.

150 Amp

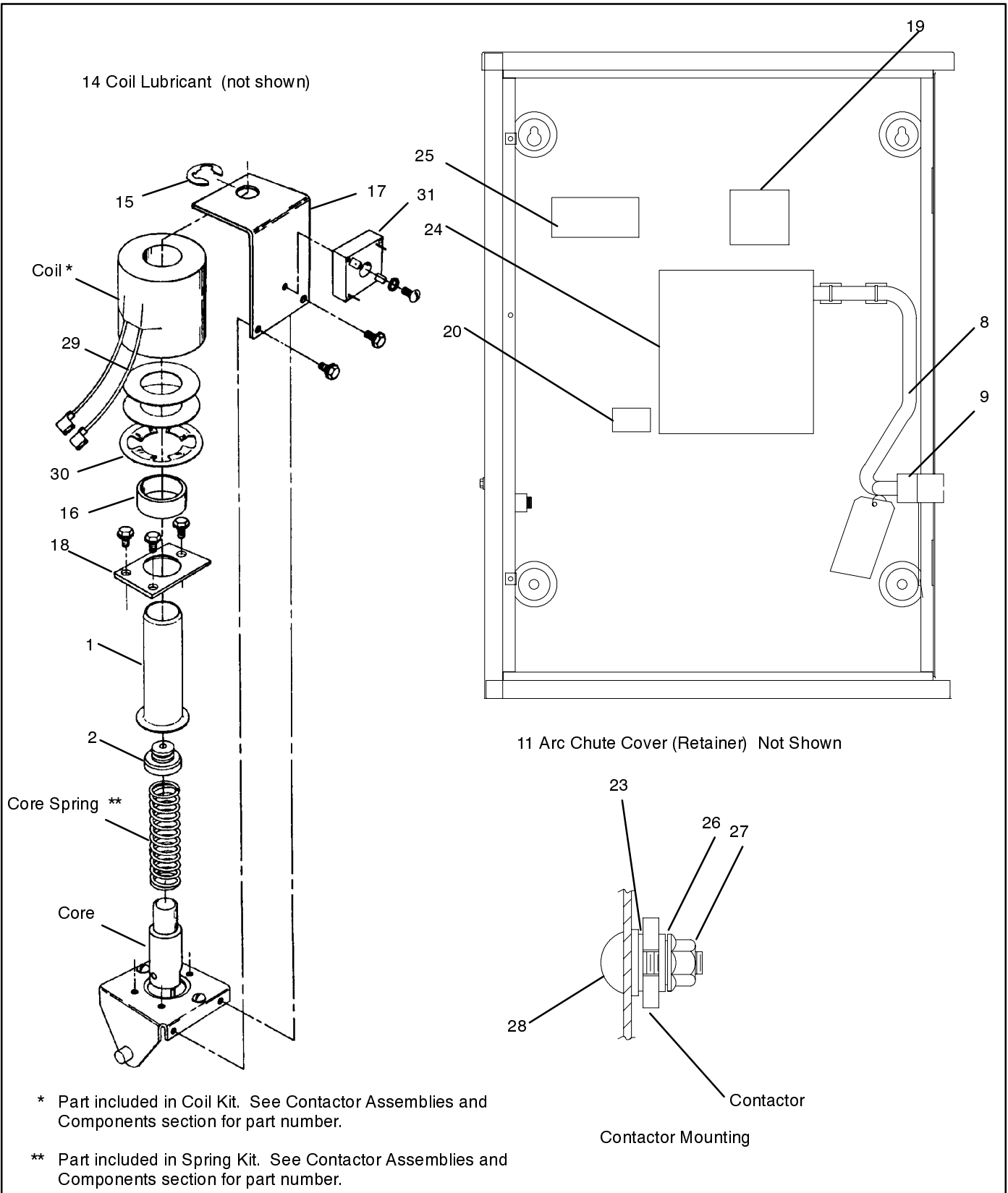
Item	Description	Part Number
1	Core Tube	296238
2	Stub Core	296243
3	Coil Clearing Contacts Normal to Emergency	296221
4	Coil Clearing Contacts Emergency to Normal	296222
5	Miniature Contacts, standard (see note)	296064
6	Auxiliary Contacts, standard	296066
7	Auxiliary Contacts, optional	295166
8	Contactorm Harness	296070
	Contactorm Harness, microprocessor logic models	320774
9	Contactorm Harness Plug	296145
	Connector Pins, female	295259
	Connector Pins, gold plated (microprocessor logic models)	292838
10	Arc Chute	296079
11	Arc Chute Cover (Retainer)	296250
12	Manual Operating Handle	296039
13	Three-Point Operating Handle with Ring	296237
14	Coil Lubricant	296233
15	Core Tube Retaining Ring	296241
16	Spacer Washer Ring	296245
17	L-Bracket	296249
18	Core Tube Retainer with Hardware	296252
19	Decal, ATS Rating	294370
20	Engine Start Decal	297558
21	Tab, '3' Ident.	201620-29
22	Tab, '4' Ident.	201620-30
23	Retainer, 1/4" Bolt	(4) 295009
24	Protective Cap	297609
25	Protective Cover Decal	297610
26	Washer, 1/4" Lock	(4) #
27	Nut, 1/4-20	(4) #
28	Bolt, 1/4-20 x 1" Carriage	(4) #
29	Washer, Spacer	296246
30	Washer, Spring	296256
31	Rectifier	294544
#	Standard hardware. Procure locally.	
Note:	Microprocessor logic models use gold plated contacts. Contact Kohler for part information.	

150 Amp

Part Number Key

K - ABCDE - FFFF

Amperage _____



* Part included in Coil Kit. See Contactor Assemblies and Components section for part number.

** Part included in Spring Kit. See Contactor Assemblies and Components section for part number.

150 Amp

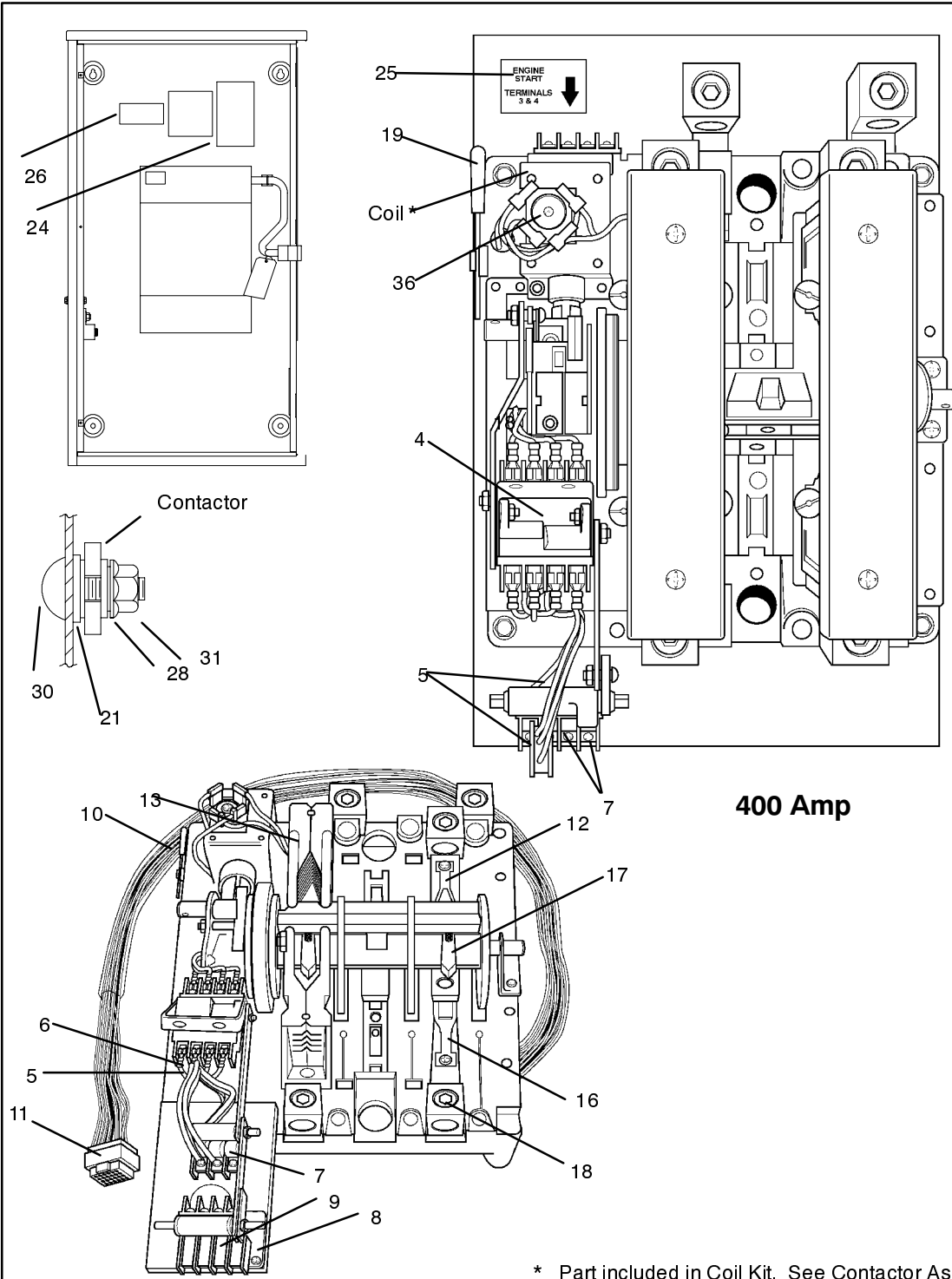
Item	Description	Part Number
1	Core Tube	296238
2	Stub Core	296243
3	Coil Clearing Contacts Normal to Emergency	296221
4	Coil Clearing Contacts Emergency to Normal	296222
5	Miniature Contacts, standard (see note)	296064
6	Auxiliary Contacts, standard	296066
7	Auxiliary Contacts, optional	295166
8	Contact Harness	296070
	Contact Harness, microprocessor logic models	320774
9	Contact Harness Plug	296145
	Connector Pins, female	295259
	Connector Pins, gold plated (microprocessor logic models)	292838
10	Arc Chute	296079
11	Arc Chute Cover (Retainer)	296250
12	Manual Operating Handle	296039
13	Three-Point Operating Handle with Ring	296237
14	Coil Lubricant	296233
15	Core Tube Retaining Ring	296241
16	Spacer Washer Ring	296245
17	L-Bracket	296249
18	Core Tube Retainer with Hardware	296252
19	Decal, ATS Rating	294370
20	Engine Start Decal	297558
21	Tab, '3' Ident.	201620-29
22	Tab, '4' Ident.	201620-30
23	Retainer, 1/4" Bolt	(4) 295009
24	Protective Cap	297609
25	Protective Cover Decal	297610
26	Washer, 1/4" Lock	(4) #
27	Nut, 1/4-20	(4) #
28	Bolt, 1/4-20 x 1" Carriage	(4) 295008
29	Washer, Spacer	296246
30	Washer, Spring	296256
31	Rectifier	294544
#	Standard hardware. Procure locally.	
Note:	Microprocessor logic models use gold plated contacts. Contact Kohler for part information.	

225-400 Amp

Part Number Key

K - ABCDE - FFFF

Amperage _____



* Part included in Coil Kit. See Contactor Assemblies and Components section for part number.

** Part included in Spring Kit. See Contactor Assemblies and Components section for part number.

225-400 Amp

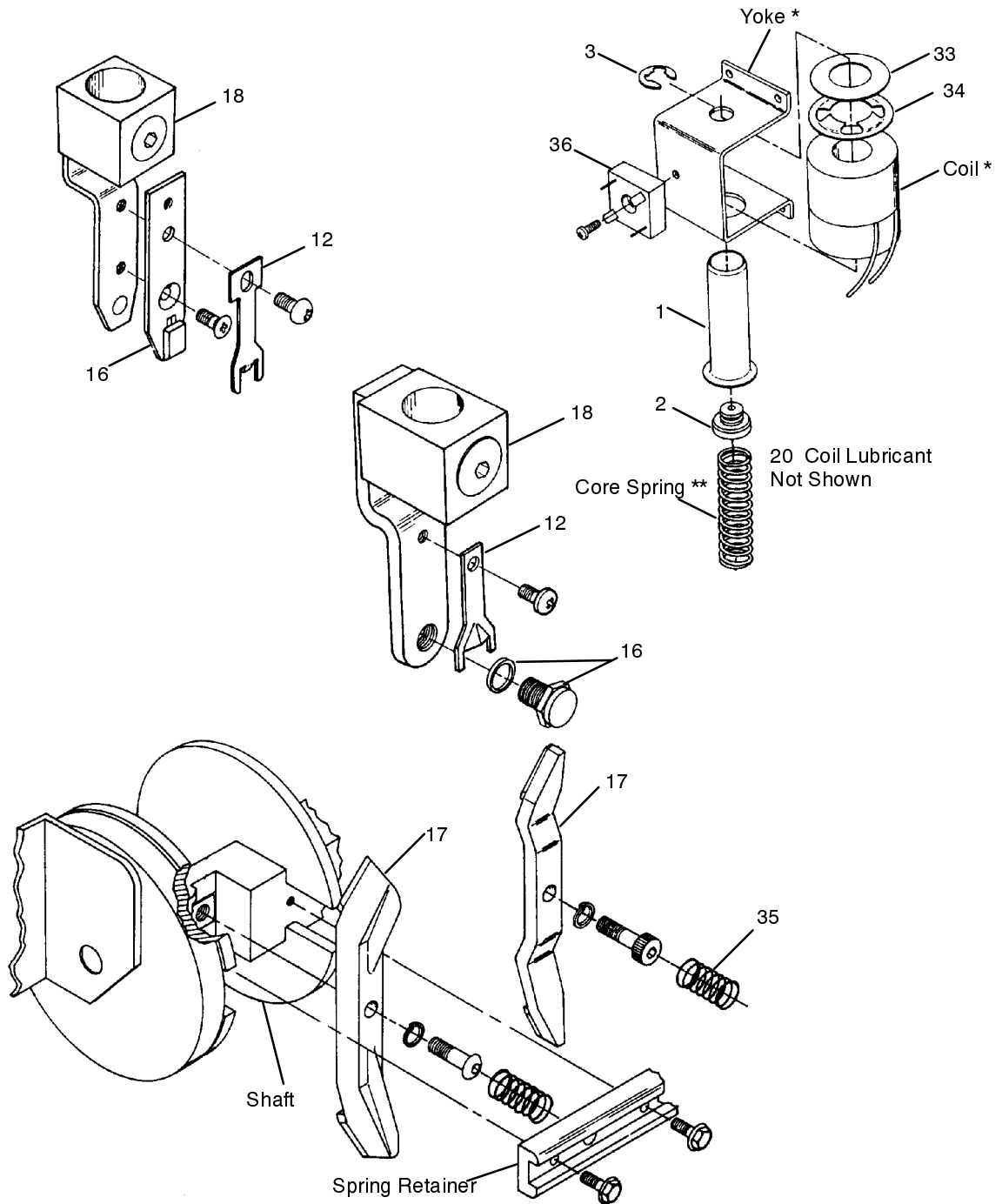
Item	Description	Part Number
1	Core Tube	296238
2	Stub Core	296243
3	Core Tube Retaining Ring	296241
4	Coil Clearing Contacts (Set of 4 Contacts)	296062
5	Miniature Contacts, standard (see note)	296065
6	Miniature Contacts, optional (see note)	295168
7	Auxiliary Contacts, standard	296067
8	Auxiliary Contacts, optional (Set of 4)	295167
9	Auxiliary Contacts, optional (Individual)	296067
10	Contactors Harness	296071
11	Contactors Harness, microprocessor logic models	320775
	Contactors Harness Plug	295145
	Connector Pins, female	295259
	Connector Pins, gold plated (microprocessor logic models)	292838
12	Arc Runner (225/260 Amp.)	296075
	Arc Runner (400 Amp.)	296076
13	Arc Chute (225/260 Amp.)	296080
	Arc Chute (400 Amp.)	296081
14	Movable Overlapping Neutral Transfer Contacts, 225/260 Amp. (not shown)	296085
	Movable Overlapping Neutral Transfer Contacts, 400 Amp. (not shown)	296247
15	Stationary Overlapping Neutral Transfer Contacts, 225/260 Amp. (not shown)	296088
	Stationary Overlapping Neutral Transfer Contacts, 400 Amp. (not shown)	296246
16	Stationary Main Contacts, including Arc Runner (225/260 Amp.)	296099
	Stationary Main Contacts, including Arc Runner/Spacer Ring (400A)	296100
17	Movable Main Contacts, 225/260 Amp. (Includes Item 35)	296107
	Movable Main Contacts, 400 Amp. (Includes Item 35)	296108
18	Contactors Lug (225/260 Amp.)	296009
	Contactors Lug (400 Amp.)	296010
19	Manual Operating Handle	296234
20	Coil Lubricant	296233
21	Retainer, 1/4" Bolt	(4) 295009
22	Tab, '3' Ident.	201620-29
23	Tab, '4' Ident.	201620-30
24	Decal, Contactors (225/260 Amp.)	295349
	Decal, Contactors (400 Amp.)	295367
25	Decal, Engine Start	297559
26	Decal, Protective Cover	297610
27	Washer, #10 Lock	#
28	Washer, 1/4" Lock	(4) #
29	Washer, 13/32 x 13/16 x 1/16" Plain	(4) #
30	Bolt, 1/4-20 x 1" Carriage	(4) #
31	Nut, 10-24	#
32	Nut, 1/4-20	(4) #
33	Washer, Spacer	296245
34	Washer, Spring	296256
35	Spring, Arcing Contact	296258
36	Rectifier	294544
#	Standard hardware. Procure locally.	
Note:	Microprocessor logic models use gold plated contacts. Contact Kohler for part information.	

225-400 Amp

Part Number Key

K - ABCDE - FFFF

Amperage



* Part included in Coil Kit. See Contactor Assemblies and Components section for part number.

** Part included in Spring Kit. See Contactor Assemblies and Components section for part number.

225-400 Amp

Item	Description	Part Number
1	Core Tube	296238
2	Stub Core	296243
3	Core Tube Retaining Ring	296241
4	Coil Clearing Contacts (Set of 4 Contacts)	296062
5	Miniature Contacts, standard (see note)	296065
6	Miniature Contacts, optional (see note)	295168
7	Auxiliary Contacts, standard	296067
8	Auxiliary Contacts, optional (Set of 4)	295167
9	Auxiliary Contacts, optional (Individual)	296067
10	Contactors Harness	296071
11	Contactors Harness, microprocessor logic models	320775
	Contactors Harness Plug	295145
	Connector Pins, female	295259
	Connector Pins, gold plated (microprocessor logic models)	292838
12	Arc Runner (225/260 Amp.)	296075
	Arc Runner (400 Amp.)	296076
13	Arc Chute (225/260 Amp.)	296080
	Arc Chute (400 Amp.)	296081
14	Movable Overlapping Neutral Transfer Contacts, 225/260 Amp. (not shown)	296085
	Movable Overlapping Neutral Transfer Contacts, 400 Amp. (not shown)	296247
15	Stationary Overlapping Neutral Transfer Contacts, 225/260 Amp. (not shown)	296088
	Stationary Overlapping Neutral Transfer Contacts, 400 Amp. (not shown)	296246
16	Stationary Main Contacts, including Arc Runner (225/260 Amp.)	296099
	Stationary Main Contacts, including Arc Runner/Spacer Ring (400A)	296100
17	Movable Main Contacts, 225/260 Amp. (Includes Item 35)	296107
	Movable Main Contacts, 400 Amp. (Includes Item 35)	296108
18	Contactors Lug (225/260 Amp.)	296009
	Contactors Lug (400 Amp.)	296010
19	Manual Operating Handle	296234
20	Coil Lubricant	296233
21	Retainer, 1/4" Bolt	(4) 295009
22	Tab, '3' Ident.	201620-29
23	Tab, '4' Ident.	201620-30
24	Decal, Contactors (225/260 Amp.)	295349
	Decal, Contactors (400 Amp.)	295367
25	Decal, Engine Start	297559
26	Decal, Protective Cover	297610
27	Washer, #10 Lock	#
28	Washer, 1/4" Lock	(4) #
29	Washer, 13/32 x 13/16 x 1/16" Plain	(4) #
30	Bolt, 1/4-20 x 1" Carriage	(4) #
31	Nut, 10-24	#
32	Nut, 1/4-20	(4) #
33	Washer, Spacer	296245
34	Washer, Spring	296256
35	Spring, Arcing Contact	296258
36	Rectifier	294544
#	Standard hardware. Procure locally.	
Note:	Microprocessor logic models use gold plated contacts. Contact Kohler for part information.	

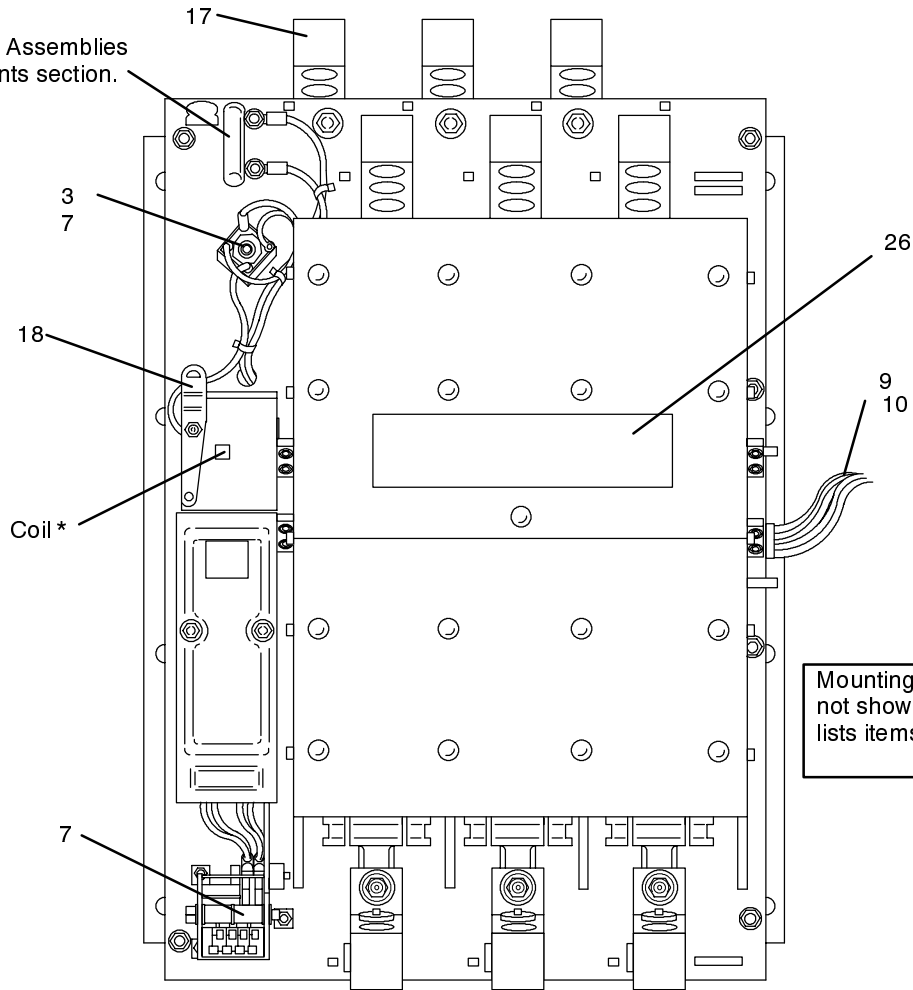
600/800 Amp

Part Number Key

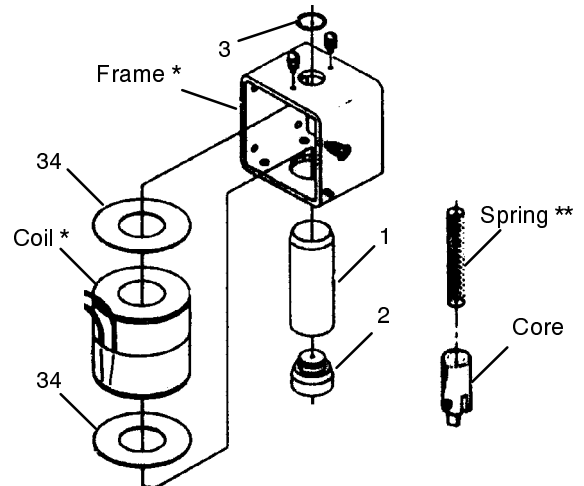
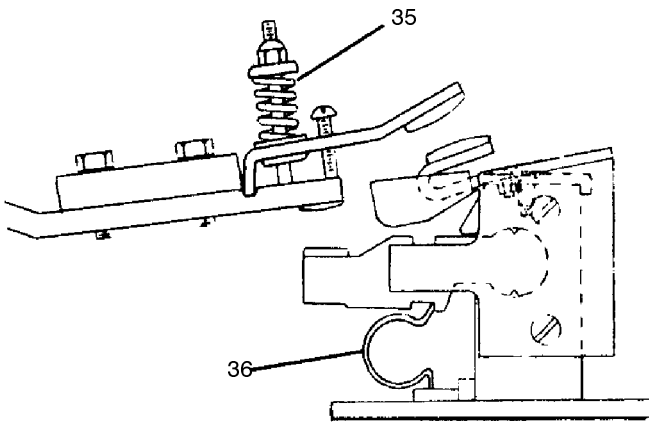
K - ABCDE - FFFF

Amperage _____

Resistor
See Contactor Assemblies
and Components section.



Mounting hardware
not shown. See parts
lists items 29-33



* Part included in Coil Kit. See Contactor Assemblies and Components section for part number.

** Part included in Spring Kit. See Contactor Assemblies and Components section for part number.

600/800 Amp

Item	Description	Part No.
1	Core Tube	296239
2	Stub Core	296244
3	Core Tube Retaining Ring	296242
4	Coil Clearing Contacts (transfer switch serial numbers before 55000)	296014
4	Coil Clearing Contacts (transfer switch serial numbers 55000 and after)	321991
5	Miniature Contacts, standard (transfer switch serial numbers before 55000)*	296228
5	Miniature Contacts, standard (transfer switch serial numbers 55000 and after)*	321992
6	Auxiliary Contacts, standard (transfer switch serial numbers before 55000)	296061
6	Auxiliary Contacts, standard (transfer switch serial numbers 55000 and after)	321993
7	Auxiliary Contacts, optional	295169
8	Auxiliary Contact Driver (Used to energize up to four contacts)	295170
9	Contactor Harness	296072
	Contactor Harness, microprocessor logic models	320776
10	Contactor Harness Plug	295145
	Connector Pins, female	295259
	Connector Pins, gold plated (microprocessor logic models)	292838
11	Arc Runner	296077
12	Arc Chute (transfer switch serial numbers before 55000)	296082
12	Arc Chute (transfer switch serial numbers 55000 and after)	321994
13	Movable Overlapping Neutral Transfer Contacts (600 Amp.)	296086
13	Movable Overlapping Neutral Transfer Contacts (800 Amp.)	296087
14	Stationary Overlapping Neutral Transfer Contacts	296089
15	Stationary Main Contacts (Includes Item 36)	See chart below
16	Movable Main Contacts	See chart below
17	Contactor Lug, (600 Amp.)	296012
17	Contactor Lug, (800 Amp.)	296013
18	Manual Operating Handle	296042
19	Stationary Arcing Contacts	See chart below
20	Movable Arcing Contacts (Includes Item 35)	See chart below
21	Coil Lubricant	296233
22	Contact Lubricant	296002
23	Tab, '3' Ident.	201620-29
24	Tab, '4' Ident.	201620-30
25	Retainer, 3/8" Bolt	(8)295025
26	Decal, Contactor	295099
27	Decal, Engine Start	297557
28	Decal, Protective Cover	297610
29	Washer, 3/8 x 7/64" Lock	(8) #
30	Washer, 3/8 x 5/64" Lock (600 Amp.)	#
30	Washer, 1/2" Lock (800 Amp.)	#
31	Nut, 3/8-16	(8) #
32	Nut, 3/8-24 (600 Amp.)	#
32	Nut, 1/2-13 (800 Amp.)	#
33	Bolt, 3/8-16 x 1" Carriage	#
34	Washer, Spacer	(2)296255
35	Spring, Arcing Contact	296259
36	Spring, Main Contact	296260
37	Rectifier	294544
#	Standard hardware. Procure locally.	
*	Microprocessor logic models use gold plated contacts. Contact Kohler for part information.	

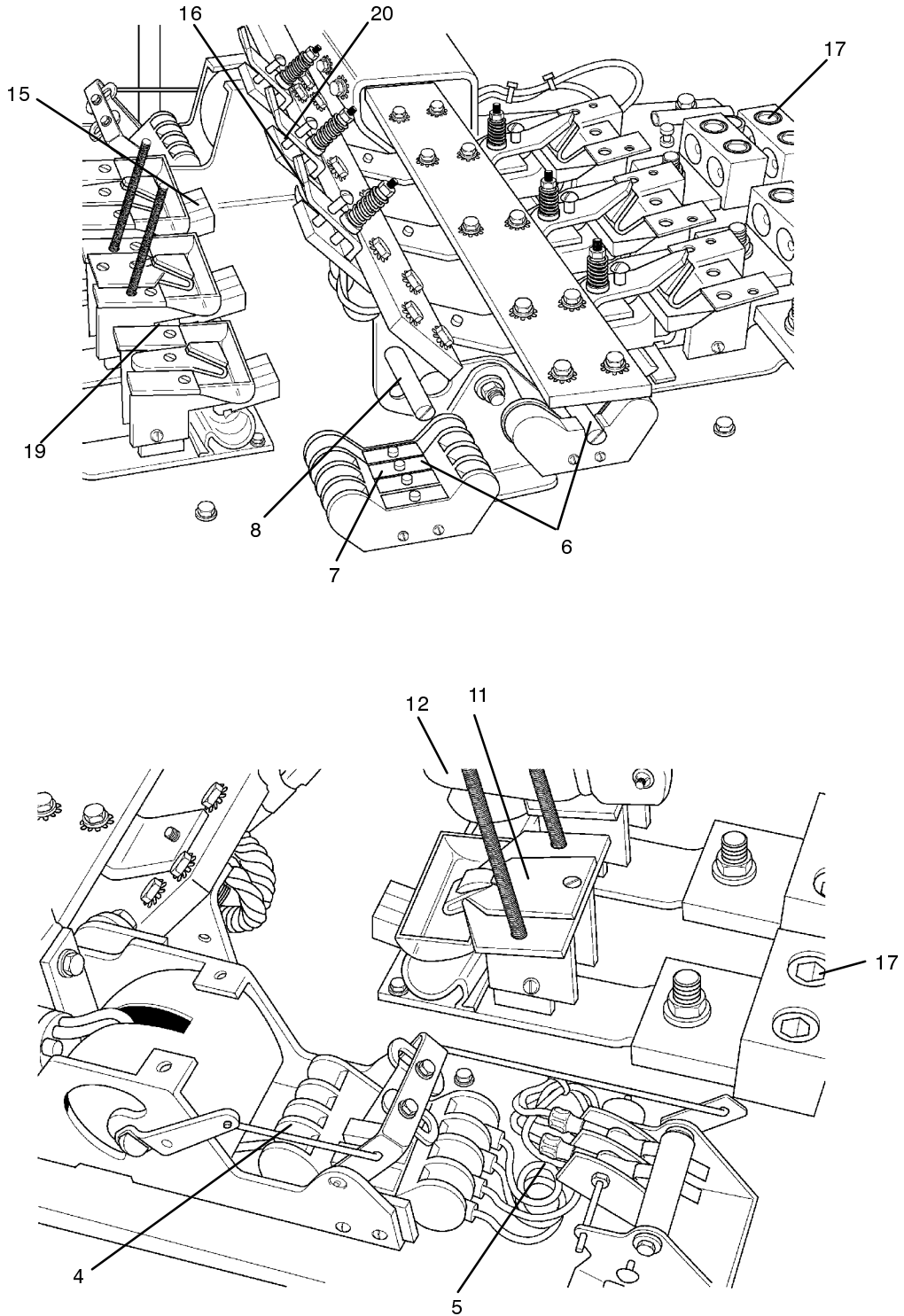
Item Number	Description	Part Number					
		Before Serial number 55000		Serial Number 55000 and after			
		600 Amp	800 Amp	600 Amp		800 Amp	
				2 Pole	3 Pole	2 Pole	3 Pole
15	Main Contact Kit	296101	296101	321983	321984	321987	321988
16	Movable Main Contacts	296109	296110	321983	321984	321987	321988
19	Arcing Contact Kit	296114	296114	321985	321986	321989	321990
20	Movable Arcing Contacts	296115	269115	321985	321986	321989	321990

600/800 Amp

Part Number Key

K - ABCDE - FFFF

Amperage



600/800 Amp

Item	Description	Part No.
1	Core Tube	296239
2	Stub Core	296244
3	Core Tube Retaining Ring	296242
4	Coil Clearing Contacts (transfer switch serial numbers before 55000)	296014
4	Coil Clearing Contacts (transfer switch serial numbers 55000 and after)	321991
5	Miniature Contacts, standard (transfer switch serial numbers before 55000)*	296228
5	Miniature Contacts, standard (transfer switch serial numbers 55000 and after)*	321992
6	Auxiliary Contacts, standard (transfer switch serial numbers before 55000)	296061
6	Auxiliary Contacts, standard (transfer switch serial numbers 55000 and after)	321993
7	Auxiliary Contacts, optional	295169
8	Auxiliary Contact Driver (Used to energize up to four contacts)	295170
9	Contactor Harness	296072
	Contactor Harness, microprocessor logic models	320776
10	Contactor Harness Plug	295145
	Connector Pins, female	295259
	Connector Pins, gold plated (microprocessor logic models)	292838
11	Arc Runner	296077
12	Arc Chute (transfer switch serial numbers before 55000)	296082
12	Arc Chute (transfer switch serial numbers 55000 and after)	321994
13	Movable Overlapping Neutral Transfer Contacts (600 Amp.)	296086
13	Movable Overlapping Neutral Transfer Contacts (800 Amp.)	296087
14	Stationary Overlapping Neutral Transfer Contacts	296089
15	Stationary Main Contacts (Includes Item 36)	See chart below
16	Movable Main Contacts	See chart below
17	Contactor Lug, (600 Amp.)	296012
17	Contactor Lug, (800 Amp.)	296013
18	Manual Operating Handle	296042
19	Stationary Arcing Contacts	See chart below
20	Movable Arcing Contacts (Includes Item 35)	See chart below
21	Coil Lubricant	296233
22	Contact Lubricant	296002
23	Tab, '3' Ident.	201620-29
24	Tab, '4' Ident.	201620-30
25	Retainer, 3/8" Bolt	(8)295025
26	Decal, Contactor	295099
27	Decal, Engine Start	297557
28	Decal, Protective Cover	297610
29	Washer, 3/8 x 7/64" Lock	(8) #
30	Washer, 3/8 x 5/64" Lock (600 Amp.)	#
30	Washer, 1/2" Lock (800 Amp.)	#
31	Nut, 3/8-16	(8) #
32	Nut, 3/8-24 (600 Amp.)	#
32	Nut, 1/2-13 (800 Amp.)	#
33	Bolt, 3/8-16 x 1" Carriage	#
34	Washer, Spacer	(2)296255
35	Spring, Arcing Contact	296259
36	Spring, Main Contact	296260
37	Rectifier	294544
# Standard hardware. Procure locally.		
* Microprocessor logic models use gold plated contacts. Contact Kohler for part information.		

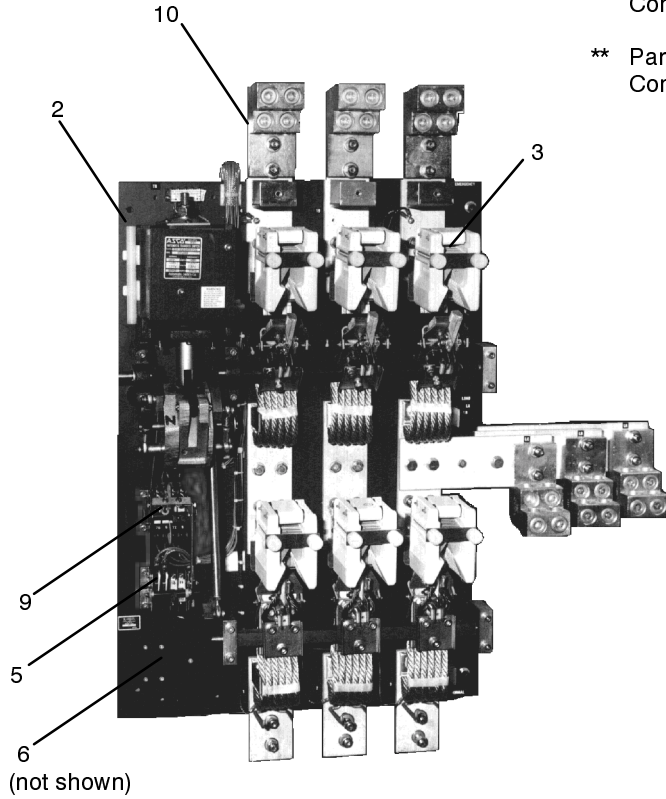
Item Number	Description	Part Number					
		Before Serial number 55000		Serial Number 55000 and after			
		600 Amp	800 Amp	600 Amp		800 Amp	
				2 Pole	3 Pole	2 Pole	3 Pole
15	Main Contact Kit	296101	296101	321983	321984	321987	321988
16	Movable Main Contacts	296109	296110	321983	321984	321987	321988
19	Arcing Contact Kit	296114	296114	321985	321986	321989	321990
20	Movable Arcing Contacts	296115	269115	321985	321986	321989	321990

1000/1200 Amp

Part Number Key

K - ABCDE - FFFF

Amperage _____



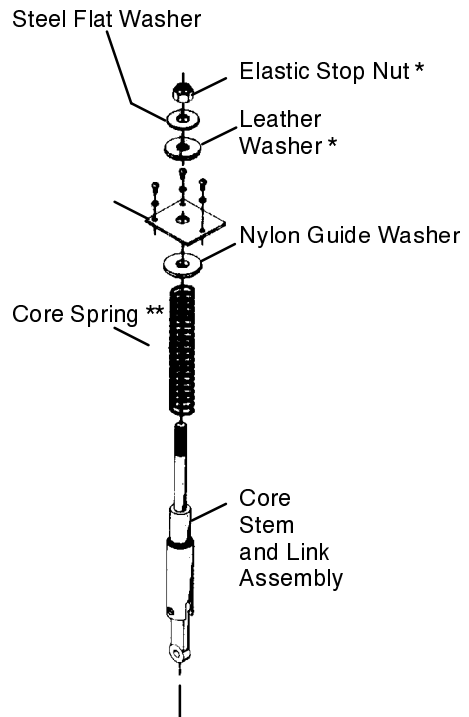
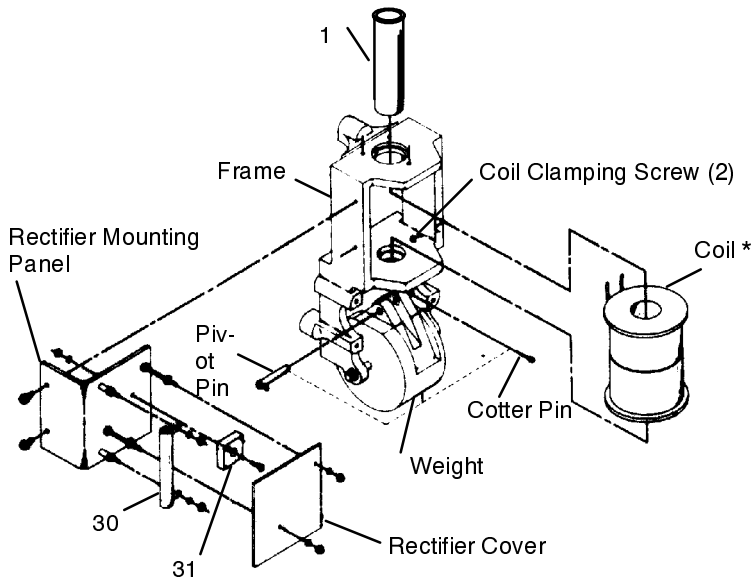
* Part included in Coil Kit. See Contactor Assemblies and Components section for part number.

** Part included in Spring Kit. See Contactor Assemblies and Components section for part number.

Contactor Harness and Plug:
See items 7 and 8 in parts list

Contactor Mounting Hardware:
See items 24-29

Contactor and Coil Lubricant:
See items 20 and 21.



1000/1200 Amp

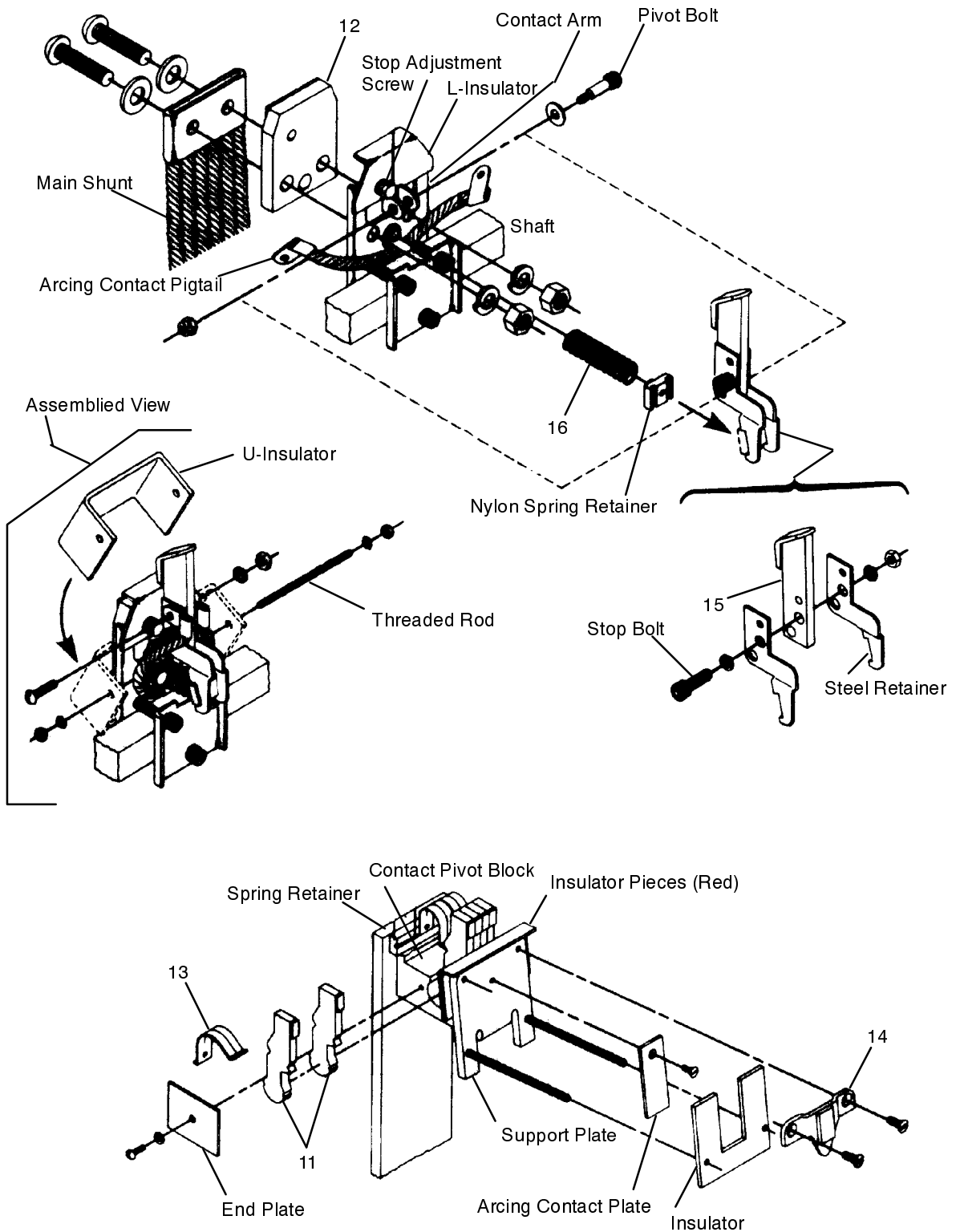
Item	Description	Part Number
1	Core Tube	*
2	Manual Operating Handle	296044
3	Arc Chute (not shown)	*
4	Arch Runner	*
5	Auxiliary Contacts	*
6	Miniature Contacts	*
7	Contactor Harness	*
8	Contactor Harness Plug	295145
9	Coil Clearing Contacts	*
10	Contactor Lug	*
11	Normal or Emergency Stationary Main Contacts (Includes Item 13)	*
12	Movable Main Contacts	*
13	Main Contact Spring	296262
14	Stationary Arcing Contacts	*
15	Movable Arcing Contacts (Includes Item 16)	*
16	Arcing Contact Spring	296261
17	Stationary Overlapping Neutral Transfer Contacts	*
18	Movable Overlapping Neutral Transfer Contacts	*
19	Overlapping Neutral Transfer Contact Spring	*
20	Contact Lubricant	296002
21	Coil Lubricant	296233
22	Decal, Protective Cover	297610
23	Decal, Contactor Ampere Capability	298472
24	Washer, 3/8" Internal Tooth Lock	#
25	Washer, 7/16" Lock	(8) #
26	Tie, 6" Cable	(6) #
27	Nut, 7/16-14 Hex	(8) #
28	Screw, 7/16-14 x 3/4" H.C.	(8) #
29	Nut, 3/8-16	#
* Contact Kohler with serial number of the contactor.		
# Standard hardware. Procure locally.		

1000/1200 Amp

Part Number Key

K - ABCDE - FFFF

Amperage _____



1000/1200 Amp

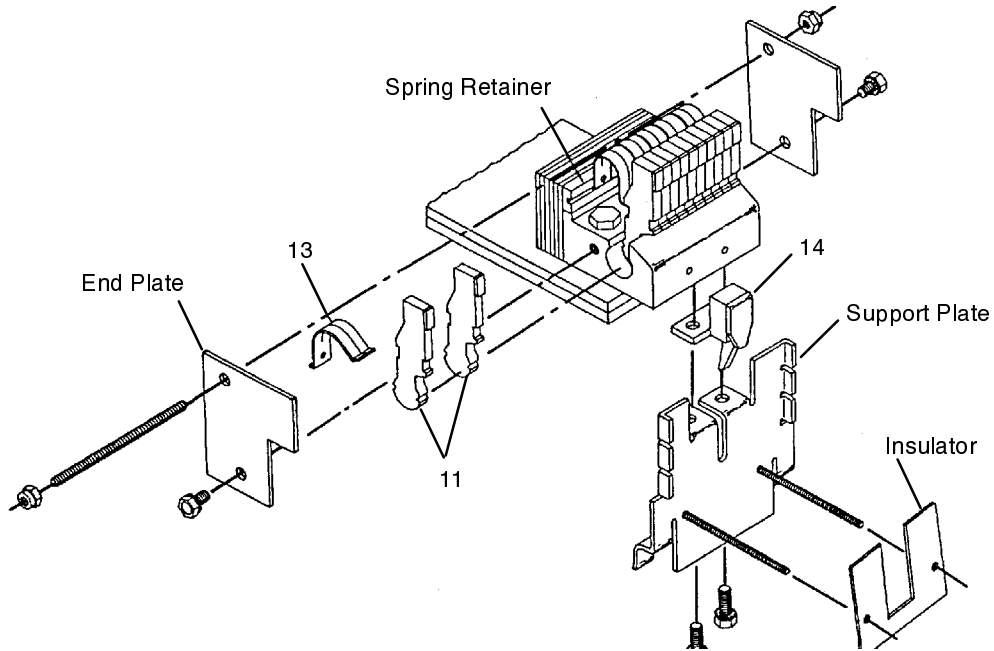
Item	Description	Part Number
1	Core Tube	*
2	Manual Operating Handle	296044
3	Arc Chute (not shown)	*
4	Arch Runner	*
5	Auxiliary Contacts	*
6	Miniature Contacts	*
7	Contact Harness	*
8	Contact Harness Plug	295145
9	Coil Clearing Contacts	*
10	Contact Lug	*
11	Normal or Emergency Stationary Main Contacts (Includes Item 13)	*
12	Movable Main Contacts	*
13	Main Contact Spring	296262
14	Stationary Arcing Contacts	*
15	Movable Arcing Contacts (Includes Item 16)	*
16	Arcing Contact Spring	296261
17	Stationary Overlapping Neutral Transfer Contacts	*
18	Movable Overlapping Neutral Transfer Contacts	*
19	Overlapping Neutral Transfer Contact Spring	*
20	Contact Lubricant	296002
21	Coil Lubricant	296233
22	Decal, Protective Cover	297610
23	Decal, Contactor Ampere Capability	298472
24	Washer, 3/8" Internal Tooth Lock	#
25	Washer, 7/16" Lock	(8) #
26	Tie, 6" Cable	(6) #
27	Nut, 7/16-14 Hex	(8) #
28	Screw, 7/16-14 x 3/4" H.C.	(8) #
29	Nut, 3/8-16	#
* Contact Kohler with serial number of the contactor.		
# Standard hardware. Procure locally.		

1600/2000 Amp

Part Number Key

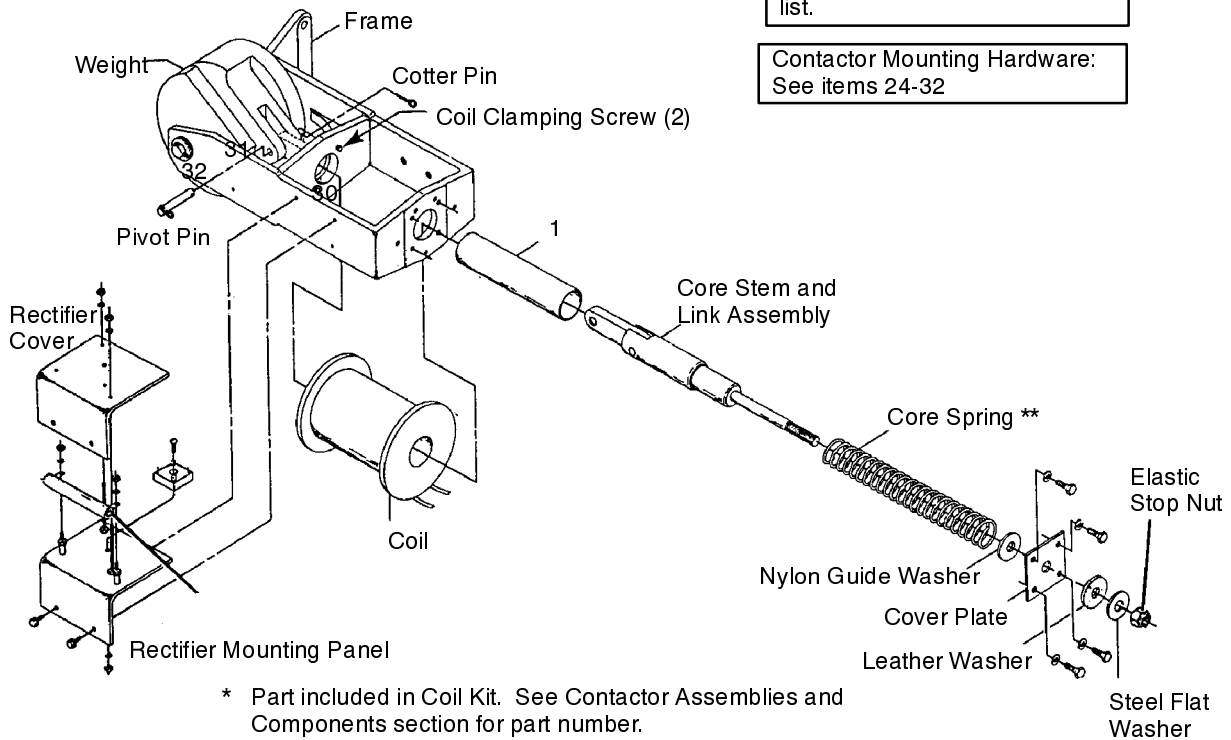
K - ABCDE - FFFF

Amperage _____



Contactor and Coil Lubricant:
See items 20 and 21 in parts list.

Contactor Mounting Hardware:
See items 24-32



* Part included in Coil Kit. See Contactor Assemblies and Components section for part number.

** Part included in Spring Kit. See Contactor Assemblies and Components section for part number.

1600/2000 Amp

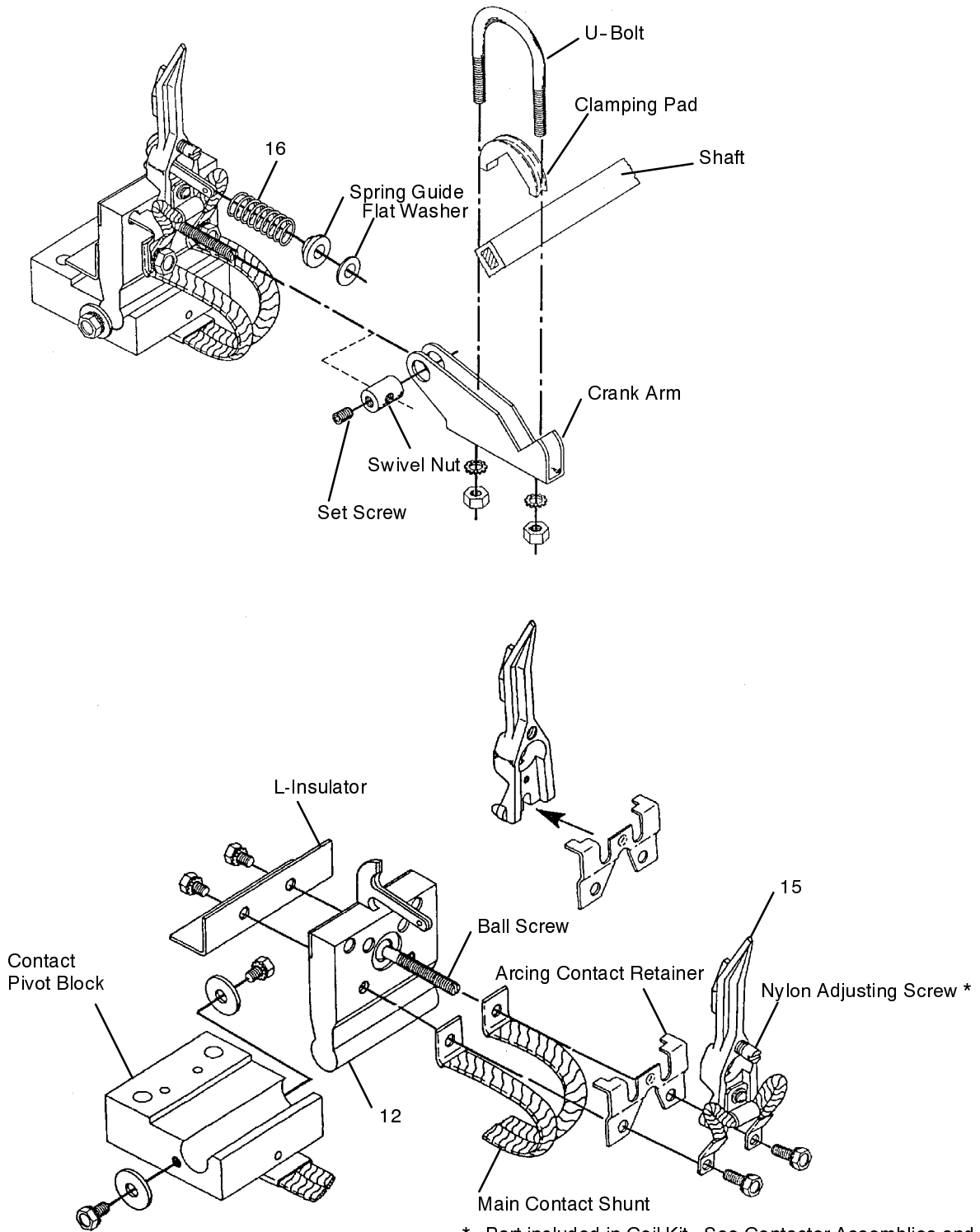
Item	Description	Part Number
1	Core Tube	*
2	Manual Operating Handle	296270
3	Arc Chute	*
4	Arc Runner	*
5	Auxiliary Contacts	*
6	Miniature Contacts	*
7	Contactorm Harness	*
8	Contactorm Harness Plug	295145
9	Coil Clearing Contacts	*
10	Contactorm Lug	*
11	Normal or Emergency Stationary Main Contacts (Includes Item 12)	*
12	Movable Main Contacts	*
13	Main Contact Spring	296264
14	Stationary Arcing Contacts	*
15	Movable Arcing Contacts (Includes Item 16)	*
16	Arcing Contact Spring	296263
17	Stationary Overlapping Neutral Transfer Contacts	*
18	Movable Overlapping Neutral Transfer Contacts	*
19	Overlapping Neutral Transfer Contact Spring	*
20	Contact Lubricant	296002
21	Coil Lubricant	296233
22	Decal, Protective Cover	297610
23	Decal, Contactorm Ampere Capability	298473
24	Washer, 3/8" Internal-External Tooth Lock	(2) #
25	Washer, #8 Internal-External Tooth Lock	
26	Washer, 7/16" Lock	(8) #
27	Insulink, 18-22 Ga.	#
28	Tie, 6" Cable	(6) #
29	Screw, #8-32 x 1/4"	#
30	Nut, 7/16-14 Hex	(8) #
31	Screw, 7/16-14 x 3/4" H.C.	(8) #
32	Nut, 3/8-16 Hex	(2) #
*	Contact Kohler with serial number of the contactorm.	
#	Standard hardware. Procure locally.	

1600/2000 Amp

Part Number Key

K - ABCDE - FFFF

Amperage _____



* Part included in Coil Kit. See Contactor Assemblies and Components section for part number.

** Part included in Spring Kit. See Contactor Assemblies and Components section for part number.

1600/2000 Amp

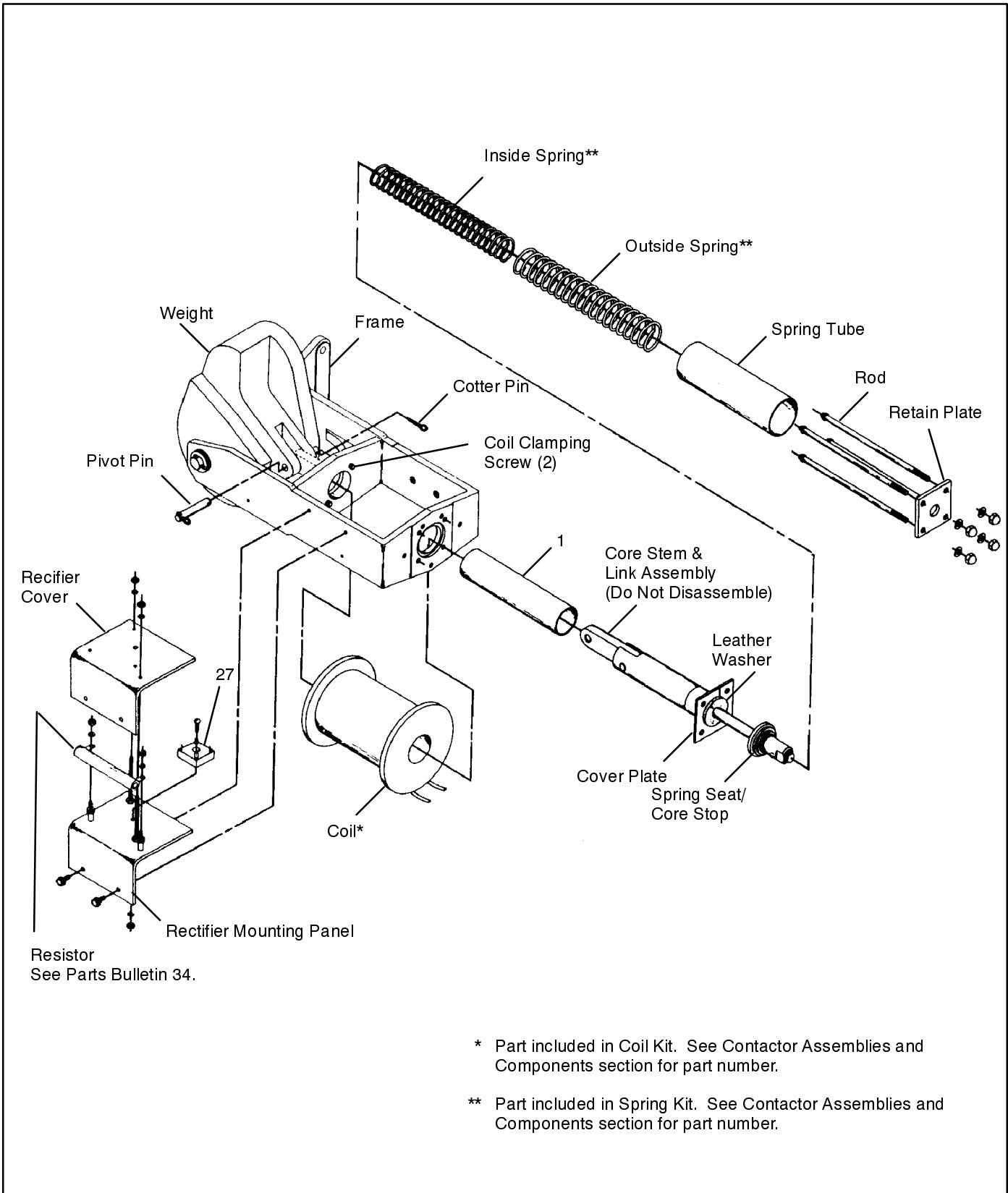
Item	Description	Part Number
1	Core Tube	*
2	Manual Operating Handle	296270
3	Arc Chute	*
4	Arc Runner	*
5	Auxiliary Contacts	*
6	Miniature Contacts	*
7	Contactorm Harness	*
8	Contactorm Harness Plug	295145
9	Coil Clearing Contacts	*
10	Contactorm Lug	*
11	Normal or Emergency Stationary Main Contacts (Includes Item 12)	*
12	Movable Main Contacts	*
13	Main Contact Spring	296264
14	Stationary Arcing Contacts	*
15	Movable Arcing Contacts (Includes Item 16)	*
16	Arcing Contact Spring	296263
17	Stationary Overlapping Neutral Transfer Contacts	*
18	Movable Overlapping Neutral Transfer Contacts	*
19	Overlapping Neutral Transfer Contact Spring	*
20	Contact Lubricant	296002
21	Coil Lubricant	296233
22	Decal, Protective Cover	297610
23	Decal, Contactorm Ampere Capability	298473
24	Washer, 3/8" Internal-External Tooth Lock	(2) #
25	Washer, #8 Internal-External Tooth Lock	
26	Washer, 7/16" Lock	(8) #
27	Insulink, 18-22 Ga.	#
28	Tie, 6" Cable	(6) #
29	Screw, #8-32 x 1/4"	#
30	Nut, 7/16-14 Hex	(8) #
31	Screw, 7/16-14 x 3/4" H.C.	(8) #
32	Nut, 3/8-16 Hex	(2) #
*	Contact Kohler with serial number of the contactorm.	
#	Standard hardware. Procure locally.	

3000/4000 Amp

Part Number Key

K - ABCDE - FFFF

Amperage _____



* Part included in Coil Kit. See Contactor Assemblies and Components section for part number.

** Part included in Spring Kit. See Contactor Assemblies and Components section for part number.

3000/4000 Amp

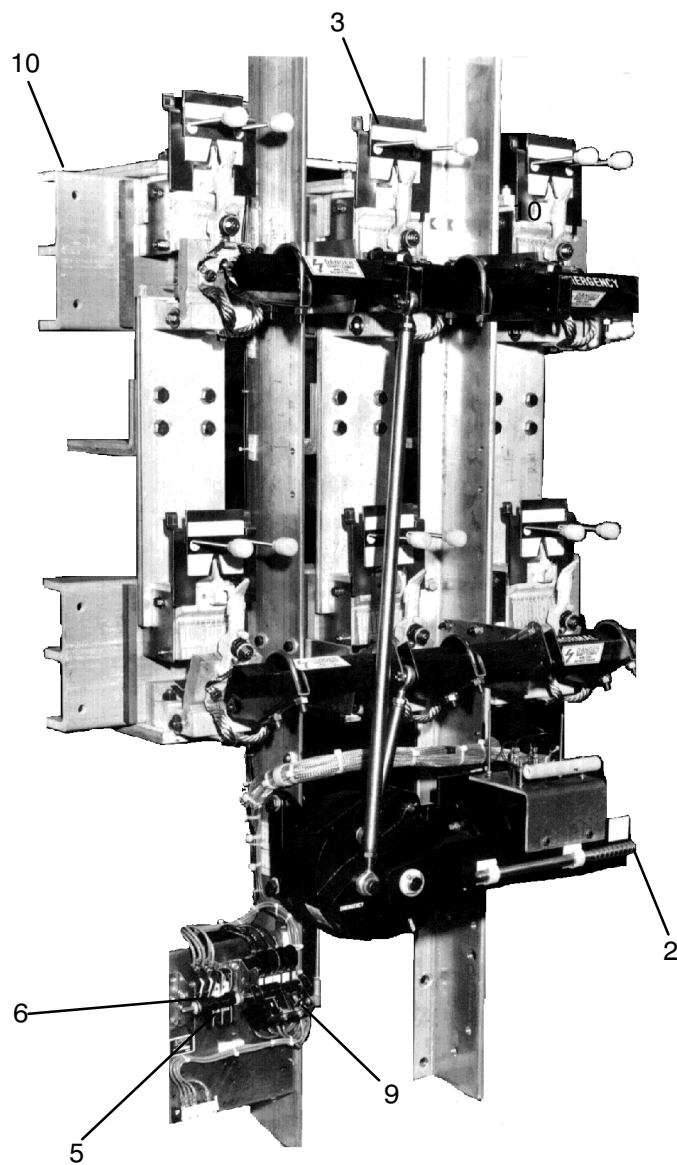
Item	Description	Part Number
1	Core Tube	*
2	Manual Operating Handle	296272
3	Arc Chute	*
4	Arc Runner	*
5	Auxiliary Contacts	*
6	Miniature Contacts	*
7	Contacto Harness	*
8	Contacto Harness Plug	295145
9	Coil Clearing Contacts	*
10	Contacto Lug	*
11	Normal or Emergency Stationary Main Contacts	*
12	Movable Main Contacts	*
13	Main Contact Spring, 3000 Amp.	296264
	Main Contact Spring, 4000 Amp.	296265
14	Stationary Arcing Contacts	*
15	Movable Arcing Contacts	*
16	Arcing Contact Spring	296263
17	Stationary Overlapping Neutral Transfer Contacts	*
18	Movable Overlapping Neutral Transfer Contacts	*
19	Overlapping Neutral Transfer Contact Spring	*
20	Contact Lubricant	296002
21	Coil Lubricant	296233
22	Decal, Protective Cover	297610
23	Washer, 1/2" Lock	(8) #
24	Nut, 1/2-13 Hex	(8) #
25	Screw, 1/2-13 x 3/4" H.C.	(8) #
26	Decal, Ampere Capability Rating	297734
27	Rectifier	294544
*	Contact Kohler with serial number of the contactor.	
#	Standard hardware. Procure locally.	

3000/4000 Amp

Part Number Key

K - ABCDE - FFFF

Amperage _____



7 Contactor Harness
(not Shown)

3000/4000 Amp

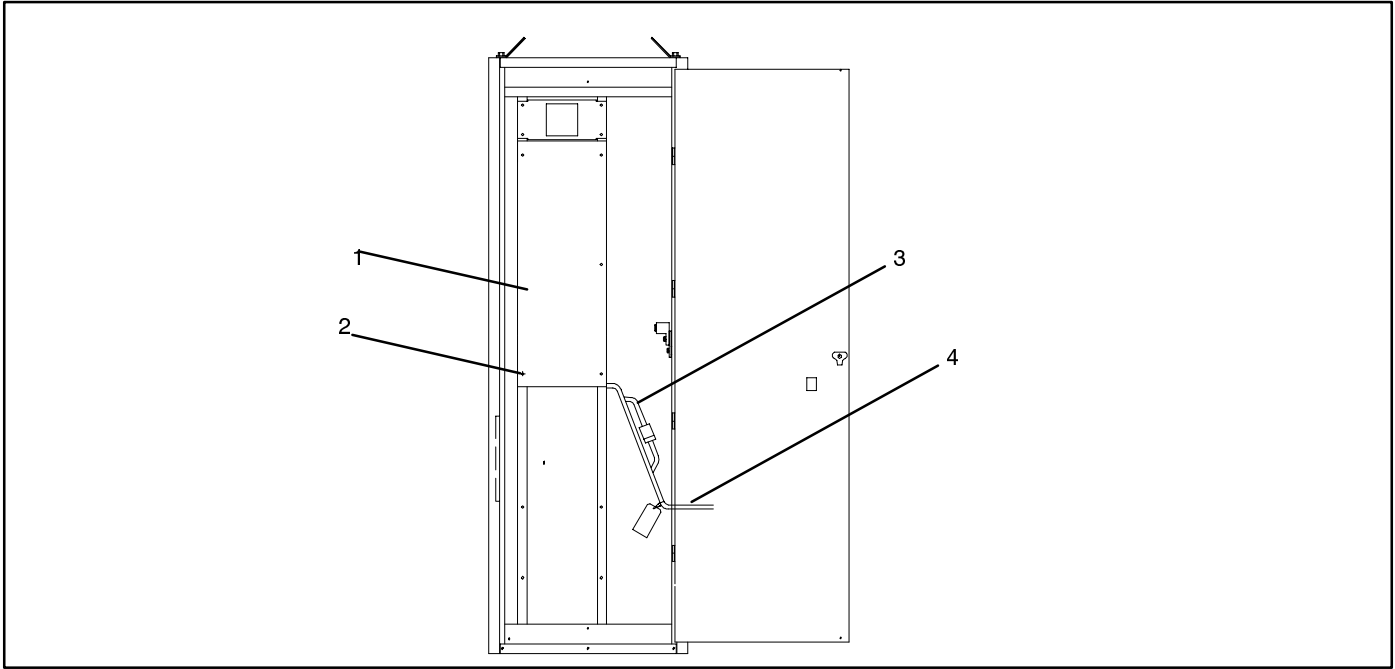
Item	Description	Part Number
1	Core Tube	*
2	Manual Operating Handle	296272
3	Arc Chute	*
4	Arc Runner	*
5	Auxiliary Contacts	*
6	Miniature Contacts	*
7	Contacto Harness	*
8	Contacto Harness Plug	295145
9	Coil Clearing Contacts	*
10	Contacto Lug	*
11	Normal or Emergency Stationary Main Contacts	*
12	Movable Main Contacts	*
13	Main Contact Spring, 3000 Amp.	296264
	Main Contact Spring, 4000 Amp.	296265
14	Stationary Arcing Contacts	*
15	Movable Arcing Contacts	*
16	Arcing Contact Spring	296263
17	Stationary Overlapping Neutral Transfer Contacts	*
18	Movable Overlapping Neutral Transfer Contacts	*
19	Overlapping Neutral Transfer Contact Spring	*
20	Contact Lubricant	296002
21	Coil Lubricant	296233
22	Decal, Protective Cover	297610
23	Washer, 1/2" Lock	(8) #
24	Nut, 1/2-13 Hex	(8) #
25	Screw, 1/2-13 x 3/4" H.C.	(8) #
26	Decal, Ampere Capability Rating	297734
27	Rectifier	294544
*	Contact Kohler with serial number of the contactor.	
#	Standard hardware. Procure locally.	

150-260 Amp

Automatic Transfer and Bypass-Isolation Switch

Part Number Key
K - ABBCDE - FFFF

Amperage _____



Automatic Transfer and Bypass-Isolation Switch

150-400 Amp

Item 1, Contactor Assembly

Amps	Volts	Poles	Item 1 Contactor Assembly R340 and S340 only	Item 1 Contactor Assembly M340
150	110-120	2		A-260480
150	110-120	3		A-260140
150	110-120	3*		A-260158
150	190-208	2		A-260481
150	190-208	3	B-294154	A-260141
150	190-208	3*	B-294156	A-260159
150	220-240	2	B-294153	A-260482
150	220/240	3	B-297361	A-260142
150	220/240	3*		A-260160
150	380-416	2		A-260483
150	380-416	3		A-260142
150	380-416	3*		A-260161
150	440-480	2		A-260484
150	440-480	3	B-294155	A-260144
150	440-480	3*	B-297727	A-260162
150	550-600	2		A-260485
150	550-600	3		A-260145
150	550-600	3*		A-260163
260	110-120	2		A-260254
260	110-120	3		A-260326
260	110-120	3*		A-260332
260	190-208	2		A-260255
260	190-208	3	B-294158	A-260327
260	190-208	3*	B-294160	A-260333
260	220-240	2	B-294157	A-260256
260	220/240	3	B-297362	A-260328
260	220/240	3*		A-260334

Amps	Volts	Poles	Item 1 Contactor Assembly R340 and S340 only	Item 1 Contactor Assembly M340
260	380-416	2		A-260257
260	380-416	3		A-260329
260	380-416	3*		A-260335
260	440-480	2		A-260324
260	440-480	3	B-294159	A-260330
260	440-480	3*	B-294168	A-260336
260	550-600	2		A-260325
260	550-600	3	B-294570	A-260331
260	550-600	3*	B-320493	A-260337
400	110-120	2	B-294161	A-260338
400	110-120	3		A-260344
400	110-120	3*		A-260350
400	190-208	2		A-260339
400	190-208	3	B-294162	A-260345
400	190-208	3*	B-294164	A-260351
400	220-240	2	B-294807	A-260340
400	220/240	3		A-260346
400	220/240	3*		A-260352
400	380-416	2		A-260341
400	380-416	3		A-260347
400	380-416	3*		A-260353
400	440-480	2		A-260342
400	440-480	3	B-294163	A-260348
400	440-480	3*	B-294273	A-260354
400	550-600	2		A-260343
400	550-600	3		A-260349
400	550-600	3*		A-260355

* With overlapping neutral

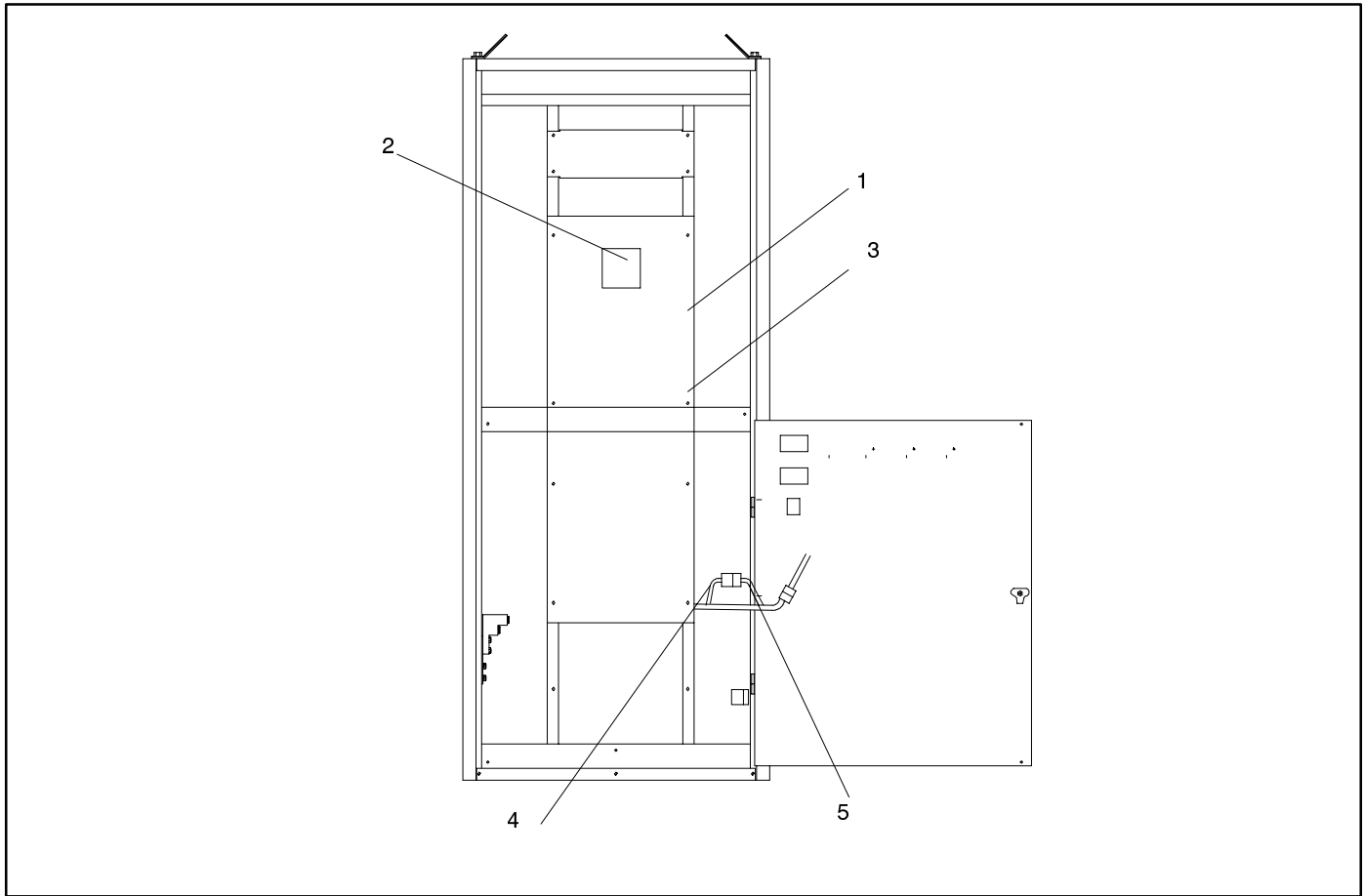
Item	Description	Part Number
2	3/8-16 Hardware (5)	#
3	Harness, wiring (contactor to connector jack)	298686
4	Harness, wiring (connector plug to plug P1) non-microprocessor	298687
4	Harness, wiring (connector plug to plug P1) microprocessor only	294873
# Standard hardware. Procure locally.		

600-800 Amp

Automatic Transfer and Bypass-Isolation Switch

Part Number Key
K - ABBCDE - FFFF

Amperage _____



Automatic Transfer and Bypass-Isolation Switch

600-800 Amp

Item 1, Contactor Assembly

Amps	Volts	Poles	Item 1 Contactor Assembly R340 and S340 only	Item 1 Contactor Assembly M340
600	110-120	2	C-297849	A-260356
600	110-120	3		A-260362
600	110-120	3*		A-260368
600	190-208	2		A-260357
600	190-208	3	C-294270	A-260363
600	190-208	3 *	C-294271	A-260369
600	220-240	2	C-294269	A-260358
600	220-240	3		A-260364
600	220-240	3*		A-260370
600	380-416	2		A-260359
600	380-416	3		A-260365
600	380-416	3*		A-260371
600	440-480	2		A-260360
600	440-480	3	C-297850	A-260366
600	440/480	3 *	C-297851	A-260372
600	550-600	2		A-260361
600	550-600	3		A-260367
600	550-600	3*		A-260373

Amps	Volts	Poles	Item 1 Contactor Assembly R340 and S340 only	Item 1 Contactor Assembly M340
800	110-120	2		A-260374
800	110-120	3	C-297852	A-260380
800	110-120	3*		A-260386
800	190-208	2		A-260375
800	190-208	3	C-297728	A-260381
800	190-208	3 *	C-294272	A-260387
800	220-240	2		A-260376
800	220-240	3		A-260382
800	220-240	3*		A-260388
800	380-416	2		A-260377
800	380-416	3		A-260383
800	380-416	3*		A-260389
800	440-480	2		A-260378
800	440-480	3	C-297853	A-260384
800	440-480	3 *	C-297854	A-260390
800	550-600	2		A-260379
800	550-600	3		A-260385
800	550-600	3*		A-260391

* With overlapping neutral

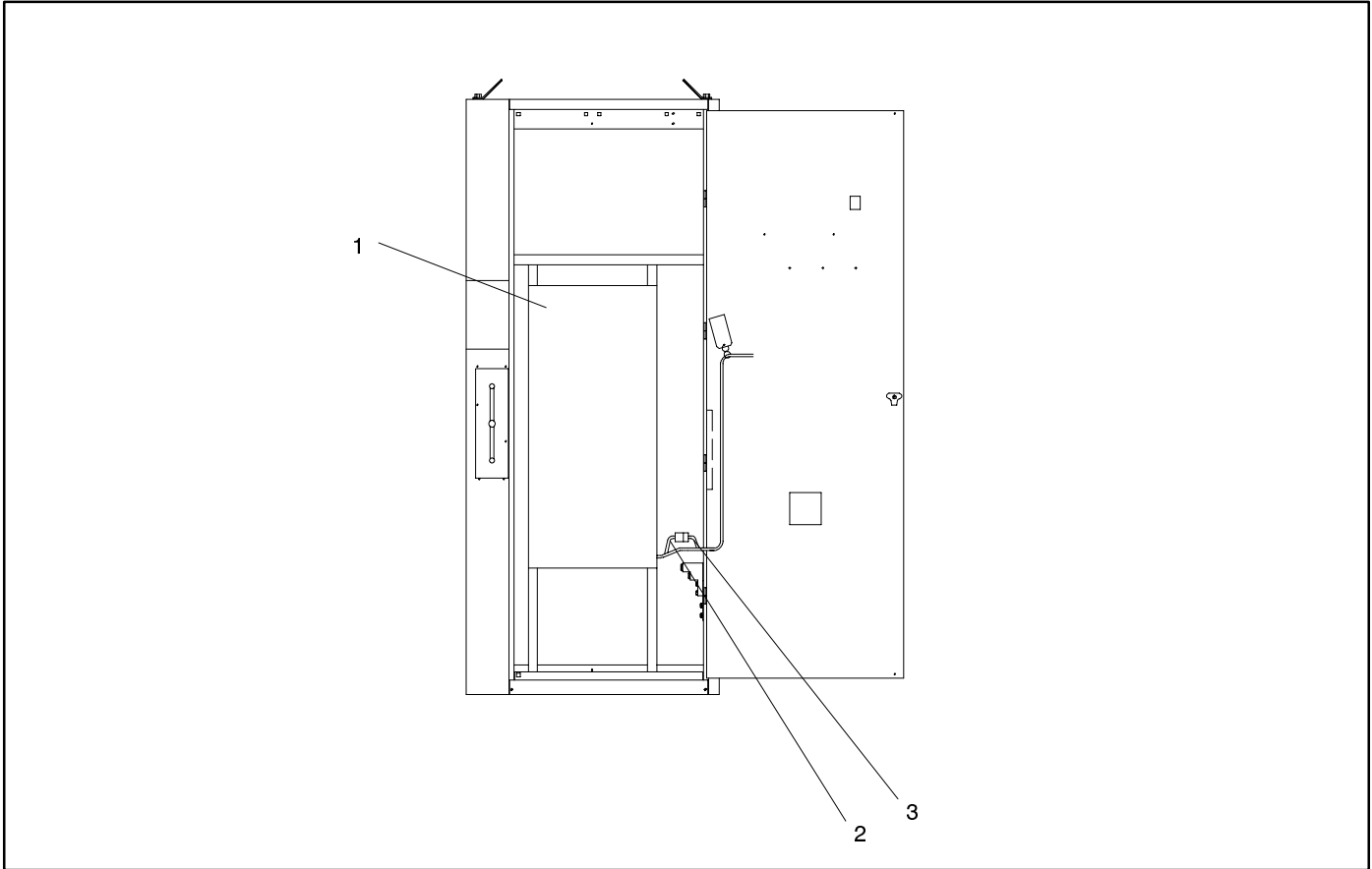
Item	Description	Part Number
2	Decal, contactor	295367
	Decal, contactor 3 Pole, 3 Phase only	295099
3	3/8-16 Hardware (8)	#
4	Harness, Wiring (contactor to connector jack)	298686
5	Harness, Wiring (connector plug to plug P1) non-microprocessor	298687
5	Harness, Wiring (connector plug to plug P1) microprocessor only	294873
# Standard hardware. Procure locally.		

1000-2000 Amp

Automatic Transfer and Bypass-Isolation Switch

Part Number Key
K - ABBCDE - FFFF

Amperage _____



Automatic Transfer and Bypass-Isolation Switch

1000-2000 Amp

Item 1, Contactor Assembly

Amps	Volts	Poles	Item 1 Contactor Assembly R340 and S340 only	Item 1 Contactor Assembly M340
1000	110-120	3		A-260392
1000	110-120	4		A-260398
1000	190-208	3		A-260393
1000	190-208	4		A-260399
1000	220-240	3		A-260394
1000	220-240	4		A-260400
1000	380-416	3		A-260395
1000	380-416	4		A-260401
1000	440/480	3	B-297881	A-260396
1000	440/480	3 *	B-297882	A-260402
1000	550-600	3		A-260397
1000	550-600	4		A-260403
1200	110-120	3		A-260404
1200	110-120	4		A-260410
1200	190-208	3		A-260405
1200	190-208	4		A-260411
1200	220-240	3	A-353193	A-260406
1200	220-240	4		A-260412
1200	380-416	3		A-260407
1200	380-416	4		A-260413
1200	440/480	3	B-297883	A-260408
1200	440/480	3*	B-297884	A-260414
1200	550-600	3		A-260409
1200	550-600	4		A-260415

Amps	Volts	Poles	Item 1 Contactor Assembly R340 and S340 only	Item 1 Contactor Assembly M340
1600	110-120	3		A-260416
1600	110-120	4		A-260422
1600	190-208	3		A-260417
1600	190-208	4		A-260423
1600	220-240	3		A-260418
1600	220-240	4		A-260424
1600	380-416	3		A-260419
1600	380-416	4		A-260425
1600	440/480	3	A-320209	A-260420
1600	440/480	3 *	A-320210	A-260426
1600	550-600	3		A-260421
1600	550-600	4		A-260427
2000	110-120	3		A-260428
2000	110-120	4		A-260434
2000	190-208	3		A-260429
2000	190-208	4		A-260435
2000	220-240	3		A-260430
2000	220-240	4		A-260436
2000	380-416	3		A-260431
2000	380-416	4		A-260437
2000	440/480	3	A-320211	A-260432
2000	440/480	3 *	A-320212	A-260438
2000	550-600	3		A-260433
2000	550-600	4		A-260439

* With overlapping neutral

Item	Description	Part Number
2	Harness, wiring (contactor to connector jack)	294600
3	Harness, wiring (connector plug to plug P1) non-microprocessor	298687
3	Harness, wiring (connector plug to plug P1) microprocessor only	294873

Contactor Assemblies and Components

This section lists service parts of three versions for transfer switch contactors: A-, B-, and C-.

Know the transfer switch serial number before servicing contactors. Determine the contactor version based on the serial number. Service parts are NOT interchangeable between contactor versions. See the transfer switch serial number chart below for serial number breaks. See Introduction section for an explanation of the transfer switch part number.

The first four columns in the parts table show the voltage class, amps, poles, and system voltage (coil voltage) of the contactor.

The next four columns list the coil, rectifier, resistor, if applicable, and spring(s) used in the contactor. The spring(s) column holds two part numbers per row in some cases because some contactors require two springs. **Use the serial number and contactor assembly number to verify correct part numbers when numbers differ within the same system voltage. See the chart below for serial number ranges.**

The ninth column shows the installed contactor part number printed on the contactor nameplate. The contactor version is the alpha prefix of the contactor part number. For example, contactor number B-260212 is a B-version contactor.

The last column lists service contactors. The contactors are for service only and might not have the same part number as the installed contactor. No service contactor is listed for those switch configurations that have no service contactor part number available.

Contact your Service Parts Department to obtain replacement parts for transfer switches without part numbers.

When changing system voltage (within the limits of voltage class, amp rating, and number of poles) or when replacing a defective coil, verify the installed contactor part number and replace the coil, rectifier, resistor and spring(s) listed for that voltage.

NOTE

For complete contactor assembly replacement, the B-version replaces the corresponding A- version and the C- version replaces the corresponding B- version.

For system voltage changes, the current and/or the voltage sensing transformer assemblies and other accessories may also need changing. See transfer switch parts catalog for transformer and accessory parts information.

Make coil voltage changes within the same voltage class and amperage/pole group.

Change the main control circuit board to correspond with a change in ATS operating frequency (Hz). Change other accessories if necessary. See parts catalog listed in introduction for accessory and service part information.

An asterisk (*) in the Poles column of the contactor components chart indicates overlapping neutral.

Transfer Switch Serial Number Chart

Amp	Serial Number	Contactor Version	
		x-26xxxx Part Number	x-29xxxx Part Number
30-150	all	A-	A-
225/260 and 400	before K-27343	A-	A-
	K-27343 and after	A-	B-
600-800	before K-3400	A-	A-
	K-3400 to K-55000**	A-	B-
	K-55000** and after	B-	C-

** K-55000 is an estimated serial number. Check contactor part number of transfer switches with serial numbers from K-53000 to K-55000 to verify version letter.

Contactor Assemblies and Components

Voltage Class	Amps.	Poles	System Voltage	Coil#	Rectifier#	Resistor#	Spring(s)#	Contactor Assembly	Service Contactor
250	30	2	110-120	295559	294544	-	295914	A-260440	A-346905
250	30	2	110-120	295559	294544	-	295914	A-295472	A-346923
250	30	2	190-208	295571	294544	-	295914	A-260441	A-346906
250	30	2	190-208	295571	294544	-	295914	A-297832&	A-346924
250	30	2	220-240	295563	294544	-	295914	A-260442	A-346907
250	30	2	220-240	295563	294544	-	295914	A-295400&	A-346925
250	30	3	190-208	295559	294544	-	295915	A-260444	A-346909
250	30	3	190-208	295559	294544	-	295915	A-295401&	A-346891
250	30	3	220-240	295561	294544	-	295915	A-260445	A-346910
250	30	3	220-240	295561	294544	-	295915	A-295477&	A-346892
250	70	2	110-120	295557	294544	-	295915	A-260446	A-346911
250	70	2	110-120	295557	294544	-	295915	A-295480&	A-346893
250	70	2	190-208	295559	294544	-	295915	A-260447	A-346912
250	70	2	190-208	295559	294544	-	295915	A-297297&	A-346894
250	70	2	220-240	295561	294544	-	295915	A-260448	A-346913
250	70	2	220-240	295561	294544	-	295915	A-295402	A-346895
250	70	3	110-120	295558	294544	-	295591	A-260449	A-346914
250	70	3	110-120	295558	294544	-	295591	A-295482&	A-346896
250	70	3	190-208	295560	294544	-	295591	A-260450	A-346915
250	70	3	190-208	295560	294544	-	295591	A-295403&	A-346897
250	70	3	220-240	295562	294544	-	295591	A-260451	A-346916
250	70	3	220-240	295562	294544	-	295591	A-295485&	A-346898
250	100	2	110-120	295557	294544	-	295915	A-260452	A-346917
250	100	2	110-120	295557	294544	-	295915	A-295489&	A-346899
250	100	2	190-208	295559	294544	-	295915	A-260453	A-346918
250	100	2	190-208	295559	294544	-	295915	A-297364&	A-346900
250	100	2	220-240	295561	294544	-	295915	A-260454	A-346919
250	100	2	220-240	295561	294544	-	295915	A-295404&	A-346901
250	100	3	110-120	295558	294544	-	295591	A-260455	A-346920
250	100	3	110-120	295558	294544	-	295591	A-295491&	A-346902
250	100	3	190-208	295560	294544	-	295591	A-260456	A-346921
250	100	3	190-208	295560	294544	-	295591	A-295405&	A-346903
250	100	3	220-240	295562	294544	-	295591	A-260457	A-346922
250	100	3	220-240	295562	294544	-	295591	A-295493&	A-346904
600	30	2	110-120	295554	294544	-	295590	A-260458	A-346695
600	30	2	110-120	295554	294544	-	295590	A-295496	A-297400
600	30	2	190-208	295556	294544	-	295590	A-346851	A-346852
600	30	2	190-208	295556	294544	-	295590	A-346940	A-346941
600	30	2	220-240	295556	294544	-	295590	A-260459	A-346743
600	30	2	220-240	295556	294544	-	295590	A-295406	A-297384
600	30	2	380-416	295563	294544	-	295590	A-260460	A-346696
600	30	2	440-480	295565	294544	-	295590	A-260461	A-346697
600	30	2	440-480	295565	294544	-	295590	A-295807	A-297402
600	30	2	550-600	295568	294544	-	295590	A-260462	A-346698

* This 3-pole contactor assembly has an overlapping neutral.

Use the serial number and contactor assembly number to determine part numbers when coil, rectifier, resistor, and spring numbers differ within the same system voltage. See chart on page 38 for serial number ranges.

& Contactor is purchased, wired in-house, and then stocked under a new part number. See chart on page 51 for cross-reference.

Contactors Assemblies and Components

Voltage Class	Amps.	Poles	System Voltage	Coil#	Rectifier#	Resistor#	Spring(s)#	Contactor Assembly	Service Contactor
600	30	3	110-120	295554	294544	-	295590	A-260463	A-346699
600	30	3	110-120	295554	294544	-	295590	A-295498	A-297401
600	30	3	190-208	295559	294544	-	295590	A-260464	A-346744
600	30	3	190-208	295559	294544	-	295590	A-295407	A-297385
600	30	3	220-240	295556	294544	-	295590	A-346853	A-346854
600	30	3	220-240	295556	294544	-	295590	A-294928	A-294927
600	30	3	380-416	295563	294544	-	295590	A-346855	A-346856
600	30	3	380-416	295563	294544	-	295590	A-346827	A-346828
600	30	3	440-480	295565	294544	-	295590	A-260465	A-346745
600	30	3	440-480	295565	294544	-	295590	A-295408	A-297386
600	30	3	550-600	295568	294544	-	295590	A-260466	A-346701
600	30	3	550-600	295568	294544	-	295590	A-295810	A-297403
600	30	3*	110-120	295555	294544	-	295515	A-260467	A-346702
600	30	3*	190-208	295559	294544	-	295515	A-260468	A-346746
600	30	3*	190-208	295559	294544	-	295515	A-295409	A-297387
600	30	3*	220-240	295559	294544	-	295515	A-346857	A-346858
600	30	3*	220-240	295559	294544	-	295515	A-346942	A-297404
600	30	3*	380-416	295563	294544	-	295515	A-260469	A-346703
600	30	3*	380-416	295563	294544	-	295515	A-295816	A-297404
600	30	3*	440-480	295565	294544	-	295515	A-260470	A-346704
600	30	3*	440-480	295565	294544	-	295515	A-295817	A-297405
600	30	3*	550-600	295568	294544	-	295515	A-260471	A-346705
600	30	3*	550-600	295568	294544	-	295515	A-295819	A-297406
600	70	2	110-120	295558	294544	-	295591	A-260472	A-346706
600	70	2	110-120	295558	294544	-	295591	A-295821	A-297407
600	70	2	190-208	295559	294544	-	295591	A-260473	A-346707
600	70	2	190-208	295559	294544	-	295591	A-297054	A-297415
600	70	2	220-240	295562	294544	-	295591	A-260474	A-346747
600	70	2	220-240	295562	294544	-	295591	A-295410	A-297388
600	70	2	380-416	295571	294544	-	295591	A-260475	A-346708
600	70	2	440-480	295563	294544	-	295591	A-346859	A-346860
600	70	2	440-480	295563	294544	-	295591	A-295832	A-297410
600	70	2	550-600	295565	294544	-	295591	A-260476	A-346709
600	70	3	110-120	295558	294544	-	295591	A-260477	A-346710
600	70	3	110-120	295558	294544	-	295591	A-295823	A-297408
600	70	3	190-208	295560	294544	-	295591	A-260117	A-346748
600	70	3	190-208	295560	294544	-	295591	A-295411	A-297389
600	70	3	220-240	295562	294544	-	295591	A-260118	A-346711
600	70	3	220-240	295562	294544	-	295591	A-295827	A-297409
600	70	3	380-416	295571	294544	-	295591	A-346861	A-346862
600	70	3	380-416	295571	294544	-	295591	A-346829	A-346830
600	70	3	440-480	295563	294544	-	295591	A-260121	A-346749
600	70	3	440-480	295563	294544	-	295591	A-295412	A-297390
600	70	3	550-600	295569	294544	-	295591	A-260121	A-346712
600	70	3	550-600	295569	294544	-	295591	A-295836	A-297411
600	70	3*	110-120	295558	294544	-	320621	A-260122	A-346713
600	70	3*	190-208	295560	294544	-	320321	A-260123	A-346750
600	70	3*	190-208	295560	294544	-	320621	A-295413	A-297391
600	70	3*	220-240	295562	294544	-	320621	A-260124	A-346714

* This 3-pole contactor assembly has an overlapping neutral.

Use the serial number and contactor assembly number to determine part numbers

when coil, rectifier, resistor, and spring numbers differ within the same system voltage. See chart on page 38 for serial number ranges.

& Contactor is purchased, wired in-house, and then stocked under a new part number. See chart on page 51 for cross-reference.

Contactor Assemblies and Components

Voltage Class	Amps.	Poles	System Voltage	Coil#	Rectifier#	Resistor#	Spring(s)#	Contactor Assembly	Service Contactor
600	70	3*	220-240	295562	294544	-	320621	A-295838	A-297412
600	70	3*	380-416	295571	294544	-	320621	A-346863	A-346864
600	70	3*	380-416	295571	294544	-	320621	A-346831	A-346832
600	70	3*	440-480	295563	294544	-	320621	A-260125	A-346715
600	70	3*	440-480	295563	294544	-	320621	A-295840	A-297413
600	70	3*	550-600	295569	294544	-	320621	A-260127	A-346716
600	70	3*	550-600	295569	294544	-	320621	A-295845	A-297414
600	104	2	110-120	295558	294544	-	295591	A-260128	A-346717
600	104	2	110-120	295558	294544	-	295591	A-295846	A-297416
600	104	2	190-208	295559	294544	-	295591	A-260129	A-346718
600	104	2	190-208	295559	294544	-	295591	A-297515	A-297973
600	104	2	220-240	295562	294544	-	295591	A-260130	A-346751
600	104	2	220-240	295562	294544	-	295591	A-295414	A-297392
600	104	2	380-416	295563	294544	-	295591	A-260131	A-346719
600	104	2	440-480	295563	294544	-	295591	A-260132	A-346720
600	104	2	440-480	295563	294544	-	295591	A-295857	A-297419
600	104	2	550-600	295565	294544	-	295591	A-260133	A-346721
600	104	3	110-120	295558	294544	-	295591	A-260134	A-346722
600	104	3	110-120	295558	294544	-	295591	A-295848	A-297417
600	104	3	190-208	295560	294544	-	295591	A-260135	A-346752
600	104	3	190-208	295560	294544	-	295591	A-295415	A-297393
600	104	3	220-240	295562	294544	-	295591	A-260136	A-346723
600	104	3	220-240	295562	294544	-	295591	A-295853	A-297418
600	104	3	380-416	295563	294544	-	295591	A-346865	A-346866
600	104	3	380-416	295563	294544	-	295591	A-346833	A-346834
600	104	3	440-480	295563	294544	-	295591	A-260138	A-346753
600	104	3	440-480	295563	294544	-	295591	A-295416	A-297394
600	104	3	550-600	295569	294544	-	295591	A-260139	A-346724
600	104	3	550-600	295569	294544	-	295591	A-295861	A-297420
600	104	3*	110-120	295558	294544	-	320621	A-260146	A-346725
600	104	3*	190-208	295560	294544	-	320621	A-260147	A-346754
600	104	3*	190-208	295560	294544	-	320621	A-295417	A-297395
600	104	3*	220-240	295562	294544	-	320621	A-260148	A-346726
600	104	3*	220-240	295562	294544	-	320621	A-295863	A-297421
600	104	3*	380-416	295563	294544	-	320621	A-346867	A-346868
600	104	3*	380-416	295563	294544	-	320621	A-346835	A-346836
600	104	3*	440-480	295563	294544	-	320621	A-260150	A-346727
600	104	3*	440-480	295563	294544	-	320621	A-295865	A-297422
600	104	3*	550-600	295569	294544	-	320621	A-260151	A-346728
600	104	3*	550-600	295569	294544	-	320621	A-295870	A-297423
600	150	2	110-120	295572	294544	-	295592	A-260152	A-346729
600	150	2	110-120	295572	294544	-	295592	A-295872	A-297424
600	150	2	190-208	295575	294544	-	295592	A-297699	A-297729
600	150	2	190-208	295575	294544	-	295592	A-260153	A-346730
600	150	2	220-240	295576	294544	-	295592	A-260154	A-346755
600	150	2	220-240	295576	294544	-	295592	A-295418	A-297396
600	150	2	380-416	295577	294544	-	295592	A-260155	A-346731
600	150	2	440-480	295580	294544	-	295592	A-260156	A-346732
600	150	2	440-480	295580	294544	-	295592	A-295882	A-297428

* This 3-pole contactor assembly has an overlapping neutral.

Use the serial number and contactor assembly number to determine part numbers when coil, rectifier, resistor, and spring numbers differ within the same system voltage. See chart on page 38 for serial number ranges.

& Contactor is purchased, wired in-house, and then stocked under a new part number. See chart on page 51 for cross-reference.

Contactors Assemblies and Components

Voltage Class	Amps.	Poles	System Voltage	Coil#	Rectifier#	Resistor#	Spring(s)#	Contactor Assembly	Service Contactor
600	150	2	550-600	295581	294544	-	295592	A-260157	A-346733
600	150	3	110-120	295573	294544	-	295593	A-260164	A-346734
600	150	3	110-120	295573	294544	-	295593	A-295873	A-297425
600	150	3	190-208	295574	294544	-	295593	A-260165	A-346756
600	150	3	190-208	295574	294544	-	295593	A-295419	A-297397
600	150	3	220-240	295575	294544	-	295593	A-260166	A-346735
600	150	3	220-240	295575	294544	-	295593	A-295878	A-297426
600	150	3	380-416	295578	294544	-	295593	A-260167	A-346736
600	150	3	380-416	295578	294544	-	295593	A-295880	A-297427
600	150	3	440-480	295579	294544	-	295593	A-260168	A-346757
600	150	3	440-480	295579	294544	-	295593	A-295420	A-297398
600	150	3	550-600	295580	294544	-	295593	A-260169	A-346737
600	150	3	550-600	295580	294544	-	295593	A-295885	A-297429
600	150	3*	110-120	295573	294544	-	295593	A-260170	A-346738
600	150	3*	190-208	295574	294544	-	295593	A-260171	A-346758
600	150	3*	190-208	295574	294544	-	295593	A-295421	A-297399
600	150	3*	220-240	295575	294544	-	295593	A-260172	A-346739
600	150	3*	220-240	295575	294544	-	295593	A-295887	A-297430
600	150	3*	380-416	295578	294544	-	295593	A-260173	A-346740
600	150	3*	380-416	295578	294544	-	295593	A-295890	A-297431
600	150	3*	440-480	295579	294544	-	295593	A-260174	A-346741
600	150	3*	440-480	295579	294544	-	295593	A-295892	A-297432
600	150	3*	550-600	295580	294544	-	295593	A-260175	A-346742
600	150	3*	550-600	295580	294544	-	295593	A-295895	A-297433
600	225/260	2	110-120	295500	295525	-	295594	A-295422	A-297434
600	225/260	2	110-120	295501	294544	-	295596	B-295422	B-297434
600	225/260	2	110-120	295501	294544	-	295596	A-260176	A-346779
600	225/260	2	190-208	295503	294544	-	295596	B-297363	B-294926
600	225/260	2	190-208	295503	294544	-	295596	A-260177	A-346759
600	225/260	2	220-240	295507	295526	-	295594	A-295458	A-297438
600	225/260	2	220-240	295506	294544	-	295596	B-295458	B-297438
600	225/260	2	220-240	295506	294544	-	295596	A-260178	A-346760
600	225/260	2	380-416	295508	294544	-	295596	A-260179	A-346761
600	225/260	2	440-480	295509	295527	-	295594	A-295896	A-297443
600	225/260	2	440-480	295509	294544	-	295596	B-295896	B-297443
600	225/260	2	440-480	295509	294544	-	295596	A-260180	A-346762
600	225/260	2	550-600	295509	294544	-	295596	A-346869	A-346870
600	225/260	3	110-120	295500	295525	-	295595	A-297358	A-297444
600	225/260	3	110-120	295501	294544	-	295598	B-295358	B-297444
600	225/260	3	110-120	295501	294544	-	295598	A-260182	A-346763
600	225/260	3	190-208	295506	295526	-	295595	A-295423	A-297435
600	225/260	3	190-208	295503	294544	-	295598	B-295423	B-297435
600	225/260	3	190-240	295503	294544	-	295598	A-260183	A-346780
600	225/260	3	220-240	295506	295544	-	295598	A-346871	A-346872
600	225/260	3	220-240	295506	294544	-	295598	A-346837	A-346838
600	225/260	3	380-416	295509	295527	-	295595	A-294136	A-273327
600	225/260	3	380-416	295508	294544	-	295598	B-294136	B-273327
600	225/260	3	380-416	295507	294544	-	295598	A-260185	A-346764
600	225/260	3	440-480	295509	295527	-	295595	A-295424	A-297436

* This 3-pole contactor assembly has an overlapping neutral.

Use the serial number and contactor assembly number to determine part numbers

when coil, rectifier, resistor, and spring numbers differ within the same system voltage. See chart on page 38 for serial number ranges.

& Contactor is purchased, wired in-house, and then stocked under a new part number. See chart on page 51 for cross-reference.

Contactor Assemblies and Components

Voltage Class	Amps.	Poles	System Voltage	Coil#	Rectifier#	Resistor#	Spring(s)#	Contactor Assembly	Service Contactor
600	225/260	3	440-480	295508	294544	-	295598	B-295424	B-297436
600	225/260	3	440-480	295508	294544	-	295598	A-260186	A-346781
600	225/260	3	550-600	295510	295527	-	295595	A-295463	A-297441
600	225/260	3	550-600	295509	294544	-	295598	B-295463	B-297441
600	225/260	3	550-600	295509	294544	-	295598	A-260187	A-346765
600	225/260	3*	110-120	295501	294544	-	320501	A-260188	A-346766
600	225/260	3*	190-208	295505	295526	-	295596	A-295425	A-297437
600	225/260	3*	190-208	295504	294544	-	320501	B-295425	B-297437
600	225/260	3*	190-240	295504	294544	-	320501	A-260189	A-346782
600	225/260	3*	220-240	295506	295526	-	295596	A-295423	A-297439
600	225/260	3*	220-240	295504	294544	-	320501	B-295425	B-297437
600	225/260	3*	220-240	295504	294544	-	320501	A-346873	A-346874
600	225/260	3*	220-240	295504	294544	-	320501	A-346839	A-346840
600	225/260	3*	380-416	295508	295527	-	295596	A-295462	A-297440
600	225/260	3*	380-416	295508	294544	-	320501	B-295462	B-297440
600	225/260	3*	380-416	295508	294544	-	320501	A-346875	A-346876
600	225/260	3*	380-416	295508	294544	-	320501	A-346841	A-346842
600	225/260	3*	380-480	295508	294544	-	320501	A-260191	A-346767
600	225/260	3*	440-480	295508	294544	-	320501	B-295462	B-297440
600	225/260	3*	550-600	295509	295527	-	295596	A-295464	A-297442
600	225/260	3*	550-600	295509	294544	-	320501	B-295464	B-297442
600	225/260	3*	550-600	295509	294544	-	320501	A-260193	A-346768
600	400	2	110-120	295501	294544	-	295596	A-260194	A-346783
600	400	2	110-120	295501	295525	-	295596	A-295426	A-297445
600	400	2	110-120	295501	294544	-	295596	B-295426	B-297445
600	400	2	190-208	295503	294544	-	295596	A-260195	A-346769
600	400	2	220-240	295506	294544	-	295596	A-260196	A-346770
600	400	2	220-240	295506	295526	-	295596	A-295465	A-297449
600	400	2	220-240	295506	294544	-	295596	B-295465	B-297449
600	400	2	380-416	295508	294544	-	295596	A-260197	A-346771
600	400	2	440-480	295509	294544	-	295596	A-260198	A-346772
600	400	2	440-480	295509	294544	-	295596	A-346843	A-346844
600	400	2	440-480	295509	295527	-	295596	A-295898	A-297453
600	400	2	550-600	295509	295527	-	295596	A-295898	A-297453
600	400	2	550-600	295509	294544	-	295596	B-295898	B-297453
600	400	2	550-600	295509	294544	-	295596	A-346877	A-346878
600	400	3	110-120	295501	294544	-	295598	A-260200	A-346773
600	400	3	110-120	295501	295525	-	295597	A-297530	A-297974
600	400	3	110-120	295501	294544	-	295598	B-297530	B-297974
600	400	3	190-208	295503	295526	-	295597	A-295427	A-297446
600	400	3	190-208	295503	294544	-	295598	B-295427	B-297446
600	400	3	190-208	295503	294544	-	295598	A-260201	A-346784
600	400	3	220-240	295503	295526	-	295597	A-295427	A-297446
600	400	3	220-240	295503	294544	-	295598	B-295427	B-297446
600	400	3	220-240	295503	294544	-	295598	A-346845	A-346846
600	400	3	220-240	295503	294544	-	295598	A-346879	A-346880
600	400	3	380-416	295507	294544	-	295598	A-260203	A-346774
600	400	3	380-416	295508	295527	-	295597	A-294137	A-273328
600	400	3	380-416	295508	294544	-	295598	B-294137	B-273328

* This 3-pole contactor assembly has an overlapping neutral.

Use the serial number and contactor assembly number to determine part numbers when coil, rectifier, resistor, and spring numbers differ within the same system voltage. See chart on page 38 for serial number ranges.

& Contactor is purchased, wired in-house, and then stocked under a new part number. See chart on page 51 for cross-reference.

Contactors Assemblies and Components

Voltage Class	Amps.	Poles	System Voltage	Coil#	Rectifier#	Resistor#	Spring(s)#	Contactor Assembly	Service Contactor
600	400	3	440-480	295508	294544	-	295598	A-260204	A-346785
600	400	3	440-480	295508	295527	-	295597	A-295428	A-297447
600	400	3	440-480	295508	294544	-	295598	B-295428	B-297447
600	400	3	550-600	295509	294544	-	295598	A-260205	A-346775
600	400	3	550-600	295509	295527	-	295597	A-295470	A-297451
600	400	3	550-600	295509	294544	-	295598	B-295470	B-297451
600	400	3*	110-120	295501	294544	-	320501	A-260206	A-346776
600	400	3*	110-120	295501	295525	-	295598	A-297500	A-297975
600	400	3*	110-120	295501	294544	-	320501	B-297500	B-297975
600	400	3*	190-208	295504	295526	-	295598	A-295429	A-297448
600	400	3*	190-208	295504	294544	-	320501	B-295429	B-297448
600	400	3*	190-240	295504	294544	-	320501	A-260207	A-346786
600	400	3*	220-240	295504	295526	-	295598	A-295429	A-297448
600	400	3*	220-240	295504	294544	-	320501	B-295429	B-297448
600	400	3*	220-240	295508	294544	-	320501	A-346881	A-346882
600	400	3*	220-240	295508	294544	-	320501	A-346847	A-346848
600	400	3*	380-416	295508	295527	-	295598	A-295469	A-297450
600	400	3*	380-416	295508	294544	-	320501	B-295469	B-297450
600	400	3*	380-416	295508	294544	-	320501	A-346934	A-346935
600	400	3*	380-416	295508	294544	-	320501	A-346849	A-346850
600	400	3*	380-480	295508	294544	-	320501	A-260209	A-346777
600	400	3*	440-480	295508	295527	-	295598	A-295469	A-297450
600	400	3*	440-480	295508	294544	-	320501	B-295469	B-297450
600	400	3*	550-600	295509	294544	-	320501	A-260211	A-346778
600	400	3*	550-600	295509	295527	-	295598	A-295471	A-297452
600	400	3*	550-600	295509	294544	-	320501	B-295471	B-297452
600	600	2	110-120	295513	294544	295533	295141	A-260212	
600	600	2	110-120	321543	294544	321551	321549	B-260212	A-346817
600	600	2	110-120	295512	295542	295534	295599	A-295430	A-297454
600	600	2	110-120	295513	294544	295533	295141	B-295430	B-297454
600	600	2	110-120	321543	294544	321551	321549	C-295430	B-297454
600	600	2	190-208	295516	294544	295535	295141	A-260213	
600	600	2	190-208	321544	294544	297627	321549	B-260213	A-346787
600	600	2	220-240	295517	294544	295535	295141	A-260214	
600	600	2	220-240	321545	294544	297627	321549	B-260214	A-346788
600	600	2	220-240	295518	295542	295536	295599	A-295436	A-297460
600	600	2	220-240	295517	294544	295535	295141	B-295436	B-297459
600	600	2	220-240	321545	294544	297627	321549	C-295436	A-346933
600	600	2	380-416	295520	294544	295537	295141	A-260215	
600	600	2	380-416	321546	294544	321553	321549	B-260215	A-346789
600	600	2	440-480	295520	294544	295539	295141	A-260216	
600	600	2	440-480	321547	294544	297650	321549	B-260216	A-346790
600	600	2	440-480	295523	295543	295538	295599	A-295093	A-297482
600	600	2	440-480	295521	294544	295539	295141	B-295093	B-297482
600	600	2	440-480	321547	294544	297650	321549	C-295093	B-297482
600	600	2	550-600	295523	294544	295541	295141	A-260217	
600	600	2	550-600	321548	294544	297631	321549	B-260217	A-346791
600	600	3	110-120	295513	294544	295533	295141	A-260218	
600	600	3	110-120	321543	294544	321551	321549	B-260218	A-346792

* This 3-pole contactor assembly has an overlapping neutral.

Use the serial number and contactor assembly number to determine part numbers when coil, rectifier, resistor, and spring numbers differ within the same system voltage. See chart on page 38 for serial number ranges.

& Contactor is purchased, wired in-house, and then stocked under a new part number. See chart on page 51 for cross-reference.

Contactor Assemblies and Components

Voltage Class	Amps.	Poles	System Voltage	Coil#	Rectifier#	Resistor#	Spring(s)#	Contactor Assembly	Service Contactor	
600	600	3	110-120	295512	295542	295533	295599	A-295445	A-297469	
600	600	3	110-120	295513	294544	295533	295141	B-295445	B-297469	
600	600	3	110-120	321543	294544	321551	321549	C-295445	B-297469	
600	600	3	190-208	295516	294544	295535	295141	A-260219		
600	600	3	190-208	321544	294544	297627	321549	B-260219	A-346793	
600	600	3	190-208	295517	295542	295534	295599	A-295437	A-297461	
600	600	3	190-208	295516	294544	295535	295141	B-295437	B-297461	
600	600	3	190-208	321544	294544	297627	321549	C-295437	B-297461	
600	600	3	220-240	295517	294544	295535	295141	A-260220		
600	600	3	220-240	321545	294544	297627	321549	B-260220	A-346794	
600	600	3	220-240	295518	295542	295536	295599	A-295443	A-297467	
600	600	3	220-240	295517	294544	295535	295141	B-295443	B-297467	
600	600	3	220-240	321545	294544	297627	321549	C-295443	B-297467	
600	600	3	380-416	295520	294544	295537	295141	A-260221		
600	600	3	380-416	321546	294544	321553	321549	B-260221	A-346795	
600	600	3	380-416	295521	295543	295538	295599	A-295439	A-297463	
600	600	3	380-416	295520	294544	295537	295141	B-295439	B-297463	
600	600	3	380-416	321546	294544	321553	321549	C-295439	B-297463	
600	600	3	440-480	295522	294544	295539	295141	A-260222		
600	600	3	440-480	321547	294544	297650	321549	B-260222	A-346818	
600	600	3	440-480	295523	295543	295538	295599	A-295431	A-297455	
600	600	3	440-480	295522	294544	295538	295141	B-295431	B-297455	
600	600	3	440-480	321547	294544	297650	321549	C-295431	B-297455	
600	600	3	550-600	295523	294544	295541	295141	A-260223		
600	600	3	550-600	321548	294544	297631	321549	B-260223	A-346796	
600	600	3	550-600	295524	295543	295540	295599	A-295441	A-297465	
600	600	3	550-600	295523	294544	295541	295141	B-295441	B-297465	
600	600	3	550-600	321548	294544	297631	321549	C-295441	B-297465	
600	600	3*	110-120	295514	294544	295533	295141	295142	A-260224	
600	600	3*	110-120	321543	294544	321551	321549		B-260224	A-346797
600	600	3*	110-120	295513	295542	295533	295141		A-295446	A-297470
600	600	3*	110-120	295514	294544	295533	295141	295142	B-295446	B-297470
600	600	3*	110-120	321543	294544	321551	321549		C-295446	B-297470
600	600	3*	190-208	295513	294544	295535	295141	295142	A-260225	
600	600	3*	190-208	321544	294544	297627	321549		B-260225	A-346798
600	600	3*	190-208	295516	295542	295535	295141		A-295438	A-297462
600	600	3*	190-208	295513	294544	295535	295141	295142	B-295438	B-297462
600	600	3*	190-208	321544	294544	297627	321549		C-295438	B-297462
600	600	3*	220-240	295516	294544	295535	295141	295142	A-260226	
600	600	3*	220-240	321545	294544	297627	321549		B-260226	A-346799
600	600	3*	220-240	295517	295542	295535	295141		A-295444	A-297468
600	600	3*	220-240	295516	294544	295535	295141	295142	B-295444	B-297468
600	600	3*	220-240	321545	294544	297627	321549		C-295444	B-297468
600	600	3*	380-416	295519	294544	295538	295141	295142	A-260227	
600	600	3*	380-416	321546	294544	321553	321549		B-260227	A-346800
600	600	3*	380-416	295520	295543	295537	295141		A-295440	A-297464
600	600	3*	380-416	295519	294544	295537	295141	295142	B-295440	B-297464
600	600	3*	380-416	321546	294544	321553	321549		C-295440	B-297464
600	600	3*	440-480	295518	294544	295538	295141	295142	A-260228	
600	600	3*	440-480	321547	294544	297650	321549		B-260228	A-346819
600	600	3*	440-480	295518	295543	295538	295141		A-295432	A-297456

* This 3-pole contactor assembly has an overlapping neutral.

Use the serial number and contactor assembly number to determine part numbers when coil, rectifier, resistor, and spring numbers differ within the same system voltage. See chart on page 38 for serial number ranges.

& Contactor is purchased, wired in-house, and then stocked under a new part number. See chart on page 51 for cross-reference.

Contactors Assemblies and Components

Voltage Class	Amps.	Poles	System Voltage	Coil#	Rectifier#	Resistor#	Spring(s)#	Contactors Assembly	Service Contactor	
600	600	3*	440-480	295518	294544	295538	295141	295142	B-295432	B-297456
600	600	3*	440-480	321547	294544	297650	321549		C-295432	B-297456
600	600	3*	550-600	295522	294544	295541	295141	295142	A-260229	
600	600	3*	550-600	321548	294544	297631	321549		B-260229	A-346801
600	600	3*	550-600	295523	295543	295541	295141		A-295442	A-297466
600	600	3*	550-600	295522	294544	295541	295141	295142	B-295442	B-297466
600	600	3*	550-600	321548	294544	321549	321549		C-295442	B-297466
600	800	2	110-120	295513	294544	295533	295141		A-260230	
600	800	2	110-120	321543	294544	321551	321549		B-260230	A-346820
600	800	2	110-120	295513	295542	295533	295141		A-295433	A-297457
600	800	2	110-120	295513	294544	295533	295141		B-295433	B-297457
600	800	2	110-120	321543	294544	321551	321549		C-295433	B-297457
600	800	2	190-208	295516	294544	295535	295141		A-260231	
600	800	2	190-208	321544	294544	297627	321549		B-260231	A-346802
600	800	2	220-240	295517	294544	295535	295141		A-260232	
600	800	2	220-240	321545	294544	297627	321549		B-260232	A-346803
600	800	2	220-240	295517	295542	295535	295141		A-295447	A-297471
600	800	2	220-240	295517	294544	295535	295141		B-295447	B-297471
600	800	2	220-240	321545	294544	297627	321549		C-295447	B-297471
600	800	2	380-416	295520	294544	295537	295141		A-260233	
600	800	2	380-416	321546	294544	321553	321549		B-260233	A-346804
600	800	2	440-480	295521	294544	295539	295141		A-260234	
600	800	2	440-480	321547	294544	297650	321549		B-260234	A-346805
600	800	2	440-480	295521	295543	295539	295141		A-295094	A-297483
600	800	2	440-480	295521	294544	295539	295141		B-295094	B-297483
600	800	2	440-480	321547	294544	297650	321549		C-295094	B-297483
600	800	2	550-600	295523	294544	295541	295141		A-260235	
600	800	2	550-600	321548	294544	297631	321549		B-260235	A-346806
600	800	3	110-120	295513	294544	295533	295141		A-260236	
600	800	3	110-120	321543	294544	321551	321549		B-260236	A-346807
600	800	3	110-120	295513	295542	295533	295141		A-295450	A-297474
600	800	3	110-120	295513	294544	295533	295141		B-295450	B-297474
600	800	3	110-120	321543	294544	321551	321549		C-295450	B-297474
600	800	3	190-208	295516	294544	295535	295141		A-260237	
600	800	3	190-208	321544	294544	297627	321549		B-260237	A-346808
600	800	3	190-208	295516	295542	295535	295141		A-295452	A-297476
600	800	3	190-208	295516	294544	295535	295141		B-295452	B-297476
600	800	3	190-208	321544	294544	297627	321549		C-295452	B-297476
600	800	3	220-240	295517	294544	295535	295141		A-260238	
600	800	3	220-240	321545	294544	297627	321549		B-260238	A-346809
600	800	3	220-240	295517	295542	295535	295141		A-295448	A-297472
600	800	3	220-240	295517	294544	295535	295141		B-295448	B-297472
600	800	3	220-240	321545	294544	297627	321549		C-295448	B-297472
600	800	3	380-416	295520	294544	295537	295141		A-260239	
600	800	3	380-416	321546	294544	321553	321549		B-260239	A-346810
600	800	3	380-416	295520	295543	295537	295141		A-295454	A-297478
600	800	3	380-416	295520	294544	295537	295141		B-295454	B-297478
600	800	3	380-416	321546	294544	321553	321549		C-295454	B-297478
600	800	3	440-480	295522	294544	295539	295141		A-260240	
600	800	3	440-480	321547	294544	297650	321549		B-260240	A-346821

* This 3-pole contactor assembly has an overlapping neutral.

Use the serial number and contactor assembly number to determine part numbers when coil, rectifier, resistor, and spring numbers differ within the same system voltage. See chart on page 38 for serial number ranges.

& Contactor is purchased, wired in-house, and then stocked under a new part number. See chart on page 51 for cross-reference.

Contactor Assemblies and Components

Voltage Class	Amps.	Poles	System Voltage	Coil#	Rectifier#	Resistor#	Spring(s)#	Contactor Assembly	Service Contactor	
600	800	3	440-480	295522	295543	295539	295141	A-295434	A-297458	
600	800	3	440-480	295522	294544	295538	295141	B-295434	B-297458	
600	800	3	440-480	321547	294544	297650	321549	C-295434	B-297458	
600	800	3	550-600	295523	294544	295541	295141	A-260241		
600	800	3	550-600	321548	294544	297631	321549	B-260241	A-346811	
600	800	3	550-600	295523	295543	295541	295141	A-295456	A-297480	
600	800	3	550-600	295523	294544	295541	295141	B-295456	B-297480	
600	800	3	550-600	321548	294544	297631	321549	C-295456	B-297480	
600	800	3*	110-120	295514	294544	295533	295141	295142	A-260242	
600	800	3*	110-120	321543	294544	321551	321549		B-260242	A-346812
600	800	3*	110-120	295514	295542	295533	295141	295142	A-295451	A-297475
600	800	3*	110-120	295514	294544	295533	295141	295142	B-295451	B-297475
600	800	3*	110-120	321543	294544	321551	321549		C-295451	B-297475
600	800	3*	190-208	295513	294544	295535	295141	295142	A-260243	
600	800	3*	190-208	321544	294544	297627	321549		B-260243	A-346813
600	800	3*	190-208	295513	295542	295535	295141	295142	A-295453	A-297477
600	800	3*	190-208	295513	294544	295535	295141	295142	B-295453	B-297477
600	800	3*	190-208	321544	294544	297627	321549		C-295453	B-297477
600	800	3*	220-240	295516	294544	295535	295141	295142	A-260244	
600	800	3*	220-240	321545	294544	297627	321549		B-260244	A-346814
600	800	3*	220-240	295516	295542	295535	295141	295142	A-295449	A-297473
600	800	3*	220-240	295516	294544	295535	295141	295142	B-295449	B-297473
600	800	3*	220-240	321545	294544	297627	321549		C-295449	B-297473
600	800	3*	380-416	295519	294544	295538	295141	295142	A-260245	
600	800	3*	380-416	321546	294544	321553	321549		B-260245	A-346815
600	800	3*	380-416	295519	295543	295537	295141	295142	A-295455	A-297479
600	800	3*	380-416	295519	294544	295537	295141	295142	B-295455	B-297479
600	800	3*	380-416	321546	294544	321553	321549		C-295455	B-297479
600	800	3*	440-480	295518	294544	295538	295141	295142	A-260246	
600	800	3*	440-480	321547	294544	297650	321549		B-260246	A-346822
600	800	3*	440-480	295518	295543	295538	295141	295142	A-295435	A-297459
600	800	3*	440-480	295518	294544	295538	295141	295142	B-295435	B-297459
600	800	3*	440-480	321547	294544	297650	321549		C-295435	B-297459
600	800	3*	550-600	295522	294544	295541	295141	295142	A-260247	
600	800	3*	550-600	321548	294544	297631	321549		B-260247	A-346816
600	800	3*	550-600	295522	295543	295541	295141	295142	A-295457	A-297481
600	800	3*	550-600	295522	294544	295541	295141	295142	B-295457	B-297481
600	800	3*	550-600	321548	294544	297631	321549		C-295457	B-297481
600	1000	3	110-120	297641	294544	297627	297660		A-260248	
600	1000	3	190-208	297642	294544	297628	297660		A-260249	
600	1000	3	190-208	297642	295542	297628	297660		A-297653	
600	1000	3	190-208	297642	294544	297628	297660		B-297653	B-294938
600	1000	3	190-250	297643	294544	297650	297660		A-260250	
600	1000	3	220-240	297643	295542	297650	297660		A-297655	
600	1000	3	220-240	297643	294544	297650	297660		B-297655	B-294939
600	1000	3	380-416	297644	294544	297651	297660		A-260251	
600	1000	3	380-416	297644	295543	297651	297660		A-297657	
600	1000	3	380-416	297644	294544	297651	297660		B-297657	B-294940
600	1000	3	440-480	297648	294544	297652	297660		A-260252	
600	1000	3	440-480	297648	295543	297652	297660		A-297584	

* This 3-pole contactor assembly has an overlapping neutral.

Use the serial number and contactor assembly number to determine part numbers when coil, rectifier, resistor, and spring numbers differ within the same system voltage. See chart on page 38 for serial number ranges.

& Contactor is purchased, wired in-house, and then stocked under a new part number. See chart on page 51 for cross-reference.

Contactors Assemblies and Components

Voltage Class	Amps.	Poles	System Voltage	Coil#	Rectifier#	Resistor#	Spring(s)#	Contactors Assembly	Service Contactor
600	1000	3	440-480	297648	294544	297652	297660	B-297584	B-294941
600	1000	3	550-600	297649	294544		297660	A-260253	
600	1000	3*	110-120	297641	294544	297627	297661	A-260258	
600	1000	3*	190-208	297642	294544	297629	297661	A-260259	
600	1000	3*	190-208	297642	295542	297629	297661	A-297606	
600	1000	3*	190-208	297642	294544	297629	297661	B-297606	B-294942
600	1000	3*	220-240	297645	294544	297629	297661	A-260260	
600	1000	3*	220-240	297645	295542	297629	297661	A-297656	
600	1000	3*	220-240	297645	294544	297629	297661	B-297656	B-294943
600	1000	3*	380-416	297646	294544	297630	297661	A-260261	
600	1000	3*	380-416	297646	295543	297630	297661	A-297658	
600	1000	3*	380-416	297646	294544	297630	297661	B-297658	B-294944
600	1000	3*	440-480	297647	294544	297629	297661	A-260262	
600	1000	3*	440-480	297647	295543	297630	297661	A-297585	
600	1000	3*	440-480	297647	294544	297629	297661	B-297585	B-294945
600	1000	3*	550-600	297648	294544	297652	297661	A-260263	
600	1200	3	110-120	297641	294544	297627	297660	A-260264	
600	1200	3	190-208	297642	295542	297628	297660	A-297909	
600	1200	3	190-208	297642	294544	297628	297660	B-297909	B-294946
600	1200	3	220-240	297643	294544	297650	297660	A-260266	
600	1200	3	220-240	297643	295542	297650	297660	A-297856	
600	1200	3	220-240	297643	294544	297650	297660	B-297856	B-294947
600	1200	3	380-416	297644	294544	297651	297660	A-260267	
600	1200	3	380-416	297644	295543	297651	297660	A-297858	
600	1200	3	380-416	297644	294544	297651	297660	B-297858	B-294948
600	1200	3	440-480	297648	294544	297652	297660	A-260268	
600	1200	3	440-480	297648	295543	297652	297660	A-297586	
600	1200	3	440-480	297648	294544	297652	297660	B-297586	B-294949
600	1200	3	550-600	297649	294544		297660	A-260269	
600	1200	3	550-600	297649	294544	320622	297660	B-297374	B-294950
600	1200	3*	110-120	297641	294544	297627	297661	A-260270	
600	1200	3*	190-208	297642	294544	297629	297661	A-260271	
600	1200	3*	190-208	297642	295542	297629	297661	A-297855	
600	1200	3*	190-208	297642	294544	297629	297661	B-297855	B-294951
600	1200	3*	220-240	297645	294544	297629	297661	A-260272	
600	1200	3*	220-240	297645	295542	297629	297661	A-297857	
600	1200	3*	220-240	297645	294544	297629	297661	B-297857	B-294952
600	1200	3*	380-416	297646	294544	297630	297661	A-260273	
600	1200	3*	380-416	297646	295543	297630	297661	A-297859	
600	1200	3*	380-416	297646	294544	297630	297661	B-297859	B-294953
600	1200	3*	440-480	297647	294544	297629	297661	A-260274	
600	1200	3*	440-480	297647	295543	297630	297661	A-297587	
600	1200	3*	440-480	297647	294544	297629	297661	B-297587	B-294954
600	1200	3*	550-600	297648	294544	297652	297661	A-260275	
600	1600	3	110-120		294544			A-260276	
600	1600	3	190-208	297620	294544	297627	297633	A-260277	
600	1600	3	190-208	297620	295542	297627	297633	A-297860	
600	1600	3	190-208	297620	294544	297627	297633	B-297860	B-294955
600	1600	3	220-240	297620	294544	297629	297633	A-260278	
600	1600	3	220-240	297620	295542	297629	297633	A-297861	

* This 3-pole contactor assembly has an overlapping neutral.

Use the serial number and contactor assembly number to determine part numbers when coil, rectifier, resistor, and spring numbers differ within the same system voltage. See chart on page 38 for serial number ranges.

& Contactor is purchased, wired in-house, and then stocked under a new part number. See chart on page 51 for cross-reference.

Contactor Assemblies and Components

Voltage Class	Amps.	Poles	System Voltage	Coil#	Rectifier#	Resistor#	Spring(s)#	Contactor Assembly	Service Contactor
600	1600	3	220-240	297620	294544	297629	297633	B-297861	B-294956
600	1600	3	380-416	297621	294544	297650	297633	A-260279	
600	1600	3	380-416	297621	295543	297631	297633	A-297862	
600	1600	3	380-416	297621	294544		297633	B-297862	B-294957
600	1600	3	440-480	297622	294544	297631	297633	A-260280	
600	1600	3	440-480	297622	295543	297631	297633	A-297588	
600	1600	3	440-480	297622	294544	297631	297633	B-297588	B-294958
600	1600	3	550-600		294544	297630		A-260281	
600	1600	3*	110-120		294544			A-260282	
600	1600	3*	190-208	297620	294544	297627		A-260283	
600	1600	3*	190-208	297620	294544	297627	297634	B-297922	B-294959
600	1600	3*	220-240	297620	294544	297629		A-260284	
600	1600	3*	220-240	297620	294544	297629	297634	B-297926	B-294960
600	1600	3*	380-416		294544	297650		A-260285	
600	1600	3*	380-416		294544		297634	B-297930	B-294961
600	1600	3*	440-480	297622	294544	297631	297634	A-260286	
600	1600	3*	440-480	297622	295543	297631	297634	A-297589	
600	1600	3*	440-480	297622	294544	297631	297634	B-297589	B-294962
600	1600	3*	550-600		294544	297630		A-260287	
600	2000	3	110-120		294544			A-260288	
600	2000	3	190-208	297620	294544	297627	297633	A-260289	
600	2000	3	190-208	297620	295542	297627	297633	A-297863	
600	2000	3	190-208	297620	294544	297627	297633	B-297863	B-294963
600	2000	3	220-240	297620	294544	297629	297633	A-260290	
600	2000	3	220-240	297620	295542	297629	297633	A-297864	
600	2000	3	220-240	297620	294544	297629	297633	B-297864	B-294964
600	2000	3	380-416	297621	294544	297650	297633	A-260291	
600	2000	3	380-416	297621	295543	297631	297633	B-297865	
600	2000	3	440-480	297622	294544	297631	297633	A-260292	
600	2000	3	440-480	297622	295543	297631	297633	A-297590	
600	2000	3	440-480	297622	294544	297631	297633	B-297590	B-294966
600	2000	3	550-600		294544	297630		A-260293	
600	2000	3*	110-120		294544			A-260294	
600	2000	3*	190-208	297620	294544	297627		A-260295	
600	2000	3*	190-208	297620	294544	297627	297634	B-297936	B-294967
600	2000	3*	220-240	297620	294544	297629		A-260296	
600	2000	3*	220-240	297620	294544	297629	297634	B-297941	B-294968
600	2000	3*	380-416		294544	297650		A-260297	
600	2000	3*	380-416		294544		297634	B-297944	B-294969
600	2000	3*	440-480	297622	294544	297631	297634	A-260298	
600	2000	3*	440-480	297622	295543	297631	297634	A-297591	
600	2000	3*	440-480	297622	294544	297631	297634	B-297591	B-294970
600	2000	3*	550-600		294544	297630		A-260299	
600	3000	3	110-120		294544			A-260300	
600	3000	3	190-208	297619	294544	297627	297635 297636	A-260301	
600	3000	3	190-208	297619	295542	297627	297635 297636	A-297866	
600	3000	3	190-208	297619	294544	297627	297635 297636	B-297866	B-294971
600	3000	3	220-240	297620	294544	297627	297635 297636	A-260302	
600	3000	3	220-240	297620	295542	297627	297635 297636	A-297880	
600	3000	3	220-240	297620	294544	297627	297635 297636	B-297880	B-294972

* This 3-pole contactor assembly has an overlapping neutral.

Use the serial number and contactor assembly number to determine part numbers when coil, rectifier, resistor, and spring numbers differ within the same system voltage. See chart on page 38 for serial number ranges.

& Contactor is purchased, wired in-house, and then stocked under a new part number. See chart on page 51 for cross-reference.

Contactors Assemblies and Components

Voltage Class	Amps.	Poles	System Voltage	Coil#	Rectifier#	Resistor#	Spring(s)#	Contactor Assembly	Service Contactor
600	3000	3	380-416	297621	294544		297635 297636	A-260303	
600	3000	3	440-480	297622	294544		297635 297636	A-260304	
600	3000	3	440-480	297622	295543	297628	297635 297638	A-297592	
600	3000	3	440-480	297622	294544	320624	297638 297636	B-297592	B-294973
600	3000	3	550-600	297624	294544	297632	297635 297636	A-260305	
600	3000	3*	110-120		294544			A-260306	
600	3000	3*	190-208	297619	294544	297627	297635 297636	A-260307	
600	3000	3*	220-240	297620	294544	297627	297635 297636	A-260308	
600	3000	3*	380-416	297621	294544		297635 297636	A-260309	
600	3000	3*	440-480	297622	294544		297635 297636	A-260310	
600	3000	3*	440-480	297622	295543	297628	297635 297639	A-297593	
600	3000	3*	440-480	297622	294544	320625	297635 297636	B-297593	B-294974
600	3000	3*	550-660		294544		297635 297636	A-260311	
600	4000	3	110-120		294544			A-260312	
600	4000	3	190-208		294544	297629	297638 297639	A-260313	
600	4000	3	220-240	297620	294544	297631	297638 297639	A-260314	
600	4000	3	380-416		294544		297638 297639	A-260315	
600	4000	3	440-480	297623	294544		297638 297639	A-260316	
600	4000	3	440-480	297623	295543	297630	297635 297639	A-297594	
600	4000	3	440-480	297623	294544	320626	297638 297639	B-297594	B-294976
600	4000	3	550-600		294544		297638 297639	A-260317	
600	4000	3*	110-120		294544			A-260318	
600	4000	3*	190-208	297619	294544	297627	297638 297639	A-260319	
600	4000	3*	220-240		294544		297638 297639	A-260320	
600	4000	3*	380-416		294544		297638 297639	A-260321	
600	4000	3*	440-480	297623	294544		297638 297639	A-260322	
600	4000	3*	440-480	297623	295543	297630	297639 297640	A-297595	
600	4000	3*	440-480	297623	294544	320626	297639 297638	B-297595	B-294977
600	4000	3*	550-600		294544		297638 297639	A-260323	

* This 3-pole contactor assembly has an overlapping neutral.

Use the serial number and contactor assembly number to determine part numbers

when coil, rectifier, resistor, and spring numbers differ within the same system voltage. See chart on page 38 for serial number ranges.

& Contactor is purchased, wired in-house, and then stocked under a new part number. See chart on page 51 for cross-reference.

Contactor Assemblies and Components

Use the chart below to identify the part number of re-wired contactors.

Re-wired Contactor Part Numbers

Purchased Part Number	Stock Part Number
A-295472	A-353092
A-295477	A-353094
A-295480	A-353096
A-295482	A-353098
A-295485	A-353099
A-295489	A-353100
A-295491	A-353102
A-295493	A-353103
A-295400	A-295900
A-295401	A-295901
A-295402	A-295902
A-295403	A-295903
A-295404	A-295904
A-295405	A-295905
A-297297	A-353097
A-297364	A-353101
A-297832	A-353093

TP-5645 5/97b

© Kohler Co., 1996, 1997. All rights reserved.

KOHLER[®] POWER SYSTEMS

KOHLER CO. Kohler, Wisconsin 53044
Phone 920-565-3381, Web site www.kohlergenerators.com
Fax 920-459-1646 (U.S.A. Sales), Fax 920-459-1614 (International)
For the nearest sales and service outlet in U.S.A. and Canada
Phone 1-800-544-2444