

Parts Catalog

DETROIT DIESEL



Engine

Generator Model:
2000 kW

Engine Series:
149

Engine Model:
91637KZ6

GENERAL INFORMATION

This customized parts catalog contains information specific to the customer serial number. All engine components in this catalog are divided into major groups of functionally related parts. A listing of the groups and their sub-groups appears under "Group Nomenclature" of this section.

The Alphabetical Index is particularly helpful when only a part name is known and the group can not readily be determined. Parts are listed alphabetically by noun name, followed by a description of the application of the part and the final group location.

Unlike the normal parts catalog this book does not contain types. The listing of parts is separated only by a group identification (e.g. 1.1000 for cylinder blocks). Components of major assemblies will follow the assembly. The order in which parts are listed is the same as the normal parts catalog.

Also included in the last pages of this catalog is a listing of various supplies required to maintain your engine.

The data in this publication is based on information known to Detroit Diesel at the time of printing. While every care and effort has been taken to ensure the accuracy of all information, engine modifications or subsequent engineering changes or enhancements may cause certain data to be superseded or rendered obsolete. Detroit Diesel reserves the right to make changes to this catalog at any time without notice.

If additional assistance is needed please contact your authorized Detroit Diesel service outlet.

IMPORTANT ENGINE INFORMATION

Your engine serial number should be kept readily available. It can be used to identify your model as well as ALL service parts including kits, sets, warranty information and extended coverage available.

MEXICO
Detroit Diesel-A Allison de
Mexico S.A.
Retoma 2877
Colon, Oaximela
Mexico D.F. 05000 Mexico
Phone: (52) 5-270-2880
Fax: (52) 5-270-3109

AFRICA (EMA) REGION
The Netherlands
Ridderpoort 3
P.O. Box 4181
2880 GD Ridderkerk
The Netherlands
Phone: (31) 1804-63241
Fax: (31) 1804-62082

EUROPE, MIDDLE EAST,
Australia
Beaumont, Victoria 3193
13 Lyette Ave.
Phone: (61) 3-5885181
Fax: (61) 3-5893454

ASIAN REGION
Singapore
7 Jurong Pier Rd.
Singapore 2271
Phone: (65) 265-4887
Fax: (65) 265-8330

LATIN AMERICAN REGION
Miami, Florida
2277 N.W. 14th Street
Miami, FL 33125-0088
Phone: (305) 837-1858
Fax: (305) 637-1880

CANADIAN REGION
London, Ontario
Detroit Diesel of Canada Ltd.
150 Dufferin Ave., Suite 701
London, ON N6A 5N8
Phone: (519) 681-0149
Fax: (519) 681-0171

WESTERN REGION
Downey, California
10645 Studebaker Road
Downey, CA 90241
Phone: (310) 623-7018
Fax: (310) 884-0502

SOUTHWESTERN REGION
Dallas, Texas
2711 LBJ Freeway
Suite 1038
Dallas, TX 75234
Phone: (214) 247-4313
Fax: (214) 247-2018

CENTRAL REGION
Detroit, Michigan
13400 Outer Drive West
Detroit, MI 48239-4001
Phone: (313) 585-5980
Fax: (313) 585-5158

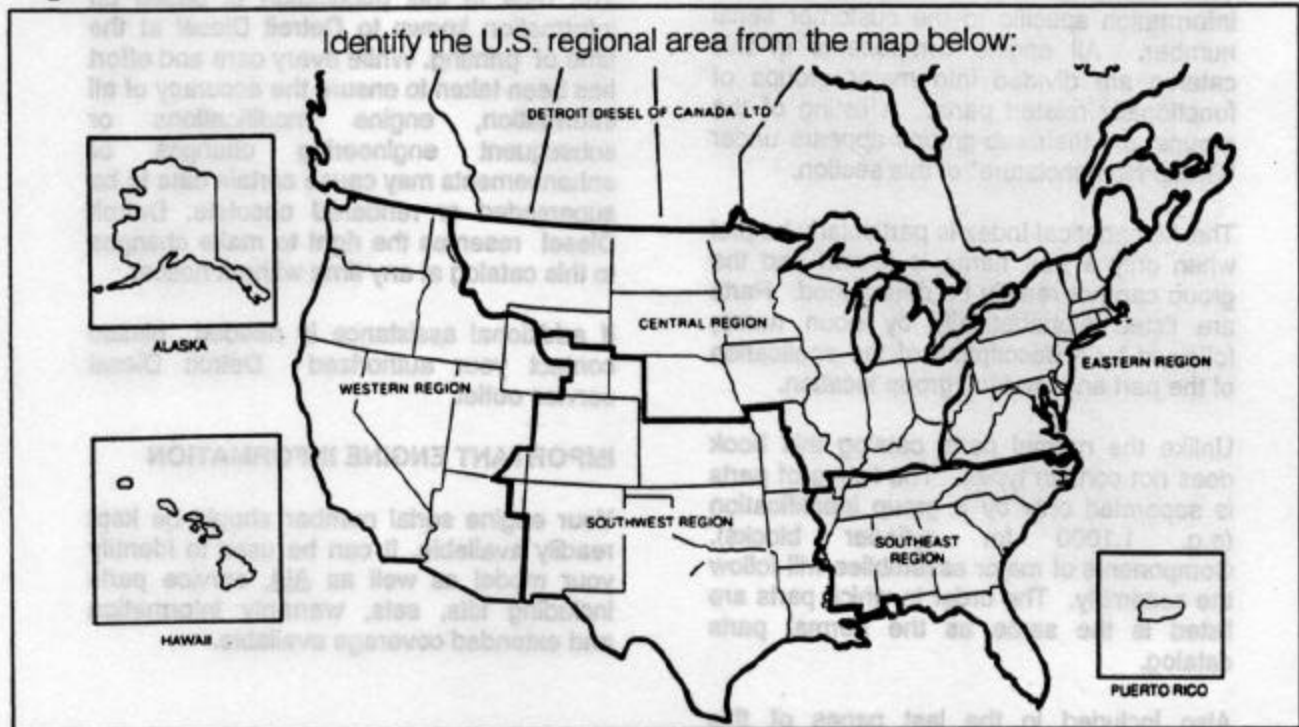
SOUTHEASTERN REGION
Atlanta, Georgia
5105 Bowden Road
P.O. Box 18428
Jacksonville, FL 32245-6428
Phone: (904) 448-8833
Fax: (904) 448-2444

EASTERN REGION
Long Branch, New Jersey
187 Monmouth Park Highway
West Long Branch, NJ 07784
Phone: (908) 222-1888
Fax: (908) 222-3411

CUSTOMER ASSISTANCE

The satisfaction and goodwill of the owners of Detroit Diesel engines are of primary concern to Detroit Diesel Corporation and its distributor/dealer organizations.

As the owner of a Detroit Diesel product you have a complete network of over 3,000 Detroit Diesel service outlets in the U.S. and Canada, plus many outlets worldwide that are prepared to meet your parts and service needs:



EASTERN REGION

Long Branch, New Jersey
187 Monmouth Park Highway
West Long Branch, NJ 07764
Phone: (908) 222-1888
Fax: (908) 222-3411

SOUTHEASTERN REGION

Atlanta, Georgia
5105 Bowden Road
P.O. Box 16426
Jacksonville, FL 32245-6426
Phone: (904) 448-8833
Fax: (904) 448-2444

CENTRAL REGION

Detroit, Michigan
13400 Outer Drive, West
Detroit, MI 48239-4001
Phone: (313) 592-5990
Fax: (313) 592-5158

SOUTHWESTERN REGION

Dallas, Texas
2711 LBJ Freeway
Suite 1036
Dallas, TX 75234
Phone: (214) 247-4313
Fax: (214) 247-4316

WESTERN REGION

Downey, California
10645 Studebaker Road
Downey, CA 90241
Phone: (310) 929-7016
Fax: (310) 864-0502

CANADIAN REGION

London, Ontario
Detroit Diesel of Canada Ltd.
150 Dufferin Ave., Suite 701
London, ON N6A 5N6
Phone: (519) 661-0149
Fax: (519) 661-0171

LATIN AMERICAN REGION

Miami, Florida
2277 N.W. 14th Street
Miami, FL 33125-0068
Phone: (305) 637-1555
Fax: (305) 637-1580

ASIAN REGION

Singapore
7 Jurong Pier Rd.
Singapore 2261
Phone: (65) 265-4697
Fax: (65) 265-9530

PACIFIC REGION

Australia
13 Lynette Ave.
Beaumaris, Victoria 3193
Australia
Phone: (61) 3-5895181
Fax: (61) 3-5893424

EUROPE, MIDDLE EAST, AFRICA (EMA) REGION

The Netherlands
Ridderpoort 9
P.O. Box 4161
2980 GD Ridderkerk
The Netherlands
Phone: (31) 1804-63541
Fax: (31) 1804-62062

MEXICO

Detroit Diesel-Allison de Mexico, S.A.
Reforma 2977
Colonia, Cuajimalpa
Mexico, D.F. 05000, Mexico
Phone: (52) 5-570-3860
Fax: (52) 5-570-3109

GROUP NOMENCLATURE

<p>1.0000 ENGINE Description</p> <p>1.1000 Cylinders</p> <p>1.1000A Air-Blast</p> <p>1.2000 Cylinders</p> <p>1.3000A Engine Other Engines</p> <p>1.3000 Crankshaft, Oil Sumps and Shafts</p> <p>1.3000A Crankshaft</p> <p>1.3000B Valve</p> <p>1.3000C Crankshaft Pulley</p> <p>1.3000D Crankshaft Drive Bolt</p> <p>1.4000A Flywheel</p> <p>1.5000A Flywheel Housing</p> <p>1.5000B Flywheel Housing Adapter</p> <p>1.6000 Connecting Rod and Pin</p> <p>1.7000 Crankshaft and Gear Teeth</p> <p>1.7000A Balance Weights</p> <p>1.7000B Accessory Drive</p> <p>1.8000 Valve Injection Operating Mechanism</p> <p>1.8000A Fueler Coupler</p> <p>2.0000 PUMP SYSTEM</p> <p>2.1000A Fuel Injector</p> <p>2.1000B Electronic Injector Control</p> <p>2.2000 Fuel Tank</p> <p>2.3000A Fuel Lines and Fuel Control (Twin and Quad)</p> <p>2.3000B Fuel Tank</p> <p>2.4000A Electric Governor</p> <p>2.4000B Mechanical Governor</p> <p>2.5000A Hydraulic Governor</p> <p>2.6000 Injection Controls</p> <p>2.7000 Injector Controls (Twin and Quad)</p> <p>2.8000A Throttle Controls</p> <p>2.8000B Throttle Controls (Twin and Quad)</p> <p>3.0000 AIR SYSTEM</p> <p>3.1000A Air Cleaner and/or Adapter</p> <p>3.2000A Air Filter</p> <p>3.3000A Air Inlet Housing</p> <p>3.3000B Air Inlet Manifold</p> <p>3.4000 Steam and Dies</p> <p>3.4000A Water Drive Shaft</p> <p>3.4000B Water Inlet Plate Cover</p> <p>3.5000A Turbocharger, Intercooler, and Aftercooler</p> <p>4.0000 LUBRICATING SYSTEM</p> <p>4.1000A Oil Pump</p> <p>4.1000B Oil Distribution System</p> <p>4.1000C Oil Pressure Regulator</p> <p>4.2000A Oil Filter</p> <p>4.3000A Oil Flow Lines</p> <p>4.4000A Oil Cooler and Water Gear Unit</p> <p>4.5000A Oil Filter</p> <p>4.6000A Siphon</p> <p>4.7000A Oil Pan</p> <p>4.8000A Venting System</p> <p>5.0000 COOLING SYSTEM</p> <p>5.1000 Fan Drive Drive</p> <p>5.1000A Water Pump Drive</p> <p>5.2000A Water Cooler Manifold and/or Drive</p> <p>5.2000B Thermostat</p> <p>5.2000C Water Spray Tube</p> <p>5.3000A Radiator</p>	<p>6.0000 COOLING SYSTEM (CONT'D)</p> <p>6.1000A Water Circulators</p> <p>6.2000A Fan</p> <p>6.3000A Heat Exchanger or Cool Cooling</p> <p>6.4000A Raw Water Pump</p> <p>6.5000A Water Filter</p> <p>6.6000A Water Filter</p> <p>6.7000A Exhaust Manifold and/or Connections</p> <p>6.8000A Exhaust Manifold and/or Connections</p> <p>7.0000 ELECTRICAL INSTRUMENTS</p> <p>7.1000A Battery Charging Solenoid</p> <p>7.2000A Battery Cables</p> <p>7.3000A Ammeter Reading</p> <p>7.4000A Ammeter Reading (Twin and Quad)</p> <p>7.4000B Towing Meter</p> <p>7.4000C Voltmeter</p> <p>7.4000D Tachometer (Twin and Quad)</p> <p>7.4000E Tachometer Drive</p> <p>7.4000F Tachometer Drive (Twin and Quad)</p> <p>7.4000G Ignition, Alarm and O.E. Governor</p> <p>7.4000H Ignition, Alarm and O.E. Governor (Twin and Quad)</p> <p>7.5000A Power Generator</p> <p>7.6000A Control Cabinet</p> <p>7.7000A Control Cabinet (Twin and Quad)</p> <p>7.7000B "Log Recorder"</p> <p>7.7000C Throttle and Gear Control System Electronic</p> <p>7.7000D CRT and LED Display System Electronic</p> <p>7.8000A Air Heater</p> <p>7.8000B Air Heater (Twin and Quad)</p> <p>7.9000A Hydraulic Governor Solenoid</p> <p>8.0000 POWER TAKE-OFF</p> <p>8.1000A Power Take-off and/or Clutch</p> <p>8.1000B Power Take-off and/or Clutch (Twin and Quad)</p> <p>8.2000A Torque Converter</p> <p>8.2000B Torque Converter (Twin and Quad)</p> <p>8.3000A Hydramaxion Unit</p> <p>9.0000 TRANSMISSION AND PROPULSION</p> <p>9.1000A Hydraulic Motor Unit</p> <p>9.1000B Hydraulic Motor Unit (Twin and Quad)</p> <p>9.2000A Gearbox and Reduction Gear (reversible)</p> <p>9.2000B Power Transfer Unit</p> <p>9.3000A Power Transfer Unit (Twin and Quad)</p> <p>9.4000 Transmission—Highway</p> <p>9.5000A Transmission—Off Highway</p> <p>9.5000B Transmission—Off Highway</p> <p>10.0000 SHEET METAL</p> <p>10.1000A Engine Hull</p> <p>11.0000 ENGINE MOUNTING</p> <p>11.1000A Engine Mounting and Base</p> <p>11.1000B Engine Mounting and Base (Twin and Quad)</p> <p>12.0000 ACCESSORIES</p> <p>12.1000A Slip Pump</p> <p>12.2000A Vacuum Pump</p> <p>12.3000A Air Compressor</p> <p>12.3000B Hydraulic Pump</p> <p>12.3000C Gasoline Starter</p> <p>12.4000A Air Starter</p> <p>12.5000A Cold Weather Starting Aid</p> <p>12.5000B Hydraulic Starter</p> <p>12.6000A Hydraulic Starter Accessories</p> <p>12.7000A Accessories—Protective Parts</p> <p>12.8000A Sprocket</p> <p>12.9000A Propeller Mount</p> <p>12.9000B Wheelchairs Drive Shafts and Gears</p> <p>12.9000C Wheelchairs Drive Parts/Shafts</p>
---	--

DETROIT DIESEL

Custom Parts Catalog

ENGINE DESCRIPTION

SERIAL NUMBER: 20E0200125

SERIES NUMBER: 149

MODEL NUMBER: 91637KZ6

GROUP NOMENCLATURE

<p>1.0000 ENGINE (less major assemblies)</p> <p>1.1000 Cylinder Block</p> <p>1.1000A Air Box Drains</p> <p>1.2000 Cylinder Head</p> <p>1.2000A Engine Lifter Bracket</p> <p>1.3000 Crankshaft, Oil Seals and Stabilizers</p> <p>1.3000A Crankshaft Front Cover</p> <p>1.3000B Vibration Damper</p> <p>1.3000C Crankshaft Pulley</p> <p>1.3000D Crankshaft Pulley Belt</p> <p>1.4000A Flywheel</p> <p>1.5000A Flywheel Housing</p> <p>1.5000B Flywheel Housing Adaptor</p> <p>1.6000 Connecting Rod and Piston</p> <p>1.7000 Camshaft and Gear Train</p> <p>1.7000A Balance Weight Cover</p> <p>1.7000B Accessory Drive</p> <p>1.8000 Valve Injector Operating Mechanism</p> <p>1.8000A Rocker Cover</p> <p>2.0000 FUEL SYSTEM</p> <p>2.1000A Fuel Injector</p> <p>2.1000B Electronic Injector Controls</p> <p>2.2000 Fuel Pump</p> <p>2.2000A Fuel Pump Drain</p> <p>2.3000A Fuel Filter and Strainer</p> <p>2.3000A Fuel Filter and Strainer (Twin and Quad)</p> <p>2.4000 Fuel Manifold and/or Connections</p> <p>2.4000A Dual Fuel System</p> <p>2.5000A Fuel Lines and Fuel Cooler</p> <p>2.5000A Fuel Lines and Fuel Cooler (Twin and Quad)</p> <p>2.6000A Fuel Tank</p> <p>2.6000B Electric Governor</p> <p>2.7000A Mechanical Governor</p> <p>2.8000A Hydraulic Governor</p> <p>2.9000 Injector Controls</p> <p>2.9000 Injector Controls (Twin and Quad)</p> <p>2.9000A Throttle Controls</p> <p>2.9000A Throttle Controls (Twin and Quad)</p> <p>3.0000 AIR SYSTEM</p> <p>3.1000A Air Cleaner and/or Adaptor</p> <p>3.2000A Air Silencer</p> <p>3.3000A Air Inlet Housing</p> <p>3.3000C Air Intake Manifold</p> <p>3.4000 Blower and Drive</p> <p>3.4000A Blower Drive Shaft</p> <p>3.4000B Blower End Plate Cover</p> <p>3.5000A Turbocharger, Intercooler, and Aftercooler</p> <p>4.0000 LUBRICATING SYSTEM</p> <p>4.1000A Oil Pump</p> <p>4.1000B Oil Distribution System</p> <p>4.1000C Oil Pressure Regulator</p> <p>4.2000A Oil Filter</p> <p>4.3000A Oil Filter Lines</p> <p>4.4000A Oil Cooler and Marine Gear Lines</p> <p>4.5000A Oil Filler</p> <p>4.6000A Dipstick</p> <p>4.7000A Oil Pan</p> <p>4.8000A Ventilating System</p> <p>5.0000 COOLING SYSTEM</p> <p>5.1000 Fresh Water Pump</p> <p>5.1000A Fresh Water Pump Cover</p> <p>5.2000A Water Outlet Manifold and/or Elbow</p> <p>5.2000B Thermostat</p> <p>5.2000C Water Bypass Tube</p> <p>5.3000A Radiator</p>	<p>5.0000 COOLING SYSTEM (CONT'D)</p> <p>5.3000B Water Connections</p> <p>5.4000A Fan</p> <p>5.4000B Fan Shroud</p> <p>5.5000A Heat Exchanger or Keel Cooling</p> <p>5.6000A Raw Water Pump</p> <p>5.7000A Water Filter</p> <p>6.0000 EXHAUST SYSTEM</p> <p>6.1000A Exhaust Manifold and/or Connections</p> <p>6.2000A Exhaust Muffler and/or Connections</p> <p>7.0000 ELECTRICAL INSTRUMENTS</p> <p>7.1000A Battery Charging Generator</p> <p>7.2000A Battery Cables</p> <p>7.2000B Automatic Starting</p> <p>7.2000B Automatic Starting (Twin and Quad)</p> <p>7.3000A Starting Motor</p> <p>7.4000A Instruments</p> <p>7.4000A Instruments (Twin and Quad)</p> <p>7.4000B Tachometer Drive</p> <p>7.4000B Tachometer Drive (Twin and Quad)</p> <p>7.4000C Shutoff, Alarm and O.S. Governor</p> <p>7.4000C Shutoff, Alarm and O.S. Governor (Twin and Quad)</p> <p>7.5000A Power Generator</p> <p>7.6000A Control Cabinet</p> <p>7.6000A Control Cabinet (Twin and Quad)</p> <p>7.7000A Wiring Harness</p> <p>7.7000B Throttle and Gear Control System Electronic</p> <p>7.7000C CRT and LCD Display System Electronic</p> <p>7.8000A Air Heater</p> <p>7.8000A Air Heater (Twin and Quad)</p> <p>7.9000A Hydraulic Governor Solenoid</p> <p>8.0000 POWER TAKE-OFF</p> <p>8.1000A Power Take-off and/or Clutch</p> <p>8.1000A Power Take-off and/or Clutch (Twin and Quad)</p> <p>8.3000A Torque Converter</p> <p>8.3000A Torque Converter (Twin and Quad)</p> <p>8.3000B Transmission Lines</p> <p>9.0000 TRANSMISSION AND PROPULSION</p> <p>9.1000A Hydraulic Marine Gear</p> <p>9.1000A Hydraulic Marine Gear (Twin and Quad)</p> <p>9.2000A Reverse and Reduction Gear (mechanical)</p> <p>9.3000A Power Transfer Gear</p> <p>9.3000A Power Transfer Gear (Twin and Quad)</p> <p>9.4000 Transmission—Highway</p> <p>9.7000 Transmission—Off-highway</p> <p>9.9000 Transmission—Rail Car</p> <p>10.0000 SHEET METAL</p> <p>10.1000A Engine Hood</p> <p>11.0000 ENGINE MOUNTING</p> <p>11.1000A Engine Mounting and Base</p> <p>11.1000A Engine Mounting and Base (Twin and Quad)</p> <p>12.0000 MISCELLANEOUS</p> <p>12.2000A Bilge Pump</p> <p>12.3000A Vacuum Pump</p> <p>12.4000A Air Compressor</p> <p>12.5000A Hydraulic Pump</p> <p>12.6000A Gasoline Starter</p> <p>12.6000B Air Starter</p> <p>12.6000C Cold Weather Starting Aid</p> <p>12.6000D Hydraulic Starter</p> <p>12.6000E Hydraulic Starter Accessories</p> <p>12.7000A Appearance Package Parts</p> <p>12.8000A Supplies</p> <p>12.8000B Fabrication Material</p> <p>12.8000C Miscellaneous Service Kits and Sets</p> <p>12.8000D Miscellaneous Service Parts/Reliability</p>
--	--

DECEMBER 1991

COPYRIGHT 1991 DETROIT DIESEL CORPORATION

ALPHABETICAL INDEX

PART NAME	GROUP NO.	PART NAME	GROUP NO.
A		B	
ACCESSORY DRIVE	1. 7000B	BALL AND SEAT ASSY., INJECTOR ROCKER ARM	1. 8090
ACTUATOR ASSEMBLY GEAR	7. 7460	BALL HEAD ASSY., GOVERNOR	2. 8560
ACTUATOR ASSY., GOVERNOR	2. 8505	BASE KIT, GOVERNOR	2. 8690
ACTUATOR ASSY., GOVERNOR	2. 7003	BASE, GOVERNOR	8. 3380
ACTUATOR, TROLL VALVE	7. 7422	BATTERY, CHARGING GENERATOR	7. 1000A
ADAPTOR ASSY., BLOWER BYPASS	3. 5750	BEARING, ACCESSORY DRIVE	1. 7655
ADAPTOR ASSY., OVERSPEED VALVE DRIVE CABLE	7. 4587	BEARING, BLOWER ROTOR FRONT	3. 4040
ADAPTOR, ACCESSORY DRIVE	1. 7622	BEARING, BLOWER ROTOR REAR	3. 4060
ADAPTOR, AIR COMPRESSOR	12.4020	BEARING, CAMSHAFT GEAR	1. 7204
ADAPTOR, AIR INLET HOUSING	3. 3004	BEARING, CAMSHAFT INTERMEDIATE	1. 7040
ADAPTOR, BLOWER BYPASS	3. 5755	BEARING, CLUTCH PILOT	1. 4040
ADAPTOR, CRANKSHAFT-FRONT	1. 3005	BEARING, FAN SHAFT	5. 4110
ADAPTOR, DIPSTICK	4. 6030	BEARING, FRESH WATER PUMP	5. 1070
ADAPTOR, EXHAUST PIPE	6. 1190	BEARING, FUEL PUMP	2. 2060
ADAPTOR, FLANGE MOUNTED ALTERNATOR	7. 1588	BEARING, GENERATOR DRIVE	7. 1535
ADAPTOR, FLYWHEEL HOUSING	1. 5130	BEARING, GOVERNOR DRIVE THRUST	2. 8830
ADAPTOR, FUEL PUMP DRIVE	2. 2260	BEARING, GOVERNOR DRIVEN SHAFT	2. 8810
ADAPTOR, GOVERNOR DRIVEN	2. 8756	BEARING, GOVERNOR OPERATING SHAFT	8. 3410
ADAPTOR, HYDRAULIC PUMP	12.5020	BEARING, GOVERNOR OPERATING SHAFT-LOWER	2. 7270
ADAPTOR, OIL COOLER	4. 4110	BEARING, GOVERNOR OPERATING SHAFT-UPPER	2. 7260
ADAPTOR, OIL COOLER INLET AND BYPASS	4. 4203	BEARING, GOVERNOR PILOT VALVE PLUNGER THRUST	2. 8610
ADAPTOR, OIL FILLER TUBE	4. 5005	BEARING, GOVERNOR RISER THRUST	8. 3425
ADAPTOR, OIL FILTER ASSY.	4. 2352	BEARING, GOVERNOR ROCKER SHAFT	8. 3440
ADAPTOR, OIL FILTER PRESSURE REGULATOR	4. 2292	BEARING, GOVERNOR THROTTLE SHAFT	2. 7100
ADAPTOR, OVERSPEED TRIP GOVERNOR	7. 4635	BEARING, GOVERNOR VARIABLE SPEED SPRING LEVER	2. 7732
ADAPTOR, TACHOMETER DRIVE CABLE	7. 4420	BEARING, GOVERNOR VARIABLE SPEED SPRING LEVER SHAFT	2. 7712
ADAPTOR, TACHOMETER DRIVE COVER	7. 4457	BEARING, GOVERNOR WEIGHT	2. 7440
ADAPTOR, TACHOMETER DRIVE SHAFT	7. 4436	BEARING, GOVERNOR WEIGHT RISER THRUST	2. 7460
ADAPTOR, TURBOCHARGER EXHAUST OUTLET HOUSING	3. 5324	BEARING, GOVERNOR WEIGHT SHAFT END	2. 7470
ADAPTOR, TURBOCHARGER TO AIR INLET HOUSING	3. 5422	BEARING, IDLER GEAR	1. 7225
ADAPTOR, WATER TEMPERATURE GAGE	7. 4084	BEARING, OVERSPEED GOVERNOR DRIVE	7. 4667
ADAPTOR, WATER TEMPERATURE SWITCH	7. 4509	BEARING, OVERSPEED TRIP GOVERNOR OPERATING SHAFT	7. 4647
ADDITIVE, CURING (THREADLOCK & RTV)	12.8252	BEARING, PISTON PIN	1. 6142
ADDITIVES, DIESEL FUEL	12.8280	BEARING, RAW WATER PUMP	5. 6130
ADDITIVES, SUPPLEMENT COOLANT	12.8260	BEARING, ROTOR ASSY, SHAFT	3. 5027
AIR BOX DRAINS	1. 1000A	BELL, ALARM SYSTEM	7. 4513
AIR CLEANER AND/OR ADAPTOR	3. 1000A	BELT, CRANKSHAFT PULLEY DRIVE	1. 3320
AIR CLEANER ASSY.	3. 1001	BELT, GENERATOR DRIVE	7. 1575
AIR COMPRESSOR	12.4000A	BLADE, FAN HIGH LOW AND CRANKSHAFT MOUNTED	5. 4010
AIR INLET HOUSING	3. 3000A	BLOCK, CYLINDER	1. 1001
AIR STARTER	12.6000B	BLOCK, FUEL SYSTEM JUNCTION	2. 5250
AIR STARTER ASSY.	12.6080	BLOCK, TERMINAL	7. 4547
AIR STRAINER AND LUBRICATION ASSY., AIR STARTER	12.6120	BLOCK, VALVE MOUNTING	3. 5771
AMMETER, BATTERY CHARGING	7. 4015	BLOWER AND DRIVE	3. 4000
APPEARANCE PACKAGE PARTS	12.7000A	BLOWER ASSY.	3. 4001
APPEARANCE PACKAGE PARTS - SECTION 1	12.7001	BLOWER DRIVE SHAFT	3. 4000A
APPEARANCE PACKAGE PARTS - SECTION 3	12.7003	BLOWER KIT, INSTALLATION	3. 4003
APPEARANCE PACKAGE PARTS - SECTION 4	12.7004	BLOWER KIT, REPAIR	3. 4005
APPEARANCE PACKAGE PARTS - SECTION 5	12.7005	BODY ASSY., INJECTOR	2. 1020
ARM ASSY., EXHAUST VALVE ROCKER	1. 8080	BODY, AIR CLEANER	3. 1030
ARM ASSY., INJECTOR ROCKER	1. 8080	BODY, BREATHER OR SEPARATOR	4. 8050
ATTACHING PARTS, CYLINDER BLOCK FRONT TO REAR	1. 1003	BODY, FRESH WATER PUMP	5. 1030
B		BODY, FUEL PUMP	2. 2010
BAFFLE, BREATHER	4. 8025	BODY, GOVERNOR	8. 3370
BAFFLE, OIL PAN	4. 7045		

ALPHABETICAL INDEX

PART NAME	GROUP NO.	PART NAME	GROUP NO.
B			
BODY, OIL PRESSURE REGULATOR AND RELIEF	4. 1680	BRACKET, OIL COOLER WATER INLET TUBE	
BODY, OIL PUMP	4. 1040	SUPPORT	4. 4215
BODY, RAW WATER PUMP	5. 6030	BRACKET, OIL FILTER MOUNTING	2. 8995
BODY, WATER FILTER	5. 7013	BRACKET, OIL PAN GAGE TUBE	4. 7095
BOLT, AIR CLEANER ASSY.	3. 1070	BRACKET, OIL PUMP OUTLET PIPE	4. 1675
BOLT, CRANKSHAFT MAIN BEARING CAP	1. 3140	BRACKET, OVERSPEED TRIP GOVERNOR	
BOLT, ROCKER COVER	1. 8460	SWITCH	7. 4664
BOOT, ACTUATOR CONTROL LINK	2. 7016	BRACKET, THROTTLE BOOSTER SPRING	2. 9344
BOOT, GOVERNOR TO INJECTOR LINK	2. 6635	BRACKET, THROTTLE CONTROL SOLENOID	2. 9357
BOOT, INJECTOR CONTROL TUBE LINK	2. 6525	BRACKET, TORQUE CONVERTER OUTPUT	
BOOT, INJECTOR CONTROL TUBE LINK	2. 8950	SHAFT GOVERNOR	8. 3083
BRACKET ASSY., ACTUATOR MOUNTING	2. 7015	BRACKET, TURBOCHARGER EXHAUST OUTLET	
BRACKET ASSY., ELECTRONIC CONTROL		ADAPTOR	3. 5330
MODULE MOUNTING	2. 1503	BRACKET, WATER FILTER MOUNTING	3. 5537
BRACKET, ACTUATOR MOUNTING	2. 6530	BRACKET, WATER FILTER MOUNTING	5. 7080
BRACKET, AIR CLEANER MOUNTING	3. 1230	BRACKET, WIRING HARNESS DDEC II	2. 1745
BRACKET, AIR INLET HOUSING SHUTDOWN		BRACKETS, COLLECTOR	4. 8260
CONTROL WIRE	3. 3255	BREATHER ASSY.	4. 8045
BRACKET, AIR SHUTOFF SOLENOID	7. 4530	BRIDGE, EXHAUST VALVE	1. 8343
BRACKET, AIR STARTER	12.6170	BUSHING, BLOWER DRIVE GEAR	1. 7431
BRACKET, BLOWER BYPASS AIR REGULATOR		BUSHING, CRANKSHAFT REAR SUPPORT	1. 5023
VALVE	3. 5795	BUSHING, EXHAUST VALVE ROCKER ARM-	
BRACKET, BOAT BUILDER INTERFACE MODULE	2. 1514	LARGE	1. 8100
BRACKET, BREATHER EXTENSION PIPE	4. 8183	BUSHING, GOVERNOR SHUTDOWN SHAFT	2. 7111
BRACKET, COMPRESSOR SENSOR	2. 1660	BUSHING, GOVERNOR SPEED ADJUSTING	
BRACKET, CONTROL LEVER STOP	2. 9342	TERMINAL SLEEVE	2. 8483
BRACKET, DRAIN TANK MOUNTING	1. 1240	BUSHING, INJECTOR ROCKER ARM-LARGE	1. 8110
BRACKET, ENGINE LIFTER-FRONT	1. 2070	BUSHING, OIL PUMP BODY	4. 1050
BRACKET, ENGINE LIFTER-REAR	1. 2080	BUSHING, OIL PUMP COVER	4. 1240
BRACKET, FAN BELT IDLER PULLEY		BUSHING, OIL PUMP DRIVEN GEAR	4. 1210
ADJUSTING ARM STOP	5. 4346	BUSHING, OVERSPEED TRIP GOVERNOR	
BRACKET, FAN SHAFT	5. 4090	HOUSING	7. 4615
BRACKET, FUEL (BOOST) COOLER MOUNTING	5. 5429	C	
BRACKET, FUEL FILTER MOUNTING	2. 3530	CABLE ASSY., ACTUATOR	2. 6585
BRACKET, FUEL STRAINER MOUNTING	2. 3260	CABLE, FLEXIBLE SHAFT	12.8500
BRACKET, GENERATOR ADJUSTING STRAP	7. 1582	CABLE, TACHOMETER DRIVE FLEXIBLE	7. 4408
BRACKET, GENERATOR DRIVE BELT AND		CAGE, INJECTOR CHECK VALVE	2. 1205
PULLEY GUARD	7. 1587	CAGE, INJECTOR VALVE SPRING	2. 1257
BRACKET, GENERATOR MOUNTING	7. 1595	CAM/PEDESTAL ASSY., ELECTRONIC LIMITER	2. 7318
BRACKET, GOVERNOR FUEL LIMITING AIR		CAM, RAW WATER PUMP BODY OFFSET	5. 6035
CYLINDER	2. 7042	CAMSHAFT AND GEAR TRAIN	1. 7000
BRACKET, GOVERNOR OIL RESERVOIR	2. 6624	CAMSHAFT ASSY.	1. 7001
BRACKET, GOVERNOR OIL RESERVOIR	2. 8907	CAP AND SPACER, FAN HUB	5. 4180
BRACKET, GOVERNOR OPERATING SOLENOID		CAP, CAMSHAFT INTERMEDIATE BEARING	1. 7042
MOUNTING	2. 7306	CAP, CRANKSHAFT MAIN BEARING	1. 3110
BRACKET, GOVERNOR OPERATING SOLENOID		CAP, EXHAUST VALVE SPRING	1. 8350
VALVE	2. 8917	CAP, EXPANSION TANK	5. 5140
BRACKET, GOVERNOR SPEED ADJUSTING		CAP, FAN SHAFT BEARING SPACER	5. 4175
LEVER	2. 8440	CAP, GOVERNOR LOW SPEED SPRING	2. 7580
BRACKET, GOVERNOR SPEED ADJUSTING		CAP, GOVERNOR WEIGHT HOUSING	2. 7510
SHAFT	8. 3455	CAP, INJECTOR FILTER	2. 1130
BRACKET, HEAT EXCHANGER MOUNTING	5. 5070	CAP, INJECTOR SHIPPING	2. 1150
BRACKET, HEAT EXCHANGER RAW WATER		CAP, OIL FILLER	4. 5010
INLET TUBE CLIP	5. 4505	CAP, OVERSPEED TRIP GOVERNOR SPRING	7. 4653
BRACKET, HEAT EXCHANGER RAW WATER		CAP, RADIATOR FILLER	5. 3120
INLET TUBE CLIP	5. 5405	CARRIER AND WEIGHT ASSY., GOVERNOR	2. 7330
BRACKET, ILCC CONTROL VALVE ASSY.	3. 5544	CARRIER, BLOWER HOUSING END PLATE SEAL	
BRACKET, INJECTOR CONTROL TUBE	2. 9003	RING	3. 4158
BRACKET, INTERCOOLER MOUNTING	3. 5428	CARRIER, GOVERNOR WEIGHT SHAFT	2. 7370
BRACKET, LCD MOUNTING	7. 7705	CARRIER, PISTON PIN	1. 6112
BRACKET, LEVER ADJUSTING	3. 5790		
BRACKET, OIL COOLER HOUSING SUPPORT	4. 4100		

ALPHABETICAL INDEX

PART NAME	GROUP NO.
C	
CASING, FLEXIBLE SHAFT	12.8502
CHAIN, OIL FILLER CAP	4. 5030
CLAMP, AIR INLET PIPE HOSE	3. 1280
CLAMP, AMMETER	7. 4020
CLAMP, BLOWER DRIVE COVER PACKING	3. 4227
CLAMP, BREATHER EXTENSION PIPE HOSE	4. 8180
CLAMP, EXHAUST MANIFOLD WATER OUTLET TUBE HOSE	6. 1149
CLAMP, INJECTOR	2. 1270
CLAMP, OIL PRESSURE GAGE	7. 4072
CLAMP, TACHOMETER	7. 4065
CLAMP, TACHOMETER DRIVE ADAPTOR RETAINING	7. 4433
CLAMP, WATER OUTLET MANIFOLD TUBE HOSE	5. 2048
CLAMP, WATER TEMPERATURE GAGE	7. 4082
CLEANER, COOLANT SYSTEM	12.8270
CLIP, AIR BOX DRAIN TUBE	1. 1145
CLIP, AIR COMPRESSOR LUBE OIL TUBE	12.4080
CLIP, AIR COMPRESSOR WATER TUBE	12.4095
CLIP, AIR INLET HOUSING SHUTDOWN CONTROL WIRE	3. 3270
CLIP, DIPSTICK	4. 6040
CLIP, EXPANSION TANK OVERFLOW TUBE	5. 5200
CLIP, FILTER OUTLET TUBE	2. 5156
CLIP, FUEL COOLER INLET LINES	2. 5216
CLIP, FUEL DRAIN	2. 5220
CLIP, FUEL PUMP TO FILTER HOSE	2. 5120
CLIP, FUEL SYSTEM FLEXIBLE HOSE	12.8554
CLIP, INTERCOOLER WATER SUPPLY	3. 5430
CLIP, JUNCTION BLOCK TO FUEL MANIFOLD TUBE	2. 5170
CLIP, OIL COOLER LINES	4. 4345
CLIP, OIL PAN DRAIN TUBE	4. 7101
CLIP, OIL PUMP INLET TUBE	4. 1522
CLIP, OIL PUMP OUTLET PIPE	4. 1570
CLIP, TURBOCHARGER OIL RETURN TUBE	3. 5507
CLIP, TURBOCHARGER OIL SUPPLY TUBE	3. 5502
CLIP, TURBOCHARGER WATER LINE	3. 5527
CLIP, WATER TEMPERATURE GAGE TUBE	7. 4085
COLD WEATHER STARTING AID	12.6000C
COLD WEATHER STARTING AID KIT	12.6301
COLLAR, BLOWER HOUSING END PLATE SEAL RING	3. 4159
COLLAR, GOVERNOR DRIVE SHAFT	2. 8620
COLLAR, TURBOCHARGER ROTOR THRUST	3. 5034
COLLECTOR ASSEMBLY	4. 8200
COMPRESSOR ASSY., AIR	12.4001
COMPUTER ASSEMBLY, GENERAL PURPOSE	7. 7720
CONE, CRANKSHAFT PULLEY	1. 3295
CONNECTING ROD AND PISTON	1. 6000
CONNECTING ROD ASSY.	1. 6001
CONNECTION, CYLINDER HEAD WATER OUTLET	1. 2061
CONNECTION, EXPANSION TANK INLET	5. 3313
CONNECTION, EXPANSION TANK OUTLET	5. 3311
CONNECTION, FRESH WATER PUMP INLET	5. 3327
CONNECTION, HEAT EXCHANGER FRESH WATER OUTLET	5. 5290
CONNECTION, ILCC CONTROL VALVE ASSY.	3. 5550
CONNECTION, INTERCOOLER WATER	3. 5434

PART NAME	GROUP NO.
C	
CONNECTION, OIL COOLER WATER COMPRESSOR	4. 4218
CONNECTION, OIL COOLER WATER INLET	4. 4211
CONNECTION, TACHOMETER SHAFT	8. 3475
CONNECTIONS, BOOST COOLER WATER	5. 5423
CONNECTIONS, COLLECTOR	4. 8250
CONNECTOR, FUEL PIPE	2. 4030
CONNECTOR, TURBOCHARGER EXHAUST INLET	3. 5305
CONTROL ASSY., ACTUATOR	2. 6570
CONTROL ASSY., FAN	5. 4017
CONTROL ASSY., GOVERNOR	2. 7004
COOLER ASSY., FUEL	2. 5212
COOLER ASSY., OIL COOLER	4. 4005
COOLER ASSY., FUEL	5. 5425
CORE ASSY., RADIATOR	5. 3010
CORE, HEAT EXCHANGER	5. 5003
CORE, INTERCOOLER	3. 5433
CORE, OIL COOLER-ENGINE	4. 4001
CORE, OIL COOLER-MARINE GEAR	4. 4002
COUPLING ASSY., POWER TAKE-OFF	8. 1910
COUPLING, ACCESSORY DRIVE	1. 7635
COUPLING, AIR COMPRESSOR DRIVE	12.4050
COUPLING, CAMSHAFT CONNECTING	1. 7004
COUPLING, FUEL PUMP DRIVE	2. 2230
COUPLING, GENERATOR DRIVE-INNER	7. 1560
COUPLING, HYDRAULIC PUMP DRIVE	12.5010
COUPLING, OVERSPEED GOVERNOR DRIVE SHAFT	7. 4862
COUPLING, RAW WATER PUMP DRIVE	5. 6420
COVER ASSY., ACTUATOR CONTROL HOUSING	2. 8610
COVER ASSY., ACTUATOR CONTROL ROD	2. 8550
COVER ASSY., DRIVE	1. 7700
COVER ASSY., GOVERNOR CONTROL HOUSING	2. 8771
COVER ASSY., GOVERNOR-COMPLETE	2. 7045
COVER ASSY., GOVERNOR-LESS SHAFT AND LEVERS	2. 7050
COVER ASSY., ROCKER	1. 8450
COVER, AIR CLEANER	3. 1020
COVER, BLOWER BYPASS ADAPTOR	3. 5758
COVER, BLOWER DRIVE	3. 4200
COVER, BLOWER DRIVE (BETWEEN BLOWERS)	3. 4228
COVER, BLOWER HOUSING END PLATE	3. 4180
COVER, CRANKSHAFT FRONT	1. 3160
COVER, CRANKSHAFT FRONT COVER GOVERNOR HOLE	1. 3175
COVER, CRANKSHAFT FRONT COVER LARGE HOLE	1. 3197
COVER, CRANKSHAFT FRONT COVER SMALL HOLE	1. 3195
COVER, CYLINDER BLOCK AIR BOX	1. 1077
COVER, CYLINDER BLOCK HAND HOLE	1. 1040
COVER, CYLINDER BLOCK WATER HOLE	1. 1060
COVER, EXHAUST MANIFOLD	6. 1015
COVER, EXPANSION TANK KEEL COOLING	5. 5020
COVER, FLYWHEEL HOUSING ACCESSORY HOLE	1. 5081
COVER, FLYWHEEL HOUSING CAM GEAR HOLE	1. 5065
COVER, FUEL FILTER	2. 3390
COVER, FUEL PUMP	2. 2030
COVER, FUEL STRAINER	2. 3080
COVER, GOVERNOR	2. 8040
COVER, GOVERNOR FUEL ROD SPRING	2. 8085

ALPHABETICAL INDEX

PART NAME	GROUP NO.	PART NAME	GROUP NO.
C			
COVER, HEAT EXCHANGER	5. 5030	DRIVE GEAR AND SHAFT ASSY., TACHOMETER	
COVER, HEAT EXCHANGER RAW WATER-INLET	5. 5035	DRIVE CABLE ADAPTOR	7. 4423
COVER, HEAT EXCHANGER RAW WATER-OUTLET	5. 5036	DRIVE UNIT, TACHOMETER	7. 4062
COVER, OIL COOLER BYPASS HOLE	4. 4182	DRIVEN GEAR AND SHAFT ASSY., TACHOMETER DRIVE CABLE ADAPTOR	7. 4425
COVER, OIL COOLER HOUSING	4. 4060		
COVER, OIL FILTER	4. 2290	D	
COVER, OIL PAN	4. 7120		
COVER, OIL PUMP	4. 1220		
COVER, OVERSPEED VALVE	7. 4729	E	
COVER, RAW WATER PUMP	5. 6090	ELBOW OIL COOLER INLET & BYPASS-OIL	4. 4104
COVER, STARTING MOTOR HOLE	1. 5070	ELBOW, BREATHER	4. 8013
COVER, STARTING MOTOR HOLE	7. 3738	ELBOW, FRONT COVER WATER OUTLET	5. 3490
COVER, STARTING MOTOR HOLE	12.6175	ELBOW, OIL COOLER OUTLET-OIL	4. 4105
COVER, TACHOMETER DRIVE	7. 4445	ELBOW, OIL COOLER WATER OUTLET	4. 4220
COVER, THERMOSTAT HOUSING	3. 5531	ELBOW, OIL COOLER WATER OUTLET-AT WATER PUMP	4. 4300
COVER, THERMOSTAT HOUSING WATER OUTLET	5. 2205	ELBOW, RAW WATER PUMP INLET	5. 6573
COVER, WATER FILTER	5. 7034	ELBOW, TURBOCHARGER AIR INLET	3. 5400
COVER, WATER PUMP	5. 1235	ELBOW, TURBOCHARGER AIR OUTLET	3. 5417
CRANKSHAFT ASSY.	1. 3001	ELBOW, WATER OUTLET MANIFOLD	5. 2035
CRANKSHAFT FRONT COVER	1. 3000A	ELECTRIC GOVERNOR	2. 6000B
CRANKSHAFT PULLEY	1. 3000C	ELECTRODE, HEAT EXCHANGER	5. 5010
CRANKSHAFT PULLEY BELT	1. 3000D	ELECTRODE, RAW WATER PUMP	5. 6575
CRANKSHAFT, FRONT SUPPORT ASSY.	1. 3164	ELEMENT, AIR CLEANER	3. 1050
CRANKSHAFT, FRONT SUPPORT BEARING	1. 3165	ELEMENT, FUEL FILTER	2. 3320
CRANKSHAFT, FRONT SUPPORT SEAL RING	1. 3163	ELEMENT, FUEL STRAINER	2. 3010
CRANKSHAFT, OIL SEALS AND STABILIZERS	1. 3000	ELEMENT, INJECTOR FILTER	2. 1110
CRT AND LCD DISPLAY SYSTEM ELECTRONIC CRT DISPLAY ASSEMBLY	7. 7000C	ELEMENT, OIL FILTER	2. 8986
CUP, AIR CLEANER	3. 1010	ELEMENT, OIL FILTER	4. 2250
CUTOUT ASSY., GENERATOR VOLTAGE REGULATOR	7. 1607	ELEMENT, WATER FILTER	5. 7020
CYLINDER ASSY., INJECTOR CONTROL AIR	2. 9090	ENGINE MOUNTING AND BASE	11.1000A
CYLINDER BLOCK	1. 1000	ENGINE, LIFTER BRACKET	1. 2000A
CYLINDER HEAD	1. 2000	EXHAUST MANIFOLD AND/OR CONNECTIONS	6. 1000A
CYLINDER INSTALLATION KIT	1. 6183	EXPANDER, EXHAUST MANIFOLD	6. 1006
CYLINDER KIT	1. 6182	EXTENSION, BLOWER DRIVE GEAR SUPPORT	1. 7439
CYLINDER, AIR BLOWER BYPASS	3. 5788	EYE, THROTTLE BOOSTER ADJUSTING	2. 9348
CYLINDER, GOVERNOR FUEL LIMITING AIR	2. 7040		
D			
DAMPER, CRANKSHAFT FRONT GEAR	1. 7447	F	
DAMPER, CRANKSHAFT FRONT TIMING GEAR	1. 3147	FABRICATION MATERIAL	12.8000B
DAMPER, VIBRATION	1. 3210	FAN	5. 4000A
DEFLECTOR, INJECTOR SPILL	2. 1050	FAN, GENERATOR	7. 1440
DIAPHRAM, OVERSPEED VALVE PISTON	7. 4733	FERRULE AND NUT, FLEXIBLE SHAFT CASING	12.8514
DIPSTICK	4. 6000A	FILTER ASSY., FUEL	2. 3310
DIPSTICK	4. 6001	FILTER ASSY., OIL	4. 2240
DISC, FUEL PUMP DRIVE	2. 2228	FILTER ASSY., OIL-FULL FLOW	2. 8985
DOOR, AIR CLEANER	3. 1018	FILTER ASSY., WATER	5. 7001
DRAINCOCK, EXHAUST MANIFOLD	6. 1130	FILTER UNIT, BREATHER	4. 8060
DRAINCOCK, INTERCOOLER	3. 5435	FILTER, AIR STARTER	12.6087
DRESSING BELT	12.8030	FILTER, COLLECTOR	4. 8210
DRIVE ASSY., ACCESSORY	1. 7600	FILTER, INTERCOOLER WATER SUPPLY	3. 5530
DRIVE ASSY., GENERATOR	7. 1507	FITTING, FUEL SYSTEM FLEXIBLE HOSE END	12.8552
DRIVE ASSY., GOVERNOR	2. 8750	FLANGE AND SEAL ASSY., OVERSPEED VALVE CABLE ADAPTOR	7. 4588
DRIVE ASSY., OVERSPEED GOVERNOR	7. 4660	FLANGE, CAMSHAFT DRIVE	1. 7007
DRIVE ASSY., OVERSPEED VALVE AND TACHOMETER	7. 4750	FLANGE, EXHAUST MANIFOLD WATER OUTLET	6. 1140
		FLANGE, OIL COOLER BYPASS TUBE	4. 4177
		FLANGE, OIL COOLER INLET & OUTLET-OIL	4. 4106
		FLANGE, OIL COOLER WATER OUTLET	4. 4242
		FLANGE, POWER TAKE-OFF	8. 1912
		FLYWHEEL	1. 4000A
		FLYWHEEL ASSY.	1. 4001

ALPHABETICAL INDEX

PART NAME	GROUP NO.	PART NAME	GROUP NO.
F		G	
FLYWHEEL HOUSING ADAPTOR	1. 5000B	GASKET, CRANKSHAFT FRONT COVER SMALL HOLE COVER	1. 3196
FLYWHEEL, HOUSING	1. 5000A	GASKET, CYLINDER BLOCK AIR BOX COVER	1. 1087
FOLLOWER, INJECTOR	2. 1060	GASKET, CYLINDER BLOCK HAND HOLE COVER	1. 1050
FORK, FUEL PUMP COUPLING	2. 2220	GASKET, CYLINDER BLOCK WATER HOLE COVER	1. 1070
FORK, GOVERNOR OPERATING	8. 3430	GASKET, CYLINDER HEAD COMPRESSION	1. 2010
FORK, GOVERNOR OPERATING SHAFT-LOWER	2. 7290	GASKET, CYLINDER HEAD WATER AND OIL	1. 2022
FORK, GOVERNOR SPEED ADJUSTING LINKAGE SPRING	2. 8435	GASKET, CYLINDER HEAD WATER OUTLET CONNECTION	1. 2062
FRESH WATER PUMP	5. 1000	GASKET, DIPSTICK ADAPTOR PLATE	4. 8081
FRESH, WATER PUMP COVER	5. 1000A	GASKET, DRIVE TO ACTUATOR	2. 8605
FUEL FILTER AND STRAINER	2. 3000A	GASKET, DRIVE TO GOVERNOR	2. 8760
FUEL INJECTOR	2. 1000A	GASKET, EXHAUST MANIFOLD	8. 1010
FUEL LINES AND FUEL COOLER	2. 5000A	GASKET, EXHAUST MANIFOLD COVER	8. 1017
FUEL MANIFOLD AND/OR CONNECTIONS	2. 4000	GASKET, EXHAUST MANIFOLD COVER PLATE	8. 1110
FUEL PUMP	2. 2000	GASKET, EXHAUST MANIFOLD OUTLET	8. 1060
G		GASKET, EXHAUST PIPE ADAPTOR	8. 1195
GAGE, OIL PRESSURE-ENGINE	7. 4070	GASKET, EXPANSION TANK	5. 5002
GAGE, OIL PRESSURE-REVERSE GEAR OR TORQUE CONVERTER	7. 4071	GASKET, EXPANSION TANK FILLER NECK	5. 5130
GAGE, WATER TEMPERATURE	7. 4080	GASKET, EXPANSION TANK OUTLET CONNECTION	5. 3321
GASKET KIT, CYLINDER HEAD OVERHAUL	1. 2002	GASKET, FLANGE MOUNTED ALTERNATOR ADAPTOR	7. 1589
GASKET KIT, ENGINE OVERHAUL	1. 1002	GASKET, FLYWHEEL HOUSING	1. 5010
GASKET KIT, OIL PAN INSTALLATION	4. 7023	GASKET, FLYWHEEL HOUSING ACCESSORY HOLE COVER	1. 5062
GASKET, ACCESSORY DRIVE	1. 7604	GASKET, FLYWHEEL HOUSING CAM GEAR HOLE COVER	1. 5066
GASKET, ACCESSORY DRIVE ADAPTOR	1. 7623	GASKET, FRESH WATER PUMP BEARING SUPPORT	5. 1074
GASKET, ACCESSORY DRIVE RETAINER	1. 7646	GASKET, FRESH WATER PUMP INLET CONNECTION	5. 3328
GASKET, ACTUATOR CONTROL HOUSING COVER	2. 8615	GASKET, FRONT COVER WATER OUTLET ELBOW	5. 3491
GASKET, ACTUATOR CONTROL HOUSING MOUNTING	2. 8545	GASKET, FUEL FILTER COVER SCREW	2. 3420
GASKET, ACTUATOR CONTROL ROD COVER ASSY.	2. 8555	GASKET, FUEL FILTER COVER SHELL	2. 3400
GASKET, ACTUATOR DRIVE HOUSING TO BLOWER	2. 8565	GASKET, FUEL MANIFOLD	2. 4013
GASKET, ACTUATOR MOUNTING BRACKET	2. 7009	GASKET, FUEL PUMP COVER	2. 2040
GASKET, ACTUATOR TO CONTROL HOUSING COVER	2. 8535	GASKET, FUEL PUMP DRIVE ADAPTOR	2. 2280
GASKET, AIR CLEANER COVER	3. 1025	GASKET, FUEL PUMP MOUNTING PLATE	2. 2237
GASKET, AIR CLEANER SCREEN	3. 1055	GASKET, FUEL PUMP TO ENGINE	2. 2007
GASKET, AIR CLEANER TO INLET HOUSING PIPE	3. 1261	GASKET, FUEL PUMP VALVE PLUG	2. 2180
GASKET, AIR COMPRESSOR ADAPTOR	12.4025	GASKET, FUEL STRAINER COVER	2. 3090
GASKET, AIR COMPRESSOR BOOSTER TUBE	12.4380	GASKET, FUEL STRAINER COVER SCREW	2. 3130
GASKET, AIR COMPRESSOR MOUNTING	12.4005	GASKET, GENERATOR DRIVE	7. 1508
GASKET, AIR INLET HOUSING	3. 3010	GASKET, GOVERNOR BODY TO BASE	8. 3390
GASKET, AIR INLET HOUSING STRIKER PLATE	3. 3030	GASKET, GOVERNOR CONTROL HOUSING COVER	2. 8772
GASKET, BLOWER BYPASS ADAPTOR COVER	3. 5764	GASKET, GOVERNOR CONTROL HOUSING MOUNTING	2. 7232
GASKET, BLOWER DRIVE SUPPORT	1. 7436	GASKET, GOVERNOR CONTROL HOUSING MOUNTING	2. 8083
GASKET, BLOWER HOUSING END PLATE COVER	3. 4190	GASKET, GOVERNOR COVER	2. 7051
GASKET, BREATHER BODY OR SEPARATOR	4. 8070	GASKET, GOVERNOR COVER	2. 8045
GASKET, BREATHER ELBOW	4. 8015	GASKET, GOVERNOR FUEL ROD SPRING COVER	2. 8086
GASKET, BREATHER SHELL COVER	4. 8057	GASKET, GOVERNOR HIGH SPEED SPRING COVER	2. 7850
GASKET, COVER ASSY. DRIVE	1. 7725	GASKET, GOVERNOR HOUSING DUMMY HOLE PLUG	2. 8210
GASKET, CRANKSHAFT FRONT COVER	1. 3170	GASKET, GOVERNOR RELIEF VALVE	2. 8640
GASKET, CRANKSHAFT FRONT COVER GOVERNOR HOLE COVER	1. 3177		
GASKET, CRANKSHAFT FRONT COVER LARGE HOLE COVER	1. 3198		

ALPHABETICAL INDEX

PART NAME	GROUP NO.	PART NAME	GROUP NO.
G			
GASKET, GOVERNOR SUB-CAP TO HOUSING	2. 8260	GASKET, PLATE ASSY.	2. 8039
GASKET, GOVERNOR TO AIR BOX COVER	2. 7011	GASKET, RADIATOR TANK	5. 3040
GASKET, GOVERNOR TO BLOWER	2. 8035	GASKET, RAW WATER PUMP	5. 6350
GASKET, GOVERNOR TO BLOWER-GOVERNOR DRIVE	2. 7010	GASKET, RAW WATER PUMP ADAPTOR	5. 6012
GASKET, GOVERNOR TO CONTROL HOUSING	2. 8034	GASKET, RAW WATER PUMP COVER	5. 6100
GASKET, GOVERNOR TO CYLINDER BLOCK	2. 7025	GASKET, RAW WATER PUMP FLANGE	5. 5410
GASKET, GOVERNOR TO CYLINDER HEAD	2. 7020	GASKET, RAW WATER PUMP INLET CONNECTION	5. 6510
GASKET, GOVERNOR TO FRONT COVER	2. 7007	GASKET, RAW WATER PUMP INLET ELBOW	5. 6574
GASKET, GOVERNOR VARIABLE SPEED SPRING HOUSING	2. 7700	GASKET, ROCKER COVER	1. 8455
GASKET, GOVERNOR WEIGHT HOUSING CAP	2. 7515	GASKET, STARTING MOTOR	7. 3004
GASKET, HEAT EXCHANGER COVER	5. 5050	GASKET, STARTING MOTOR HOLE COVER	1. 5075
GASKET, HEAT EXCHANGER FRESH WATER OUTLET CONNECTION	5. 5300	GASKET, TACHOMETER DRIVE CABLE ADAPTOR	7. 4421
GASKET, HEAT EXCHANGER WATER INLET TUBE	5. 2218	GASKET, TACHOMETER DRIVE COVER	7. 4447
GASKET, HYDRAULIC PUMP	12.5005	GASKET, TACHOMETER DRIVE COVER ADAPTOR	7. 4455
GASKET, HYDRAULIC PUMP ADAPTOR	12.5021	GASKET, THERMOSTAT ADAPTOR PLATE TO BLOCK	3. 5534
GASKET, INJECTOR FILTER CAP	2. 1140	GASKET, THERMOSTAT HOUSING	5. 2110
GASKET, LOWER OIL PAN	4. 7040	GASKET, THERMOSTAT HOUSING COVER	5. 2130
GASKET, OIL COOLER BYPASS HOLE COVER	4. 4184	GASKET, THERMOSTAT HOUSING COVER	5. 2208
GASKET, OIL COOLER BYPASS TUBE FLANGE	4. 4178	GASKET, TUBE OIL COOLER INLET-WATER	4. 4272
GASKET, OIL COOLER BYPASS VALVE HOUSING	4. 4131	GASKET, TURBOCHARGER EXHAUST INLET CONNECTION	3. 5307
GASKET, OIL COOLER BYPASS VALVE PLUG	4. 4170	GASKET, TURBOCHARGER EXHAUST OUTLET	3. 5325
GASKET, OIL COOLER CORE-INNER	4. 4030	GASKET, TURBOCHARGER TO AIR INLET HOUSING ADAPTOR	3. 5423
GASKET, OIL COOLER CORE-OUTER	4. 4040	GASKET, WATER FILTER COVER	5. 7035
GASKET, OIL COOLER HOUSING	4. 4055	GASKET, WATER OUTLET MANIFOLD	5. 2010
GASKET, OIL COOLER HOUSING COVER	4. 4061	GASKET, WATER OUTLET MANIFOLD ELBOW	5. 2037
GASKET, OIL COOLER INLET & OUTLET-OIL	4. 4107	GASKET, WATER PUMP COVER	5. 1236
GASKET, OIL COOLER INLET AND OUTLET TUBE	4. 4200	GASKET, WATER PUMP INLET AND OUTLET ELBOW	5. 3337
GASKET, OIL COOLER WATER INLET CONNECTION	4. 4212	GASKET, WATER PUMP TO HEAT EXCHANGER TUBE	5. 2167
GASKET, OIL COOLER WATER INLET CROSSOVER	4. 4219	GASKET, WATER TEMPERATURE SWITCH	7. 4510
GASKET, OIL COOLER WATER OUTLET ELBOW	4. 4230	GASOLINE STARTER	12.6000A
GASKET, OIL COOLER WATER OUTLET FLANGE	4. 4244	GAUGE, AIR PRESSURE METRIC	12.6140
GASKET, OIL FILLER TUBE ADAPTOR	4. 5007	GAUGE, COLLECTOR INLET	4. 8220
GASKET, OIL FILTER ADAPTOR	4. 2350	GEAR AND SHAFT ASSY., GOVERNOR DRIVE	2. 8815
GASKET, OIL FILTER BYPASS PLUG	4. 2489	GEAR ASSY., HYDRAULIC MARINE	9. 1001
GASKET, OIL FILTER BYPASS VALVE HOUSING	4. 2389	GEAR ASSY., IDLER	1. 7220
GASKET, OIL FILTER COVER	4. 2300	GEAR SET, BLOWER ROTOR	3. 4080
GASKET, OIL FILTER COVER NUT	4. 2330	GEAR, ACCESSORY DRIVE	1. 7670
GASKET, OIL FILTER ELEMENT	2. 8987	GEAR, BLOWER DRIVE	1. 7430
GASKET, OIL PAN COVER	4. 7130	GEAR, CAMSHAFT AND BALANCE SHAFT	1. 7200
GASKET, OIL PAN FRONT TO REAR	4. 7027	GEAR, CRANKSHAFT TIMING	1. 3145
GASKET, OIL PAN HAND HOLE	4. 7060	GEAR, CRANKSHAFT TIMING	1. 7445
GASKET, OIL PAN SUMP	4. 7150	GEAR, FLYWHEEL RING	1. 4010
GASKET, OIL PAN TO BLOCK	4. 7030	GEAR, FRESH WATER PUMP DRIVE	5. 1190
GASKET, OIL PRESSURE REGULATOR BODY	4. 1730	GEAR, FUEL PUMP DRIVE	2. 2087
GASKET, OIL PUMP INLET PIPE	4. 1520	GEAR, FUEL PUMP DRIVE	2. 2290
GASKET, OIL PUMP OUTLET PIPE	4. 1590	GEAR, FUEL PUMP DRIVEN	2. 2088
GASKET, OVERSPEED AND LOW OIL PRESSURE VALVE	7. 4592	GEAR, GENERATOR DRIVE	7. 1532
GASKET, OVERSPEED GOVERNOR	7. 4612	GEAR, GOVERNOR OIL PUMP DRIVE	2. 8720
GASKET, OVERSPEED GOVERNOR DRIVE	7. 4661	GEAR, GOVERNOR OIL PUMP DRIVEN	2. 8730
GASKET, OVERSPEED TRIP GOVERNOR ADAPTOR	7. 4638	GEAR, HYDRAULIC PUMP DRIVE	12.5030
GASKET, OVERSPEED VALVE AND TACHOMETER DRIVE HOUSING	7. 4760	GEAR, IDLER	1. 7222
		GEAR, INJECTOR	2. 1180
		GEAR, OIL PUMP DRIVE	4. 1090
		GEAR, OIL PUMP DRIVE-ON PUMP	4. 1380

ALPHABETICAL INDEX

PART NAME	GROUP NO.	PART NAME	GROUP NO.
G			
GEAR, OIL PUMP DRIVEN	4. 1200	HOSE, TURBOCHARGER DE-AERATION	3. 5528
GEAR, OVERSPEED GOVERNOR DRIVE	7. 4666	HOSE, WATER FILTER CROSSOVER	5. 7110
GEAR, RAW WATER PUMP DRIVE	5. 6320	HOSE, WATER FILTER INLET	5. 7090
GENERATOR ASSY.	7. 1001	HOSE, WATER FILTER OUTLET	5. 7100
GLAND, HEAT EXCHANGER SEAL RETAINER	5. 5027	HOSE, WATER OUTLET MANIFOLD TUBE	5. 2047
GOVERNOR ASSY.	2. 7001	HOUSING AND BUSHING ASSY., TACHOMETER DRIVE CABLE ADAPTOR	7. 4428
GOVERNOR ASSY.	2. 8030	HOUSING AND WEIGHT ASSY., GOVERNOR	2. 7320
GOVERNOR, OVERSPEED TRIP	7. 4611	HOUSING ASSY., ACTUATOR CONTROL	2. 8540
GOVERNOR, TORQUE CONVERTER OUTPUT SHAFT	8. 3077	HOUSING ASSY., AIR INLET	3. 3001
GRILLE, RADIATOR	5. 3210	HOUSING ASSY., FLYWHEEL	1. 5001
GUARD, GENERATOR DRIVE BELT AND PULLEY	7. 1585	HOUSING ASSY., GOVERNOR	2. 8190
GUIDE ASSY., OVERSPEED VALVE PISTON	7. 4735	HOUSING ASSY., GOVERNOR CONTROL	2. 7230
GUIDE, DIPSTICK	4. 6020	HOUSING ASSY., GOVERNOR CONTROL	2. 8062
GUIDE, EXHAUST VALVE	1. 8320	HOUSING ASSY., GOVERNOR VARIABLE SPEED SPRING	2. 7680
GUIDE, EXHAUST VALVE BRIDGE	1. 8345	HOUSING ASSY., OVERSPEED TRIP GOVERNOR	7. 4614
GUIDE, GOVERNOR VARIABLE SPEED SPRING PLUNGER	2. 7780	HOUSING ASSY., TURBOCHARGER INTERMEDIATE	3. 5018
H			
HANGER, THROTTLE BOOSTER SPRING	2. 9349	HOUSING, ACTUATOR DRIVE	2. 6560
HARNESS ASSY., ILCC	3. 5547	HOUSING, AIR INLET	3. 3003
HARNESS ASSY., MAGNETIC PICKUP	2. 6590	HOUSING, BLOWER	3. 4020
HARNESS ASSY., MAGNETIC PICKUP	2. 7990	HOUSING, GOVERNOR DRIVE	2. 8780
HARNESS ASSY., TRANSDUCER MODULE	2. 6580	HOUSING, GOVERNOR HIGH SPEED SPRING ADJUSTING SCREW	2. 7635
HARNESS ASSY., WRG. ELEC. PICKUP	2. 6591	HOUSING, GOVERNOR VARIABLE SPEED SPRING	2. 7690
HARNESS, AIR SHUTOFF WIRING	7. 4545	HOUSING, GOVERNOR WEIGHT	2. 7340
HARNESS, ECM-BOAT BUILDER INTERFACE MODULE	2. 1690	HOUSING, HYDRAULIC GOVERNOR TO OPERATING LEVER	2. 8958
HARNESS, ELECTRONIC DISTRIBUTOR UNIT TO INJECTOR	2. 1700	HOUSING, INTERCOOLER	3. 5432
HARNESS, ENGINE SENSORS TO DISCONNECT	2. 1720	HOUSING, MARINE GEAR OIL COOLER	4. 4051
HARNESS, ENGINE SENSORS TO ECM	2. 1704	HOUSING, OIL COOLER BYPASS VALVE	4. 4130
HARNESS, ENGINE WIRING	7. 7001	HOUSING, OIL COOLER-ENGINE	4. 4050
HARNESS, POWER INTERFACE	2. 1740	HOUSING, OVERSPEED TRIP GOVERNOR SWITCH	7. 4677
HARNESS, VEHICLE INTERFACE	2. 1703	HOUSING, OVERSPEED VALVE	7. 4727
HEAD ASSY., CYLINDER	1. 2001	HOUSING, OVERSPEED VALVE AND TACHOMETER DRIVE	7. 4752
HEAT EXCHANGER OR KEEL COOLING	5. 5000A	HOUSING, POWER TAKE-OFF ADAPTOR	8. 1900
HEAT, SHIELD INTERCOOLER HOSE	3. 5431	HOUSING, RAW WATER PUMP BEARING	5. 6133
HOSE ASSY., AIR PRESSURE SENSING	3. 5789	HOUSING, RAW WATER PUMP DRIVE	5. 6010
HOSE, AIR INLET PIPE	3. 1270	HOUSING, RAW WATER PUMP IMPELLER	5. 6020
HOSE, BREATHER EXTENSION	4. 8175	HOUSING, THERMOSTAT	5. 2090
HOSE, EXHAUST MANIFOLD WATER INLET TUBE	6. 1148	HOUSING, TURBOCHARGER COMPRESSOR	3. 5022
HOSE, EXHAUST MANIFOLD WATER OUTLET TUBE	6. 1147	HOUSING, TURBOCHARGER TURBINE	3. 5003
HOSE, EXPANSION TANK OUTLET	5. 3331	HUB, ACCESSORY DRIVE GEAR	1. 7643
HOSE, FUEL DRAIN	2. 5215	HUB, AIR COMPRESSOR	12.4040
HOSE, FUEL MANIFOLD TO FUEL BLOCK ASSY.	2. 5221	HUB, BLOWER DRIVE GEAR	1. 7440
HOSE, FUEL SYSTEM FLEXIBLE (BULK)	12.8550	HUB, BLOWER ROTOR GEAR	3. 4130
HOSE, JUNCTION BLOCK TO FUEL BLOCK ASSY.	2. 5251	HUB, CAMSHAFT GEAR	1. 7208
HOSE, MARINE GEAR OR TRANSMISSION OIL INLET	4. 4335	HUB, CLUTCH	5. 4114
HOSE, MARINE GEAR OR TRANSMISSION OIL OUTLET	4. 4330	HUB, DRIVE PULLEY	1. 7610
HOSE, OIL COOLER BYPASS	4. 4119	HUB, FAN	5. 4235
HOSE, TURBOCHARGER AIR INLET CONNECTION	3. 5424	HUB, GENERATOR DRIVE PULLEY	7. 1510
HOSE, TURBOCHARGER AIR OUTLET CONNECTION	3. 5420	HUB, IDLER GEAR	1. 7250
		HUB, VIBRATION DAMPER	1. 3230
		HYDRAULIC GOVERNOR	2. 8000A
		HYDRAULIC MARINE GEAR	9. 1000A
		HYDRAULIC PUMP	12.5000A

ALPHABETICAL INDEX

PART NAME	GROUP NO.	PART NAME	GROUP NO.
I			
IMPELLER, FRESH WATER PUMP	5. 1110	LEVER, GOVERNOR SPEED ADJUSTING	2. 8450
IMPELLER, RAW WATER PUMP	5. 6230	TERMINAL	2. 8982
INDICATOR, AIR CLEANER RESTRICTION	3. 1002	LEVER, GOVERNOR THROTTLE CONTROL	2. 7730
INDICATOR, AIR CLEANER RESTRICTION	3. 1007	LEVER, GOVERNOR VARIABLE SPEED SPRING	2. 9009
INJECTOR ASSY.	2. 1001	LEVER, INJECTOR CONTROL TUBE	2. 9014
INJECTOR CONTROLS	2. 9000	LEVER, INJECTOR CONTROL TUBE RACK	4. 8240
INJECTOR CONTROLS ELECTRONIC	2. 1000B	LIMITER ASSEMBLY, COLLECTOR VACUUM	1. 6180
INSERT ASSY., CERAMIC	5. 1112	LINER, CYLINDER	2. 6620
INSERT, EXHAUST VALVE	1. 8330	LINK, ACTUATOR OPERATING CONNECTION	2. 8955
INSTALLATION KIT, THROTTLE DELAY		LINK, GOVERNOR OPERATING CONNECTING	2. 7312
CONTROL	2. 9089	LINK, GOVERNOR OPERATING LEVER	
INSTRUMENTS	7. 4000A	CONNECTING	2. 8970
INSULATION BLANKET, TURBOCHARGER	3. 5535	LINK, GOVERNOR OPERATING LEVER TO BELL	2. 9002
INTERCOOLER, TURBOCHARGER	3. 5425	CRANK	2. 9022
INVENTOR	7. 7670	LINK, INJECTOR CONTROL	1. 8370
K			
KIT, BLOWER BYPASS CYLINDER AND LINKAGE		LINK, INJECTOR CONTROL TUBE TO	2. 9022
COVER	3. 5787	GOVERNOR	1. 8370
KIT, BLOWER BYPASS SYSTEM (COMPLETE)	3. 5749	LOCK, EXHAUST VALVE SPRING	2. 7615
KIT, COLLECTOR	4. 8270	RETAINER	1. 7650
KIT, CRANKCASE MONITOR REPAIR	7. 4528	LOCKRING, ACCESSORY DRIVE	7. 1545
KIT, CRANKCASE MONITOR RESISTOR	7. 4531	LOCKRING, GENERATOR DRIVE BEARING	12.8516
KIT, EXHAUST VALVE INSERT	1. 8335	LUBRICANT, FLEXIBLE SHAFT CABLE	12.8110
KIT, FAN CLUTCH OVERHAUL	5. 4118	LUBRICATING COMPOUND THREAD	
KIT, GOVERNOR INSTALLATION	2. 6507	M	
KIT, OIL PUMP BUSHING AND GASKET	4. 1012	MAGNETIC PICK UP (IN GOVERNOR ASSY.)	2. 6662
KITS, SERVICE (ALL)	12.8715	MANIFOLD, EXHAUST	8. 1001
L			
LAMP, INSTRUMENT PANEL	7. 4100	MANIFOLD, FUEL-LOWER	2. 4001
LCD DISPLAY ASSEMBLY	7. 7701	MANIFOLD, WATER OUTLET	5. 2001
LEVER AND PIN ASSY., GOVERNOR		MECHANICAL GOVERNOR	2. 7000A
DIFFERENTIAL	2. 7310	MEMBER, RADIATOR SIDE	5. 3220
LEVER ASSY., ACTUATOR	2. 6515	MISCELLANEOUS SERVICE PARTS-SECTION 1	12.8801
LEVER ASSY., ACTUATOR	2. 7311	MISCELLANEOUS SERVICE PARTS-SECTION 2	12.8802
LEVER ASSY., AIR INLET HOUSING SHUTDOWN		MISCELLANEOUS SERVICE PARTS-SECTION 3	12.8803
RESET	3. 3110	MISCELLANEOUS SERVICE PARTS-SECTION 4	12.8804
LEVER ASSY., GOVERNOR CONTROL LINK		MISCELLANEOUS SERVICE PARTS-SECTION 5	12.8805
OPERATING	2. 7317	MISCELLANEOUS SERVICE PARTS-SECTION 7	12.8807
LEVER CONTROL, GEAR AND THROTTLE	7. 7430	MISCELLANEOUS SERVICE PARTS/RELIABILT	12.8000D
LEVER, ACTUATOR CONTROL LINK OPERATING	2. 6600	MODULE ASSY., ELECTRONIC CONTROL	2. 1501
LEVER, ACTUATOR DRIVE HOUSING SHAFT	2. 6566	MODULE, BOAT BUILDER INTERFACE	2. 1512
LEVER, AIR INLET HOUSING SHUTDOWN		MODULE, COMPUTER AND MEMORY	7. 7650
VALVE	3. 3090	MODULE, CONTROL STATION INTERFACE	7. 7450
LEVER, BLOWER BYPASS	3. 5775	MODULE, DUAL DDEC INTERFACE	7. 7630
LEVER, ELECTRONIC LIMITER CAM	2. 7319	MODULE, ENGINE ROOM INTERFACE	7. 7440
LEVER, GOVERNOR CONTROL	2. 9410	MODULE, OCTAL SENSOR MULTIPLEX	7. 7640
LEVER, GOVERNOR CONTROL LINK OPERATING	2. 8064	MODULE, PERIPHERAL INTERFACE	7. 7620
LEVER, GOVERNOR COVER SHUTDOWN SHAFT	2. 7165	MODULES, ACTUATOR CONTROL ASSY.	2. 6571
LEVER, GOVERNOR COVER THROTTLE SHAFT	2. 7170	MOTOR ASSY., GOVERNOR SYNCHRONIZING	2. 8182
LEVER, GOVERNOR OPERATING LINK	2. 9035	MOTOR ASSY., STARTING	7. 3001
LEVER, GOVERNOR OPERATING SHAFT	2. 8975	MOUNTING ASSY., VOLTAGE REGULATOR	7. 1612
LEVER, GOVERNOR OPERATING SHAFT-UPPER	2. 7280	N	
LEVER, GOVERNOR SPEED ADJUSTING	2. 8420	NAME PLATE, GOVERNOR	2. 7002
LEVER, GOVERNOR SPEED ADJUSTING	8. 3460	NECK, EXPANSION TANK FILLER	5. 5120
LEVER, GOVERNOR SPEED ADJUSTING		NUT, BLOWER DRIVE SUPPORT	1. 7438
FLOATING	2. 8410	NUT, FAN SHAFT	5. 4105
		NUT, GENERATOR DRIVE GEAR SUPPORT	7. 1546

ALPHABETICAL INDEX

PART NAME	GROUP NO.	PART NAME	GROUP NO.
N			
NUT, INJECTOR VALVE	2. 1030	PLATE, OPTION AND ACCESSORY NAME	1. 8500
NUT, RAW WATER PUMP IMPELLER	5. 8300	PLATE, PISTON PIN CARRIER THRUST	1. 6113
O			
OIL COOLER AND MARINE GEAR LINES	4. 4000A	PLATE, RAW WATER PUMP DRIVE	5. 6410
OIL DISTRIBUTION SYSTEM	4. 1000B	PLATE, RAW WATER PUMP IMPELLER PORT	5. 6235
OIL FILLER	4. 5000A	PLATE, THERMATIC FAN CLUTCH PRESSURE INNER	5. 4125
OIL FILTER	4. 2000A	PLATE, THERMATIC FAN CLUTCH PRESSURE OUTER	5. 4132
OIL PAN	4. 7000A	PLATE, TIME DELAY RELAY MOUNTING	7. 4711
OIL PENETRATING	12.8020	PLATE, WATER FILTER SUMP	5. 7023
OIL PUMP	4. 1000A	PLUG, FUEL PUMP VALVE	2. 2170
OIL SEAL, GOVERNOR BASE	8. 3385	PLUG, FUEL STRAINER COVER	2. 3100
OIL SEAL, GOVERNOR ROCKER SHAFT	8. 3445	PLUG, GOVERNOR HOUSING DUMMY HOLE	2. 8200
OIL, PRESSURE REGULATOR	4. 1000C	PLUG, GOVERNOR RELIEF VALVE	2. 8685
OVERHAUL KIT, FUEL PUMP	2. 2004	PLUG, GOVERNOR SPEED ADJUSTING TERMINAL SLEEVE	2. 8485
P			
PACKING, GOVERNOR VARIABLE SPEED SPRING LEVER SHAFT	2. 7750	PLUG, GOVERNOR SUB-CAP	2. 8165
PAINT, ENGINE TOUCH-UP	12.8001	PLUG, OIL COOLER BYPASS VALVE	4. 4160
PAN, OIL-LOWER	4. 7020	PLUG, OIL FILTER BYPASS VALVE	4. 2488
PAN, OIL-UPPER	4. 7010	PLUG, OIL PAN DRAIN	4. 7080
PANEL, CONTROL	7. 7470	PLUNGER AND BUSHING ASSY., INJECTOR	2. 1180
PANEL, INSTRUMENT	7. 4005	PLUNGER ASSY., GOVERNOR PILOT VALVE	2. 8600
PICKUP ASSY., MAGNETIC	2. 6595	PLUNGER, GOVERNOR LOW SPEED SPRING	2. 7580
PICKUP ASSY., MAGNETIC	2. 7991	PLUNGER, GOVERNOR VARIABLE SPEED SPRING	2. 7770
PIN, BUSHING GUIDE	2. 1165	PLUNGER, HYDRAULIC GOVERNOR TO OPERATING LEVER	2. 8957
PIN, GOVERNOR OPERATING SHAFT LEVER	2. 7300	PLUNGER, OVERSPEED TRIP GOVERNOR PILOT VALVE	7. 4620
PIN, GOVERNOR WEIGHT	2. 7430	PORT ASSY., L.O. SAMPLE	4. 2242
PIN, INJECTOR STOP	2. 1100	POWER TAKEOFF AND/OR CLUTCH	8. 1000A
PIN, PISTON	1. 6140	POWER TAKEOFF ASSY.	8. 1001
PIN, VALVE AND INJECTOR CAM ROLLER	1. 8112	PRE-CLEANER ASSY., AIR	3. 1100
PIPE, AIR CLEANER TO INLET HOUSING	3. 1260	PULLEY AND HUB ASSY., FAN	5. 4015
PIPE, BREATHER EXTENSION	4. 8170	PULLEY, ACCESSORY DRIVE	1. 7605
PIPE, FUEL	2. 4020	PULLEY, CRANKSHAFT	1. 3280
PIPE, OIL PUMP INLET	4. 1510	PULLEY, GENERATOR	7. 1500
PIPE, OIL PUMP OUTLET	4. 1580	PULLEY, GENERATOR DRIVE	7. 1505
PISTON ASSY.	1. 8110	PUMP ASSY., FRESH WATER	5. 1001
PISTON, GOVERNOR SERVO-MOTOR	2. 8510	PUMP ASSY., FUEL	2. 2001
PISTON, INJECTOR CONTROL AIR CYLINDER	2. 9094	PUMP ASSY., HYDRAULIC	12.5001
PISTON, OVERSPEED VALVE	7. 4731	PUMP ASSY., OIL	4. 1001
PISTON, THERMATIC FAN CLUTCH RELEASE	5. 4117	PUMP ASSY., RAW WATER	5. 6001
PLATE AND DIAPHRAGM ASSY., CRANKCASE PRESSURE MONITOR	7. 4506	R	
PLATE ASSY., ACCESSORY DRIVE	1. 7630	RACK ASSY., INJECTOR	2. 1170
PLATE ASSY., ELECTRONIC DISTRIBUTOR UNIT COLD	2. 1520	RADIATOR	5. 3000A
PLATE ASSY., GOVERNOR LINK	2. 8038	RADIATOR ASSY.	5. 3001
PLATE, AIR COMPRESSOR DRIVE	12.4037	RAW WATER PUMP	5. 6000A
PLATE, AIR INLET HOUSING STRIKER	3. 3020	RECONDITIONING KIT, FRESH WATER PUMP	5. 1002
PLATE, BLOWER DRIVE GEAR HUB	1. 7441	RECONDITIONING KIT, RAW WATER PUMP	5. 6025
PLATE, BLOWER HOUSING END	3. 4140	RECONDITIONING KIT, VIBRATION DAMPER	1. 3148
PLATE, BLOWER ROTOR GEAR HUB	3. 4135	REGULATOR, OIL PRESSURE	4. 1670
PLATE, CAM AND BALANCE SHAFT THRUST	1. 7070	REGULATOR, VOLTAGE	7. 1805
PLATE, DIPSTICK ADAPTOR	4. 6080	RELAY, ALARM BELL	7. 4514
PLATE, EXHAUST MANIFOLD COVER	8. 1100	RELAY, TIME DELAY	7. 4707
PLATE, FUEL PUMP MOUNTING	2. 2235	RELIEF, VALVE OIL PRESSURE	4. 1671
PLATE, HYDRAULIC PUMP DRIVE	12.5015	REPLACEMENT KIT, RAW WATER PUMP SEAL AND IMPELLER	5. 8220
PLATE, OIL PAN HAND HOLE	4. 7050	RESERVOIR ASSY., GOVERNOR OIL	2. 8622
		RESERVOIR ASSY., GOVERNOR OIL	2. 8905

ALPHABETICAL INDEX

PART NAME	GROUP NO.	PART NAME	GROUP NO.
R			
RETAINER ASSY., ACCESSORY DRIVE	1. 7645	ROTOR, BLOWER IMPELLER	3. 4030
RETAINER, ACCESSORY DRIVE BEARING	1. 7656		
RETAINER, AIR CLEANER ELEMENT	3. 1053	S	
RETAINER, BLOWER DRIVE IDLER GEAR HUB BEARING	1. 7420	SCREEN, AIR CLEANER	3. 1040
RETAINER, BLOWER ROTOR FRONT BEARING	3. 4050	SCREEN, BLOWER	3. 4025
RETAINER, BLOWER ROTOR REAR BEARING	3. 4070	SCREEN, CYLINDER BLOCK DRAIN	1. 1005
RETAINER, CRANKSHAFT PULLEY	1. 3290	SCREEN, OIL PUMP INLET	4. 1530
RETAINER, FAN SHAFT BEARING	5. 4140	SCREW ASSY., GOVERNOR BUFFER	2. 7810
RETAINER, FRESH WATER PUMP BEARING AND SEAL	5. 1071	SCREW, FAN BRACKET ADJUSTING	5. 4290
RETAINER, GENERATOR DRIVE BEARING AND OIL SEAL	7. 1520	SCREW, FUEL FILTER COVER	2. 3410
RETAINER, GOVERNOR FUEL ROD SPRING	2. 8140	SCREW, FUEL STRAINER COVER	2. 3120
RETAINER, GOVERNOR HIGH SPEED SPRING	2. 7610	SCREW, GOVERNOR HI-SPEED STOP	2. 8520
RETAINER, GOVERNOR PACKING SHUTDOWN SHAFT	2. 7155	SCREW, GOVERNOR LOAD LIMIT	2. 8180
RETAINER, GOVERNOR PACKING THROTTLE SHAFT	2. 7150	SCREW, GOVERNOR LOW SPEED SPRING ADJUSTING	2. 7590
RETAINER, GOVERNOR VARIABLE SPEED SPRING	2. 7790	SCREW, GOVERNOR LOW-SPEED ADJUSTING	2. 8525
RETAINER, HEAT EXCHANGER SEAL	5. 5025	SCREW, ROCKER ARM ADJUSTING	1. 8135
RETAINER, INJECTOR GEAR	2. 1190	SEAL KIT, FAN CLUTCH	5. 4119
RETAINER, OIL FILTER SPRING	4. 2315	SEAL RING, CRANKSHAFT REAR SUPPORT	1. 5022
RETAINER, PISTON PIN	1. 6150	SEAL, ACCESSORY DRIVE OIL	1. 7860
RETAINER, TACHOMETER	7. 4063	SEAL, AIR INLET HOUSING SHUTDOWN VALVE SHAFT	3. 3055
RETAINER, TORQUE CONVERTER BRAKE GROUND SLEEVE	8. 3480	SEAL, BLOWER BYPASS SHAFT	3. 5765
RING SET, PISTON	1. 6115	SEAL, BLOWER BYPASS VALVE	3. 5772
RING, BLOWER DRIVE SHAFT	3. 4446	SEAL, BLOWER DRIVE COVER	3. 4220
RING, CROSSHEAD PISTON SEAL	1. 6106	SEAL, BLOWER HOUSING END PLATE	3. 4180
RING, ENGINE FRONT TRUNNION MOUNTING SUPPORT CUSHION	11. 1094	SEAL, BREATHER ELBOW	4. 8017
RING, FUEL STRAINER SHELL RETAINING	2. 3070	SEAL COVER	3. 4229
RING, GOVERNOR OIL PUMP HOUSING SEAL	2. 8700	SEAL, CRANKSHAFT OIL-FRONT	1. 3040
RING, INJECTOR HOLE TUBE SEAL	1. 2046	SEAL, CRANKSHAFT OIL-REAR	1. 3060
RING, INJECTOR SEAL	2. 1040	SEAL, CRANKSHAFT OIL-REAR	1. 5004
RING, PISTON COMPRESSION	1. 6120	SEAL, CYLINDER LINER	1. 6190
RING, PISTON OIL CONTROL	1. 6130	SEAL, DRIVE PULLEY HUB OIL	1. 7620
RING, RAW WATER PUMP BEARING RETAINER	5. 6140	SEAL, FAN SHAFT	5. 4150
RING, RAW WATER PUMP IMPELLER SEAL CLAMP	5. 6270	SEAL, FRESH WATER PUMP	5. 1130
RING, RAW WATER PUMP SHAFT SEAL	5. 6176	SEAL, FRESH WATER PUMP SHAFT BEARING	5. 1065
RING, RAW WATER PUMP SHAFT SEAL FRICTION	5. 6175	SEAL, FUEL PUMP OIL	2. 2070
RING, RAW WATER PUMP SHAFT SEAL SEAT	5. 6172	SEAL, GENERATOR DRIVE OIL	7. 1515
RING, SEAL BLOWER BYPASS ADAPTOR	3. 5785	SEAL, GOVERNOR SPEED ADJUSTING SHAFT OIL	2. 8350
RISER, GOVERNOR	2. 7380	SEAL, GOVERNOR SPEED ADJUSTING TERMINAL SHAFT OIL	2. 8472
RISER, GOVERNOR	8. 3420	SEAL, HEAT EXCHANGER	5. 5026
ROCKER COVER	1. 8000A	SEAL, OIL SUPPLY AND RETURN	3. 4143
ROD ASSY., ACTUATOR CONTROL	2. 6520	SEAL, OVERSPEED TRIP GOVERNOR MOUNTING OIL	7. 4644
ROD ASSY., ACTUATOR CONTROL	2. 7013	SEAL, RAW WATER PUMP BEARING	5. 6160
ROD, AIR CYLINDER PISTON PUSH	2. 9095	SEAL, RAW WATER PUMP IMPELLER	5. 6240
ROD, AIR INLET HOUSING SHUTDOWN VALVE CROSSOVER	3. 3095	SEAL, RAW WATER PUMP SHAFT	5. 6170
ROD, AIR SHUTOFF SOLENOID CONTROL	7. 4538	SEAL, ROTOR ASSY. SHAFT OIL	3. 5028
ROD, GOVERNOR CONNECTING	2. 7905	SEAL, TACHOMETER DRIVE COVER ADAPTOR	7. 4458
ROD, GOVERNOR FUEL	2. 8070	SEAL, THERMOSTAT	5. 2060
ROD, HYDRAULIC GOVERNOR TO OPERATING LEVER	2. 8952	SEAL, WATER OUTLET MANIFOLD	5. 2043
ROLLER AND BUSHING ASSY., VALVE AND INJECTOR CAM	1. 8113	SEALANT, RTV	12. 8255
		SEAT, EXHAUST VALVE SPRING	1. 8360
		SEAT, GOVERNOR LOW SPEED SPRING	2. 7570
		SEAT, INJECTOR VALVE SPRING	2. 1255
		SEAT, OIL PRESSURE REGULATOR	4. 1701
		SEAT, RAW WATER PUMP SHAFT SEAL	5. 6173
		SENSOR, AIR PRESSURE	2. 1650
		SENSOR, MAG. CRANKSHAFT	2. 1620

ALPHABETICAL INDEX

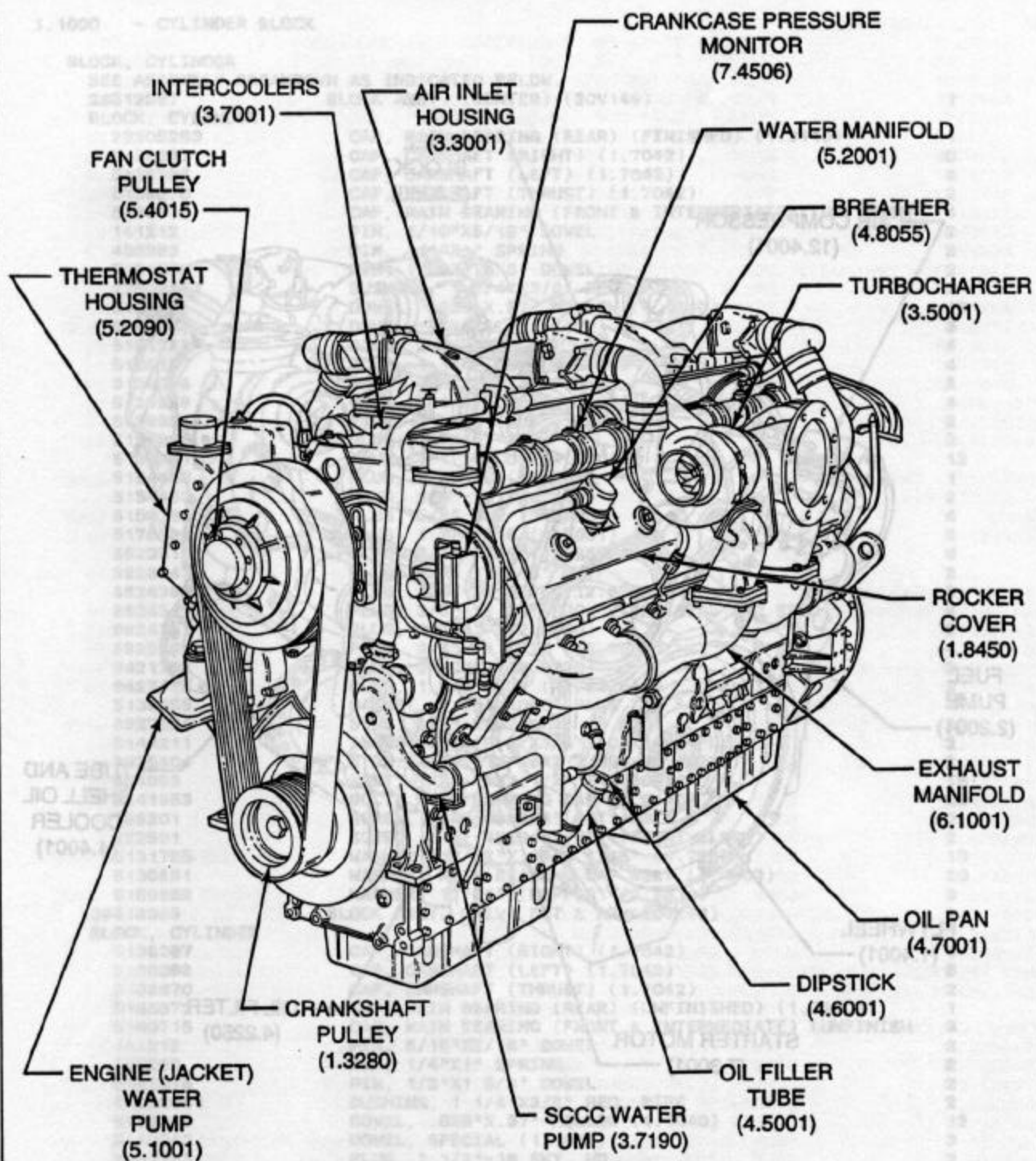
PART NAME	GROUP NO.	PART NAME	GROUP NO.
S			
SENSOR, MAG. IDLER	2. 1610	SHIELD, GENERATOR	7. 1005
SENSOR, OIL AND AIR TEMPERATURE	2. 1630	SHIELD, TURBOCHARGER RADIATION	3. 5013
SENSOR, OIL PRESSURE	2. 1600	SHIM, BLOWER ROTOR GEAR	3. 4090
SENSOR, PRESSURE	7. 7425	SHIM, ENGINE REAR SUPPORT	11.1102
SENSOR, PROPELLER SPEED	7. 7424	SHIM, GOVERNOR VARIABLE SPEED SPRING	2. 7800
SENSOR, WATER TEMPERATURE	3. 5532	SHIM, OIL PAN	4. 7165
SERVICE KIT, INJECTOR	2. 1002	SHIM, OIL PUMP	4. 1030
SERVICE KITS AND SETS	12.8000C	SHROUD, FAN	5. 3215
SETS, SERVICE (ALL)	12.8720	SHROUD, FRESH WATER PUMP	5. 1195
SHAFT AND CARRIER ASSY., GOVERNOR		SHUTOFF, ALARM SYSTEM AND O.S	
WEIGHT	2. 7350	GOVERNOR	7. 4000C
SHAFT AND GEAR ASSY., OVERSPEED VALVE		SLEEVE, CRANKSHAFT REAR OIL SEAL	1. 3066
AND TACHOMETER DRIVE	7. 4753	SLEEVE, CRANKSHAFT REAR OIL SEAL	1. 5012
SHAFT AND GEAR ASSY., OVERSPEED VALVE		SLEEVE, GOVERNOR DRIVEN SHAFT	2. 8800
AND TACHOMETER DRIVEN	7. 4754	SLEEVE, VIBRATION DAMPER HUB	1. 3232
SHAFT ASSY., ACTUATOR DRIVE HOUSING	2. 6564	SLEEVE, VIBRATION DAMPER HUB	1. 4012
SHAFT ASSY., FRESH WATER PUMP	5. 1050	SLEEVE, WATER HOLE SEAL	1. 2021
SHAFT ASSY., GOVERNOR DRIVEN	2. 8790	SLINGER, RAW WATER PUMP SHAFT	5. 6200
SHAFT ASSY., GOVERNOR SHUTDOWN	2. 7115	SOLENOID, AIR SHUTOFF OR GOVERNOR	7. 4519
SHAFT ASSY., GOVERNOR THROTTLE	2. 7095	SOLENOID, GOVERNOR OPERATING	2. 7305
SHAFT ASSY., ROCKER	1. 8160	SOLENOID, THROTTLE CONTROL	2. 9355
SHAFT ASSY., TACHOMETER DRIVE FLEXIBLE	7. 4405	SPACER, ACCESSORY DRIVE BEARING	1. 7652
SHAFT ASSY., TURBOCHARGER ROTOR	3. 5033	SPACER, ACCESSORY DRIVE OIL SEAL	1. 7665
SHAFT, ACCESSORY DRIVE	1. 7640	SPACER, FAN SHAFT BEARING	5. 4170
SHAFT, AIR INLET HOUSING SHUTDOWN		SPACER, GENERATOR ADJUSTING STRAP	7. 1581
VALVE	3. 3050	SPACER, GENERATOR DRIVE PULLEY SHAFT	
SHAFT, BLOWER BYPASS	3. 5760	BEARING	7. 1540
SHAFT, BLOWER DRIVE	3. 4445	SPACER, GOVERNOR	2. 7030
SHAFT, CAMSHAFT CONNECTING	1. 7003	SPACER, GOVERNOR DRIVE TO BLOWER	2. 8745
SHAFT, FAN	5. 4100	SPACER, IDLER GEAR BEARING	1. 7226
SHAFT, FUEL PUMP DRIVE	2. 2093	SPACER, IDLER GEAR HOLE	1. 7260
SHAFT, FUEL PUMP DRIVEN	2. 2089	SPACER, INJECTOR CONTROL TUBE SPRING	2. 9013
SHAFT, GENERATOR DRIVE	7. 1530	SPACER, LINKAGE	2. 6523
SHAFT, GOVERNOR	8. 3435	SPACER, OIL PUMP BODY	4. 1060
SHAFT, GOVERNOR DRIVE	2. 8820	SPACER, TURBOCHARGER ROTOR THRUST	3. 5035
SHAFT, GOVERNOR DRIVEN	2. 8795	SPACER, VIBRATION DAMPER	1. 3275
SHAFT, GOVERNOR OPERATING	2. 7255	SPEED SELECT ASSEMBLY	2. 6693
SHAFT, GOVERNOR SPEED ADJUSTING	2. 8280	SPEED, TRIP GOVERNOR SWITCH HOUSING	7. 4681
SHAFT, GOVERNOR SPEED ADJUSTING	8. 3470	SPIDER AND SHAFT ASSY., GOVERNOR	
SHAFT, GOVERNOR SPEED ADJUSTING		OPERATING	8. 3400
TERMINAL	2. 8470	SPRING, AIR INLET HOUSING SHUTDOWN	
SHAFT, GOVERNOR VARIABLE SPEED SPRING		VALVE TENSION	3. 3070
LEVER	2. 7720	SPRING, BLOWER BYPASS VALVE	3. 5773
SHAFT, GOVERNOR WEIGHT CARRIER	2. 7360	SPRING, COLLECTOR	4. 8230
SHAFT, INJECTOR CONTROL TUBE END	2. 9007	SPRING, EXHAUST VALVE	1. 8340
SHAFT, OIL PUMP DRIVE	4. 1070	SPRING, FLEXIBLE SHAFT CASING	12.8512
SHAFT, OIL PUMP DRIVEN GEAR	4. 1080	SPRING, FUEL FILTER ELEMENT	2. 3370
SHAFT, OVERSPEED AND LOW OIL PRESSURE		SPRING, FUEL PUMP VALVE RETAINING	2. 2160
VALVE DRIVE FLEXIBLE	7. 4608	SPRING, FUEL STRAINER	2. 3060
SHAFT, OVERSPEED TRIP GOVERNOR		SPRING, GOVERNOR FUEL ROD SHORT	2. 8120
OPERATING	7. 4648	SPRING, GOVERNOR HIGH SPEED	2. 7550
SHAFT, RAW WATER PUMP	5. 6120	SPRING, GOVERNOR LEVER RETRACTING	2. 7210
SHAFT, TACHOMETER DRIVE	7. 4435	SPRING, GOVERNOR LOW SPEED	2. 7540
SHAFT, TACHOMETER DRIVE	7. 4751	SPRING, GOVERNOR RELIEF VALVE	2. 8680
SHELL ASSY., OIL COOLER TUBE TYPE	4. 4003	SPRING, GOVERNOR SHUTDOWN SHAFT	2. 7117
SHELL, BREATHER	4. 8055	SPRING, GOVERNOR SPEED ADJUSTING	8. 3485
SHELL, CONNECTING ROD BEARING	1. 6100	SPRING, GOVERNOR SPEEDER	2. 8530
SHELL, CRANKSHAFT MAIN BEARING	1. 3090	SPRING, GOVERNOR VARIABLE SPEED	2. 7780
SHELL, FUEL FILTER	2. 3380	SPRING, HYDRAULIC GOVERNOR TO	
SHELL, FUEL STRAINER	2. 3050	OPERATING LEVER	2. 8958
SHELL, OIL FILTER	4. 2280	SPRING, INJECTOR CONTROL TUBE	2. 9012
SHIELD, EXHAUST MANIFOLD HEAT	6. 1171	SPRING, INJECTOR PLUNGER	2. 1080

ALPHABETICAL INDEX

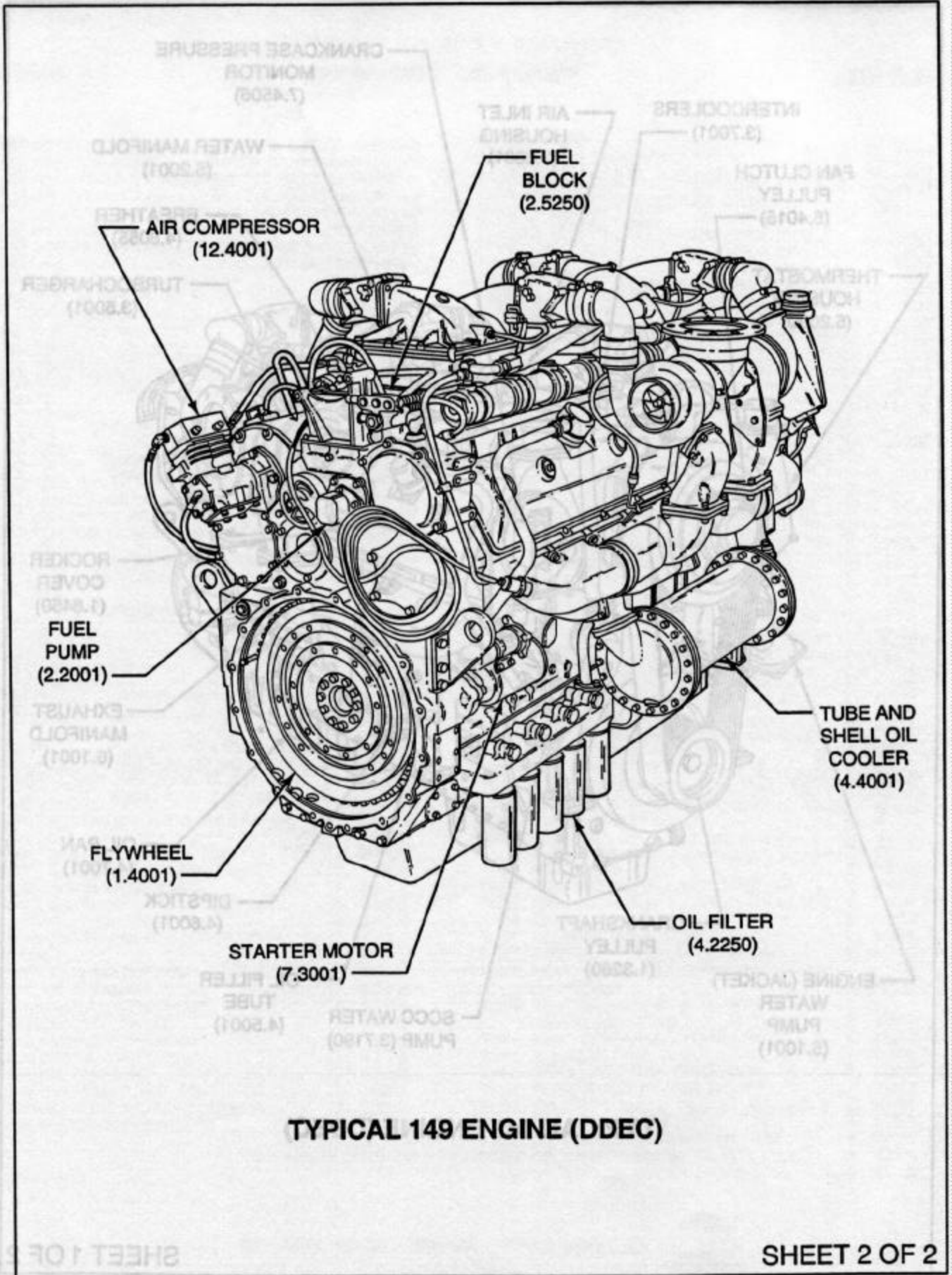
PART NAME	GROUP NO.	PART NAME	GROUP NO.
S		T	
SPRING, INJECTOR STOP PIN	2. 1105	TACHOMETER	7. 4060
SPRING, INJECTOR VALVE	2. 1250	TACHOMETER DRIVE	7. 4000B
SPRING, OIL COOLER BYPASS VALVE	4. 4150	TANK ASSY., AIR BOX AND FUEL PUMP DRAIN	1. 1150
SPRING, OIL FILTER	4. 2310	TANK EXPANSION	5. 5001
SPRING, OIL FILTER BYPASS VALVE	4. 2486	TANK, RADIATOR LOWER	5. 3030
SPRING, OIL PRESSURE REGULATOR	4. 1690	TANK, RADIATOR UPPER	5. 3020
SPRING, OVERSPEED TRIP GOVERNOR HIGH OR LOW SPEED	7. 4651	THERMOSTAT	5. 2000B
SPRING, OVERSPEED VALVE PISTON	7. 4737	THERMOSTAT AND PLATE ASSY.	3. 5533
SPRING, RAW WATER PUMP SHAFT SEAL	5. 6178	THERMOSTAT ASSY.	5. 2050
SPRING, SPEED ADJUSTING SHAFT TORSION	2. 8355	THREADLOCK, SEALER	12.8242
SPRING, THROTTLE BOOSTER	2. 9347	THROTTLE AND GEAR CONTROL SYSTEM ELECTRONIC	7. 7000B
SPRING, TROLL VALVE LEVER	7. 7426	THROTTLE CONTROLS	2. 9000A
SPRING, WATER FILTER	5. 7026	TIP ASSY., INJECTOR SPRAY	2. 1235
STAKING AND SWAGING TOOL FLEXIBLE SHAFT	12.8518	TIP, FLEXIBLE SHAFT LOWER	12.8506
STARTING MOTOR	7. 3000A	TIP, FLEXIBLE SHAFT UPPER	12.8508
STOP, GOVERNOR VARIABLE SPEED SPRING RETAINER	2. 7795	TORQUE CONVERTER	8. 3000A
STRAINER ASSY., FUEL	2. 3001	TRANSDUCER ASSY., MODULE PRESSURE	2. 6575
STRAINER, OIL FILLER TUBE	4. 5020	TRANSMISSION LINES	8. 3000B
STRAP, AIR CLEANER MOUNTING	3. 1220	TRUNNION, ENGINE FRONT	11.1088
STRAP, GENERATOR ADJUSTING	7. 1580	TUBE AND SHELL KIT, OIL COOLER	4. 4008
STRIP, RADIATOR TANK MOUNTING	5. 3050	TUBE ASSY., AIR CYLINDER LUBRICATION	2. 9096
STUD, CYLINDER HEAD	1. 2030	TUBE ASSY., HEAT EXCHANGER TO WATER PUMP	5. 2166
STUD, EXHAUST MANIFOLD TO HEAD	6. 1020	TUBE ASSY., INJECTOR CONTROL	2. 9001
STUD, FRESH WATER PUMP BODY	5. 1040	TUBE WATER BYPASS VENT	5. 2250
STUD, GOVERNOR OIL PUMP DRIVEN GEAR TO BASE	2. 8740	TUBE, ACCESSORY DRIVE OIL SUPPLY	1. 7647
STUD, HEAT EXCHANGER	5. 5040	TUBE, AIR BOX DRAIN	1. 1100
STUD, OIL FILTER CENTER	4. 2410	TUBE, AIR COMPRESSOR BOOSTER	12.4375
SUB-CAP ASSY., GOVERNOR	2. 8050	TUBE, AIR COMPRESSOR LUBE OIL DRAIN	12.4070
SUMP, OIL PAN	4. 7140	TUBE, AIR COMPRESSOR LUBE OIL SUPPLY	12.4065
SUPPLIES	12.8000A	TUBE, AIR COMPRESSOR WATER CROSSOVER	12.4087
SUPPORT ASSY., CRANKSHAFT REAR	1. 5021	TUBE, AIR COMPRESSOR WATER INLET	12.4085
SUPPORT, BLOWER DRIVE	1. 7435	TUBE, AIR COMPRESSOR WATER OUTLET	12.4090
SUPPORT, ENGINE FRONT	11.1070	TUBE, BLOWER OIL SUPPLY	2. 6625
SUPPORT, ENGINE FRONT TRUNNION MOUNTING	11.1090	TUBE, BLOWER OIL SUPPLY	3. 4192
SUPPORT, ENGINE REAR	11.1100	TUBE, EXHAUST MANIFOLD VENT	6. 1135
SUPPORT, GENERATOR ADJUSTING STRAP BRACKET	7. 1583	TUBE, EXHAUST MANIFOLD WATER-INLET	7. 4694
SUPPORT, GENERATOR DRIVE GEAR	1. 7442	TUBE, EXHAUST MANIFOLD WATER-OUTLET	7. 4699
SUPPORT, GENERATOR DRIVE GEAR	7. 1512	TUBE, EXPANSION TANK OVERFLOW	5. 5190
SUPPORT, INSTRUMENT PANEL	7. 4013	TUBE, FILTER OUTLET	2. 5151
SUPPORT, OIL PUMP	4. 1025	TUBE, FUEL COOLER	2. 5214
SUPPORT, OIL PUMP INLET TUBE	4. 1512	TUBE, FUEL CROSSOVER	2. 4015
SUPPORT, OVERSPEED GOVERNOR DRIVE GEAR	7. 4665	TUBE, FUEL DRAIN	2. 5210
SUPPORT, RAW WATER PUMP	5. 6005	TUBE, FUEL FILTER TO JUNCTION BLOCK	2. 5148
SWITCH, AIR PRESSURE	7. 4503	TUBE, FUEL MANIFOLD TO JUNCTION BLOCK	2. 5218
SWITCH, ALARM SHUTOFF-FUEL	7. 4598	TUBE, FUEL PUMP TO FILTER	2. 5100
SWITCH, CONTROL PANEL	7. 7660	TUBE, GENERATOR OIL SUPPLY	7. 1004
SWITCH, EMERGENCY BACKUP	7. 7465	TUBE, GOVERNOR OPERATING PRESSURE	2. 8910
SWITCH, ENGINE STARTING	7. 4115	TUBE, HEAT EXCHANGER FRESH WATER INLET CONNECTION	5. 5220
SWITCH, OIL PRESSURE	7. 4586	TUBE, HEAT EXCHANGER RAW WATER INLET EXHAUST MANIFOLD OUTLET TUBE	5. 5435
SWITCH, OVERSPEED TRIP GOVERNOR	7. 4659	TUBE, HEAT EXCHANGER WATER INLET	5. 2217
SWITCH, STARTING MOTOR SOLENOID	7. 3255	TUBE, INJECTOR HOLE	1. 2045
SWITCH, WATER TEMPERATURE	7. 4505	TUBE, INTERCOOLER WATER RETURN	3. 5428
		TUBE, INTERCOOLER WATER SUPPLY	3. 5427
		TUBE, JUNCTION BLOCK TO FUEL MANIFOLD	2. 5185
		TUBE, OIL COOLER BYPASS	4. 4176
		TUBE, OIL COOLER INLET AND OUTLET	4. 4190
		TUBE, OIL COOLER WATER INLET	4. 4269
		TUBE, OIL COOLER WATER OUTLET	4. 4270

ALPHABETICAL INDEX

PART NAME	GROUP NO.	PART NAME	GROUP NO.
T			
TUBE, OIL FILLER	4. 5001	VALVE, INJECTOR CHECK	2. 1200
TUBE, OIL PAN DRAIN	4. 7100	VALVE, OIL COOLER BYPASS	4. 4140
TUBE, OIL PRESSURE GAGE FOR CUSTOMER GAGE CONNECTOR TO SELECTOR VALVE HOUSING FLANGE	9. 1775	VALVE, OIL FILTER BYPASS	4. 2400
TUBE, OIL PRESSURE GAGE-ENGINE	7. 4074	VALVE, OIL FILTER BYPASS	4. 2485
TUBE, OIL PRESSURE GAGE-MARINE	4. 1597	VALVE, OIL PRESSURE REGULATOR	4. 1700
TUBE, OIL PRESSURE SWITCH	7. 4596	VALVE, VACUATOR	3. 1004
TUBE, RAW WATER PUMP INTERCOOLER	3. 5429	VENTILATING SYSTEM	4. 8000A
TUBE, RAW WATER PUMP OUTLET	5. 5380	VIBRATION DAMPER	1. 3000B
TUBE, STRAINER TO FUEL PUMP	2. 5050	V	
TUBE, TURBOCHARGER OIL RETURN	3. 5505	WASHER, BLOWER DRIVE GEAR THRUST	1. 7433
TUBE, TURBOCHARGER OIL SUPPLY	3. 5500	WASHER, BLOWER DRIVE SUPPORT THRUST	1. 7437
TUBE, TURBOCHARGER WATER RETURN	3. 5525	WASHER, CRANKSHAFT MAIN BEARING THRUST	1. 3100
TUBE, TURBOCHARGER WATER SUPPLY	3. 5520	WASHER, FLEXIBLE SHAFT TIP RETAINING	12.8510
TUBE, WATER BYPASS CROSSOVER BETWEEN EXHAUST MANIFOLDS	5. 2164	WASHER, FUEL PIPE CONNECTOR	2. 4050
TUBE, WATER BYPASS FROM EXHAUST MANIFOLD	5. 2162	WASHER, GOVERNOR SHUTDOWN SHAFT	2. 7145
TUBE, WATER BYPASS TO EXHAUST MANIFOLD	5. 2161	WASHER, GOVERNOR THROTTLE SHAFT	2. 7140
TUBE, WATER PUMP TO ADAPTOR	7. 4512	WASHER, IDLER GEAR THRUST	1. 7230
TURBOCHARGER	3. 5001	WATER BYPASS TUBE	5. 2000C
TURBOCHARGER, INTERCOOLER AND AFTERCOOLER	3. 5000A	WATER CONNECTIONS	5. 3000B
V			
VALVE AND INJECTOR OPERATING MECHANISM	1. 8000	WATER FILTER	5. 7000A
VALVE ASSY., AIR STARTER	12.6130	WATER OUTLET MANIFOLD AND/OR ELBOW	5. 2000A
VALVE ASSY., FUEL PUMP	2. 2130	WEIGHT AND CARRIER ASSY., OVERSPEED TRIP GOVERNOR	7. 4623
VALVE ASSY., ILCC CONTROL	3. 5540	WEIGHT AND CARRIER ASSY., OVERSPEED TRIP GOVERNOR	7. 4623
VALVE ASSY., OIL COOLER BYPASS	4. 4120	WEIGHT ASSY., GOVERNOR	8. 3405
VALVE ASSY., OVERSPEED AND LOW OIL PRESSURE	7. 4591	WEIGHT, FRONT BALANCE	1. 7140
VALVE KIT, GOVERNOR RELIEF	2. 8635	WEIGHT, GOVERNOR	2. 7390
VALVE, AIR INLET HOUSING SHUTDOWN	3. 3040	WEIGHT, OVERSPEED TRIP GOVERNOR	7. 4625
VALVE, BLOWER BYPASS	3. 5770	WEIGHT, REAR BALANCE	1. 7190
VALVE, EXHAUST	1. 8310	WHEEL, FRONT BALANCE	1. 7145
VALVE, FUEL SUPPLY CHECK	2. 5006	WHEEL, TURBOCHARGER COMPRESSOR	3. 5036
VALVE, GOVERNOR OPERATING SOLENOID	2. 8915	WIRE ASSY., GENERATOR TO REGULATOR	7. 1630
W			
		WIRE 14 ELECTRIC 100 FT ROOL RAIL CAR	12.8225
		WIRE, AIR INLET HOUSING SHUTDOWN CONTROL	3. 3250
		WIRING HARNESS	7. 7000A
		WIRING KIT, FAN	5. 4315



TYPICAL 149 ENGINE (DDEC)



TYPICAL 149 ENGINE (DDEC)

DETROIT DIESEL
CUSTOM PARTS CATALOG 02/19/96
20E0200125

PART #	NAME AND DESCRIPTION	QUANTITY
1. 1000 - CYLINDER BLOCK		
BLOCK, CYLINDER		
SEE ASSEMBLY BREAKDOWN AS INDICATED BELOW.		
23512587	BLOCK ASSY. (CENTER) (20V149)	1
BLOCK, CYLINDER		
23505263	CAP, MAIN BEARING (REAR) (FINISHED) (1.3110)	1
5138367	CAP, CAMSHAFT (RIGHT) (1.7042)	6
5138368	CAP, CAMSHAFT (LEFT) (1.7042)	8
5138670	CAP, CAMSHAFT (THRUST) (1.7042)	2
5140716	CAP, MAIN BEARING (FRONT & INTERMEDIATE) (UNFINISH)	4
141212	PIN, 5/16"X5/16" DOWEL	2
456299	PIN, 1/4"X1" SPRING	2
5151576	PIN, 1/2"X1 5/8" DOWEL	2
23502481	BUSHING, 1 1/4"X3/8" RED. PIPE	2
5138638	DOWEL, .626"X.37" HOLLOW (4.1040)	16
5140843	DOWEL, SPECIAL (1.1003)	3
5101283	PLUG, 2 1/2"-16 SKT. HD.	4
5109157	PLUG, 1-1/4" CUP (5.5001)	4
5139988	PLUG, CUP 1" DIA. STNLS.	8
5139989	PLUG, 2 1/2" CUP (1.1001)	4
5139990	PLUG, 1 7/16" CUP	2
5139990	PLUG, 1 7/16" CUP	3
5139991	PLUG, 1-1/2" CUP (1.1001)	12
5154453	PLUG, 3/8"-16 (12.001)	1
5154453	PLUG, 3/8"-16 (12.001)	2
5156280	PLUG, 5/8" CUP (3.3003)	4
5178998	PLUG, 1 3/4"-16 (1.1001)	2
8923313	PLUG, 3/4" PIPE (12.9550)	6
8923847	PLUG, PIPE 1/4"-18" NPTF	2
8924380	PLUG, 1/8"-27 PIPE (12.9550)	5
8924517	PLUG, 3/8"-18 SQ. SOC. VIBRA SEAL (12.9550)	4
8924751	PLUG, 1 1/4" (12.9550)	2
8925361	PLUG, 3/4"-14 NPTF (12.9550)	4
9421768	PLUG, 3" CUP (12.9320)	3
9427118	PLUG, 1 3/4" CUP (12.9320)	2
5138659	GASKET, 2.75"X.063" PLUG	4
8927921	STUD, 1/2"-20X2 1/2" (6.020)	20
5144211	INSERT, 5/8"O.D.X3/8" I.D.X1 1/4"L.	2
8925804	STUD, 7/16"-14/20X2 3/32" (6.1020)	2
454992	BOLT, 1/2"-13X2 1/2" (12.9001)	16
5141953	BOLT, MAIN BEARING CAP (1.3140)	20
138201	SCREW, 1/4"-20X3/4" SKT. HD.	3
222591	SCREW, 1/2"-13X3/4" SET (FRONT BLOCK)	2
5131755	WASHER, 17/32"X.88"X.1345" (1.7250)	16
5139851	WASHER, MAIN BEARING CAP BOLT (1.1003)	20
5169866	WASHER, 17/64" (COPPER) (2.8810)	3
23512588	BLOCK ASSY. UNIV. FRT & RR (20V149)	2
BLOCK, CYLINDER		
5138367	CAP, CAMSHAFT (RIGHT) (1.7042)	4
5138368	CAP, CAMSHAFT (LEFT) (1.7042)	6
5138670	CAP, CAMSHAFT (THRUST) (1.7042)	2
5138672	CAP, MAIN BEARING (REAR) (UNFINISHED) (1.3110)	1
5140716	CAP, MAIN BEARING (FRONT & INTERMEDIATE) (UNFINISH)	3
141212	PIN, 5/16"X5/16" DOWEL	2
456299	PIN, 1/4"X1" SPRING	2
5151576	PIN, 1/2"X1 5/8" DOWEL	2
23502481	BUSHING, 1 1/4"X3/8" RED. PIPE	2
5138638	DOWEL, .626"X.37" HOLLOW (4.1040)	12
5140843	DOWEL, SPECIAL (1.1003)	3
5101283	PLUG, 2 1/2"-16 SKT. HD.	3
5109157	PLUG, 1-1/4" CUP (5.5001)	4
5132410	PLUG, 1 5/8" CUP (STAINLESS STEEL)	2
5139988	PLUG, CUP 1" DIA. STNLS.	6
5139989	PLUG, 2 1/2" CUP (1.1001)	4
5139990	PLUG, 1 7/16" CUP	2
5139991	PLUG, 1-1/2" CUP (1.1001)	12
5154453	PLUG, 3/8"-16 (12.001)	1
5154453	PLUG, 3/8"-16 (12.001)	2
5156280	PLUG, 5/8" CUP (3.3003)	4
5178998	PLUG, 1 3/4"-16 (1.1001)	3
8923313	PLUG, 3/4" PIPE (12.9550)	6
8923847	PLUG, PIPE 1/4"-18" NPTF	2
8924380	PLUG, 1/8"-27 PIPE (12.9550)	7

PART #	NAME AND DESCRIPTION	QUANTITY
1.1000 - CYLINDER BLOCK		
8924517	PLUG, 3/8"-18 SQ. SOC. VIBRA SEAL (12.9550)	3
8924751	PLUG, 1 1/4" (12.9550)	2
8925361	PLUG, 3/4"-14 NPTF (12.9550)	4
9421768	PLUG, 3" CUP (12.9320)	3
9427118	PLUG, 1 3/4" CUP (12.9320)	1
9427118	PLUG, 1 3/4" CUP (12.9320)	2
5138659	GASKET, 2.75"X.063" PLUG	3
5178997	GASKET, PLUG (ALUM.)	3
8927921	STUD, 1/2"-20X2 1/2" (6.020)	32
5144211	INSERT, 5/8"D.D.X3/8"I.D.X1 1/4"L.	2
8925804	STUD, 7/16"-14/20X2 3/32" (6.1020)	2
454992	BOLT, 1/2"-13X2 1/2" (12.9001)	12
5141953	BOLT, MAIN BEARING CAP (1.3140)	16
138201	SCREW, 1/4"-20X3/4" SKT. HD.	3
222502	SCREW, 3/8"-16X3/8" SET	2
222591	SCREW, 1/2"-13X3/4" SET (FRONT BLOCK)	2
5131755	WASHER, 17/32"X.88"X.1345" (1.7250)	12
5139851	WASHER, MAIN BEARING CAP BOLT (1.1003)	16
5169866	WASHER, 17/64" (COPPER) (2.8810)	3
5143349	SLEEVE, 1 1/4" DIA.	2
8925710	DRAINCOCK, 3/8" (12.9510)	2
5154453	PLUG, 3/8"-16 (12.001)	2
GASKET KIT, ENGINE OVERHAUL		
A GASKET KIT CONSISTS OF THE NECESSARY GASKETS FOR ONE COMPLETE ENGINE OVERHAUL.		
23516878	GASKET KIT (20V) (LESS HEAD GASKET COMPONENTS, OIL COOLER GASKETS AND AIR INLET BLOWER GASKETS)	AR
ATTACHING PARTS, CYLINDER BLOCK FRONT TO REAR		
AN INTER-BLOCK BOLT KIT CONSISTS OF BARS, BOLTS, WASHERS AND NUT IN 1.1003.		
5140843	C DOWEL, SPECIAL (1.1003)	4
5199701	KIT, INTER-BLOCK BOLT	AR
23504737	C SEAL, STRIP INTER-BLOCK (UNIVERSAL)	1
5139853	BAR, BOLTING (ITEM 3)	1
5140261	SEAL, RING (OIL GALLERY)	1
5141037	C SEAL RING (.880" I.D.) (WATER HOLES)	2
23504738	C SPACER, MAIN OIL GALLERY (FRONT BLOCK)	1
5146279	&C SEAL RING (REAR BLOCK)	2
9437977	BOLT, 1/2"-13X1 3/4" 12 PT. HD. (12.9001) (ITEM F)	2
5138590	BOLT, 1/2"-13X4 SKT. HD. (ITEM B)	2
9409204	BOLT, 1/2"-20X3 1/4" (12.9001)	1
9425326	BOLT, 5/8"-11X4.00" (1.1003)	2
186729	BOLT, 3/4"-10X3" (ITEM D)	2
223452	BOLT, 3/4"-10X2 1/2"	2
5138591	BOLT, 3/4"-10X5 1/2" SKT. HD. (ITEM A)	4
5131755	C WASHER, 17/32"X.88"X.1345" (1.7250)	3
5139851	WASHER, MAIN BEARING CAP BOLT (1.1003)	8
9425593	NUT, 1/2"-20 LOCK (12.9120)	1
C NOT INCLUDED IN INTER-BLOCK BOLT KIT.		
& EFF. WITH 12E-1040, 16E-057.		
SCREEN, CYLINDER BLOCK DRAIN		
5140521	SCREEN (R.H. FRONT AND L.H. REAR)	3
5140607	SCREEN (L.H. FRONT AND R.H. REAR)	3
8925230	SCREEN (L.H. FRONT)	1
8925231	SCREEN (R.H. FRONT)	1
23512103	SCREEN ASSY. (CENTER)	4
186618	BOLT, 5/16"-18X5/8"	6
186625	BOLT, 5/16"-18X7/8"	6
120393	WASHER, 5/16"	2
103320	LOCKWASHER, 5/16"	12
COVER, CYLINDER BLOCK WATER HOLE		
5139852	COVER	8
8927581	BOLT, 3/8"-16X1.135" (12.9001)	32
GASKET, CYLINDER BLOCK WATER HOLE COVER		
23506132	GASKET	2
COVER, CYLINDER BLOCK AIR BOX		
103172	STUD, 5/16"X1 1/8"	4

DETROIT DIESEL
CUSTOM PARTS CATALOG 02/19/96
20E0200125

PART #	NAME AND DESCRIPTION	QUANTITY
1.1000 - CYLINDER BLOCK		
23514935	BRACKET ECM MOUNTING	2
23515356	COVER GOV HOLE	1
5143134	SEAL RING (1.64" I.D.) (2.7020)	6
5143349	SLEEVE, 1 1/4" DIA.	6
23502327	COVER (BLOWER BYPASS)	2
23502328	COVER (BLOWER BYPASS)	1
5145622	* COVER (GOVERNOR HOLE)	2
8920850	COVER	14
8924915	BOLT, 5/16"-18X7/8" (12.9001)	15
8927581	BOLT, 3/8"-16X1.135" (12.9001)	77
8927579	BOLT, 3/8"-16X.88" (W/SEAL PATCH) (12.9001)	48
5155596	WASHER, 21/64" SPECIAL COPPER (4.7120)	15
* WHEN REPLACING COVERS ON UNITS PRIOR TO 12E-474 INCLUDE LONGER ATTACHING BOLTS.		
GASKET, CYLINDER BLOCK AIR BOX COVER		
23515108	GASKET ECM MTG BRKT & GOV HOLE CVR	3
5139696	RING, SEAL	2
5140956	RING, SEAL	2
5140957	RING, SEAL	1
5145623	GASKET (GOVERNOR HOLE)	1
8927618	GASKET	14
1.1000A - AIR BOX DRAINS		
TUBE, AIR BOX DRAIN		
5113689	HOSE, #6X75" L. (7.4699) (CUT L. 6.50")	1
5199575	HOSE, BULK #6X25 FT. (12.8550) (CUT 27.50")	5
5113191	FITTING, FEMALE SWIV. 3/8" HOSE 5/8"-18 (12.6692)	6
25042692	CHECK VALVE ASSY. (4 PSI)	6
8924180	NIPPLE, 1/4"-18 PIPE (12.9560)	6
8924378	BUSHING PIPE RED 3/4 X 1/4	6
8924168	ELBOW, 90 DEG. STREET, 1/4" PIPE (12.9590)	6
CLIP, AIR BOX DRAIN TUBE		
2362448	CLIP .688" DIA 3/8" BOLT CTD (12.8554)	6
5147599	CLIP, .562" DIA. 1/2" BOLT (2.5120)	6
103342	WASHER, 7/16"	6
179857	BOLT, 7/16"-14X7/8"	6
103322	LOCKWASHER, 7/16"	6
1.2000 - CYLINDER HEAD		
HEAD ASSY., CYLINDER		
ASSEMBLIES IN THIS SECTION MAY HAVE REMANUFACTURED EQUIVALENTS-REFER TO SECTION 12.8000D. EXCEPT FOR HEAD ASSY. QUANTITIES SHOWN ARE PER CYLINDER. A BASIC HEAD ASSY. INCLUDES ITEMS IN 1.2001, 1.2045, 1.2046, GUIDE IN 1.8320, 1.8330 AND 1.8345. A COMPLETE HEAD ASSY. INCLUDES THE HEAD ASSY. SHOWN IN THE SAME TYPE PLUS ITEMS IN 1.8310, SEAL IN 1.8320, 1.8340 AND 1.8360.		
123508748	HEAD ASSY., HIGH OUTPUT CERAMIC-COMplete (ALL NEW EXCHANGE)	20
R23508748	REMANUFACTURED 23508748	AR
5139988	PLUG, CUP 1" DIA. STNLS.	2
5139997	PLUG, 7/8" CUP (1.2001)	6
8926993	PLUG, FUSE (1/4"-18 RECESSED SOC. HD.)	1
GASKET KIT, CYLINDER HEAD OVERHAUL		
A KIT CONSISTS OF ALL GASKETS FOR ONE CYLINDER HEAD.		
23504895	GASKET KIT, CYLINDER HEAD OVERHAUL (W/INTEGRAL SEAL)	AR
23505213	GASKET KIT, CYLINDER HEAD OVERHAUL (W/OVERSIZE INTEGRAL SEAL)	AR
GASKET, CYLINDER HEAD COMPRESSION		
23504895	GASKET KIT, CYLINDER HEAD OVERHAUL (W/INTEGRAL SEAL)	AR
23516371	SEAL INTEGRAL 1 PC OVERSIZED SERVICE	AR
23515865	SEAL INTEGRAL 1PC BTWN BLK&HD 149	20
GASKET, CYLINDER HEAD COMPRESSION		
23515231	GASKET CYLINDER HD COMP 149	1

DETROIT DIESEL
CUSTOM PARTS CATALOG 02/19/96
20E0200125

PART #	NAME AND DESCRIPTION	QUANTITY
1.2000 - CYLINDER HEAD		
GASKET, CYLINDER HEAD WATER AND OIL		
5139509	RING, SEAL (7.987" I.D.)	1
STUD, CYLINDER HEAD		
23509593	BOLT, 9/16"-18X7.156"	7
5139850	WASHER	7
KIT CYLINDER HEAD BOLT		
23516958	CYLINDER HEAD BOLT KIT	AR
TUBE, INJECTOR HOLE		
A TUBE KIT INCLUDES	SEAL RING IN 1.2046.	
5199528	TUBE KIT (2.1290)	1
RING, INJECTOR HOLE TUBE SEAL		
5146539	RING, SEAL (1.609" I.D.) (IDENTIFY WITH A WHITE NO NPERMANENT STRIPE OR DOT) (2.1300)	1
CONNECTION, CYLINDER HEAD WATER OUTLET		
5139436	TUBE (ELBOW TO BLOCK)	1
179828	BOLT, 5/16"-18X.2 1/2"	2
5139566	ELBOW (TO HEAD)	1
120393	WASHER, 5/16"	2
GASKET, CYLINDER HEAD WATER OUTLET CONNECTION		
5139457	RING, SEAL (.862" I.D.)	2
5126623	SEAL, RING (1.2020)	1
1.2000A - ENGINE, LIFTER BRACKET		
BRACKET, ENGINE LIFTER-FRONT		
186295	BOLT, 1/2"-13X5 1/2"	2
186689	BOLT, 1/2"-13X2"	4
23512639	SUPPORT, FAN	1
427564	BOLT, 7/16"-14X1 3/8" (12.9001)	4
5131913	WASHER, 13/16"X29/64"X5/32" (3.4001)	4
8927584	BOLT, 3/8"-16X1.515" HEX. HD. (12.9001)	2
450517	BOLT, 3/8"-16X4 3/4" (12.9001)	1
5132715	WASHER, .53"X.94"X.12" (1.3140)	6
103341	WASHER, 3/8"	3
BRACKET, ENGINE LIFTER-REAR		
5139481	BRACKET	2
223435	BOLT, 5/8"-11X1 3/4"	12
103325	LOCKWASHER, 5/8"	12
1.3000A - CRANKSHAFT FRONT COVER		
COVER, CRANKSHAFT FRONT		
A COVER ASSY. INCLUDES COVER (NOT SERVICED SEPARATELY) AND ITEMS IN 1.3175 THRU 1.3196.		
23513581	PLUG CUP 3.138 X .48 STAINL STL	2
23513659	SPACER, 21/32"X2.00"X.75"	1
23513660	SPACER, 21/32"X1.38"X.75"	1
272729	BOLT, 5/8"-11X5 1/2" (12.9001)	2
23512419	COVER	1
8925725	ADAPTOR, PIPE 1/4"-18	1
8925590	PLUG, 1 1/2" PIPE	2
187152	BOLT, 1/2"-13X5"	8
442734	BOLT, 1/2"-13X4" (12.9001)	2
223446	BOLT, 5/8"-11X4 1/2"	7
9425326	BOLT, 5/8"-11X4.00" (1.1003)	1
271577	BOLT, 5/8"-18X3/4" (12.9001)	1
5132715	WASHER, .53"X.94"X.12" (1.3140)	8
103345	WASHER, 5/8"	11
5107175	WASHER, 1/2" SEAL	8
5124988	WASHER (GENERATOR SHAFT)	12
103321	LOCKWASHER, 3/8"	1
CRANKSHAFT, FRONT SUPPORT SEAL RING		
5139584	SEAL RING	1

DETROIT DIESEL
CUSTOM PARTS CATALOG 02/19/96
20E0200125

PART #	NAME AND DESCRIPTION	QUANTITY
1.3000A - CRANKSHAFT FRONT COVER		
CRANKSHAFT, FRONT SUPPORT ASSY.		
SUPPORT ASSY. INCLUDES BUSHING IN 1.3165.		
23512661	SUPPORT ASSY.	1
5107179	BOLT, 1/2"-13X1 1/4"	7
5132715	WASHER, .53"X.94"X.12" (1.3140)	7
CRANKSHAFT, FRONT SUPPORT BEARING		
23509688	BUSHING	1
GASKET, CRANKSHAFT FRONT COVER		
5141245	SEAL (STRIP) (1.5010)	1
5141037	SEAL RING (.880" I.D.) (WATER HOLES)	2
COVER, CRANKSHAFT FRONT COVER SMALL HOLE		
5198636	PLATE, COVER (WTR. HOLE)	1
8927580	BOLT 3/8"-16X1.015" (12.9001)	3
GASKET, CRANKSHAFT FRONT COVER SMALL HOLE COVER		
5141878	GASKET (5.3421)	1
COVER, CRANKSHAFT FRONT COVER LARGE HOLE		
8927580	BOLT 3/8"-16X1.015" (12.9001)	6
5139582	COVER FRT CVR LRG HOLE V149	1
8923847	PLUG, PIPE 1/4-18" NPTF	1
GASKET, CRANKSHAFT FRONT COVER LARGE HOLE COVER		
5139583	GASKET	1
1.3000B - VIBRATION DAMPER		
DAMPER, VIBRATION		
23512993	DAMPER, 24" DIA. 20V	1
186646	BOLT, 1/2"-13X1 3/4"	16
5131755	WASHER, 17/32"X.88"X.1345" (1.7250)	16
HUB, VIBRATION DAMPER		
A HUB ASSY. INCLUDES SLEEVES IN 1.3232.		
23511490	HUB 20V	1
23502375	BOLT, 3/4"-16X6.031" 12 PT. HEAD	6
5139851	WASHER, MAIN BEARING CAP BOLT (1.1003)	6
23517577	PLATE-FRICTION 3/4 BOLT 149	1
SLEEVE, VIBRATION DAMPER HUB		
23514147	SERVICE KIT, SEAL & SLEEVE (FRT-RH ROTATION)	1
1.3000C - CRANKSHAFT PULLEY		
PULLEY, CRANKSHAFT		
23512662	PULLEY (10.06" DIA. X 27 GROOVE POLY-VEE)	1
5131724	KEY, 3/8"X1" WOODRUFF (1.3280)	2
RETAINER, CRANKSHAFT PULLEY		
5139717	RETAINER	1
5145352	BOLT, 1 1/4"-7X8"	1
CONE, CRANKSHAFT PULLEY		
5176982	CONE (.812"L.) (1.3240)	1
1.4000A - FLYWHEEL		
FLYWHEEL ASSY.		
A FLYWHEEL ASSY. INCLUDES GEAR IN 1.4010."C" INDICATES CHAMFERED GEAR.		
23516336	FLYWHEEL ASM SAE O RH CHAMF 146T V149	1
GEAR, FLYWHEEL RING		
5139998	GEAR (146 TEETH) R.H. CHAMFER	1
8927941	PLATE, SCUFF	1
23502384	BOLT, 3/4"-16X4.031"	12
220105	BOLT, 5/8"-11X2 1/2" LOCK	12
5102373	WASHER, 1.125"O.D.X.656" I.D. (1.3140)	12
1.5000A - FLYWHEEL, HOUSING		

DETROIT DIESEL
CUSTOM PARTS CATALOG 02/19/96
20E0200125

PART #	NAME AND DESCRIPTION	QUANTITY
1.5000A - FLYWHEEL, HOUSING		
HOUSING ASSY., FLYWHEEL		
23511321	HOUSING, FLYWHEEL (SAE#0) DUAL START.	1
116337	PLUG, 1 1/16" EXPANSION	5
8925590	PLUG, 1 1/2" PIPE	2
8927581	BOLT, 3/8"-16X1.135" (12.9001)	6
186295	BOLT, 1/2"-13X5 1/2"	8
215510	BOLT, 3/8"-16X5 3/4"	1
271577	BOLT, 5/8"-18X3/4" (12.9001)	1
223446	BOLT, 5/8"-11X4 1/2"	7
5135244	BOLT, 5/8"-11X4 1/4" (ITEM 6) (1.1001)	2
9424195	BOLT, 5/8"-11X8 1/4" (12.9001)	3
9426885	BOLT, 5/8"-11X8 1/2" (12.9001)	2
5132715	WASHER, .53"X.94"X.12" (1.3140)	8
5102373	WASHER, 1.125"O.D.X.656" I.D. (1.3140)	12
5107175	WASHER, 1/2" SEAL	8
103321	LOCKWASHER, 3/8"	1
SEAL, CRANKSHAFT OIL-REAR		
23507976	SEAL, OIL-NO DUST LIP (IDENTIFICATION: CLEAR COAT)	1
GASKET, FLYWHEEL HOUSING		
5141245	SEAL (STRIP) (1.5010)	1
5180539	GASKET (2.9333)	1
SUPPORT ASSY., CRANKSHAFT REAR		
SUPPORT ASSY. INCLUDES BUSHING IN 1.5023.		
23511309	SUPPORT ASSY.	1
23511323	SUPPORT ASSY.	1
SUPPORT ASSY., CRANKSHAFT REAR		
23511309	SUPPORT ASSY.	1
BUSHING, CRANKSHAFT REAR SUPPORT		
8922704	BUSHING	1
5107179	BOLT, 1/2"-13X1 1/4"	14
5132715	WASHER, .53"X.94"X.12" (1.3140)	14
SEAL RING, CRANKSHAFT REAR SUPPORT		
5139584	SEAL RING	1
BUSHING, CRANKSHAFT REAR SUPPORT		
8922704	BUSHING	1
COVER, FLYWHEEL HOUSING ACCESSORY HOLE		
179881	BOLT, 1/2"-13 X 1.00"	8
23511883	COVER	1
5140600	COVER (AT #4)	2
8927580	BOLT 3/8"-16X1.015" (12.9001)	4
8927581	BOLT, 3/8"-16X1.135" (12.9001)	2
23511917	SEAL RING (2.2237)	1
179882	BOLT, 1/2"-13X1 1/8"	8
186290	BOLT, 3/8"-16X6"	2
9427946	BOLT, 5/8"-11X6 3/4" (12.9001)	2
103341	WASHER, 3/8"	4
103343	WASHER, 1/2"	8
103345	WASHER, 5/8"	2
103323	LOCKWASHER, 1/2"	8
GASKET, FLYWHEEL HOUSING ACCESSORY HOLE COVER		
5140620	GASKET (AT #4) (1.5061)	2
COVER, FLYWHEEL HOUSING CAM GEAR HOLE		
179881	BOLT, 1/2"-13 X 1.00"	8
5138638	DOWEL, .626"X.37" HOLLOW (4.1040)	4
5139578	COVER (AT #2) (1.5061)	2
5122281	COVER (1.5030)	2
8927581	BOLT, 3/8"-16X1.135" (12.9001)	12
179884	BOLT, 1/2"-13X1 3/8"	2
5188224	BOLT, 7/16"-14X7/8" W/NYLON INSERT (12.9001)	2
9427945	BOLT, 1/2"-13 X 6.25" (12.9001)	2
5150568	WASHER, 7/16" (2.4050)	2
103343	WASHER, 1/2"	12

**DETROIT DIESEL
CUSTOM PARTS CATALOG 02/19/96
20E0200125**

PART #	NAME AND DESCRIPTION	QUANTITY
1.5000A - FLYWHEEL, HOUSING		
GASKET, FLYWHEEL HOUSING CAM GEAR HOLE COVER		
23515145	GASKET AIR COMP 53/71/92 S50/60	2
5140035	GASKET (AT #2)	2
COVER, STARTING MOTOR HOLE		
USED WHERE STARTER MOTOR IS NOT REQUIRED.		
5159938	COVER	AR
103325	LOCKWASHER, 5/8"	AR
428204	BOLT, 5/8"-11X1" (12.9001)	AR
GASKET, STARTING MOTOR HOLE COVER		
5130995	GASKET	AR
1.6000 - CONNECTING ROD AND PISTON		
CONNECTING ROD ASSY.		
QUANTITIES SHOWN ARE PER CYLINDER. A ROD ASSY. INCLUDES CAP, WHICH IS NOT SOLD SEPARATELY AND ITEMS IN 1.6001.		
23517110	ROD ASSY., CONN (W/WIDE FILLET) (USE WITH 23511829 CONN ROD BOLTS)	1
CONNECTING ROD ASSY.		
23511829	BOLT (USED W/WIDE FILLET CONN ROD 23517110)	2
5139553	NUT, CONNECTING ROD	2
R23502480	REMANUFACTURED 23502480	AR
23502480	* ROD ASSY., CROSSHEAD (23517110) (USED WITH 5139552 CONN ROD BOLTS)	1
CONNECTING ROD ASSY.		
5139552	BOLT, CONNECTING ROD	2
5139553	NUT, CONNECTING ROD	2
* NOT SERVICED. USE PART NUMBER SHOWN IN PARENTHESES.		
SHELL, CONNECTING ROD BEARING		
A SET CONSISTS OF ONE UPPER AND ONE LOWER SHELL.		
5198547	SHELL SET (STD.)	AR
5199104	SHELL SET (.002"U.S.)	AR
5199105	SHELL SET (.010"U.S.)	AR
5199106	SHELL SET (.020"U.S.)	AR
5199107	SHELL SET (.030"U.S.)	AR
RING, CROSSHEAD PISTON SEAL		
8924099	RING, SEAL	1
PISTON ASSY.		
23503033	CROWN, PISTON (14:1) (HEAT BARRIER COATED)	1
5144912	SKIRT, PISTON (W/DRAIN HOLES)	1
RING SET, PISTON		
A SET INCLUDES RINGS IN 1.6120 AND 1.6130 SUFFICIENT FOR ONE CYLINDER.		
8928932	RING SET (160MM INJECTORS AND HIGHER, EXCEPT FOR B V149 AND WHEN SULFUR CONTENT OF FUEL IS 1% OR HIGH)	AR
RING, PISTON COMPRESSION		
5148277	RING (2ND. GROOVE)	1
5148334	RING, FIRE (NARROW RING)	1
5140256	RING (3RD., 4TH. GROOVES)	2
RING, PISTON OIL CONTROL		
A RING SET INCLUDES RINGS AND EXPANDERS FOR ONE CYLINDER.		
8926909	RING SET (TURBO, NON-TURBO)	1
PIN, PISTON		
8926002	PIN, CROSSHEAD (SOLID)	1
23504149	BOLT, 1/2"-20X2.20"	2
5141126	SPACER, BOLT	2
BEARING, PISTON PIN		
8926153	BUSHING	1
RETAINER, PISTON PIN		
5101323	RETAINER	2

DETROIT DIESEL
CUSTOM PARTS CATALOG 02/19/96
20E0200125

PART #	NAME AND DESCRIPTION	QUANTITY
1.6000 - CONNECTING ROD AND PISTON		
LINER, CYLINDER		
23502356	LINER (STANDARD) (.85" PORT HT.)	1
23509951	LINER (.002" O.S., O.D.)	AR
CYLINDER INSTALLATION KIT		
A CYLINDER INSTALLATION KIT INCLUDES SEAL RING IN 1.6106, SKIRT IN 1.6110, PIN, BOLT AND SPACER IN 1.6140, BUSHING IN 1.6142, RETAINER IN 1.6150 AND LINER SEAL IN 1.6190.		
23501526	CYLINDER INSTALLATION KIT	AR
SHIM, CYLINDER LINER		
23512625	SHIM KIT (.005)	AR
23512626	SHIM KIT (.010)	AR
23512627	SHIM KIT (.025)	AR
SEAL, CYLINDER LINER		
5101198	SEAL (STANDARD) (BLACK)	2
5149395	SEAL (.010" O.S.) (RED)	AR
1.8000 - VALVE AND INJECTOR OPERATING MECHANISM		
ARM ASSY., EXHAUST VALVE ROCKER		
AN ARM ASSY. INCLUDES BUSHING IN 1.8100, VALVE PIN IN 1.8112 AND VALVE ROLLER AND BUSHING ASSY. IN 1.8113.		
8924073	ARM ASSY. (8V, 12V & 16V)	40
R8924073	REMANUFACTURED 8924073	AR
ARM ASSY., INJECTOR ROCKER		
AN ARM ASSY. INCLUDES BUSHING IN 1.8110, INJECTOR PIN IN 1.8112 AND INJECTOR ROLLER AND BUSHING ASSY. IN 1.8113.		
5138506	ARM ASSY.	20
5138518	ARM ASSY. (8V, 12V & 16V)	20
R5138518	REMANUFACTURED 5138518	AR
BALL AND SEAT ASSY., INJECTOR ROCKER ARM		
23504301	PUSH ROD, INJECTOR DDEC	20
8929607	SCREW, W/3/16" INTERNAL SOCKET END	40
5138643	BUTTON (1.8090)	40
8929494	RETAINER (1.8090)	40
5176830	NUT, 3/8"-24 JAM (1.8180)	40
BUSHING, EXHAUST VALVE ROCKER ARM-LARGE		
5138370	BUSHING	40
BUSHING, INJECTOR ROCKER ARM-LARGE		
5138644	BUSHING	20
PIN, VALVE AND INJECTOR CAM ROLLER		
5138513	PIN, VALVE	40
5138656	PIN, INJECTOR	20
ROLLER AND BUSHING ASSY., VALVE AND INJECTOR CAM		
5138651	A ROLLER AND BUSHING ASSY. (VALVE)	40
5138378	B ROLLER AND BUSHING ASSY. (INJECTOR)	20
A INCLUDES BUSHING 5138649.		
B INCLUDES BUSHING 5138376.		
SCREW, ROCKER ARM ADJUSTING		
8929607	SCREW, W/3/16" INTERNAL SOCKET END	20
5176830	NUT, 3/8"-24 JAM (1.8180)	20
SHAFT ASSY., ROCKER		
5139747	SHAFT ASSY. (W/PLUGS)	20
442734	BOLT, 1/2"-13X4" (12.9001)	40
9421745	PLUG, CUP 1/2" (12.9330)	40
VALVE, EXHAUST		
23503662	& VALVE KIT, EXHAUST ("U" IDENTIFICATION)	80
& INCLUDES 1-VALVE PLUS 1-CAP IN 1.8350 AND 2-LOCKS IN 1.8370.		
GUIDE, EXHAUST VALVE		

PART #	NAME AND DESCRIPTION	QUANTITY
1.8000 - VALVE AND INJECTOR OPERATING MECHANISM		
23506925 + GUIDE		80
+ NOT SERVICED, USE 8929072 SEAL AND 23515391 GUIDE.		
INSERT, EXHAUST VALVE		
5139982 INSERT		80
KIT, EXHAUST VALVE INSERT		
8924798 KIT, INSERT-.010" O.D. OVERSIZED		AR
SPRING, EXHAUST VALVE		
23512119 SPRING		80
BRIDGE, EXHAUST VALVE		
23502349 BRIDGE		40
CAP, EXHAUST VALVE SPRING		
23512487 CAP, VALVE SPRING		80
SEAT, EXHAUST VALVE SPRING		
23513013 SEAT VALVE SPRING .060 - .070 THK V149		80
LOCK, EXHAUST VALVE SPRING		
8929573 LOCK, KEY EXHAUST VALVE SPRING		160
1.8000A - ROCKER COVER		
COVER ASSY., ROCKER		
23507318 COVER (WITH OUT BREATHER)		2
23507319 COVER (WITH BREATHER HOLE)		4
23507322 BRACKET		20
23512281 PIN ASSY.		12
456299 PIN, 1/4"X1" SPRING		2
23509575 KIT, ROCKER COVER THROT. DELAY		AR
23509573 KIT, RETROFIT (12V)		AR
GASKET, ROCKER COVER		
23508779 GASKET		2
23508780 GASKET		4
BOLT, ROCKER COVER		
179867 BOLT, 7/16"-14X2 1/4"		20
5104015 BOLT, 3/8"-16X6.5"		20
103342 WASHER, 7/16"		20
5104514 WASHER, 3/8"		20
ISOLATOR, ROCKER COVER		
8929255 ISOLATOR		20

DETROIT DIESEL
CUSTOM PARTS CATALOG 02/19/96
20E0200125

PART #	NAME AND DESCRIPTION	QUANTITY
2.1000A - FUEL INJECTOR		
INJECTOR ASSY.		
QUANTITIES SHOWN ARE PER CYLINDER (INCLUDES ITEMS IN 2.1020 THRU 2.1257.)		
R5235558	INJECTOR (DDEC REMANUFACTURED)	1
COMPONENTS OF ELECTRONIC UNIT INJECTORS ARE NOT SERVICED SEPARATELY.		
SERVICE KIT, INJECTOR		
SERVICE KIT OVERHAUL KIT CONSISTS OF 1-5228003 INJECTOR SEAL RING IN 2		
.1040, 2-5228905 INJECTOR FILTER ELEMENT IN 2.1110, 2-5226186 INJECTOR FILTER CAP GASKET IN 2.1140 AND 2-5228317 INJECTOR SHIPPING CAPS IN 2.1150.		
5226812	A KIT, SPRING SEAT (W/O CAGE)	AR
A INCLUDES 5227449 SPRING SEAT, 5234981 SPRING, 5229629 SEAL, 5228003 NUT SEAL RING, AND 5234977 SHIM.		
CLAMP, INJECTOR		
23502998	CLAMP, INJECTOR ELECTRONIC	1
179871	BOLT, 7/16"-14X3 1/4"	1
5173811	WASHER, 7/16"	1
2.1000B - INJECTOR CONTROLS ELECTRONIC		
MODULE ASSY., ELECTRONIC CONTROL		
R23516923	REMANUFACTURED 23516923	3
23513607	COVER COMMUNICATION PROTECTION DDEC III	1
23515399	COVER COMM. PROTECTION W/RES.DDECIII	2
23512307	ISOLATOR, ECM MOUNT (DDEC II)	24
BRACKET ASSY., ELECTRONIC CONTROL MODULE MOUNTING		
23514936	EXTENSION, ECM MTG BRACKET	4
8927582	BOLT, 3/8"-16X1.255" (12.9001)	6
PLATE ASSY., ELECTRONIC DISTRIBUTOR UNIT COLD		
23513877	EL ASM 90DEG ADJ 9/16-18 STGT FLARE	3
23514201	BLOCK	3
23514656	BOLT, M6X1.00X30.00	6
23516523	CONN ASM. 9/16-18 X 1.332 STGT	3
23516935	PLATE ASM COLD ECM END MT DDEC III	3
PLATE ASSY., ELECTRONIC DISTRIBUTOR UNIT		
23503565	PLATE, RETAINER	1
23504641	SEAL, FUEL FITTING BLOCK	2
23514201	BLOCK	1
23514656	BOLT, M6X1.00X30.00	2
23503565	PLATE, RETAINER	3
23504756	BLOCK	3
23504640	FITTING, BLOCK END PLATE	3
8925609	CONNECTOR, 5/16" INV. FL. TUBE (12.9460)	6
23504641	SEAL, FUEL FITTING BLOCK	6
137398	NUT, 5/16" INV. FL. TUBE	6
SENSOR, OIL PRESSURE		
23511176	SENSOR, OIL/FUEL PRESSURE	4
SENSOR, MAG. IDLER		
23515236	SENSOR ASM SRS TOP SEAL RING LOC	1
SENSOR, OIL FUEL OR COOLANT		
25036693	SENSOR ASSY., OIL WAT, FUEL & AIR TEMP	5
8925325	BUSHING PIPE RED 3/8 PTF 1/4 ZINC	3
8928669	TEE, 3/8" TUBEX1/4"X1/4" (2.1630)	2
SENSOR, AIR PRESSURE		
23514740	SCREW 10-32 X 1.25	6
23514741	LOCKNUT	6
16070629	SENSOR, DDEC 2 & 3	3
8927116	HOSE, .25"X12" L.	3
5189292	FITTING, MALE .25" HOSE 1/4-18 (5.7100)	3
8924378	BUSHING PIPE RED 3/4 X 1/4	3
8928651	CLAMP, HOSE 1/4" (12.9660)	3
120391	WASHER, #10	6
BRACKET, COMPRESSOR SENSOR		
23514710	BRACKET COMPRESSOR PRESS SENS DDEC	3

DETROIT DIESEL 105730
CUSTOM PARTS CATALOG 02/19/96
20E0200125

PART #	NAME AND DESCRIPTION	QUANTITY
2.1000B - INJECTOR CONTROLS ELECTRONIC		
HARNES, ELECTRONIC DISTRIBUTOR UNIT TO INJECTOR		
23515119	HARNES, INJ RBC DDEC III	1
23515120	HARNES, INJ LBC DDEC III	1
23511775	HARNES INJECTOR WIRING RBR.	2
23511776	HARNES INJECTOR WIRING LBR.	2
5163538	CLIP, 3/16" TUBE (7.8320)	6
2488022	CLIP, 3/8" BOLT (12.8554)	12
5101020	STRAP, NYLON (2.5255)	40
186289	BOLT, 3/8"-16 X 5.00"	2
186625	BOLT, 5/16"-18X7/8"	8
5104089	BOLT, 1/4"-20X1/2" (W/SEAL PATCH) (12.9001)	12
120393	WASHER, 5/16"	8
HARNES, ENGINE SENSORS TO ECM		
23515121	HARNES, WRG SENSOR DDEC III	1
HARNES, POWER INTERFACE		
23515220	HARNES, WRG INTERFACE DDED III	1
23515247	HARNES, WRG POWER DDED III	1
BRACKET, WIRING HARNES		
23515310	BRACKET POWER HARNES CONN.MTG.	1
5114541	BRACKET (7.1585)	1
5146788	CLIP, 5/8" HOSE (2.5070)	1
8927583	BOLT, 3/8"-16X1.38" (12.9001)	2
179839	BOLT, 3/8"-16 X 1"	1
103341	WASHER, 3/8"	1
103321	LOCKWASHER, 3/8"	1
102635	NUT, 3/8"-16	1
2.2000 - FUEL PUMP		
PUMP ASSY., FUEL		
ASSEMBLIES IN THIS SECTION MAY HAVE REMANUFACTURED EQUIVALENTS-REFER TO SECTION 12.8000. A PUMP ASSY. INCLUDES ITEMS IN 2.2010 THRU 2.2180.		
R23506221	REMANUFACTURED 23506221	AR
23506221	PUMP ASSY.	1
BODY, FUEL PUMP		
23513021	STATOR, FUEL PUMP	1
23513024	KIT, STATOR	AR
PIN, ALIGNMENT		
23500694	PIN, ALIGNMENT	2
COVER, FUEL PUMP		
23513826	COVER, FUEL PUMP	1
23513830	KIT, FUEL PUMP COVER	AR
23506561	PLUG	1
8923533	BOLT, 1/4"-20X2"L. (W/LW) (12.9005)	8
GASKET, FUEL PUMP COVER		
23506547	GASKET, GOLD	1
23506548	GASKET, SILVER	1
BEARING, FUEL PUMP		
8923526	BEARING, FUEL PUMP	4
SEAL, FUEL PUMP OIL		
23512243	SEAL, OIL SGL LIP	2
GEAR, FUEL PUMP DRIVE		
23513828	GEAR, GC (1.00)	1
8923522	RING, GEAR RETAINING	2
8923523	KEY, FUEL PUMP DRV. GEAR	1
GEAR, FUEL PUMP DRIVEN		
23513828	GEAR, GC (1.00)	1
SHAFT, FUEL PUMP DRIVEN		
23513829	SHAFT	1
SHAFT, FUEL PUMP DRIVE		
23513827	SHAFT, DRIVE	1
VALVE ASSY, FUEL PUMP		
8923528	VALVE, FUEL PUMP	1
23511552	PIN, SHEAR RELIEF VALVE	1
23513023	KIT, RELIEF VALVE	AR
SPRING, FUEL PUMP VALVE RETAINING		
23511550	SPRING RELIEF VALVE	1
PLUG, FUEL PUMP VALVE		
23511551	CAP, RELIEF VALVE	1

DETROIT DIESEL
CUSTOM PARTS CATALOG 02/19/96
20E0200125

PART #	NAME AND DESCRIPTION	QUANTITY
2.2000 - FUEL PUMP		
GASKET, FUEL PUMP VALVE PLUG		
8923530	GASKET	1
8924380	PLUG, 1/8"-27 PIPE (12.9550)	1
8925603	BOLT, 5/16"-18X3/4" (W/SEAL) (12.9001).	3
GASKET, FUEL PUMP TO ENGINE		
5150193	GASKET (FUEL PUMP TO DRIVE ASSY.) (5.1010)	1
FORK, FUEL PUMP COUPLING		
8921934	FORK	1
DISC, FUEL PUMP DRIVE		
5141057	DISC (INCLUDES 5139242 SPACER) (3.2260)	1
9409036	BOLT, 3/8"-24 X 1.125" (12.9001)	1
PLATE, FUEL PUMP MOUNTING		
23511881	ADAPTOR	1
8927581	BOLT, 3/8"-16X1.135" (12.9001)	4
GASKET, FUEL PUMP MOUNTING PLATE		
23511917	SEAL RING (2.2237)	1
2.4000 - FUEL MANIFOLD AND/OR CONNECTIONS		
MANIFOLD, FUEL-LOWER		
23504351	MANIFOLD (16V)	2
23504410	MANIFOLD (6 & 12V)	2
8923847	PLUG, PIPE 1/4-18" NPTF	4
8924517	PLUG, 3/8"-18 SQ. SOC. VIBRA SEAL (12.9550)	2
8924150	ELBOW, 1/2"-90 DEG. FL. TUBE; 3/8" PIPE (12.9390)	2
8924168	ELBOW, 90 DEG. STREET, 1/4" PIPE (12.9590)	2
179847	BOLT, 3/8"-16X1/2"	40
103341	WASHER, 3/8"	40
GASKET, FUEL MANIFOLD		
5147430	GASKET	20
TUBE, FUEL CROSSOVER		
5141321	TUBE (3/8")	4
5109612	TUBE (1/2") (4.6030)	4
8925093	* CONNECTOR ASSY., 3/8" TUBE; 1/4" PIPE (12.9415)	4
8925094	* CONNECTOR ASSY. 1/2" TUBE SEALASTIC (12.9415)	4
8924169	CONNECTOR, 1/2" INV. FL. TUBE; 3/8" PIPE (12.9460)	2
8924171	CONNECTOR, 3/8" INV. FL. TUBE (12.9460)	4
8929833	CONNECTOR, 3/8" INV. FL. TUBE; 5/8" PIPE (12.9460)	2
137399	NUT, 3/8" INV. FL. TUBE	4
137401	NUT, 1/2" INV. TUBE	4
* INCLUDES SEAL RING IN 2.4015 PLUS NUT NOT SOLD SEPARATELY		
PIPE, FUEL		
23504384	TUBE ASSY. (INLET)	20
23504383	TUBE ASSY. (OUTLET)	20
23506225	CLIP (1/4" TUBE X 5/16" BOLT)	40
179816	BOLT, 5/16"-18 X .75"	40
120393	WASHER, 5/16"	40
103320	LOCKWASHER, 5/16"	40
CONNECTOR, FUEL PIPE		
23504349	CONNECTOR	40
23504350	SEAL RING, .414" I.D.X.072"	40
23504352	RING SEAL, .070"X.301" I.D.	80

**DETROIT DIESEL 108700
CUSTOM PARTS CATALOG 02/19/96
20E0200125**

PART #	NAME AND DESCRIPTION	QUANTITY
3.3000A - AIR INLET HOUSING		
HOUSING, AIR INLET		
8927584	BOLT, 3/8"-16X1.515" HEX. HD. (12.9001)	24
8921065	HOUSING, 12V & 16V	6
8923847	PLUG, PIPE 1/4-18" NPTF	3
103341	WASHER, 3/8"	24
ADAPTOR, AIR INLET HOUSING		
8927585	BOLT, 3/8"-16X1-3/4"	44
23502318	ADAPTOR, 12V	2
23502319	ADAPTOR	1
103341	WASHER, 3/8"	44
GASKET, AIR INLET HOUSING		
23509405	GASKET	6
23511896	RING SEAL (ORANGE STRIPE)	2
23511897	RING SEAL (ORANGE STRIPE)	1
3.4000 - BLOWER AND DRIVE		
BLOWER ASSY.		
ASSEMBLIES IN THIS SECTION MAY HAVE REMANUFACTURED EQUIVALENTS-REFER TO SECTION 12.8000. A BASIC BLOWER ASSY. INCLUDES ITEMS IN 3.4020 AND 3.4030 THRU 3.4090 AND 3.4140 THRU 3.4160 EXCEPT ITEMS IN 3.4143.		
8927935	⊗ BLOWER ASSY. (16V REAR) (8927897)	1
8927933	⊗ BLOWER ASSY. (12V REAR) (8927898)	1
8927934	⊗ BLOWER ASSY. (12V FRT.) (8927896)	1
5144464	BOLT, 9/16"-12X10"	12
5144465	WASHER, .59" I.D. X 1.09" O.D. X .220"	12
⊗ NOT SERVICED, USE BASIC BLOWER ASSEMBLY SHOWN IN PARENTHESES FOR FRONT OR REAR REPLACEMENT.		
BLOWER KIT, REPAIR		
A BLOWER REPAIR KIT CONSISTS OF BEARINGS IN 3.4040 AND 3.4060, LOCKWASHERS IN 3.4080, SHIMS IN 3.4090, PLATES IN 3.4135, PLUS ITEMS IN 3.4158, 3.4159, 3.4160 AND 3.4190.		
23509236	BLOWER KIT (8V, 12V, 16V)	AR
HOUSING, BLOWER		
5139956	HOUSING	2
5139957	HOUSING	1
SCREEN, BLOWER		
5141256	SCREEN (GASKET), 12V (3.4025)	2
5187576	GASKET (SCREEN), 16V (3.4025)	1
ROTOR, BLOWER IMPELLER		
ASSEMBLIES INCLUDE SHAFTS AND PIN NOT SOLD SEPARATELY PLUS PLUGS IN 3.4030.		
5139372	ROTOR ASM., L.H. HELIX	1
5139371	ROTOR ASM., R.H. HELIX	2
5139168	ROTOR ASM., R.H. HELIX	1
8923886	ROTOR ASM., L.H. HELIX	1
8924051	ROTOR ASM., L.H. HELIX	1
5106459	PLUG, 1.649" CUP (1.1001)	36
BEARING, BLOWER ROTOR FRONT		
23503627	BEARING, ROLLER (SGL. ROW)	6
5139264	SPACER (INNER RACE)	1
5138965	NUT, 1 5/16"-18 (3.4080)	1
RETAINER, BLOWER ROTOR FRONT BEARING		
23504649	RETAINER	6
8927916	BOLT, 5/16"-18X3/4" SELF LOCKING (12.9117)	36
BEARING, BLOWER ROTOR REAR		
23504210	BEARING, BALL (DBL. ROW)	6
RETAINER, BLOWER ROTOR REAR BEARING		
5139519	RETAINER (3.4050)	6
GEAR SET, BLOWER ROTOR		
A GEAR SET CONSISTS OF A L.H. AND A R.H. GEAR WHICH ARE NOT SERVICED SEPARATELY.		

DETROIT DIESEL
CUSTOM PARTS CATALOG 02/19/96
20E0200125

PART #	NAME AND DESCRIPTION	QUANTITY
3.4000 - BLOWER AND DRIVE		
5199505	GEAR SET	2
5138965	NUT, 1 5/16"-18 (3.4080)	8
5139588	LOCKWASHER, 1.39" I.D. X1.750"	6
SHIM, BLOWER ROTOR GEAR		
5139370	SHIM, .002"	AR
5139368	SHIM, .010"	AR
5139369	SHIM, .005"	AR
HUB, BLOWER ROTOR GEAR		
8921059	HUB (PINK STRIPE)	10
5139588	LOCKWASHER, 1.39" I.D. X1.750"	4
8921058	HUB (TO ROTOR SHAFT)	4
5138965	NUT, 1 5/16"-18 (3.4080)	4
PLATE, BLOWER ROTOR GEAR HUB		
5138964	PLATE, FLEX. (3.4135)	24
5140817	BOLT, 7/16"-20X.88" LOCK (3.4135)	54
8923898	PLATE, SPRING (3.4135)	3
PLATE, BLOWER HOUSING END		
A PLATE ASSY. INCLUDES PIN, SLEEVE, AND STRAINER IN 3.4140.		
8927837	PLATE ASSY. (REAR)	3
8927915	PLATE ASSY. (FRONT)	3
5109389	STRAINER, OIL	6
6772832	PIN, 1/2" X15/16" DOWEL (8.3230)	12
5144463	SLEEVE, GUIDE	6
5107978	SHIM, SALVAGE	AR
SEAL, OIL SUPPLY AND RETURN		
5116290	SEAL RING, .440" X.121" (SUPPLY) (1.2020)	6
5141452	SEAL, RING (3.4143)	6
SEAL, BLOWER HOUSING END PLATE		
A SEAL KIT INCLUDES 4-SEALS AND 4-WEAR SLEEVES REQUIRED FOR ONE BLOWER.		
23509313	SEAL KIT	3
COVER, BLOWER HOUSING END PLATE		
A COVER ASSY. INCLUDES PLUGS IN 3.4180 AND RESTRICTED PLUG.		
8923891	COVER ASSY.	4
8924380	PLUG, 1/8"-27 PIPE (12.9550)	24
5148434	PLUG, .040" REST DRIVE	16
5132905	STUD, 3/8"-16-24X3.84" (3.4020)	1
186282	BOLT, 3/8"-16X3 1/4"	40
103321	LOCKWASHER, 3/8"	31
103341	WASHER, 3/8"	40
GASKET, BLOWER HOUSING END PLATE COVER		
23506090	GASKET (3.4190)	4
TUBE, BLOWER OIL SUPPLY		
8927835	TUBE, DEV. L. 11.46"	3
8927913	CLIP, 1/4" TUBE	3
8927916	BOLT, 5/16"-18X3/4" SELF LOCKING (12.9117)	3
120393	WASHER, 5/16"	3
COVER, BLOWER DRIVE		
5139161	COVER, 3.30" L.	4
5139206	COVER, 5.80" L., 16V149	4
23506601	HOSE, 2.88" I.D. X1.75" L.	2
103320	LOCKWASHER, 5/16"	3
5144767	CLAMP	4
8923890	CLIP, RETAINING	3
186618	BOLT, 5/16"-18X5/8"	3
SEAL, BLOWER DRIVE COVER		
5139480	SEAL RING, 2.30" I.D.	30
3.4000A - BLOWER DRIVE SHAFT		
SHAFT, BLOWER DRIVE		
5139232	SHAFT (REAR) (8.10"L.) (12V)	2

DETROIT DIESEL
CUSTOM PARTS CATALOG 02/19/96
20E0200125

PART #	NAME AND DESCRIPTION	QUANTITY
3.4000A - BLOWER DRIVE SHAFT		
23505534	SHAFT, (20V)	4
RING, BLOWER DRIVE SHAFT		
9424789	RING (REAR)	2
274903	RING (CENTER)	8
3.5000A - TURBOCHARGER, INTERCOOLER AND AFTERCOOLER		
TURBOCHARGER		
SEE ASSEMBLY BREAKDOWN AS INDICATED BELOW.		
R23507253	REMANUFACTURED 23507253	AR
R23514798	REMANUFACTURED 23514798	AR
23514798	TURB ASM TV7310 1.08A/R 23514798 V149	4
HOUSING, TURBOCHARGER TURBINE		
23505492	CLAMP (VEE BAND)	1
23514797	HOUSING COMP TURBINE TV7310 441881-18	1
HOUSING ASSY., TURBOCHARGER INTERMEDIATE		
A HOUSING ASSY. INCLUDES ITEMS IN 3.5018, 3.5027 THRU 3.5036.		
173639	SCREW, DRIVE .073"X1/4"	2
23513793	HOUSING & ROTATING ASSY.	1
HOUSING, TURBOCHARGER COMPRESSOR		
23505493	CLAMP (VEE BAND)	1
23514746	HOUSING COMP TURB TV7310 444423-34	1
5149163	LOCKNUT, 1/4"-28	2
23507253	TURBOCHARGER ASSY., 8V, 16V-1.23 A/R (TV8403)	2
HOUSING, TURBOCHARGER TURBINE		
23503673	HOUSING	1
HOUSING ASSY., TURBOCHARGER INTERMEDIATE		
A HOUSING ASSY. INCLUDES ITEMS IN 3.5018, 3.5027 THRU 3.5036.		
23507255	HOUSING & ROTATING ASSY.	1
8925742	HOUSING	1
8925757	SHROUD, WHEEL	1
8928658	BACKPLATE ASSY.	1
5198936	RING, SEAL	1
8925748	BEARING, THRUST (OUTBOARD)	1
173639	SCREW, DRIVE .073"X1/4"	2
23503754	SCREW, M4X10.0 MM	3
8925750	BOLT, 1/4"-20X1"	4
HOUSING, TURBOCHARGER COMPRESSOR		
23504469	HOUSING	1
23505492	CLAMP (VEE BAND)	1
23505493	CLAMP (VEE BAND)	1
5149163	LOCKNUT, 1/4"-28	2
BEARING, ROTOR ASSY. SHAFT		
8925744	BEARING	2
5198988	SPACER, .665"X.975"X.18	2
5198049	RING, SNAP	3
SEAL, ROTOR ASSY. SHAFT OIL		
5149154	RING, SEAL (PISTON RING TYPE)	1
5197583	RING, SEAL (PISTON RING TYPE)	2
SHAFT ASSY., TURBOCHARGER ROTOR		
23503793	SHAFT ASSY. (INCLUDES INTEGRAL WHEEL)	1
COLLAR, TURBOCHARGER ROTOR THRUST		
8925751	COLLAR	1
SPACER, TURBOCHARGER ROTOR THRUST		
8925749	SPACER	1
WHEEL, TURBOCHARGER COMPRESSOR		
23507254	WHEEL, (HIPPED/FILTERED)	1
8925752	NUT, LOCK 3/8"-24	1
9409040	BOLT, 3/8"-24X2" LOCK (RIGHT ROTOR) (1.7630)	24
5131433	WASHER, .41"X.81"X.1345" (1.5001)	24
9411981	NUT, 3/8"-24 LOCK (12.9120)	24
GASKET, TURBOCHARGER EXHAUST INLET CONNECTION		
23512254	GASKET, (ADAPTOR TO TURBOCHARGER)	6
ADAPTOR, TURBOCHARGER EXHAUST OUTLET		
8921285	ADAPTOR, 10"	2
23511644	ELBOW, 8"	2
GASKET, TURBOCHARGER EXHAUST OUTLET		
23514042	RING SEAL STEP JOINT TURB EXH OTLT149	4

DETROIT DIESEL
CUSTOM PARTS CATALOG 02/19/96
20E0200125

PART #	NAME AND DESCRIPTION	QUANTITY
3.5000A - TURBOCHARGER, INTERCOOLER AND AFTERCOOLER		
BRACKET, TURBOCHARGER EXHAUST OUTLET ADAPTOR		
5141434	BRACKET	6
23511489	SUPPORT, (RB)	1
23511491	SUPPORT, (LB)	1
23511582	CLAMP	4
8927578	BOLT, 3/8"-16X.755" (12.9001)	24
ELBOW, TURBOCHARGER AIR OUTLET		
23502314	TUBE (LB FRONT AND RB REAR) (HI MT)	1
23502340	TUBE (FRONT AND REAR) (HI MT)	2
23502341	TUBE (FRONT AND REAR) (HI MT)	2
23502315	TUBE (RB FRONT AND LB REAR) (HI MT)	1
HOSE, TURBOCHARGER AIR OUTLET CONNECTION		
23516808	CLAMP T-BOLT HOSE 3.69 MIN ADJ	24
23516996	HOSE FIBERGLASS 3.5 X 3.75 LG BLUE	12
INTERCOOLER, TURBOCHARGER		
SEE ASSEMBLY BREAKDOWN PAGE IF INDICATED BELOW. INTERCOOLER KITS INCLUDE A RAMID FIBER CORE PADS, GASKETS, SEAL RINGS, COOLANT INLET AND OUTLET TUBES REQUIRED FOR A COMPLETE INTERCOOLER OVERHAUL.		
188292	BOLT, 7/16"-14X4 1/4"	8
5131913	WASHER, 13/16"X29/64"X5/32" (3.4001)	8
103322	LOCKWASHER, 7/16"	8
TUBE, INTERCOOLER WATER SUPPLY		
5127284	CLAMP	2
218610	TEE, 1 1/2"X1 1/2"X1-3WAY	1
23506156	NIPPLE, 1"X1" NPTF PIPE	1
CLIP, INTERCOOLER WATER SUPPLY		
5166565	BRACKET (9.1591)	1
5141723	CLIP, 1 1/2" TUBE, 3/8" BOLT (4.1522)	1
181361	BOLT, 3/8"-24X7/8"	1
103341	WASHER, 3/8"	1
103026	NUT, 3/8"-24	2
103321	LOCKWASHER, 3/8"	1
TUBE, TURBOCHARGER OIL SUPPLY		
5143515	TUBE ASSY. (RB FRONT, LB REAR) (DEV. L. 29.26")	2
5143514	TUBE ASSY. (LB FRONT, RB REAR) (DEV. L. 32.30")	3
8927540	TUBE ASSY. (RB, LB REAR) (DEV. L. 46.07")	1
5102110	HOSE, FLEX. #6 X 23.75"L.	6
8924217	ELBOW, 3/8" 90 DEG. INV. FL. TUBE (12.9480)	3
8925030	ELBOW, 90 DEG. 3/8" INV. FL. TUBE (12.9480)	1
9410280	ELBOW, 3/8" INV. FL. TUBE 90 DEG. SWIVEL (12.9480)	6
442338	UNION, 3/8" INV. FL. TUBE (12.9475)	6
8925005	CONNECTOR, 37 DEG. FLD.-3/8" TUBE 1/4"-18 NPTF (12	5
23512666	TEE	1
CLIP, TURBOCHARGER OIL SUPPLY TUBE		
102635	NUT, 3/8"-16	1
103321	LOCKWASHER, 3/8"	1
5144934	CLIP, .438" DIA. 3/8" BOLT	1
5182359	BRACKET	1
8927580	BOLT 3/8"-16X1.015" (12.9001)	1
5145994	CLIP, 3/8" TUBE X 1/2" BOLT	14
5112241	CLIP (2.5070)	4
132908	SCREW, #10-32X1/2" RD. HD. SL.	2
5109393	BRACKET, CLIP (7.1587)	8
8925519	BOLT, 1/4"-28X.62" (12.9001)	4
120217	LOCKWASHER, #10	2
120614	NUT, #10-32	2
120367	NUT, 1/4"-28	4
TUBE, TURBOCHARGER OIL RETURN		
8927532	NS TUBE ASSY. (RB FRONT, LB REAR)	2
TUBE, TUROBCHARGER OIL RETURN		
5142070	FLANGE	1
8927533	NS TUBE ASSY. (RB REAR, LB FRONT)	2
TUBE, TUROBCHARGER OIL RETURN		
5142070	FLANGE	1

35-12

DETROIT DIESEL
CUSTOM PARTS CATALOG 02/19/96
20E0200125

PART #	NAME AND DESCRIPTION	QUANTITY
3.5000A - TURBOCHARGER, INTERCOOLER AND AFTERCOOLER		
8925227 NS	TUBE ASSY. (ELBOW)	2
	TUBE, TURBOCHARGER OIL RETURN	
5139997	PLUG, 7/8" CUP (1.2001)	1
23512665	TUBE ASSY.	1
8926828	TUBE ASSY. (LB REAR) (DEV. L. 23.75")	1
	TUBE, TURBOCHARGER OIL RETURN	
5142070	FLANGE	1
23514308	HOSE ASM .875"X 4"LG TURBDRN SLV	6
5139997	PLUG, 7/8" CUP (1.2001)	1
5141839	GASKET (ELBOW)	5
5170468	GASKET	6
23514625	CLAMP HOSE 15MMX17MM I.D. (ROTOR CLIP)	8
8925583	BOLT, 3/8"-16X2 1/2" (W/SEAL PATCH)	8
8927579	BOLT, 3/8"-16X.88" (W/SEAL PATCH) (12.9001)	12
23516623	TUB&FLGASM 22.68LG TURB OILDRN W/BEAD	2
	TUBE, TURBOCHARGER OIL RETURN	
5142070	FLANGE	1
23516625	TUB&FLG ASM 19.85LG TURBOILDRN W/BEAD	2
	TUBE, TURBOCHARGER OIL RETURN	
5142070	FLANGE	1
23516631	ELBOW ASM TURB DRN TO BLK 1TUB W/BEAD	2
23516632	ELBOW ASM TURB OIL DRN 8V149 1TUB	2
	TUBE, TURBOCHARGER OIL RETURN	
5139997	PLUG, 7/8" CUP (1.2001)	1
	CLIP, TURBOCHARGER OIL RETURN TUBE	
5187661	CLIP, 1 1/4" (4.8183)	1
	ADAPTOR ASSY., BLOWER BYPASS	
23503186	@ ADAPTOR ASSY. (12V)	2
23503185	@ ADAPTOR ASSY. (16V)	1
179867	* BOLT, 7/16"-14X2 1/4"	20
191249	& BOLT, 3/8"-16X3 3/4" (12.9001)	15
5108436	WASHER, 7/16" (7.1598)	20
9414322	# WASHER, 3/8"X.738"X.63 (12.9190)	15
103322	* LOCKWASHER, 7/16"	20
	@ AN ADAPTOR ASSY. INCLUDES ADAPTOR IN 3.5755, PLUS ITEMS IN 3.5756, 3.5764, BYPASS VALVE IN 3.5770, 3.5772 AND 3.5773.	
	* BLOWER BYPASS ADAPTOR TO BLOWER.	
	& BLOWER BYPASS ADAPTOR TO AIR BOX PLATE.	
	# USE IN EXTRA HOLES IN TOP COVER PLATE.	
	ADAPTOR, BLOWER BYPASS	
23502320	ADAPTOR (12V)	1
23502321	ADAPTOR	1
	COVER, BLOWER BYPASS ADAPTOR	
23502323	COVER	2
23504839	BOLT, 3/8"-16X3.135" (12.9001)	8
	GASKET, BLOWER BYPASS ADAPTOR COVER	
23502322	GASKET	2
	VALVE, BLOWER BYPASS	
23502325	VALVE, BYPASS	2
23502344	VALVE, REGULATOR	1
	SEAL, BLOWER BYPASS VALVE	
23502326	SEAL	4
	SPRING, BLOWER BYPASS VALVE	
23502324	SPRING	2
	RING, SEAL BLOWER BYPASS ADAPTOR	
23508398	RING, SEAL (8V, 16V) (WHITE STRIPE)	1
23507956	RING, SEAL (12V) (YELLOW STRIPE)	2
	HOSE ASSY., AIR PRESSURE SENSING	
5133162	HOSE ASSY., #4X9" L. (12.4065)	4
5131146	HOSE ASSY., #4X25" L. (R. BANK) (12.4065)	2
8924149	ELBOW, 90 DEG. 1/4" FLARED TUBE 1/8"NPTF (12.9480)	2
8924145	CONNECTOR, 1/4" TUBE - 90 DEG.	2

DETROIT DIESEL
CUSTOM PARTS CATALOG 02/19/96
20E0200125

PART #	NAME AND DESCRIPTION	QUANTITY
3.5000A - TURBOCHARGER, INTERCOOLER AND AFTERCOOLER		
8924146	ELBOW, 90 DEG. 1/4" FLARED TUBE, 1/4"NPTF	5
5151108	CLIP, 1/2" TUBE, 1/2" BOLT (12.4095)	2
8924142	BUSHING, 1/4"X1/8" RED. (12.9570)	1
8924178	TEE, 1/4"-18	2
8925720	BUSHING, 1/2"X1/4" RED. PIPE (12.9570)	2
BRACKET, BLOWER BYPASS AIR REGULATOR VALVE		
23514174	BRACKET AIR VALVE SUPPORT V149	1
454894	BOLT, 1/4"-20X3/4" CAD. PLATED (12.9001)	2
103319	LOCKWASHER, 1/4"	2
120375	NUT, 1/4"-20	2
3.7000 - INTERCOOLER/AFTERCOOLER		
INTERCOOLER ASSY.		
23516518	SEAL KIT, LARGE INTERCOOLER	AR
23502333	INTERCOOLER ASSY. (12V)	2
23502334	INTERCOOLER ASSY. (8V, 16V)	1
23511896	RING SEAL (ORANGE STRIPE)	2
23511897	RING SEAL (ORANGE STRIPE)	1
186679	BOLT, 3/8"-16X1 1/4"	57
103341	WASHER, 3/8"	60
103321	LOCKWASHER, 3/8"	60
ADAPTOR, WATER PUMP DRIVE		
23512219	ADAPTOR ASSY.	1
ADAPTOR, HOUSING WATER PUMP		
23512215	ADAPTOR, HOUSING	1
SHAFT, WATER PUMP		
23512217	SHAFT	1
BEARING WATER PUMP		
23503649	BEARING	1
23503687	BEARING	1
274746	LOCKRING (5.4235)	1
COUPLING, WATER PUMP DRIVE		
5150185	COUPLING (PUMP END)	1
GEAR, WATER PUMP DRIVE		
23512216	GEAR, WATER PUMP RH HELIX	1
ADAPTOR, HOUSING WATER PUMP		
23512215	ADAPTOR, HOUSING	1
8927583	BOLT, 3/8"-16X1.38" (12.9001)	6
GASKET, HOUSING ADAPTOR		
5139583	GASKET	1
SHAFT, WATER PUMP		
23512217	SHAFT	1
BEARING, WATER PUMP		
23503687	BEARING	1
23503649	BEARING	1
274746	LOCKRING (5.4235)	1
COUPLING, WATER PUMP DRIVE		
5150185	COUPLING (PUMP END)	1
5114011	THROWER	1
COVER, WATER PUMP INLET		
8925650	SEAL RING, 1.16"X.18"	1
23513016	COVER	1
23513699	BOLT, 1/4"-20 X 2.5"	1
8921930	BOLT, 1/4"-20X.75" (W/SEAL PATCH) (12.9001)	3
5179709	WASHER, 1/4" (COPPER) (2.7175)	1
GEAR, WATER PUMP DRIVE		
23512216	GEAR, WATER PUMP RH HELIX	1
TUBE, WATER PUMP INLET		
23501800	CLAMP, 2 1/4"-3 1/8" CLAMPING RANGE (12.9660)	2
23503675	HOSE, 2 1/2"X2 3/4" L.	1
23513394	TUBE ASSY.	1

DETROIT DIESEL
CUSTOM PARTS CATALOG 02/19/96
20E0200125

PART #	NAME AND DESCRIPTION	QUANTITY
3.7000 - INTERCOOLER/AFTERCOOLER		
179857	BOLT, 7/16"-14X7/8"	1
103322	LOCKWASHER, 7/16"	1
TUBE, WATER PUMP OUTLET		
186290	BOLT, 3/8"-16X6"	1
23516451	TUBE WATER PUMP OUTLET	1
5118351	CLIP, 2"	1
5177469	SPACER	1
TUBE CONN. ASSY. WATER INLET/OUTLET		
23514342	TUBE & CONN ASSY., WATER INLET/OUTLET	1
23514343	TUBE & CONN ASSY., WATER INLET/OUTLET	1
23514564	TUBE & CONN ASSY., WATER OUTLET	1
23514573	TUBE & CONN ASSY., WATER INLET/OUTLET	1
5117186	PLUG, 2" CUP (1.2001)	1
5157412	SPACER, 7/8"X13/32"X1/4"	4
TUBE, INTERCOOLER WATER OUTLET		
23514295	TUBE ASSY., INTERCOOLER OUTLET	1
TUBE FLARED EXTENSION		
23514471	TUBE FLARED EXTENSION	1
23514472	TUBE FLARED EXTENSION	1
TUBE OUTLET EXTENSION		
23514475	TUBE OUTLET EXTENSION	1
BRACKET, WATER PUMP COVER		
23513832	BRACKET	1
23513833	CLAMP ASSY.	1
271557	BOLT, 5/8"-11X1 3/8" (12.9001)	2
103345	WASHER, 5/8"	2
103325	LOCKWASHER, 5/8"	2
COUPLING, TUBE		
100158	BOLT, 1/2"-13X1"	1
103323	LOCKWASHER, 1/2"	1
23513480	COUPLING ASSY.	1
COUPLING, TUBE		
23513715	GASKET	1
23513719	RETAINER	1
23513723	COUPLING 1.66 O.D.	1
23513722	COUPLING	4
23514572	COUPLING ASSY., 2.25 OD TUBE FLEXMASTER	4
23514575	BRACKET TUBE SUPPORT	2
23517826	TUBE FLARED EXTENSION	1
8923916	PLUG, 1/2" PIPE (12.9550)	1
23513443 NS	COUPLING ASSY., 1.75 O.D.	2
COUPLING, TUBE		
23513713	GASKET 1.75 OD COUPLING	1
23513717	RETAINER 1.75 OD COUPLING	1
23513721	COUPLING 1.75 OD TUBE	1
23513444 NS	COUPLING ASSY., 2.00 O.D.	4
COUPLING, TUBE		
23512722	FLANGE EXHAUST	1
23513714	GASKET	1
23513718	RETAINER	1
KIT, FRESH WATER PUMP		
23506028	PUMP ASSY., WATER (LH HI CAP)	1
COUPLING, WATER PUMP DRIVE		
5114011	THROWER	1
BODY, FRESH WATER PUMP		
8920915	BODY (LH) (HI CAP)	1
IMPELLER, FRESH WATER PUMP		
23505998	IMPELLER	1
SEAL, FRESH WATER PUMP		
23506248	SEAL, UNITIZED	1
BEARING, FRESH WATER PUMP		
5114011	THROWER	1
908337	SHAFT (INCLUDES BEARING)	1
23506870	RECONDITIONING KIT (HIGH CAPACITY)	1

**DETROIT DIESEL
CUSTOM PARTS CATALOG 02/19/96
20E0200125**

PART #	NAME AND DESCRIPTION	QUANTITY
3.7000 - INTERCOOLER/AFTERCOOLER		
5118219	BOLT ASSY., (W/SEAL WASHER) (2.2001)	3
GASKET, FRESH WATER PUMP		
5150193	GASKET (FUEL PUMP TO DRIVE ASSY.) (5.1010)	1
GASKET, FRESH WATER PUMP BODY COVER		
5178273	GASKET	1
BRACKET, WATER FILTER MOUNTING		
5127284	CLAMP	4
BRACKET TUBE SUPPORT		
23514574	BRACKET TUBE SUPPORT	4
5127284	CLAMP	2
5157412	SPACER, 7/8"X13/32"X1/4"	2
3.8000 - BLOWER BYPASS CONTROLS		
VALVE, BLOWER BYPASS		
23517070	VALVE RELAY COMP 149T	1
BRACKET, BLOWER BYPASS AIR REG. VALVE		
23514174	BRACKET AIR VALVE SUPPORT V149	1
8927581	BOLT, 3/8"-16X1.135" (12.9001)	4
454894	BOLT, 1/4"-20X3/4" CAD. PLATED (12.9001)	2
103319	LOCKWASHER, 1/4"	2
120375	NUT, 1/4"-20	2
HOSE ASSY., AIR PRESSURE SENSING		
23508453	HOSE ASSY., #4X53.58" L.	1
23508455	HOSE ASSY., #4X88.58" L.	1
23508461	HOSE ASSY., #4X11.58" L.	1
23509135	CLIP, SPRING .490" DIA 3/8" BOLT (4.6040)	3
5101020	STRAP, NYLON (2.5255)	6
5102292	TUBE, 1.26"X22"L. FLEX.	1
5147753	CLIP, 1.18" DIA. 1/2" BOLT (12.8534)	1
8924176	TEE, 1/4"-18 PIPE (12.9490)	1
8924200	TEE, 1/4"X7/16"X7/16"	2
23508445	HOSE ASSY., #4X9.58" L.	1
8924145	CONNECTOR, 1/4" TUBE - 90 DEG.	1
8924178	TEE, 1/4"-18	1
8925720	BUSHING, 1/2"X1/4" RED. PIPE (12.9570)	3
8924146	ELBOW, 90 DEG. 1/4" FLARED TUBE, 1/4"NPTF	8
23516817	HOSE ASM NO. 4 X 83.07 LG H&H FTG	1
23516818	HOSE ASM NO. 4 X 116.94 LG H&H FTG	1
5145994	CLIP, 3/8" TUBE X 1/2" BOLT	6
102635	NUT, 3/8"-16	1
103341	WASHER, 3/8"	1
5144934	CLIP, .438" DIA. 3/8" BOLT	2
5188248	BRACKET, CLIP (7.1806)	1
8927580	BOLT 3/8"-16X1.015" (12.9001)	1

DETROIT DIESEL
CUSTOM PARTS CATALOG 02/19/96
20E0200125

PART #	NAME AND DESCRIPTION	QUANTITY
4.1000A - OIL PUMP		
PUMP ASSY., OIL		
A PUMP ASSY. INCLUDES ITEMS IN 4.1040 THRU 4.1380.		
23505331	PUMP ASSY., (20V)	1
23505326	SHAFT & GEAR ASSY., (20V)	1
5119631	STUD, 1/2"-13X2.24"	2
186725	BOLT, 1/2"-13 X 1.50"	2
103323	LOCKWASHER, 1/2"	4
103028	NUT, 1/2"-20	2
SHIM, OIL PUMP		
5139734	SHIM (.003")	AR
5139634	SHIM (.005")	AR
BODY, OIL PUMP		
A BODY ASSY. INCLUDES BUSHINGS IN 4.1050.		
147113	SCREW, #10-24 X 1" L.	4
23505329	BODY (20V)	1
23512049	DOWEL (20V)	2
5138638	DOWEL, .626"X.37" HOLLOW (4.1040)	2
BUSHING, OIL PUMP BODY		
5107509	BUSHING	1
SPACER, OIL PUMP BODY		
23512030	SPACER (20V)	1
SHAFT, OIL PUMP DRIVE		
23505328	SHAFT (20V)	1
SHAFT, OIL PUMP DRIVEN GEAR		
23505332	SHAFT (20V)	1
9411410	PIN, 1/4"X2 1/2" L. SPRING	1
GEAR, OIL PUMP DRIVE		
23505327	GEAR (20V)	1
8926247	KEY, 1/4"X3/4" WOODRUFF (12.9350)	2
GEAR, OIL PUMP DRIVEN		
A GEAR ASSY. INCLUDES (2) BUSHINGS IN 4.1210.		
23505334	GEAR (20V)	1
BUSHING, OIL PUMP DRIVEN GEAR		
5107510	BUSHING (4.1050)	2
COVER, OIL PUMP		
179848	BOLT, 3/8"-16X2 1/4"	6
8925056	COVER (INCLUDES BUSHINGS IN 4.1240)	1
103321	LOCKWASHER, 3/8"	6
BUSHING, OIL PUMP COVER		
5107509	BUSHING	2
GEAR, OIL PUMP DRIVE-ON PUMP		
23514075	GEAR, OIL PUMP HARDENED	1
8926247	KEY, 1/4"X3/4" WOODRUFF (12.9350)	1
4.1000B - OIL DISTRIBUTION SYSTEM		
PIPE, OIL PUMP INLET		
23511712	TUBE 58.85"L. (20V)	1
23511713	TUBE (20V)	1
5143791	ELBOW	1
5141449	ADAPTOR, SCAV. INLET TUBE	1
5143699	FLANGE	1
8927581	BOLT, 3/8"-16X1.135" (12.9001)	4
SUPPORT, OIL PUMP INLET TUBE		
179881	BOLT, 1/2"-13 X 1.00"	2
	103323	
5142858	SUPPORT (FRONT) (PRESSURE)	1
103323	LOCKWASHER, 1/2"	2

DETROIT DIESEL
CUSTOM PARTS CATALOG 02/19/96
20E0200125

PART #	NAME AND DESCRIPTION	QUANTITY
4.1000B - OIL DISTRIBUTION SYSTEM		
CLIP, OIL PUMP INLET TUBE		
5142910	CLIP (3/8" BOLT X 2 3/4" PIPE) (FRONT)	2
SCREEN, OIL PUMP INLET		
181370	BOLT, 3/8"-24X1 1/4"	2
5131433	WASHER, .41"X.81"X.1345" (1.5001)	2
5139526	SCREEN	2
181381	BOLT, 3/8"-24X2 1/2"	2
5139929	SPACER (3/8" PIPE X 1.30" L.)	4
103341	WASHER, 3/8"	4
192481	NUT, 3/8"-24 LOCK (12.9140)	2
BRACKET, OIL PUMP SCREEN SUPPORT		
103341	WASHER, 3/8"	2
23516584	BRKT ASM OIL PICK UP TUBE V149	1
8927579	BOLT, 3/8"-16X.88" (W/SEAL PATCH) (12.9001)	2
CLIP, OIL PUMP OUTLET PIPE		
179881	BOLT, 1/2"-13 X 1.00"	2
BRACKET, OIL PUMP OUTLET PIPE		
181370	BOLT, 3/8"-24X1 1/4"	2
192481	NUT, 3/8"-24 LOCK (12.9140)	2
5142857	BRACKET (SCAVENGING)	1
PIPE, OIL PUMP OUTLET		
8924928	ADAPTOR	1
8927581	BOLT, 3/8"-16X1.135" (12.9001)	4
GASKET, OIL PUMP OUTLET PIPE		
5139880	GASKET (SCAVENGING)	1
4.1000C - OIL, PRESSURE REGULATOR		
REGULATOR, OIL PRESSURE		
A REGULATOR ASSY. INCLUDES BODY IN 4.1670 PLUS ITEMS IN 4.1690 THRU 4.1701.		
8927021	REGULATOR ASSY. (70 PSI)	3
RELIEF, VALVE OIL PRESSURE		
A VALVE ASSY. INCLUDES BODY IN 4.1680 PLUS ITEMS IN 4.1690 THRU 4.1701.		
8922580	VALVE ASSY.	1
8927579	BOLT, 3/8"-16X.88" (W/SEAL PATCH) (12.9001)	2
8927581	BOLT, 3/8"-16X1.135" (12.9001)	3
BODY, OIL PRESSURE REGULATOR AND RELIEF		
8926966	BODY, REGULATOR	3
8922584	BODY, RELIEF	1
SPRING, OIL PRESSURE REGULATOR		
5126327	SPRING (2.96" FREE LENGTH, 15 COILS, CLOSED ENDS,	3
8922582	SPRING (INNER)	1
8922583	SPRING	1
VALVE, OIL PRESSURE REGULATOR		
8922740	VALVE	4
SEAT, OIL PRESSURE REGULATOR		
5117957	SEAT	4
457008	PIN, 3/16" X 1-1/2" SPRING (12.9270)	4
8922581	SEAT	2
GASKET, OIL PRESSURE REGULATOR BODY		
5117269	GASKET	1
5140831	SEAL RING, 1.234"X.139"	3
4.2000A - OIL FILTER		
FILTER ASSY., OIL		
103323	LOCKWASHER, 1/2"	4
179884	BOLT, 1/2"-13X1 3/8"	3
5107179	BOLT, 1/2"-13X1 1/4"	1

DETROIT DIESEL
CUSTOM PARTS CATALOG 02/19/96
20E0200125

PART #	NAME AND DESCRIPTION	QUANTITY
4.2000A - OIL FILTER		
23513071	ADAPTOR ASSY.	1
8925654	GASKET, OIL FILTER ADAPTOR	2
5103892	ADAPTOR, OIL FILTER ASSY.	6
8925427	INSERT, FILTER ADAPTOR (4.2240)	1
8927581	ADAPTOR, OIL FILTER	2
	BOLT, 3/8"-16X1.135" (12.9001)	3
8922740	VALVE, OIL FILTER BYPASS	3
23513072	VALVE	3
5175567	SPRING, OIL FILTER BYPASS VALVE	3
5137201	SPRING	5
8925427	PLUG, OIL FILTER BYPASS VALVE	5
8927582	PLUG (4.1710)	5
272547	GASKET, OIL FILTER BYPASS PLUG	1
	WASHER, PLUG 1.09 X 1.38 X .032 COPPER (12.6817)	1
	ADAPTOR, OIL FILTER	19
	BOLT, 3/8"-16X1.255" (12.9001)	1
	BOLT, 3/8"-16X6 1/2" (12.9001)	1
ELEMENT, OIL FILTER		
23518531	FILTER, LUBE OIL	6
ADAPTOR, OIL FILTER COVER		
23506133	GASKET (4.4178)	2
8927576	COVER	2
8927581	BOLT, 3/8"-16X1.135" (12.9001)	4
GASKET, OIL FILTER ADAPTOR		
8925654	GASKET	1
23517271	RING SEAL .139X2.859 I.D. FLOCARB 149	2
ADAPTOR, OIL FILTER ASSY.		
23509170	GASKET (INLET & OUTLET)	1
23512024	ELBOW	1
23512026	FLANGE (INLET)	2
23512027	GASKET (INLET)	2
23512029	RING	2
23513457	TUBE ASSY., (INLET)	1
8927586	BOLT, 3/8"-16X1 7/8"	6
8924929	CONNECTOR, OIL FILTER ADAPTOR	1
4.4000A - OIL COOLER AND MARINE GEAR LINES		
COOLER ASSY., OIL COOLER		
23506089	COOLER ASSY., (TUBE TYPE) 20V	1
8928907	GASKET (HOUSING TO CORE)	2
COVER, OIL COOLER HOUSING		
102637	NUT, 1/2"-13	34
103323	LOCKWASHER, 1/2"	40
179890	BOLT, 1/2"-13X2.25"	3
179893	BOLT, 1/2"-13X3"	3
179895	BOLT, 1/2"-13X3 1/2"	15
186659	BOLT, 1/2"-13X3 3/4"	2
188413	BOLT, 1/2"-13X2 7/8"	17
23511572	PLUG, 1/2" NPTF SQ. SOC. (12.9550)	2
5115214	PLUG, 1/2"-14 PIPE (12.9550)	1
8927981	COVER	2
GASKET, OIL COOLER HOUSING COVER		
23502127	RING, WEEP (WATER OUTLET-TEE SHAPED)	1
8928524	SEAL RING	2
GASKET KIT, OIL COOLER		
23516800	GASKET KIT, TUBE & SHELL OIL COOLER 20V149	AR
BRACKET, OIL COOLER HOUSING SUPPORT		
106266	WASHER, 9/16"	2
186626	BOLT, 7/16"-14X1 5/8"	3
23513640	BRACKET, OIL COOLER	1
23513984	BRACKET, OIL COOLER SUPPORT	1
271560	BOLT, 5/8"-11 X 1.75" (12.9001)	3
427564	BOLT, 7/16"-14X1 3/8" (12.9001)	4

DETROIT DIESEL
CUSTOM PARTS CATALOG 02/19/96
20E0200125

PART #	NAME AND DESCRIPTION	QUANTITY
4.4000A - OIL COOLER AND MARINE GEAR LINES		
5117082	SPACER, .53"X1.16" (3.4103)	4
5124988	WASHER (GENERATOR SHAFT)	2
23505742	BRACKET (REAR)	1
23506110	BRACKET (FRONT)	1
23511051	A SUPPORT	1
179884	BOLT, 1/2"-13X1 3/8"	4
193221	BOLT, 7/16"-14X1 1/4"	7
179856	BOLT, 7/16"-14X3/4"	1
9409129	A BOLT, 1/2"-20X1 3/4" LOCK (12.9001)	2
223435	BOLT, 5/8"-11X1 3/4"	2
271558	BOLT, 5/8"-11X1 1/2" (12.9001)	2
442734	A BOLT, 1/2"-13X4" (12.9001)	1
103322	LOCKWASHER, 7/16"	8
103323	LOCKWASHER, 1/2"	4
103325	LOCKWASHER, 5/8"	6
102639	NUT, 5/8"-11	3
9415992	A NUT, 1/2"-20X3/4" (6.1001)	2
A INCLUDED IN BRACKET/SUPPORT KIT 23511168.		
BRACKET, OIL COOLER TUBE		
23514434	BRACKET, OIL COOLER TUBE	1
5127284	CLAMP	1
179884	BOLT, 1/2"-13X1 3/8"	1
5109886	SPACER, 1/2"X1 1/8"X5/32" (12.6682)	4
120392	WASHER, 1/4"	2
103323	LOCKWASHER, 1/2"	2
120380	LOCKWASHER, 1/4"	2
ELBOW OIL COOLER INLET & BYPASS-OIL		
8925430	ELBOW	1
8927587	BOLT, 3/8"-16X2" (12.9001)	6
103321	LOCKWASHER, 3/8"	6
103323	LOCKWASHER, 1/2"	4
ELBOW, OIL COOLER OUTLET-OIL		
23509118	ELBOW	1
442733	BOLT, 1/2"-13 X 1.25" (12.9001)	1
8927578	BOLT, 3/8"-16X.755" (12.9001)	1
8927587	BOLT, 3/8"-16X2" (12.9001)	3
FLANGE, OIL COOLER INLET & OUTLET-OIL		
23508864	FLANGE, OIL CLR ELBOW V14	1
186725	BOLT, 1/2"-13 X 1.50"	3
103323	LOCKWASHER, 1/2"	4
GASKET, OIL COOLER INLET & OUTLET-OIL		
23509110	GASKET (OUTLET)	1
23509170	GASKET (INLET & OUTLET)	1
23512027	GASKET (INLET)	2
23506427	RING, SEAL	2
23512029	RING	4
TUBE, OIL COOLER INLET AND OUTLET		
23511714	TUBE ASSY., (OUTLET)	1
179893	BOLT, 1/2"-13X3"	4
103323	LOCKWASHER, 1/2"	4
GASKET, OIL COOLER INLET AND OUTLET TUBE		
23506470	GASKET (OUTLET AT BLOCK)	2
CONNECTION, OIL COOLER WATER INLET		
23512376	FLANGE	1
23512377	SEAL RING	1
103321	LOCKWASHER, 3/8"	3
GASKET, OIL COOLER WATER INLET CONNECTION		
23506132	GASKET	2
BRACKET, OIL COOLER WATER INLET TUBE SUPPORT		
5142770	BRACKET	1
5141176	CLAMP	1
5141180	SPACER	1

**DETROIT DIESEL 1987
CUSTOM PARTS CATALOG 02/19/96
20E0200125**

PART #	NAME AND DESCRIPTION	QUANTITY
4.4000A - OIL COOLER AND MARINE GEAR LINES		
179884	BOLT, 1/2"-13X1 3/8"	6
271562	BOLT, 5/8"-11X2 1/4" (12.9001)	1
103341	WASHER, 3/8"	1
103325	LOCKWASHER, 5/8"	1
103323	LOCKWASHER, 1/2"	6
4. ELBOW, OIL COOLER WATER OUTLET		
8927582	BOLT, 3/8"-16X1.255" (12.9001)	3
8924930	ELBOW	2
8925434	TEE	1
8927581	BOLT, 3/8"-16X1.135" (12.9001)	8
103321	LOCKWASHER, 3/8"	3
GASKET, OIL COOLER WATER OUTLET ELBOW		
5140675	GASKET (4.4219)	1
FLANGE, OIL COOLER WATER OUTLET		
8927584	BOLT, 3/8"-16X1.515" HEX. HD. (12.9001)	15
5145371	FLANGE (SEAL)	4
8924941	PLATE	2
103321	LOCKWASHER, 3/8"	15
GASKET, OIL COOLER WATER OUTLET FLANGE		
5141031	GASKET (4.4244)	2
23509170	GASKET (INLET & OUTLET)	2
5145411	RING, SEAL (INLET-BETWEEN ELBOWS) (4.4244)	2
TUBE, OIL COOLER WATER INLET		
8927586	BOLT, 3/8"-16X1 7/8"	1
23505562	TUBE ASSY., (INLET)	1
23505564	TUBE ASSY., (INLET)	1
23512663	TUBE	1
5145370	FLANGE (SEAL)	1
23505563	TEE	1
8927581	BOLT, 3/8"-16X1.135" (12.9001)	2
8927582	BOLT, 3/8"-16X1.255" (12.9001)	2
8927585	BOLT, 3/8"-16X1-3/4"	15
103321	LOCKWASHER, 3/8"	6
102635	NUT, 3/8"-16	1
GASKET, TUBE OIL COOLER INLET-WATER		
5141031	GASKET (4.4244)	3
5145409	SEAL RING, 3.80"X.45"	1
5145411	RING, SEAL (INLET-BETWEEN ELBOWS) (4.4244)	2
HOSE, MARINE GEAR OR TRANSMISSION OIL OUTLET		
CELVO254	HOSE ASSY., #16 X 29.2" LG.	1
23513853	ADAPTER, 90 DEG. ELBOW	2
4.5000A - OIL FILLER		
TUBE, OIL FILLER		
8927579	BOLT, 3/8"-16X.88" (W/SEAL PATCH) (12.9001)	2
5142371	TUBE ASSY.	1
GASKET, OIL FILLER TUBE ADAPTOR		
5120540	GASKET	1
CAP, OIL FILLER		
5117362	CAP, OIL FILLER	1
STRAINER, OIL FILLER TUBE		
5150147	STRAINER	1
5107979	HOOK, CHAIN ("S" TYPE) (4.5020)	2
CHAIN, OIL FILLER CAP		
5113825	CHAIN, 20" L.	1
E CUT LENGTH TO SUIT.		
4.6000A - DIPSTICK		
DIPSTICK		

DETROIT DIESEL
CUSTOM PARTS CATALOG 02/19/96
20E0200125

PART #	NAME AND DESCRIPTION	QUANTITY
4.6000A - DIPSTICK		
23514528	DIPSTICK, OIL LEVEL TURNTITE 9.85"L. (NEW STYLE)	1
5104554	DIPSTICK (X 9.10 Y 1.05 Z 7.30)	1
GUIDE, DIPSTICK		
23513842	SEAL OIL LVL GA ADAP (NEW STYLE)	1
5120861	GUIDE ASSY. (4 5/8" L.)	1
GUIDE, DIPSTICK		
5151430	GUIDE (1.50" L.)	1
23513593	GUIDE ASSY., 4.62"L. (NEW STYLE)	1
GUIDE, DIPSTICK		
5151430	GUIDE (1.50" L.)	1
ADAPTOR, DIPSTICK		
5142112	ADAPTOR (6.50" DEV. L.)	1
ADAPTOR, DIPSTICK		
137401	NUT, 1/2" INV. TUBE	1
4.7000A - OIL PAN		
PAN, OIL-UPPER		
8927585	BOLT, 3/8"-16X1-3/4"	16
23511608	PAN, (CENTER) 20V	1
23511632	PAN, (FRT. & RR.) 20V	2
5141245	SEAL (STRIP) (1.5010)	1
179862	BOLT, 7/16"-14X1 1/2"	60
271566	BOLT, 5/8"-11X3" (12.9001)	8
442733	BOLT, 1/2"-13 X 1.25" (12.9001)	2
8925804	STUD, 7/16"-14/20X2 3/32" (6.1020)	8
23511630	SPACER	1
103322	LOCKWASHER, 7/16"	8
103323	LOCKWASHER, 1/2"	18
103325	LOCKWASHER, 5/8"	8
456939	NUT, 7/16"-20 (12.9120)	8
102637	NUT, 1/2"-13	16
PAN, OIL-LOWER		
8924141	PLUG, 1/4" PIPE (12.9550)	2
8927585	BOLT, 3/8"-16X1-3/4"	16
5145183	PAN (CAD.) (STAMPED) (20V)	1
23511629	PLATE	2
5103185	PLUG, 1" SQ. HD. (12.9550)	2
5142549	PLUG, 3/4" PIPE SQ. SOC. (12.9550)	2
8927581	BOLT, 3/8"-16X1.135" (12.9001)	48
8927579	BOLT, 3/8"-16X.88" (W/SEAL PATCH) (12.9001)	4
186288	BOLT, 3/8"-16X4 1/2"	4
23511572	PLUG, 1/2" NPTF SQ. SOC. (12.9550)	1
GASKET, OIL PAN FRONT TO REAR		
23511631	GASKET (20V)	1
GASKET, OIL PAN TO BLOCK		
23513770	SEAL RING 115.02-115.78	1
GASKET, LOWER OIL PAN		
5125646	GASKET	1
5131100	GASKET (8V)	2
PLATE, OIL PAN HAND HOLE		
23503180	PLATE, OIL PAN COVER (LB & RB FRONT UPPER OIL PAN)	1
5140885	PLATE	1
23511633	PLATE (20V)	3
5140847	PLATE	7
5142648	COVER, PLATE (4.7050)	4
8927580	BOLT 3/8"-16X1.015" (12.9001)	112
GASKET, OIL PAN HAND HOLE		
8927620	GASKET	11
8927619	GASKET (4.7060)	4

**DETROIT DIESEL
CUSTOM PARTS CATALOG 02/19/96
20E0200125**

PART #	NAME AND DESCRIPTION	QUANTITY
4.7000A - OIL PAN		
SHIM, OIL PAN		
5144698	SHIM (.003" THK.)	AR
5144697	SHIM (.010" THK.)	AR
5177606	SHIM (.005" THK.)	AR
4.8000A - VENTILATING SYSTEM		
PIPE, BREATHER EXTENSION		
23512016	TUBE (LBF-RBR)	2
23509251	TUBE (L.B.R.)	2
HOSE, BREATHER EXTENSION		
23506064	HOSE, 1 1/4"X27" L.	4
3290750	HOSE, 1.25"X3.26"L.(5120022)	4
CLAMP, BREATHER EXTENSION PIPE HOSE		
23516779	CLAMP	12
BRACKET, BREATHER EXTENSION PIPE		
5146826	CLIP, 1 1/4" TUBE X 1/2" BOLT (4.8175)	4
4.8000A - VENTILATING SYSTEM		
SHELL, BREATHER		
23515215	HSG & TUBE ASSY RKR CVR BREATHER	4
5103647	RETAINER ROCKER COVER BREATHER	4
5103642	SCREW, #10-24X.375" LOCK (4.8055)	12
GASKET, BREATHER SHELL COVER		
5103646	SEAL DC ROCKER COVER BREATHER	4
FILTER UNIT, BREATHER		
5103636	RETAINER BTHR ELEMENT ROCKER COVER	4
8927797	ELEMENT, BREATHER	4
4.8000A - THERMOSTAT		
THERMOSTAT ASSY.		
23500000	THERMOSTAT (SEAL RING)	1
SEAL, THERMOSTAT		
87221479	SEAL	2
HOLDING, THERMOSTAT		
5141424	COVER (R. BANK)	2
51413071	HOUSING (L. BANK)	2
51427192	BOLT, 3/8"-16X1.5 (L. BANK)	2
51427193	BOLT, 3/8"-16X1.5 (R. BANK)	2
51413122	PLUG, 1/2" (L. BANK)	2
51413123	PLUG, 1/2" (R. BANK)	2
51413124	PLUG, 3/8" (L. BANK)	2
51413125	PLUG, 3/8" (R. BANK)	2
51413126	PLUG, 1/2" (L. BANK)	2
51413127	PLUG, 1/2" (R. BANK)	2
51413128	PLUG, 3/8" (L. BANK)	2
51413129	PLUG, 3/8" (R. BANK)	2
51413130	PLUG, 1/2" (L. BANK)	2
51413131	PLUG, 1/2" (R. BANK)	2
51413132	PLUG, 3/8" (L. BANK)	2
51413133	PLUG, 3/8" (R. BANK)	2
51413134	PLUG, 1/2" (L. BANK)	2
51413135	PLUG, 1/2" (R. BANK)	2
51413136	PLUG, 3/8" (L. BANK)	2
51413137	PLUG, 3/8" (R. BANK)	2
51413138	PLUG, 1/2" (L. BANK)	2
51413139	PLUG, 1/2" (R. BANK)	2
51413140	PLUG, 3/8" (L. BANK)	2
51413141	PLUG, 3/8" (R. BANK)	2
51413142	PLUG, 1/2" (L. BANK)	2
51413143	PLUG, 1/2" (R. BANK)	2
51413144	PLUG, 3/8" (L. BANK)	2
51413145	PLUG, 3/8" (R. BANK)	2
51413146	PLUG, 1/2" (L. BANK)	2
51413147	PLUG, 1/2" (R. BANK)	2
51413148	PLUG, 3/8" (L. BANK)	2
51413149	PLUG, 3/8" (R. BANK)	2
51413150	PLUG, 1/2" (L. BANK)	2
51413151	PLUG, 1/2" (R. BANK)	2
51413152	PLUG, 3/8" (L. BANK)	2
51413153	PLUG, 3/8" (R. BANK)	2
51413154	PLUG, 1/2" (L. BANK)	2
51413155	PLUG, 1/2" (R. BANK)	2
51413156	PLUG, 3/8" (L. BANK)	2
51413157	PLUG, 3/8" (R. BANK)	2
51413158	PLUG, 1/2" (L. BANK)	2
51413159	PLUG, 1/2" (R. BANK)	2
51413160	PLUG, 3/8" (L. BANK)	2
51413161	PLUG, 3/8" (R. BANK)	2
51413162	PLUG, 1/2" (L. BANK)	2
51413163	PLUG, 1/2" (R. BANK)	2
51413164	PLUG, 3/8" (L. BANK)	2
51413165	PLUG, 3/8" (R. BANK)	2
51413166	PLUG, 1/2" (L. BANK)	2
51413167	PLUG, 1/2" (R. BANK)	2
51413168	PLUG, 3/8" (L. BANK)	2
51413169	PLUG, 3/8" (R. BANK)	2
51413170	PLUG, 1/2" (L. BANK)	2
51413171	PLUG, 1/2" (R. BANK)	2
51413172	PLUG, 3/8" (L. BANK)	2
51413173	PLUG, 3/8" (R. BANK)	2
51413174	PLUG, 1/2" (L. BANK)	2
51413175	PLUG, 1/2" (R. BANK)	2
51413176	PLUG, 3/8" (L. BANK)	2
51413177	PLUG, 3/8" (R. BANK)	2
51413178	PLUG, 1/2" (L. BANK)	2
51413179	PLUG, 1/2" (R. BANK)	2
51413180	PLUG, 3/8" (L. BANK)	2
51413181	PLUG, 3/8" (R. BANK)	2
51413182	PLUG, 1/2" (L. BANK)	2
51413183	PLUG, 1/2" (R. BANK)	2
51413184	PLUG, 3/8" (L. BANK)	2
51413185	PLUG, 3/8" (R. BANK)	2
51413186	PLUG, 1/2" (L. BANK)	2
51413187	PLUG, 1/2" (R. BANK)	2
51413188	PLUG, 3/8" (L. BANK)	2
51413189	PLUG, 3/8" (R. BANK)	2
51413190	PLUG, 1/2" (L. BANK)	2
51413191	PLUG, 1/2" (R. BANK)	2
51413192	PLUG, 3/8" (L. BANK)	2
51413193	PLUG, 3/8" (R. BANK)	2
51413194	PLUG, 1/2" (L. BANK)	2
51413195	PLUG, 1/2" (R. BANK)	2
51413196	PLUG, 3/8" (L. BANK)	2
51413197	PLUG, 3/8" (R. BANK)	2
51413198	PLUG, 1/2" (L. BANK)	2
51413199	PLUG, 1/2" (R. BANK)	2
51413200	PLUG, 3/8" (L. BANK)	2
51413201	PLUG, 3/8" (R. BANK)	2
51413202	PLUG, 1/2" (L. BANK)	2
51413203	PLUG, 1/2" (R. BANK)	2
51413204	PLUG, 3/8" (L. BANK)	2
51413205	PLUG, 3/8" (R. BANK)	2
51413206	PLUG, 1/2" (L. BANK)	2
51413207	PLUG, 1/2" (R. BANK)	2
51413208	PLUG, 3/8" (L. BANK)	2
51413209	PLUG, 3/8" (R. BANK)	2
51413210	PLUG, 1/2" (L. BANK)	2
51413211	PLUG, 1/2" (R. BANK)	2
51413212	PLUG, 3/8" (L. BANK)	2
51413213	PLUG, 3/8" (R. BANK)	2
51413214	PLUG, 1/2" (L. BANK)	2
51413215	PLUG, 1/2" (R. BANK)	2
51413216	PLUG, 3/8" (L. BANK)	2
51413217	PLUG, 3/8" (R. BANK)	2
51413218	PLUG, 1/2" (L. BANK)	2
51413219	PLUG, 1/2" (R. BANK)	2
51413220	PLUG, 3/8" (L. BANK)	2
51413221	PLUG, 3/8" (R. BANK)	2
51413222	PLUG, 1/2" (L. BANK)	2
51413223	PLUG, 1/2" (R. BANK)	2
51413224	PLUG, 3/8" (L. BANK)	2
51413225	PLUG, 3/8" (R. BANK)	2
51413226	PLUG, 1/2" (L. BANK)	2
51413227	PLUG, 1/2" (R. BANK)	2
51413228	PLUG, 3/8" (L. BANK)	2
51413229	PLUG, 3/8" (R. BANK)	2
51413230	PLUG, 1/2" (L. BANK)	2
51413231	PLUG, 1/2" (R. BANK)	2
51413232	PLUG, 3/8" (L. BANK)	2
51413233	PLUG, 3/8" (R. BANK)	2
51413234	PLUG, 1/2" (L. BANK)	2
51413235	PLUG, 1/2" (R. BANK)	2
51413236	PLUG, 3/8" (L. BANK)	2
51413237	PLUG, 3/8" (R. BANK)	2
51413238	PLUG, 1/2" (L. BANK)	2
51413239	PLUG, 1/2" (R. BANK)	2
51413240	PLUG, 3/8" (L. BANK)	2
51413241	PLUG, 3/8" (R. BANK)	2
51413242	PLUG, 1/2" (L. BANK)	2
51413243	PLUG, 1/2" (R. BANK)	2
51413244	PLUG, 3/8" (L. BANK)	2
51413245	PLUG, 3/8" (R. BANK)	2
51413246	PLUG, 1/2" (L. BANK)	2
51413247	PLUG, 1/2" (R. BANK)	2
51413248	PLUG, 3/8" (L. BANK)	2
51413249	PLUG, 3/8" (R. BANK)	2
51413250	PLUG, 1/2" (L. BANK)	2
51413251	PLUG, 1/2" (R. BANK)	2
51413252	PLUG, 3/8" (L. BANK)	2
51413253	PLUG, 3/8" (R. BANK)	2
51413254	PLUG, 1/2" (L. BANK)	2
51413255	PLUG, 1/2" (R. BANK)	2
51413256	PLUG, 3/8" (L. BANK)	2
51413257	PLUG, 3/8" (R. BANK)	2
51413258	PLUG, 1/2" (L. BANK)	2
51413259	PLUG, 1/2" (R. BANK)	2
51413260	PLUG, 3/8" (L. BANK)	2
51413261	PLUG, 3/8" (R. BANK)	2
51413262	PLUG, 1/2" (L. BANK)	2
51413263	PLUG, 1/2" (R. BANK)	2
51413264	PLUG, 3/8" (L. BANK)	2
51413265	PLUG, 3/8" (R. BANK)	2
51413266	PLUG, 1/2" (L. BANK)	2
51413267	PLUG, 1/2" (R. BANK)	2
51413268	PLUG, 3/8" (L. BANK)	2
51413269	PLUG, 3/8" (R. BANK)	2
51413270	PLUG, 1/2" (L. BANK)	2
51413271	PLUG, 1/2" (R. BANK)	2
51413272	PLUG, 3/8" (L. BANK)	2
51413273	PLUG, 3/8" (R. BANK)	2
51413274	PLUG, 1/2" (L. BANK)	2
51413275	PLUG, 1/2" (R. BANK)	2
51413276	PLUG, 3/8" (L. BANK)	2
51413277	PLUG, 3/8" (R. BANK)	2
51413278	PLUG, 1/2" (L. BANK)	2
51413279	PLUG, 1/2" (R. BANK)	2
51413280	PLUG, 3/8" (L. BANK)	2
51413281	PLUG, 3/8" (R. BANK)	2
51413282	PLUG, 1/2" (L. BANK)	2
51413283	PLUG, 1/2" (R. BANK)	2
51413284	PLUG, 3/8" (L. BANK)	2
51413285	PLUG, 3/8" (R. BANK)	2
51413286	PLUG, 1/2" (L. BANK)	2
51413287	PLUG, 1/2" (R. BANK)	2
51413288	PLUG, 3/8" (L. BANK)	2
51413289	PLUG, 3/8" (R. BANK)	2
51413290	PLUG, 1/2" (L. BANK)	2
51413291	PLUG, 1/2" (R. BANK)	2
51413292	PLUG, 3/8" (L. BANK)	2
51413293	PLUG, 3/8" (R. BANK)	2
51413294	PLUG, 1/2" (L. BANK)	2
51413295	PLUG, 1/2" (R. BANK)	2
51413296	PLUG, 3/8" (L. BANK)	2
51413297	PLUG, 3/8" (R. BANK)	2
51413298	PLUG, 1/2" (L. BANK)	2
51413299	PLUG, 1/2" (R. BANK)	2
51413300	PLUG, 3/8" (L. BANK)	2
51413301	PLUG, 3/8" (R. BANK)	2
51413302	PLUG, 1/2" (L. BANK)	2
51413303	PLUG, 1/2" (R. BANK)	2
51413304	PLUG, 3/8" (L. BANK)	2
51413305	PLUG, 3/8" (R. BANK)	2
51413306	PLUG, 1/2" (L. BANK)	2
51413307	PLUG, 1/2" (R. BANK)	2
51413308	PLUG, 3/8" (L. BANK)	2
51413309	PLUG, 3/8" (R. BANK)	2
51413310	PLUG, 1/2" (L. BANK)	2
51413311	PLUG, 1/2" (R. BANK)	2
51413312	PLUG, 3/8" (L. BANK)	2
51413313	PLUG, 3/8" (R. BANK)	2
51413314	PLUG, 1/2" (L. BANK)	2
51413315	PLUG, 1/2" (R. BANK)	2
51413316	PLUG, 3/8" (L. BANK)	2
51413317	PLUG, 3/8" (R. BANK)	2
51413318	PLUG, 1/2" (L. BANK)	2
51413319	PLUG, 1/2" (R. BANK)	2
51413320	PLUG, 3/8" (L. BANK)	2
51413321	PLUG, 3/8" (R. BANK)	2
51413322	PLUG, 1/2" (L. BANK)	2
51413323	PLUG, 1/2" (R. BANK)	2
51413324	PLUG, 3/8" (L. BANK)	2
51413325	PLUG, 3/8" (R. BANK)	2
51413326	PLUG, 1/2" (L. BANK)	2
51413327	PLUG, 1/2" (R. BANK)	2
51413328	PLUG, 3/8" (L. BANK)	2
51413329	PLUG, 3/8" (R. BANK)	2
51413330	PLUG, 1/2" (L. BANK)	2
51413331	PLUG, 1/2" (R. BANK)	2
51413332	PLUG, 3/8" (L. BANK)	2
51413333	PLUG, 3/8" (R. BANK)	2
51413334	PLUG, 1/2" (L. BANK)	2
51413335	PLUG, 1/2" (R. BANK)	2
51413336	PLUG, 3/8" (L. BANK)	2
51413337	PLUG, 3/8" (R. BANK)	2
51413338	PLUG, 1/2" (L. BANK)	2
51413339	PLUG, 1/2" (R. BANK)	2
51413340	PLUG, 3/8" (L. BANK)	2
51413341	PLUG, 3/8" (R. BANK)	2
51413342	PLUG, 1/2" (L. BANK)	2
51413343	PLUG, 1/2" (R. BANK)	2
51413344	PLUG, 3/8" (L. BANK)	2
51413345	PLUG, 3/8" (R. BANK)	2
51413346	PLUG, 1/2" (L. BANK)	2
51413347	PLUG, 1/2" (R. BANK)	2
51413348	PLUG, 3/8" (L. BANK)	2
51413349	PLUG, 3/8" (R. BANK)	2
51413350	PLUG, 1/2" (L. BANK)	2
51413351	PLUG, 1/2" (R. BANK)	2
51413352	PLUG, 3/8" (L. BANK)	2
51413353	PLUG, 3/8" (R. BANK)	2
51413354	PLUG, 1/2" (L. BANK)	2
51413355	PLUG, 1/2" (R. BANK)	2
51413356	PLUG, 3/8" (L. BANK)	

DETROIT DIESEL PARTS
CUSTOM PARTS CATALOG 02/19/96
20E0200125

PART #	NAME AND DESCRIPTION	QUANTITY
5.1000 - FRESH WATER PUMP		
PUMP ASSY., FRESH WATER		
R23512230	REMANUFACTURED 23512230	AR
23512230	PUMP ASSY., (20V)	1
RECONDITIONING KIT, FRESH WATER PUMP		
A ROTATING ASSY. INCLUDES ITEMS IN 5.1050, 5.1065, 5.1070, 5.1071, 5.1130 AND 5.1190.		
23512649	ROTATING ASSY.	1
8923847	PLUG, PIPE 1/4"-18" NPTF	1
BODY, FRESH WATER PUMP		
A BODY ASSY. INCLUDES PIN IN 5.1030 AND STUDS IN 5.1040.		
141236	PIN, 3/8"X1/2" DOWEL (12.9290)	1
23512647	BODY ASSY.	1
STUD, FRESH WATER PUMP		
112209	STUD, 3/8"X1 15/16" (12.9117)	1
5128641	STUD, 3/8"-16/24X1 1/2" (1.7600)	6
SHAFT ASSY., FRESH WATER PUMP		
23512602	SHAFT	1
SEAL, FRESH WATER PUMP SHAFT BEARING		
5117983	SEAL	1
BEARING, FRESH WATER PUMP		
23503649	BEARING	1
23512650	BEARING	1
RETAINER, FRESH WATER PUMP BEARING AND SEAL		
103026	NUT, 3/8"-24	6
103321	LOCKWASHER, 3/8"	6
23512603	RETAINER	1
9415285	RING, 2 7/16" DIA. LOCK RETAINING (2.7470)	1
GASKET, FRESH WATER PUMP BEARING SUPPORT		
5127922	GASKET (BEARING AND SEAL RETAINER TO BODY)	1
IMPELLER, FRESH WATER PUMP		
221436	WASHER, 7/16" (12.9200)	1
23512448	IMPELLER	1
5117972	NUT, 7/16"-20 LOCK (5.1120)	1
SEAL, FRESH WATER PUMP		
23512655	SEAL, UNITIZED	1
GEAR, FRESH WATER PUMP DRIVE		
5138934	GEAR (L.H. HELIX)	1
5140858	RING, SEAL (1.39"X7.734" I.D.)	1
450517	BOLT, 3/8"-16X4 3/4" (12.9001)	3
8921931	# BOLT, 3/8"-16X4.75" (W/SEAL PATCH) (12.9001)	1
103321	LOCKWASHER, 3/8"	4
5131433	WASHER, .41"X.81"X.1345" (1.5001)	1
103026	NUT, 3/8"-24	1
# USE IN DRILLED THRU HOLE IN FRONT COVER.		
5.1000A - FRESH, WATER PUMP COVER		
SEAL, WATER PUMP INLET		
23512386	SEAL, RING	1
23512387	SEAL, RING	1
COVER, WATER PUMP BYPASS		
23512600	COVER	1
179844	BOLT, 3/8"-16X1 5/8"	1
186629	BOLT, 5/16"-18 X 1"	2
192883	BOLT, 3/8"-16X5 1/4" (12.9001)	2
103320	LOCKWASHER, 5/16"	2
103321	LOCKWASHER, 3/8"	3
ELBOW, WATER INLET		
8921931	BOLT, 3/8"-16X4.75" (W/SEAL PATCH) (12.9001)	2
8927584	BOLT, 3/8"-16X1.515" HEX. HD. (12.9001)	1
23512601	ELBOW	1
GASKET, WATER INLET ELBOW		
23512388	SEAL, RING	1
5.2000A - WATER OUTLET MANIFOLD AND/OR ELBOW		
ELBOW, WATER OUTLET MANIFOLD		
5141439	CONNECTION (STRAIGHT)	2

DETROIT DIESEL
CUSTOM PARTS CATALOG 02/19/96
20E0200125

PART #	NAME AND DESCRIPTION	QUANTITY
5.2000A - WATER OUTLET MANIFOLD AND/OR ELBOW		
186628	BOLT, 3/8"-16X1 1/2"	8
103321	LOCKWASHER, 3/8"	8
102635	NUT, 3/8"-16	8
GASKET, WATER OUTLET MANIFOLD ELBOW		
23518859	GASKET THERMOSTAT HOUSING OUTLET 149	2
5.2000A - WATER OUTLET MANIFOLD AND/OR ELBOW		
MANIFOLD, WATER OUTLET		
23511574	PLUG, 1" PIPE SQ. SOC. SCOTCHGRIP	20
23511271	MANIFOLD, CENTER (20V)	18
23518301	MANIFOLD WATER OTLT RHRR DUC IRON 149	1
23518300	MANIFOLD WATER OTLT LHRR DUC IRON 149	1
23511405	PLUG, 3 5/8"-16 X .75"	2
8925589	PLUG, 1 1/2" PIPE SQ. HD. (12.9550)	2
8927582	BOLT, 3/8"-16X1.255" (12.9001)	40
GASKET, WATER OUTLET MANIFOLD		
5139745	GASKET	20
SEAL, WATER OUTLET MANIFOLD		
23511276	SEAL, (OUTLET)	38
5145410	SEAL (OUTLET)	2
5145369	FLANGE, SEAL	2
5141448	PLATE, SEAL FLANGE	2
5141445	GASKET, PLATE	2
186628	BOLT, 3/8"-16X1 1/2"	6
103321	LOCKWASHER, 3/8"	6
TUBE, WATER OUTLET MANIFOLD		
23511345	TUBE, 3 1/2" O.D. X 6.44"L.	14
23511346	TUBE, 3 1/2" O.D. X 7.00"L.	1
23511347	TUBE, 3 1/2" O.D. X 5.50"L.	1
23511348	TUBE, 3 1/2" O.D. X 12.50"L.	4
HOSE, WATER OUTLET MANIFOLD TUBE		
CBHH0354	HOSE ASSY., #8 X 38.2" LG.	2
115226	BUSHING, 1"X3/8 RED PIPE	2
8924150	ELBOW, 1/2"-90 DEG. FL. TUBE; 3/8" PIPE (12.9390)	4
CLAMP, WATER OUTLET MANIFOLD TUBE HOSE		
5146788	CLIP, 5/8" HOSE (2.5070)	2
5.2000B - THERMOSTAT		
THERMOSTAT ASSY.		
23503826	THERMOSTAT (170 DEG. OPENING TEMP.)	6
SEAL, THERMOSTAT		
5132155	SEAL	6
HOUSING, THERMOSTAT		
5141431	HOUSING (R. BANK)	1
5141397	HOUSING (L. BANK)	1
8925710	DRAINCOCK, 3/8" (12.9510)	3
5115214	PLUG, 1/2"-14 PIPE (12.9550)	4
5121182	PLUG, 1/4" PIPE (2.4015)	2
5103185	PLUG, 1" SQ. HD. (12.9550)	2
5142549	PLUG, 3/4" PIPE SQ. SOC. (12.9550)	2
433859	BOLT, 7/16"-14X2 3/8" (12.9001)	2
450517	BOLT, 3/8"-16X4 3/4" (12.9001)	6
103341	WASHER, 3/8"	6
187136	BOLT, 7/16"-14X6"	6
103321	LOCKWASHER, 3/8"	6
103322	LOCKWASHER, 7/16"	8
GASKET, THERMOSTAT HOUSING		
5139501	GASKET	2
COVER, THERMOSTAT HOUSING		
5141504	* COVER ASSY. (R. BANK) (5141441)	1

**DETROIT DIESEL
CUSTOM PARTS CATALOG 02/19/96
20E0200125**

PART #	NAME AND DESCRIPTION	QUANTITY
6.1000A - EXHAUST MANIFOLD AND/OR CONNECTIONS		
MANIFOLD, EXHAUST		
8924976	MANIFOLD, 16V R. FRONT OR L. REAR (HALF)	3
8924977	MANIFOLD, 12V (R. FRONT, L. REAR HALF)	3
8924978	MANIFOLD, 16V R. FRONT & L. REAR (HALF)	1
8924979	MANIFOLD, 8V L. BANK FRONT (HALF)	1
23504113	MANIFOLD, 12V (R. FRONT, L. REAR HALF)	2
23504115	MANIFOLD, 12V (R. FRONT, L. REAR HALF)	2
8924982	CLAMP	12
23501607	PLUG, 1/8" SQ. SOC. PIPE (12.9550)	6
113175	PLUG, 1/8" PIPE (12.9550)	6
5140997	WASHER, 1/2" (6.1001)	38
23511400	NUT, 1/2"-20"	52
EXPANDER, EXHAUST MANIFOLD		
8924980	EXPANDER	12
23511845	SEAL RING	12
GASKET, EXHAUST MANIFOLD		
23511401	GASKET	20
5113412	GASKET (7.4510)	1
PLATE, EXHAUST MANIFOLD COVER		
5121098	PLATE	1
103320	LOCKWASHER, 5/16"	2
186618	BOLT, 5/16"-18X5/8"	2
5146051	SHIELD (RETURN HOSE)	8

DETROIT DIESEL
CUSTOM PARTS CATALOG 02/19/96
20E0200125

PART #	NAME AND DESCRIPTION	QUANTITY
7.1000A - BATTERY, CHARGING GENERATOR		
GENERATOR ASSY.		
SERVICE ON ELECTRICAL EQUIPMENT (*) IN THIS SECTION IS HANDLED THROUGH AC D ELCO.		
19010002	* GENERATOR, 24V. 75AMP. (NG. C.W./C.C.W. 28SI)	1
9427945	BOLT, 1/2"-13 X 6.25" (12.9001)	1
5132715	WASHER, .53"X.94"X.12" (1.3140)	2
103323	LOCKWASHER, 1/2"	1
102637	NUT, 1/2"-13	1
* NOT SERVICED BY DDC.		
PULLEY, GENERATOR		
5145471	PULLEY (2.83" DIA., 9 GROOVE) (POLY-VEE)	1
PULLEY, GENERATOR DRIVE		
23515318	PULLEY & DAMPER ASSY.	1
124543	KEY, 1/8"X1/2" WOODRUFF	1
DRIVE ASSY., GENERATOR		
SEE ASSEMBLY BREAKDOWN PAGE A1.		
23511920	DRIVE ASSY.	1
HUB, GENERATOR DRIVE PULLEY		
5143234	HUB, ACCESSORY DRIVE	1
124543	KEY, 1/8"X1/2" WOODRUFF	2
SEAL, GENERATOR DRIVE OIL		
5138710	SEAL (3.4160)	1
RETAINER, GENERATOR DRIVE BEARING AND OIL SEAL		
23511882	RETAINER	1
SHAFT, GENERATOR DRIVE		
5143232	SHAFT (7.1510)	1
272906	NUT, 3/4"-16 LOCK (12.9140)	1
BEARING, GENERATOR DRIVE		
23503727	BEARING ASSY., ACCRY. DRIVE (5.4332)	1
SPACER, GENERATOR DRIVE PULLEY SHAFT BEARING		
5135540	SPACER, OIL SEAL (7.1515)	1
LOCKRING, GENERATOR DRIVE BEARING		
274621	RING, LOCK (7.1545)	1
8927581	BOLT, 3/8"-16X1.135" (12.9001)	1
GASKET, GENERATOR DRIVE		
23511917	SEAL RING (2.2237)	1
COUPLING, GENERATOR DRIVE-INNER		
5139545	COUPLING	1
BELT, GENERATOR DRIVE		
23503020	BELT, POLY V (44" L.)	1
STRAP, GENERATOR ADJUSTING		
5148834	STRAP	1
186725	BOLT, 1/2"-13 X 1.50"	2
5117082	SPACER, .53"X1.16" (3.4103)	1
5132715	WASHER, .53"X.94"X.12" (1.3140)	1
102637	NUT, 1/2"-13	1
103323	LOCKWASHER, 1/2"	1
GUARD, GENERATOR DRIVE BELT AND PULLEY		
23505135	GUARD (15.65 L.)	1
120392	WASHER, 1/4"	4
186676	BOLT, 1/4"-20X5/8"	4
5101265	NUT, 1/4"-20 RETAINER	4
BRACKET, GENERATOR DRIVE BELT AND PULLEY GUARD		
5146201	BRACKET	1
5146291	BRACKET	1
5146292	BRACKET	1
5146290	BRACKET	1
8927582	BOLT, 3/8"-16X1.255" (12.9001)	1
186290	BOLT, 3/8"-16X6"	1
191268	BOLT, 1/2"-13X6 1/2" (12.9001)	1
5108436	WASHER, 7/16" (7.1598)	1
5167714	WASHER, 17/32"X7/8"X3/32" (1.7250)	1

DETROIT DIESEL
CUSTOM PARTS CATALOG 02/19/96
20E0200125

PART #	NAME AND DESCRIPTION	QUANTITY
7.1000A - BATTERY, CHARGING GENERATOR		
103341	WASHER, 3/8"	1
103323	LOCKWASHER, 1/2"	1
BRACKET, GENERATOR MOUNTING		
23506703	BRACKET	1
8927581	BOLT, 3/8"-16X1.135" (12.9001)	4
7.3000A - STARTING MOTOR		
MOTOR ASSY., STARTING		
NOTE: SERVICE ON ELECTRICAL EQUIPMENT (*) IN THIS SECTION IS HANDLED THRU A C DELCO.		
1990269	* MOTOR ASSY. (24V., CW, INSULATED)	2
9418228	BOLT, 5/8"-11X1 3/4" 12 POINT (12.9005)	2
103325	LOCKWASHER, 5/8"	6
* NOT SERVICED BY DDC.		
GASKET, STARTING MOTOR		
USED ON UNITS WITH OIL IN FLYWHEEL HOUSING ONLY.		
5130995	GASKET	AR
SWITCH, STARTING MOTOR SOLENOID		
1114533	RELAY ASSY. (24V.) (7.4707)	2
181309	BOLT, 1/4"-28X1/2"	4
103319	LOCKWASHER, 1/4"	4
120392	WASHER, 1/4"	4
7.4000C - SHUTOFF, ALARM SYSTEM AND O.S GOVERNOR		
SWITCH, AIR PRESSURE		
23514175	MONITOR ASSY., CRANKCASE PRESSURE	1
23514431	MONITOR ASSY., CRANKCASE PRESSURE	1
5199575	HOSE, BULK #6X25 FT. (12.8550) (CUT L. 10")	1
5139583	GASKET	1
5113191	FITTING, FEMALE SWIV. 3/8" HOSE 5/8"-18 (12.6692)	2
118750	CONNECTOR, 3/8" INV. FL. TUBE; 1/4" PIPE	1
8924998	ELBOW (90 DEG.)	1
8927580	BOLT 3/8"-16X1.015" (12.9001)	6
PLATE AND DIAPHRAGM ASSY., CRANKCASE PRESSURE MONITOR		
5159347	SPACER, 13/32"X3/4"X1/2" (7.1581)	5
272429	BOLT, 3/8"-16X4 1/8" (12.9001)	5
103321	LOCKWASHER, 3/8"	5

**DETROIT DIESEL
CUSTOM PARTS CATALOG 02/19/98
20E0200125**

PART #	NAME AND DESCRIPTION	QUANTITY
12.6000C - COLD WEATHER STARTING AID		
COVER, CYLINDER BLOCK WATER HOLE COVER		
23511574	PLUG, 1" PIPE SQ. SOC. SCOTCHGRIP	3
23516720	COVER, WATER HOLE WITH 1" N.P.T.F.	3

SEALER, THREADLOCK

2349905	THREADLOCK, MEDIUM (1/2" - 1 1/2")
2349936	THREADLOCK, MEDIUM (1/2" - 1 1/2")
2349937	THREADLOCK, MEDIUM (1/2" - 1 1/2")
2349938	THREADLOCK, MEDIUM (1/2" - 1 1/2")
2349939	THREADLOCK, MEDIUM (1/2" - 1 1/2")
2349940	SEALER, THREAD (1/2")
2349941	SEALER, COMP (1/2")

SEALANT KIT

2349942	SEALANT KIT (1/2")
2349943	SEALANT KIT (1/2")
2349944	SEALANT KIT (1/2")
2349945	SEALANT KIT (1/2")

COOLANT SYSTEM

2349946	COOLANT SYSTEM (1/2")
2349947	COOLANT SYSTEM (1/2")
2349948	COOLANT SYSTEM (1/2")
2349949	COOLANT SYSTEM (1/2")
2349950	COOLANT SYSTEM (1/2")
2349951	COOLANT SYSTEM (1/2")
2349952	COOLANT SYSTEM (1/2")
2349953	COOLANT SYSTEM (1/2")
2349954	COOLANT SYSTEM (1/2")
2349955	COOLANT SYSTEM (1/2")
2349956	COOLANT SYSTEM (1/2")
2349957	COOLANT SYSTEM (1/2")
2349958	COOLANT SYSTEM (1/2")
2349959	COOLANT SYSTEM (1/2")
2349960	COOLANT SYSTEM (1/2")
2349961	COOLANT SYSTEM (1/2")
2349962	COOLANT SYSTEM (1/2")
2349963	COOLANT SYSTEM (1/2")
2349964	COOLANT SYSTEM (1/2")
2349965	COOLANT SYSTEM (1/2")
2349966	COOLANT SYSTEM (1/2")
2349967	COOLANT SYSTEM (1/2")
2349968	COOLANT SYSTEM (1/2")
2349969	COOLANT SYSTEM (1/2")
2349970	COOLANT SYSTEM (1/2")
2349971	COOLANT SYSTEM (1/2")
2349972	COOLANT SYSTEM (1/2")
2349973	COOLANT SYSTEM (1/2")
2349974	COOLANT SYSTEM (1/2")
2349975	COOLANT SYSTEM (1/2")
2349976	COOLANT SYSTEM (1/2")
2349977	COOLANT SYSTEM (1/2")
2349978	COOLANT SYSTEM (1/2")
2349979	COOLANT SYSTEM (1/2")
2349980	COOLANT SYSTEM (1/2")
2349981	COOLANT SYSTEM (1/2")
2349982	COOLANT SYSTEM (1/2")
2349983	COOLANT SYSTEM (1/2")
2349984	COOLANT SYSTEM (1/2")
2349985	COOLANT SYSTEM (1/2")
2349986	COOLANT SYSTEM (1/2")
2349987	COOLANT SYSTEM (1/2")
2349988	COOLANT SYSTEM (1/2")
2349989	COOLANT SYSTEM (1/2")
2349990	COOLANT SYSTEM (1/2")
2349991	COOLANT SYSTEM (1/2")
2349992	COOLANT SYSTEM (1/2")
2349993	COOLANT SYSTEM (1/2")
2349994	COOLANT SYSTEM (1/2")
2349995	COOLANT SYSTEM (1/2")
2349996	COOLANT SYSTEM (1/2")
2349997	COOLANT SYSTEM (1/2")
2349998	COOLANT SYSTEM (1/2")
2349999	COOLANT SYSTEM (1/2")

COOLANT SYSTEM

2349946	CLEANER, COOLANT SYSTEM (10 GAL.) (DD-200-01)
2349947	CLEANER, COOLANT SYSTEM (5 GAL.) (DD-200-11)
2349948	CLEANER, COOLANT SYSTEM (5 GAL.) (DD-200-12)
2349949	CLEANER, COOLANT SYSTEM (5 GAL.) (DD-200-13)
2349950	CLEANER, COOLANT SYSTEM (5 GAL.) (DD-200-14)

ANALYSIS KIT, COOLANT

2349951	ANALYSIS KIT, COOLANT
2349952	TEST KIT, TWO-WAY COOLANT

ADDITIVE, DIESEL FUEL

2349953	ADDITIVE, FUEL (1 PT.) (DD-200-02)
2349954	ADDITIVE, FUEL (5 GAL.) (DD-200-15)
2349955	ADDITIVE, FUEL (5 GAL.) (DD-200-16)
2349956	ADDITIVE, FUEL (1 PT.) (DD-200-03)
2349957	ADDITIVE, FUEL (1 GAL.) (DD-200-17)
2349958	ADDITIVE, FUEL (5 GAL.) (DD-200-18)

ANALYSIS KIT, FUEL

2349959	ANALYSIS KIT, FUEL
---------	--------------------

**DETROIT DIESEL
CUSTOM PARTS CATALOG**

PART#	NAME AND DESCRIPTION	QTY
12.8000A - SUPPLIES		
COMPOUND, THREAD LUBRICATING		
5198563	INTERNATIONAL COMPOUND #2 (5 GALLON CAN)	
23509545	SEAL, ANTI-SEIZE HEAT & RUST (1 LB.)	
SEALER, THREADLOCK		
23509535	THREADLOCK, MEDIUM STRENGTH (50 ML.)	
23509536	THREADLOCK, MEDIUM STRENGTH (10 ML.)	
23509537	THREADLOCK 262, HIGH STRENGTH (10 ML.)	
23509538	THREADLOCK, HIGH STRENGTH (50 ML.)	
23509539	THREADLOCK 290, HIGH STRENGTH (10 ML.)	
23509542	SEALER, THREAD (50 ML.)	
23509544	SEALER, COMPOUND (50 ML.)	
SEALANT, RTV		
23509540	SEALANT, GASKET ELIMINATOR (50 ML.)	
23509541	SEALANT, GASKET ELIMINATOR (300 ML.)	
23509543	SEALANT, ULTRA BLUE RTV (3 OZ.)	
23509603	SEALANT, BLACK RTV (11 OZ.)	
ADDITIVES, SUPPLEMENTAL COOLANT		
23507854	SUPPLEMENTAL COOLANT ADDITIVE (1 PT.) (DD-3000-P)	
23507855	SUPPLEMENTAL COOLANT ADDITIVE (1/2 GAL.) (DD-3000-HG)	
23507856	SUPPLEMENTAL COOLANT ADDITIVE (5 GAL.) (DD-3000-11)	
23507857	SUPPLEMENTAL COOLANT ADDITIVE (55 GAL.) (DD-3000-15)	
23507858	SUPPLEMENTAL COOLANT ADDITIVE (1 PT.) (DD-2000-P)	
23507859	SUPPLEMENTAL COOLANT ADDITIVE (1/2 GAL.) (DD-2000-HG)	
23507860	SUPPLEMENTAL COOLANT ADDITIVE (5 GAL.) (DD-2000-11)	
23507861	SUPPLEMENTAL COOLANT ADDITIVE (55 GAL.) (DD-2000-15)	
23512138	PRECHARGED COOLANT (1 GAL.)	
23512139	PRECHARGED COOLANT (55 GAL.)	
23512140	PRECHARGED COOLANT (BULK)	
CLEANER, COOLANT SYSTEM		
23507862	CLEANER, COOLANT SYSTEM (1/2 GAL.) (DD-2001-HG)	
23507863	CLEANER, COOLANT SYSTEM (5 GAL.) (DD-2001-11)	
23507864	CLEANER, COOLANT SYSTEM (55 GAL.) (DD-2001-15)	
23507867	CLEANER, COOLANT SYSTEM (TWIN PACK) (DD-2015-49)	
ANALYSIS KIT, COOLANT		
23516921	ANALYSIS KIT, COOLANT	
23515917	TEST STRIP, TWO-WAY COOLANT	
ADDITIVES, DIESEL FUEL		
23507868	ADDITIVES, FUEL (1 PT.) (DD-2020-P)	
23507869	ADDITIVES, FUEL (5 GAL.) (DD-2020-11)	
23507870	ADDITIVES, FUEL (55 GAL.) (DD-2020-15)	
23507871	ADDITIVES, FUEL (1 PT.) (DD-1000-P)	
23507872	ADDITIVES, FUEL (5 GAL.) (DD-1000-11)	
23507873	ADDITIVES, FUEL (55 GAL.) (DD-1000-15)	
ANALYSIS KIT, FUEL		
23516922	ANALYSIS KIT, FUEL	

**DETROIT DIESEL
CUSTOM PARTS CATALOG**

PART#	NAME AND DESCRIPTION	QUANTITY	UNIT
12.8000A - SUPPLIES			
PAINT, ENGINE TOUCH-UP			
5194974	PAINT (12 OZ. SPRAY CAN) (ALPINE GREEN)		
5149634	PAINT (12 OZ. SPRAY CAN) (GRAY)		
5149635	PAINT (12 OZ. SPRAY CAN) (GOLD)		
5149996	PAINT (12 OZ. SPRAY CAN) (SILVER)		
5149633	PAINT (12 OZ. SPRAY CAN) (ALUM. PRIMER)		
8929666	PAINT (12 OZ. SPRAY CAN) (BLUE)		
8929668	PAINT (12 OZ.) (CLEAR)		
5149740	PAINT (1 GALLON) (ALUM. PRIMER)		
5149739	PAINT (1 GALLON) (METAL GRAY)		
5194975	PAINT (1 GALLON) (ALPINE GREEN)		
5149997	PAINT (1 GALLON) (SILVER)		
23511690	PAINT (1 GALLON) (WHITE ENAMEL: MARINE)		
8929665	PAINT (1 GALLON) (BLUE)		
8929667	PAINT (1 GALLON) (CLEAR)		
OIL, ENGINE LUBRICATING			
23513856	1 GAL. DELVAC 1230D 2 CYL ENG		
23512733	5 GAL. DELVAC 1230D 2 CYL ENG		
23512737	55 GAL. DELVAC 1230D 2 CYL ENG		
23512699	BULK DELVAC 1230D 2 CYL ENG		
23512701	1 GAL. DELVAC 1240D 2 CYL ENG		
23512734	5 GAL. DELVAC 1240D 2 CYL ENG		
23512702	55 GAL. DELVAC 1240D 2 CYL ENG		
23512739	BULK DELVAC 1240D 2 CYL ENG		
23512735	5 GAL. DELVAC 1250D 2 CYL ENG		
23512738	55 GAL. DELVAC 1250D 2 CYL ENG		
23512700	BULK DELVAC 1250D 2 CYL ENG		
23512703	1 GAL. DELVAC 1300 SUPER 4 CYL ENG		
23512741	5 GAL. DELVAC 1300 SUPER 4 CYL ENG		
23512704	55 GAL. DELVAC 1300 SUPER 4 CYL ENG		
23509885	1 GAL. DELVAC MEO 40 METHANOL ENG		
23509886	5 GAL. DELVAC MEO 40 METHANOL ENG		
23509887	55 GAL. DELVAC MEO 40 METHANOL ENG		
23509888	BULK DELVAC MEO 40 METHANOL ENG		
80W90P	35 LB. PAIL MOBILUBE HD 80W90		
80W90K	120 LB. KEG MOBILUBE HD 80W90		
80W90D	400 LB. DRUM MOBILUBE HD 80W90		
85W140P	35 LB. PAIL MOBILUBE HD 85W140		
85W140K	120 LB. KEG MOBILUBE HD 85W140		
85W140D	400 LB. DRUM MOBILUBE HD 85W140		
75W90P	35 LB. PAIL MOBILUBE SHC 75W90		
75W90K	120 LB. KEG MOBILUBE SHC 75W90		
75W90D	400 LB. DRUM MOBILUBE SHC 75W90		
80W140P	35 LB. PAIL MOBILUBE SHC 80W140		
80W140K	120 LB. KEG MOBILUBE SHC 80W140		
80W140D	400 LB. BARREL MOBILUBE SHC 80W140		
SHC50P	35 LB. PAIL MOBILTRANS SHC 50		
SHC50K	120 LB. KEG MOBILTRANS SHC 50		
SHC50D	375 LB. DRUM MOBILTRANS SHC 50		
ATFQUART	12 QUART MOBIL MULTI-PURPOSE ATF		
AFTGAL	1 GAL. PAIL MOBIL MULTI-PURPOSE ATF		
ATFDRUM	55 GAL. MOBIL MULTI-PURPOSE ATF		
ATFBULK	BULK MOBIL MULTI-PURPOSE ATF		
GREASEC	60X14 OZ. CARTRIDGES MOBILGREASE SPECIAL		
GREASEK	120 LB. KEG MOBILGREASE SPECIAL		
GREASED	400 LB. DRUM MOBILGREASE SPECIAL		
OIL, ENGINE LUBRICATING			
HPCART	60X14 OZ. CARTRIDGES MOBILGREASE HP		
HPKEG	120 LB. KEG MOBILGREASE HP		
HPDRUM	400 LB. DRUM MOBILGREASE HP		
MOBIL424	55 GAL. MOBILFLUID 424		

DETROIT DIESEL

CORPORATION



13400 Outer Drive, West / Detroit, Michigan 48239-4001