

Service Parts

Engine

Engine Models:

Deutz F3M1011F

F4M1011F

BF4M1011F

Generator Models:

20-40 kW

Table of Contents

Introduction	1
Numbering System Significance	1
Illustrations	1
How to Find Part Numbers	1
Hardware References	1
Specification Number Index	2
Group 1: Crankcase	4
Group 2: Oil Pan	6
Group 5: Flywheel and Crankshaft	8
Group 6: Connecting Rod	10
Group 7: Piston	11
Group 8: Cylinder Head	12
Group 10: Camshaft	14
Group 11: Rocker Arms and Push Rods	15
Group 14: Lube Oil Pump	16
Group 15: Lube Oil Cooler	17
Group 16: Oil Intake Pipe	18
Group 17: Fuel Injection Pump	20
Group 19: Fuel Injector	22
Group 20: Fuel Pump and Fuel Filter	24
Group 21: Fuel Pipes	26
Group 22: Air Intake	28
Group 27: Speed Control	30
Group 33: Air Compressor	32
Group 41: Exhaust Manifold	34
Group 43: Turbocharger	36
Group 44: Alternator and Starter	38
Group 46: Engine Mounting	40
Group 48: Electrical Accessories	41
Group 52: Flywheel Housing	42
Group 56: Engine Shutdown	43

Introduction

This manual lists service replacement parts for 20–40 kW generator sets.

At the time of print this manual applied to the generator set specification (spec) numbers listed in the Specification Number Index. On occasion this manual may apply to specs not listed in the Specification Number Index.

Information in this publication represents data available at the time of print. The factory reserves the right to change this publication and the products represented without notice and without any obligation or liability whatsoever.

This manual includes the following main sections:

Table of Contents. Lists the sections of the manual.

Introduction (and other information sections). Contains introductory material about part numbers, illustrations, and hardware.

Index. Lists the generator set specs and groups.

Group Parts Lists. List the part numbers of parts in the groups.

Kit Sections. List modules and accessories and their parts.

Appendices. Include Abbreviations, Common Hardware Application Guidelines, General Torque Specifications, Common Hardware Identification, and Common Hardware List.

xin:004:002

Numbering System Significance

This manual uses the following numbering systems:

Specification Number. A six-digit number with a PA-prefix. The Specification Number Index does not show the prefix. Spec numbers break down into groups.

Group Number. A unique number representing a parts group needed to assemble a generator set function. For example, Group 101 is the Air Intake group.

Variation or Module Number. A group might have several variations. Each variation performs the same function with different parts lists. For example, a 50 Hz generator alternator and 60 Hz generator alternator both perform the same function, however, with different parts. Each difference requires a group variation or module number.

Part Number. The part number identifies an individual assembly, subassembly, component, or accessory kit.

xin:004:003

Illustrations

Illustrations (or exploded-view drawings) best representing the widest range of variations accompany most groups in this manual. Illustrations do not depict all details and may not show all parts. Do not use illustrations for assembly or disassembly instructions.

xin:004:004

How to Find Part Numbers

Use the following steps to locate a service replacement part.

1. Locate the generator set nameplate to **identify the generator set spec number**.
2. Locate a second generator set nameplate listing accessories to **identify installed modules**. On some models the accessory nameplate is mounted inside the generator junction box.
3. **Turn to the Specification Number Index**. The first column lists the generator set spec numbers. The headings identify the groups of parts that make up the generator set.
4. **Identify the group** most likely to include the service part number.
5. **Find the group variation number** at the intersection of the spec number row and the group column. Note the variation number.
6. **Page forward to locate the group** identified in step 4 or find the appropriate page in the Table of Contents.
7. **Find the part on the illustration** and note the item number of the part or **find the part description in the parts list**.
8. Select **the part number that corresponds to your group variation**. The first column lists the illustration item number. Find the variation identified in the Specification Number Index or the module number found on the generator set nameplate in the appropriate column on the right side of the parts list table. Find the quantity used at the intersection of the item number row and the variation column. A blank space at the intersection means the variation/module does not use that part number.

xin:004:005

Hardware References

Many common hardware items do not appear in parts manuals or will appear as common hardware entries. A common hardware entry lists the size of the hardware. For example, an item that appears as “Hardware, 3/8-16” in the text means that the piece is 3/8-16 size. Obtain common hardware locally or, if contacting the factory, use the Common Hardware List in the appendix to identify the common hardware part number and specifications. See Common Hardware Application Guidelines in the appendix for mating hardware instructions.

Some hardware items require a specific size or some other characteristic. In that case, use the part number listed in the text.

When replacing hardware, do not substitute inferior grade hardware. Replacement hardware grade should be equal to or better than the grade of the manufacturer’s original hardware. Use the Common Hardware List in the appendix to identify the common hardware hardness.

xin:004:006

Specification Number Index

Group Title	<i>Crankcase</i>	<i>Oil Pan</i>	<i>Flywheel and Crankshaft</i>	<i>Connecting Rod</i>	<i>Piston</i>	<i>Cylinder Head</i>	<i>Camshaft</i>	<i>Rocker Arms</i>	<i>Lube Oil Pump</i>	<i>Lube Oil Cooler</i>	<i>Oil Intake Pipe</i>	<i>Fuel Injection Pump</i>	<i>Fuel Injector</i>
Group No.	1	2	5	6	7	8	10	11	14	15	16	17	19
	Variation Number												

Engine Model													
F3M1011F	1	1	1	1	1	1	1	1	1	1	1	1	1
F4M1011F	2	2	2	1	1	2	2	1	2	1	2	1	1
BF4M1011F	3	2	2	2	2	3	3	1	2	1	3	1	2

x.in:004:007a

Group Title	<i>Fuel Pump and Fuel Filter</i>	<i>Fuel Pipes</i>	<i>Air Intake</i>	<i>Speed Control</i>	<i>Cooling System</i>	<i>Water Pump</i>	<i>Water Pipes</i>	<i>Cooling Fan</i>	<i>Exhaust Manifold</i>	<i>Turbocharger</i>	<i>Alternator and Starter</i>	<i>Engine Mounting</i>	<i>Electrical Accessories</i>
Group No.	20	21	22	27	36	37	38	39	41	43	44	46	48
	Variation Number												

Engine Model													
F3M1011F	1	1	1	1	—	—	—	—	1	—	1	—	1
F4M1011F	1	2	2	2	—	—	—	—	2	—	1	1	1
BF4M1011F	1	3	3	2	—	—	—	—	3	1	1	—	2

— Not applicable.

x.in:004:007a

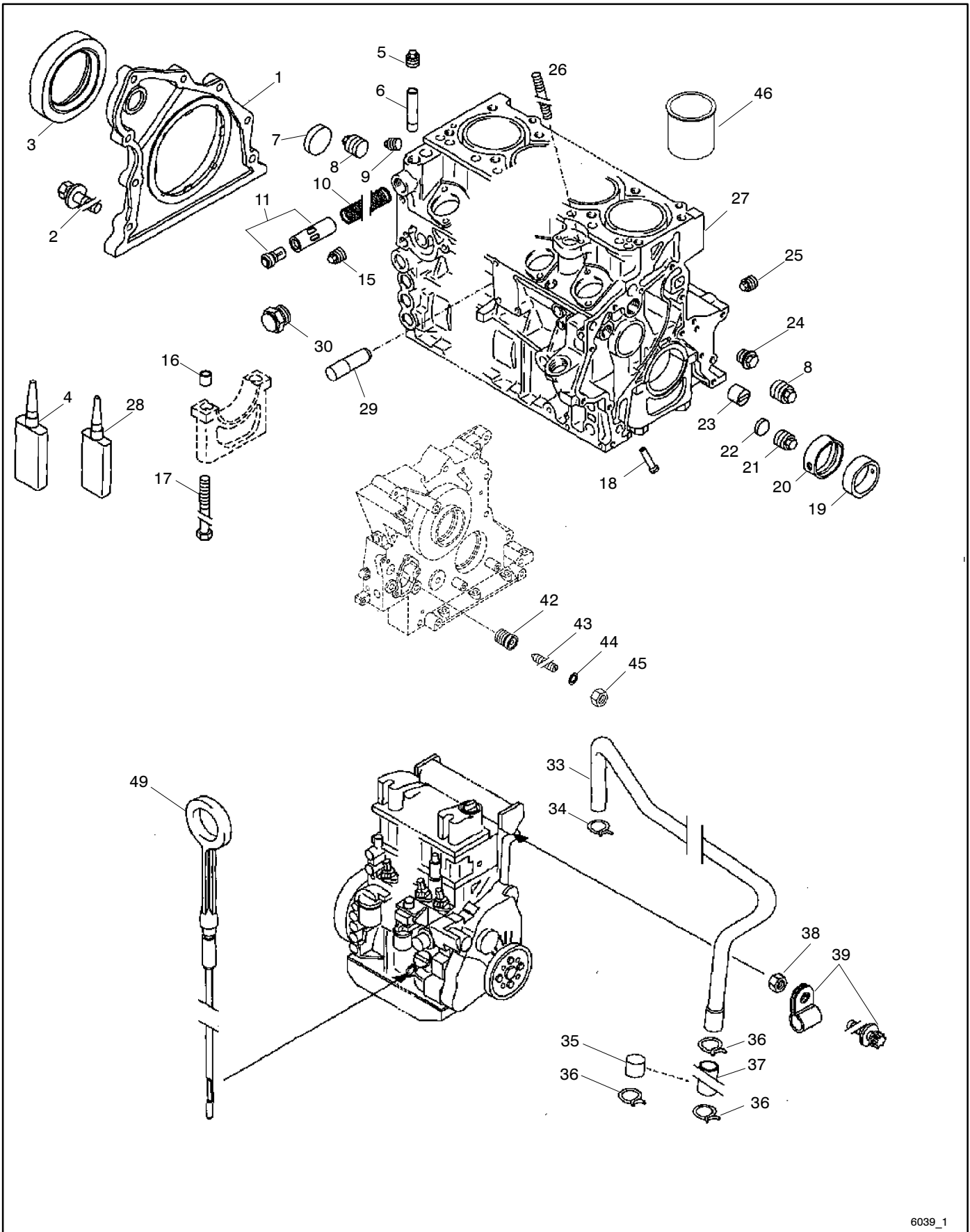
Specification Number Index

Group Title	<i>Flywheel Housing</i>	
	<i>Engine Shutdown</i>	
Group No.	52	56
	Variation	

Engine Model		
F3M1011F	1	1
F4M1011F	1	1
BF4M1011F	1	1

xin:004:007a

Group 1: Crankcase



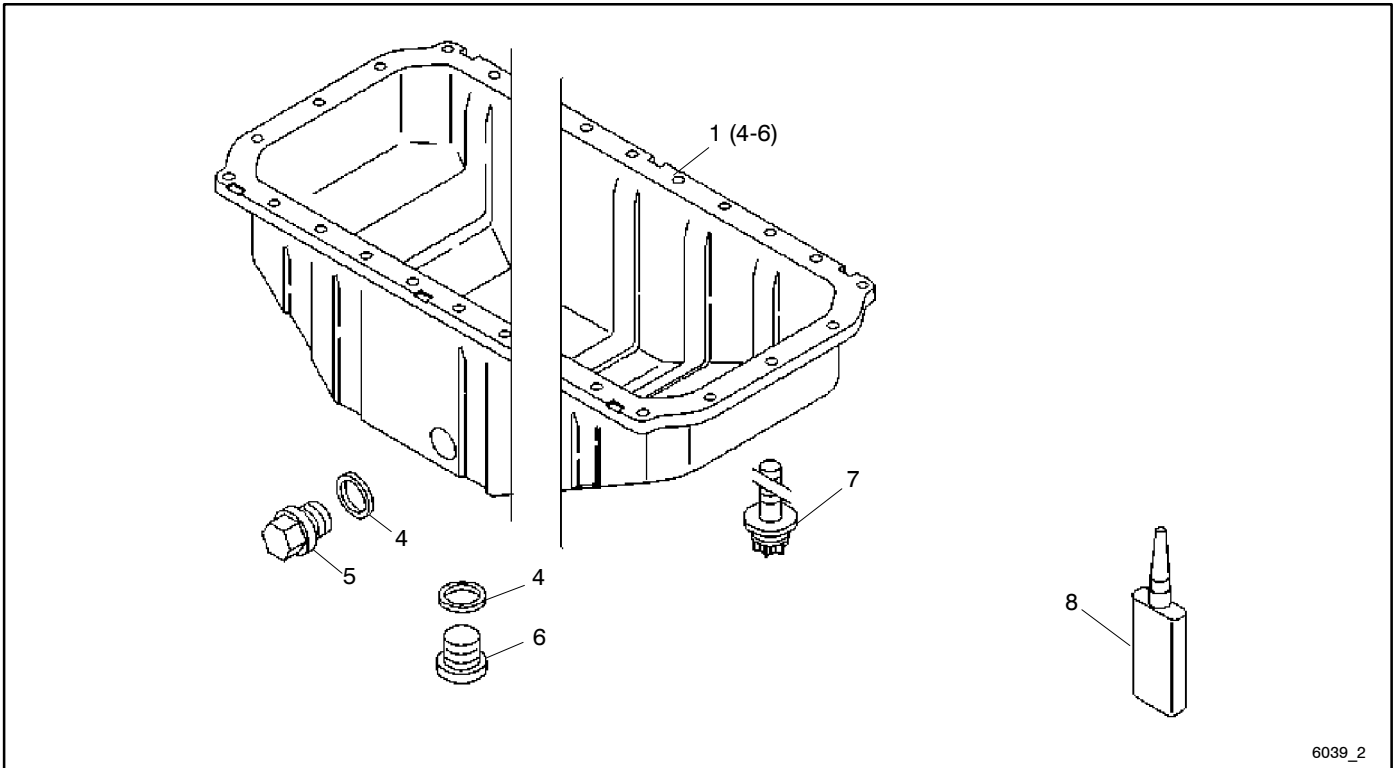
6039_1

Group 1: Crankcase

Item	Part Number	Description	Quantity		
			Variation Number		
			1	2	3
1	GM12924	Rear end cover	1	1	1
2	*	Hexagon bolt	8	8	8
3	GM12921	Rotating shaft lip seal	1	1	1
4	*	Packing compound	1	1	1
5	*	Screw plug	1	1	1
6	*	Tube	1	1	1
7	*	Cover	1	1	1
8	*	Screw plug	2	2	2
9	*	Screw plug	1	1	1
10	*	Compression spring	1	1	1
11	GM12970	Thermostat	1	1	1
15	*	Screw plug	1	1	1
16	*	Bush	8	10	10
17	*	Hexagon bolt	8	10	10
18	*	Piston cooling nozzle	6	8	8
19	GM12936	Wrapped bearing bush	2	3	3
20	GM12937	Wrapped bearing bush	2	2	2
21	*	Screw plug	1	2	2
22	*	Cover	1	1	1
23	*	Guide sleeve	2	2	2
24	*	Screw plug	1	1	1
25	*	Screw plug	1	1	1
26	*	Stud	6	8	8
27	*	Engine block			1
27	*	Engine block		1	
27	*	Engine block	1		
28	*	Safety/locking agent	1	1	1
28	GM12641	Safety/locking agent	1	1	1
29	*	Pin		1	1
30	*	Screw plug	1	1	1
33	*	Breather pipe			1
34	*	Hose clip			1
35	*	Cap	1	1	
36	*	Hose clip	1	1	2
37	*	Hose			1
38	*	Hexagon nut			1
39	*	Pipe clamp			1
39	*	Hexagon bolt			2
39	*	Bracket			1
42	*	Screwed bush	1	1	1
43	GM12676	Set screw	1	1	1
44	*	Sealing ring	1	1	1
45	GM12657	Hexagon nut	1	1	1
46	GM12954	Cylinder liner	3	4	4
49	GM13175	Dipstick	1		
49	*	Dipstick		1	1

* Contact factory Service Parts Department

Group 2: Oil Pan



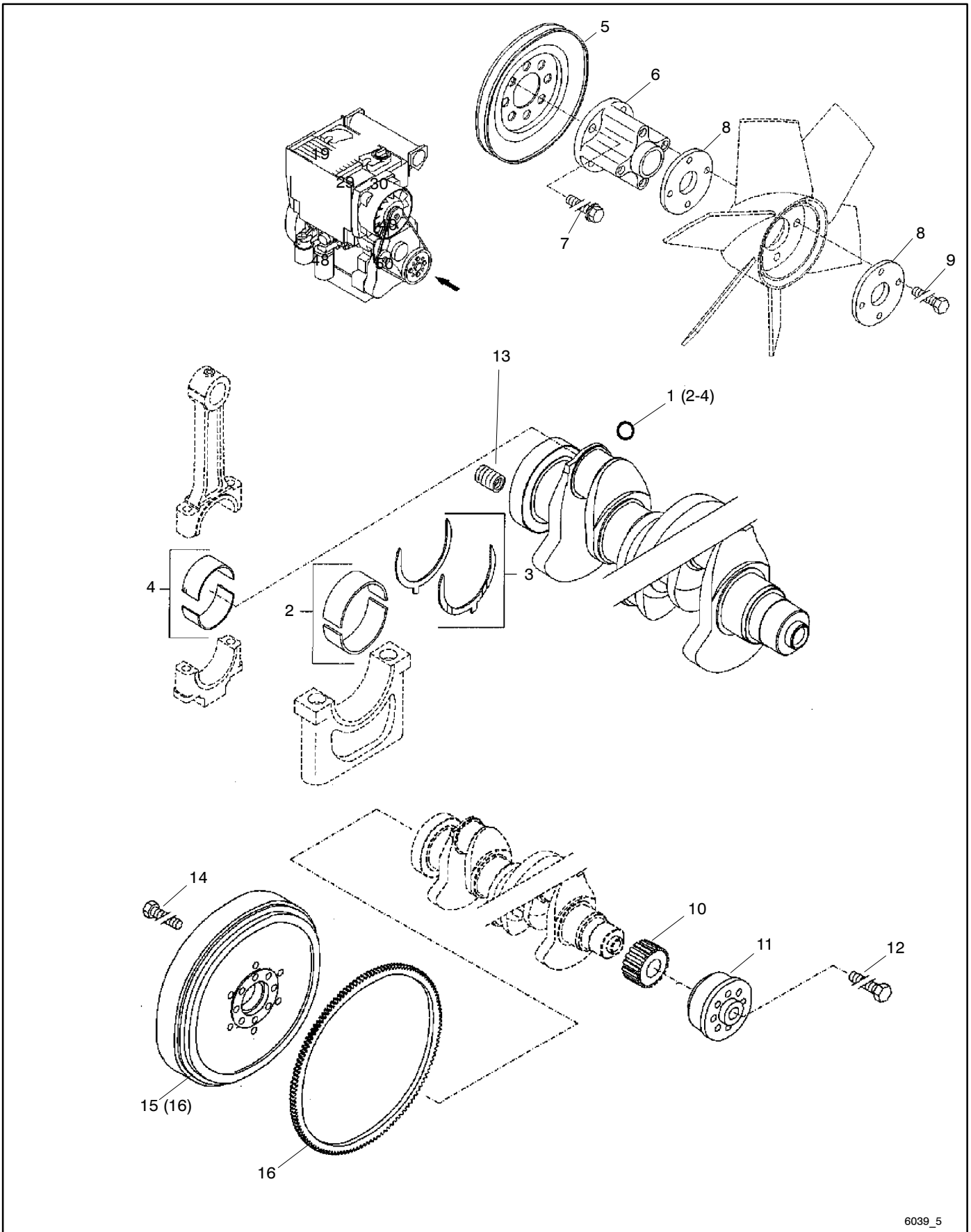
6039_2

Item	Part Number	Description	Quantity	
			Variation Number	
			1	2
1	*	Oil pan	1	
1	*	Oil pan		1
4	GM12667	Sealing ring	1	2
5	*	Screw plug	1	
5	GM12678	Screw plug		1
6	GM12697	Screw plug		1
7	*	Torx-head bolt	22	26
8	*	Packing compound	1	1

* Contact factory Service Parts Department

Notes

Group 5: Flywheel and Crankshaft



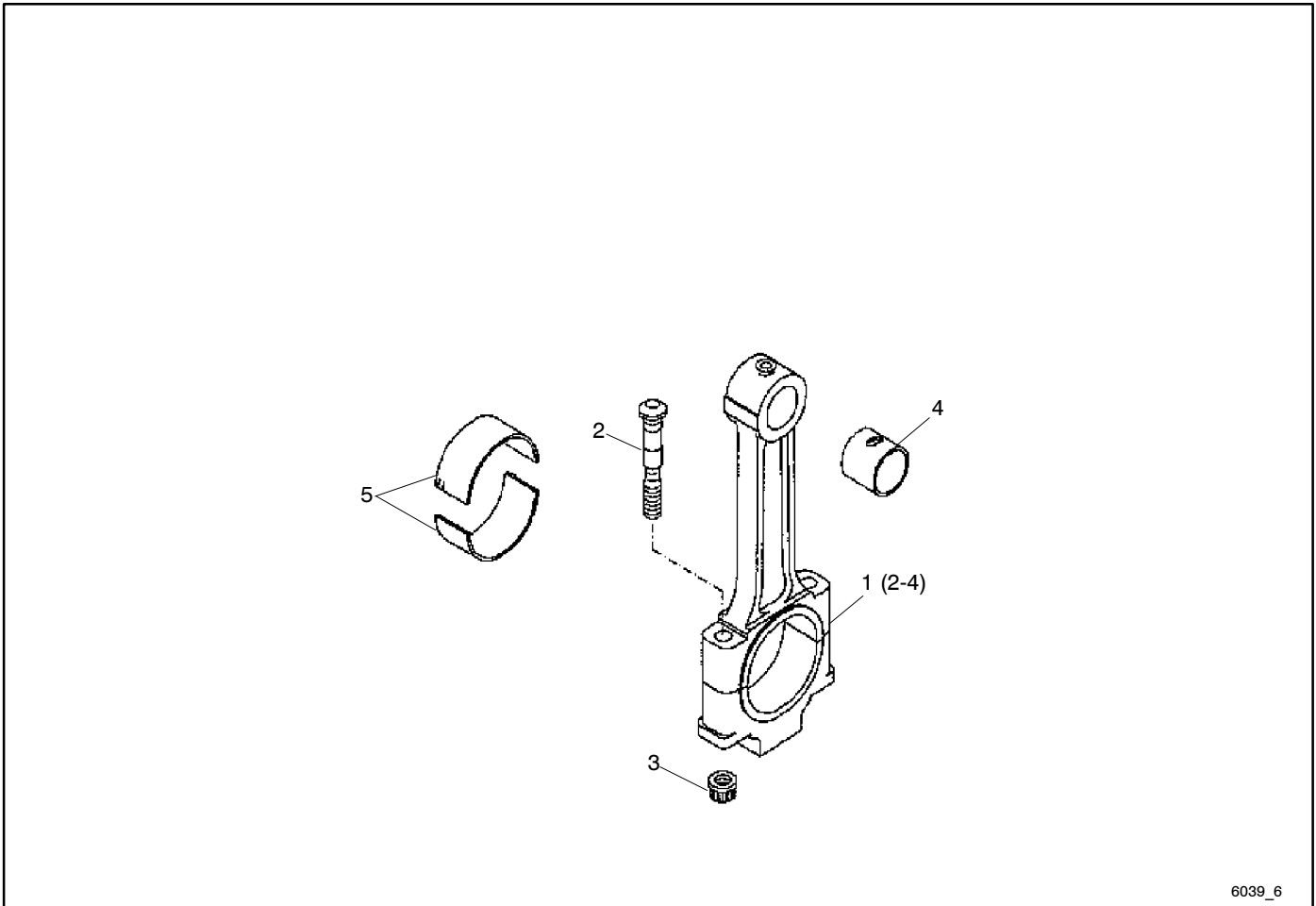
6039_5

Group 5: Flywheel and Crankshaft

Item	Part Number	Description	Quantity	
			Variation Number	
			1	2
1	*	Crankshaft		1
1	*	Crankshaft	1	
2	GM13165	Main bearing	4	5
2	GM13166	Main bearing 1st undersize	4	5
2	GM13167	Main bearing 2nd undersize	4	5
3	GM12875	Thrust washer	1	1
3	GM12876	Thrust washer 1st oversize	1	1
4	GM13168	Big end bearing	3	
4	*	Big end bearing		4
4	GM13169	Big end bearing 1st undersize	3	
4	*	Big end bearing 1st undersize		4
4	GM13170	Big end bearing 2nd undersize	3	
4	*	Big end bearing 2nd undersize		4
5	*	V-grooved pulley	1	1
6	*	Flanged hub	1	1
7	*	Hexagon bolt	4	4
8	*	Plain washer	2	2
9	*	Hexagon bolt	4	4
10	*	Hexagon bolt		1
11	*	Synchronizing belt pulley		1
12	GM12920	Output flange		1
13	*	Threaded insert	1	1
14	GM12852	Screw/bolt	8	8
15	*	Flywheel	1	1
16	GM12952	Gear rim	1	1

* Contact factory Service Parts Department

Group 6: Connecting Rod

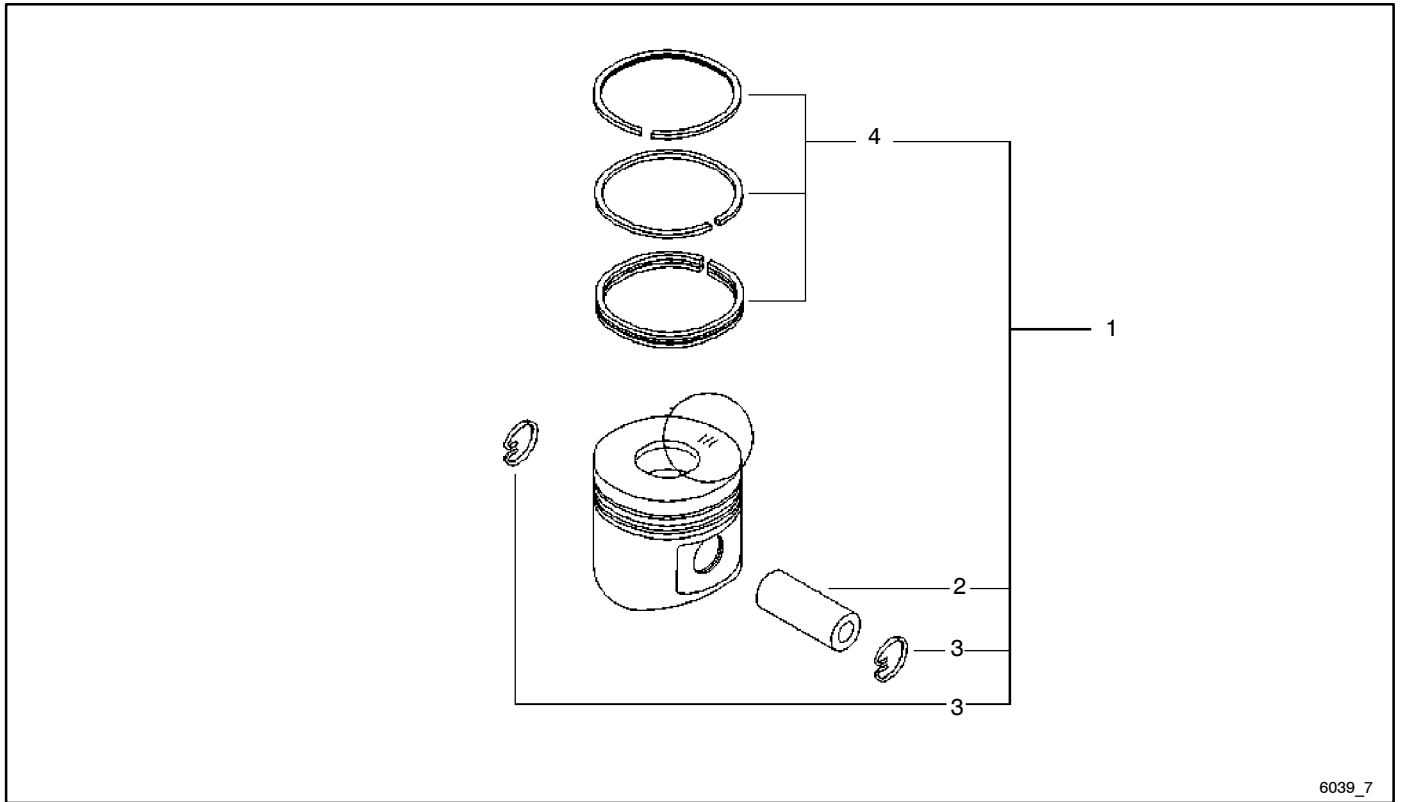


6039_6

Item	Part Number	Description	Quantity	
			Variation Number	
			1	2
1	GM12950	Connecting rod	1	
1	*	Connecting rod		1
2	GM12949	Big end bolt	2	2
3	GM12842	Nut	2	2
4	GM12843	Big end bush standard	1	
4	*	Big end bush oversize	1	
4	*	Big end bush standard		1
4	*	Big end bush oversize		1
5	*	Big end bearing standard	1	
5	*	Big end bearing 1st undersize	1	
5	*	Big end bearing 2nd undersize	1	
5	*	Big end bearing standard		1
5	*	Big end bearing 1st undersize		1
5	*	Big end bearing 2nd undersize		1

* Contact factory Service Parts Department

Group 7: Piston

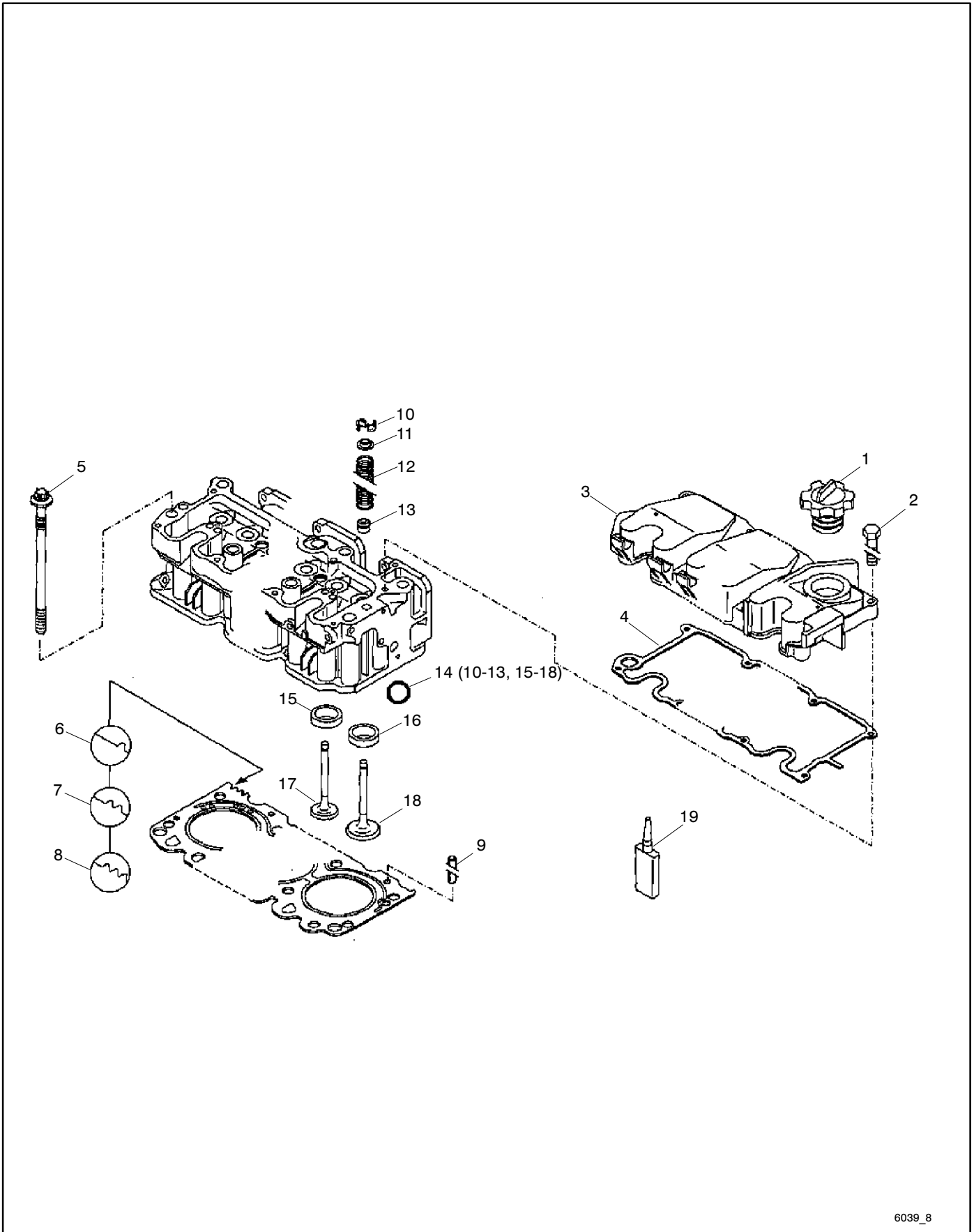


6039_7

Item	Part Number	Description	Quantity	
			Variation Number 1	Variation Number 2
1	GM13181	Piston		1
1	GM13189	Piston	1	
2	*	Piston pin		1
2	GM12841	Piston pin	1	
3	*	Snap ring		2
3	GM12685	Snap ring	2	
4	GM13180	Set of piston rings		1
4	GM12955	Set of piston rings	1	

* Contact factory Service Parts Department

Group 8: Cylinder Head



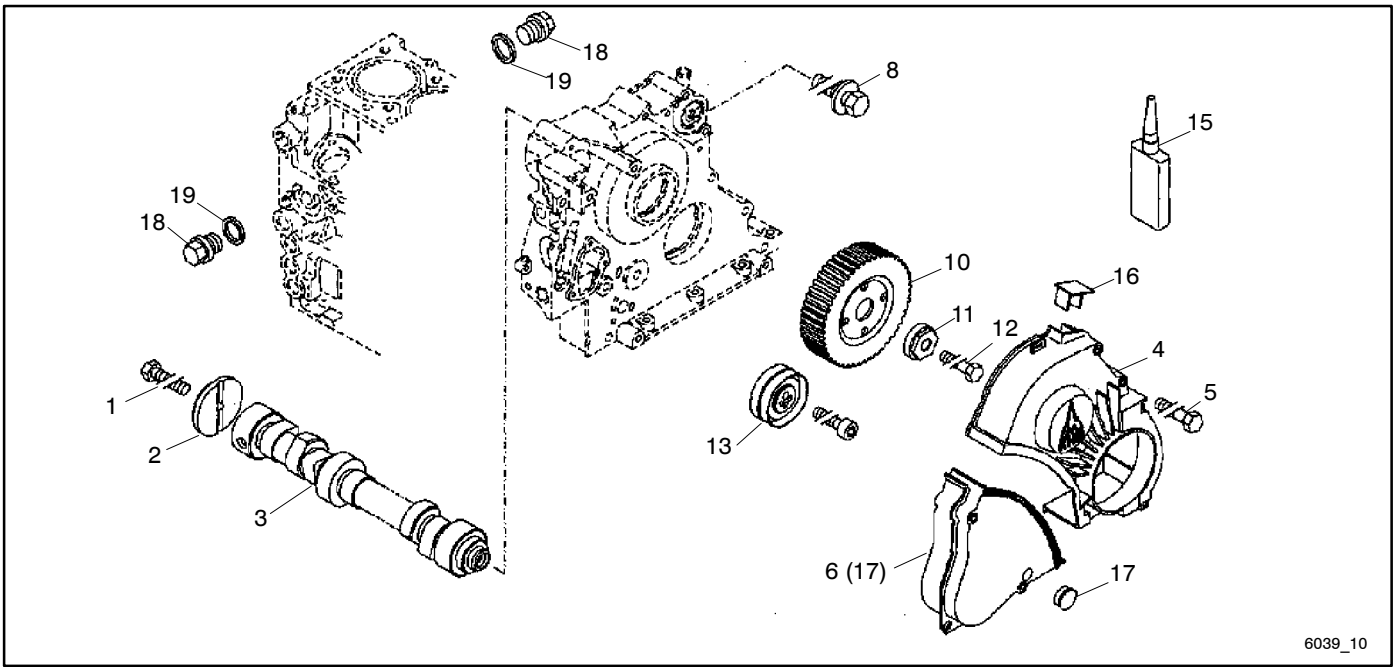
6039_8

Group 8: Cylinder Head

Item	Part Number	Description	Quantity		
			Variation Number		
			1	2	3
1	GM12951	Filler cap	1	1	1
2	GM12693	Hexagon bolt	8	10	10
3	GM13163	Cylinder head cover	1		
3	GM13162	Cylinder head cover		1	1
4	GM12968	Gasket	1		
4	GM12969	Gasket		1	1
5	GM13185	Cylinder head bolt	8	10	10
6	*	Cylinder head gasket		1	1
6	GM13192	Cylinder head gasket	1		
7	*	Cylinder head gasket		1	1
7	GM13191	Cylinder head gasket	1		
8	*	Cylinder head gasket		1	1
8	GM13190	Cylinder head gasket	1		
9	GM12944	Spiral pin	2	2	2
10	GM12845	Valve collet	12	16	16
11	GM12844	Spring cap	6	8	8
12	GM12960	Compression spring	6	8	8
13	GM12903	Valve stem seal	6	8	8
14	*	Cylinder head			1
14	*	Cylinder head		1	
14	*	Cylinder head	11		
15	GM12935	Valve seat insert			4
15	GM12919	Valve seat insert	3	4	
16	*	Valve seat insert			4
16	GM12935	Valve seat insert	3	4	
17	GM12907	Inlet valve seat insert 1st oversize	3	4	4
17	*	Inlet valve			4
17	*	Inlet valve	3	4	
18	GM12847	Exhaust valve seat insert 1st oversize	3	4	4
18	GM12910	Exhaust valve	3	4	4
19	GM12640	Safety/locking agent	1	1	1

* Contact factory Service Parts Department

Group 10: Camshaft

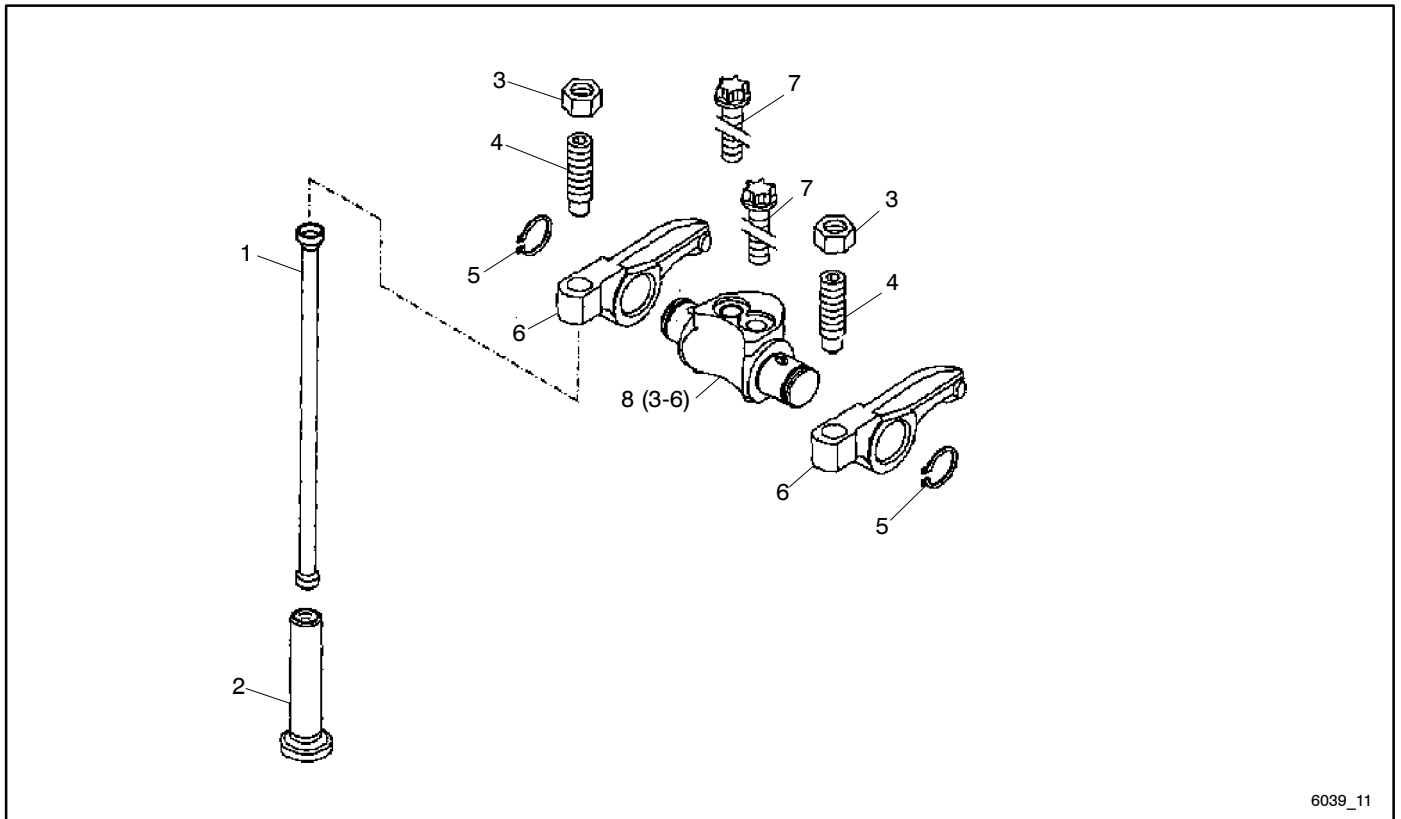


6039_10

Item	Part Number	Description	Quantity		
			1	2	3
1	GM12686	Hexagon bolt	1	1	1
2	GM12915	Thrust washer	1	1	1
3	GM12959	Camshaft			1
3	GM13195	Camshaft	1		
3	*	Camshaft		1	
4	GM12963	Protection hood	1	1	1
5	GM12651	Hexagon bolt	4	4	4
6	GM13193	Protection hood	1	1	1
8	GM12750	Hexagon bolt	11	11	11
10	GM12918	Synchronizing belt pulley	1	1	1
11	GM12846	Plain washer	1	1	1
12	GM12760	Hexagon bolt	1	1	1
13	*	Repair kit	1	1	1
15	GM12637	Packing compound	1	1	1
16	GM13184	Plug	1	1	1
17	GM12735	Plug	1	1	1
18	*	Screw plug	2	2	2
19	GM12660	Sealing ring	2	2	2

* Contact factory Service Parts Department

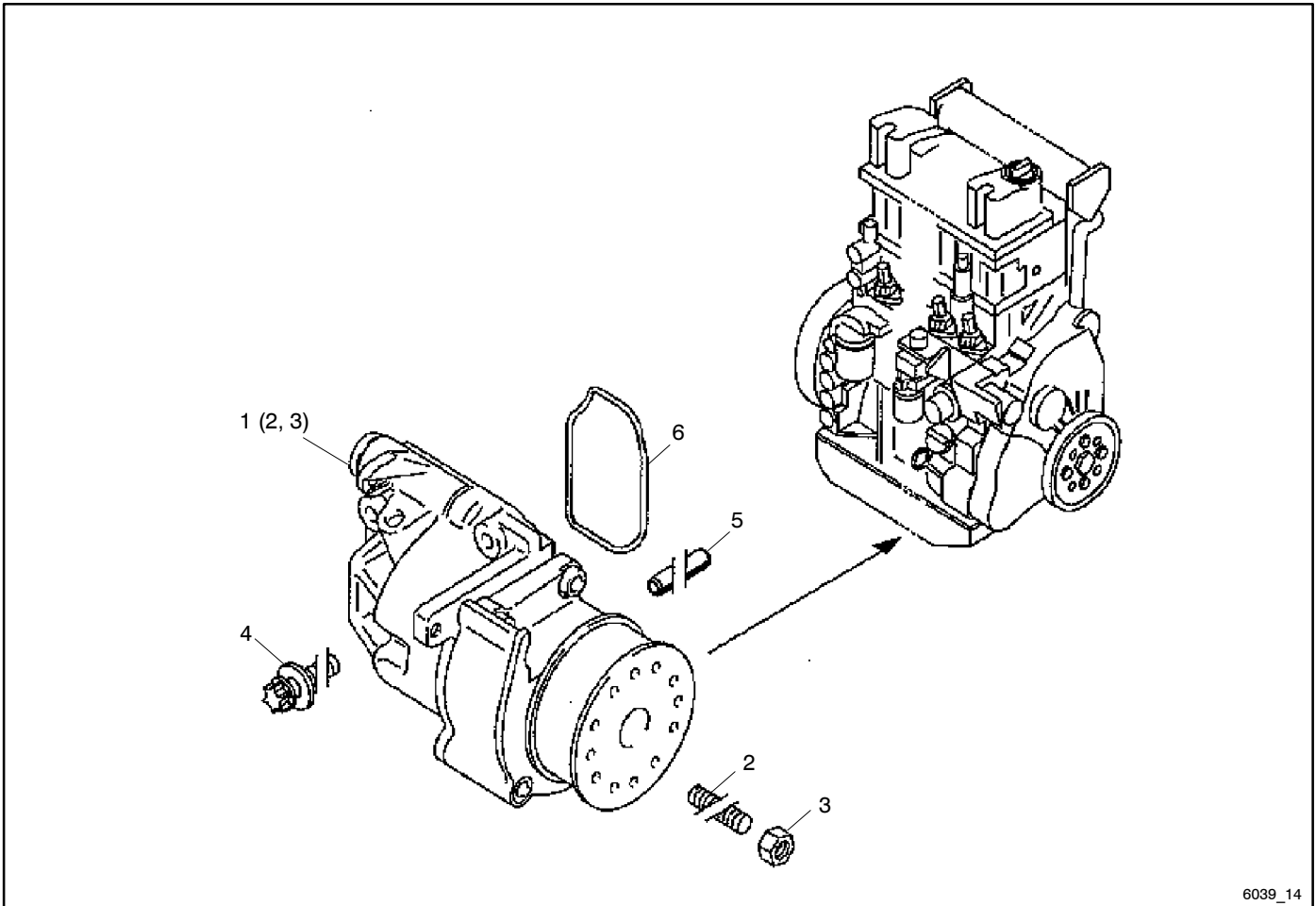
Group 11: Rocker Arms and Push Rods



6039_11

Item	Part Number	Description	Quantity
			Variation Number
1	GM12848	Pushrod	2
2	GM12934	Valve tappet	2
3	GM12851	Hexagon nut	2
4	GM12850	Adjusting screw	2
5	GM12647	Circlip	2
6	GM12849	Rocker arm	2
7	GM12749	Torx-head bolt	2
8	GM12917	Rocker arm bracket	1

Group 14: Lube Oil Pump

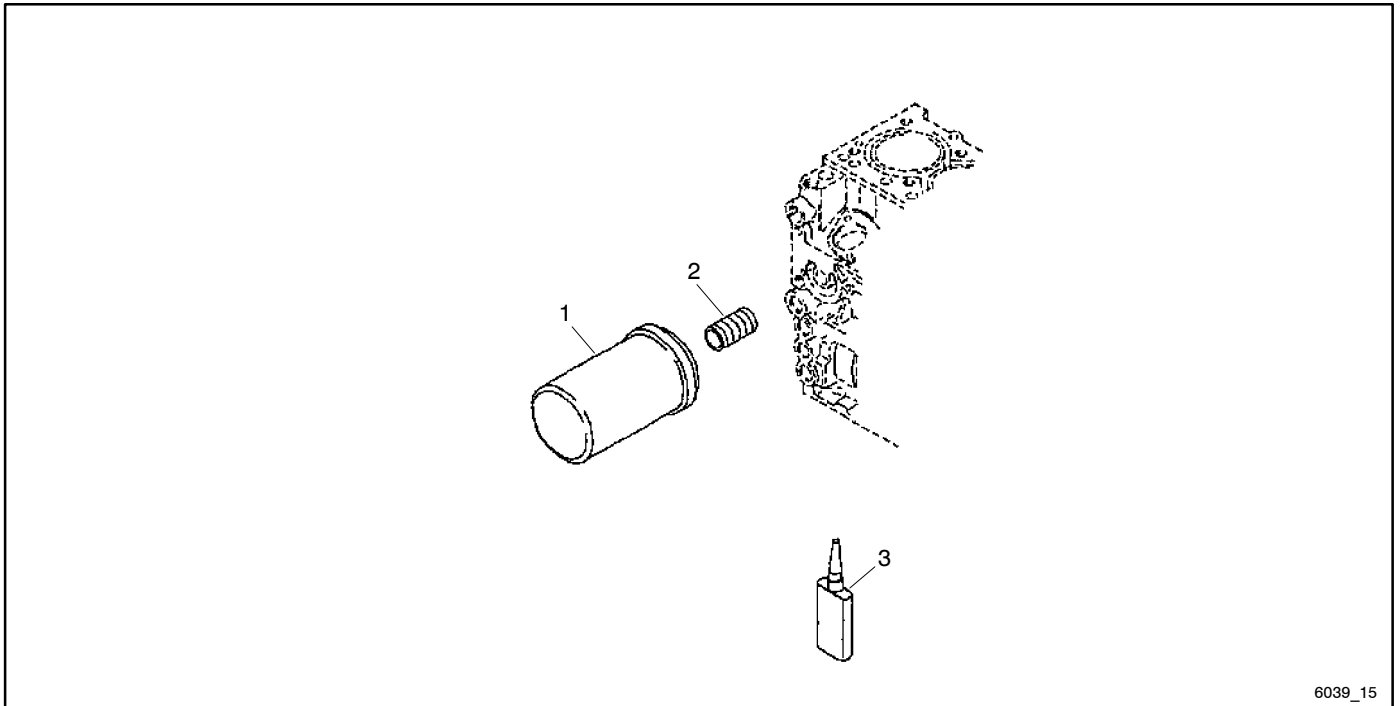


6039_14

Item	Part Number	Description	Quantity	
			Variation Number	
			1	2
1	*	Lube oil pump	1	
1	*	Lube oil pump		1
2	GM12676	Set screw	1	1
3	*	Hexagon nut	1	1
4	GM12751	Torx-head bolt	4	4
5	GM12945	Spiral pin	2	2
6	GM12948	Sealing ring	1	1

* Contact factory Service Parts Department

Group 15: Lube Oil Cooler

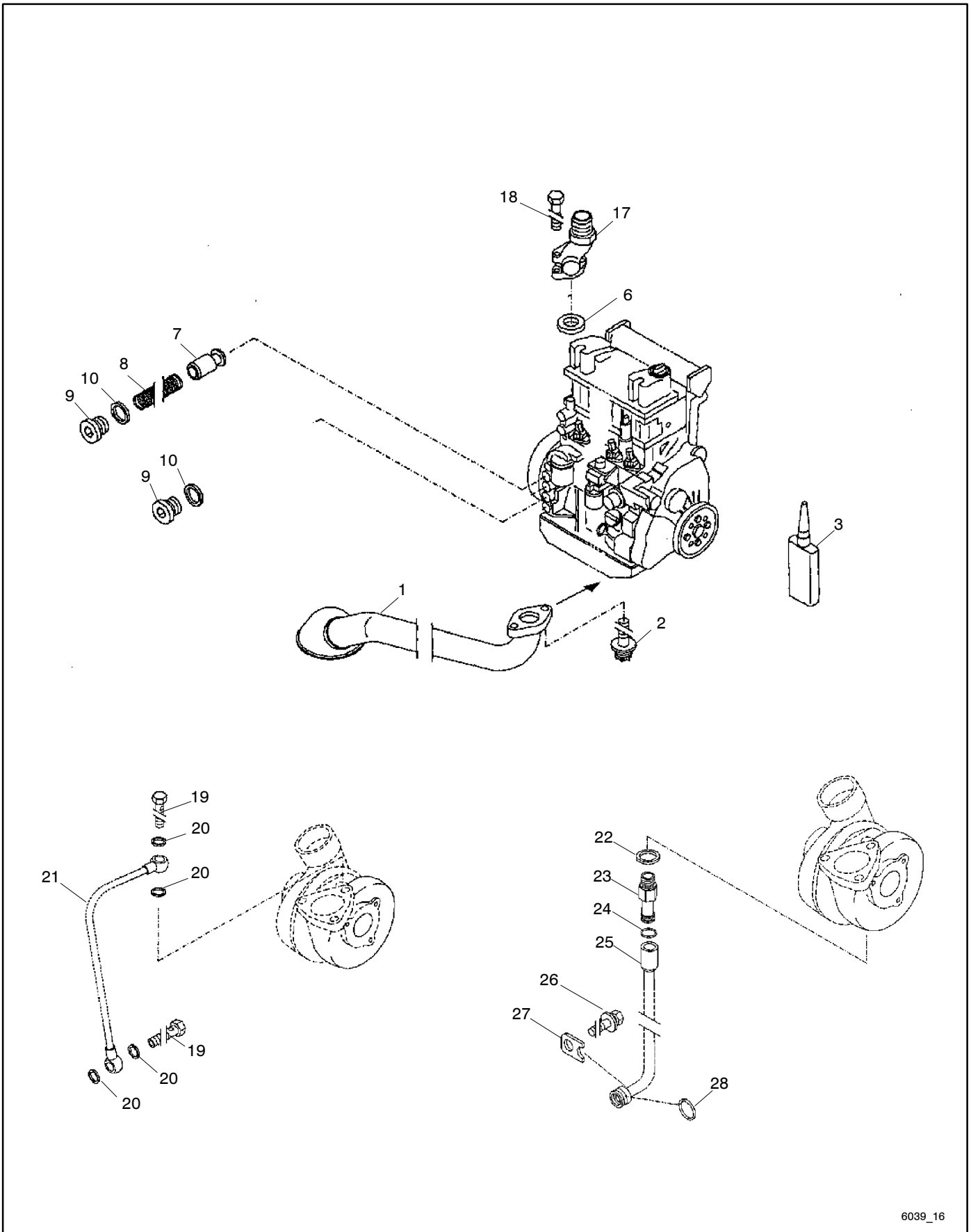


6039_15

Item	Part Number	Description	Quantity
			Variation Number 1
1	GM12717	Spin-on oil filter	1
2	*	Screwed bush	1
3	*	Safety/locking agent	1

* Contact factory Service Parts Department

Group 16: Oil Intake Pipe



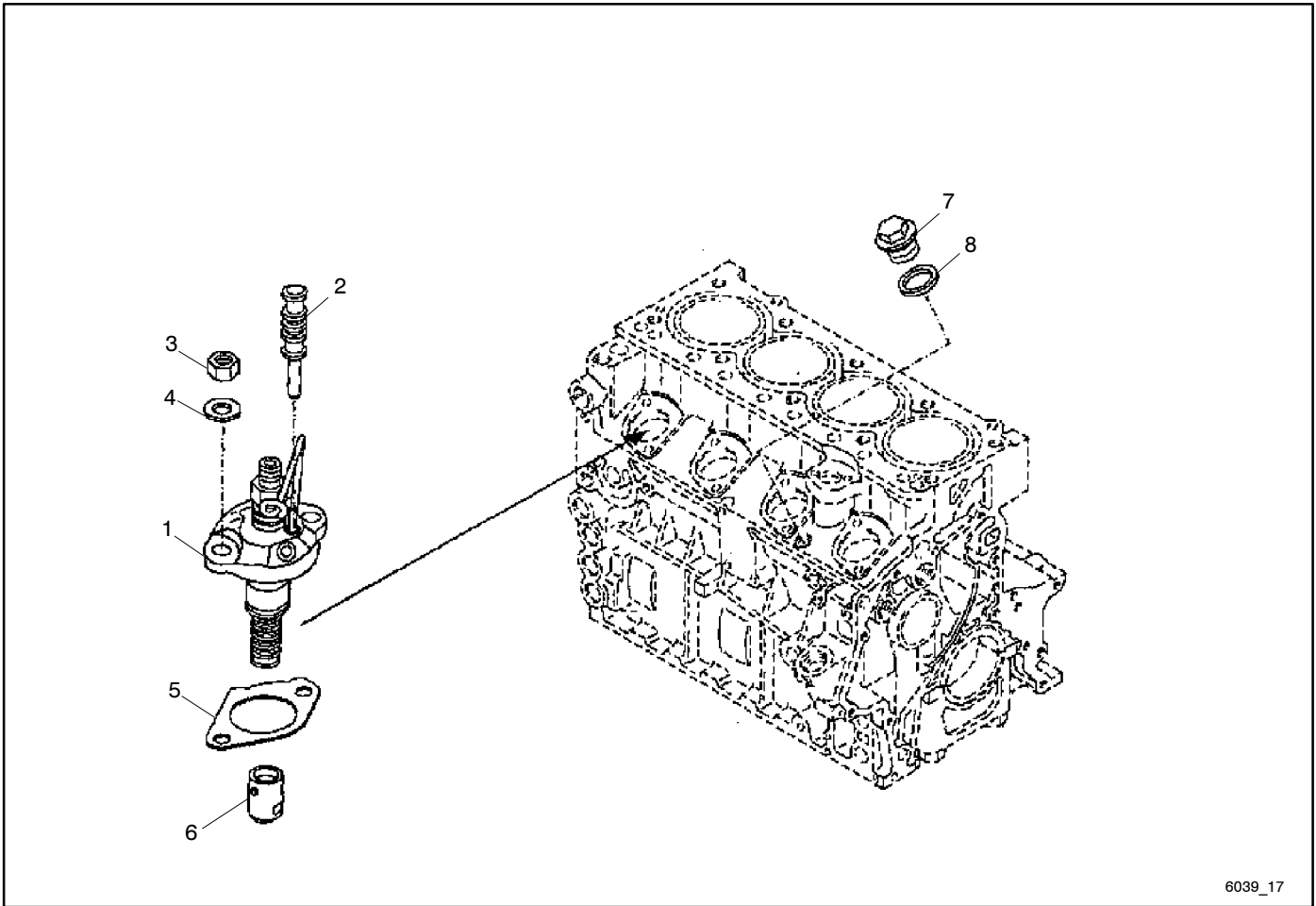
6039_16

Group 16: Oil Intake Pipe

Item	Part Number	Description	Quantity		
			Variation Number		
			1	2	3
1	GM12943	Oil suction pipe	1		
1	*	Oil suction pipe		1	1
2	*	Torx-head bolt	2	2	2
3	GM12637	Packing compound	1	1	1
6	GM12763	Sealing ring	2	2	2
7	GM12938	Valve	1	1	1
8	GM12939	Compression spring	1	1	1
9	GM12644	Screw plug	4	4	4
10	GM12668	Sealing ring	4	4	4
17	*	Radiator connector	2	2	2
18	GM12695	Hexagon bolt	4	4	4
19	GM12674	Hollow screw			2
20	GM12661	Sealing ring			4
21	*	Lubricating oil line			1
22	GM12665	Sealing ring			1
23	GM13114	Screw-in nipple			1
24	*	O-seal			1
25	*	Oil return line			1
26	*	Hexagon bolt			1
27	*	Retaining plate			1
28	*	O-seal			1

* Contact factory Service Parts Department

Group 17: Fuel Injection Pump



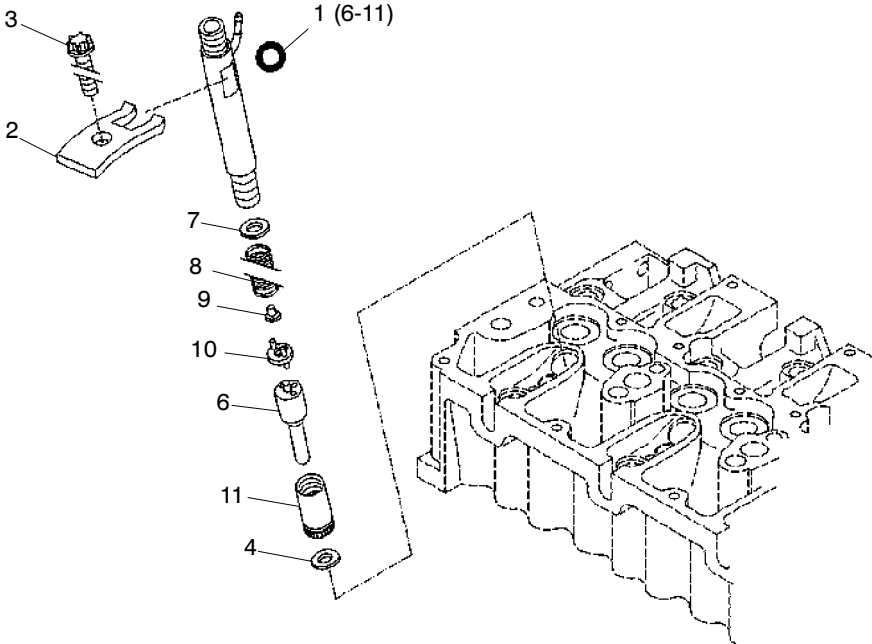
6039_17

Item	Part Number	Description	Quantity
			Variation Number
1	GM12958	Fuel injection pump	1
2	GM12947	Plug	1
3	*	Hexagon nut	2
4	GM12874	Plain washer	2
5	GM12940	Compensat gasket, 0.4 mm	1
5	GM12941	Compensat gasket, 0.5 mm	1
5	*	Compensat gasket, 0.6 mm	1
5	*	Compensat gasket, 0.7 mm	1
5	*	Compensat gasket, 0.8 mm	1
5	*	Compensat gasket, 0.9 mm	1
5	*	Compensat gasket, 1.0 mm	1
6	GM12926	Roller tappet	1
7	*	Screw plug	1
8	GM12660	Sealing ring	1

* Contact factory Service Parts Department

Notes

Group 19: Fuel Injector

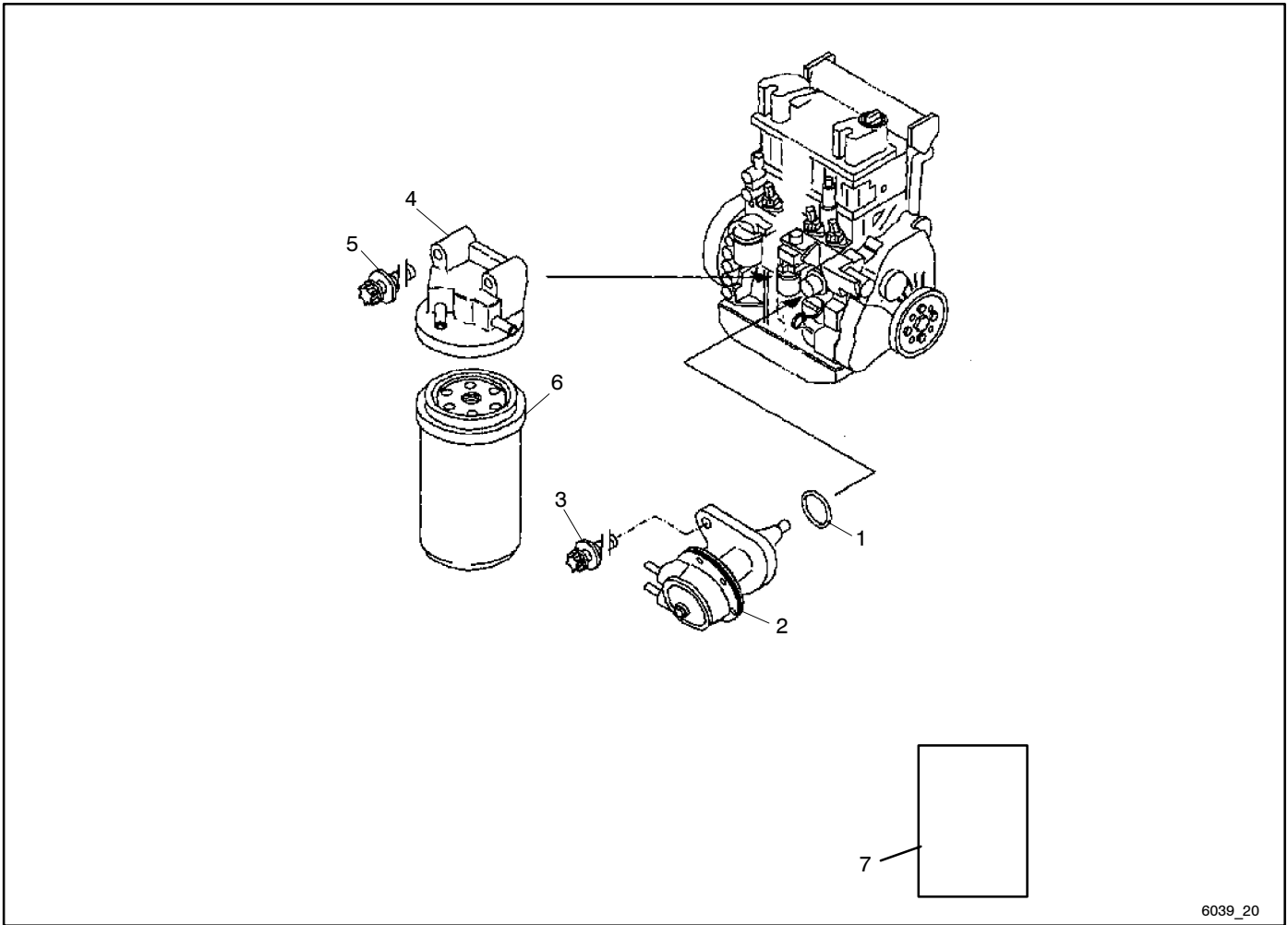


Group 19: Fuel Injector

Item	Part Number	Description	Quantity	
			Variation Number 1	Variation Number 2
1	GM12932	Fuel injector		1
1	GM12957	Fuel injector	1	
	GM12933	Claw	1	1
3	GM12782	Torx-head bolt	1	1
4	GM12925	Sealing ring	1	1
6	GM12930	Nozzle element		1
6	GM12956	Nozzle element	1	
7	GM12803	Shim	1	1
7	GM12804	Shim oversize 1.10 mm	1	1
7	GM12805	Shim oversize 1.24 mm	1	1
7	GM12806	Shim oversize 1.50 mm	1	1
7	*	Shim oversize 1.74 mm	1	1
7	*	Shim oversize 1.98 mm	1	1
7	GM12807	Shim oversize 1.04 mm	1	1
7	GM12808	Shim oversize 1.08 mm	1	1
7	GM12809	Shim oversize 1.14 mm	1	1
7	GM12810	Shim oversize 1.18 mm	1	1
7	GM12811	Shim oversize 1.20 mm	1	1
7	GM12812	Shim oversize 1.28 mm	1	1
7	GM12813	Shim oversize 1.30 mm	1	1
7	GM12814	Shim oversize 1.34 mm	1	1
7	GM12815	Shim oversize 1.38 mm	1	1
7	GM12816	Shim oversize 1.40 mm	1	1
7	GM12817	Shim oversize 1.44 mm	1	1
7	GM12818	Shim oversize 1.48 mm	1	1
7	GM12819	Shim oversize 1.54 mm	1	1
7	*	Shim oversize 1.58 mm	1	1
7	*	Shim oversize 1.60 mm	1	1
7	*	Shim oversize 1.64 mm	1	1
7	*	Shim oversize 1.68 mm	1	1
7	*	Shim oversize 1.70 mm	1	1
7	*	Shim oversize 1.78 mm	1	1
7	*	Shim oversize 1.80 mm	1	1
7	*	Shim oversize 1.84 mm	1	1
7	*	Shim oversize 1.88 mm	1	1
7	*	Shim oversize 1.90 mm	1	1
7	*	Shim oversize 1.94 mm	1	1
7	*	Shim oversize 1.22 mm	1	1
8	GM12822	Compression spring	1	1
9	GM12823	Thrust bolt	1	1
10	GM12824	Spacer	1	1
11	*	Nozzle cap nut	1	1

* Contact factory Service Parts Department

Group 20: Fuel Pump and Fuel Filter



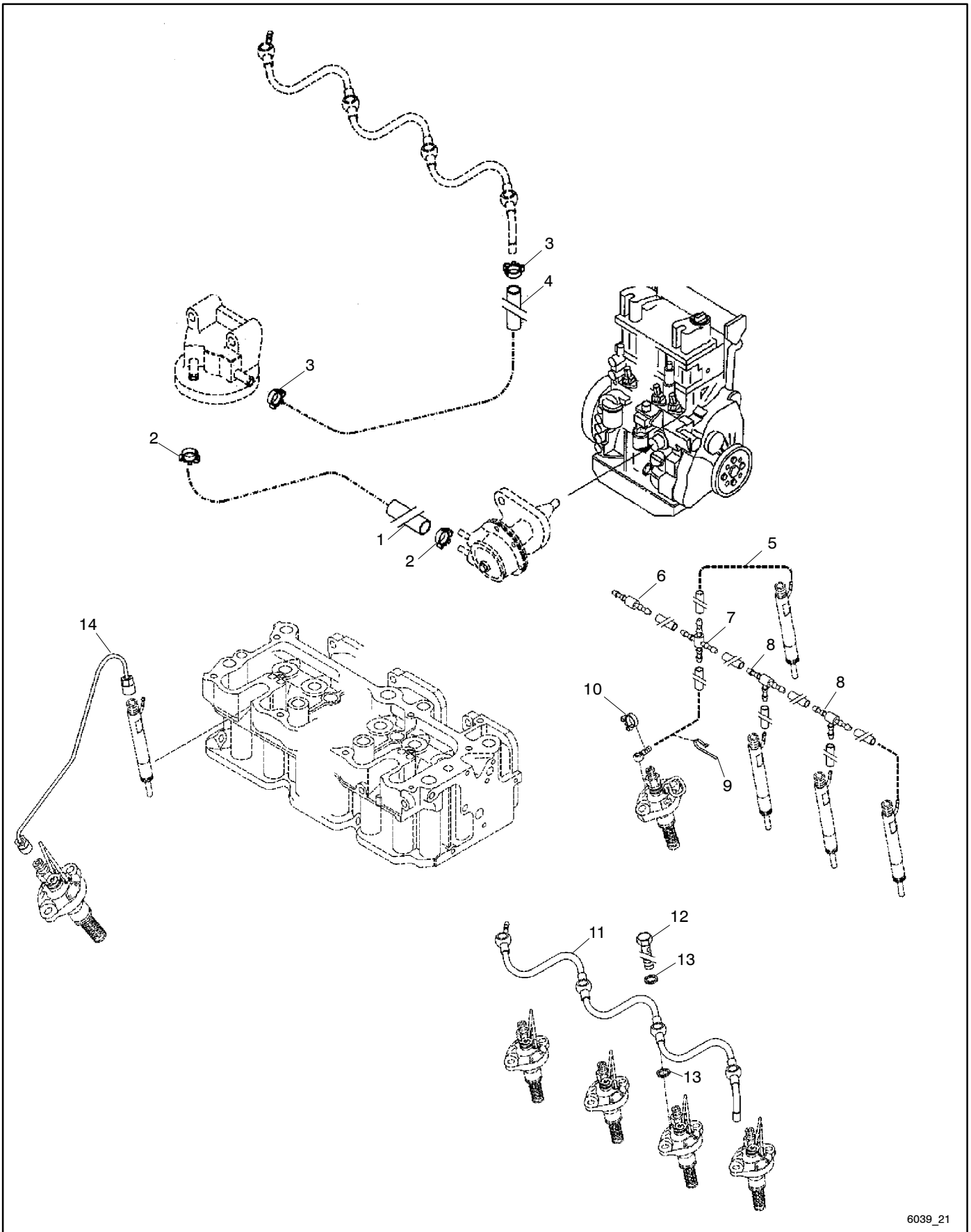
6039_20

Item	Part Number	Description	Quantity
			Variation Number
1	GM12738	O-seal	1
2	*	Fuel supply pump	1
3	*	Torx-head bolt	2
4	*	Bracket	1
5	GM12752	Torx-head bolt	1
6	GM12720	Spin-on fuel filter	1
7	GM13147	Repair kit	1

* Contact factory Service Parts Department

Notes

Group 21: Fuel Pipes



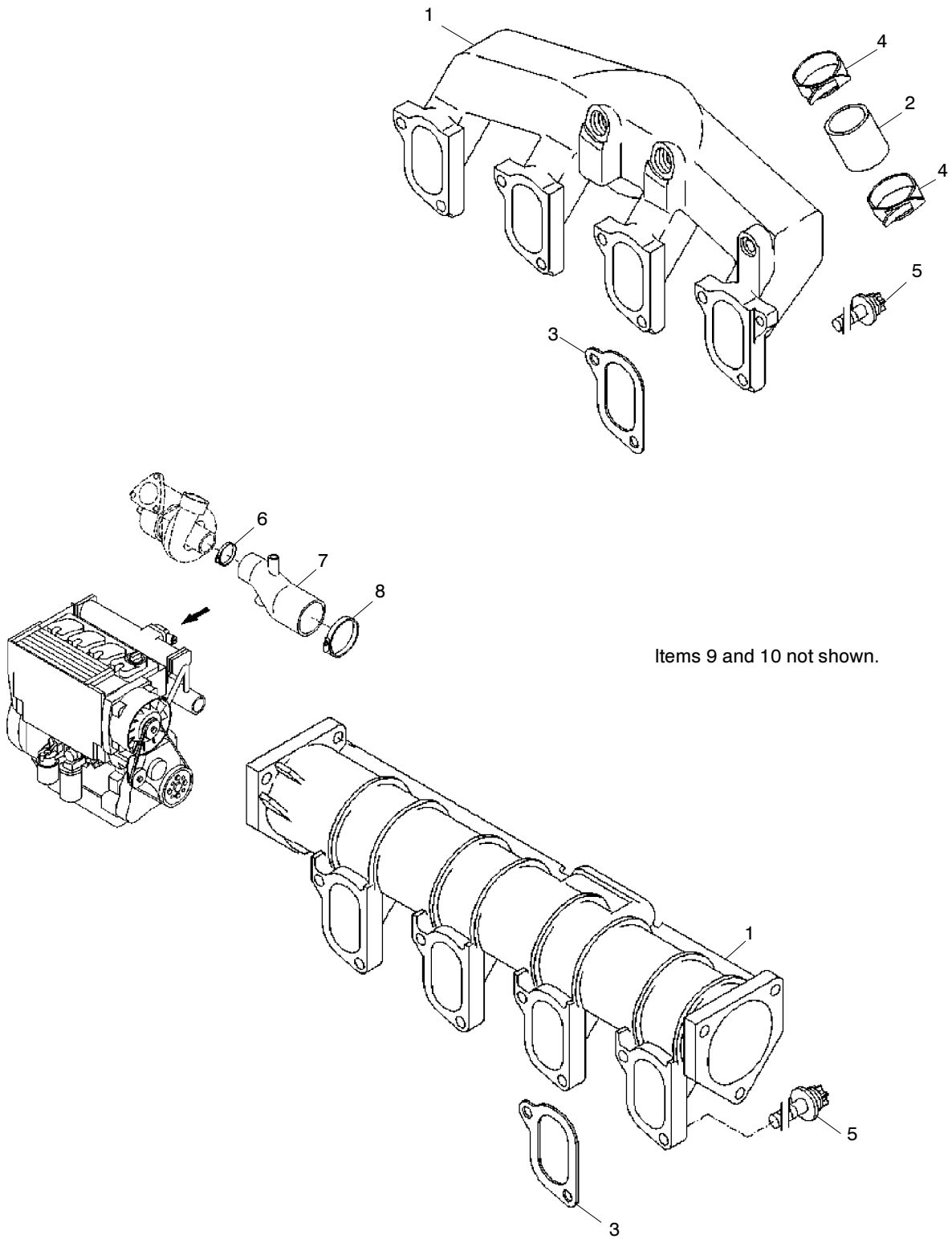
6039_21

Group 21: Fuel Pipes

Item	Part Number	Description	Quantity		
			Variation Number		
			1	2	3
1	GM12839	Rubber hose	1	1	1
2	GM12762	Hose clip	2	2	2
3	GM12762	Hose clip	2	2	2
4	GM12839	Rubber hose	1	1	1
5	*	Overflow line		1	1
5	*	Overflow line	1		
6	*	Connecting piece	1	1	1
7	*	Cross piece	1	1	1
8	*	T-fitting	1	2	2
9	*	Clamping band	1	1	1
10	*	Hose clip	1	1	1
11	*	Fuel line		1	1
11	*	Fuel line	1		
12	GM12674	Hollow screw	3	4	4
13	GM12696	Sealing ring	6	8	8
14	GM12961	High pressure pipe			1
14	*	High pressure pipe	1	1	

* Contact factory Service Parts Department

Group 22: Air Intake



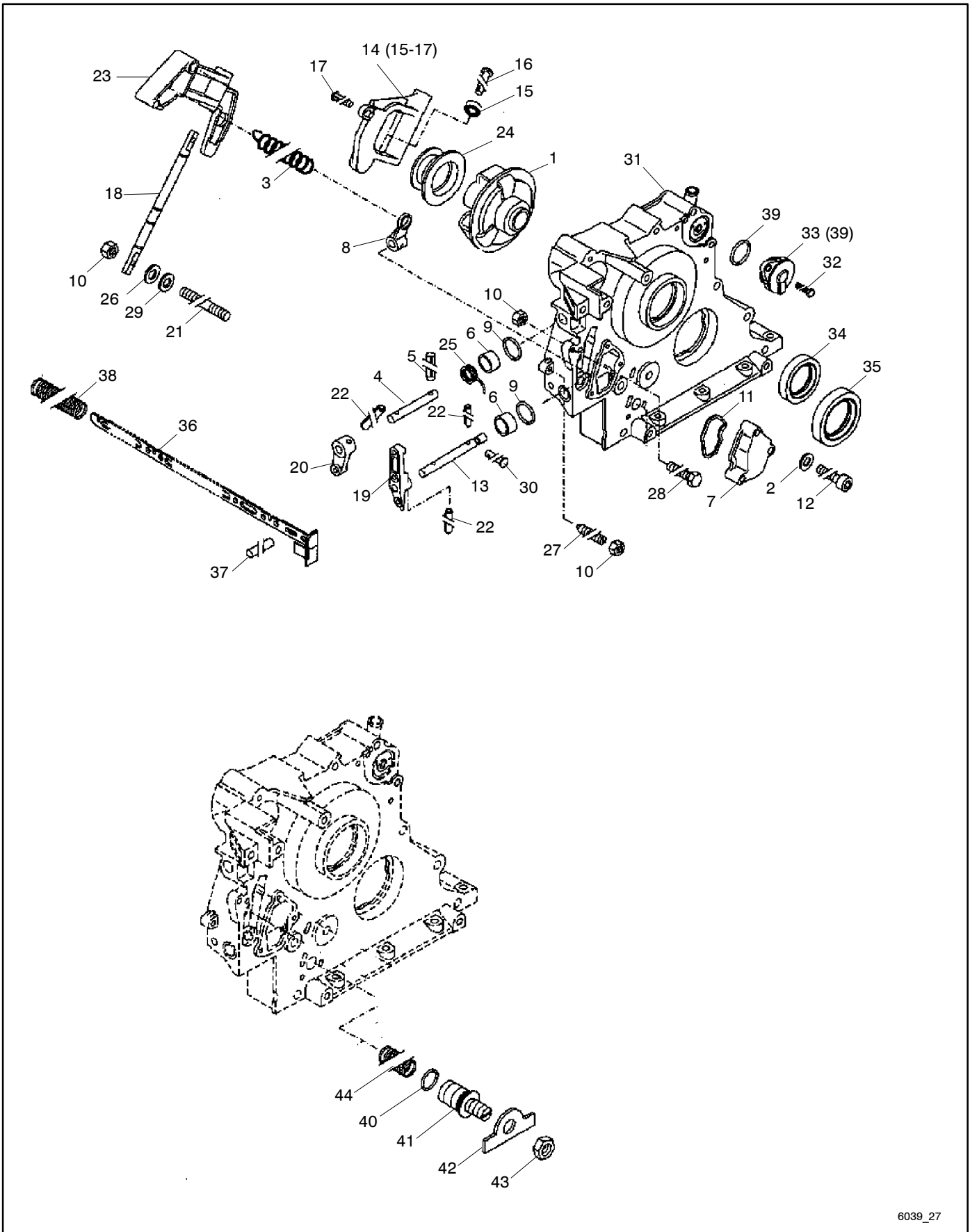
6039_22

Group 22: Air Intake

Item	Part Number	Description	Quantity		
			Variation Number		
			1	2	3
1	GM13186	Intake manifold	1		
1	GM13187	Intake manifold		1	
1	*	Suction pipe			1
2	*	Rubber sleeve			1
3	GM12962	Gasket	3		4
4	GM12731	Spring band clamp			2
5	GM12743	Torx-head bolt	6		
5	GM12962	Gasket	4		
5	*	Torx-head bolt	8		
5	*	Torx-head bolt			8
6	GM12712	Hose clip			1
7	*	Reducer			1
8	GM12711	Hose clip			1
9	*	Screw plug	1	1	
10	*	Sealing ring	1	1	

* Contact factory Service Parts Department

Group 27: Speed Control



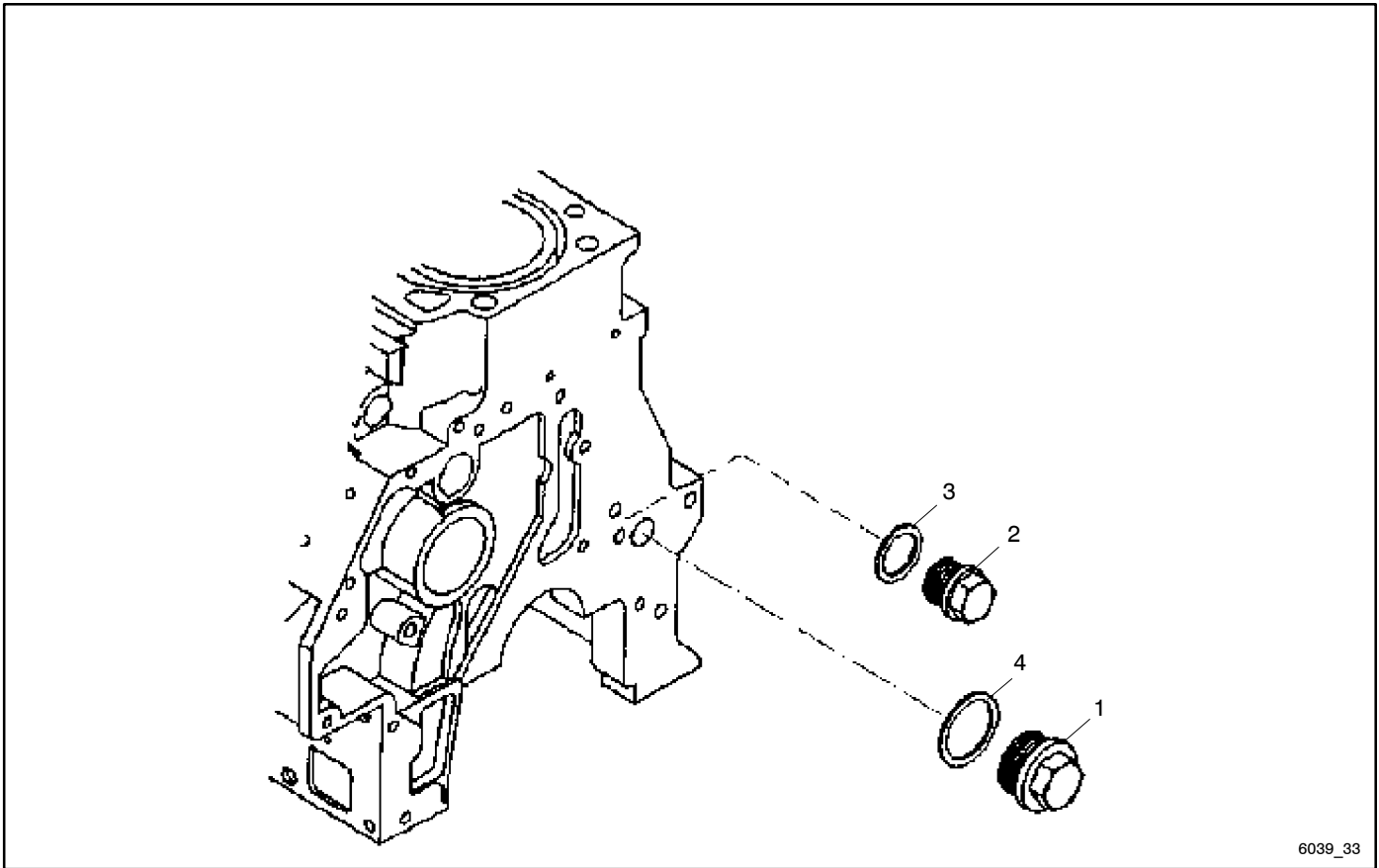
6039_27

Group 27: Speed Control

Item	Part Number	Description	Quantity	
			Variation Number 1	Variation Number 2
1	*	Metering unit	1	1
2	*	Plain washer	3	3
3	*	Tension spring	1	1
4	*	Lever shaft	1	1
5	*	Notched pin	1	1
6	*	Sleeve	3	3
7	*	Cover	1	1
8	*	Lever/arm	1	1
9	*	O-seal	2	2
10	*	Hexagon nut	4	4
11	*	Profile washer	1	1
12	*	Cheese head screw	3	3
13	*	Lever shaft	1	1
14	*	Roller lever	1	1
15	*	Ball bearing	2	2
16	*	Clevis pin	2	2
17	*	Notched nail	1	1
18	*	Axle	1	1
19	*	Lever/arm	1	1
20	*	Shut-off lever	1	1
21	*	Stud	2	2
22	*	Straight pin	3	3
23	*	Lever/arm	1	1
24	*	Sleeve	1	1
25	*	Torsion spring	1	1
26	*	Plain washer	3	3
27	*	Set screw	1	1
28	*	Hexagon bolt	1	1
29	*	Plain washer	2	2
30	*	Clevis pin	1	1
31	GM12942	Front cover	1	1
32	*	Hexagon bolt	1	1
33	*	Breather valve	1	1
34	GM12923	Rotating shaft lip seal	1	1
35	GM12922	Rotating shaft lip seal	1	1
36	GM12966	Control rod		1
36	GM12965	Control rod	1	
37	GM12928	Locating pin	1	1
38	GM12909	Compression spring	1	1
39	GM12768	O-seal	1	1
40	*	O-seal	1	1
41	*	Capsule	1	1
42	*	Plain washer	1	1
43	*	Hexagon nut	1	1
44	*	Compression spring	1	1

* Contact factory Service Parts Department

Group 33: Air Compressor



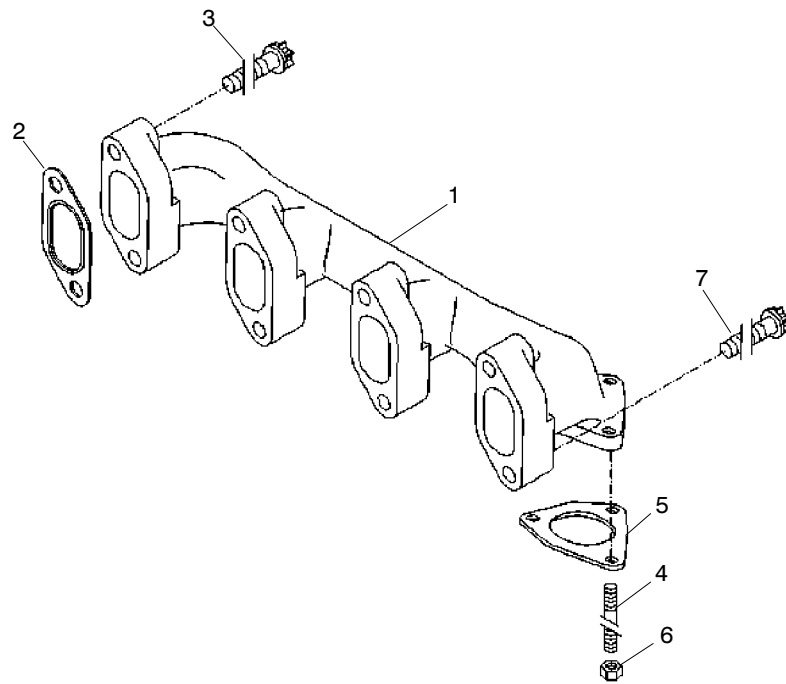
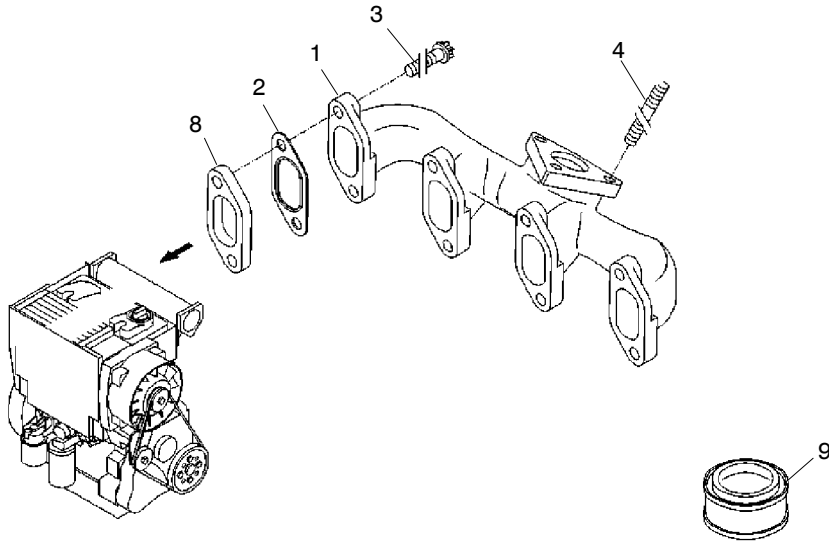
6039_33

Item	Part Number	Description	Quantity
			Variation Number
1	*	Screw plug	1
2	*	Screw plug	1
3	GM12660	Sealing ring	1
4	GM12667	Sealing ring	1

* Contact factory Service Parts Department

Notes

Group 41: Exhaust Manifold



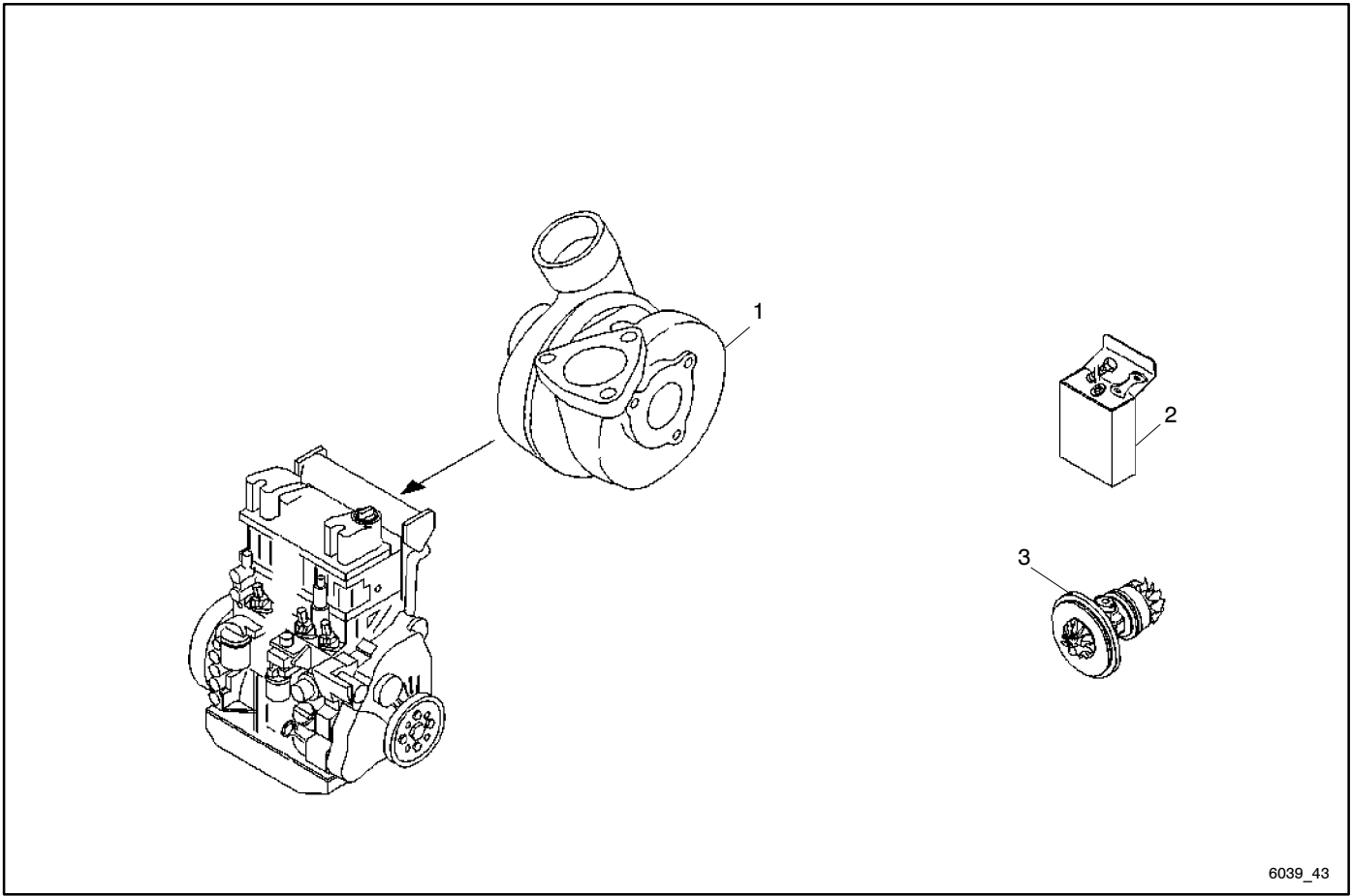
6039_41

Group 41: Exhaust Manifold

Item	Part Number	Description	Quantity		
			Variation Number		
			1	2	3
1	*	Exhaust manifold			1
1	*	Exhaust manifold		1	
1	*	Exhaust manifold	1		
2	*	Gasket	6	4	4
3	*	Torx-head bolt			7
4	GM12698	Stud	3	3	
4	GM12699	Stud			3
5	GM12916	Gasket			1
6	GM12683	Hexagon nut			3
7	*	Torx-head bolt			1
8	*	Flange	3	4	
9	*	Fitting compound		1	1

* Contact factory Service Parts Department

Group 43: Turbocharger

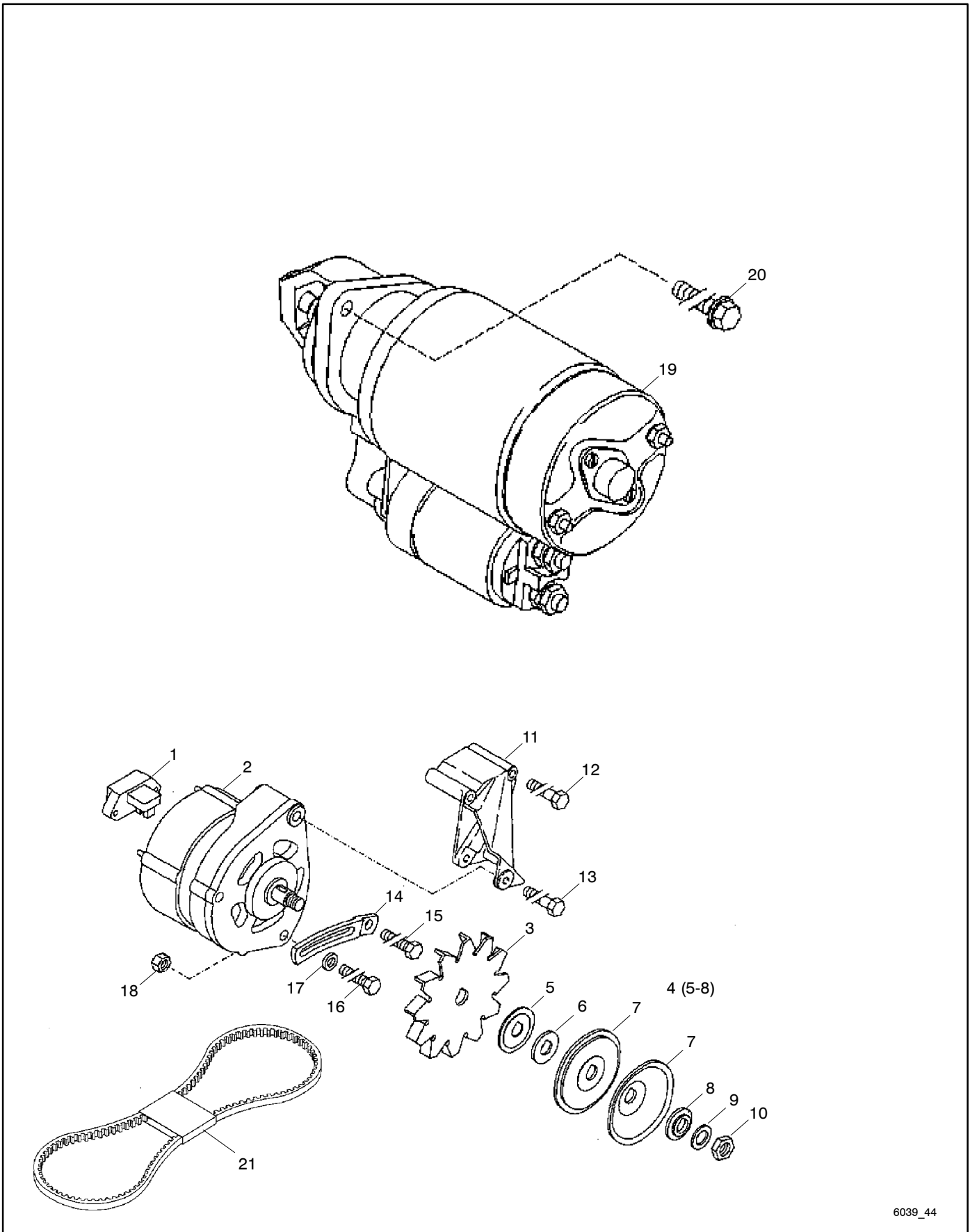


6039_43

Item	Part Number	Description	Quantity
			Variation Number
1	GM13174	Turbocharger	1
2	GM12830	Repair kit	1
3	GM12831	Core assembly	1

Notes

Group 44: Alternator and Starter



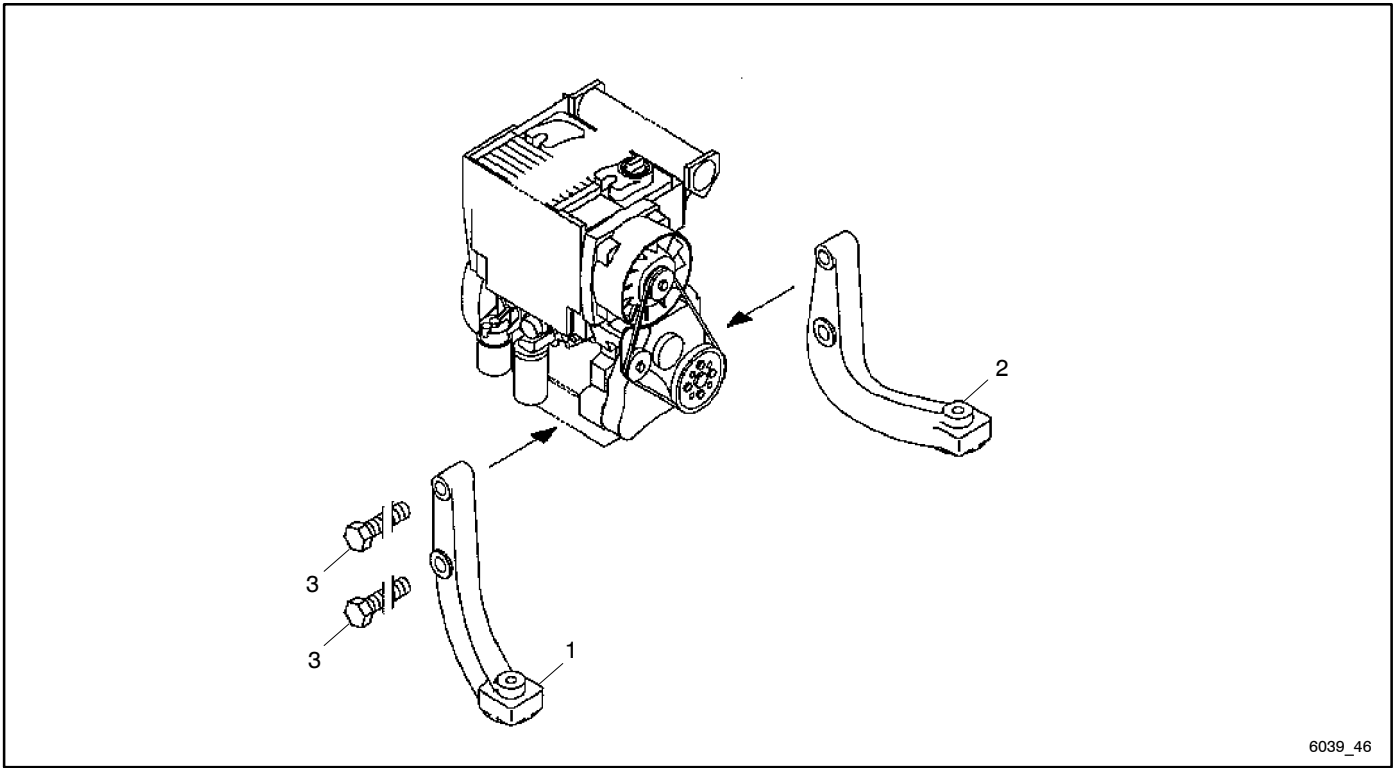
6039_44

Group 44: Alternator and Starter

Item	Part Number	Description	Quantity
			Variation Number 1
1	*	Controller	1
2	*	Alternator	1
3	GM12703	Fan	1
4	GM12725	V-grooved pulley	1
5	GM12724	Supporting ring	1
6	GM12727	Washer	1
7	GM12729	Belt pulley	2
8	GM12728	Washer	1
9	*	Lock washer	1
10	GM12681	Hexagon nut	1
11	*	Bracket	1
12	*	Hexagon bolt	3
13	GM12652	Hexagon bolt	1
14	*	Clamping strap	1
15	*	Hexagon bolt	1
16	*	Hexagon bolt	1
17	*	Plain washer	2
18	*	Hexagon nut	1
19	GM12793	Starter	1
20	GM12755	Hexagon bolt	2
21	GM12748	V-belt, narrow	1

* Contact factory Service Parts Department

Group 46: Engine Mounting

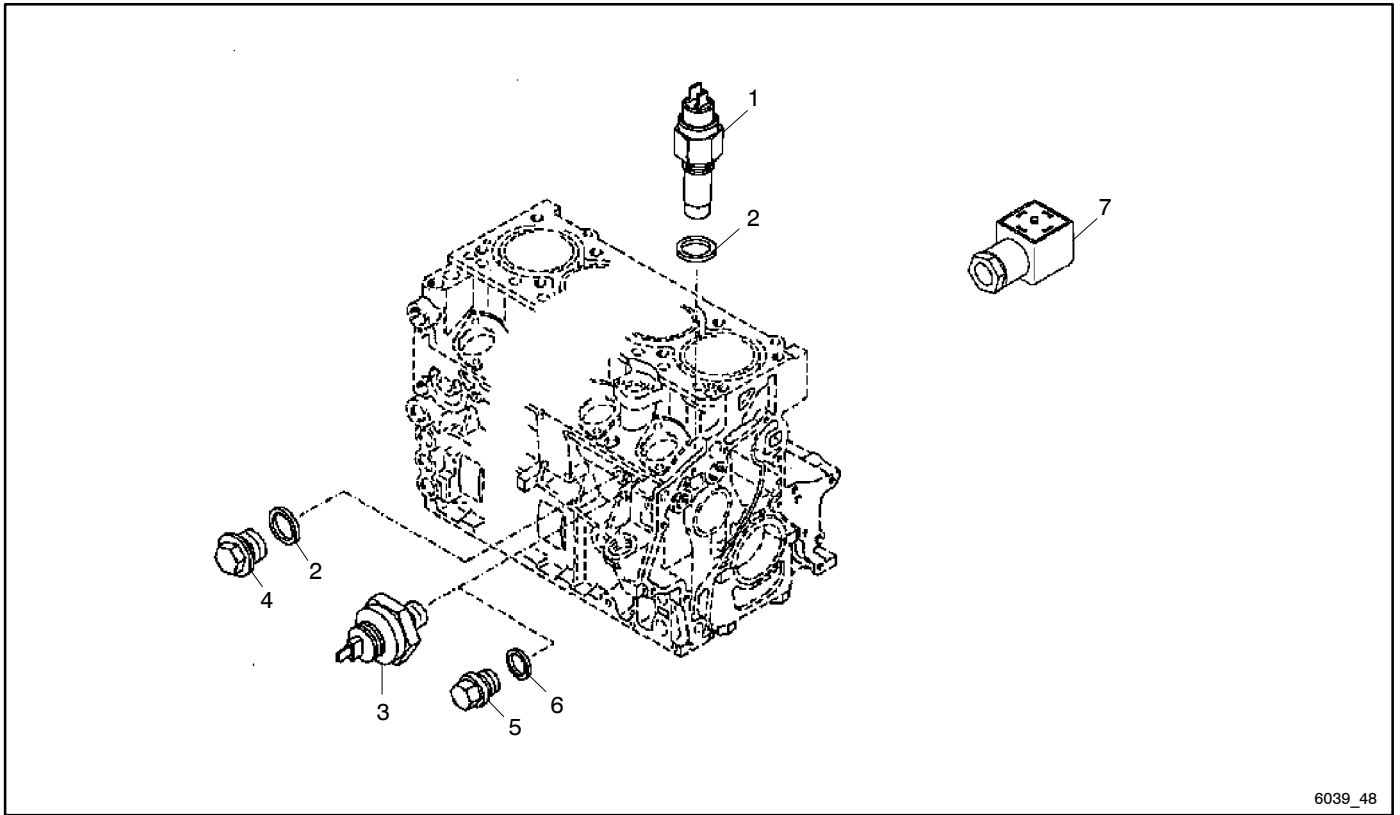


6039_46

Item	Part Number	Description	Quantity
			Variation Number
1	*	Mounting foot	1
2	*	Mounting foot	1
3	*	Hexagon bolt	4

* Contact factory Service Parts Department

Group 48: Electrical Accessories

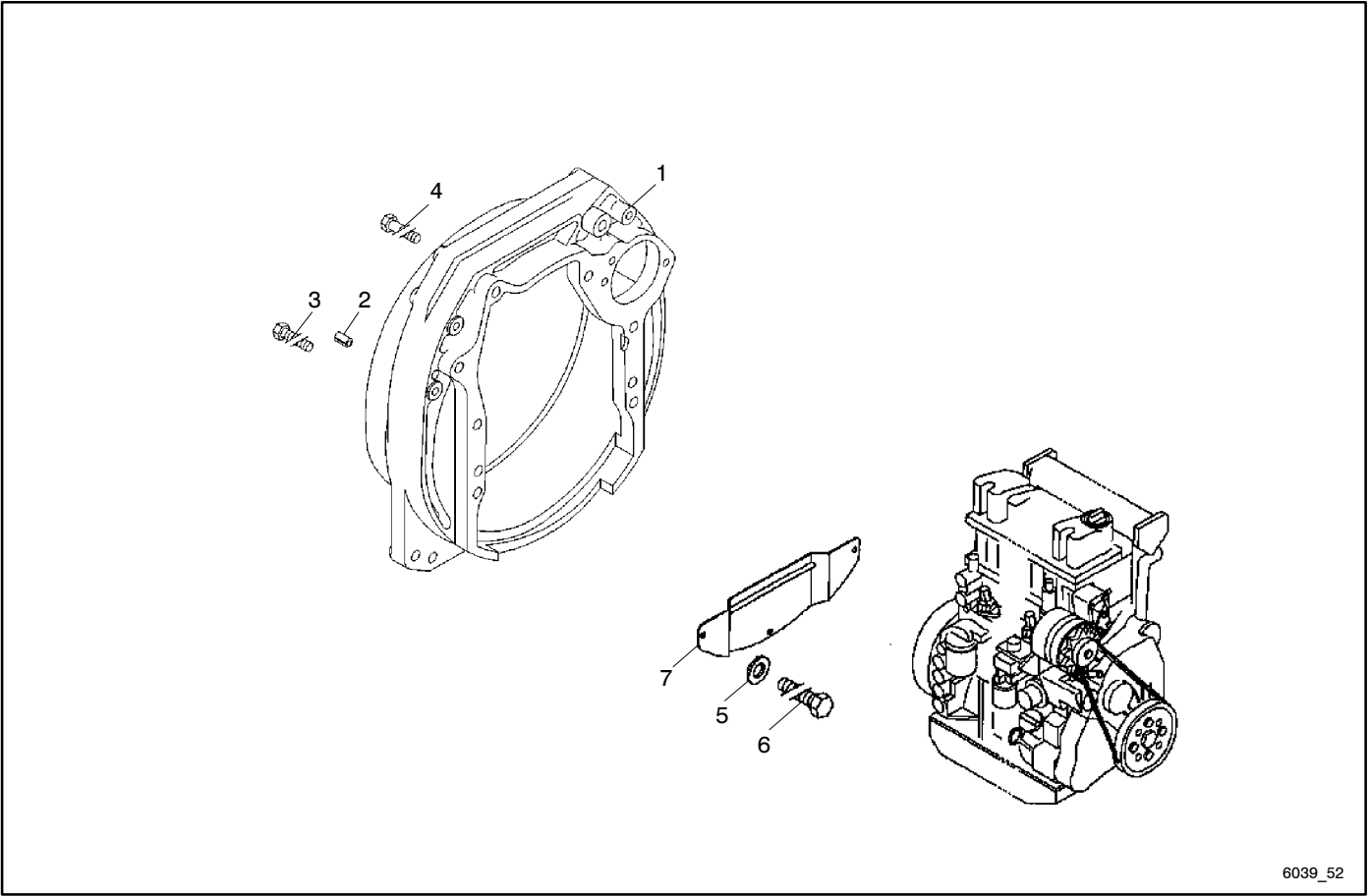


6039_48

Item	Part Number	Description	Quantity	
			Variation Number 1	Variation Number 2
1	GM12740	Temper.transmitter	1	
2	GM12667	Sealing ring		1
2	*	Sealing ring	1	
3	GM12787	Oil pressure switch	1	
4	*	Screw plug		1
5	*	Screw plug		1
6	*	Sealing ring		1
7	*	Connector		1

* Contact factory Service Parts Department

Group 52: Flywheel Housing

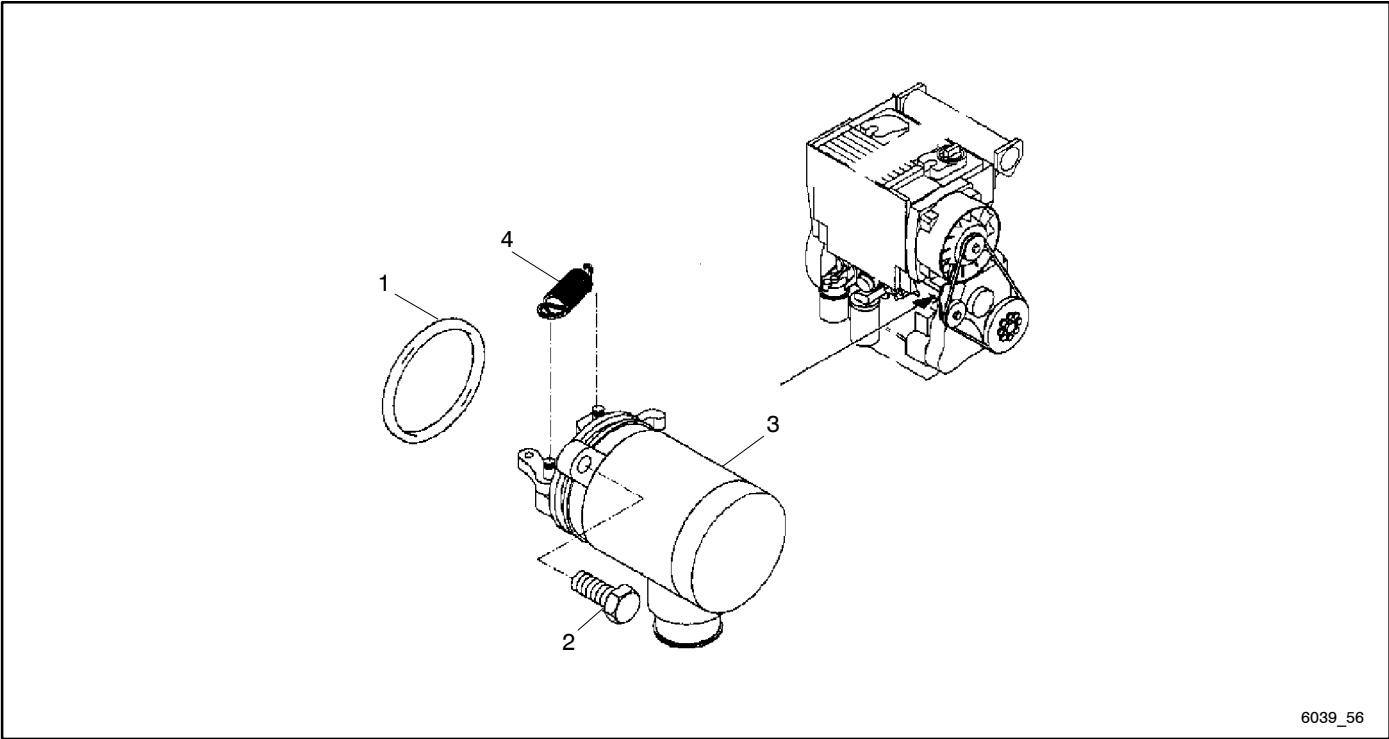


6039_52

Item	Part Number	Description	Quantity
			Variation Number
1	*	Connection housing	1
2	*	Clamping bush	2
3	*	Hexagon bolt	5
4	*	Hexagon bolt	2
5	*	Plain washer	3
6	*	Hexagon bolt	3
7	*	Cover plate	1

* Contact factory Service Parts Department

Group 56: Engine Shutdown



6039_56

Item	Part Number	Description	Quantity
			Variation Number
1	GM12706	O-seal	1
2	GM12692	Hexagon bolt	2
3	GM13176	Shutdown device	1
4	GM12927	Tension spring	1

