

Service Parts

Engine

Engine Models:

Deutz BF4M1012E
BF4M1012EC

Generator Models:

50-60 kW

Table of Contents

Introduction	1
Numbering System Significance	1
Illustrations	1
How to Find Part Numbers	1
Hardware References	1
Specification Number Index	2
Group 1: Crankcase	4
Group 2: Oil Pan	7
Group 5: Flywheel and Crankshaft	8
Group 6: Connecting Rod	9
Group 7: Piston	10
Group 8: Cylinder Head	11
Group 9: Timing Gear Cover	12
Group 10: Camshaft	13
Group 11: Rocker Arms and Push Rods	14
Group 15: Lube Oil Cooler	15
Group 16: Oil Intake Pipe	16
Group 17: Fuel Injection Pump	17
Group 19: Fuel Injector	18
Group 20: Fuel Pump and Fuel Filter	19
Group 21: Fuel Pipes	20
Group 22: Air Intake	22
Group 27: Speed Control	23
Group 36: Cooling System	24
Group 37: Water Pump	26
Group 38: Water Pipes	28
Group 38: Water Pipes	29
Group 41: Exhaust Manifold	31
Group 43: Turbocharger	32
Group 44: Alternator and Starter	34
Group 46: Engine Mounting	36
Group 48: Electrical Accessories	37
Group 51: Temperature Sensor	38
Group 52: Flywheel Housing	39
Group 56: Engine Shutdown	40
Group 58: Intercooler	41
Group 83: Blanking Parts	42
Group 90: Gasket Sets	43

Introduction

This manual lists service replacement parts for 50–60 kW generator sets.

At the time of print this manual applied to the generator set specification (spec) numbers listed in the Specification Number Index. On occasion this manual may apply to specs not listed in the Specification Number Index.

Information in this publication represents data available at the time of print. The factory reserves the right to change this publication and the products represented without notice and without any obligation or liability whatsoever.

This manual includes the following main sections:

Table of Contents. Lists the sections of the manual.

Introduction (and other information sections). Contains introductory material about part numbers, illustrations, and hardware.

Index. Lists the generator set specs and groups.

Group Parts Lists. List the part numbers of parts in the groups.

Kit Sections. List modules and accessories and their parts.

Appendices. Include Abbreviations, Common Hardware Application Guidelines, General Torque Specifications, Common Hardware Identification, and Common Hardware List.

xin:004:002

Numbering System Significance

This manual uses the following numbering systems:

Specification Number. A six-digit number with a PA-prefix. The Specification Number Index does not show the prefix. Spec numbers break down into groups.

Group Number. A unique number representing a parts group needed to assemble a generator set function. For example, Group 101 is the Air Intake group.

Variation or Module Number. A group might have several variations. Each variation performs the same function with different parts lists. For example, a 50 Hz generator alternator and 60 Hz generator alternator both perform the same function, however, with different parts. Each difference requires a group variation or module number.

Part Number. The part number identifies an individual assembly, subassembly, component, or accessory kit.

xin:004:003

Illustrations

Illustrations (or exploded-view drawings) best representing the widest range of variations accompany most groups in this manual. Illustrations do not depict all details and may not show all parts. Do not use illustrations for assembly or disassembly instructions.

xin:004:004

How to Find Part Numbers

Use the following steps to locate a service replacement part.

1. Locate the generator set nameplate to **identify the generator set spec number**.
2. Locate a second generator set nameplate listing accessories to **identify installed modules**. On some models the accessory nameplate is mounted inside the generator junction box.
3. **Turn to the Specification Number Index**. The first column lists the generator set spec numbers. The headings identify the groups of parts that make up the generator set.
4. **Identify the group** most likely to include the service part number.
5. **Find the group variation number** at the intersection of the spec number row and the group column. Note the variation number.
6. **Page forward to locate the group** identified in step 4 or find the appropriate page in the Table of Contents.
7. **Find the part on the illustration** and note the item number of the part or **find the part description in the parts list**.
8. Select **the part number that corresponds to your group variation**. The first column lists the illustration item number. Find the variation identified in the Specification Number Index or the module number found on the generator set nameplate in the appropriate column on the right side of the parts list table. Find the quantity used at the intersection of the item number row and the variation column. A blank space at the intersection means the variation/module does not use that part number.

xin:004:005

Hardware References

Many common hardware items do not appear in parts manuals or will appear as common hardware entries. A common hardware entry lists the size of the hardware. For example, an item that appears as “Hardware, 3/8-16” in the text means that the piece is 3/8-16 size. Obtain common hardware locally or, if contacting the factory, use the Common Hardware List in the appendix to identify the common hardware part number and specifications. See Common Hardware Application Guidelines in the appendix for mating hardware instructions.

Some hardware items require a specific size or some other characteristic. In that case, use the part number listed in the text.

When replacing hardware, do not substitute inferior grade hardware. Replacement hardware grade should be equal to or better than the grade of the manufacturer’s original hardware. Use the Common Hardware List in the appendix to identify the common hardware hardness.

xin:004:006

Specification Number Index

Group Title	<i>Crankcase</i>	<i>Oil Pan</i>	<i>Flywheel and Crankshaft</i>	<i>Connecting Rod</i>	<i>Piston</i>	<i>Cylinder Head</i>	<i>Timing Gear Cover</i>	<i>Camshaft</i>	<i>Rocker Arms</i>	<i>Lube Oil Cooler</i>	<i>Oil Intake Pipe</i>	<i>Fuel Injection Pump</i>	<i>Fuel Injector</i>
Group No.	1	2	5	6	7	8	9	10	11	15	16	17	19
	Variation Number												

Engine Model													
BF4M1012E	1	1	1	1	1	1	1	1	1	1	1	1	1
BF4M1012EC	1	1	1	1	1	1	1	1	1	1	1	1	1

xin:004:007a

Group Title	<i>Fuel Pump and Fuel Filter</i>	<i>Fuel Pipes</i>	<i>Air Intake</i>	<i>Speed Control</i>	<i>Cooling System</i>	<i>Water Pump</i>	<i>Water Pipes</i>	<i>Cooling Fan</i>	<i>Exhaust Manifold</i>	<i>Turbocharger</i>	<i>Alternator and Starter</i>	<i>Engine Mounting</i>	<i>Electrical Accessories</i>
Group No.	20	21	22	27	36	37	38	39	41	43	44	46	48
	Variation Number												

Engine Model													
BF4M1012E	1	1	1	1	1	1	1	1	1	1	1	1	1
BF4M1012EC	1	1	2	2	2	1	2	2	1	2	1	1	1

xin:004:007a

Specification Number Index

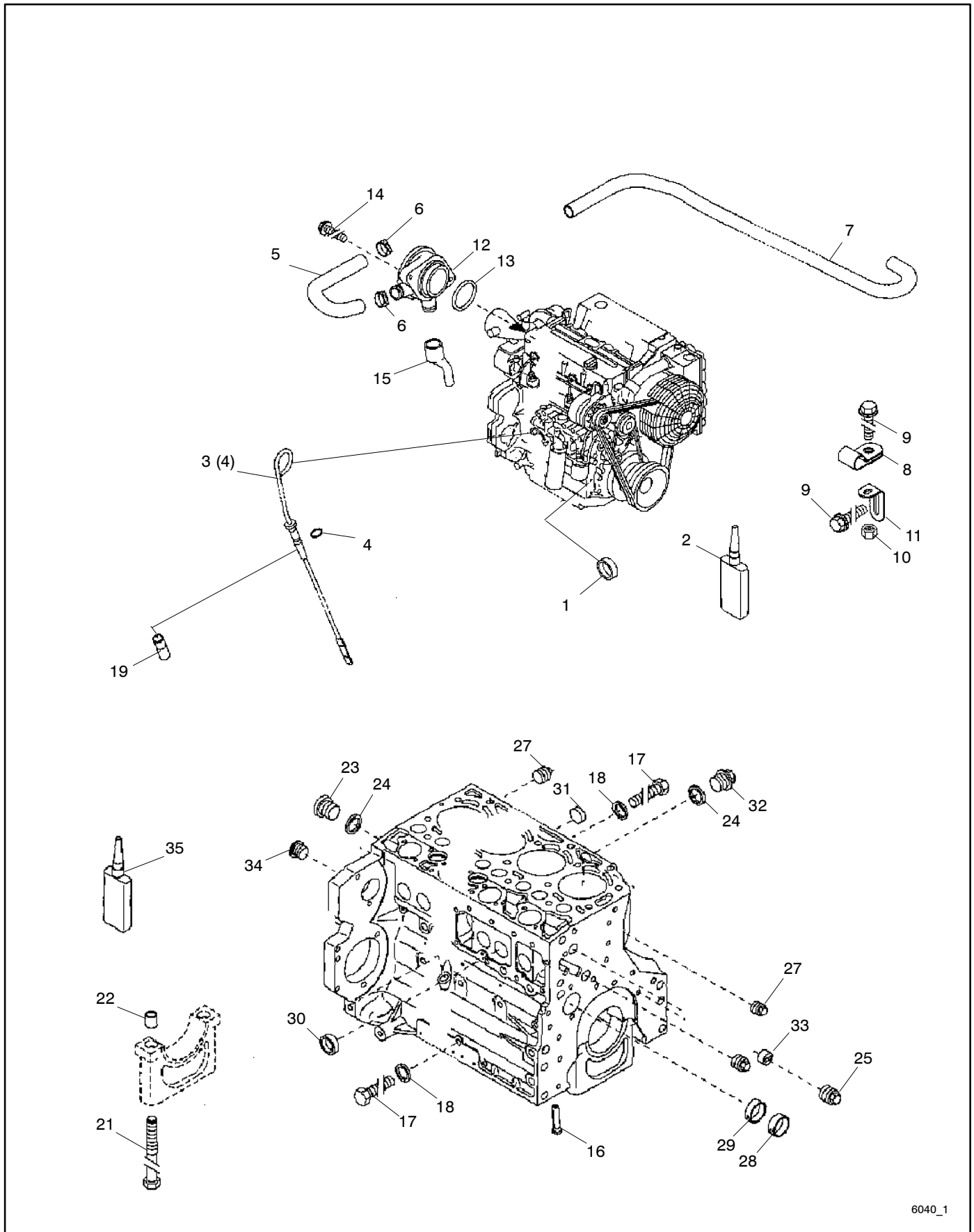
Group Title	<i>Temperature Sensor</i>	<i>Flywheel Housing</i>	<i>Engine Shutdown</i>	<i>Intercooler</i>	<i>Blanking Parts</i>	<i>Gasket Sets</i>
Group No.	51	52	56	58	83	90
	Variation Number					

Engine Model						
BF4M1012E	1	1	1	—	1	1
BF4M1012EC	1	1	1	1	1	1

— Not applicable.

xin:004:007a

Group 1: Crankcase



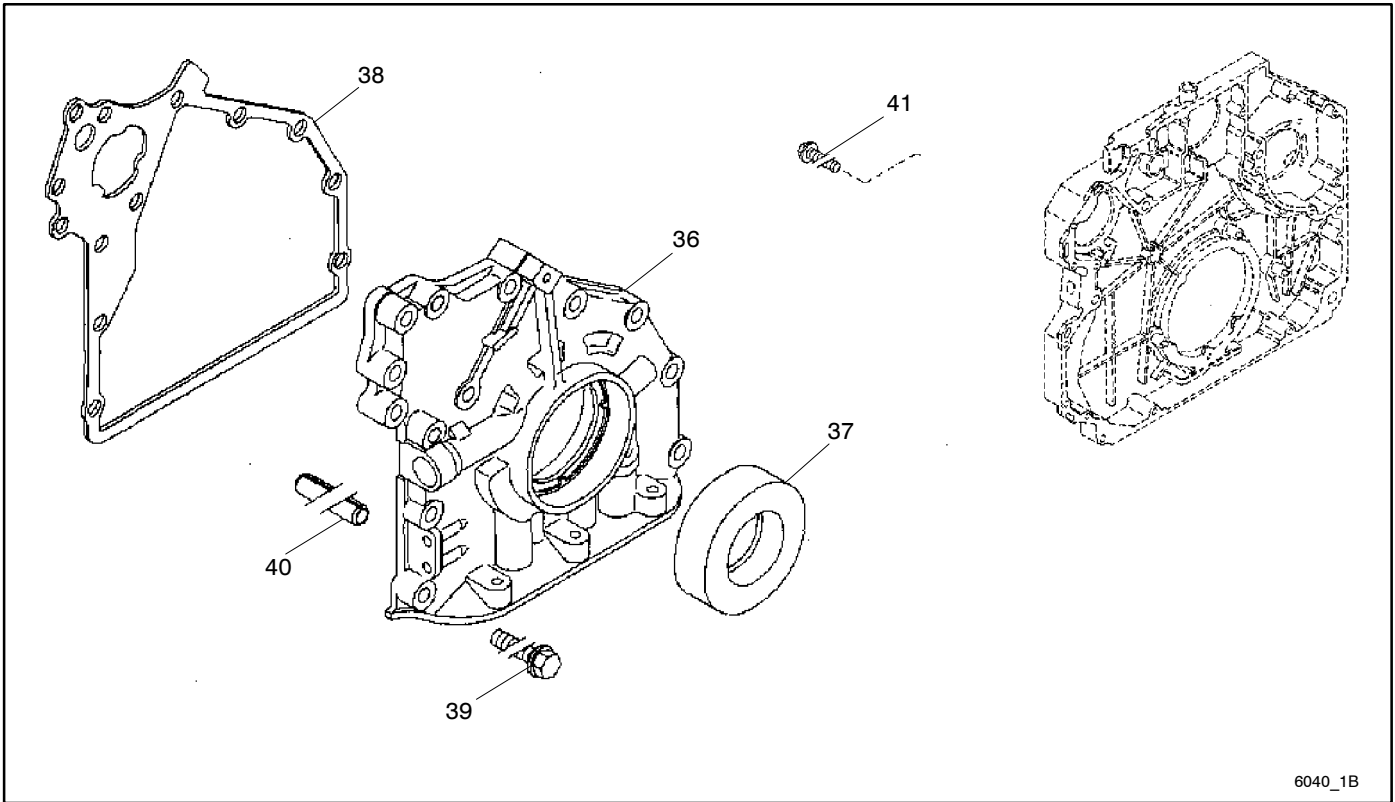
6040_1

Group 1: Crankcase

Item	Part Number	Description	Quantity
			Variation Number 1
1	GM12754	Core hole plug	1
2	GM12641	Safety/locking agent	1
3	GM12771	Dipstick	1
4	GM12716	O-seal	2
5	GM13015	Bleeding tube	1
6	GM12732	Spring band clamp	3
7	*	Pipe elbow	1
8	*	Pipe clamp	1
9	GM12778	Hexagon bolt	2
10	*	Hexagon nut	1
11	*	Bracket	1
12	GM13057	Pressure regulator	1
13	GM13103	Gasket	1
14	*	Hexagon bolt	2
15	GM13115	Rubber sleeve	1
16	*	Piston cooling nozzle	1
17	*	Hexagon bolt	2
18	GM12658	Sealing ring	2
19	GM13092	Guide tube	1
20	*	Crankcase	1
21	*	Hexagon bolt	10
22	*	Bush	10
23	*	Screw plug	1
24	GM12663	Sealing ring	3
25	*	Screw plug	1
26	*	Screw plug	1
27	*	Screw plug	2
28	*	Bearing bush	4
29	*	Bearing bush	1
30	*	Cover	6
31	*	Cover	4
32	GM12671	Screw plug	2
33	*	Guide sleeve	1
34	*	Screw plug	1
35	GM12641	Safety/locking agent	1

* Contact factory Service Parts Department

Group 1: Crankcase, continued

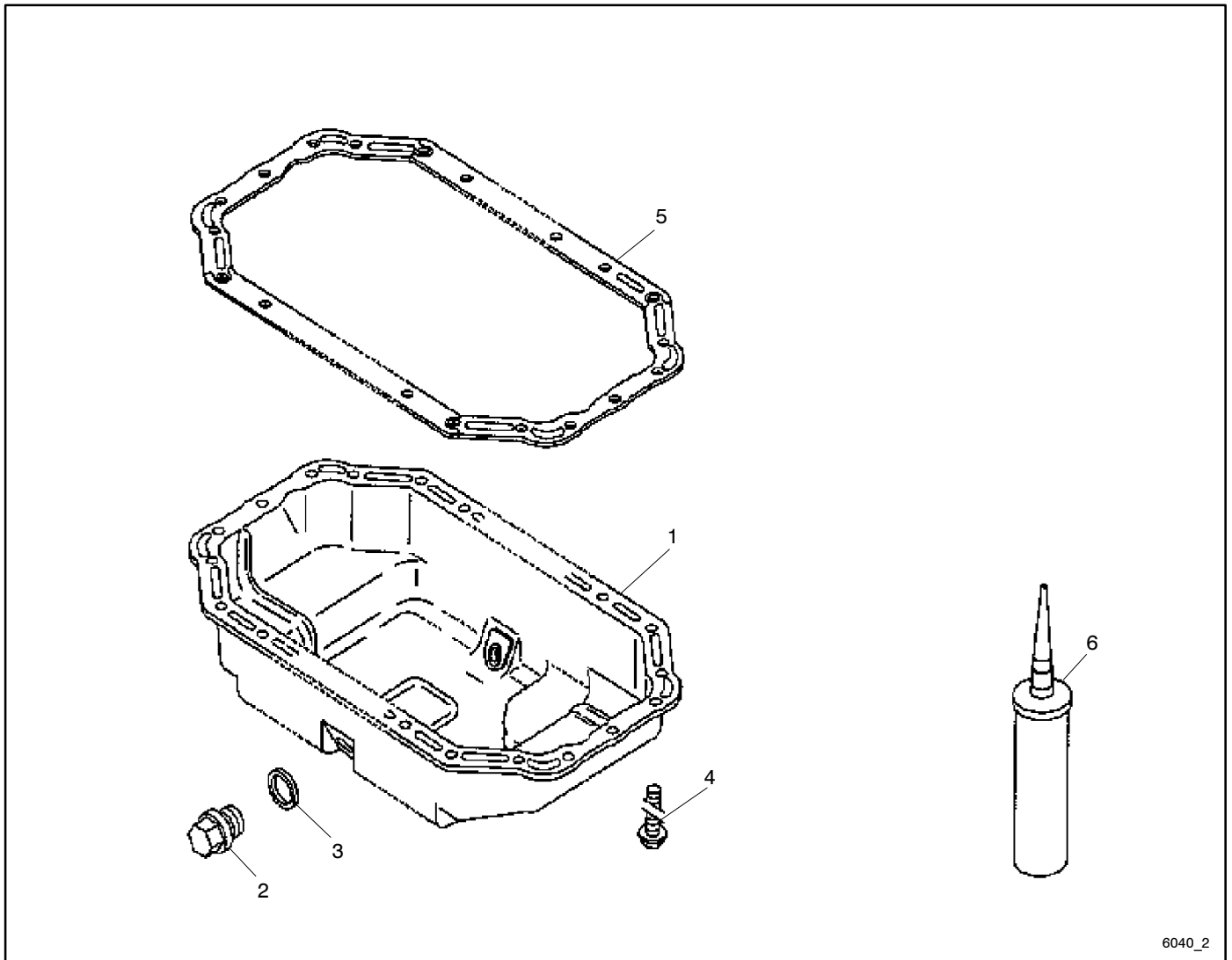


6040_1B

Item	Part Number	Description	Quantity
			Variation Number
36	*	Front cover	1
37	*	Rotating shaft lip seal	1
38	GM13088	Gasket	1
39	GM12690	Hexagon bolt	12
40	*	Clamping bush	1
41	GM12779	Hexagon bolt	4

* Contact factory Service Parts Department

Group 2: Oil Pan

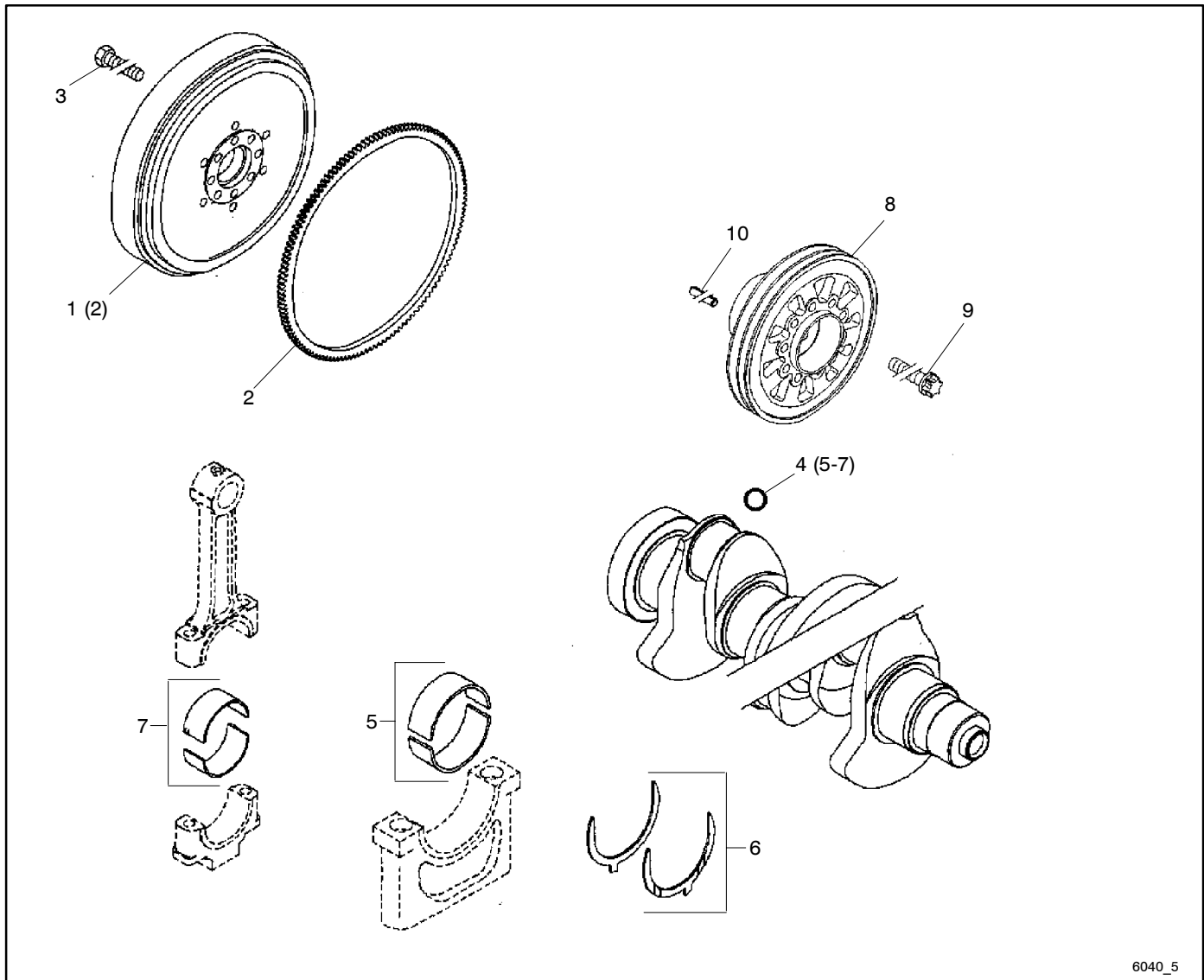


6040_2

Item	Part Number	Description	Quantity
			Variation Number
1	*	Oil pan	1
2	*	Screw plug	2
3	GM12667	Sealing ring	2
4	GM12691	Hexagon bolt	22
5	GM13090	Gasket	1
6	*	Packing compound	1

* Contact factory Service Parts Department

Group 5: Flywheel and Crankshaft

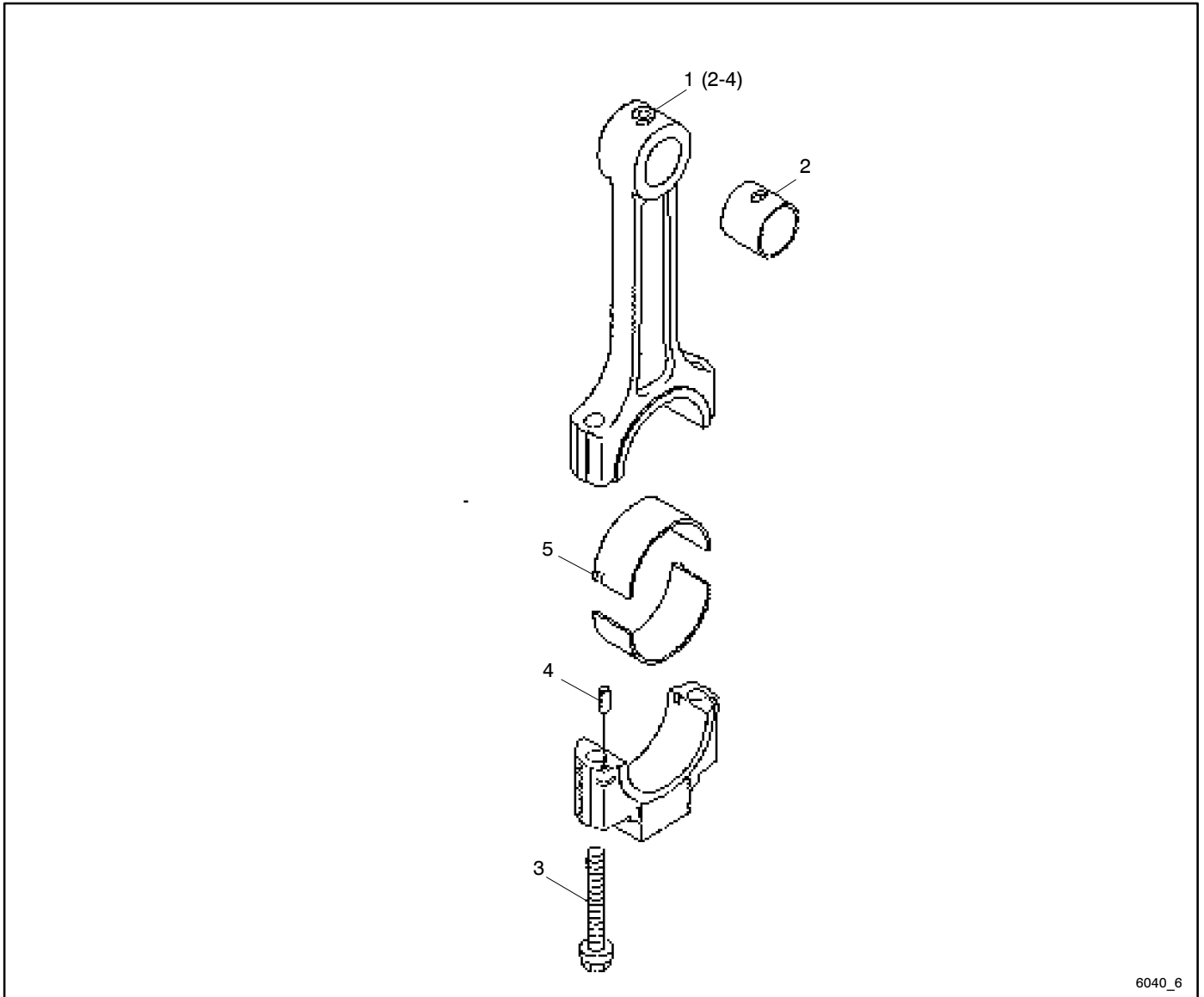


6040_5

Item	Part Number	Description	Quantity
			Variation Number
1	*	Flywheel	1
2	GM12871	Gear rim	1
3	GM13063	Hexagon bolt	10
4	*	Crankshaft	1
5	GM12879	Main bearing	5
5	GM12881	Main bearing	5
5	GM12893	Main bearing	5
6	GM12880	Thrust washer	1
6	*	Thrust washer	1
7	GM12877	Big end bearing	4
7	GM12878	Big end bearing	4
7	GM12894	Big end bearing	4
8	*	V-grooved pulley	1
9	*	Torx-head bolt	4
10	*	Clamping bush	1

* Contact factory Service Parts Department

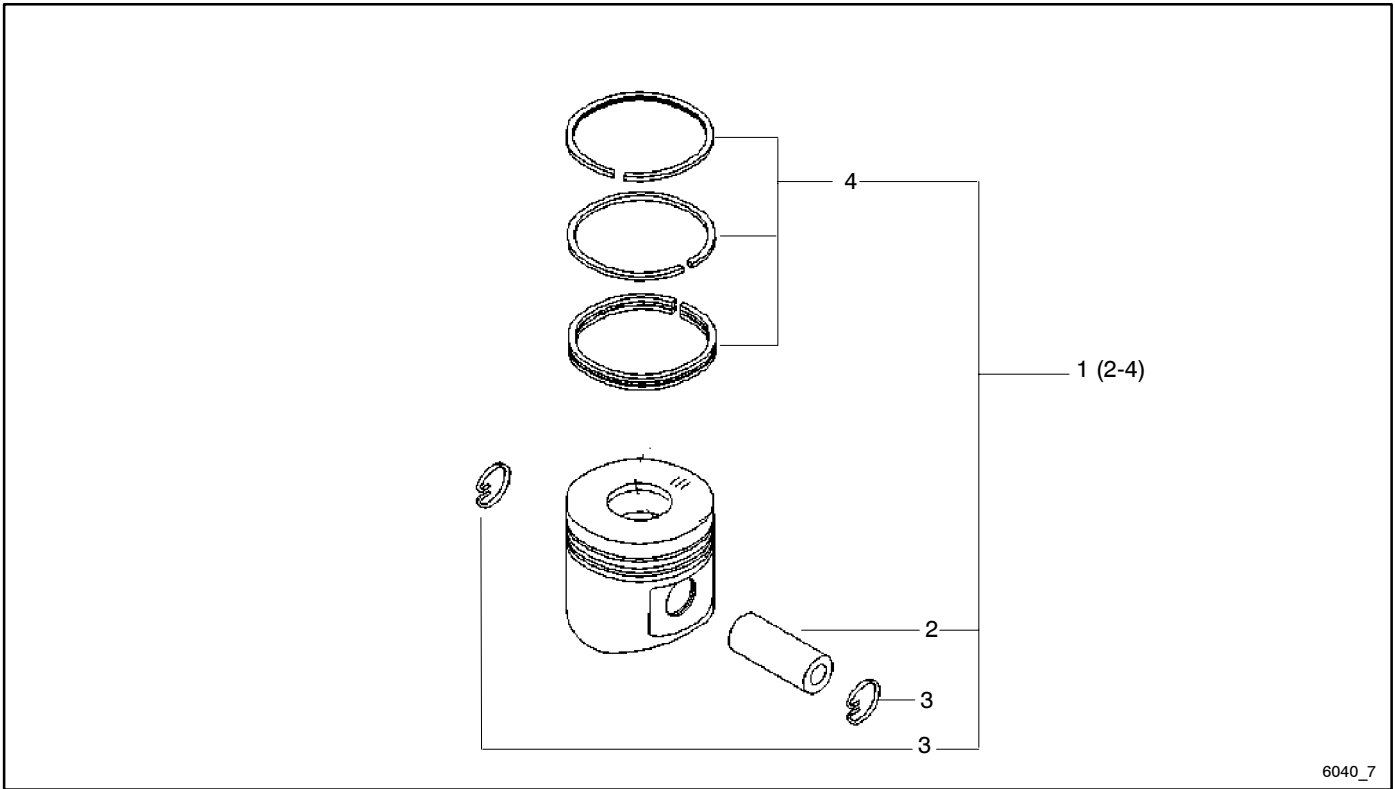
Group 6: Connecting Rod



6040_6

Item	Part Number	Description	Quantity
			Variation Number
1	GM12983	Connecting rod	1
2	GM12990	Big end bush	1
3	GM12984	Big end bolt	2
4	GM12694	Straight pin	2
5	GM12877	Big end bearing	1
5	GM12878	Big end bearing	1

Group 7: Piston

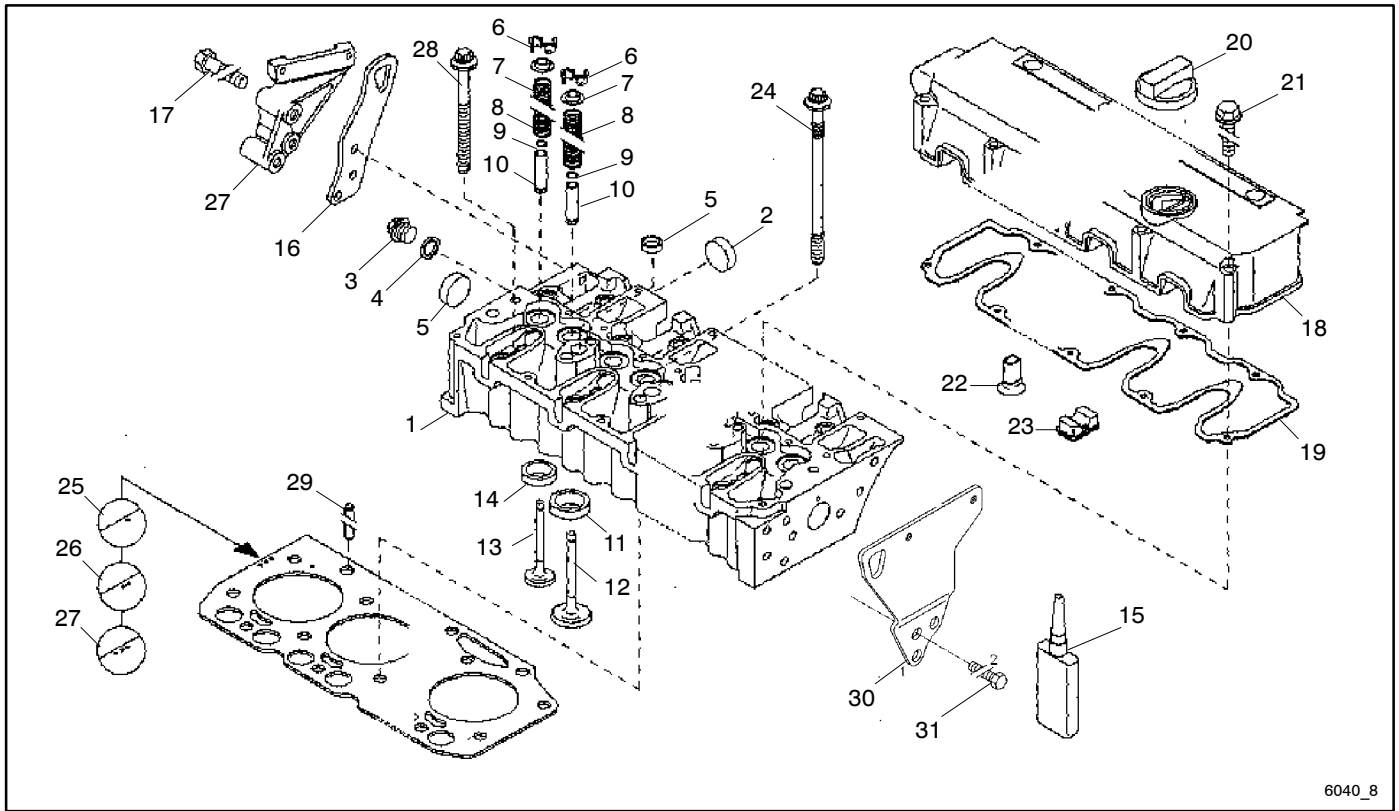


6040_7

Item	Part Number	Description	Quantity
			Variation Number
1	GM13160	Piston	1
2	GM12976	Piston pin	1
3	*	Circlip	2
4	GM13149	Set of piston rings	1

* Contact factory Service Parts Department

Group 8: Cylinder Head

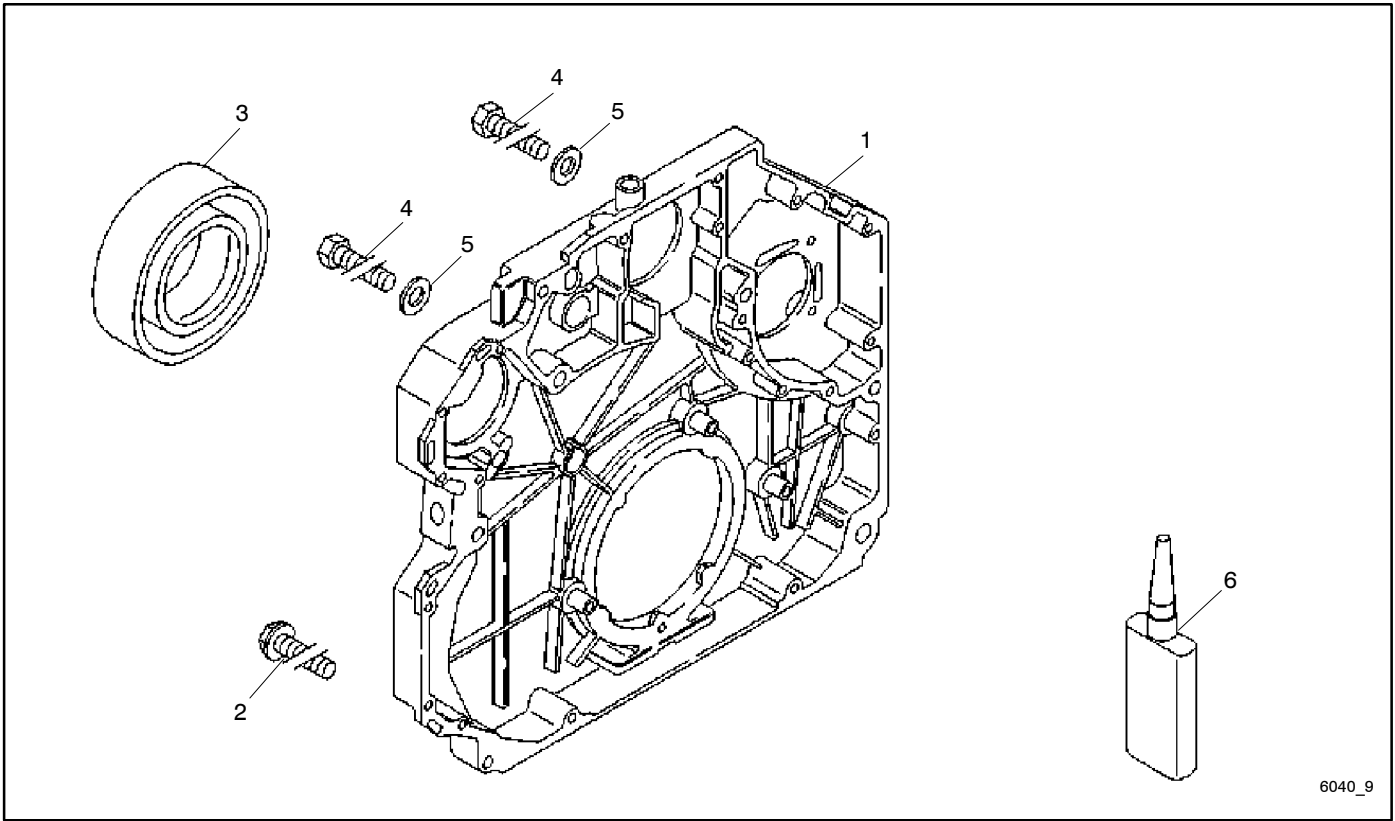


6040_8

Item	Part Number	Description	Quantity
			Variation Number
1	*	Cylinder head	1
2	GM12754	Core hole plug	4
3	GM12643	Screw plug	1
4	GM12659	Sealing ring	1
5	GM12707	Core hole plug	3
6	GM12845	Valve collet	16
7	GM12979	Spring cap	8
8	GM12902	Compression spring	8
9	GM12733	O-seal	8
10	GM12986	Valve guide	8
11	GM12978	Valve seat insert	4
12	*	Inlet valve	4
13	GM13121	Exhaust valve	4
14	GM12977	Valve seat insert	4
15	GM12638	Safety/locking agent	1
16	*	Suspensing plate	1
17	*	Hexagon bolt	3
18	GM13002	Valve mechanical cover	1
19	GM13019	Gasket	1
20	GM12753	Filler cap	1
21	*	Hexagon bolt	9
22	*	Nozzle	1
23	*	Cap	1
24	*	Cylinder head bolt	5
25	*	Cylinder head gasket	1
26	GM13143	Cylinder head gasket	1
27	*	Cylinder head gasket	1
28	*	Cylinder head bolt	13
29	GM12709	Clamping bush	2
30	*	Suspensing plate	1
31	*	Hexagon bolt	3

* Contact factory Service Parts Department

Group 9: Timing Gear Cover

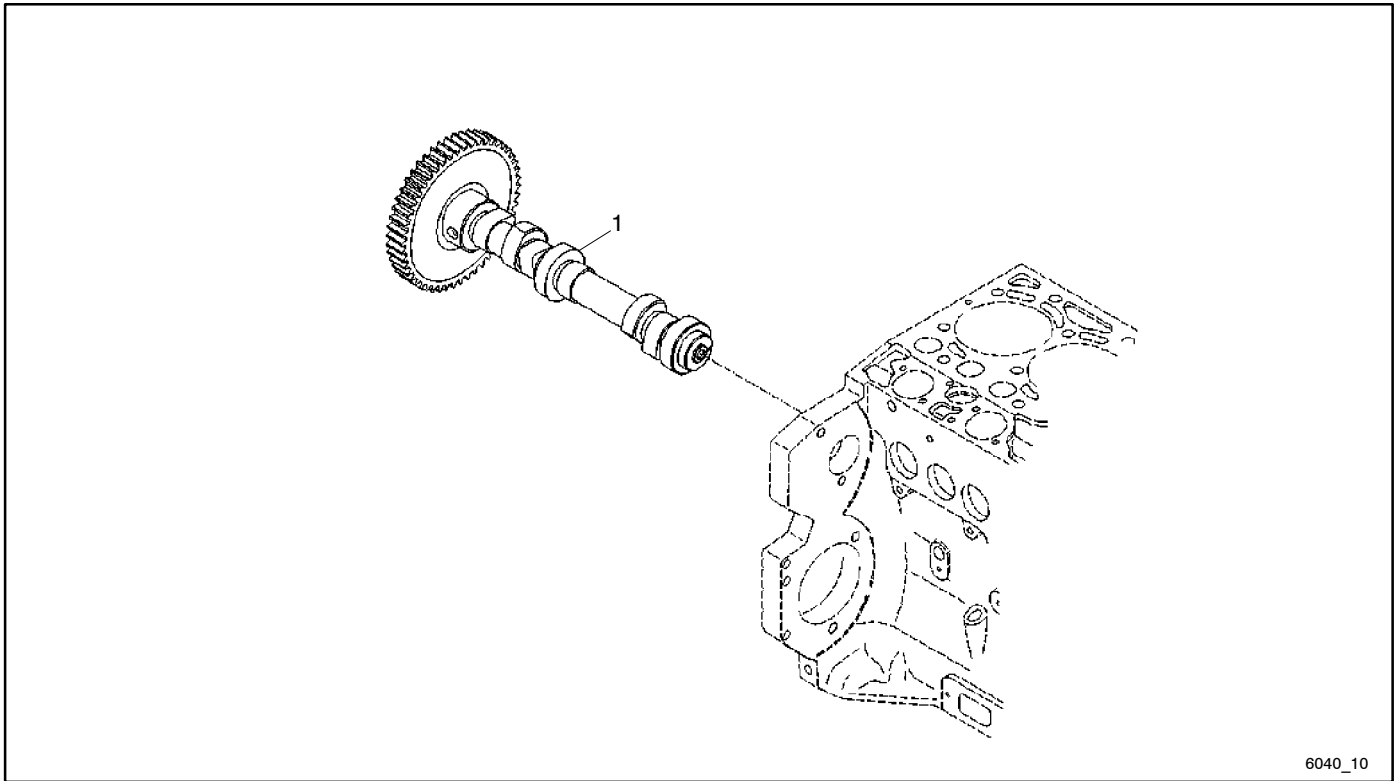


6040_9

Item	Part Number	Description	Quantity
			Variation Number
1	*	Gearcase	1
2	GM12773	Hexagon bolt	12
3	GM12981	Rotating shaft lip seal	1
4	*	Hexagon bolt	2
5	*	Plain washer	2
6	GM12637	Packing compound	1

* Contact factory Service Parts Department

Group 10: Camshaft

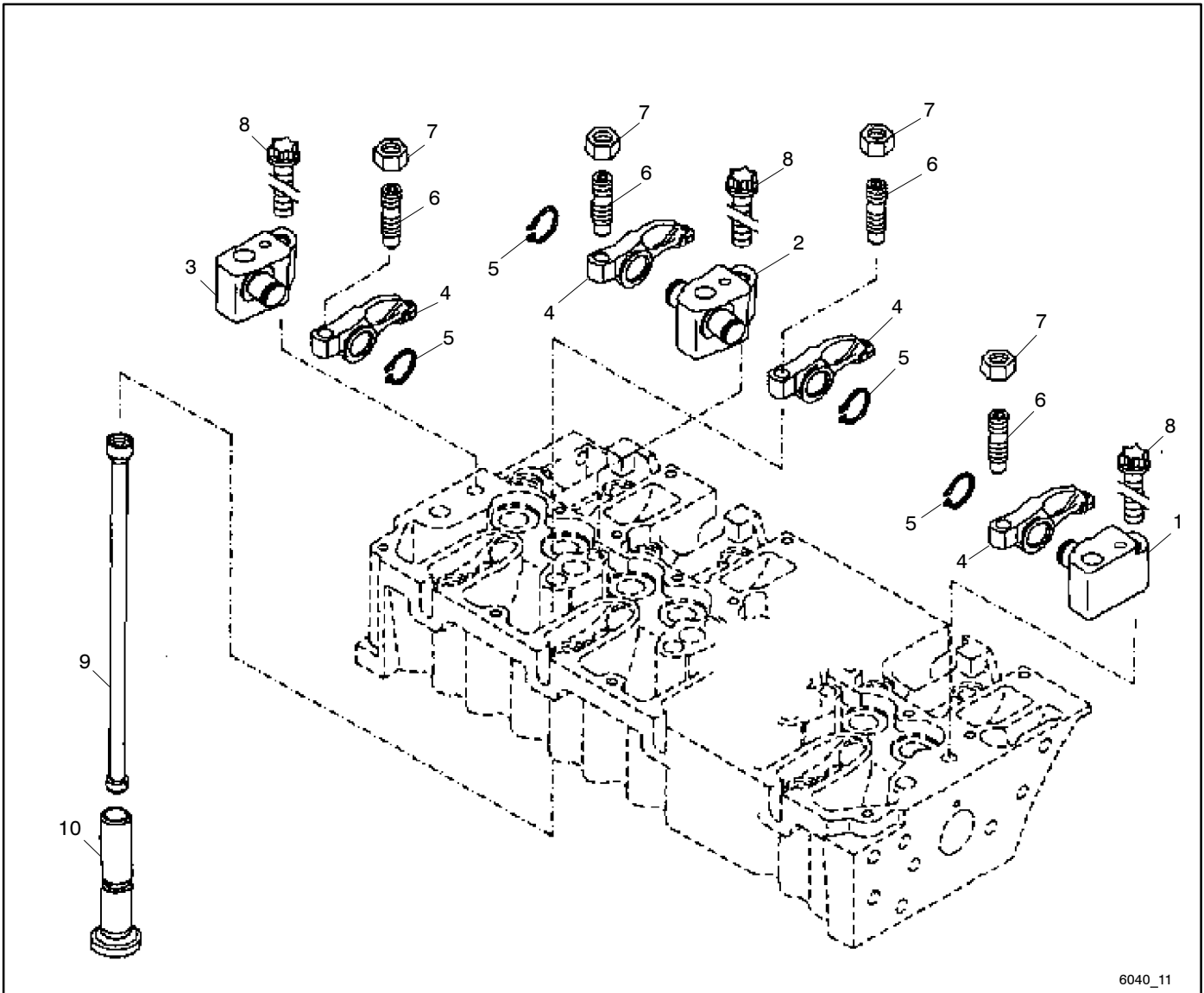


6040_10

Item	Part Number	Description	Quantity
			Variation Number
1	*	Camshaft	1

* Contact factory Service Parts Department

Group 11: Rocker Arms and Push Rods

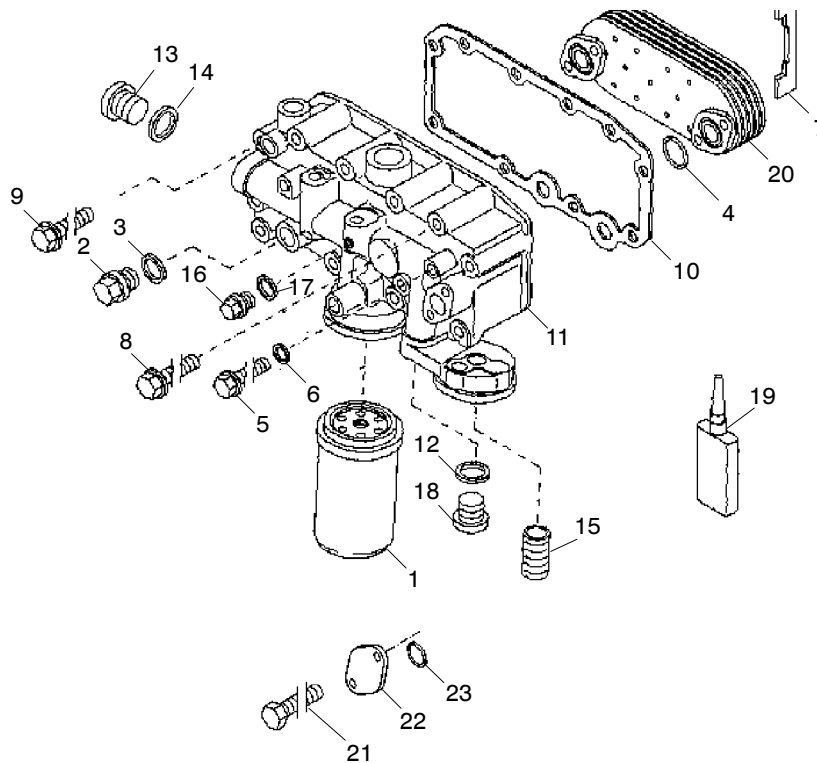


6040_11

Item	Part Number	Description	Quantity
			Variation Number
1	GM12993	Rocker arm bracket	1
2	GM12991	Rocker arm bracket	3
3	GM12992	Rocker arm bracket	1
4	GM13061	Rocker arm	8
5	GM12648	Circlip	8
6	GM12901	Adjusting screw	8
7	GM12851	Hexagon nut	8
8	GM12749	Torx-head bolt	5
9	*	Pushrod	2
10	*	Tappet	2

* Contact factory Service Parts Department

Group 15: Lube Oil Cooler

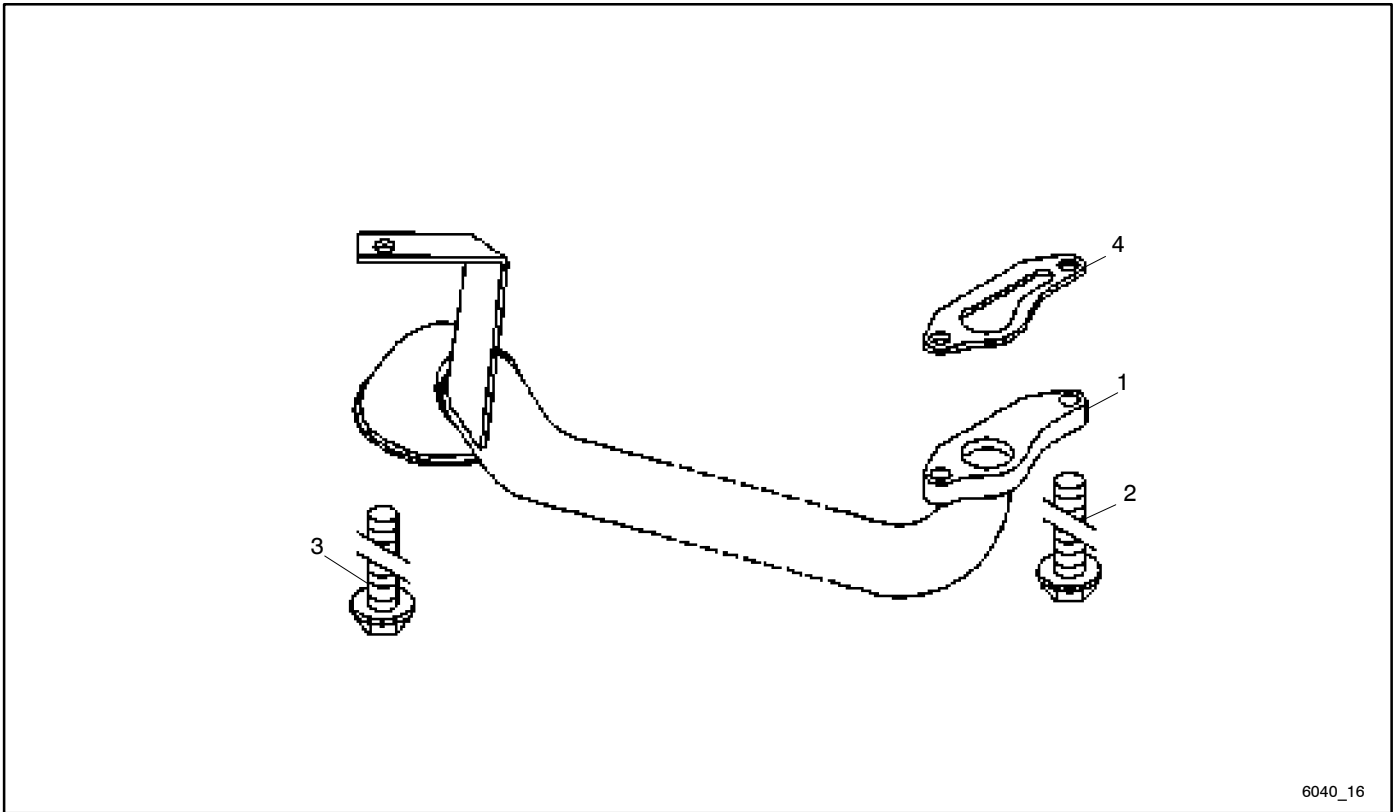


6040_15

Item	Part Number	Description	Quantity
			Variation Number
1	GM12718	Spin-on oil filter	1
2	*	Screw plug	1
3	GM12666	Sealing ring	1
4	*	O-seal	2
5	*	Hexagon bolt	4
6	*	Sealing ring	4
7	*	Blocking plate	1
8	GM12774	Hexagon bolt	9
9	*	Hexagon bolt	1
10	GM13122	Gasket	1
11	GM13113	Oil cooler box	1
12	GM12669	Sealing ring	1
13	GM12645	Screw plug	1
14	*	Sealing ring	1
15	*	Screwed bush	1
16	GM12672	Screw plug	1
17	*	Sealing ring	1
18	GM12644	Screw plug	1
19	*	Safety/locking agent	1
20	*	Oil cooler	1
21	*	Hexagon bolt	1
22	*	Blank flange	1
23	*	O-seal	1

* Contact factory Service Parts Department

Group 16: Oil Intake Pipe

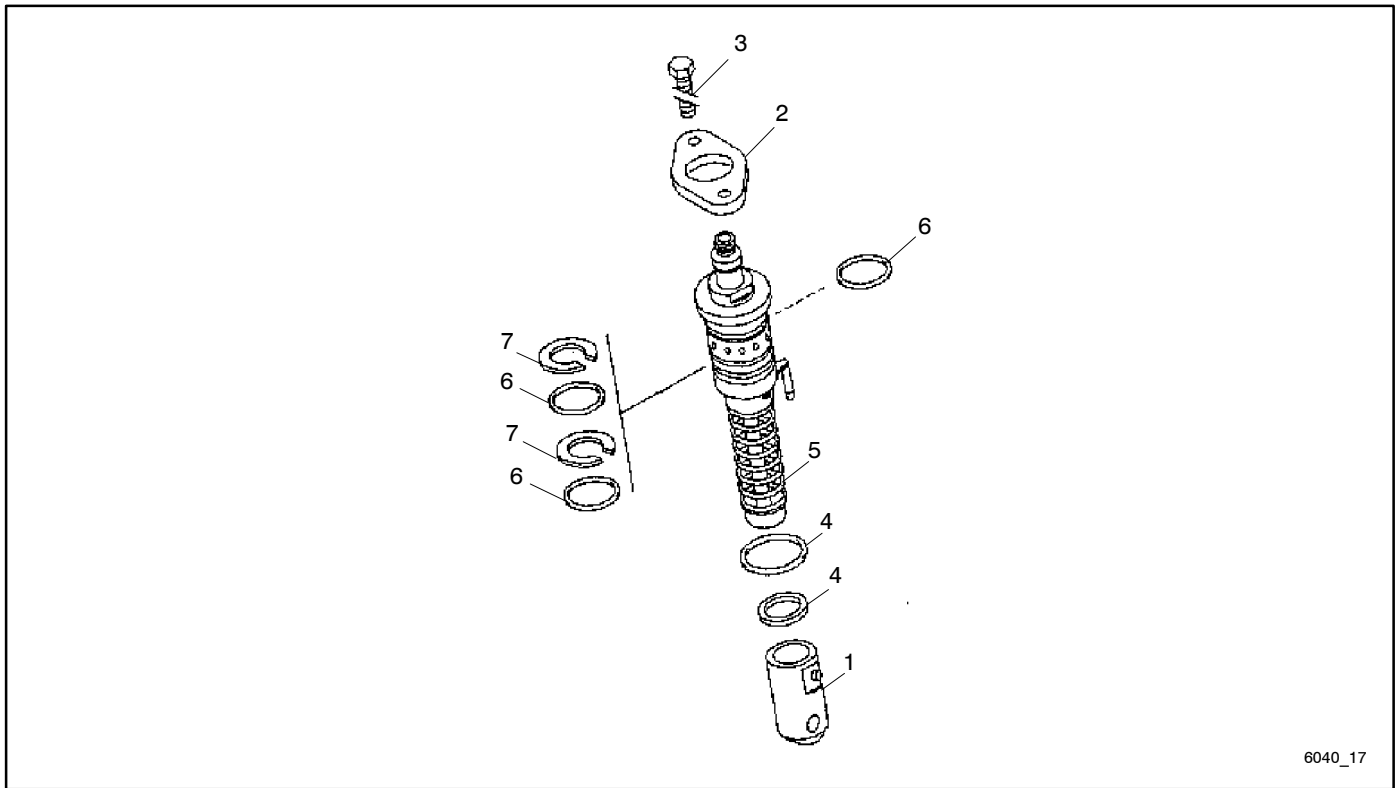


6040_16

Item	Part Number	Description	Quantity
			Variation Number
1	GM13102	Oil suction pipe	1
2	*	Hexagon bolt	2
3	GM12778	Hexagon bolt	1
4	GM13017	Gasket	1

* Contact factory Service Parts Department

Group 17: Fuel Injection Pump

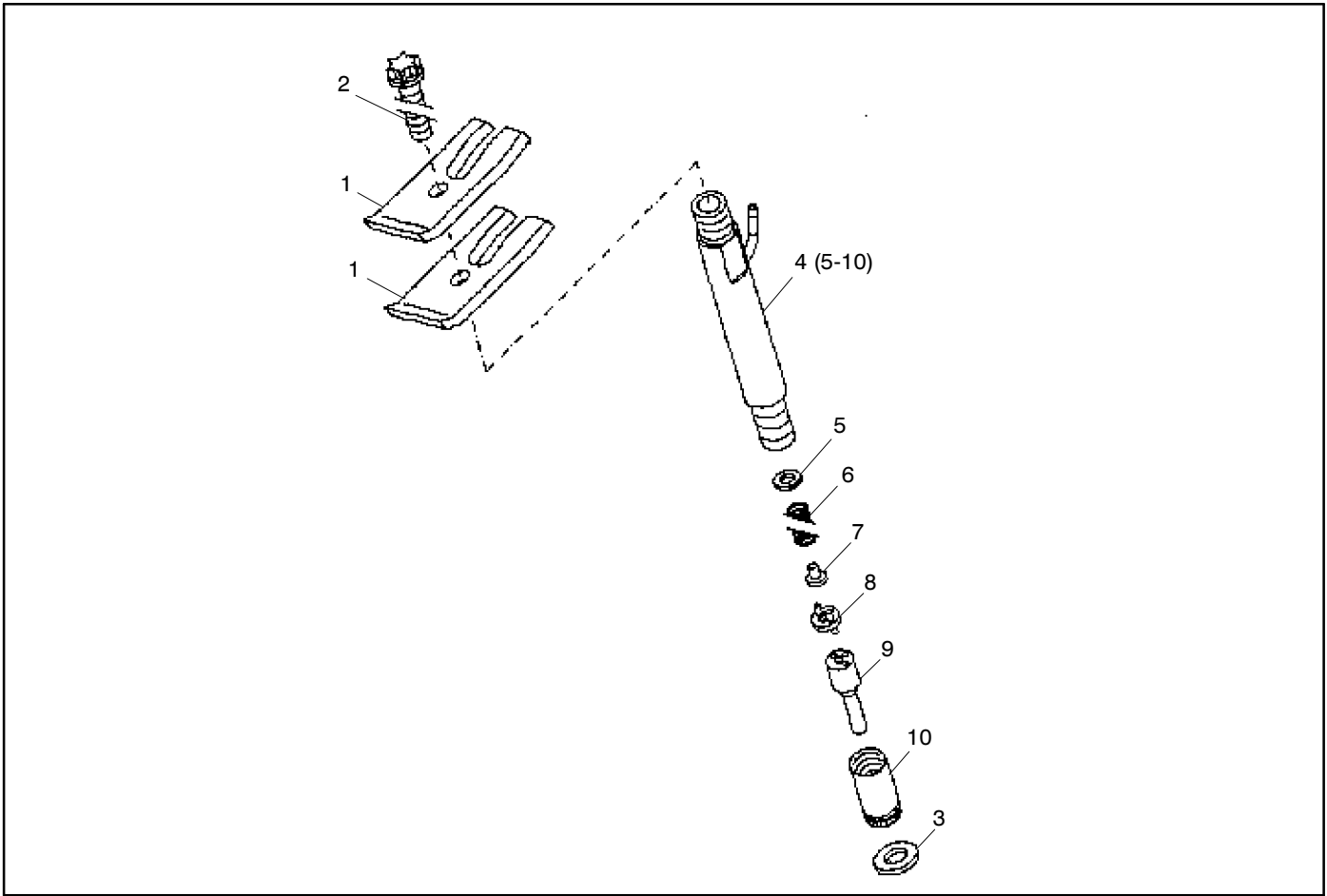


6040_17

Item	Part Number	Description	Quantity
			Variation Number
1	GM12868	Roller tappet	1
2	GM13051	Flange	1
3	GM12687	Hexagon bolt	2
4	GM13064	Shim, 1.0 mm	1
4	GM13065	Shim, 1.1 mm	1
4	GM13066	Shim, 1.2 mm	1
4	GM13067	Shim, 1.3 mm	1
4	GM13068	Shim, 1.4 mm	1
4	GM13069	Shim, 1.5 mm	1
4	GM13070	Shim, 1.6 mm	1
4	GM13071	Shim, 1.7 mm	1
4	GM13072	Shim, 1.8 mm	1
4	GM13073	Shim, 1.9 mm	1
4	GM13074	Shim, 2.0 mm	1
4	GM13075	Shim, 2.1 mm	1
4	GM13076	Shim, 2.2 mm	1
4	GM13077	Shim, 2.3 mm	1
4	GM13078	Shim, 2.4 mm	1
4	GM13079	Shim, 2.5 mm	1
4	GM13080	Shim, 2.6 mm	1
4	GM13081	Shim, 2.7 mm	1
4	GM13082	Shim, 2.8 mm	1
4	GM13083	Shim, 2.9 mm	1
4	GM13084	Shim, 3.0 mm	1
4	GM13085	Shim, 3.1 mm	1
4	GM13086	Shim, 3.2 mm	1
4	GM13087	Shim, 3.3 mm	1
5	GM12862	Fuel injection pump	1
6	GM12828	O-ring	3
7	GM12829	Shim	2

* Contact factory Service Parts Department

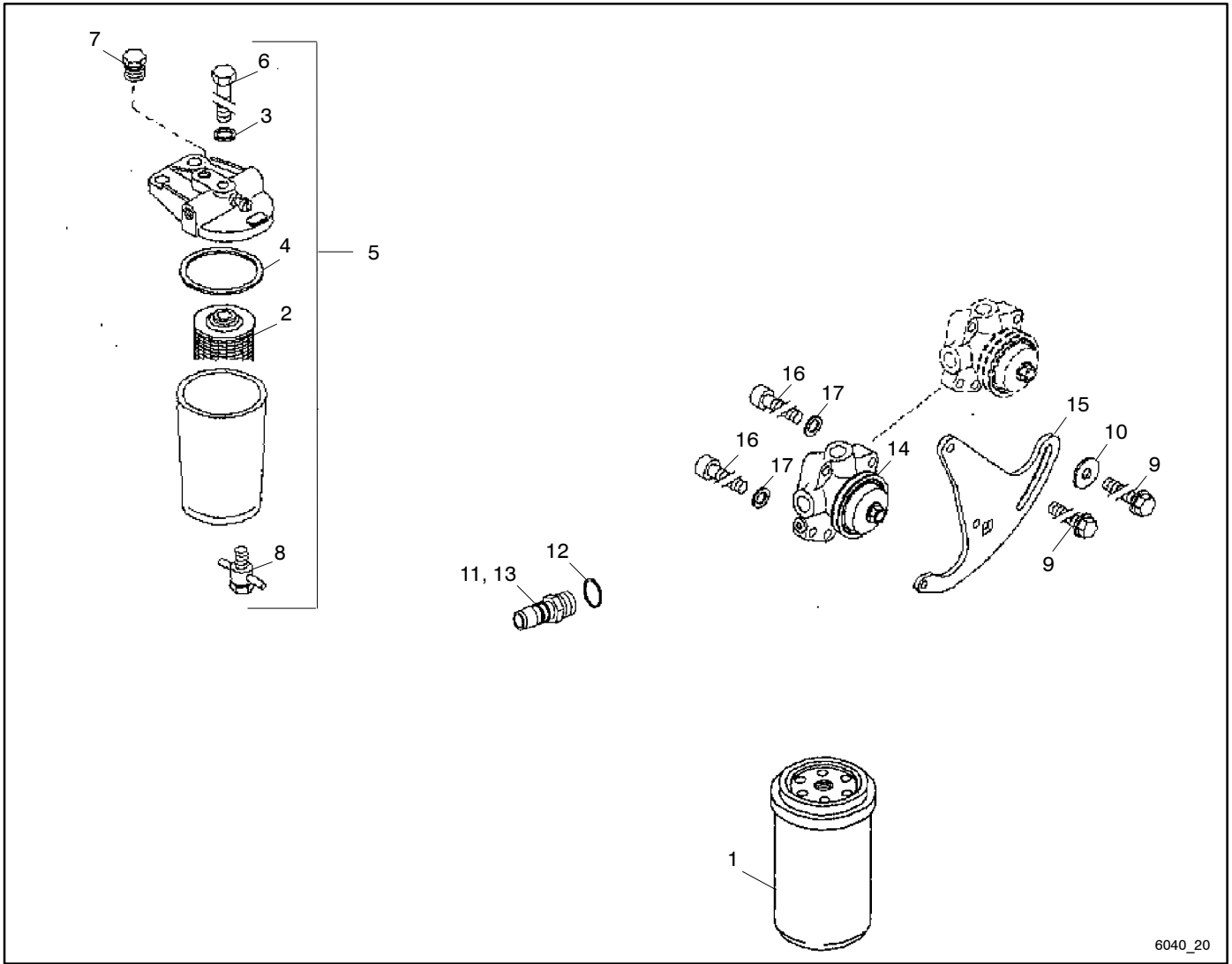
Group 19: Fuel Injector



Item	Part Number	Description	Quantity
			Variation Number
1	GM13050	Claw	2
2	*	Torx-head bolt	1
3	GM12925	Sealing ring	1
4	GM12866	Fuel injector	1
5	GM12803	Shim	1
5	GM12807	Shim, oversize 1.04 mm	1
5	GM12808	Shim, oversize 1.08 mm	1
5	GM12804	Shim, oversize 1.10 mm	1
5	GM12809	Shim, oversize 1.14 mm	1
5	GM12810	Shim, oversize 1.18 mm	1
5	GM12811	Shim, oversize 1.20 mm	1
5	GM12805	Shim, oversize 1.24 mm	1
5	GM12812	Shim, oversize 1.28 mm	1
5	GM12813	Shim, oversize 1.30 mm	1
5	GM12814	Shim, oversize 1.34 mm	1
5	GM12815	Shim, oversize 1.38 mm	1
5	GM12816	Shim, oversize 1.40 mm	1
5	GM12817	Shim, oversize 1.44 mm	1
5	GM12818	Shim, oversize 1.48 mm	1
5	GM12806	Shim, oversize 1.50 mm	1
5	GM12819	Shim, oversize 1.54 mm	1
6	GM12820	Compression spring	1
7	*	Thrust bolt	1
8	*	Spacer	1
9	GM12867	Nozzle element	1
10	GM12821	Nozzle cap nut	1

* Contact factory Service Parts Department

Group 20: Fuel Pump and Fuel Filter

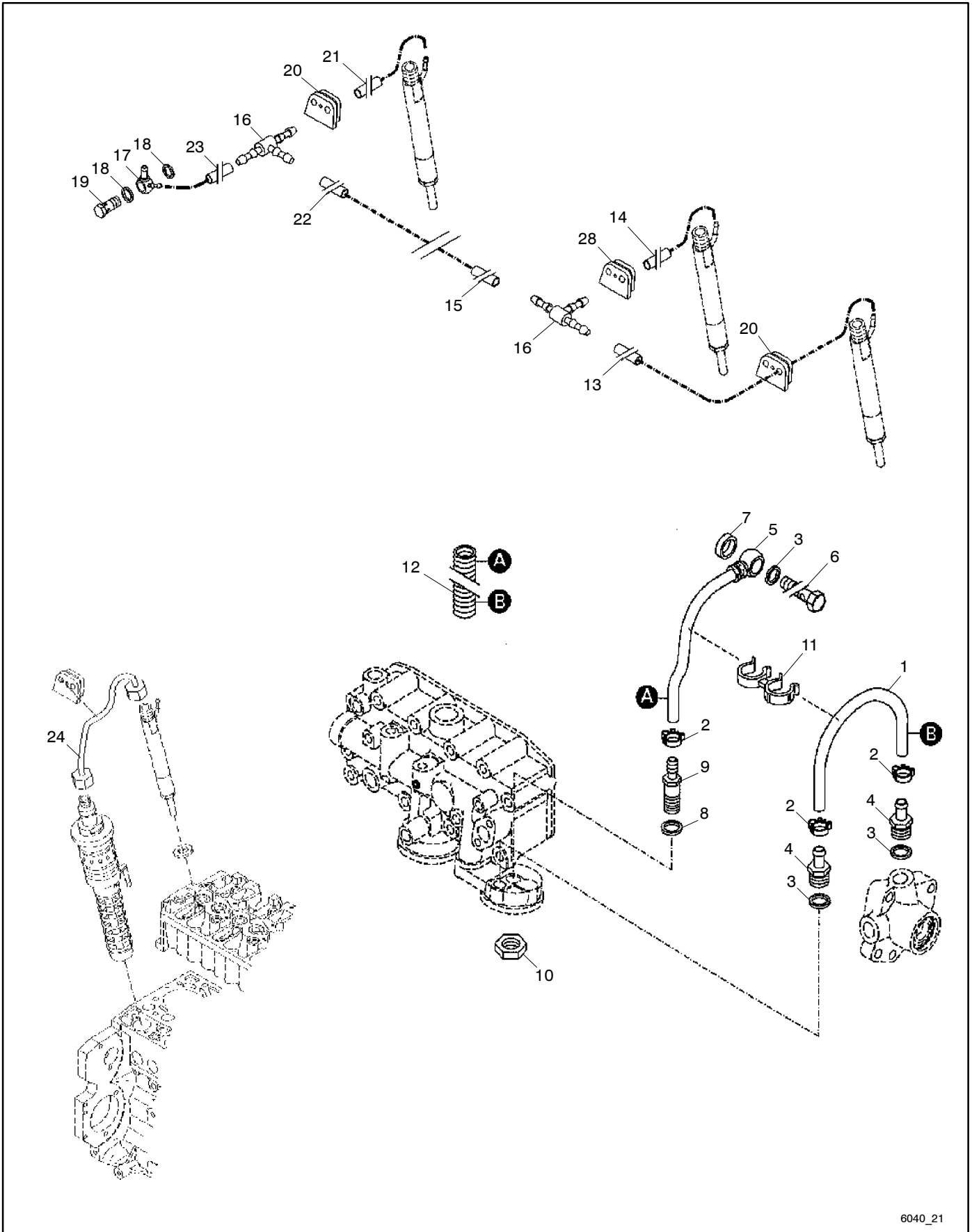


6040_20

Item	Part Number	Description	Quantity
			Variation Number
1	GM12788	Spin-on fuel filter	1
2	GM12710	Strainer element	1
3	GM12658	Sealing ring	1
4	GM12799	Gasket	1
5	GM12855	Fuel filter	1
6	*	Hexagon bolt	1
7	GM12798	Vent plug	1
8	*	Drain plug	1
9	*	Hexagon bolt	2
10	*	Plain washer	1
11	*	Hose connector	1
12	GM12665	Sealing ring	1
13	GM12784	Socket/adaptor	1
14	*	Fuel pump	1
15	*	Clamping strap	1
16	*	Cheese head screw	2
17	*	Spring washer	2

* Contact factory Service Parts Department

Group 21: Fuel Pipes



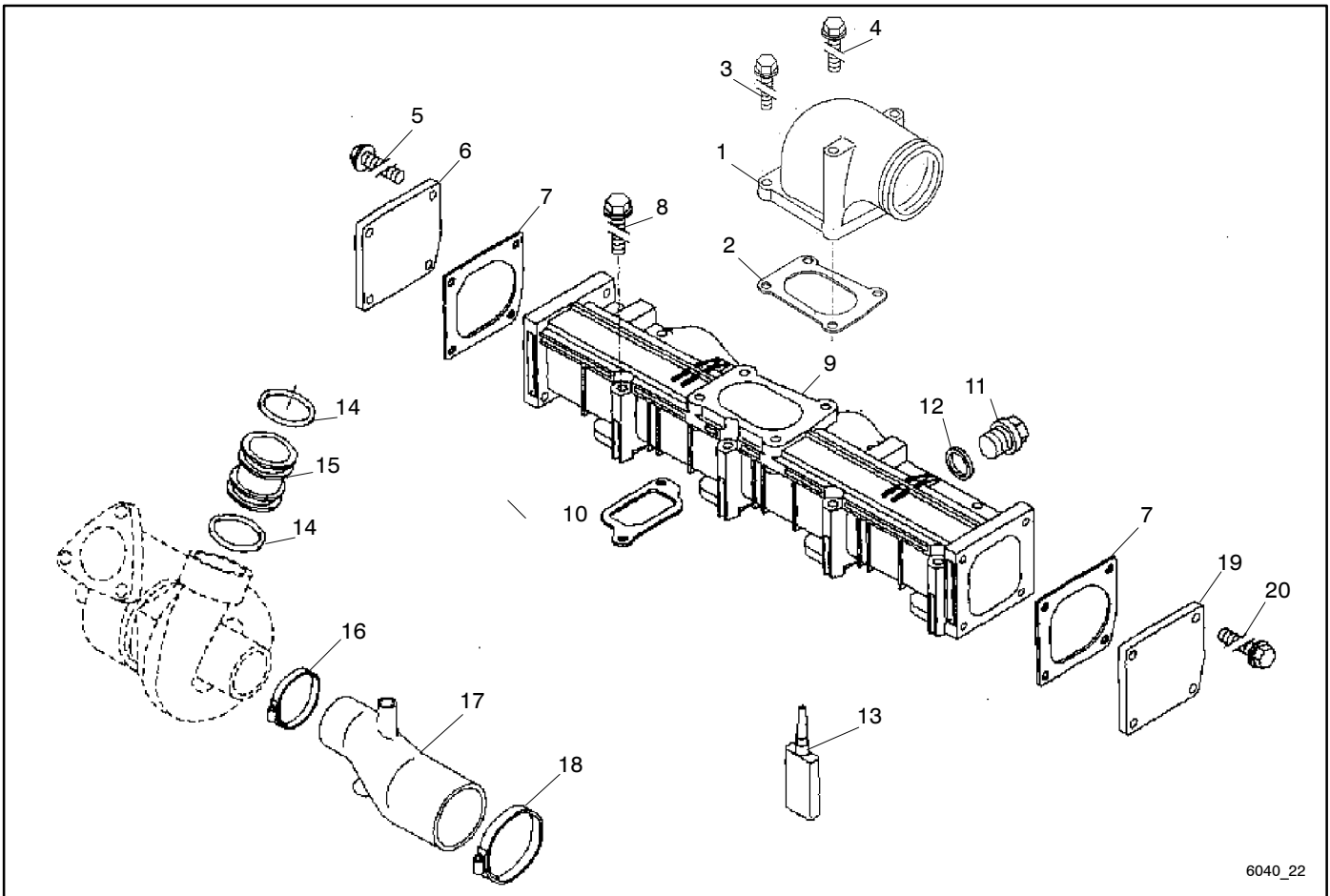
6040_21

Group 21: Fuel Pipes

Item	Part Number	Description	Quantity
			Variation Number
			1
1	*	Hose	1
2	*	Hose clip	3
3	GM12662	Sealing ring	3
4	*	Hose nipple	2
5	*	Fuel line	1
6	GM12786	Hollow screw	1
7	GM12857	Sealing ring	1
8	GM12665	Sealing ring	1
9	*	Hose sleeve	1
10	*	Hexagon nut	1
11	*	Hose retainer	1
12	*	Corrugated tube	1
13	*	Rubber hose	1
14	*	Rubber hose	1
15	*	Rubber hose	1
16	*	T-fitting	2
17	GM13001	Banjo fitting	1
18	GM12663	Sealing ring	2
19	*	Pressurestat	1
20	GM13006	Rubber seal	4
21	*	Rubber hose	1
22	*	Rubber hose	1
23	*	Rubber hose	1
24	*	High pressure pipe	1

* Contact factory Service Parts Department

Group 22: Air Intake



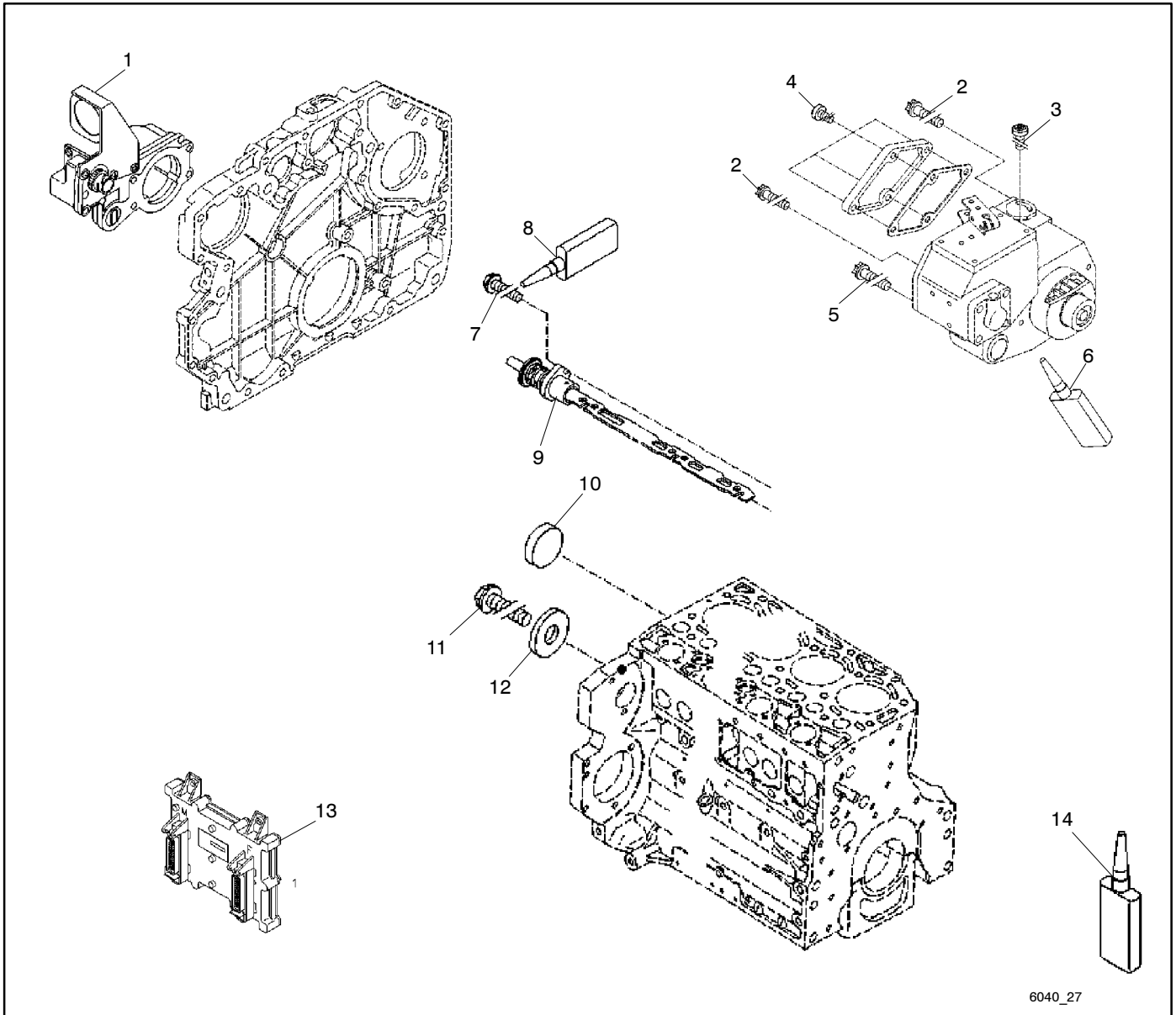
6040_22

Item	Part Number	Description	Quantity	
			Variation Number	
			1	2
1	*	Plug-in flange	1	
1	*	Air elbow		1
2	*	Gasket	1	
2	*	Gasket		1
3	GM12690	Hexagon bolt	2	
3	*	Hexagon bolt		2
4	*	Hexagon bolt		2
5	*	Hexagon bolt	4	4
6	*	Cover	1	1
7	GM13016	Gasket	12	12
7	GM13016	Gasket	1	1
8	*	Hexagon bolt		8
8	GM12777	Hexagon bolt	8	
9	*	Charge air pipe		1
9	*	Charge air pipe	1	
10	GM13011	Gasket	4	4
11	*	Screw plug		1
12	GM12659	Sealing ring		1

Item	Part Number	Description	Quantity	
			Variation Number	
			1	2
13	*	Safety/locking agent	1	
13	GM12641	Safety/locking agent		1
14	GM12737	O-seal	2	
14	*	Hose clip		1
14	GM12737	O-seal		1
15	GM13116	Plug	1	
15	*	Manifold		1
16	GM12712	Hose clip	1	1
17	*	Reducer	1	1
18	*	Hose clip	1	1
19	*	Cover	1	1
20	*	Hexagon bolt	4	4

* Contact factory Service Parts Department

Group 27: Speed Control

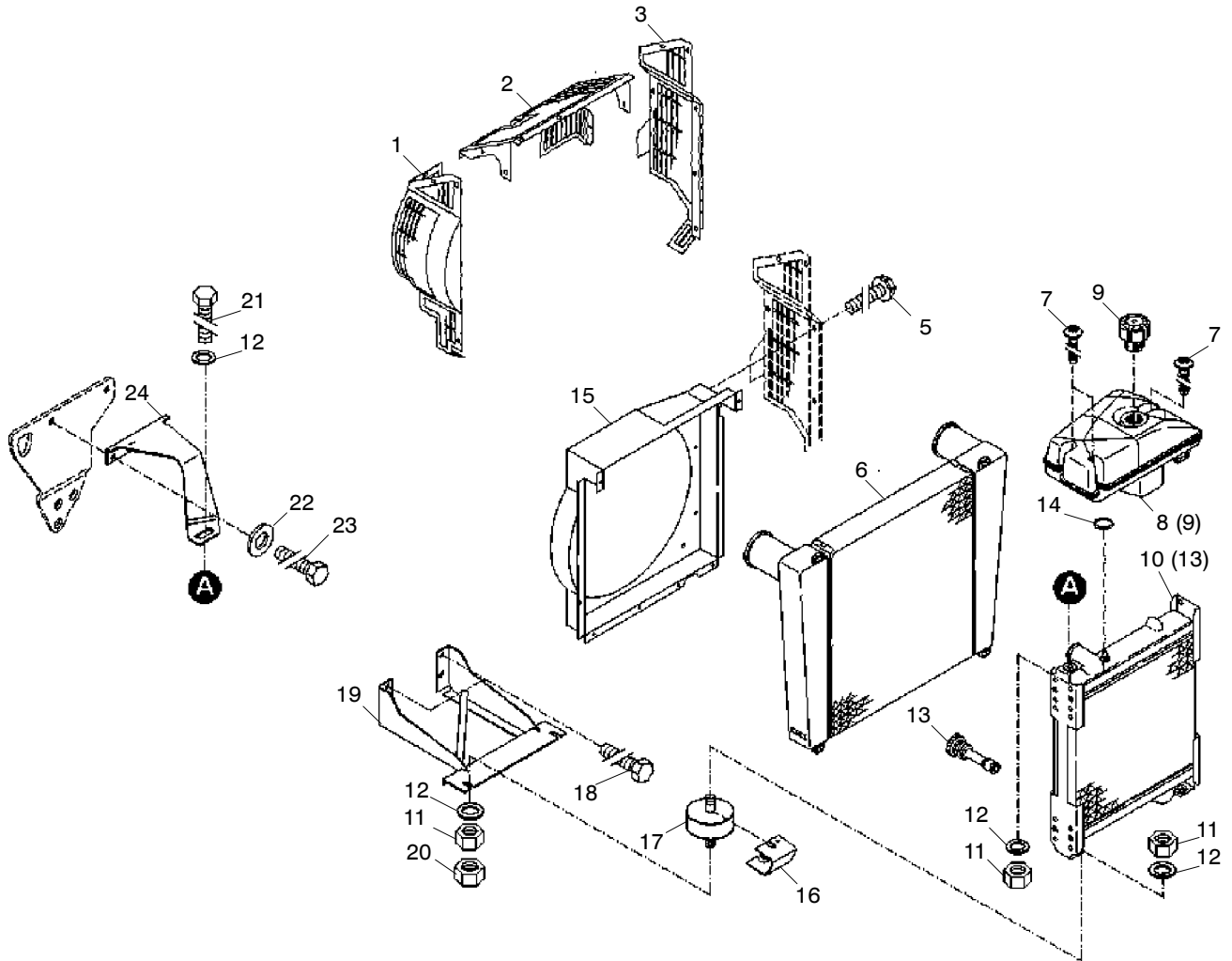


6040_27

Item	Part Number	Description	Quantity	
			Variation	Number
1	*	Actuator	1	1
2	*	Cheese head screw	2	2
3	*	Locking screw	1	1
4	*	Locking screw	4	4
5	*	Cheese head screw	3	3
6	*	Packing compound	1	1
7	GM12776	Hexagon bolt		1
8	*	Safety/locking agent		1
9	*	Control rod		1
10	*	Cover		1
11	*	Hexagon bolt		1
12	*	Plain washer		1
13	*	Control unit	1	1
14	GM12641	Safety/locking agent	1	1

* Contact factory Service Parts Department

Group 36: Cooling System



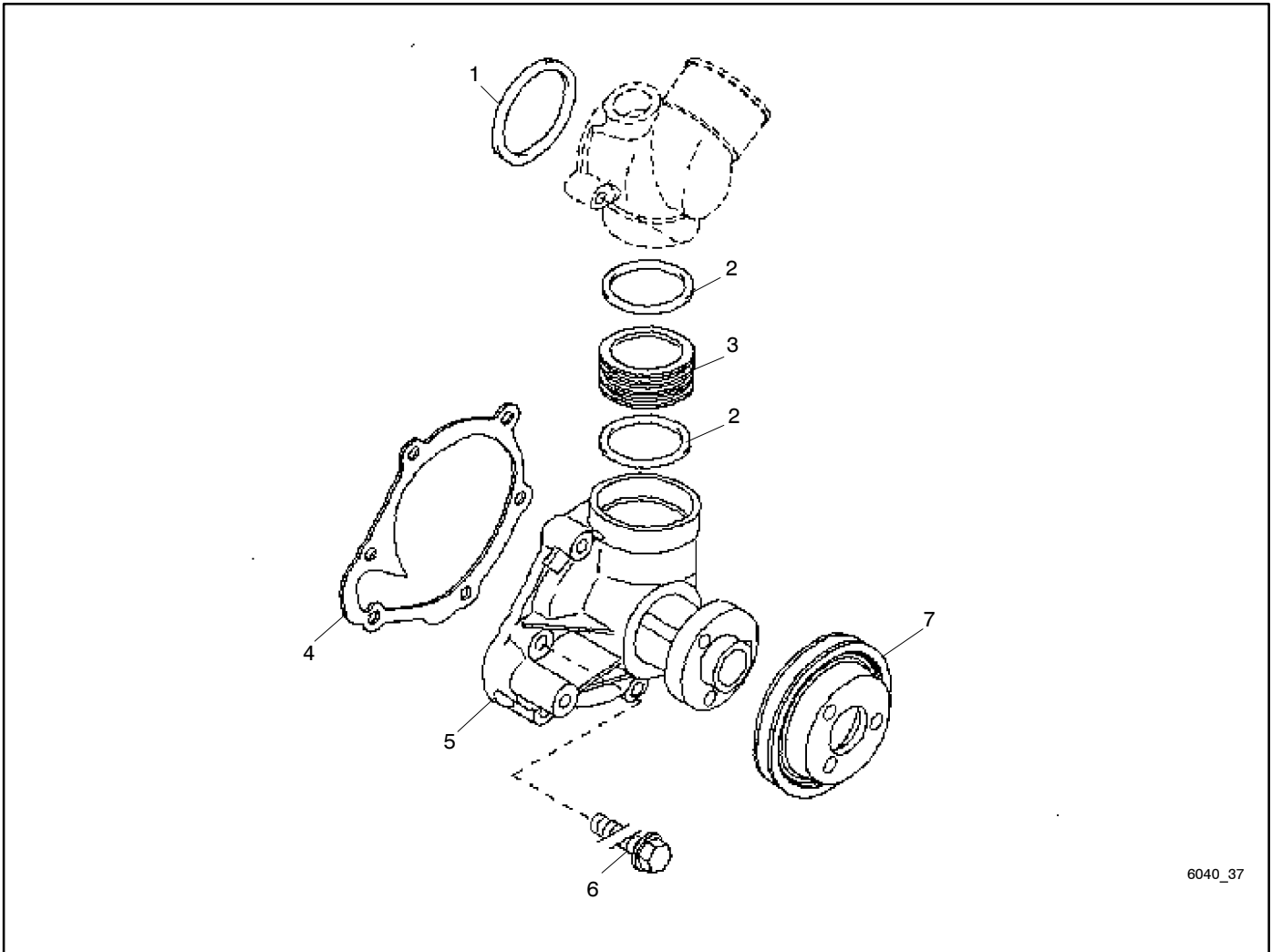
6040_36

Group 36: Cooling System

Item	Part Number	Description	Quantity	
			Variation Number	
			1	2
1	*	Grille/grid	1	
1	*	Grille/grid		1
2	*	Grille/grid	1	
2	*	Grille/grid		1
3	*	Grille/grid	1	
3	*	Grille/grid		1
5	*	Hexagon bolt	12	1
6	GM13120	Charge air cooler		1
7	*	Thread cutting screw	3	3
8	*	Expansion tank	1	1
9	*	Filler cap	1	1
10	GM13157	Coolant cooler	1	
10	GM13156	Coolant cooler		1
11	*	Hexagon nut	4	
11	*	Hexagon nut		5
12	*	Plain washer	2	
12	*	Plain washer	6	
12	*	Plain washer		8
13	*	Drain plug	1	1
14	*	O-seal	1	1
15	*	Fan cowling	1	
15	*	Fan cowling		1
16	*	Fuse-element	2	2
17	*	Mount	2	
17	*	Mount		2
18	*	Hexagon bolt	2	2
19	*	Bracket	1	
19	*	Bracket		1
20	*	Hexagon nut	2	
20	*	Hexagon nut		2
21	*	Hexagon bolt	2	
21	*	Hexagon bolt		1
22	*	Plain washer	2	2
23	*	Hexagon bolt	2	2
24	*	Radiator brace	1	
24	*	Clip pin	1	
24	*	End piece	1	
24	*	Rubber bush	2	
24	*	Radiator brace		1

* Contact factory Service Parts Department

Group 37: Water Pump



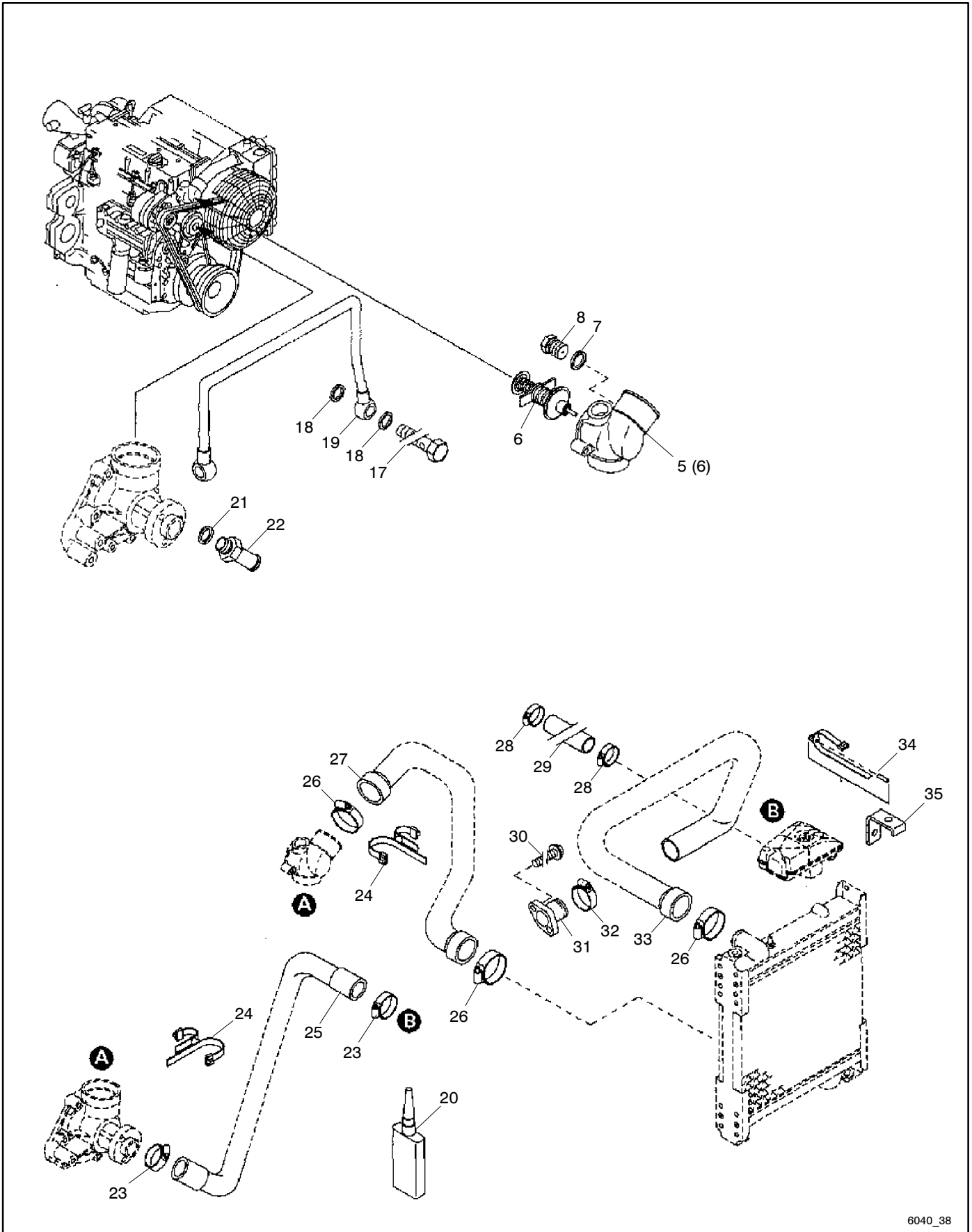
6040_37

Item	Part Number	Description	Quantity
			Variation Number
1	GM12766	O-seal	1
2	GM12783	O-seal	1
3	*	Plug	2
4	GM13053	Flat gasket	1
5	GM13014	Cooling water pump	1
6	GM12773	Hexagon bolt	1
7	*	V-grooved pulley	1

* Contact factory Service Parts Department

Notes

Group 38: Water Pipes



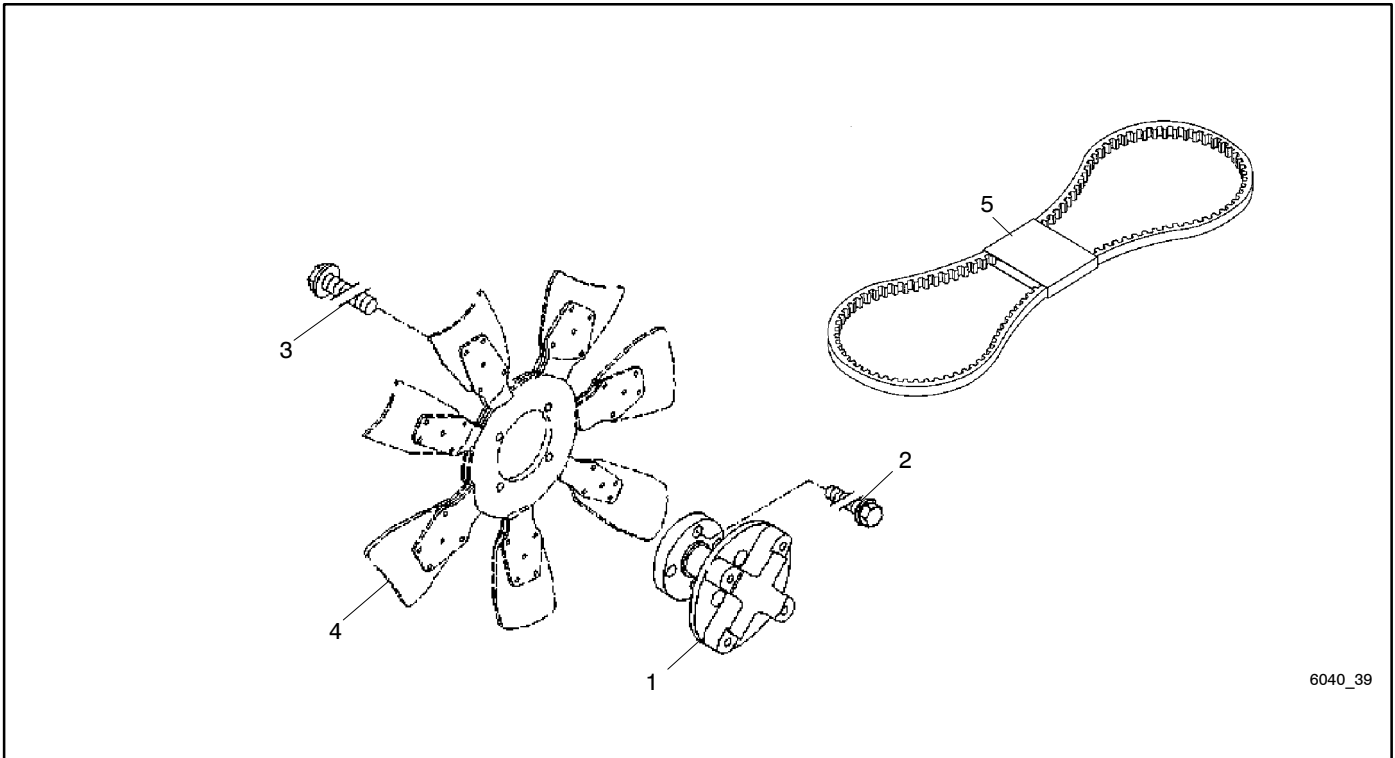
6040_38

Group 38: Water Pipes

Item	Part Number	Description	Quantity	
			Variation Number	
			1	2
5	*	Thermostat housing	1	1
6	GM13018	Thermostat	1	1
7	*	Sealing ring	1	
8	*	Vent plug	1	
17	GM12673	Hollow screw	1	
18	GM12659	Sealing ring	2	
19	GM13141	Pipeline	1	
19	*	Pipe clamp	2	
19	*	Hexagon bolt	2	
20	GM12637	Packing compound	1	1
21	GM12664	Sealing ring	1	
22	*	Hose connector	1	
23	GM12714	Hose clip	2	2
24	*	Clamping band	2	2
24	*	Clamping band	1	1
25	*	Balancing line	1	
25	*	Balancing line		1
26	*	Hose clip	2	2
26	GM12712	Hose clip	1	1
27	*	Coolant pipe	1	
27	*	Coolant pipe		1
28	*	Hose clip	2	2
29	*	Hose		1
29	*	Hose	1	
30	*	Hexagon bolt	2	2
31	*	Pipe socket	1	1
32	*	Hose clip	1	1
33	*	Coolant pipe	1	
33	*	Coolant pipe		1
34	*	Clamping band	2	2
35	*	Bracket	2	2

* Contact factory Service Parts Department

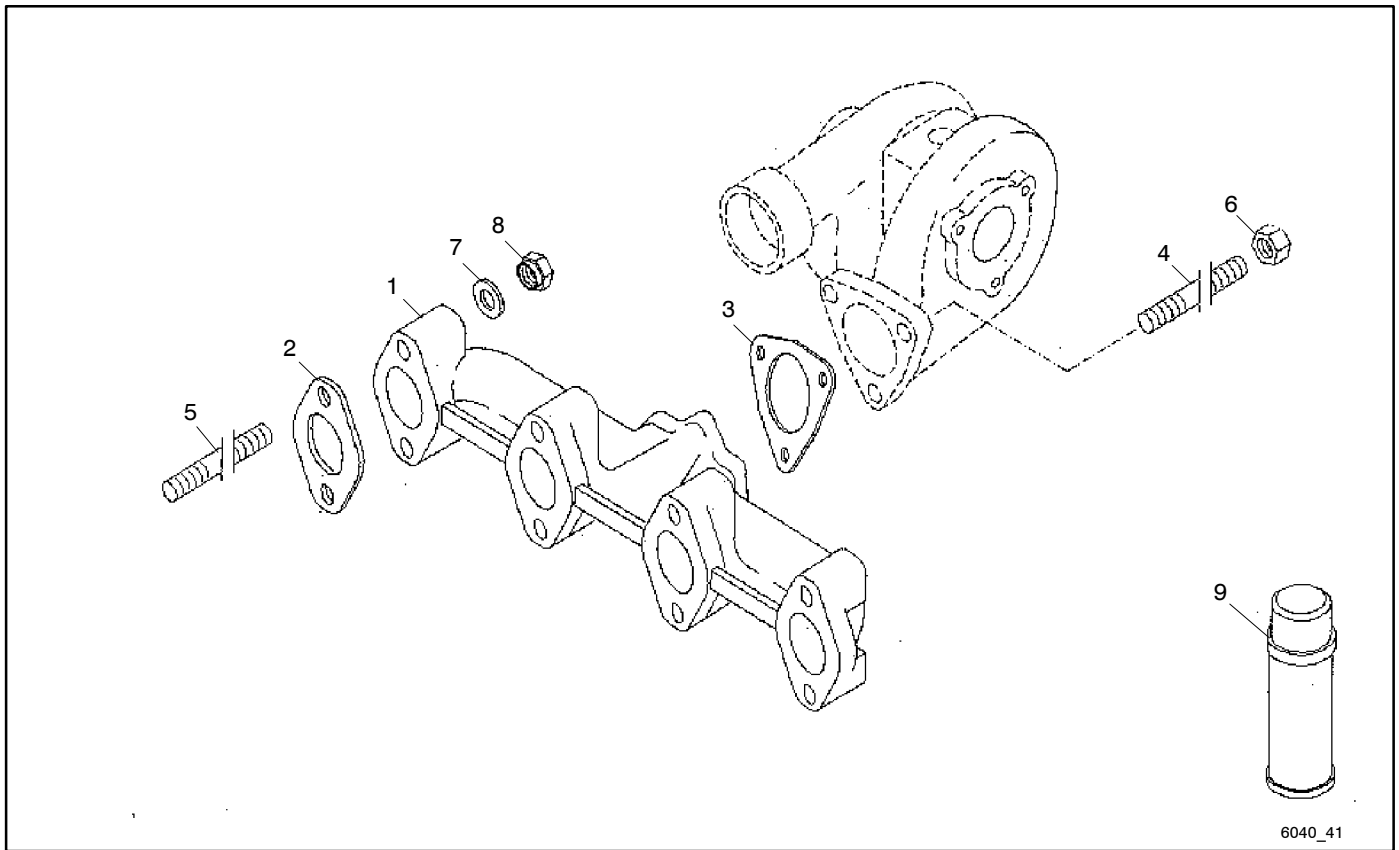
Group 39: Cooling Fan



Item	Part Number	Description	Quantity	
			Variation Number	
			1	2
1	*	Adapter	1	1
2	GM12773	Hexagon bolt	4	4
3	GM12776	Hexagon bolt	4	4
4	GM13135	Forced-draft fan	1	
4	GM13136	Forced-draft fan		1
5	GM12770	V-belt, narrow	1	1

* Contact factory Service Parts Department

Group 41: Exhaust Manifold

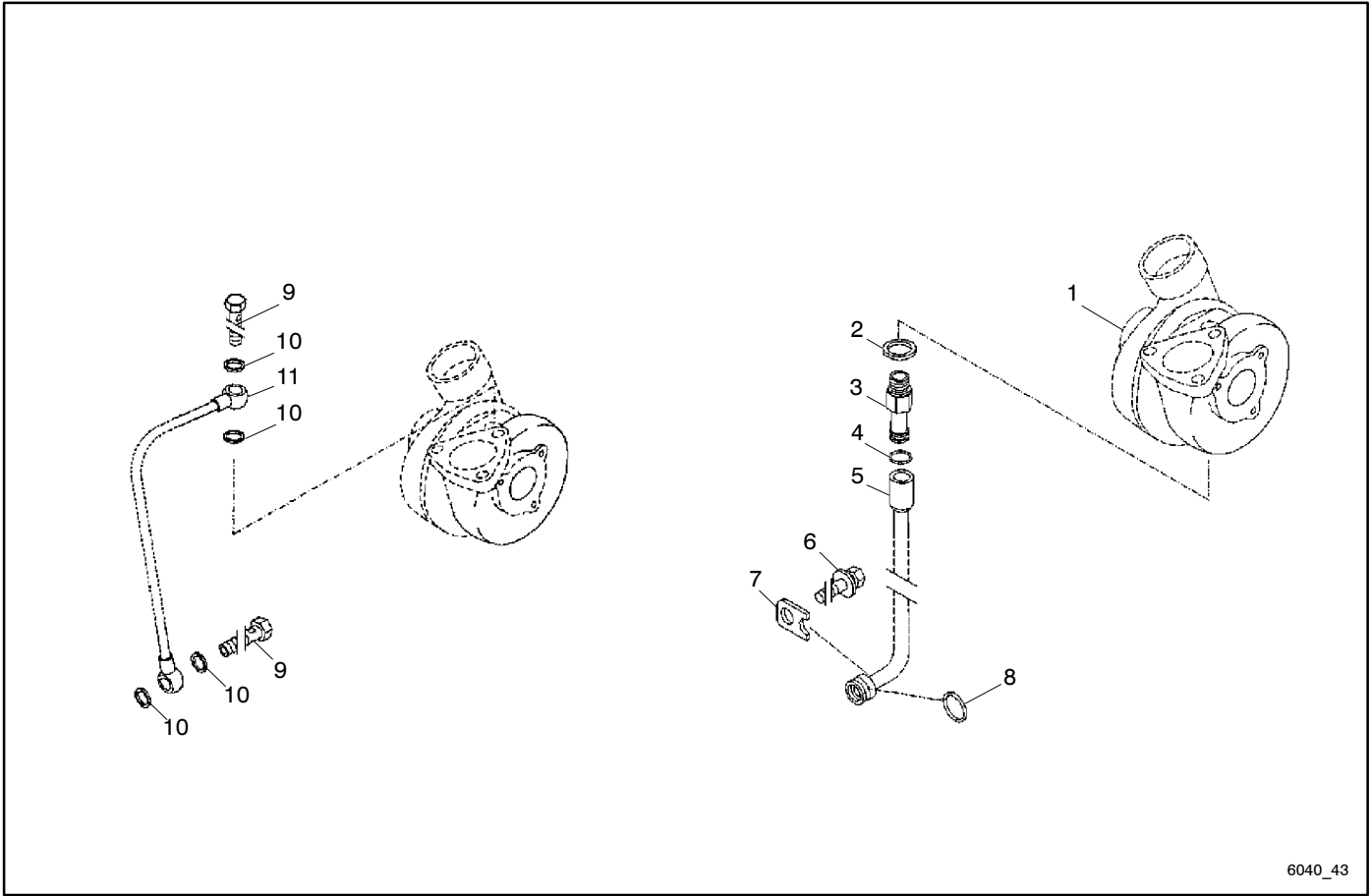


6040_41

Item	Part Number	Description	Quantity
			Variation Number
1	*	Exhaust pipe	1
2	GM13139	Gasket	4
3	GM13137	Gasket	1
4	GM12684	Stud	3
5	GM12872	Stud	8
6	GM12683	Hexagon nut	3
7	GM12997	Plain washer	8
8	GM12705	Hexagon nut	8
9	GM12642	Fitting compound	1

* Contact factory Service Parts Department

Group 43: Turbocharger



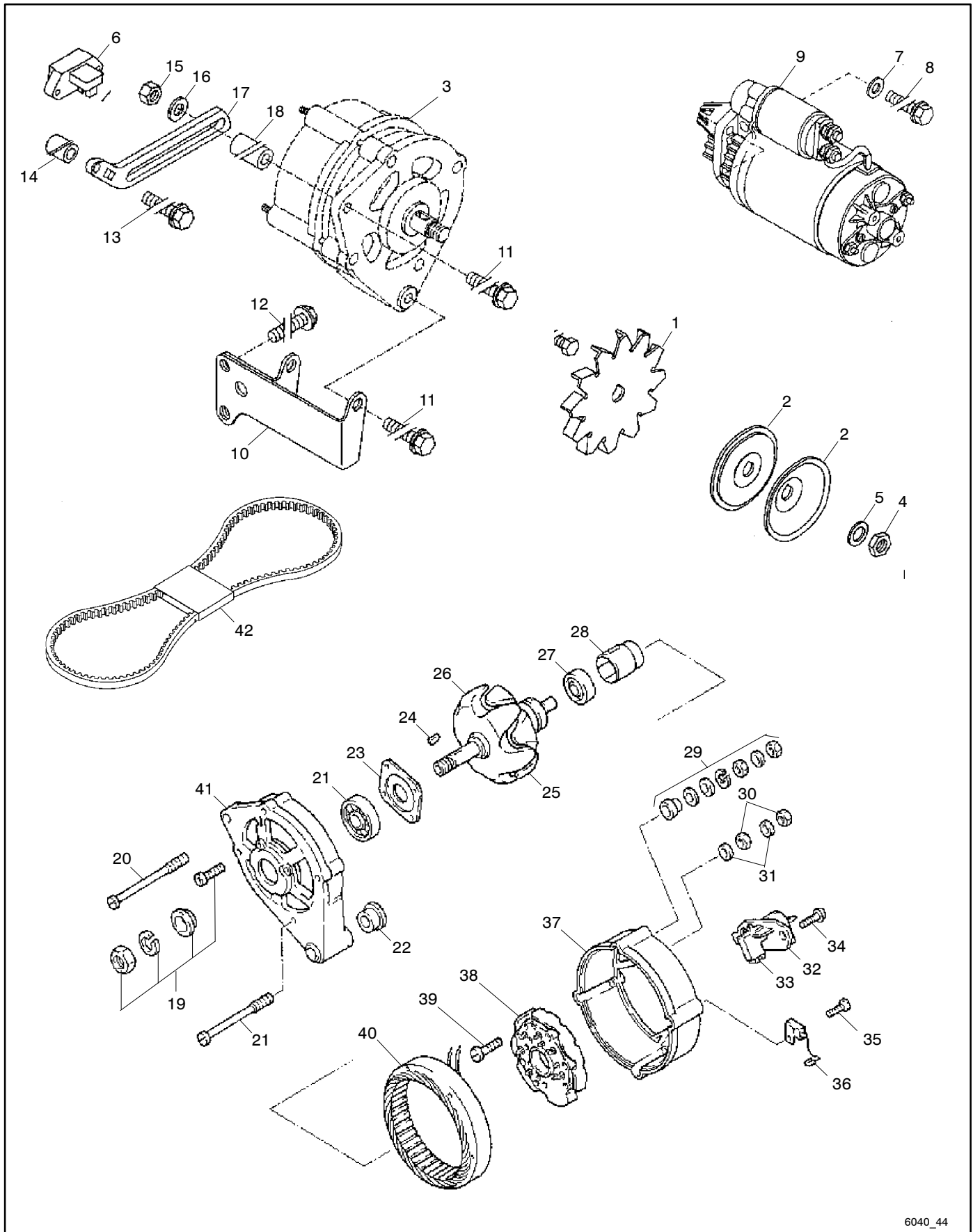
6040_43

Item	Part Number	Description	Quantity	
			Variation Number	
			1	2
1	GM13131	Turbocharger	1	
1	GM13132	Turbocharger		1
2	GM12665	Sealing ring	1	1
3	GM13114	Screw-in nipple	1	1
4	GM12797	O-seal	1	1
5	*	Return line	1	1
6	*	Hexagon bolt	1	1
7	GM13041	Retainer	1	1
8	GM12790	O-seal	1	1
9	GM12674	Hollow screw	1	1
9	GM12675	Hollow screw	1	1
10	GM12661	Sealing ring	2	2
10	GM12662	Sealing ring	2	2
11	*	Feed line	1	1
11	*	Angled retainer	1	1
11	*	Hexagon bolt	1	1
11	*	Plain washer	1	1
11	*	Pipe clamp	1	1
11	*	Hexagon bolt	1	1
11	*	Hexagon nut	1	1

* Contact factory Service Parts Department

Notes

Group 44: Alternator and Starter



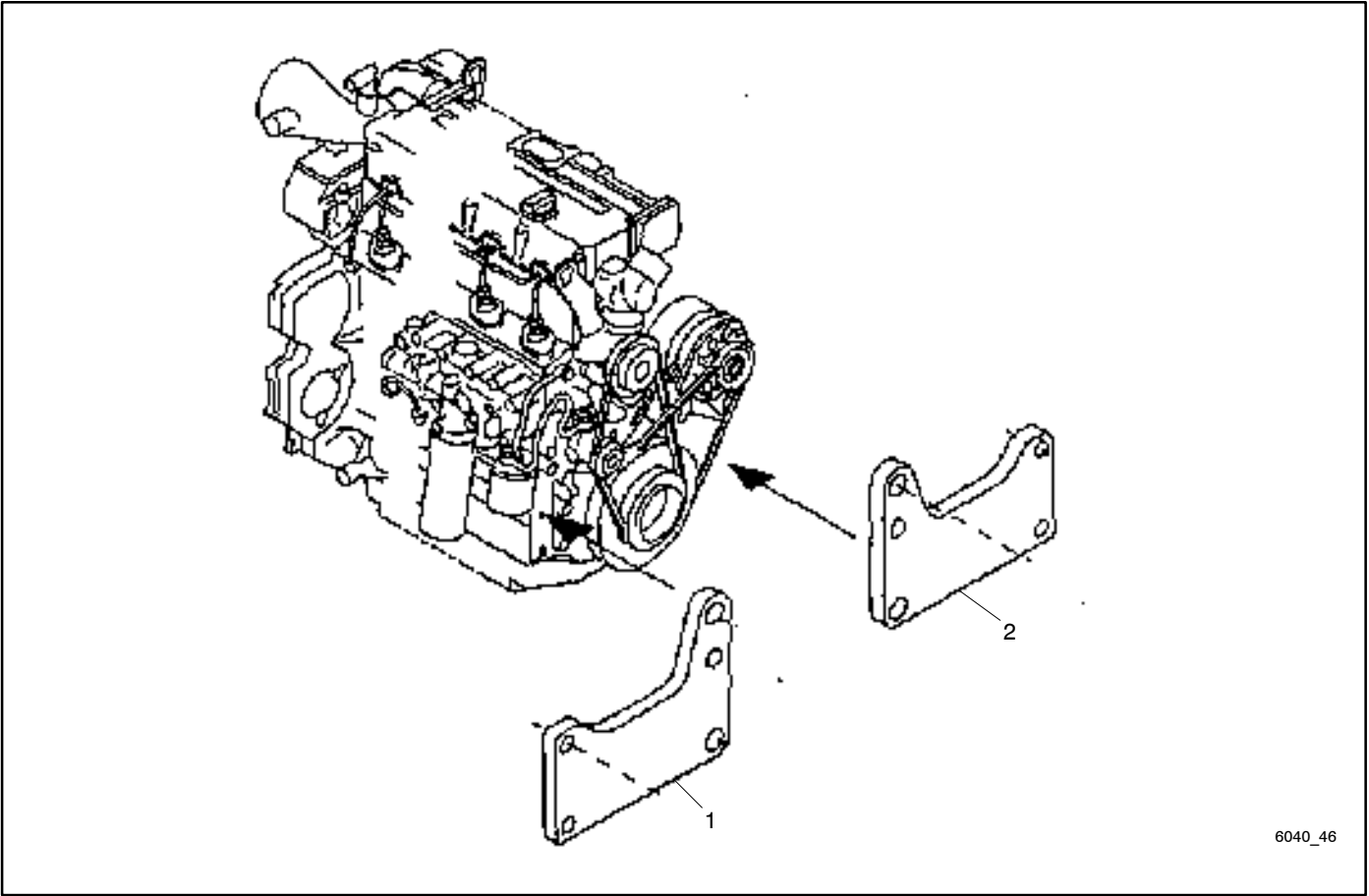
6040_44

Group 44: Alternator and Starter

Item	Part Number	Description	Quantity
			Variation Number
			1
1	GM12704	Fan	1
2	GM12726	V-grooved pulley	1
3	GM12730	Alternator	1
4	GM12681	Hexagon nut	1
5	GM12646	Spring washer	1
6	GM12723	Voltage regulator	1
7	GM12688	Plain washer	1
8	GM12757	Hexagon bolt	1
9	GM12792	Starter	1
10	*	Bracket	1
11	*	Hexagon bolt	1
12	*	Hexagon bolt	1
13	GM12773	Hexagon bolt	1
14	*	Bush	1
15	*	Hexagon nut	1
16	GM12874	Plain washer	1
17	GM13093	Clamping strap	1
18	*	Bush	1
20	*	Binding head screw	1
21	*	Ball bearing	1
21	*	Binding head screw	1
22	*	Stop bush	1
23	*	Cover plate	1
24	*	Set of parts	1
25	*	Rotor/impeller	1
26	*	Slip ring	1
27	*	Ball bearing	1
28	*	Cover	1
29	*	Set of parts	1
30	*	Hexagon nut	1
31	*	Spring washer	1
32	GM12723	Voltage regulator	1
33	*	Carbon brushes	1
34	*	Screw/bolt	1
35	*	Binding head screw	1
36	*	Suppressor capacitor	1
37	*	Slip ring bearing	1
38	*	Rectifier	1
39	*	Screw/bolt	1
40	*	Columix	1
41	*	Drive bearing	1
42	GM12744	V-belt, narrow	1

* Contact factory Service Parts Department

Group 46: Engine Mounting

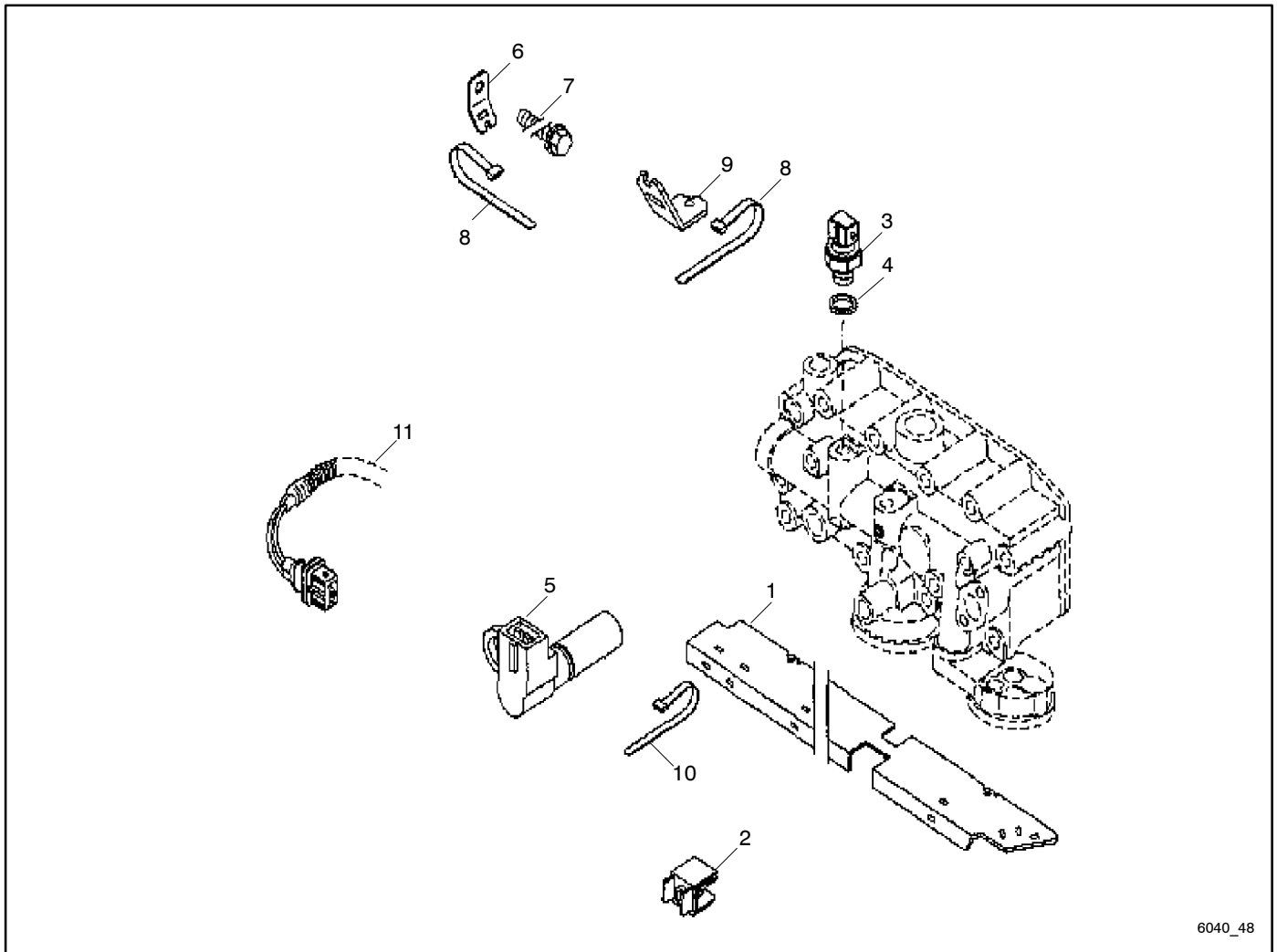


6040_46

Item	Part Number	Description	Quantity
			Variation Number
			1
1	*	Bracket	1
2	*	Bracket	1

* Contact factory Service Parts Department

Group 48: Electrical Accessories

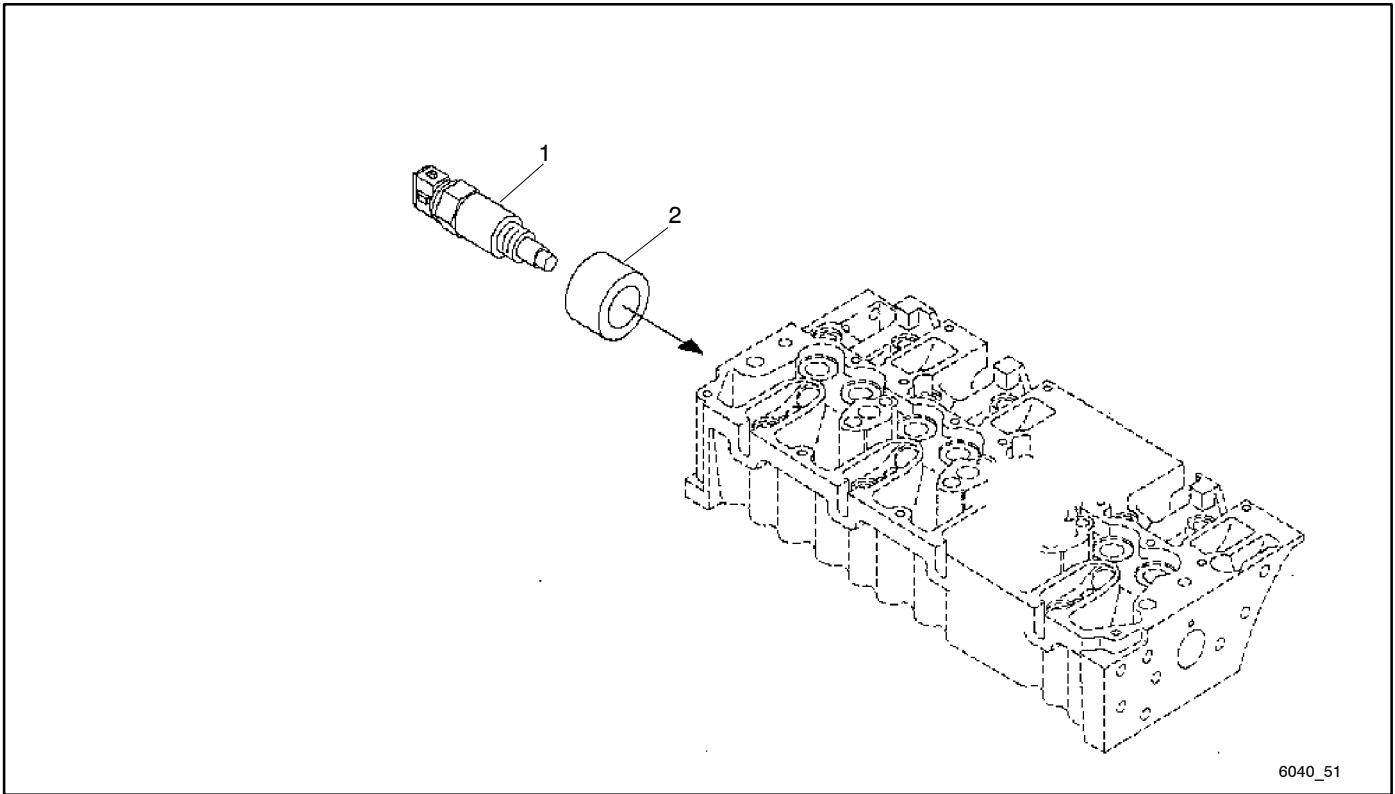


6040_48

Item	Part Number	Description	Quantity
			Variation Number
1	*	Cover plate	1
2	*	Cable clamp	1
3	GM13023	Temperature transmitter	1
4	GM12662	Sealing ring	1
5	GM12975	Impulse transmitter	1
6	*	Bracket	1
7	*	Hexagon bolt	1
8	*	Clamping band	1
9	*	Bracket	1
10	*	Clamping band	1
11	*	Cable harness	1

* Contact factory Service Parts Department

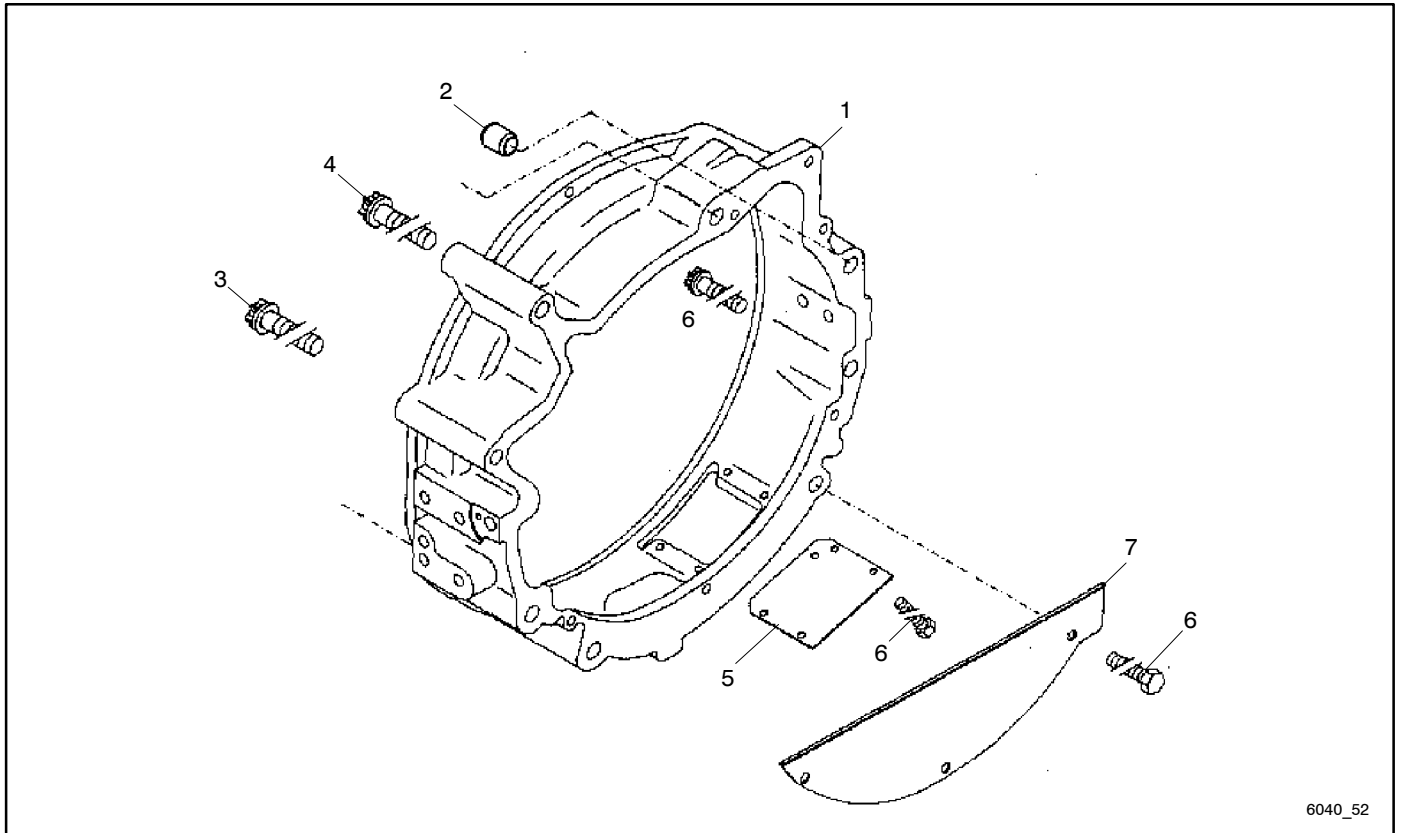
Group 51: Temperature Sensor



6040_51

Item	Part Number	Description	Quantity
			Variation Number
1	GM13024	Temperature transmitter	1
2	GM13025	Insulation sleeving	1

Group 52: Flywheel Housing

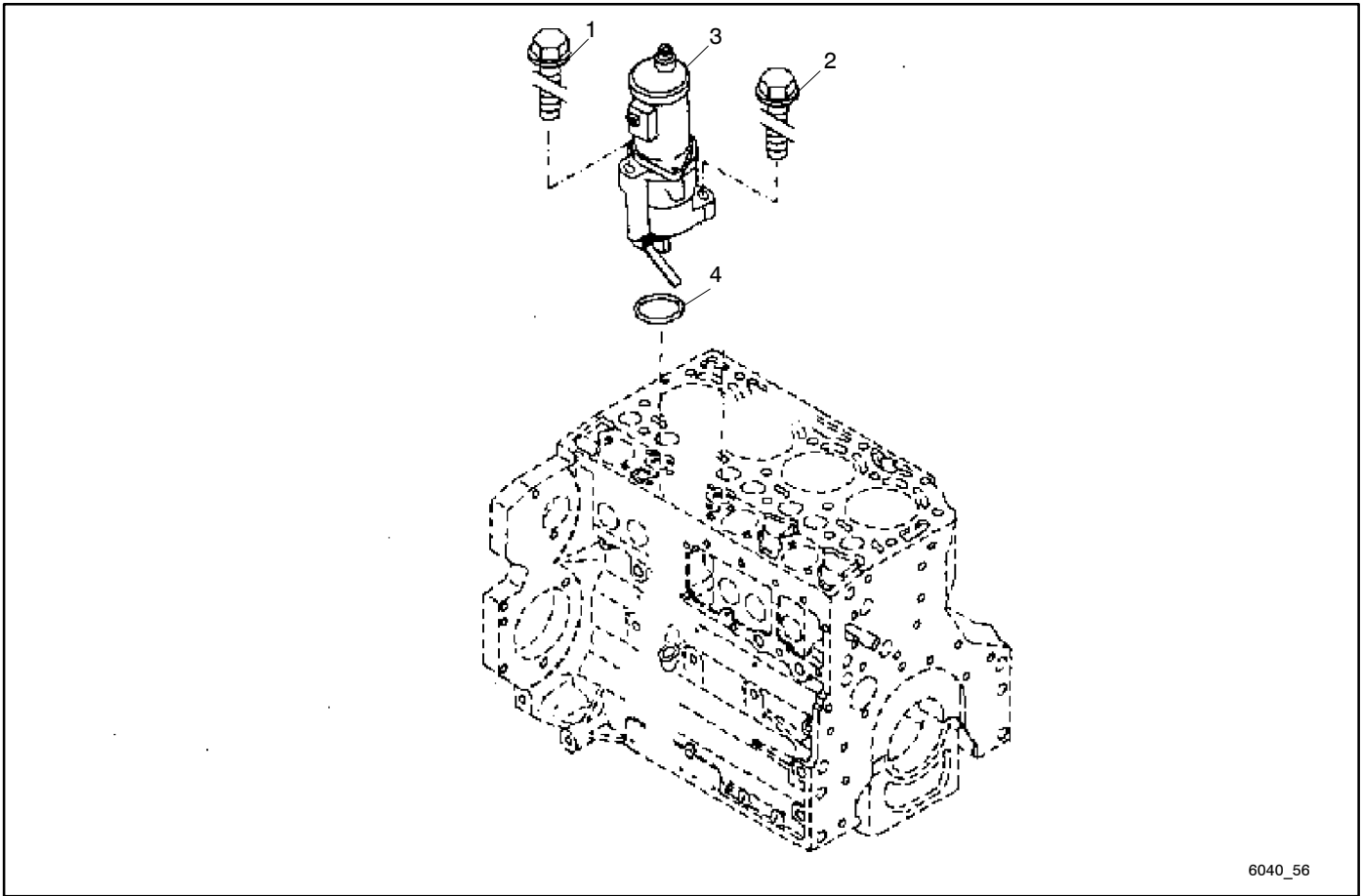


6040_52

Item	Part Number	Description	Quantity
			Variation Number
1	*	Connection housing	1
2	*	Bush	2
3	*	Torx-head bolt	2
4	*	Torx-head bolt	4
5	*	Cover plate	1
6	*	Hexagon bolt	4
6	*	Hexagon bolt	3
7	*	Cover plate	1

* Contact factory Service Parts Department

Group 56: Engine Shutdown

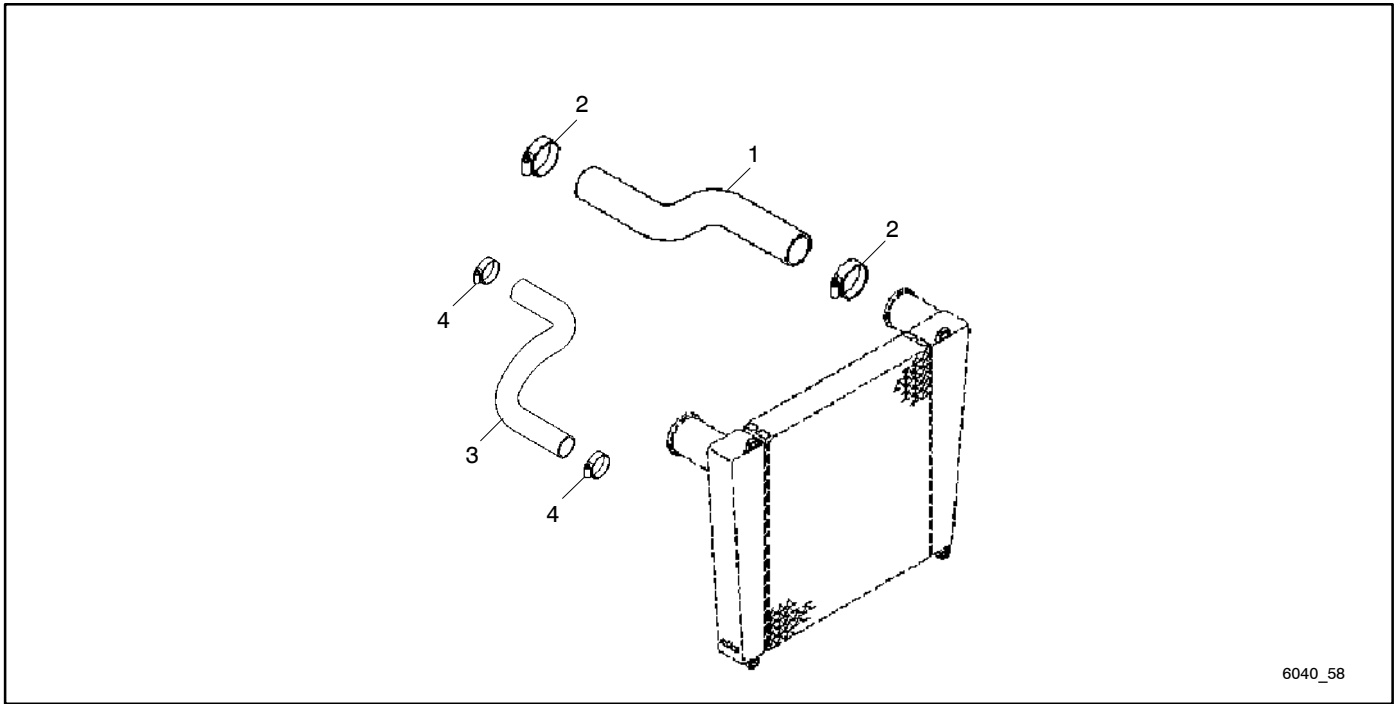


6040_56

Item	Part Number	Description	Quantity
			Variation Number
			1
1	*	Hexagon bolt	1
2	GM12776	Hexagon bolt	1
3	GM13108	Shutdown device	1
4	GM12747	O-seal	1

* Contact factory Service Parts Department

Group 58: Intercooler

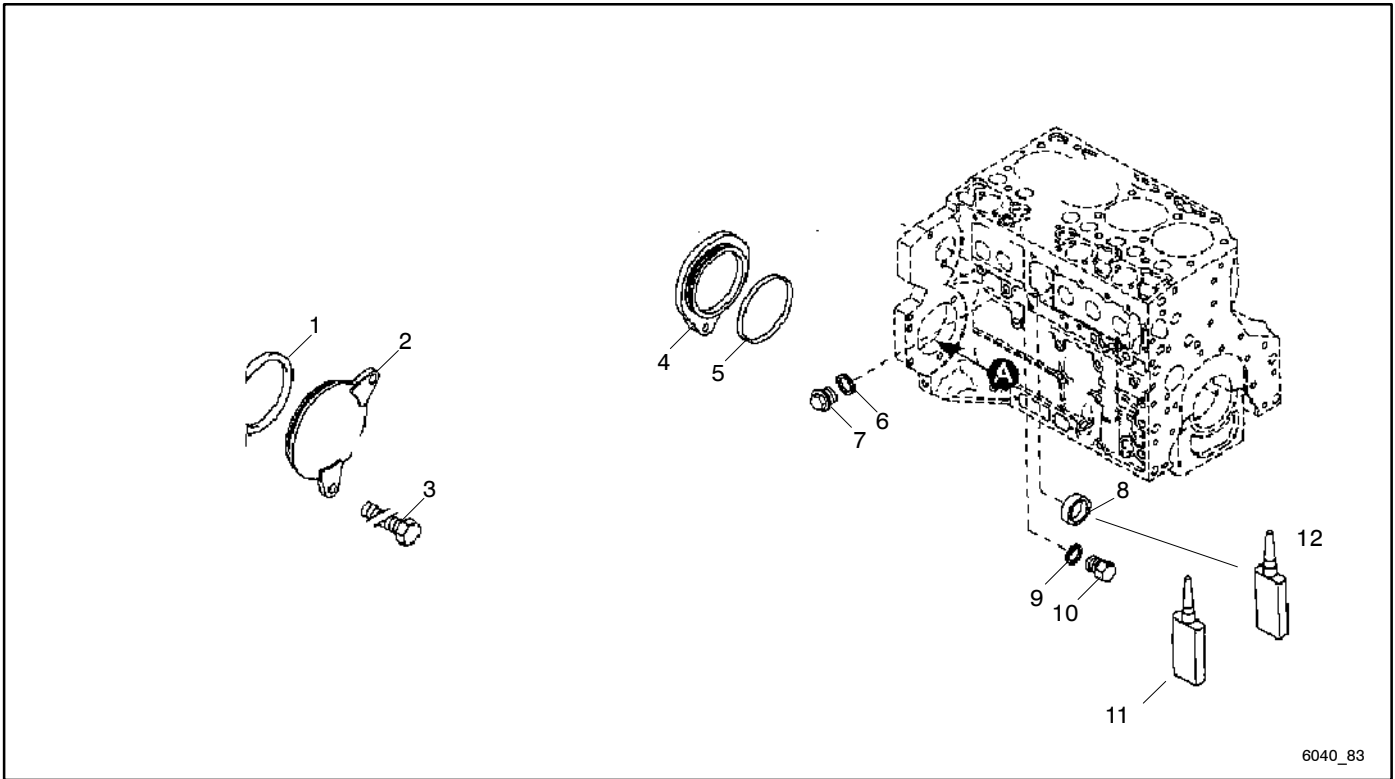


6040_58

Item	Part Number	Description	Quantity
			Variation Number
1	*	Charge air pipe	1
2	GM12711	Hose clip	2
3	*	Charge air pipe	1
4	GM12711	Hose clip	2

* Contact factory Service Parts Department

Group 83: Blanking Parts

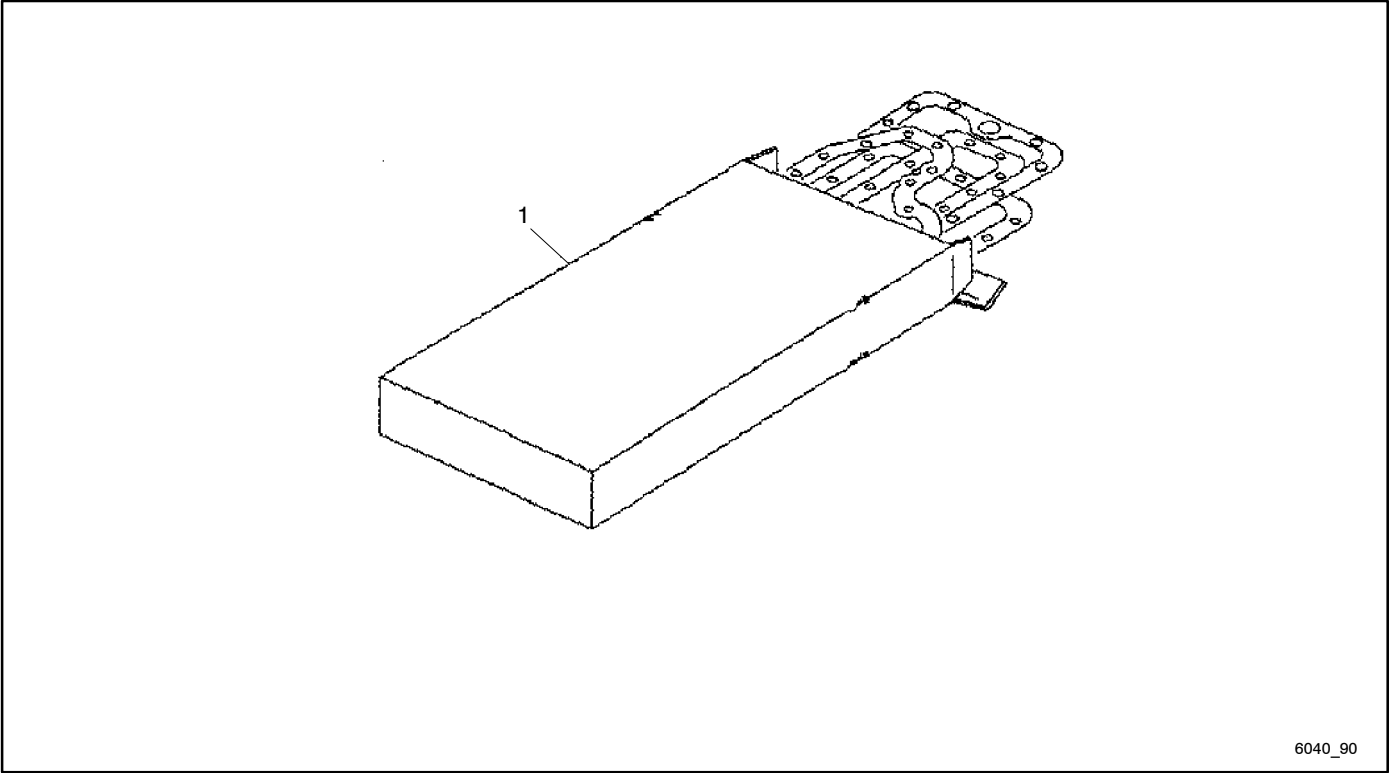


6040_83

Item	Part Number	Description	Quantity
			Variation Number
1	GM12789	O-seal	1
2	*	Cover	1
3	*	Hexagon bolt	1
4	*	Cover	1
5	GM12702	O-seal	1
6	GM12662	Sealing ring	1
7	*	Screw plug	1
8	GM12708	Core hole plug	1
9	GM12659	Sealing ring	3
10	*	Screw plug	3
11	*	Safety/locking agent	1
12	GM12641	Safety/locking agent	1

* Contact factory Service Parts Department

Group 90: Gasket Sets



6040_90

Item	Part Number	Description	Quantity
			Variation Number
1	GM12890	Gasket set	1

