

Service Parts

Engine

Engine Models:

Deutz BF4M1013E

BF4M1013EC

BF6M1013E

BF6M1013EC

Generator Models:

70-150 kW

Table of Contents

Introduction	1
Numbering System Significance	1
Illustrations	1
How to Find Part Numbers	1
Hardware References	1
Specification Number Index	2
Group 1: Crankcase	4
Group 2: Oil Pan	8
Group 5: Flywheel and Crankshaft	10
Group 6: Connecting Rod	12
Group 7: Piston	13
Group 8: Cylinder Head	14
Group 9: Timing Gear Cover	16
Group 10: Camshaft	17
Group 11: Rocker Arms and Push Rods	18
Group 15: Lube Oil Cooler	19
Group 16: Oil Intake Pipe	20
Group 17: Fuel Injection Pump	21
Group 19: Fuel Injector	22
Group 20: Fuel Pump and Fuel Filter	24
Group 21: Fuel Pipes	26
Group 22: Air Intake	28
Group 27: Speed Control	30
Group 36: Cooling System	32
Group 37: Water Pump	34
Group 38: Water Pipes	36
Group 39: Cooling Fan	38
Group 41: Exhaust Manifold	40
Group 43: Turbocharger	41
Group 44: Alternator and Starter	42
Group 46: Engine Mounting	44
Group 48: Electrical Accessories	45
Group 51: Temperature Sensor	46
Group 52: Flywheel Housing	47
Group 56: Engine Shutdown	48
Group 58: Intercooler	49
Group 83: Blanking Parts	50
Group 90: Gasket Sets	51

Introduction

This manual lists service replacement parts for 70–150 kW generator sets.

At the time of print this manual applied to the generator set specification (spec) numbers listed in the Specification Number Index. On occasion this manual may apply to specs not listed in the Specification Number Index.

Information in this publication represents data available at the time of print. The factory reserves the right to change this publication and the products represented without notice and without any obligation or liability whatsoever.

This manual includes the following main sections:

Table of Contents. Lists the sections of the manual.

Introduction (and other information sections). Contains introductory material about part numbers, illustrations, and hardware.

Index. Lists the generator set specs and groups.

Group Parts Lists. List the part numbers of parts in the groups.

Kit Sections. List modules and accessories and their parts.

Appendices. Include Abbreviations, Common Hardware Application Guidelines, General Torque Specifications, Common Hardware Identification, and Common Hardware List.

xin:004:002

Numbering System Significance

This manual uses the following numbering systems:

Specification Number. A six-digit number with a PA-prefix. The Specification Number Index does not show the prefix. Spec numbers break down into groups.

Group Number. A unique number representing a parts group needed to assemble a generator set function. For example, Group 101 is the Air Intake group.

Variation or Module Number. A group might have several variations. Each variation performs the same function with different parts lists. For example, a 50 Hz generator alternator and 60 Hz generator alternator both perform the same function, however, with different parts. Each difference requires a group variation or module number.

Part Number. The part number identifies an individual assembly, subassembly, component, or accessory kit.

xin:004:003

Illustrations

Illustrations (or exploded-view drawings) best representing the widest range of variations accompany most groups in this manual. Illustrations do not depict all details and may not show all parts. Do not use illustrations for assembly or disassembly instructions.

xin:004:004

How to Find Part Numbers

Use the following steps to locate a service replacement part.

1. Locate the generator set nameplate to **identify the generator set spec number**.
2. Locate a second generator set nameplate listing accessories to **identify installed modules**. On some models the accessory nameplate is mounted inside the generator junction box.
3. **Turn to the Specification Number Index**. The first column lists the generator set spec numbers. The headings identify the groups of parts that make up the generator set.
4. **Identify the group** most likely to include the service part number.
5. **Find the group variation number** at the intersection of the spec number row and the group column. Note the variation number.
6. **Page forward to locate the group** identified in step 4 or find the appropriate page in the Table of Contents.
7. **Find the part on the illustration** and note the item number of the part or **find the part description in the parts list**.
8. Select **the part number that corresponds to your group variation**. The first column lists the illustration item number. Find the variation identified in the Specification Number Index or the module number found on the generator set nameplate in the appropriate column on the right side of the parts list table. Find the quantity used at the intersection of the item number row and the variation column. A blank space at the intersection means the variation/module does not use that part number.

xin:004:005

Hardware References

Many common hardware items do not appear in parts manuals or will appear as common hardware entries. A common hardware entry lists the size of the hardware. For example, an item that appears as “Hardware, 3/8-16” in the text means that the piece is 3/8-16 size. Obtain common hardware locally or, if contacting the factory, use the Common Hardware List in the appendix to identify the common hardware part number and specifications. See Common Hardware Application Guidelines in the appendix for mating hardware instructions.

Some hardware items require a specific size or some other characteristic. In that case, use the part number listed in the text.

When replacing hardware, do not substitute inferior grade hardware. Replacement hardware grade should be equal to or better than the grade of the manufacturer’s original hardware. Use the Common Hardware List in the appendix to identify the common hardware hardness.

xin:004:006

Specification Number Index

Group Title	<i>Crankcase</i>	<i>Oil Pan</i>	<i>Flywheel and Crankshaft</i>	<i>Connecting Rod</i>	<i>Piston</i>	<i>Cylinder Head</i>	<i>Timing Gear Cover</i>	<i>Camshaft</i>	<i>Rocker Arms</i>	<i>Lube Oil Cooler</i>	<i>Oil Intake Pipe</i>	<i>Fuel Injection Pump</i>	<i>Fuel Injector</i>
Group No.	1	2	5	6	7	8	9	10	11	15	16	17	19
	Variation Number												

Engine Model													
BF4M1013E	1	1	1	1	1	1	1	1	1	1	1	1	1
BF4M1013EC	2	1	1	1	1	2	1	1	1	1	1	1	2
BF6M1013E	3	2	2	1	1	3	1	2	1	2	2	1	1
BF6M1013EC	4	2	3	1	2	4	1	2	2	3	2	1	2

— Not applicable.

x.in:004:007a

Group Title	<i>Fuel Pump and Fuel Filter</i>	<i>Fuel Pipes</i>	<i>Air Intake</i>	<i>Speed Control</i>	<i>Cooling System</i>	<i>Water Pump</i>	<i>Water Pipes</i>	<i>Cooling Fan</i>	<i>Exhaust Manifold</i>	<i>Turbocharger</i>	<i>Alternator and Starter</i>	<i>Engine Mounting</i>	<i>Electrical Accessories</i>
Group No.	20	21	22	27	36	37	38	39	41	43	44	46	48
	Variation Number												

Engine Model													
BF4M1013E	1	1	1	1	1	1	1	1	1	1	1	1	1
BF4M1013EC	1	1	2	1	2	1	2	2	1	2	1	1	1
BF6M1013E	1	2	3	2	3	1	3	3	2	3	1	2	2
BF6M1013EC	2	3	4	2	4	1	4	4	2	4	1	2	2

— Not applicable.

x.in:004:007a

Specification Number Index

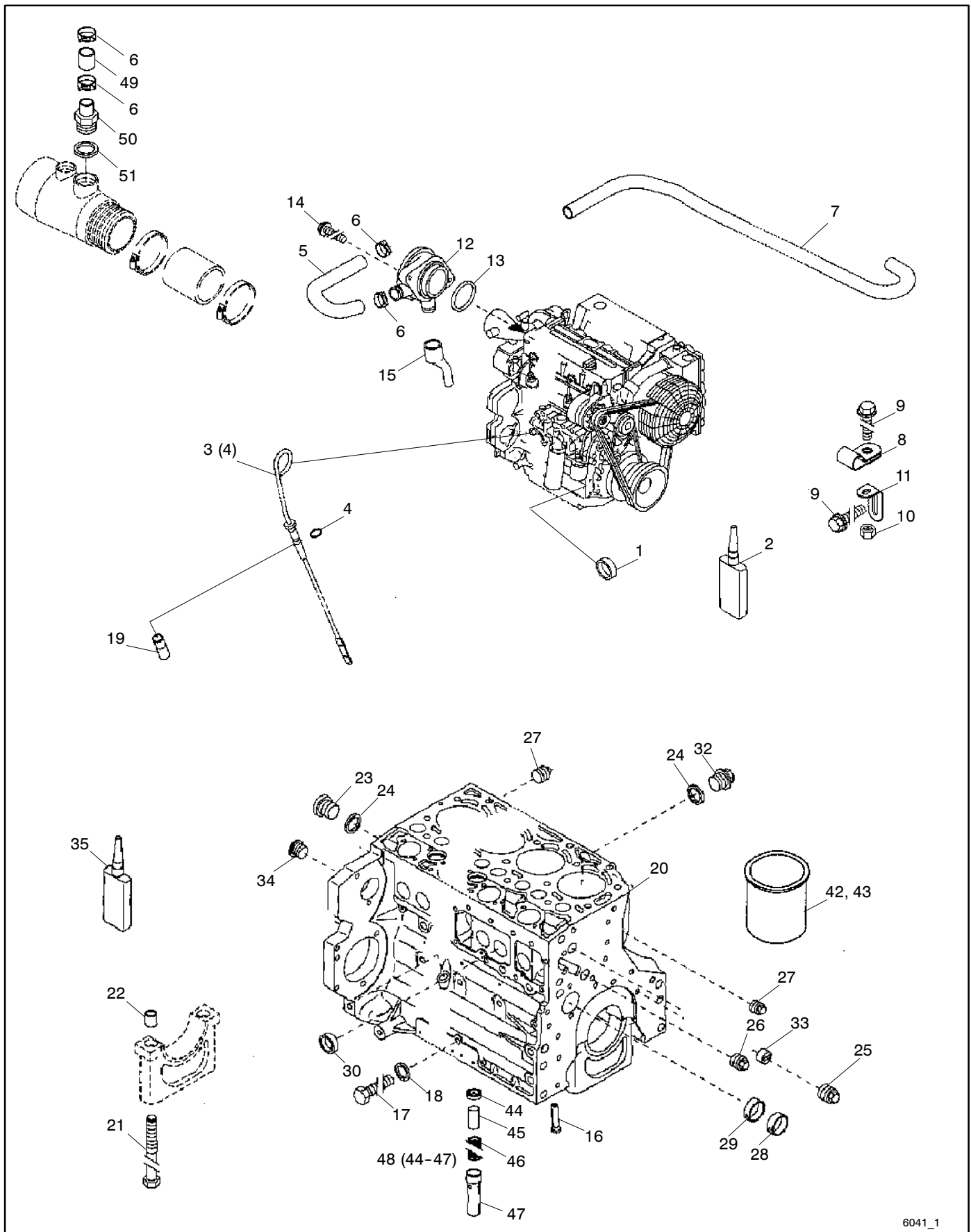
Group Title	<i>Temperature Sensor</i>	<i>Flywheel Housing</i>	<i>Engine Shutdown</i>	<i>Intercooler</i>	<i>Blanking Parts</i>	<i>Gasket Sets</i>
Group No.	51	52	56	58	83	90
	Variation Number					

Engine Model						
BF4M1013E	1	1	1	—	1	1
BF4M1013EC	1	1	1	2	1	1
BF6M1013E	1	1	1	—	1	2
BF6M1013EC	—	1	1	4	1	3

— Not applicable.

xin:004:007a

Group 1: Crankcase



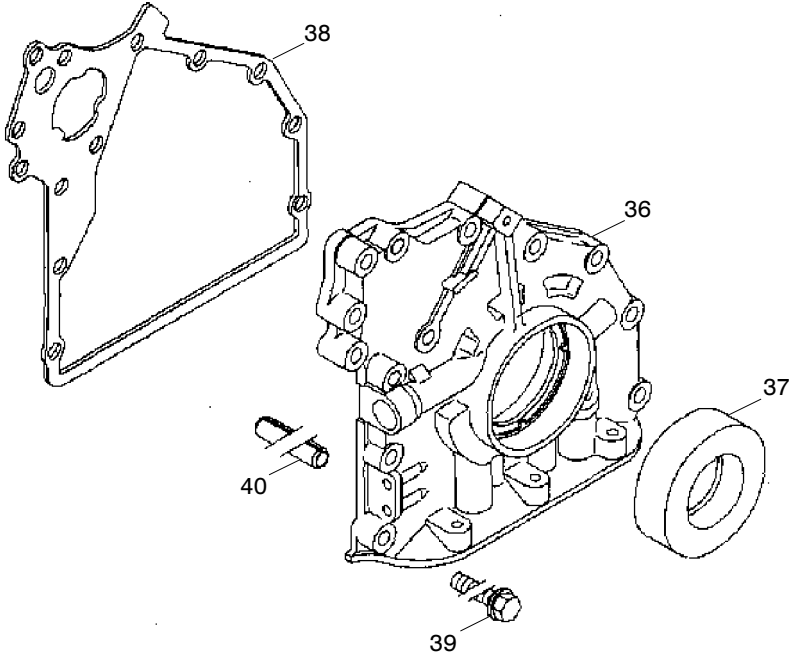
6041_1

Group 1: Crankcase

Item	Part Number	Description	Quantity			
			Variation Number			
			1	2	3	4
1	GM12754	Core hole plug	1	1	1	1
2	GM12641	Safety/locking agent	1	1	1	1
3	*	Dipstick	1	1		
3	*	Dipstick			1	1
4	GM12716	O-seal	1	1	1	1
5	GM13015	Bleeding tube				1
6	GM12732	Spring band clamp				4
7	*	Breather pipe				1
8	*	Pipe clamp				1
9	*	Hexagon bolt				1
9	GM12755	Hexagon bolt				1
10	*	Hexagon nut				1
11	*	Bracket				1
12	GM13057	Pressure regulator	1	1		
12	*	Pressure regulator			1	1
13	GM13103	Gasket	1	1		
13	*	Gasket			1	1
14	*	Hexagon bolt	2	2	2	2
15	GM13115	Rubber sleeve			1	1
15	*	Rubber sleeve	1	1		
16	GM13058	Piston cooling nozzle				6
16	*	Piston cooling nozzle	1	1	1	
19	GM13094	Guide tube	1	1	1	1
20	*	Crankcase	1	1		
20	*	Crankcase			1	
20	*	Crankcase				1
21	*	Hexagon bolt	10	10	14	14
22	GM13031	Bush	10	10	14	14
23	*	Screw plug	2	2	2	2
24	GM12663	Sealing ring	4	4	4	5
25	*	Screw plug	1	1	1	1
26	*	Screw plug	1	1	1	1
27	*	Screw plug	2	2	2	2
28	GM13028	Bearing bush	4	4	6	6
29	GM13029	Bearing bush	1	1	1	1
30	*	Core hole plug	6	6	10	10
32	GM12671	Screw plug	2	2	2	3
33	*	Guide sleeve			1	1
33	*	Guide sleeve	1	1	1	1
34	*	Slotted plug				1
34	*	Screw plug	1	1	1	
35	*	Safety/locking agent	1	1	1	1
35	GM12641	Safety/locking agent	1	1	1	1
42	GM13055	Cylinder liner	4	4	6	6
43	*	O-seal	8	8	12	12
44	*	Ring	1	1	1	1
45	*	Valve plunger	1	1	1	1
46	*	Compression spring	1	1	1	1
47	*	Sleeve	1	1	1	1
48	GM13111	Pressurestat	1	1	1	1
49	*	Rubber sleeve				1
50	*	Connector				1
51	GM12670	Sealing ring				1

* Contact factory Service Parts Department

Group 1: Crankcase, continued

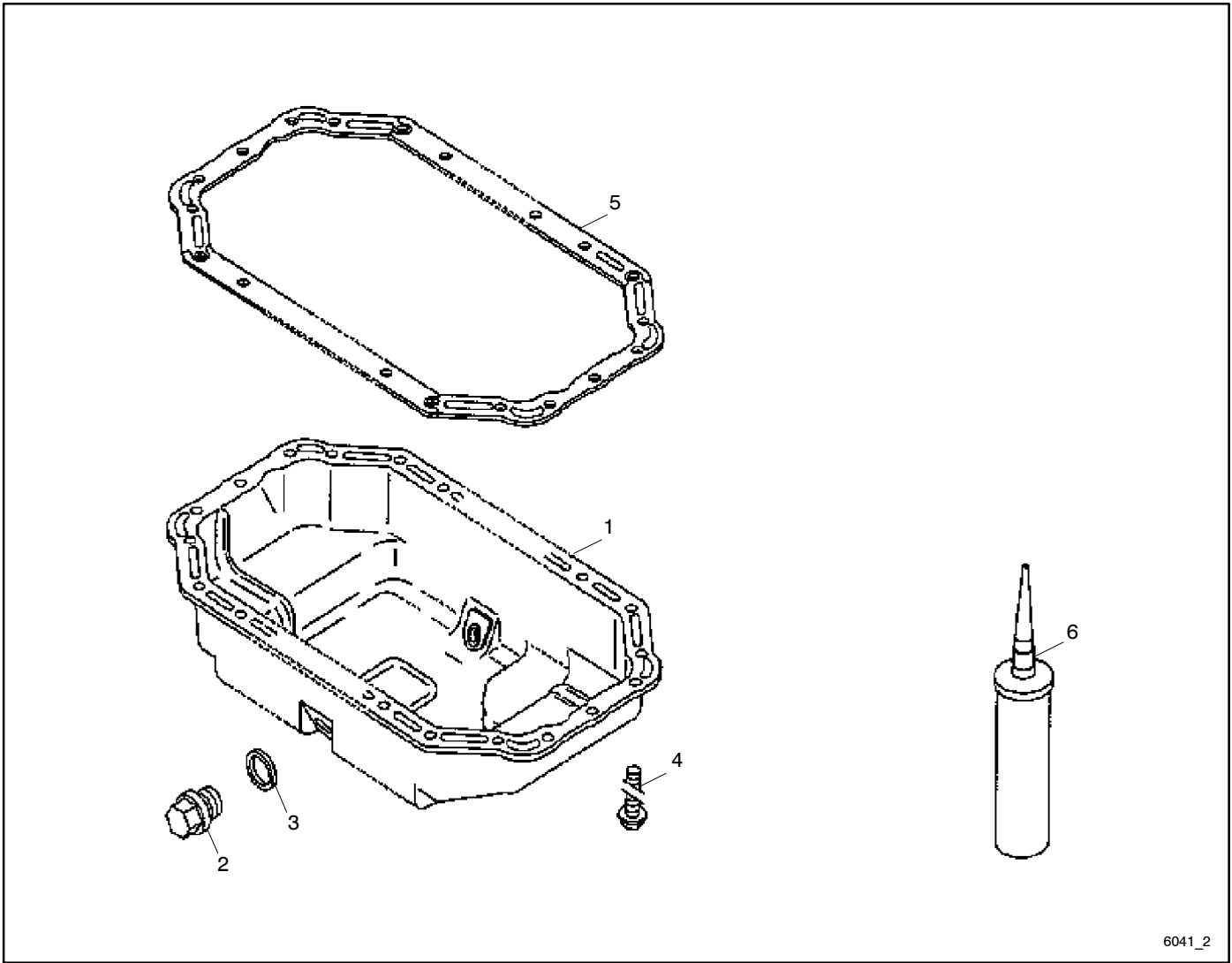


Group 1: Crankcase, continued

Item	Part Number	Description	Quantity			
			Variation Number			
			1	2	3	4
36	*	Front cover				1
36	*	Front cover	1	1		
36	*	Front cover			1	
37	GM13133	Rotating shaft lip seal				1
37	*	Rotating shaft lip seal	1	1	1	
38	GM13089	Gasket	1	1	1	
39	GM12690	Hexagon bolt	14	14	14	
40	*	Clamping bush	1	1	1	

* Contact factory Service Parts Department

Group 2: Oil Pan



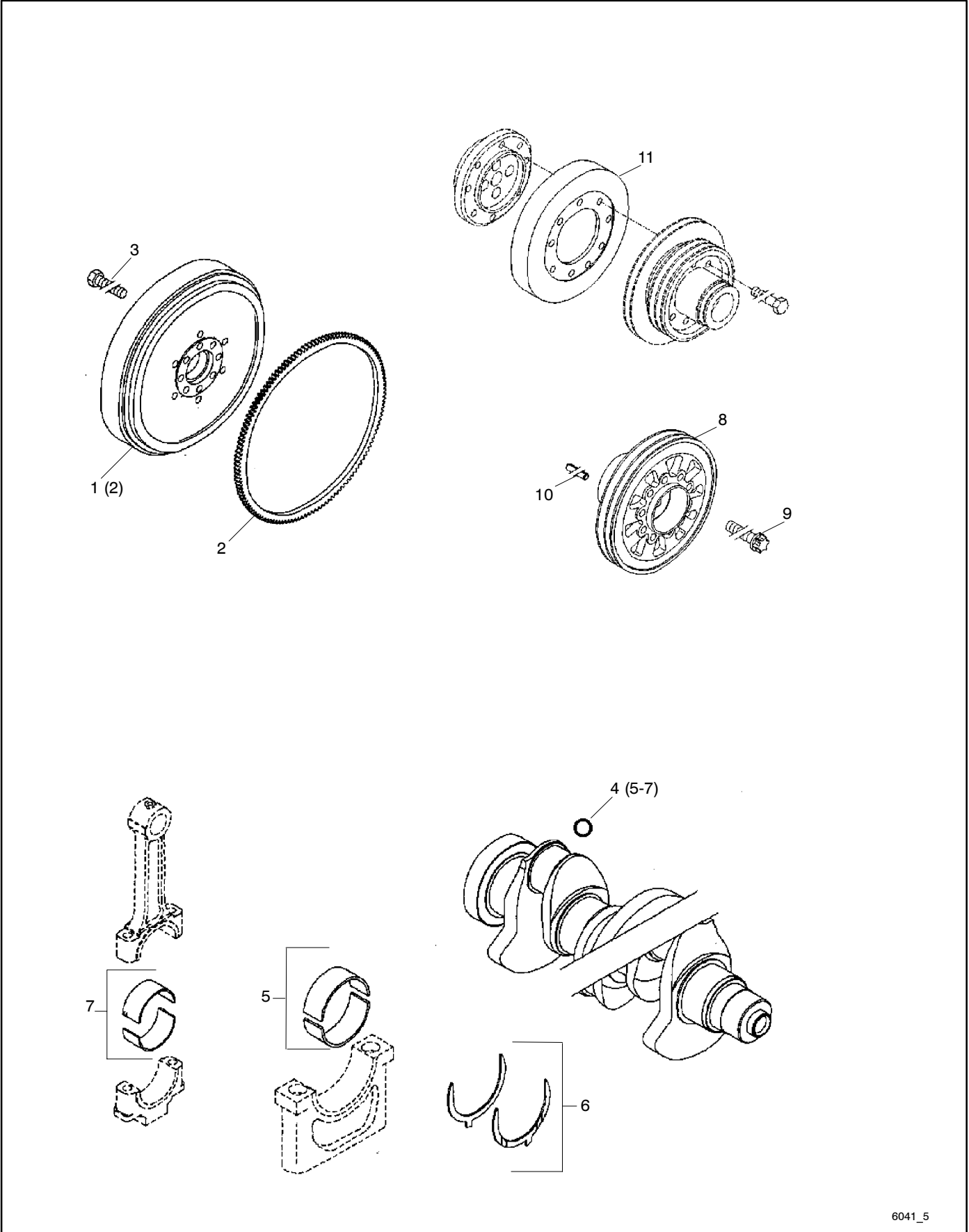
6041_2

Item	Part Number	Description	Quantity	
			Variation Number	
			1	2
1	*	Oil pan		1
1	GM13060	Oil pan	1	
2	*	Screw plug	2	2
3	GM12667	Sealing ring	2	2
4	GM12691	Hexagon bolt	26	34
5	GM13091	Gasket	1	
5	*	Gasket		1
6	*	Packing compound	1	1

* Contact factory Service Parts Department

Notes

Group 5: Flywheel and Crankshaft



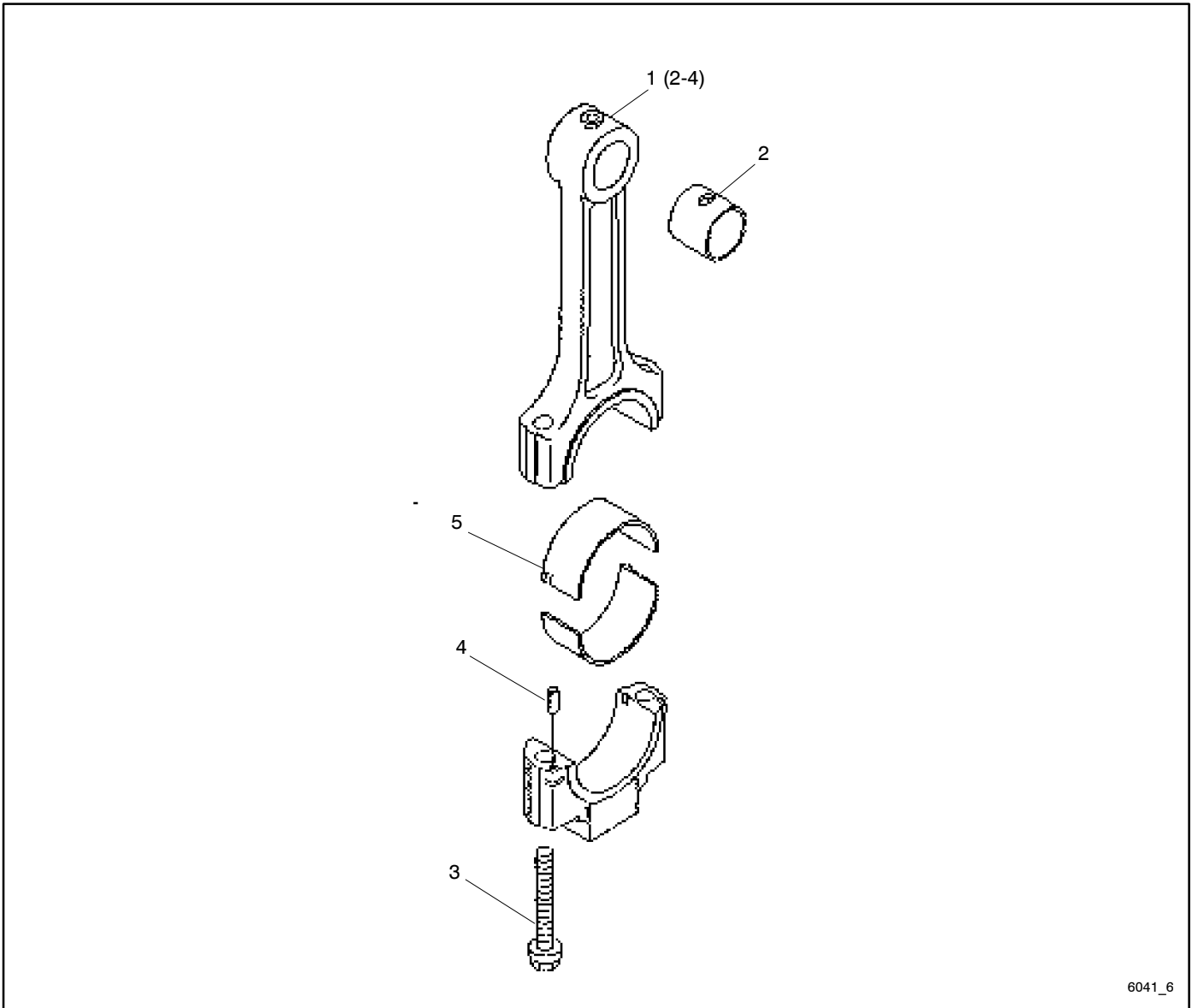
6041_5

Group 5: Flywheel and Crankshaft

Item	Part Number	Description	Quantity		
			Variation Number		
			1	2	3
1	*	Flywheel	1	1	1
2	GM12871	Gear rim	1	1	1
3	GM13063	Hexagon bolt	10	10	10
4	*	Crankshaft		1	1
4	*	Crankshaft	1		
5	GM12882	Main bearing	5	7	7
5	GM12883	Main bearing	5	7	7
5	GM12884	Main bearing	5	7	7
6	GM12888	Thrust washer	1	1	1
6	GM12889	Thrust washer	1	1	1
7	GM12885	Big end bearing	4	6	6
7	GM12886	Big end bearing	4	6	6
7	GM12887	Big end bearing	4	6	6
8	*	V-grooved pulley		1	1
8	*	V-grooved pulley	1	1	1
9	*	Torx-head bolt	4	4	4
9	*	Torx-head bolt		4	4
10	*	Clamping bush	1	1	1
10	*	Hexagon bolt		9	9
11	*	Vibration damper			1
11	*	Vibration damper		1	
12	*	Narrow V-belt (not shown)		1	1

* Contact factory Service Parts Department

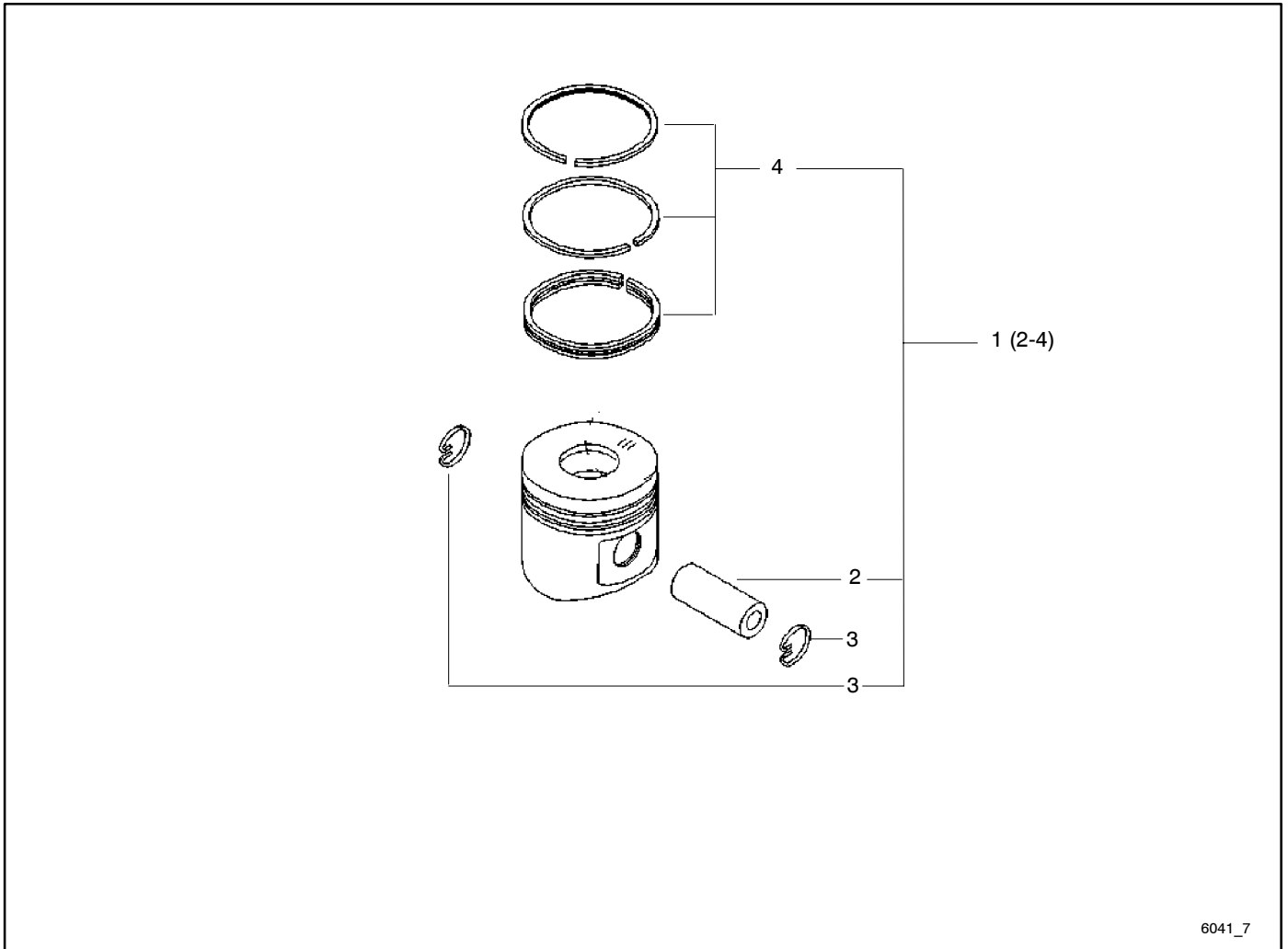
Group 6: Connecting Rod



6041_6

Item	Part Number	Description	Quantity
			Variation Number
1	GM13148	Connecting rod	1
2	GM13030	Big end bush	1
3	GM13040	Big end bolt	2
4	GM12694	Straight pin	2
5	GM12885	Big end bearing	1

Group 7: Piston

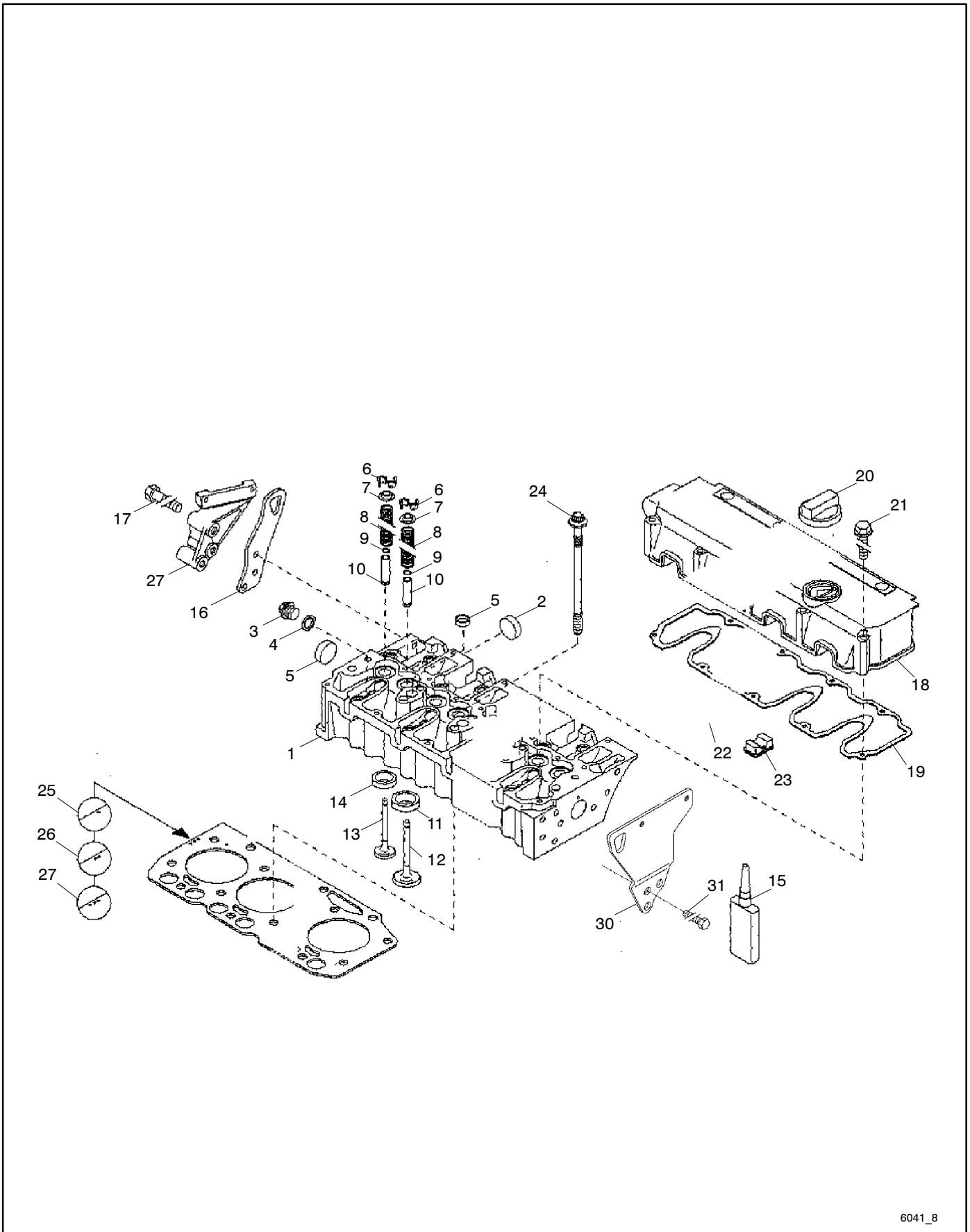


6041_7

Item	Part Number	Description	Quantity	
			Variation Number	
			1	2
1	GM13150	Piston	1	
1	*	Piston		1
2	GM13034	Piston pin	1	1
3	*	Circlip	2	2
4	GM13154	Set of piston rings	1	1

* Contact factory Service Parts Department

Group 8: Cylinder Head



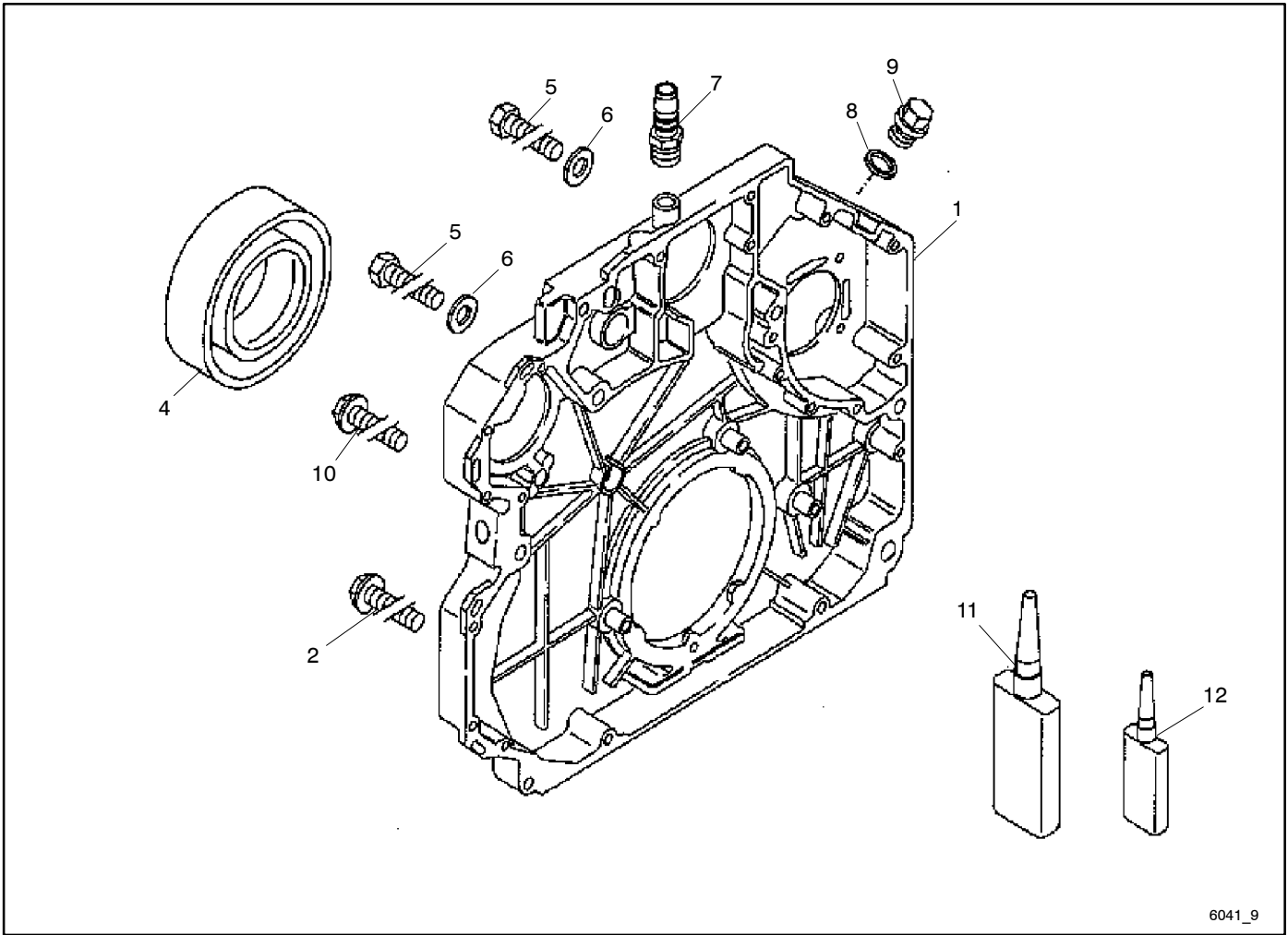
6041_8

Group 8: Cylinder Head

Item	Part Number	Description	Quantity			
			Variation Number			
			1	2	3	4
1	*	Cylinder head			1	1
1	*	Cylinder head	1	1		
2	GM12754	Core hole plug	4	4	6	6
3	GM12643	Screw plug	1	1	1	1
3	*	Screw plug			1	1
3	GM12671	Screw plug	1	1		
4	GM12659	Sealing ring	1	1	2	2
4	GM12662	Sealing ring	1	1	1	1
5	GM12707	Core hole plug	3	3	5	5
6	*	Valve collet	16	16	24	24
7	GM13033	Valve spring retain	8	8	12	12
8	GM13035	Compression spring	8	8	12	12
9	GM12700	O-seal	8	8	12	12
10	GM13046	Valve guide	8	8	12	12
11	GM13036	Valve seat insert	4	4	6	6
12	GM13129	Inlet valve	4	4	6	6
13	GM13130	Exhaust valve	4	4	6	6
14	GM13037	Valve seat insert	4	4	6	6
15	GM12640	Safety/locking agent	1	1	1	1
16	*	Suspensing plate	1	1	1	1
17	*	Hexagon bolt	3	3	3	3
18	GM13098	Valve mechanical cover	1	1		
18	*	Valve mechanical cover			1	1
19	*	Gasket			1	1
19	GM13100	Gasket	1	1		
20	GM12753	Filler cap	1	1	1	1
21	GM12780	Hexagon bolt	9	9	13	13
23	*	Cap	1	1		
23	*	Cap			1	1
24	GM13052	Cylinder head bolt	18	18	26	26
25	*	Cylinder head gasket 3.4 mm			1	1
25	GM13047	Cylinder head gasket 3.4 mm	1	1		
26	*	Cylinder head gasket 2.4 mm			1	1
26	GM13048	Cylinder head gasket 2.4 mm	1	1		
27	*	Cylinder head gasket 2.3 mm			1	1
27	GM13049	Cylinder head gasket 2.3 mm	1	1		
30	*	Bracket	1	1	1	1
31	*	Hexagon bolt	3	3	3	3

* Contact factory Service Parts Department

Group 9: Timing Gear Cover

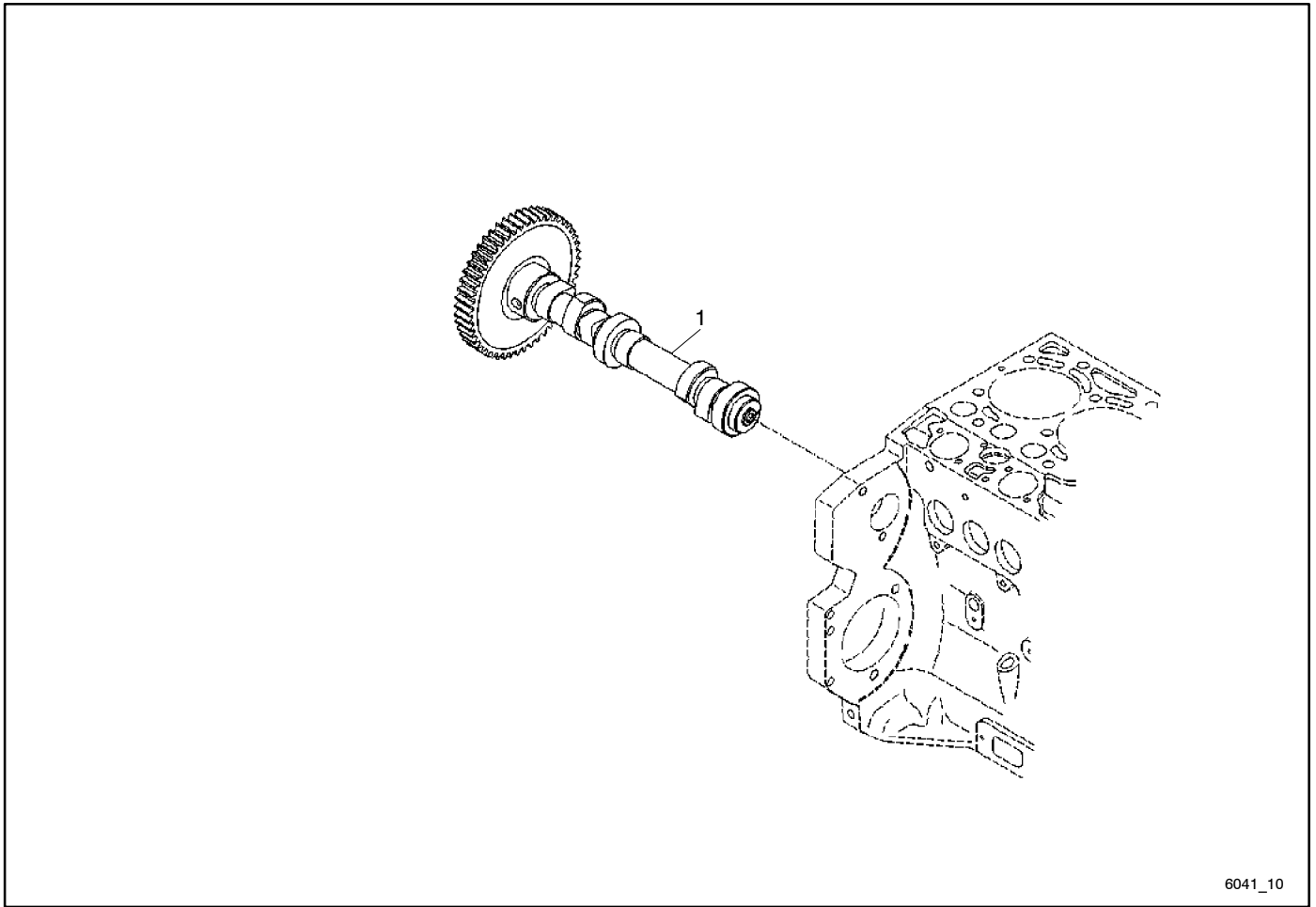


6041_9

Item	Part Number	Description	Quantity
			Variation Number
1	*	Gearcase	1
2	GM12773	Hexagon bolt	12
4	*	Rotating shaft lip seal	1
5	*	Hexagon bolt	2
6	*	Plain washer	2
7	*	Hose connector	1
8	GM12662	Sealing ring	1
9	*	Screw plug	1
10	*	Hexagon bolt	4
11	*	Safety/locking agent	1
12	GM12637	Packing compound	1

* Contact factory Service Parts Department

Group 10: Camshaft

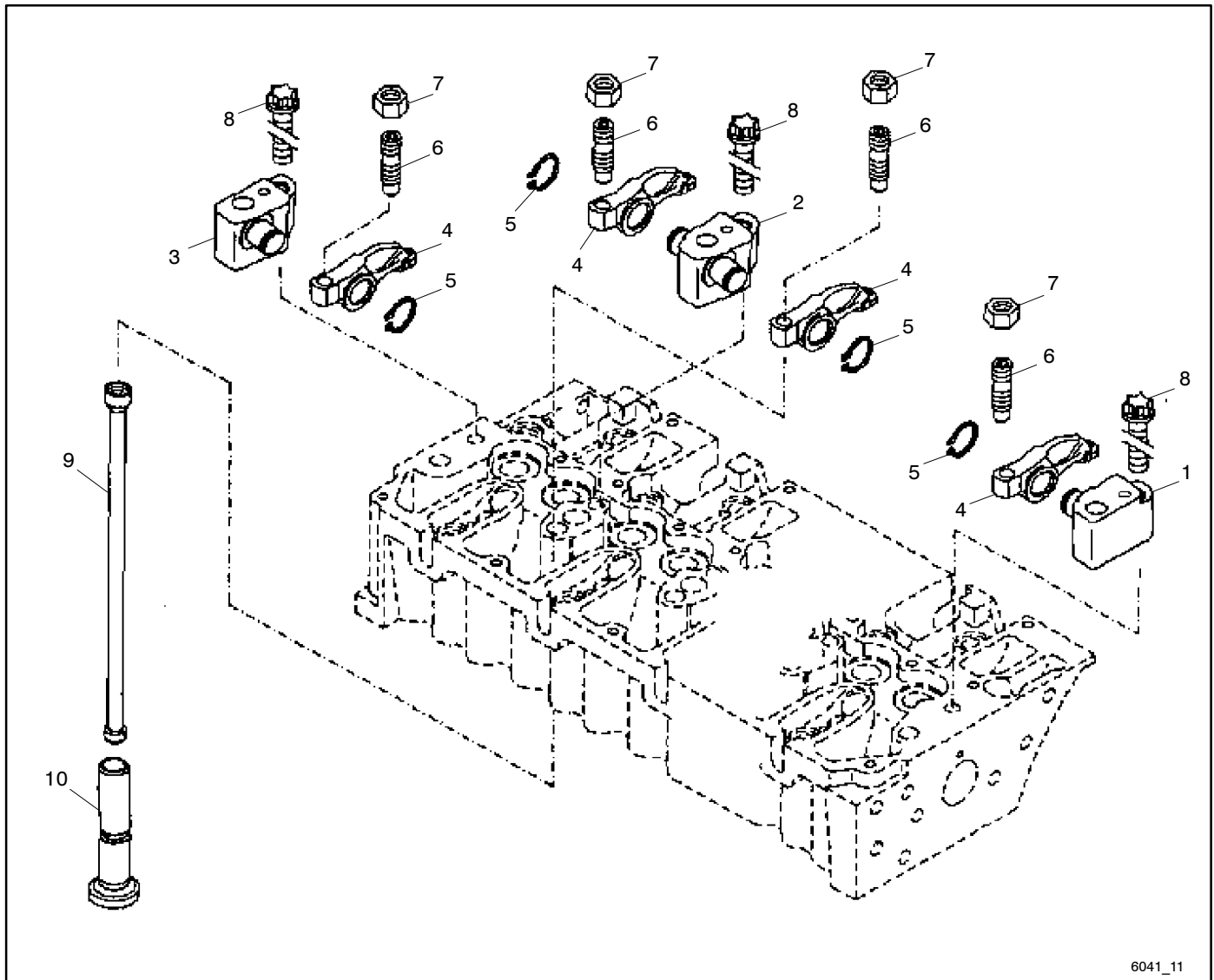


6041_10

Item	Part Number	Description	Quantity	
			Variation Number 1	Variation Number 2
1	*	Camshaft	1	1
1	*	Camshaft	1	

* Contact factory Service Parts Department

Group 11: Rocker Arms and Push Rods

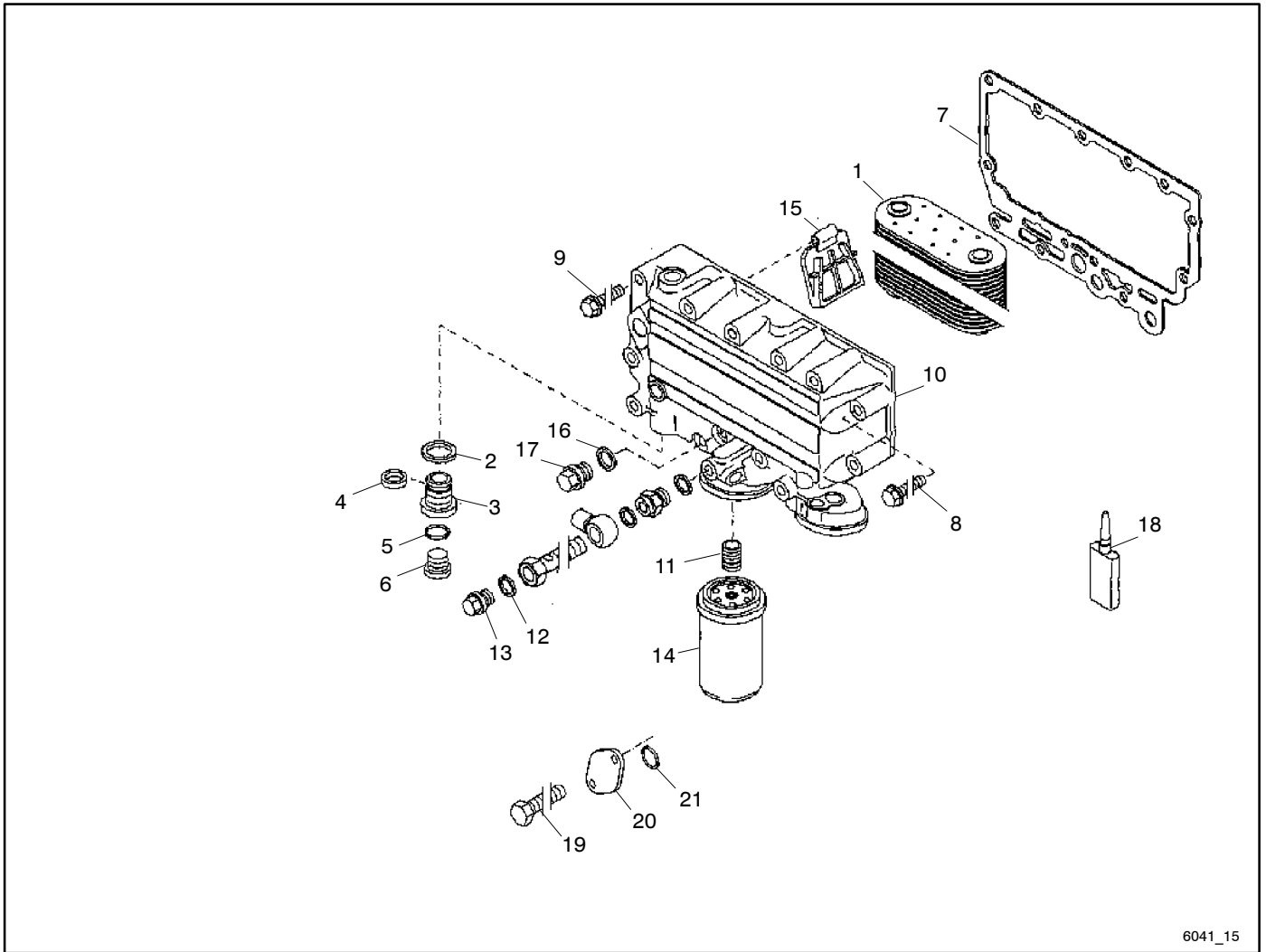


6041_11

Item	Part Number	Description	Quantity	
			Variation Number	
			1	2
1	GM13043	Rocker arm bracket	1	1
2	GM13044	Rocker arm bracket	1	1
3	GM13045	Rocker arm bracket	1	1
4	GM13061	Rocker arm	4	4
5	GM12648	Circlip	4	4
6	GM12901	Adjusting screw	4	4
7	GM12851	Hexagon nut	4	4
8	*	Torx-head bolt	3	3
9	*	Pushrod	2	2
10	GM13127	Tappet		2
10	*	Tappet	2	

* Contact factory Service Parts Department

Group 15: Lube Oil Cooler

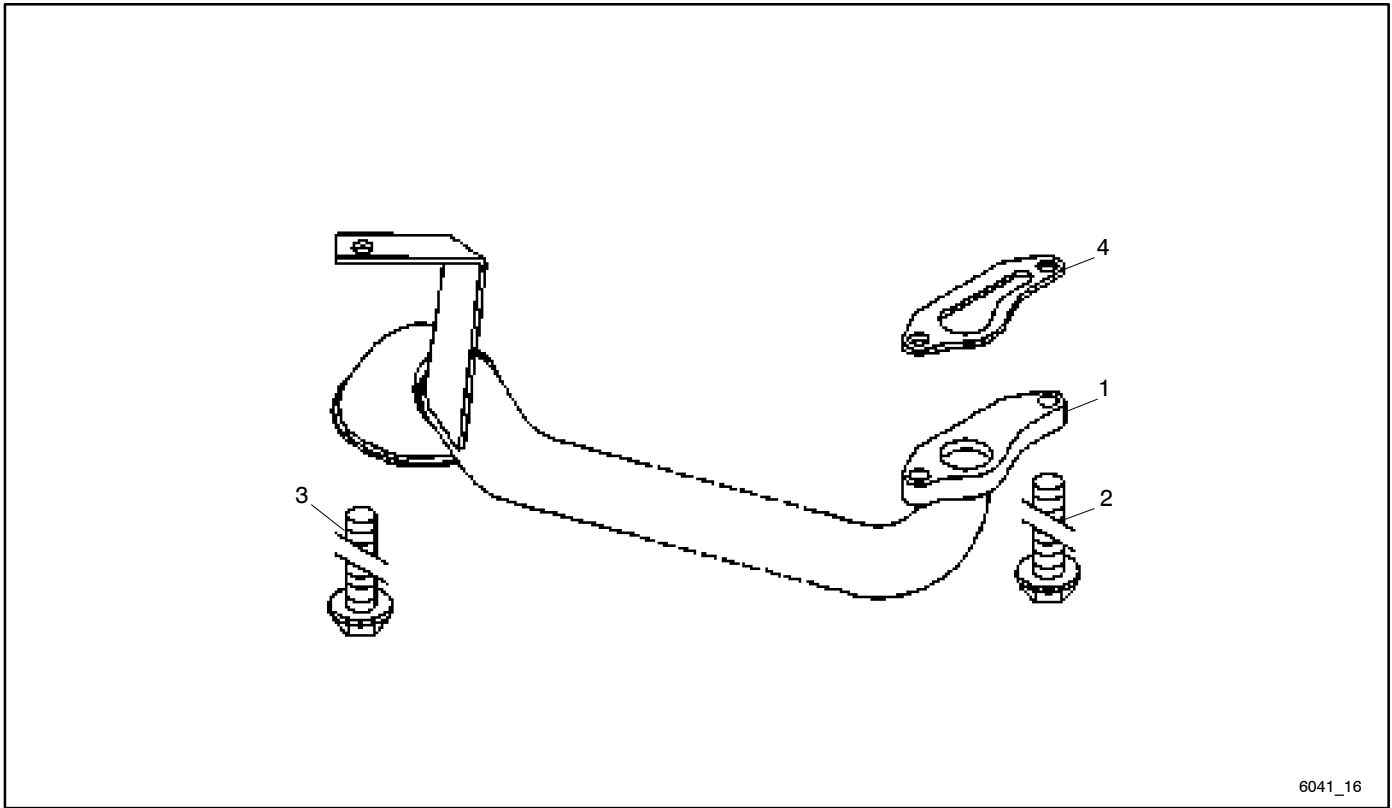


6041_15

Item	Part Number	Description	Quantity		
			Variation Number 1	Variation Number 2	Variation Number 3
1	GM13144	Oil cooler	1		
1	GM13145	Oil cooler		1	
1	GM13146	Oil cooler			1
2	*	Sealing ring	2	2	2
3	*	Collar screw	2	2	2
4	*	Sealing ring	2	2	2
5	*	O-seal	2	2	2
6	*	Screw plug	2	2	2
7	GM13097	Gasket	1	1	1
8	*	Hexagon bolt	3	3	3
9	GM12774	Hexagon bolt	10	10	10
10	*	Oil cooler box	1	1	1
11	*	Screwed bush	1	1	1
12	GM12659	Sealing ring	1	1	1
13	GM12672	Screw plug	1	1	1
14	GM12718	Spin-on oil filter	1		
14	GM12719	Spin-on oil filter		2	2
15	*	Butterfly stop valve	1	1	
16	GM12666	Sealing ring	1	1	1
17	*	Screw plug	1	1	1
18	*	Safety/locking agent	1	1	1
19	*	Hexagon bolt	2	2	2
20	*	Blank flange	1	1	1
21	*	O-seal	1	1	1

* Contact factory Service Parts Department

Group 16: Oil Intake Pipe

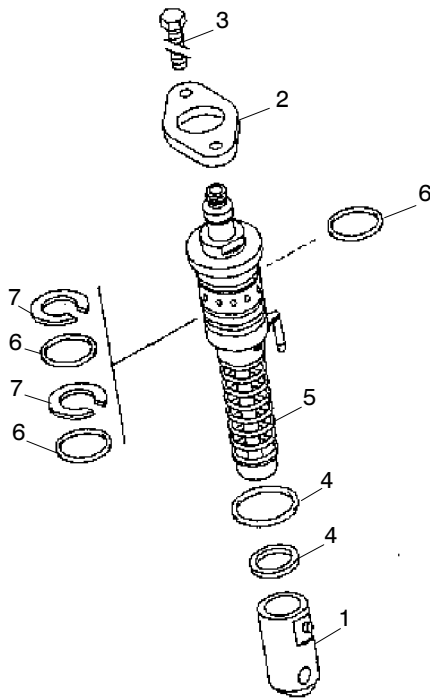


6041_16

Item	Part Number	Description	Quantity	
			Variation Number	
			1	2
1	GM13101	Oil suction pipe	1	
1	*	Oil suction pipe		1
2	*	Hexagon bolt	2	2
3	GM12778	Hexagon bolt	1	1
4	GM13017	Gasket	1	1

* Contact factory Service Parts Department

Group 17: Fuel Injection Pump

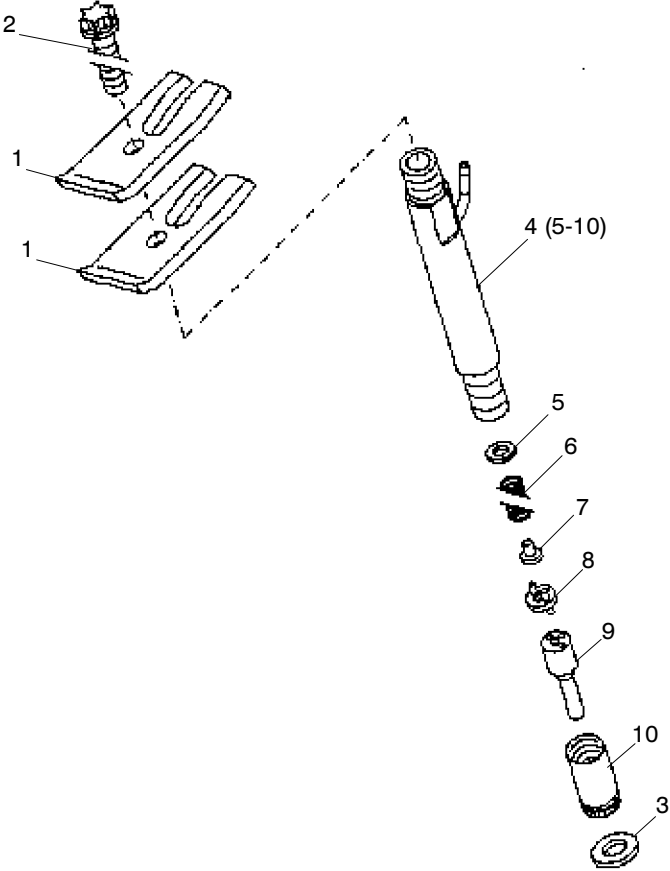


6041_17

Item	Part Number	Description	Quantity
			Variation Number
1	GM12868	Roller tappet	1
2	GM13051	Flange	1
3	GM12687	Hexagon bolt	2
4	GM13064	Shim, 1.0 mm	1
4	GM13065	Shim, 1.1 mm	1
4	GM13066	Shim, 1.2 mm	1
4	GM13067	Shim, 1.3 mm	1
4	GM13068	Shim, 1.4 mm	1
4	GM13069	Shim, 1.5 mm	1
4	GM13070	Shim, 1.6 mm	1
4	GM13071	Shim, 1.7 mm	1
4	GM13072	Shim, 1.8 mm	1
4	GM13073	Shim, 1.9 mm	1
4	GM13074	Shim, 2.0 mm	1
4	GM13075	Shim, 2.1 mm	1
4	GM13076	Shim, 2.2 mm	1
4	GM13077	Shim, 2.3 mm	1
4	GM13078	Shim, 2.4 mm	1
4	GM13079	Shim, 2.5 mm	1
4	GM13080	Shim, 2.6 mm	1
4	GM13081	Shim, 2.7 mm	1
4	GM13082	Shim, 2.8 mm	1
4	GM13083	Shim, 2.9 mm	1
4	GM13084	Shim, 3.0 mm	1
4	GM13085	Shim, 3.1 mm	1
4	GM13086	Shim, 3.2 mm	1
4	GM13087	Shim, 3.3 mm	1
5	GM12862	Fuel injection pump	1
6	GM12828	O-ring	3
7	GM12829	Shim	2

* Contact factory Service Parts Department

Group 19: Fuel Injector

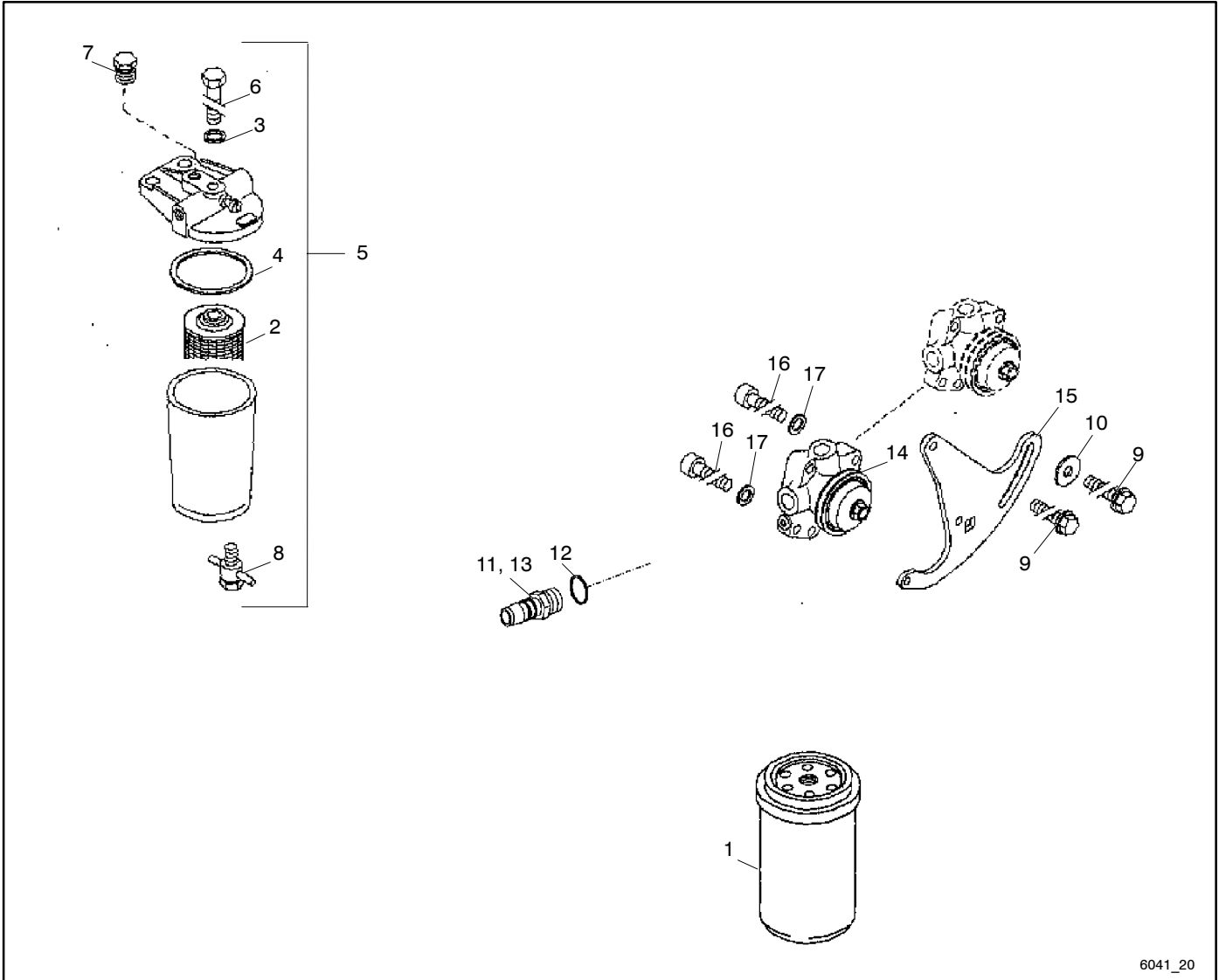


Group 19: Fuel Injector

Item	Part Number	Description	Quantity	
			Variation Number	
			1	2
1	GM13050	Claw	2	2
2	*	Torx-head bolt	1	1
3	GM12925	Sealing ring	1	1
4	GM12865	Fuel injector		1
4	GM12869	Fuel injector	1	
5	GM12803	Shim	1	1
5	GM12804	Shim, oversize 1.10 mm	1	1
5	GM12805	Shim, oversize 1.24 mm	1	1
5	GM12806	Shim, oversize 1.50 mm	1	1
5	GM12807	Shim, oversize 1.04 mm	1	1
5	GM12808	Shim, oversize 1.08 mm	1	1
5	GM12809	Shim, oversize 1.14 mm	1	1
5	GM12810	Shim, oversize 1.18 mm	1	1
5	GM12811	Shim, oversize 1.20 mm	1	1
5	GM12812	Shim, oversize 1.28 mm	1	1
5	GM12813	Shim, oversize 1.30 mm	1	1
5	GM12814	Shim, oversize 1.34 mm	1	1
5	GM12815	Shim, oversize 1.38 mm	1	1
5	GM12816	Shim, oversize 1.40 mm	1	1
5	GM12817	Shim, oversize 1.44 mm	1	1
5	GM12818	Shim, oversize 1.48 mm	1	1
5	GM12819	Shim, oversize 1.54 mm	1	1
7	GM12823	Thrust bolt	1	1
8	*	Spacer	1	
8	GM12824	Spacer		1
9	GM12863	Nozzle element		1
9	GM12870	Nozzle element	1	
10	GM12821	Nozzle cap nut	1	1

* Contact factory Service Parts Department

Group 20: Fuel Pump and Fuel Filter



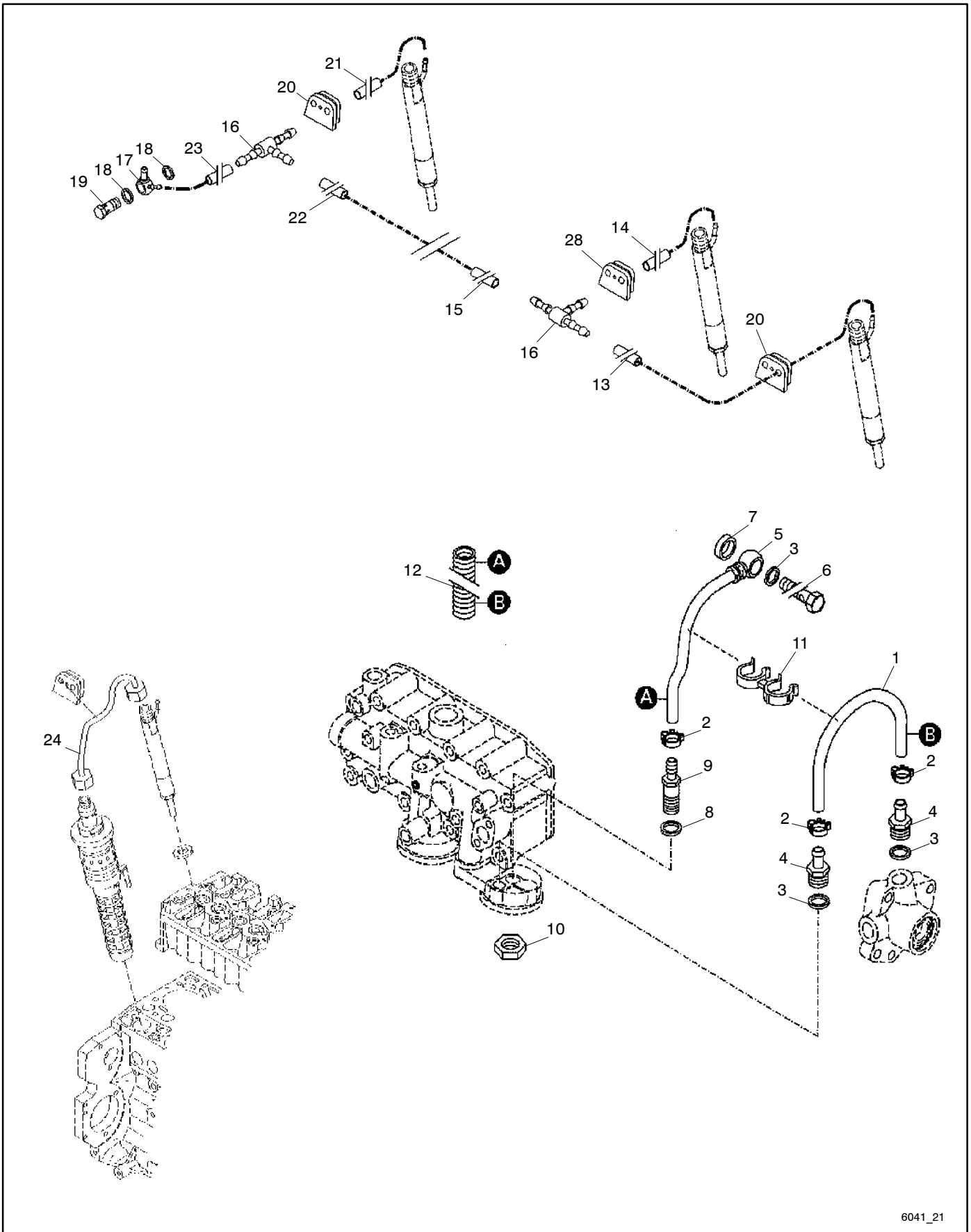
6041_20

Item	Part Number	Description	Quantity	
			1	2
1	GM13800	Spin-on fuel filter	1	1
2	GM12710	Strainer element	1	1
3	GM12658	Sealing ring	1	1
4	GM12799	Gasket	1	1
5	GM12855	Fuel filter	1	1
6	*	Hexagon bolt	1	1
7	GM12798	Vent plug	1	1
8	*	Drain plug	1	1
9	*	Hexagon bolt	2	2
10	*	Plain washer	1	1
11	*	Hose connector	1	1
12	GM12665	Sealing ring	1	1
12	GM12665	Sealing ring	1	1
13	GM12784	Socket/adaptor	1	1
14	*	Fuel pump	1	1
15	*	Clamping strap	1	1
16	*	Cheese head screw	2	2
17	*	Spring washer	2	2

* Contact factory Service Parts Department

Notes

Group 21: Fuel Pipes



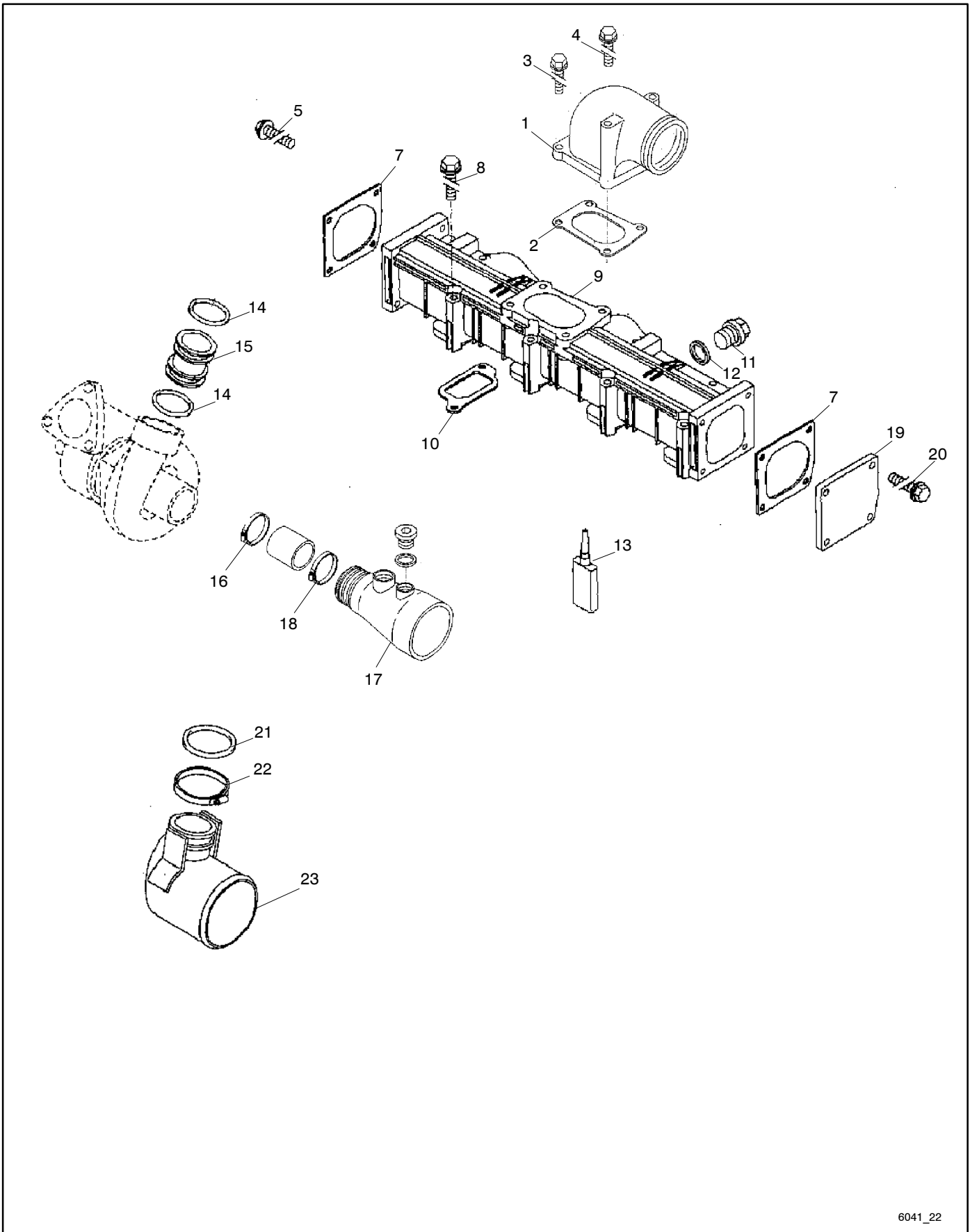
6041_21

Group 21: Fuel Pipes

Item	Part Number	Description	Quantity		
			Variation Number		
			1	2	3
1	*	Hose	1	1	
2	*	Hose clip	3	3	
3	GM12662	Sealing ring	3	3	
4	*	Hose nipple	2	2	
5	*	Fuel line	1	1	
6	GM12786	Hollow screw	1	1	
7	GM12857	Sealing ring	1	1	
8	GM12665	Sealing ring	1	1	
9	*	Hose sleeve	1	1	
10	*	Hexagon nut	1	1	
11	*	Hose retainer	1	1	
12	*	Corrugated tube	1	1	
13	*	Rubber hose	1		
13	GM12840	Rubber hose		1	1
14	*	Rubber hose	1		
14	GM12840	Rubber hose		1	1
15	*	Rubber hose	1		
15	GM12840	Rubber hose		1	1
16	*	T-fitting	3	5	5
17	GM13001	Banjo fitting	1	1	1
18	GM12663	Sealing ring	2	2	2
19	*	Pressurestat	1	1	1
20	GM13006	Rubber seal	4	6	6
21	*	Rubber hose	1		
21	GM12840	Rubber hose		1	1
22	*	Rubber hose	1		
22	GM12840	Rubber hose		1	1
23	*	Rubber hose	1		
23	GM12840	Rubber hose		1	1
24	*	High pressure pipe	1	1	1

* Contact factory Service Parts Department

Group 22: Air Intake



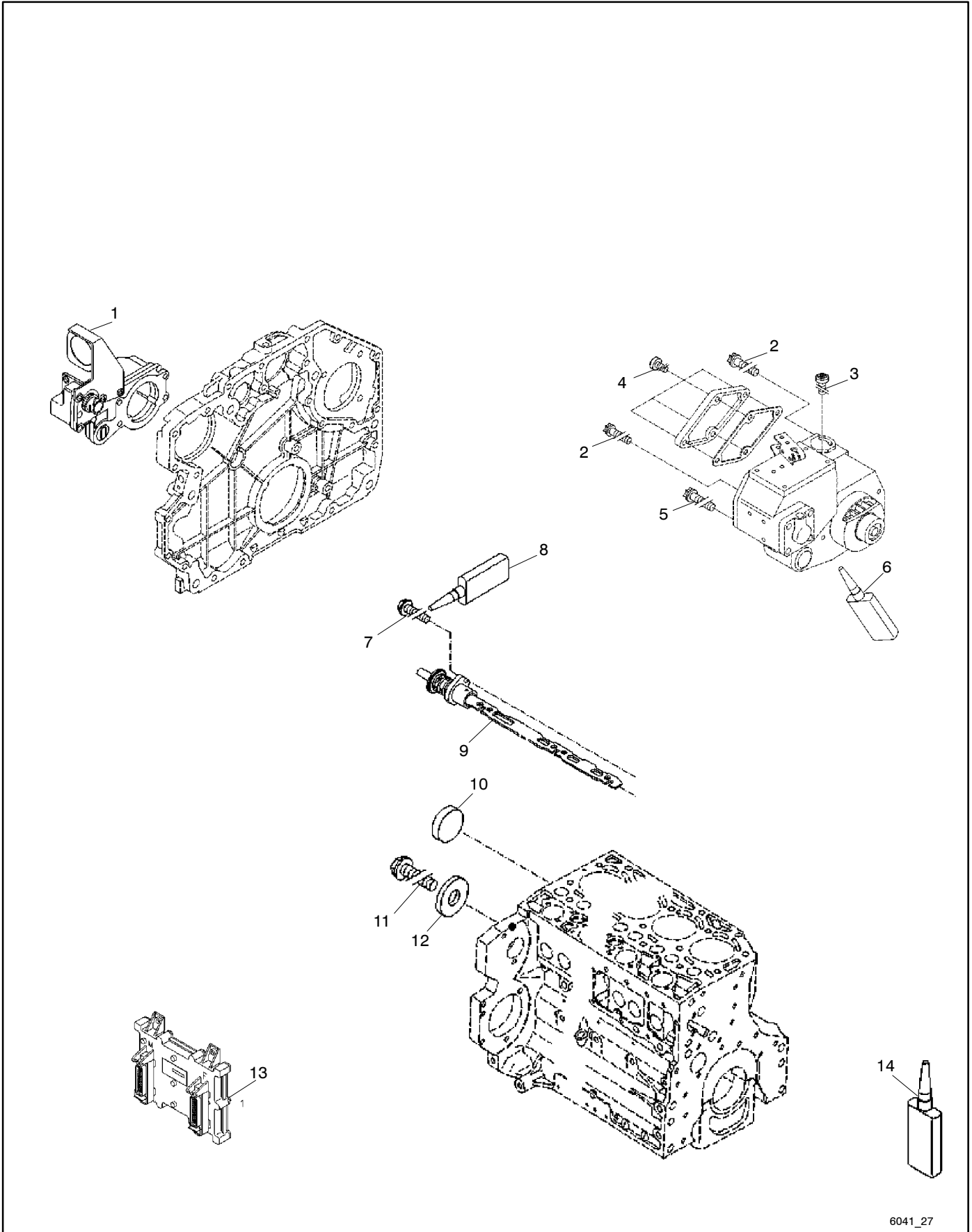
6041_22

Group 22: Air Intake

Item	Part Number	Description	Quantity			
			Variation Number			
			1	2	3	4
1	*	Charge air elbow	1			
1	*	Air elbow				1
1	*	Air elbow		1		
1	*	Charge air elbow			1	
2	*	Gasket	1		1	
2	*	Gasket		1		1
3	*	Hexagon bolt		2		
3	*	Hexagon bolt				2
3	GM12773	Hexagon bolt	2		2	
4	*	Hexagon bolt		2		
4	*	Plain washer		4		2
4	*	Hexagon bolt				2
5	*	Hexagon bolt			4	4
7	GM13056	Gasket	1	1	1	1
7	*	Gasket			1	1
8	*	Hexagon bolt	8	8	12	12
9	*	Charge air pipe			1	
9	GM13117	Charge air pipe		1		
9	*	Charge air pipe	1			
9	*	Charge air pipe				1
9	*	Charge air pipe			1	
10	GM13032	Gasket	4	4		
11	*	Screw plug			1	1
11	*	Screw plug	1	1	1	1
12	GM12659	Sealing ring			1	1
12	GM12662	Sealing ring	1	1	1	1
14	*	O-seal	2			
14	*	O-seal			2	2
15	*	Plug	1			
15	*	Plug			1	1
16	GM12711	Hose clip				1
17	*	Elbow connector				1
18	GM12711	Hose clip				1
19	*	Cover	1	1	1	1
20	*	Hexagon bolt	4	4	4	4
21	*	O-seal		1		
22	GM12712	Hose clip		1		
23	*	Manifold		1		
24	*	Rubber sleeve				1
25	*	Screw plug				1
26	*	Sealing ring				1

* Contact factory Service Parts Department

Group 27: Speed Control



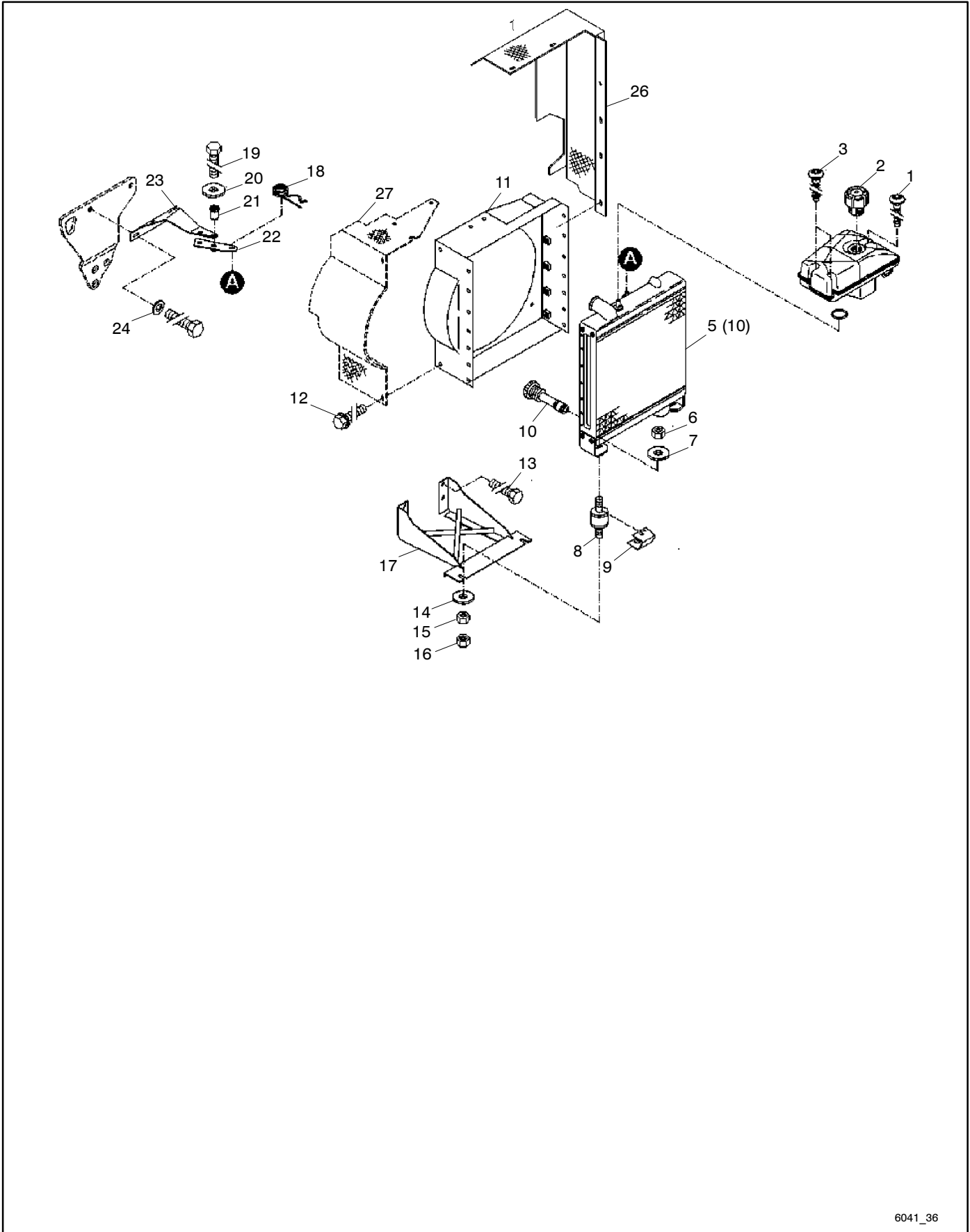
6041_27

Group 27: Speed Control

Item	Part Number	Description	Quantity	
			Variation Number	
			1	2
1	*	Actuator	1	1
2	*	Cheese head screw	2	2
3	*	Locking screw	1	1
4	*	Locking screw	4	4
5	*	Cheese head screw	3	3
6	*	Packing compound	1	1
7	GM12776	Hexagon bolt	1	1
8	GM12638	Safety/locking agent		1
8	*	Safety/locking agent	1	
9	*	Control rod	1	
9	*	Control rod		1
10	*	Cover	1	1
11	*	Hexagon bolt	1	1
12	*	Plain washer	1	1
13	*	Control unit	1	1
14	GM12641	Safety/locking agent	1	1

* Contact factory Service Parts Department

Group 36: Cooling System



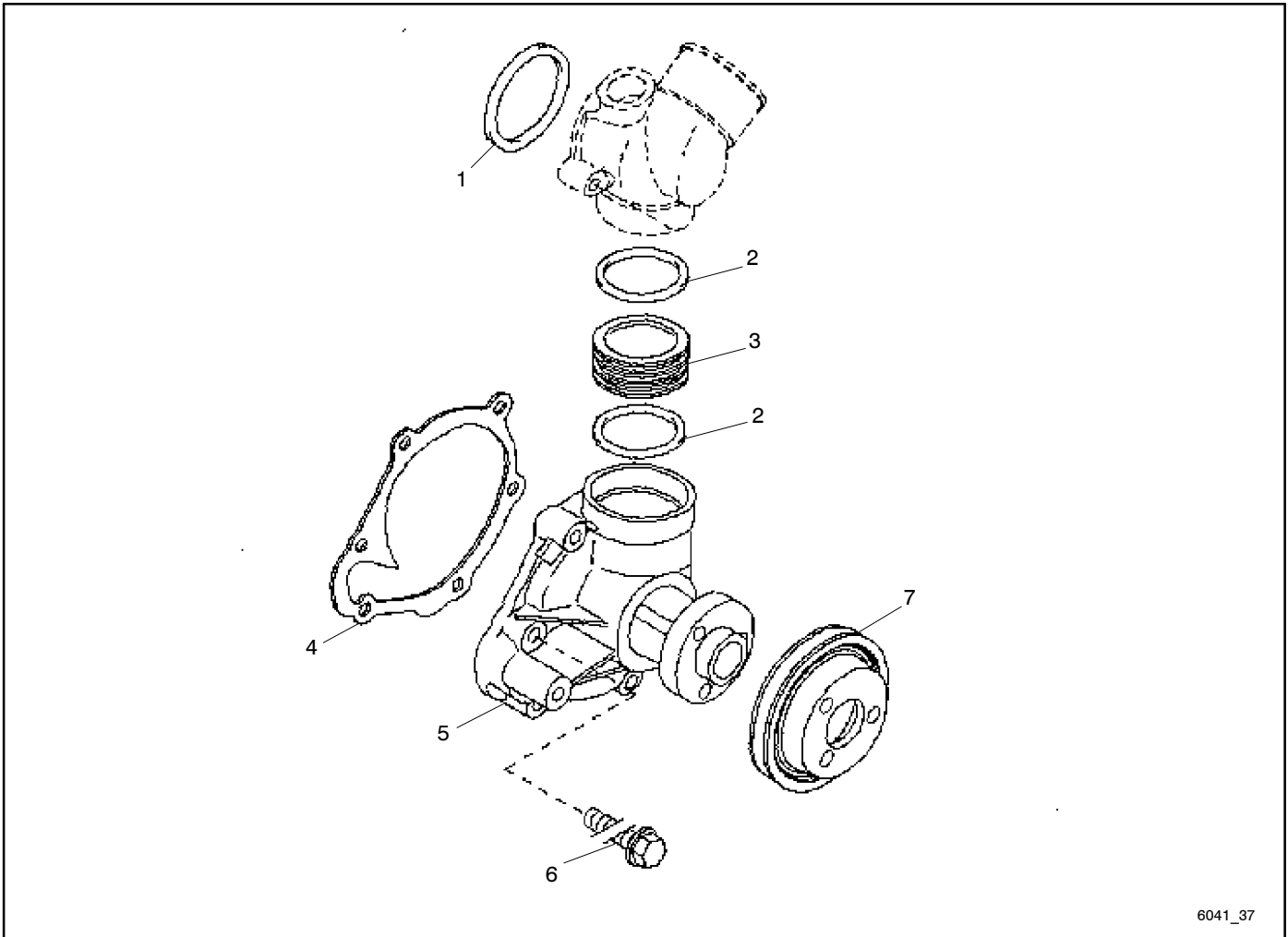
6041_36

Group 36: Cooling System

Item	Part Number	Description	Quantity			
			Variation Number			
			1	2	3	4
1	*	Thread cutting screw	3			
2	*	Filler cap	1	1		
2	*	Filler cap			1	1
3	*	Thread cutting screw		3		
4	*	O-seal	1	1		
4	*	Expansion tank	1	1		
5	GM13124	Water cooler		1		
5	*	Coolant cooler	1			
5	GM13151	Cooling system				1
5	*	Coolant cooler			1	
6	*	Hexagon nut		6		
7	*	Plain washer		4		
7	*	Plain washer				6
8	*	Mount			3	3
8	*	Plain washer				3
8	*	Mount	2	2		
9	*	Fuse-element	2		3	3
10	GM12662	Sealing ring			1	
10	GM12663	Sealing ring				1
10	*	Screw plug			1	
10	*	Screw plug				1
10	*	Drain plug	1	1		
11	*	Fan cowling		1		
11	*	Fan cowling				1
11	*	Fan cowling	1			
11	*	Fan cowling			1	
12	*	Hexagon bolt	#	9	#	#
13	*	Hexagon bolt		4		
13	*	Hexagon bolt	2	1	4	4
14	*	Plain washer	6			
14	*	Plain washer			9	
15	*	Hexagon nut			6	6
15	*	Hexagon nut	4			
15	*	Hexagon bolt				2
16	*	Hexagon nut	2			
16	*	Hexagon nut			3	3
17	*	Bracket		1		
17	*	Bracket			1	
17	*	Bracket	1			
17	*	Bracket				1
18	*	Clip pin	1			
19	*	Hexagon bolt	2			
19	GM12691	Hexagon bolt		2		
20	*	Plain washer	2			
21	*	Bush		1		
21	*	Rubber bush	2			
22	*	Brace/strut		1		
22	*	Radiator brace			1	
22	*	End piece	1			
23	*	Bracket		1		
23	*	Radiator brace	1			
23	*	Radiator brace				1
23	*	Brace				1
23	*	Radiator brace			1	
24	GM12688	Plain washer			2	2
24	*	Plain washer	2			
25	*	Hexagon bolt		1		
25	*	Hexagon bolt		2	2	2
25	*	Hexagon bolt	2		2	
26	*	Grille/grid		1		
26	*	Grille/grid			1	
26	*	Grille/grid	1			
26	*	Grille/grid				1
27	*	Grille/grid		1		
27	*	Grille/grid			1	
27	*	Grille/grid	1			
27	*	Grille/grid				1
27	*	Grille/grid				1

* Contact factory Service Parts Department

Group 37: Water Pump



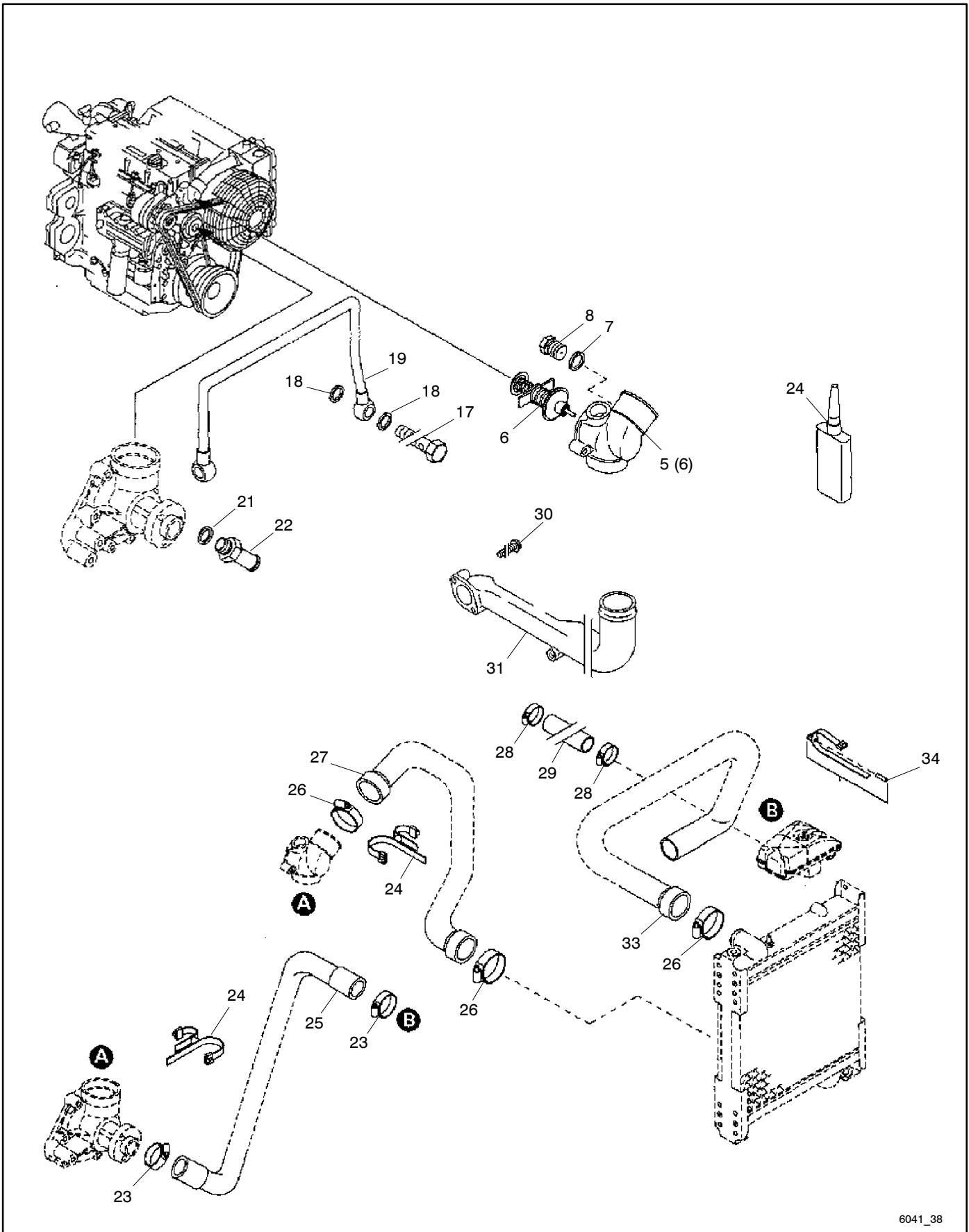
6041_37

Item	Part Number	Description	Quantity
			Variation Number
1	GM12766	O-seal	1
2	GM12783	O-seal	2
3	*	Plug	1
4	*	Flat gasket	1
5	GM13110	Coolant pump	1
6	GM12773	Hexagon bolt	9
7	*	V-grooved pulley	1

* Contact factory Service Parts Department

Notes

Group 38: Water Pipes



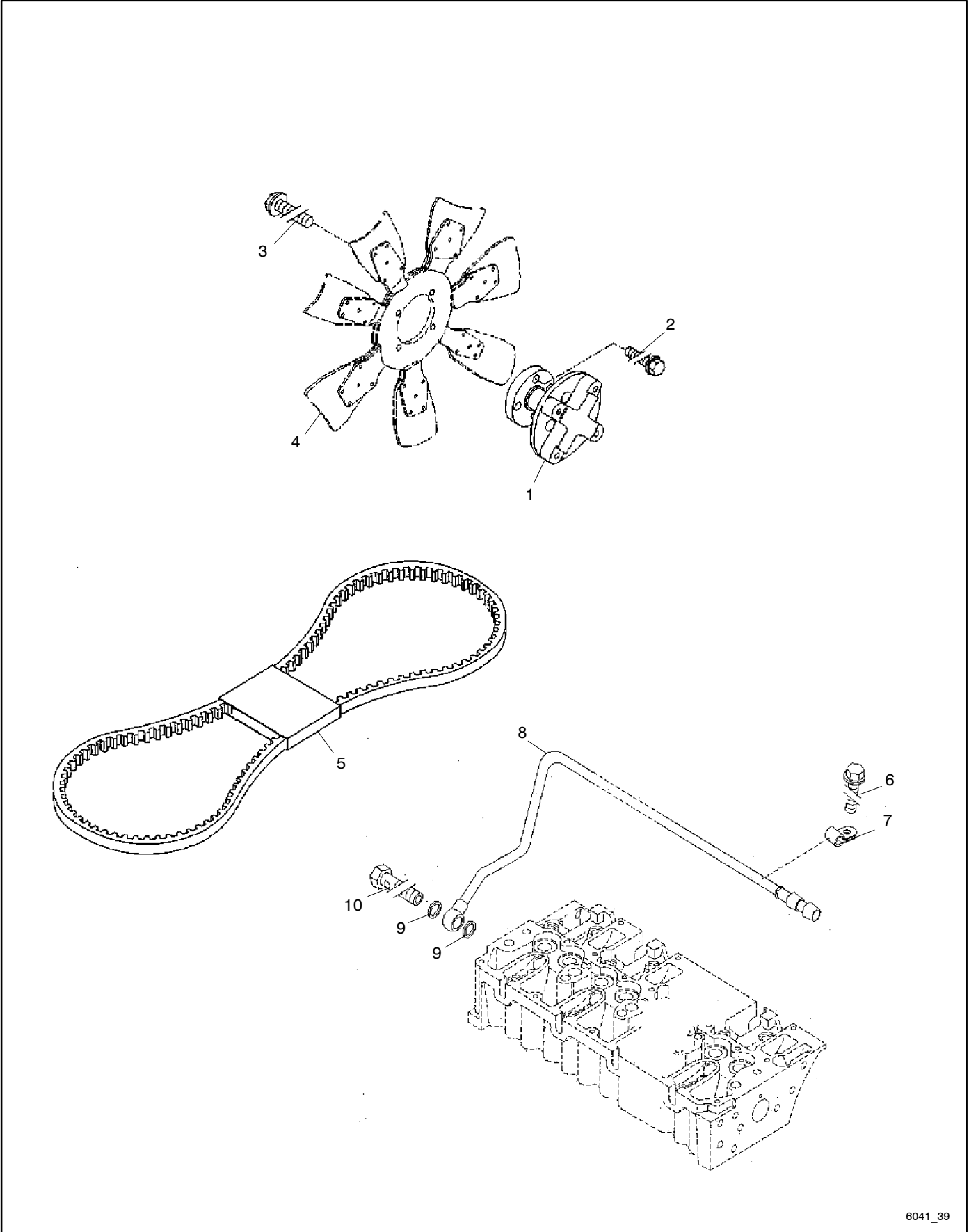
6041_38

Group 38: Water Pipes

Item	Part Number	Description	Quantity			
			Variation Number			
			1	2	3	4
5	*	Thermostat housing	1	1	1	1
6	GM13845	Thermostat	1	1	1	1
7	*	Sealing ring	1	1	1	1
8	*	Vent plug	1	1	1	1
21	GM12664	Sealing ring	1	1	1	1
22	GM13106	Hose connector	1	1	1	1
23	GM12732	Spring band clamp	2	2	2	2
24	GM12637	Packing compound	1	1	1	1
24	*	Clamping band	1			1
24	*	Clamping band	1	2	2	2
25	*	Hose			1	
25	*	Balancing line		1		
25	*	Balancing line				1
25	*	Balancing line	1			
26	GM12712	Hose clip	4	4	4	4
27	*	Coolant pipe	1			
27	*	Coolant pipe		1		
27	*	Coolant pipe				1
27	*	Coolant pipe			1	
28	*	Hose clip	2	2	2	2
29	*	Hose				1
29	*	Hose	1			
29	*	Rubber hose		1		
29	*	Cable strap			1	2
30	*	Hexagon bolt	3	3	3	3
31	*	Water collection pipe	1	1		
31	*	Water collection pipe			1	1
33	*	Coolant pipe				1
33	*	Coolant pipe		1		
33	*	Coolant pipe	1			
33	*	Coolant pipe			1	
34	*	Clamping band	2		3	
34	*	Clamping band				1

* Contact factory Service Parts Department

Group 39: Cooling Fan



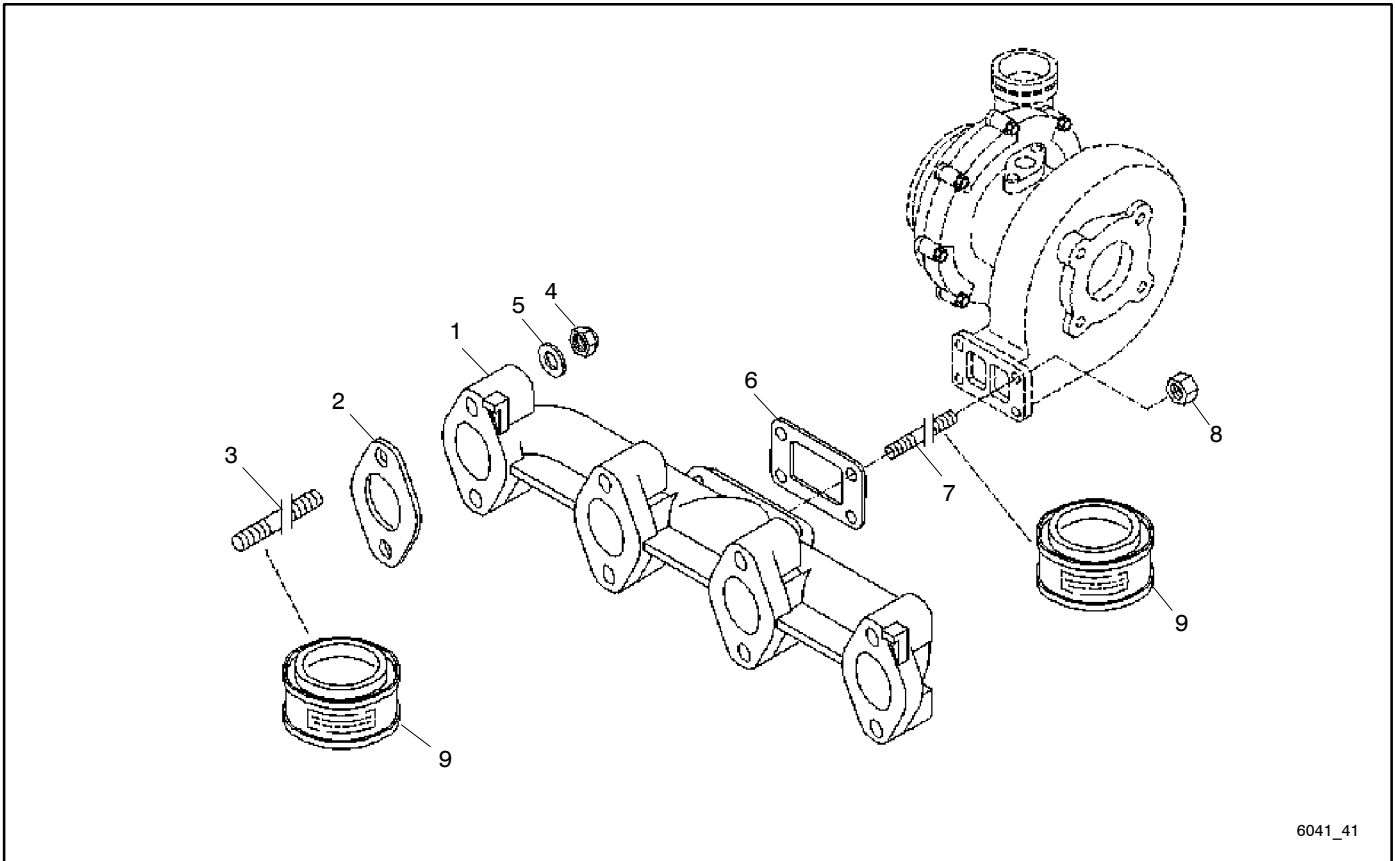
6041_39

Group 39: Cooling Fan

Item	Part Number	Description	Quantity			
			Variation Number			
			1	2	3	4
1	*	Adapter	1		1	
1	*	Extension				1
1	*	Adapter		1		1
2	GM12773	Hexagon bolt	4	4	4	4
3	GM12776	Hexagon bolt	4	4	4	4
3	*	Hexagon bolt				4
4	GM13134	Forced-draft fan		1		
4	GM13135	Forced-draft fan	1			
4	GM13136	Forced-draft fan			1	
4	GM13138	Forced-draft fan				1
5	GM12769	Narrow V-belt	1	1	1	1
6	*	Hexagon bolt	2	2	2	3
7	*	Pipe clamp	2	2	2	2
8	*	Breather line	1	1	1	
8	*	Breather line				1
9	GM12659	Sealing ring	2	2	2	2
10	GM12673	Hollow screw	1	1	1	1

* Contact factory Service Parts Department

Group 41: Exhaust Manifold

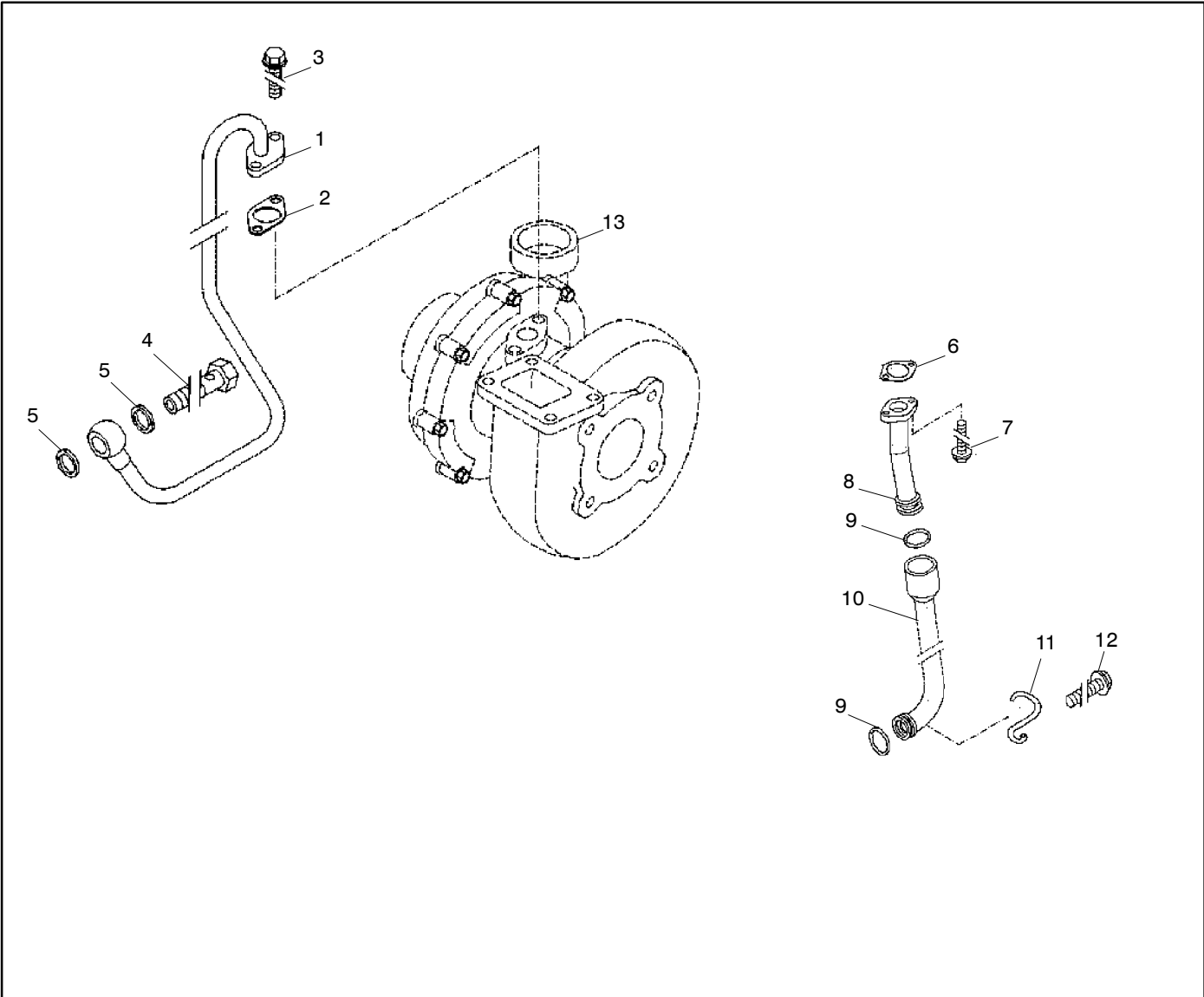


6041_41

Item	Part Number	Description	Quantity	
			Variation Number	
			1	2
1	*	Exhaust pipe		1
1	*	Exhaust pipe	1	
2	GM13139	Gasket	4	6
3	GM12872	Stud	8	#
4	GM12705	Hexagon nut	8	#
5	GM12997	Plain washer	8	#
6	*	Gasket		1
6	*	Gasket	1	
7	*	Stud		4
7	*	Stud	4	
8	GM12683	Hexagon nut	4	
8	*	Hexagon nut		4
9	*	Fitting compound	1	
9	*	Fitting compound		1

* Contact factory Service Parts Department

Group 43: Turbocharger

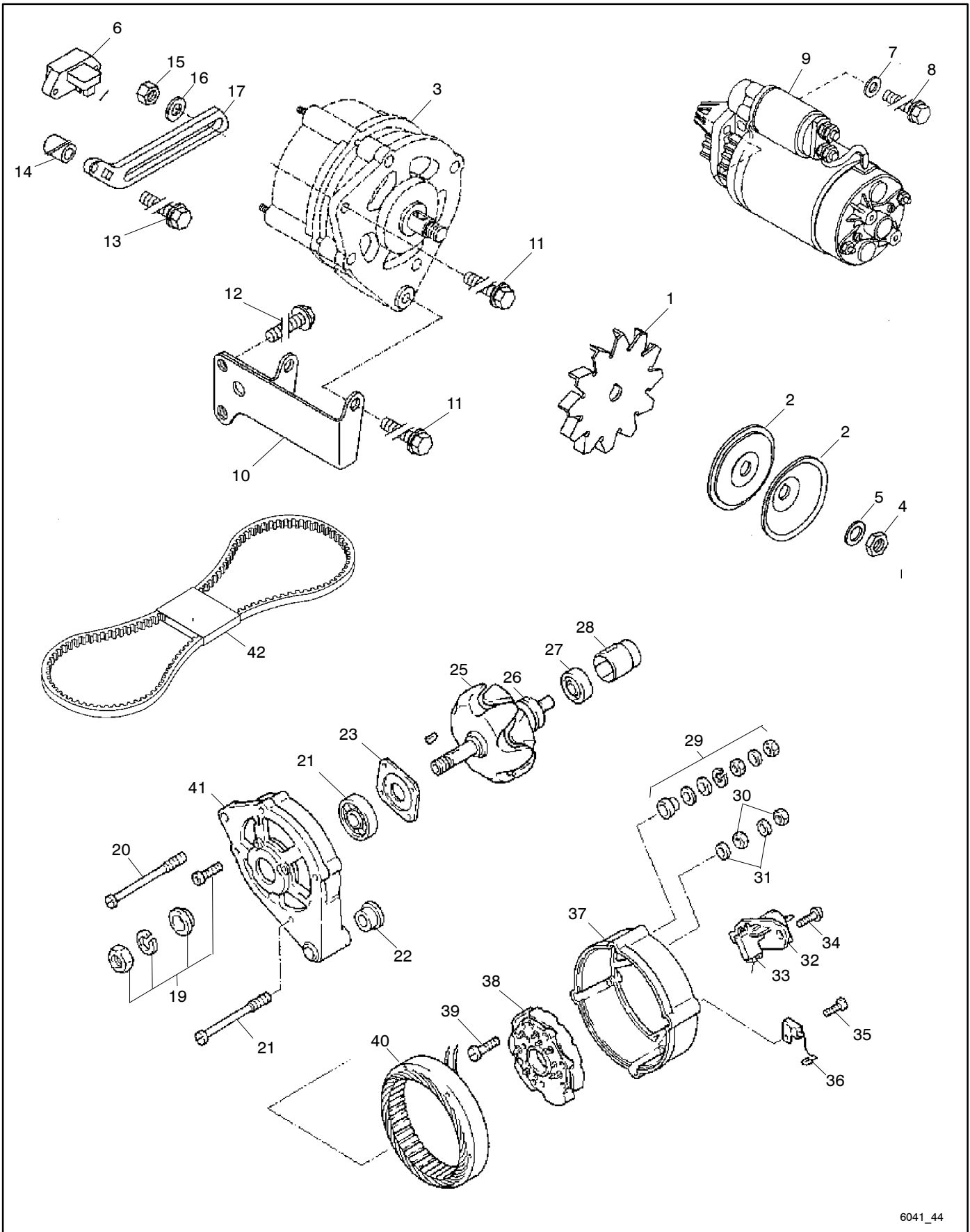


6041 43

Item	Part Number	Description	Quantity		
			1	2	3
1	*	Lubricating oil line			1
1	*	Lubricating oil line	1	1	
2	GM12972	Gasket	1	1	1
3	GM12776	Hexagon bolt	2	2	2
3	*	Return line	1	1	
4	GM12675	Hollow screw	1	1	1
5	GM12662	Sealing ring	2	2	2
6	GM12973	Gasket	1	1	1
7	GM12776	Hexagon bolt	2	2	2
8	*	Plug-in flange			1
9	GM12790	O-seal	2	2	2
10	*	Return line			1
10	*	Return line	1	1	
11	GM13041	Retainer	1	1	1
12	GM12778	Hexagon bolt	1	1	1
13	GM13155	Turbocharger			1
13	GM13158	Turbocharger	1		
13	GM13159	Turbocharger		1	

* Contact factory Service Parts Department

Group 44: Alternator and Starter



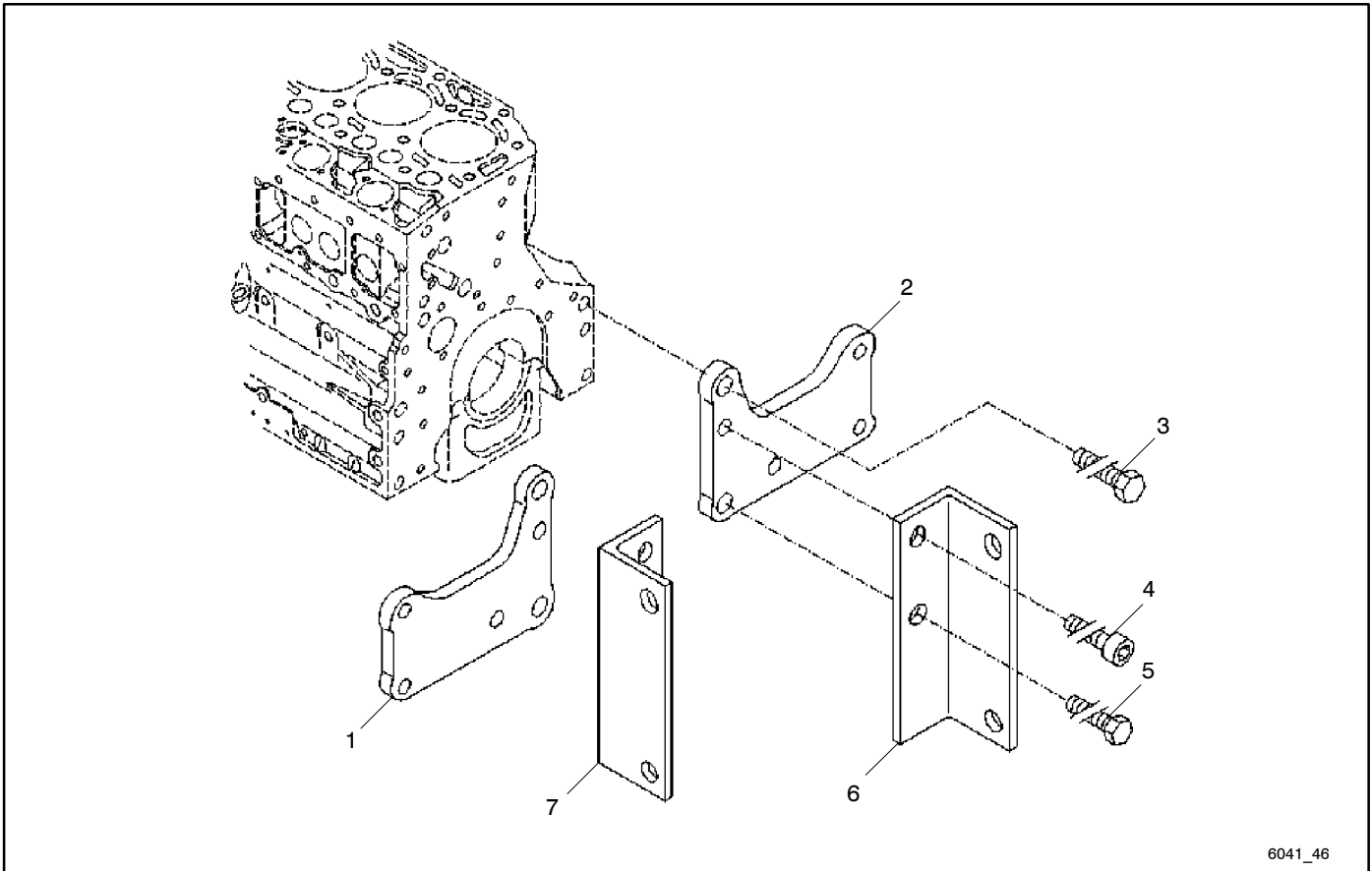
6041_44

Group 44: Alternator and Starter

Item	Part Number	Description	Quantity
			Variation Number
			1
1	GM12704	Fan	1
2	GM12726	V-grooved pulley	1
3	GM12730	Generator	1
4	GM12681	Hexagon nut	1
5	GM12646	Spring washer	1
6	GM12723	Voltage regulator	1
7	GM12688	Plain washer	3
8	GM12757	Hexagon bolt	3
9	GM12792	Starter	1
10	*	Bracket	1
11	GM12652	Hexagon bolt	1
11	GM12773	Hexagon bolt	1
12	*	Hexagon bolt	2
13	GM12774	Hexagon bolt	1
14	*	Bush	1
15	*	Hexagon nut	1
16	GM12874	Plain washer	2
17	GM13093	Clamping strap	1
19	*	Set of parts	1
20	*	Binding head screw	3
21	*	Binding head screw	1
21	*	Ball bearing	1
22	*	Stop bush	1
23	*	Cover plate	1
25	*	Rotor/impeller	1
26	*	Slip ring	1
27	*	Ball bearing	1
28	*	Cover	1
29	*	Set of parts	1
30	*	Hexagon nut	2
31	*	Spring washer	2
32	GM12723	Voltage regulator	1
33	*	Carbon brushes	1
34	*	Screw/bolt	2
35	*	Binding head screw	1
36	*	Suppression capacitor	1
37	*	Slip ring bearing	1
38	*	Rectifier	1
39	*	Screw/bolt	2
40	*	Columix	1
41	*	Drive bearing	1
42	GM12761	V-belt, narrow	1

* Contact factory Service Parts Department

Group 46: Engine Mounting

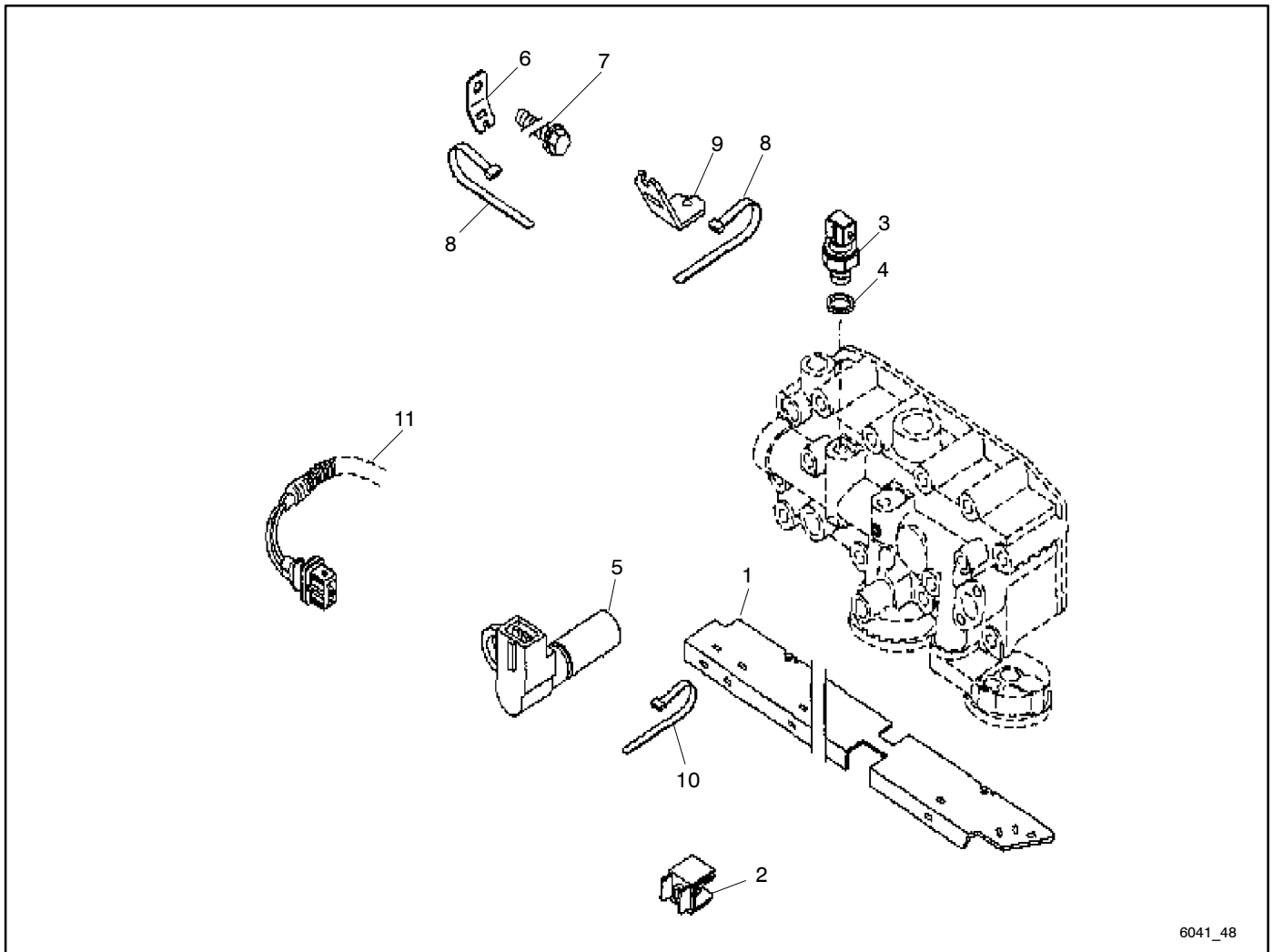


6041_46

Item	Part Number	Description	Quantity	
			Variation Number	
			1	2
1	*	Bracket	1	1
2	*	Bracket	1	1
3	*	Hexagon bolt		4
4	*	Cheese head screw		2
5	*	Hexagon bolt		1
6	*	Angled retainer		1
7	*	Angled retainer		1

* Contact factory Service Parts Department

Group 48: Electrical Accessories

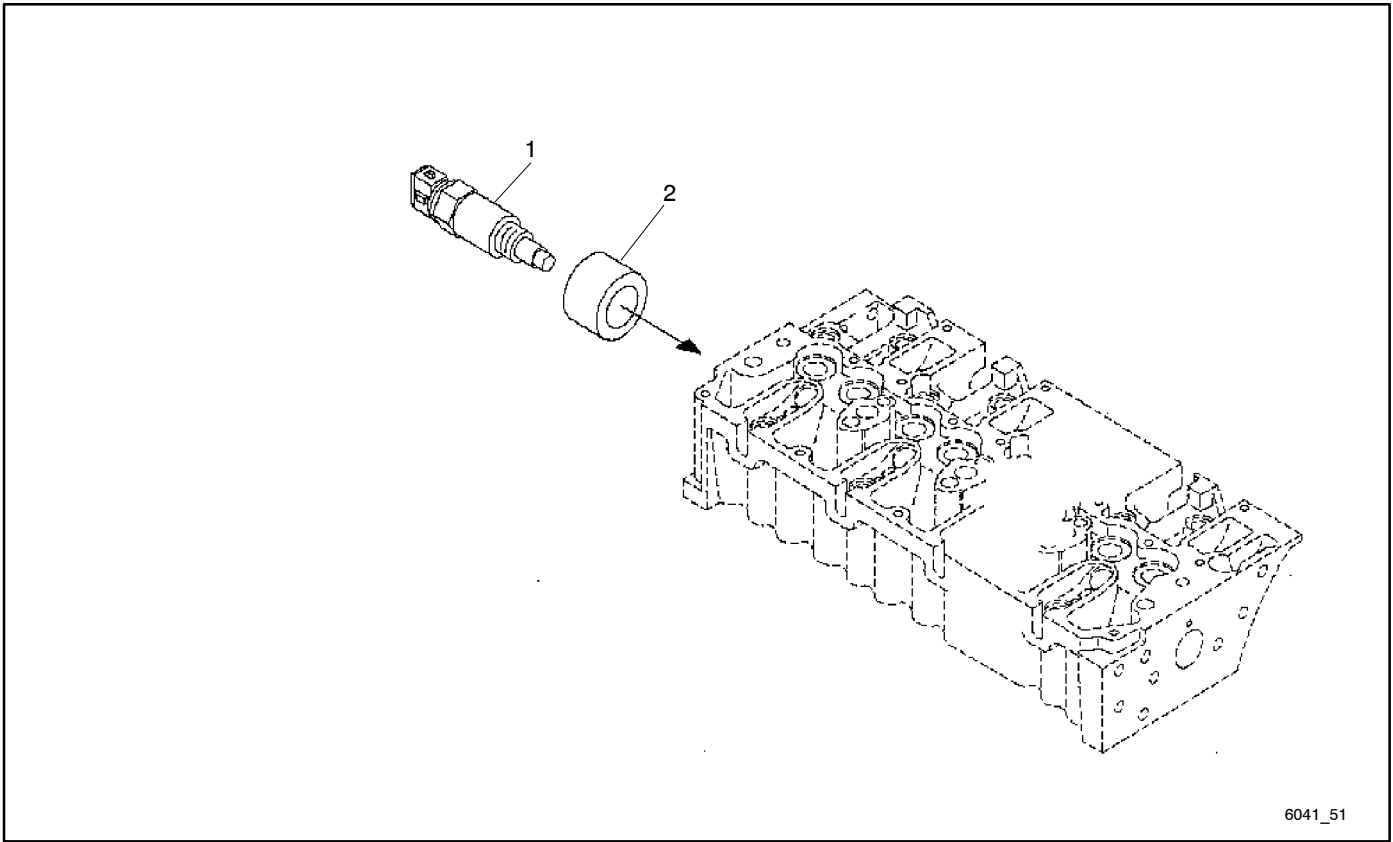


6041_48

Item	Part Number	Description	Quantity	
			1	2
1	*	Cover plate	1	
1	*	Cover plate		1
2	*	Cable clamp	1	2
3	GM13023	Temperature transmitter	1	1
4	GM12662	Sealing ring	1	1
5	*	Hexagon bolt	1	1
5	GM12975	Impulse transmitter	1	1
6	*	Bracket	3	3
7	*	Hexagon bolt	3	3
8	*	Clamping band	10	10
9	*	Bracket	1	1
10	*	Clamping band	7	7
11	*	Cable harness	1	1

* Contact factory Service Parts Department

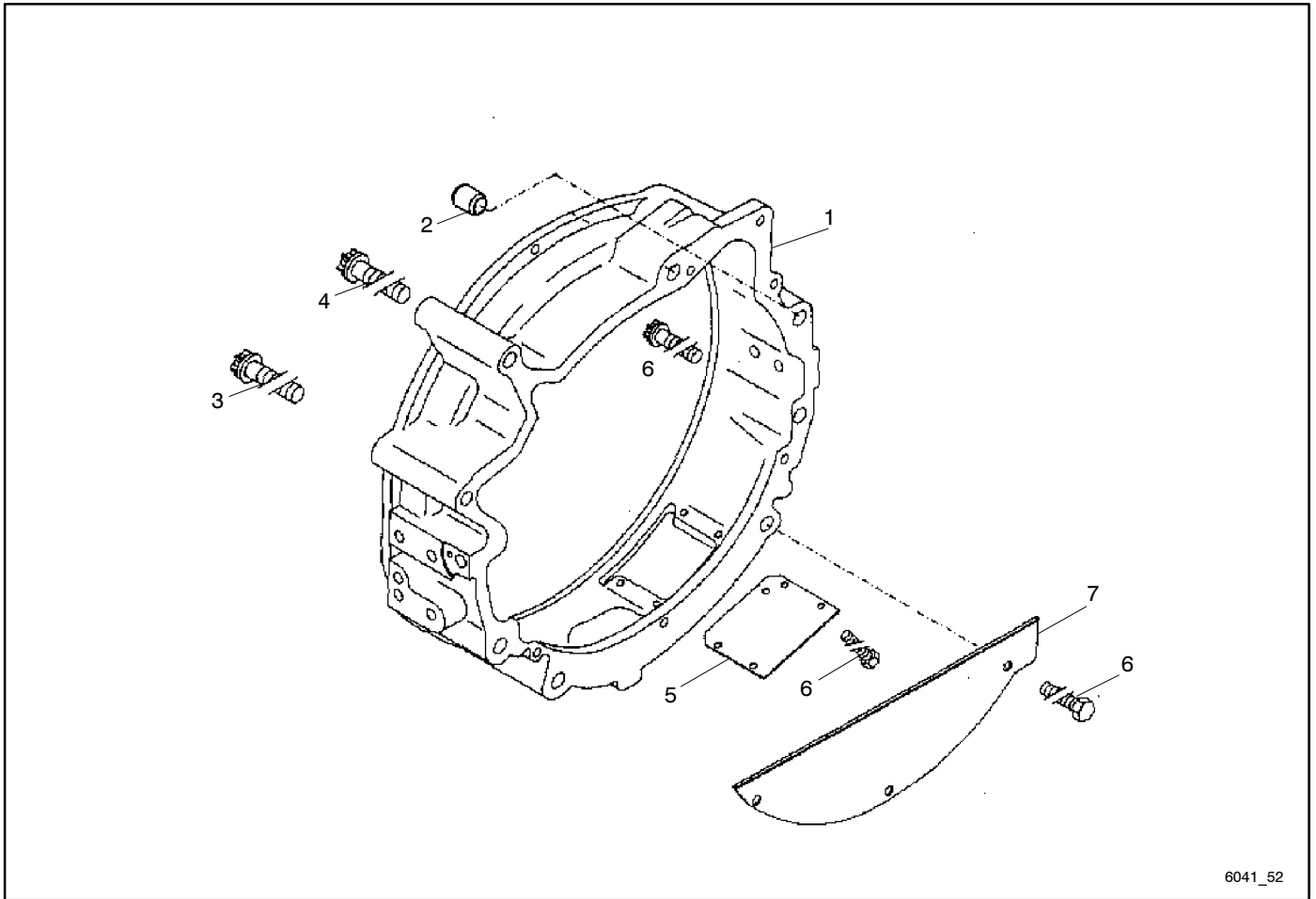
Group 51: Temperature Sensor



6041_51

Item	Part Number	Description	Quantity
			Variation Number
1	GM13024	Temperature transmitter	1
2	GM13025	Insulation sleeving	1

Group 52: Flywheel Housing

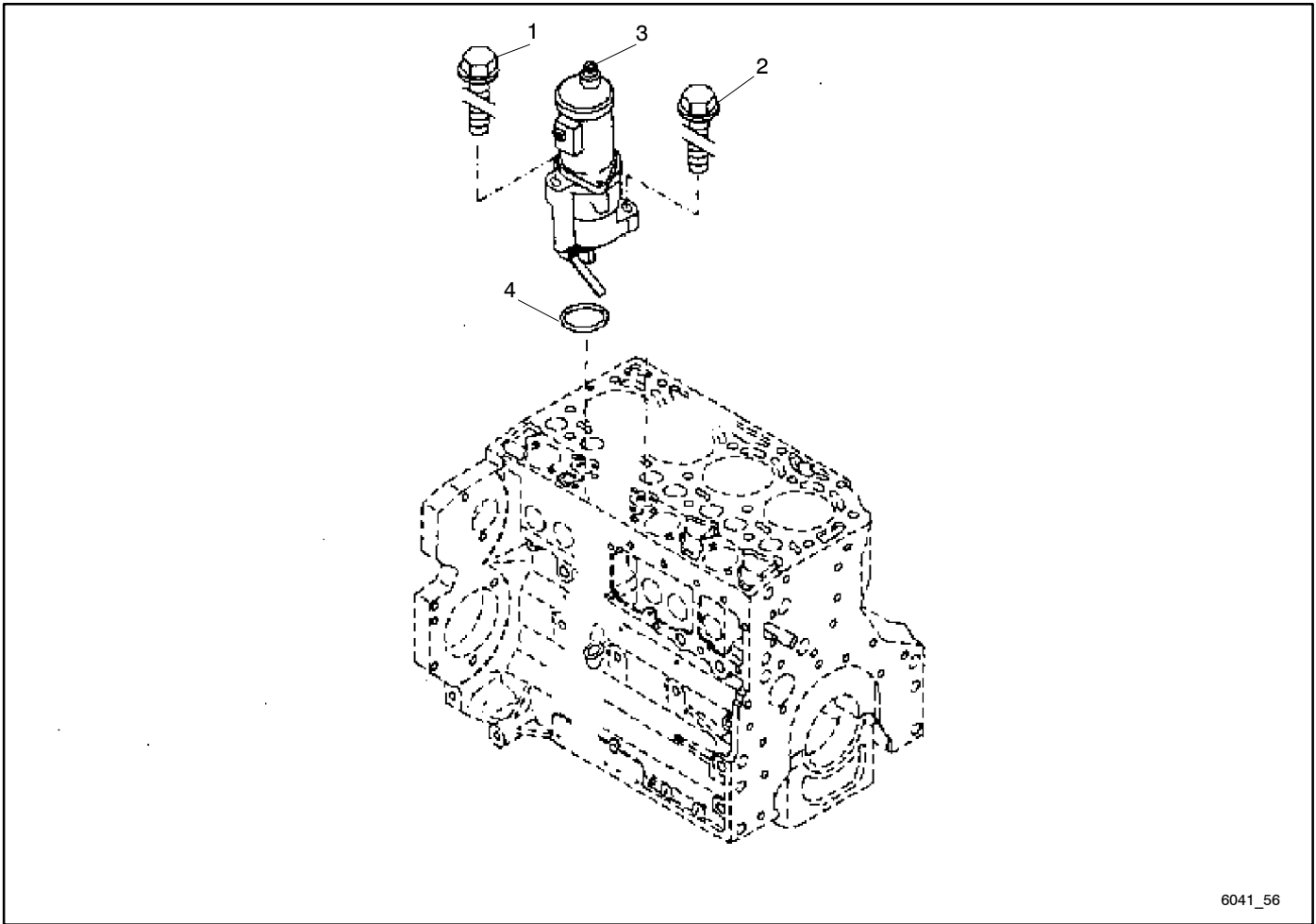


6041_52

Item	Part Number	Description	Quantity
			Variation Number
1	*	Connection housing	1
2	*	Bush	2
3	*	Torx-head bolt	2
4	*	Torx-head bolt	4
5	*	Cover plate	1
6	*	Hexagon bolt	3
6	*	Hexagon bolt	4
7	*	Cover plate	1

* Contact factory Service Parts Department

Group 56: Engine Shutdown

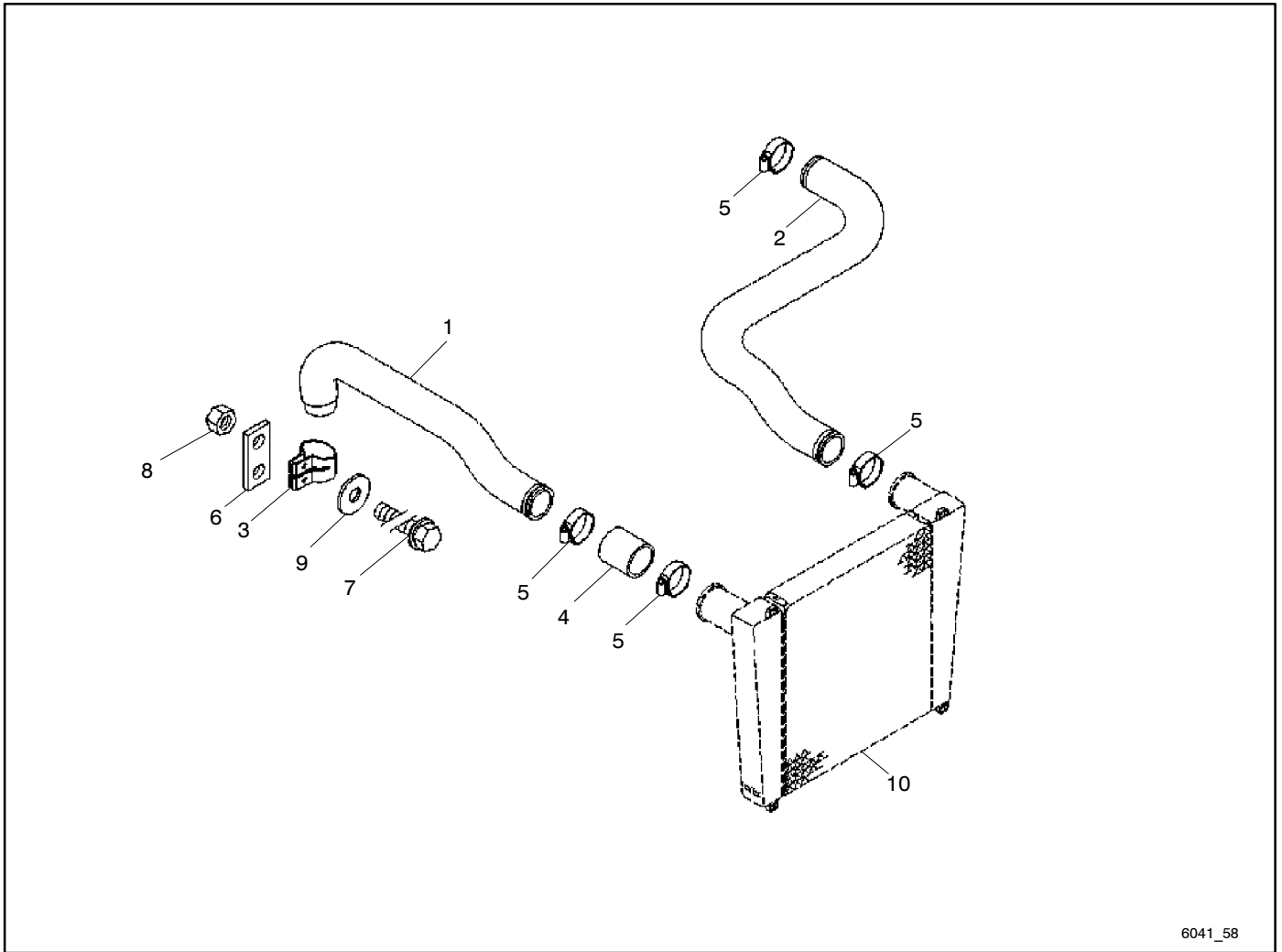


6041_56

Item	Part Number	Description	Quantity
			Variation Number
			1
1	*	Hexagon bolt	1
2	GM12776	Hexagon bolt	1
3	GM13109	Shutdown device	1
3	GM12747	O-seal	1

* Contact factory Service Parts Department

Group 58: Intercooler

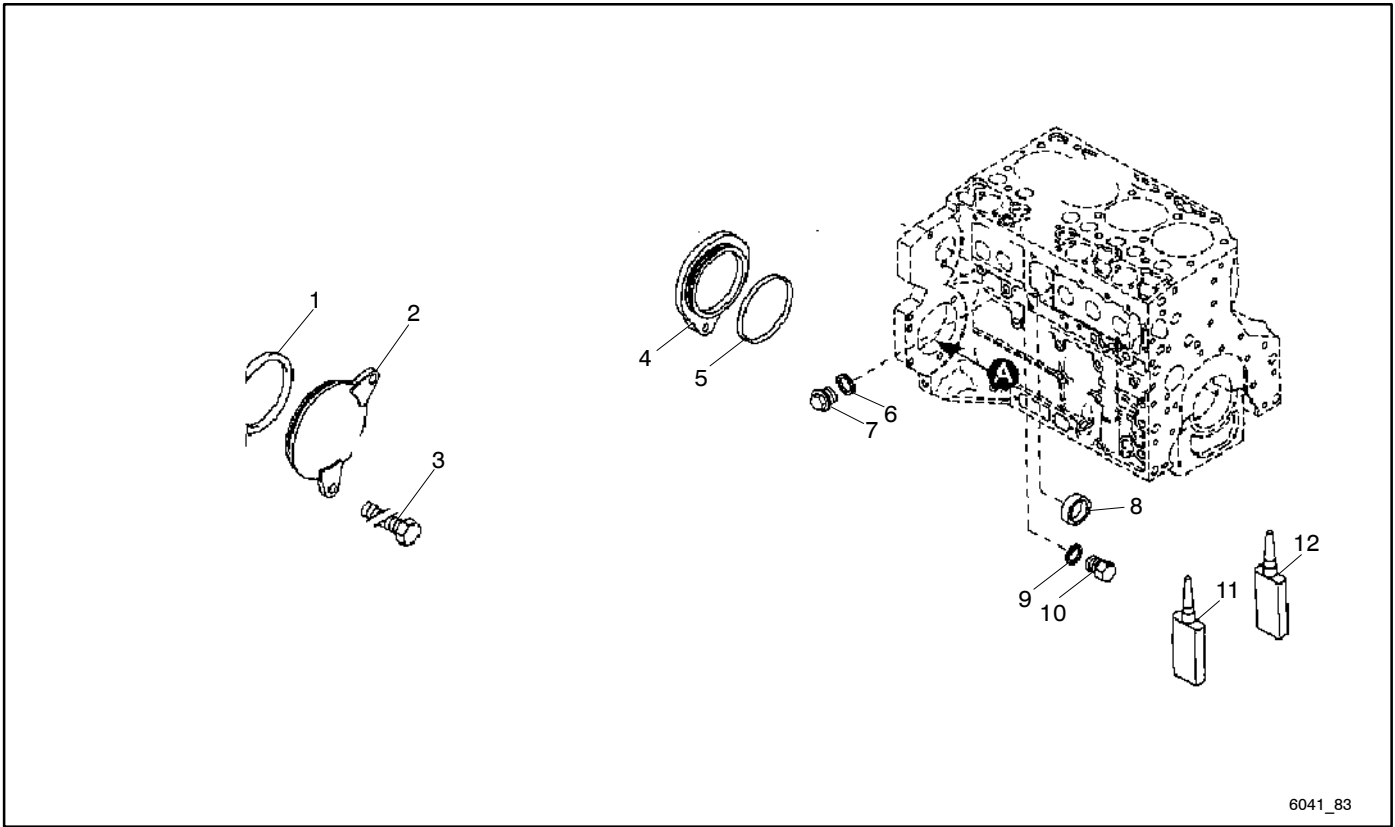


6041_58

Item	Part Number	Description	Quantity			
			Variation Number			
			1	2	3	4
1	*	Charge air pipe				1
1	*	Charge air pipe		1		
2	*	Charge air pipe				1
2	*	Charge air pipe		1		
3	*	Pipe clamp		1		
3	*	Pipe clamp				1
4	*	Rubber sleeve		1		
4	*	Rubber sleeve				1
5	*	Hose clip				2
5	GM12711	Hose clip		4		
6	*	Retainer		1		1
7	*	Hexagon bolt				2
7	GM12775	Hexagon bolt		2		
8	GM12680	Hexagon nut		2		
8	*	Hexagon nut				2
9	*	Plain washer		2		2
10	GM13120	Charge air cooler		1		
10	GM13126	Charge air cooler				1

* Contact factory Service Parts Department

Group 83: Blanking Parts

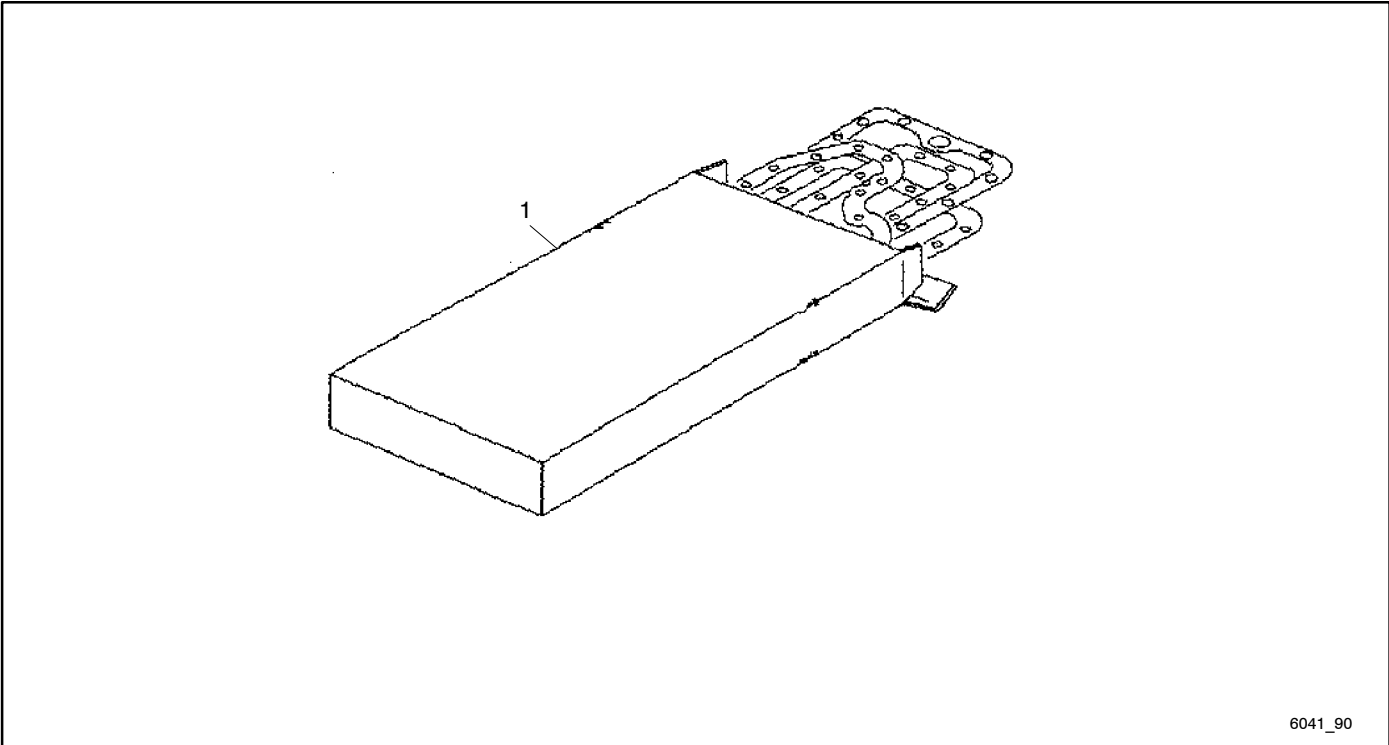


6041_83

Item	Part Number	Description	Quantity
			Variation Number
1	GM12789	O-seal	1
2	*	Cover	1
3	*	Hexagon bolt	1
4	*	Cover	1
5	GM12702	O-seal	1
6	GM12662	Sealing ring	1
7	*	Screw plug	1
8	GM12708	Core hole plug	1
9	GM12659	Sealing ring	1
9	GM12659	Sealing ring	2
10	*	Screw plug	1
10	*	Screw plug	2
11	*	Safety/locking agent	1
12	GM12641	Safety/locking agent	1

* Contact factory Service Parts Department

Group 90: Gasket Sets



6041_90

Item	Part Number	Description	Quantity		
			Variation Number		
			1	2	3
1	GM12891	Gasket set		1	
1	GM12892	Gasket set	1		

