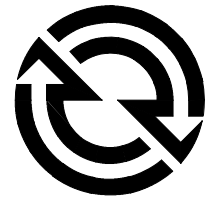


Engine Parts

DETROIT DIESEL



Diesel Engine

Generator Model:

400 kW

Engine Series:

60

Engine Model:

6063HK35

GENERAL INFORMATION

This customized parts catalog contains information specific to the customer serial number. All engine components in this catalog are divided into major groups of functionally related parts. A listing of the groups and their sub-groups appears under "Group Nomenclature" of this section.

The Alphabetical Index is particularly helpful when only a part name is known and the group can not readily be determined. Parts are listed alphabetically by noun name, followed by a description of the application of the part and the final group location.

Unlike the normal parts catalog this book does not contain types. The listing of parts is separated only by a group identification (e.g. 1.1000 for cylinder blocks). Components of major assemblies will follow the assembly. The order in which parts are listed is the same as the normal parts catalog.

Also included in the last pages of this catalog is a listing of various supplies required to maintain your engine.

The data in this publication is based on information known to Detroit Diesel at the time of printing. While every care and effort has been taken to ensure the accuracy of all information, engine modifications or subsequent engineering changes or enhancements may cause certain data to be superseded or rendered obsolete. Detroit Diesel reserves the right to make changes to this catalog at any time without notice.

If additional assistance is needed please contact your authorized Detroit Diesel service outlet.

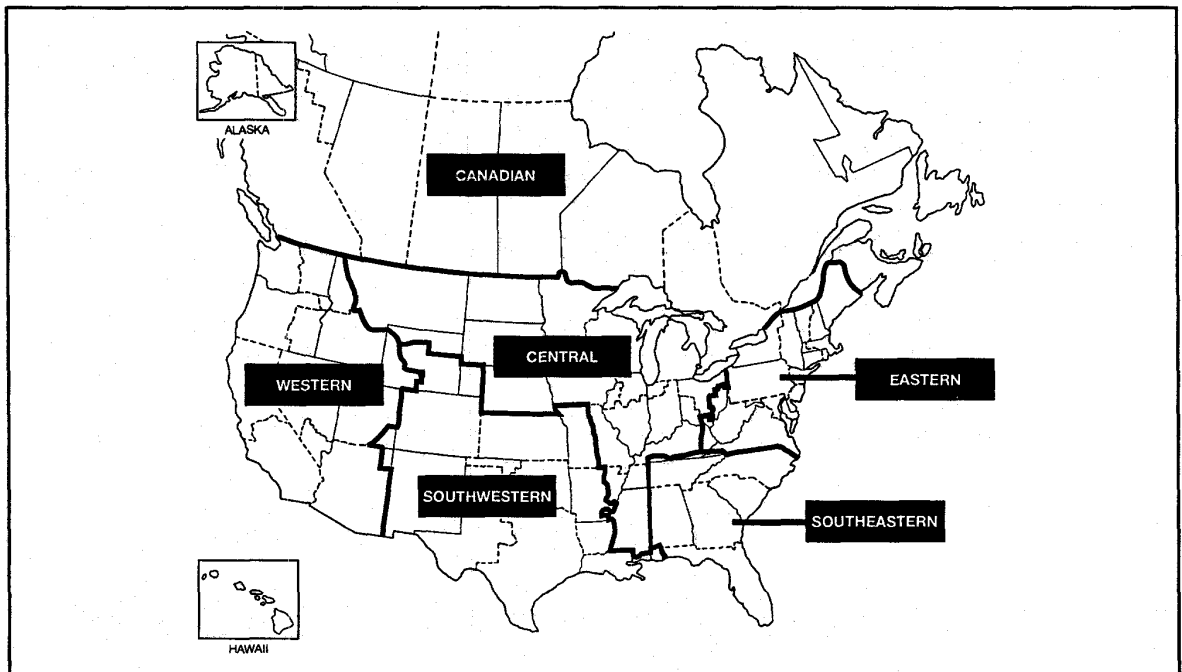
IMPORTANT ENGINE INFORMATION

Your engine serial number should be kept readily available. It can be used to identify your model as well as ALL service parts including kits, sets, warranty information and extended coverage available.

CUSTOMER ASSISTANCE

The satisfaction and goodwill of the owners of Detroit Diesel engines are of primary concern to Detroit Diesel Corporation and its distributor/dealer organizations.

As the owner of A Detroit Diesel Product you have a complete network of over 2,000 Detroit Diesel service outlets in the U.S. and Canada, plus many outlets worldwide that are prepared to meet your parts and service needs:



EASTERN REGION

Long Branch, New Jersey
187 Monmouth Park Highway
West Long Branch, NJ 07764
Phone: (732) 222-1888
Fax: (732) 222-3411

SOUTHEASTERN REGION

Jacksonville, Florida
5111 Bowden Road
Jacksonville, FL 32216
Phone: (904) 448-8833
Fax: (904) 448-2444

CENTRAL REGION

Detroit, Michigan
13400 Outer Drive, West
Detroit, MI 48239-4001
Phone: (313) 592-5990
Fax: (734) 762-1032

SOUTHWESTERN REGION

Dallas, Texas
2711 LBJ Freeway
Suite 1036
Dallas, TX 75234
Phone: (972) 247-4313
Fax: (972) 247-4316

WESTERN REGION

Downey, California
10645 Studebaker Road
Downey, CA 90241
Phone: (562) 929-7016
Fax: (562) 864-0502

CANADIAN REGION

London, Ontario
Detroit Diesel of Canada Ltd.
150 Dufferin Ave., Suite 701
London, ON N6A 5N6
Phone: (519) 661-0149
Fax: (519) 661-0171

LATIN AMERICAN REGION

Miami, Florida
2277 N.W. 14th Street
Miami, FL 33125-0068
Phone: (305) 637-1555
Fax: (305) 637-1580

ASIAN REGION

Singapore
No. 1 Benoi Place
Singapore 629923
Phone: (65) 865-1911
Fax: (65) 861-1618

PACIFIC REGION

Australia
47 First Street
Black Rock, Victoria 3193
Phone: (61) 9589-0484
Fax: (61) 9589-6858

EUROPE, MIDDLE EAST, AFRICA (EMA) REGION

The Netherlands
Ridderpoort 9
P.O. Box 4161
2980 GD Ridderkerk
The Netherlands
Phone: (31) 1804-10208
Fax: (31) 1804-62062

MEXICO

Detroit Diesel-Allison de Mexico
Av. Santa Rosa 58
Col. Ampliacion Norte
San Juan Ixtacala, Tlanepantla
C.P. 54160, Edo do Mexico
Phone: (525) 333-1802
Fax: (525) 333-1870

DETROIT DIESEL

Custom Parts Catalog

ENGINE DESCRIPTION

SERIAL NUMBER: 06R0514156

SERIES NUMBER: 60

MODEL NUMBER: 6063HK35

1.0000 ENGINE (LESS MAJOR ASSEMBLIES)

- 1.1000 CYLINDER BLOCK
- 1.1000A ... AIR BOX DRAINS
- 1.2000 CYLINDER HEAD
- 1.2000A ... ENGINE, LIFTER BRACKET
- 1.3000 CRANKSHAFT, OIL SEALS AND STABILIZERS
- 1.3000A ... CRANKSHAFT FRONT COVER
- 1.3000B ... VIBRATION DAMPER
- 1.3000C ... CRANKSHAFT PULLEY
- 1.3000D ... CRANKSHAFT PULLEY BELT
- 1.4000A ... FLYWHEEL
- 1.5000A ... FLYWHEEL HOUSING
- 1.5000B ... FLYWHEEL HOUSING ADAPTOR
- 1.6000 CONNECTING ROD AND PISTON
- 1.7000 CAMSHAFT AND GEAR TRAIN
- 1.7000A ... BALANCE WEIGHT COVER
- 1.7000B ... ACCESSORY DRIVE
- 1.8000 VALVE AND INJECTOR OPERATING MECHANISM
- 1.8000A ... ROCKER COVER

2.0000 FUEL SYSTEM

- 2.1000A ... FUEL INJECTOR
- 2.1000B ... INJECTOR CONTROLS ELECTRONIC
- 2.2000 FUEL PUMP
- 2.3000A ... FUEL FILTER AND STRAINER
- 2.4000A ... ALTERNATE FUEL SYSTEM
- 2.5000A ... FUEL LINES AND FUEL COOLER
- 2.7000A ...
- 2.9000 INJECTOR CONTROLS
- 2.9000A ... THROTTLE CONTROLS

3.0000 AIR SYSTEM

- 3.1000A ... AIR CLEANER AND/OR ADAPTOR
- 3.3000A ... AIR INLET HOUSING
- 3.3000C ... AIR INTAKE MANIFOLD
- 3.4000 BLOWER AND DRIVE
- 3.4000A ... BLOWER DRIVE SHAFT
- 3.5000A ... TURBOCHARGER
- 3.7000 INTERCOOLER/AFTERCOOLER

4.0000 LUBRICATING SYSTEM

- 4.1000A ... OIL PUMP
- 4.1000B ... OIL DISTRIBUTION SYSTEM
- 4.1000C ... OIL PRESSURE REGULATOR
- 4.2000A ... OIL FILTER
- 4.3000A ... OIL FILTER LINES
- 4.4000A ... OIL COOLER
- 4.5000A ... OIL FILLER
- 4.6000A ... DIPSTICK
- 4.7000A ... OIL PAN
- 4.8000A ... VENTILATING SYSTEM

5.0000 COOLING SYSTEM

- 5.1000 FRESH WATER PUMP
- 5.1000A ... FRESH WATER PUMP COVER
- 5.2000B ... THERMOSTAT
- 5.2000C ... WATER BYPASS TUBE
- 5.3000B ... WATER CONNECTIONS
- 5.4000A ... FAN
- 5.5000A ... HEAT EXCHANGER OR KEEL COOLING
- 5.6000A ... RAW WATER PUMP
- 5.7000A ... WATER FILTER

6.0000 EXHAUST SYSTEM

- 6.1000A ... EXHAUST MANIFOLD AND/OR CONNECTIONS
- 6.2000A ... EXHAUST MUFFLER AND/OR CONNECTIONS
- 6.60001 ...

7.0000 ELECTRICAL INSTRUMENTS

- 7.1000A ... BATTERY CHARGING GENERATOR
- 7.3000A ... STARTING MOTOR
- 7.4000B ... TACHOMETER DRIVE
- 7.7000B ... THROTTLE AND GEAR CONTROL SYSTEM ELECTRONIC
- 7.7000C ... CRT AND LCD DISPLAY SYSTEM ELECTRONIC
- 7.8000C ... SPARK PLUG, IGNITION COIL, WIRING HARNESS

8.0000 POWER TAKE-OFF

- 8.1000A ... POWER TAKE-OFF ASSY.

9.0000 TRANSMISSION AND PROPULSION

- 9.1000A ... MARINE GEAR

11.0000 ENGINE MOUNTING

- 11.1000A .. ENGINE MOUNTING BASE

12.0000 MISCELLANEOUS

- 12.4000A .. AIR COMPRESSOR
- 12.5000A .. HYDRAULIC PUMP
- 12.6000B .. AIR STARTER
- 12.6000C .. COLD WEATHER STARTING AIR KIT
- 12.7000A .. APPEARANCE PACKAGE PARTS
- 12.8000A .. SUPPLIES/MAINTENANCE PRODUCTS
- 12.8000B .. FABRICATION MATERIAL
- 12.8000C .. SERVICE KITS AND SETS

PART NAME	GROUP NO.	PART NAME	GROUP NO.
A			
ACTUATOR ASSEMBLY, GEAR	7. 7460B	BOLT, EXHAUST MANIFOLD TO HEAD	6. 1025A
ACTUATOR ASSY., NATURAL GAS	2. 9395A	BOLT, ROCKER COVER	1. 8460A
ADAPTOR KIT, POWER TAKE OFF	1. 3281C	BOOT AND SPRING IGNITION	7. 8735C
ADAPTOR, DIPSTICK	4. 6030A	BRACKET GAS VALVE MOUNTING	2. 4145A
ADAPTOR, FLYWHEEL HOUSING	1. 5130B	BRACKET IGNITION COIL	7. 8705C
ADAPTOR, FUEL PUMP DRIVE	2. 2260	BRACKET OIL FILLER TUBE CLAMP	4. 5004A
ADAPTOR, HYDRAULIC PUMP	12.5020A	BRACKET, ACTUATOR & THROTTLE BODY	2. 9396A
ADAPTOR, OIL COOLER	4. 4110A	BRACKET, ACTUATOR MOUNTING	2. 1780B
ADAPTOR, OIL FILTER COVER	4. 2291A	BRACKET, AIR COMPRESSOR MOUNTING	12.4010A
ADAPTOR, TACHOMETER DRIVE CABLE	7. 4420B	BRACKET, BOAT BUILDER INTERFACE MODULE	2. 1514B
ADAPTOR, TACHOMETER MOUNTING	12.8325A	BRACKET, BREATHER EXTENSION PIPE	4. 8183A
ADAPTOR, WATER PUMP DRIVE	3. 7005	BRACKET, ELECTRONIC DISTRIBUTOR UNIT	2. 1530B
ADDITIVE, CURING (THREADLOCK & RTV)	12.8252A	BRACKET, ENGINE LIFTER - REAR	1. 2080A
ADDITIVES, DIESEL FUEL	12.8280A	BRACKET, ENGINE LIFTER-FRONT	1. 2070A
ADDITIVES, SUPPLEMENTAL COOLANT	12.8260A	BRACKET, FAN BELT TENSIONER ASSY.	5. 4342A
AIR INTAKE MANIFOLD	3. 3801C	BRACKET, FUEL FILTER MOUNTING	2. 3530A
AIR STARTER ASSY.	12.6080B	BRACKET, GENERATOR ADJUSTING STRAP	7. 1582A
AIR STRAINER AND LUBRICATION ASSY., AIR STARTER	12.6120B	BRACKET, GENERATOR MOUNTING	7. 1595A
APPEARANCE PACKAGE PARTS - SECTION 1	12.7001A	BRACKET, OIL COOLER HOUSING SUPPORT	4. 4100A
APPEARANCE PACKAGE PARTS - SECTION 3	12.7003A	BRACKET, OIL PUMP SCREEN SUPPORT	4. 1540B
APPEARANCE PACKAGE PARTS - SECTION 5	12.7005A	BRACKET, REVERSE GEAR MOUNTING	9. 1011A
ARM ASSY., EXHAUST VALVE ROCKER	1. 8060	BRACKET, SNEF MODULE MOUNTING	2. 1656B
ARM ASSY., INJECTOR ROCKER	1. 8080	BRACKET, STARTING MOTOR SUPPORT	7. 3007A
ARM ASSY., INTAKE VALVE ROCKER	1. 8075	BRACKET, WATER FILTER MOUNTING	5. 7080A
B			
BALL AND SEAT ASSY., INJECTOR ROCKER ARM	1. 8090	BUSHING, FAN BELT IDLER PULLEY SUPPORT	5. 4348A
BEARING, ACCESSORY DRIVE	1. 7655B	BUSHING, INJECTOR ROCKER ARM	1. 8110
BEARING, AIR COMPRESSOR DRIVE SHAFT	12.4048A	BUSHING, OIL PUMP BODY	4. 1050A
BEARING, CAMSHAFT	1. 7040	C	
BEARING, CLUTCH PILOT	1. 4040A	CAMSHAFT ASSY.	1. 7001
BEARING, FAN SPINDLE	5. 4111A	CAP, CRANKSHAFT MAIN BEARING	1. 3110
BEARING, FRESH WATER PUMP	3. 7220	CAP, CAMSHAFT BEARING	1. 7042
BEARING, FUEL PUMP	2. 2060	CAP, OIL FILLER	4. 5010A
BEARING, IDLER GEAR	1. 7225	CAPPLUG R/C S60	1. 8043A
BEARING, PISTON PIN.	1. 6142	CHAIN, OIL FILLER CAP	4. 5030A
BELT, CRANKSHAFT PULLEY DRIVE	1. 3320D	CLAMP, AIR INLET PIPE HOSE	3. 1280A
BELT, GENERATOR DRIVE	7. 1575A	CLAMP, BREATHER TUBE	4. 8039A
BLADE, FAN HIGH LOW AND CRANKSHAFT MOUNTED	5. 4010A	CLAMP, INJECTOR	2. 1270A
BLOCK, CYLINDER	1. 1001	CLAMP, WATER FILTER INLET HOSE	5. 7095A
BLOCK, FUEL SYSTEM JUNCTION	2. 5250A	CLEANER, COOLANT SYSTEM	12.8270A
BODY, FRESH WATER PUMP	3. 7190	CLIP, ACOUSTICAL	1. 7560A
BODY, OIL PRESSURE REGULATOR AND RELIEF	4. 1680C	CLIP, AIR COMPRESSOR WATER TUBE	12.4095A
BODY, OIL PUMP	4. 1040A	CLIP, BREATHER TUBE	4. 8040A
BOLT, CAMSHAFT BEARING CAP	1. 7046	CLIP, COLD PLATE TO FILTER HOSE	2. 5121A
BOLT, CRANKSHAFT MAIN BEARING CAP	1. 3140	CLIP, CYLINDER HEAD INLET	2. 5180A
		CLIP, DIPSTICK	4. 6040A
		CLIP, FLEXIBLE HOSE	12.8554B
		CLIP, FUEL DRAIN	2. 5220A
		CLIP, OIL FILTER LINE	4. 3045A

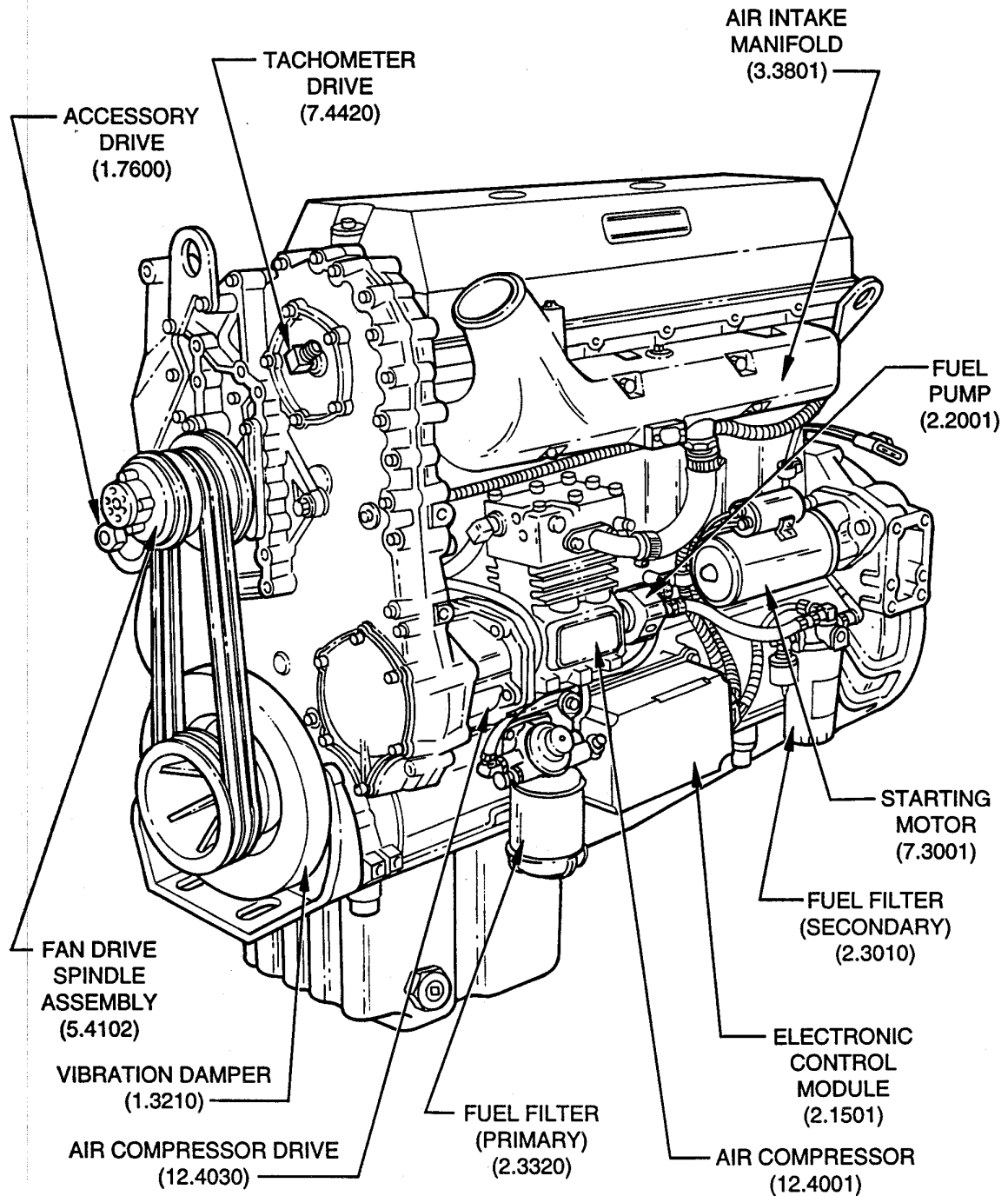
PART NAME	GROUP NO.	PART NAME	GROUP NO.
CLIP, STRAINER TO FUEL PUMP	2. 5070A	DRIVE GEAR, AIR COMPRESSOR DRIVE ASSY.	12.4072A
CLIP, TURBOCHARGER OIL RETURN TUBE	3. 5507A		
CLIP, TURBOCHARGER OIL SUPPLY TUBE	3. 5502A	E	
CLIP, WATER BYPASS TUBE	5. 2190C	ELBOW, TURBOCHARGER AIR INLET	3. 1259A
CLIP, WATER PUMP TO OIL COOLER TUBE	5. 3405B	ELEMENT, FUEL FILTER	2. 3320A
CLUTCH ASSY., FAN	5. 4112A	ELEMENT, FUEL STRAINER	2. 3010A
COIL IGNITION	7. 8710C	ELEMENT, OIL FILTER	4. 2250A
COLD WEATHER STARTING AID KIT	12.6301C	ELEMENT, WATER FILTER	5. 7020A
COMPRESSOR ASSY., AIR	12.4001A		
CONNECTING ROD ASSY.	1. 6001	F	
CONNECTION, FLEXIBLE EXHAUST	6. 2095A	FILTER ASSY., WATER	5. 7001A
CONNECTOR, DEUTCH	2. 1850B	FILTER UNIT, BREATHER	4. 8060A
CONNECTOR, PERIPHERAL	2. 1580B	FITTINGS, FLEXIBLE HOSE END	12.8552B
CORE, OIL COOLER ENGINE	4. 4001A	FLYWHEEL ASSY.	1. 4001A
COUPLING, AIR COMPRESSOR DRIVE	12.4050A	FORK, FUEL PUMP COUPLING	2. 2220
COUPLING, FUEL PUMP DRIVE	2. 2230	FUEL SYSTEM PRODUCTS	12.8006A
COUPLING, HYDRAULIC PUMP DRIVE	12.5010A	FUEL/AIR SEPARATOR	2. 3305A
COUPLING, WATER PUMP DRIVE	3. 7025		
COVER ASSY., ACCESSORY DRIVE ACOUSTICAL	1. 7540A	G	
COVER ASSY., GEAR CASE ACOUSTICAL	1. 7550A	GAGE, AIR PRESSURE	12.8315A
COVER ASSY., ROCKER	1. 8450A	GAGE, AMMETER	12.8310A
COVER, ACOUSTICAL	1. 7530A	GAGE, FUEL PRESSURE	12.8355A
COVER, AIR COMPRESSOR DRIVE ADAPTOR	12.4032A	GAGE, FUEL VOLUME	12.8350A
COVER, BALANCE WEIGHT	1. 7470A	GAGE, HOUR METER	12.8370A
COVER, CAMSHAFT BEARING CAP	1. 7037	GAGE, OIL PRESSURE - ENGINE	12.8330A
COVER, ENGINE FRONT ACCESSORY DRIVE	1. 3191A	GAGE, OIL PRESSURE - TRANSMISSION	12.8335A
COVER, FRESH WATER PUMP BODY	5. 1031	GAGE, OIL TEMPERATURE	12.8340A
COVER, FUEL FILTER	2. 3390A	GAGE, SPEEDOMETER	12.8385A
COVER, FUEL STRAINER	2. 3080A	GAGE, TACHOMETER	12.8320A
COVER, GEAR CASE	1. 3158A	GAGE, TURBO BOOST	12.8375A
COVER, INJECTOR HARNESS	2. 1702B	GAGE, VOLTMETER	12.8380A
COVER, OIL FILLER HOLE	4. 5070A	GAGE, WATER TEMPERATURE	12.8345A
COVER, OIL PUMP	4. 1220A	GASKET KIT, CYLINDER HEAD OVERHAUL	1. 2002
COVER, TACHOMETER DRIVE	7. 4445B	GASKET KIT, ENGINE OVERHAUL	1. 1002
COVER, THERMOSTAT HOUSING	5. 2120B	GASKET, ADAPTOR TO OIL COOLER HOUSING	4. 4112A
COVER, WATER FILTER	5. 7034A	GASKET, AIR COMPRESSOR DRIVE HOUSING	12.4039A
COVER, WATER PUMP	5. 1235A	GASKET, AIR COMPRESSOR MOUNTING.	12.4005A
COVER, WATER PUMP INLET	3. 7030	GASKET, AIR INTAKE MANIFOLD	3. 3803C
COVER, FUEL PUMP	2. 2030	GASKET, AIR STARTER MOUNTING	12.6085B
CRANKSHAFT ASSY.	1. 3001	GASKET, BALANCE WEIGHT COVER	1. 7480A
CYLINDER KIT	1. 6182	GASKET, BREATHER SHELL COVER	4. 8057A
		GASKET, CYLINDER HEAD COMPRESSION	1. 2010
D		GASKET, DIPSTICK	4. 6010A
DAMPER, VIBRATION	1. 3210B	GASKET, ENGINE FRONT ACCESSORY DRIVE	1. 3192A
DIPSTICK	4. 6001A	GASKET, EXHAUST MANIFOLD	6. 1010A
DISC, FLYWHEEL FLEXIBLE COUPLING	1. 4075A	GASKET, FRESH WATER PUMP	3. 7185
DRIVE ASSY., ACCESSORY	1. 7600B	GASKET, FRESH WATER PUMP BODY COVER	3. 7195
DRIVE ASSY., AIR COMPRESSOR	12.4030A	GASKET, FUEL PUMP COVER	2. 2040
DRIVE ASSY., FUEL PUMP	2. 2240		

PART NAME	GROUP NO.	PART NAME	GROUP NO.
GASKET, FUEL PUMP TO ENGINE OR DRIVE ASSEMBLY	2. 2007	HEAD ASSY., CYLINDER	1. 2001
GASKET, FUEL PUMP VALVE PLUG	2. 2180	HEAT SHIELD, EXHAUST MANIFOLD	6. 1171A
GASKET, HOUSING ADAPTOR	3. 7012	HOSE ASSY., AIR VENT BLEEDER	2. 5530A
GASKET, HYDRAULIC PUMP	12.5005A	HOSE ASSY., PRO-CHEK INLET	2. 5510A
GASKET, OIL COOLER ADAPTOR TO BLOCK	4. 4115A	HOSE ASSY., PRO-CHEK OUTLET	2. 5520A
GASKET, OIL COOLER CORE-INNER	4. 4030A	HOSE ASSY.,AIR BALANCE LINE	2. 5535A
GASKET, OIL COOLER CORE-OUTER	4. 4040A	HOSE HUMP ADAPTOR TO INT TUBE	2. 4192A
GASKET, OIL COOLER HOUSING	4. 4055A	HOSE, COLD PLATE TO FILTER	2. 5116A
GASKET, OIL FILLER HOLE COVER	4. 5080A	HOSE, COLD PLATE TO FUEL FILTER	2. 5117A
GASKET, OIL FILLER TUBE ADAPTOR	4. 5007A	HOSE, FILTER TO CYLINDER HEAD	2. 5160A
GASKET, OIL PAN TO BLOCK	4. 7030A	HOSE, FLEXIBLE (BULK)	12.8550B
GASKET, OIL PRESSURE REGULATOR BODY	4. 1730C	HOSE, FUEL DRAIN	2. 5215A
GASKET, OIL PUMP INLET PIPE	4. 1520B	HOSE, FUEL PUMP INLET	2. 5060A
GASKET, OIL PUMP OUTLET PIPE	4. 1590B	HOSE, FUEL PUMP OUTLET TO COLD PLATE	2. 5115A
GASKET, ROCKER COVER	1. 8455A	HOSE, FUEL PUMP OUTLET TO FILTER	2. 5110A
GASKET, STARTING MOTOR	7. 3004A	HOSE, FUEL SUPPLY	2. 5009A
GASKET, TACHOMETER DRIVE COVER	7. 4447B	HOSE, GENERATOR VENT	7. 1012A
GASKET, TURBOCHARGER EXHAUST INLET CONNECTION	3. 5307A	HOSE, OIL FILTER	8. 1990A
GASKET, TURBOCHARGER OIL RETURN TUBE	3. 5506A	HOSE, WATER BYPASS TUBE	5. 2165C
GASKET, WATER PUMP COVER	5. 1236A	HOSE, WATER FILTER INLET	5. 7090A
GAUGE, AIR PRESSURE METRIC	12.6140B	HOSE, WATER FILTER OUTLET	5. 7100A
GEAR ASSY., ADJUSTABLE CAMSHAFT IDLER	1. 7221	HOSE, WATER PUMP TO OIL COOLER	5. 3401B
GEAR ASSY., HYDRAULIC MARINE	9. 1001A	HOUSING ASSY., FLYWHEEL	1. 5001A
GEAR ASSY., IDLER	1. 7220	HOUSING ASSY., GEAR CASE	1. 3156A
GEAR, ACCESSORY DRIVE SHAFT	1. 7642B	HOUSING, ACCESSORY DRIVE	1. 7627B
GEAR, CAMSHAFT AND BALANCE SHAFT	1. 7200	HOUSING, AIR COMPRESSOR DRIVE	12.4036A
GEAR, CRANKSHAFT TIMING	1. 3145	HOUSING, FAN DRIVE SPINDLE	5. 4103A
GEAR, FLYWHEEL RING	1. 4010A	HOUSING, OIL COOLER-ENGINE	4. 4050A
GEAR, FRESH WATER PUMP DRIVE	5. 1190	HOUSING, OIL TRANSFER COOLER-FILTER ADAPTOR	4. 4053A
GEAR, FUEL PUMP DRIVE	2. 2087	HOUSING, TURBOCHARGER TURBINE	3. 5003A
GEAR, FUEL PUMP DRIVEN	2. 2088	HUB, ADJUSTABLE IDLER GEAR	1. 7255
GEAR, HYDRAULIC PUMP DRIVE	12.5030A	HUB, AIR COMPRESSOR	12.4040A
GEAR, IDLER	1. 7222	HUB, CAMSHAFT GEAR	1. 7206
GEAR, OIL PUMP DRIVE	4. 1090A	HUB, CRANKSHAFT PULLEY	1. 3310C
GENERATOR ASSY.	7. 1001A	HUB, FLYWHEEL FLEXIBLE COUPLING	1. 4080A
GOVERNOR KIT, AIR COMPRESSOR	12.4305A	HUB, IDLER GEAR	1. 7250
GUIDE, DIPSTICK	4. 6020A	HUB, IDLER GEAR BEARING	1. 7228
GUIDE, EXHAUST VALVE	1. 8320		
H			
HAND CLEANERS	12.8070A	IDLER ASSY., GENERATOR DRIVE BELT	7. 1905A
HARNES ASSY., INJECTOR	1. 8050	IDLER, PULLEY FAN BELT WITH ADJUSTING ARM	5. 4325A
HARNES GROUND IGNITION	7. 8720C	IMPELLER, FRESH WATER PUMP	3. 7200
HARNES, ECM BOAT BUILDER INTERFACE MODULE	2. 1690B	INJECTOR ASSY.	2. 1001A
HARNES, ELECTRONIC DISTRIBUTOR UNIT TO INJECTOR	2. 1700B	INSERT, EXHAUST VALVE	1. 8330
HARNES, ENGINE SENSORS TO DISCONNECT	2. 1720B	INSTALLATION KIT, WATER FILTER	5. 7010A
		INSULATION BLANKET TURBOCHARGER	3. 5535A
		INSULATOR ASSY.,CRANKSHAFT PULLEY	1. 3311C
		INTERCOOLER ASSY.	3. 7001

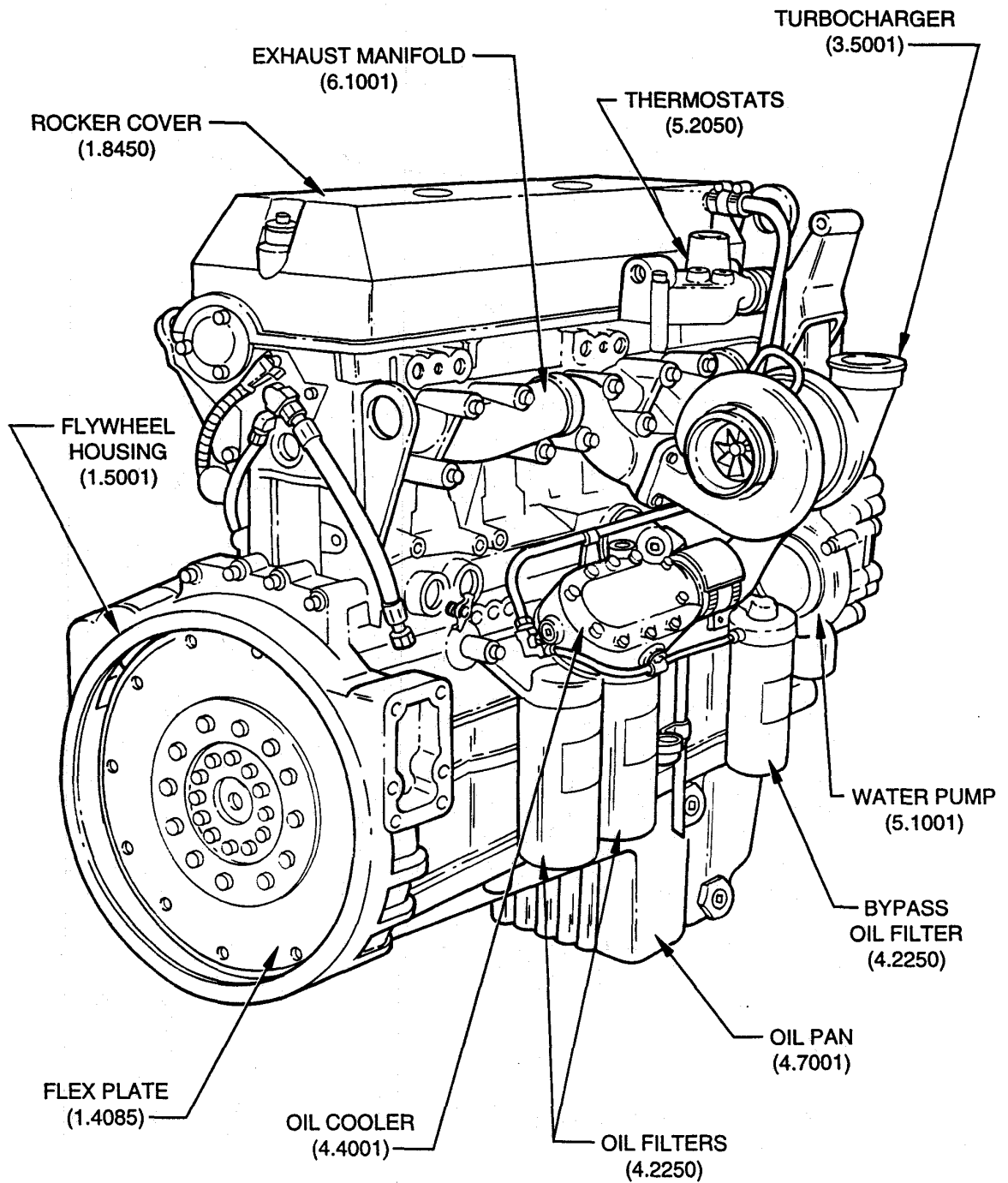
PART NAME	GROUP NO.	PART NAME	GROUP NO.
ISOLATOR, ROCKER COVER BOLT	1. 8461A		
J			
JACOBS BRAKE CYLINDER	1. 8070		
K			
KIT ENGINE OVERHAUL	1. 1006		
KIT FRESH WATER PUMP	3. 7180		
KIT WASTEGATE ACTUATOR	3. 5004A		
KIT, CONNECTING ROD BEARING AND GASKET	1. 6095		
KIT, COOLANT ANALYSIS	12.8290A		
KIT, COOLANT LEVEL SENSOR	2. 1670B		
KIT, CYLINDER LINER AND SEALS	1. 6181		
KIT, ENGINE ADAPTATION	1. 4074A		
KIT, EPROM STABILIZER	2. 1502B		
KIT, FILTER MAINTENANCE-FUEL/OIL	12.8005A		
KIT, FUEL ANALYSIS	12.8293A		
KIT, GENERATOR BRACKET TENSIONER & BELTS	7. 1940A		
KIT, JACOBS BRAKE FIELD	1. 8073		
KIT, LOWER ENGINE BEARINGS AND GASKETS	1. 3003		
KIT, OIL ANALYSIS	12.8291A		
KIT, OIL FILL/DRAIN	4. 5090A		
KIT, REPOWER CONNECTOR AND TERMINAL	2. 1755B		
KIT, TUBING	12.8390A		
KIT, TURBOCHARGER REPAIR	3. 5008A		
KITS, SERVICE (ALL)	12.8715C		
L			
LAMP, INSTRUMENT PANEL	12.8360A		
LCD DISPLAY ASSEMBLY	7. 7701C		
LEVER CONTROL, GEAR AND THROTTLE	7. 7430B		
LOCK, EXHAUST VALVE SPRING	1. 8370		
LOCKRING, ACCESSORY DRIVE	1. 7650B		
LUBRICATING COMPOUND THREAD	12.8110A		
M			
MANIFOLD, EXHAUST	6. 1001A		
MINDER, ENGINE/MASTER	2. 1890B		
MIXING UNIT	2. 4137A		
MODULE ASSY., ELECTRONIC CONTROL (ECM)	2. 1501B		
MODULE SPARK INTERFACE	7. 8725C		
MODULE, BOAT BUILDER INTERFACE	2. 1512B		
MODULE, CONTROL STATION INTERFACE	7. 7450B		
MODULE, ELECTRONIC DISTRIBUTOR UNIT (EDU)	2. 1510B		
MODULE, ENGINE ROOM INTERFACE	7. 7440B		
MODULE, SIGNAL NOISE ENHANCEMENT	2. 1655B		
MOTOR ASSY., STARTING	7. 3001A		
MOUNTING, ENGINE FRONT SUPPORT ELASTIC	11.1072A		
		O	
		OIL, ENGINE LUBRICATING	12.8025A
		OVERHAUL KIT, FUEL PUMP	2. 2004
		OVERHAUL KIT, OIL PUMP	4. 1003A
		P	
		PAINT, ENGINE TOUCH-UP	12.8001A
		PAN, OIL	4. 7001A
		PANEL, CONTROL	7. 7470B
		PANEL, INSTRUMENT	12.8300A
		PIN, ALIGNMENT	2. 2012
		PIN, PISTON	1. 6140
		PIPE ASSY, BREATHER	4. 8001A
		PIPE, OIL PUMP INLET	4. 1510B
		PIPE, OIL PUMP OUTLET	4. 1580B
		PISTON KIT	1. 6110
		PLATE ASSY., ELECTRONIC DISTRIBUTOR UNIT COLD	2. 1520B
		PLATE, CAM AND BALANCE SHAFT THRUST	1. 7070
		PLATE, FLYWHEEL FLEXIBLE COUPLING	1. 4085A
		PLUG SPARK	7. 8700C
		PLUG, BREATHER HOLE	4. 8043A
		PLUG, OIL COOLER BYPASS VALVE	4. 4160A
		PLUG, OIL PAN DRAIN	4. 7080A
		POWER TAKEOFF ASSY.	8. 1001A
		PROM AND CARRIER ASSY., ELECTRONIC CONTROL	2. 1505B
		PULLEY AND HUB ASSY., FAN	5. 4015A
		PULLEY, ACCESSORY DRIVE	1. 7605B
		PULLEY, CRANKSHAFT	1. 3280C
		PULLEY, GENERATOR	7. 1500A
		PUMP ASSY., FRESH WATER	5. 1001
		PUMP ASSY., FUEL	2. 2001
		PUMP ASSY., HYDRAULIC	12.5001A
		PUMP ASSY., OIL	4. 1001A
		R	
		RECONDITIONING KIT, FRESH WATER PUMP	5. 1002
		REGULATOR ASSY,NAT GAS	2. 4136A
		REGULATOR, OIL PRESSURE	4. 1670C
		RELIEF, VALVE OIL PRESSURE	4. 1671C
		REPAIR KIT, CONNECTOR AND SEAL HARNESS	2. 1758B
		REPAIR KIT, HARNESS TERMINAL	2. 1757B
		RETAINER, BREATHER PAD	4. 8065A
		RETAINER, CAMSHAFT AND ACCESSORY GEAR	1. 7240
		RETAINER, CLUTCH PILOT BEARING	1. 4045A
		RETAINER, FRESH WATER PUMP BEARING AND SEAL	5. 1071
		RETAINER, PISTON PIN	1. 6150

PART NAME	GROUP NO.	PART NAME	GROUP NO.
RING SET, PISTON	1. 6115	SHIELDING, FLEXIBLE HOSE	2. 5255A
RING, INJECTOR SEAL	2. 1040A	SHIM, OIL PUMP	4. 1030A
RING, PISTON COMPRESSION	1. 6120	SLEEVE, CRANKSHAFT OIL SEAL	1. 3167A
RING, PISTON OIL CONTROL	1. 6130	SLEEVE, CRANKSHAFT REAR OIL SEAL	1. 3066
ROD, PUSH	1. 8180	SOCKET, LAMP INSTRUMENT PANEL	12.8365A
ROTATOR, VALVE	1. 8365	SPACER, GENERATOR ADJUSTING STRAP	7. 1581A
S			
SCREW, ROCKER ARM ADJUSTING	1. 8135	SPACER, IDLER GEAR BEARING	1. 7226
SEAL, ACCESSORY DRIVE OIL	1. 7660B	SPACER, PULLEY	5. 4018A
SEAL, BALANCE WEIGHT COVER OIL	1. 7472A	SPACER, ROCKER SHAFT	1. 8173
SEAL, CAMSHAFT THRUST PLATE	1. 7075	SPACER, VIBRATION DAMPER	1. 3275B
SEAL, CRANKSHAFT OIL	1. 5004A	SPINDLE ASSY., FAN DRIVE	5. 4102A
SEAL, CRANKSHAFT OIL FRONT	1. 3166A	SPINDLE, CRANKSHAFT PULLEY	1. 3283C
SEAL, CRANKSHAFT OIL-FRONT	1. 3040	SPRING, EXHAUST VALVE	1. 8340
SEAL, CRANKSHAFT OIL-REAR	1. 3060	SPRING, OIL COOLER BYPASS VALVE	4. 4150A
SEAL, CYLINDER LINER	1. 6190	SPRING, OIL FILTER BYPASS VALVE	4. 2486A
SEAL, FAN SPINDLE	5. 4160A	SPRING, OIL PRESSURE REGULATOR	4. 1690C
SEAL, FRESH WATER PUMP	3. 7210	STAND, ENGINE SHIPPING	11.1045A
SEAL, FUEL PUMP OIL	2. 2070	STRAINER ASSY., SPIN-ON FUEL	2. 3006A
SEAL, THERMOSTAT	5. 2060B	STRAINER, AIR COMPRESSOR ON COMPRESSOR	12.4300A
SEALANT, RTV	12.8255A	STRAINER, OIL FILLER TUBE	4. 5020A
SEAT, EXHAUST VALVE SPRING	1. 8360	STRAP, GENERATOR ADJUSTING	7. 1580A
SEAT, OIL PRESSURE REGULATOR	4. 1701C	STRAP, WIRE ASSY. TO GENERATOR TERMINAL	7. 1633A
SENSOR ASSY., KNOCK	2. 1648B	STUD, EXHAUST MANIFOLD TO TURBOCHARGER	6. 1022A
SENSOR, AIR INTAKE	3. 3810C	SUPPORT ASSY., FAN BELT IDLER PULLEY	5. 4347A
SENSOR, AIR PRESSURE	2. 1650B	SUPPORT, BELT TENSIONER BRACKET	7. 1935A
SENSOR, AIR TEMPERATURE	2. 1647B	SUPPORT, ENGINE FRONT	11.1070A
SENSOR, COOLANT LEVEL	2. 1665B	SUPPORT, ENGINE REAR	11.1100A
SENSOR, MAG. CRANKSHAFT	2. 1620B	SUPPORT, FAN MOUNTING	5. 4025A
SENSOR, MAG. IDLER	2. 1610B	SUPPORT, GENERATOR BRACKET	7. 1596A
SENSOR, OIL OR FUEL PRESSURE	2. 1600B	SUPPORT, OIL FILTER MOUNTING.	4. 2470A
SENSOR, OIL, FUEL OR COOLANT TEMPERATURE	2. 1630B	SWITCH, EMERGENCY BACKUP	7. 7465B
SENSOR, OXYGEN	2. 1671B	T	
SEPARATOR, FUEL WATER	2. 3590A	TENSIONER ASSY., GENERATOR DRIVE	7. 1900A
SERVICE KIT, INJECTOR	2. 1002A	TENSIONER, BELT	5. 4340A
SETS, SERVICE (ALL)	12.8720C	TERMINAL RING TYPE	1. 8810
SHAFT AND GEAR ASSY., OIL PUMP DRIVE	4. 1065A	THERMOSTAT ASSY.	5. 2050B
SHAFT AND GEAR ASSY., OIL PUMP DRIVEN	4. 1075A	THERMOSTAT, LUBE OIL	4. 2288A
SHAFT ASSY., FRESH WATER PUMP	5. 1050	THREADLOCK & SEALER	12.8242A
SHAFT ASSY., ROCKER	1. 8160	TRIP RECORDER ANALYSIS CONTROL SYSTEM	2. 1900B
SHAFT, ACCESSORY DRIVE	1. 7640B	TUBE AIR INTAKE	2. 4171A
SHAFT, AIR COMPRESSOR DRIVE	12.4047A	TUBE EXTENSION (NATURAL GAS ENGINE)	1. 8453A
SHAFT, TACHOMETER DRIVE	7. 4435B	TUBE GAS GOVERNOR INLET	2. 4170A
SHELL, BREATHER	4. 8055A	TUBE, AIR COMPRESSOR BOOSTER	12.4375A
SHELL, CONNECTING ROD BEARING	1. 6100	TUBE, AIR COMPRESSOR LUBE OIL DRAIN	12.4070A
SHELL, CRANKSHAFT MAIN BEARING	1. 3090	TUBE, AIR COMPRESSOR LUBE OIL SUPPLY	12.4065A
SHIELD ASSY., ELECTRONIC UNIT DISTRIBUTOR		TUBE, AIR COMPRESSOR WATER INLET	12.4085A
HEAT	2. 1525B	TUBE, AIR COMPRESSOR WATER OUTLET	12.4090A
		TUBE, FUEL PUMP TO CYLINDER HEAD	2. 5101A

PART NAME	GROUP NO.	PART NAME	GROUP NO.
TUBE, GENERATOR OIL DRAIN	7. 1003A		
TUBE, GENERATOR OIL SUPPLY	7. 1004A		
TUBE, INTAKE ADAPTOR	2. 9397A		
TUBE, JUNCTION BLOCK TO COLD PLATE	2. 5167A		
TUBE, JUNCTION BLOCK TO CYLINDER HEAD	2. 5175A		
TUBE, OIL FILLER	4. 5001A		
TUBE, OIL FILTER INLET	4. 3001A		
TUBE, OIL FILTER OUTLET	4. 3020A		
TUBE, STRAINER TO FUEL PUMP	2. 5050A		
TUBE, TURBOCHARGER OIL RETURN	3. 5505A		
TUBE, TURBOCHARGER OIL SUPPLY	3. 5500A		
TUBE, WATER BYPASS	5. 2160C		
TUBE, WATER PUMP TO OIL COOLER	5. 3400B		
TURBOCHARGER	3. 5001A		
		V	
		VALVE ASSY., FUEL PUMP	2. 2130
		VALVE, EXHAUST	1. 8310
		VALVE, FUEL DRAIN CHECK	2. 5209A
		VALVE, FUEL SUPPLY CHECK	2. 5006A
		VALVE, FUEL SYSTEM SHUTOFF	2. 5260A
		VALVE, INTAKE	1. 8315
		VALVE, OIL CONTROL (THERMATIC)	4. 4066A
		VALVE, OIL COOLER BYPASS	4. 4140A
		VALVE, OIL FILTER BYPASS	4. 2485A
		VALVE, OIL PRESSURE REGULATOR	4. 1700C
		W	
		WASHER, CRANKSHAFT MAIN BEARING THRUST	1. 3100
		WIRE SPARK PLUG	7. 8715C



TYPICAL SERIES 60 ENGINE



TYPICAL SERIES 60 ENGINE

DETROIT DIESEL
CUSTOM PARTS CATALOG 07/22/99
06R0514156

PART #	NAME AND DESCRIPTION	QUANTITY
1.1000 - CYLINDER BLOCK		
BLOCK, CYLINDER		
FOR COMPONENTS OF CYLINDER BLOCK ASSEMBLY REFER TO ASSEMBLY BREAKDOWN PAGE A1		
23522886	BLOCK ASSY., CYL. TLC FOR ARTICULATED STL	1
BLOCK, CYLINDER		
23506222	BOLT, M8 X 1.25 X 20 12 PT.	6
5139988	PLUG, CUP 1" DIA. STNLS.	2
5139991	PLUG, 1-1/2" CUP (1.1001)	5
5151272	PLUG, 11/32" SPECIAL (1.8160)	1
8922327	PLUG, 1/4" NPTF (12.9550)	2
8923916	PLUG, 1/2" PIPE (12.9550)	2
8924517	PLUG, 3/8"-18 SQ. SOC. VIBRA SEAL (12.9550)	3
8929124	BOLT, M20 X 178.0	14
8929125	WASHER, SPECIAL	14
8929276	CAP, MAIN BEARING (UNSLOTTED)	7
8929594	PLUG, 3/8"-18 DIA. PIPE EXT. HEX. SOC.	1
NOZZLE, PISTON COOLING		
23521375	NOZZLE ASSY., PSTN CLG ARTICULATED STL	6
23506222	BOLT, M8 X 1.25 X 20 12 PT.	6
23516104	PLUG PIPE 1/4-18 HEX HD STL CTD RED	1
8922327	PLUG, 1/4" NPTF (12.9550)	4
8929432	PLUG, WEEP HOLE (SPECIAL)	6
23509239	STUD. M12X1.75X34.0	1
8929015	DOWEL PIN, 16 MM., CIRCULAR (1.1001)	1
8929022	DOWEL PIN 16 MM., DIAMOND (1.1001)	2
8929152	PIN, DOWEL 20.0 MM CIRCULAR	1
8929153	PIN, DOWEL 20.0 MM DIAMOND	1
GASKET KIT, ENGINE OVERHAUL		
A GASKET KIT CONSISTS OF THE NECESSARY GASKETS FOR ONE COMPLETE ENGINE OVERHAUL.		
23512691	GASKET KIT W/SQUARE RING SEALS	AR
1.2000 - CYLINDER HEAD		
HEAD ASSY., CYLINDER		
FOR COMPONENTS OF CYLINDER HEAD ASSEMBLIES REFER TO ASSEMBLY BREAKDOWN PAGE A1.		
23523294	HEAD ASSY., 3 BOLT W/RACE TRACK DESIGN WITHOUT VALVES	1
HEAD ASSY., CYLINDER		
23511573	PLUG, 3/4" PIPE SQ. SOC. SCOTCHGRIP	1
23511574	PLUG, 1" PIPE SQ. SOC. SCOTCHGRIP	1
23513197	PLUG, 3/8"-18 PIPE SQ SOC COATED	2
5109157	PLUG, 1-1/4" CUP (5.5001)	11
5139991	PLUG, 1-1/2" CUP (1.1001)	2
8923847	PLUG, PIPE 1/4-18" NPTF	1
8923916	PLUG, 1/2" PIPE (12.9550)	2
8926993	PLUG, FUSE (1/4"-18 RECESSED SOC. HD.)	1
8929126	INSERT, (EXHAUST) (STD) (6.261MM-6.363MM)	12
8929127	INSERT, (INTAKE) (STD) (7.155MM-7.257MM)	12
8929625	INSERT, (INTAKE) (.010" U.S.) (6.901MM-7.003MM)	AR
8929626	INSERT, (INTAKE) (.020" U.S.) (6.647MM-6.749MM)	AR
8929627	INSERT, (INTAKE) (.030" U.S.) (6.393MM-6.495MM)	AR
8929628	INSERT, (EXHAUST) (.010" U.S.) (6.007MM-6.109MM)	AR
8929629	INSERT, (EXHAUST) (.020" U.S.) (5.753MM-5.855MM)	AR
8929630	INSERT, (EXHAUST) (.030 U.S.) (5.499MM-5.601MM)	AR
23518571	GUIDE	24
23522649	CAP, #1 CAMSHAFT BEARING FRT RACE TRACK SEAL	1
8929739	CAP, CAMSHAFT BEARING, REAR (IDENTIFICATION-NO. 7)	1
8929870	CAP, CAMSHAFT BEARING, INTERMEDIATE (1.7042)	4
8929871	CAP, CAMSHAFT BEARING, CENTER (IDENTIFICATION-NO.)	1
5138638	DOWEL, .626"X.37" HOLLOW (4.1040)	7
8929843	DOWEL, CAMSHAFT DRIVE (1.7004)	3
8929129	BOLT, M12 X 1.75 X 65	7
TUBE, INJECTOR HOLE		
23501580	TUBE KIT (INCLUDES SEAL RING IN 1.2046)	6
RING, INJECTOR HOLE TUBE SEAL		
23515470	SEAL RING INJ TUBE GREEN FLUOROCARBON	6
8929123	BOLT, M16 X 2 X 175 (12.9005)	38

DETROIT DIESEL
CUSTOM PARTS CATALOG 07/22/99
06R0514156

PART #	NAME AND DESCRIPTION	QUANTITY
1.2000 - CYLINDER HEAD		
8929328	WASHER, 16.8" X 25.8" (12.9190)	38
R23525566	HEAD ASSY., 3 BOLT THRUST PLATE W/RACE TRACK SEAL WITH "H" EXHAUST VALVES	AR
GASKET KIT, CYLINDER HEAD OVERHAUL		
GASKET KIT CONSISTS OF ALL GASKETS NECESSARY TO REPLACE ONE CYLINDER HEAD.		
23501572	GASKET KIT	AR
GASKET, CYLINDER HEAD COMPRESSION		
23522588	GASKET, CYLINDER HEAD	1
1.2000A - ENGINE, LIFTER BRACKET		
BRACKET, ENGINE LIFTER-FRONT		
8929754	BRACKET (ITEM 1)	1
11509530	BOLT, M14 X 2.0 X 40 MM	2
BRACKET, ENGINE LIFTER - REAR		
8929408	BRACKET (ITEM 2)	1
23518652	BRACKET ENG LFTR RR LB HD PLATED S60	1
11509528	BOLT, M12 X 1.75 X 30 MM	5
1.3000 - CRANKSHAFT, OIL SEALS AND STABILIZERS		
CRANKSHAFT ASSY.		
NEW CRANKSHAFTS FOR WIDER CONN ROD BEARINGS AND CONN ROD ASSYS. MUST BE USED TOGETHER TO ENSURE INTERCHANGEABILITY.		
23522887	CRANKSHAFT, 14.0L 168 STROKE	1
KIT, LOWER ENGINE BEARINGS AND GASKETS		
23519901	LOWER ENGINE BEARING AND GASKET KIT 43MM	AR
SEAL, CRANKSHAFT OIL-FRONT		
NOTE		
	SEAL (REFER TO 1.3166 IN 1.3000A)	AR
SEAL, CRANKSHAFT OIL-REAR		
NOTE		
	SEAL (REFER TO 1.5004 IN 1.5000A)	AR
SLEEVE, CRANKSHAFT REAR OIL SEAL		
NOTE		
	SLEEVE (REFER TO 1.5012 IN 1.5000A)	AR
SHELL, CRANKSHAFT MAIN BEARING		
A SHELL SET CONSISTS OF ONE UPPER AND ONE LOWER BEARING SHELL.		
8929670	SHELL SET, STANDARD (MAIN)	6
8929671	SHELL SET, .254MM UNDER SIZE (MAIN)	AR
8929672	SHELL SET, .508MM UNDER SIZE (MAIN)	AR
8929673	SHELL SET, .762MM UNDER SIZE (MAIN)	AR
8929680	SHELL SET, STANDARD (THRUST)	1
8929681	SHELL SET, .254MM UNDERSIZE (THRUST)	AR
8929682	SHELL SET, .508MM UNDERSIZE (THRUST)	AR
8929683	SHELL SET, .762MM UNDERSIZE (THRUST)	AR
WASHER, CRANKSHAFT MAIN BEARING THRUST		
8929085	WASHER, (UPPER THRUST ONLY)	2
8929697	WASHER, .127MM O.S.	AR
8929698	WASHER, .254MM O.S.	AR
CAP, CRANKSHAFT MAIN BEARING		
8929276	CAP, MAIN BEARING (UNSLOTTED)	7
BOLT, CRANKSHAFT MAIN BEARING CAP		
8929124	BOLT, M20 X 178.0	14
8929125	WASHER, SPECIAL	14
GEAR, CRANKSHAFT TIMING		
23513537	WHEEL, TIMING RING (2.3145)	1
8929497	GEAR, RH, 82T, 133.6MM I.D. 12.7L	1
8929808	KEY, .25"X1.375" (12.9350)	1

DETROIT DIESEL
CUSTOM PARTS CATALOG 07/22/99
06R0514156

PART #	NAME AND DESCRIPTION	QUANTITY
1.3000A - CRANKSHAFT FRONT COVER		
HOUSING ASSY., GEAR CASE		
23505875	HOUSING ASSY., REAR MOUNT WATER PUMP (INCLUDES 8929333 BOLTS & DOWEL PINS IN 1.3156)	1
8929760	SUPPORT (1.3160)	1
8929015	DOWEL PIN, 16 MM., CIRCULAR (1.1001)	1
8929022	DOWEL PIN 16 MM., DIAMOND (1.1001)	1
8929740	SEAL, RING .134X.074X.480 I.D.)	1
23505062	BOLT, M10 X 1.5 X 40 (12.9001)	9
11503454	BOLT, M10 X 1.5 X 20.0	2
11505299	BOLT, M10 X 1.5 X 30.0 MM	4
11513811	BOLT, M12 X 1.75 X 20 MM	1
181333	BOLT, 5/16"-24 X .625"	1
8929333	BOLT, M12 X 1.75 X 65 (SPECIAL)	3
5155596	WASHER, 21/64" SPECIAL COPPER (4.7120)	1
5180370	WASHER, .55" I.D. COPPER (7.4969)	1
COVER, GEAR CASE		
23505876	COVER, FRONT	1
11504986	BOLT, M8 X 1.25 X 14 MM	2
5141452	SEAL, RING (3.4143)	1
8924517	PLUG, 3/8"-18 SQ. SOC. VIBRA SEAL (12.9550)	1
11509523	BOLT, M10 X 1.5 X 55 MM	14
11509525	BOLT, M10 X 1.5 X 110 MM	4
23507422	GUARD, BOLT V18 DMPR & FRT CVR	1
SEAL, CRANKSHAFT OIL FRONT		
23518355	SEAL FRONT CR/SHAFT CR UNITIZED WARPAROUND	1
COVER, ENGINE FRONT ACCESSORY DRIVE		
23517382	COVER, ACSRY REAR 6 HOLE	1
8929099	COVER, FRONT ACCESSORY	2
11504822	BOLT, M8 X 1.25 X 30	11
GASKET, ENGINE FRONT ACCESSORY DRIVE		
8929299	GASKET, ACCESSORY FRONT	2
8929130	GASKET, UPPER RIGHT REAR & FRONT CAM ACCESS.	1
1.3000B - VIBRATION DAMPER		
DAMPER, VIBRATION		
23522891	DAMPER, VIBRATION CR/SHF	1
1.3000C - CRANKSHAFT PULLEY		
PULLEY, CRANKSHAFT		
8929077	PULLEY, 188.0MM O.D., 4 GROOVE (ITEM 3)	1
8929222	BOLT, 9/16"-18 X 2 1/2"	6
5133981	WASHER, 19/32" (1.1001)	6
1.4000A - FLYWHEEL		
FLYWHEEL ASSY.		
INCLUDES GEAR IN 1.4010. "C" INDICATES A CHAMFERED ASSY.		
23514751	FLYWHEEL ASSY, SAE1 TYPE 1, GMHD & 1.76	1
5100532	PLATE, SCUFF (BEARING RETAINER)	1
9410925	BOLT, 9/16"-18 X 2 1/4" (12.9001)	12
GEAR, FLYWHEEL RING		
5184773	GEAR, SAE #1, 118 TEETH, UNCHAMFERED	1
1.5000A - FLYWHEEL HOUSING		
HOUSING ASSY., FLYWHEEL		
23522639	HOUSING ASSY FLYWHEEL SAE #1	1
HOUSING ASSY., FLYWHEEL		
23511574	PLUG, 1" PIPE SQ. SOC. SCOTCHGRIP	1
23514442	PIPE PLUG 1 1/4 7/8 TPR SQ SOCHD	1
5106899	PLUG, 3/4"-16	1
23522327	BOLT M14 2.00 X 50.0 LG HEX HD	8

DETROIT DIESEL
CUSTOM PARTS CATALOG 07/22/99
06R0514156

PART #	NAME AND DESCRIPTION	QUANTITY
1.5000A - FLYWHEEL HOUSING		
23522329	BOLT M14 2.00 X 95.0 LG HEX HD	4
23522326	WASHER	12
SEAL, CRANKSHAFT OIL		
23519651	SEAL, REAR CR/SHF	1
1.6000 - CONNECTING ROD AND PISTON		
CONNECTING ROD ASSY.		
QUANTITIES SHOWN ARE PER CYLINDER. A CROSSHEAD ROD ASSY. INCLUDES A CAP. WHICH IS NOT SOLD SEPARATELY, AND ONLY THOSE ITEMS IN 1.6001.		
NEW CRANKSHAFTS FOR WIDER CONN ROD BEARINGS AND CONN ROD ASSYS. MUST BE USED TOGETHER TO ENSURE INTERCHANGEABILITY.		
23524956	ROD ASSY., CONN PLATED GROOVED BRASS BUSHIN	1
SHELL, CONNECTING ROD BEARING		
A SHELL SET CONSISTS OF ONE (1) UPPER AND ONE (1) LOWER BEARING SHELL.		
NEW CRANKSHAFTS FOR WIDER CONN ROD BEARINGS AND CONN ROD ASSYS. MUST BE USED TOGETHER TO ENSURE INTERCHANGEABILITY.		
23524857	SHELL SET, STD ARTICULATED 14L	1
PISTON KIT		
A PISTON KIT INCLUDES PISTON ASSY., 3 PC. BUSHING, SKIRT AND PIN IN 1.6140.		
QUANTITIES SHOWN ARE PER CYLINDER.		
23525738	KIT, DOME & SKIRT PSTN ASSY. ART STL 15:1	1
RING SET, PISTON		
RING SET CONSISTS OF SUFFICIENT RINGS FOR ONE (1) PISTON.		
23525573	RING SET	1
RING, PISTON COMPRESSION		
23522878	RING, TOP (3MM CHR FLSH 14L)	1
23522879	RING, COMP 14L	1
RING, PISTON OIL CONTROL		
23522880	RING, PSTN OIL CONT 14L	1
23522881	EXPANDER 14L	1
PIN, PISTON		
23522872	PIN, PISTON STL ARTICULATED 14L	1
RETAINER, PISTON PIN		
23521781	RETAINER, STEEL PISTON PIN	2
CYLINDER KIT		
A KIT INCLUDES ITEMS IN 1.6110, 1.6115, 1.6140 AND 1.6181.		
23525835	KIT, CYLINDER ART STL PSTN 15:1	AR
SEAL, CYLINDER LINER		
8929013	SEAL, CREVICE	1
1.7000 - CAMSHAFT AND GEAR TRAIN		
CAMSHAFT ASSY.		
A CAMSHAFT ASSY. INCLUDES DOWEL IN 1.7001.		
23524912	CAMSHAFT & DOWEL ASSY., 44N/92J/16E	1
8920172	DOWEL, CAMSHAFT (1.7200)	1
COVER, CAMSHAFT BEARING CAP		
23514716	COVER RR CAMSHF S60	1
11509511	BOLT, M8 X 1.25 X 20 MM	3
BEARING, CAMSHAFT		
A BEARING SET CONSISTS OF ONE UPPER AND ONE LOWER BEARING SHELL.		
8929690	BEARING SET (STD.)	7
8929691	BEARING SET, .254 MM O.S.	AR
8929692	BEARING SET, .508 MM O.S.	AR
8929693	BEARING SET, .762 MM O.S.	AR
CAP, CAMSHAFT BEARING		
23522649	CAP, #1 CAMSHAFT BEARING FRT RACE TRACK SEAL (USED WITH 23522975 RACE TRACK SEAL)	1

D E T R O I T D I E S E L
 CUSTOM PARTS CATALOG 07/22/99
 06R0514156

PART #	NAME AND DESCRIPTION	QUANTITY
1.7000 - CAMSHAFT AND GEAR TRAIN		
8929870	CAP, CAMSHAFT BEARING, INTERMEDIATE (1.7042)	4
8929871	CAP, CAMSHAFT BEARING, CENTER (IDENTIFICATION-NO.)	1
8929739	CAP, CAMSHAFT BEARING, REAR (IDENTIFICATION-NO. 7)	1
8929740	SEAL, RING .134X.074X.480 I.D.	1
5138638	DOWEL, .626"X.37" HOLLOW (4.1040)	7
* FIG. 1 OF 1.2000.		
BOLT, CAMSHAFT BEARING CAP		
8929129	BOLT, M12 X 1.75 X 65	7
PLATE, CAM AND BALANCE SHAFT THRUST		
23521892	PLATE, CAM THRUST 3 BOLT	1
11504822	BOLT, M8 X 1.25 X 30	3
SEAL, CAMSHAFT THRUST PLATE		
23521894	SEAL, CAM THRUST PLATE TO CYL HD 3 BOLT	1
8929318	SEAL (GEAR HOUSING)	1
GEAR, CAMSHAFT AND BALANCE SHAFT		
8929379	GEAR 111T	1
HUB, CAMSHAFT GEAR		
8929810	KEY, NON ROCK (12.9350)	1
8929492	HUB	1
23524882	BOLT, M20 X 1.50 X 100.0	1
GEAR ASSY., IDLER		
A GEAR AND HUB ASSY. IS SERVICED AS A COMPLETE ASSY. ONLY.		
23513559	GEAR AND HUB ASSY., BULL ACCSY. & CAMSHF DDEC III	1
8929448	BOLT, M12 X 1.75 X 35	4
GEAR ASSY., ADJUSTABLE CAMSHAFT IDLER		
8929322	GEAR ASSY. (INCLUDES BUSHING WHICH IS NOT SERVICED SEPARATELY)	1
HUB, ADJUSTABLE IDLER GEAR		
8929111	HUB	1
11509607	NUT, M12 X 1.75	3
8929336	PLATE, ADJUSTMENT	1
1.8000 - VALVE AND INJECTOR OPERATING MECHANISM		
HARNESS ASSY., INJECTOR		
23523556	HARNESS, OXYGEN SENSOR W/RESISTOR CAL	1
ARM ASSY., EXHAUST VALVE ROCKER		
ARM ASSY. INCLUDES BUSHINGS, PINS AND ROLLER ASSY. COMPONENTS NOT SERVICED SEPARATELY.		
R23523174	ARM & RLR ASSY. EXH RKR W/O OIL HOLE	6
9421740	PLUG, CUP 3/16" (12.9320)	12
ARM ASSY., INTAKE VALVE ROCKER		
ARM ASSY. INCLUDES BUSHINGS, PINS AND ROLLER ASSY. COMPONENTS NOT SERVICED SEPARATELY.		
R23520644	ARM & RLR ASSY., INT RKR W/O OIL HOLE	6
ARM ASSY., INJECTOR ROCKER		
ARM ASSY. INCLUDES BUSHINGS, PINS AND ROLLER ASSY. COMPONENTS NOT SERVICED SEPARATELY.		
R23513939	REMANUFACTURED 23513939	6
SCREW, ROCKER ARM ADJUSTING		
23505056	KIT, VLV. ADJ SCREW INJ & INTAKE ARMS (INCLUDES IT EMS IN 1.8135 MARKED "*" AT A QTY. OF 1)	AR
8929646	KIT, VLV ADJ. SCREW EXH ARMS (INCLUDES ITEMS IN 1. 8135 MARKED "=" AT A QTY. OF 1)	AR
23517283	BUTTON, VALVE S50/60	30
8929607	SCREW, W/3/16" INTERNAL SOCKET END	18
8929751	SCREW, W/9/32" EXTERNAL SOCKET END	12
23514371	NUT, 3/8"-24 HEX JAM	30
8929494	RETAINER (1.8090)	30

DETROIT DIESEL
CUSTOM PARTS CATALOG 07/22/99
06R0514156

PART #	NAME AND DESCRIPTION	QUANTITY
1.8000 - VALVE AND INJECTOR OPERATING MECHANISM		
SHAFT ASSY., ROCKER		
23513530	SHAFT ASSY., LUBRITED (INCLUDES PLUG)	2
23521734	STUD/SEAL ASSY.	2
23521111	SEAL	2
23522975	SEAL, RACETRACK FRT CAMSHAFT CAP	1
8929588	STUD, M12 X 1.75 X 123.0 (1.8170)	2
8929740	SEAL, RING .134X.074X.480 I.D.	1
9421745	PLUG, CUP 1/2" (12.9330)	2
8929587	BOLT, M12 X 1.75 X 110.0 (1.7046)	6
23500708	NUT, M12 X 1.75	2
SPACER, ROCKER SHAFT		
8929586	SPACER (01.8170)	8
VALVE, EXHAUST		
23507504	VALVE KIT (IDENTIFICATION-H) (INCLUDES SEAL IN 1.8320 AND LOCK IN 1.8370)	12
VALVE, INTAKE		
23501576	VALVE KIT (INCLUDES SEAL IN 1.8320 AND LOCK IN 1.8370)	12
GUIDE, EXHAUST VALVE		
23518571	GUIDE	24
23518572	GUIDE VALVE	AR
23523930	SEAL EXH VALVE STEM (4 VLV)	24
INSERT, EXHAUST VALVE		
8929127	INSERT, (INTAKE) (STD) (7.155MM-7.257MM)	12
8929625	INSERT, (INTAKE) (.010" U.S.) (6.901MM-7.003MM)	AR
8929626	INSERT, (INTAKE) (.020" U.S.) (6.647MM-6.749MM)	AR
8929627	INSERT, (INTAKE) (.030" U.S.) (6.393MM-6.495MM)	AR
8929126	INSERT, (EXHAUST) (STD) (6.261MM-6.363MM)	12
8929628	INSERT, (EXHAUST) (.010" U.S.) (6.007MM-6.109MM)	AR
8929629	INSERT, (EXHAUST) (.020" U.S.) (5.753MM-5.855MM)	AR
8929630	INSERT, (EXHAUST) (.030" U.S.) (5.499MM-5.601MM)	AR
SPRING, EXHAUST VALVE		
8929415	SPRING (YELLOW STRIPE)	24
SEAT, EXHAUST VALVE SPRING		
8929076	SEAT (2.2MM-2.4MM)	24
8929634	SEAT (2.45MM-2.65MM)	AR
8929635	SEAT (2.70MM-2.90MM)	AR
8929636	SEAT (2.95MM-3.15MM)	AR
ROTATOR, VALVE		
8929105	ROTATOR	24
LOCK, EXHAUST VALVE SPRING		
8929573	LOCK, KEY EXHAUST VALVE SPRING	48
1.8000A - ROCKER COVER		
COVER ASSY., ROCKER		
23522272	COVER ASSY., ROCKER 10BLT SMC VINYL	1
GASKET, ROCKER COVER		
23522269	GASKET, ROCKER COVER MOD SEAL	1
BOLT, ROCKER COVER		
23522271	SLEEVE ASSY., ROCKER COVER BOLT MOD SEAL	10

DETROIT DIESEL
CUSTOM PARTS CATALOG 07/22/99
06R0514156

PART #	NAME AND DESCRIPTION	QUANTITY
2.1000A - FUEL INJECTOR		
INJECTOR ASSY. 5237026	(R) INJECTOR ASSY., 9 HOLE 2.05 1/MIN 145 DEG	6
RING, INJECTOR SEAL FORMER STYLE EUI INJECTOR BODY USED 2-UPPER AND 2-LOWER SEAL RINGS. CURRENT STYLE EUI INJECTOR BODY USE 1-UPPER AND 2-LOWER SEAL RINGS.		
5234702	RING, SEAL UPPER	1
5234699	RING, SEAL LOWER	2
CLAMP, INJECTOR		
8929088	CLAMP	6
8929021	WASHER	6
8929393	BOLT, M10 X 1.5 X 70.0 (12.9001)	6
2.1000B - INJECTOR CONTROLS ELECTRONIC		
MODULE ASSY., ELECTRONIC CONTROL (ECM)		
R23519308	MODULE ELECT CONT MOD 12/24V 8 IN DDECIV	1
23512309	BOLT M8 1.25 SHOULDER 12 PT HD	4
23512307	ISOLATOR, ECM MOUNT	8
SENSOR, OIL OR FUEL PRESSURE		
8923847	PLUG, PIPE 1/4-18" NPTF	1
SENSOR, MAG. IDLER		
8929387	SENSOR (SRS) (INCLUDES 1-8928652 SEAL RING)	1
11504986	BOLT, M8 X 1.25 X 14 MM	1
SENSOR, MAG. CRANKSHAFT		
8929388	SENSOR (TRS) (INCLUDES 2-8928652 SEAL RINGS)	1
SENSOR, OIL, FUEL OR COOLANT TEMPERATURE		
23518092	SENSOR ASSY., OIL WATER FUEL & AIR TEMPERATURE	1
23515251	SENSOR ASSY., COOL TEMP 3/4 IN. BRS	1
SENSOR, AIR TEMPERATURE		
23515250	SENSOR ASSY., AIR TEMP PLSTC DDEC III	1
SENSOR, AIR PRESSURE		
23522322	SENSOR ASSY. AIR TURBO BOOST DDEC IV	1
5182977	RING, SEAL (3.3055)	1
23522719	BOLT M5 0.8 X 20.0 LG HEX HD	2
COVER, INJECTOR HARNESS		
8929508	COVER	1
HARNESS, ENGINE SENSORS TO DISCONNECT		
23522323	HARNESS ENG SENSOR DDEC IV	1
5101020	STRAP, NYLON (2.5255)	9
8929534	CLIP	1
11503454	BOLT, M10 X 1.5 X 20.0	1
11504986	BOLT, M8 X 1.25 X 14 MM	4
11509511	BOLT, M8 X 1.25 X 20 MM	2
TRIP RECORDER ANALYSIS CONTROL SYSTEM		
R23515448	REMANUFACTURED 23515448	AR
R23515649	REMANUFACTURED 23515649	AR
R23515668	PRO DRIVER PETERBILT FLUSH MT	AR
R23515669	PRO DRIVER KENWORTH FLUSH MT	AR
R23515670	PRO DRIVER FREIGHTLINER FLUSH MT	AR
R23515671	PRO DRIVER VOLVO FLUSH MT	AR
R23515672	PRO DRIVER FORD FLUSH MT	AR
R23516428	PRO DRIVER KENWORTH SURFACE MT	AR
23515448	PRO DRIVER DETROIT DIESEL FLUSH MT	AR
23515649	PRO DRIVER DETROIT DIESEL SURFACE MT	AR
2.2000 - FUEL PUMP		

DETROIT DIESEL
CUSTOM PARTS CATALOG 07/22/99
06R0514156

PART #	NAME AND DESCRIPTION	QUANTITY
2.2000 - FUEL PUMP		
PUMP ASSY., FUEL		
SEE ASSEMBLY BREAKDOWN PAGE A1.		
23507409	PUMP ASSY., L.H. (GEAR CASE DRVN)	1
BODY, FUEL PUMP		
23506553	PLUG, STL 1/8-27	1
23511956	KIT, STATOR	AR
23511961	STATOR, FUEL PUMP	1
PIN, ALIGNMENT		
23500694	PIN, ALIGNMENT	2
COVER, FUEL PUMP		
23506551	SCREW	8
23506552	PLUG 3/8-18 PLASTIC F/PUMP BARNES S60	2
23506561	PLUG	1
23511955	KIT, FUEL PUMP COVER	AR
23511957	COVER, FUEL PUMP	1
8923535	PLUG 1/8-27 PLSTC SHPG BARNES F/PMP	2
GASKET, FUEL PUMP COVER		
23506547	GASKET, GOLD	AR
23506548	GASKET, SILVER	AR
23516117	GASKET, BLUE	AR
23516118	GASKET, AMBER	AR
BEARING, FUEL PUMP		
8923526	BEARING, FUEL PUMP	4
SEAL, FUEL PUMP OIL		
23512243	SEAL, OIL SGL LIP	2
GEAR, FUEL PUMP DRIVE		
23511959	GEAR (.275)	2
23511963	KEY, FUEL PUMP DRV. GEAR	1
8923522	RING, GEAR RETAINING	2
GEAR, FUEL PUMP DRIVEN		
8923521	PIN, DRIVEN GEAR	1
8923522	RING, GEAR RETAINING	2
SHAFT, FUEL PUMP DRIVEN		
A SHAFT ASSY. INCLUDES GEAR NOT SOLD SEPARATELY.		
23511960	SHAFT	1
SHAFT, FUEL PUMP DRIVE		
A SHAFT ASSY. INCLUDES ITEMS IN 2.2093.		
23511958	SHAFT, DRIVE	1
VALVE ASSY., FUEL PUMP		
23506560	SPACER, RELIEF VALVE	1
23506563	KIT, RELIEF VALVE (CONTAINS VALVE, SPACER AND PIN)	AR
23506564	PIN, SHEAR RELIEF VALVE	1
8923528	VALVE, FUEL PUMP	1
SPRING, FUEL PUMP VALVE RETAINING		
23506557	SPRING, RELIEF VALVE	1
PLUG, FUEL PUMP VALVE		
23506555	CAP, RELIEF VALVE	1
GASKET, FUEL PUMP VALVE PLUG		
23506556	SEAL, RELIEF VALVE	1
HUB, FUEL PUMP DRIVE GEAR		
23511964	COUPLING, FUEL PUMP	1
R23507409	REMANUFACTURED 23507409	AR
8929832	ELBOW, 90 DEG. 3/8 INV FLD TUBE 3/8 PIPE (12.9480)	2
23506222	BOLT, M8 X 1.25 X 20 12 PT.	3
GASKET, FUEL PUMP TO ENGINE OR DRIVE ASSEMBLY		
5150193	GASKET (FUEL PUMP TO DRIVE ASSY.) (5.1010)	1
COUPLING, FUEL PUMP DRIVE		
8929479	COUPLING	1
DRIVE ASSY., FUEL PUMP		
SEE ASSEMBLY BREAKDOWN PAGE B1.		
8929253	SEAL, RING .139" X 4.609" I.D. (2.2280)	1
8929785	DRIVE ASSY.	1
DRIVE ASSY., FUEL PUMP		
23513205	ELBOW, 90 DEG. 3/8" FL TUBE 3/8" PIPE	1
8924175	ELBOW, 90 DEG. 3/8" STREET (12.9480)	1
COUPLING, FUEL PUMP DRIVE		
8929479	COUPLING	1

D E T R O I T D I E S E L
 CUSTOM PARTS CATALOG 07/22/99
 06R0514156

PART #	NAME AND DESCRIPTION	QUANTITY
2.2000 - FUEL PUMP		
	DRIVE ASSY., FUEL PUMP	
	ASSEMBLIES ARE SHOWN FOR COMPONENT REFERENCE ONLY.	
11504822	BOLT, M8 X 1.25 X 30	5
8929253	SEAL, RING .139" X 4.609" I.D. (2.2280)	1
GEAR, FUEL PUMP DRIVE		
8929786	GEAR, 15.875 MM I.D.	1
9411502	RING, RETAINING (2.7470)	1
ADAPTOR, FUEL PUMP DRIVE		
8929474	ADAPTOR FUEL PUMP BRG SUPT S60	1
HUB, FUEL PUMP DRIVE GEAR		
8929787	HUB, 15.875 MM I.D.	1
11504822	BOLT, M8 X 1.25 X 30	5
2.3000A - FUEL FILTER AND STRAINER		
ELEMENT, FUEL STRAINER		
23518481	FILTER, FUEL PRIMARY	1
COVER, FUEL STRAINER		
5148023	COVER	1
8924517	PLUG, 3/8"-18 SQ. SOC. VIBRA SEAL (12.9550)	3
11505299	BOLT, M10 X 1.5 X 30.0 MM	2
FUEL/AIR SEPARATOR		
23515444	PRO-CHEK FUEL/AIR SEPARATOR SIDE MT	AR
23513543	PRO-CHEK FUEL/AIR SEPARATOR REAR MT	AR
23513542	@ INSTALLATION KIT FOR PRO-CHEK SIDE MT	AR
@ INCLUDES HOSES AND HARDWARE NECESSARY TO RETROFIT EXISTING ENGINES.		
ELEMENT, FUEL FILTER		
23518482	FILTER, FUEL SECONDARY	1
COVER, FUEL FILTER		
23517075	VALVE ASSY., FUEL SHUTOFF	1
5148171	COVER	1
23518092	SENSOR ASSY., OIL WATER FUEL & AIR TEMPERATURE	1
11505299	BOLT, M10 X 1.5 X 30.0 MM	2
SEPARATOR, FUEL WATER		
23514047	PROCESSOR ASSY., FUEL PRO 380 12V HEAT	AR
23515125	PROCESSOR ASSY., FUEL PRO 380 NO HEAT	AR
23516638	PROCESSOR ASSY., FUEL PRO 380 24V HEAT	AR
23521528	KIT, ELEMENT & GROMMET W/SEAL RINGS 380/382	AR
23516639	KIT, FUEL PRO 380E NO HEAT W/O DIVERTER CAP (W/MOUNTING HARDWARE)	AR
23516640	KIT, FUEL PRO 380E 12V HEAT W/O DIVERTER CAP (W/MOUNTING HARDWARE)	AR
23516641	KIT, FUEL PRO 380E 24V HEAT W/O DIVERTER CAP (W/MOUNTING HARDWARE)	AR
2.5000A - FUEL LINES AND FUEL COOLER		
HOSE, FUEL PUMP INLET		
MBHH0165	HOSE ASSY., #8 X 16.5"L H&H	1
CLIP, STRAINER TO FUEL PUMP		
2362448	CLIP .688" DIA 3/8" BOLT CTD (12.8554)	1
HOSE, FUEL PUMP OUTLET TO FILTER		
BAHH0356	HOSE ASSY., #6 X 37.9 H&H	1
HOSE, FILTER TO CYLINDER HEAD		
MAHQ0237	HOSE ASSY., #6 X 23.7 H&P	1
23513205	ELBOW, 90 DEG. 3/8" FL TUBE 3/8" PIPE	1
8929725	ELBOW, .80" RESTRICTION, 3/8"PIPE X5/16" (2.5210)	1
CLIP, CYLINDER HEAD INLET		
2236474	CLIP, #10	1
11504986	BOLT, M8 X 1.25 X 14 MM	1
VALVE, FUEL DRAIN CHECK		

DETROIT DIESEL
CUSTOM PARTS CATALOG 07/22/99
06R0514156

PART #	NAME AND DESCRIPTION	QUANTITY
2.5000A - FUEL LINES AND FUEL COOLER 23516918	VALVE CHK FUEL 3/8 NPTF MALE	1
SHIELDING, FLEXIBLE HOSE 5101020	STRAP, NYLON (2.5255)	1

DETROIT DIESEL
CUSTOM PARTS CATALOG 07/22/99
06R0514156

PART #	NAME AND DESCRIPTION	QUANTITY
3.3000C - AIR INTAKE MANIFOLD		
AIR INTAKE MANIFOLD		
23517437	MANIFOLD AIR INT SETBACK 1/2 SC BOSS	1
11509526	BOLT, M10 X 1.5 X 130 MM	4
11509799	BOLT, M10 X 1.5 X 70 MM	2
23505051	BOLT M10 X 1.5 X 170	1
8922327	PLUG, 1/4" NPTF (12.9550)	2
8923916	PLUG, 1/2" PIPE (12.9550)	1
GASKET, AIR INTAKE MANIFOLD		
23517875	GASKET AIR INT MFD STL RUB CTD S50/60	3
3.5000A - TURBOCHARGER		
TURBOCHARGER		
23524928	TURB ASSY., GT47 1.27A/R 56TRIM SCRL DN EXH TO FRT	1
8929169	WASHER (12.9190)	4
11506101	NUT, M10 X 1.5	4
23522601	SPACER, PLATE	1
GASKET, TURBOCHARGER EXHAUST INLET CONNECTION		
8929529	GASKET, TURBO EXHAUST INLET	2
TUBE, TURBOCHARGER OIL SUPPLY		
23505039	ELBOW, 90 DEG FLD 3/4 TUBE	1
23515895	TUBE OIL SUPPLY SCROLL DOWN TURBO S60	1
8929833	CONNECTOR, 3/8" INV. FL. TUBE; 5/8" PIPE (12.9460)	2
CLIP, TURBOCHARGER OIL SUPPLY TUBE		
5109000	BRACKET, CLIP	1
5145994	CLIP, 3/8" TUBE X 1/2" BOLT	1
11509511	BOLT, M8 X 1.25 X 20 MM	1
11507036	NUT, M8 X 1.25	1
TUBE, TURBOCHARGER OIL RETURN		
23515354	TUBE TURB OIL DRN FLEX SST MED MT	1
11509511	BOLT, M8 X 1.25 X 20 MM	2
GASKET, TURBOCHARGER OIL RETURN TUBE		
8929285	GASKET (3.5505)	1
CLIP, TURBOCHARGER OIL RETURN TUBE		
2476233	CLIP, .750" DIA., 3/8" BOLT	1
5176400	BRACKET, CLIP (4.8010)	1
11509511	BOLT, M8 X 1.25 X 20 MM	1
11507036	NUT, M8 X 1.25	1

DETROIT DIESEL
CUSTOM PARTS CATALOG 07/22/99
06R0514156

PART #	NAME AND DESCRIPTION	QUANTITY
4.1000A - OIL PUMP		
PUMP ASSY., OIL		
A PUMP ASSY. INCLUDES ITEMS IN 4.1040, 4.1065, 4.1075, 4.1090 AND 4.1220.		
R23505886	REMANUFACTURED 23505886	AR
23505886	PUMP ASSY., RT. SIDE ENGINE	1
23505885	DOWEL, SLEEVE OIL PUMP	1
8929011	PIN, 25L., DOWEL	1
11502826	BOLT, M10 X 1.5 X 40.0	2
8929393	BOLT, M10 X 1.5 X 70.0 (12.9001)	2
OVERHAUL KIT, OIL PUMP		
AN OVERHAUL KIT INCLUDES ITEMS IN 4.1065, 4.1075, 4.1520, 4.1590 AND 4.1730		
23511065	OVERHAUL KIT, RT SIDE ENGINE	1
SHIM, OIL PUMP		
23508740	SHIM (.0055" THK.)	AR
BODY, OIL PUMP		
BODY ASSY. INCLUDES BUSHINGS IN 4.1050.		
23505878	BODY ASSY., RT. SIDE ENGINE	1
BUSHING, OIL PUMP BODY		
23505879	BUSHING, SHAFT & DRIVE GEAR	2
SHAFT AND GEAR ASSY., OIL PUMP DRIVE		
23505882	SHAFT & GEAR ASSY., OIL PUMP	1
SHAFT AND GEAR ASSY., OIL PUMP DRIVEN		
23507337	SHAFT & GEAR ASSY., OIL PUMP	1
GEAR, OIL PUMP DRIVE		
23505884	GEAR, 69 TEETH	1
COVER, OIL PUMP		
A COVER ASSY. INCLUDES BUSHINGS IN 4.1220		
23505883	COVER ASSY, OIL PUMP	1
23505879	BUSHING, SHAFT & DRIVE GEAR	2
11509511	BOLT, M8 X 1.25 X 20 MM	2
11509514	BOLT, M8 X 1.25 X 50 MM	2
4.1000B - OIL DISTRIBUTION SYSTEM		
PIPE, OIL PUMP INLET		
23506683	TUBE & SCREEN ASSY, OIL PUMP	1
11509514	BOLT, M8 X 1.25 X 50 MM	2
GASKET, OIL PUMP INLET PIPE		
23505992	GASKET, OIL INLET TUBE TO PUMP	1
BRACKET, OIL PUMP SCREEN SUPPORT		
8929104	BRACKET	2
11505299	BOLT, M10 X 1.5 X 30.0 MM	4
11502812	NUT, M10 X 1.5	2
PIPE, OIL PUMP OUTLET		
23505890	TUBE, OIL PUMP OUTLET	1
23514767 NS	ELBOW ASM OIL INL & PRESS RLF VLV S60	1
PIPE, OIL PUMP OUTLET		
23514738	ELBOW, OIL INL & RELIEF VALVE	1
457008	PIN, 3/16" X 1-1/2" SPRING (12.9270)	1
SPRING, OIL PUMP OUTLET PIPE BYPASS VALVE		
5126327	SPRING (2.96" FREE LENGTH, 15 COILS, CLOSED ENDS,	1
VALVE, OIL PUMP OUTLET PIPE BYPASS		
8922740	VALVE	1
5117957	SEAT	1
23505891	RING SEAL, OIL PUMP OUTLET	1
23505892	RING SEAL, OIL PUMP INLET	1
11504822	BOLT, M8 X 1.25 X 30	2
GASKET, OIL PUMP OUTLET PIPE		

D E T R O I T D I E S E L
 CUSTOM PARTS CATALOG 07/22/99
 06R0514156

PART #	NAME AND DESCRIPTION	QUANTITY
4.1000B - OIL DISTRIBUTION SYSTEM		
8929347	GASKET (TO BLOCK)	1
4.1000C - OIL PRESSURE REGULATOR		
REGULATOR, OIL PRESSURE		
A PUMP KIT INCLUDES PUMP ASSY. AND SEAL RING.		
23512901	REGULATOR ASSY.	1
BODY, OIL PRESSURE REGULATOR AND RELIEF		
457008	PIN, 3/16" X 1-1/2" SPRING (12.9270)	1
8929283	BODY, REGULATOR	1
SPRING, OIL PRESSURE REGULATOR		
5126327	SPRING (2.96" FREE LENGTH, 15 COILS, CLOSED ENDS,	1
VALVE, OIL PRESSURE REGULATOR		
8922740	VALVE	1
SEAT, OIL PRESSURE REGULATOR		
23512900	SEAT	1
11504822	BOLT, M8 X 1.25 X 30	2
4.2000A - OIL FILTER		
ELEMENT, OIL FILTER		
23518480	FILTER, LUBE OIL	2
ADAPTOR, OIL FILTER COVER		
8923847	PLUG, PIPE 1/4-18" NPTF	1
4.4000A - OIL COOLER		
CORE, OIL COOLER ENGINE		
52474367	CORE ASM ENG OIL CLR 10 PLT S60	1
HOUSING, OIL COOLER-ENGINE		
23518638	HOUSING ASM OIL CLR 10 PLT 12L S60	1
HOUSING, OIL COOLER-ENGINE		
8922327	PLUG, 1/4" NPTF (12.9550)	1
23511573	PLUG, 3/4" PIPE SQ. SOC. SCOTCHGRIP	4
23511574	PLUG, 1" PIPE SQ. SOC. SCOTCHGRIP	1
23511573	PLUG, 3/4" PIPE SQ. SOC. SCOTCHGRIP	1
23516104	PLUG PIPE 1/4-18 HEX HD STL CTD RED	1
HOUSING, OIL TRANSFER COOLER-FILTER ADAPTOR		
23508392	RING, SEAL	1
GASKET, OIL COOLER HOUSING		
8929289	RING, SEAL	1
ADAPTOR, OIL COOLER		
AN ADAPTOR ASSY. INCLUDES 4-PLUGS IN 4.4110 PLUS ITEMS IN 4.4140 AND 4.4150		
23518640 NS #	ADAPTOR ASM OIL CLR/FLTR 10PLT 12LS60	1
CORE, OIL COOLER ENGINE		
52474367	CORE ASM ENG OIL CLR 10 PLT S60	1
GASKET, OIL COOLER CORE INNER		
23506247	GASKET, OIL COOLER HOUSING	1
HOUSING, OIL COOLER-ENGINE		
23507182	BOLT, SPL M8 X 1.25 X 73.0	3
23518638	HOUSING ASM OIL CLR 10 PLT 12L S60	1
23507183	BOLT, SPL M8 X 1.23 X 93.0	7
ADAPTOR, OIL COOLER		
23518637	ADAPTOR ASM O/CLR 10 PLT PF2100 FLTRS	1
23508392	RING, SEAL	2
23505062	BOLT, M10 X 1.5 X 40 (12.9001)	4
# NOT SERVICED, USE COMPONENTS.		
GASKET, ADAPTOR TO OIL COOLER HOUSING		
23505902	RING, SEAL BYPASS FILTER	1
4.5000A - OIL FILLER		
CAP, OIL FILLER		
5117362	CAP, OIL FILLER	1

D E T R O I T D I E S E L
 CUSTOM PARTS CATALOG 07/22/99
 06R0514156

PART #	NAME AND DESCRIPTION	QUANTITY
4.5000A - OIL FILLER		
STRAINER, OIL FILLER TUBE		
23509074	BAFFLE ASSY.	1
23504751	SCREW #10-24 X .50" (4.8055)	3
CHAIN, OIL FILLER CAP		
5121989	CHAIN SASH 6.50 LG	1
5107979	HOOK, CHAIN ("S" TYPE) (4.5020)	2
COVER, OIL FILLER HOLE		
23505952	HOUSING	1
23516970	PLATE OIL FILL CVR DCST AL S50/60	1
23504890	ELEMENT 4" RKR CVR BTHR STL WIRE	1
11509511	BOLT, M8 X 1.25 X 20 MM	4
GASKET, OIL FILLER HOLE COVER		
8929302	GASKET, 4 HOLE (4.5007)	1
4.6000A - DIPSTICK		
DIPSTICK		
23517836	GAUGE ASM OIL LVL SNAP LK 16.33LG S60	1
GUIDE, DIPSTICK		
23513683	GUIDE	1
ADAPTOR, DIPSTICK		
23514328	TUBE ASM 8.70 LG	1
ADAPTOR, DIPSTICK		
137401	NUT, 1/2" INV. TUBE	1
23513842	SEAL OIL LVL GA ADAP	1
4.7000A - OIL PAN		
PAN, OIL		
OIL PAN ASSYS. INCLUDE PLUGS, INSERTS, SEAL RINGS, AND NUTS IN 4.7001		
23521330	KIT INSERT OIL PAN	3
23522283	PAN ASSY., OIL RR SUMP	1
8923313	PLUG, 3/4" PIPE (12.9550)	3
5178994	PLUG, 3/4"-14 NPTF PIPE (4.7080)	1
23520929	SEAL RING	3
23522281	SLEEVE ASSY., OIL PAN BOLT MOD SEAL SYS	10
GASKET, OIL PAN TO BLOCK		
23522279	GASKET, OIL PAN W/O CORD MOD SEAL SYS	1
4.8000A - VENTILATING SYSTEM		
PIPE ASSY, BREATHER		
23517013	TUBE BTHR DRAFT (RKR CVR) 1344.0 LG	1
23518315	HOSE 90 DEG 1.OID 1.80 X 1.0R	1
CLAMP, BREATHER TUBE		
5186840	CLAMP, 1 1/2" I.D. (12.9660)	2
CLIP, BREATHER TUBE		
23519756	BRACKET	1
23506443	CLIP, #16 HOSE 1" DIA. (4.8183)	2
11509511	BOLT, M8 X 1.25 X 20 MM	1
23505062	BOLT, M10 X 1.5 X 40 (12.9001)	1
5160425	SPACER, 13/32"X23/32"	1
11506101	NUT, M10 X 1.5	1
11507036	NUT, M8 X 1.25	1

DETROIT DIESEL
CUSTOM PARTS CATALOG 07/22/99
06R0514156

PART #	NAME AND DESCRIPTION	QUANTITY
5.1000 - FRESH WATER PUMP		
PUMP ASSY., FRESH WATER		
A PUMP KIT INCLUDES PUMP ASSY. AND SEAL RING.		
23518215	NS PUMP ASM WAT RR GRCASE SQCUT 0-RG S60	1
BODY, FRESH WATER PUMP		
23511573	PLUG, 3/4" PIPE SQ. SOC. SCOTCHGRIP	2
23511574	PLUG, 1" PIPE SQ. SOC. SCOTCHGRIP	1
23517027	BODY WAT PMP RRGRCASE SQCUT 0-RG S60	1
8929594	PLUG, 3/8"-18 DIA. PIPE EXT. HEX. SOC.	1
COVER, FRESH WATER PUMP BODY		
8922383	COVER, NON-METALLIC	1
GASKET, FRESH WATER PUMP COVER		
23512048	SEAL RING	1
8922407	RING RETAINER	1
SHAFT ASSY., FRESH WATER PUMP		
23505896	SHAFT	1
BEARING, FRESH WATER PUMP		
8929422	BEARING ASSY.	1
RETAINER, FRESH WATER PUMP BEARING AND SEAL		
8929427	RING	1
IMPELLER, FRESH WATER PUMP		
23517973	IMPELLER W/PMP C/I 6 VANE S60	1
SEAL, FRESH WATER PUMP		
23518316	SEAL WAT PUMP UNITIZED S60 W/SEALANT	1
8929134	SEAL, LIP TYPE	1
GEAR, FRESH WATER PUMP DRIVE		
23505897	WASHER, SPL WAT PUMP GEAR (5.1110)	1
23505910	GEAR, RH 61 TEETH	1
23508863	BOLT, M12X1.75X50.0MM	1
23522707	(R) KIT, WATER PUMP MT RR GR CASE	1
23505025	SEAL RING W/SQ CUT (5.1032)	1
11509523	BOLT, M10 X 1.5 X 55 MM	1
23505755	BOLT, M10 X 1.5 X 155.0	2
RECONDITIONING KIT, FRESH WATER PUMP		
A RECONDITIONING KIT INCLUDES SEAL RING IN 5.1001, BEARING IN 5.1070 LOCKRING IN 5.1071 AND ITEMS IN 5.1130 AND 5.1236.		
23509105	KIT, RECONDITIONING W/SQ CUT WAT PMP & CVR SEALS	AR
5.2000B - THERMOSTAT		
THERMOSTAT ASSY.		
8929878	THERMOSTAT ASSY. 190 DEG. OPENING TEMP.	2
SEAL, THERMOSTAT		
5132155	SEAL	2
23509514	SEAL FLANGE	AR
COVER, THERMOSTAT HOUSING		
8929728	COVER	1
23511572	PLUG, 1/2" NPTF SQ. SOC. (12.9550)	2
23511573	PLUG, 3/4" PIPE SQ. SOC. SCOTCHGRIP	2
5136240	PLUG CAP .42" DIA. (2.2001)	1
8924140	DRAINCOCK, 1/4" (12.9510)	1
23505050	BOLT, M10 X 1.5 X 85	4
5.2000C - WATER BYPASS TUBE		
TUBE, WATER BYPASS		
23505898	TUBE	1
HOSE, WATER BYPASS TUBE		
8929875	HOSE, 1 3/4" X 3.25"	2
CLIP, WATER BYPASS TUBE		
23505048	CLAMP, 2"-2 1/2" DIA. HOSE	4
5.3000B - WATER CONNECTIONS		
TUBE, WATER PUMP TO OIL COOLER		
23505899	TUBE (FOR HI & MED MT. TURBO)	1

DETROIT DIESEL
CUSTOM PARTS CATALOG 07/22/99
06R0514156

PART #	NAME AND DESCRIPTION	QUANTITY
5.3000B - WATER CONNECTIONS		
HOSE, WATER PUMP TO OIL COOLER 23506325	HOSE, 2.75"X3.0" L (BLUE)	2
CLIP, WATER PUMP TO OIL COOLER TUBE 8929865	CLAMP, 3"-3 1/2" ID HOSE	4
5.4000A - FAN		
BLADE, FAN HIGH LOW AND CRANKSHAFT MOUNTED NPN	(CUSTOMER FURNISHED) BLADE	1
PULLEY AND HUB ASSY., FAN		
8929169	WASHER (12.9190)	6
8929218	PULLEY, FAN 3 GROOVE 203.0, 1 GROOVE 254.0	1
8929585	BOLT, M10 X 1.5 X 380.0 (12.9001)	1
9409036	BOLT, 3/8"-24 X 1.125" (12.9001)	6
SUPPORT, FAN MOUNTING		
23511356	SUPPORT, W/UPR RT BOLT BOSS	1
11504822	BOLT, M8 X 1.25 X 30	5
11509525	BOLT, M10 X 1.5 X 110 MM	2
11509531	BOLT, M14 X 2.0 X 60 MM	1
11509533	BOLT, M14 X 2.0 X 100 MM	1
11513960	BOLT, M10 X 1.5 X 145 MM	1
SPINDLE ASSY., FAN DRIVE		
A SPINDLE ASSY. INCLUDES ITEMS IN 5.4102, 5.4103, 5.4111 AND 5.4160.		
8929538	SPINDLE ASSY.	1
455322	FITTING, 1/8" VENT (12.9540)	1
271283	FITTING, 45 DEG.-1/8" GREASE (12.9540)	1
455734	PIN, SPRING 1/8" X 3/4" (12.9300)	1
11500944	BOLT, M12X1.75X40.0 MM	4
5131978	WASHER, .53 X 1.00 (1.5001)	4
8929214	WASHER	1
HOUSING, FAN DRIVE SPINDLE		
8929215	PLATE	1
8920419	BOLT, M10X1.5"X45.0" SPECIAL (1.2070)	1
BEARING, FAN SPINDLE		
7451005	BEARING, ROLLER (12.4048)	1
23506569	BEARING, BALL (OPTIONAL TO 8929530)	1
8929064	RING, INT RETAINING 3.121" O.D. (12.4048)	1
23518178	BRG BALL ALT DRIV HEAT STABILIZED S60	1
8929063	RING, INT RETAINING 3.734" O.D. (12.4048)	1
8929216	RING, INT RETAINING 1.618" O.D. (5.4111)	1
SEAL, FAN SPINDLE		
8929213	SEAL	1

D E T R O I T D I E S E L
 CUSTOM PARTS CATALOG 07/22/99
 06R0514156

PART #	NAME AND DESCRIPTION	QUANTITY
6.1000A - EXHAUST MANIFOLD AND/OR CONNECTIONS		
MANIFOLD, EXHAUST		
23511221	MANIFOLD, 3 PC END FRONT HIGH MOUNT	1
23511222	MANIFOLD, 3 PC FRT & REAR END	1
23511978	MANIFOLD, 3 PC CENTER SECTION HIGH MOUNT	1
GASKET, EXHAUST MANIFOLD		
23511666	GASKET, 2 PORT (GRAPHITE)	3
STUD, EXHAUST MANIFOLD TO TURBOCHARGER		
23517241	STUD SPL M10X1.5X58.5 EXH MAN S50G	4
BOLT, EXHAUST MANIFOLD TO HEAD		
8929357	BOLT, M10 X 1.5 X 120 (12.9001)	7
23511667	SPACER	12
HEAT SHIELD, EXHAUST MANIFOLD		
23520972	HEAT SHIELD EXH MANIF FRT	1
23519124	SHIELD HEAT EXH MANIFOLD RR	1
23509744	STUD, BOLT M10X1.5X120.0	5
11506101	NUT, M10 X 1.5	5
6.2000A - EXHAUST MUFFLER AND/OR CONNECTIONS		
CONNECTION, FLEXIBLE EXHAUST		
5140347	CONNECTOR, 5.00" O.D. X 4.00"L. (6.2095)	1
23506159	CLAMP, 5.88" DIA.	1

DETROIT DIESEL
CUSTOM PARTS CATALOG 07/22/99
06R0514156

PART #	NAME AND DESCRIPTION	QUANTITY
7.1000A - BATTERY CHARGING GENERATOR		
GENERATOR ASSY.		
19010182	GEN CHRГ AC 24V70A NG CW/CCW 21SI	1
9427945	BOLT, 1/2"-13 X 6.25" (12.9001)	1
5132715	WASHER, .53"X.94"X.12" (1.3140)	3
103323	LOCKWASHER, 1/2"	2
PULLEY, GENERATOR		
442733	BOLT, 1/2"-13 X 1.25" (12.9001)	1
5140070	PULLEY, 3.66" DIA, 2 GRVS .500" WIDE	1
102637	NUT, 1/2"-13	1
BELT, GENERATOR DRIVE		
23517835	BELT .500 X 53.00 PREM HI CAP	1
STRAP, GENERATOR ADJUSTING		
23519910	ROD, ADJ M16 X 2.0 X 265.0 L.	1
23507487	ROD, ADJ M16X2.0X381.0 L.	1
23511669	LINK, ADJUSTING ROD	1
103345	WASHER, 5/8"	2
11501055	NUT, M16X2.0	2
11509526	BOLT, M10 X 1.5 X 130 MM	1
11506101	NUT, M10 X 1.5	1
BRACKET, GENERATOR MOUNTING		
23521122	BRACKET ALTNTR LOW MT S50 TRK&INDST	1
23521132	BOLT M10 1.5 X 140.0 FLG HEX HD CTD S60	2
23515059	SPACER 19.MMO.D.X10.7MMI.D.X12.7	1
23521131	NUT M10 HEX FLANGE	2
7.3000A - STARTING MOTOR		
MOTOR ASSY., STARTING		
R0461128	MOTOR ASSY., 24V 42MT (REMANUFACTURED)	AR
10478980	MOTOR ASSY. (24V. CW. INSUL. 42MT)	1
9439720	BOLT, 5/8"-11X2 1/4" (12PT.) (12.9005)	3
103325	LOCKWASHER, 5/8"	3

DETROIT DIESEL
CUSTOM PARTS CATALOG 07/22/99
06R0514156

PART #	NAME AND DESCRIPTION	QUANTITY
11.1000A - ENGINE MOUNTING BASE		
SUPPORT, ENGINE FRONT		
8929744	SUPPORT (WEST COAST) ITEM 1	1
11509528	BOLT, M12 X 1.75 X 30 MM	8
8929068	BOLT, M14 X 2.0 X 140 (12.9001)	4

FIG.	PART NO.	12.8000A SUPPLIES/MAINTENANCE PRODUCTS	NAME AND DESCRIPTION	ASSY. SECT.	A															
			PAINT, ENGINE TOUCH-UP																	
	8929665		PAINT, BLUE (1 GAL. CAN)		AR															
	8929666		PAINT, BLUE (12 OZ. SPRAY CAN)		AR															
	8929667		PAINT, CLEAR (1 GAL. CAN)		AR															
	8929668		PAINT, CLEAR (12 OZ. SPRAY CAN)		AR															
			KIT, FILTER MAINTENANCE-FUEL/OIL																	
	23518018		KIT, FILTER MAINTENANCE S50/60 W/23516189 PRIMARY		AR															
	23518683		KIT, FILTER MAINTENANCE S60 (PRE-1993)		AR															
	23518686		KIT, FILTER MAINTENANCE S50/60 (1993-)		AR															
			FUEL SYSTEM PRODUCTS																	
	23520047		FILTER ASSY.PRIMARY 30 MICRON SEA PRO 150		AR															
	23518168		ELEMENT PRIMARY 30 MICRN SEA- PRO 300		AR															
	23515125		PROCESSOR ASSY., FUEL PRO 380 NO HEAT	A1	AR															
	23519956		PROCESSOR ASSY., FUEL PRO 380 NO HEAT CHROME	A1	AR															
	23514047		PROCESSOR ASSY., FUEL PRO 380 12V HEAT	A1	AR															
	23521049		PROCESSOR ASSY., FUEL PRO 380 12V W/GROUND	A1	AR															
	23513543		PRO-CHEK FUEL/AIR SEPARATOR REAR MT		AR															
	23516638		PROCESSOR ASSY., FUEL PRO 380 24V HEAT	A1	AR															
	23513542		INSTALLATION KIT FOR PRO-CHEK SIDE MT		AR															
	23519957		PROCESSOR ASSY., FUEL PRO 380 12V W/FLUID HEAT	A1	AR															
	23515444		PRO-CHEK FUEL/AIR SEPARATOR SIDE MT		AR															
	23519724		PROCESSOR ASSY., FUEL PRO 380 24V W/FLUID HEAT	A1	AR															
	23521056		PROCESSOR ASSY., FUEL PRO 380 12V HEAT WIF SENSOR	A1	AR															
	23520907		PROCESSOR ASSY. FUEL PRO 380 12V/120V HEAT	A1	AR															
	23516639		KIT, FUEL PRO 380E NO HEAT W/O DI- VERTER CAP	A1	AR															
	23516640		KIT, FUEL PRO 380E 12V HEAT W/O DIVERTER CAP	A1	AR															
	23516641		KIT, FUEL PRO 380E 24V HEAT W/O DIVERTER CAP	A1	AR															
	23519239		KIT, FUEL PRO 380F 12V W/O DI- VERTER CAP	A1	AR															
	23519725		KIT, FUEL PRO 380 24V FLUID HEAT W/O DIVERTER CAP	A1	AR															
	23519237		KIT, FUEL PRO 380E NO HEAT W/DI- VERTER CAP	B1	AR															
	23519238		KIT, FUEL PRO 380E 12V HEAT CHROME W/DIVERTER CAP	B1	AR															
	23519235		KIT, FUEL PRO 380E 12V HEAT W/DI- VERTER CAP	B1	AR															
	23519236		KIT, FUEL PRO 380E 24V HEAT W/DI- VERTER CAP	B1	AR															

FIG.	PART NO.	12.8000A SUPPLIES/MAINTENANCE PRODUCTS	ASSY. SECT.	A																
		NAME AND DESCRIPTION																		
		HAND CLEANERS																		
	12.8070																			
	23523182	HAND CLEANER FAST ORANGE SMOOTH LOTION 15OZ BOTTLE	AR																	
	23523185	HAND CLEANER FAST ORANGE PUM- ICE LOTION 15OZ BOTTLE	AR																	
	23523187	HAND CLEANER TROUNCE LOTION 15OZ BOTTLE	AR																	
	23523183	HAND CLEANER FAST ORANGE SMOOTH LOTION 1GAL BOTTLE	AR																	
	23523184	HAND CLEANER FAST ORANGE PUM- ICE LOTION 1GAL BOTTLE	AR																	
	23523186	HAND CLEANER TROUNCE LOTION 1GAL BOTTLE	AR																	
	23523223	BRACKET, WALL MOUNT 1GAL PUMP BOTTLE	AR																	
	12.8110	LUBRICATING COMPOUND THREAD																		
	5198563	INTERNATIONAL COMPOUND #2 QT.	AR																	
	23509545	SEAL, ANTI-SEIZE HEAT & RUST 1 LB.	AR																	
	12.8242	THREADLOCK & SEALER																		
	23509535	THREADLOCK, MEDIUM STRENGTH (50 ML.)	AR																	
	23509536	THREADLOCK, MEDIUM STRENGTH (10 ML.)	AR																	
	23509537	THREADLOCK, HIGH STRENGTH (10 ML.)	AR																	
	23509538	THREADLOCK, HIGH STRENGTH (50 ML.)	AR																	
	23509539	THREADLOCK, PENETRATING (10 ML.)	AR																	
	23509542	SEALER, THREAD (50 ML.)	AR																	
	23509544	SEALANT, COMPOUND (50 ML.)	AR																	
	12.8255	SEALANT, RTV																		
	23509540	SEALANT, GASKET ELIMINATOR (50 ML.)	AR																	
	23523064	SEALANT, GASKET ELIMINATOR (50ML.)FOR INSTALLING FRT & REAR CAMSHAFT CAPS	AR																	
	23509541	SEALANT, GASKET ELIMINATOR (300 ML.)	AR																	
	23509543	SEALANT, ULTRA BLUE RTV 3 OZ.	AR																	
	23509603	SEALANT, BLACK RTV 11 OZ.	AR																	
	23523188	SEALANT, HIGH TEMP RED RTV 11 OZ.	AR																	

FIG.	PART NO.	NAME AND DESCRIPTION	ASSY. SECT.																	
		12.8000A SUPPLIES/MAINTENANCE PRODUCTS	A																	
	12.8260	ADDITIVES, SUPPLEMENTAL COOLANT																		
	23507855	SUPPLEMENT, COOLANT ADDITIVE 1/2 GAL. (DD-3000-HG)	AR																	
	23507856	SUPPLEMENT, COOLANT ADDITIVE 5 GAL. (DD-3000-11)	AR																	
	23507857	SUPPLEMENT, COOLANT ADDITIVE 55 GAL. (DD-3000-15)	AR																	
	23507858	SUPPLEMENT, COOLANT ADDITIVE 1 PT. (DD-2000-P)	AR																	
	23507859	SUPPLEMENT, COOLANT ADDITIVE 1/2 GAL. (DD-2000-HG)	AR																	
	23507860	SUPPLEMENT, COOLANT ADDITIVE 5 GAL. (DD-2000-11)	AR																	
	23507861	SUPPLEMENT, COOLANT ADDITIVE 55 GAL. (DD-2000-15)	AR																	
	23507854	SUPPLEMENT, COOLANT ADDITIVE (1 PT.) (DD-3000-P)	AR																	
	23512138	PRECHARGED COOLANT (1 GAL.) CONCENTRATED	AR																	
	23512139	PRECHARGED COOLANT (55 GAL.) CONCENTRATED	AR																	
	23512140	PRECHARGED COOLANT (BULK) CONCENTRATED	AR																	
	23513503	POWER COOL COOLANT (BULK) PRE- BLENDED 50/50	AR																	
	23518918	POWER COOL COOLANT (55 GAL.) PRE-BLENDED 50/50	AR																	
	23519394	POWER COOL PLUS EXTENDED LIFE COOLANT 55 GAL (OAC)CONCEN- TRATED	AR																	
	23519395	PWER COOL PLUS EXTENDED LIFE COOLANT BULK (OAC)CONCEN- TRATED	AR																	
	23519396	POWER COOL PLUS EXTENDED LIFE COOLANT 1 GAL (OAC)PRE-BLENDED 50/50	AR																	
	23519397	POWER COOL PLUS EXTENDED LIFE COOLANT 1 GAL (OAC)CONCEN- TRATED	AR																	
	23519398	POWER COOL PLUS EXTENDED LIFE COOLANT 55 GAL (OAC)PRE- BLENDED 50/50	AR																	
	23519399	POWER COOL PLUS EXTENDED LIFE COOLANT (OAC)PRE-BLENDED 50/50	AR																	
	23519400	POWER COOL PLUS EXTENDER FOR USE W/POWER COOL PLUS	AR																	
	23522127	POWER COOL PLUS 6000 FOR MA- RINE/OTHER WATER ONLYSYSTEMS	AR																	
	23522128	POWER COOL PLUS 6000 FOR MA- RINE/OTHER WATER ONLYSYSTEMS	AR																	
	12.8270	CLEANER, COOLANT SYSTEM																		
	23507862	CLEANER, COOLANT SYSTEM 1/2 GAL. (DD-2001-HG)	AR																	
	23507863	CLEANER, COOLANT SYSTEM 5 GAL. (DD-2001-11)	AR																	
	23507864	CLEANER, COOLANT SYSTEM 55 GAL. (DD-2001-15)	AR																	
	23507867	CLEANER, COOLANT SYSTEM (TWIN PAK) (DD-2015-49)	AR																	

FIG.	PART NO.	12.8000A SUPPLIES/MAINTENANCE PRODUCTS	ASSY. SECT.	A																
		NAME AND DESCRIPTION																		
		ADDITIVES, DIESEL FUEL																		
	12.8280																			
	23507869	ADDITIVES, FUEL 5 GAL. (DD-2020-11)	AR																	
	23507870	ADDITIVES, FUEL 55 GAL. (DD-2020-15)	AR																	
	23507871	ADDITIVES, FUEL 1 PT. (DD-1000-P)	AR																	
	23507872	ADDITIVES, FUEL 2 GAL. (DD-1000-11)	AR																	
	23507873	ADDITIVES, FUEL 55 GAL. (DD-1000-15)	AR																	
	23507868	ADDITIVES, FUEL (1 PT.) (DD-2020-P)	AR																	
	12.8290	KIT, COOLANT ANALYSIS																		
	23516921	KIT, POWER TRAC COOLANT ANALYSIS	AR																	
	23519401	POWER TRAC COOLANT TEST STRIP (1 STRIP)	AR																	
	23522774	POWER TRAC COOLANT TEST STRIPS (BOTTLED 10 STRIPS)	AR																	
	23519402	POWER TRAC COOLANT TEST STRIPS (BOTTLED 50 STRIPS)	AR																	
	12.8291	KIT, OIL ANALYSIS																		
	23515823	KIT, POWER TRAC LUBE OIL ANALYSIS	AR																	
	23517267	KIT, POWER TRAC LUBE OIL EXTRACTION	AR																	
	23520989	KIT, POWER TRAC LUBE OIL ANALYSIS W/TOTAL BASENUMBER	AR																	
	23521982	KIT, POWER TRAC LUBE OIL ANALYSIS (CANADIAN ONLY)	AR																	
	23521984	KIT, POWER TRAC OIL EXTRACTION (CANADIAN ONLY)	AR																	
	23521983	KIT, POWER TRAC LUBE OIL ANALYSIS W/TOTAL BASENUMBER	AR																	
	12.8293	KIT, FUEL ANALYSIS																		
	23516922	KIT, POWER TRAC FUEL ANALYSIS	AR																	
	12.8300	PANEL, INSTRUMENT																		
	23520758	GAGE PANEL, MECHANICAL 15' CAPILLARY 12/24V (7.4005)	AR																	
	23520757	GAGE PANEL, MECHANICAL 30' CAPILLARY 12/24V (7.4005)	AR																	
	23513680	GAGE PANEL, INSTRUMENT CONTROL BLANK (7.4005)	AR																	
	23519833	BRACKET, 1-HOLE MOUNTING BLACK (7.4005)	AR																	
	23513217	BRACKET, 2-HOLE MOUNTING RUBBER (7.4005)	AR																	
	23519834	BRACKET, 2-HOLE MOUNTING BLACK (7.4005)	AR																	
	23519835	BRACKET, 3-HOLE MOUNTING BLACK (7.4005)	AR																	

FIG.	PART NO.	12.8000A SUPPLIES/MAINTENANCE PRODUCTS	ASSY. SECT.	A																
		NAME AND DESCRIPTION																		
		12.8310	GAGE, AMMETER																	
	23519803	GAGE, AMMETER 60-0-60 BLACK (7.4015)		AR																
	23520723	GAGE, AMMETER 60-0-60 CHROME (7.4015)		AR																
	23519804	GAGE, AMMETER 100-0-100 BLACK (7.4015)		AR																
	23520756	GAGE, AMMETER 100-0-100 CHROME (7.4015)		AR																
	23520733	GAGE, AMMETER 150-0-150 W/EXTERNAL SHUNTCHROME (7.4015)		AR																
		12.8315	GAGE, AIR PRESSURE																	
	23519792	GAGE, AIR PRESSURE 150 PSI SINGLE CHROME (7.4024)		AR																
	23520732	GAGE, AIR PRESSURE 150 PSI SINGLE BLACK (7.4024)		AR																
	23519836	KIT, PRESSURE TUBING 6' X 1/8" COPPER		AR																
		12.8320	GAGE, TACHOMETER																	
	23519774	GAGE, TACH 3000RPM W/O HRMETER DDEC COMPATIBLE BLK (USE SENDER 23519819,23519820 OR 23519821) 7.4060		AR																
	23519775	GAGE, TACH 3000RPM W/HRMETER DDEC COMPATIBLE BLACK (USE SENDER 23519819,23519820 OR 23519821) 7.4060		AR																
	23519776	GAGE, TACH 3000RPM W/HRMETER DDEC COMPATIBLE CHROME (USE SENDER 23519819,23519820 OR 23519821) 7.4060		AR																
	23519777	GAGE, TACH 3500RPM 1:2 W/REV COUNTER MECH CHROME (7.4060)		AR																
	23520728	GAGE, TACH 3,500 RPM 1:2 RATIO MECHANICAL (7.4060)		AR																
	23519819	GAGE, SPEEDO/TACH MAGNETIC PICK UP 3.5"L. 3/4"-16 (7.4180)		AR																
	23519820	SENDER, SPEEDO/TACH HALL EFFECT 7/8"-18 (7.4180)		AR																
	23519821	SENDER, SPEEDO/TACH GENERATOR 7/8"-18 (USE KEY 6469745 OR 6469746) (7.4180)		AR																
	6469745	KEY, .152" SPEEDO/TACH GENERATOR		AR																
	6469746	KEY, .187" SPEEDO/TACH GENERATOR		AR																

FIG.	PART NO.	12.8000A SUPPLIES/MAINTENANCE PRODUCTS NAME AND DESCRIPTION	ASSY. SECT.	A																
		GAGE, OIL PRESSURE -- ENGINE																		
	12.8330																			
	23519790	GAGE, OIL PRESSURE 100 PSI ME- CHANICAL BLACK (7.4070)	AR																	
	23520731	GAGE, OIL PRESSURE 100 PSI ME- CHANICAL CHROME (7.4070)	AR																	
	23519791	GAGE, OIL PRESSURE 150 PSI ME- CHANICAL BLACK (7.4070)	AR																	
	23520721	GAGE, OIL PRESSURE 150 PSI ME- CHANICAL CHROME (7.4070)	AR																	
	23520744	GAGE, OIL PRESSURE 80 PSI 12V 0-80 OHM CHROME (USE SENDER 23511477,23512594,23512979,23513978)	AR																	
	23519798	GAGE, OIL PRESSURE 100 PSI 12V 10-180 OHM BLACK (USE SENDER 23519826) (7.4070)	AR																	
	23519799	GAGE, OIL PRESSURE 150 PSI 12V 10-180 OHM BLACK (USE SENDER 23519827) (7.4070)	AR																	
	23511477	SENDER,OIL PRESS 80PSI, 1/8"-27NPT, DUAL STATION (7.4070)	AR																	
	23512594	SENDER,OIL PRESS 80PSI,1/8"-27NPT,STANDARD GROUND (7.4070)	AR																	
	23512979	SENDER, OIL PRESSURE ELECT 80 PSI FLTNG GRD DUAL (7.4070)	AR																	
	23513978	SENDER,OIL PRESSURE 80PSI,1/4"-18NPT,FLOATING GRD (7.4070)	AR																	
	23519826	SENDER,OIL PRESSURE 100PSI,1/8"-27NPT STANDARD GRD. (7.4070)	AR																	
	23519827	SENDER,OIL PRESSURE 150PSI,1/8"-27NPT, STANDARD GRD (7.4070)	AR																	
	23519836	KIT, PRESSURE TUBING 6' X 1/8" COP- PER	AR																	
	12.8335	GAGE, OIL PRESSURE -- TRANSMISSION																		
	23520746	GAGE, TRANS PRESSURE 400 PSI 12V CHROME (USE SENDER 23511617, 23513980 OR 23513981) 7.4071	AR																	
	23519800	GAGE, TRANS PRESSURE 400 PSI 12V BLACK (USE SENDER 23511617, 23513980 OR 23513981) 7.4071	AR																	
	23520730	GAGE, TRANS PRESSURE 400 PSI MECHANICAL CHROME (7.4071)	AR																	
	23519794	GAGE, TRANS PRESSURE 400 PSI MECHANICAL BLACK (7.4071)	AR																	
	23511617	SENDER, TRANS PRESSURE 400 PSI 1/8"-27 STD GRD (7.4071)	AR																	
	23513980	SENDER, TRANS PRESSURE 400PSI 1/8"-27 FLOATING GRD (7.4071)	AR																	
	23513981	SENDER, TRANS PRESSURE 400PSI 1/8"-27 DUAL STATION (7.4071)	AR																	
	23519836	KIT, PRESSURE TUBING 6' X 1/8" COP- PER	AR																	

FIG.	PART NO.	NAME AND DESCRIPTION	ASSY. SECT.	A																
		12.8000A SUPPLIES/MAINTENANCE PRODUCTS																		
		GAGE, HOUR METER																		
	12.8370																			
	23519812	METER, HOUR QUARTZ 9-28V, NON ILLUMINATED CHROME (7.4118)			AR															
	23519813	METER, HOUR QUARTZ 9-28V, NON ILLUMINATED BLACK (7.4118)			AR															
	23519814	METER, HOUR QUARTZ 9-28V, WATERPROOF (7.4118)			AR															
	23519815	METER, HOUR QUARTZ MINIMETER 9-28V NON ILLUMINATED (7.4118)			AR															
	12.8375	GAGE, TURBO BOOST																		
	23519832	GAGE, TURBO BOOST 0-30 PSI (7.4160)			AR															
	23519842	GAGE, TURBO BOOST 0-30 PSI BLACK (7.4160)			AR															
	23519836	KIT, PRESSURE TUBING 6' X 1/8" COPPER			AR															
	12.8380	GAGE, VOLTMETER																		
	23519801	GAGE, VOLTMETER 8-16V CHROME (7.4170)			AR															
	23519802	GAGE, VOLTMETER 8-16V BLACK (7.4170)			AR															
	12.8385	GAGE, SPEEDOMETER																		
	23519773	GAGE, SPEEDO 0-85 MPH PROGRAM-ABLE W/TRIP (7.4180)			AR															
	23519819	GAGE, SPEEDO/TACH MAGNETIC PICK UP 3.5"L. 3/4"-16 (7.4180)			AR															
	23519820	SENDER, SPEEDO/TACH HALL EFFECT 7/8"-18 (7.4180)			AR															
	23519821	SENDER, SPEEDO/TACH GENERATOR 7/8"-18 (7.4180)			AR															
	23520374	SENDER, SPEEDO/TACH GENERATOR 7/8"-18 ODO TERM (7.4180)			AR															
	6469745	KEY, .152" SPEEDO/TACH GENERATOR (FOR USE WITH 23519821 OR 23520374)			AR															
	6469746	KEY, .187" SPEEDO/TACH GENERATOR (FOR USE WITH 23519821 OR 23520374)			AR															

FIG	PART NO.	12.8000A SUPPLIES/MAINTENANCE PRODUCTS	A	B	C	D	E	F	G	H	I	J	K	L	M	N
		NAME AND DESCRIPTION														
		(Note: Assemblies are shown for component reference only.)														
		FUEL SYSTEM PRODUCTS														
	12.8006	FUEL SYSTEM PRODUCTS														
	23515125	PROCESSOR ASSY., FUEL PRO 380 NO HEAT	1									1				
	23519956	PROCESSOR ASSY., FUEL PRO 380 NO HEAT CHROME		1												
	23514047	PROCESSOR ASSY., FUEL PRO 380 12V HEAT			1								1			
	23521049	PROCESSOR ASSY., FUEL PRO 380 12V W/GROUND				1										
	23516638	PROCESSOR ASSY., FUEL PRO 380 24V HEAT					1							1		
	23519957	PROCESSOR ASSY., FUEL PRO 380 12V W/FLUID HEAT						1							1	
	23519724	PROCESSOR ASSY., FUEL PRO 380 24V W/FLUID HEAT							1							1
	23521056	PROCESSOR ASSY., FUEL PRO 380 12V HEAT W/IF SENSOR								1						
	23520907	PROCESSOR ASSY. FUEL PRO 380 12V/120V HEAT									1					
	23516639	KIT, FUEL PRO 380E NO HEAT W/O DIVERTER CAP										1				
	23516640	KIT, FUEL PRO 380E 12V HEAT W/O DIVERTER CAP											1			
	23516641	KIT, FUEL PRO 380E 24V HEAT W/O DIVERTER CAP												1		
	23519239	KIT, FUEL PRO 380F 12V W/O DIVERTER CAP													1	
	23519725	KIT, FUEL PRO 380 24V FLUID HEAT W/O DIVERTER CAP														1
	23519934	STUD, 13/16"-12, 7/8"-14	1	1	1	1	1	1	1	1	1	1	1	1	1	1
	23514049	ELEMENT & GROMMET ASSY. 380 (USE W/23514051 KIT)	1	1	1	1	1	1	1	1	1	1	1	1	1	1
	23514051	KIT, W/CAP & BOWL O-RINGS	1	1	1	1	1	1	1	1	1	1	1	1	1	1
	23516794	BRACKET, FUEL PRO 380 MOUNT										1	1	1	1	1
	23516796	U-CLAMP ASSY., FUEL PRO 380										2	2	2	2	2
	23514060	SPRING, FUEL PRO 380	1	1	1	1	1	1	1	1	1	1	1	1	1	1
	23516795	U-BOLT, FUEL PRO 380										2	2	2	2	2
	23514048	COVER, CLEAR FUEL PRO 380	1	1	1	1	1	1	1	1	1	1	1	1	1	1
	23514061	COLLAR, FUEL PRO 380	1	1	1	1	1	1	1	1	1	1	1	1	1	1
	23516797	WIRE HARNESS, FUEL PRO 380											1	1	1	1
	23517429	TEE, 1/4"NPTF										1	1	1		
	23514043	KIT, W/CAP & SEAL RING	1	1	1	1	1	1	1	1	1	1	1	1	1	1
	23519958	CIRCUIT BREAKER, FUEL PRO 380													1	1
	23519943	* VALVE, CHECK INLET (23519966)	1	1								1				
	23519944	* VALVE, CHECK THERM CONTROL INLET (23519967)			1		1	1	1	1	1		1	1	1	1
	23519959	TERMINAL, BUTT SPLICE FUEL PRO 380													1	1
	23521064	* VALVE, CHECK THERM CONTROL W/GRD INLET (23521066)				1										
	23518327	VALVE ASSY., DRAIN FUEL PRO 380	1	1	1	1	1	1	1	1	1	1	1	1	1	1
	23519960	FITTING, PIPE TO HOSE FUEL PRO 380													2	2
	23517427	HEATER, FUEL PRO 380 12V			1	1		1					1		1	
	23517428	HEATER, FUEL PRO 380 24V					1		1					1		1
	23521060	HEATER, FUEL PRO 380EE 120V									1					
	23517426	KIT, W/THERMOSWITCH & TY-RAP			1	1	1	1	1	1	1		1	1	1	1
	23517425	HARNESS, FUEL PRO 380 12V/24V			1		1	1	1	1	1		1	1	1	1
	23521061	HARNESS, FUEL PRO 380 12V GROUNDED				1										

FIG	PART NO.	12.8000A SUPPLIES/MAINTENANCE PRODUCTS	A	B	C	D	E	F	G	H	I	J	K	L	M	N
		NAME AND DESCRIPTION														
		(Note: Assemblies are shown for component reference only.)														
	12.8006	FUEL SYSTEM PRODUCTS														
		(cont.)														
	23521065	HARNESS, FUEL PRO 380E WIF SENSOR									1					
	23521062	SENSOR, WATER IN FUEL									1					
		* NOT SERVICED, USE PART NUMBER SHOWN IN PARENTHESES AND 23518326 REPAIR KIT.														

DETROIT DIESEL

CORPORATION

®



13400 Outer Drive, West / Detroit, Michigan 48239-4001