

Service Parts

Engine

Engine Models:

Mitsubishi S12H-PTA

Generator Models:

900/1000 kW

Table of Contents

Description	Page
Introduction	1
Number System Significance	1
Illustrations	1
How to Find Part Numbers	1
Group 1: Cylinder Head	2
Group 4.1: Valve Mechanism	3
Group 4.2: Rocker Cover	4
Group 5: Camshaft	6
Group 7.1: Crankcase Assembly	8
Group 7.2: Crankcase Bearings	9
Group 7.3: Crankcase Covers	10
Group 11: Timing Gear Case	12
Group 13: Oil Pan	13
Group 14: Engine Mounting	14
Group 17: Piston and Connecting Rod	15
Group 20: Crankshaft, Flywheel, and Damper	16
Group 23: Timing Gear	18
Group 25.1: Accessory Drive, Front	20
Group 25.2: Accessory Drive, Rear	22
Group 25.3: Hourmeter Drive	23
Group 30.1: Intake System	24
Group 30.2: Air Heater	26
Group 32.1: Exhaust System	27
Group 32.2: Exhaust Elbow	29
Group 33: Turbocharger	30
Group 35: Oil Pump	32
Group 36.1: Oil Strainer	33
Group 36.2: Oil Pipe	34
Group 36.3: Turbocharger Oil Lines	36
Group 39: Oil Cooler	38
Group 40: Oil Filter	39
Group 42: Oil Filler and Breather	40
Group 45: Water Pump	42
Group 46.1: Thermostat and Covers	44
Group 46.2: Water Pump Pipes	45
Group 46.3: Air Cooler Pipes	46
Group 48: Fan Drive	48
Group 60: Feed Pump	50
Group 61.1: Fuel Rack Control	52
Group 61.2: Control Shaft	54
Group 61.3: Injector	56
Group 62.1: Fuel Filter Piping	58
Group 62.2: Fuel Filter Return Piping	60
Group 62.3: Fuel Filter	62
Group 63: Governor Drive	63
Group 66: Starter	64
Group 68.1: Alternator Mounting	65
Group 68.2: Alternator	66
Group 71: Turning Gear	67
Group 87: Stop System	68
Group 94.1: Overhaul Gasket Kit	69
Group 94.2: Oil Seal Kit	70

Introduction

This manual lists service replacement parts for 900/1000 kW generator sets.

At the time of print this manual applied to the generator set specification (spec) numbers listed in the Specification Number Index. On occasion this manual may apply to specs not listed in the Specification Number Index.

Information in this publication represents data available at the time of print. The generator set manufacturer reserves the right to change this publication and the products represented without notice and without any obligation or liability whatsoever.

This manual includes the following main sections:

Table of Contents. Lists the sections of the manual.

Introduction (and other information sections). Contains introductory material about part numbers, illustrations, and hardware.

Group Parts Lists. Lists the part numbers of parts in the groups.

Number System Significance

This manual uses the following numbering systems:

Group Number. A unique number representing a parts group needed to assemble a generator set function. For example, Group 1 is the Cylinder Head Group.

Part Number. The part number identifies an individual assembly, subassembly, component, or accessory kit.

Illustrations

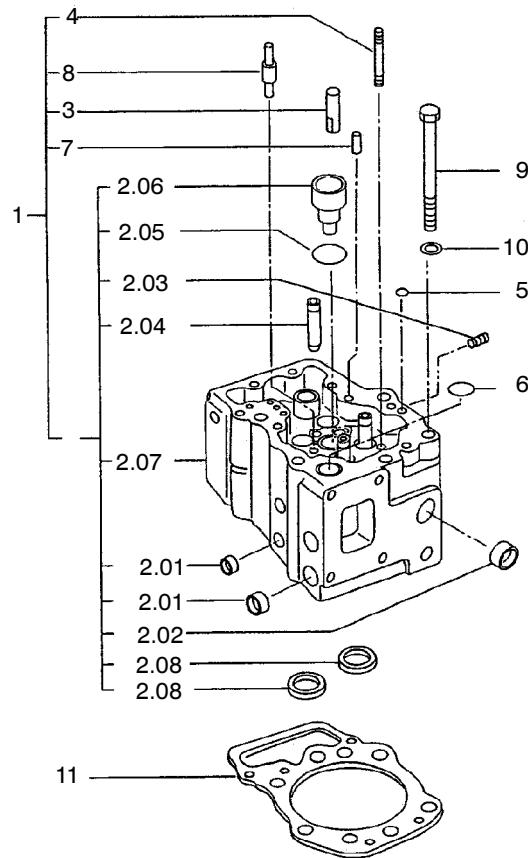
Illustrations (or exploded-view drawings) best representing the widest range of variations accompany most groups in this manual. Illustrations do not depict all details and may not show all parts. Do not use illustrations for assembly or disassembly instructions.

How to Find Part Numbers

Use the following steps to locate a service replacement part.

1. **Identify the group** most likely to include the service part number.
2. **Page forward to locate the group** identified in step 1 or find the appropriate page in the Table of Contents.
3. **Find the part on the illustration** and note the item number of the part or **find the part description in the parts list.**

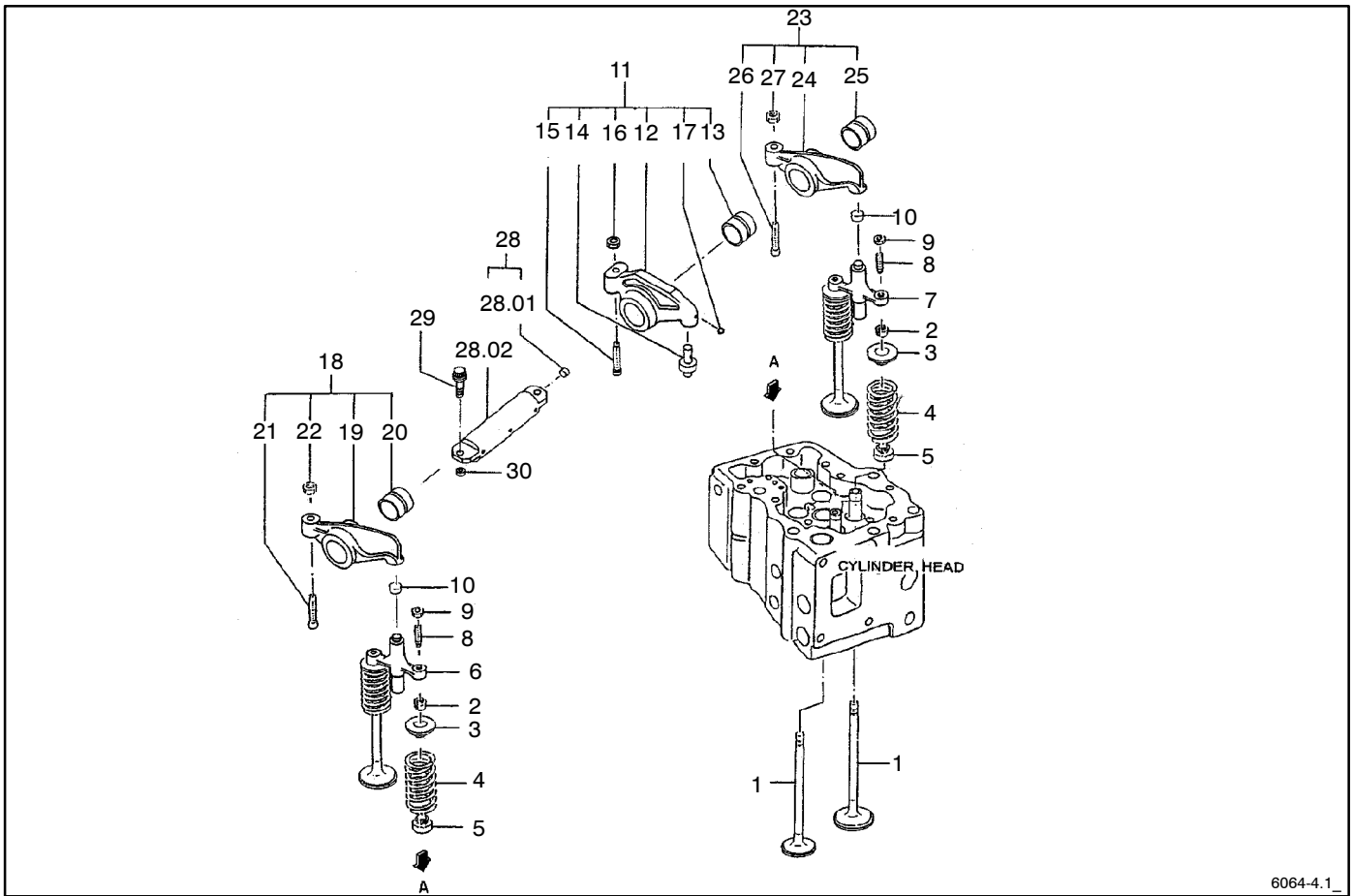
Group 1: Cylinder Head



6064-1_

Item	Part Number	Description	Quantity
			Variation Number
			1
1	GM14820	Head assembly, cylinder	12
2	X	Head subassembly, cylinder	12
2.01	GM14490	Cap, sealing	72
2.02	GM14491	Cap, sealing	12
2.03	GM14500	Plug	24
2.04	GM14569	Guide, valve	48
2.05	GM14817	O-ring	12
2.06	GM14819	Tube, copper	12
2.07	X	Cylinder head	12
2.08	GM14815	Seat, valve	24
3	GM14625	Guide	12
4	GM14915	Stud	36
5	GM15197	O-ring	12
6	GM15202	O-ring	12
7	GM15186	Pin	48
8	GM14816	Pin, dowel	12
9	GM14917	Bolt, cylinder head	72
10	GM14628	Washer	72
11	GM14818	Gasket, cylinder head	12

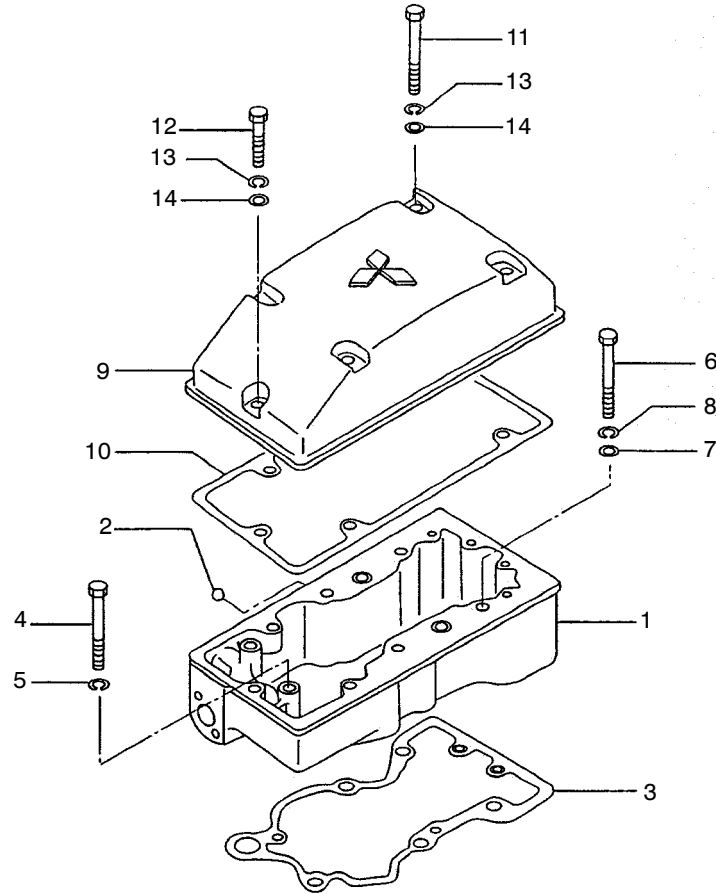
Group 4.1: Valve Mechanism



6064-4.1_

Item	Part Number	Description	Quantity
			Variation Number 1
1	GM14919	Valve	48
2	GM14570	Cotter	96
3	GM14918	Rotator	48
4	GM14821	Spring, valve stem	48
5	GM14626	Seal	48
6	GM14831	Bridge	12
7	GM16050	Bridge	12
8	GM14893	Screw	24
9	GM15166	Nut	24
10	GM14557	Cap	24
11	GM14828	Rocker assembly	24
12	X	Rocker unit	12
13	GM14836	Bushing, rocker	12
14	GM14823	Piece, rocker	12
15	GM14833	Screw, adjusting	12
16	GM15167	Nut	12
17	GM15251	Ball	12
18	GM14829	Rocker assembly	12
19	X	Rocker, exhaust	12
20	GM14837	Bushing, rocker	12
21	GM14892	Screw	12
22	GM15167	Nut	12
23	GM14830	Rocker assembly	12
24	X	Rocker, inlet	12
25	GM14837	Bushing, rocker	12
26	GM14892	Screw	12
27	GM15167	Nut	12
28	GM14835	Rocker shaft	12
28	GM14489	Cap, sealing	12
28	X	Shaft, rocker	12
29	GM14832	Bolt, rocker shaft	24
30	GM14824	Pin, dowel	24

Group 4.2: Rocker Cover

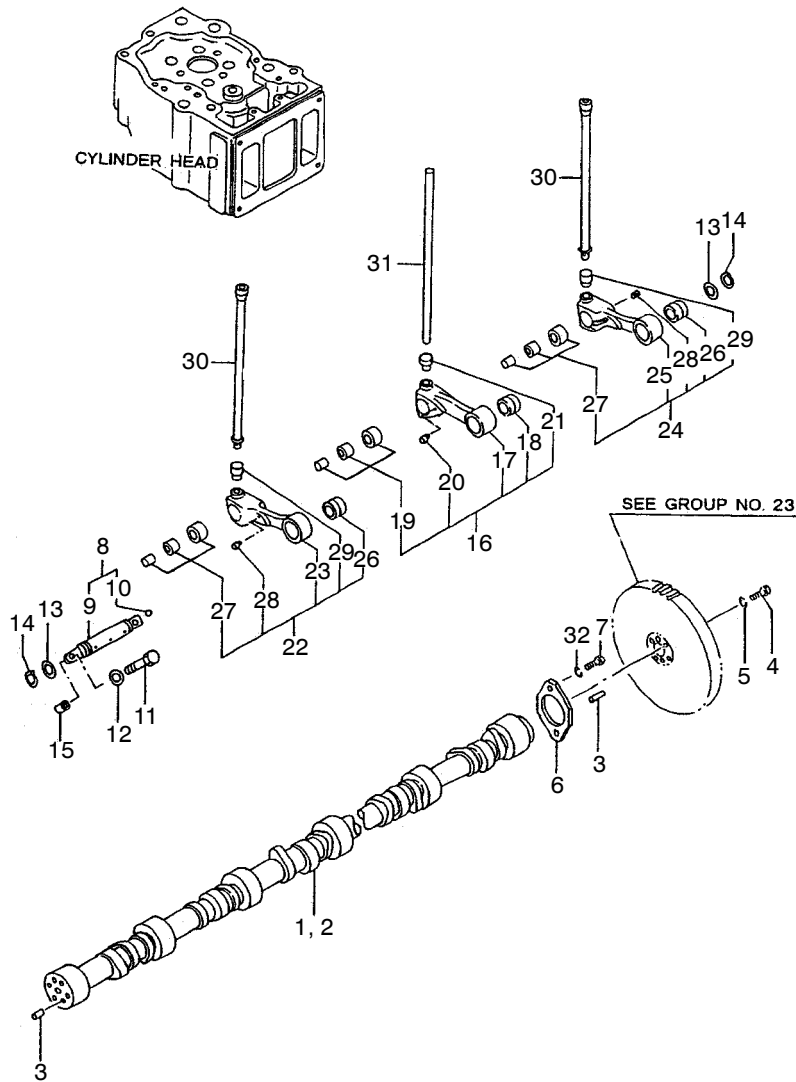


6064-4.2_

Item	Part Number	Description	Quantity
			Variation Number
1	GM14834	Case, rocker	12
2	GM15253	Ball	12
3	GM14826	Gasket, rocker	12
4	GM14539	Bolt	48
5	GM15179	Washer, spring	48
5	GM15179	Washer, spring	48
7	GM15175	Washer	48
8	GM15180	Washer, spring	48
9	GM14825	Cover, rocker	12
10	GM14822	Gasket, rocker	12
11	GM14538	Bolt	48
12	GM15103	Bolt	12
13	GM15179	Washer, spring	60
14	GM15174	Washer, plain	60

Notes

Group 5: Camshaft

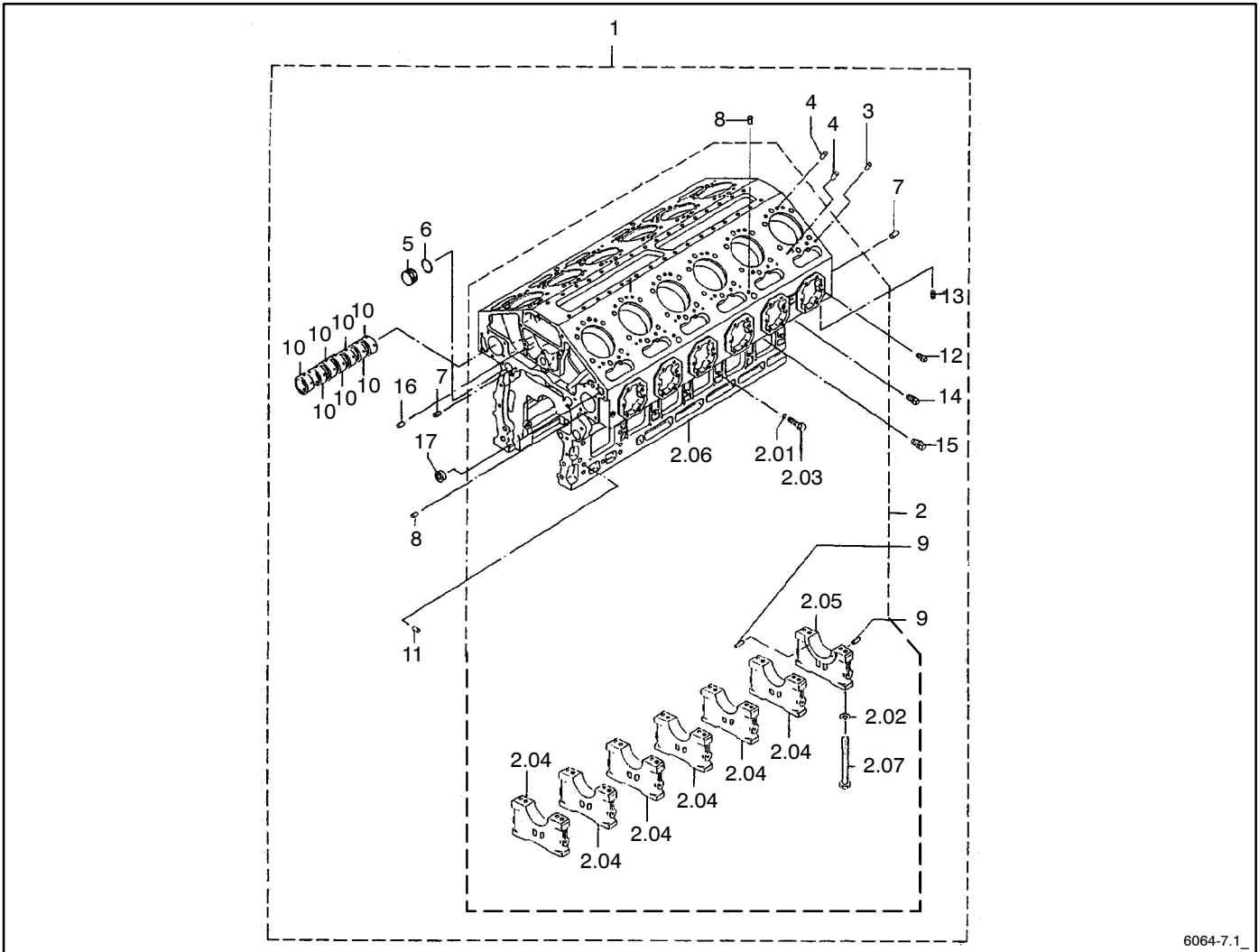


6064-5_

Group 5: Camshaft

Item	Part Number	Description	Quantity
			Variation Number 1
1	GM14655	Camshaft, RS	1
2	GM14656	Camshaft, LS	1
3	GM15187	Pin	6
4	GM15122	Bolt	12
5	GM15181	Washer, spring	12
6	GM14838	Plate, cam thrust	2
7	GM15109	Bolt	4
8	GM14847	Shaft, camfollower	12
9	GM14848	Shaft camfollower	12
10	GM15251	Ball	12
11	GM14845	Bolt, follower shaft	24
12	GM15004	Washer, barrel	24
13	GM14840	Spacer, camfollower	24
14	GM15217	Ring, snap	24
15	GM14916	Pin, dowel	24
16	GM14849	Follower assembly	12
17	X	Follower unit	12
18	GM14842	Bushing, follower	12
19	GM14841	Roller, tappet	24
20	GM14535	Screw, set	12
21	GM14827	Piece, rocker	12
22	GM14850	Follower assembly, inlet	12
23	X	Follower, inlet	12
24	GM14851	Follower assembly, exhaust	12
25	X	Follower, exhaust	12
26	GM14844	Bushing, follower	24
27	GM14843	Roller, tap	24
28	GM14535	Screw, set	48
29	GM14827	Piece, rocker	24
30	GM14839	Rod, push	24
31	GM14846	Rod, push	12
32	GM15180	Washer, spring	4

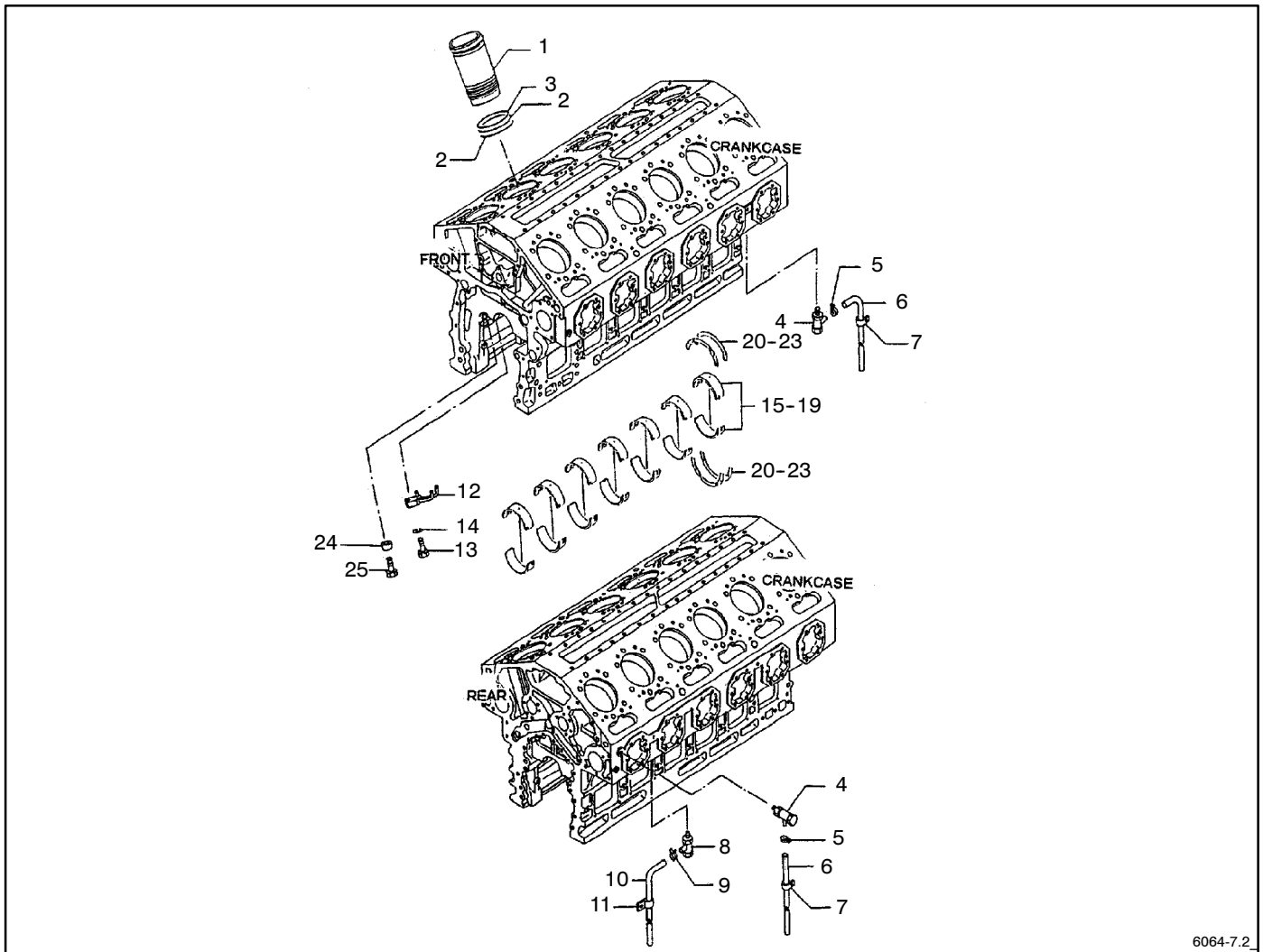
Group 7.1: Crankcase Assembly



6064-7.1

Item	Part Number	Description	Quantity
			Variation Number
			1
1	GM14661	Crankcase	1
2	X	Crankcase subassembly	1
2.01	GM14507	Seal	14
2.02	GM14571	Washer	28
2.03	GM14636	Bolt	14
2.04	X	Cap, metal	6
2.05	X	Cap, metal	1
2.06	X	Crankcase	1
2.07	GM14917	Bolt	28
3	GM14563	Pin, dowel	12
4	GM15187	Pin	24
5	GM14610	Plate	1
6	GM14503	O-ring	1
7	GM14562	Pin, dowel	4
8	GM15186	Pin	6
9	GM14619	Pin, dowel	6
10	GM14854	Bushing, camshaft	14
11	GM15190	Pin, dowel	4
12	GM15249	Plug	16
13	GM15250	Plug	15
14	GM14498	Plug	4
15	GM14499	Plug	2
16	GM14462	Pin, dowel	2
17	GM14780	Seal, oil	2

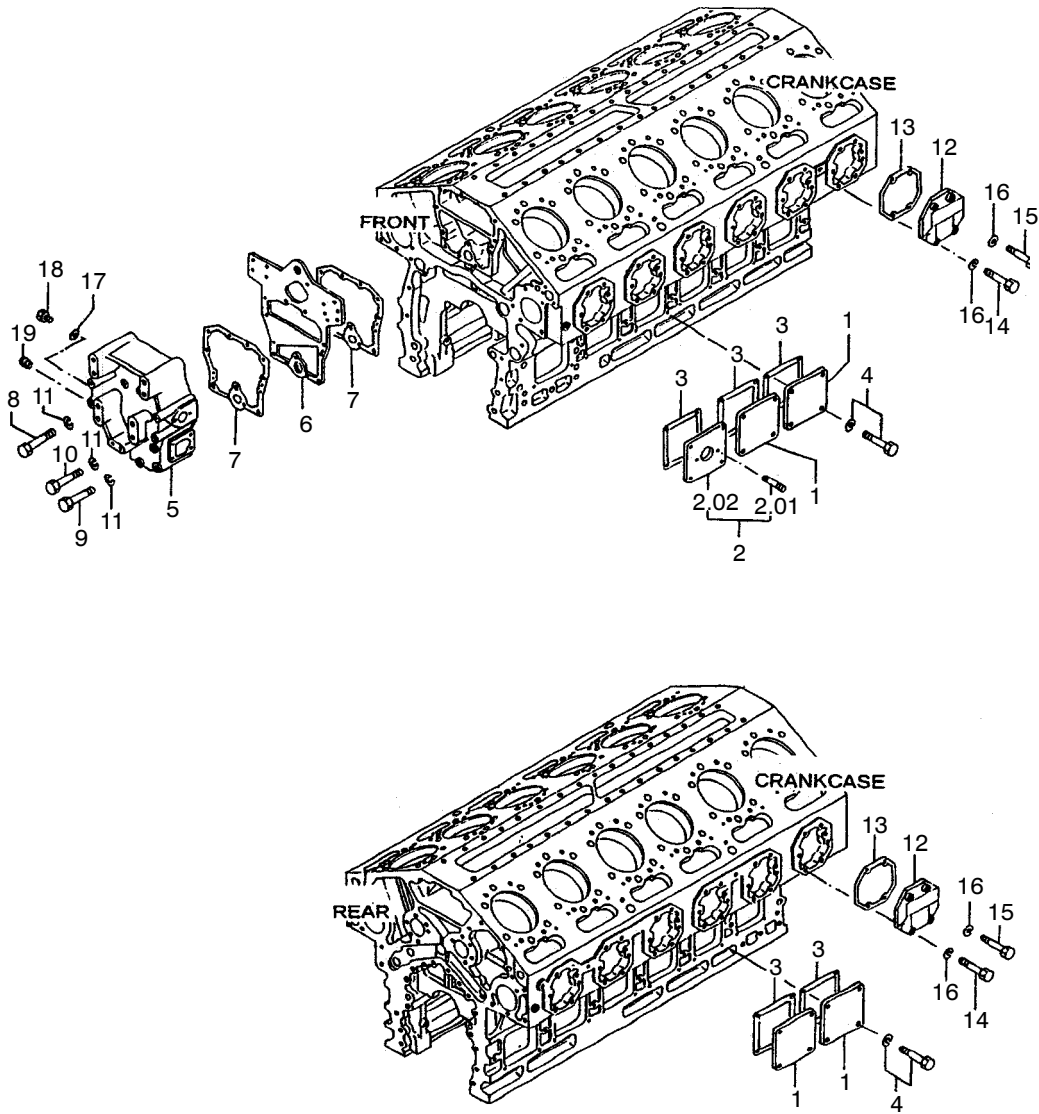
Group 7.2: Crankcase Bearings



6064-7.2

Item	Part Number	Description	Quantity
			Variation Number 1
1	GM14637	Liner, cylinder	12
2	GM14572	O-ring	24
3	GM14573	O-ring	12
4	GM14622	Cock, drain	2
5	GM14558	Clamp	2
6	GM14620	Pipe, drain	2
7	GM15082	Clip	2
8	GM14622	Cock, drain	1
9	GM14558	Clamp	1
10	GM14620	Pipe, drain	1
11	GM15082	Clip	1
12	GM14855	Nozzle, oil	12
13	GM15261	Valve	12
14	GM14887	Washer	12
15	GM14638	Bearing, main (std.)	7
16	GM14639	Bearing, main (0.25 undersized)	7
17	GM14640	Bearing, main (0.50 undersized)	7
18	GM14641	Bearing, main (0.75 undersized)	7
19	GM14642	Bearing, main (1.00 undersized)	7
20	GM14643	Thrust bearings (std.)	4
21	GM14644	Thrust bearings (0.25 oversized)	4
22	GM14645	Thrust bearings (0.50 oversized)	4
23	GM14646	Thrust bearings (0.75 oversized)	4
24	GM15083	Washer	12
25	GM15131	Bolt	12

Group 7.3: Crankcase Covers

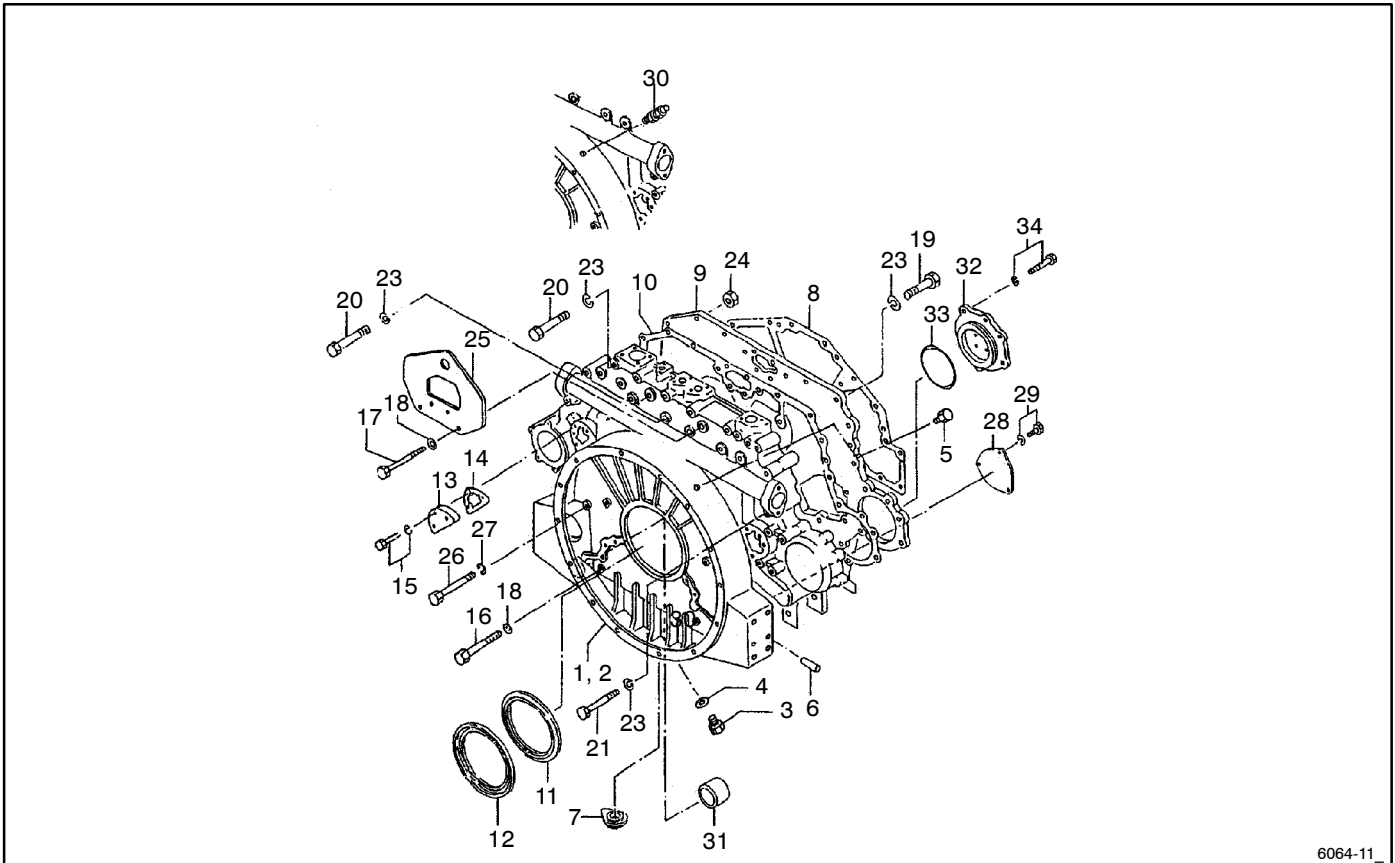


6064-7.3_

Group 7.3: Crankcase Covers

Item	Part Number	Description	Quantity
			Variation Number 1
1	GM14564	Cover, side	11
2	GM14658	Cover, side	1
2.01	GM15136	Stud	2
2.02	X	Cover, side	1
3	GM14565	Packing	12
4	GM15142	Bolt w/washer	44
5	GM14659	Adapter	1
6	GM14662	Hanger, plate	1
7	GM14657	Packing, adapter	2
8	GM14470	Bolt	4
9	GM14546	Bolt	7
10	GM15120	Bolt	2
11	GM15180	Washer, spring	13
12	GM14852	Cover, cam room	12
13	GM14853	Packing, cam cover	12
14	GM15113	Bolt	15
15	GM15114	Bolt	22
16	GM15180	Washer, spring	37
17	GM14532	Washer, sealing	1
18	GM15239	Plug, drain	1
19	GM14498	Plug	1

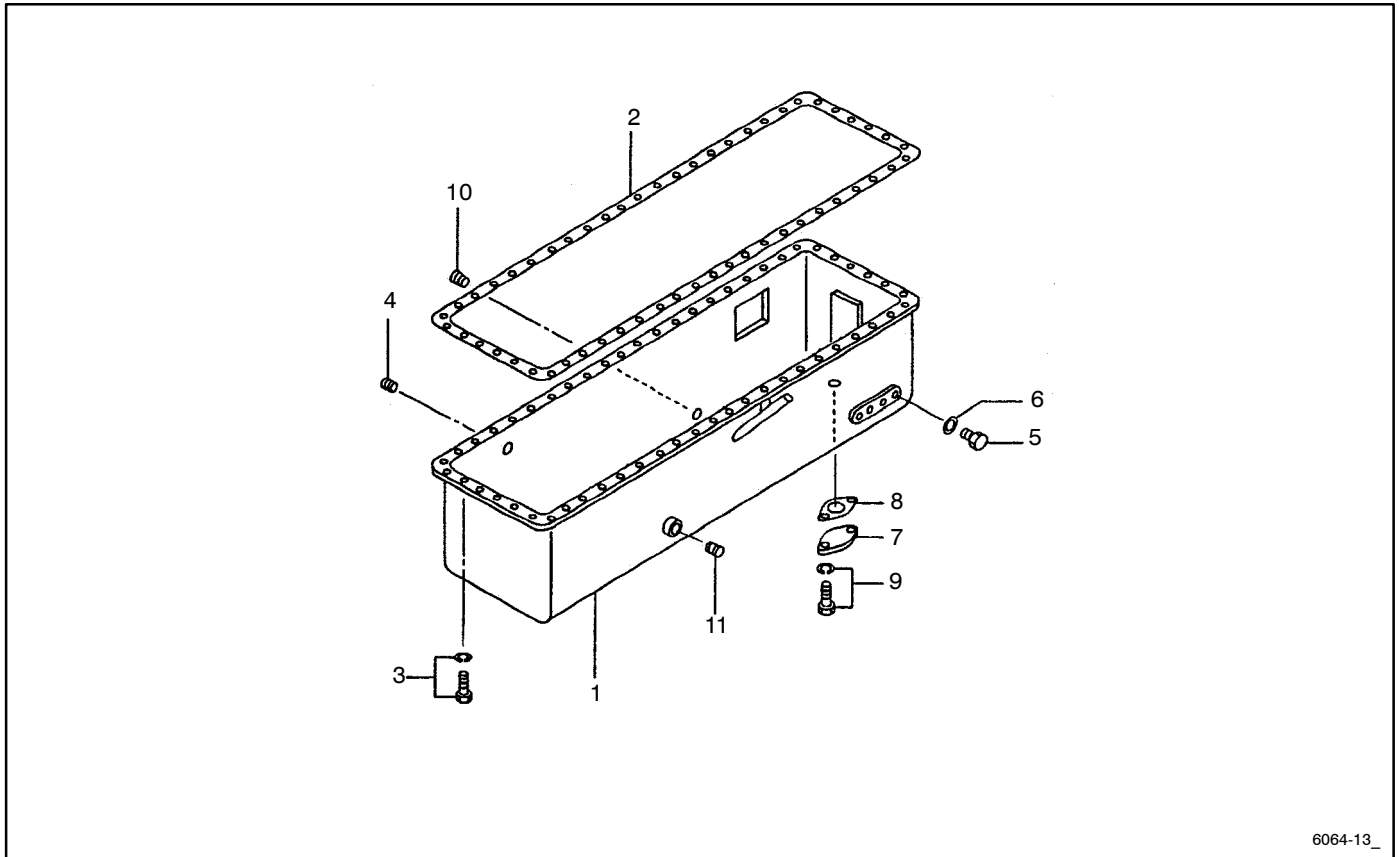
Group 11: Timing Gear Case



6064-11

Item	Part Number	Description	Quantity
			Variation Number
			1
1	GM14667	Case, timing gear	1
2	Not used		1
3	GM15241	Plug, drain	3
4	GM14534	Washer, sealing	3
5	GM14901	Plug	3
6	GM15188	Pin, dowel	4
7	GM14459	Plug	1
8	GM14665	Packing, rear	1
9	GM14666	Plate, rear	1
10	GM14663	Packing, rear	1
11	GM14988	Slinger	1
12	GM14958	Oil seal	1
13	GM14959	Cover	2
14	GM14957	Packing	2
15	GM15149	Bolt w/washer	6
16	GM14549	Bolt	10
17	GM14550	Bolt	4
18	GM14559	Washer	14
19	GM15108	Bolt	50
20	GM14543	Bolt	2
21	GM14542	Bolt	3
22	GM14544	Bolt	6
23	GM15180	Washer, spring	61
24	GM15171	Nut, jam	3
25	GM14660	Hanger, rear	1
26	GM14546	Bolt	3
27	GM15180	Washer, spring	3
28	Not used		1
29	Not used		3
30	GM14485	Pickup	1
31	GM14521	Bushing	1
32	GM14664	Cover	1
33	GM15084	O-ring	1
34	GM15151	Bolt	5

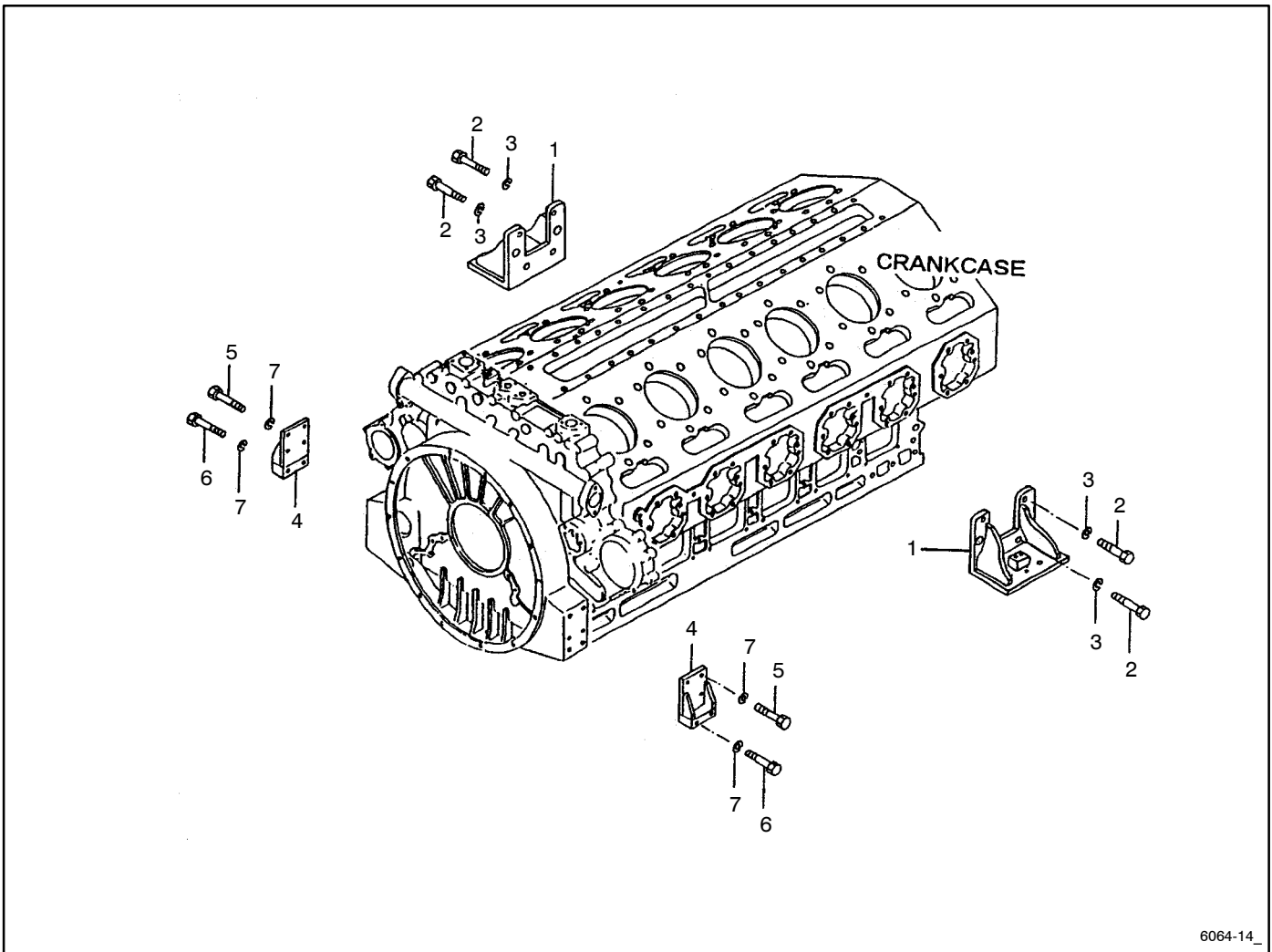
Group 13: Oil Pan



6064-13_

Item	Part Number	Description	Quantity
			Variation Number
1	GM14668	Pan, oil	1
2	GM14611	Packing	1
3	GM15142	Bolt w/washer	54
4	GM15243	Plug	1
5	GM15239	Plug, drain	4
6	GM14532	Washer, sealing	4
7	GM14895	Cover	1
8	GM14894	Packing	1
9	GM15141	Bolt	2
10	GM15244	Plug, tapered	1
11	GM15245	Plug	1

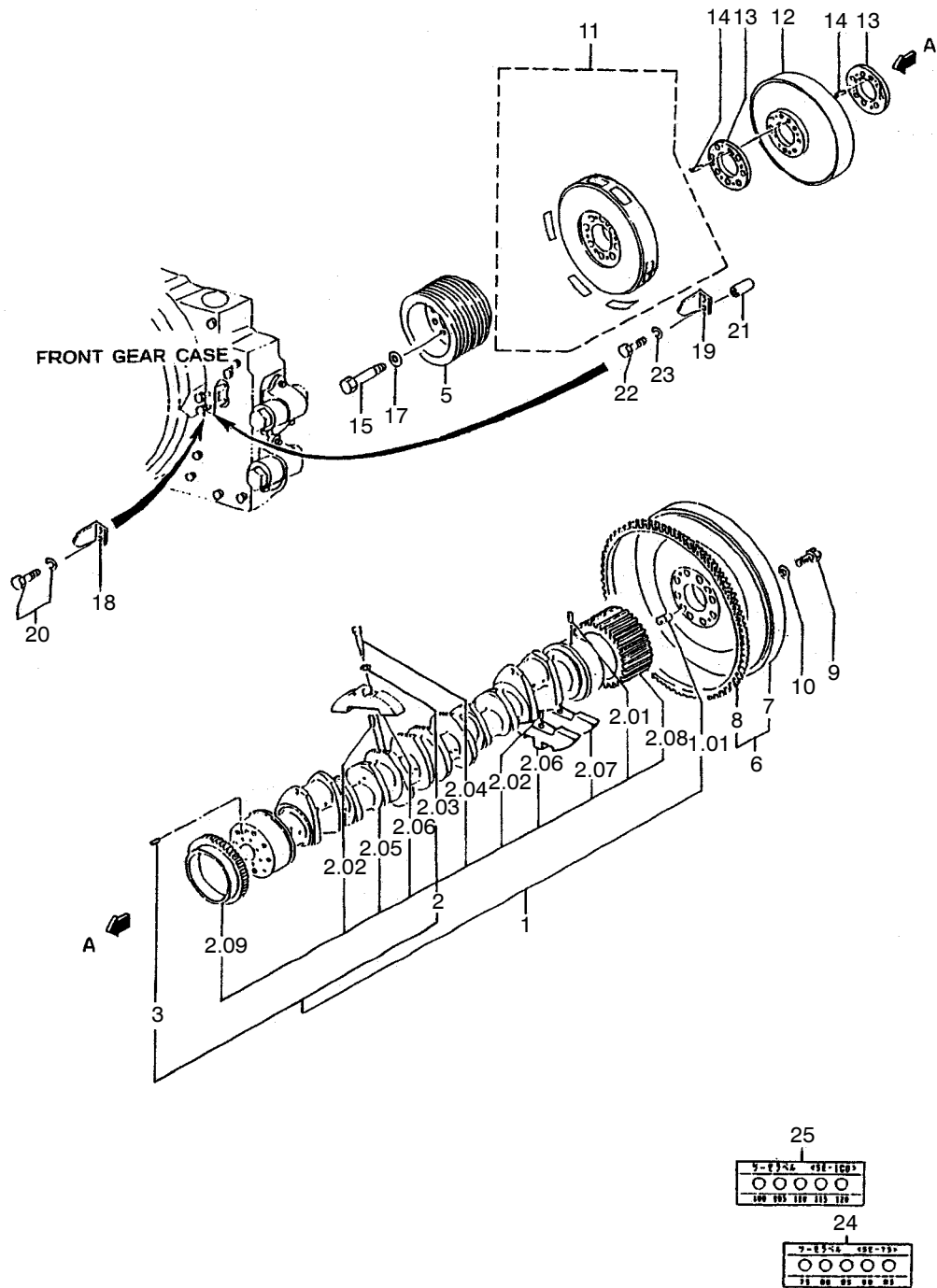
Group 14: Engine Mounting



6064-14_

Item	Part Number	Description	Quantity
			Variation Number
1	GM14669	Bracket, mounting	2
2	GM15125	Bolt	8
3	GM15184	Washer, spring	8
4	GM14612	Bracket	2
5	GM15132	Bolt	4
6	GM15133	Bolt	4
7	GM15183	Washer, lock	8

Group 20: Crankshaft, Flywheel, and Damper

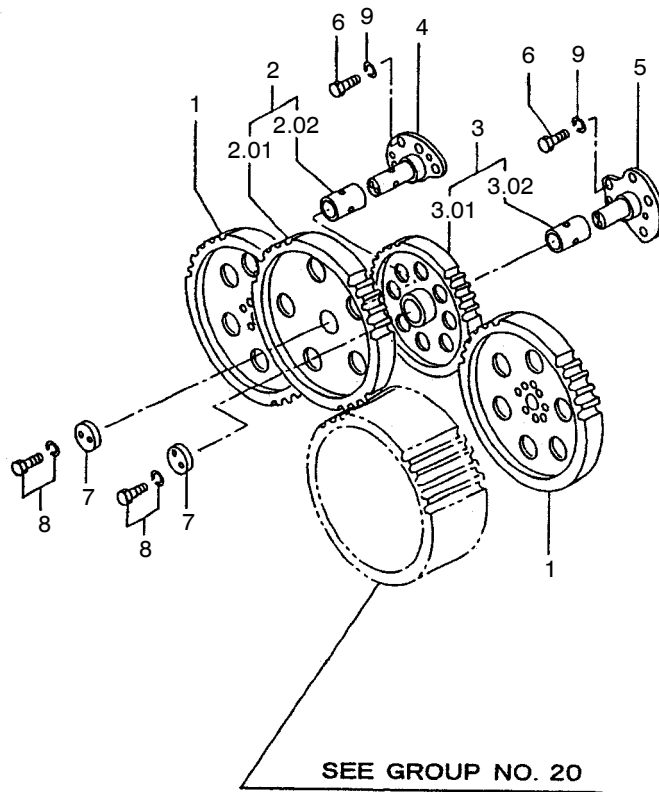


6064-20_

Group 20: Crankshaft, Flywheel, and Damper

Item	Part Number	Description	Quantity
			Variation Number
			1
1	GM14670	Crankshaft	1
1.01	GM14582	Pin, dowel	2
2	X	Crankshaft subassembly	1
2.01	GM15185	Pin, dowel	1
2.02	GM15189	Pin, dowel	12
2.03	GM14559	Washer	24
2.04	GM14566	Bolt	24
2.05	X	Crankshaft	1
2.06	GM14671	Weight, balance	11
2.07	GM14672	Weight, balance	1
2.08	GM14678	Gear, crankshaft	1
2.09	GM14965	Gear	1
3	GM14987	Pin, dowel	2
5	GM14683	Pulley, damper	1
6	GM14673	Flywheel assembly	1
7	X	Flywheel	1
8	GM14583	Gear, ring	1
9	GM15126	Bolt	9
10	GM14628	Washer	9
11	GM14674	Damper assembly	1
12	GM14961	Damper assembly	1
13	GM14962	Spacer, damper	2
14	GM14987	Pin, dowel	2
15	GM14551	Bolt	8
17	GM14628	Washer	8
19	GM14960	Pointer	1
21	GM14990	Spacer	2
22	GM15116	Bolt	2
23	GM15180	Washer, spring	2
24	GM14584	Label set, thermo 75-95 deg. C	1
25	GM14585	Label set, thermo 100-120 deg. C	1

Group 23: Timing Gear

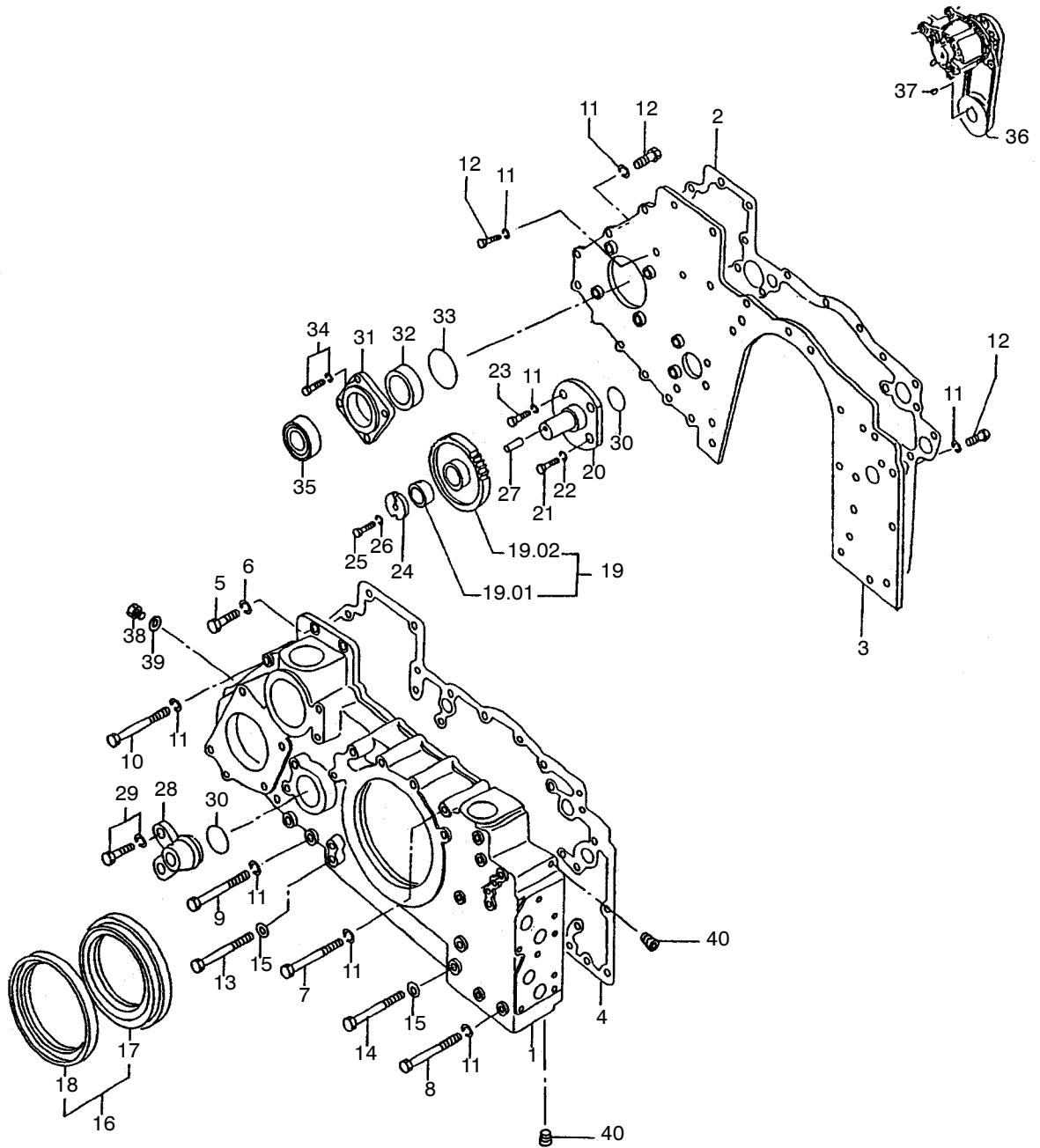


6064-23

Item	Part Number	Description	Quantity
			Variation Number
1	GM14677	Gear, camshaft	2
2	GM14676	Gear assembly, idler	1
2.01	X	Gear, idler	1
2.02	GM14857	Bushing	1
3	GM14675	Gear assembly, idler	1
3.01	X	Gear, idler	1
3.02	GM14896	Bushing	1
4	GM14858	Shaft, idler	1
5	GM14679	Shaft, idler	1
6	GM15108	Bolt	8
7	GM14568	Plate	2
8	GM15140	Bolt	4
9	GM15180	Washer, spring	8

Notes

Group 25.1: Accessory Drive, Front

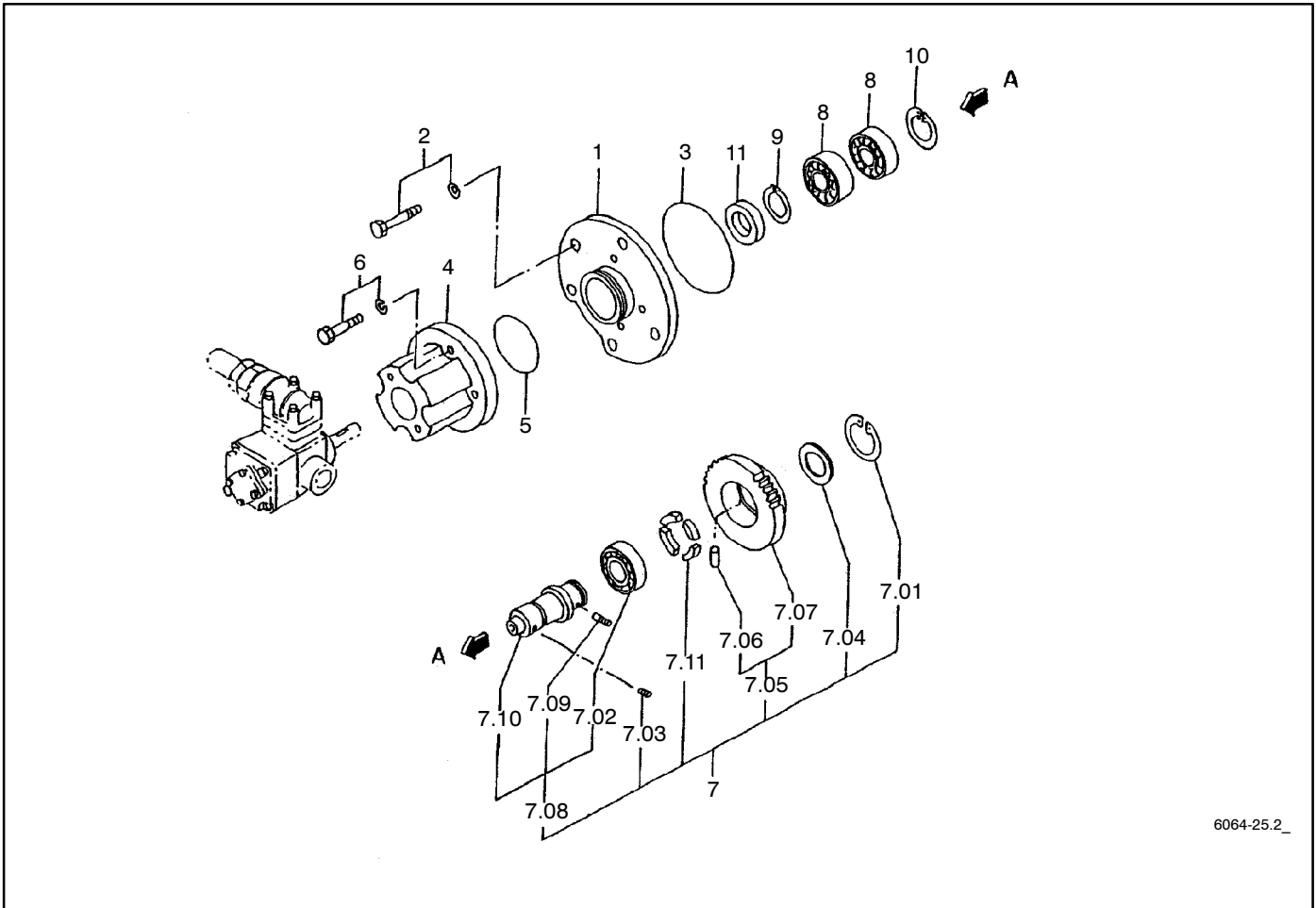


6064-25.1_

Group 25.1: Accessory Drive, Front

Item	Part Number	Description	Quantity
			Variation Number 1
1	GM14687	Case, gear front	1
2	GM14680	Packing	1
3	GM14686	Plate, front	1
4	GM14681	Packing	1
5	GM15111	Bolt	2
6	GM15180	Washer, spring	2
7	GM14545	Bolt	12
8	GM14543	Bolt	2
9	GM15120	Bolt	2
10	GM15121	Bolt	1
11	GM15180	Washer, spring	34
12	GM15107	Bolt	15
13	GM15124	Bolt	2
14	GM14548	Bolt	2
15	GM14559	Washer	4
16	GM14967	Seal assembly, front	1
17	GM14902	Slinger	1
18	GM14920	Seal, oil	1
19	GM14964	Gear assembly, idler	1
19.01	GM14896	Bushing	1
19.02	X	Gear, idler	1
20	GM14684	Shaft, idler	1
21	GM15109	Bolt	2
22	GM15180	Washer, spring	2
23	GM15107	Bolt	2
24	GM14685	Plate, thrust	1
25	GM15123	Bolt	1
26	GM15182	Washer, spring	1
27	GM15186	Pin	1
28	GM14963	Cover	1
29	GM15150	Bolt	2
30	GM14517	O-ring	2
31	GM14682	Cover, bearing	1
32	GM15195	Seal, oil	1
33	GM15214	O-ring	1
34	GM15150	Bolt	4
35	GM15259	Bearing, ball	2
36	GM14966	Pulley, alternator	1
37	GM15192	Key, woodruff	1
38	GM15240	Plug, drain	1
39	GM14533	Washer, sealing	1
40	GM14497	Plug, tapered	2

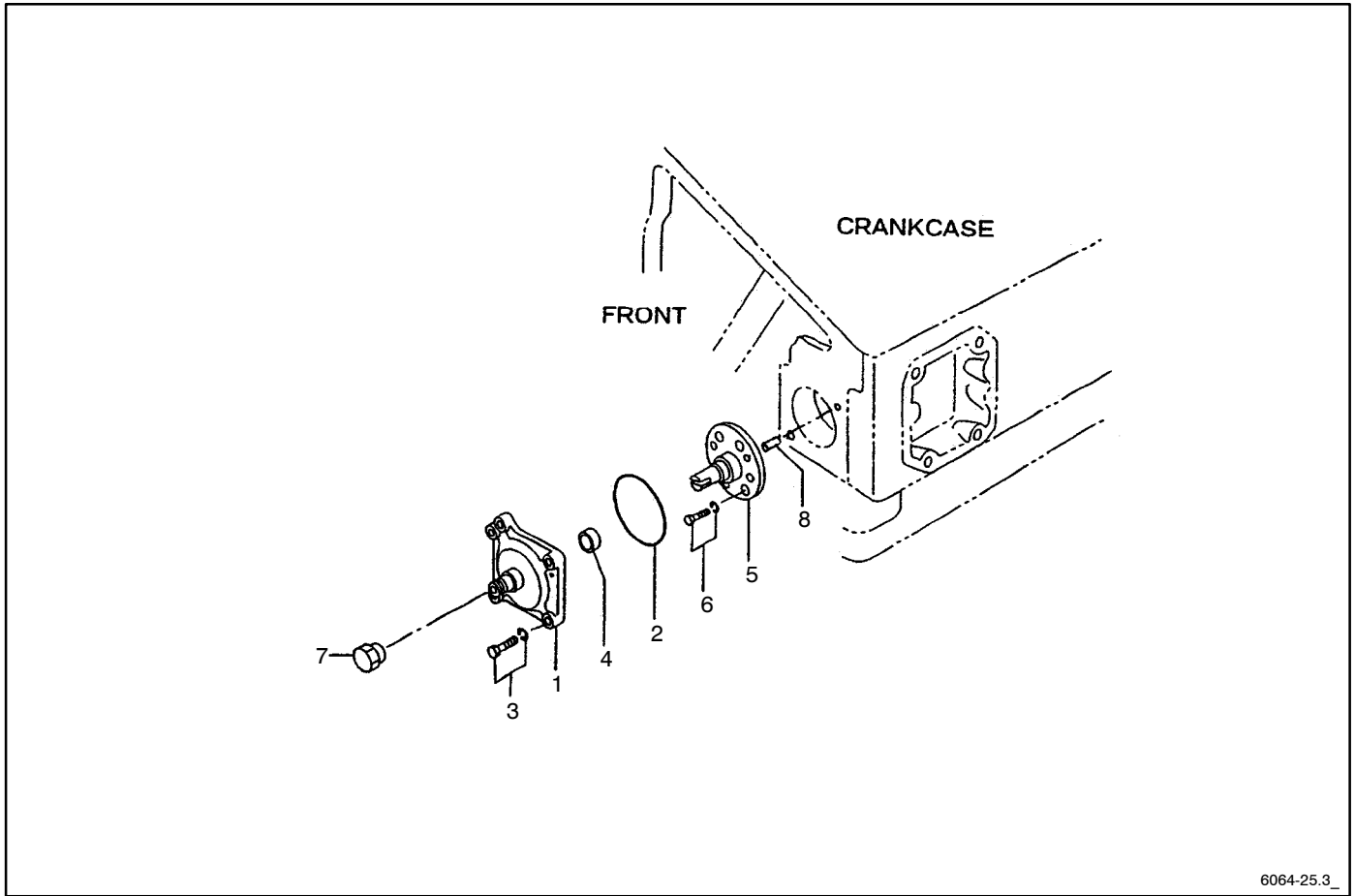
Group 25.2: Accessory Drive, Rear



6064-25.2_

Item	Part Number	Description	Quantity
			Variation Number
1	GM14866	Case, drive	1
2	GM15151	Bolt	5
3	GM14520	O-ring	1
4	GM14865	Case, oil seal	1
5	GM14518	O-ring	1
6	GM15143	Bolt	4
7	GM14862	Gear assembly, drive	1
7.01	GM15218	Ring, snap	1
7.02	GM15255	Bearing, ball	1
7.03	GM14536	Screw set	1
7.04	GM14588	Washer	1
7.05	GM14863	Gear assembly, drive	1
7.06	GM14587	Pin	2
7.07	X	Gear, drive	0
7.08	GM14864	Shaft assembly, drive	0
7.09	GM14586	Pin	2
7.1	X	Shaft, drive	1
7.11	GM14899	Rubber	4
8	GM15255	Bearing, ball	2
9	GM15218	Ring, snap	1
10	GM15222	Ring, snap	1
11	GM15194	Seal, oil	1

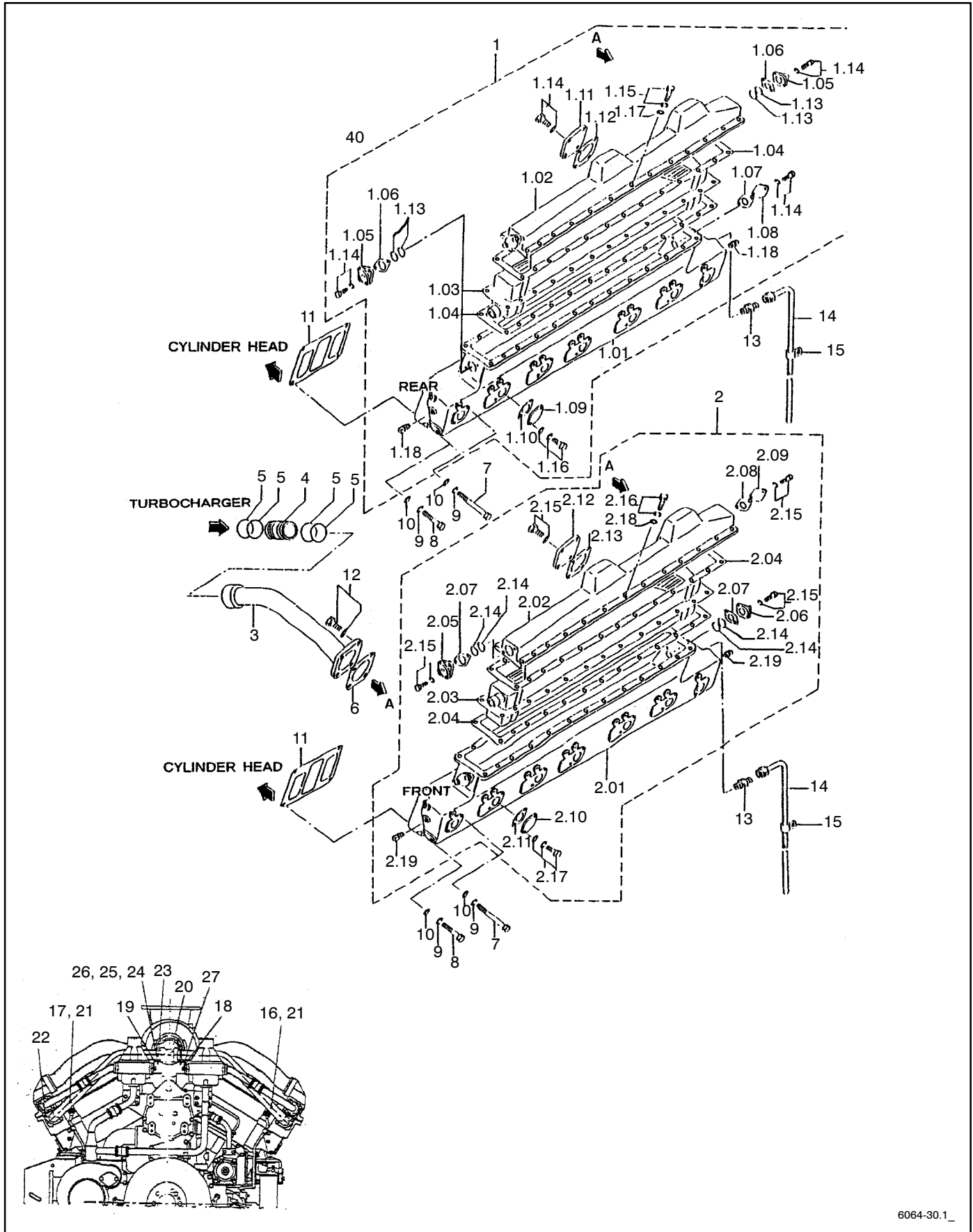
Group 25.3: Hourmeter Drive



6064-25.3_

Item	Part Number	Description	Quantity
			Variation Number
1	GM14859	Case, oil seal	1
2	GM14520	O-ring	1
3	GM15150	Bolt	4
4	GM15193	Seal, oil	1
5	GM14860	Coupling	1
6	GM15149	Bolt w/washer	4
7	GM14465	Nut, cap	1
8	GM15186	Pin	2

Group 30.1: Intake System

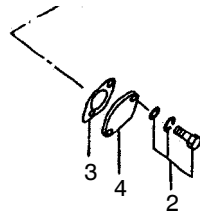


6064-30.1_

Group 30.1: Intake System

Item	Part Number	Description	Quantity
			Variation Number 1
1	GM14688	Cooler assembly, air RS	1
1.01	GM14697	Manifold, inlet	1
1.02	GM14690	Cover, air cooler	1
1.03	GM14869	Element, air cooler	1
1.04	GM14889	Gasket	2
1.05	GM14589	Connector	2
1.06	GM14590	Gasket	2
1.07	GM14615	Packing	2
1.08	GM14616	Flange	2
1.09	GM14627	Cover	6
1.1	GM14922	Packing	6
1.11	GM14868	Cover	1
1.12	GM14691	Gasket	1
1.13	GM14504	O-ring	4
1.14	GM15159	Bolt w/washer	12
1.15	GM15161	Bolt w/washer	26
1.16	GM15157	Bolt	12
1.17	GM15174	Washer, plain	26
1.18	GM15246	Plug, tapered	3
2	GM14689	Cooler assembly, air LS	1
2.01	GM14697	Manifold, inlet	1
2.02	GM14690	Cover, air cooler	1
2.03	GM14869	Element, air cooler	1
2.04	GM14889	Gasket	2
2.05	GM14589	Connector	1
2.06	GM14614	Connector	1
2.07	GM14590	Gasket	2
2.08	GM14615	Packing	2
2.09	Not used		2
2.1	GM14627	Cover	6
2.11	GM14922	Packing	6
2.12	GM14868	Cover	1
2.13	GM14691	Gasket	1
2.14	GM14504	O-ring	4
2.15	GM15159	Bolt w/washer	8
2.16	GM15161	Bolt w/washer	26
2.17	GM15157	Bolt	12
2.18	GM15174	Washer, plain	26
2.19	GM15246	Plug, tapered	3
3	GM14698	Duct, inlet	2
4	GM14696	Joint	2
5	GM14648	O-ring	8
6	GM14691	Gasket	2
7	GM14541	Bolt	24
8	GM14539	Bolt	24
9	GM15179	Washer, spring	48
10	GM15174	Washer, plain	48
11	GM14867	Packing	12
12	GM15161	Bolt w/washer	8
13	GM15230	Connector	2
14	GM14997	Pipe, oil	2
15	GM14560	Clamp	2
16	GM14692	Pipe, air balance	1
17	GM14693	Pipe, air balance	1
18	GM14694	Stay, pipe	1
19	GM14695	Stay, pipe	1
20	GM14494	Coupling	1
21	GM14590	Packing	2
22	GM15148	Bolt w/washer	4
23	GM14472	U-bolt	2
24	GM15163	Nut	4
25	GM15178	Washer, spring	4
26	GM15173	Washer, plain	4
27	GM15148	Bolt w/washer	4

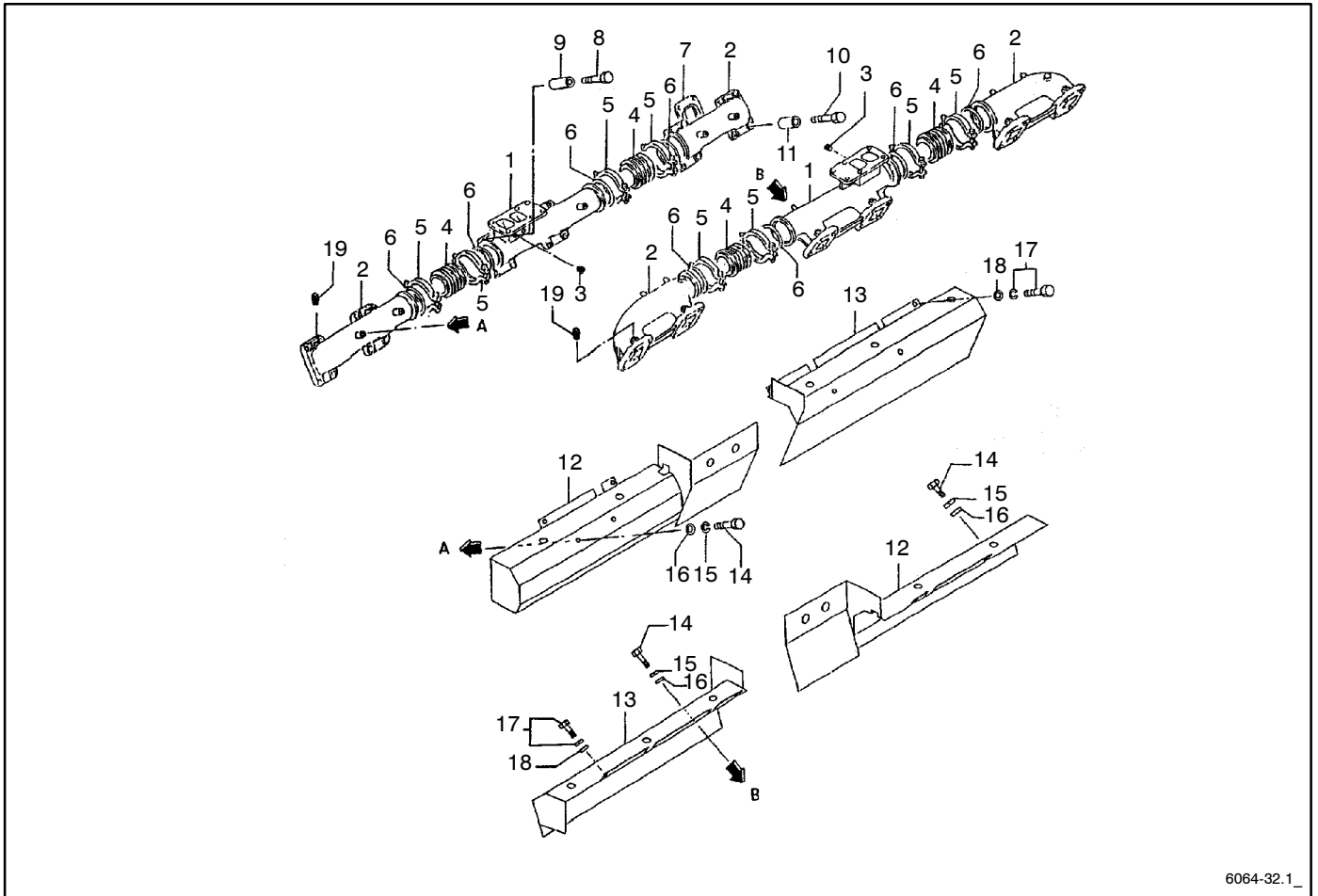
Group 30.2: Air Heater



6064-30.2_

Item	Part Number	Description	Quantity
			Variation Number
1	Not used	Heater, air	12
2	GM15157	Bolt	24
3	GM14922	Packing	12
4	GM14627	Cover	12

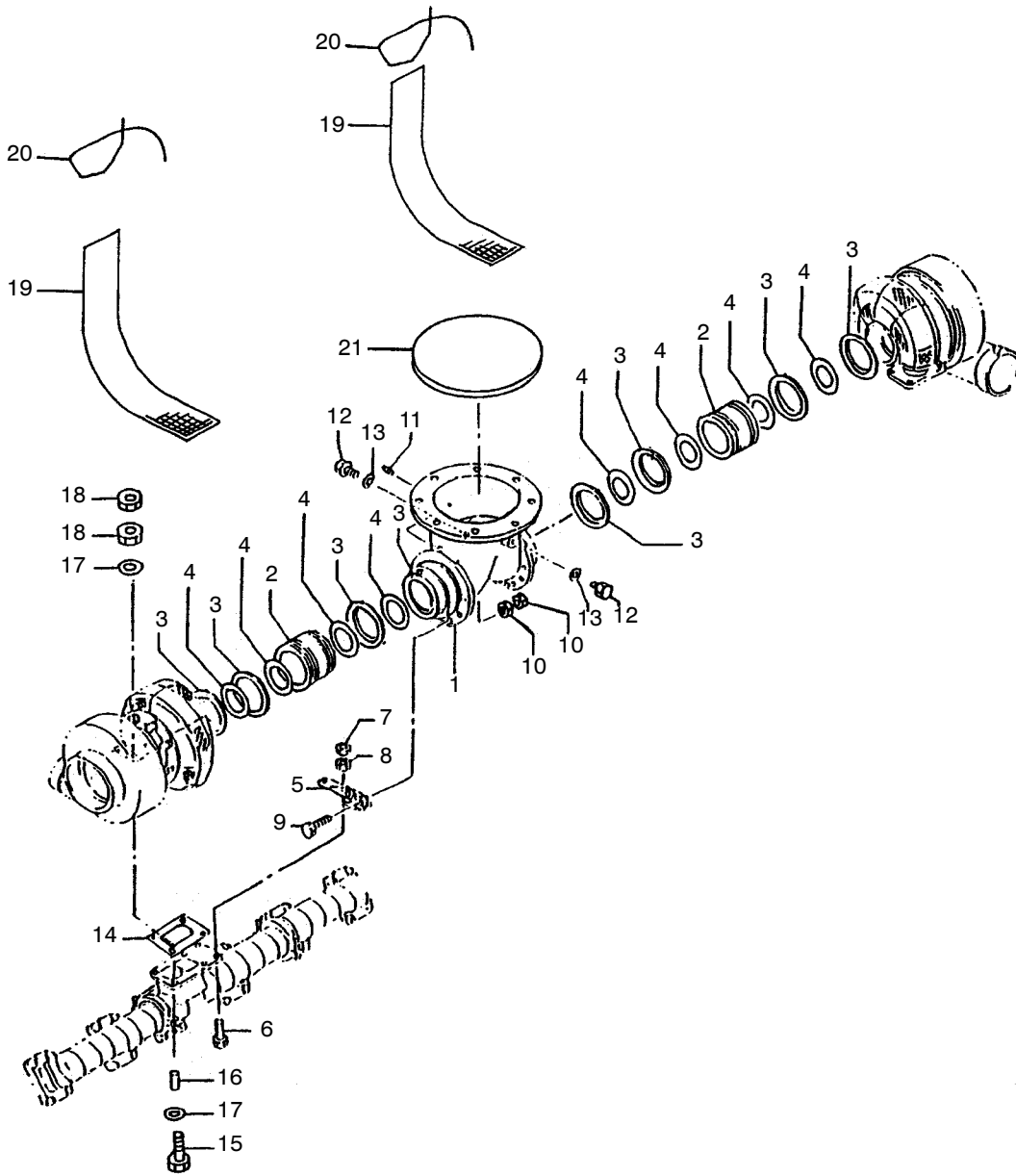
Group 32.1: Exhaust System



6064-32.1_

Item	Part Number	Description	Quantity
			Variation Number 1
1	GM14706	Manifold, exhaust	2
2	GM14707	Manifold, exhaust	4
3	GM15242	Plug, tapered	2
4	GM14923	Joint, flexible	4
5	GM15081	Coupling assembly	8
6	GM14592	Gasket joint	8
7	GM14700	Gasket	12
8	GM14595	Bolt	5
9	GM14464	Spacer	5
10	GM14596	Bolt	43
11	GM14591	Spacer	43
12	GM14708	Insulator	2
13	GM14709	Insulator	2
14	GM14594	Bolt	10
15	GM15179	Washer, spring	10
16	GM15174	Washer, plain	10
17	GM15139	Bolt w/washer	8
18	GM15174	Washer, plain	8
19	GM15246	Plug, tapered	20

Group 32.2: Exhaust Elbow

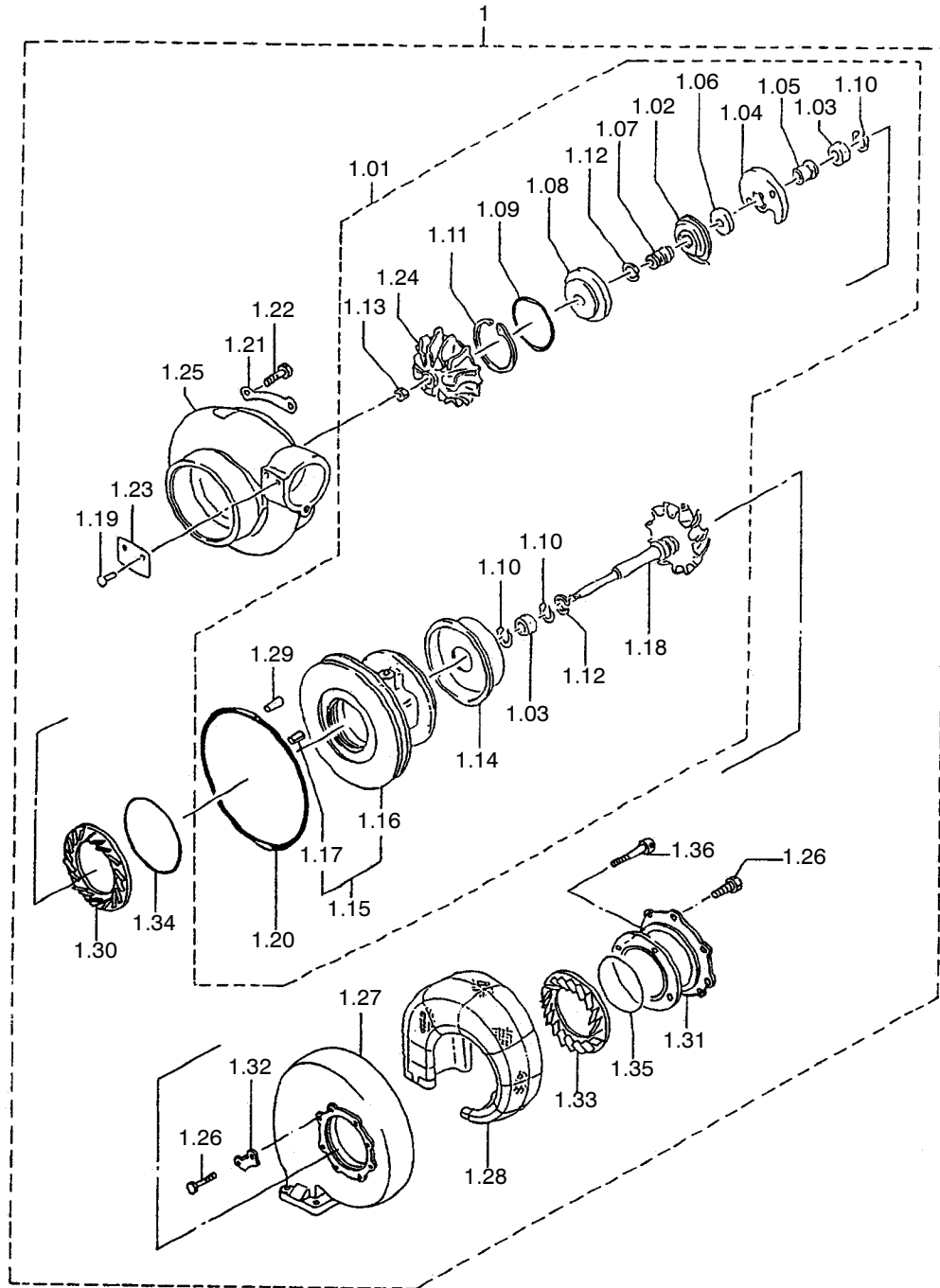


6064-32.2_

Group 32.2: Exhaust Elbow

Item	Part Number	Description	Quantity
			Variation Number 1
1	GM14701	Pipe, exhaust	1
2	GM14705	Joint	2
3	GM14703	Ring, seal outer	8
4	GM14704	Ring, seal inner	8
5	GM14702	Bracket	2
6	GM14552	Bolt	4
7	GM15165	Nut	4
8	GM15171	Nut, jam	4
9	GM15111	Bolt	4
10	GM15165	Nut	8
11	GM15246	Plug, tapered	1
12	GM14994	Plug	2
13	GM15229	Gasket	2
14	GM14699	Gasket	2
15	GM14593	Bolt	8
16	GM14968	Spacer	8
17	GM14969	Washer	16
18	GM15087	Nut	16
19	GM14890	Insulator, heat	2
20	GM14900	Wire	2
21	GM14597	Cover	1

Group 33: Turbocharger



6064-33

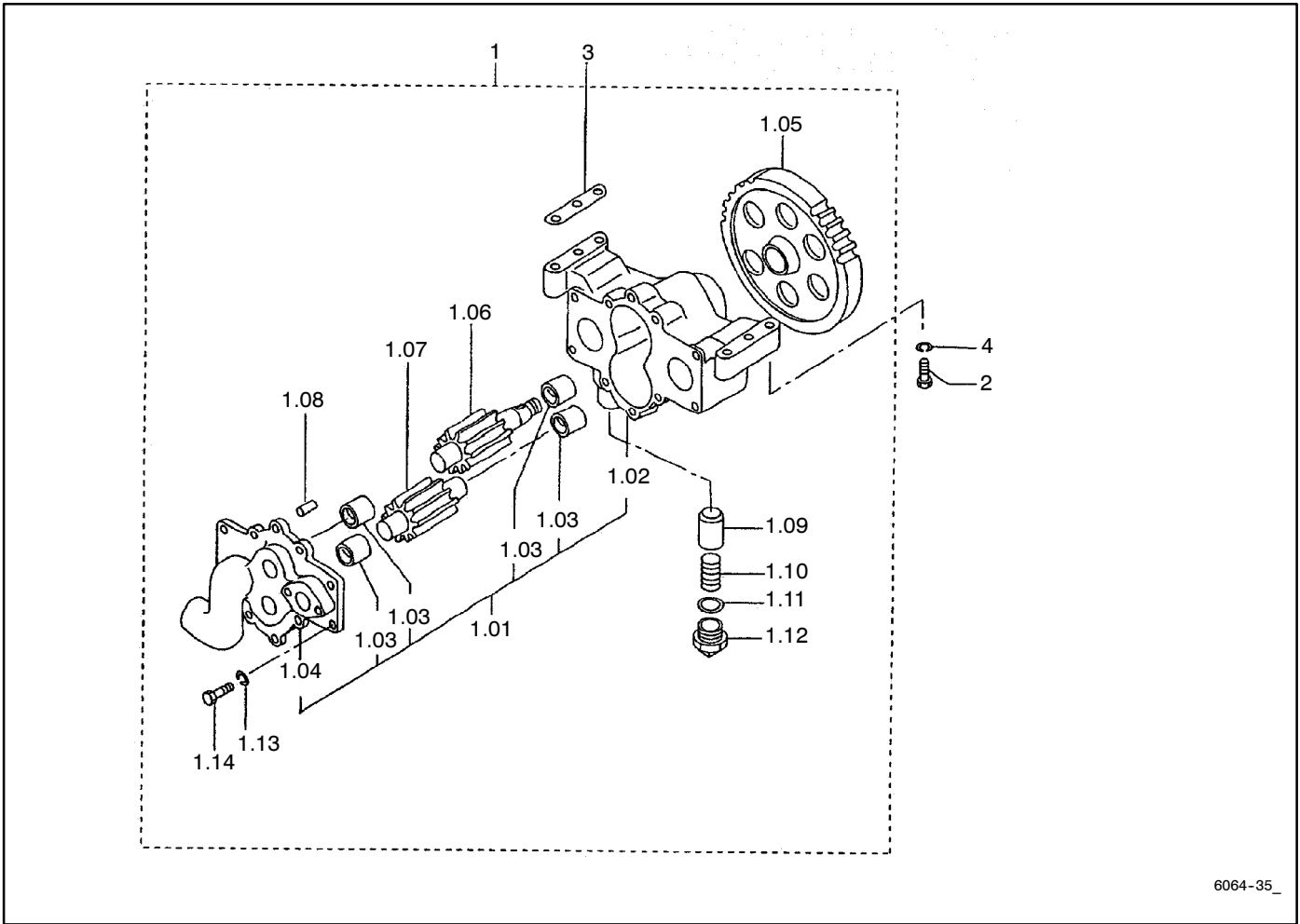
Group 33: Turbocharger

Item	Part Number	Description	Quantity	
			Variation Number	
			1	2
1	GM15059	Turbocharger	2	
1	GM15060	Turbocharger		2
1.01	GM15061	Cartridge	2	
1.01	GM15062	Cartridge		2
1.02	GM15047	Deflector, oil	2	2
1.03	GM15045	Bearing	4	4
1.04	GM15046	Bearing, thrust	2	2
1.05	GM15058	Ring, thrust	2	2
1.06	GM15057	Ring, thrust	2	2
1.07	GM15055	Sleeve, slinger	2	2
1.08	GM15049	Insert	2	2
1.09	GM15050	O-ring (insert)	2	2
1.1	GM15048	Ring, snap	6	6
1.11	GM15043	Ring, snap	2	2
1.12	GM15052	Ring, piston	4	4
1.13	GM15056	Nut	2	2
1.14	GM15072	Plate	2	2
1.15	GM15073	Housing assembly, bearing	2	2
1.16	X	Housing, bearing	2	2
1.17	X	Pin, spring	2	2
1.18	GM15074	Rotor assembly	2	2
1.19	GM14481	Rivet, screw	4	4
1.2	GM15051	O-ring	2	2
1.21	GM15053	Plate, lock	8	8
1.22	GM15054	Bolt	16	16
1.23	X	Nameplate	2	2
1.24	GM15075	Wheel, compressor	2	
1.24	GM15076	Wheel, compressor		2
1.25	GM15077	Cover, compressor	2	
1.25	GM15078	Cover, compressor		2
1.26	GM15069	Bolt	32	32
1.27	GM15063	Housing, turbine	2	2
1.28	GM15066	Lagging	2	2
1.29	X	Pin, dowel	2	2
1.3	GM15079	Diffuser	2	
1.3	GM15080	Diffuser		2
1.31	GM15064	Flange	2	2
1.32	GM15065	Plate, clamp	8	8
1.33	GM15068	Ring, nozzle	2	
1.33	GM15067	Ring, nozzle		2
1.34	GM15044	O-ring	2	2
1.35	GM15071	Ring, wire	2	2
1.36	GM15070	Bolt	8	8

50 Hz engines use variation 1.

60 Hz engines use variation 2.

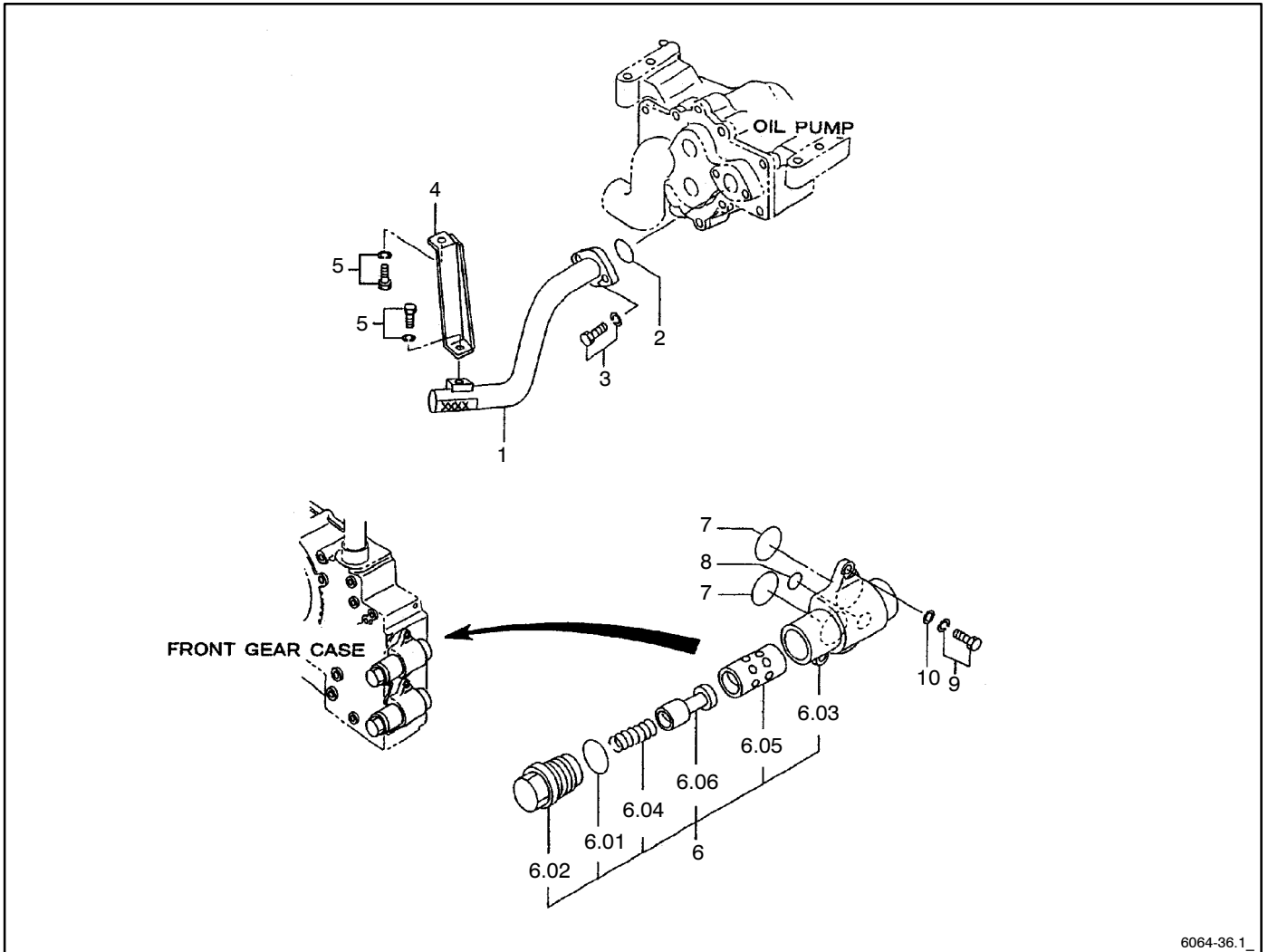
Group 35: Oil Pump



6064-35_

Item	Part Number	Description	Quantity
			Variation Number
1	GM14710	Pump, oil	1
1.01	GM14712	Body assembly	1
1.02	X	Body, oil pump	1
1.03	X	Bushing	4
1.04	X	Cover, oil pump	1
1.05	GM14713	Gear, drive	1
1.06	GM14714	Gear, drive	1
1.07	GM14715	Gear, drive	1
1.08	GM14716	Pin, dowel	2
1.09	GM14717	Valve, safety	1
1.1	GM14718	Spring	1
1.11	GM14719	Shim, safety valve	2
1.12	GM14720	Plug, safety valve	1
1.13	GM15180	Washer, spring	8
1.14	GM15108	Bolt	8
2	GM15104	Bolt	4
3	GM14711	Shim	2
4	GM15179	Washer, spring	4

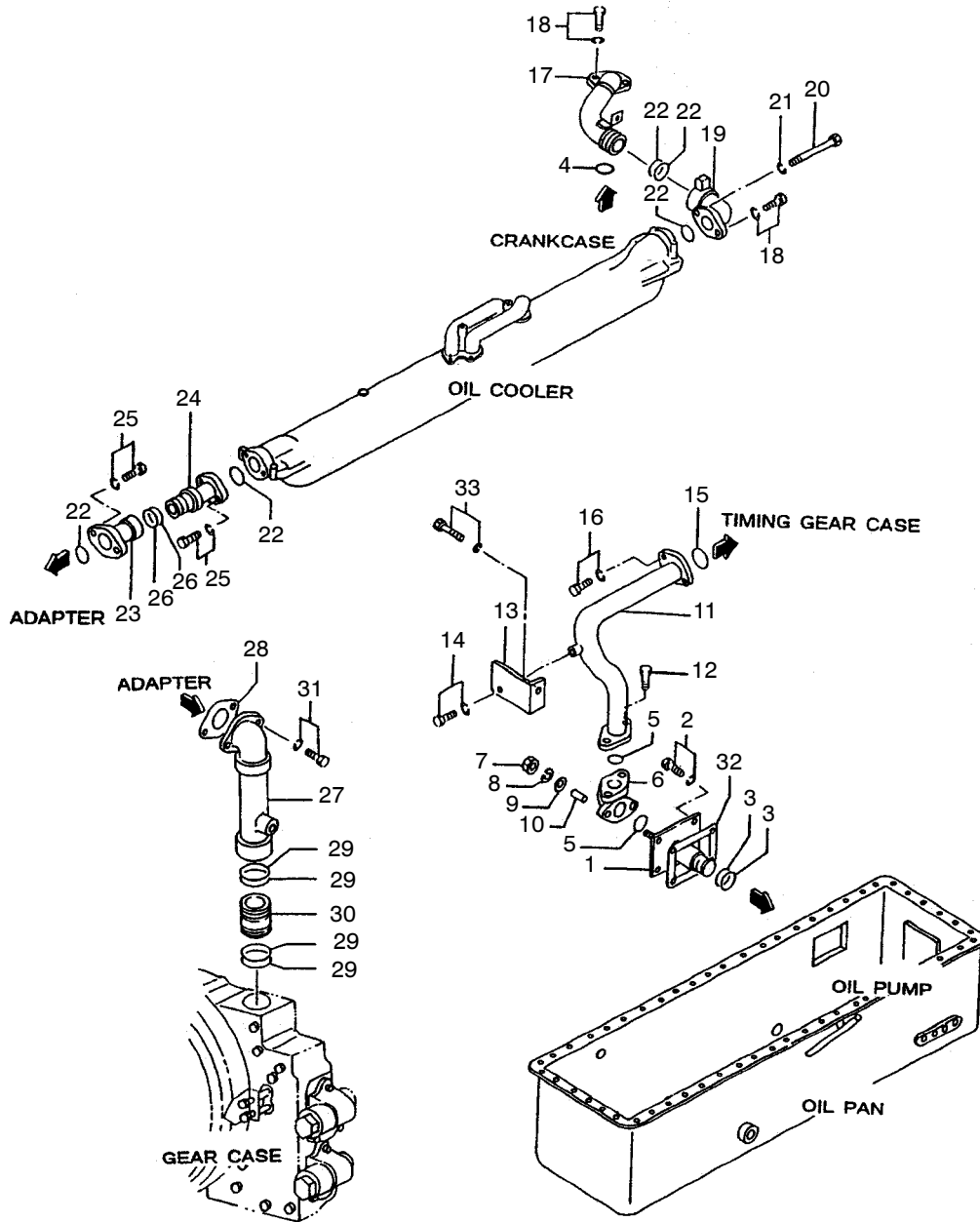
Group 36.1: Oil Strainer



6064-36.1

Item	Part Number	Description	Quantity
			Variation Number
1	GM14730	Strainer, oil	1
2	GM14519	O-ring	1
3	GM15151	Bolt	2
4	GM14731	Stay, strainer	1
5	GM15141	Bolt	2
6	GM14631	Valve assembly, relief	2
6.01	GM14505	O-ring	2
6.02	GM14629	Plug	2
6.03	GM14630	Case	1
6.04	GM14924	Spring	2
6.05	GM14925	Sleeve, relief	2
6.06	GM14926	Valve, relief	2
7	GM15211	O-ring	4
8	GM14502	O-ring	2
9	GM15142	Bolt w/washer	6
10	GM15174	Washer, plain	6

Group 36.2: Oil Pipe

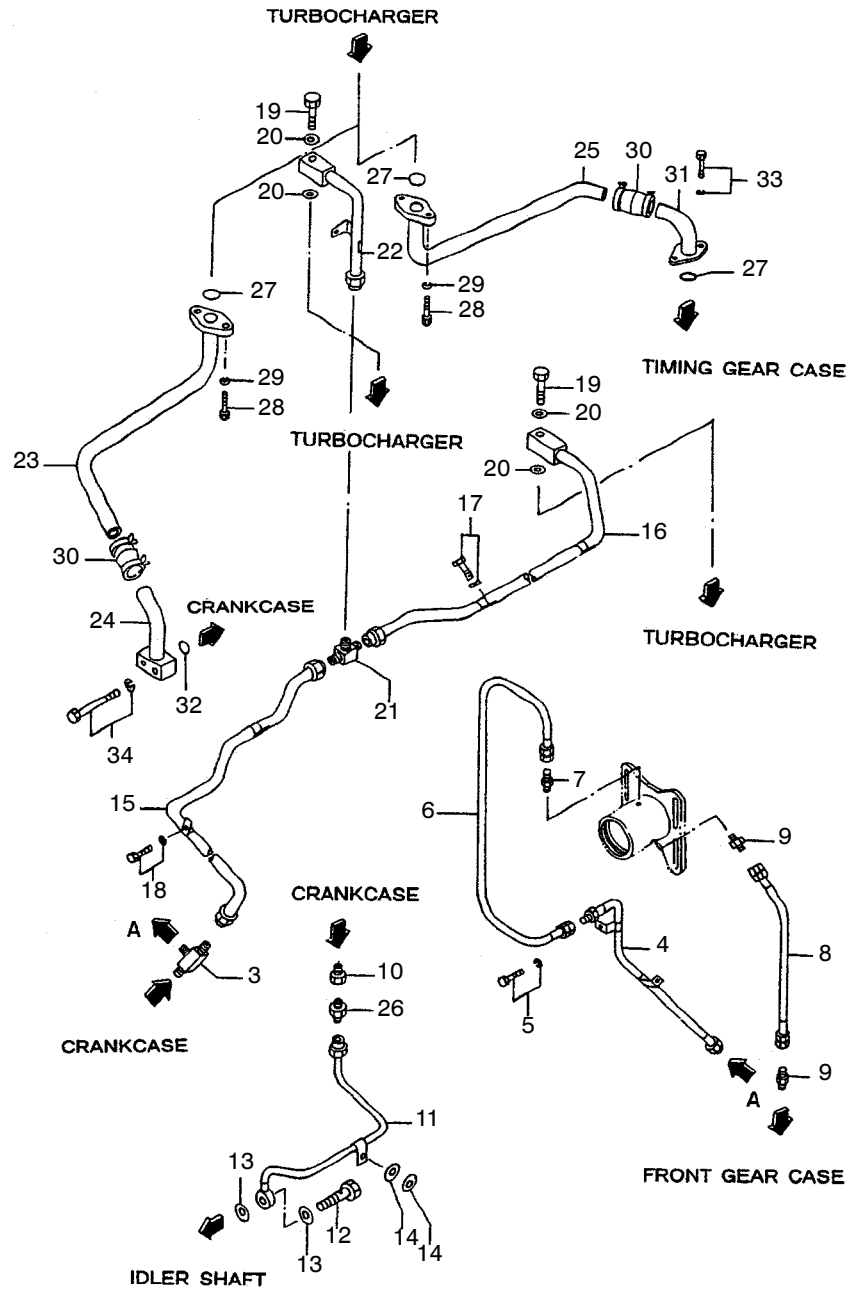


6064-36.2_

Group 36.2: Oil Pipe

Item	Part Number	Description	Quantity
			Variation Number 1
1	GM14726	Connector	1
2	GM15141	Bolt	4
3	GM14514	O-ring	2
4	GM14516	O-ring	1
5	GM14517	O-ring	2
6	GM14727	Connector	1
7	GM15165	Nut	2
8	GM15180	Washer, spring	2
9	GM15175	Washer, plain	2
10	GM14475	Spacer	2
11	GM14728	Pipe, oil	1
12	GM15113	Bolt	2
13	GM14729	Stay	1
14	GM15149	Bolt w/washer	1
15	GM14517	O-ring	1
16	GM15151	Bolt	2
17	GM14734	Pipe, oil	1
18	GM15151	Bolt	3
19	GM14736	Connector	1
20	GM15120	Bolt	1
21	GM15180	Washer, spring	1
22	GM14516	O-ring	5
23	GM14721	Connector	1
24	GM14722	Connector	1
25	GM15151	Bolt	4
26	GM14514	O-ring	2
27	GM14735	Pipe, oil	1
28	GM14605	Gasket	1
29	GM14516	O-ring	4
30	GM14723	Connector	1
31	GM15150	Bolt	2
32	GM14565	Packing	1
33	GM15143	Bolt	1

Group 36.3: Turbocharger Oil Lines

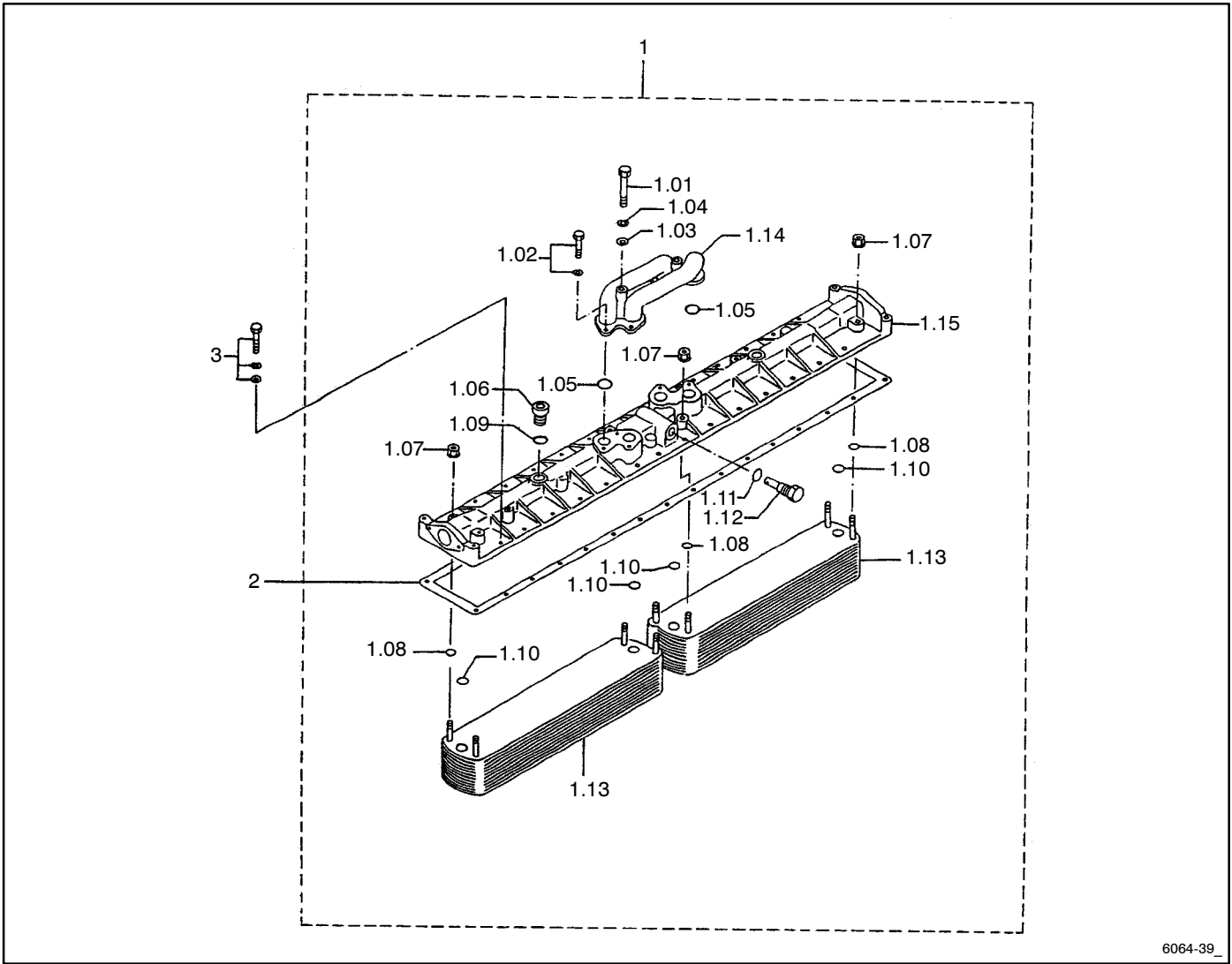


6064-36.3_

Group 36.3: Turbocharger Oil Lines

Item	Part Number	Description	Quantity
			Variation Number 1
1	Not used		1
2	Not used		1
3	GM14725	Connector	1
4	GM14724	Pipe, fan	1
5	GM15140	Bolt w/washer	2
6	GM14553	Pipe, flexible	1
7	GM14897	Connector	1
8	GM14554	Pipe, flexible	1
9	GM15231	Connector	2
10	GM15085	Connector	1
11	GM14732	Pipe, oil	1
12	GM15233	Bolt, eye	1
13	GM14528	Washer, sealing	2
14	GM15175	Washer	2
15	GM14737	Pipe, oil	1
16	GM14738	Pipe, oil	1
17	GM15140	Bolt w/washer	3
18	GM15142	Bolt w/washer	1
19	GM14632	Bolt, eye	2
20	GM15227	Gasket	4
21	GM15232	Joint	1
22	GM14733	Pipe, oil	1
23	GM14740	Pipe, drain	1
24	GM14741	Pipe, drain	1
25	GM14742	Pipe, drain	1
26	GM15230	Connector	1
27	GM14515	O-ring	3
28	GM15129	Bolt	4
29	GM15179	Washer, spring	4
30	GM14495	Coupling, turbo drain	2
31	GM14739	Pipe, drain	1
32	GM14508	O-ring	2
33	GM15142	Bolt w/washer	2
34	GM15145	Bolt	2

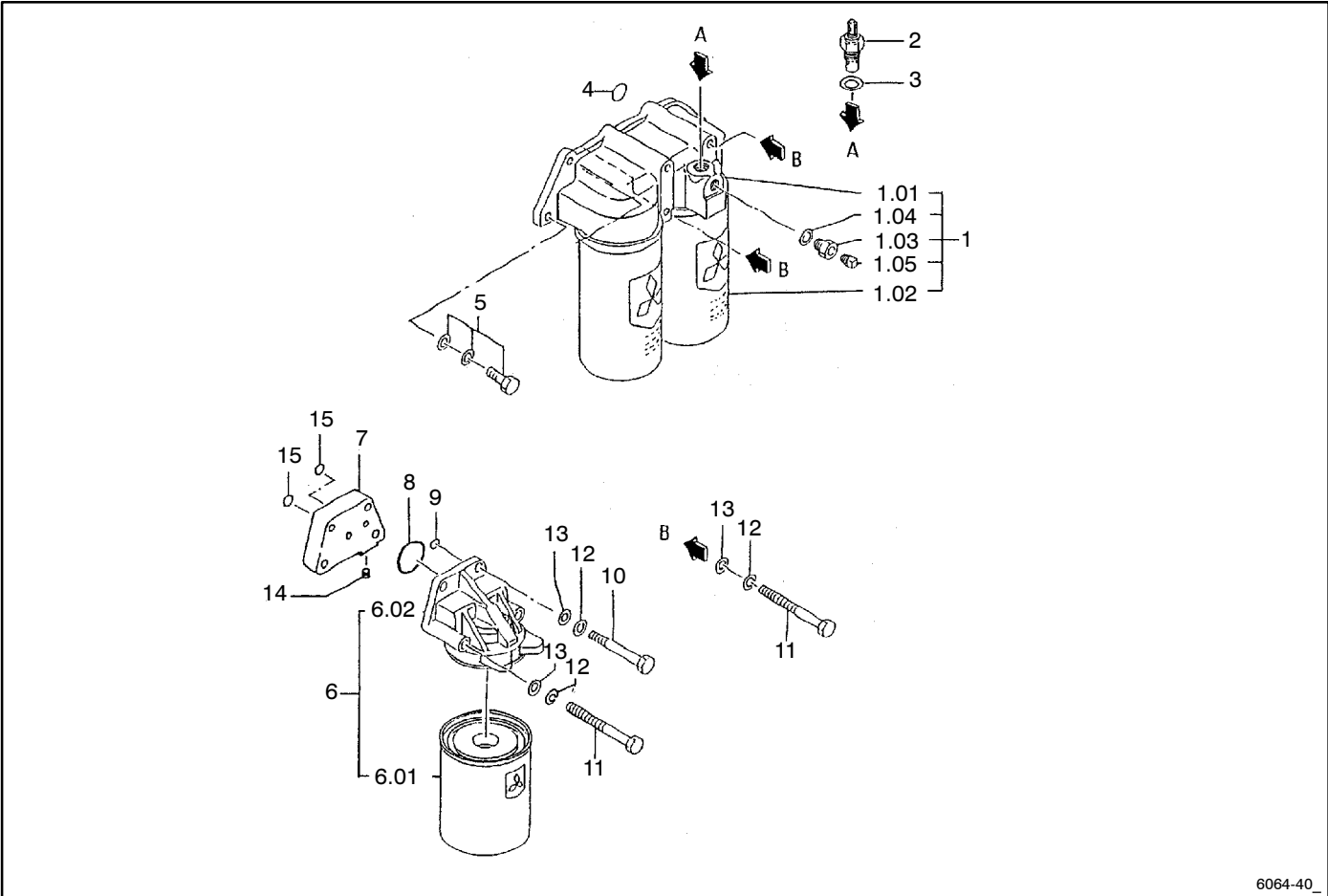
Group 39: Oil Cooler



6064-39

Item	Part Number	Description	Quantity
			Variation Number
1	GM14746	Cooler assembly, oil	1
1.01	GM15130	Bolt	2
1.02	GM15160	Bolt w/washer	4
1.03	GM15174	Washer, plain	2
1.04	GM15179	Washer, spring	2
1.05	GM15212	O-ring	4
1.06	GM15262	Plug	2
1.07	GM15263	Nut, flange	8
1.08	GM15264	O-ring	8
1.09	GM15265	O-ring	2
1.1	GM15266	O-ring, oil	4
1.11	GM14598	O-ring	1
1.12	GM14599	Valve, bypass	1
1.13	GM14744	Element	2
1.14	GM14745	Pipe	1
1.15	GM14747	Cover, oil cooler	1
2	GM14743	Packing, oil cooler	1
3	GM15156	Bolt	32

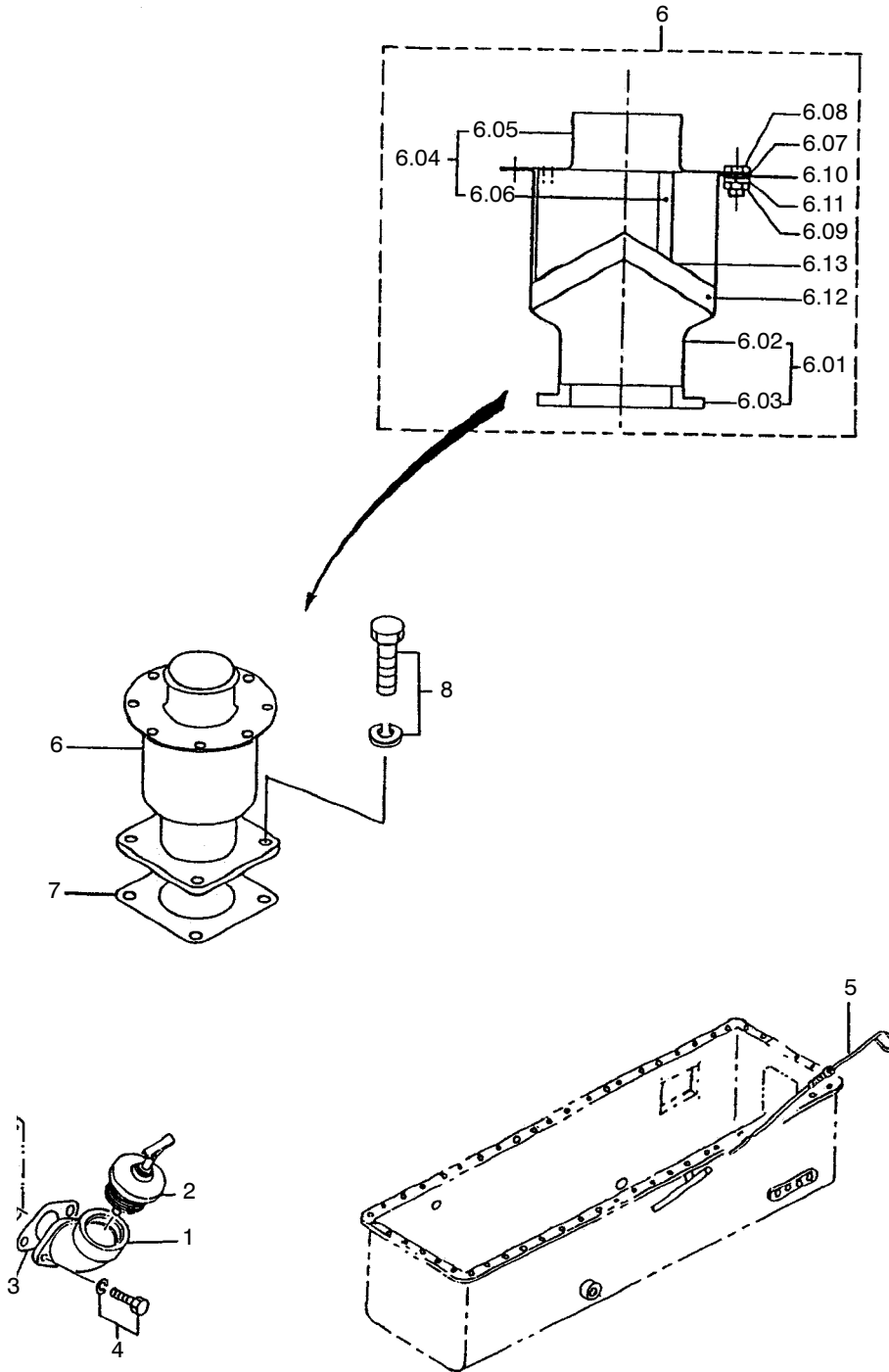
Group 40: Oil Filter



6064-40_

Item	Part Number	Description	Quantity
			Variation Number
1	GM14870	Filter assembly, oil	2
1.01	GM14600	Bracket	2
1.02	GM13942	Element, oil filter	4
1.03	GM14601	Connector	2
1.04	GM15228	Gasket	2
1.05	GM15246	Plug, tapered	2
2	GM14488	Alarm, oil filter	2
3	GM14533	Washer, sealing	2
4	GM15199	O-ring	4
5	GM15155	Bolt w/washer	6
6	GM14650	Filter assembly, bypass	1
6.01	GM13943	Element, bypass oil filter	1
6.02	X	Bracket	1
7	GM14748	Spacer	1
8	GM15201	O-ring	1
9	GM15197	O-ring	1
10	GM15105	Bolt	2
11	GM14540	Bolt	8
12	GM15179	Washer, spring	10
13	GM15174	Washer, plain	10
14	GM14496	Plug, tapered	1
15	GM15198	O-ring	2

Group 42: Oil Filler and Breather

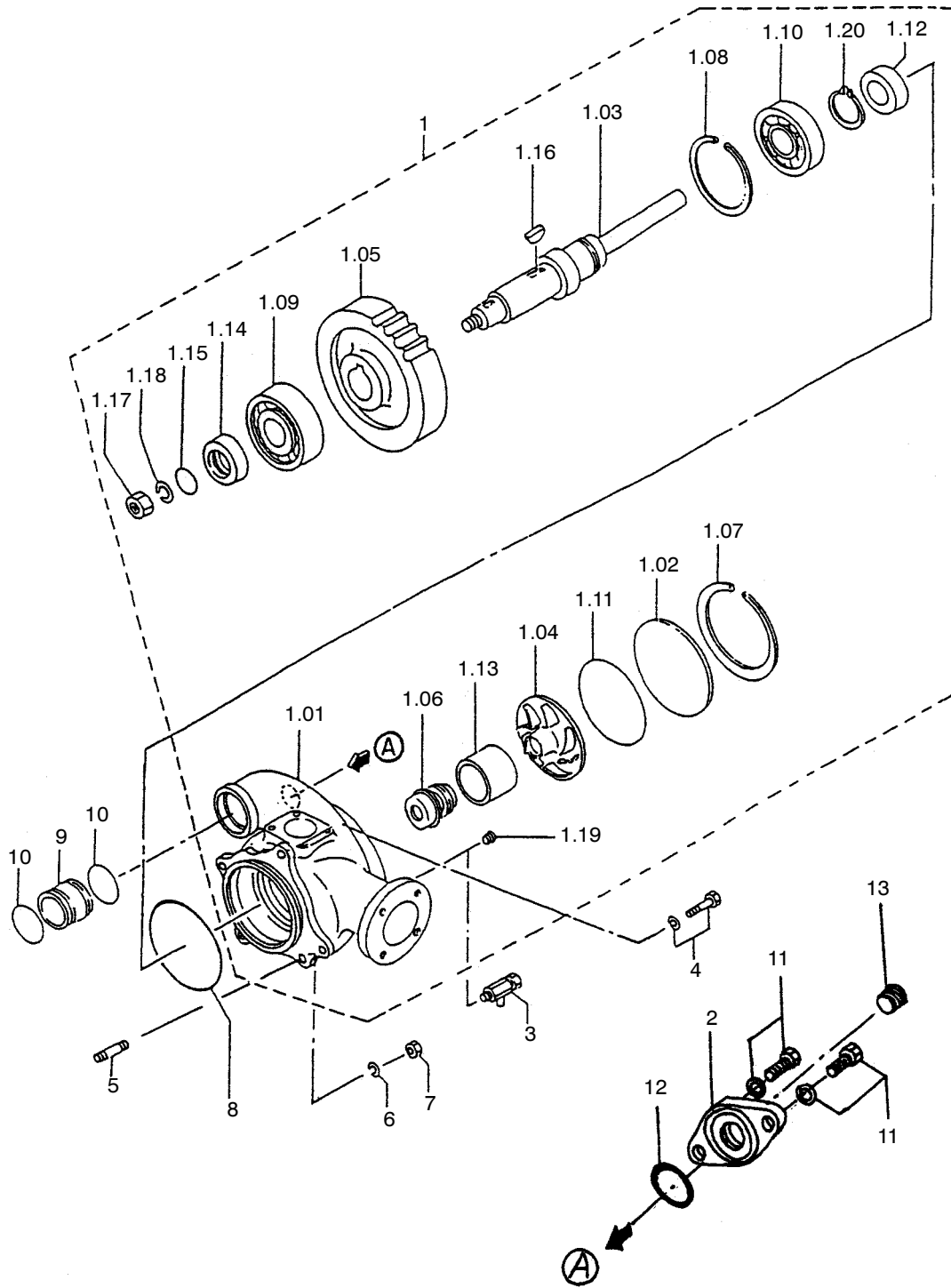


6064-42_

Group 42: Oil Filler and Breather

Item	Part Number	Description	Quantity
			Variation Number 1
1	GM14602	Elbow	1
2	GM14633	Cap, oil	1
3	GM14623	Packing	1
4	GM15141	Bolt	2
5	GM14461	Gauge, oil level	1
6	GM14970	Breather assembly	1
6.01	GM14978	Case assembly	1
6.02	X	Casing	1
6.03	X	Flange	1
6.04	GM14979	Cover assembly	1
6.05	X	Cover	1
6.06	X	Stopper	2
6.07	GM14971	Gasket	1
6.08	GM14972	Bolt	8
6.09	GM14973	Nut	8
6.1	GM14974	Washer, plain	8
6.11	GM14975	Washer, spring	8
6.12	GM14976	Spacer	1
6.13	GM14977	Support	2
7	GM14501	Gasket	1
8	GM15150	Bolt	4

Group 45: Water Pump

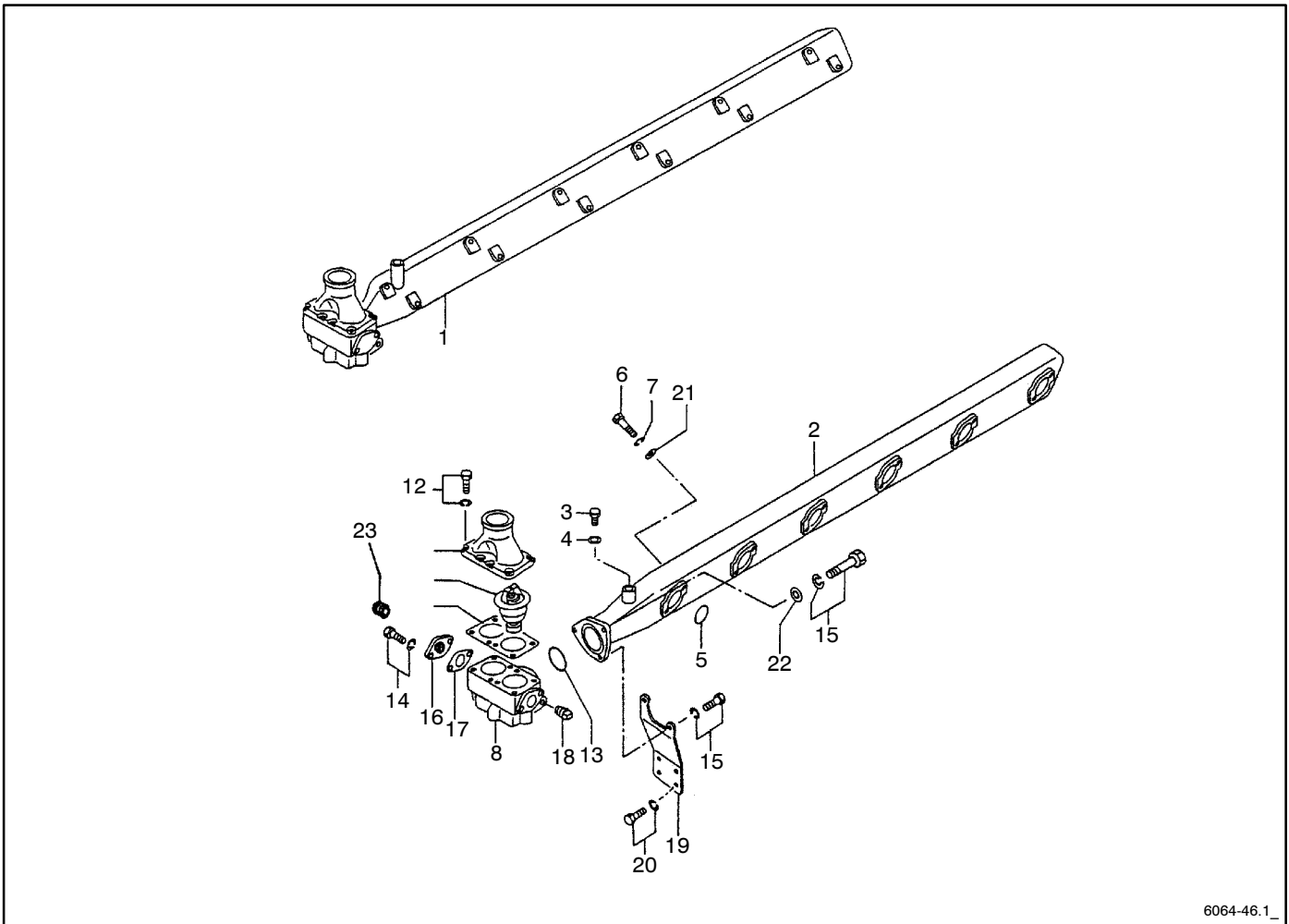


6064-45

Group 45: Water Pump

Item	Part Number	Description	Quantity
			Variation Number 1
1	GM14984	Water pump	1
1.01	X	Case, water pump	1
1.02	GM14927	Cover	1
1.03	GM14982	Shaft, water pump	1
1.04	GM14983	Impeller	1
1.05	GM14467	Gear, head	1
1.06	GM14898	Seal, unit	1
1.07	GM14928	Ring, snap	1
1.08	GM15223	Ring, snap	1
1.09	GM15259	Bearing, ball	1
1.1	GM15260	Bearing, ball	1
1.11	GM15210	O-ring	1
1.12	GM14921	Seal, oil	1
1.13	GM14980	Ring	1
1.14	GM14981	Sleeve	1
1.15	GM15213	O-ring	1
1.16	GM15192	Key, woodruff	1
1.19	GM15242	Plug, tapered	1
1.2	GM15219	Ring, snap	1
2	GM14471	Cover	1
3	GM14603	Valve	1
4	GM15151	Bolt	2
5	GM14537	Stud	3
6	GM15180	Washer, spring	3
7	GM15165	Nut	3
8	GM15215	O-ring	1
9	GM14985	Coupling	1
10	GM15208	O-ring	2
11	GM15150	Bolt	2
12	GM15204	O-ring	1
13	GM15248	Plug	1

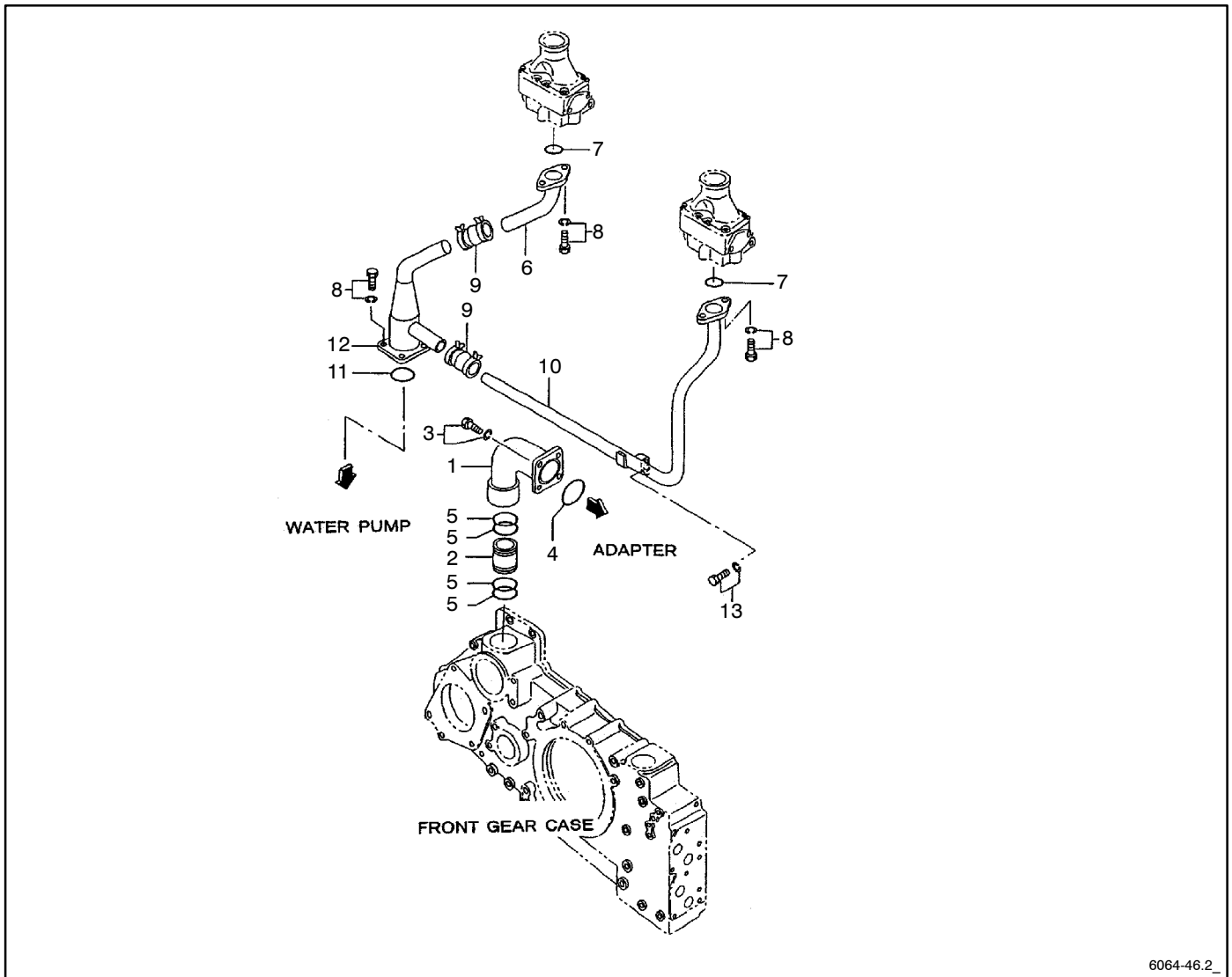
Group 46.1: Thermostat and Covers



6064-46.1_

Item	Part Number	Description	Quantity
			Variation Number
1	GM14763	Pipe, water outlet RS	1
2	GM14764	Pipe, water outlet LS	1
3	GM15238	Plug, screw	2
4	GM14531	Washer, sealing	2
5	GM15202	O-ring	12
6	GM15106	Bolt	24
7	GM15179	Washer, spring	24
8	GM14606	Case, thermostat	2
9	GM13944	Thermostat	4
10	GM13945	Gasket, thermostat	2
11	GM14567	Cover, thermostat	2
12	GM15138	Bolt w/washer	16
13	GM15205	O-ring	2
14	Not used	Bolt	4
15	GM15142	Bolt w/washer	6
16	GM14751	Cover, RS	2
17	GM14604	Packing	2
18	GM15247	Plug, tapered	4
19	GM14756	Stay	2
20	GM15141	Bolt	8
21	GM15174	Washer, plain	24
22	GM15174	Washer, plain	2
23	GM15245	Plug	1

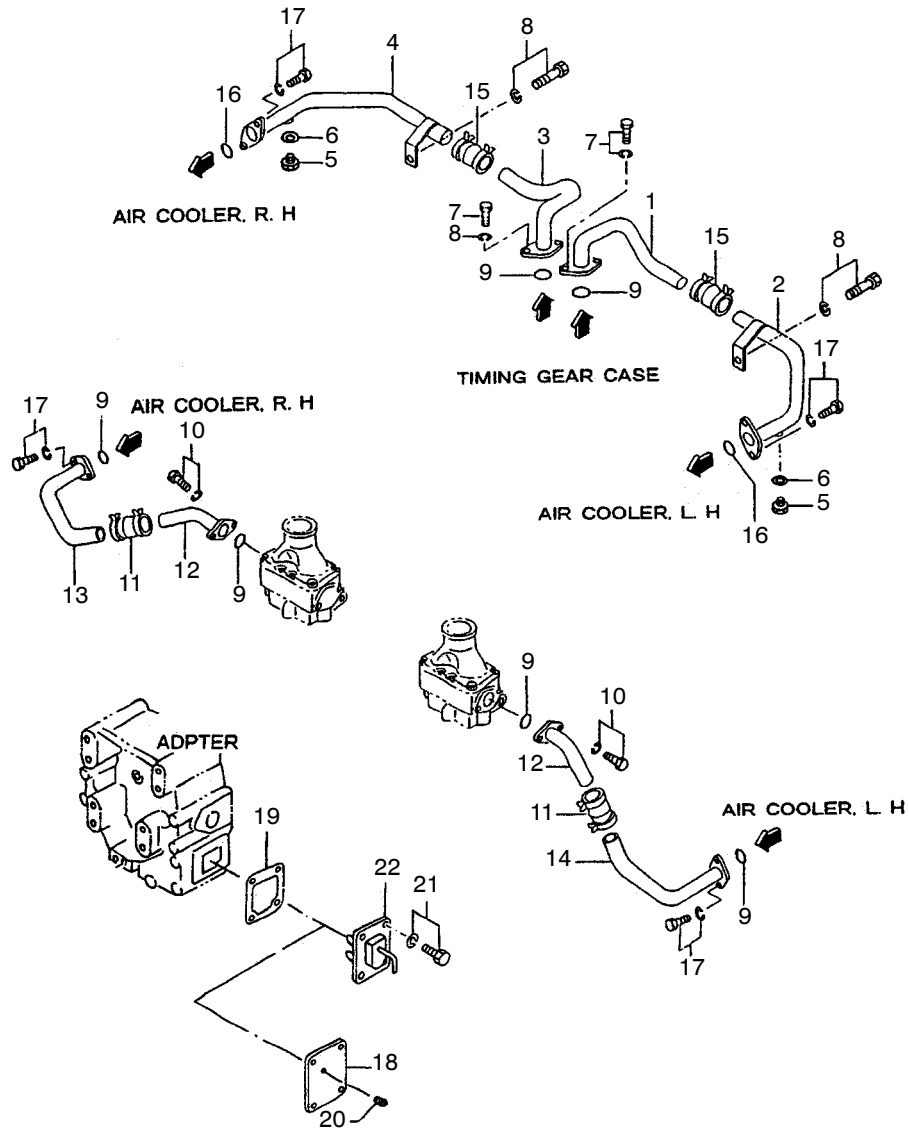
Group 46.2: Water Pump Pipes



6064-46.2_

Item	Part Number	Description	Quantity
			Variation Number
1	GM14759	Pipe, water	1
2	GM14750	Connector	1
3	GM15151	Bolt	4
4	GM15207	O-ring	1
5	GM15206	O-ring	4
6	GM14757	Pipe, bypass RS	1
7	GM15203	O-ring	2
8	GM15141	Bolt	8
9	GM14493	Coupling	2
10	GM14758	Pipe, bypass LS	1
11	GM15200	O-ring	1
12	GM14749	Pipe, bypass RS	1
13	GM15150	Bolt	1

Group 46.3: Air Cooler Pipes

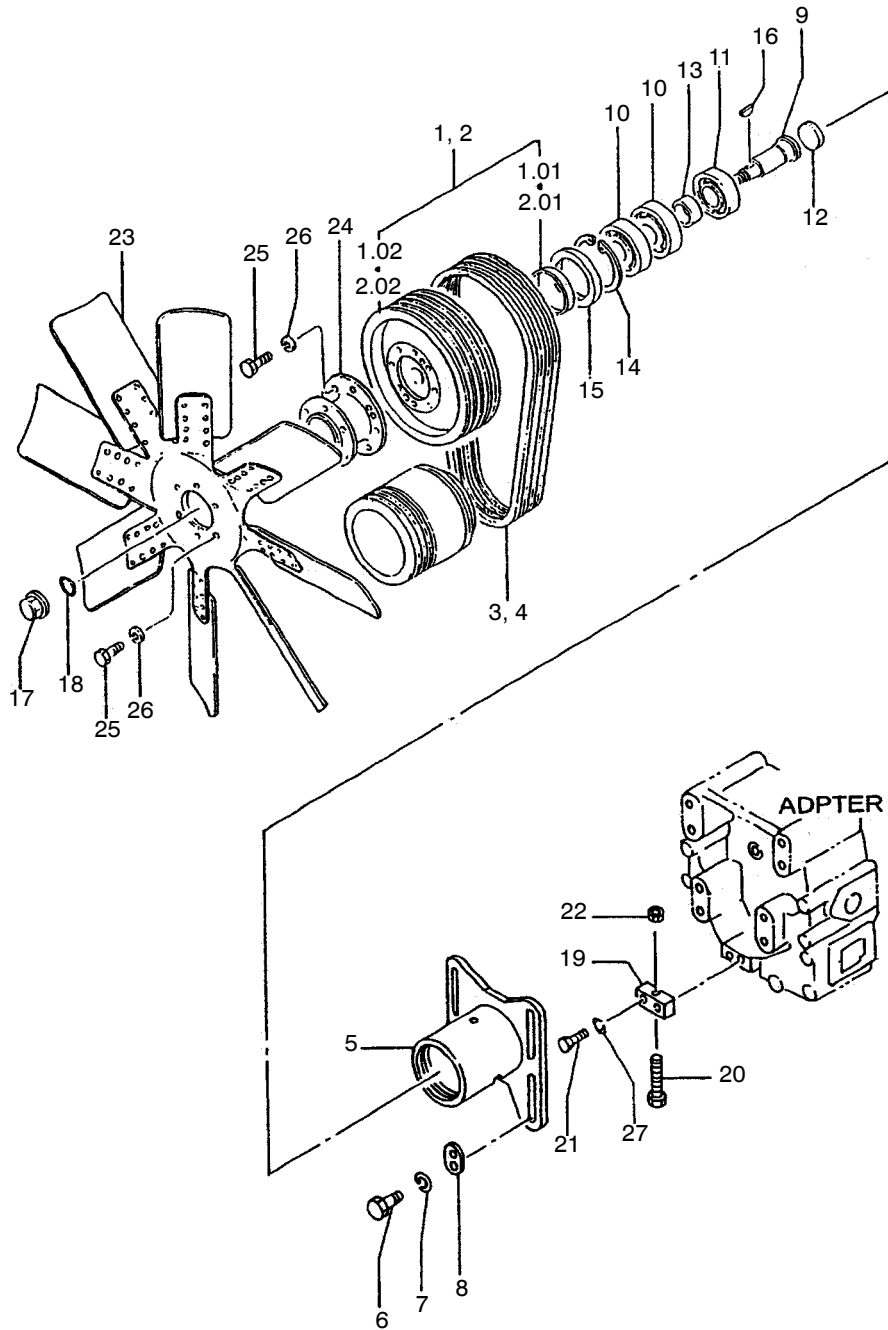


6064-46.3_

Group 46.3: Air Cooler Pipes

Item	Part Number	Description	Quantity
			Variation Number 1
1	GM14752	Pipe, air cooler LS	1
2	GM14760	Pipe, air cooler LS	1
3	GM14753	Pipe, air cooler RS	1
4	GM14761	Pipe, air cooler RS	1
5	GM15237	Plug, screw	2
6	GM14529	Washer, sealing	2
7	GM15141	Bolt	4
8	GM15150	Bolt	2
9	GM15203	O-ring	4
10	GM15154	Bolt	4
11	GM14493	Coupling	4
12	GM14762	Pipe, air cooler	2
13	GM14754	Pipe, air cooler RS	1
14	GM14755	Pipe, air cooler LS	1
15	GM14493	Coupling	2
16	GM15203	O-ring	2
17	GM15159	Bolt w/washer	8
18	GM15000	Cover	1
19	GM14929	Packing	1
20	GM15246	Plug, tapered	1
21	GM15151	Bolt	4
22	Not used	Heater	1

Group 48: Fan Drive



6064-48_

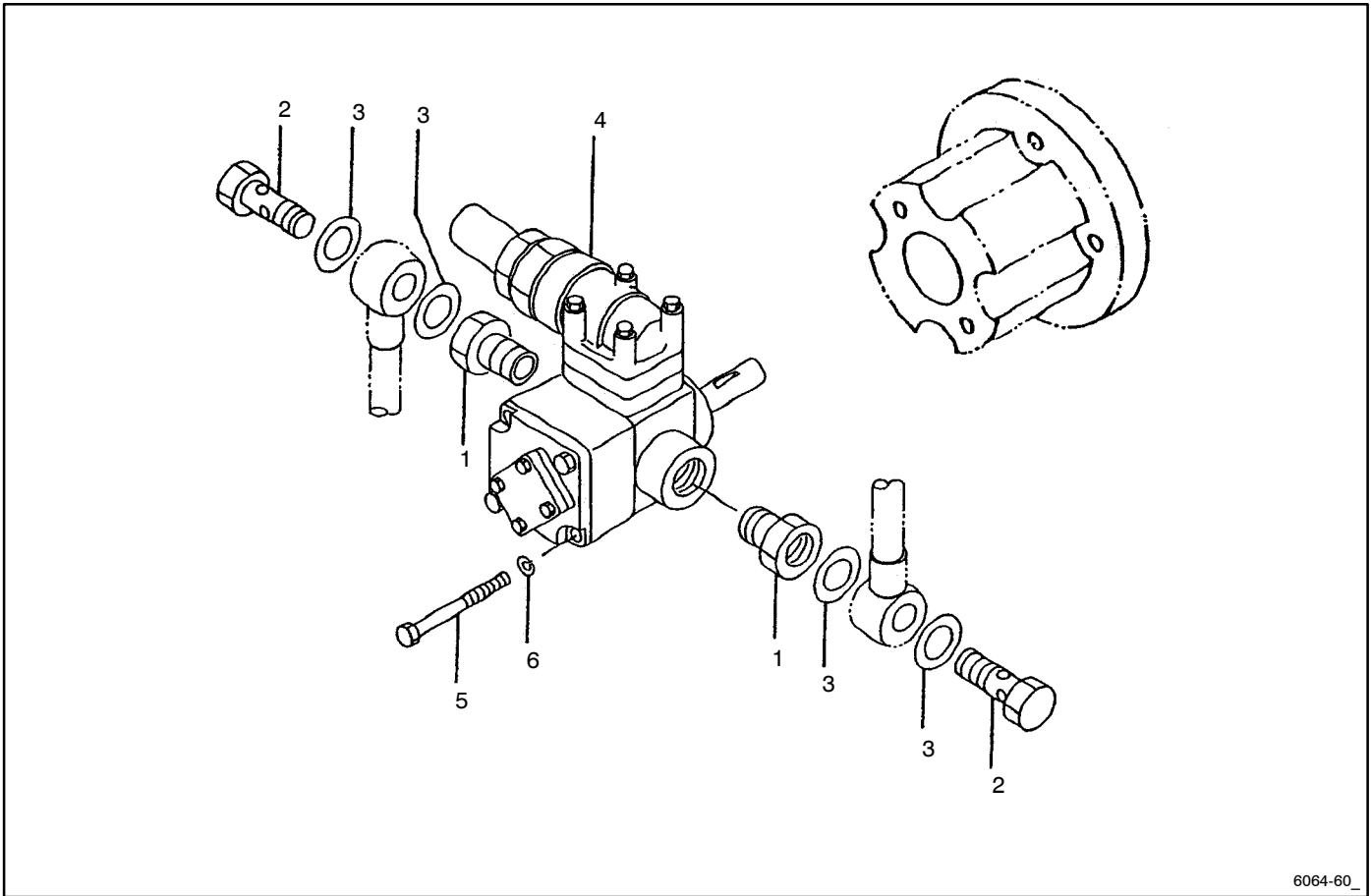
Group 48: Fan Drive

Item	Part Number	Description	Quantity	
			Variation Number	
			1	2
1	GM14911	Pulley assembly, fan	1	
1.01	GM14909	Sleeve	1	
1.02	X	Pulley, fan	1	
2	GM14912	Pulley assembly, fan		1
2.01	GM14909	Sleeve		1
2.02	X	Pulley, fan		1
3	GM14526	V-belt, 2085 L x 22.8 W	1	
4	GM14525	V-belt, 1960 L x 22.8 W		1
5	GM14904	Bracket	1	1
6	GM15112	Bolt	8	8
7	GM15180	Washer, spring	8	8
8	GM14908	Washer	4	4
9	GM14906	Shaft	1	1
11	GM15259	Bearing, ball	2	2
12	GM14492	Cap, sealing	1	1
13	GM14907	Spacer	1	1
14	GM15223	Ring, snap	1	1
15	GM15196	Seal, oil	1	1
16	GM15191	Key, woodruff	1	1
17	GM14607	Nut	1	1
18	GM15204	O-ring	1	1
19	GM14905	Bracket	1	1
20	GM14624	Bolt	1	1
21	GM15104	Bolt	2	2
22	GM15165	Nut	1	1
		Fan (See generator set parts catalog for part number)		
23	—		1	1
24	GM14910	Spacer	1	1
25	GM15110	Bolt	16	16
26	GM15180	Washer, spring	16	16
27	GM15179	Washer, spring	2	2

50 Hz engines use variation 1.

60 Hz engines use variation 2.

Group 60: Feed Pump

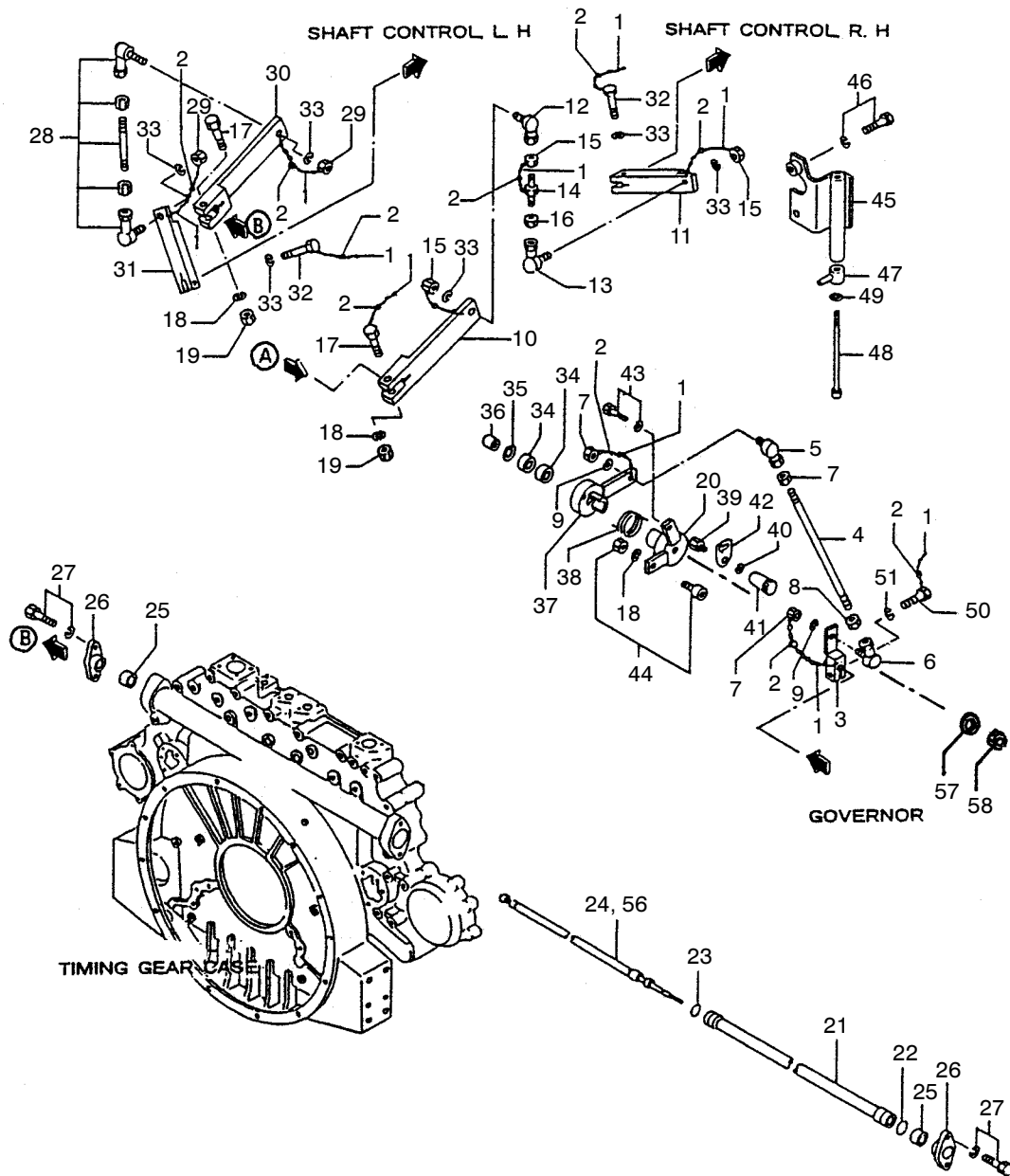


6064-60_

Item	Part Number	Description	Quantity
			Variation Number
1	GM14790	Connector	2
2	GM15236	Bolt, eye	3
3	GM14532	Washer, sealing	6
4	GM14765	Pump, feed	1
5	GM15102	Bolt	2
6	GM15178	Washer, spring	2

Notes

Group 61.1: Fuel Rack Control

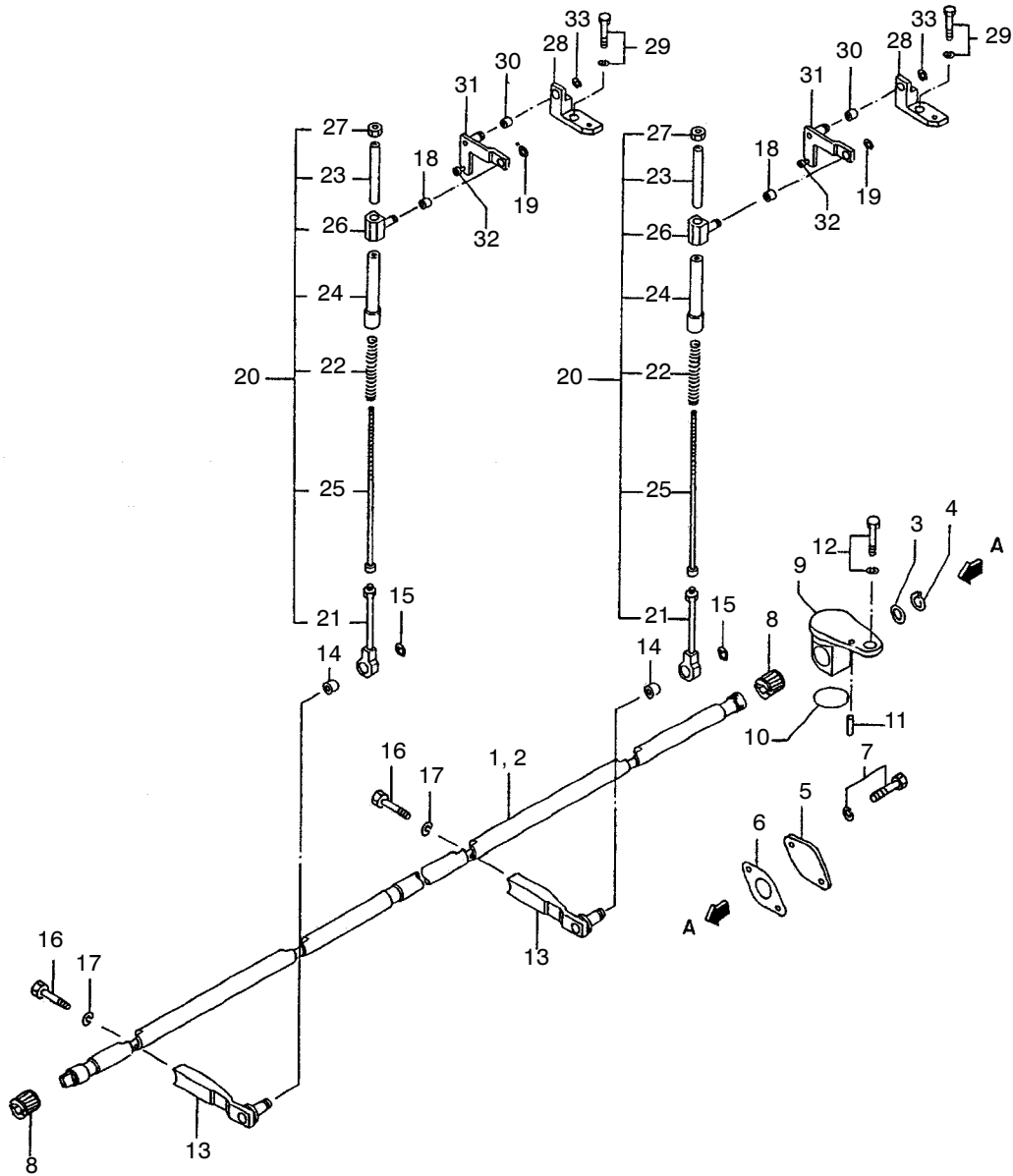


6064-61.1_

Group 61.1: Fuel Rack Control

Item	Part Number	Description	Quantity
			Variation Number 1
1	GM14463	Wire, seal	12
2	GM15001	Seal	12
3	GM14932	Lever, governor	1
4	GM14524	Rod	1
5	GM14651	Joint, ball	1
6	GM14652	Joint, ball	1
7	GM14621	Nut	3
8	GM14891	Nut	1
9	GM15178	Washer, spring	2
10	GM14773	Lever, control RS	1
11	GM14779	Lever, control RS	1
12	GM14651	Joint, ball	1
13	GM14652	Joint, ball	1
14	GM14634	Turnbuckle	1
15	GM14621	Nut	3
16	GM14891	Nut	1
17	GM15128	Bolt	2
18	GM15178	Washer, spring	3
19	GM15163	Nut	2
20	GM14786	Lever, cancel	1
21	GM14482	Pipe, timing case	1
22	GM14508	O-ring	2
23	GM14510	O-ring	1
24	GM14787	Shaft, control	1
25	GM15258	Bearing, ball	2
26	GM14913	Cover	2
27	GM15137	Bolt w/washer	4
28	GM14778	Link, control	1
29	GM14621	Nut	2
30	GM14773	Lever, control LS	1
31	GM14783	Lever, control LS	1
32	GM15127	Bolt	2
33	GM15178	Washer, spring	4
34	GM15257	Bearing, ball	2
35	GM15220	Ring, snap	1
36	GM15088	Spacer	1
37	GM14766	Lever, cancel	1
38	GM14777	Spring	1
39	GM14617	Connector	1
40	GM15178	Washer, spring	1
41	GM14474	Grip	1
42	GM14473	Plate	1
43	GM15137	Bolt w/washer	1
44	GM14991	Follower	1
45	GM14782	Bracket, stopper	1
46	GM15152	Bolt	2
47	GM14771	Stopper	1
48	GM14770	Rod, stopper	1
49	GM15225	Ring, snap	1
50	GM15127	Bolt	1
51	GM15178	Washer, spring	1
52	GM14775	Lever, stop	1
53	GM15127	Bolt	1
54	GM14772	Lever, control	1
55	GM14473	Plate, caution	1
56	GM14774	Shaft, control	1
57	GM15176	Washer, spring	1
58	GM15166	Nut	1

Group 61.2: Control Shaft

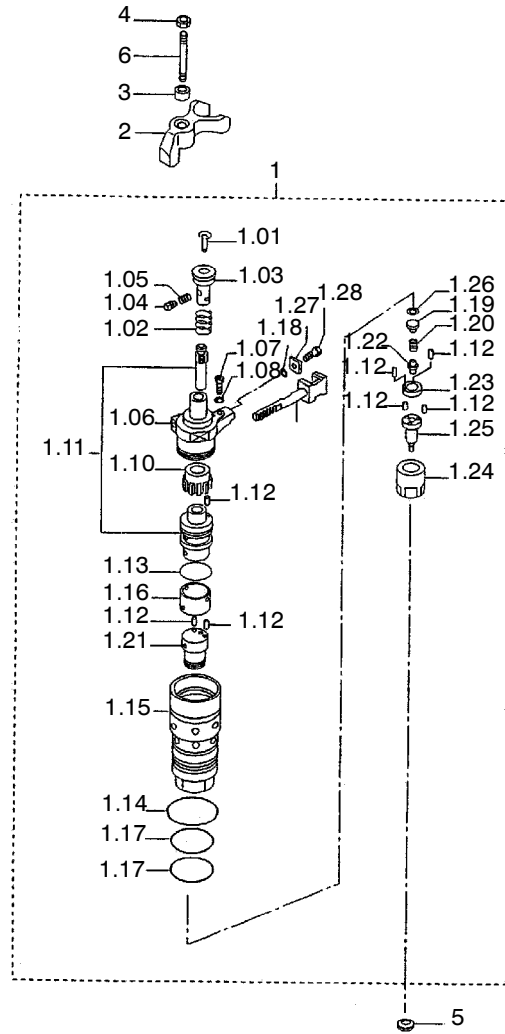


6064-61.2_

Group 61.2: Control Shaft

Item	Part Number	Description	Quantity
			Variation Number 1
1	GM14784	Shaft, control LS	1
2	GM14785	Shaft, control RS	1
3	GM14478	Washer	2
4	GM15216	Ring, snap	2
5	GM14992	Flange	2
6	GM14561	Gasket	2
7	GM15141	Bolt	4
8	GM14955	Cage	8
9	GM14776	Bracket, control	4
10	GM14509	O-ring	4
11	GM15186	Pin	4
12	GM15151	Bolt	4
13	GM14880	Lever, control	12
14	GM14956	Cage	12
15	GM15226	Ring, snap	12
16	GM14875	Bolt, reamer	12
17	GM15178	Washer, spring	12
18	GM14954	Cage	12
19	GM15224	Ring, snap	12
20	GM14885	Rod assembly, cancel	12
21	GM14884	Rod, cancel	12
22	GM14877	Spring, cancel	12
23	GM14882	Spacer	12
24	GM14876	Case, spring	12
25	GM14874	Link, cancel	12
26	GM14878	Pin	12
27	GM15169	Nut	12
28	GM14883	Bracket	12
29	GM15140	Bolt w/washer	12
30	GM14956	Cage	12
31	GM14881	Lever, rack	12
32	GM15086	Bearing	12
33	GM15226	Ring, snap	12

Group 61.3: Injector



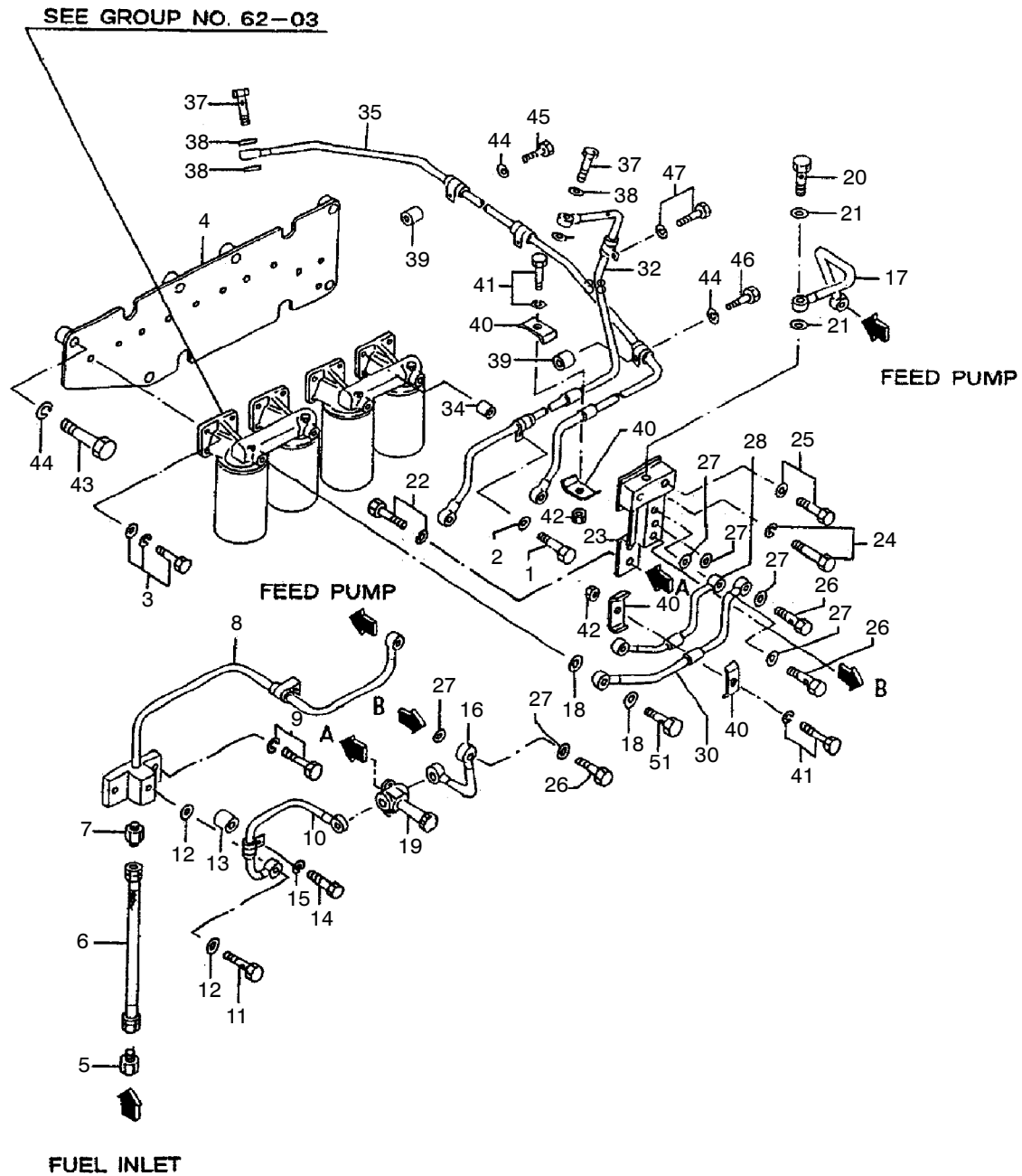
Group 61.3: Injector

Item	Part Number	Description	Quantity	
			Variation Number	
			1	2
1	GM15006	Unit assembly, injector	12	
1	GM15007	Unit assembly, injector		12
1.01	GM15033	Rod, push	12	12
1.02	GM15037	Spring, plunger	12	12
1.03	GM15034	Tappet, plunger	12	12
1.04	GM15035	Stopper	12	12
1.05	GM15036	Spring, stopper	12	12
1.06	GM15028	Body, injector	12	12
1.07	GM15029	Stand, gage	12	12
1.08	GM15021	Shim, prestroke t=0.20	AR	AR
1.08	GM15022	Shim, prestroke t=0.25	AR	AR
1.08	GM15023	Shim, prestroke t=0.30	AR	AR
1.08	GM15024	Shim, prestroke t=0.35	AR	AR
1.08	GM15025	Shim, prestroke t=0.40	AR	AR
1.08	GM15026	Shim, prestroke t=0.45	AR	AR
1.08	GM15027	Shim, prestroke t=0.50	AR	AR
1.09	GM15010	Rack, control	12	12
1.1	GM15009	Pinion	12	12
1.11	GM15008	Plunger assembly	12	12
1.12	GM15254	Bearing, roller	84	84
1.13	GM14511	O-ring	12	12
1.14	GM14513	O-ring	12	12
1.15	GM15031	Body, retaining	12	12
1.16	GM15032	Deflector, spill	12	12
1.17	GM14512	O-ring	12	12
1.18	GM15011	Shim, needle valve t=0.40	AR	AR
1.18	GM15012	Shim, needle valve t=0.50	AR	AR
1.18	GM15013	Shim, needle valve t=0.60	AR	AR
1.18	GM15014	Shim, needle valve t=0.70	AR	AR
1.18	GM15015	Shim, needle valve t=0.80	AR	AR
1.18	GM15016	Shim, needle valve t=0.90	AR	AR
1.18	GM15017	Shim, needle valve t=1.00	AR	AR
1.18	GM15018	Shim, needle valve t=1.10	AR	AR
1.18	GM15019	Shim, needle valve t=1.20	AR	AR
1.19	GM15039	Seat, spring	12	12
1.2	GM15038	Spring needle valve	12	12
1.21	GM15040	Cage, spring	12	12
1.22	GM15042	Retainer, lower	12	12
1.23	GM15041	Piece, distance	12	12
1.24	GM15030	Nozzle, retaining nut	12	12
1.25	GM13946	Tip assembly, nozzle	12	12
1.26	GM15011	Shim, rack control t=0.40	AR	AR
1.26	GM15012	Shim, rack control t=0.50	AR	AR
1.26	GM15013	Shim, rack control t=0.60	AR	AR
1.26	GM15014	Shim, rack control t=0.70	AR	AR
1.26	GM15015	Shim, rack control t=0.80	AR	AR
1.26	GM15016	Shim, rack control t=0.90	AR	AR
1.26	GM15017	Shim, rack control t=1.00	AR	AR
1.26	GM15018	Shim, rack control t=1.10	AR	AR
1.26	GM15019	Shim, rack control t=1.20	AR	AR
1.27	GM15020	Plate, adjusting	12	12
1.28	GM15134	Bolt	12	12
2	GM14879	Gland	12	12
3	GM14872	Seat, spherical	12	12
4	GM15168	Nut	12	12
5	GM14873	Gasket, nozzle	12	12
6	GM14915	Stud	12	12

50 Hz engines use variation 1.

60 Hz engines use variation 2.

Group 62.1: Fuel Filter Piping

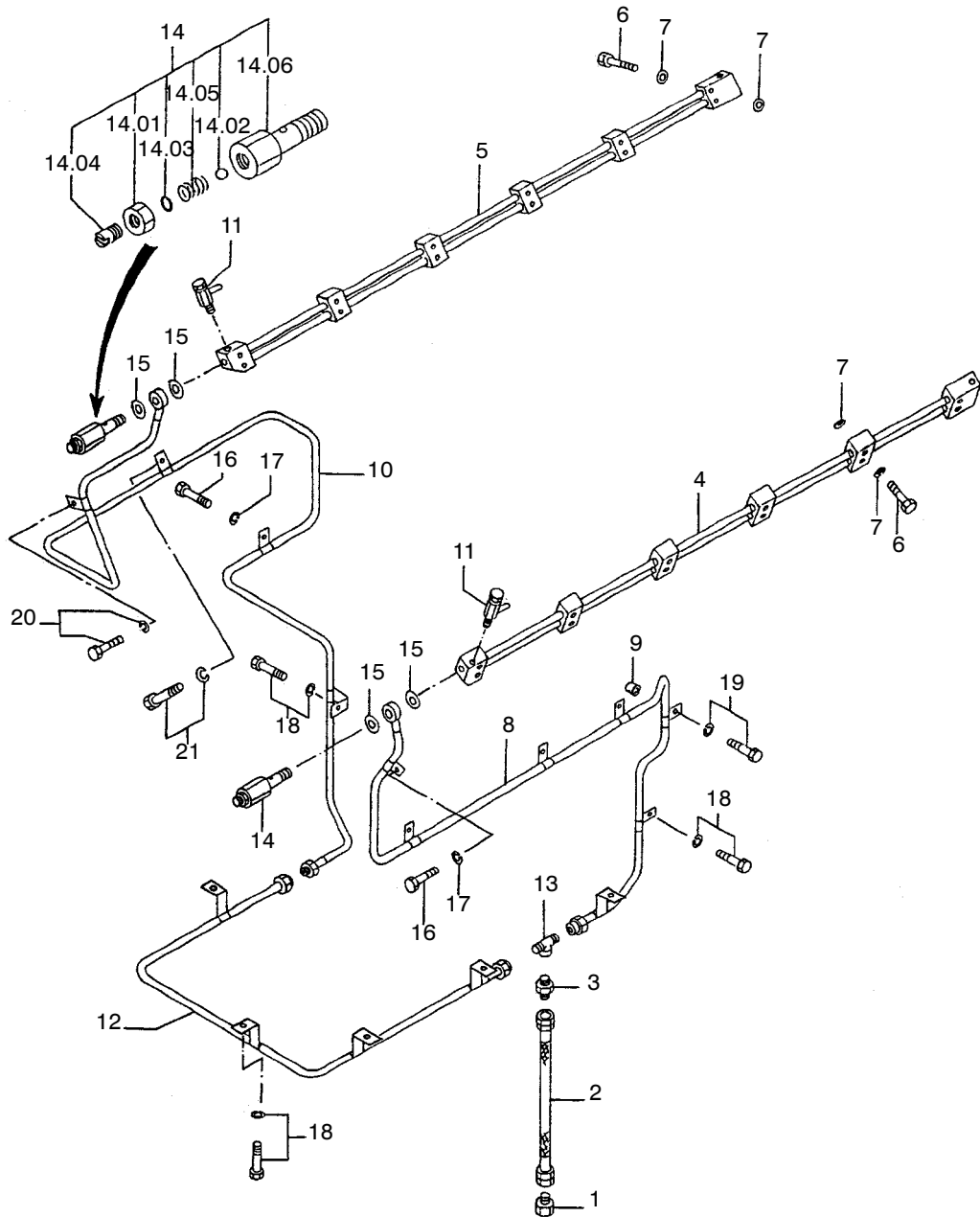


6064-62.1_

Group 62.1: Fuel Filter Piping

Item	Part Number	Description	Quantity
			Variation Number 1
1	GM15105	Bolt	1
2	GM15179	Washer, spring	1
3	GM15153	Bolt	7
4	GM14788	Bracket	1
5	Not used	Connector	2
6	Not used	Hose	2
7	GM14480	Connector	2
8	GM14796	Pipe, fuel	1
9	GM15144	Bolt	1
10	GM14791	Pipe, fuel	1
11	GM15235	Bolt, eye	1
12	GM14531	Washer, sealing	2
13	GM14460	Spacer	1
14	GM15106	Bolt	1
15	GM15179	Washer, spring	1
16	GM14792	Pipe, fuel	1
17	GM14797	Pipe, fuel	1
18	GM14530	Washer, sealing	16
19	GM14871	Pump, priming	1
20	GM15236	Bolt, eye	3
21	GM14532	Washer, sealing	6
22	GM15137	Bolt w/washer	2
23	GM14781	Bracket, priming pump	1
24	GM15139	Bolt w/washer	1
25	GM15147	Bolt	2
26	GM15235	Bolt, eye	3
27	GM14531	Washer, sealing	6
28	GM14793	Pipe, fuel	1
29	Not used	Pipe, fuel	1
30	GM14794	Pipe, fuel	1
31	Not used	Pipe, fuel	1
32	GM14795	Pipe, fuel	1
33	Not used	Pipe, fuel	1
34	GM14477	Spacer	1
35	GM14803	Pipe, fuel	1
36	Not used	Pipe, fuel	1
37	GM15235	Bolt, eye	2
38	GM14531	Washer, sealing	4
39	GM14993	Boss	3
40	GM14479	Clamp	4
41	GM15144	Bolt	2
42	GM15164	Nut	2
43	GM15119	Bolt	7
44	GM15180	Washer, spring	9
45	GM14476	Bolt	1
46	GM14547	Bolt	2
47	GM15158	Bolt	1
48	Not used	Spacer	1
49	Not used	Spacer	1
50	Not used	Bolt	1
51	GM15234	Bolt, eye	4

Group 62.2: Fuel Filter Return Piping

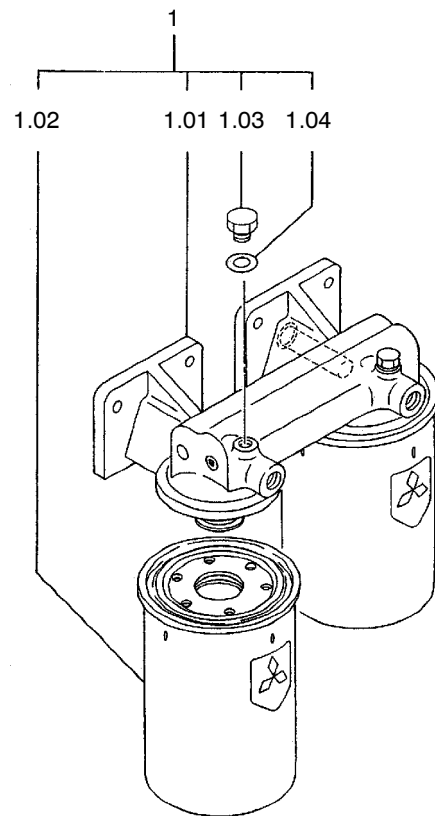


6064-62.2_

Group 62.2: Fuel Filter Return Piping

Item	Part Number	Description	Quantity
			Variation Number 1
1	GM14995	Connector	2
2	GM14996	Hose	2
3	GM14480	Connector	2
4	GM14798	Pipe, fuel, LS	1
5	GM14799	Pipe, fuel, RS	1
6	GM14914	Bolt, eye	24
7	GM14528	Washer, sealing	48
8	GM14800	Pipe, fuel return LS	1
9	GM14903	Spacer	1
10	GM14801	Pipe, fuel return RS	1
11	GM14989	Valve, air	2
12	GM14802	Pipe, return	1
13	GM14789	T-joint	1
14	GM15005	Valve, check	2
14.01	GM15171	Nut	2
14.02	GM15252	Ball, steel	2
14.03	GM14506	O-ring	2
14.04	GM15002	Screw	2
14.05	GM15003	Spring, valve	2
14.06	X	Body, valve	2
15	GM14530	Washer, sealing	4
16	GM15115	Bolt	3
17	GM15180	Washer, spring	3
18	GM15143	Bolt	7
19	GM15146	Bolt	1
20	GM15158	Bolt	2
21	GM15152	Bolt	1

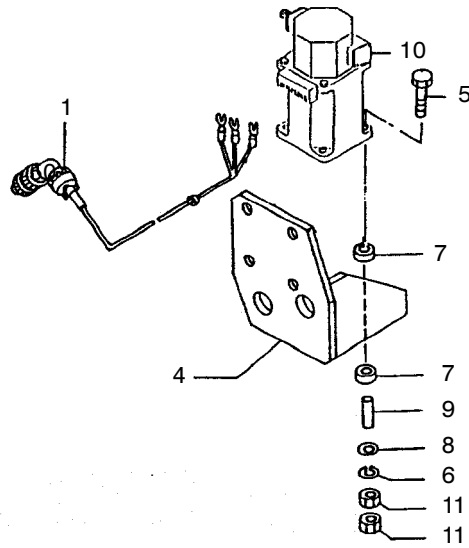
Group 62.3: Fuel Filter



6064-62.3

Item	Part Number	Description	Quantity
			Variation Number
1	GM14931	Filter assembly, fuel	2
1.01	GM14930	Bracket assembly	2
1.02	GM13947	Fuel filter	4
1.03	GM14609	Plug, air	2
1.04	GM14527	Washer	2

Group 63: Governor Drive

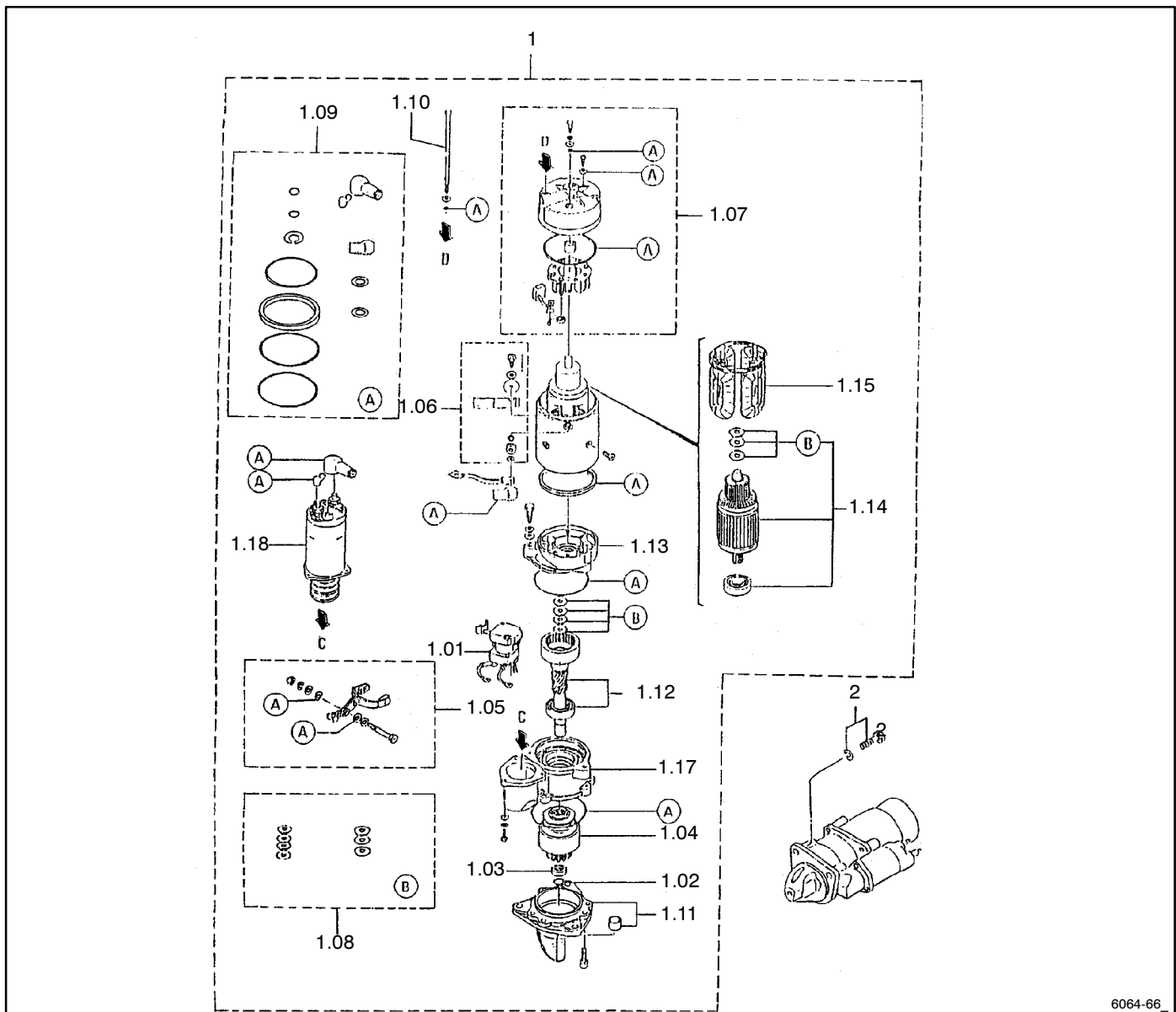


6064-63_

Item	Part Number	Description	Quantity	
			Variation Number 1	Variation Number 2
1	GM14487	Cable, connector	1	1
2	Not used		1	1
3	Not used		1	1
4	GM14804	Bracket, actuator	1	
4	GM14786	Lever, cancel		1
5	GM15100	Bolt	4	4
6	GM15177	Washer, spring	4	
7	Not used		8	8
8	Not used		4	4
9	Not used		4	4
10	GM14485	Actuator	1	1
11	GM15162	Nut	4	4

50 Hz engines use variation 1.
60 Hz engines use variation 2.

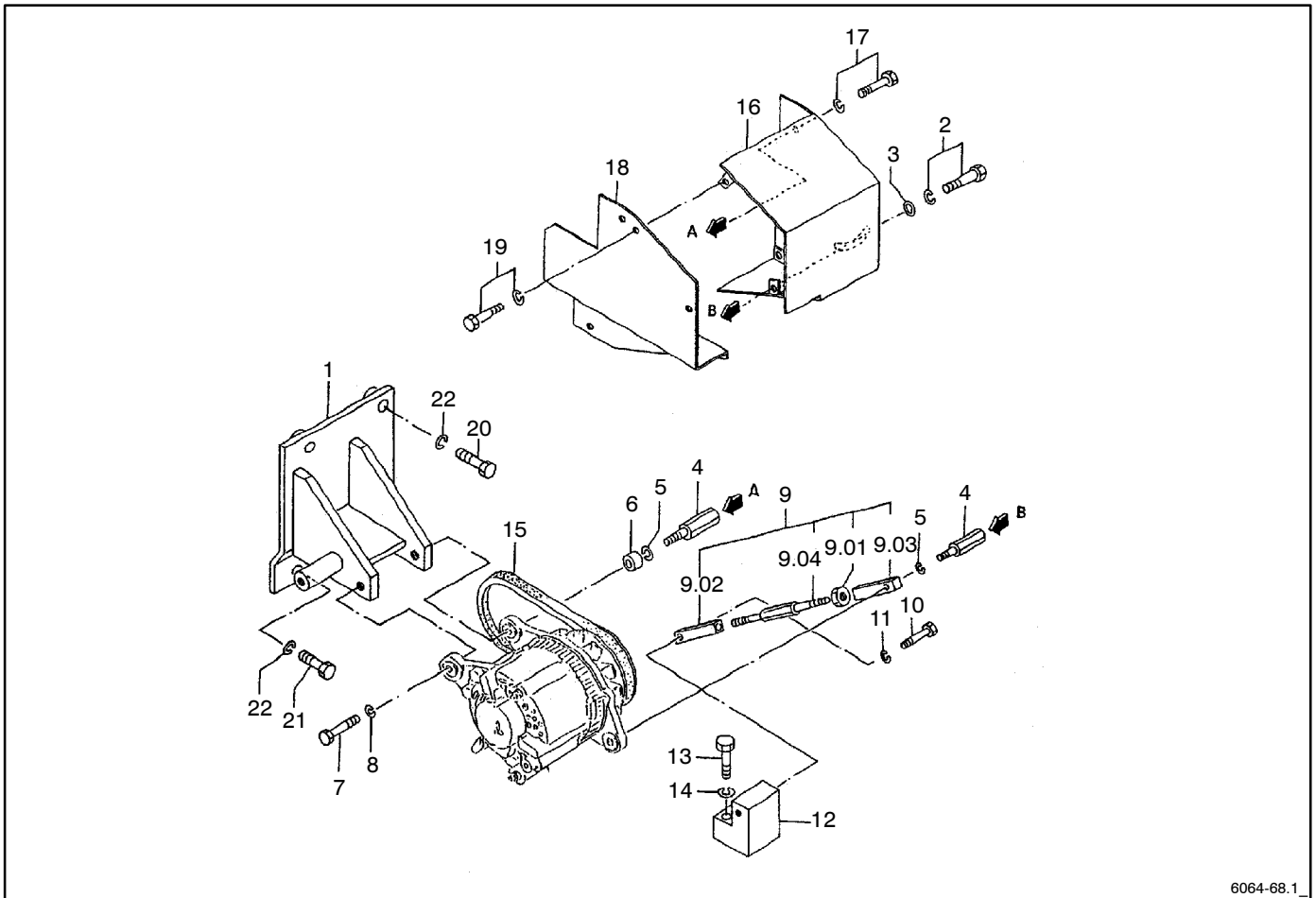
Group 66: Starter



6064-66

Item	Part Number	Description	Quantity
			Variation Number
1	GM14948	Starter	1
1.01	GM14933	Switch	1
1.02	GM14934	Clip, ring	1
1.03	GM14935	Stopper, pinion	1
1.04	GM14936	Clutch assembly	1
1.05	GM14937	Lever assembly	1
1.06	GM14938	Terminal	11
1.07	GM14939	Bracket assembly, rear	1
1.08	GM14940	Washer assembly	1
1.09	GM14941	Seal kit	1
1.1	GM14942	Bolt	2
1.11	GM14943	Bracket assembly, front	1
1.12	GM14944	Shaft assembly	1
1.13	GM14945	Bracket	1
1.14	GM14946	Armature assembly	1
1.15	GM14947	Coil, field	1
1.16	GM14949	Switch assembly	1
1.17	GM14950	Bracket	1
2	GM15152	Bolt	6

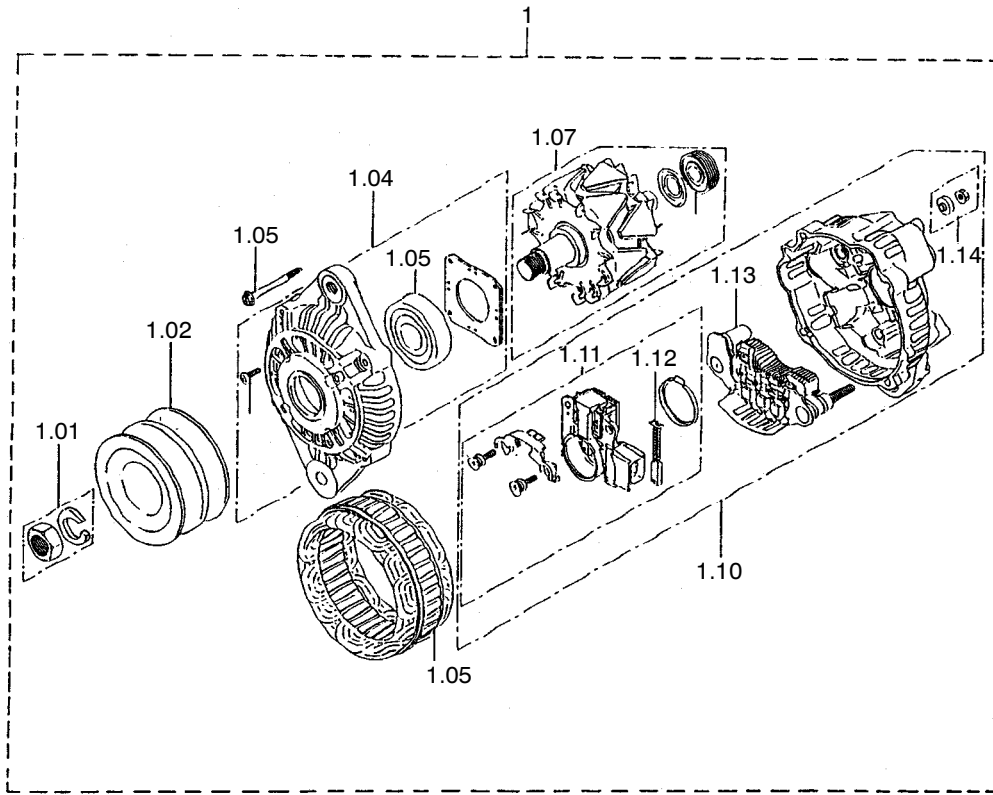
Group 68.1: Alternator Mounting



6064-68.1

Item	Part Number	Description	Quantity
			Variation Number
1	GM14806	Bracket, alternator	1
2	GM15149	Bolt w/washer	1
3	GM15175	Washer	1
4	GM14469	Bolt, alternator	2
5	GM15180	Washer, spring	2
6	GM14468	Spacer, alternator	1
7	GM15111	Bolt	1
8	GM15180	Washer, spring	1
9	GM14805	Rod assembly	1
9.01	GM15172	Nut	1
9.02	GM14466	Connector	1
9.03	GM14951	Rod	11
9.04	GM14986	Rod, adjusting	1
10	GM15110	Bolt	1
11	GM15180	Washer, spring	1
12	GM14807	Bracket, alternator	1
13	GM15112	Bolt	2
14	GM15180	Washer, spring	2
15	GM13948	Belt	1
16	GM14808	Cover, belt	1
17	GM15140	Bolt w/washer	1
18	GM14809	Cover, belt	1
19	GM15140	Bolt w/washer	5
20	GM15118	Bolt	2
21	GM15117	Bolt	2
22	GM15180	Washer, spring	4

Group 68.2: Alternator

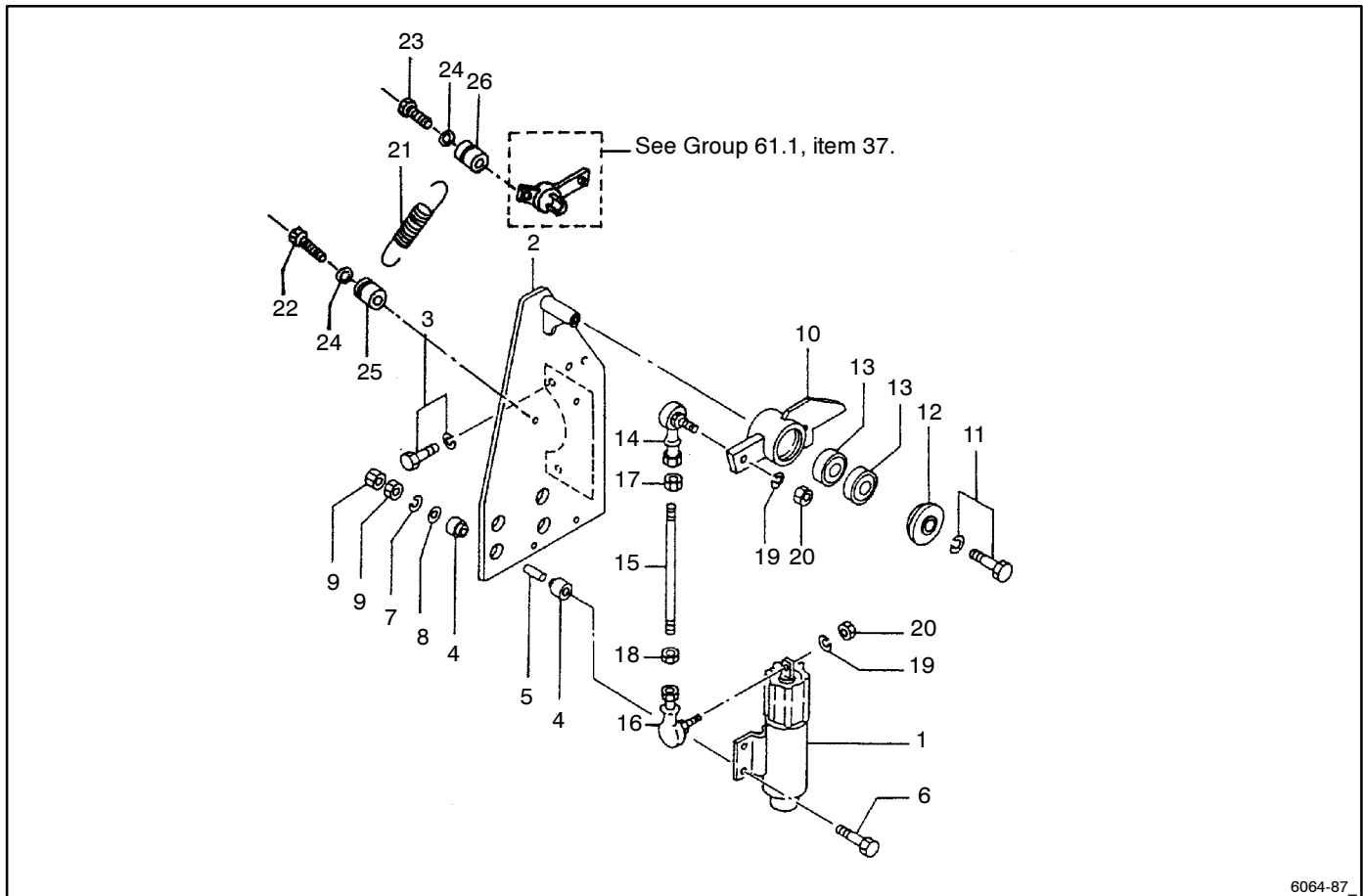


Parts without a reference number are not sold separately.

6064-68.2_

Item	Part Number	Description	Quantity
			Variation Number
			1
1	GM14483	Alternator	1
1.01	GM15092	Nut set	1
1.02	GM15093	Pulley	1
1.03	GM15090	Screw set	1
1.04	GM15094	Bracket	1
1.05	GM15091	Screw set	1
1.06	GM15134	Bearing	1
1.07	GM15099	Rotor assembly	1
1.08	GM15170	Bearing	1
1.09	GM15089	Stator	1
1.1	GM15095	Bracket	1
1.11	GM15098	Regulator	1
1.12	GM15096	Brush	2
1.13	GM15097	Rectifier	1
1.14	GM15952	Nut set	1
2	GM14635	Connector	1
2.01	Not used	Body, connector	1
2.02	Not used	Plug	2
2.03	Not used	Holder, rear	1
3	GM14618	Connector	1

Group 87: Stop System



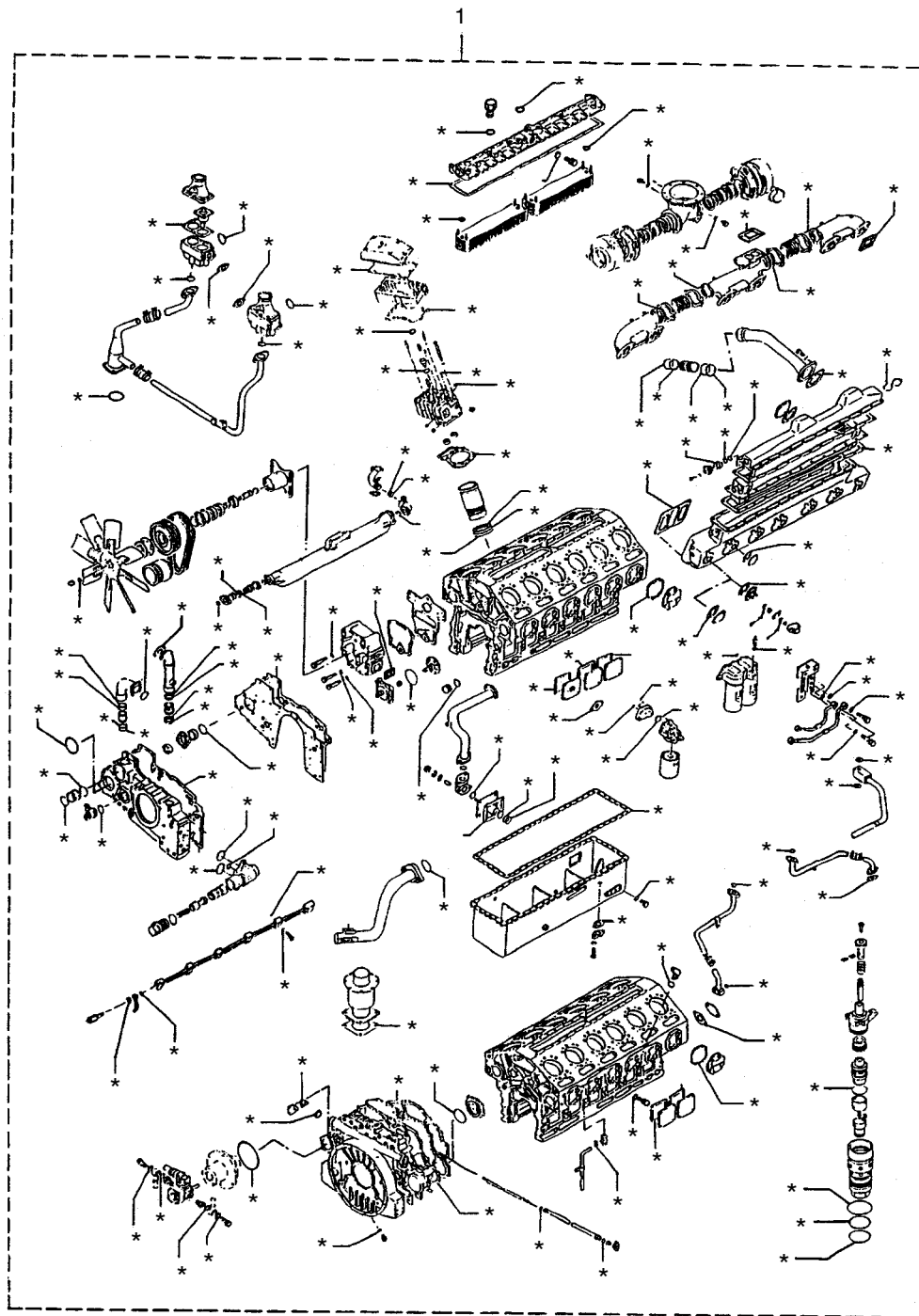
6064-87

Item	Part Number	Description	Quantity	
			Variation Number 1	Variation Number 2
1	GM14484	Solenoid, run-on	1	1
2	GM14811	Bracket, solenoid	1	1
3	GM15151	Bolt	4	4
4	GM14998	Cushion, rubber	8	8
5	GM14999	Spacer	4	4
6	GM15101	Bolt	4	4
7	GM15177	Washer, spring	4	4
8	GM14555	Washer	4	4
9	GM15162	Nut	8	8
10	GM14812	Lever, stop	1	1
11	GM15144	Bolt	1	1
12	GM14608	Plate, end	1	1
13	GM15256	Bearing, ball	2	2
14	GM14653	Joint, ball	1	4
15	GM14523	Rod	1	1
16	GM14654	Joint, ball	1	1
17	GM15162	Nut	1	1
18	GM14556	Nut	1	1
19	GM15177	Washer, spring	2	2
20	GM14522	Nut, lock	2	2
21	GM14769	Spring	1	
22	GM15100	Bolt	1	
23	GM15101	Bolt	1	
24	GM15177	Washer, spring	2	
25	GM14767	Pin, A	1	
26	GM14768	Pin, B	1	

50 Hz engines use variation 1.

60 Hz engines use variation 2.

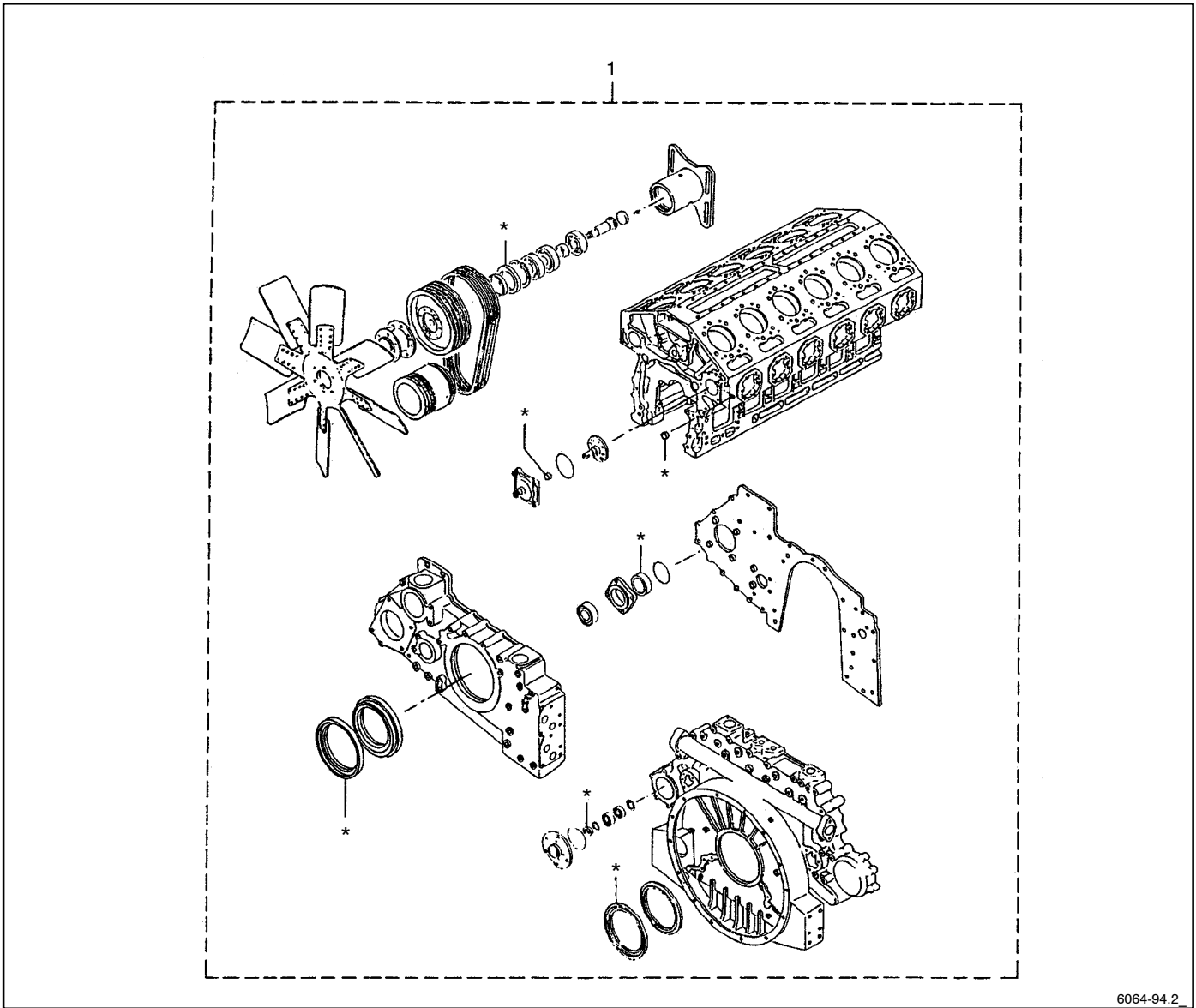
Group 94.1: Overhaul Gasket Kit



6064-94.1

Item	Part Number	Description	Quantity
			Variation Number
1	GM14813	Gasket kit, overhaul (Includes items marked with *.)	1

Group 94.2: Oil Seal Kit



6064-94.2

Item	Part Number	Description	Quantity
			Variation Number
1	GM14814	Seal kit (Includes items marked with *.)	1

