

Service Parts

Engine

Engine Models:

Mitsubishi S6R-PTA

Generator Models:

600 kW

Table of Contents

Group 1: Cylinder Head	2
Group 4: Valve Mechanism and Rocker Cover	4
Group 5: Camshaft	6
Group 7.1: Crankcase Assembly	8
Group 7.2: Crankcase	10
Group 11: Timing Gear Case	12
Group 13: Oil Pan	14
Group 14: Engine Mounting	15
Group 17: Piston and Connecting Rod	16
Group 20: Crankshaft, Flywheel, and Damper	17
Group 23: Timing Gear	18
Group 25.1: Accessory Drive, Front	19
Group 25.2: Accessory Drive, Rear	20
Group 25.3: Hourmeter Drive	21
Group 30: Intake System and Air Heater	22
Group 32.1: Exhaust System	24
Group 32.2: Exhaust Elbow	25
Group 33: Turbocharger	26
Group 35: Oil Pump	27
Group 36.1: Oil Strainer	28
Group 36.2: Oil Pipe	29
Group 36.3: Turbocharger Oil Lines	30
Group 39: Oil Cooler	31
Group 40: Oil Filter	32
Group 42: Oil Filler and Breather	33
Group 43: Breather	34
Group 45: Water Pump	36
Group 46.1: Thermostat and Covers	38
Group 46.2: Water Pump Pipes	40
Group 48: Fan Drive	42
Group 55: Air Cooler	44
Group 61.1: Fuel Injection Pump Bracket	46
Group 61.2: Fuel System	48
Group 61.3: Nozzle Assembly	50
Group 61.4: Injection Pump	52
Group 61.5: Feed Pump	56
Group 61.6: Fuel Leakoff Pipe	57
Group 62.1: Fuel Filter Piping	58
Group 62.2: Fuel Filter	60
Group 63.2: Governor Pipe	61
Group 63.3: Governor Control	62
Group 63.4: Governor	63
Group 66: Starter	64
Group 68.1: Alternator Mounting	65
Group 68.2: Alternator	66
Group 71: Turning Gear	68
Group 87: Stop System	70
Group 94.1: Overhaul Gasket Kit	72
Group 94.2: Oil Seal Kit	74

Introduction

This manual lists service replacement parts for 600 kW generator sets.

At the time of print this manual applied to the generator set specification (spec) numbers listed in the Specification Number Index. On occasion this manual may apply to specs not listed in the Specification Number Index.

Information in this publication represents data available at the time of print. Kohler Co. reserves the right to change this publication and the products represented without notice and without any obligation or liability whatsoever.

This manual includes the following main sections:

Table of Contents. Lists the sections of the manual.

Introduction (and other information sections). Contains introductory material about part numbers, illustrations, and hardware.

Group Parts Lists. List the part numbers of parts in the groups.

Numbering System Significance

This manual uses the following numbering systems:

Group Number. A unique number representing a parts group needed to assemble a generator set function. For example, Group 101 is the Air Intake group.

Part Number. The part number identifies an individual assembly, subassembly, component, or accessory kit.

Illustrations

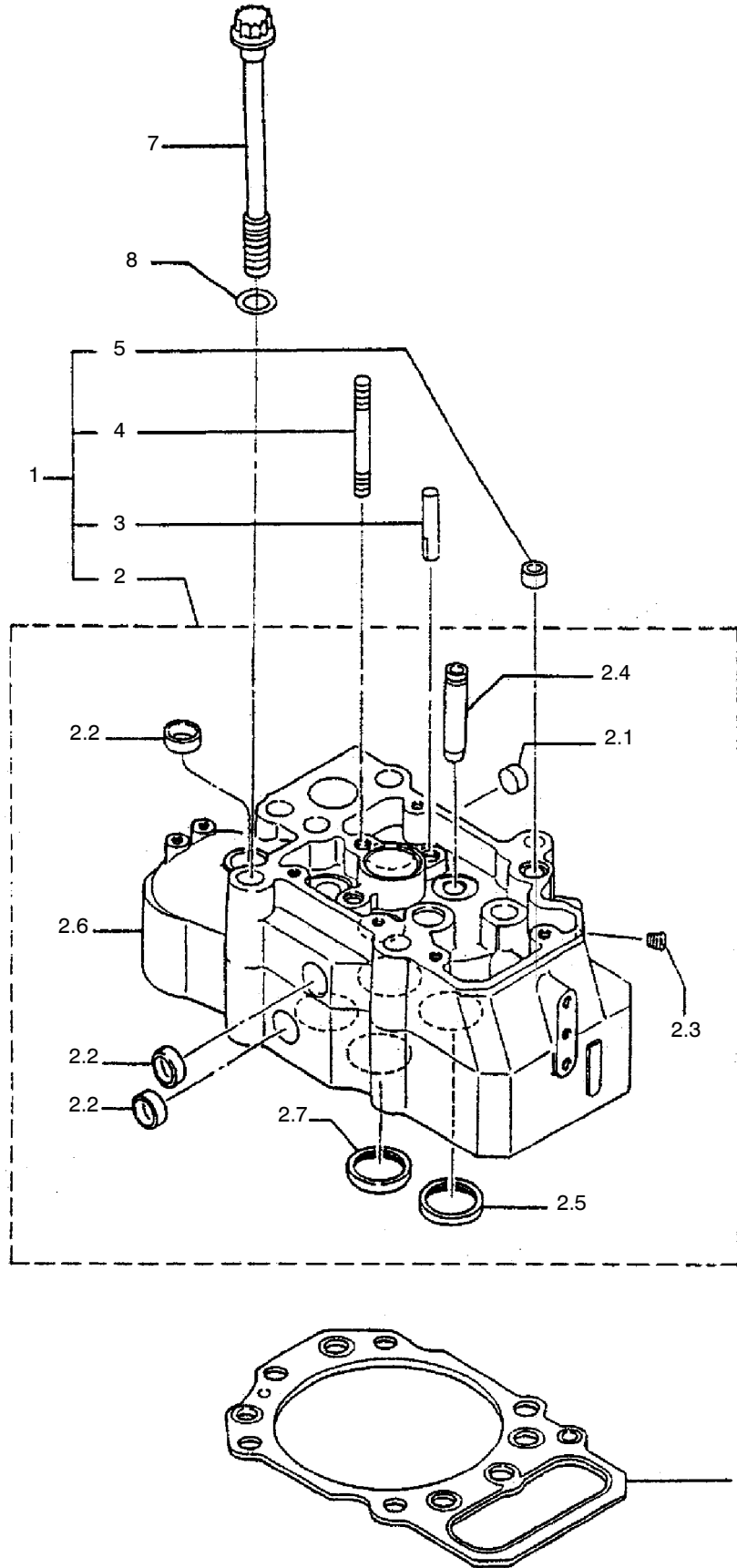
Illustrations (or exploded-view drawings) best representing the widest range of variations accompany most groups in this manual. Illustrations do not depict all details and may not show all parts. Do not substitute illustrations for assembly or disassembly instructions.

How to Find Part Numbers

Use the following steps to locate a service replacement part.

1. **Identify the group** most likely to include the service part number.
2. **Page forward to locate the group** identified in step 1 or find the appropriate page in the Table of Contents.
3. **Find the part on the illustration** and note the item number of the part or **find the part description in the parts list.**

Group 1: Cylinder Head



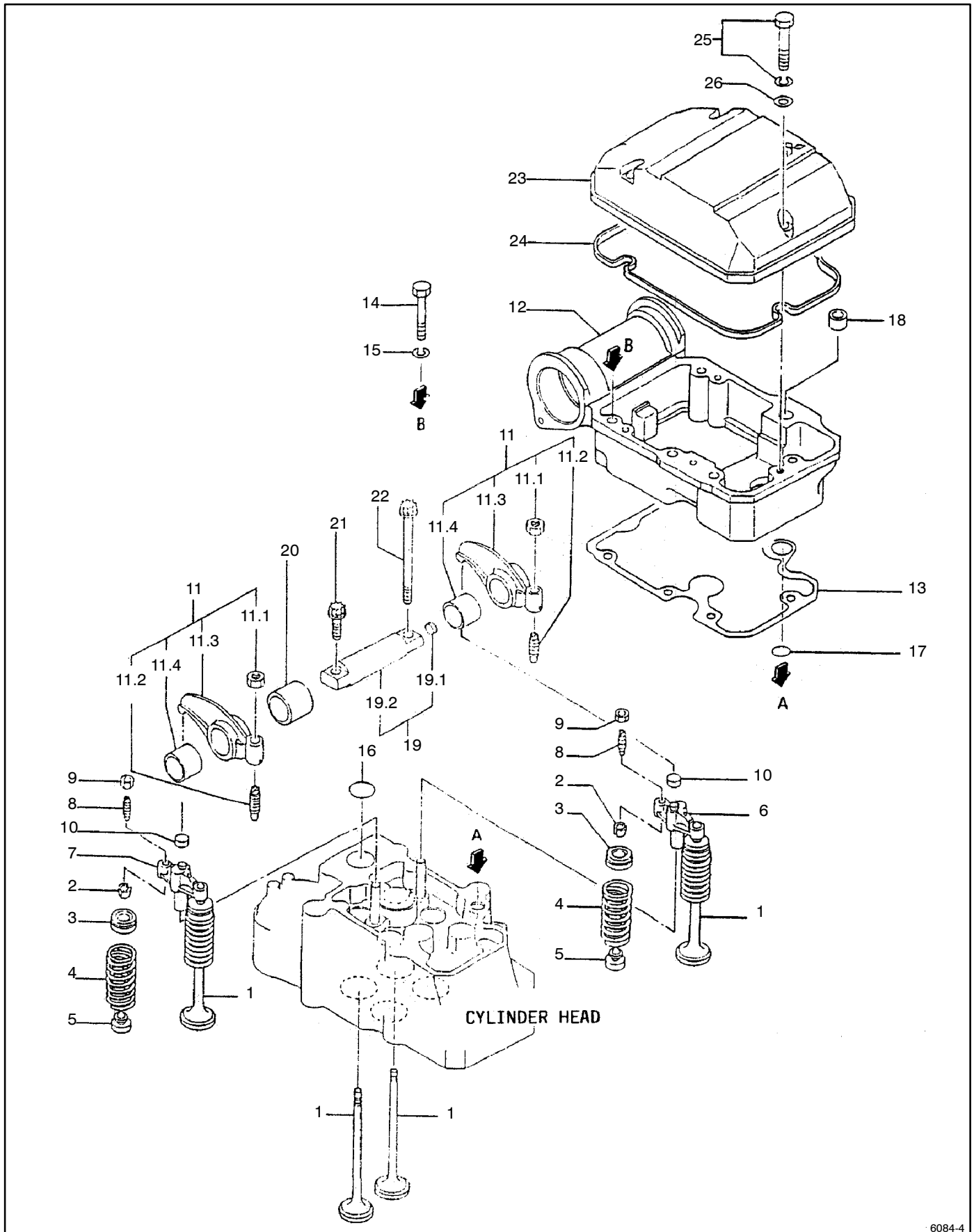
6084-1

Group 1: Cylinder Head

Item	Part Number	Description	Quantity
			Variation Number 1
1	GM15553	Head assembly, cylinder	6
2	X	Head subassembly, cylinder	6
2.1	GM14490	Cap, sealing	6
2.2	GM15518	Cap, sealing	42
2.3	GM15520	Plug, tapered	6
2.4	GM15590	Guide, valve	24
2.5	GM15602	Seat, valve, exhaust	24
2.6	X	Head, cylinder	6
2.7	GM15603	Seat, valve, inlet	12
3	GM14625	Guide	12
4	GM14915	Stud	6
5	GM14916	Pin, dowel	6
6	GM15554	Gasket, cylinder head	6
7	GM15604	Bolt, cylinder head	36
8	GM14628	Washer	36

X Item not sold separately

Group 4: Valve Mechanism and Rocker Cover



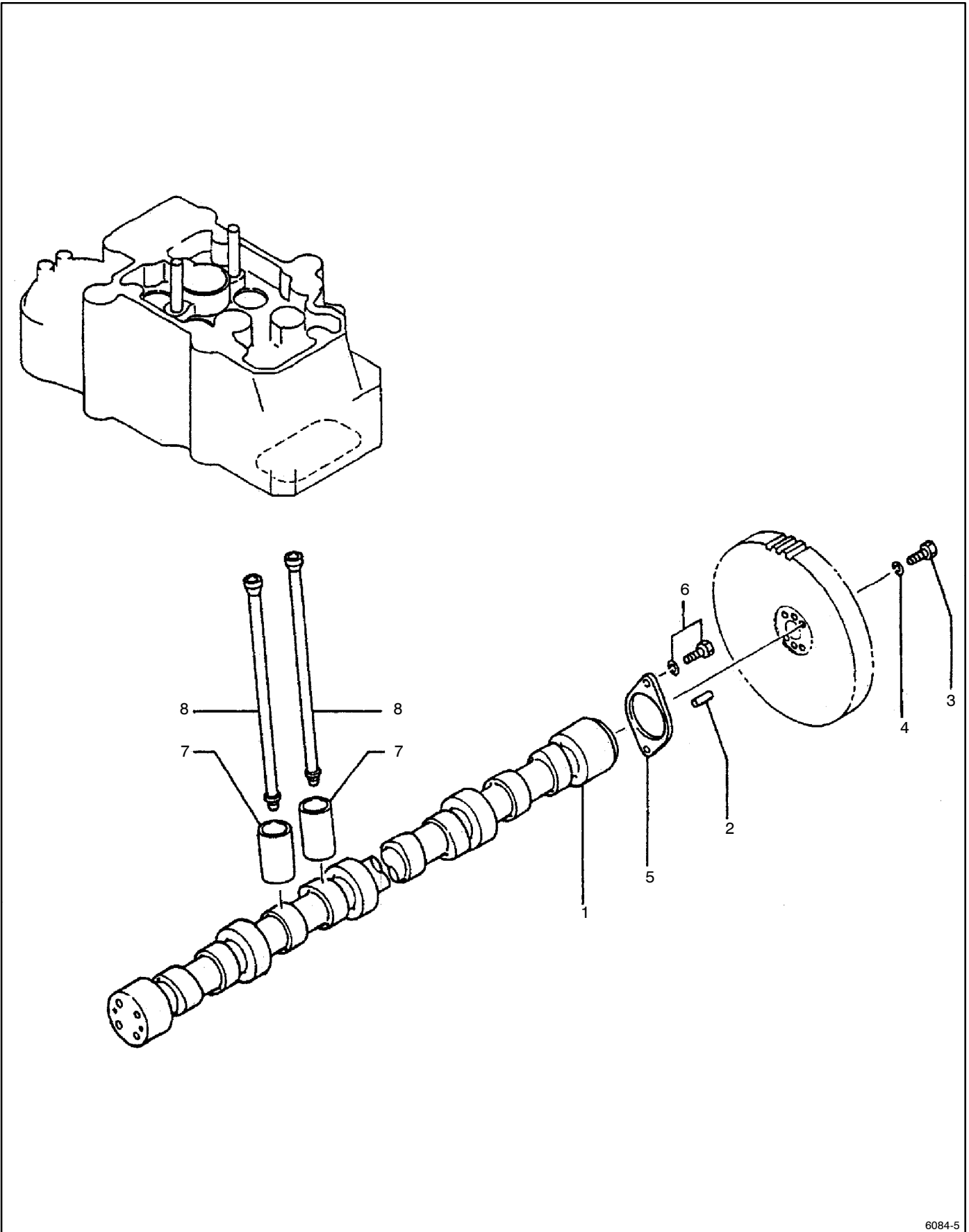
6084-4

Group 4: Valve Mechanism and Rocker Cover

Item	Part Number	Description	Quantity
			Variation Number 1
1	GM15611	Valve	24
2	GM14570	Cotter	48
3	GM14918	Rotator	24
4	GM15606	Spring, valve	24
5	GM14626	Seal	24
6	GM15607	Bridge	6
7	GM15608	Bridge	6
8	GM14893	Screw	12
9	GM15166	Nut	12
10	GM14557	Cap	12
11	GM15613	Rocker assembly	12
11.1	GM15167	Nut	12
11.2	GM14892	Screw	12
11.3	X	Rocker	12
11.4	GM15615	Bushing, rocker	12
12	GM15614	Case, rocker	6
13	GM15612	Packing	6
14	GM15959	Bolt	30
15	GM15180	Washer, spring	30
16	GM15202	O-ring	6
17	GM15526	O-ring	6
18	GM14916	Pin, dowel	6
19	GM15616	Shaft assembly, rock	6
19.1	GM14489	Cap, sealing	6
19.2	X	Shaft, rocker	6
20	GM15605	Spacer, rocker	6
21	GM16045	Bolt, flange	6
22	GM15609	Bolt	6
23	GM15610	Cover, rocker	6
24	GM15617	O-ring, rocker cover	6
25	GM15978	Bolt w/washer	18
26	GM15174	Washer, plain	18

X Item not sold separately

Group 5: Camshaft

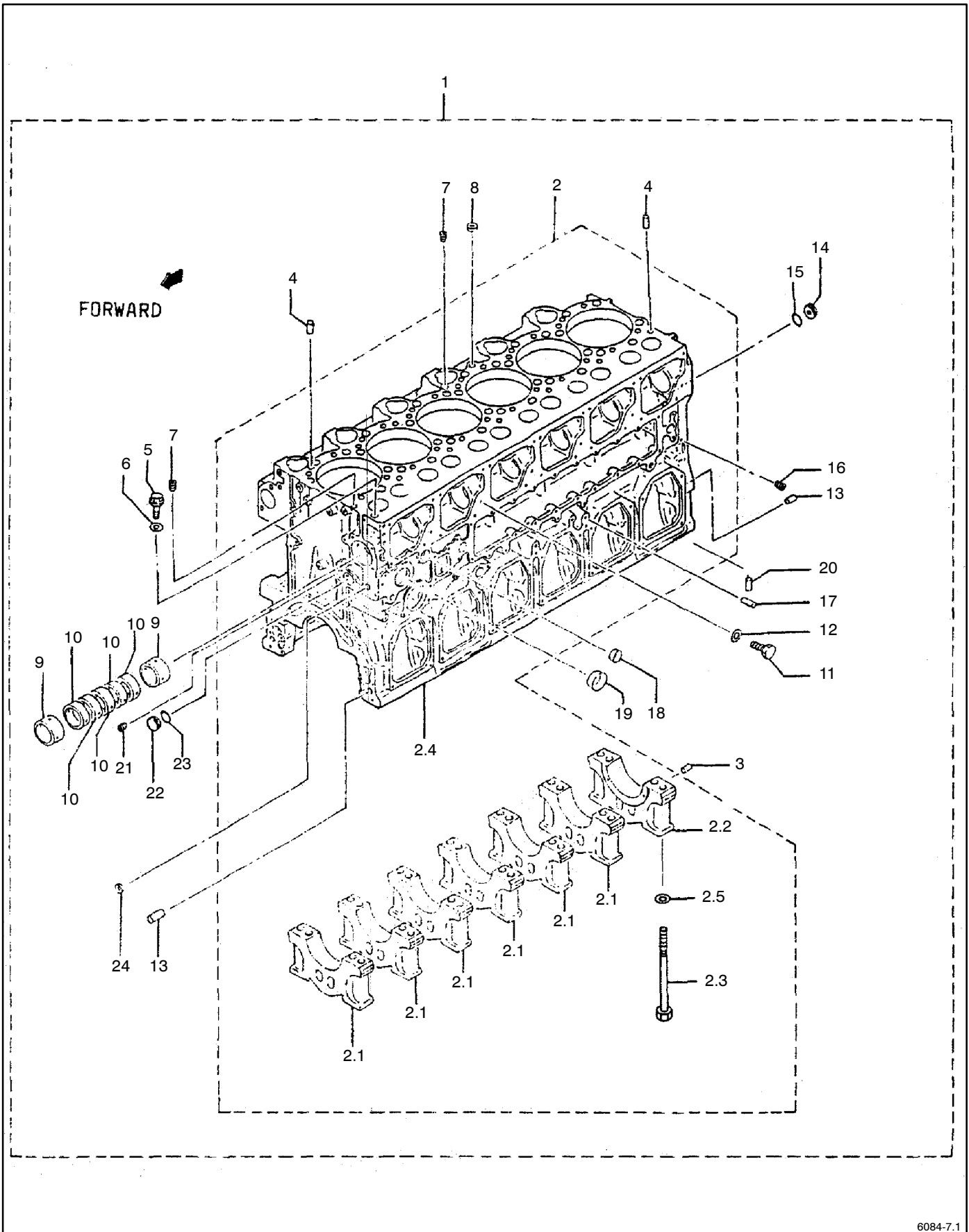


6084-5

Group 5: Camshaft

Item	Part Number	Description	Quantity
			Variation Number 1
1	GM15620	Camshaft	1
2	GM15187	Pin	2
3	GM15111	Bolt	4
4	GM15180	Washer, spring	4
5	GM15618	Plate, cam thrust	1
6	GM15151	Bolt	2
7	GM15621	Tappet	12
8	GM15619	Rod, push	12

Group 7.1: Crankcase Assembly



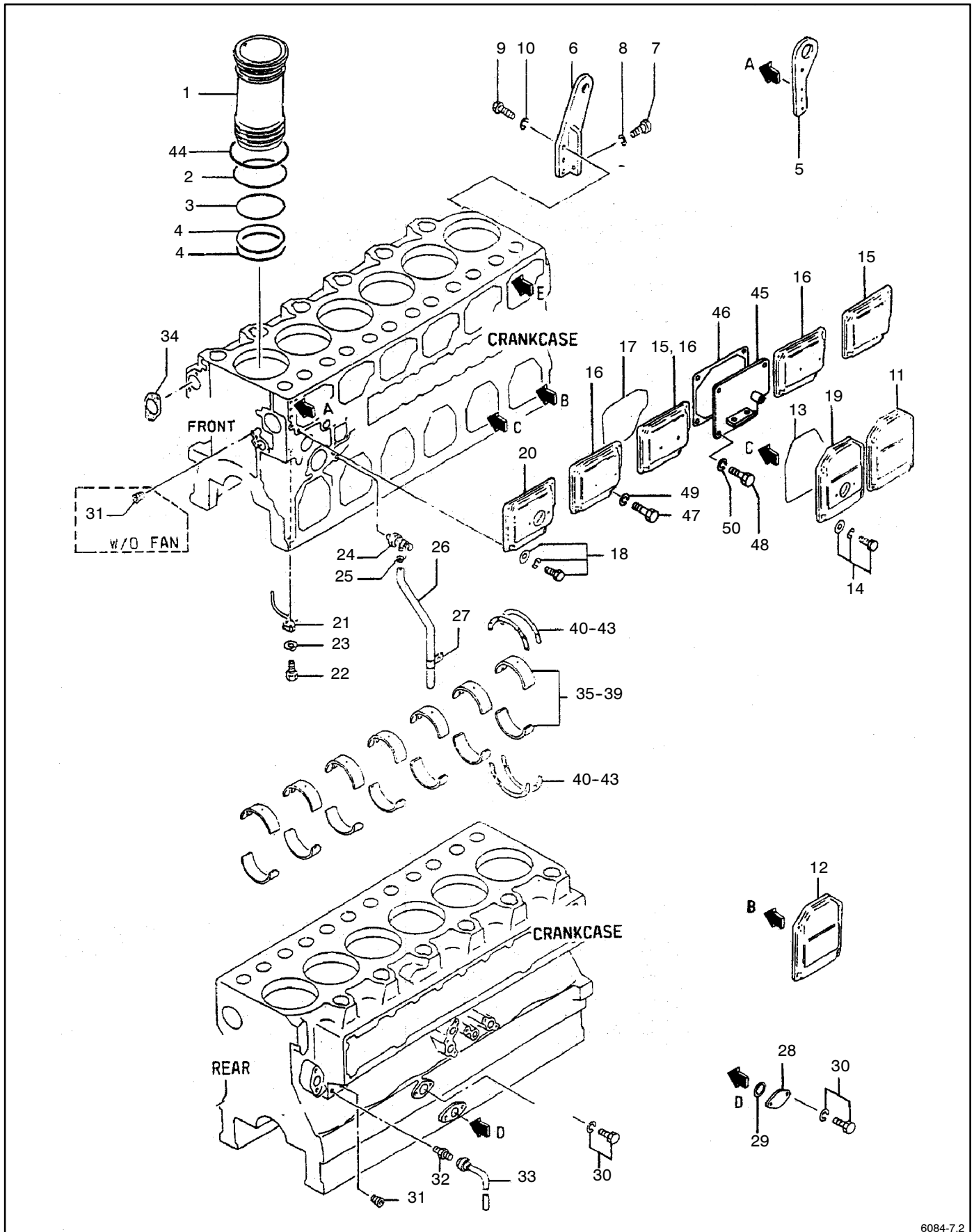
6084-7.1

Group 7.1: Crankcase Assembly

Item	Part Number	Description	Quantity
			Variation Number 1
1	GM15644	Crankcase assembly	1
2	X	Crankcase subassembly	1
2.1	X	Bearing, cap	6
2.2	X	Bearing, cap	1
2.3	GM15640	Bolt, bearing cap	28
2.4	X	Crankcase	1
2.5	GM14628	Washer	28
3	GM14619	Pin, dowel	6
4	GM14563	Pin, dowel	12
5	GM15237	Plug, screw	1
6	GM14529	Washer, sealing	1
7	GM14496	Plug, tapered	2
8	GM14490	Sealing cap	1
9	GM15625	Bushing, cam	2
10	GM15626	Bushing, cam	5
11	GM15627	Bolt set	7
12	GM14529	Washer, sealing	7
13	GM15190	Pin, dowel	2
14	GM15622	Plate, nozzle	1
15	GM14503	O-ring	1
16	GM14496	Plug, tapered	1
17	GM15188	Pin, dowel	2
18	GM15519	Cap, sealing	1
19	GM15567	Cap, sealing	1
20	GM15187	Pin	2
21	GM15520	Plug, tapered	1
22	GM14610	Plate	1
23	GM14503	O-ring	1
24	GM15517	Cap, sealing	1

X Item not sold separately

Group 7.2: Crankcase

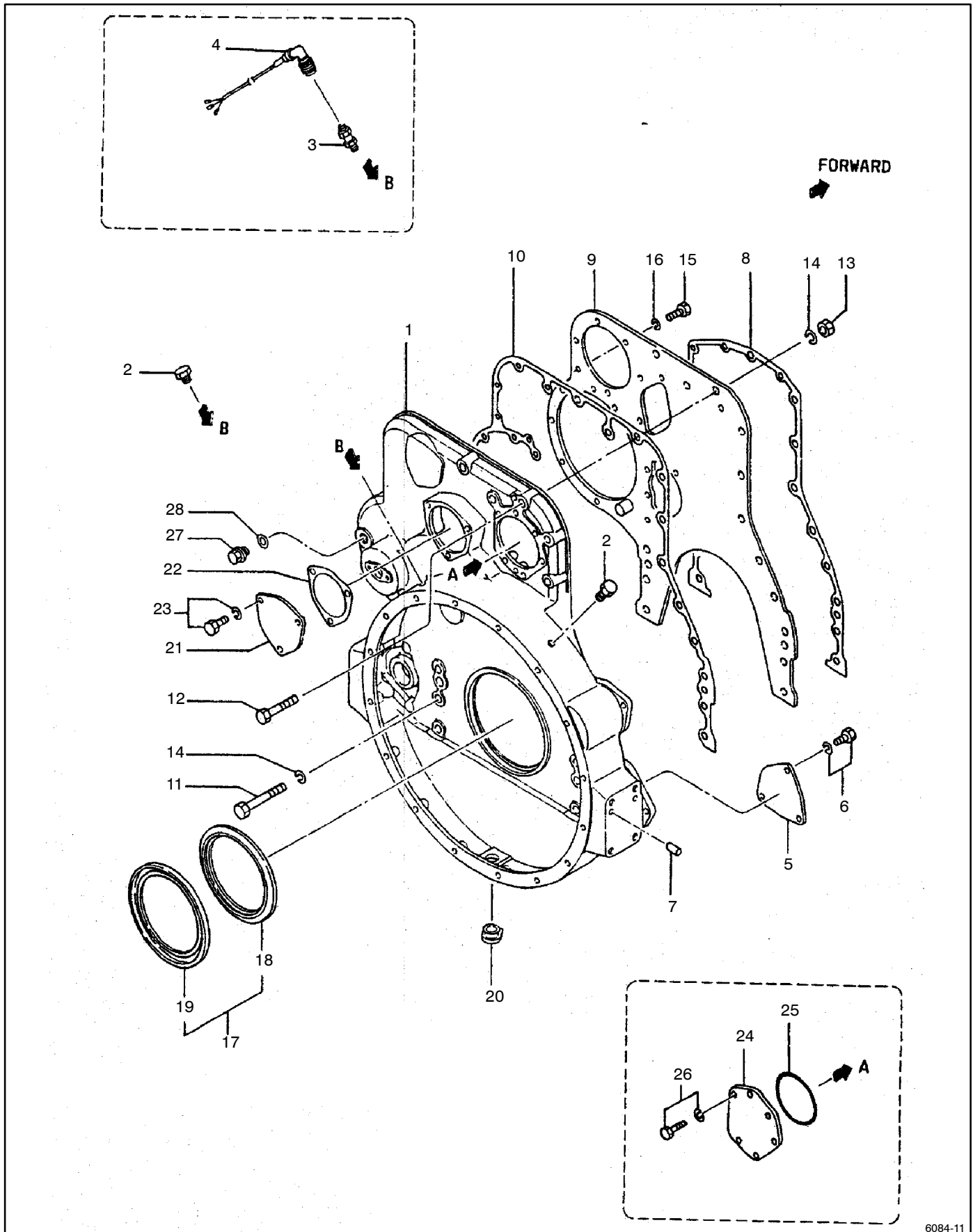


6084-7.2

Group 7.2: Crankcase

Item	Part Number	Description	Quantity
			Variation Number 1
1	GM15636	Liner, cylinder	6
2	GM15641	O-ring, liner	6
3	GM15591	O-ring, liner	6
4	GM15592	O-ring, liner	12
5	GM15623	Hanger	1
6	GM15634	Hanger, rear	1
7	GM15963	Bolt	2
8	GM15182	Washer, spring	2
9	GM15109	Bolt	6
10	GM15180	Washer, spring	6
11	GM15632	Cover, side	4
12	GM15630	Cover, side	1
13	GM15642	O-ring	6
14	GM15157	Bolt	24
15	GM15637	Cover	1
16	GM15639	Cover, cam room	3
17	GM15643	O-ring	5
18	GM15157	Bolt	17
19	GM15633	Cover	1
20	GM15638	Cover, cam room	1
21	GM15635	Nozzle	6
22	GM15261	Valve	6
23	GM14887	Washer	6
24	GM14622	Cock, drain	1
25	GM14558	Clamp	1
26	GM16023	Tube, vinyl	1
27	GM15558	Clamp	1
28	GM15629	Cover	1
29	GM16011	O-ring	1
30	GM15150	Bolt	4
31	GM15242	Plug, tapered	2
32	GM15230	Connector	1
33	GM14997	Pipe	1
34	GM15794	Gasket	1
35	GM15645	Bearing, main (std)	7
36	GM15646	Bearing, main (0.25 mm undersize)	7
37	GM15647	Bearing, main (0.5 mm undersize)	7
38	GM15648	Bearing, main (0.75 mm undersize)	7
39	GM15649	Bearing, main (1 mm undersize)	7
40	GM15650	Plate, thrust (std)	4
41	GM15651	Plate, thrust (0.25 mm oversize)	4
42	GM15652	Plate, thrust (0.5 mm oversize)	4
43	GM15653	Plate, thrust (0.75 mm oversize)	4
44	GM15624	Ring, seal	6
45	GM15628	Cover, cam room	1
46	GM15863	Gasket	1
47	GM15113	Bolt	1
48	GM15108	Bolt	4
49	GM15180	Washer, spring	1
50	GM15180	Washer, spring	4

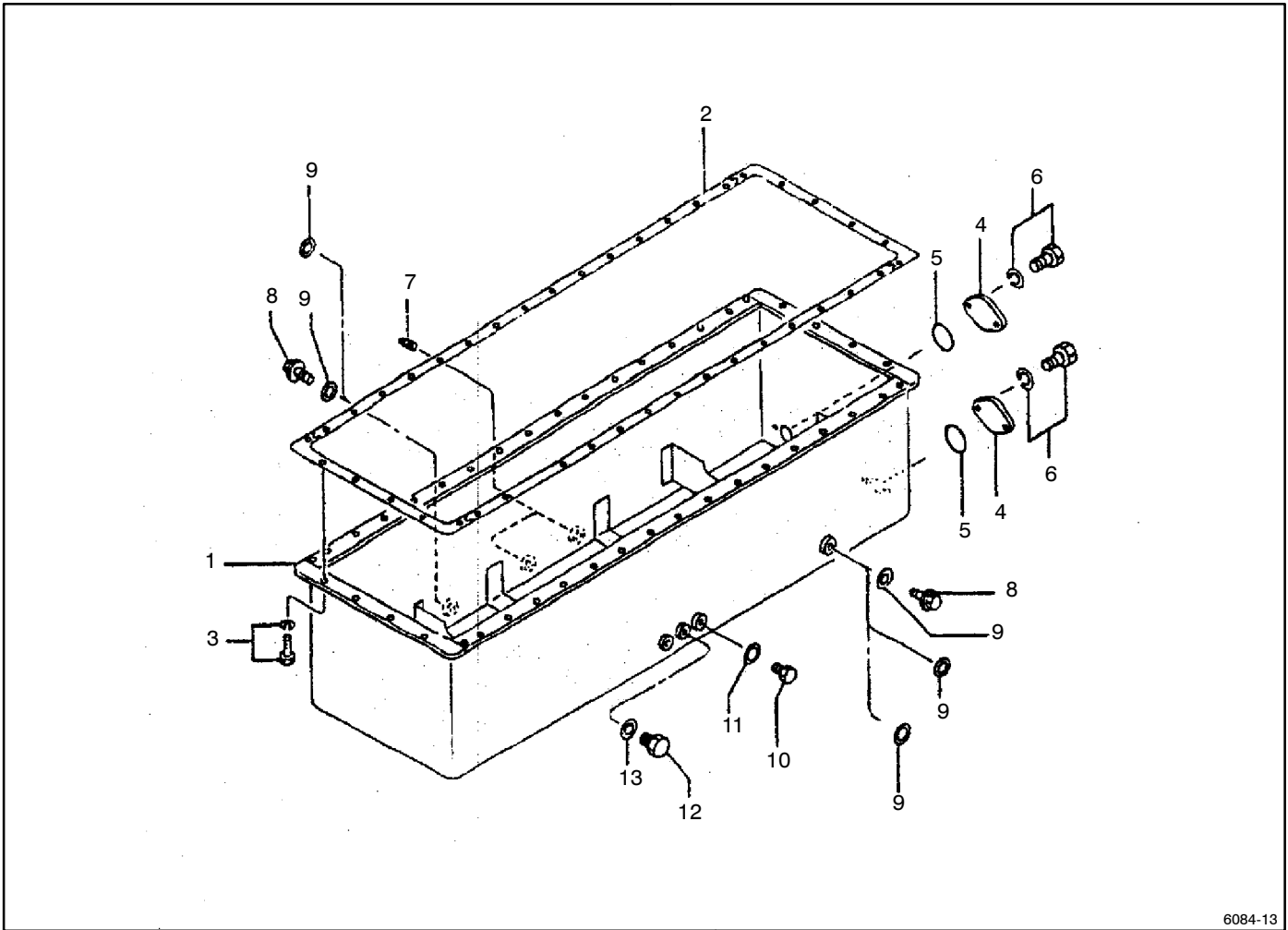
Group 11: Timing Gear Case



Group 11: Timing Gear Case

Item	Part Number	Description	Quantity
			Variation Number 1
1	GM15660	Case, timing gear	1
2	GM14901	Plug	1
3	GM14486	Pickup	1
4	GM15516	Cable, connector	1
5	GM14888	Cover	1
6	GM15149	Bolt w/washer	3
7	GM15188	Pin, dowel	4
8	GM15656	Packing	1
9	GM15659	Plate, rear	1
10	GM15657	Packing	1
11	GM15124	Bolt	9
12	GM15964	Bolt	5
13	GM15984	Nut	2
14	GM15182	Washer, spring	14
15	GM15108	Bolt	6
16	GM15180	Washer, spring	6
17	GM15655	Seal assembly, oil rear	1
18	GM15593	Slinger	1
19	GM14920	Seal, oil	1
20	GM14459	Plug	1
21	GM15658	Cover	1
22	GM15654	Gasket	1
23	GM15140	Bolt w/washer	3
24	GM15556	Cover	1
25	GM16008	O-ring	1
26	GM15140	Bolt w/washer	6
27	GM15240	Plug, drain	1
28	GM14533	Washer, sealing	1

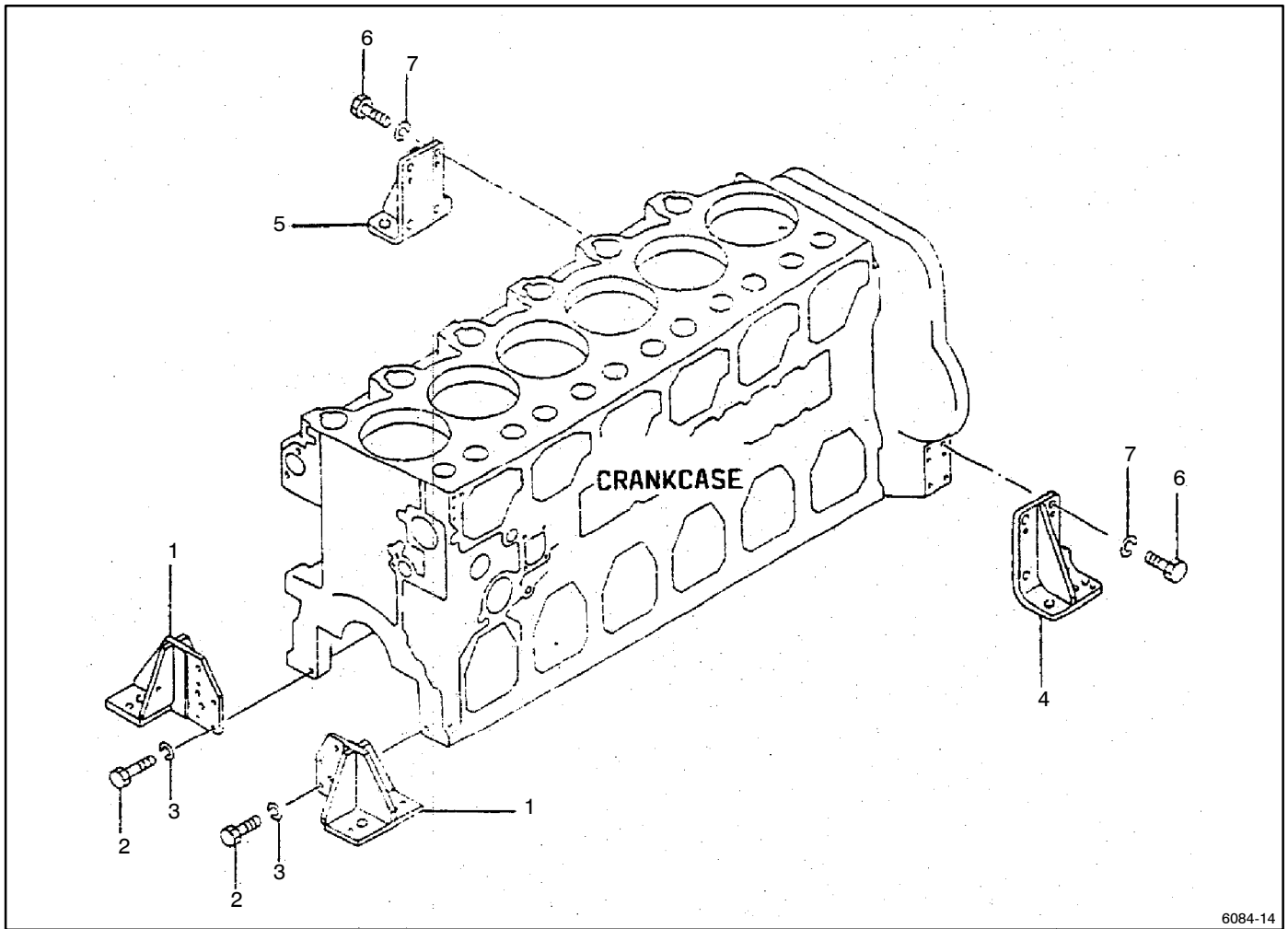
Group 13: Oil Pan



6084-13

Item	Part Number	Description	Quantity
			Variation Number
1	GM15662	Pan, oil	1
2	GM15661	Packing	1
3	GM15151	Bolt	41
4	GM14627	Cover	2
5	GM16012	O-ring	2
6	GM15150	Bolt	4
7	GM16035	Plug, tapered	2
8	GM15241	Plug, drain	2
9	GM14534	Washer, sealing	2
10	GM15239	Plug, drain	1
11	GM14532	Washer, sealing	1
12	GM15238	Plug, screw	1
13	GM14531	Washer, sealing	1

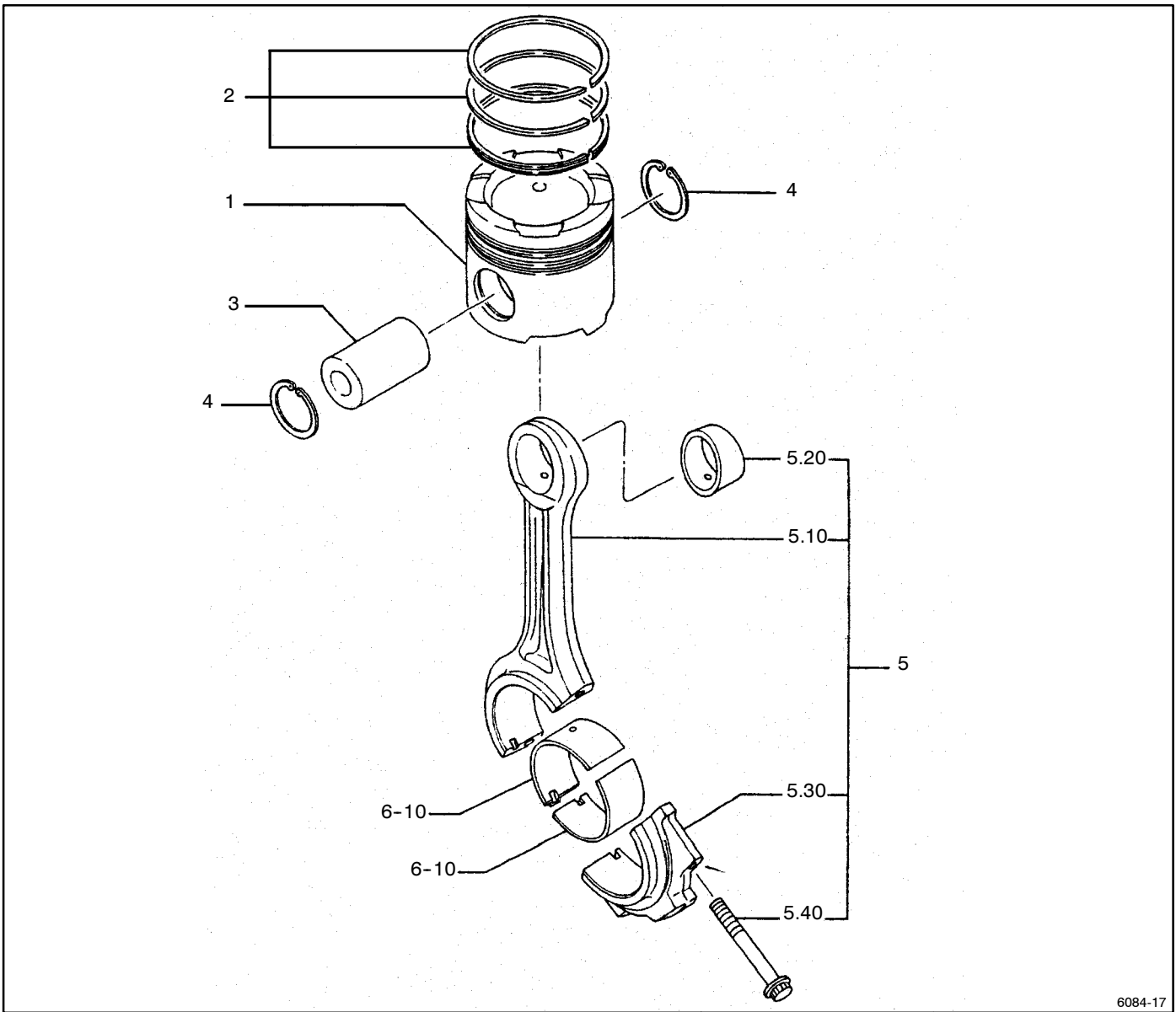
Group 14: Engine Mounting



6084-14

Item	Part Number	Description	Quantity
			Variation Number 1
1	GM15663	Bracket, front	2
2	GM15118	Bolt	10
3	GM15180	Washer, spring	10
4	GM15665	Bracket, mounting RS	1
5	GM15664	Bracket, mounting LS	1
6	GM15963	Bolt	8
7	GM15182	Washer, spring	8

Group 17: Piston and Connecting Rod

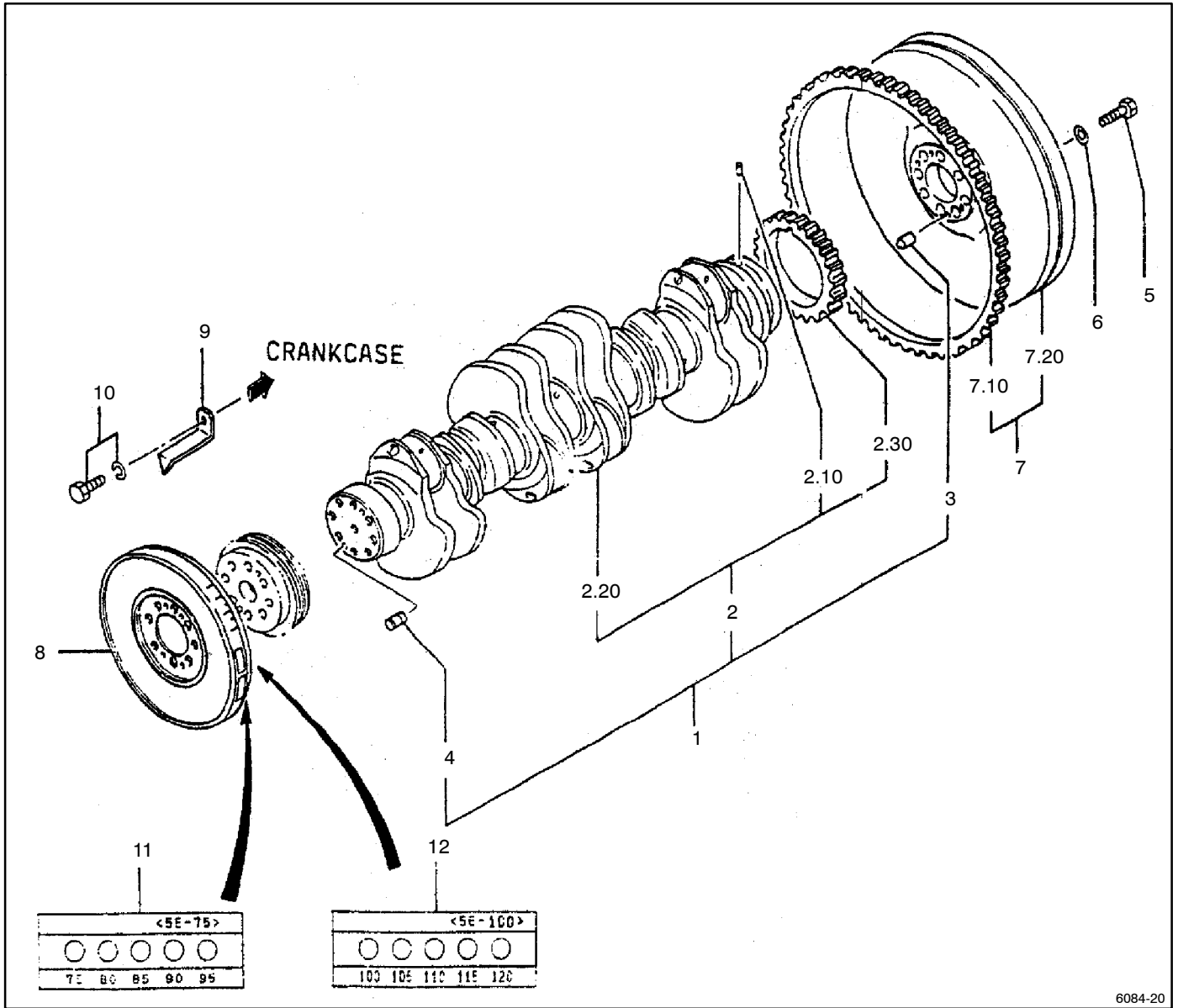


6084-17

Item	Part Number	Description	Quantity
			Variation Number
			1
1	GM15668	Piston	6
2	GM15666	Ring set, piston	6
3	GM15667	Pin, piston	6
4	GM16019	Ring, snap	12
5	GM15671	Connecting rod assembly	6
5.10	X	Connecting rod	6
5.20	GM15669	Bushing, connecting rod	6
5.30	X	Cap, connecting rod	6
5.40	GM15670	Bolt, connecting rod	12
6	GM15672	Bearing, connecting rod (std)	12
7	GM15673	Bearing, con. rod (0.25 mm undersize)	12
8	GM15674	Bearing, con. rod (0.5 mm undersize)	12
9	GM15675	Bearing, con. rod (0.75 mm undersize)	12
10	GM15676	Bearing, con. rod (1 mm undersize)	12

X Item not sold separately

Group 20: Crankshaft, Flywheel, and Damper

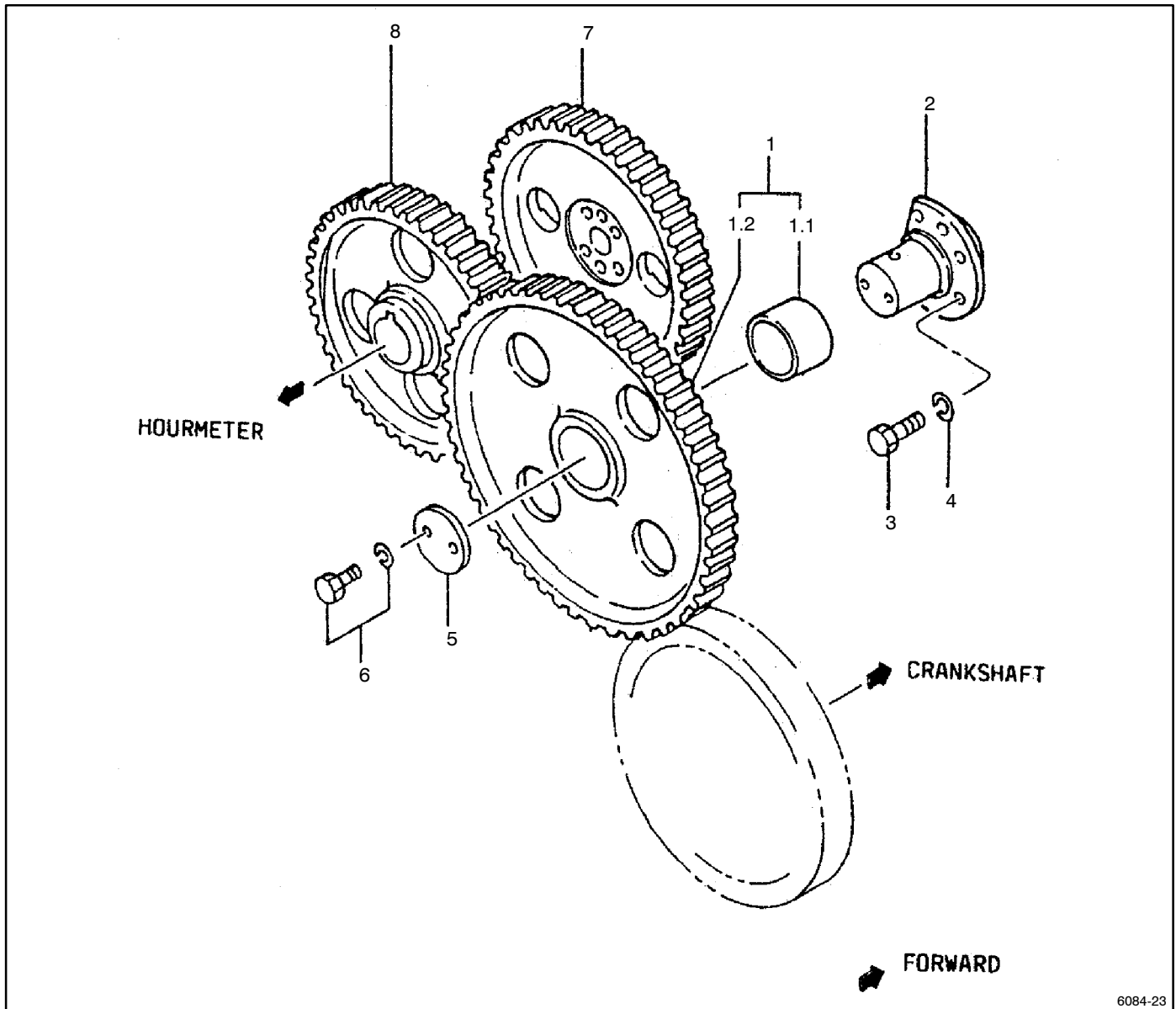


6084-20

Item	Part Number	Description	Quantity
			Variation Number
1	GM15678	Crankshaft	1
2	X	Crankshaft assembly	1
2.10	GM15185	Pin, dowel	1
2.20	X	Crankshaft	1
2.30	GM15681	Gear, crankshaft	1
3	GM15190	Pin, dowel	2
4	GM15677	Pin, dowel	2
5	GM15965	Bolt	8
6	GM14628	Washer	8
7	GM15679	Flywheel assembly	1
7.10	GM14583	Gear, ring	1
7.20	X	Flywheel	1
8	GM15680	Damper, viscous	1
9	GM15631	Pointer	1
10	GM15139	Bolt w/washer	1
11	GM14584	Label set, thermo 75-95 deg. C	1
12	GM14585	Label set, thermo 100-120 deg. C	1

X Item not sold separately

Group 23: Timing Gear

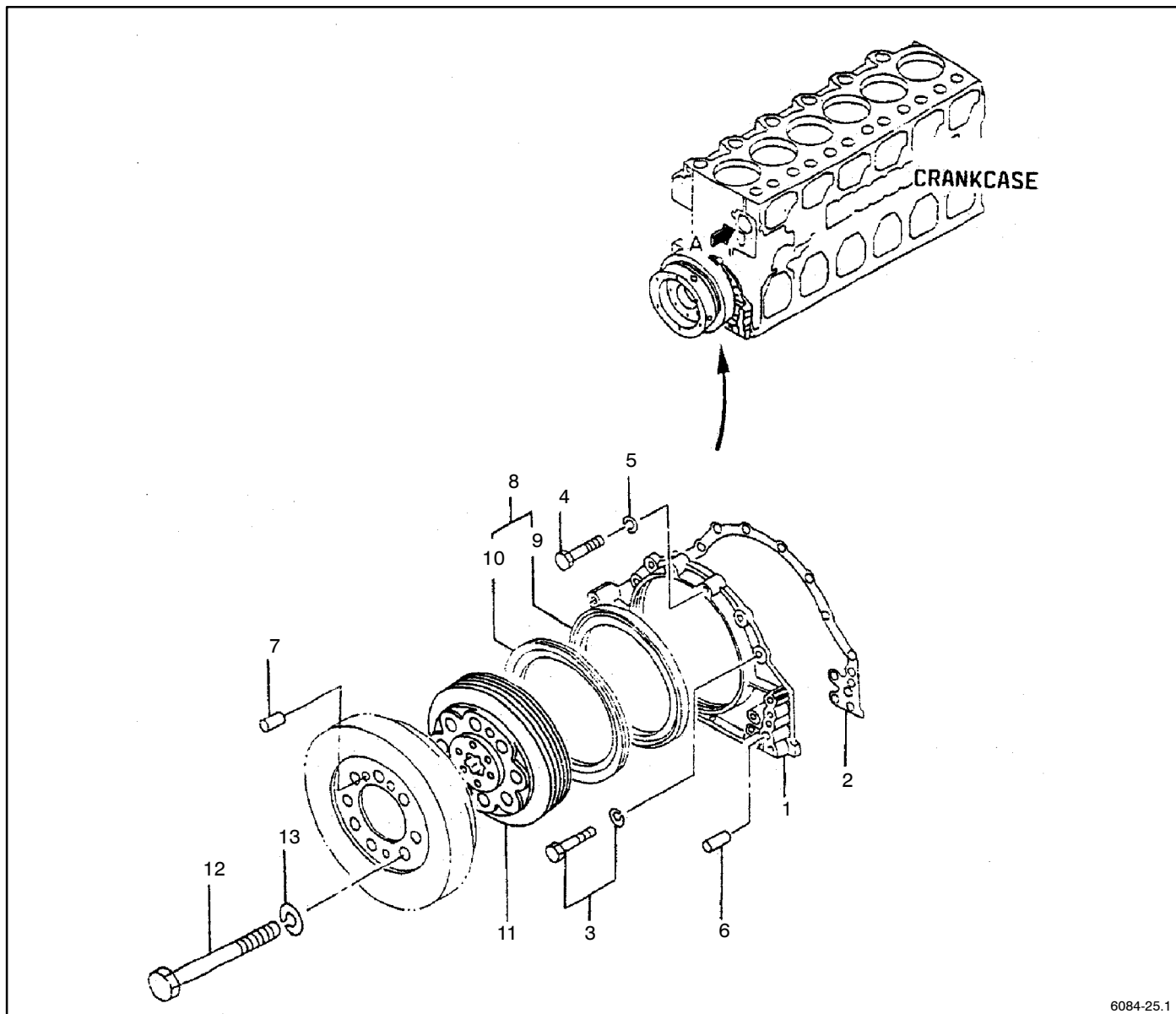


6084-23

Item	Part Number	Description	Quantity
			Variation Number
1	GM15684	Gear assembly, idler	1
1.1	GM14896	Bushing	1
1.2	X	Gear, idler	1
2	GM15685	Shaft, idler	1
3	GM15108	Bolt	4
4	GM15180	Washer, spring	4
5	GM14568	Plate, thrust	1
6	GM15140	Bolt w/washer	2
7	GM15682	Gear, crankshaft	1
8	GM15683	Gear, injection pump	1

X Item not sold separately

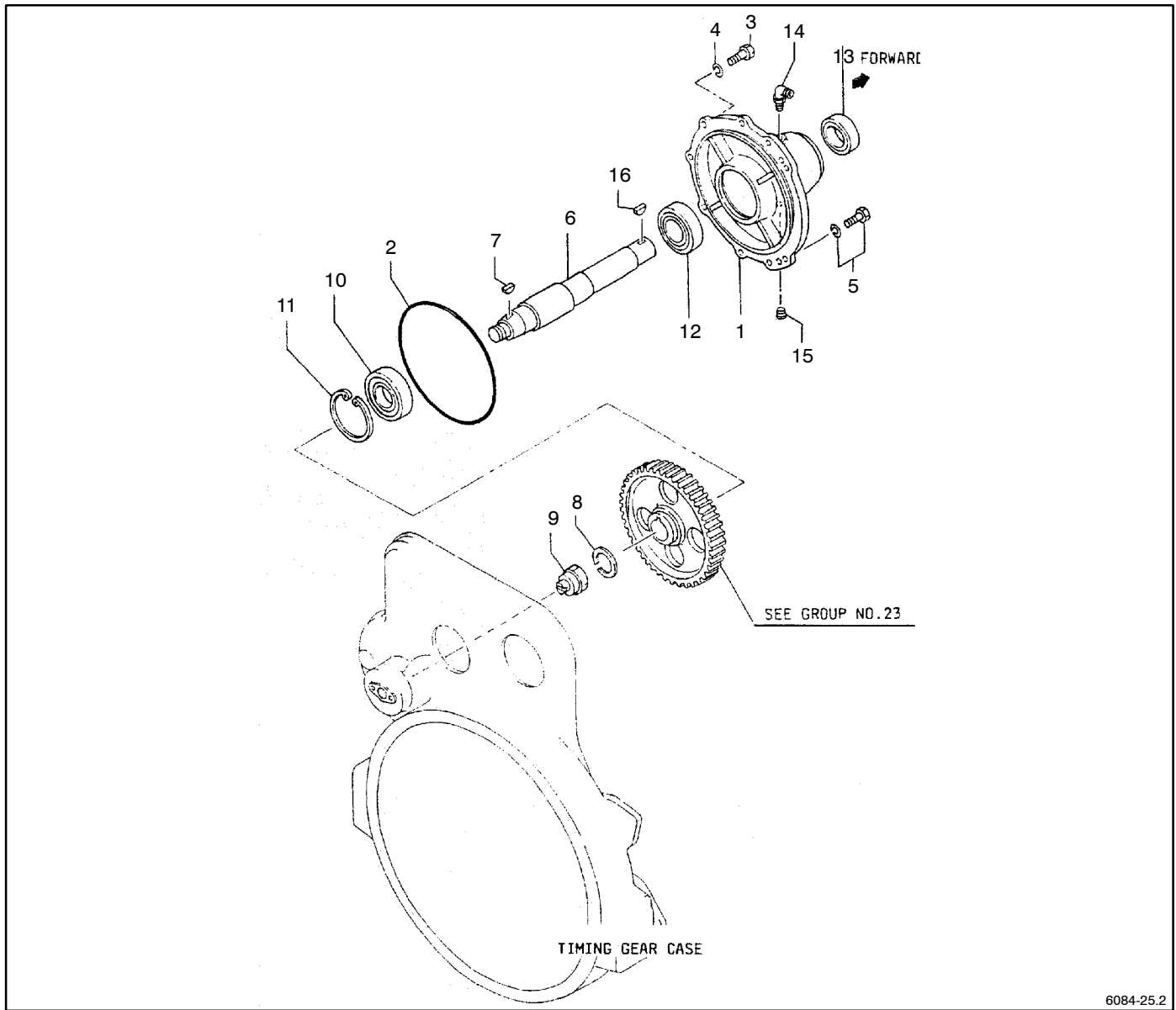
Group 25.1: Accessory Drive, Front



6084-25.1

Item	Part Number	Description	Quantity
			Variation Number 1
1	GM15690	Cover, front	1
2	GM15691	Packing	1
3	GM15152	Bolt	2
4	GM15111	Bolt	2
5	GM15180	Washer, spring	2
6	GM15188	Pin, dowel	2
7	GM15190	Pin, dowel	2
8	GM15687	Seal assembly, oil front	1
9	GM14902	Slinger	1
10	GM14920	Seal, oil	1
11	GM15689	Pulley, crankshaft	1
12	GM15966	Bolt	8
13	GM15993	Washer, spring	8

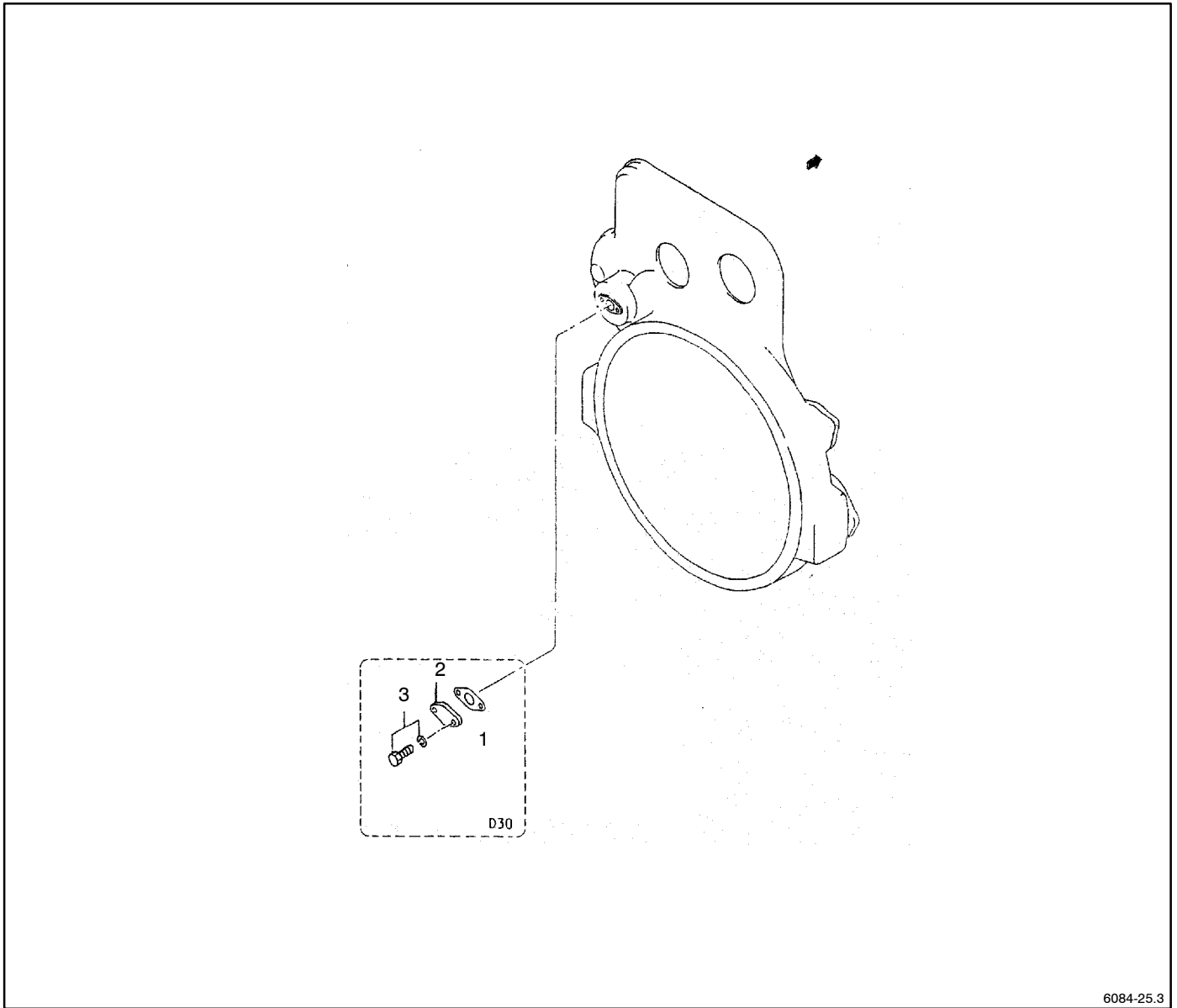
Group 25.2: Accessory Drive, Rear



6084-25.2

Item	Part Number	Description	Quantity
			Variation Number
1	GM15692	Case, drive	1
2	GM15686	O-ring	1
3	GM15111	Bolt	7
4	GM15180	Washer, spring	7
5	GM15152	Bolt	1
6	GM15688	Shaft	1
7	GM15998	Key, woodruff	1
8	GM15995	Washer, spring	1
9	GM15594	Coupling, damper	1
10	GM16039	Bearing, ball	1
11	GM16021	Ring, snap	1
12	GM16037	Bearing, ball	1
13	GM14921	Seal	1
14	GM16031	Elbow	1
15	GM14496	Plug, tapered	1
16	GM15192	Key, woodruff	1

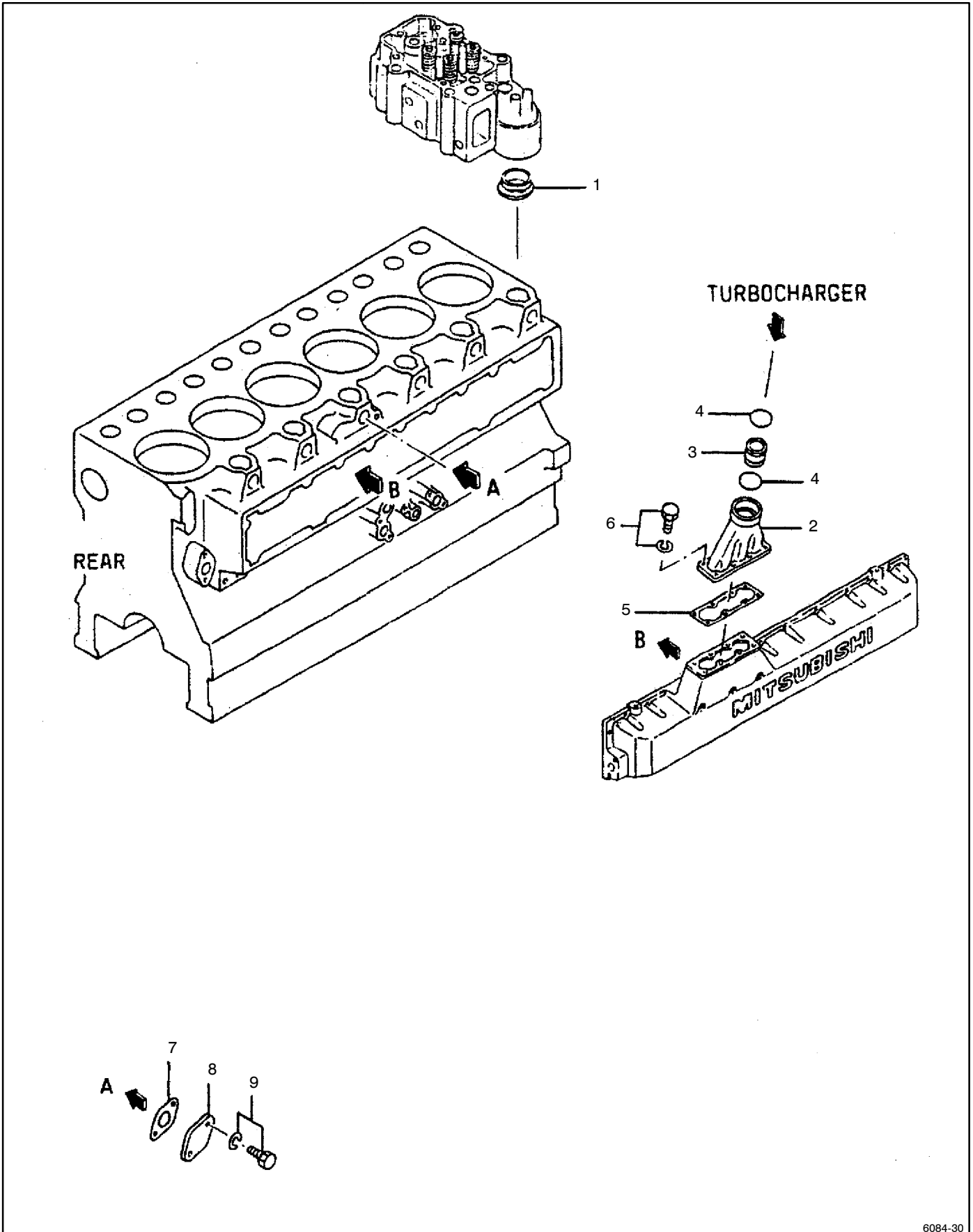
Group 25.3: Hourmeter Drive



6084-25.3

Item	Part Number	Description	Quantity
			Variation Number
1	GM15550	Gasket	1
2	GM15549	Cover	1
3	GM15975	Bolt w/washer	2

Group 30: Intake System and Air Heater

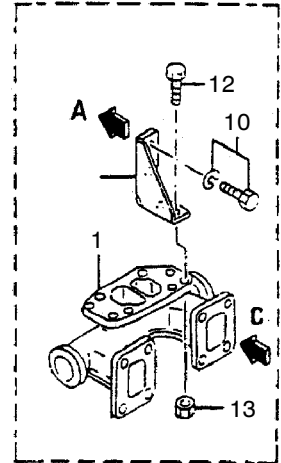


6084-30

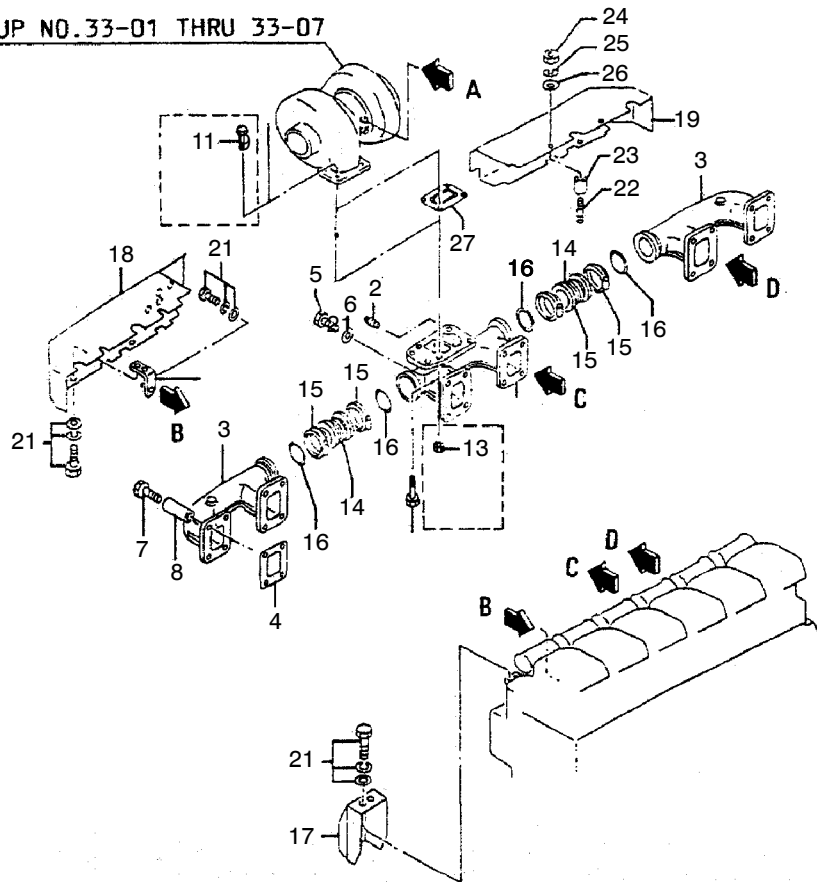
Group 30: Intake System and Air Heater

Item	Part Number	Description	Quantity
			Variation Number
			1
1	GM15693	Packing	6
2	GM15695	Duct, inlet	1
3	GM15696	Connector	1
4	GM14648	O-ring	2
5	GM15694	Gasket	1
6	GM15141	Bolt	8
7	GM14922	Packing	6
8	GM14627	Cover	6
9	GM15151	Bolt	12

Group 32.1: Exhaust System



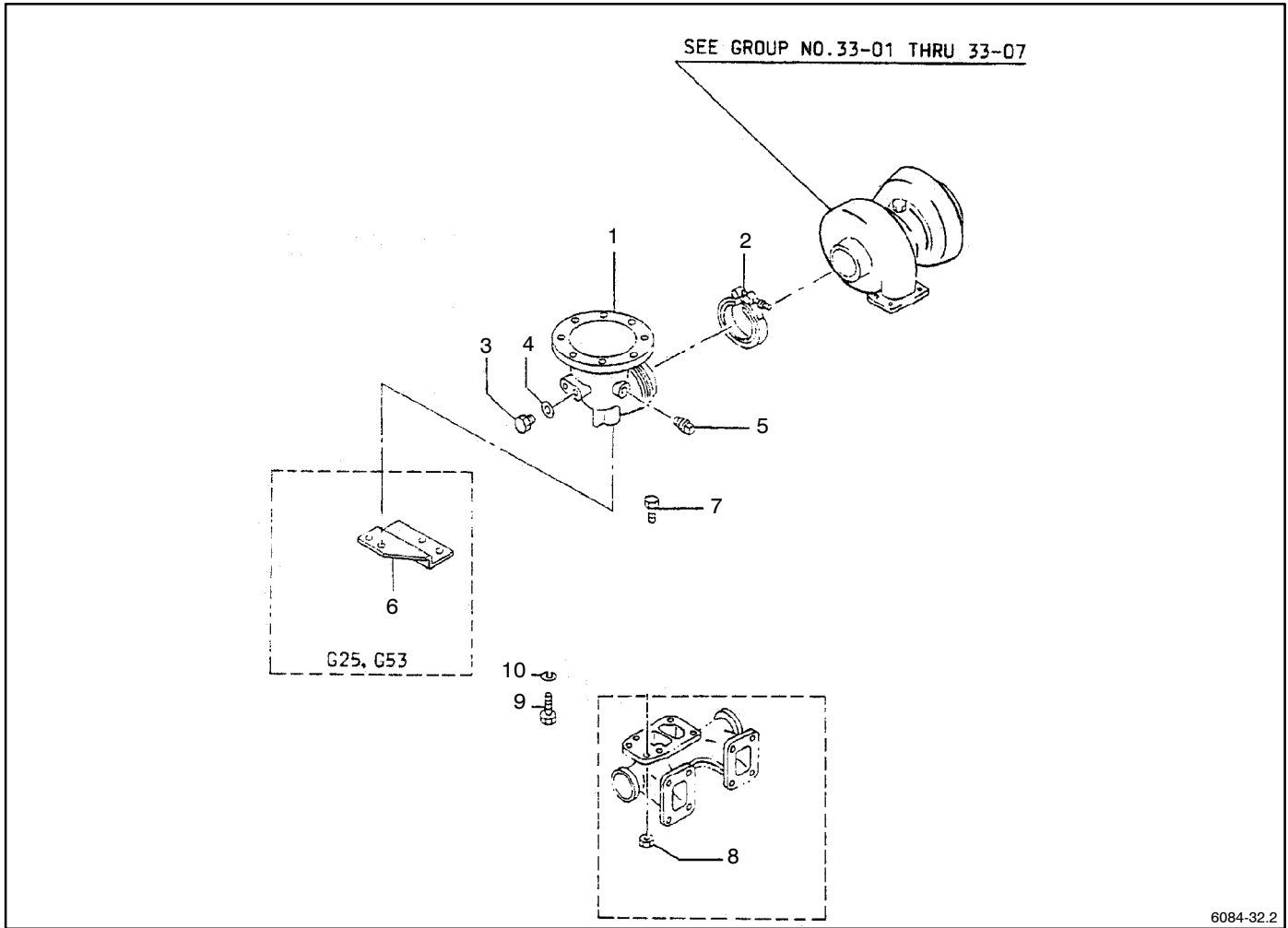
SEE GROUP NO. 33-01 THRU 33-07



Group 32.1: Exhaust System

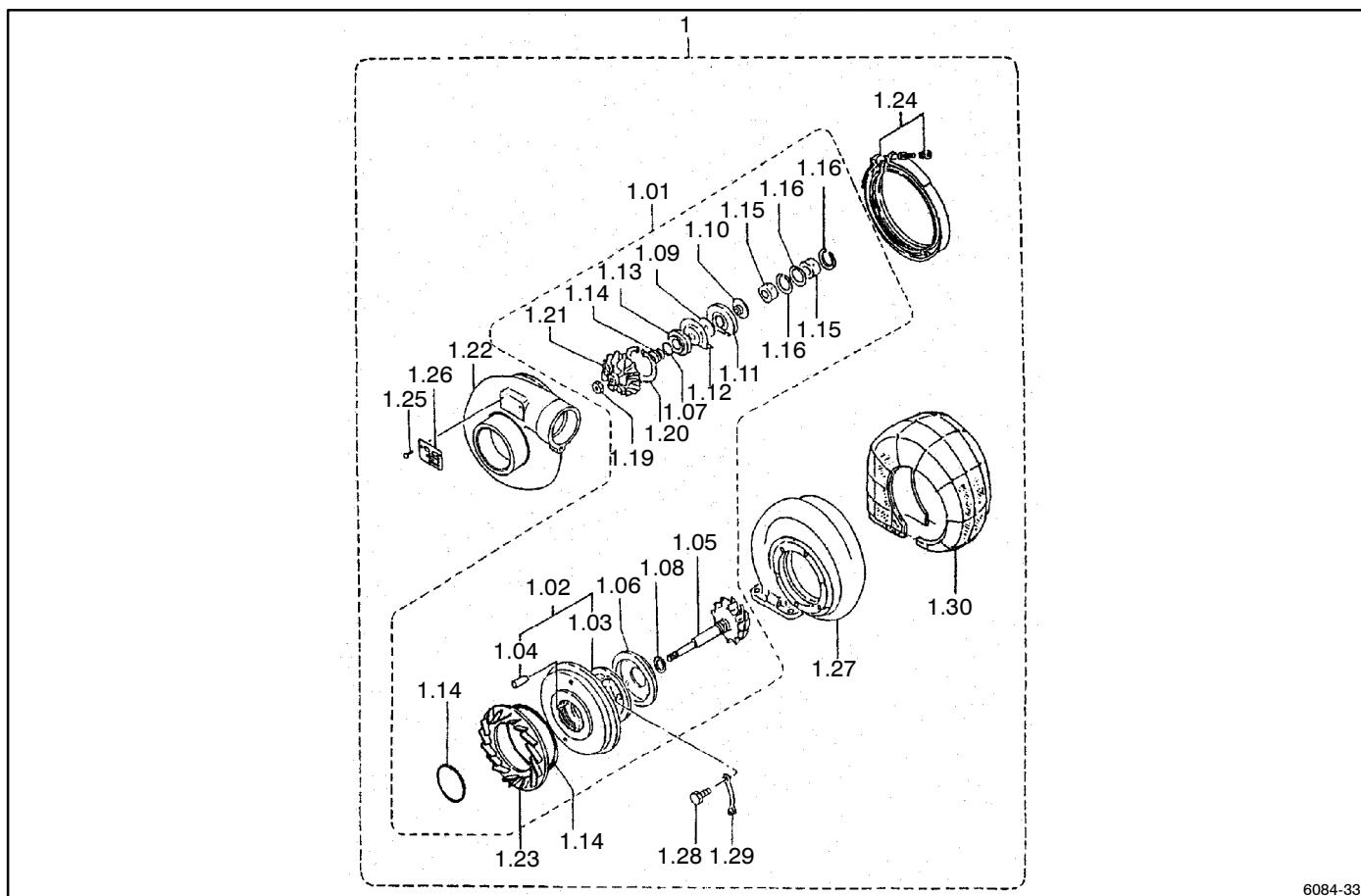
Item	Part Number	Description	Quantity
			Variation Number 1
1	GM15706	Manifold, exhaust	1
2	GM15246	Plug, tapered	2
3	GM15705	Manifold, exhaust	2
4	GM15700	Gasket, exhaust	6
5	GM15557	Bolt	2
6	GM15992	Washer	2
7	GM15697	Bolt	22
8	GM15601	Spacer	22
9	GM15596	Stay	1
10	GM15983	Bolt w/washer	2
11	GM15530	Bolt	4
12	GM14552	Bolt	4
13	GM15990	Nut, self-locking	8
14	GM15701	Joint, flexible	2
15	GM15081	Coupling assembly	4
16	GM14592	Gasket, joint	4
17	GM15702	Insulator	5
18	GM15510	Insulator	1
19	GM15703	Insulator	1
20	GM15704	Stay insulator	4
21	GM15980	Bolt	10
22	GM15971	Stud	4
23	GM15551	Spacer	4
24	GM15163	Nut	4
25	GM15178	Washer, spring	4
26	GM15173	Washer, plain	4
27	GM15598	Gasket	1

Group 32.2: Exhaust Elbow



Item	Part Number	Description	Quantity
			Variation Number
1	GM15597	Pipe, exhaust	1
2	GM15947	Clamp, turbo	1
3	GM14994	Plug	2
4	GM15229	Gasket	2
5	GM15246	Plug, tapered	1
6	GM15698	Bracket	1
7	GM14552	Bolt	2
8	GM15990	Nut, self-locking	2
9	GM15859	Bolt	2
10	GM15180	Washer, spring	2

Group 33: Turbocharger

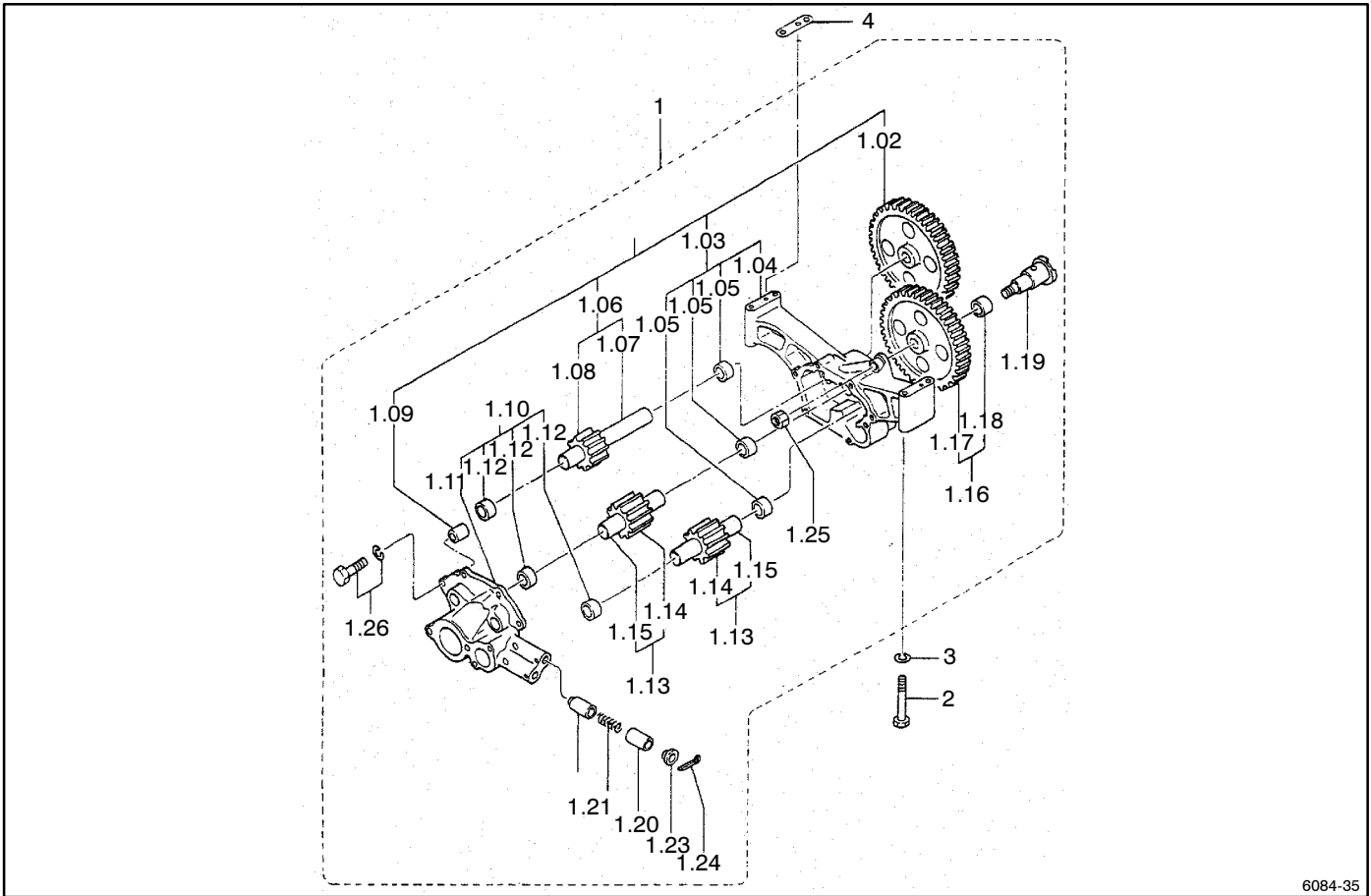


6084-33

Item	Part Number	Description	Quantity
			Variation Number
1	GM15925	Turbocharger assembly	1
1.01	GM15926	Cartridge assembly	1
1.02	GM15937	Housing	1
1.03	X	Housing, bearing	1
1.04	GM15949	Pin, spring	2
1.05	GM15938	Rotor assembly	1
1.06	GM15930	Plate	1
1.07	GM15936	Ring	1
1.08	GM15923	Seal, ring	1
1.09	GM15940	Ring	1
1.10	GM15941	Ring	1
1.11	GM15933	Bearing	1
1.12	GM15932	Deflector	1
1.13	GM15931	Insert	1
1.14	GM15943	Sleeve	1
1.15	GM15934	Bearing	2
1.16	GM15935	Ring, snap	3
1.17	GM15948	O-ring	1
1.18	GM15050	O-ring	1
1.19	GM15942	Nut	1
1.20	GM15043	Ring, snap	1
1.21	GM15939	Wheel, compressor	1
1.22	GM15944	Cover, compressor	1
1.23	GM15946	Diffuser	1
1.24	GM15945	Clamp assembly	1
1.25	GM14481	Rivet, screw	2
1.26	X	Nameplate	1
1.27	GM15927	Housing	1
1.28	GM15924	Bolt	6
1.29	GM15929	Lockplate	3
1.30	GM15928	Lagging	1

X Item not sold separately

Group 35: Oil Pump

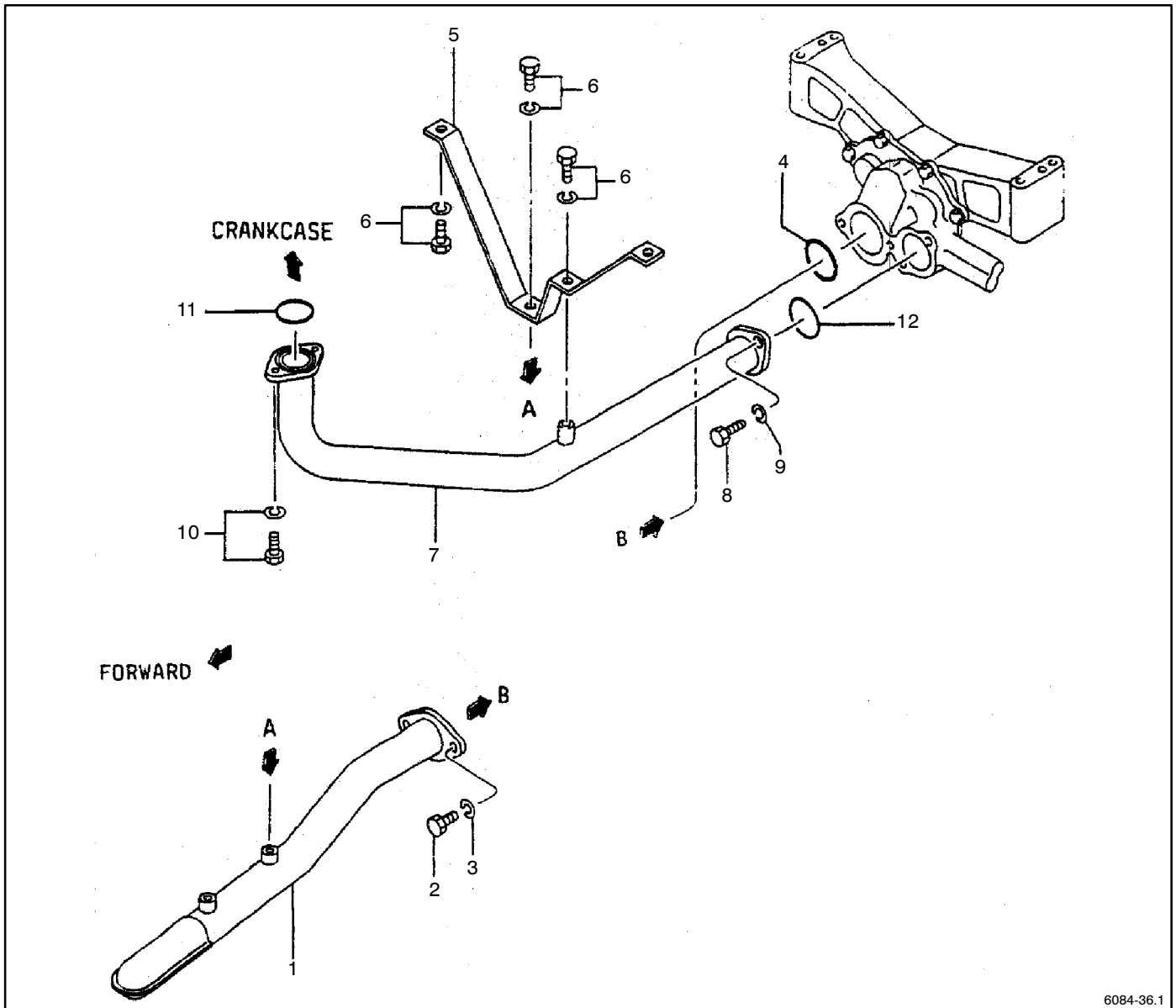


6084-35

Item	Part Number	Description	Quantity
			Variation Number
			1
1	GM15708	Pump assembly, oil	1
1.01	GM15718	Case and gear assembly	1
1.02	GM15709	Gear	1
1.03	GM15713	Case assembly	1
1.04	X	Case	1
1.05	GM15579	Bushing	3
1.06	GM15716	Gear assembly	1
1.07	X	Shaft	1
1.08	GM15710	Gear	1
1.09	GM15712	Pin	2
1.10	GM15714	Cover assembly, oil	1
1.11	X	Cover	1
1.12	GM15579	Bushing	3
1.13	GM15717	Gear assembly	2
1.14	GM15710	Gear	2
1.15	X	Shaft	2
1.16	GM15715	Gear assembly	1
1.17	X	Gear	1
1.18	GM15579	Bushing	1
1.19	GM15711	Spindle	1
1.20	GM15580	Spring	2
1.21	GM15577	Valve	2
1.22	GM15572	Stopper	2
1.23	GM15578	Seat, spring	2
1.24	GM15996	Pin	2
1.25	GM16046	Nut	1
1.26	GM15143	Bolt	4
2	GM15120	Bolt	4
3	GM15180	Washer, spring	4
4	GM15707	Shim	2

X Item not sold separately

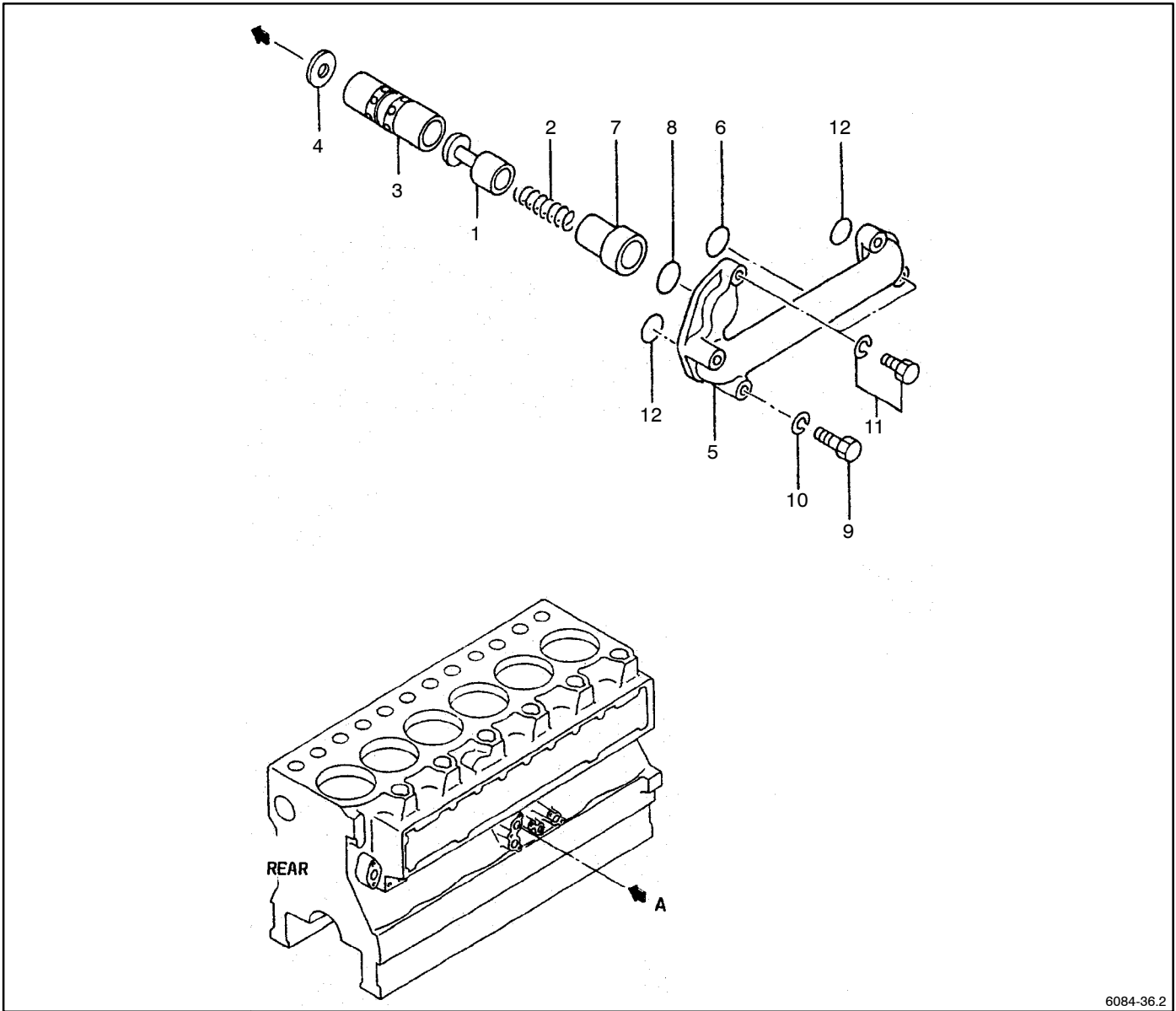
Group 36.1: Oil Strainer



6084-36.1

Item	Part Number	Description	Quantity
			Variation Number 1
1	GM15725	Strainer, oil	1
2	GM15958	Bolt	2
3	GM15179	Washer, spring	2
4	GM16013	O-ring	1
5	GM15720	Pipe, oil	1
6	GM15150	Bolt	4
7	GM15719	Pipe, oil	1
8	GM15958	Bolt	2
9	GM15179	Washer, spring	1
10	GM15151	Bolt	2
11	GM15212	O-ring	1
12	GM15213	O-ring	1

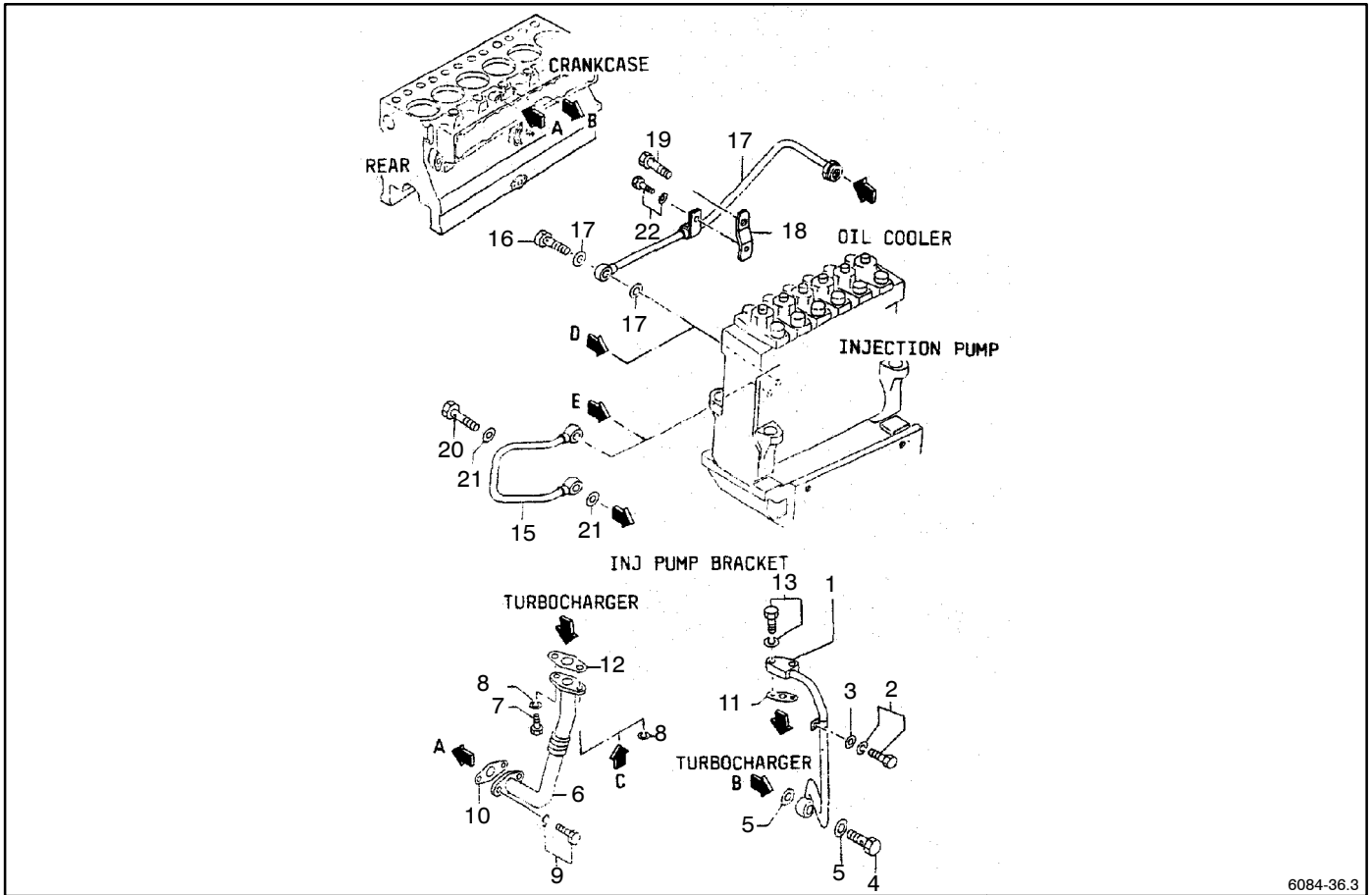
Group 36.2: Oil Pipe



6084-36.2

Item	Part Number	Description	Quantity
			Variation Number
1	GM14926	Valve, relief	1
2	GM14924	Spring	1
3	GM14925	Sleeve	1
4	GM15722	Plate, relief valve	1
5	GM15727	Pipe, relief valve	1
6	GM15525	O-ring	1
7	GM15724	Stopper	1
8	GM15212	O-ring	1
9	GM15116	Bolt	3
10	GM15180	Washer, spring	3
11	GM15151	Bolt	2
12	GM16011	O-ring	2

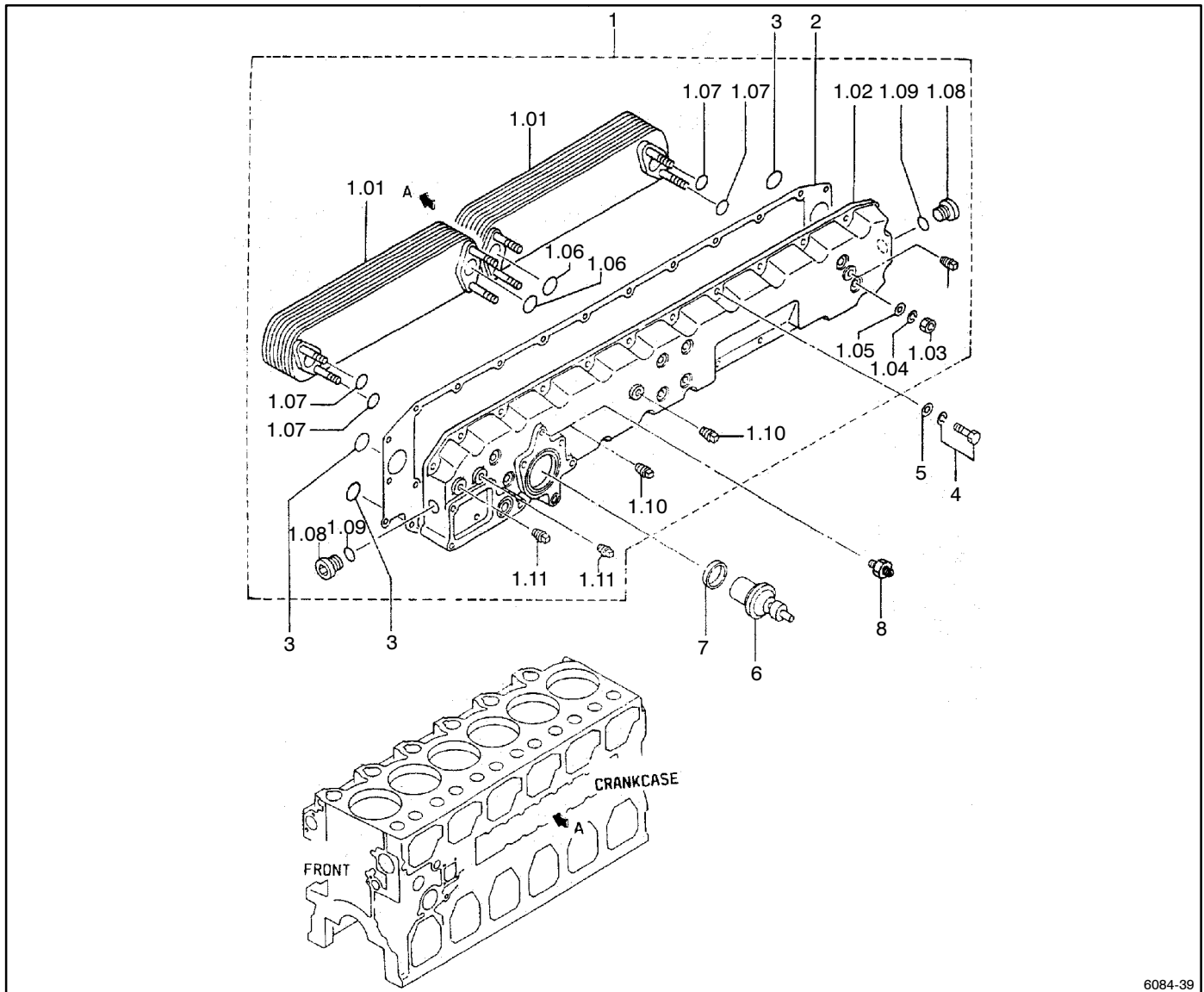
Group 36.3: Turbocharger Oil Lines



6084-36.3

Item	Part Number	Description	Quantity
			Variation Number
1	GM15723	Pipe, oil	1
2	GM15982	Bolt	1
3	GM15175	Washer	1
4	GM15235	Bolt, eye	1
5	GM14531	Washer, sealing	2
6	GM15729	Pipe, drain	1
7	GM15129	Bolt	2
8	GM15179	Washer, spring	2
9	GM15150	Bolt	2
10	GM15721	Packing	1
11	GM15586	Packing	1
12	GM15587	Packing	1
13	GM15981	Bolt w/washer	2
14	GM15726	Pipe, oil	1
15	GM15728	Pipe, drain	1
16	GM16032	Bolt, eye	1
17	GM14529	Washer, sealing	2
18	GM15810	Stay, oil pipe	1
19	GM15960	Bolt	1
20	GM15234	Bolt, eye	1
21	GM14530	Washer, sealing	2
22	GM15140	Bolt w/washer	1

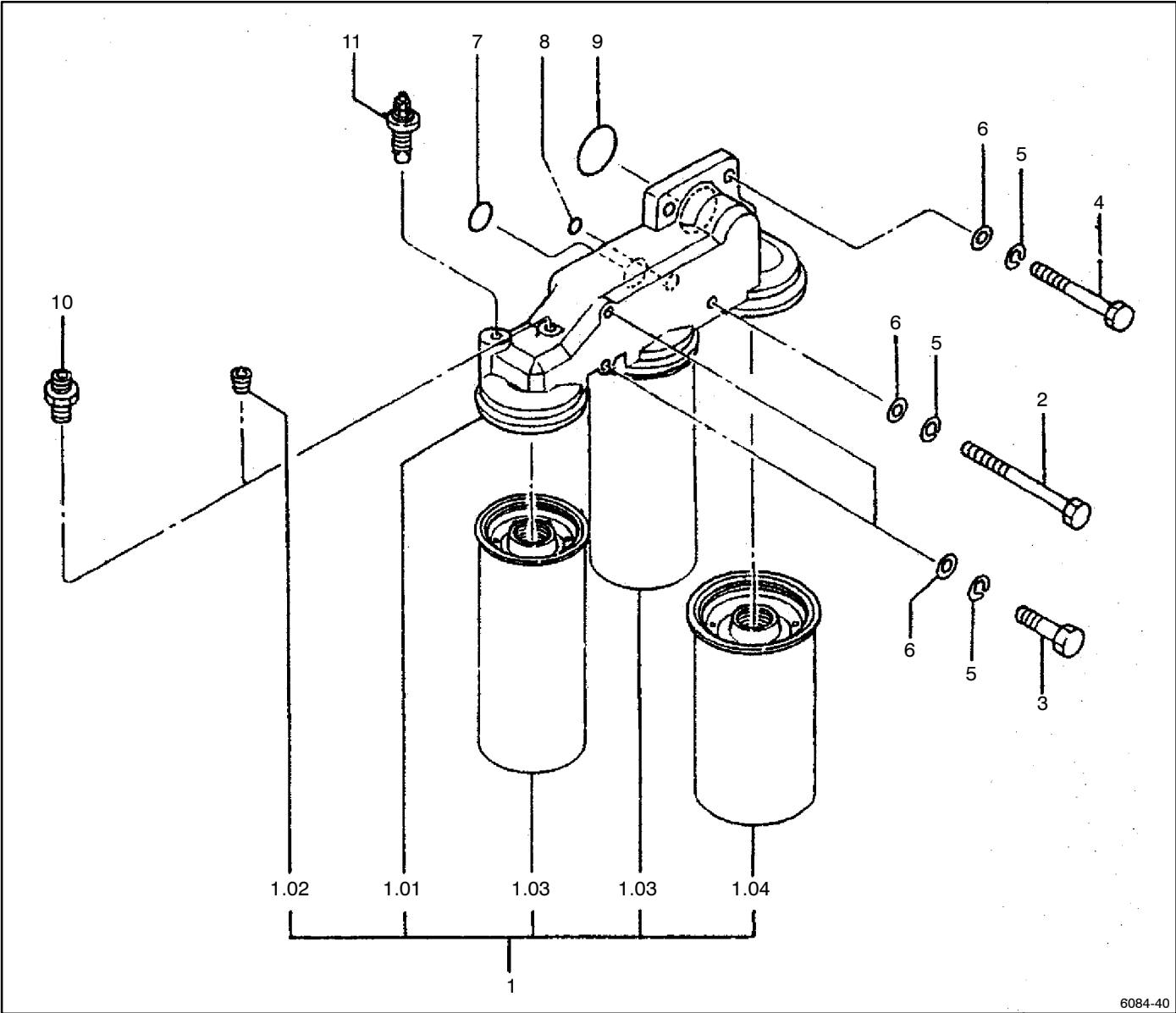
Group 39: Oil Cooler



6084-39

Item	Part Number	Description	Quantity
			Variation Number
			1
1	GM15736	Oil cooler assembly	1
1.01	GM15731	Element, oil cooler	2
1.02	GM15737	Cover	1
1.03	GM15164	Nut	8
1.04	GM15179	Washer, spring	8
1.05	GM15174	Washer, plain	8
1.06	GM16010	O-ring	4
1.07	GM15524	O-ring	8
1.08	GM16042	Plug	2
1.09	GM15527	O-ring	2
1.10	GM16034	Plug, tapered	3
1.11	GM15246	Plug, tapered	2
2	GM15732	Packing	1
3	GM15733	O-ring	3
4	GM15152	Bolt	21
5	GM15175	Washer	21
6	GM15735	Thermostat, oil	1
7	GM15734	Seal, thermostat	1
8	GM16027	Connector	2

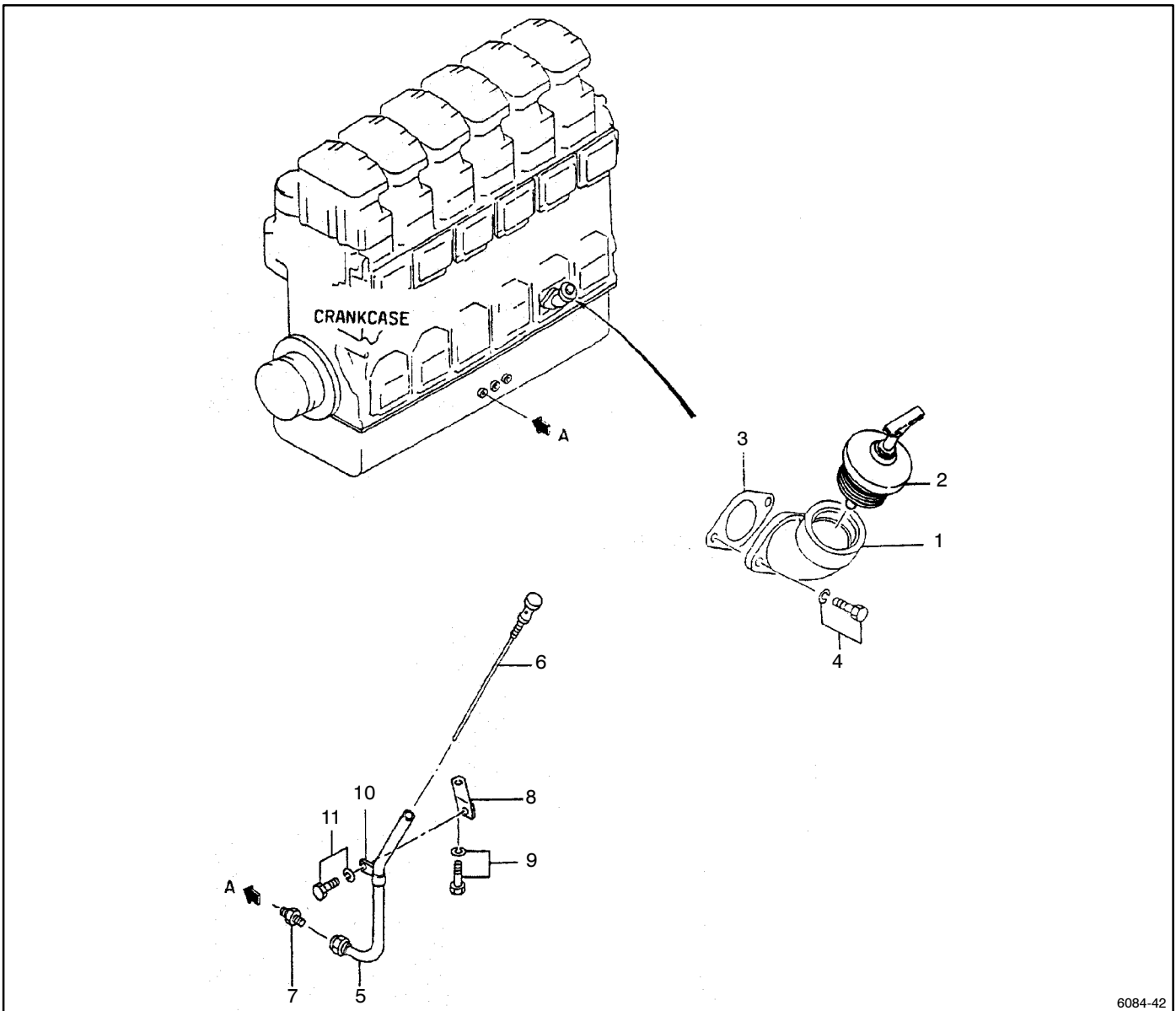
Group 40: Oil Filter



6084-40

Item	Part Number	Description	Quantity
			Variation Number 1
1	GM15740	Filter assembly, oil	1
1.01	GM15741	Bracket assembly	1
1.02	GM15242	Plug, tapered	1
1.03	GM13949	Filter	2
1.04	GM13950	Filter	1
	GM15121	Bolt	1
3	GM15111	Bolt	2
4	GM15548	Bolt	3
5	GM15180	Washer, spring	6
6	GM15175	Washer	6
7	GM16011	O-ring	1
8	GM15525	O-ring	1
9	GM16014	O-ring	1
10	GM15230	Connector	1
11	GM14488	Alarm, oil filter	1

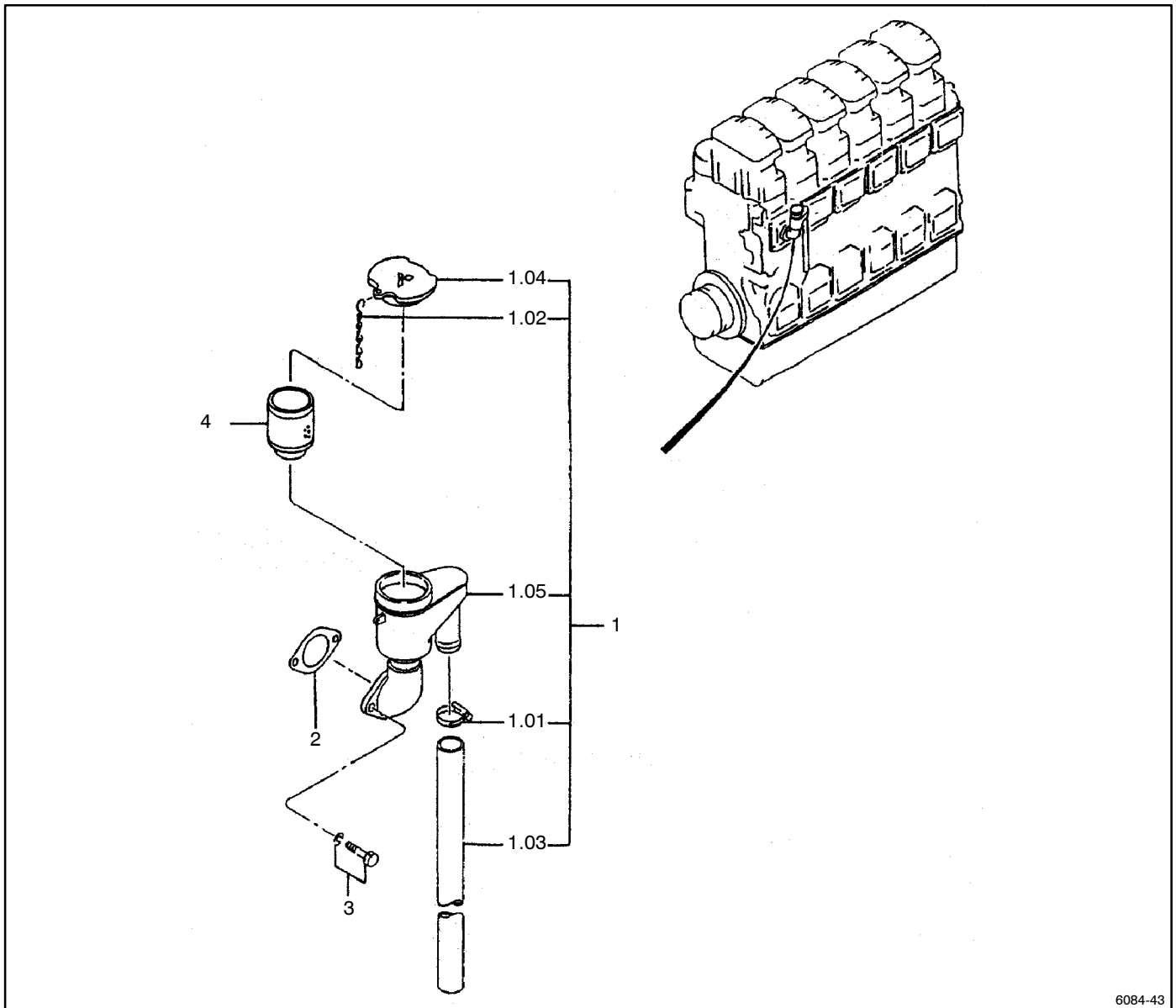
Group 42: Oil Filler and Breather



6084-42

Item	Part Number	Description	Quantity
			Variation Number
1	GM14602	Elbow	1
2	GM14633	Cap, oil	1
3	GM14623	Packing	2
4	GM15141	Bolt	2
5	GM15743	Guide, oil level	1
6	GM15742	Gauge	1
7	GM16030	Connector	1
8	GM15744	Stay	1
9	GM15979	Bolt	1
10	GM15555	Clamp	1
11	GM15149	Bolt w/washer	1

Group 43: Breather

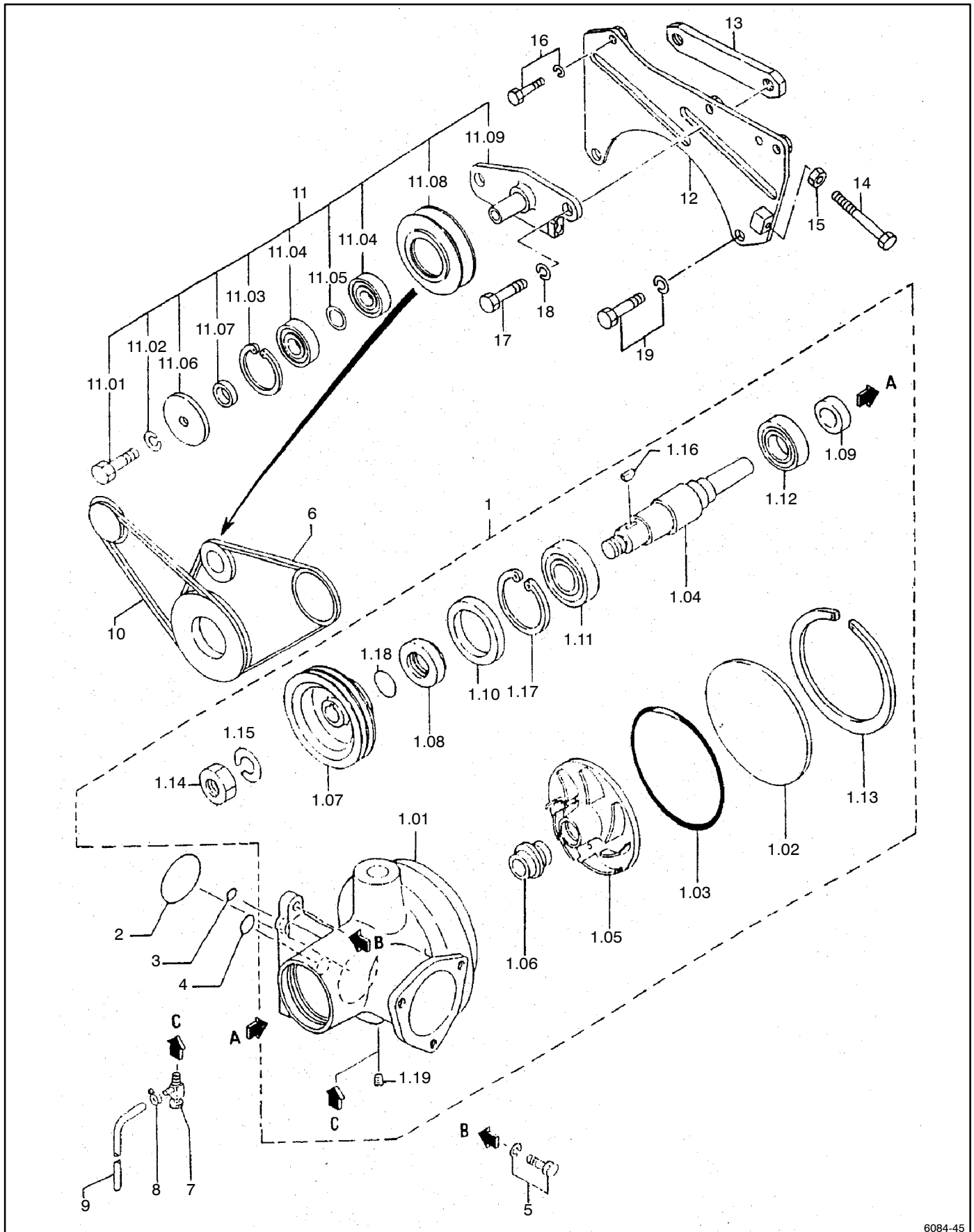


6084-43

Item	Part Number	Description	Quantity
			Variation Number 1
1	GM15745	Breather assembly	1
1.01	GM15521	Clamp	1
1.02	GM15547	Chain	1
1.03	GM15861	Hose, vinyl	1
1.04	GM15560	Cap	1
1.05	X	Breather	1
2	GM14605	Gasket	1
3	GM15150	Bolt	2
4	GM15563	Element, breather	1

X Item not sold separately

Group 45: Water Pump



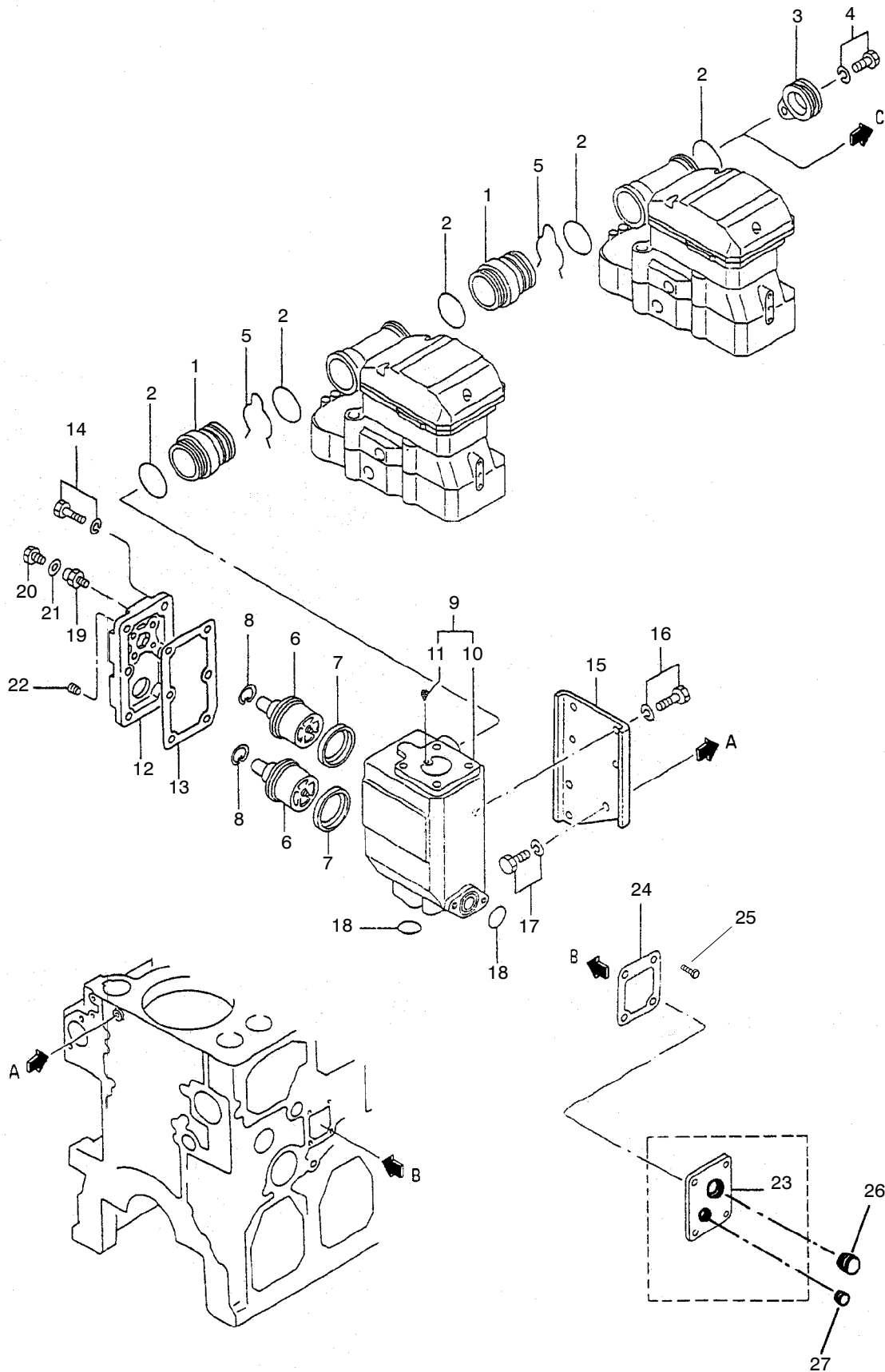
6084-45

Group 45: Water Pump

Item	Part Number	Description	Quantity
			Variation Number 1
1	GM15761	Pump assembly, water	1
1.01	X	Case, water pump	1
1.02	GM14927	Cover	1
1.03	GM15210	O-ring	1
1.04	GM15760	Shaft, water pump	1
1.05	GM15746	Impeller	1
1.06	GM15747	Seal unit	1
1.07	GM15748	Pulley	1
1.08	GM15759	Spacer	1
1.09	GM15750	Seal	1
1.10	GM15751	Seal	1
1.11	GM16040	Bearing, ball	1
1.12	GM16038	Bearing, ball	1
1.13	GM14928	Ring, snap	1
1.14	GM15986	Nut	1
1.15	GM15994	Washer, spring	1
1.16	GM15998	Key, woodruff	1
1.17	GM16020	Ring, snap	1
1.18	GM16011	O-ring	1
1.19	GM15749	Plug	1
2	GM16007	O-ring	1
3	GM14502	O-ring	1
4	GM16004	O-ring	1
5	GM15151	Bolt	5
6	GM15752	V-belt, water pump	1
7	GM14603	Valve	1
8	GM16026	Clamp, hose	1
9	GM16022	Tube, vinyl	1
10	GM15753	V-belt, alternator	1
11	GM15754	Pulley, tension	1
11.01	GM15107	Bolt	1
11.02	GM15180	Washer, spring	1
11.03	GM16018	Ring, snap	1
11.04	GM15581	Bearing	2
11.05	GM15582	Spacer	1
11.06	GM15583	Plate, thrust	1
11.07	GM15584	Spacer	1
11.08	GM15585	Pulley, tension	1
11.09	GM15756	Bracket, tension	1
12	GM15755	Plate	1
13	GM15757	Plate, slide	1
14	GM15758	Bolt, tension	1
15	GM15167	Nut	1
16	GM15142	Bolt w/washer	3
17	GM15961	Bolt	2
18	GM15181	Washer, spring	2
19	GM15979	Bolt	2

X Item not sold separately

Group 46.1: Thermostat and Covers



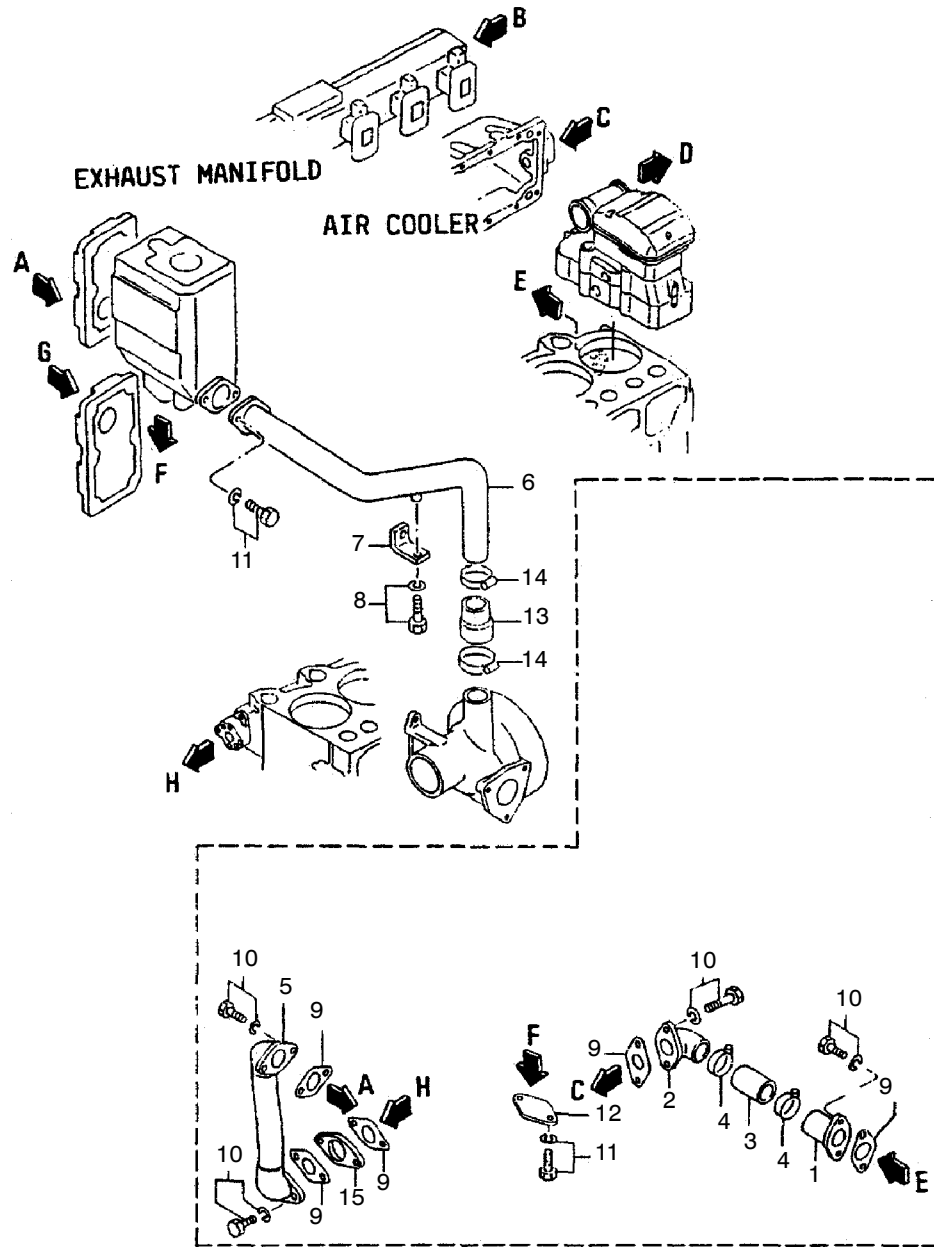
6084-46.1

Group 46.1: Thermostat and Covers

Item	Part Number	Description	Quantity
			Variation Number 1
1	GM15776	Connector	6
2	GM16006	O-ring	13
3	GM15771	Plug	1
4	GM15141	Bolt	1
5	GM15772	Ring, snap	6
6	GM13953	Thermostat	2
7	GM15764	Seal	2
8	GM15763	Ring, snap	2
9	GM15762	Case assembly	1
10	X	Case, thermostat	1
11	GM15588	Valve	1
12	GM15778	Cover, thermostat	1
13	GM15765	Packing, cover	1
14	GM15142	Bolt w/washer	6
15	GM15779	Bracket	1
16	GM15967	Bolt w/washer	4
17	GM15151	Bolt	3
18	GM16005	O-ring	2
19	GM15857	Connector	1
20	GM15238	Plug, screw	1
21	GM14531	Washer, sealing	1
22	GM16033	Plug	3
23	GM15770	Cover	1
24	GM14929	Packing	1
25	GM15151	Bolt	4
26	GM15246	Plug, tapered	1
27	GM15247	Plug, tapered	1

X Item not sold separately

Group 46.2: Water Pump Pipes

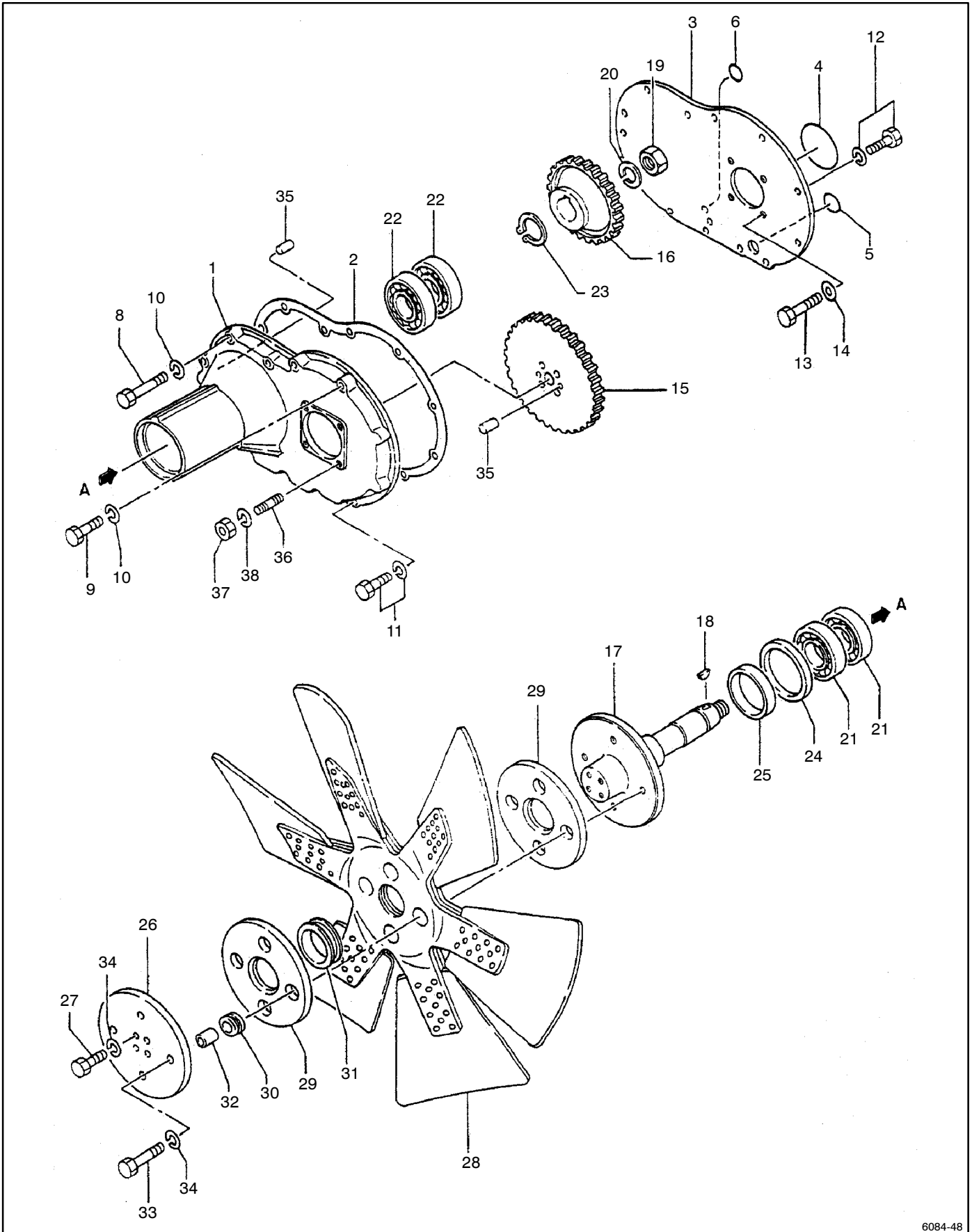


6084-46.2

Group 46.2: Water Pump Pipes

Item	Part Number	Description	Quantity
			Variation Number
			1
1	GM15768	Pipe, water	1
2	GM15769	Pipe, water	1
3	GM16024	Hose, rubber	1
4	GM15522	Clamp	2
5	GM15773	Pipe, water	1
6	GM15774	Pipe, bypass	1
7	GM15767	Stay assembly	1
8	GM15150	Bolt	1
9	GM14605	Gasket	5
10	GM15151	Bolt	8
11	GM15142	Bolt w/washer	4
12	GM15780	Cover	1
13	GM15775	Hose	1
14	GM15522	Clamp	2
15	GM15766	Spacer	1

Group 48: Fan Drive

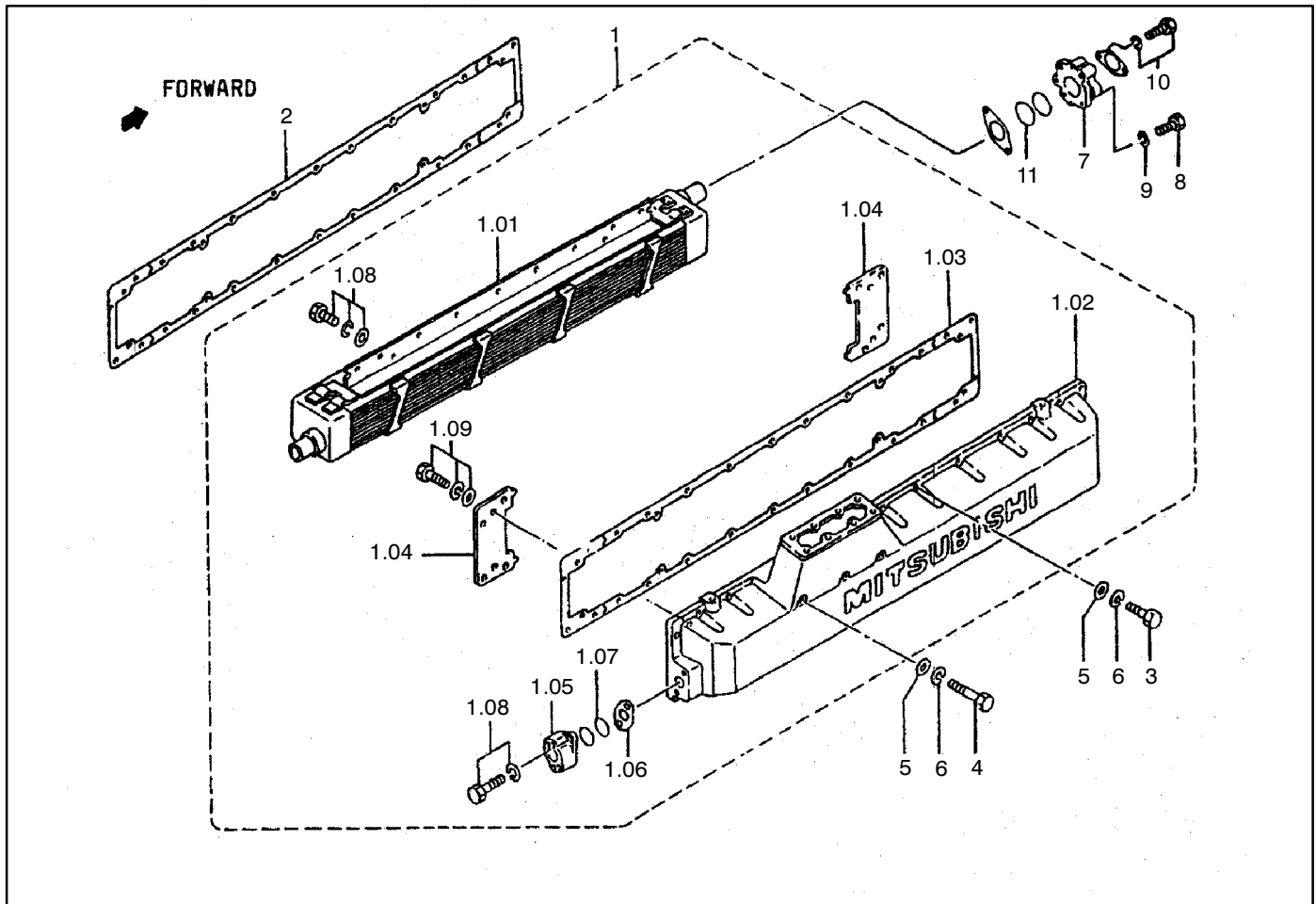


6084-48

Group 48: Fan Drive

Item	Part Number	Description	Quantity
			Variation Number
			1
1	GM15791	Case, fan drive	1
2	GM15787	Packing	1
3	GM15790	Plate, fan	1
4	GM15206	O-ring	2
5	GM16004	O-ring	1
6	GM16000	O-ring	1
7	GM15187	Pin	2
8	GM15114	Bolt	4
9	GM15111	Bolt	1
10	GM15180	Washer, spring	5
11	GM15979	Bolt	4
12	GM15150	Bolt	2
13	GM15107	Bolt	4
14	GM14529	Washer, sealing	4
15	GM15788	Gear, fan drive	1
16	GM15789	Gear, fan drive	1
17	GM15784	Shaft	1
18	GM15997	Key, woodruff	1
19	GM15988	Nut, jam	1
20	GM15995	Washer, spring	1
21	GM15259	Bearing, ball	2
22	GM16039	Bearing, ball	2
23	GM16016	Ring, snap	1
24	GM15781	Seal, oil	1
25	GM15568	Sleeve	1
26	GM15785	Plate, fan	1
27	GM15109	Bolt	4
28	—	Fan (See generator set parts catalog for part number)	1
29	GM15786	Rubber, friction	2
30	GM16049	Grommet	4
31	GM15782	Bushing	1
32	GM15783	Spacer	4
33	GM15119	Bolt	4
34	GM15180	Washer, spring	8
35	GM15571	Pin, dowel	4
36	GM15970	Stud	4
37	GM15163	Nut	4
38	GM15178	Washer, spring	4

Group 55: Air Cooler

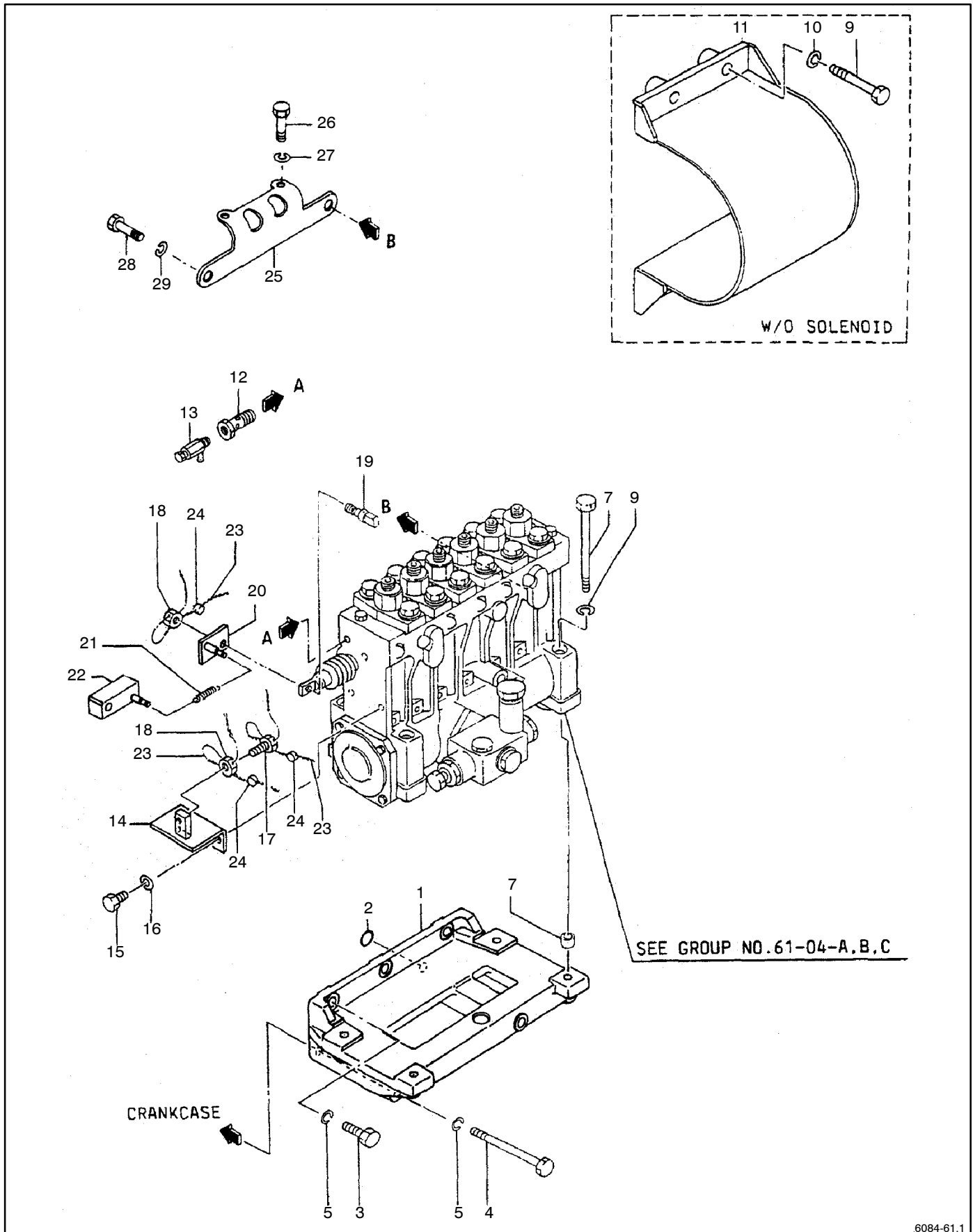


Item	Part Number	Description	Quantity
			Variation Number
1	GM15796	Cooler assembly, air	1
1.01	GM15798	Element, air cooler	1
1.02	GM15799	Case, air cooler	1
1.03	GM15792	Gasket	1
1.04	GM15793	Plate	2
1.05	GM15797	Connector	1
1.06	GM15795	Gasket	1
1.07	GM14513	O-ring	2
1.08	GM15142	Bolt w/washer	2
1.09	GM15153	Bolt	8
2	GM15792	Gasket	1
3	GM15111	Bolt	23
4	GM16043	Bolt	3
5	GM15175	Washer	26
6	GM15180	Washer, spring	26
7	GM15800	Connector	1
8	GM15111	Bolt	2
9	GM15180	Washer, spring	2
10	GM15142	Bolt w/washer	2
11	GM14513	O-ring	2

6084-55

Notes

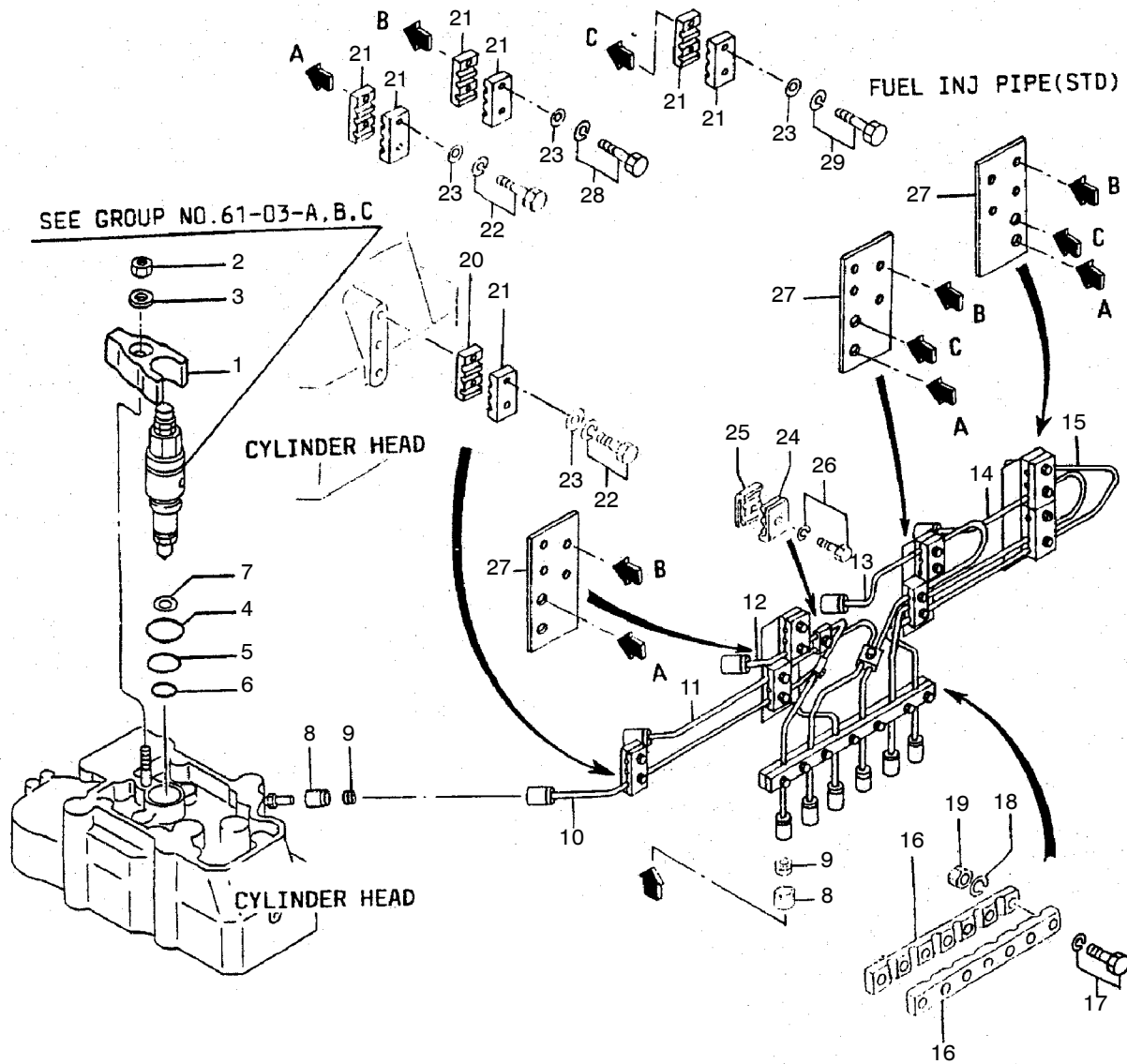
Group 61.1: Fuel Injection Pump Bracket



Group 61.1: Fuel Injection Pump Bracket

Item	Part Number	Description	Quantity
			Variation Number 1
1	GM15822	Bracket, injection pump	1
2	GM15999	O-ring	1
3	GM15109	Bolt	3
4	GM16044	Bolt	2
5	GM15180	Washer, spring	5
6	GM15121	Bolt	4
7	GM15802	Pin, dowel	2
8	GM15180	Washer, spring	4
9	GM15116	Bolt	4
10	GM15180	Washer, spring	4
11	GM15812	Cover, coupling	1
12	GM15917	Bolt, eye	1
13	GM15552	Air vent	1
14	GM15806	Bracket	1
15	GM15968	Bolt	2
16	GM15178	Washer, spring	3
17	GM15808	Bolt	1
18	GM14621	Nut	2
19	GM15807	Stopper	1
20	GM15821	Bracket, return	1
21	GM15951	Spring	1
22	GM15820	Bracket, return	1
23	GM14463	Wire, seal	3
24	GM15001	Seal	3
25	GM15811	Stay	1
26	GM15107	Bolt	2
27	GM15180	Washer, spring	2
28	GM15961	Bolt	2
29	GM15181	Washer, spring	2

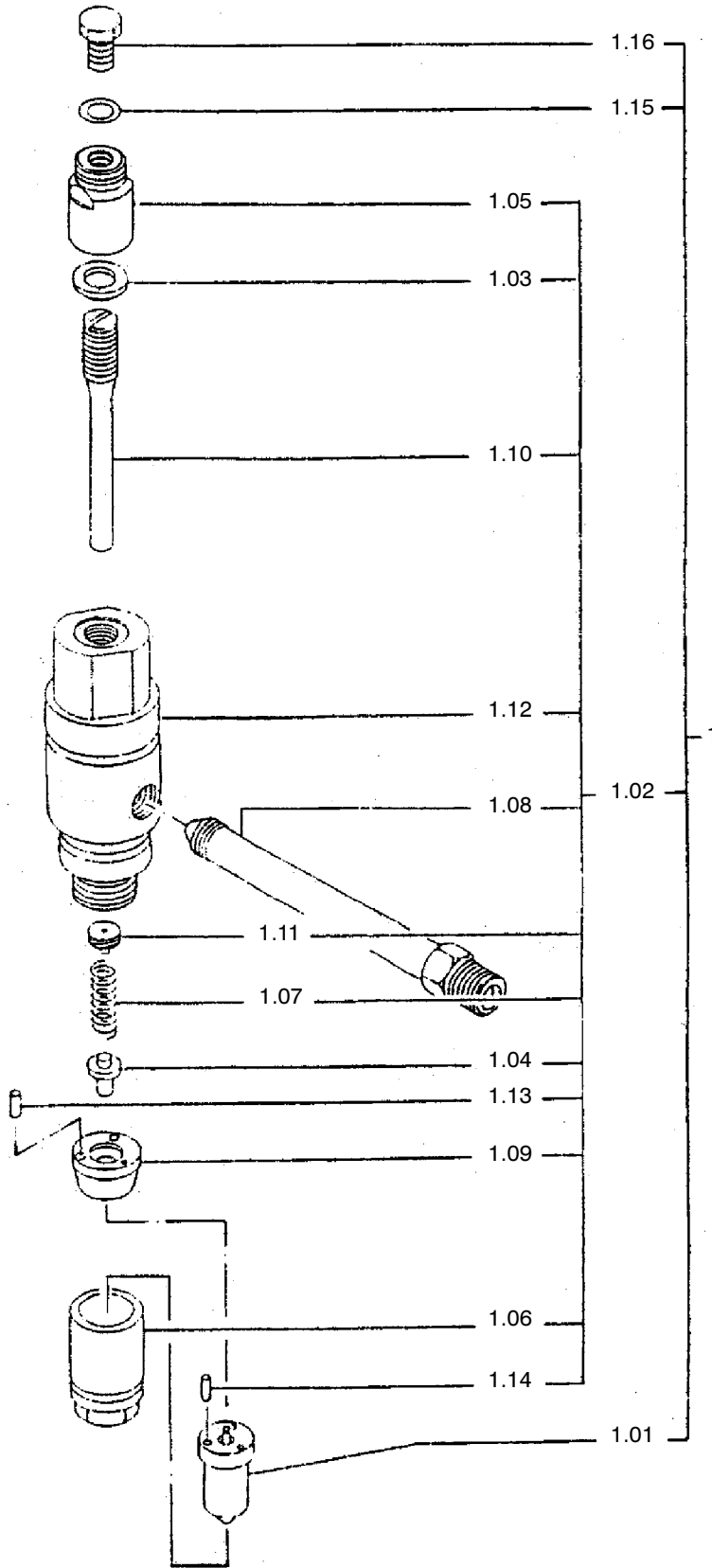
Group 61.2: Fuel System



Group 61.2: Fuel System

Item	Part Number	Description	Quantity
			Variation Number 1
1	GM15801	Gland, nozzle	6
2	GM15168	Nut	6
3	GM15570	Washer	6
4	GM16003	O-ring	6
5	GM16002	O-ring	6
6	GM16001	O-ring	6
7	GM15818	Gasket, nozzle	6
8	GM15813	Cover	12
9	GM15814	Holder	12
10	GM15839	Pipe, injection (no.1)	1
11	GM15840	Pipe, injection (no.2)	1
12	GM15841	Pipe, injection (no.3)	1
13	GM15842	Pipe, injection (no.4)	1
14	GM15843	Pipe, injection (no.5)	1
15	GM15844	Pipe, injection (no.6)	1
16	GM15832	Clamp	2
17	GM15977	Bolt w/washer	7
18	GM15178	Washer, spring	7
19	GM15163	Nut	7
20	GM15833	Clamp, pipe	2
21	GM15834	Clamp, pipe	14
22	GM15146	Bolt	8
23	GM15174	Washer, plain	14
24	GM16047	Clamp	3
25	GM16048	Clamp	3
26	GM15974	Bolt	3
27	GM15835	Stay, injection pipe	3
28	GM15144	Bolt	6
29	GM15147	Bolt	2

Group 61.3: Nozzle Assembly

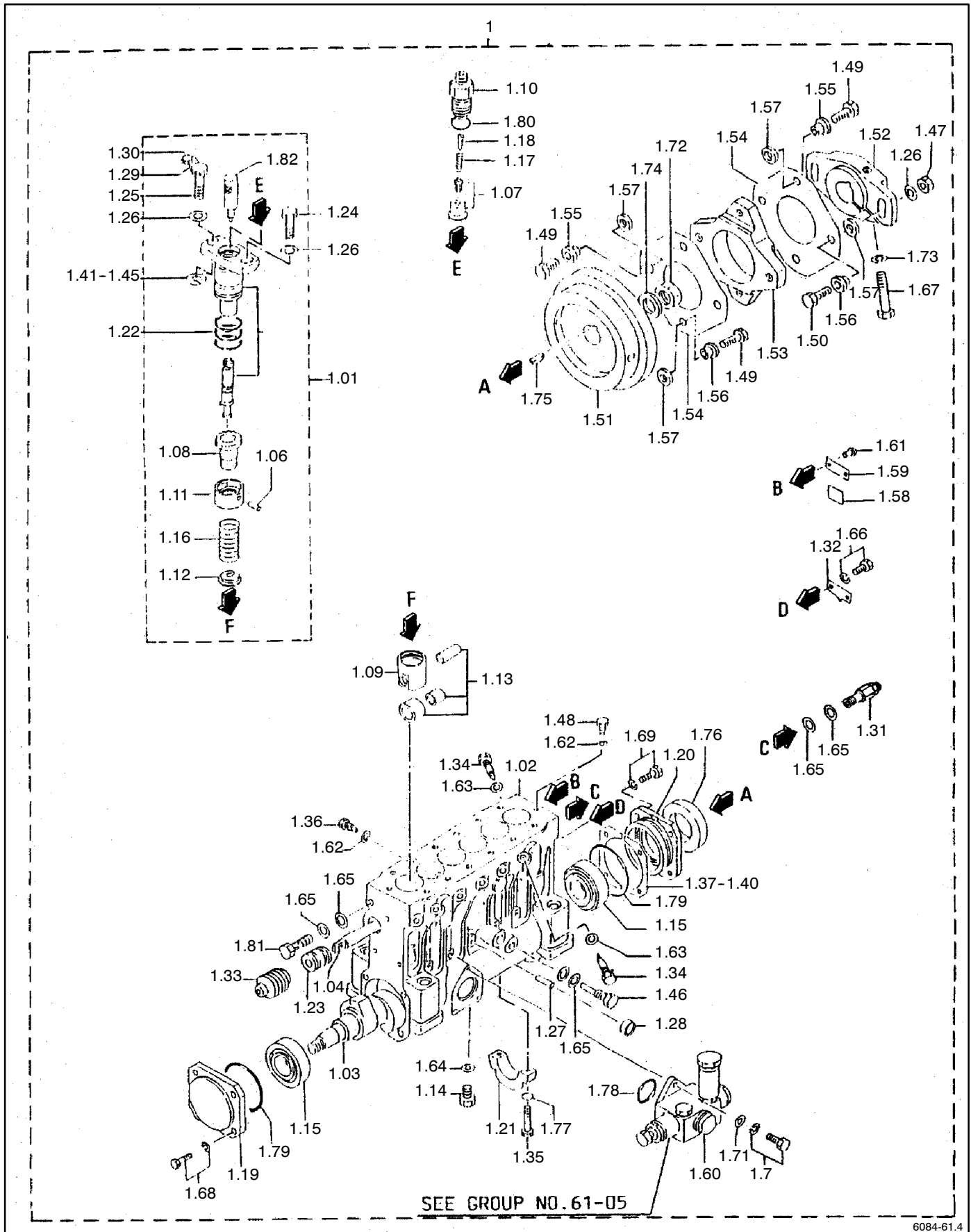


6084-61.3

Group 61.3: Nozzle Assembly

Item	Part Number	Description	Quantity
			Variation Number 1
1	GM15830	Nozzle assembly	6
1.02	GM15831	Holder assembly, nozzle	6
1.01	GM13952	Tip assembly, nozzle	6
1.03	GM14530	Washer, sealing	6
1.04	GM15595	Rod	6
1.05	GM15817	Nut, cap	6
1.06	GM15816	Nut, retaining	6
1.07	GM15825	Spring	6
1.08	GM15827	Connector, inlet	6
1.09	GM15828	Spacer	6
1.10	GM15826	Screw	6
1.11	GM15809	Spring, seat	6
1.12	GM15829	Body, nozzle holder	6
1.13	GM16036	Bearing, roller	12
1.14	GM15254	Bearing, roller	12
1.15	GM14528	Washer, sealing	6
1.16	GM15569	Screw, set	6

Group 61.4: Injection Pump

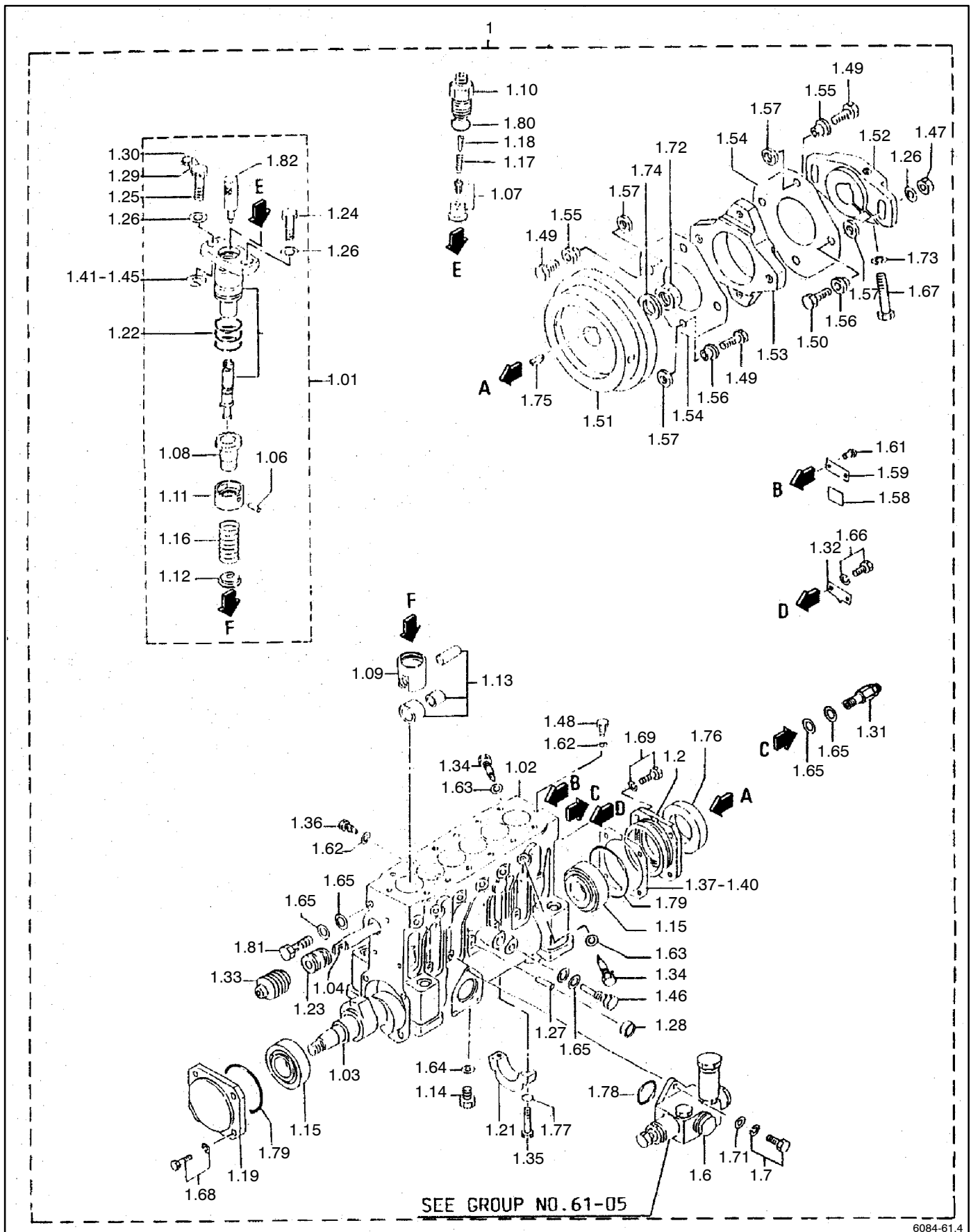


Group 61.4: Injection Pump

Item	Part Number	Description	Quantity
			Variation Number 1
1	GM15920	Pump assembly, injection	1
1.01	GM15922	Block, plunger	6
1.02	GM15918	Case, pump	1
1.03	GM15914	Camshaft	1
1.04	GM15887	Rack	1
1.05	X		
1.06	X		
1.07	GM15919	Valve assembly	6
1.08	GM15886	Pinion	6
1.09	GM15904	Tappet	6
1.10	GM15915	Holder, valve	6
1.11	GM15896	Seat	6
1.12	GM15897	Seat	6
1.13	GM15913	Tappet assembly, roller	6
1.14	GM15237	Plug, screw	1
1.15	GM16041	Bearing, roller	2
1.16	GM15888	Spring	6
1.17	GM15870	Spring, valve	6
1.18	GM15871	Stopper	6
1.19	GM15916	Cover, front	1
1.20	GM15511	Cover, rear	1
1.21	GM15872	Center bearing	1
1.22	GM15889	O-ring	18
1.23	GM15898	Bushing, rack	2
1.24	GM15873	Bolt, barrel	6
1.25	GM15885	Bolt, barrel	6
1.26	GM15004	Washer, barrel	14
1.27	GM15874	Pin	7
1.28	GM14489	Cap, sealing	7
1.29	GM15883	Wire	1
1.30	GM15001	Seal	1
1.31	GM15902	Valve, check	1
1.32	GM15899	Pointer	1
1.33	GM15890	Bellows	2
1.34	GM15903	Bolt, deflector	12
1.35	GM15900	Bolt	2
1.36	GM15901	Screw, set	1
1.37	GM15891	Shim t=0.5 mm	AR
1.38	GM15892	Shim t=0.1 mm	AR
1.39	GM15893	Shim t=0.15 mm	AR
1.40	GM15894	Shim t=0.5 mm	AR
1.41	GM15875	Shim, barrel t=0.8 mm	AR
1.42	GM15876	Shim, barrel t=0.9 mm	AR
1.43	GM15877	Shim, barrel t=1 mm	AR
1.44	GM15878	Shim, barrel t=1.1 mm	AR
1.45	GM15879	Shim, barrel t=1.3 mm	AR
1.46	GM15880	Bolt, eye	1
1.47	GM15881	Nut	2
1.48	GM15882	Bolt, eye	2
1.49	GM15905	Bolt, short	6
1.50	GM15906	Bolt, long	2
1.51	GM15909	Flywheel	1
1.52	GM15512	Coupling	1
1.53	GM15907	Coupling, cross	1
1.54	GM15908	Plate, laminate	20
1.55	GM15911	Bushing	4
1.56	GM15912	Bushing	4
1.57	GM15910	Washer, coupling	8
1.58	GM15566	Plate	1
1.59	X	Nameplate	1
1.60	GM15514	Pump fuel	1
1.61	GM14481	Rivet, screw	2
1.62	GM14527	Washer	3
1.63	GM14528	Washer, sealing	12
1.64	GM14529	Washer, sealing	1
1.65	GM14530	Washer, sealing	6
1.66	GM15972	Bolt w/washer	2
1.67	GM15962	Bolt	1
1.68	GM15976	Bolt w/washer	4
1.69	GM15138	Bolt washer assembly	4

X Item not sold separately

Group 61.4: Injection Pump, continued



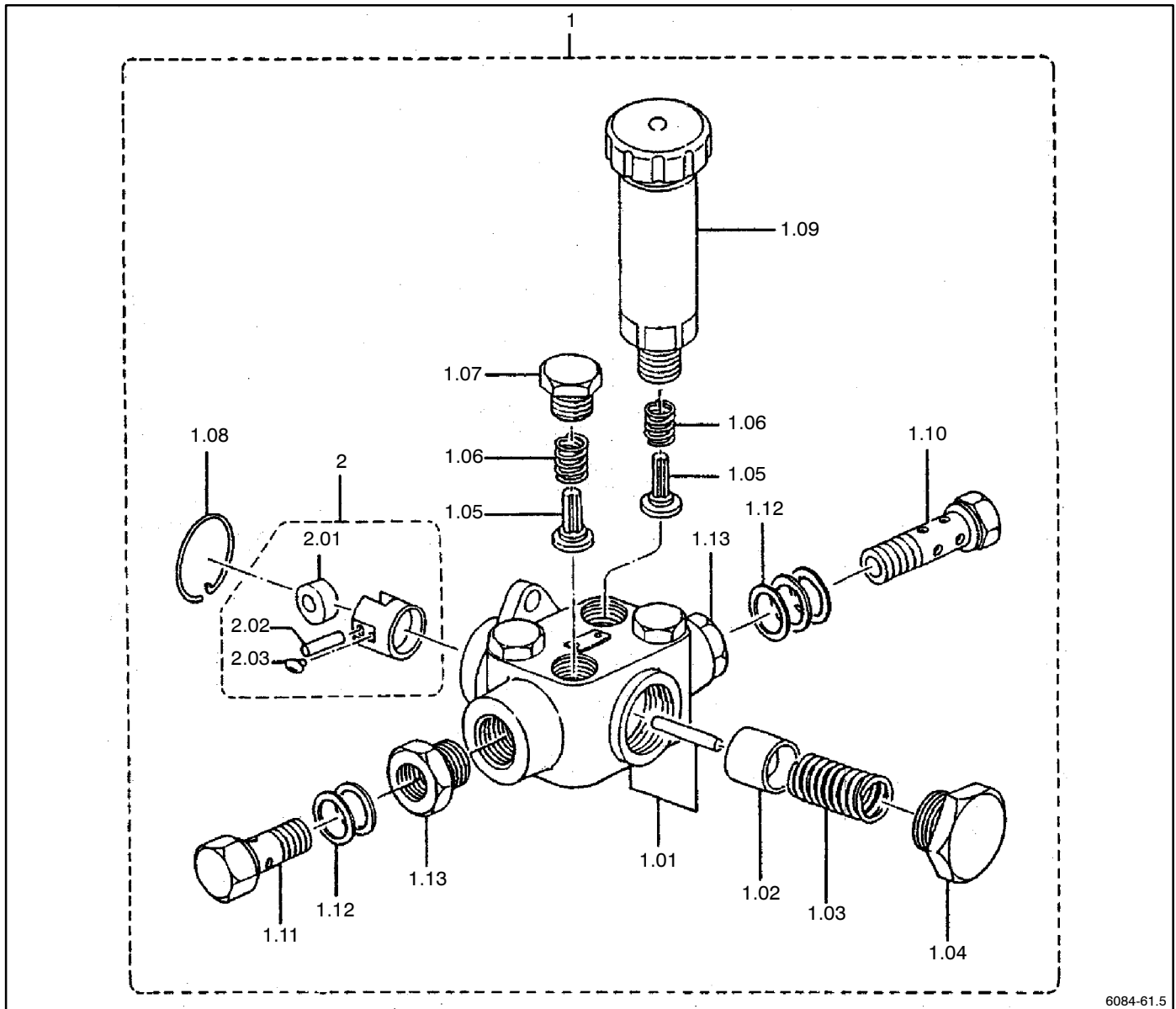
6084-61.4

Group 61.4: Injection Pump, continued

Item	Part Number	Description	Quantity
			Variation Number 1
1.70	GM15973	Bolt	3
1.71	GM15991	Washer	3
1.72	GM15987	Nut, jam	1
1.73	GM15181	Washer, spring	1
1.74	GM14571	Washer	1
1.75	GM15998	Key, woodruff	1
1.76	GM15884	Seal	1
1.77	GM15523	O-ring	2
1.78	GM15211	O-ring	1
1.79	GM16015	O-ring	2
1.80	GM15528	O-ring	6
1.81	GM15917	Bolt, eye	1
1.82	GM15921	Holder, plunger (service only)	6
1.83	GM15895	Repair kit*	1

* Includes items 1.22, 1.33, 1.62-1.66, 1.76-1.80

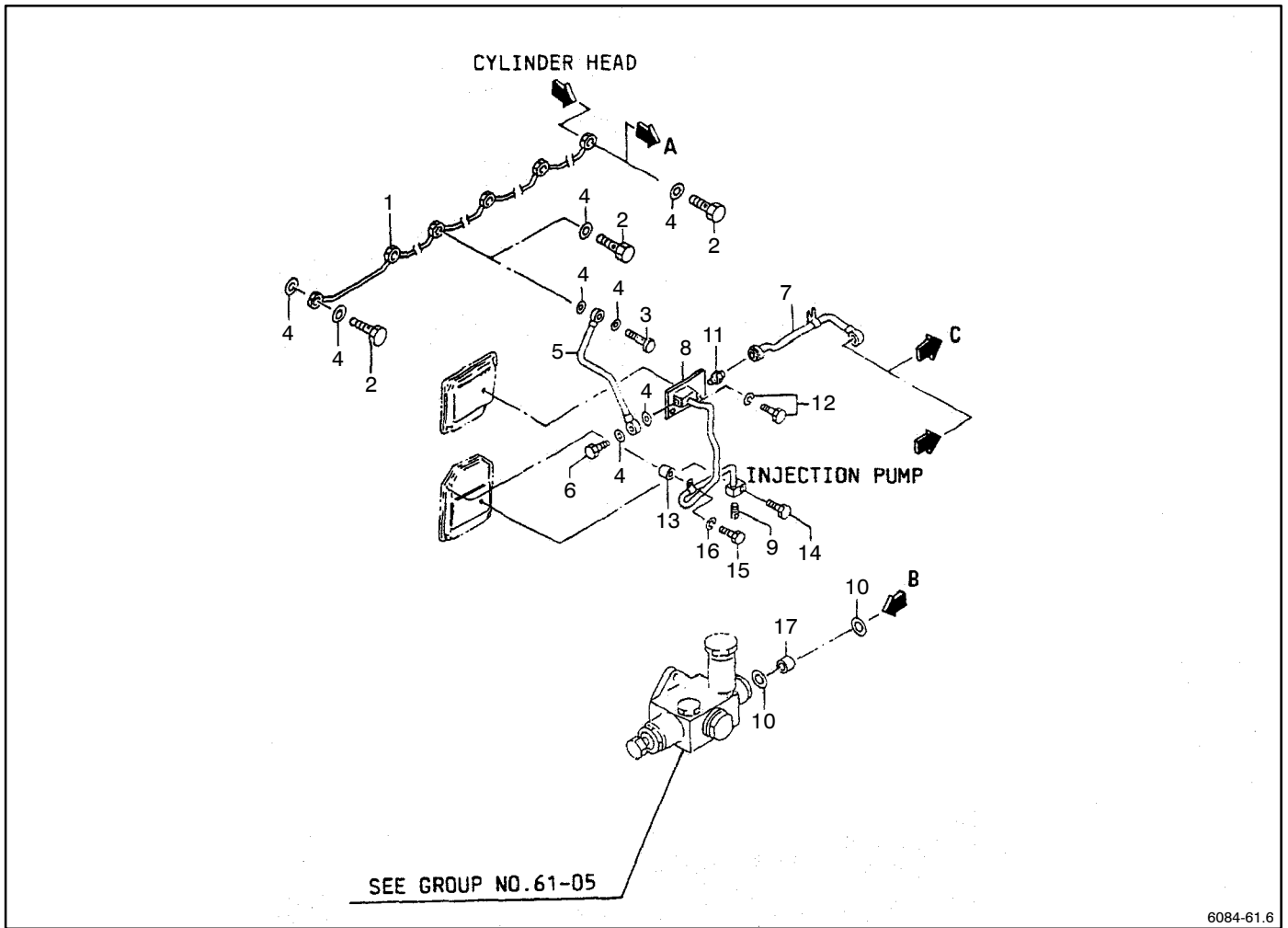
Group 61.5: Feed Pump



6084-61.5

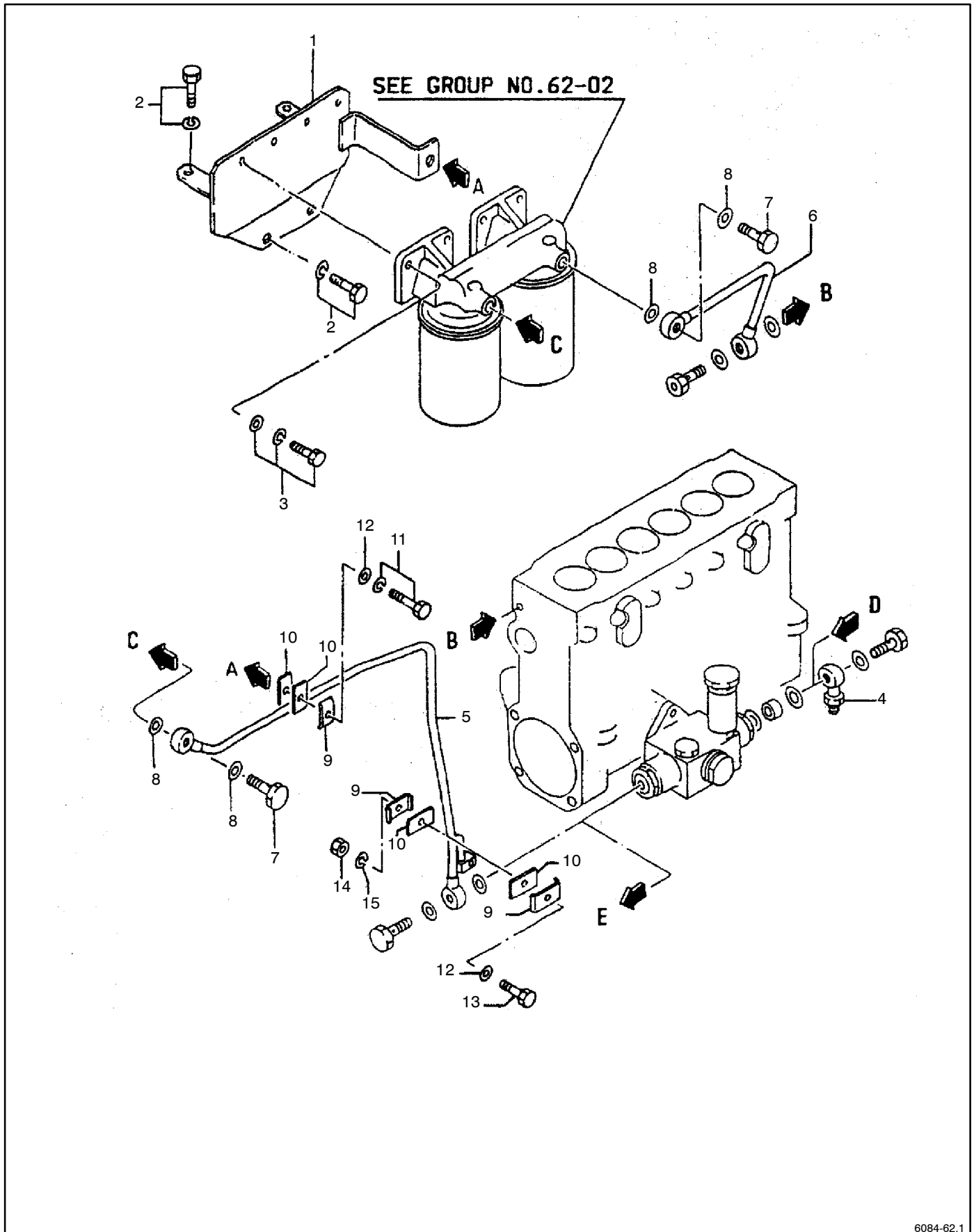
Item	Part Number	Description	Quantity
			Variation Number
1	GM15514	Pump, feed	1
1.01	GM15532	Housing	1
1.02	GM15533	Piston	1
1.03	GM15534	Spring, piston	1
1.04	GM15535	Plug	1
1.05	GM15540	Valve	4
1.06	GM15541	Spring	4
1.07	GM15542	Plug	3
1.08	GM15543	Ring, snap	1
1.09	GM15544	Pump, priming	1
1.10	GM15545	Bolt, eye	1
1.11	GM15513	Bolt, eye	1
1.12	GM14530	Washer, sealing	5
1.13	GM15546	Adapter	2
2	GM15536	Tappet assembly	1
2.01	GM15537	Roller	1
2.02	GM15538	Pin	1
2.03	GM15539	Guide	2

Group 61.6: Fuel Leakoff Pipe



Item	Part Number	Description	Quantity
			Variation Number
1	GM15804	Pipe, fuel	1
2	GM15559	Bolt, eye	5
3	GM15573	Bolt, eye	1
5	GM14528	Washer, sealing	15
8	GM15823	Pipe, fuel leakoff	1
9	GM16025	Bolt, eye	1
10	GM15824	Pipe, fuel leakoff	1
11	GM15815	Pipe, fuel leak end	1
12	GM16035	Plug, tapered	1
13	GM14530	Washer, sealing	3
14	GM16029	Connector	1
15	GM15150	Bolt	2
16	GM15950	Spacer	1
17	GM15957	Bolt	1
19	GM15111	Bolt	1
20	GM15180	Washer, spring	1
24	GM15803	Spacer	1

Group 62.1: Fuel Filter Piping

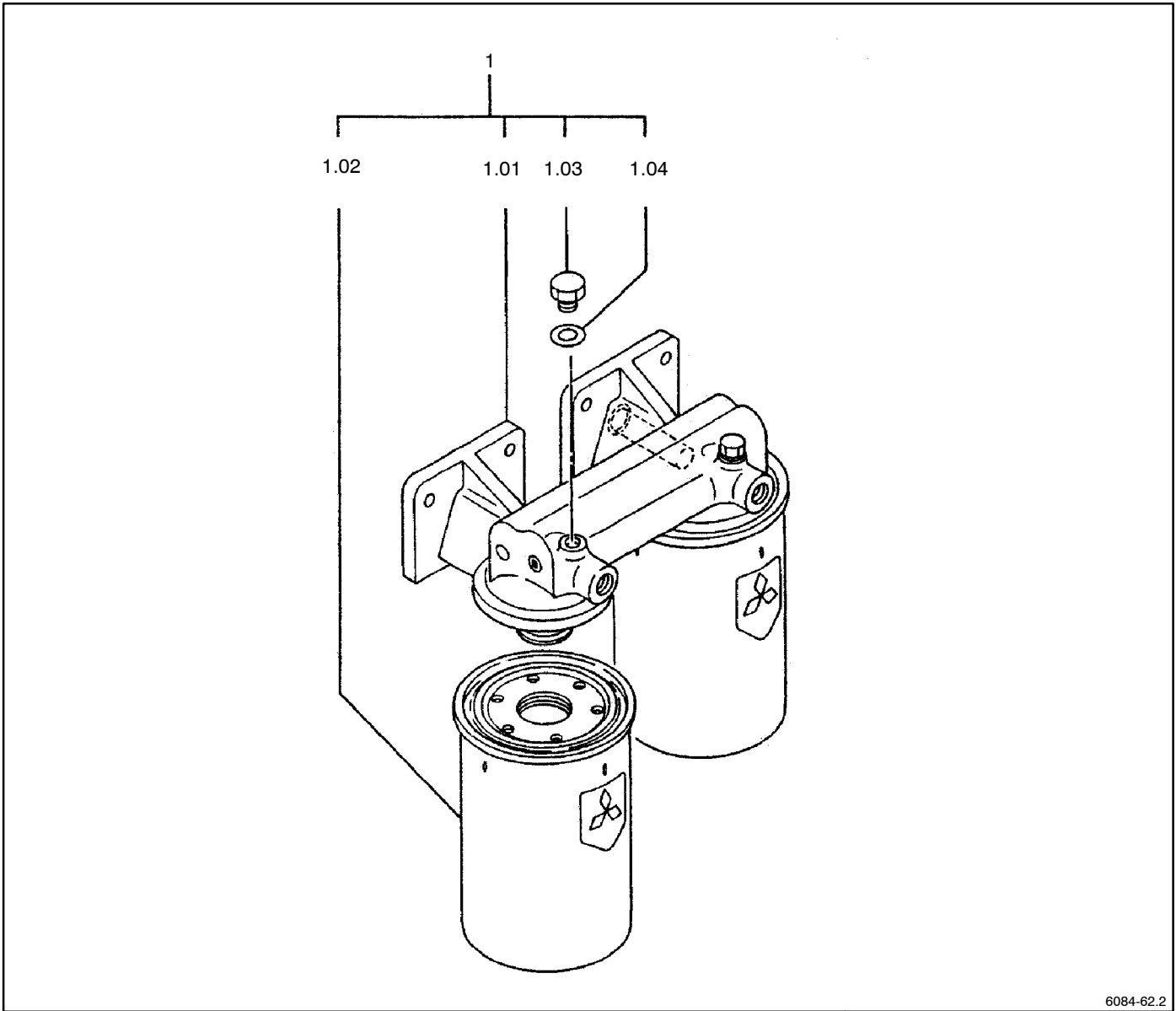


6084-62.1

Group 62.1: Fuel Filter Piping

Item	Part Number	Description	Quantity
			Variation Number 1
1	GM15837	Bracket, fuel filter	1
2	GM15150	Bolt	4
3	GM15154	Bolt	4
4	GM15858	Connector	1
5	GM15836	Pipe	1
6	GM15838	Pipe	1
7	GM15234	Bolt, eye	2
8	GM14530	Washer, sealing	4
9	GM15599	Clamp	3
10	GM15600	Seat	4
11	GM15143	Bolt	1
12	GM15174	Washer, plain	2
13	GM15956	Bolt	1
14	GM15164	Nut	1
15	GM15179	Washer, spring	1

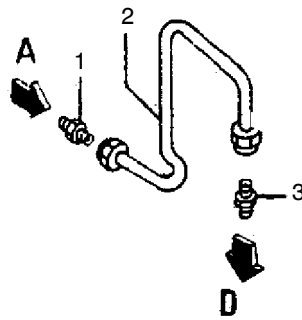
Group 62.2: Fuel Filter



6084-62.2

Item	Part Number	Description	Quantity
			Variation Number
1	GM14931	Filter assembly, fuel	1
1.01	GM14930	Bracket assembly	1
1.02	GM13951	Element, fuel filter	2
1.03	GM14609	Plug, air	1
1.04	GM14527	Washer	1

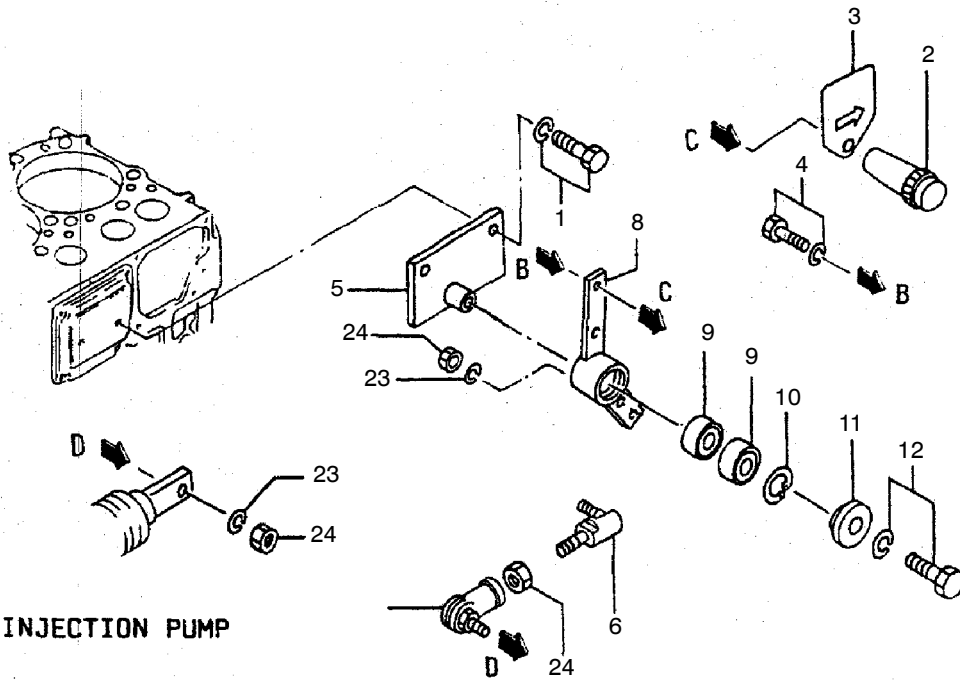
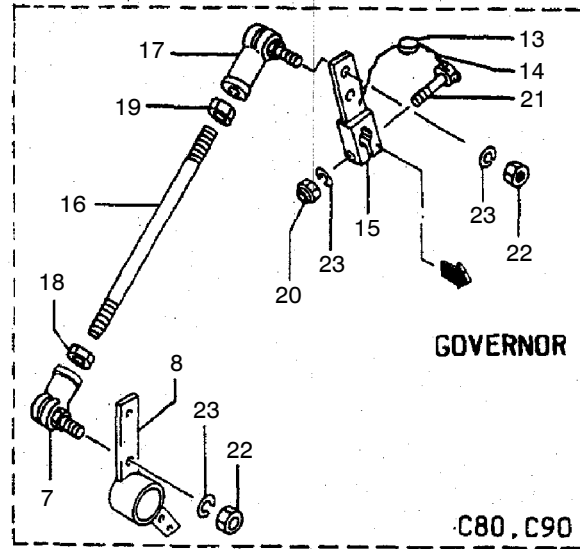
Group 63.2: Governor Pipe



6084-63.2

Item	Part Number	Description	Quantity
			Variation Number
1	GM15869	Connector	1
2	GM15730	Pipe, oil	1
3	GM16027	Connector	1

Group 63.3: Governor Control

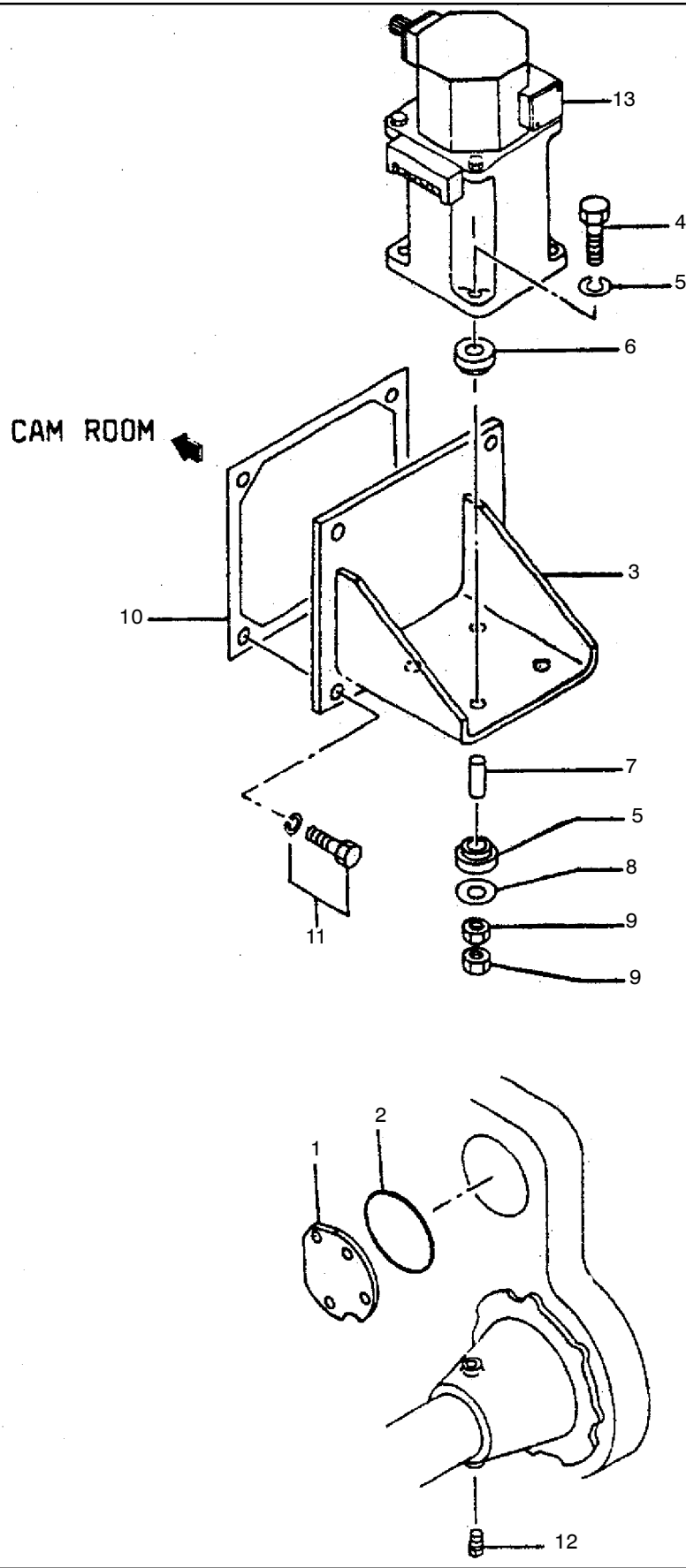


6084-63.3

Group 63.3: Governor Control

Item	Part Number	Description	Quantity
			Variation Number 1
1	GM15150	Bolt	2
2	GM14474	Grip	1
3	GM15860	Plate	1
4	GM15975	Bolt w/washer	1
5	GM15845	Bracket, lever	1
6	GM15846	Joint, ball	1
7	GM14651	Ball joint	2
8	GM15862	Lever	1
9	GM15256	Bearing, ball	2
10	GM16017	Ring, snap	1
11	GM14608	Plate	1
12	GM15144	Bolt	1
13	GM15001	Seal	3
14	GM14463	Wire, seal	3
15	GM15867	Lever	1
16	GM15529	Rod, connecting	1
17	GM14652	Ball joint	1
18	GM15985	Nut	2
19	GM15531	Nut, lock	1
20	GM15989	Nut	1
21	GM15969	Bolt	1
22	GM14621	Nut	2
23	GM15178	Washer, spring	4
24	GM15162	Nut	2

Group 63.4: Governor

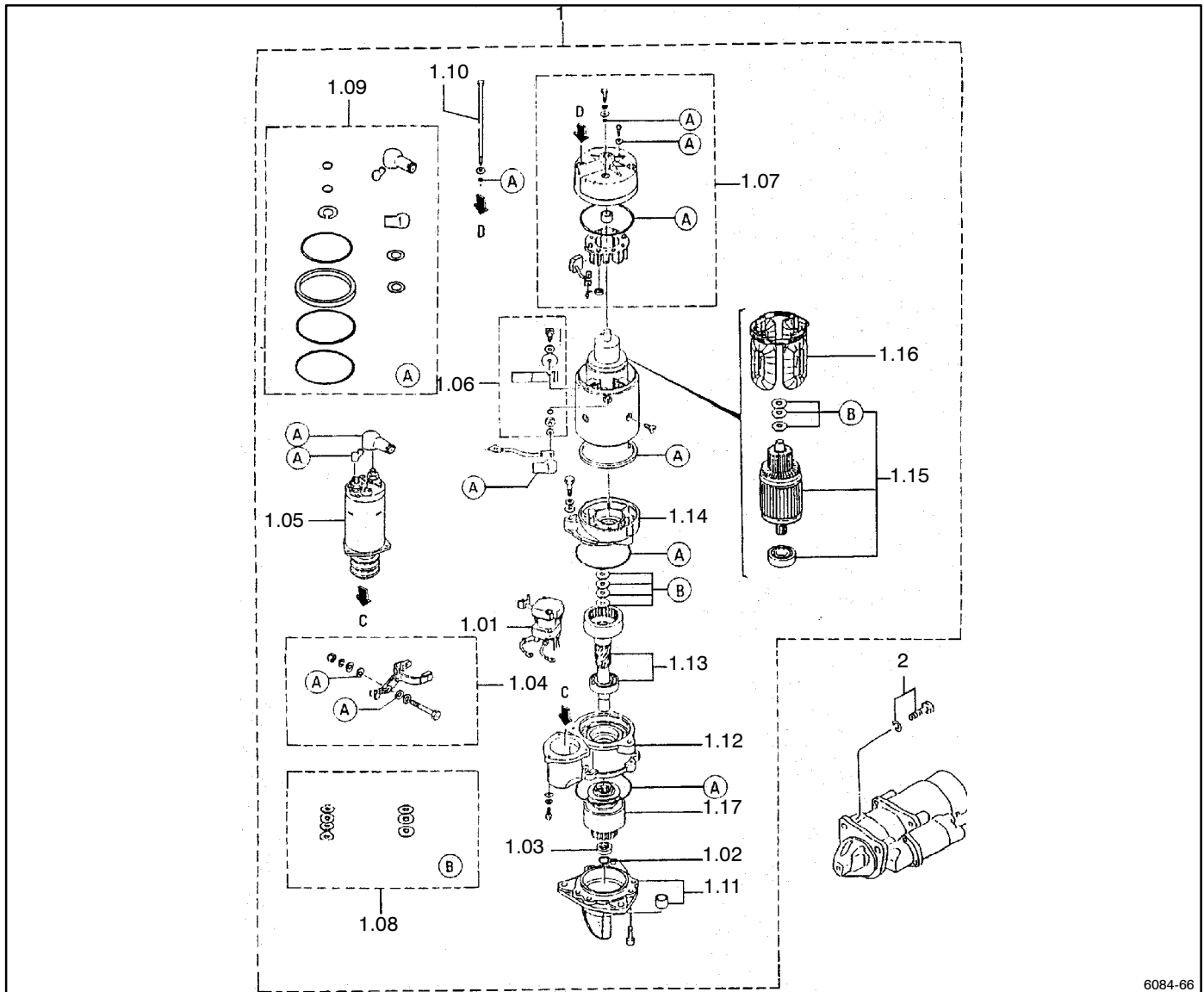


6084-63.4

Group 63.4: Governor

Item	Part Number	Description	Quantity
			Variation Number 1
1	GM15868	Cover	1
2	GM16009	O-ring	1
3	GM15865	Bracket, actuator	1
4	GM15954	Bolt	4
5	GM15177	Washer, spring	4
6	GM14998	Cushion, rubber	8
7	GM15866	Spacer	4
8	GM14555	Washer	4
9	GM15169	Nut	8
10	GM15863	Gasket	1
11	GM15152	Bolt	4
12	GM16034	Plug, tapered	2
13	GM15515	Actuator	1

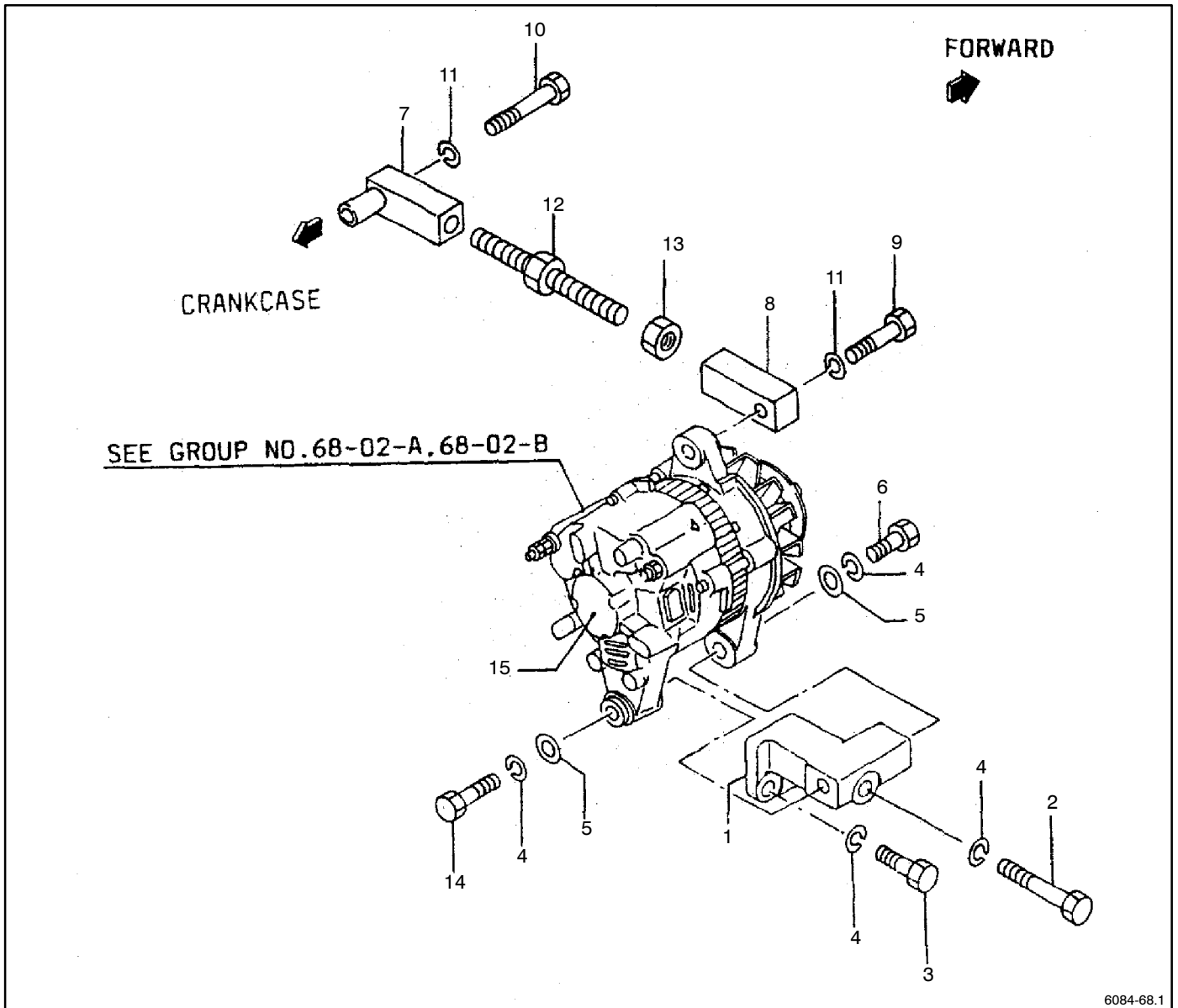
Group 66: Starter



6084-66

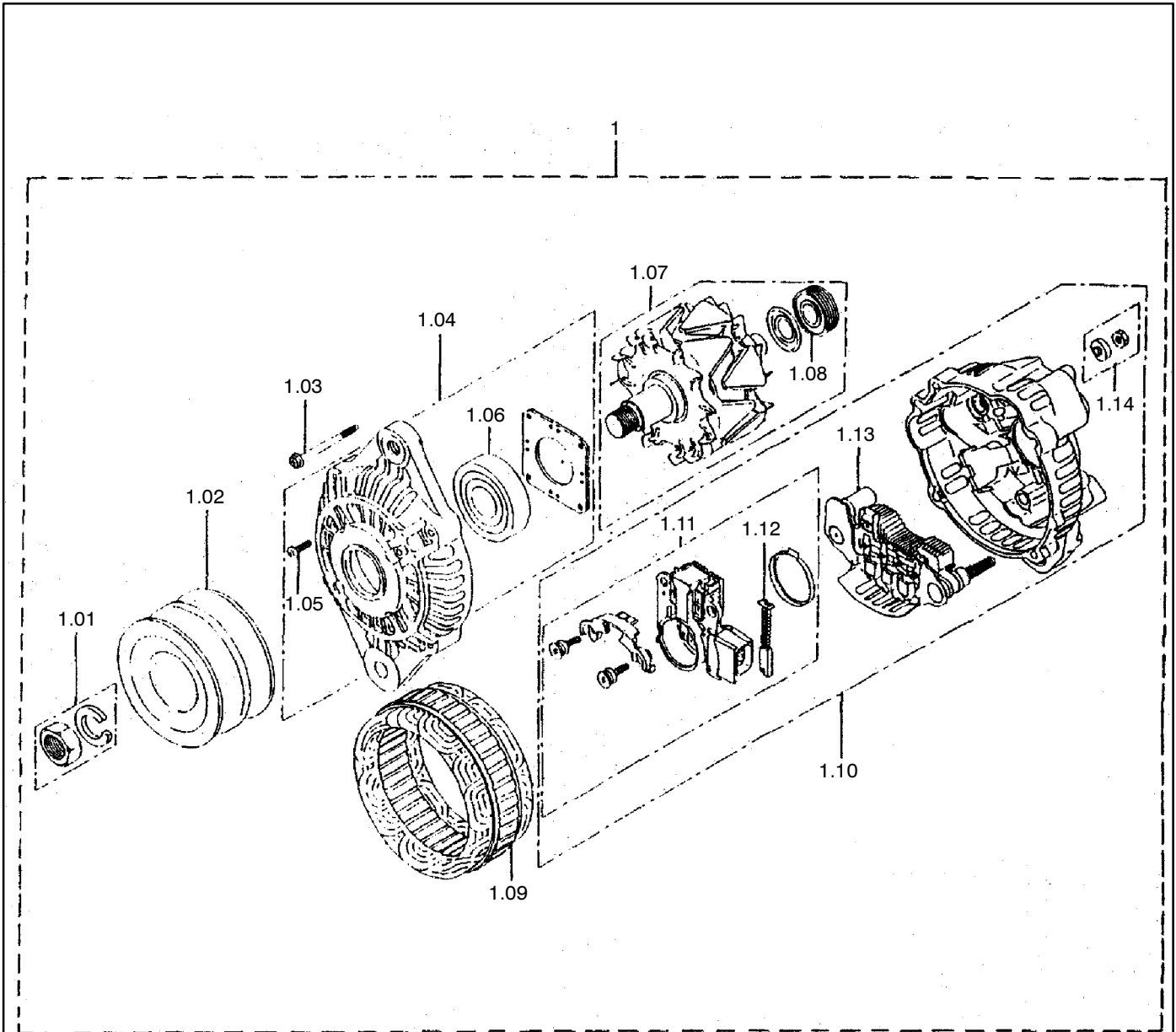
Item	Part Number	Description	Quantity
			Variation Number
1	GM15847	Starter	1
1.01	GM14933	Switch	1
1.02	GM14934	Clip ring	1
1.03	GM14935	Pinion, stopper	1
1.04	GM14937	Lever assembly	1
1.05	GM15848	Switch	1
1.06	GM14938	Terminal	1
1.07	GM14939	Bracket	1
1.08	GM14940	Washer assembly	1
1.09	GM14941	Seal kit	1
1.10	GM14942	Bolt	2
1.11	GM14943	Bracket	1
1.12	GM15849	Bracket	1
1.13	GM14944	Shaft assembly	1
1.14	GM14945	Bracket	1
1.15	GM14946	Armature assembly	1
1.16	GM14947	Coil	1
1.17	GM14936	Clutch assembly	1
2	GM15152	Bolt	3

Group 68.1: Alternator Mounting

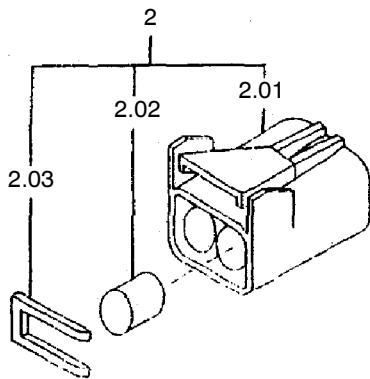


Item	Part Number	Description	Quantity
			Variation Number 1
1	GM15852	Bracket, alternator	1
2	GM15121	Bolt	1
3	GM15108	Bolt	1
4	GM15180	Washer, spring	4
5	GM15175	Washer	2
6	GM15108	Bolt	1
7	GM15851	Rod	1
8	GM14951	Rod	1
9	GM15111	Bolt	1
10	GM15119	Bolt	1
11	GM15180	Washer, spring	2
12	GM15850	Rod, adjusting	1
13	GM15172	Nut	1
14	GM15109	Bolt	1
15	GM14483	Alternator	1

Group 68.2: Alternator



PART WITHOUT REF.NO. SHALL NOT BE SUPPLIED.

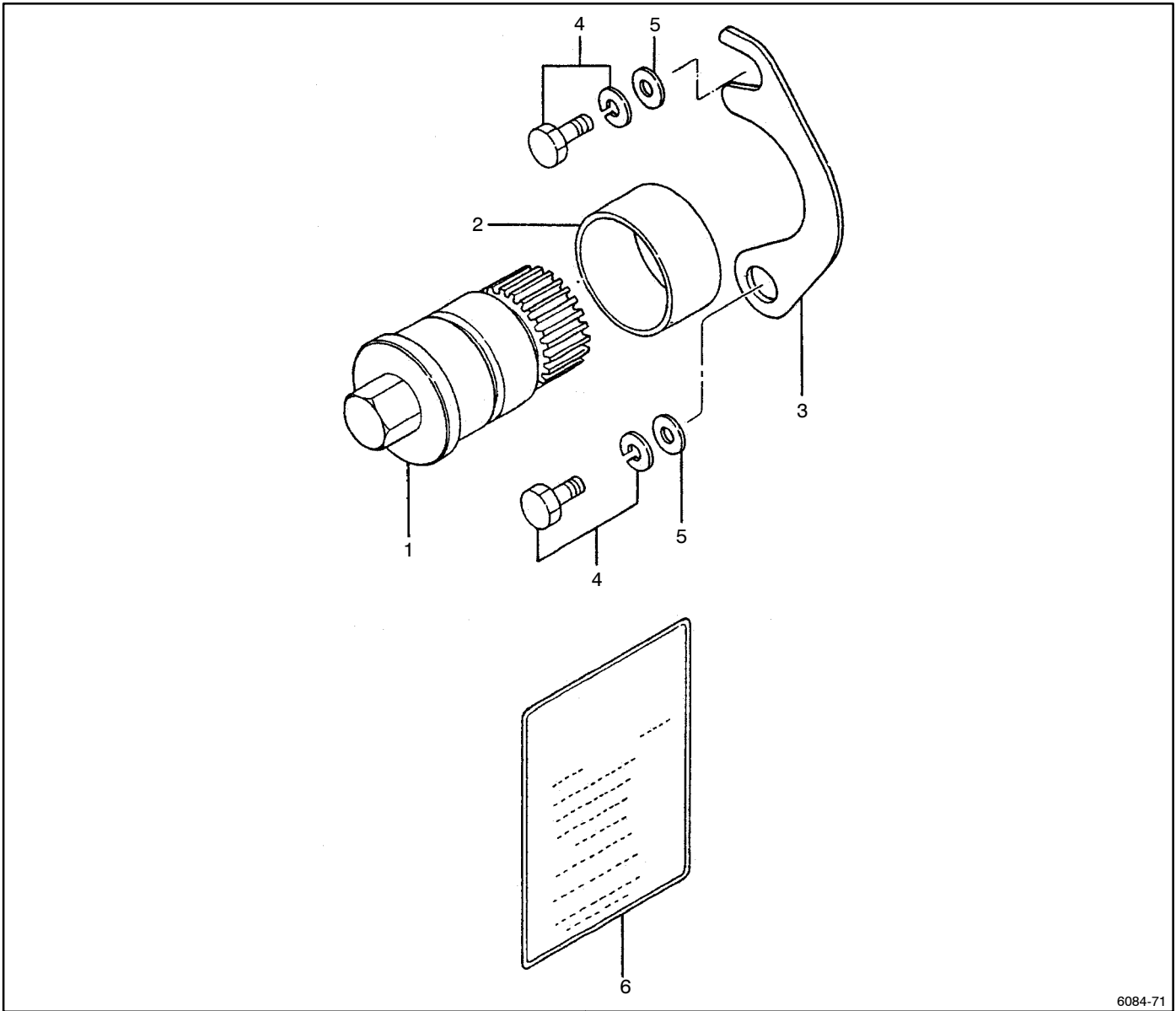


6084-68.2

Group 68.2: Alternator

Item	Part Number	Description	Quantity
			Variation Number 1
1	GM14483	Alternator	1
1.01	GM15092	Nut	1
1.02	GM15093	Pulley	1
1.03	GM15090	Screw set	1
1.04	GM15094	Bracket	1
1.05	GM15091	Screw set	1
1.06	GM15135	Bearing	1
1.07	GM15953	Rotor assembly	1
1.08	GM15170	Bearing	1
1.09	GM15089	Stator	1
1.10	GM15095	Bracket	1
1.11	GM15098	Regulator	1
1.12	GM15096	Brush	2
1.13	GM15097	Rectifier	1
1.14	GM15952	Nut set	1
2	GM14635	Connector	1
2.01	GM15574	Body, connector	1
2.02	GM15575	Plug	2
2.03	GM15576	Holder, rear	1
3	GM14618	Connector	1

Group 71: Turning Gear

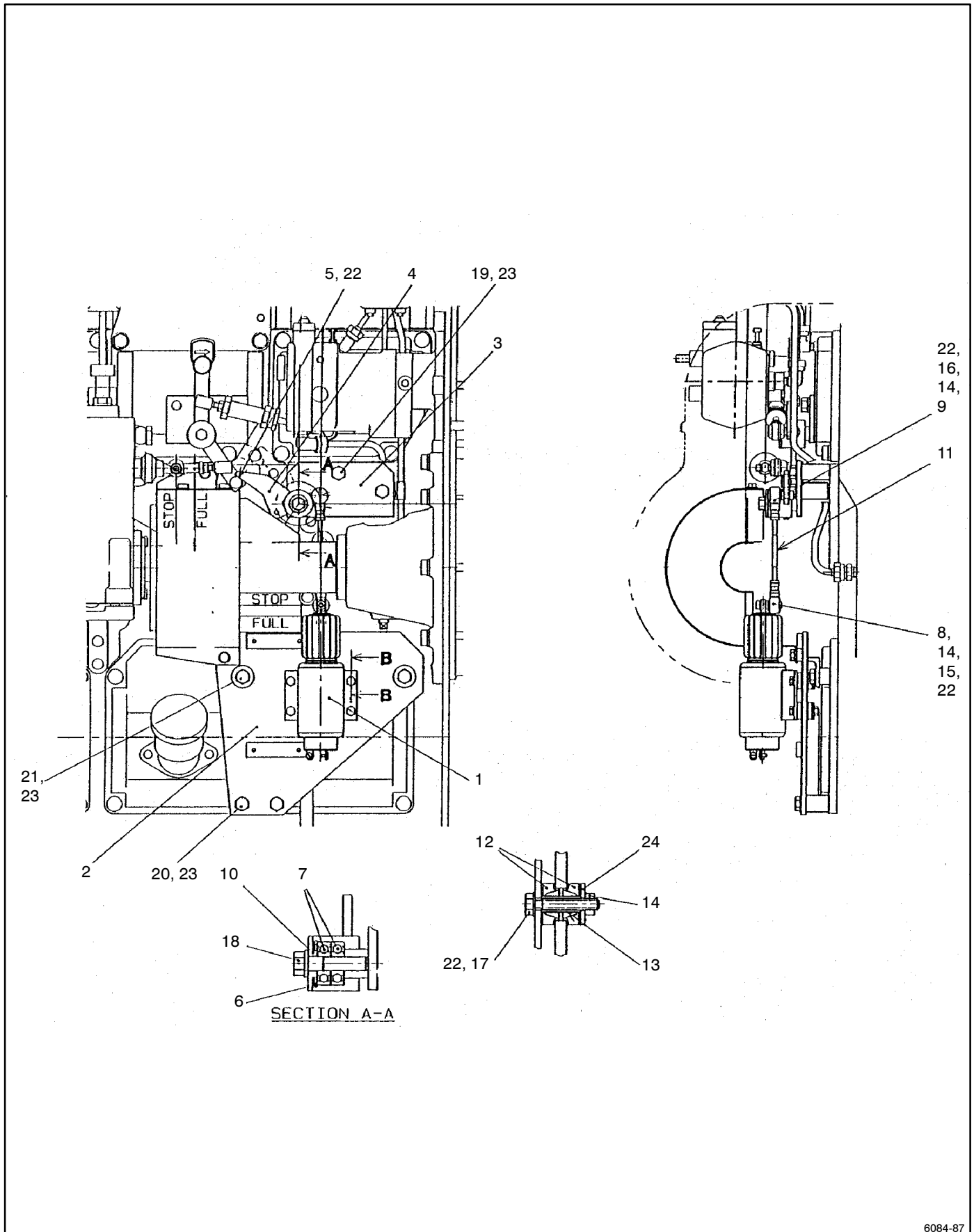


6084-71

Item	Part Number	Description	Quantity
			Variation Number
1	GM14953	Gear, turning	1
2	GM14521	Gasket	1
3	GM15853	Flange	1
4	GM15149	Bolt w/washer	2
5	GM15175	Washer	2
6	GM14952	Plate, caution	1

Notes

Group 87: Stop System

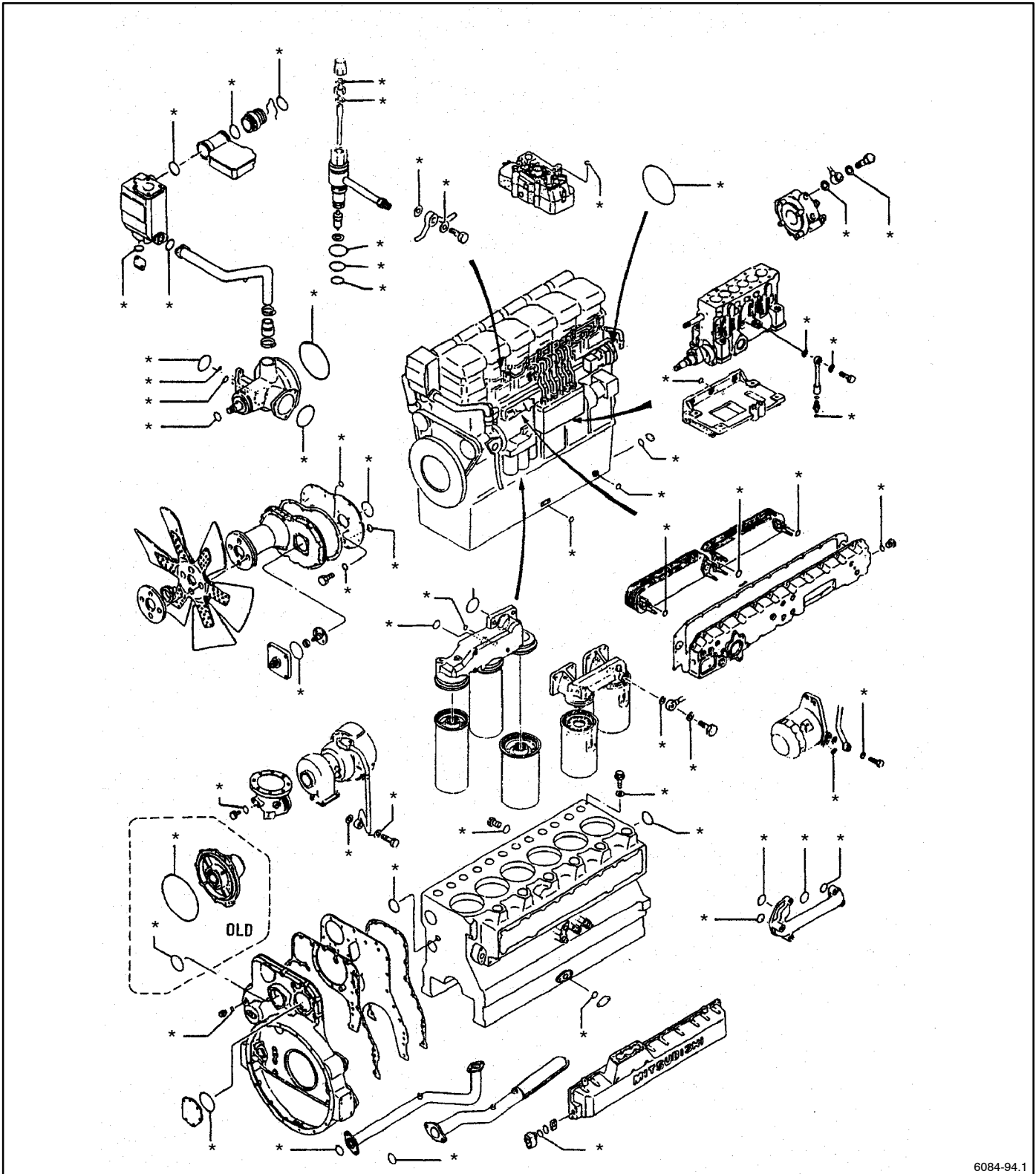


6084-87

Group 87: Stop System

Item	Part Number	Description	Quantity
			Variation Number 1
1	GM14484	Solenoid	1
2	GM15561	Bracket, solenoid	1
3	GM15565	Bracket, lever	1
4	GM15738	Lever, stop	1
5	GM14991	Follower	1
6	GM16017	Ring, snap	1
7	GM15256	Bearing, ball	1
8	GM14653	Joint, ball	1
9	GM14654	Joint, ball	1
10	GM14608	Plate, end	1
11	GM15739	Rod	1
12	GM14998	Cushion, rubber	8
13	GM14999	Spacer	4
14	GM15162	Nut	6
15	GM15169	Nut	1
16	GM14556	Nut	1
17	GM15777	Bolt	4
18	GM15144	Bolt	1
19	GM15119	Bolt	2
20	GM15116	Bolt	2
21	GM15111	Bolt	2
22	GM15177	Washer, spring	7
23	GM15180	Washer, spring	6
24	GM14555	Washer, spring	4

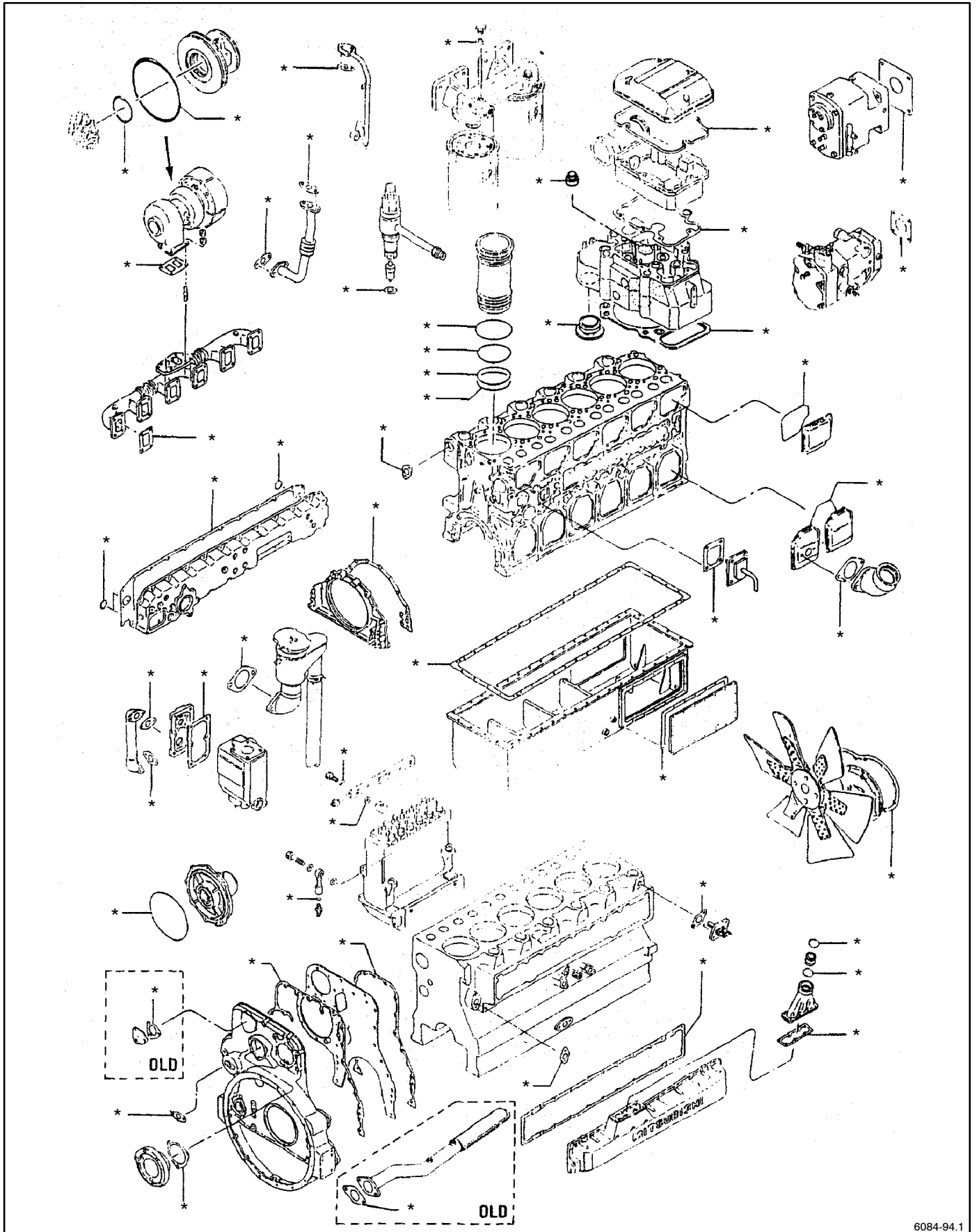
Group 94.1: Overhaul Gasket Kit



6084-94.1

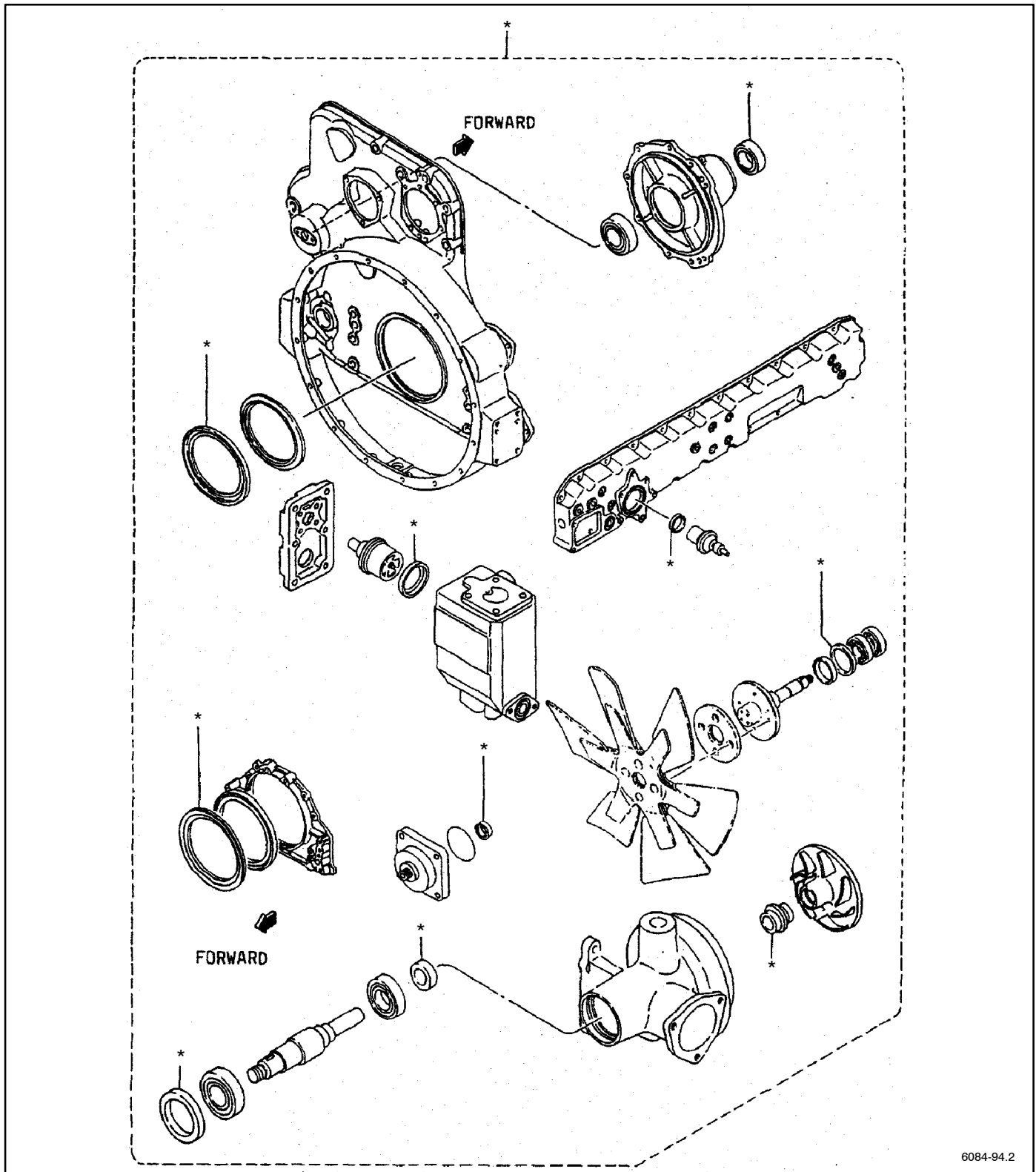
Item	Part Number	Description	Quantity	Variation Number
1	GM15854	Gasket kit (Includes items marked with *.)	1	1

Group 94.1: Overhaul Gasket Kit, continued



6084-94.1

Group 94.2: Oil Seal Kit



6084-94.2

Item	Part Number	Description	Quantity	Variation Number
1	GM15855	Kit, oil seal (Includes items marked with *.)	1	1

