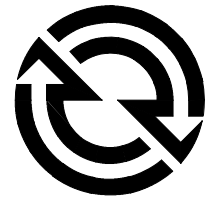


Engine Parts

DETROIT DIESEL



Diesel Engine

Generator Model:

230-275 kW

Engine Series:

60

Engine Model:

6063TK36

GENERAL INFORMATION

This customized parts catalog contains information specific to the customer serial number. All engine components in this catalog are divided into major groups of functionally related parts. A listing of the groups and their sub-groups appears under "Group Nomenclature" of this section.

The Alphabetical Index is particularly helpful when only a part name is known and the group can not readily be determined. Parts are listed alphabetically by noun name, followed by a description of the application of the part and the final group location.

Unlike the normal parts catalog this book does not contain types. The listing of parts is separated only by a group identification (e.g. 1.1000 for cylinder blocks). Components of major assemblies will follow the assembly. The order in which parts are listed is the same as the normal parts catalog.

Also included in the last pages of this catalog is a listing of various supplies required to maintain your engine.

The data in this publication is based on information known to Detroit Diesel at the time of printing. While every care and effort has been taken to ensure the accuracy of all information, engine modifications or subsequent engineering changes or enhancements may cause certain data to be superseded or rendered obsolete. Detroit Diesel reserves the right to make changes to this catalog at any time without notice.

If additional assistance is needed please contact your authorized Detroit Diesel service outlet.

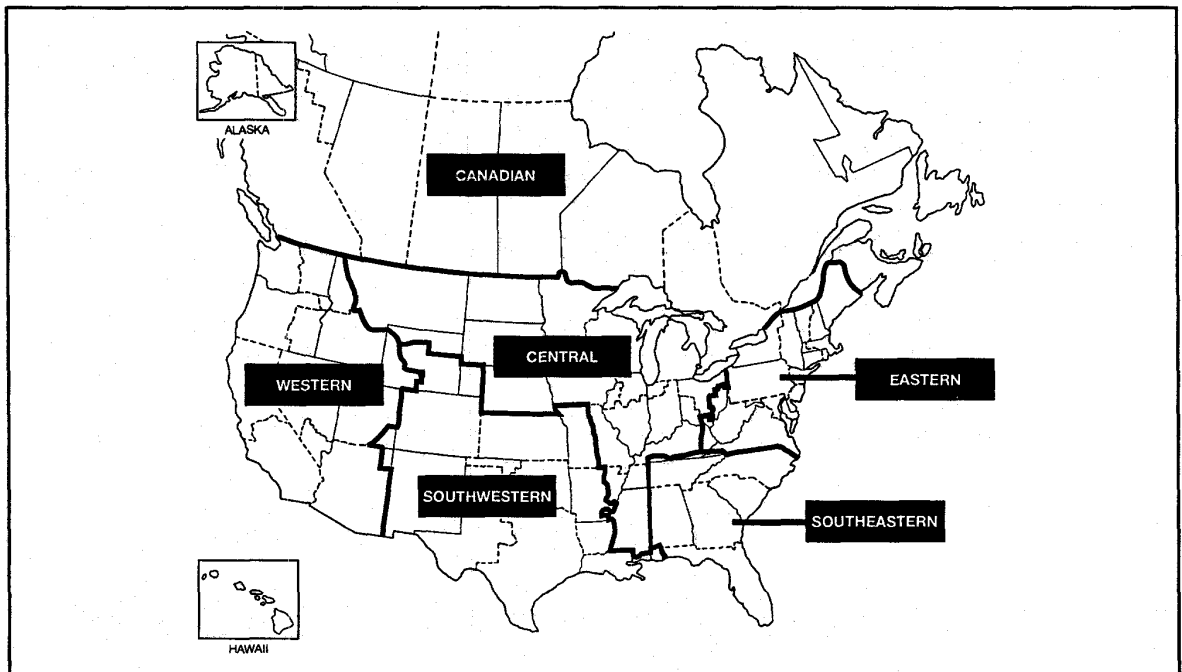
IMPORTANT ENGINE INFORMATION

Your engine serial number should be kept readily available. It can be used to identify your model as well as ALL service parts including kits, sets, warranty information and extended coverage available.

CUSTOMER ASSISTANCE

The satisfaction and goodwill of the owners of Detroit Diesel engines are of primary concern to Detroit Diesel Corporation and its distributor/dealer organizations.

As the owner of A Detroit Diesel Product you have a complete network of over 2,000 Detroit Diesel service outlets in the U.S. and Canada, plus many outlets worldwide that are prepared to meet your parts and service needs:



EASTERN REGION

Long Branch, New Jersey
187 Monmouth Park Highway
West Long Branch, NJ 07764
Phone: (732) 222-1888
Fax: (732) 222-3411

SOUTHEASTERN REGION

Jacksonville, Florida
5111 Bowden Road
Jacksonville, FL 32216
Phone: (904) 448-8833
Fax: (904) 448-2444

CENTRAL REGION

Detroit, Michigan
13400 Outer Drive, West
Detroit, MI 48239-4001
Phone: (313) 592-5990
Fax: (734) 762-1032

SOUTHWESTERN REGION

Dallas, Texas
2711 LBJ Freeway
Suite 1036
Dallas, TX 75234
Phone: (972) 247-4313
Fax: (972) 247-4316

WESTERN REGION

Downey, California
10645 Studebaker Road
Downey, CA 90241
Phone: (562) 929-7016
Fax: (562) 864-0502

CANADIAN REGION

London, Ontario
Detroit Diesel of Canada Ltd.
150 Dufferin Ave., Suite 701
London, ON N6A 5N6
Phone: (519) 661-0149
Fax: (519) 661-0171

LATIN AMERICAN REGION

Miami, Florida
2277 N.W. 14th Street
Miami, FL 33125-0068
Phone: (305) 637-1555
Fax: (305) 637-1580

ASIAN REGION

Singapore
No. 1 Benoi Place
Singapore 629923
Phone: (65) 865-1911
Fax: (65) 861-1618

PACIFIC REGION

Australia
47 First Street
Black Rock, Victoria 3193
Phone: (61) 9589-0484
Fax: (61) 9589-6858

EUROPE, MIDDLE EAST, AFRICA (EMA) REGION

The Netherlands
Ridderpoort 9
P.O. Box 4161
2980 GD Ridderkerk
The Netherlands
Phone: (31) 1804-10208
Fax: (31) 1804-62062

MEXICO

Detroit Diesel-Allison de Mexico
Av. Santa Rosa 58
Col. Ampliacion Norte
San Juan Ixtacala, Tlanepantla
C.P. 54160, Edo do Mexico
Phone: (525) 333-1802
Fax: (525) 333-1870

DETROIT DIESEL

Custom Parts Catalog

ENGINE DESCRIPTION

SERIAL NUMBER: 06R0392220

SERIES NUMBER: 60

MODEL NUMBER: 6063TK36

GROUP NOMENCLATURE

1.0000	ENGINE (less major assemblies)
1.1000	Cylinder Block
1.2000	Cylinder Head
1.2000A	Engine Lifter Bracket
1.3000	Crankshaft
1.3000A	Crankshaft Front Cover
1.3000B	Vibration Damper
1.3000C	Crankshaft Pulley
1.3000D	Crankshaft Pulley Belt
1.4000A	Flywheel
1.5000A	Flywheel Housing
1.6000	Connecting Rod and Piston
1.7000	Camshaft and Gear Train
1.7000B	Accessory Drive
1.8000	Valve and Injector Operating Mechanism
1.8000A	Rocker Cover
2.0000	FUEL SYSTEM
2.1000A	Fuel Injector
2.1000B	Electronic Injector Controls
2.2000	Fuel Pump
2.3000A	Fuel Filter and Strainer
2.5000A	Fuel Lines and Fuel Cooler
3.0000	AIR SYSTEM
3.3000C	AirIntake Manifold
3.5000A	Turbocharger, Intercooler, and Aftercooler
4.0000	LUBRICATING SYSTEM
4.1000A	Oil Pump
4.1000B	Oil Distribution System
4.1000C	Oil Pressure Regulator
4.2000A	Oil Filter
4.4000A	Oil Cooler
4.5000A	Oil Filler Cover
4.6000A	Dipstick
4.7000A	Oil Pan
4.8000A	Ventilating System
5.0000	COOLING SYSTEM
5.1000	Fresh Water Pump
5.1000A	Fresh Water Pump Cover
5.2000B	Thermostat
5.2000C	Water Bypass Tube
5.3000B	Water Connections
5.4000A	Fan Support
6.0000	EXHAUST SYSTEM
6.1000A	Exhaust Manifold and/or Connections
7.0000	ELECTRICAL—INSTRUMENTS
7.1000A	Battery Charging Generator Bracket
7.3000A	Starting Motor
7.4000B	Tachometer Drive
11.0000	ENGINE MOUNTING
11.1000A	Engine Mounting and Base
12.0000	MISCELLANEOUS
12.4000A	Air Compressor
12.5000A	Hydraulic Pump
12.8000A	Supplies
12.8000B	Fabrication Material
12.8000C	Miscellaneous Service Kits and Sets

JULY 1991

COPYRIGHT 1991 DETROIT DIESEL CORPORATION

ALPHABETICAL INDEX

PART NAME	GROUP NO.	PART NAME	GROUP NO.
A		C	
ACCESSORY DRIVE	1. 7000B	CLAMP, BREATHER TUBE	4. 8039
ADAPTOR KIT, POWER TAKE OFF	1. 3281	CLAMP, INJECTOR	2. 1270
ADAPTOR, DIPSTICK	4. 6030	CLAMP, WATER FILTER INLET HOSE	5. 7095
ADAPTOR, HYDRAULIC PUMP	12.5020	CLIP, AIR COMPRESSOR WATER TUBE	12.4095
ADAPTOR, OIL COOLER	4. 4110	CLIP, BREATHER TUBE	4. 8040
ADAPTOR, OIL FILTER COVER	4. 2291	CLIP, COLD PLATE TO FILTER HOSE	2. 5121
ADAPTOR, TACHOMETER DRIVE CABLE	7. 4420	CLIP, CYLINDER HEAD INLET	2. 5180
AIR CLEANER AND/OR ADAPTOR	3. 1000A	CLIP, DIPSTICK	4. 6040
AIR COMPRESSOR	12.4000A	CLIP, FLEXIBLE HOSE	12.8554
AIR INTAKE MANIFOLD	3. 3000C	CLIP, OIL FILTER LINE	4. 3045
AIR NTAKE MANIFOLD	3. 3801	CLIP, STRAINER TO FUEL PUMP	2. 5070
ARM ASSY., EXHAUST VALVE ROCKER	1. 8060	CLIP, TURBOCHARGER OIL RETURN TUBE	3. 5507
ARM ASSY., INJECTOR ROCKER	1. 8080	CLIP, TURBOCHARGER OIL SUPPLY TUBE	3. 5502
ARM ASSY., INTAKE VALVE ROCKER	1. 8075	CLIP, WATER BYPASS TUBE	5. 2190
B		CLIP, WATER PUMP TO OIL COOLER TUBE	5. 3405
BALL AND SEAT ASSY., INJECTOR ROCKER		COMPRESSOR ASSY., AIR	12.4001
ARM	1. 8090	CONNECTING ROD AND PISTON	1. 6000
BATTERY CHARGING GENERATOR	7. 1000A	CONNECTING ROD ASSY.	1. 6001
BEARING, ACCESSORY DRIVE	1. 7655	CONNECTOR, PERIPHERAL	2. 1580
BEARING, AIR COMPRESSOR DRIVE SHAFT	12.4048	CORE, OIL COOLER ENGINE	4. 4001
BEARING, CAMSHAFT	1. 7040	COUPLING, AIR COMPRESSOR DRIVE	12.4050
BEARING, FAN SPINDLE	5. 4111	COUPLING, FUEL PUMP DRIVE	2. 2230
BEARING, FRESH WATER PUMP	5. 1070	COUPLING, HYDRAULIC PUMP DRIVE	12.5010
BEARING, FUEL PUMP	2. 2060	COVER ASSY., ROCKER	1. 8450
BEARING, IDLER GEAR	1. 7225	COVER, AIR COMPRESSOR DRIVE ADAPTOR	12.4032
BEARING, PISTON PIN	1. 6142	COVER, CAMSHAFT BEARING CAP	1. 7037
BELT, CRANKSHAFT PULLEY DRIVE	1. 3320	COVER, ENGINE FRONT ACCESSORY DRIVE	1. 3191
BELT, GENERATOR DRIVE	7. 1575	COVER, FRESH WATER PUMP BODY	5. 1031
BLADE, FAN HIGH LOW AND CRANKSHAFT		COVER, FUEL FILTER	2. 3390
MOUNTED	5. 4010	COVER, FUEL PUMP	2. 2030
BLOCK, CYLINDER	1. 1001	COVER, FUEL STRAINER	2. 3080
BODY, FRESH WATER PUMP	5. 1030	COVER, GEAR CASE	1. 3158
BODY, FUEL PUMP	2. 2010	COVER, INJECTOR HARNESS	2. 1702
BODY, OIL PRESSURE REGULATOR AND RELIEF	4. 1680	COVER, OIL FILLER HOLE	4. 5070
BODY, OIL PUMP	4. 1040	COVER, OIL PUMP	4. 1220
BOLT, CAMSHAFT BEARING CAP	1. 7046	COVER, TACHOMETER DRIVE	7. 4445
BOLT, CRANKSHAFT MAIN BEARING CAP	1. 3140	COVER, THERMOSTAT HOUSING	5. 2120
BOLT, EXHAUST MANIFOLD TO HEAD	6. 1025	COVER, WATER FILTER	5. 7034
BOLT, ROCKER COVER	1. 8460	COVER, WATER PUMP	5. 1235
BRACKET, AIR COMPRESSOR MOUNTING	12.4010	CRANKSHAFT ASSY.	1. 3001
BRACKET, BREATHER EXTENSION PIPE	4. 8183	CRANKSHAFT FRONT COVER	1. 3000A
BRACKET, ELECTRONIC DISTRIBUTOR UNIT	2. 1530	CRANKSHAFT PULLEY	1. 3000C
BRACKET, ENGINE LIFTER - REAR	1. 2080	CRANKSHAFT PULLEY BELT	1. 3000D
BRACKET, ENGINE LIFTER-FRONT	1. 2070	CRANKSHAFT, OIL SEALS AND STABILIZERS	1. 3000
BRACKET, GENERATOR MOUNTING	7. 1595	CYLINDER BLOCK	1. 1000
BRACKET, OIL COOLER HOUSING SUPPORT	4. 4100	CYLINDER HEAD	1. 2000
BRACKET, OIL PUMP SCREEN SUPPORT	4. 1540	CYLINDER KIT	1. 6182
BUSHING, INJECTOR ROCKER ARM	1. 8110	D	
BUSHING, OIL PUMP BODY	4. 1050	DAMPER, VIBRATION	1. 3210
C		DIPSTICK	4. 6000A
CAMSHAFT AND GEAR TRAIN	1. 7000	DIPSTICK	4. 6001
CAMSHAFT ASSY.	1. 7001	DISC, FLYWHEEL FLEXIBLE COUPLING	1. 4075
CAP, CRANKSHAFT MAIN BEARING	1. 3110	DRIVE ASSY., ACCESSORY	1. 7600
CAP, CAMSHAFT BEARING	1. 7042	DRIVE ASSY., AIR COMPRESSOR	12.4030
CAP, OIL FILLER	4. 5010	DRIVE ASSY., FUEL PUMP	2. 2240
CHAIN, OIL FILLER CAP	4. 5030	DRIVE GEAR, AIR COMPRESSOR DRIVE ASSY.	12.4072
CLAMP, AIR INLET PIPE HOSE	3. 1280		

ALPHABETICAL INDEX

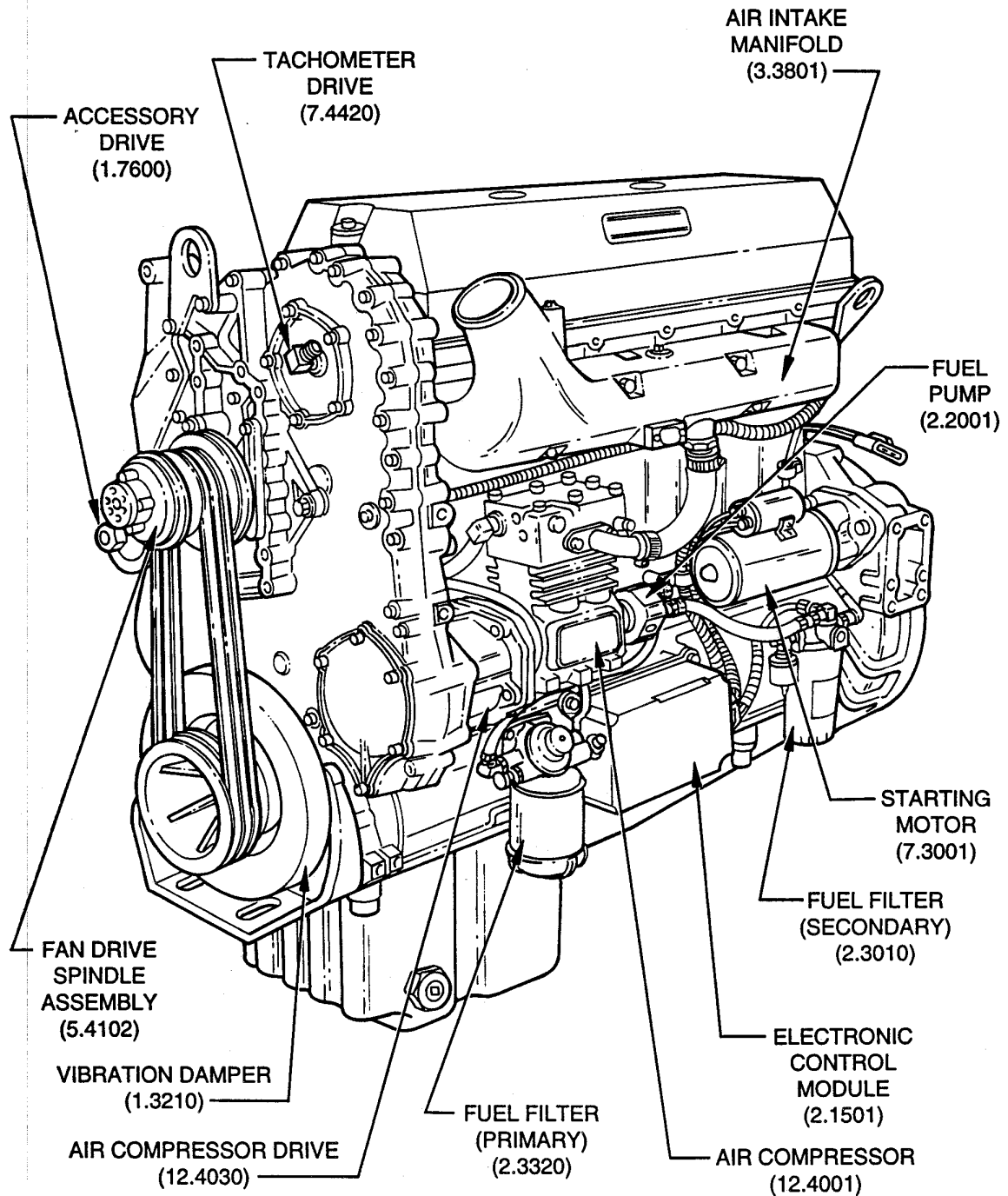
PART NAME	GROUP NO.	PART NAME	GROUP NO.
E			
ELBOW, TURBOCHARGER AIR INLET	3. 1259	GEAR ASSY., IDLER	1. 7220
ELEMENT, FUEL FILTER	2. 3320	GEAR, ACCESSORY DRIVE SHAFT	1. 7642
ELEMENT, FUEL STRAINER	2. 3010	GEAR, CAMSHAFT AND BALANCE SHAFT	1. 7200
ELEMENT, OIL FILTER	4. 2250	GEAR, CRANKSHAFT TIMING	1. 3145
ENGINE MOUNTING BASE	11.1000A	GEAR, FLYWHEEL RING	1. 4010
ENGINE, LIFTER BRACKET	1. 2000A	GEAR, FRESH WATER PUMP DRIVE	5. 1190
EXHAUST MANIFOLD AND/OR CONNECTIONS	6. 1000A	GEAR, FUEL PUMP DRIVE	2. 2087
F			
FABRICATION MATERIAL	12.8000B	GEAR, FUEL PUMP DRIVE	2. 2255
FAN	5. 4000A	GEAR, FUEL PUMP DRIVEN	2. 2088
FILTER ASSY., WATER	5. 7001	GEAR, HYDRAULIC PUMP DRIVE	12.5030
FILTER UNIT, BREATHER	4. 8060	GEAR, IDLER	1. 7222
FITTINGS, FLEXIBLE HOSE END	12.8552	GEAR, OIL PUMP DRIVE	4. 1090
FLYWHEEL	1. 4000A	GENERATOR ASSY.	7. 1001
FLYWHEEL ASSY.	1. 4001	GUIDE, DIPSTICK	4. 6020
FLYWHEEL HOUSING	1. 5000A	GUIDE, EXHAUST VALVE	1. 8320
FRESH WATER PUMP	5. 1000	H	
FRESH WATER PUMP COVER	5. 1000A	HARNES, ELECTRONIC DISTRIBUTOR UNIT TO INJECTOR	2. 1700
FUEL FILTER AND STRAINER	2. 3000A	HARNES, ENGINE SENSORS TO DISCONNECT	2. 1720
FUEL INJECTOR	2. 1000A	HEAD ASSY., CYLINDER	1. 2001
FUEL LINES AND FUEL COOLER	2. 5000A	HOSE, COLD PLATE TO FILTER	2. 5116
FUEL PUMP	2. 2000	HOSE, COLD PLATE TO FUEL FILTER	2. 5117
G			
GASKET KIT, CYLINDER HEAD OVERHAUL	1. 2002	HOSE, FILTER TO CYLINDER HEAD	2. 5160
GASKET KIT, ENGINE OVERHAUL	1. 1002	HOSE, FLEXIBLE (BULK)	12.8550
GASKET, ADAPTOR TO OIL COOLER HOUSING	4. 4112	HOSE, FUEL DRAIN	2. 5215
GASKET, AIR COMPRESSOR DRIVE HOUSING	12.4039	HOSE, FUEL PUMP INLET	2. 5060
GASKET, AIR COMPRESSOR MOUNTING	12.4005	HOSE, FUEL PUMP OUTLET TO COLD PLATE	2. 5115
GASKET, BREATHER SHELL COVER	4. 8057	HOSE, FUEL PUMP OUTLET TO FILTER	2. 5110
GASKET, CYLINDER HEAD COMPRESSION	1. 2010	HOSE, WATER BYPASS TUBE	5. 2165
GASKET, ENGINE FRONT ACCESSORY DRIVE	1. 3192	HOSE, WATER FILTER INLET	5. 7090
GASKET, EXHAUST MANIFOLD	6. 1010	HOSE, WATER FILTER OUTLET	5. 7100
GASKET, FRESH WATER PUMP	5. 1010	HOSE, WATER PUMP TO OIL COOLER	5. 3401
GASKET, FRESH WATER PUMP BODY COVER	5. 1032	HOUSING ASSY, TURBOCHARGER INTERMEDIATE	3. 5018
GASKET, FUEL PUMP COVER	2. 2040	HOUSING ASSY., FLYWHEEL	1. 5001
GASKET, FUEL PUMP TO ENGINE OR DRIVE ASSY.	2. 2007	HOUSING ASSY., GEAR CASE	1. 3156
GASKET, FUEL PUMP VALVE PLUG	2. 2180	HOUSING, ACCESSORY DRIVE	1. 7627
GASKET, HYDRAULIC PUMP	12.5005	HOUSING, AIR COMPRESSOR DRIVE	12.4036
GASKET, OIL COOLER ADAPTOR TO BLOCK	4. 4115	HOUSING, FAN DRIVE SPINDLE	5. 4103
GASKET, OIL COOLER CORE-INNER	4. 4030	HOUSING, OIL COOLER-ENGINE	4. 4050
GASKET, OIL COOLER CORE-OUTER	4. 4040	HOUSING, OIL TRANSFER COOLER-FILTER ADAPTOR	4. 4053
GASKET, OIL COOLER HOUSING	4. 4055	HOUSING, TURBOCHARGER COMPRESSOR	3. 5022
GASKET, OIL FILLER HOLE COVER	4. 5080	HOUSING, TURBOCHARGER TURBINE	3. 5003
GASKET, OIL FILLER TUBE ADAPTOR	4. 5007	HUB, ADJUSTABLE IDLER GEAR	1. 7255
GASKET, OIL PAN TO BLOCK	4. 7030	HUB, AIR COMPRESSOR	12.4040
GASKET, OIL PRESSURE REGULATOR BODY	4. 1730	HUB, CAMSHAFT GEAR	1. 7206
GASKET, OIL PUMP INLET PIPE	4. 1520	HUB, FLYWHEEL FLEXIBLE COUPLING	1. 4080
GASKET, OIL PUMP OUTLET PIPE	4. 1590	HUB, FUEL PUMP DRIVE GEAR	2. 2292
GASKET, ROCKER COVER	1. 8455	HUB, IDLER GEAR	1. 7250
GASKET, STARTING MOTOR	7. 3004	HUB, IDLER GEAR BEARING	1. 7228
GASKET, TACHOMETER DRIVE COVER	7. 4447	HYDRAULIC PUMP	12.5000A
GASKET, TURBOCHARGER EXHAUST INLET CONNECTION	3. 5307	I	
GASKET, TURBOCHARGER OIL RETURN TUBE	3. 5506	IMPELLER, FRESH WATER PUMP	5. 1110
GASKET, WATER PUMP COVER	5. 1236	INJECTOR ASSY.	2. 1001
GEAR ASSY., ADJUSTABLE CAMSHAFT IDLER	1. 7221	INJECTOR CONTROLS ELECTRONIC	2. 1000B
		INSERT, EXHAUST VALVE	1. 8330

ALPHABETICAL INDEX

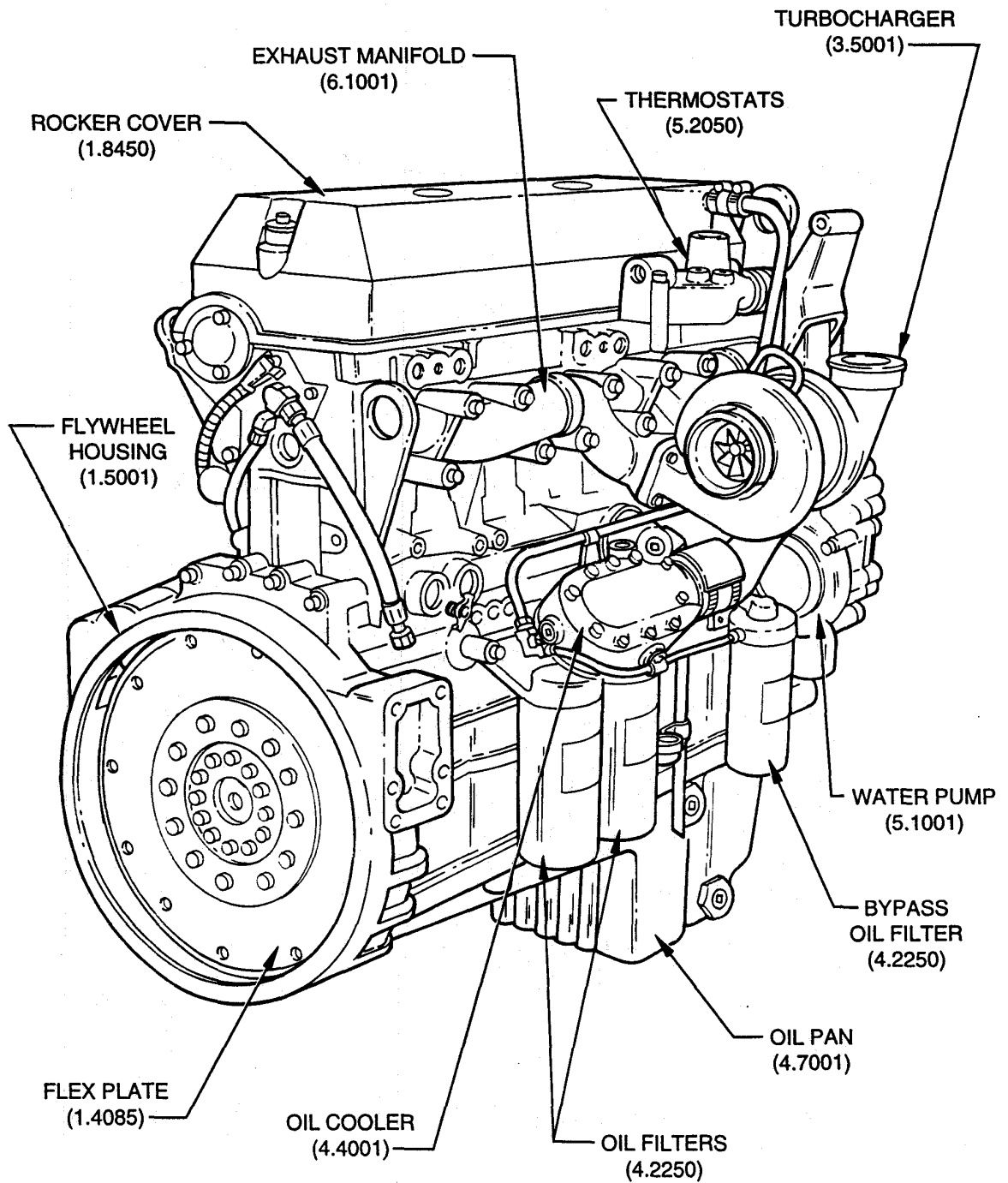
PART NAME	GROUP NO.	PART NAME	GROUP NO.
I			
ISOLATOR, ROCKER COVER BOLT	1. 8461		
J			
JACOBS BRAKE CYLINDER	1. 8070		
K			
KIT, COOLANT LEVEL SENSOR	2. 1670		
KIT, CYLINDER LINER AND SEALS	1. 6181		
KIT, JACOBS BRAKE FIELD RETROFIT	1. 8073		
KIT, REPOWER CONNECTOR AND TERMINAL	2. 1755		
KITS, SERVICE (ALL)	12.8715		
L			
LOCK, EXHAUST VALVE SPRING	1. 8370		
LOCKRING, ACCESSORY DRIVE	1. 7650		
LUBRICATING COMPOUND THREAD	12.8110		
M			
MANIFOLD, EXHAUST	6. 1001		
MODULE ASSY., ELECTRONIC CONTROL (ECM)	2. 1501		
MODULE, ELECTRONIC DISTRIBUTOR UNIT (EDU)	2. 1510		
MOTOR ASSY., STARTING	7. 3001		
O			
OIL COOLER	4. 4000A		
OIL DISTRIBUTION SYSTEM	4. 1000B		
OIL FILLER	4. 5000A		
OIL FILTER	4. 2000A		
OIL FILTER LINES	4. 3000A		
OIL PAN	4. 7000A		
OIL PRESSURE REGULATOR	4. 1000C		
OIL PUMP	4. 1000A		
OVERHAUL KIT, FUEL PUMP	2. 2004		
OVERHAUL KIT, OIL PUMP	4. 1003		
P			
PAINT, ENGINE TOUCH-UP	12.8001		
PAN, OIL	4. 7001		
PIN, ALIGNMENT	2. 2012		
PIN, PISTON	1. 6140		
PIPE ASSY, BREATHER	4. 8001		
PIPE, OIL PUMP INLET	4. 1510		
PIPE, OIL PUMP OUTLET	4. 1580		
PISTON KIT	1. 6110		
PLATE ASSY., ELECTRONIC DISTRIBUTOR UNIT COLD	2. 1520		
PLATE, CAM AND BALANCE SHAFT THRUST	1. 7070		
PLATE, FLYWHEEL FLEXIBLE COUPLING	1. 4085		
PLUG, FUEL PUMP VALVE	2. 2170		
PLUG, OIL COOLER BYPASS VALVE	4. 4160		
PLUG, OIL PAN DRAIN	4. 7080		
P			
PROM AND CARRIER ASSY., ELECTRONIC CONTROL	2. 1505		
PULLEY AND HUB ASSY., FAN	5. 4015		
PULLEY, ACCESSORY DRIVE	1. 7605		
PULLEY, CRANKSHAFT	1. 3280		
PUMP ASSY., FRESH WATER	5. 1001		
PUMP ASSY., FUEL	2. 2001		
PUMP ASSY., OIL	4. 1001		
R			
RECONDITIONING KIT, FRESH WATER PUMP	5. 1002		
REGULATOR, OIL PRESSURE	4. 1670		
RELIEF, VALVE OIL PRESSURE	4. 1671		
REPAIR KIT, CONNECTOR AND SEAL HARNESS	2. 1758		
REPAIR KIT, HARNESS TERMINAL	2. 1757		
RETAINER, BREATHER PAD	4. 8065		
RETAINER, CAMSHAFT AND ACCESSORY GEAR	1. 7240		
RETAINER, FRESH WATER PUMP BEARING AND SEAL	5. 1071		
RING SET, PISTON	1. 6115		
RING, INJECTOR HOLE TUBE SEAL	1. 2046		
RING, INJECTOR SEAL	2. 1040		
RING, PISTON COMPRESSION	1. 6120		
RING, PISTON OIL CONTROL	1. 6130		
ROCKER COVER	1. 8000A		
ROD, PUSH	1. 8180		
ROTATOR, VALVE	1. 8365		
S			
SCREW, ROCKER ARM ADJUSTING	1. 8135		
SEAL, ACCESSORY DRIVE OIL	1. 7660		
SEAL, CAMSHAFT THRUST PLATE	1. 7075		
SEAL, CRANKSHAFT OIL	1. 5004		
SEAL, CRANKSHAFT OIL FRONT	1. 3166		
SEAL, CRANKSHAFT OIL-FRONT	1. 3040		
SEAL, CRANKSHAFT OIL-REAR	1. 3060		
SEAL, CYLINDER LINER	1. 6190		
SEAL, FAN SPINDLE	5. 4160		
SEAL, FRESH WATER PUMP	5. 1130		
SEAL, FUEL PUMP OIL	2. 2070		
SEAL, THERMOSTAT	5. 2060		
SEALANT, RTV	12.8255		
SEAT, EXHAUST VALVE SPRING	1. 8360		
SEAT, OIL PRESSURE REGULATOR	4. 1701		
SENSOR, AIR INTAKE	3. 3810		
SENSOR, COOLANT LEVEL	2. 1665		
SENSOR, MAG. CRANKSHAFT	2. 1620		
SENSOR, MAG. IDLER	2. 1610		
SENSOR, OIL AND AIR TEMPERATURE	2. 1630		
SENSOR, OIL PRESSURE	2. 1600		
SERVICE KIT, INJECTOR	2. 1002		
SERVICE KITS AND SETS	12.8000C		
SETS, SERVICE (ALL)	12.8720		
SHAFT AND GEAR ASSY., OIL PUMP DRIVE	4. 1065		
SHAFT AND GEAR ASSY., OIL PUMP DRIVEN	4. 1075		
SHAFT ASSY., FRESH WATER PUMP	5. 1050		
SHAFT ASSY., ROCKER	1. 8160		
SHAFT, ACCESSORY DRIVE	1. 7640		
SHAFT, AIR COMPRESSOR DRIVE	12.4047		

ALPHABETICAL INDEX

PART NAME	GROUP NO.	PART NAME	GROUP NO.
S			
SHAFT, FUEL PUMP DRIVE	.2. 2093	THERMOSTAT, LUBE OIL	.4. 2288
SHAFT, FUEL PUMP DRIVEN	.2. 2089	TUBE, AIR COMPRESSOR BOOSTER	.12.4375
SHAFT, TACHOMETER DRIVE	.7. 4435	TUBE, AIR COMPRESSOR LUBE OIL SUPPLY	.12.4065
SHELL, BREATHER	.4. 8055	TUBE, AIR COMPRESSOR WATER INLET	.12.4085
SHELL, CONNECTING ROD BEARING	.1. 6100	TUBE, AIR COMPRESSOR WATER OUTLET	.12.4090
SHELL, CRANKSHAFT MAIN BEARING	.1. 3090	TUBE, INJECTOR HOLE	.1. 2045
SHIELDING, FLEXIBLE HOSE	.2. 5255	TUBE, OIL FILLER	.4. 5001
SHIM, OIL PUMP	.4. 1030	TUBE, OIL FILTER INLET	.4. 3001
SLEEVE, CRANKSHAFT OIL SEAL	.1. 3167	TUBE, OIL FILTER OUTLET	.4. 3020
SLEEVE, CRANKSHAFT REAR OIL SEAL	.1. 3066	TUBE, TURBOCHARGER OIL RETURN	.3. 5505
SLEEVE, CRANKSHAFT REAR OIL SEAL	.1. 5012	TUBE, TURBOCHARGER OIL SUPPLY	.3. 5500
SPACER, IDLER GEAR BEARING	.1. 7226	TUBE, WATER BYPASS	.5. 2160
SPACER, PULLEY	.5. 4018	TUBE, WATER PUMP TO OIL COOLER	.5. 3400
SPACER, ROCKER SHAFT	.1. 8173	TURBOCHARGER	.3. 5000A
SPACER, VIBRATION DAMPER	.1. 3275	TURBOCHARGER	.3. 5001
SPINDLE ASSY., FAN DRIVE	.5. 4102	V	
SPRING, EXHAUST VALVE	.1. 8340	VALVE AND INJECTOR OPERATING MECHANISM	.1. 8000
SPRING, FUEL PUMP VALVE RETAINING	.2. 2160	VALVE ASSY., FUEL PUMP	.2. 2130
SPRING, OIL COOLER BYPASS VALVE	.4. 4150	VALVE, EXHAUST	.1. 8310
SPRING, OIL FILTER BYPASS VALVE	.4. 2486	VALVE, FUEL SUPPLY CHECK	.2. 5006
SPRING, OIL PRESSURE REGULATOR	.4. 1690	VALVE, INTAKE	.1. 8315
STARTING MOTOR	.7. 3000A	VALVE, OIL COOLER BYPASS	.4. 4140
STRAINER, AIR COMPRESSOR ON COMPRESSOR	.12.4300	VALVE, OIL FILTER BYPASS	.4. 2485
STRAINER, OIL FILLER TUBE	.4. 5020	VALVE, OIL PRESSURE REGULATOR	.4. 1700
STRAP, GENERATOR ADJUSTING	.7. 1580	VENTILATING SYSTEM	.4. 8000A
STUD, EXHAUST MANIFOLD TO TURBOCHARGER	.6. 1022	VIBRATION DAMPER	.1. 3000B
SUPPLIES	.12.8000A	W	
SUPPORT, ENGINE FRONT	.11.1070	WASHER, CRANKSHAFT MAIN BEARING THRUST	.1. 3100
SUPPORT, FAN MOUNTING	.5. 4025	WATER BYPASS TUBE	.5. 2000C
SUPPORT, OIL FILTER MOUNTING	.4. 2470	WATER CONNECTIONS	.5. 3000B
T			
TACHOMETER DRIVE	.7. 4000B	WATER FILTER	.5. 7000A
THERMOSTAT	.5. 2000B		
THERMOSTAT ASSY.	.5. 2050		



TYPICAL SERIES 60 ENGINE



TYPICAL SERIES 60 ENGINE

DETROIT DIESEL
CUSTOM PARTS CATALOG 02/03/98
06R0392220

PART #	NAME AND DESCRIPTION	QUANTITY
--------	----------------------	----------

1.1000 - CYLINDER BLOCK

BLOCK, CYLINDER

FOR COMPONENTS OF CYLINDER BLOCK ASSEMBLY REFER TO ASSEMBLY BREAKDOWN PAGE A1

23517417	BLOCK ASSY. (ADAPTORLESS AIR COMP)	1
BLOCK, CYLINDER		
23511572	PLUG, 1/2" NPTF SQ. SOC. (12.9550)	2
5139988	PLUG, CUP 1" DIA. STNLS.	2
5139991	PLUG, 1-1/2" CUP (1.1001)	5
5151272	PLUG, 11/32" SPECIAL (1.8160)	1
8922327	PLUG, 1/4" NPTF (12.9550)	2
8924517	PLUG, 3/8"-18 SQ. SOC. VIBRA SEAL (12.9550)	3
8929015	DOWEL PIN, 16 MM., CIRCULAR (1.1001)	1
8929022	DOWEL PIN 16 MM., DIAMOND (1.1001)	2
8929124	BOLT, M20 X 178.0	14
8929125	WASHER, SPECIAL	14
8929152	PIN, DOWEL 20.0 MM CIRCULAR	1
8929153	PIN, DOWEL 20.0 MM DIAMOND	1
8929276	CAP, MAIN BEARING (UNSLOTTED)	7
8929432	PLUG, WEEP HOLE (SPECIAL)	6
8929594	PLUG, 3/8"-18 DIA. PIPE EXT. HEX. SOC.	1
23516104	PLUG PIPE 1/4-18 HEX HD STL CTD RED	1
8922327	PLUG, 1/4" NPTF (12.9550)	4
8929432	PLUG, WEEP HOLE (SPECIAL)	6
23509239	STUD. M12X1.75X34.0	1
8929015	DOWEL PIN, 16 MM., CIRCULAR (1.1001)	1
8929022	DOWEL PIN 16 MM., DIAMOND (1.1001)	2
8929152	PIN, DOWEL 20.0 MM CIRCULAR	1
8929153	PIN, DOWEL 20.0 MM DIAMOND	1

GASKET KIT, ENGINE OVERHAUL

A GASKET KIT CONSISTS OF THE NECESSARY GASKETS FOR ONE COMPLETE ENGINE OVERHAUL.

23512691	GASKET KIT W/SQUARE RING SEALS	AR
----------	--------------------------------	----

1.2000 - CYLINDER HEAD

HEAD ASSY., CYLINDER

FOR COMPONENTS OF CYLINDER HEAD ASSEMBLIES REFER TO ASSEMBLY BREAKDOWN PAGE A1.

R23511218	*	HEAD ASSY.S-60 (REMANUFACTURED)W/CODE U EXH VLV	AR
R23512449	+	HEAD ASSY.S-60 (REMANUFACTURED)W/CODE H EXH VLV	AR
8929872		HEAD ASSY. (4 VALVE) (SIAMESE PORT)	1
HEAD ASSY., CYLINDER			
23513197		PLUG, 3/8"-18 PIPE SQ SOC COATED	2
5109157		PLUG, 1-1/4" CUP (5.5001)	11
5138638		DOWEL, .626"X.37" HOLLOW (4.1040)	7
5139991		PLUG, 1-1/2" CUP (1.1001)	2
8923313		PLUG, 3/4" PIPE (12.9550)	2
8923916		PLUG, 1/2" PIPE (12.9550)	2
23511574		PLUG, 1" PIPE SQ. SOC. SCOTCHGRIP	1
8926993		PLUG, FUSE (1/4"-18 RECESSED SOC. HD.)	1
8929126		INSERT, (EXHAUST) (STD) (6.261MM-6.363MM)	12
8929127		INSERT, (INTAKE) (STD) (7.155MM-7.257MM)	12
8929129		BOLT, M12 X 1.75 X 65	7
8929625		INSERT, (INTAKE) (.010" U.S.) (6.901MM-7.003MM)	AR
8929626		INSERT, (INTAKE) (.020" U.S.) (6.647MM-6.749MM)	AR
8929627		INSERT, (INTAKE) (.030" U.S.) (6.393MM-6.495MM)	AR
8929628		INSERT, (EXHAUST) (.010" U.S.) (6.007MM-6.109MM)	AR
8929629		INSERT, (EXHAUST) (.020" U.S.) (5.753MM-5.855MM)	AR
8929630		INSERT, (EXHAUST) (.030 U.S.) (5.499MM-5.601MM)	AR
8929631		GUIDE, (14.30MM-14.32MM DIA.)	24
8929738		CAP, CAMSHAFT BEARING, FRONT (IDENTIFICATION-NO. 1)	1
8929739		CAP, CAMSHAFT BEARING, REAR (IDENTIFICATION-NO. 7)	1
8929843		DOWEL, CAMSHAFT DRIVE (1.7004)	3
8929870		CAP, CAMSHAFT BEARING, INTERMEDIATE (1.7042)	4
8929871		CAP, CAMSHAFT BEARING, CENTER (IDENTIFICATION-NO.	1
TUBE, INJECTOR HOLE			
23501580		TUBE KIT (INCLUDES SEAL RING IN 1.2046)	6
RING, INJECTOR HOLE TUBE SEAL			
23515470		SEAL RING INJ TUBE GREEN FLUOROCARBON	6

DETROIT DIESEL
CUSTOM PARTS CATALOG 02/03/88
06R0392220

PART #	NAME AND DESCRIPTION	QUANTITY
1.2000 - CYLINDER HEAD		
8929123	BOLT, M16 X 2 X 175 (12.9005)	38
8929328	WASHER, 16.8" X 25.8" (12.9190)	38
* THRU UNITS 6R37023 WITH 8929590 EXHAUST VALVES.		
+ EFFECTIVE WITH UNITS 6R37024 WITH 23506350 EXHAUST VALVES.		
GASKET KIT, CYLINDER HEAD OVERHAUL		
GASKET KIT CONSISTS OF ALL GASKETS NECESSARY TO REPLACE ONE CYLINDER HEAD.		
23501572	GASKET KIT	AR
GASKET, CYLINDER HEAD COMPRESSION		
23518340	GASKET CYL HEAD	1
1.2000A - ENGINE, LIFTER BRACKET		
BRACKET, ENGINE LIFTER-FRONT		
8929754	BRACKET (ITEM 1)	1
11509530	BOLT, M14 X 2.0 X 40 MM	2
BRACKET, ENGINE LIFTER - REAR		
8929408	BRACKET (ITEM 2)	1
23518652	BRACKET ENG LFTR RR LB HD PLATED S60	1
11509528	BOLT, M12 X 1.75 X 30 MM	5
1.3000 - CRANKSHAFT, OIL SEALS AND STABILIZERS		
CRANKSHAFT ASSY.		
NEW CRANKSHAFTS FOR WIDER CONN ROD BEARINGS AND CONN ROD ASSYS. MUST BE USED TOGETHER TO ENSURE INTERCHANGEABILITY.		
23515598	CRANKSHAFT, 6 HOLE 12.7L (ACCOMMODATE WIDER CONN ROD BEARINGS)	1
KIT, LOWER ENGINE BEARINGS AND GASKETS		
23519904	LOWER ENGINE BEARING AND GASKET 47MM	AR
23519905	LOWER ENGINE BEARING AND GASKET 47MM .010US	AR
23519906	LOWER ENGINE BEARING AND GASKET 47MM .020US	AR
SEAL, CRANKSHAFT OIL-FRONT		
NOTE		AR
	SEAL (REFER TO 1.3166 IN 1.3000A)	
SEAL, CRANKSHAFT OIL-REAR		
NOTE		AR
	SEAL (REFER TO 1.5004 IN 1.5000A)	
SLEEVE, CRANKSHAFT REAR OIL SEAL		
NOTE		AR
	SLEEVE (REFER TO 1.5012 IN 1.5000A)	
SHELL, CRANKSHAFT MAIN BEARING		
A SHELL SET CONSISTS OF ONE UPPER AND ONE LOWER BEARING SHELL.		
8929670	SHELL SET, STANDARD (MAIN)	6
8929671	SHELL SET, .254MM UNDER SIZE (MAIN)	AR
8929672	SHELL SET, .508MM UNDER SIZE (MAIN)	AR
8929673	SHELL SET, .762MM UNDER SIZE (MAIN)	AR
8929680	SHELL SET, STANDARD (THRUST)	1
8929681	SHELL SET, .254MM UNDERSIZE (THRUST)	AR
8929682	SHELL SET, .508MM UNDERSIZE (THRUST)	AR
8929683	SHELL SET, .762MM UNDERSIZE (THRUST)	AR
WASHER, CRANKSHAFT MAIN BEARING THRUST		
8929085	WASHER, (UPPER THRUST ONLY)	2
8929697	WASHER, .127MM O.S.	AR
8929698	WASHER, .254MM O.S.	AR
CAP, CRANKSHAFT MAIN BEARING		
8929276	CAP, MAIN BEARING (UNSLOTTED)	7
BOLT, CRANKSHAFT MAIN BEARING CAP		
8929124	BOLT, M20 X 178.0	14

DETROIT DIESEL
CUSTOM PARTS CATALOG 02/03/98
06R0392220

PART #	NAME AND DESCRIPTION	QUANTITY
1.3000 - CRANKSHAFT, OIL SEALS AND STABILIZERS		
8929125	WASHER, SPECIAL	14
GEAR, CRANKSHAFT TIMING		
23513537	WHEEL, TIMING RING (2.3145)	1
8929497	GEAR, RH, 82T, 133.6MM I.D. 12.7L	1
8929808	KEY, .25"X1.375" (12.9350)	1
1.3000A - CRANKSHAFT FRONT COVER		
HOUSING ASSY., GEAR CASE		
23505875	HOUSING ASSY., REAR MOUNT WATER PUMP (INCLUDES 8929333 BOLTS & DOWEL PINS IN 1.3156)	1
8929760	SUPPORT (1.3160)	1
8929015	DOWEL PIN, 16 MM., CIRCULAR (1.1001)	1
8929022	DOWEL PIN 16 MM., DIAMOND (1.1001)	1
8929740	SEAL, RING .134X.074X.480 I.D.)	1
23505062	BOLT, M10 X 1.5 X 40 (12.9001)	9
11503454	BOLT, M10 X 1.5 X 20.0	2
11505299	BOLT, M10 X 1.5 X 30.0 MM	4
11513811	BOLT, M12 X 1.75 X 20 MM	1
181333	BOLT, 5/16"-24 X .625"	1
8929333	BOLT, M12 X 1.75 X 65 (SPECIAL)	3
5155596	WASHER, 21/64" SPECIAL COPPER (4.7120)	1
5180370	WASHER, .55" I.D. COPPER (7.4969)	1
COVER, GEAR CASE		
23505876	COVER, FRONT	1
11504986	BOLT, M8 X 1.25 X 14 MM	2
5141452	SEAL, RING (3.4143)	1
8924517	PLUG, 3/8"-18 SQ. SOC. VIBRA SEAL (12.9550)	1
11509523	BOLT, M10 X 1.5 X 55 MM	14
11509525	BOLT, M10 X 1.5 X 110 MM	4
23507422	GUARD, BOLT V18 DMPR & FRT CVR	1
SEAL, CRANKSHAFT OIL FRONT		
23518355	SEAL FRONT CR/SHAFT CR UNITIZED WARPAROUND	1
COVER, ENGINE FRONT ACCESSORY DRIVE		
23517382	COVER ACSRY FRONT 6 HOLE	1
8929099	COVER, FRONT ACCESSORY	2
11504822	BOLT, M8 X 1.25 X 30	11
GASKET, ENGINE FRONT ACCESSORY DRIVE		
8929299	GASKET, ACCESSORY FRONT	2
8929130	GASKET, UPPER RIGHT REAR & FRONT CAM ACCESS.	1
1.3000B - VIBRATION DAMPER		
DAMPER, VIBRATION		
8929502	DAMPER, 11L & 12.7L	1
SPACER, VIBRATION DAMPER		
8929527	* SPACER	1
5133981	WASHER, 19/32" (1.1001)	6
8929222	BOLT, 9/16"-18 X 2 1/2"	6
* USE SPACER WHEN CRANKSHAFT PULLEY IS NOT REQUIRED.		
1.3000C - CRANKSHAFT PULLEY		
PULLEY, CRANKSHAFT		
8929077	PULLEY, .188 MM O.D., 4 GROOVE (ITEM 3)	1
8929222	BOLT, 9/16"-18 X 2 1/2"	6
5133981	WASHER, 19/32" (1.1001)	6
ADAPTOR KIT, POWER TAKE OFF		
NOTE: ITEMS IN THIS SECTION MARKED * INDICATE COMPONENTS OF KIT 23504440. !		
NOTE: ITEMS IN THIS SECTION MARKED & INDICATE COMPONENTS OF KIT 23504441.		
23504440	ADAPTOR KIT, FRT MOUNTED PTO (SPICER 1310 SERIES)	AR
23504441	ADAPTOR KIT, FRT MOUNTED PTO (SPICER 1350 SERIES)	AR
23504106	PULLEY ASSY., C/S FRT (4 GROOVE, 188.0MM DIA.)	1

DETROIT DIESEL
CUSTOM PARTS CATALOG 02/03/98
06R0392220

PART #	NAME AND DESCRIPTION	QUANTITY
1.3000C - CRANKSHAFT PULLEY		
ADAPTOR KIT, POWER TAKE OFF		
8920172	DOWEL, CAMSHAFT (1.7200)	1
8920172	DOWEL, CAMSHAFT (1.7200)	1
23504108	HUB ASSY., C/S FRT (SPICER 1350 SERIES)	1
23504122	HUB ASSY., C/S FRT (SPICER 1310 SERIES)	1
145643	BALL, STEEL 3/8"	6
5103522	INSULATOR ASSY.	1
23504112	RETAINER, C/S PULLEY	1
23501274	BOLT, 1"-14X3.50" L	1
8929222	BOLT, 9/16"-18 X 2 1/2"	6
5133981	WASHER, 19/32" (1.1001)	6
1.4000A - FLYWHEEL		
FLYWHEEL ASSY.		
INCLUDES GEAR IN 1.4010. "C" INDICATES A CHAMFERED ASSY.		
23514751	FLYWHEEL ASSY, SAE1 TYPE 1, GMHD & 1.76	1
5100532	PLATE, SCUFF (BEARING RETAINER)	1
9410925	BOLT, 9/16"-18 X 2 1/4" (12.9001)	12
GEAR, FLYWHEEL RING		
5184773	GEAR, SAE #1, 118 TEETH, UNCHAMFERED	1
1.5000A - FLYWHEEL HOUSING		
HOUSING ASSY., FLYWHEEL		
23505124	HOUSING (SAE #1; 8 BOLT MT PAD)	1
HOUSING ASSY., FLYWHEEL		
23514442	PIPE PLUG 1 1/4 7/8 TPR SQ SOCHD	1
5106899	PLUG, 3/4"-16	1
23511574	PLUG, 1" PIPE SQ. SOC. SCOTCHGRIP	1
11500945	BOLT, M12 X 1.75 X 45.0	8
11500950	BOLT, M12 X 1.75 X 90.0	4
23509483	WASHER, 33/64"X1 1/16"X1/8"	12
SEAL, CRANKSHAFT OIL		
23516969	SEAL & SLEV ASM RR CR/SHF TEFLON LIP	1
1.6000 - CONNECTING ROD AND PISTON		
CONNECTING ROD ASSY.		
QUANTITIES SHOWN ARE PER CYLINDER. A CROSSHEAD ROD ASSY. INCLUDES A CAP. WHICH IS NOT SOLD SEPARATELY, AND ONLY THOSE ITEMS IN 1.6001.		
NEW CRANKSHAFTS FOR WIDER CONN ROD BEARINGS AND CONN ROD ASSYS. MUST BE USED TOGETHER TO ENSURE INTERCHANGEABILITY.		
23515593	ROD ASSY., 15:1 12.7L (WIDER BEARING SURFACE)	1
8929355	BOLT, MJ14 X 1.5 X 108	2
8929019	NUT, MJ14X1.5	2
KIT, CONNECTING ROD BEARING AND GASKET		
23521522	KIT CONN ROD BRG (STD) AND GASKETS S60 47MM (W/WIDER CONN ROD BEARINGS)	AR
SHELL, CONNECTING ROD BEARING		
A SHELL SET CONSISTS OF ONE (1) UPPER AND ONE (1) LOWER BEARING SHELL. NEW CRANKSHAFTS FOR WIDER CONN ROD BEARINGS AND CONN ROD ASSYS. MUST BE USED TOGETHER TO ENSURE INTERCHANGEABILITY.		
23515581	SHELL SET, STD. (WIDER BEARINGS)	1
23515582	SHELL SET, .254 MM U.S. (WIDER BEARINGS)	AR
23515583	SHELL SET, .508 MM U.S. (WIDER BEARINGS)	AR
23515584	SHELL SET, .762 MM U.S. (WIDER BEARINGS)	AR
PISTON KIT		
A PISTON KIT INCLUDES PISTON ASSY., 3 PC. BUSHING, SKIRT AND PIN IN 1.6140. QUANTITIES SHOWN ARE PER CYLINDER.		
23519646	PISTON KIT, LRG OD DOME & SKIRT 2.5MM RG	1
RING SET, PISTON		
RING SET CONSISTS OF SUFFICIENT RINGS FOR ONE (1) PISTON.		
23503747	RING SET, W/KEYSTONE COMPRESSION RINGS (2.5MM TOP)	1

DETROIT DIESEL
CUSTOM PARTS CATALOG 02/03/98
06R0392220

PART #	NAME AND DESCRIPTION	QUANTITY
1.6000 - CONNECTING ROD AND PISTON		
RING, PISTON COMPRESSION		
8929844	RING, TOP (2.5 MM KEYSTONE)	1
8929845	RING, BOTTOM (KEYSTONE)	1
RING, PISTON OIL CONTROL		
23515500	RING PSTN OIL CONT CR/HD	1
23515499	EXPANDER	1
PIN, PISTON		
8929087	PIN	1
8929337	BOLT, M14 X 1.5 X 60 12 PT.	2
8929504	SPACER	2
BEARING, PISTON PIN.		
KIT INCLUDES (1) TOP BEARING AND (2) EAR BEARINGS WHICH ARE NOT SERVICED SEPARATELY.		
23519723	KIT BEARING	1
KIT, CYLINDER LINER AND SEALS		
KIT INCLUDES NOT SERVICED SEPARATELY LINER AND SEALS IN 1.6190		
23514285	KIT, CYL. LINER AND SEALS (TLC)	1
CYLINDER KIT		
A KIT INCLUDES ITEMS IN 1.6110, 1.6115, 1.6140 AND 1.6181.		
23519647	CYLINDER KIT PTS STD LNR LRG OD DOME 2.5MM	1
SEAL, CYLINDER LINER		
8929013	SEAL, CREVICE	1
1.7000 - CAMSHAFT AND GEAR TRAIN		
CAMSHAFT ASSY.		
A CAMSHAFT ASSY. INCLUDES DOWEL IN 1.7001.		
R23513564	REMANUFACTURED 23513564	AR
23513564	CAMSHAFT ASSY. 12L	1
8920172	DOWEL, CAMSHAFT (1.7200)	1
COVER, CAMSHAFT BEARING CAP		
23514716	COVER RR CAMSHF S60	1
11509511	BOLT, M8 X 1.25 X 20 MM	3
BEARING, CAMSHAFT		
A BEARING SET CONSISTS OF ONE UPPER AND ONE LOWER BEARING SHELL.		
8929690	BEARING SET (STD.)	7
8929691	BEARING SET, .254 MM O.S.	AR
8929692	BEARING SET, .508 MM O.S.	AR
8929693	BEARING SET, .762 MM O.S.	AR
CAP, CAMSHAFT BEARING		
8929738	CAP, CAMSHAFT BEARING, FRONT (IDENTIFICATION-NO. 1)	1
8929870	CAP, CAMSHAFT BEARING, INTERMEDIATE (1.7042)	4
8929871	CAP, CAMSHAFT BEARING, CENTER (IDENTIFICATION-NO. 1)	1
8929739	CAP, CAMSHAFT BEARING, REAR (IDENTIFICATION-NO. 7)	1
8929740	SEAL, RING .134X.074X.480 I.D.	2
5138638	DOWEL, .626"X.37" HOLLOW (4.1040)	7
* FIG. 1 OF 1.2000.		
BOLT, CAMSHAFT BEARING CAP		
8929129	BOLT, M12 X 1.75 X 65	7
PLATE, CAM AND BALANCE SHAFT THRUST		
23521892	PLATE, CAM THRUST 3 BOLT	1
11504822	BOLT, M8 X 1.25 X 30	3
SEAL, CAMSHAFT THRUST PLATE		
23521894	SEAL, CAM THRUST PLATE TO CYL HD 3 BOLT	1
8929318	SEAL (GEAR HOUSING)	1
GEAR, CAMSHAFT AND BALANCE SHAFT		
8929379	GEAR 111T	1

DETROIT DIESEL
CUSTOM PARTS CATALOG 02/03/98
06R0392220

PART #	NAME AND DESCRIPTION	QUANTITY
1.7000 - CAMSHAFT AND GEAR TRAIN		
HUB, CAMSHAFT GEAR		
8929810	KEY, NON ROCK (12.9350)	1
8929492	HUB	1
23504851	BOLT, M18 X 1.5 X 100 (12.9001)	1
GEAR ASSY., IDLER		
A GEAR AND HUB ASSY. IS SERVICED AS A COMPLETE ASSY. ONLY.		
23513559	GEAR AND HUB ASSY., BULL ACCSY. & CAMSHF DDEC III	1
8929448	BOLT, M12 X 1.75 X 35	4
GEAR ASSY., ADJUSTABLE CAMSHAFT IDLER		
8929322	GEAR ASSY. (INCLUDES BUSHING WHICH IS NOT SERVICED SEPARATELY)	1
HUB, ADJUSTABLE IDLER GEAR		
8929111	HUB	1
11509607	NUT, M12 X 1.75	3
8929336	PLATE, ADJUSTMENT	1
1.7000B - ACCESSORY DRIVE		
DRIVE ASSY., ACCESSORY		
23512830	COVER (1.3191)	1
23512877	GASKET, COVER (1.3192)	1
11504822	BOLT, M8 X 1.25 X 30	5
1.8000 - VALVE AND INJECTOR OPERATING MECHANISM		
HARNESS ASSY., INJECTOR		
23513557	HARNESS EDU TO INJ JAKE BRK	1
ARM ASSY., EXHAUST VALVE ROCKER		
ARM ASSY. INCLUDES BUSHINGS, PINS AND ROLLER ASSY. COMPONENTS NOT SERVICED SEPARATELY.		
8929550	ARM ASSY., EXHAUST	6
R8929550	REMANUFACTURED 8929550	AR
9421740	PLUG, CUP 3/16" (12.9320)	12
ARM ASSY., INTAKE VALVE ROCKER		
ARM ASSY. INCLUDES BUSHINGS, PINS AND ROLLER ASSY. COMPONENTS NOT SERVICED SEPARATELY.		
8929544	ARM ASSY., INTAKE	6
R8929544	REMANUFACTURED 8929544	AR
ARM ASSY., INJECTOR ROCKER		
ARM ASSY. INCLUDES BUSHINGS, PINS AND ROLLER ASSY. COMPONENTS NOT SERVICED SEPARATELY.		
R23513939	REMANUFACTURED 23513939	AR
23513939	ARM ASSY., INJ RKR CER RLR HONED BUSHING	6
SCREW, ROCKER ARM ADJUSTING		
23505056	KIT, VLV. ADJ SCREW INJ & INTAKE ARMS (INCLUDES IT EMS IN 1.8135 MARKED "*" AT A QTY. OF 1)	AR
8929646	KIT, VLV ADJ. SCREW EXH ARMS (INCLUDES ITEMS IN 1. 8135 MARKED "=" AT A QTY.OF 1)	AR
23517283	BUTTON, VALVE S50/60	30
8929607	SCREW, W/3/16" INTERNAL SOCKET END	18
8929751	SCREW, W/9/32" EXTERNAL SOCKET END	12
23514371	NUT, 3/8"-24 HEX JAM	30
8929494	RETAINER (1.8090)	30
SHAFT ASSY., ROCKER		
23513530	SHAFT ASSY., LUBRITED (INCLUDES PLUG)	2
8929588	STUD, M12 X 1.75 X 123.0 (1.8170)	2
8929740	SEAL, RING .134X.074X.480 I.D.	2
9421745	PLUG, CUP 1/2" (12.9330)	2
8929587	BOLT, M12 X 1.75 X 110.0 (1.7046)	6
23500708	NUT, M12 X 1.75	2
SPACER, ROCKER SHAFT		

DETROIT DIESEL
CUSTOM PARTS CATALOG 02/03/98
06R0392220

PART #	NAME AND DESCRIPTION	QUANTITY
1.8000 - VALVE AND INJECTOR OPERATING MECHANISM		
8929586	SPACER (01.8170)	8
VALVE, EXHAUST 23507504	VALVE KIT (IDENTIFICATION-H) (INCLUDES SEAL IN 1.8320 AND LOCK IN 1.8370)	12
VALVE, INTAKE 23501576	VALVE KIT (INCLUDES SEAL IN 1.8320 AND LOCK IN 1.8370)	12
GUIDE, EXHAUST VALVE 8929631	GUIDE, (14.30MM-14.32MM DIA.)	24
8929072	SEAL	24
8929633	GUIDE (14.43MM-14.45MM DIA.)	AR
INSERT, EXHAUST VALVE		
8929127	INSERT, (INTAKE) (STD) (7.155MM-7.257MM)	12
8929625	INSERT, (INTAKE) (.010" U.S.) (6.901MM-7.003MM)	AR
8929126	INSERT, (EXHAUST) (STD) (6.261MM-6.363MM)	12
8929626	INSERT, (INTAKE) (.020" U.S.) (6.647MM-6.749MM)	AR
8929627	INSERT, (INTAKE) (.030" U.S.) (6.393MM-6.495MM)	AR
8929628	INSERT, (EXHAUST) (.010" U.S.) (6.007MM-6.109MM)	AR
8929629	INSERT, (EXHAUST) (.020" U.S.) (5.753MM-5.855MM)	AR
8929630	INSERT, (EXHAUST) (.030 U.S.) (5.499MM-5.601MM)	AR
SPRING, EXHAUST VALVE 8929415	SPRING (YELLOW STRIPE)	24
SEAT, EXHAUST VALVE SPRING		
8929076	SEAT (2.2MM-2.4MM)	24
8929634	SEAT (2.45MM-2.65MM)	AR
8929635	SEAT (2.70MM-2.90MM)	AR
8929636	SEAT (2.95MM-3.15MM)	AR
ROTATOR, VALVE 8929105	ROTATOR	24
LOCK, EXHAUST VALVE SPRING 8929573	LOCK, KEY EXHAUST VALVE SPRING	48
1.8000A - ROCKER COVER		
COVER ASSY., ROCKER		
8929139	COVER (THERMOSET SHEET MOLDING COMPOUND)	1
23506062	PLUG	2
23505110	NAME PLATE SERIES 60	AR
GASKET, ROCKER COVER 23516322	GASKET-ROCKER COVER S60	1
BOLT, ROCKER COVER 23517913	BOLT M10 X 1.5 X 125.0	4
ISOLATOR, ROCKER COVER 23517912	BOLT ISOLATOR	4

DETROIT DIESEL
CUSTOM PARTS CATALOG 02/03/98
06R0392220

PART #	NAME AND DESCRIPTION	QUANTITY
2.1000B - INJECTOR CONTROLS ELECTRONIC		
23515649	PRO DRIVER DETROIT DIESEL SURFACE MT	AR
2.2000 - FUEL PUMP		
PUMP ASSY., FUEL		
SEE ASSEMBLY BREAKDOWN PAGE A1.		
23507409	PUMP ASSY., L.H. (GEAR CASE DRVN)	1
BODY, FUEL PUMP		
23506553	PLUG, STL 1/8-27	1
23511956	KIT, STATOR	AR
23511961	STATOR, FUEL PUMP	1
PIN, ALIGNMENT		
23500694	PIN, ALIGNMENT	2
COVER, FUEL PUMP		
23506551	SCREW	8
23506552	PLUG 3/8-18 PLASTIC F/PUMP BARNES S60	2
23506561	PLUG	1
23511955	KIT, FUEL PUMP COVER	AR
23511957	COVER, FUEL PUMP	1
8923535	PLUG 1/8-27 PLSTC SHPG BARNES F/PMP	2
GASKET, FUEL PUMP COVER		
23506547	GASKET, GOLD	AR
23506548	GASKET, SILVER	AR
23516117	GASKET, BLUE	AR
23516118	GASKET, AMBER	AR
BEARING, FUEL PUMP		
8923526	BEARING, FUEL PUMP	4
SEAL, FUEL PUMP OIL		
23512243	SEAL, OIL SGL LIP	2
GEAR, FUEL PUMP DRIVE		
23511959	GEAR (.275)	2
23511963	KEY, FUEL PUMP DRV. GEAR	1
8923522	RING, GEAR RETAINING	2
GEAR, FUEL PUMP DRIVEN		
8923521	PIN, DRIVEN GEAR	1
8923522	RING, GEAR RETAINING	2
SHAFT, FUEL PUMP DRIVEN		
A SHAFT ASSY. INCLUDES GEAR NOT SOLD SEPARATELY.		
23511960	SHAFT	1
SHAFT, FUEL PUMP DRIVE		
A SHAFT ASSY. INCLUDES ITEMS IN 2.2093.		
23511958	SHAFT, DRIVE	1
VALVE ASSY., FUEL PUMP		
23506560	SPACER, RELIEF VALVE	1
23506563	KIT, RELIEF VALVE (CONTAINS VALVE, SPACER AND PIN)	AR
23506564	PIN, SHEAR RELIEF VALVE	1
8923528	VALVE, FUEL PUMP	1
SPRING, FUEL PUMP VALVE RETAINING		
23506557	SPRING, RELIEF VALVE	1
PLUG, FUEL PUMP VALVE		
23506555	CAP, RELIEF VALVE	1
GASKET, FUEL PUMP VALVE PLUG		
23506556	SEAL, RELIEF VALVE	1
HUB, FUEL PUMP DRIVE GEAR		
23511964	COUPLING, FUEL PUMP	1
R23507409	REMANUFACTURED 23507409	AR
8929832	ELBOW, 90 DEG. 3/8 INV FLD TUBE 3/8 PIPE (12.9480)	2
23506222	BOLT, M8 X 1.25 X 20 (12.9001)	3
GASKET, FUEL PUMP TO ENGINE OR DRIVE ASSEMBLY		
5150193	GASKET (FUEL PUMP TO DRIVE ASSY.) (5.1010)	1
COUPLING, FUEL PUMP DRIVE		
8929479	COUPLING	1
DRIVE ASSY., FUEL PUMP		
SEE ASSEMBLY BREAKDOWN PAGE B1.		
8929253	SEAL, RING .139" X 4.609" I.D. (2.2280)	1
8929785	DRIVE ASSY.	1
DRIVE ASSY., FUEL PUMP		
23513205	ELBOW, 90 DEG. 3/8" FL TUBE 3/8" PIPE	1
8924175	ELBOW, 90 DEG. 3/8" STREET (12.9480)	1

DETROIT DIESEL
CUSTOM PARTS CATALOG 02/03/98
06R0392220

PART #	NAME AND DESCRIPTION	QUANTITY
2.2000 - FUEL PUMP		
COUPLING, FUEL PUMP DRIVE		
8929479	COUPLING	1
DRIVE ASSY., FUEL PUMP		
ASSEMBLIES ARE SHOWN FOR COMPONENT REFERENCE ONLY.		
11504822	BOLT, M8 X 1.25 X 30	5
8929253	SEAL, RING .139" X 4.609" I.D. (2.2280)	1
GEAR, FUEL PUMP DRIVE		
8929786	GEAR, 15.875 MM I.D.	1
9411502	RING, RETAINING (2.7470)	1
ADAPTOR, FUEL PUMP DRIVE		
8929474	ADAPTOR FUEL PUMP BRG SUPT S60	1
HUB, FUEL PUMP DRIVE GEAR		
8929787	HUB, 15.875 MM I.D.	1
11504822	BOLT, M8 X 1.25 X 30	5
2.3000A - FUEL FILTER AND STRAINER		
ELEMENT, FUEL STRAINER		
23518481	FILTER, FUEL PRIMARY	1
COVER, FUEL STRAINER		
5148023	COVER	1
8924517	PLUG, 3/8"-18 SQ. SOC. VIBRA SEAL (12.9550)	3
11505299	BOLT, M10 X 1.5 X 30.0 MM	2
FUEL/AIR SEPARATOR		
23515444	PRO-CHEK FUEL/AIR SEPARATOR SIDE MT	AR
23513543	PRO-CHEK FUEL/AIR SEPARATOR REAR MT	AR
23513542	INSTALLATION KIT FOR PRO-CHEK SIDE MT	AR
@ INCLUDES HOSES AND HARDWARE NECESSARY TO RETROFIT EXISTING ENGINES.		
ELEMENT, FUEL FILTER		
23518482	FILTER, FUEL SECONDARY	1
COVER, FUEL FILTER		
23517075	VALVE ASSY., FUEL SHUTOFF	1
5148171	COVER	1
23518092	SENSOR ASSY., OIL WATER FUEL & AIR TEMPERATURE	1
11505299	BOLT, M10 X 1.5 X 30.0 MM	2
SEPARATOR, FUEL WATER		
23514047	PROCESSOR ASSY., FUEL PRO 380 12V HEAT	AR
23515125	PROCESSOR ASSY., FUEL PRO 380 NO HEAT	AR
23516638	PROCESSOR ASSY., FUEL PRO 380 24V HEAT	AR
23514049	ELEMENT & GROMMET ASSY. 380 (USE W/23514051 KIT)	AR
23516639	KIT, FUEL PRO 380E NO HEAT W/O DIVERTER CAP (W/MOUNTING HARDWARE)	AR
23516640	KIT, FUEL PRO 380E 12V HEAT W/O DIVERTER CAP (W/MOUNTING HARDWARE)	AR
23516641	KIT, FUEL PRO 380E 24V HEAT W/O DIVERTER CAP (W/MOUNTING HARDWARE)	AR
2.5000A - FUEL LINES AND FUEL COOLER		
HOSE, FUEL PUMP INLET		
MBHH0165	HOSE ASSY., #8 X 16.5"L H&H	1
CLIP, STRAINER TO FUEL PUMP		
2362448	CLIP .688" DIA 3/8" BOLT CTD (12.8554)	1
HOSE, FUEL PUMP OUTLET TO FILTER		
BAHH0356	HOSE ASSY., #6 X 37.9 H&H	1
HOSE, FILTER TO CYLINDER HEAD		
MAHP0237	HOSE ASSY., #6 X 23.7 H&P	1
23513205	ELBOW, 90 DEG. 3/8" FL TUBE 3/8" PIPE	1
8929725	ELBOW, .80" RESTRICTION, 3/8" PIPE X5/16" (2.5210)	1
CLIP, CYLINDER HEAD INLET		
2236474	CLIP, #10	1
11504986	BOLT, M8 X 1.25 X 14 MM	1

DETROIT DIESEL
CUSTOM PARTS CATALOG 02/03/98
06R0392220

PART #	NAME AND DESCRIPTION	QUANTITY
2.5000A	- FUEL LINES AND FUEL COOLER	
VALVE, FUEL DRAIN CHECK 23516918	VALVE CHK FUEL 3/8 NPTF MALE	1
SHIELDING, FLEXIBLE HOSE 5101020	STRAP, NYLON (2.5255)	1

DETROIT DIESEL
CUSTOM PARTS CATALOG 02/03/98
06R0392220

PART #	NAME AND DESCRIPTION	QUANTITY
3.3000C - AIR INTAKE MANIFOLD		
AIR INTAKE MANIFOLD		
23517437	MANIFOLD AIR INT SETBACK 1/2 SC BOSS	1
8922327	PLUG, 1/4" NPTF (12.9550)	2
8923313	PLUG, 3/4" PIPE (12.9550)	1
11509799	BOLT, M10 X 1.5 X 70 MM	2
11509526	BOLT, M10 X 1.5 X 130 MM	4
23505051	BOLT M10 X 1.5 X 170 (12.9001)	1
GASKET, AIR INTAKE MANIFOLD		
23517875	GASKET AIR INT MFD STL RUB CTD S50/60	3
SENSOR, AIR INTAKE		
16070629	SENSOR, DDEC 2 & 3	1
5182977	RING, SEAL (3.3055)	1
11514146	BOLT, M5X.8X30.0 MM	2
3.5000A - TURBOCHARGER		
TURBOCHARGER		
23516431	TURB TMF55 1.34A/R SCROLL DWN HIMT12L	1
8929169	WASHER (12.9190)	4
11506101	NUT, M10 X 1.5	4
GASKET, TURBOCHARGER EXHAUST INLET CONNECTION		
23514035	SPACER-PLATE TURBO DINA S50	1
8929529	GASKET	2
TUBE, TURBOCHARGER OIL SUPPLY		
23515895	TUBE OIL SUPPLY SCROLL DOWN TURBO S60	1
8929833	CONNECTOR, 3/8" INV. FL. TUBE; 5/8" PIPE (12.9460)	2
CLIP, TURBOCHARGER OIL SUPPLY TUBE		
5145994	CLIP, 3/8" TUBE X 1/2" BOLT	1
11509511	BOLT, M8 X 1.25 X 20 MM	1
11507036	NUT, M8 X 1.25	1
TUBE, TURBOCHARGER OIL RETURN		
23515354	TUBE TURB OIL DRN FLEX SST MED MT	1
23505039	ELBOW, 90 DEG FLD 3/4 TUBE	1
11509511	BOLT, M8 X 1.25 X 20 MM	2
GASKET, TURBOCHARGER OIL RETURN TUBE		
8929285	GASKET (3.5505)	1
CLIP, TURBOCHARGER OIL RETURN TUBE		
2476233	CLIP, .750" DIA., 3/8" BOLT	1
5144629	BRACKET, CLIP 90 DEG.	1
11509511	BOLT, M8 X 1.25 X 20 MM	1
11507036	NUT, M8 X 1.25	1

DETROIT DIESEL
CUSTOM PARTS CATALOG 02/03/98
06R0392220

PART #	NAME AND DESCRIPTION	QUANTITY
4.1000A - OIL PUMP		
PUMP ASSY., OIL		
A PUMP ASSY. INCLUDES ITEMS IN 4.1040, 4.1065, 4.1075, 4.1090 AND 4.1220.		
R23505886	REMANUFACTURED 23505886	AR
23505886	PUMP ASSY., RT. SIDE ENGINE	1
23505885	DOWEL, SLEEVE OIL PUMP	1
8929011	PIN, 25L., DOWEL	1
11502826	BOLT, M10 X 1.5 X 40.0	2
8929393	BOLT, M10 X 1.5 X 70.0 (12.9001)	2
OVERHAUL KIT, OIL PUMP		
AN OVERHAUL KIT INCLUDES ITEMS IN 4.1065, 4.1075, 4.1520, 4.1590 AND 4.1730		
23511065	OVERHAUL KIT, RT SIDE ENGINE	1
SHIM, OIL PUMP		
23508740	SHIM (.0055" THK.)	AR
BODY, OIL PUMP		
BODY ASSY. INCLUDES BUSHINGS IN 4.1050.		
23505878	BODY ASSY., RT. SIDE ENGINE	1
BUSHING, OIL PUMP BODY		
23505879	BUSHING, SHAFT & DRIVE GEAR	2
SHAFT AND GEAR ASSY., OIL PUMP DRIVE		
23505882	SHAFT & GEAR ASSY., OIL PUMP	1
SHAFT AND GEAR ASSY., OIL PUMP DRIVEN		
23507337	SHAFT & GEAR ASSY., OIL PUMP	1
GEAR, OIL PUMP DRIVE		
23505884	GEAR, 69 TEETH	1
COVER, OIL PUMP		
A COVER ASSY. INCLUDES BUSHINGS IN 4.1220		
23505883	COVER ASSY, OIL PUMP	1
23505879	BUSHING, SHAFT & DRIVE GEAR	2
11509511	BOLT, M8 X 1.25 X 20 MM	2
11509514	BOLT, M8 X 1.25 X 50 MM	2
4.1000B - OIL DISTRIBUTION SYSTEM		
PIPE, OIL PUMP INLET		
23506683	TUBE & SCREEN ASSY, OIL PUMP	1
11509514	BOLT, M8 X 1.25 X 50 MM	2
GASKET, OIL PUMP INLET PIPE		
23505992	GASKET, OIL INLET TUBE TO PUMP	1
BRACKET, OIL PUMP SCREEN SUPPORT		
8929104	BRACKET	2
11505299	BOLT, M10 X 1.5 X 30.0 MM	4
11502812	NUT, M10X1.5	2
PIPE, OIL PUMP OUTLET		
23505890	TUBE, OIL PUMP OUTLET	1
23514767	NS ELBOW ASM OIL INL & PRESS RLF VLV S60	1
PIPE, OIL PUMP OUTLET		
457008	PIN, 3/16" X 1-1/2" SPRING (12.9270)	1
SPRING, OIL PUMP OUTLET PIPE BYPASS VALVE		
5126327	SPRING (2.96" FREE LENGTH, 15 COILS, CLOSED ENDS,	1
VALVE, OIL PUMP OUTLET PIPE BYPASS		
8922740	VALVE	1
5117957	SEAT	1
23505891	RING SEAL, OIL PUMP OUTLET	1
23505892	RING SEAL, OIL PUMP INLET	1
11504822	BOLT, M8 X 1.25 X 30	2
GASKET, OIL PUMP OUTLET PIPE		
8929347	GASKET (TO BLOCK)	1

DETROIT DIESEL
CUSTOM PARTS CATALOG 02/03/98
06R0392220

PART #	NAME AND DESCRIPTION	QUANTITY
4.1000C - OIL PRESSURE REGULATOR		
REGULATOR, OIL PRESSURE		
A PUMP KIT INCLUDES PUMP ASSY. AND SEAL RING.		
23512901	REGULATOR ASSY.	1
BODY, OIL PRESSURE REGULATOR AND RELIEF		
457008	PIN, 3/16" X 1-1/2" SPRING (12.9270)	1
8929283	BODY, REGULATOR	1
SPRING, OIL PRESSURE REGULATOR		
5126327	SPRING (2.96" FREE LENGTH, 15 COILS, CLOSED ENDS,	1
VALVE, OIL PRESSURE REGULATOR		
8922740	VALVE	1
SEAT, OIL PRESSURE REGULATOR		
23512900	SEAT	1
11504822	BOLT, M8 X 1.25 X 30	2
RELIEF, VALVE OIL PRESSURE		
A PUMP KIT INCLUDES PUMP ASSY. AND SEAL RING.		
8921086	VALVE ASSY.	1
BODY, OIL PRESSURE REGULATOR AND RELIEF		
457008	PIN, 3/16" X 1-1/2" SPRING (12.9270)	1
8921084	BODY, RELIEF	1
SPRING, OIL PRESSURE REGULATOR		
5126327	SPRING (2.96" FREE LENGTH, 15 COILS, CLOSED ENDS,	1
VALVE, OIL PRESSURE REGULATOR		
8922740	VALVE	1
SEAT, OIL PRESSURE REGULATOR		
5117957	SEAT	1
11504822	BOLT, M8 X 1.25 X 30	2
4.2000A - OIL FILTER		
ELEMENT, OIL FILTER		
23518480	FILTER, LUBE OIL	2
ADAPTOR, OIL FILTER COVER		
8923847	PLUG, PIPE 1/4-18" NPTF	1
4.4000A - OIL COOLER		
CORE, OIL COOLER ENGINE		
52474367	CORE ASM ENG OIL CLR 10 PLT S60	1
HOUSING, OIL COOLER-ENGINE		
23518638	HOUSING ASM OIL CLR 10 PLT 12L S60	1
HOUSING, OIL COOLER-ENGINE		
8922327	PLUG, 1/4" NPTF (12.9550)	1
23511573	PLUG, 3/4" PIPE SQ. SOC. SCOTCHGRIP	4
23511574	PLUG, 1" PIPE SQ. SOC. SCOTCHGRIP	1
23511573	PLUG, 3/4" PIPE SQ. SOC. SCOTCHGRIP	1
23516104	PLUG PIPE 1/4-18 HEX HD STL CTD RED	1
HOUSING, OIL TRANSFER COOLER-FILTER ADAPTOR		
23508392	RING, SEAL	1
GASKET, OIL COOLER HOUSING		
8929289	RING, SEAL	1
ADAPTOR, OIL COOLER		
AN ADAPTOR ASSY. INCLUDES 4-PLUGS IN 4.4110 PLUS ITEMS IN 4.4140 AND 4.4150		
23518640	NS # ADAPTOR ASM OIL CLR/FLTR 10PLT 12LS60	1
CORE, OIL COOLER ENGINE		
52474367	CORE ASM ENG OIL CLR 10 PLT S60	1
GASKET, OIL COOLER CORE INNER		
23506247	GASKET, OIL COOLER HOUSING	1
HOUSING, OIL COOLER-ENGINE		
23507182	BOLT, SPL M8 X 1.25 X 73.0	3
23518638	HOUSING ASM OIL CLR 10 PLT 12L S60	1
23507183	BOLT, SPL M8 X 1.23 X 93.0	7
ADAPTOR, OIL COOLER		
23518637	ADAPTOR ASM O/CLR 10 PLT PF2100 FLTRS	1
23508392	RING, SEAL	2

DETROIT DIESEL
CUSTOM PARTS CATALOG 02/03/98
06R0392220

PART #	NAME AND DESCRIPTION	QUANTITY
4.4000A - OIL COOLER		
23505062	BOLT, M10 X 1.5 X 40 (12.9001)	4
# NOT SERVICED, USE COMPONENTS.		
GASKET, ADAPTOR TO OIL COOLER HOUSING		
23505902	RING, SEAL BYPASS FILTER	1
4.6000A - DIPSTICK		
DIPSTICK		
23517836	GAUGE ASM OIL LVL SNAP LK 16.33LG S60	1
GUIDE, DIPSTICK		
23513683	GUIDE	1
ADAPTOR, DIPSTICK		
23514328	TUBE ASM 8.70 LG	1
ADAPTOR, DIPSTICK		
137401	NUT, 1/2" INV. TUBE	1
23513842	SEAL OIL LVL GA ADAP	1
4.7000A - OIL PAN		
PAN, OIL		
OIL PAN ASSYS. INCLUDE PLUGS, INSERTS, SEAL RINGS, AND NUTS IN 4.7001		
23517242	ISOLATOR OIL PAN S50/S60	10
23517243	SPACER OIL PAN S50/S60	10
23521173	PAN ASSY., OIL SMC VINYL ESTER	1
PAN, OIL		
23520929	SEAL RING	3
23520931	NUT	3
23521330	KIT INSERT OIL PAN	1
8923313	PLUG, 3/4" PIPE (12.9550)	3
11504571	BOLT, M10 X 1.5 X 65.0MM	10
GASKET, OIL PAN TO BLOCK		
8929102	GASKET	1
PLUG, OIL PAN DRAIN		
5178994	PLUG, 3/4"-14 NPTF PIPE (4.7080)	1
4.8000A - VENTILATING SYSTEM		
PLUG, BREATHER HOLE		
23515484	CAPLUG	1
FILTER UNIT, BREATHER		
5101760	ELEMENT (ROUND)	1
RETAINER, BREATHER PAD		
8929257	RETAINER, ELEMENT	1
4.8000A - VENTILATING SYSTEM		
PIPE ASSY, BREATHER		
23517013	TUBE BTHR DRAFT (RKR CVR) 1344.0 LG	1
23518315	HOSE 90 DEG 1.0ID 1.80 X 1.0R	1
CLAMP, BREATHER TUBE		
5186840	CLAMP, 1 1/2" I.D. (12.9660)	2
CLIP, BREATHER TUBE		
11506101	NUT, M10 X 1.5	1
23505062	BOLT, M10 X 1.5 X 40 (12.9001)	1
23519756	BRACKET	1
5180425	SPACER, 13/32"X23/32"	1
23506443	CLIP, #16 HOSE 1" DIA. (4.8183)	2
11504986	BOLT, M8 X 1.25 X 14 MM	1
11507036	NUT, M8 X 1.25	1

DETROIT DIESEL
CUSTOM PARTS CATALOG 02/03/98
06R0392220

PART #	NAME AND DESCRIPTION	QUANTITY
5.1000 - FRESH WATER PUMP		
PUMP ASSY., FRESH WATER		
A PUMP KIT INCLUDES PUMP ASSY. AND SEAL RING.		
I23518216	PUMP KIT, 360 DEG BEAD HSG HIGH CAPACITY IMPELLER	1
23518215 NS	PUMP ASM WAT RR GRCASE SQCUT O-RG S60	1
BODY, FRESH WATER PUMP		
23511573	PLUG, 3/4" PIPE SQ. SOC. SCOTCHGRIP	2
23511574	PLUG, 1" PIPE SQ. SOC. SCOTCHGRIP	1
23517027	BODY WAT PMP RRGRCASE SQCUT O-RG S60	1
8929594	PLUG, 3/8"-18 DIA. PIPE EXT. HEX. SOC.	1
COVER, FRESH WATER PUMP BODY		
8922383	COVER, NON-METALLIC	1
GASKET, FRESH WATER PUMP COVER		
23512048	SEAL RING	1
8922407	RING RETAINER	1
SHAFT ASSY., FRESH WATER PUMP		
23505896	SHAFT	1
BEARING, FRESH WATER PUMP		
8929422	BEARING ASSY.	1
RETAINER, FRESH WATER PUMP BEARING AND SEAL		
8929427	RING	1
IMPELLER, FRESH WATER PUMP		
23517973	IMPELLER W/PMP C/I 6 VANE S60	1
SEAL, FRESH WATER PUMP		
23518316	SEAL WAT PUMP UNITIZED S60 W/SEALANT	1
8929134	SEAL, LIP TYPE	1
GEAR, FRESH WATER PUMP DRIVE		
23505897	WASHER, SPL WAT PUMP GEAR (5.1110)	1
23505910	GEAR, RH 61 TEETH	1
23508863	BOLT, M12X1.75X50.0MM	1
23505025	SEAL RING W/SQ CUT (5.1032)	1
11509523	BOLT, M10 X 1.5 X 55 MM	1
23505755	BOLT, M10 X 1.5 X 155.0	2
RECONDITIONING KIT, FRESH WATER PUMP		
A RECONDITIONING KIT INCLUDES SEAL RING IN 5.1001, BEARING IN 5.1070 LOCKRING IN 5.1071 AND ITEMS IN 5.1130 AND 5.1236.		
23509105	KIT, RECONDITIONING W/SQ CUT WAT PMP & CVR SEALS	AR
5.2000B - THERMOSTAT		
THERMOSTAT ASSY.		
8929878	THERMOSTAT ASSY. 190 DEG. OPENING TEMP.	2
SEAL, THERMOSTAT		
5132155	SEAL	2
23509514	SEAL FLANGE	AR
COVER, THERMOSTAT HOUSING		
8929728	COVER	1
23511572	PLUG, 1/2" NPTF SQ. SOC. (12.9550)	2
23511573	PLUG, 3/4" PIPE SQ. SOC. SCOTCHGRIP	2
5136240	PLUG CAP .42" DIA. (2.2001)	1
8924140	DRAINCOCK, 1/4" (12.9510)	1
23505050	BOLT, M10 X 1.5 X 85 (12.9001)	4
5.2000C - WATER BYPASS TUBE		
TUBE, WATER BYPASS		
23505898	TUBE	1
HOSE, WATER BYPASS TUBE		
8929875	HOSE, 1 3/4" X 3.25"	2
CLIP, WATER BYPASS TUBE		
23505048	CLAMP, 2"-2 1/2" DIA. HOSE	4
5.3000B - WATER CONNECTIONS		
TUBE, WATER PUMP TO OIL COOLER		
23505899	TUBE (FOR HI & MED MT. TURBO)	1

DETROIT DIESEL
CUSTOM PARTS CATALOG 02/03/98
06R0392220

PART #	NAME AND DESCRIPTION	QUANTITY
5.3000B - WATER CONNECTIONS		
HOSE, WATER PUMP TO OIL COOLER 23506325	HOSE, 2.75"X3.0" L (BLUE)	2
CLIP, WATER PUMP TO OIL COOLER TUBE 8929865	CLAMP, 3"-3 1/2" ID HOSE	4
5.4000A - FAN		
BLADE, FAN HIGH LOW AND CRANKSHAFT MOUNTED NPN	(CUSTOMER FURNISHED) BLADE	1
PULLEY AND HUB ASSY., FAN		
8929169	WASHER (12.9190)	6
8929218	PULLEY, FAN 3 GROOVE 203.0, 1 GROOVE 254.0	1
8929585	BOLT, M10 X 1.5 X 380.0 (12.9001)	1
9409036	BOLT, 3/8"-24 X 1.125" (12.9001)	6
SUPPORT, FAN MOUNTING		
23511356	SUPPORT, W/UPR RT BOLT BOSS	1
11504822	BOLT, M8 X 1.25 X 30	5
11509525	BOLT, M10 X 1.5 X 110 MM	2
11509531	BOLT, M14 X 2.0 X 80 MM	1
11509533	BOLT, M14 X 2.0 X 100 MM	1
11513960	BOLT, M10 X 1.5 X 145 MM	1
SPINDLE ASSY., FAN DRIVE		
A SPINDLE ASSY. INCLUDES ITEMS IN 5.4102, 5.4103, 5.4111 AND 5.4160.		
8929538	SPINDLE ASSY.	1
455322	FITTING, 1/8" VENT (12.9540)	1
271283	FITTING, 45 DEG.-1/8" GREASE (12.9540)	1
455734	PIN, SPRING 1/8" X 3/4" (12.9300)	1
11500944	BOLT, M12X1.75X40.0 MM	4
5131978	WASHER, .53 X 1.00 (1.5001)	4
8929214	WASHER	1
HOUSING, FAN DRIVE SPINDLE		
8929215	PLATE	1
8920419	BOLT, M10X1.5"X45.0" SPECIAL (1.2070)	1
BEARING, FAN SPINDLE		
7451005	BEARING, ROLLER (12.4048)	1
23506569	BEARING, BALL (OPTIONAL TO 8929530)	1
8929064	RING, INT RETAINING 3.121" O.D. (12.4048)	1
23518178	BRG BALL ALT DRIV HEAT STABILIZED S60	1
8929063	RING, INT RETAINING 3.734" O.D. (12.4048)	1
8929216	RING, INT RETAINING 1.618" O.D. (5.4111)	1
SEAL, FAN SPINDLE		
8929213	SEAL	1

DETROIT DIESEL
 CUSTOM PARTS CATALOG 02/03/98
 06R0392220

PART #	NAME AND DESCRIPTION	QUANTITY
6.1000A - EXHAUST MANIFOLD AND/OR CONNECTIONS		
MANIFOLD, EXHAUST		
23511221	MANIFOLD, 3 PC END FRONT HIGH MOUNT	1
23511222	MANIFOLD, 3 PC FRT & REAR END	1
23511978	MANIFOLD, 3 PC CENTER SECTION HIGH MOUNT	1
GASKET, EXHAUST MANIFOLD		
23511666	GASKET, 2 PORT (GRAPHITE)	3
STUD, EXHAUST MANIFOLD TO TURBOCHARGER		
23517241	STUD SPL M10X1.5X58.5 EXH MAN S50G	4
BOLT, EXHAUST MANIFOLD TO HEAD		
8929357	BOLT, M10 X 1.5 X 120 (12.9001)	7
23511667	SPACER	12
HEAT SHIELD, EXHAUST MANIFOLD		
23520972	HEAT SHIELD EXH MANIF FRT	1
23519124	SHIELD HEAT EXH MANIFOLD RR	1
23509744	STUD, BOLT M10X1.5X120.0	5
11506101	NUT, M10 X 1.5	5

DETROIT DIESEL
CUSTOM PARTS CATALOG 02/03/98
06R0392220

PART #	NAME AND DESCRIPTION	QUANTITY
7.3000A	- STARTING MOTOR	
MOTOR ASSY., STARTING		
RO461128	MOTOR ASSY., 24V 42MT (REMANUFACTURED)	AR
10478980	MOTOR ASSY. (24V. CW. INSUL. 42MT)	1
9439720	BOLT, 5/8"-11X2 1/4" (12PT.) (12.9005)	3
103325	LOCKWASHER, 5/8"	3

DETROIT DIESEL
CUSTOM PARTS CATALOG 02/03/98
06R0392220

PART #	NAME AND DESCRIPTION	QUANTITY
11.1000A	ENGINE MOUNTING BASE	
SUPPORT, ENGINE FRONT		
8929744	SUPPORT (WEST COAST) ITEM 1	1
11509528	BOLT, M12 X 1.75 X 30 MM	8
8929068	BOLT, M14 X 2.0 X 140 (12.9001)	4

**D E T R O I T D I E S E L
C U S T O M P A R T S C A T A L O G**

PART#	NAME AND DESCRIPTION
12.8000A - SUPPLIES	
COMPOUND, THREAD LUBRICATING	
5198563	INTERNATIONAL COMPOUND #2 (5 GALLON CAN)
23509545	SEAL, ANTI-SEIZE HEAT & RUST (1 LB.)
SEALER, THREADLOCK	
23509535	THREADLOCK, MEDIUM STRENGTH (50 ML.)
23509536	THREADLOCK, MEDIUM STRENGTH (10 ML.)
23509537	THREADLOCK 262, HIGH STRENGTH (10 ML.)
23509538	THREADLOCK, HIGH STRENGTH (50 ML.)
23509539	THREADLOCK 290, HIGH STRENGTH (10 ML.)
23509542	SEALER, THREAD (50 ML.)
23509544	SEALER, COMPOUND (50 ML.)
SEALANT, RTV	
23509540	SEALANT, GASKET ELIMINATOR (50 ML.)
23509541	SEALANT, GASKET ELIMINATOR (300 ML.)
23509543	SEALANT, ULTRA BLUE RTV (3 OZ.)
23509603	SEALANT, BLACK RTV (11 OZ.)
ADDITIVES, SUPPLEMENTAL COOLANT	
23507854	SUPPLEMENTAL COOLANT ADDITIVE (1 PT.) (DD-3000-P)
23507855	SUPPLEMENTAL COOLANT ADDITIVE (1/2 GAL.) (DD-30000-HG)
23507856	SUPPLEMENTAL COOLANT ADDITIVE (5 GAL.) (DD-3000-11)
23507857	SUPPLEMENTAL COOLANT ADDITIVE (55 GAL.) (DD-3000-15)
23507858	SUPPLEMENTAL COOLANT ADDITIVE (1 PT.) (DD-2000-P)
23507859	SUPPLEMENTAL COOLANT ADDITIVE (1/2 GAL.) (DD-2000-HG)
23507860	SUPPLEMENTAL COOLANT ADDITIVE (5 GAL.) (DD-2000-11)
23507861	SUPPLEMENTAL COOLANT ADDITIVE (55 GAL.) (DD-2000-15)
23512138	PRECHARGED COOLANT (1 GAL.)
23512139	PRECHARGED COOLANT (55 GAL.)
23512140	PRECHARGED COOLANT (BULK)
CLEANER, COOLANT SYSTEM	
23507862	CLEANER, COOLANT SYSTEM (1/2 GAL.) (DD-2001-HG)
23507863	CLEANER, COOLANT SYSTEM (5 GAL.) (DD-2001-11)
23507864	CLEANER, COOLANT SYSTEM (55 GAL.) (DD-2001-15)
23507867	CLEANER, COOLANT SYSTEM (TWIN PACK) (DD-2015-49)
ANALYSIS KIT, COOLANT	
23516921	ANALYSIS KIT, COOLANT
23515917	TEST STRIP, TWO-WAY COOLANT
ADDITIVES, DIESEL FUEL	
23507868	ADDITIVES, FUEL (1 PT.) (DD-2020-P)
23507869	ADDITIVES, FUEL (5 GAL.) (DD-2020-11)
23507870	ADDITIVES, FUEL (55 GAL.) (DD-2020-15)
23507871	ADDITIVES, FUEL (1 PT.) (DD-1000-P)
23507872	ADDITIVES, FUEL (5 GAL.) (DD-1000-11)
23507873	ADDITIVES, FUEL (55 GAL.) (DD-1000-15)
ANALYSIS KIT, FUEL	
23516922	ANALYSIS KIT, FUEL

**D E T R O I T D I E S E L
C U S T O M P A R T S C A T A L O G**

PART#	NAME AND DESCRIPTION
12.8000A - SUPPLIES	
PAINT, ENGINE TOUCH-UP	
5194974	PAINT (12 OZ. SPRAY CAN) (ALPINE GREEN)
5149634	PAINT (12 OZ. SPRAY CAN) (GRAY)
5149635	PAINT (12OZ. SPRAY CAN) (GOLD)
5149996	PAINT (12 OZ. SPRAY CAN) (SILVER)
5149633	PAINT (12 OZ. SPRAY CAN) (ALUM. PRIMER)
8929666	PAINT (12 OZ. SPRAY CAN) (BLUE)
8929668	PAINT (12 OZ.) (CLEAR)
5149740	PAINT (1 GALLON) (ALUM. PRIMER)
5149739	PAINT (1 GALLON) (METAL GRAY)
5194975	PAINT (1 GALLON) (ALPINE GREEN)
5149997	PAINT (1 GALLON) (SILVER)
23511690	PAINT (1 GALLON) (WHITE ENAMEL: MARINE)
8929665	PAINT (1 GALLON) (BLUE)
8929667	PAINT (1 GALLON) (CLEAR)
OIL, ENGINE LUBRICATING	
23513856	1 GAL. DELVAC 1230D 2 CYL ENG
23512733	5 GAL. DELVAC 1230D 2 CYL ENG
23512737	55 GAL. DELVAC 1230D 2 CYL ENG
23512699	BULK DELVAC 1230D 2 CYL ENG
23512701	1 GAL. DELVAC 1240D 2 CYL ENG
23512734	5 GAL. DELVAC 1240D 2 CYL ENG
23512702	55 GAL. DELVAC 1240D 2 CYL ENG
23512739	BULK DELVAC 1240D 2 CYL ENG
23512735	5 GAL. DELVAC 1250D 2 CYL ENG
23512738	55 GAL. DELVAC 1250D 2 CYL ENG
23512700	BULK DELVAC 1250D 2 CYL ENG
23512703	1 GAL. DELVAC 1300 SUPER 4 CYL ENG
23512741	5 GAL. DELVAC 1300 SUPER 4 CYL ENG
23512704	55 GAL. DELVAC 1300 SUPER 4 CYL ENG
23509885	1 GAL DELVAC MEO 40 METHANOL ENG
23509886	5 GAL. DELVAC MEO 40 METHANOL ENG
23509887	55 GAL. DELVAC MEO 40 METHANOL ENG
23509888	BULK DELVAC MEO 40 METHANOL ENG
80W90P	35 LB. PAIL MOBILUBE HD 80W90
80W90K	120 LB. KEG MOBILUBE HD 80W90
80W90D	400 LB. DRUM MOBILUBE HD 80W90
85W140P	35 LB. PAIL MOBILUBE HD 85W140
85W140K	120 LB. KEG MOBILUBE HD 85W140
85W140D	400 LB. DRUM MOBILUBE HD 85W140
75W90P	35 LB. PAIL MOBILUBE SHC 75W90
75W90K	120 LB. KEG MOBILUBE SHC 75W90
75W90D	400 LB. DRUM MOBILUBE SHC 75W90
80W140P	35 LB. PAIL MOBILUBE SHC 80W140
80W140K	120 LB. KEG MOBILUBE SHC 80W140
80W140D	400 LB. BARREL MOBILUBE SHC 80W140
SHC50P	35 LB. PAIL MOBILTRANS SHC 50
SHC 50K	120 LB. KEG MOBILTRANS SHC 50
SHC50D	375 LB. DRUM MOBILTRANS SHC 50
ATFQUART	12 QUART MOBIL MULTI-PURPOSE ATF
AFTGAL	1 GAL. PAIL MOBIL MULTI-PURPOSE ATF
ATFDNUM	55 GAL. MOBIL MULTI-PURPOSE ATF
ATFBULK	BULK MOBIL MULTI-PURPOSE ATF
GREASEC	60X14 OZ. CARTRIDGES MOBILGREASE SPECIAL
GREASEK	120 LB. KEG MOBILGREASE SPECIAL
GREASED	400 LB. DRUM MOBILGREASE SPECIAL
OIL, ENGINE LUBRICATING	
HPCART	60X14 OZ. CARTRIDGES MOBILGREASE HP
HPKEG	120 LB. KEG MOBILGREASE HP
HPDRUM	400 LB. DRUM MOBILGREASE HP
MOBIL424	55 GAL. MOBILFLUID 424

DETROIT DIESEL

CORPORATION

®



13400 Outer Drive, West / Detroit, Michigan 48239-4001