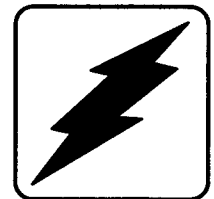


Parts Catalog

Standby Generator Sets



Models:

20-100RZ early Ford powered

See Group 701, Literature for
engine Parts Catalog

Specifications

183001-183007
183020-183025
183201-183226
185001-185025
187001-187055
187101-187122
187201-187256
187301-187314
187401-187421

KOHLER[®]
POWER SYSTEMS

Table Of Contents

	Page
Specification Number Index	2
Introduction	13
Number Significance	13
Exploded View Drawings	13
How to Find Part Numbers	14
Hardware Grades	14
Hardware References	14
Common Hardware Application Guidelines, Specification G-585	15
Common Hardware Application (G-585)	16
Common Hardware Identification	17
Screws/Bolts/Studs	17
Nuts	18
Washers	18
General Torque Specifications	19
Common Hardware List	20
Group 101: Air Intake	22
Group 103: Fuel System	24
Group 104: Coolant System	30
Group 105: Engine	36
Group 107: Nameplate and Decals	42
Group 108: Oil Pressure Gauge	44
Group 109: Skid and Plant Mounting	46
Group 110: Temperature Switches	48
Group 112: Starter	50
Group 113: Alternator	52
Group 116: Exhaust	54
Group 201: Generator and Mounting	56
Group 301: Controller and Mounting (Relay Controller)	64
Group 301: Controller and Mounting (Dec II Controller)	68
Group 301: Controller and Mounting (Dec-3 Controller)	74
Group 701: Literature	80
Accessories	81
Paint and Miscellaneous Parts	88

SPECIFICATION NUMBER INDEX

GROUP TITLE & NUMBER	<i>Alr Intake</i>	<i>Fuel System</i>	<i>Coolant System</i>	<i>Engine</i>	<i>Nameplates and Decals</i>	<i>Oil Pressure Guage</i>	<i>Skid and Plant Mounting</i>	<i>Temperature Switches</i>	<i>Starter</i>
GROUP NO.	101	103	104	105	107	108	109	110	112
SPEC. NO.	VARIATION NUMBER								
20 RZ									
185001	181-1	181-1	181-1	181-1	179-4	181-1	181-1	181-1	181-1
185002	181-1	181-2	181-1	181-1	179-10	181-1	181-1	181-1	181-1
185003	181-1	181-1	181-1	181-1	179-4	181-2	181-1	181-2	181-1
185004	181-1	181-1	181-1	181-1	179-4	181-1	181-1	181-1	181-1
185005	181-1	181-2	181-1	181-1	179-10	181-2	181-1	181-2	181-1
185006	181-1	181-2	181-1	181-1	179-10	181-1	181-1	181-1	181-1
185007	181-1	181-1	181-1	181-1	179-5	181-1	181-1	181-1	181-1
185020	181-1	181-1	181-1	181-5	179-4	181-1	181-1	181-1	181-1
185021	181-1	181-2	181-1	181-5	179-10	181-1	181-1	181-1	181-1
185022	181-1	181-1	181-1	181-1	179-4	181-2	181-1	181-2	181-1
185023	181-1	181-1	181-1	181-1	179-4	181-1	181-1	181-1	181-1
185024	181-1	181-2	181-1	181-1	179-10	181-2	181-1	181-2	181-1
185025	181-1	181-2	181-1	181-1	179-10	181-1	181-1	181-1	181-1
30 RZ									
183001	179-1	179-1	179-3	179-1	179-1	179-1	179-1	179-1	—
183002	179-1	179-2	179-3	179-1	179-1	179-1	179-1	179-1	—
183003	179-1	179-1	179-3	179-1	179-1	179-2	179-1	179-2	—
183004	179-1	179-1	179-3	179-1	179-1	179-1	179-1	179-1	—
183005	179-1	179-2	179-3	179-1	179-1	179-2	179-1	179-2	—
183006	179-1	179-2	179-3	179-1	179-1	179-1	179-1	179-1	—
183007	179-1	179-1	179-3	179-1	179-6	179-1	179-1	179-1	—
33 RZ									
183020	179-1	179-1	179-3	179-5	179-1	179-1	179-1	179-1	—
183021	179-1	179-2	179-3	179-5	179-1	179-1	179-1	179-1	—
183022	179-1	179-1	179-3	179-1	179-1	179-2	179-1	179-2	—
183023	179-1	179-1	179-3	179-1	179-1	179-1	179-1	179-1	—
183024	179-1	179-2	179-3	179-1	179-1	179-2	179-1	179-2	—
183025	179-1	179-2	179-3	179-1	179-1	179-1	179-1	179-1	—

SPECIFICATION NUMBER INDEX

GROUP TITLE & NUMBER	<i>Alternator</i>	<i>Exhaust</i>	<i>Generator and Mounting</i>	<i>Controller and Mounting</i>	<i>Literature</i>				
GROUP NO.	113	116	201	301	701				
SPEC. NO.	VARIATION NUMBER								
20 RZ									
185001	—	—	178-11	179-6	181-1				
185002	—	—	178-11	179-6	181-1				
185003	—	—	178-11	179-3	181-3				
185004	—	—	178-11	179-7	181-3				
185005	—	—	178-11	179-3	181-3				
185006	—	—	178-11	179-7	181-3				
185007	—	—	178-12	179-8	181-1				
185020	—	—	178-31	179-21	181-4				
185021	—	—	178-31	179-21	181-4				
185022	—	—	178-51	179-3	181-3				
185023	—	—	178-51	179-7	181-3				
185024	—	—	178-51	179-3	181-3				
185025	—	—	178-51	179-7	181-3				
30 RZ									
183001	—	—	178-6	179-1	179-1				
183002	—	—	178-6	179-1	179-1				
183003	—	—	178-6	179-3	179-4				
183004	—	—	178-6	179-4	179-4				
183005	—	—	178-6	179-3	179-4				
183006	—	—	178-6	179-4	179-4				
183007	—	—	178-12	179-9	179-1				
33 RZ									
183020	—	—	178-32	179-22	179-6				
183021	—	—	178-32	179-22	179-6				
183022	—	—	178-52	179-3	179-4				
183023	—	—	178-52	179-4	179-4				
183024	—	—	178-52	179-3	179-4				
183025	—	—	178-52	179-4	179-4				

SPECIFICATION NUMBER INDEX

GROUP TITLE & NUMBER	<i>Alr Intake</i>	<i>Fuel System</i>	<i>Coolant System</i>	<i>Engine</i>	<i>Nameplates and Decals</i>	<i>Oil Pressure Guage</i>	<i>Skid and Plant Mounting</i>	<i>Temperature Switches</i>	<i>Starter</i>
GROUP NO.	101	103	104	105	107	108	109	110	112
SPEC. NO.	VARIATION NUMBER								
45 RZ									
183201	179-1	179-1	179-3	179-1	179-3	179-1	179-1	—	—
183202	179-1	179-2	179-3	179-1	179-3	179-1	179-1	—	—
183203	179-1	179-1	179-3	179-1	179-3	179-2	179-2	—	—
183204	179-1	179-1	179-3	179-1	179-3	179-1	179-1	—	—
183205	179-1	179-2	179-3	179-1	179-3	179-2	179-2	—	—
183206	179-1	179-2	179-3	179-1	179-3	179-1	179-1	—	—
183207	179-1	179-2	179-2	179-1	179-3	179-1	179-1	—	—
183208	179-1	179-1	179-3	179-1	179-7	179-1	179-1	—	—
183220	179-1	179-1	179-3	179-5	179-3	179-1	179-1	—	—
183221	179-1	179-2	179-3	179-5	179-3	179-1	179-1	—	—
183222	179-1	179-2	179-2	179-5	179-5	179-5	179-5	—	—
183223	179-1	179-1	179-3	179-1	179-3	179-2	179-2	—	—
183224	179-1	179-1	179-3	179-1	179-3	179-1	179-1	—	—
183225	179-1	179-2	179-3	179-1	179-3	179-2	179-2	—	—
183226	179-1	179-2	179-3	179-1	179-3	179-1	179-1	—	—
50 RZ									
187101	183-1	183-2	183-1	183-2	179-12	183-1	183-1	—	—
187102	183-1	183-2	183-1	183-9	179-12	183-1	183-1	183-1	—
187103	183-1	183-1	183-1	183-9	179-8	183-1	183-1	183-1	—
187104	183-1	183-2	183-1	183-9	179-12	183-1	183-1	183-1	—
187105	183-1	183-1	183-1	183-17	179-12	183-1	183-4	183-1	—
187106	183-1	183-2	183-1	183-17	179-12	183-1	183-4	183-1	—
187107	183-1	183-2	183-1	183-17	179-12	183-1	183-4	183-1	—
187120	183-1	183-1	183-1	183-23	179-12	183-1	183-4	183-1	—
187121	183-1	183-2	183-1	183-23	179-12	183-1	183-4	183-1	—
187122	183-1	183-2	183-1	183-17	179-12	183-1	183-4	183-1	—

SPECIFICATION NUMBER INDEX

GROUP TITLE & NUMBER	<i>Alternator</i>	<i>Exhaust</i>	<i>Generator and Mounting</i>	<i>Controller and Mounting</i>	<i>Literature</i>				
GROUP NO.	113	116	201	301	701				
SPEC. NO.	VARIATION NUMBER								
45 RZ									
183201	—	—	178-8	179-2	179-2				
183202	—	—	178-8	179-2	179-2				
183203	—	—	178-8	179-3	179-5				
183204	—	—	178-8	179-5	179-5				
183205	—	—	178-8	179-3	179-5				
183206	—	—	178-8	179-5	179-5				
183207	—	—	178-8	179-2	179-2				
183208	—	—	178-15	179-10	179-2				
183220	—	—	178-33	179-23	179-7				
183221	—	—	178-33	179-23	179-7				
183222	—	—	178-33	179-23	179-7				
183223	—	—	178-53	179-3	179-5				
183224	—	—	178-53	179-5	179-5				
183225	—	—	178-53	179-3	179-5				
183226	—	—	178-53	179-5	179-5				
50 RZ									
187101	183-1	183-1	178-25	179-18	183-1				
187102	183-3	183-1	178-25	179-18	183-1				
187103	183-1	183-1	178-25	179-18	183-1				
187104	183-1	183-1	178-25	179-5	183-6				
187105	183-2	183-1	178-25	179-18	183-1				
187106	183-2	183-1	178-25	179-18	183-1				
187107	183-2	183-1	178-25	179-5	183-6				
187120	183-2	183-1	178-34	179-24	183-10				
187121	183-2	183-1	178-34	179-24	183-10				
187122	183-2	183-1	178-54	178-5	183-6				

SPECIFICATION NUMBER INDEX

GROUP TITLE & NUMBER	<i>Air Intake</i>	<i>Fuel System</i>	<i>Coolant System</i>	<i>Engine</i>	<i>Nameplates and Decals</i>	<i>Oil Pressure Gauge</i>	<i>Skid and Plant Mounting</i>	<i>Temperature Switches</i>	<i>Starter</i>
GROUP NO.	101	103	104	105	107	108	109	110	112
SPEC. NO.	VARIATION NUMBER								
60 RZ									
187001	183-1	183-1	183-1	183-1	179-8	183-1	183-1	183-1	—
187002	183-1	183-2	183-1	183-2	179-8	183-1	183-1	183-1	—
187003	183-1	183-1	183-1	183-1	179-8	183-2	183-1	183-2	—
187004	183-1	183-1	183-1	183-1	179-8	183-1	183-1	183-1	—
187005	183-1	183-2	183-1	183-2	179-8	183-2	183-1	183-2	—
187006	183-1	183-2	183-1	183-2	179-8	183-1	183-1	183-1	—
187011	183-1	183-1	183-1	183-9	179-8	183-1	183-1	183-1	—
187012	183-1	183-1	183-1	183-9	179-8	183-2	183-1	183-2	—
187013	183-1	183-1	183-1	183-9	179-8	183-1	183-1	183-1	—
187014	183-1	183-2	183-1	183-9	179-8	183-1	183-1	183-1	—
187015	183-1	183-2	183-1	183-9	179-8	183-2	183-1	183-2	—
187016	183-1	183-2	183-1	183-9	179-8	183-1	183-1	183-1	—
187023	183-1	183-1	183-1	183-17	179-8	183-1	183-4	183-1	—
187024	183-1	183-1	183-1	183-17	179-8	183-2	183-4	183-2	—
187025	183-1	183-1	183-1	183-17	179-8	183-1	183-4	183-1	—
187026	183-1	183-2	183-1	183-17	179-8	183-1	183-4	183-1	—
187027	183-1	183-2	183-1	183-17	179-8	183-2	183-4	183-2	—
187028	183-1	183-2	183-1	183-17	179-8	183-1	183-4	183-1	—
187050	183-1	183-1	183-1	183-23	179-8	183-1	183-4	183-1	—
187051	183-1	183-2	183-1	183-23	179-8	183-1	183-4	183-1	—
187052	183-1	183-1	183-1	183-17	179-8	183-2	183-4	183-2	—
187053	183-1	183-1	183-1	183-17	179-8	183-1	183-4	183-1	—
187054	183-1	183-2	183-1	183-17	179-8	183-2	183-4	183-2	—
187055	183-1	183-2	183-1	183-17	179-8	183-1	183-4	183-1	—

SPECIFICATION NUMBER INDEX

GROUP TITLE & NUMBER	<i>Alternator</i>	<i>Exhaust</i>	<i>Generator and Mounting</i>	<i>Controller and Mounting</i>	<i>Literature</i>				
GROUP NO.	113	116	201	301	701				
SPEC. NO.	VARIATION NUMBER								
60 RZ									
187001	183-1	183-1	178-20	179-11	183-1				
187002	183-1	183-1	178-20	179-11	183-1				
187003	183-1	183-1	178-20	179-3	183-1				
187004	183-1	183-1	178-20	178-20	183-1				
187005	183-1	183-1	178-20	179-3	183-1				
187006	183-1	183-1	178-20	179-12	183-1				
187011	183-1	183-1	178-20	179-11	183-1				
187012	183-1	183-1	178-20	179-3	183-6				
187013	183-1	183-1	178-20	179-12	183-6				
187014	183-3	183-1	178-20	179-11	183-1				
187015	183-1	183-1	178-20	179-3	183-6				
187016	183-1	183-1	178-20	179-12	183-6				
187023	183-2	183-1	178-20	179-11	183-1				
187024	183-2	183-1	178-20	179-3	183-6				
187025	183-2	183-1	178-20	179-12	183-6				
187026	183-2	183-1	178-20	179-11	183-1				
187027	183-2	183-1	178-20	179-3	183-6				
187028	183-2	183-1	178-20	179-12	183-6				
187050	183-2	183-1	178-35	179-25	183-10				
187051	183-2	183-1	178-35	179-25	183-10				
187052	183-2	183-1	178-55	179-17	183-6				
187053	183-2	183-1	178-55	179-12	183-6				
187054	183-2	183-1	178-55	179-17	183-6				
187055	183-2	183-1	178-55	179-12	183-6				

SPECIFICATION NUMBER INDEX

GROUP TITLE & NUMBER	<i>Air Intake</i>	<i>Fuel System</i>	<i>Coolant System</i>	<i>Engine</i>	<i>Nameplates and Decals</i>	<i>Oil Pressure Gauge</i>	<i>Skid and Plant Mounting</i>	<i>Temperature Switches</i>	<i>Starter</i>
GROUP NO.	101	103	104	105	107	108	109	110	112
SPEC. NO.	VARIATION NUMBER								
70 RZ									
187201	183-1	183-1	183-1	183-1	179-9	183-1	183-2	183-1	—
187202	183-1	183-2	183-1	183-2	179-9	183-1	183-2	183-1	—
187203	183-1	183-1	183-1	183-1	179-9	183-2	183-2	183-2	—
187204	183-1	183-1	183-1	183-1	179-9	183-1	183-2	183-1	—
187205	183-1	183-2	183-1	183-2	179-9	183-2	183-2	183-2	—
187206	183-1	183-2	183-1	183-2	179-9	183-1	183-2	183-1	—
187211	183-4	183-4	183-1	183-2	179-9	183-1	183-2	183-1	—
187212	183-4	183-4	183-1	183-2	179-9	183-2	183-2	183-2	—
187213	183-4	183-4	183-1	183-2	179-9	183-1	183-2	183-1	—
187214	183-1	183-1	183-1	183-9	179-9	183-1	183-2	183-1	—
187215	183-1	183-1	183-1	183-9	179-9	183-2	183-2	183-2	—
187216	183-1	183-1	183-1	183-9	179-9	183-1	183-2	183-1	—
187217	183-4	183-4	183-1	183-9	179-9	183-1	183-2	183-1	—
187218	183-4	183-4	183-1	183-9	179-9	183-2	183-2	183-2	—
187219	183-4	183-4	183-1	183-9	179-9	183-1	183-2	183-1	—
187226	183-1	183-1	183-1	183-17	179-9	183-1	183-3	183-1	—
187227	183-1	183-1	183-1	183-17	179-9	183-2	183-3	183-2	—
187228	183-1	183-1	183-1	183-17	179-9	183-1	183-3	183-1	—
187229	183-4	183-4	183-1	183-17	179-9	183-1	183-3	183-1	—
187230	183-4	183-4	183-1	183-17	179-9	183-2	183-3	183-2	—
187231	183-4	183-4	183-1	183-17	179-9	183-1	183-3	183-1	—
187250	183-1	183-1	183-1	183-23	179-9	183-1	183-3	183-1	—
187251	183-4	183-4	183-1	183-23	179-9	183-1	183-3	183-1	—
187252	183-1	183-1	183-1	183-17	179-9	183-2	183-3	183-2	—
187253	183-1	183-1	183-1	183-17	179-9	183-1	183-3	183-1	—
187254	183-4	183-4	183-1	183-17	179-9	183-2	183-3	183-2	—
187255	183-4	183-4	183-1	183-17	179-9	183-1	183-3	183-1	—
187256	183-4	183-4	183-1	183-23	179-9	183-1	183-3	183-1	—

SPECIFICATION NUMBER INDEX

GROUP TITLE & NUMBER	<i>Alternator</i>	<i>Exhaust</i>	<i>Generator and Mounting</i>	<i>Controller and Mounting</i>	<i>Literature</i>				
GROUP NO.	113	116	201	301	701				
70 RZ									
187201	183-1	183-1	178-21	179-11	183-3				
187202	183-1	183-1	178-21	179-11	183-3				
187203	183-1	183-1	178-21	179-3	183-3				
187204	183-1	183-1	178-21	179-12	183-3				
187205	183-1	183-1	178-21	179-3	183-1				
187206	183-1	183-1	178-21	179-12	183-1				
187211	183-1	183-1	178-21	179-11	183-3				
187212	183-1	183-1	178-21	179-3	183-3				
187213	183-1	183-1	178-21	179-12	183-3				
187214	183-1	183-1	178-21	179-11	183-3				
187215	183-1	183-1	178-21	179-3	183-7				
187216	183-1	183-1	178-21	179-12	183-7				
187217	183-3	183-1	178-21	179-11	183-3				
187218	183-1	183-1	178-21	179-3	183-7				
187219	183-1	183-1	178-21	179-12	183-7				
187226	183-2	183-1	178-21	179-11	183-3				
187227	183-2	183-1	178-21	179-3	183-7				
187228	183-2	183-1	178-21	179-12	183-7				
187229	183-2	183-1	178-21	179-11	183-3				
187230	183-2	183-1	178-21	179-3	183-7				
187231	183-2	183-1	178-21	179-12	183-7				
187250	183-2	183-1	178-36	179-25	183-11				
187251	183-2	183-1	178-36	179-25	183-11				
187252	183-2	183-1	178-36	179-25	183-11				
187253	183-2	183-1	178-36	179-25	183-11				
187254	183-2	183-1	178-56	179-17	183-7				
187255	183-2	183-1	178-56	179-12	183-7				
187256	183-2	183-1	178-92	178-36	183-11				

SPECIFICATION NUMBER INDEX

GROUP TITLE & NUMBER	<i>Air Intake</i>	<i>Fuel System</i>	<i>Coolant System</i>	<i>Engine</i>	<i>Nameplates and Decals</i>	<i>Oil Pressure Guage</i>	<i>Skid and Plant Mounting</i>	<i>Temperature Switches</i>	<i>Starter</i>
GROUP NO.	101	103	104	105	107	108	109	110	112
SPEC. NO.	VARIATION NUMBER								
80 RZ									
187301	183-2	183-3	183-3	183-7	178-5	183-1	183-2	183-1	—
187302	183-2	183-3	183-3	183-7	178-5	183-3	183-2	183-2	—
187303	183-2	183-3	183-3	183-7	178-5	183-1	183-2	183-1	—
187306	183-2	183-5	183-3	183-12	178-13	183-7	183-2	183-1	—
187307	183-2	183-5	183-3	183-12	178-13	183-3	183-2	183-2	—
187308	183-2	183-5	183-3	183-12	178-13	183-7	183-2	183-1	—
187312	183-2	183-5	183-3	183-19	178-13	183-7	183-3	183-1	—
187313	183-2	183-5	183-3	183-19	178-13	183-3	183-3	183-2	—
187314	183-2	183-5	183-3	183-19	178-13	183-7	183-3	183-1	—
100 RZ									
187401	183-2	183-3	183-4	183-7	178-9	183-1	183-2	183-1	—
187402	183-2	183-3	183-4	183-7	178-9	183-3	183-2	183-2	—
187403	183-2	183-3	183-4	183-7	178-9	183-1	183-2	183-1	—
187406	183-2	183-5	183-4	183-12	178-12	183-7	183-2	183-4	—
187407	183-2	183-5	183-4	183-12	178-12	183-3	183-2	183-5	—
187408	183-2	183-5	183-4	183-12	178-12	183-7	183-2	183-4	—
187412	183-2	183-5	183-4	183-19	178-12	183-7	183-2	183-4	—
187413	183-2	183-5	183-4	183-19	178-12	183-3	183-2	183-5	—
187414	183-2	183-5	183-4	183-19	178-12	183-7	183-2	183-4	—
187418	183-2	183-5	183-12	183-19	178-12	183-3	183-3	183-5	—
187419	183-2	183-5	183-12	183-19	178-12	183-7	183-3	183-4	—
187420	183-2	183-5	183-4	183-24	178-12	183-7	183-2	183-4	—
187421	183-2	183-5	183-12	183-19	178-12	183-7	183-3	183-4	—

SPECIFICATION NUMBER INDEX

GROUP TITLE & NUMBER	<i>Alternator</i>	<i>Exhaust</i>	<i>Generator and Mounting</i>	<i>Controller and Mounting</i>	<i>Literature</i>				
GROUP NO.	113	116	201	301	701				
SPEC. NO.	VARIATION NUMBER								
80 RZ									
187301	183-1	183-2	178-23	179-11	183-2				
187302	183-1	183-2	178-23	179-17	183-2				
187303	183-1	183-2	178-23	179-12	183-2				
187306	183-3	183-4	178-23	179-11	183-2				
187307	183-1	183-4	178-23	179-17	183-8				
187308	183-1	183-4	178-23	179-12	183-8				
187312	183-2	183-4	178-23	179-11	183-2				
187313	183-2	183-4	178-23	179-17	183-8				
187314	183-2	183-4	178-23	179-12	183-8				
100 RZ									
187401	183-1	183-3	178-24	178-13	183-4				
187402	183-1	183-3	178-24	179-17	183-4				
187403	183-1	183-3	178-24	178-14	183-4				
187406	183-3	183-5	178-24	178-13	183-4				
187407	183-1	183-5	178-24	179-17	183-9				
187408	183-1	183-5	178-24	178-14	183-9				
187412	183-2	183-5	178-24	178-13	183-4				
187413	183-2	183-5	178-24	179-17	183-9				
187414	183-2	183-5	178-24	178-14	183-9				
187418	183-2	183-5	178-24	179-17	183-9				
187419	183-2	183-5	178-24	178-14	183-9				
187420	183-2	183-5	178-38	178-29	183-13				
187421	183-2	183-5	178-24	178-13	183-4				

This page intentionally left blank.

Introduction

This manual contains a complete listing of generator service replacement parts for the Kohler 20-100RZ Ford powered generator sets. The manual includes the following main sections:

- *Table of Contents:* The table of contents lists the sections of this catalog.
- *Index:* Index of specifications and their groups.
- *Introduction (and other information sections):* Introductory material, followed by sections on specification numbers, part numbers and hardware.
- *Common Hardware List:* List of common hardware and their Kohler part numbers.
- *Group Parts Lists:* List specific parts for the groups. Illustrations are given for most parts.
- *Kit List and kits sections:* Contain lists of kits (by model) and their parts.

Number Significance

Various numbering systems are used. A description of these follows:

- *Specification Number:* The generator specification number (spec number) is six digits with a PA-, PB- or PE- prefix (prefixes are not used in the Specification Number Index). The first three digits designate generator size and engine model (specification series). The remaining digits are issued in sequence and identify a particular spec in a series. Spec numbers break down into groups.
- *Group Number:* A group consists of related parts needed to provide one or more related functions. For example, the 103 group is the generator Fuel System group.
- *Variation Number:* A group might have several variations. The variations provide the same function, however, with minor differences. For example, dry air cleaner or oil bath air cleaner both perform the same function. However, they use different parts. Each of these differences necessitates the assignment of a group variation number.
- *Part Number:* The part number identifies an individual assembly, subassembly, component, or accessory kit.

Exploded View Drawings

● *Exploded view drawings:* Each Group Parts List in this catalog is accompanied by one or more drawings which best represent a range of variations. The drawings are a guide to part identification—they are not intended for assembly, disassembly, or maintenance. **Generator Service and other manuals are the proper guides for assembly and maintenance.**

Some parts are drawn out of proportion to distinguish them. Some common parts are not drawn in detail. For example, the image of a hex cap screw is used to represent a range of screws. Use the text description and part number to completely identify a part.

How to Find Part Numbers

FOLLOW THESE STEPS to identify a part:

STEP 1: Turn to the Specification Number Index in the front of the catalog. There you will find a table of spec numbers (grouped by model and listed vertically on the left) and the variations that comprise the groups of each spec number (listed horizontally). Find your spec number and read across the page to see

the variation numbers for the groups (identified by column headings).

STEP 2: Using the page number in the Table of Contents, turn to the group parts list in which the desired part belongs. Use the drawings and itemized text to locate the part and its part number.

Hardware Grades

All hex. head screws are hardness grade 5, except where noted. Socket head screws are similar to grade 8. All other hardware is grade 2, except where noted. **Do not substitute with inferior grade**

hardware. Refer to the following sections on Kohler Specification G-585, Common Hardware Application Guidelines, and Common Hardware Identification.

Hardware References

As of late 1991, many common hardware items will appear in parts catalogs as **common hardware entries** or **hardware references**. A common hardware entry simply tells the size of common hardware to be applied in accordance with Kohler specification G-585 and other hardware guidelines herein. For example, item 2 (nut) in Figure 1 below would appear as "3/8-16 hardware" in the text. It indicates that the nut is 3/8-16 size. See "Common Hardware Application Guidelines, Specification

G-585" on the following pages.

A hardware reference has the abbreviation "ref." in the part's description. Hardware references specify common hardware items that would otherwise be indicated in a common hardware entry, except that size or other information needs specification in that application. For example, item 1 in Figure 1 below might appear in the text as "Screw, 3/8-16 x 1, ref. X-6021-1."

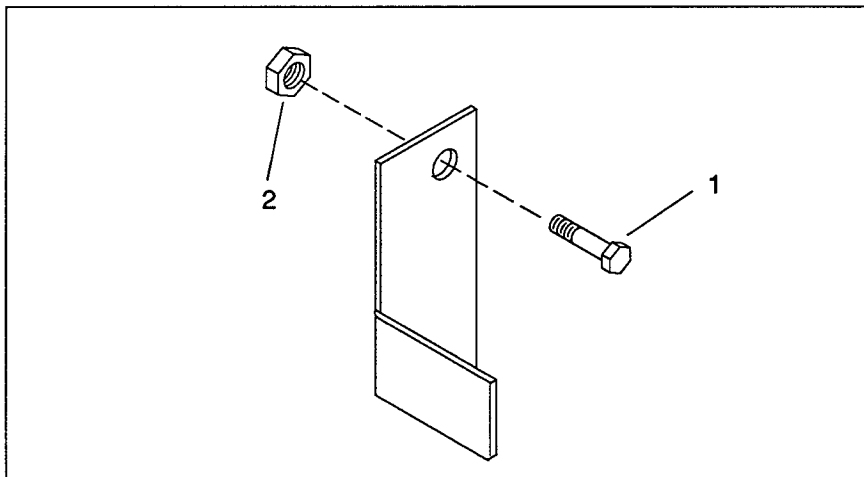


Figure 1. Hardware References

Common Hardware Application Guidelines, Specification G-585

Starting late 1991, many Parts Catalogs and Service Manuals will contain common hardware entries and hardware references (see "Hardware References") instead of part numbers for common hardware.

Kohler Specification G-585 gives common hardware application guidelines. Use the information below and on the following pages to identify proper fastening techniques when no specific reference for reassembly is made.

• **Bolt/Screw Length:** When bolt/screw length is not given, use Figure 2 as a guide. As a general rule, a minimum length of one thread beyond the nut and a

maximum length of 1/2 the bolt/screw diameter beyond the nut is the preferred method.

• **Split Lock Washers:** Split lock washers will no longer be used as a locking device. For hardware up to 1/2" in diameter a whiz nut (serrated flange) will be used. The locking method used for hardware above 1/2" in diameter will be SAE flat washers with preloading (torque) of the bolt/screw. See "General Torque Specifications" and other torque specifications in the service literature.

• **Common Hardware Entries:** When hardware size (diameter and threads per inch) is given but no indication of type of additional hardware is shown, use the illustration in Figure 3 as a guide.

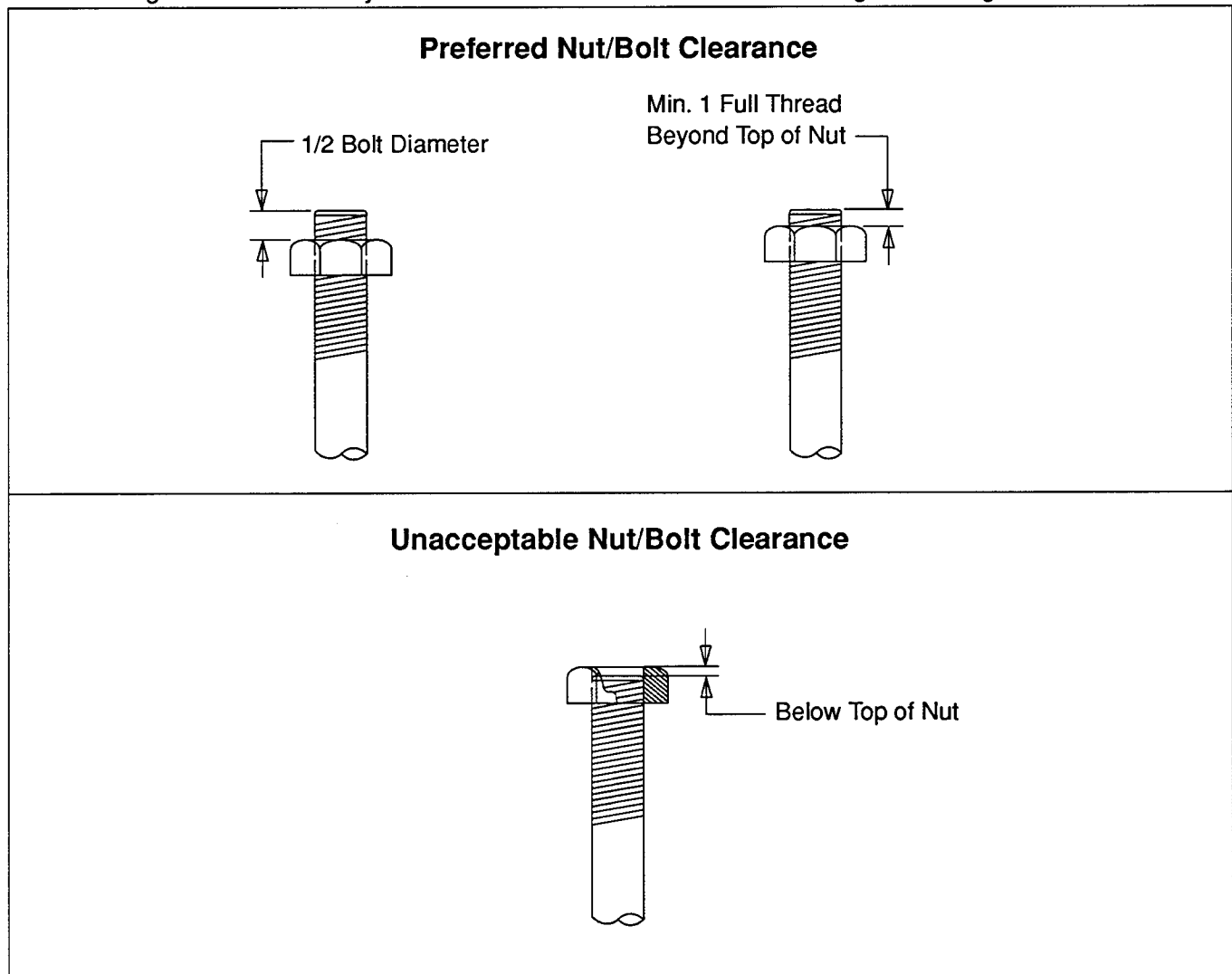


Figure 2. Acceptable Bolt Lengths

Common Hardware Application (G-585)

Steps for common hardware application:

1. Determine entry hole type: round, or slotted.
2. Determine exit hole type: fixed female thread (weld nut), round, or slotted.

For round and slotted exit holes, determine if hardware is greater than 1/2 inch in diameter, or 1/2 inch in diameter or less. Hardware that is *greater than 1/2 inch* in diameter takes a standard nut and SAE washer. Hardware *1/2 inch or less* in diameter can take a properly torqued whiz nut. See the diagram below.

3. Follow these SAE washer rules after determining exit hole type:
 - a. Always use a washer between hardware and a slot.
 - b. Always use a washer under a nut (see 2. above for exception).
 - c. Use a washer under a bolt when the female thread is fixed (weld nut).
4. Refer to the diagram below, which depicts the preceding hardware configuration possibilities.

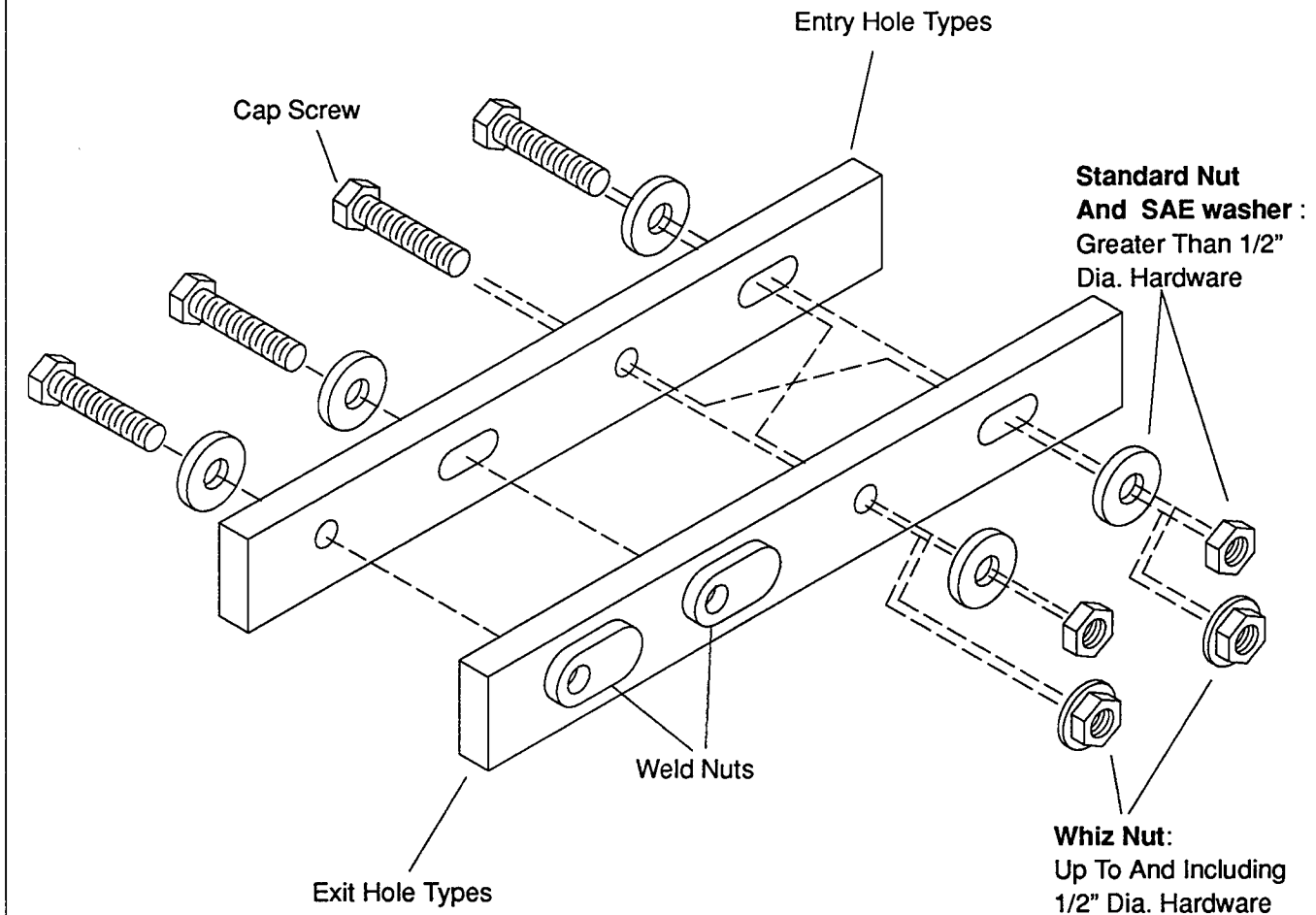


Figure 3. Acceptable Hardware Combinations

Nuts STYLES



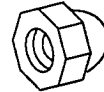
Hex. Head



Lock Nut or
Nylock Nut



Square Nut



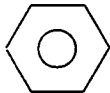
Cap Nut or
Acorn Nut



Wing Nut

GRADE (HARDNESS)

American Standard

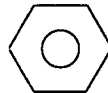


Grade 2

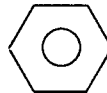


Grade 5

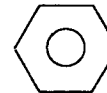
Metric



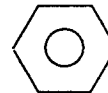
6.8



8.8



10.9



12.9

SAMPLE DIMENSIONS

American Standard

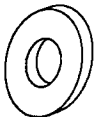
Major Thread Diameter In Fractional 1/4-20 Threads Per Inch
Inches Or Screw Number Size

Metric

Major Thread Diameter In Millimeters M8-1.25 Distance Between Threads In Millimeters

Washers

STYLES



Plain
Washer



Split Lock
Washer or
Spring Washer



Spring Washer
or Wave Washer



External
Tooth Lock
Washer



Internal
Tooth Lock
Washer



Internal-External
Tooth Lock Washer

GRADE (HARDNESS)

There is no marking to identify hardness. Usually hardened washers have a black oxide or black phosphate finish rather than a zinc (silver-colored) finish.

SAMPLE DIMENSIONS

Plain Washers

Internal Dimension 9/32 x 5/8 x 1/16 Thickness
External Dimension

Lock Washers

5/8
Internal Dimension

Figure 5. Nuts and Washers

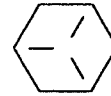
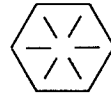
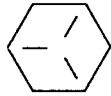
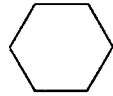
General Torque Specifications

The values given are for clean, dry threads.

AMERICAN STANDARD

Assembled in Cast Iron or Steel

Assembled in Aluminum



Size	Measurement	Grade 2	Grade 5	Grade 8	Grade 2 or 5
8-32	in. lbs. (Nm)	20 (2.3)	25 (2.8)	-	20(2.3)
10-24	in. lbs. (Nm)	32 (3.6)	40 (4.5)	-	32(3.6)
10-32	in. lbs. (Nm)	32 (3.6)	40 (4.5)	-	-
1/4-20	in. lbs. (Nm)	70 (7.9)	115 (13)	165 (18.6)	70(7.9)
1/4-28	in. lbs. (Nm)	85 (9.6)	140 (15.8)	200 (22.6)	-
5/16-18	in. lbs. (Nm)	150 (17)	250 (28.2)	350 (40)	150 (17)
5/16-24	in. lbs. (Nm)	165 (18.6)	270 (30.5)	360 (41)	-
3/8-16	ft. lbs. (Nm)	22 (30)	35 (45)	50 (65)	
3/8-24	ft. lbs. (Nm)	25 (35)	40 (54)	60 (80)	
7/16-14	ft. lbs. (Nm)	35 (45)	55 (75)	80 (108)	
7/16-20	ft. lbs. (Nm)	45 (54)	75 (105)	105 (142)	
1/2-13	ft. lbs. (Nm)	50 (65)	80 (110)	115 (155)	
1/2-20	ft. lbs. (Nm)	70 (95)	105 (140)	165 (224)	
9/16-12	ft. lbs. (Nm)	75 (105)	125 (165)	175 (237)	
9/16-18	ft. lbs. (Nm)	100 (136)	165 (224)	230 (312)	
5/8-11	ft. lbs. (Nm)	110 (149)	180 (244)	260 (353)	
5/8-18	ft. lbs. (Nm)	140 (190)	230 (312)	330 (447)	
3/4-10	ft. lbs. (Nm)	150 (203)	245 (322)	350 (475)	
3/4-16	ft. lbs. (Nm)	200 (271)	325 (440)	470 (637)	

Sample Dimensions

American Standard

Major Thread Diameter In Fractional $\frac{1}{4}-20 \times 1$ Length In Inches
 Inches Or Screw Number Size Threads Per Inch

Common Hardware List

The Common Hardware List gives Kohler part numbers and dimensions for common hardware items.

HEX BOLTS (GRADE 5)

<u>Part No.</u>	<u>Dimensions</u>	<u>Part No.</u>	<u>Dimensions</u>
X-465-17	1/4-20 X .38	X-6238-18	3/8-16 X 5.50
X-465-6	1/4-20 X .50	X-6238-25	3/8-16 X 6.50
X-465-2	1/4-20 X .62	X-6238-16	3/8-24 X 1.25
X-465-16	1/4-20 X .75	X-6238-21	3/8-24 X 4.00
X-465-18	1/4-20 X .88	X-6238-22	3/8-24 X 4.50
X-465-7	1/4-20 X 1.00		
X-465-8	1/4-20 X 1.25	X-6024-5	7/16-14 X .75
X-465-9	1/4-20 X 1.50	X-6024-2	7/16-14 X 1.00
X-465-10	1/4-20 X 1.75	X-6024-8	7/16-14 X 1.25
X-465-11	1/4-20 X 2.00	X-6024-3	7/16-14 X 1.50
X-465-12	1/4-20 X 2.25	X-6024-4	7/16-14 X 2.00
X-465-14	1/4-20 X 2.75		
X-465-21	1/4-20 X 5.00	X-129-15	1/2-13 X .75
X-465-20	1/4-28 X 1.00	X-129-17	1/2-13 X 1.00
		X-129-18	1/2-13 X 1.25
X-125-33	5/16-18 X .50	X-129-19	1/2-13 X 1.50
X-125-23	5/16-18 X .62	X-129-20	1/2-13 X 1.75
X-125-3	5/16-18 X .75	X-129-21	1/2-13 X 2.00
X-125-31	5/16-18 X .88	X-129-22	1/2-13 X 2.25
X-125-5	5/16-18 X 1.00	X-129-23	1/2-13 X 2.50
X-125-24	5/16-18 X 1.25	X-129-24	1/2-13 X 2.75
X-125-34	5/16-18 X 1.50	X-129-25	1/2-13 X 3.00
X-125-25	5/16-18 X 1.75	X-129-27	1/2-13 X 3.50
X-125-26	5/16-18 X 2.00	X-129-29	1/2-13 X 4.00
		X-129-30	1/2-13 X 4.50
230578	5/16-18 X 2.25	X-463-9	1/2-13 X 5.50
		X-129-44	1/2-13 X 6.00
X-125-29	5/16-18 X 2.50	X-129-51	1/2-20 X .75
X-125-27	5/16-18 X 2.75	X-129-45	1/2-20 X 1.25
X-125-28	5/16-18 X 3.00		
X-125-22	5/16-18 X 4.50	X-6021-3	5/8-11 X 1.00
X-125-32	5/16-18 X 5.00	X-6021-4	5/8-11 X 1.25
X-125-35	5/16-18 X 5.50	X-6021-2	5/8-11 X 1.50
X-125-36	5/16-18 X 6.00	X-6021-1	5/8-11 X 1.75
X-125-40	5/16-18 X 6.50		
X-125-30	5/16-24 X .75	273049	5/8-11 X 2.00
X-125-39	5/16-24 X 2.00		
X-125-38	5/16-24 X 2.75	X-6021-5	5/8-11 X 2.25
		X-6021-6	5/8-11 X 2.50
X-6238-2	3/8-16 X .62	X-6021-7	5/8-11 X 2.75
X-6238-10	3/8-16 X .75	X-6021-11	5/8-11 X 4.50
X-6238-3	3/8-16 X .88	X-6021-10	5/8-11 X 6.00
X-6238-11	3/8-16 X 1.00	X-6021-9	5/8-18 X 2.50
X-6238-4	3/8-16 X 1.25		
X-6238-5	3/8-16 X 1.50	X-6239-1	3/4-10 X 1.00
X-6238-1	3/8-16 X 1.75	X-6239-8	3/4-10 X 1.25
X-6238-6	3/8-16 X 2.00	X-6239-2	3/4-10 X 1.50
X-6238-17	3/8-16 X 2.25	X-6239-3	3/4-10 X 2.00
X-6238-7	3/8-16 X 2.50	X-6239-4	3/4-10 X 2.50
X-6238-8	3/8-16 X 2.75	X-6239-5	3/4-10 X 3.00
X-6238-9	3/8-16 X 3.00	X-6239-6	3/4-10 X 3.50
X-6238-19	3/8-16 X 3.25		
X-6238-12	3/8-16 X 3.50	X-792-1	1-8 X 2.25
X-6238-20	3/8-16 X 3.75	X-792-5	1-8 X 3.00
X-6238-13	3/8-16 X 4.50	X-792-8	1-8 X 5.00

Common Hardware List

Nuts

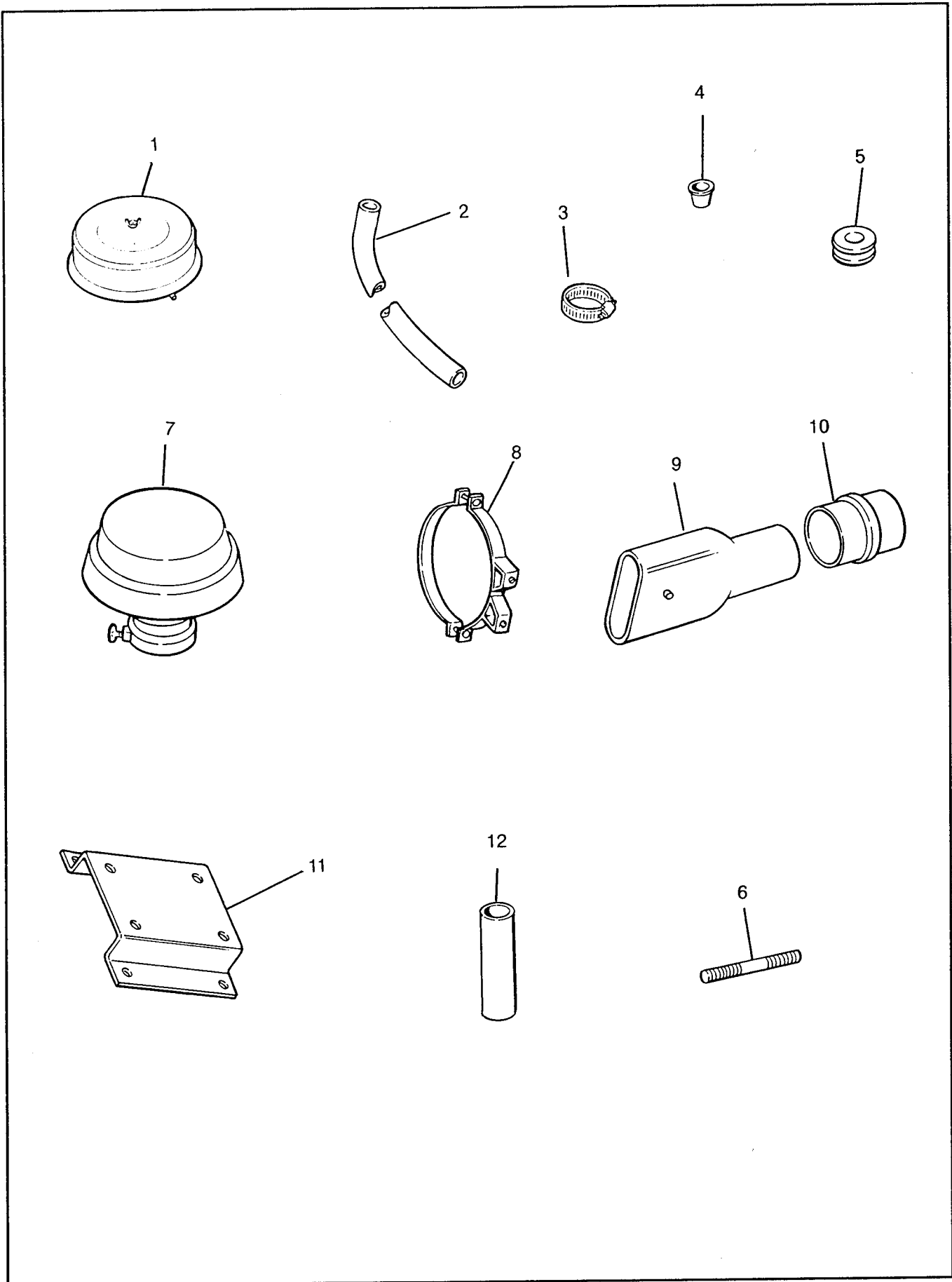
<u>Part No.</u>	<u>Dimensions</u>	<u>Type</u>
X-6009-1	1-8	Std. Nut
X-6210-3	6-32	Whiz Nut
X-6210-4	8-32	Whiz Nut
X-6210-5	10-24	Whiz Nut
X-6210-1	10-32	Whiz Nut
X-6210-2	1/4-20	Whiz Nut
X-6210-6	1/4-28	Whiz Nut
X-6210-7	5/16-18	Whiz Nut
X-6210-8	5/16-24	Whiz Nut
X-6210-9	3/8-16	Whiz Nut
X-6210-10	3/8-24	Whiz Nut
X-6210-11	7/16-14	Whiz Nut
X-6210-12	1/2-13	Whiz Nut
X-85-3	5/8-11	Std. Nut
X-88-12	3/4-10	Std. Nut
X-89-2	1/2-20	Std. Nut

NOTE: 6-32 and 8-32 standard nuts must be used for circuit board mountings and some controller assembly applications and are not classified as common hardware. For this reason they are not on this list.

Flat Washers

<u>Part No.</u>	<u>Inner Diameter</u>	<u>Outer Diameter</u>	<u>Thickness</u>	<u>Bolt/Screw</u>
X-25-46	0.125	0.250	0.022	#4
X-25-9	0.156	0.375	0.049	#6
X-25-48	0.188	0.438	0.049	#8
X-25-36	0.219	0.500	0.049	#10
X-25-40	0.281	0.625	0.065	1/4
X-25-85	0.344	0.687	0.065	5/16
X-25-37	0.406	0.812	0.065	3/8
X-25-34	0.469	0.922	0.065	7/16
X-25-26	0.531	1.062	0.095	1/2
X-25-15	0.656	1.312	0.095	5/8
X-25-29	0.812	1.469	0.134	3/4
X-25-127	1.062	2.000	0.134	1

Group 101: Air Intake

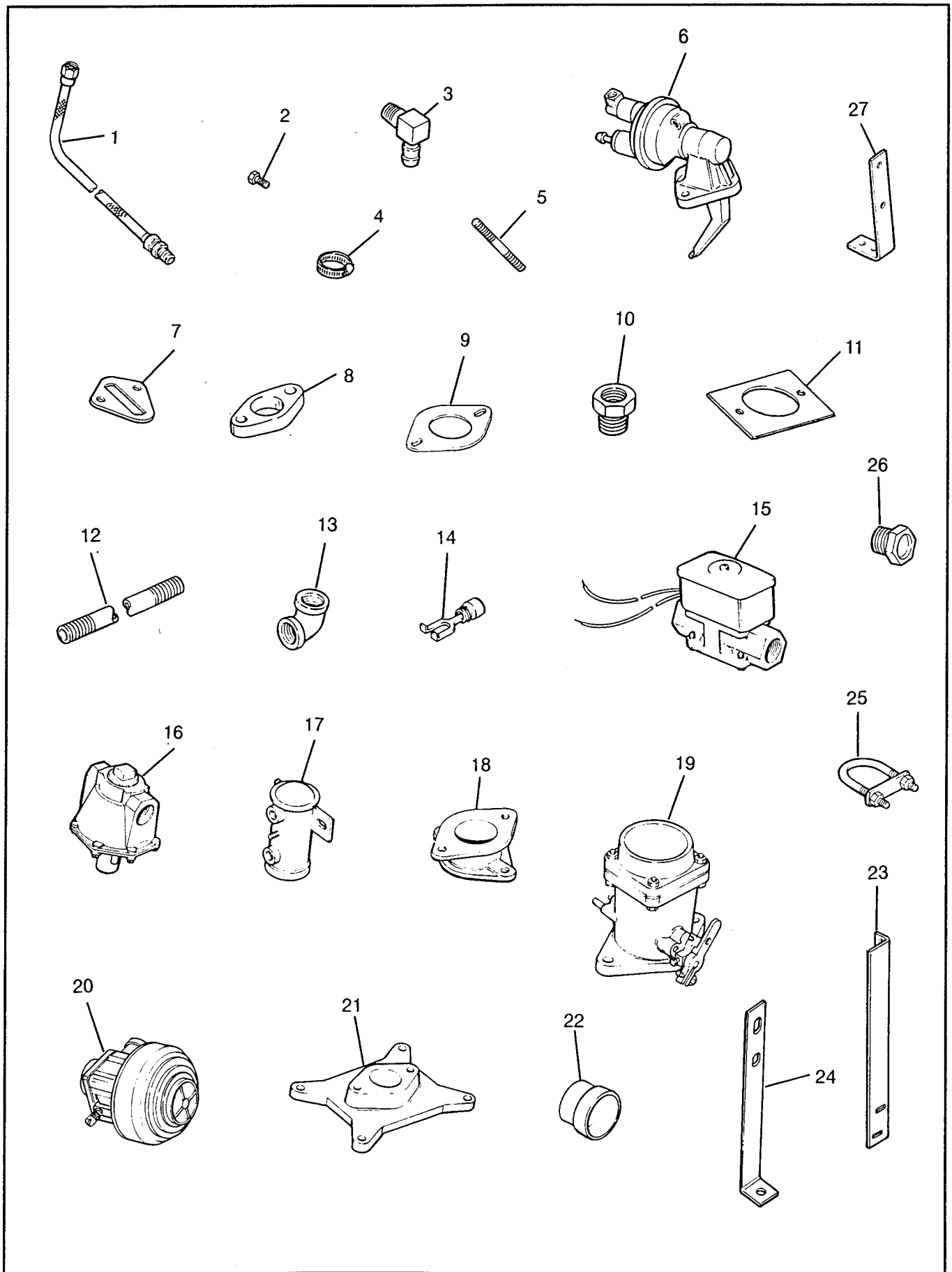


Group 101: Air Intake

Item	Qty.	Description Variation	Part No.
1	1	Cleaner, assembly air 183-2, 183-4	255665
	1	Filter 183-2	258448
	1	Cleaner, assembly air 179-1, 181-1, 183-1	A-269441
	1	Filter 179-1, 181-1, 183-1	258423
2	1	Line, flex fuel 181-1	X-386-10
3	2	Clamp, hose 179-1, 181-1	X-426-10
	1	Clamp, hose 183-2	X-426-14
4	1	Cap, plug 183-1, 183-4	X-519-13
5	1	Grommet 183-2	X-284-24

Item	Qty.	Description Variation	Part No.
6	1	Stud, 1/4-20 x 3-1/8" 183-2	X-352-13
	1	Nut, wing 1/4-20 (not shown) 183-2	X-276-7
	1	Nut, wing 179-1, 181-1, 183-1	254457
7	2	Cap, rain 183-2	253668
8	1	Mount, air cleaner 183-2	253674
9	1	Duct, air 183-2	255515
10	1	Hose, hump 183-2	255516
11	1	Bracket, support 183-2	255561
12	1	Hose, molded 181-1	256870

Group 103: Fuel System

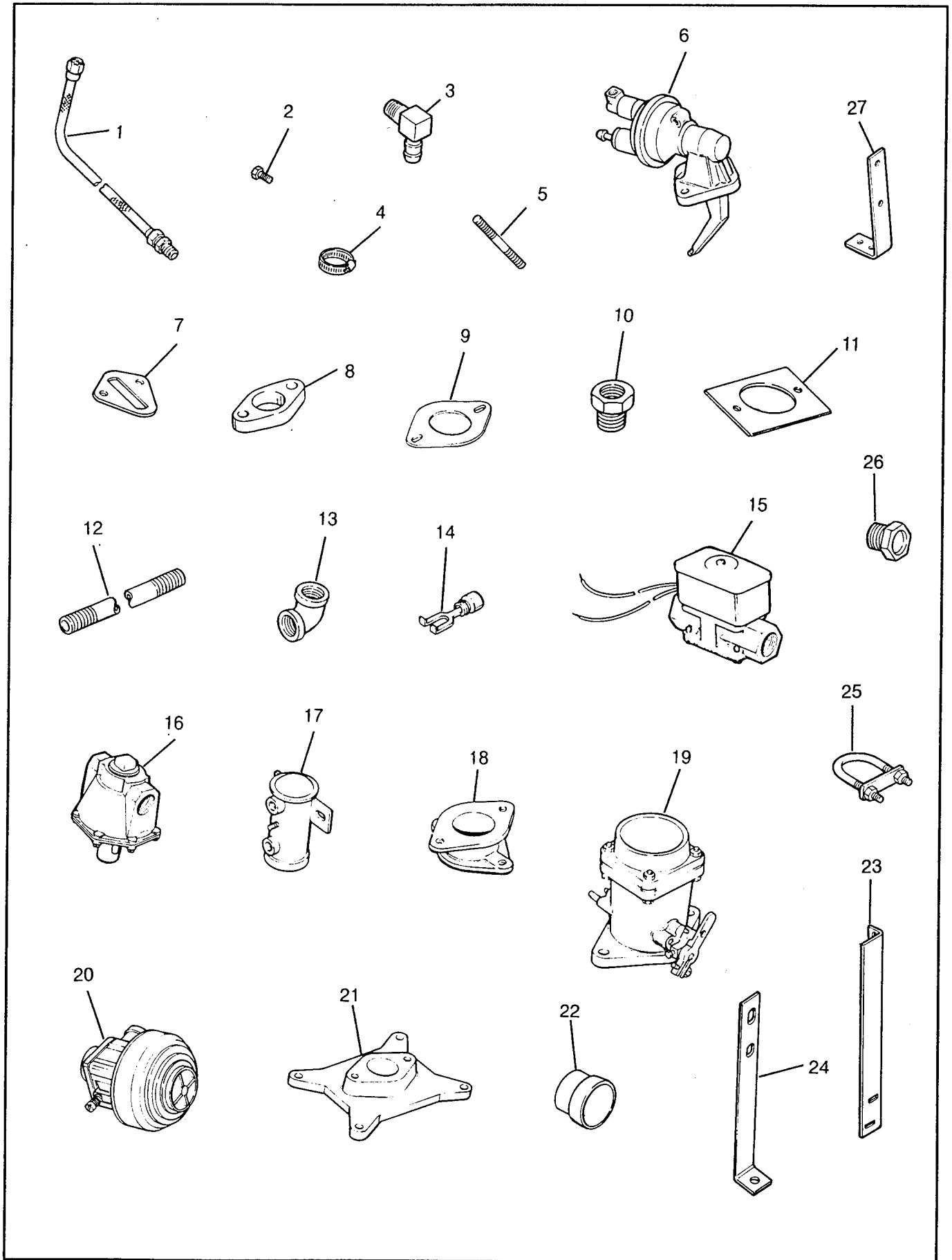


Group 103: Fuel System

Item	Qty.	Description Variation	Part No.
1	1	Line, flexible fuel (gasoline) 181-1	254493
	1	Line, flexible fuel (gasoline) 179-1	X-386-35
	1	Line, flexible fuel (gasoline) 183-1	X-386-69
	1	Line, flexible fuel (gasoline) 179-2, 183-2	X-504-18
	4	Line, flexible fuel 183-3, 183-4, 183-5	X-504-20
	1	Line, flexible fuel (gasoline) 181-2	X-504-12
2	2	Screw, H.C. 5/16-18 x 1-3/8" 183-3	X-6-34
	2	Screw, H.C. 5/16-18 x 1" 183-3	X-6-7
	1	Screw, H.C. 7/16-14 x 1-1/4" 183-3	X-8-10
	2	Screw, H.C. 7/16 x 1" 183-3	X-8-7
	1	Screw, H.C. 1/2 x 1-1/2" 183-3	X-9-8
3	2	Connector, hose (gasoline) 179-1	X-391-1
	1	Connector, hose 183-1	X-391-1
	1	Connector, hose (gasoline) 179-1	X-380-1
4	2	Clamp, hose 183-3, 183-5	X-426-2
	1	Clamp, hose (gasoline) 179-1, 183-1	X-426-9

Item	Qty.	Description Variation	Part No.
5	1	Stud 181-1, 181-2	X-6054-6
6	1	Pump, fuel (gasoline) 181-1	255243
7	1	Gasket, fuel pump 181-1	255244
8	1	Spacer 181-1, 181-2	255595
9	2	Gasket, carburetor 181-1	280007
	1	Gasket, carburetor 181-2	280007
	2	Gasket, carburetor (gasoline) 179-1, 183-1	280494
	1	Gasket, carburetor (gas) 183-1, 183-2	291430
	1	Gasket, adaptor (gasoline) 183-1, 183-2, 183-4, 183-5	276082
10	1	Bushing, reducer 181-2	X-202-23
	1	Bushing, reducer 183-2, 183-3, 183-4, 183-5	X-202-1
	1	Bushing, reducer 183-3, 183-4, 183-5	X-202-32
11	1	Spacer, carburetor 183-1	291770
12	1	Nipple, pipe 3/8 x 8" 181-2	X-204-17
	1	Nipple, pipe 3/8 x 1-1/2" 181-2	X-204-8
	1	Nipple, pipe 3/8 x 1" 181-2	X-204-9
	1	Nipple, pipe 3/4 x 6" 183-2	X-206-15
	1	Nipple, pipe 3/4 x 10-1/2" 179-2, 183-2	X-206-16
	1	Nipple, pipe 3/4 x 3-1/2" 183-2	X-206-6

Group 103: Fuel System

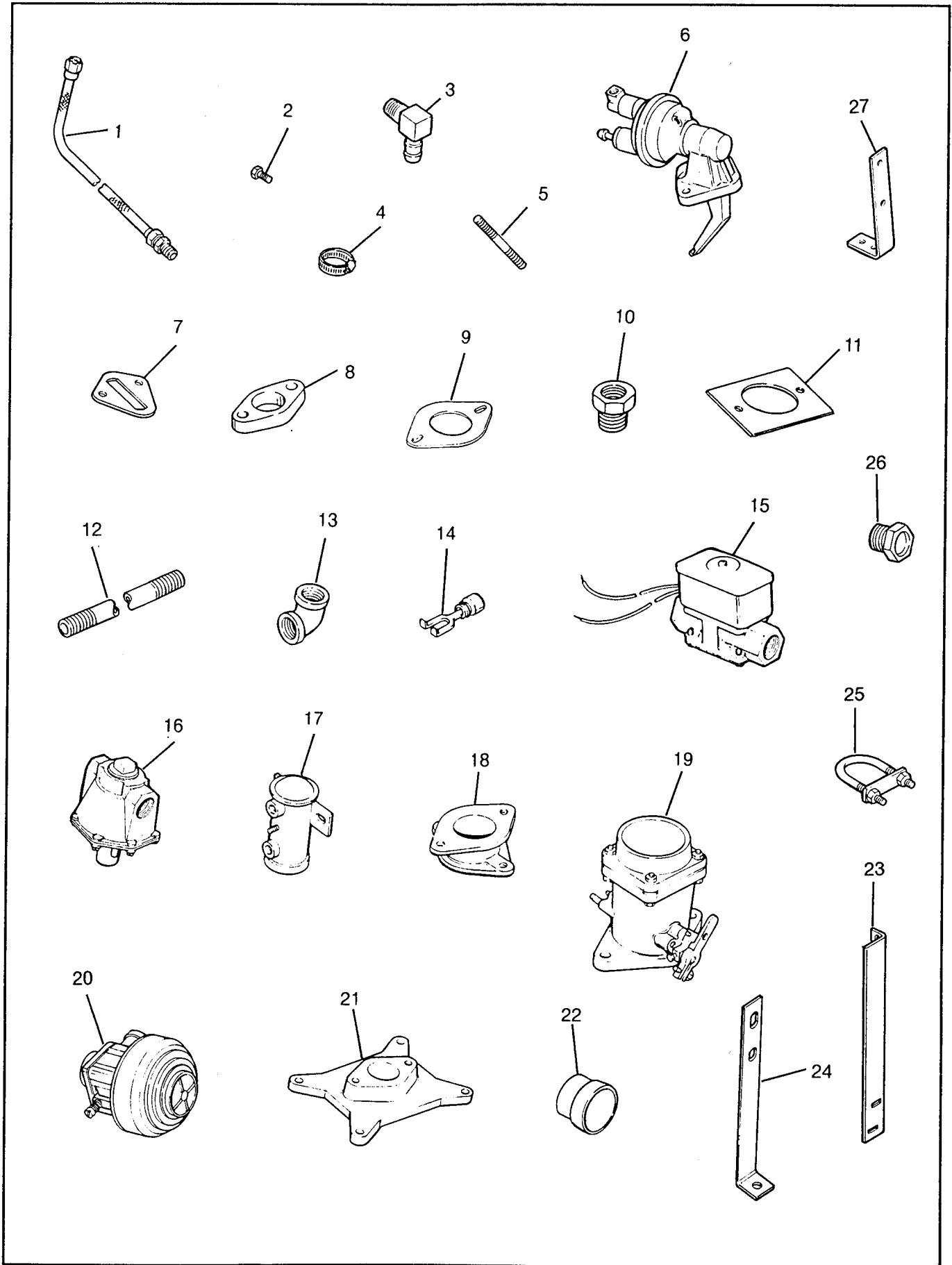


Group 103: Fuel System

Item	Qty.	Description Variation	Part No.
	1	Nipple, pipe 3/4 x 1-3/8" 183-2, 183-4	X-206-9
	1	Nipple, pipe 1/2 x 1-1/2" 179-2, 183-2	X-209-5
	1	Nipple, pipe 1 x 4" 183-4	X-218-13
	1	Nipple, pipe 1 x 1-1/2" 183-4	X-218-24
	1	Nipple, pipe 1 x 8" 183-3, 183-5	X-218-26
	1	Nipple, pipe 183-3, 183-4, 183-5	X-218-27
	1	Nipple, pipe 183-5	X-218-28
	2	Nipple, pipe 1 x 6-1/2" 183-3, 183-4	X-218-9
13	1	Elbow, pipe 1" 183-3	X-215-15
	2	Elbow, pipe 1" 183-4, 183-5	X-215-15
	1	Elbow, pipe 3/4" 179-2, 183-2	X-215-2
	1	Elbow 1/2-20 x 1/8" 181-1	X-447-4
	1	Elbow, 45 degrees 183-3, 183-4	X-225-9
	1	Elbow, 45 degrees 183-2	X-225-8
	1	Elbow 179-2	X-274-2
	2	Elbow 181-1, 181-2	X-215-9
14	1	Terminal 183-2, 183-4	X-283-5
	1	Terminal 181-2	X-283-6
	1	Terminal 183-3, 183-5	X-285-6
	1	Terminal 179-1, 183-1, 183-2, 183-4	X-367-1
15	1	Valve, gas 179-2, 181-2	244621

Item	Qty.	Description Variation	Part No.
	1	Valve, gas 183-2	244914
	1	Valve, gas 183-3	A-286741
	1	Valve, gas 183-4, 183-5 179-2, 181-2, 183-2	A-254469
16	1	Regulator, pressure (gas) 183-3, 183-4, 183-5	291260
	1	Regulator, pressure (gas) 179-2, 181-2	291259
17	1	Pump, electric fuel (gas) 179-1	247076
18	1	Adapter, carburetor (gas) 179-1	279013
	1	Adapter, carburetor (gasoline) 183-1, 183-2	291769
	1	Adapter (gas only) 183-1, 183-2	276081
19	1	Body, throttle 183-3, 183-5	A-255517
20	1	Body, mixer 183-3, 183-5	A-255518
21	1	Adaptor, manifold 183-4, 183-5	255519
22	1	Hose, reducer 183-3, 183-5	255520
23	1	Bracket 183-3, 183-5	255521
24	1	Support, fuel pipe 183-5	255755
25	1	Bolt, U 5/16-18 x 1-1/2" 183-2, 183-4	X-397-1
	2	Bolt, U 5/16-18 x 1-1/2" 183-3, 183-5	X-397-1
26	1	Bushing, reducing 179-2, 183-2	153659
27	1	Bracket, support 183-4, 183-5	276332

Group 103: Fuel System



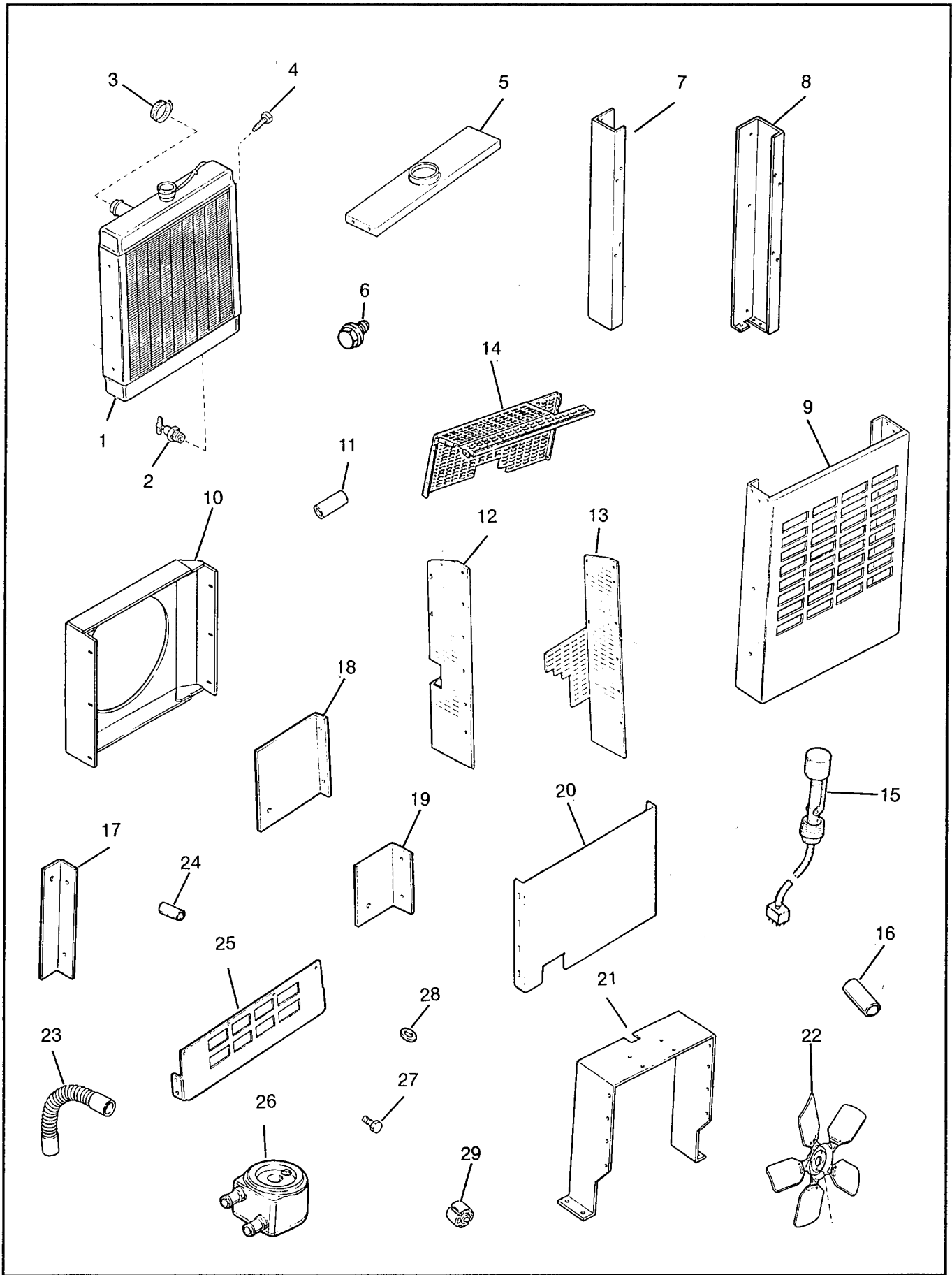
Group 103: Fuel System

Item	Qty.	Description Variation	Part No.
	1	Bracket, support 183-2	291439
	1	Bracket, support 183-3	255534
	1	Bracket, support 183-4	255666
	1	Bracket, support 183-2	276331
28	1	Bracket, fuel valve (gasoline) 179-2, 181-2	254456

**The following items
are not shown.**

Item	Qty.	Description Variation	Part No.
	1	Carburetor assembly (gasoline) 181-1	255245
	1	Carburetor assembly (gas) 181-2	255239
	1	Carburetor assembly (gasoline) 179-1, 183-1	A-291440
	1	Carburetor assembly (gas) 179-2, 183-2	A-291429
	1	Carburetor assembly (70KW) 183-4	A-282913

Group 104: Coolant System

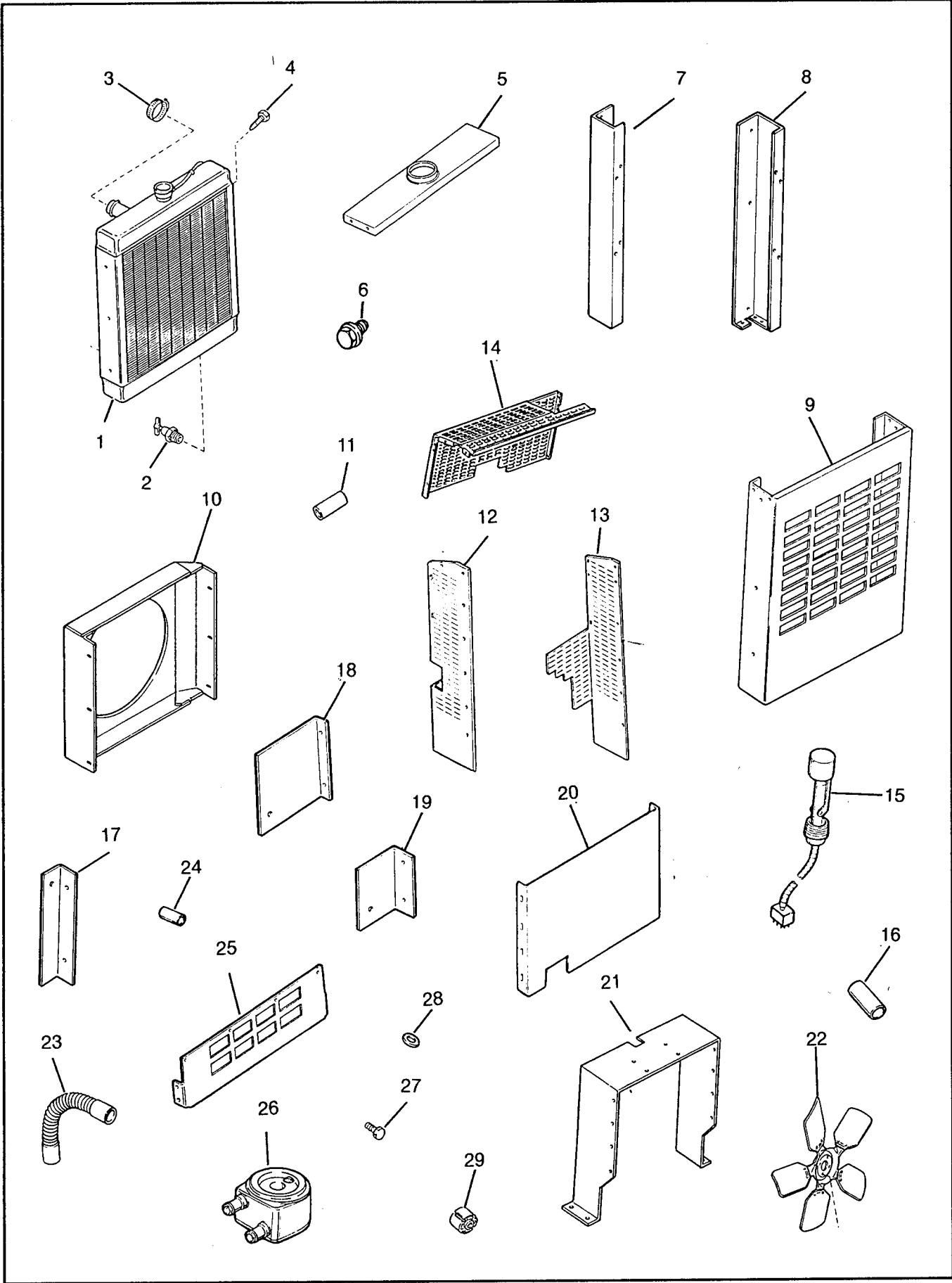


Group 104: Coolant System

Item	Qty.	Description Variation	Part No.
1	1	Radiator assembly 179-3 Cap	A-255604 224365
1	1	Radiator assembly 183-1, 183-4 Cap	A-255605 224365
1	1	Radiator assembly 183-12 Cap	A-255763 224365
1	1	Radiator assembly 181-1 Cap	A-258504 224365
1	1	Radiator assembly 183-3 Cap	A-255765 224365
1	1	Radiator assembly 183-4 Cap	A-276522 224365
2	1	Valve, drain 3/8" 181-1	X-256-1
1	1	Valve, drain 1/4" 179-2, 179-3, 181-1, 183-1, 183-3, 183-4, 184-12	X-256-3
3	2	Clamp, hose 181-1	X-426-10
4	4	Clamp, hose 183-12	X-426-12
2	2	Clamp, hose 179-2, 179-3	X-426-4
1	1	Clamp, hose 183-3, 183-4, 183-12	X-426-4
2	2	Clamp, hose 179-2, 183-3, 183-4	X-426-6
1	1	Clamp, hose 179-3	X-426-6
1	1	Clamp, hose 181-1	X-426-8
2	2	Clamp, hose 183-1	249887
1	1	Clamp, hose 183-12	249887
2	2	Clamp, hose 183-1	249888

Item	Qty.	Description Variation	Part No.
1	1	Clamp, hose 179-3, 183-12, 183-3	250081
1	1	Clamp, hose 183-12	279604
4	13	Screw, drill hex. 179-2	X-794-1
28	28	Screw, drill hex. 181-1	X-794-1
30	30	Screw, drill hex. 179-3	X-794-1
34	34	Screw, drill hex. 183-1, 183-3	X-794-1
42	42	Screw, drill hex. 183-12	X-794-1
5	1	Cover, radiator 179-3, 181-1, 183-4	253071
1	1	Cover, radiator 183-1, 183-3, 183-12	255298
6	1	Plug 179-3, 181-1, 183-1, 183-3, 183-4, 183-12	253268
7	1	Support, radiator - L.S. 179-3	253539
1	1	Support, radiator - L.S. 183-1	255288
1	1	Support, radiator - L.H. 183-3, 183-12	255528
1	1	Support, radiator - L.S. 181-1	255201
1	1	Support, radiator - L.S. 181-4	273415
8	1	Support, radiator - R.S. 179-3	253538
1	1	Support, radiator - R.S. 181-1	255202
1	1	Support, radiator - R.S. 183-1	255296
1	1	Support, radiator - R.H. 183-3, 183-12	255529
1	1	Support, radiator - R.S. 183-4	273414
9	1	Shroud, radiator 183-12	276341

Group 104: Coolant System

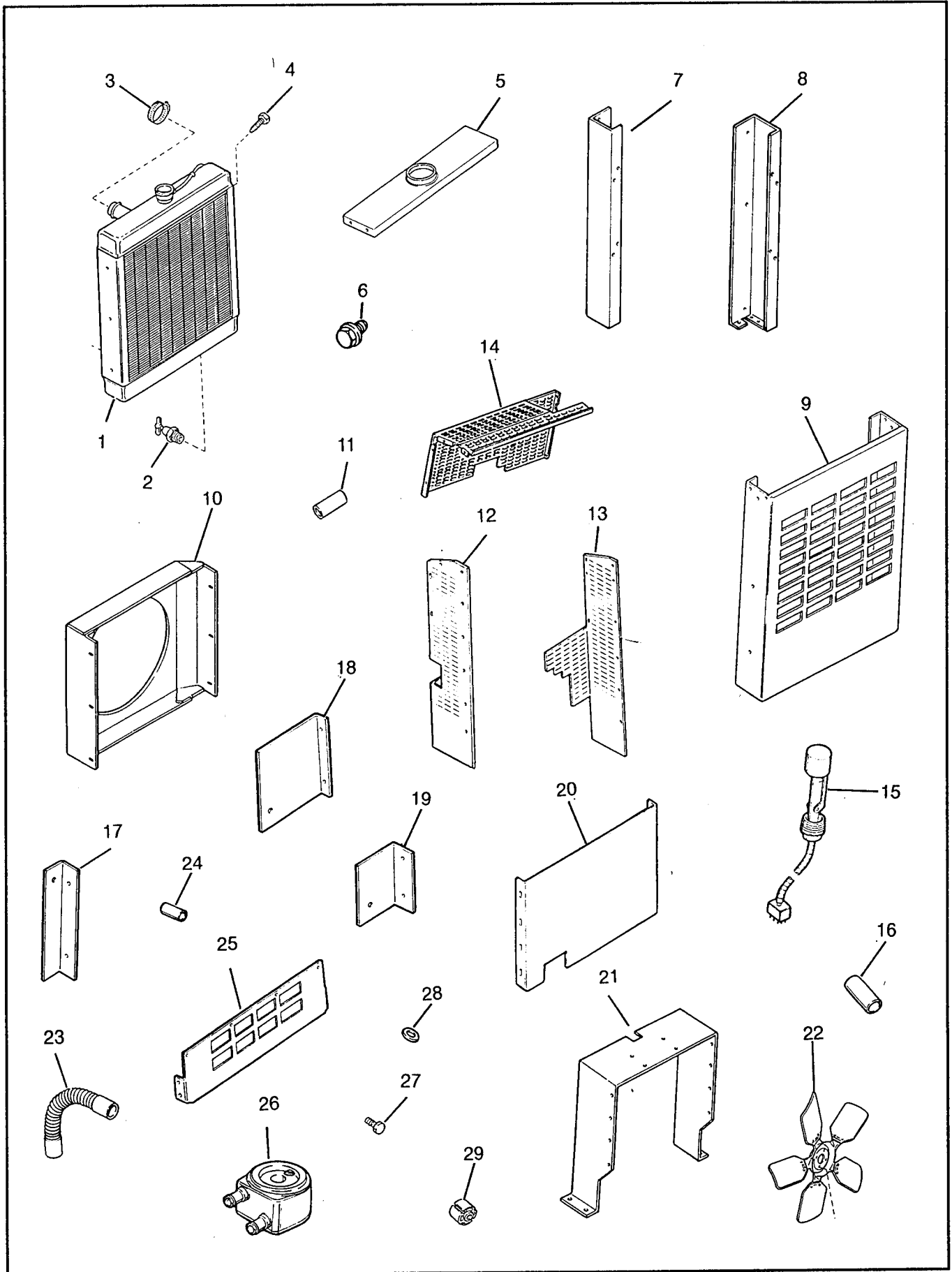


Group 104: Coolant System

Item	Qty.	Description Variation	Part No.
	1	Shroud, radiator 181-1	255203
	1	Shroud, radiator 183-4	273416
	1	Shroud, radiator 183-1, 183-3	255286
	1	Shroud, radiator 179-3	255036
	1	Shroud, radiator 183-3	255529
10	1	Shroud, fan 179-3	255032
	1	Shroud, fan 181-1	255233
	1	Shroud, fan 183-1	255287
	1	Shroud, fan 183-3	255523
	1	Shroud, fan 183-12	255440
	1	Shroud, fan 183-4	273493
11	1	Hose, radiator (lower) 179-3	255172
	1	Hose, radiator 183-3	255603
	1	Hose, radiator (lower) 181-1	276186
	1	Hose, radiator 1.5 x 19" (upper) 183-1	X-6014-2
	1	Hose, radiator 2 x 18" (lower) 183-1	X-6014-3
	1	Hose 2 x 8" (lower) 179-2	X-6014-8
	1	Hose 183-4	273417
	1	Hose 183-4	273418
	1	Hose, radiator (upper) 181-1 183-4	255237

Item	Qty.	Description Variation	Part No.
	1	Hose, radiator (upper) 179-3	255173
	1	Hose, upper radiator 183-12	258837
	12	Guard, fan - R.S. 183-12	258498
	1	Guard, fan - R.S. 183-1, 183-3	258904
	1	Guard, fan - R.S. 183-4	273411
	13	Guard, fan - L.S. 181-1	255267
	1	Guard, fan - L.S. 183-4	273410
	1	Guard, fan - L.S. 183-12	258499
	1	Guard, fan - L.S. 183-1, 183-3	258905
	1	Guard, fan 181-1	276203
	14	Guard, fan top 183-12	258839
	1	Guard, fan top 183-1, 183-3	258906
	1	Guard, fan - top 181-1	255268
	1	Guard, fan - top 183-4	273409
	15	Float switch assembly 12V DC 183-1, 183-3	273520
	1	Float switch assembly 24V DC 183-1, 183-3	273521
	1	Switch assembly, level 183-1, 183-4, 184-12	273404
	16	Hose, 1.75 x 4" 179-2	X-311-7
	17	Guard, belt 179-2	255004
	18	Guard, belt 179-2	255005
	19	Guard, belt 179-2	255006

Group 104: Coolant System

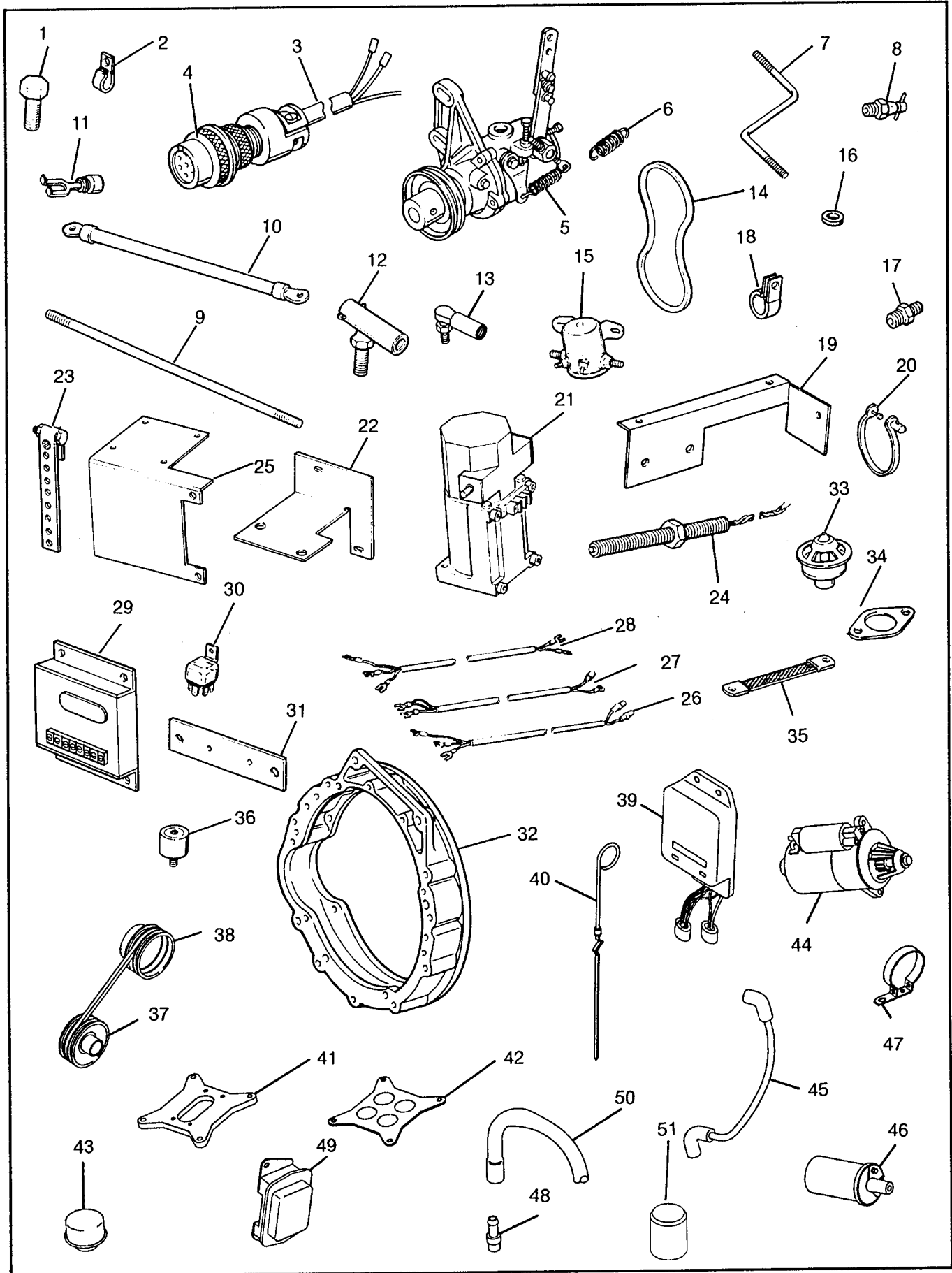


Group 104: Coolant System

Item	Qty.	Description Variation	Part No.
20	1	Guard, belt 179-2	255326
21	1	Bracket, expansion tank 179-2	255325
22	1	Fan 181-1	276101
	1	Fan 183-3, 183-12	255522
	1	Fan 183-1	255651
	1	Fan 183-4	273492
23	1	Hose, flexible 183-3	255531
	1	Hose, radiator (lower) 183-12	255532
24	1	Hose .625 x 21" (oil cooler) 183-12	X-577-24
	1	Hose .625 x 29" (oil cooler) 183-12	X-577-26
25	1	Closure 183-12	276342

Item	Qty.	Description Variation	Part No.
26	1	Cooler, oil 183-12	258794
27	6	Screw, H.C. 5/16 x 1" 183-3	X-6-7
	6	Screw, H.C. 3/8-16 x 3/4" 183-3	X-7-8
28	8	Washer, hardened 183-1, 183-12	X-801-4
	4	Washer, hardened 181-1, 183-4	X-801-4
29	1	Spacer, fan 183-1, 183-12,	276114
	1	Spacer, fan 183-4	273407
	1	Spacer, pulley to fan 181-1	276102
The following items are not shown.			
	1	Adapter, oil cooler 183-12	258795
	2	Spacer, Radiator Support 183-4	273911

Group 105: Engine

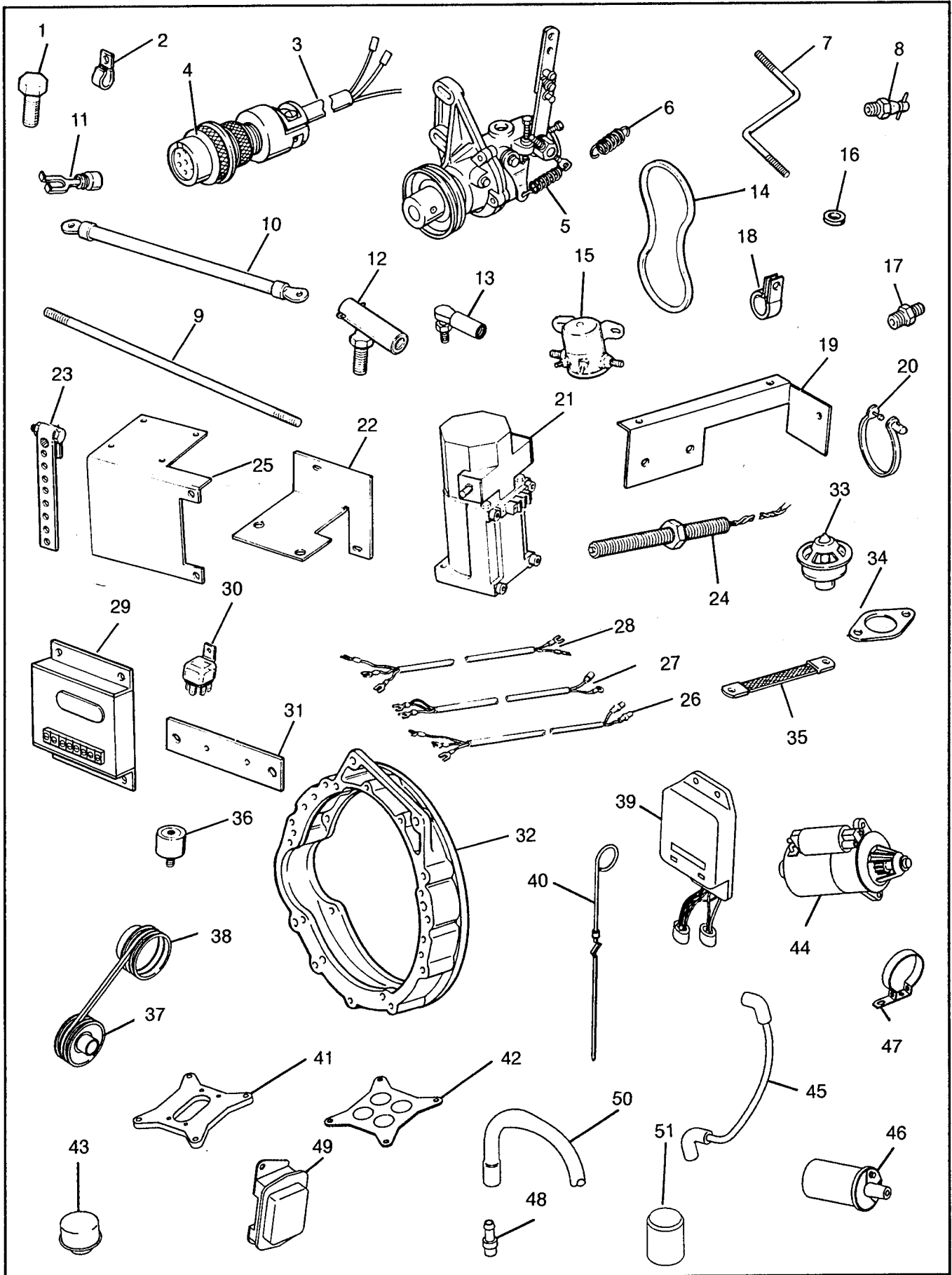


Group 105: Engine

Item	Qty.	Description Variation	Part No.
1	4	Screw, H.C. M16 x 1 x 16 mm 183-7	X-6049-2
	2	Screw, H.C. M8 x 1.25 x 25 mm 181-1	X-6050-4
	1	Screw, H.C. M8 x 1.25 x 25 mm 181-5	X-6050-4
2	1	Clip, "J" 181-1, 181-5	X-6084-1
3	1	Harness, wiring 179-1	255042
	1	Harness, wiring 181-1	255193
	1	Harness, wiring 183-2, 183-7, 183-9, 183-12	255417
	1	Harness, wiring 181-5	255876
	1	Harness, wiring 179-5	255877
	1	Harness, wiring 183-23, 183-24	255914
	1	Harness, wiring 183-17, 183-19	258803
	1	Harness, wiring 181-5, 183-23	276094
4	1	Connector 183-7	286667
5	1	Governor 179-1, 179-5	279046
	1	Governor, assembly electric (gas) 183-2	A-255371
	1	Governor, mechanical 181-1, 181-5	255236
6	1	Spring, governor 181-1, 181-5	255340
7	1	Rod, governor 181-5	276079
	1	Rod, governor 181-1	255881

Item	Qty.	Description Variation	Part No.
8	2	Valve, drain 1/4" 183-2, 183-7, 183-9, 183-12, 183-17, 183-19, 183-23, 183-24	X-256-3
9	1	Stud 183-9, 183-12, 183-17, 183-19, 183-23, 183-24	X-352-46
	1	Stud 179-1, 179-5	X-352-50
	1	Stud 183-2, 183-7	X-352-55
10	1	Cable, battery 179-1, 179-5	X-545-29
	1	Cable, battery 183-9, 183-10, 183-11, 183-12, 183-15, 183-17, 183-18, 183-19, 183-21, 183-23, 183-24	X-545-55
	1	Cable, battery 181-1, 183-2, 183-7	X-545-34
11	1	Terminal 183-11, 183-15, 183-18, 183-21	X-285-5
12	2	Ball, joint 179-1, 179-5, 183-2, 183-7, 183-9, 183-12, 183-17, 183-19, 183-23, 183-24	271097
13	2	Socket 181-5	276093
14	1	Belt, drive 181-5	276139
	1	Belt, V 179-1, 179-5	290554
15	1	Solenoid, starter 179-1, 179-5, 181-1, 181-5, 183-1, 183-2, 183-7, 183-9, 183-12, 183-17, 183-19, 183-23, 183-24	291891
16	4	Spacer 183-9, 183-12, 183-17, 183-19, 183-23, 183-24	X-400-143
	2	Spacer 183-12, 183-19, 183-23, 183-24	X-400-41

Group 105: Engine

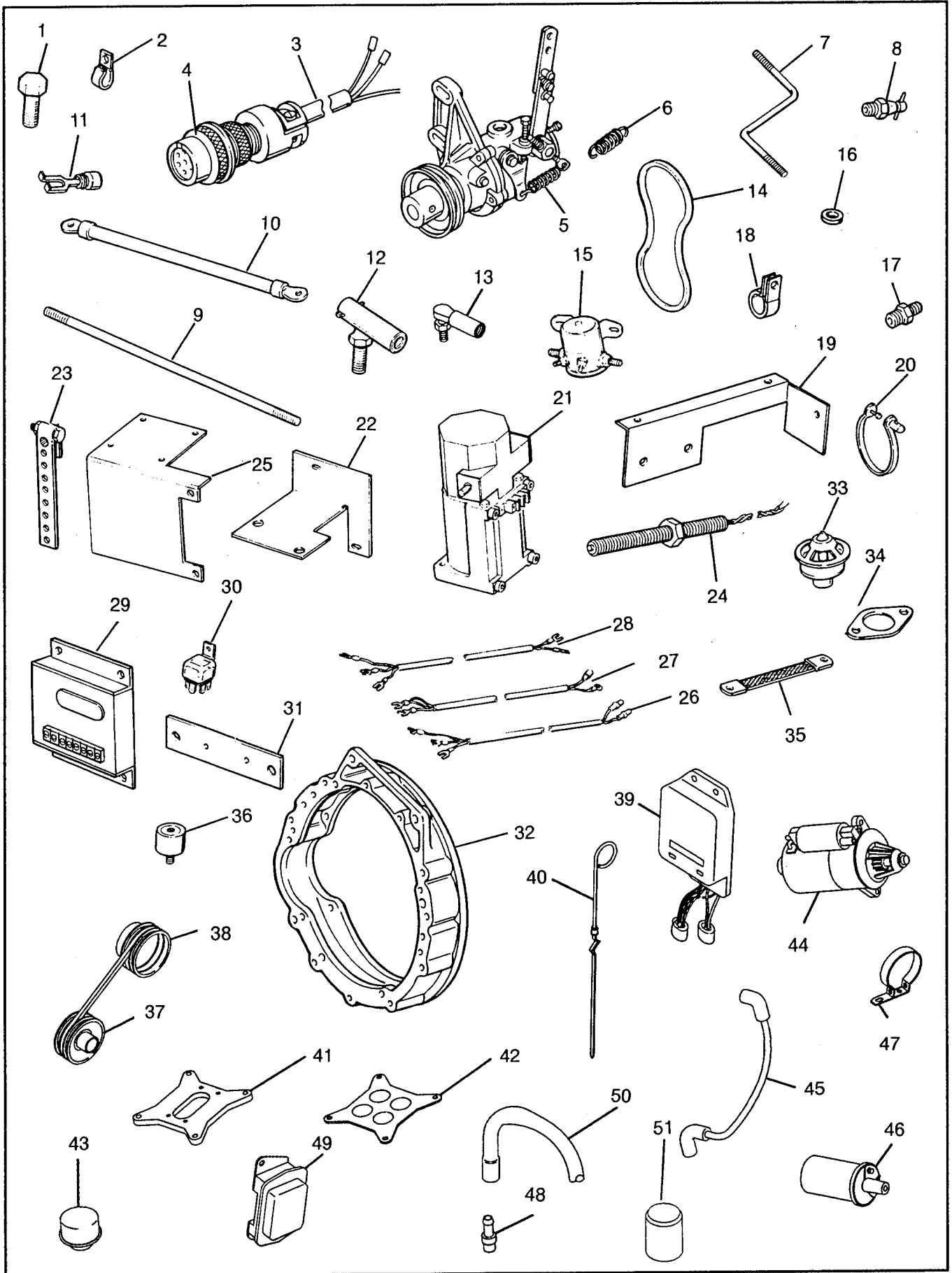


Group 105: Engine

Item	Qty.	Description Variation	Part No.
	2	Spacer 183-7	265693
17	1	Connector, adapter hose 183-9, 183-12, 183-17, 183-19, 183-23, 183-24	X-582-2
18	1	Clamp, insulated 183-9, 183-12, 183-17, 183-19, 183-23, 183-24	X-672-10
	3	Clamp, insulated 183-2, 183-7	X-672-10
	1	Clamp, insulating 183-7, 183-9, 183-12, 183-17, 183-19, 183-23, 183-24	X-672-3
	2	Clamp, insulated 183-9, 183-12, 183-17, 183-19, 183-23, 183-24	X-672-7
19	1	Bracket, fuel pump 183-2, 183-7, 183-9, 183-12, 183-17, 183-19, 183-23, 183-24	255414
20	4	Tie, wire 183-2, 183-7, 183-9, 183-12	255611
21	1	Actuator, governor 183-9, 183-12, 183-17, 183-19, 183-23, 183-24	255746
	1	Actuator 183-7	280996
22	1	Bracket, actuator 183-1	291497
23	1	Lever, actuator 183-9, 183-10, 183-11, 183-12, 183-15, 183-17, 183-18, 183-19, 183-21, 183-23, 183-24	255748
	1	Lever, actuator 183-7	280997
24	1	Pick-up, magnetic 183-9, 183-12, 183-17, 183-19, 183-23, 183-24	255749
	1	Pick-up, magnetic 183-7	291496
25	1	Bracket, governor mounting 183-9, 183-12, 183-17, 183-19, 183-23, 183-24	255754

Item	Qty.	Description Variation	Part No.
	1	Bracket, governor mounting 183-2	291997
26	1	Cable, pick-up 183-9, 183-12, 183-17, 183-19, 183-23, 183-24	255759
27	1	Cable, governor power 183-9, 183-12, 183-17, 183-19, 183-23, 183-24	255760
28	1	Cable, actuator 183-9, 183-12, 183-17, 183-19, 183-23, 183-24	255761
29	1	Control, governor 183-9, 183-12, 183-17, 183-19, 183-23, 183-24	255932
	1	Controller, electric 183-7	253455
30	1	Relay 183-9, 183-12, 183-17, 183-19, 183-23, 183-24	259391
31	1	Bracket, relay 178-4	253335
	1	Bracket, relay 178-31, 178-32	254082
32	1	Housing, flywheel 183-2, 183-9, 183-12, 183-17, 183-19, 183-23, 183-24	291384
33	1	Thermostat 183-12, 183-19, 183-24	255751
34	1	Gasket, thermostat 183-12, 183-19, 183-24	255752
35	2	Strap, ground 178-4, 178-31, 178-32	223033
36	2	Bumper 178-4, 179-1	259632
37	1	Pulley, crankshaft 183-23, 183-24	276075
38	1	Pulley, water 183-23, 183-24	276076
39	1	Module, ignition 181-5, 183-23, 183-24	276077

Group 105: Engine



Group 105: Engine

Item	Qty.	Description Variation	Part No.
40	1	Dipstick 183-23, 183-24	276078
41	1	Adapter 183-23, 183-24	276081
42	1	Gasket 183-23, 183-24	276082
43	1	Cap, oil fill 183-23, 183-24	276085
44	1	Starter assembly 183-23, 183-24	276097
45	1	Suppressor assembly 181-5	276106
46	1	Coil, ignition 181-5	276107
47	1	Strap, ignition coil 181-5	276108
48	1	Valve, crankcase 183-23, 183-24	276115

Item	Qty.	Description Variation	Part No.
49	1	Regulator, alternator 181-5	276128
50	1	Hose, crankcase vent 183-23, 183-24	276164
51	1	Oil filter 179-1, 179-5, 181-1, 181-5, 183-1, 183-2, 183-7, 183-9, 183-12, 183-17, 183-19, 183-23, 183-24	279449
The following items are not shown.			
1		Engine, assembly 181-1, 181-5	A-255246
1		Engine, assembly 183-7, 183-9, 183-12, 183-17, 183-23	A-255653
1		Engine, assembly gasoline 179-1, 179-5	B-279020
1		Spacer, fan 183-23, 183-24	276114

Group 107: Nameplate and Decals

Item	Qty.	Description Variation	Part No.
1	2	Nameplate, "Kohler" 178-5, 178-9, 178-12, 178-13, 179-1, 179-3, 179-4, 179-5, 179-6, 179-7, 179-9, 179-10, 179-12	241541
The following items are not shown.			
2	3	Decal, "water drain" 178-13	280561
	2	Decal, "water drain" 178-12, 179-1, 179-10, 179-12	280561
3	2	Decal, "Fast Response" 178-5, 178-9, 178-12, 178-13, 179-1, 179-3, 179-4, 179-5, 179-6, 179-7, 179-9, 179-10, 179-12	255084
4	1	Nameplate, generator 178-13	282904
5	2	Decal, stripes 178-5, 178-9, 178-12, 178-13, 179-1, 179-3, 179-4, 179-9, 179-10, 179-12	X-6232-1
	1	Decal, stripes 178-5, 178-9, 178-12, 178-13, 179-1, 179-3, 179-4, 179-9, 179-10, 179-12	X-6232-2
	1	Decal, stripes 179-5, 179-6, 179-7	255086
6	1	Nameplate, blank KW 178-5, 178-9, 178-12, 178-13, 179-1, 179-3, 179-4, 179-10	282905
7	1	Decal, "Equipment Ground" 178-1, 178-5, 179-9, 179-5, 179-6, 179-7	290435
8	2	Decal, warning 179-5, 179-6, 179-7	290733
9	2	Decal, "20" 179-5	255087
	2	Decal, "30" 179-6	255088

Item	Qty.	Description Variation	Part No.
	2	Decal, "45" 179-7	255207
	2	Decal, "100" 178-9, 178-12	X-6247-10
	2	Decal, "45" 179-3	X-6247-5
	2	Decal, "70" 179-9	X-6247-8
	4	Decal, "80" 178-5, 178-13	X-6247-9
10	1	Decal, oil warning 178-12, 178-13	255879
11	1	Decal, lift warning 178-5, 178-13, 179-9, 179-12	257437
12	2	Decal, improper use 178-9, 178-12, 179-1, 179-3, 179-4, 179-9, 179-10	257438
	3	Decal, improper use 178-5, 178-13, 179-12	257438
13	1	Decal, proper lifting 178-5, 178-13, 179-9, 179-12	257441
14	1	Decal, instruction 179-4, 179-10	241067
15	1	Decal, 12 volt (D) 178-12, 178-13, 179-3, 179-4, 179-9, 179-10, 179-12	246052
16	2	Decal 179-5, 179-6, 179-7	255085
17	1	Decal 178-5, 178-9, 178-12, 178-13, 179-1, 179-3, 179-4, 179-9, 179-10, 179-12	259365
18	2	Decal, model (D) 179-4, 179-10	X-6233-1
19	2	Decal, model (D) 179-1	X-6233-2
	2	Decal, model (D) 179-12	X-6233-4

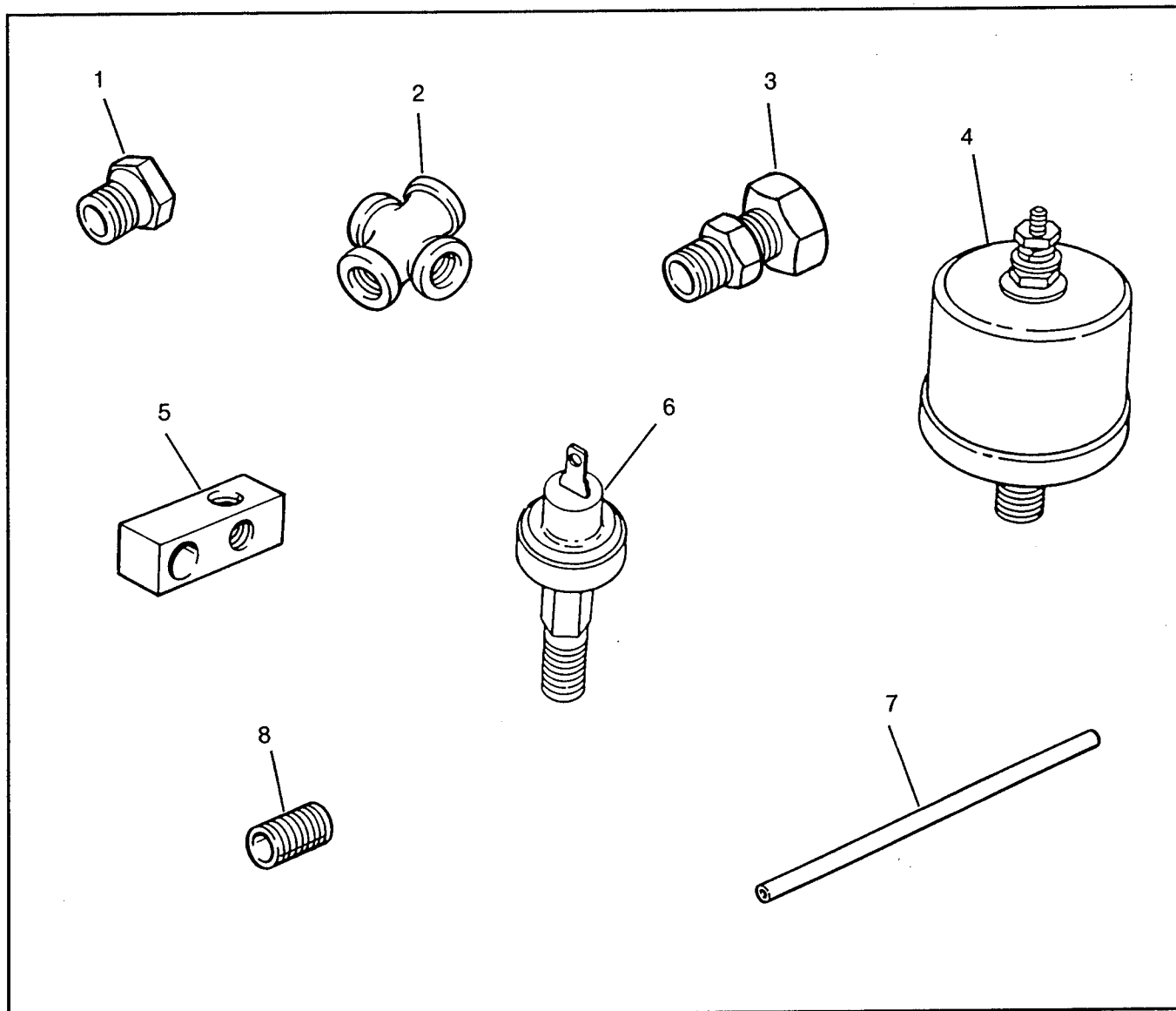
Group 107: Nameplate and Decals

This page intentionally left blank.

Group 108: Oil Pressure Gauge

Item	Qty.	Description Variation	Part No.
1	1	Bushing, reducer 179-1, 179-2, 181-1, 181-2	X-202-27
2	1	Cross, pipe 1/8" black 179-1, 179-2, 181-1, 181-2	164037
3	1	Connector, compression 183-1, 183-2, 183-3, 183-7	D-244
4	1	Sender, oil pressure 179-1, 181-1, 183-1, 183-7	264390
5	1	Block, oil guage 183-1, 183-2, 183-3, 183-7	267548

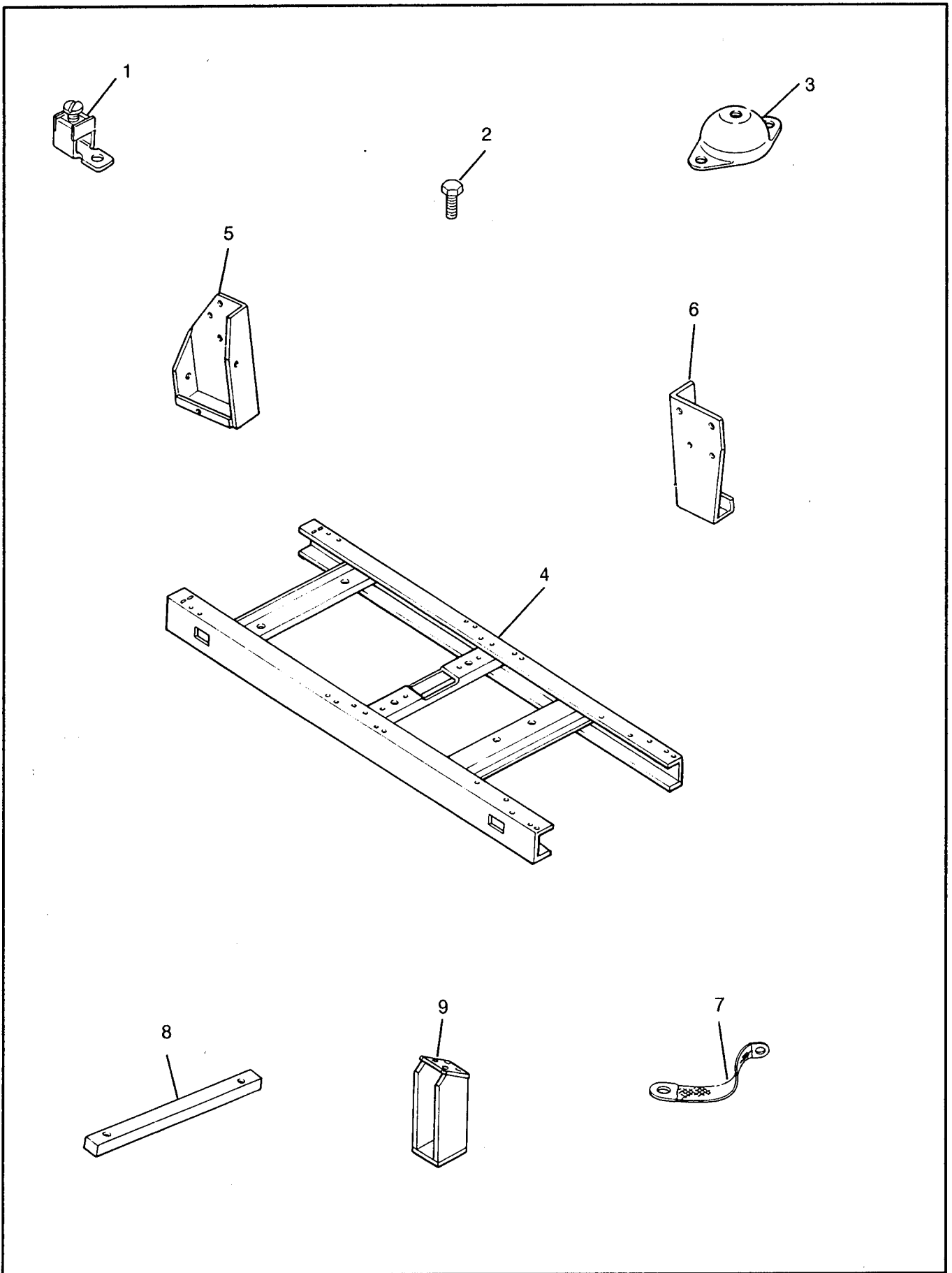
Item	Qty.	Description Variation	Part No.
6	1	Switch, pressure 183-7	255912
	1	Switch, pressure 179-1, 179-2, 181-1, 181-2, 183-1, 183-2	271662
7	1	Line, vent 183-1, 183-2, 183-3, 183-7	X-294-1
8	1	Nipple, pipe 1/8" x 1-1/2" 179-1, 181-1, 181-2	289055
	1	Nipple, pipe, 1" x 1/8" 179-2	X-217-7



Group 108: Oil Pressure Gauge

This page intentionally left blank.

Group 109: Skid and Plant Mounting

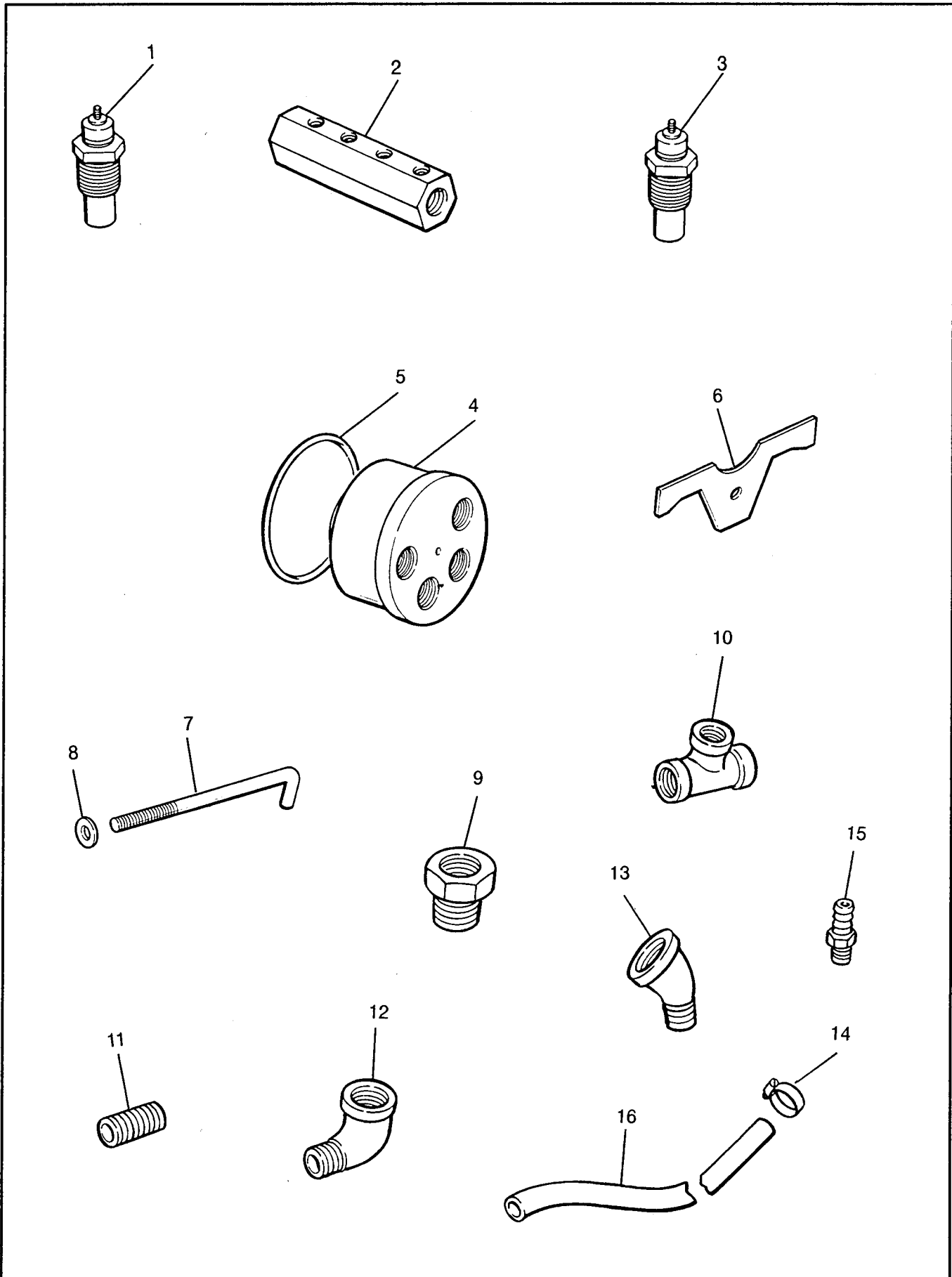


Group 109: Skid and Plant Mounting

Item	Qty.	Description Variation	Part No.
1	1	Terminal, grounding 183-1, 183-2	X-377-11
2	4	Screw, H.C. 181-1	X-6051-3
3	4	Damper, vibration 179-1, 181-1, 183-1, 183-2, 183-3, 183-4	244210
4	1	Skid 179-1	255037
	1	Skid 181-1	255222
	1	Skid 183-1, 183-2	255292
	1	Skid 183-3, 183-4	258496

Item	Qty.	Description Variation	Part No.
5	1	Support, engine - L.S. 179-1	255192
	1	Support, engine - L.H. 181-1	255234
6	2	Support, engine - R.H. 181-1	255235
	1	Support, engine 179-1	279374
7	1	Strap, ground 179-1, 181-1, 183-1, 183-2, 183-3, 183-4	290418
8	1	Spacer, generator 183-1, 183-4	253371
9	2	Support, engine 183-1, 183-2, 183-3, 183-4	255289

Group 110: Temperature Switches



Group 110: Temperature Switches

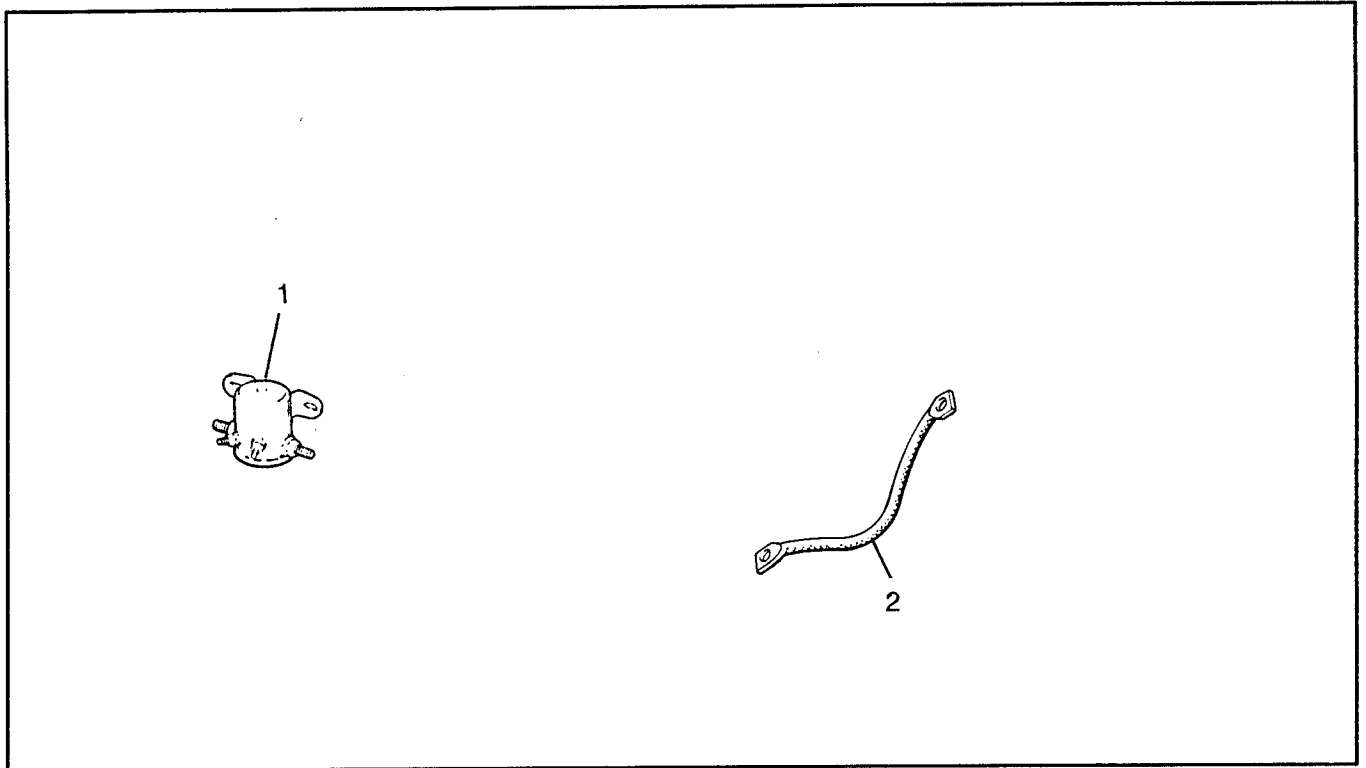
Item	Qty.	Description Variation	Part No.
1	1	Switch, high water temperature 179-1, 179-2, 183-1, 183-2, 183-4, 183-5	241308
	1	Switch, high water temperature 181-1, 181-2	255241
2	1	Manifold, water temperature 183-1, 183-4	273659
	1	Switch manifold, water temperature 183-2, 183-5	291010
3	1	Sender, temperature 181-1	255240
	1	Sender, water temperature 179-1, 183-1, 183-4	268298
4	1	Sensor, manifold 179-1, 179-2	255170
5	1	Ring, "O" 179-1, 179-2	255174
6	1	Bracket 179-1, 179-2	255175
7	1	Stud 179-1, 179-2	255176
8	1	Gasket, washer 179-1, 179-2	297001
9	1	Bushing, reducer 183-1, 183-2	X-202-28
10	1	Tee, black iron 183-2, 183-5	X-203-15
11	1	Nipple, pipe 3/8" x 1" 183-2, 183-5	X-204-9

Item	Qty.	Description Variation	Part No.
	1	Nipple, pipe 1/2" x 2" 183-1, 183-2, 183-4, 183-5	X-209-6
12	1	Elbow, street 1/2" 183-1, 183-2, 183-4, 183-5	X-211-1
13	1	Elbow, street 45 degrees 183-1, 183-4, 183-5	X-274-13
14	1	Clamp, hose 183-2	X-426-10
	2	Clamp, hose 183-1	X-426-10
15	1	Connector, adapter hose 183-4, 183-5	X-582-1
	1	Connector, adapter hose 183-4, 183-5	X-582-2
	1	Connector, hose 181-2	X-582-9
	2	Connector, hose 183-1, 183-2	X-582-9
16	1	Hose .375" x 15" 183-1	X-651-16
		The following item is not shown.	
	1	Spacer 179-1	X-400-192

Group 112: Starter

Item	Qty.	Description Variation	Part No.
1	1	Solenoid, starter (relay) 181-1	291891

Item	Qty.	Description Variation	Part No.
2	1	Cable, battery 181-1	X-545-34

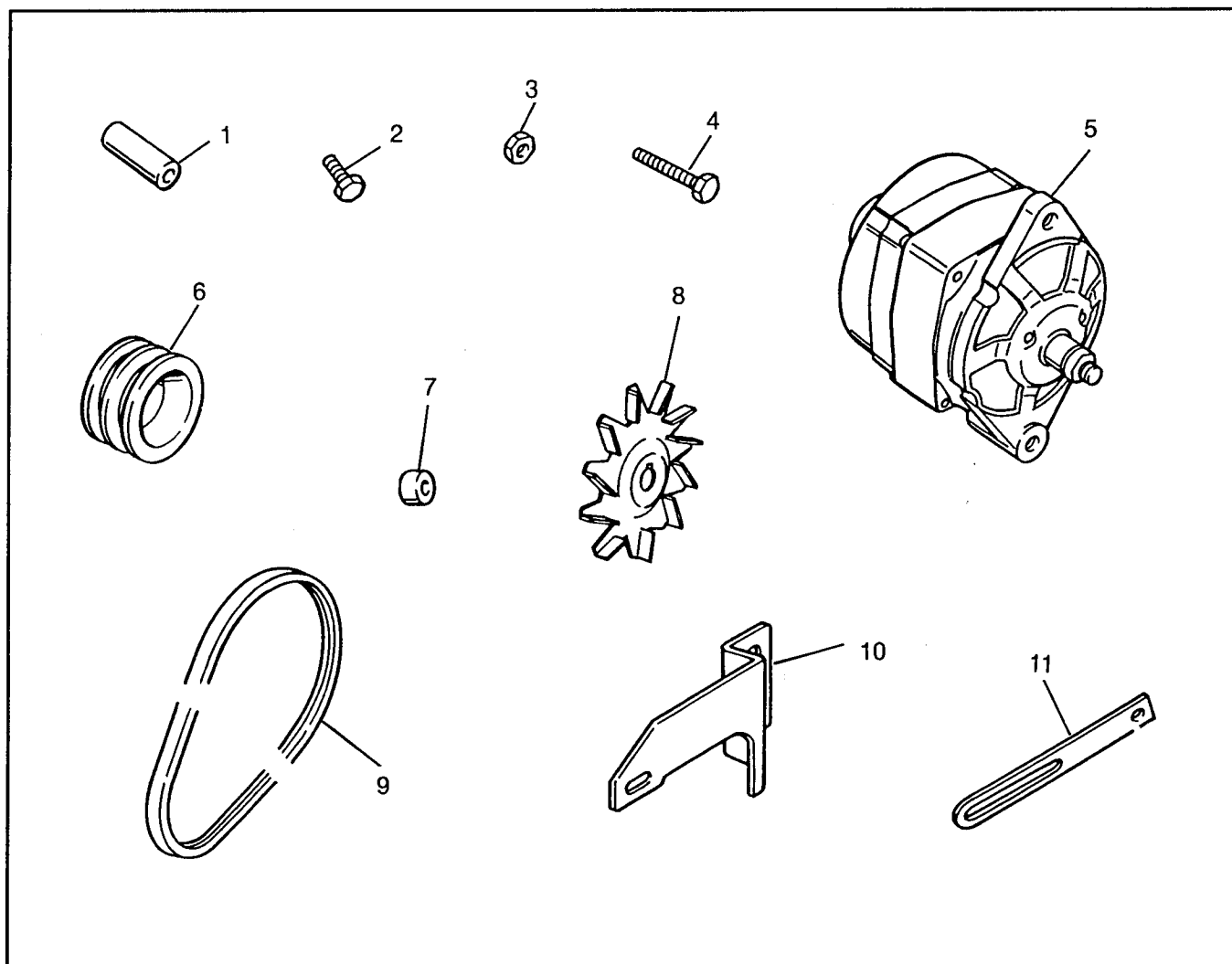


This page intentionally left blank.

Group 113: Alternator

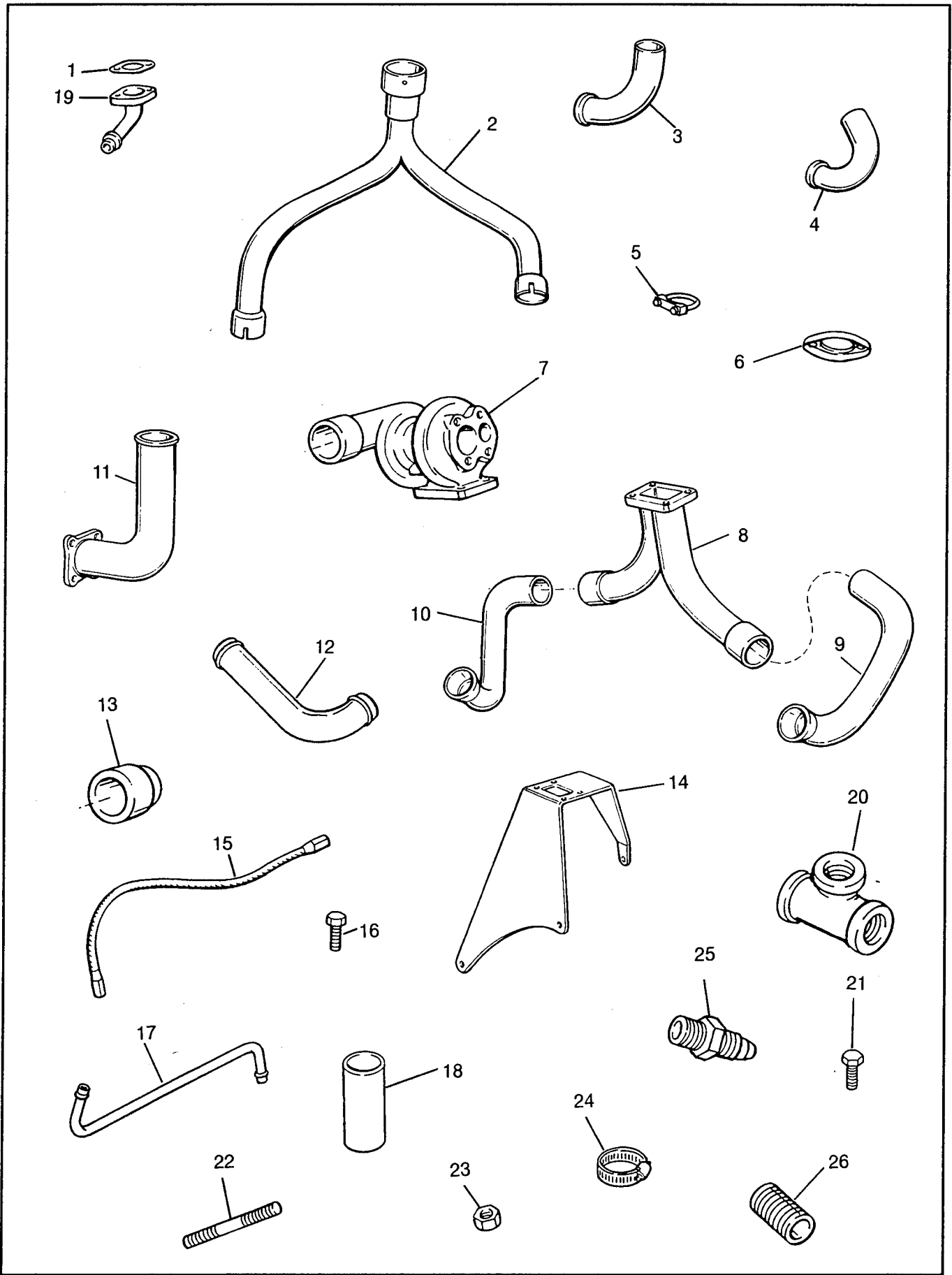
Item	Qty.	Description Variation	Part No.
1	1	Spacer 183-1, 183-2, 183-3	X-400-118
2	1	Screw, H.C. 183-1, 183-2	X-6050-4
3	1	Nut, hex 183-1, 183-2, 183-3	X-6053-1
4	1	Screw, cylinder head 183-1, 183-2, 183-3	230578
5	1	Alternator 183-2	255013
	1	Fan, alternator 183-2	255014
	1	Alternator 183-1	255281
	1	Alternator 183-3	255321

Item	Qty.	Description Variation	Part No.
6	1	Pulley, alternator 183-1, 183-3	255527
	1	Pulley, alternator 183-2	256420
7	1	Spacer 183-1, 183-2, 183-3	280528
8	1	Fan, generator 183-1, 183-3	285896
9	2	Belt, V 183-2	258955
	2	Belt, V 183-1, 183-3	291389
10	1	Bracket, alternator mounting 183-1, 183-2, 183-3	291401
11	1	Arm, adjusting 183-1	291724



This page intentionally left blank.

Group 116: Exhaust

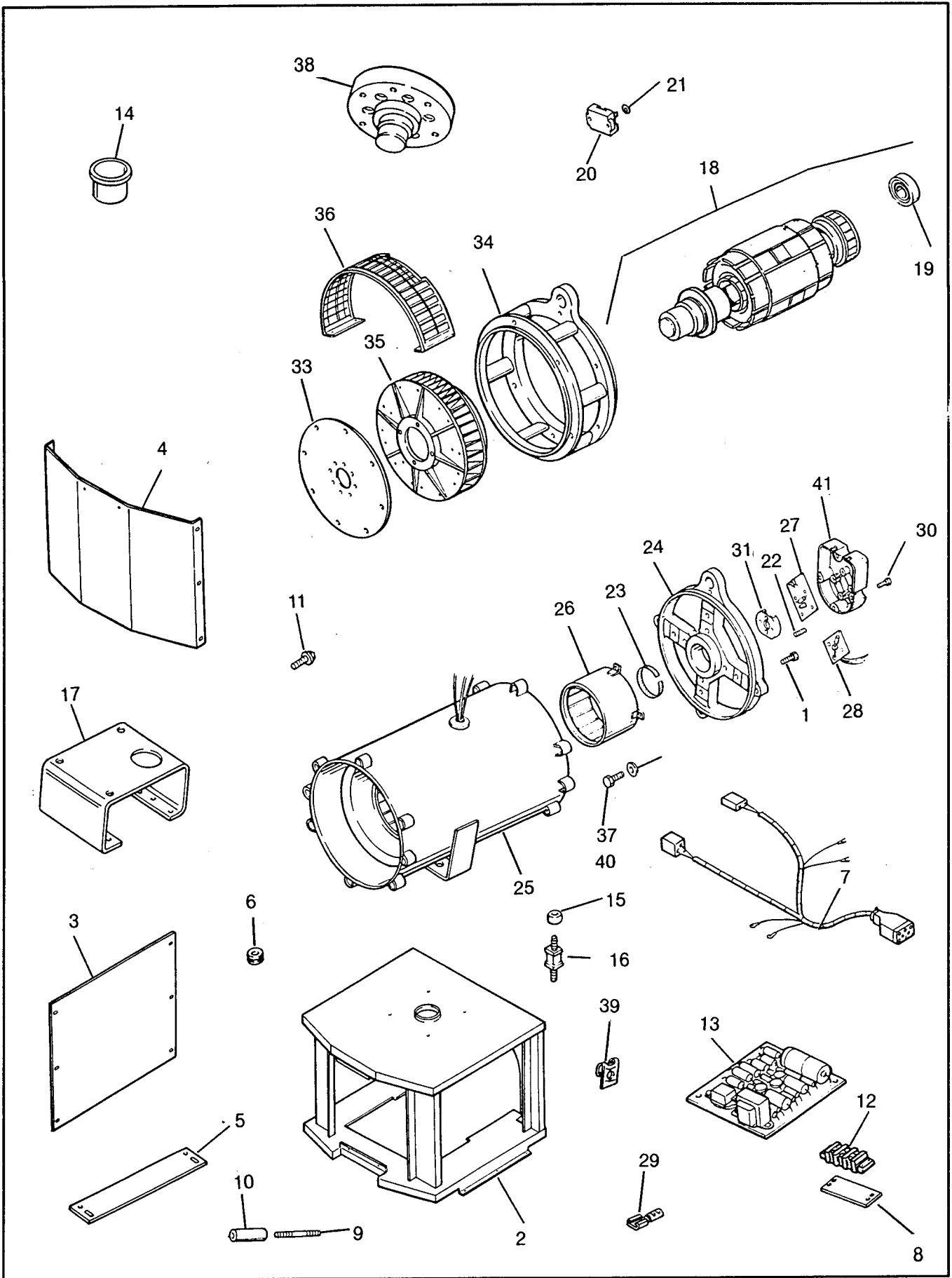


Group 116: Exhaust

Item	Qty.	Description Variation	Part No.
1	1	Gasket, turbo oil outlet 183-2, 183-4, 183-5	255664
	1	Gasket 183-4, 183-5	258895
2	1	Pipe, upper exhaust 183-1	255555
3	1	Pipe, R.H. exhaust 183-1	255556
4	1	Pipe, L.H. exhaust 183-1	255557
5	2	Clamp, muffler 183-1, 183-4, 183-5	288827
6	2	Flange, exhaust 183-1, 183-4	291781
7	1	Turbocharger 183-2, 183-4	255553
	1	Turbocharger 183-5	255554
8	1	Pipe turbo inlet 183-4, 183-5	258450
	1	Pipe turbo inlet 183-2	255620
9	1	Pipe, exhaust - left 183-4, 183-5	258451
	1	Pipe, exhaust - left 183-2	255621
10	1	Pipe, exhaust - right 183-4, 183-5	258452
	1	Pipe, exhaust - right 183-2	255622
11	1	Pipe, turbine discharge 183-2, 183-4, 183-5	255623
12	1	Pipe, compressor discharge 183-4, 183-5	258454
	1	Pipe, compressor discharge 183-2	255624
13	1	Hose, step silicone (1.75 x 2.0) 183-2, 183-4, 183-5	255625
	1	Hose, step (2.0 x 2.63) 183-4, 183-5	258465

Item	Qty.	Description Variation	Part No.
14	1	Support, turbo charger 183-4, 183-5	258456
15	1	Line, oil feed 183-2, 183-4, 183-5	255626
16	1	Bolt, banjo 183-2, 183-4, 183-5	255628
17	1	Line, oil drain 183-4, 183-5	258460
18	2	Hose 183-4, 183-5	258461
19	1	Fitting, oil drain 183-2, 183-4, 183-5	255630
	1	Fitting, oil drain 183-2, 183-4, 183-5	255674
20	1	Tee, pipe 183-4, 183-5	X-203-10
21	2	Bolt, m6y 1.0 x 16mm 183-4, 183-5	X-6049-2
22	4	Stud 183-4, 183-5	258956
	4	Stud, 5/16-18 x 1-1/2 183-4, 183-5	X-352-65
23	4	Nut, hex 183-4, 183-5	X-6053-2
24	1	Clamp, hose 183-4, 183-5	X-426-2
	4	Clamp, hose, 1" 183-4, 183-5	X-426-3
	1	Clamp, hose 2-1/2" 183-4, 183-5	X-426-6
	2	Clamp, hose 3" 183-4, 183-5	250081
25	1	Connector, half-union 183-4, 183-5	X-296-5
26	1	Nipple, pipe 1/8" x 3/4" 183-4, 183-5	X-217-6
The following items are not shown.			
	1	Kit, turbo charger 183-2	255545

Group 201: Generator and Mounting

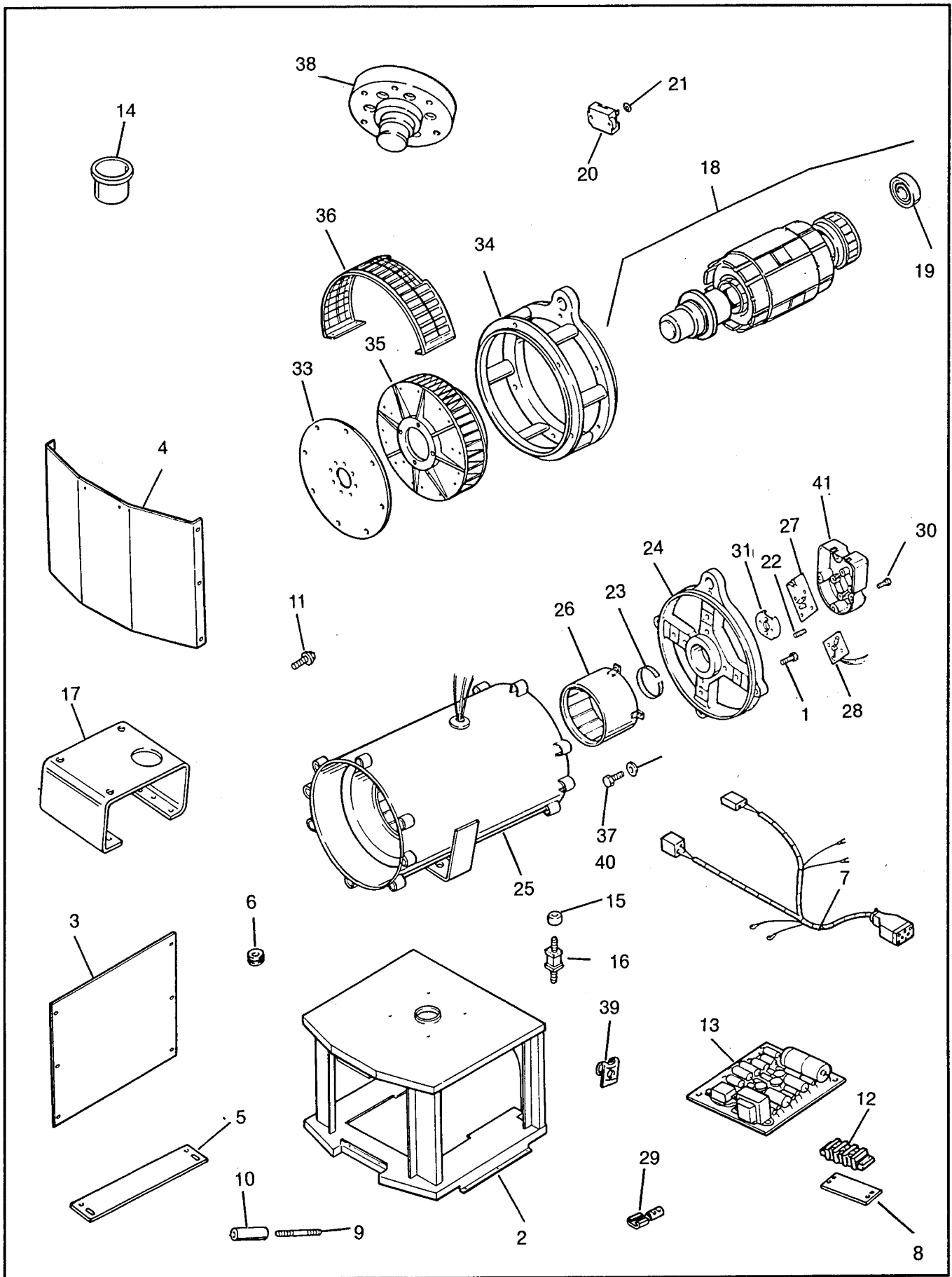


Group 201: Generator and Mounting

Item	Qty.	Description Variation	Part No.
1	16	Screw, drill hex. 178-6, 178-8, 178-11, 178-12, 178-15, 178-20, 178-21, 178-23, 178-24, 178-25, 178-31, 178-32, 178-33, 178-34, 178-35, 178-36, 178-38, 178-51, 178-52, 178-53, 178-54, 178-55, 178-56, 178-92	X-794-1
2	1	Box, junction 178-23, 178-24, 178-38	255550
	1	Box, junction 178-6, 178-8, 178-11, 178-12, 178-15, 178-20, 178-25, 178-31, 178-32, 178-33, 178-34, 178-35, 178-51, 178-52, 178-53, 178-54, 178-55	255020
	1	Box, junction 178-21, 178-36, 178-56, 178-92	255044
3	2	Cover, side 178-8, 178-11, 178-12, 178-15, 178-20, 178-25, 178-31, 178-32, 178-33, 178-34, 178-35, 178-51, 178-53, 178-54, 178-55	255021
	2	Cover, side 178-21, 178-23, 178-24, 178-36, 178-56	255045
	2	Cover, side 178-36, 178-38, 178-92	273484
4	1	Cover, rear 178-6, 178-8, 178-11, 178-12, 178-15, 178-20, 178-25, 178-31, 178-32, 178-33, 178-34, 178-35, 178-51, 178-52, 178-53, 178-54, 178-55	255022
	1	Cover, rear 178-21, 178-23, 178-24, 178-36, 178-38, 178-56, 178-92	255046
5	2	Bracket, junction box 178-20, 178-21, 178-23, 178-24, 178-25, 178-34, 178-35, 178-36, 178-38, 178-54, 178-55, 178-56, 178-92	255284

Item	Qty.	Description Variation	Part No.
6	1	Grommet 178-11, 178-12, 178-15, 178-21, 178-23, 178-24, 178-25, 178-31, 178-33, 178-34, 178-35, 178-36, 178-38, 178-51, 178-54, 178-55, 178-56, 178-92	X-284-16
7	1	Harness, wiring AC 178-6, 178-8, 178-11, 178-12, 178-15, 178-20, 178-21, 178-23, 178-24, 178-25, 178-51, 178-52, 178-53, 178-54, 178-55, 178-56	255029
	1	Harness, wiring 178-31, 178-32, 178-33, 178-34, 178-35, 178-36, 178-38, 178-92	255481
8	1	Marker, strip 178-6, 178-8, 178-11, 178-12, 178-15, 178-20, 178-21, 178-23, 178-24, 178-25, 178-31, 178-32, 178-33, 178-34, 178-35, 178-36, 178-38, 178-51, 178-52, 178-53, 178-54, 178-55, 178-56, 178-92	255080
9	3	Stud, mounting 13/32 x 5/8 x 2-1/2 178-11, 178-12	X-352-51
10	1	Spacer, mtg. 13/32 x 5/8 x 2-1/2 178-11, 178-12	X-400-132
11	6	Screw, hex hd. cap (M10 x 1.5 x 30 mm engine mtg.) 178-11, 178-12, 178-15, 178-21, 178-23, 178-24, 178-25, 178-31, 178-33, 178-34, 178-35, 178-36, 178-38, 178-51, 178-54, 178-55, 178-56, 178-92	X-6051-1
12	1	Block, terminal 178-6, 178-8, 178-11, 178-12, 178-15, 178-20, 178-21, 178-23, 178-24, 178-25, 178-31, 178-32, 178-33, 178-34, 178-35, 178-36, 178-38, 178-51, 178-52, 178-53, 178-54, 178-55, 178-56, 178-92	259314

Group 201: Generator and Mounting

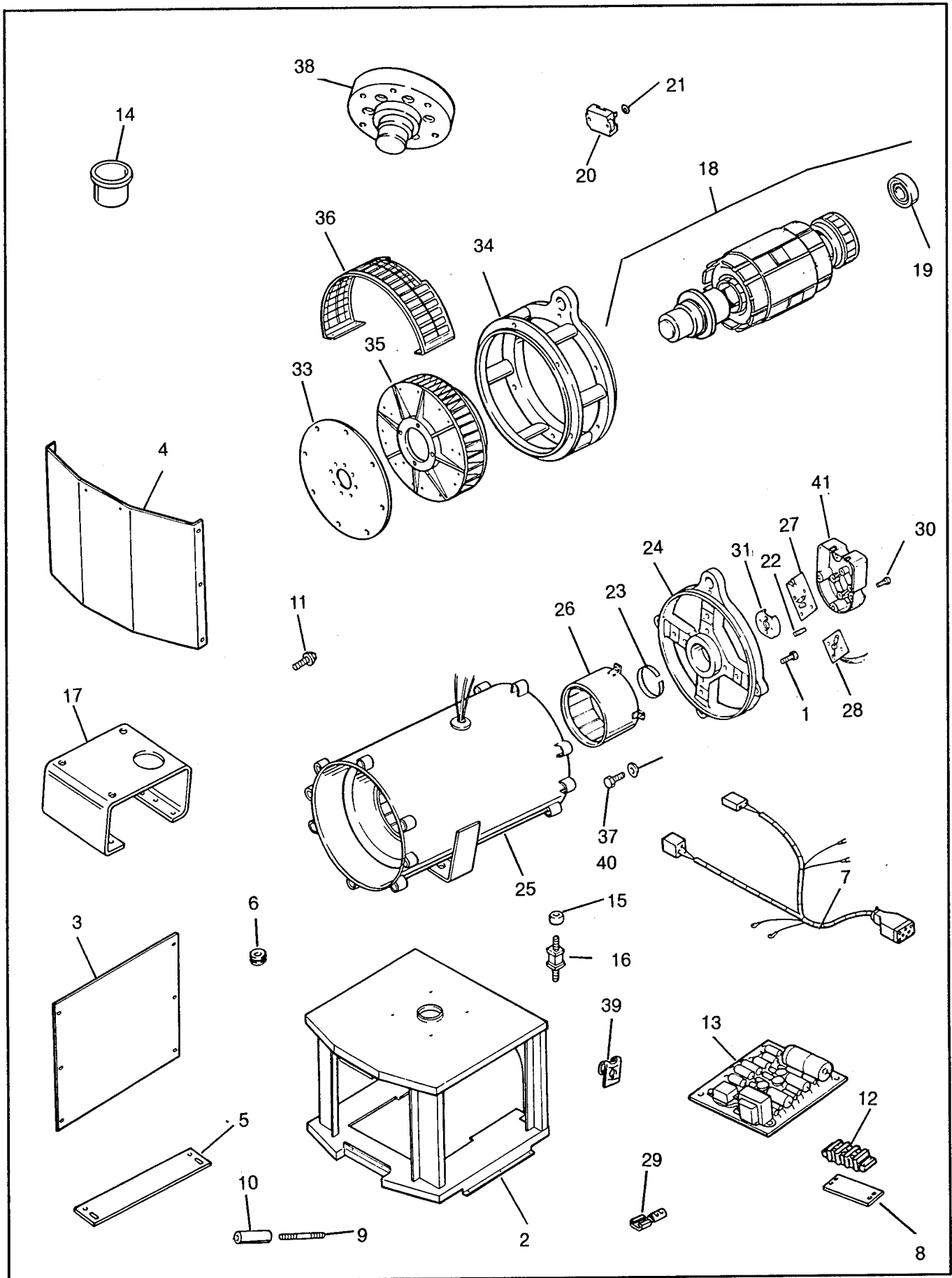


Group 201: Generator and Mounting

Item	Qty.	Description Variation	Part No.
13	1	Board, voltage regulator 178-11, 178-12, 178-15, 178-21, 178-23, 178-24, 178-25, 178-31, 178-33, 178-34, 178-35, 178-36, 178-38, 178-51, 178-54, 178-55, 178-56, 178-92	C-255670
14	1	Bushing 178-11, 178-12, 178-15, 178-21, 178-23, 178-24, 178-25, 178-31, 178-33, 178-34, 178-35, 178-36, 178-38, 178-51, 178-54, 178-55, 178-56, 178-92	X-634-16
15	5	Bushing, insulating 178-11, 178-12, 178-15, 178-21, 178-23, 178-24, 178-25, 178-31, 178-33, 178-34, 178-35, 178-36, 178-38, 178-51, 178-54, 178-55, 178-56, 178-92	239513
16	3	Mount, vibro 178-11, 178-12, 178-15, 178-21, 178-23, 178-24, 178-25, 178-31, 178-33, 178-34, 178-35, 178-36, 178-38, 178-51, 178-54, 178-55, 178-56, 178-92	259919
17	1	Bracket, regulator 178-11, 178-12, 178-15, 178-21, 178-23, 178-24, 178-25, 178-31, 178-33, 178-34, 178-35, 178-36, 178-38, 178-51, 178-54, 178-55, 178-56, 178-92	282832
18	1	Rotor assembly 178-36, 178-56, 178-92	A-257519
	1	Rotor assembly 178-38	A-257520
	1	Rotor assembly 178-20	A-257629
	1	Rotor assembly 178-38	A-258913
	1	Rotor assembly 178-34, 178-35, 178-54, 178-55	A-258976
	1	Rotor assembly 178-33, 178-53	A-258977
	1	Rotor assembly 178-32, 178-52	A-258979

Item	Qty.	Description Variation	Part No.
	1	Rotor assembly 178-31, 178-51	A-258981
	1	Rotor assembly 178-11, 178-12	B-257087
	1	Rotor assembly 178-6	B-257088
	1	Rotor assembly 178-8, 178-15, 178-25	B-257091
	1	Rotor assembly 178-21, 178-23	B-257146
	1	Rotor assembly 178-24	B-257147
19	1	Bearing, ball 178-12, 178-31, 178-33, 178-34, 178-35, 178-51, 178-54, 178-55	X-758-2
	1	Bearing, ball 178-36, 178-38, 178-56	X-758-6
20	1	FR Activator Conversion 178-1, 178-2, 178-3, 178-4, 178-6, 178-8, 178-11, 178-12, 178-22, 178-25, 178-26, 178-29, 178-31, 178-32, 178-33, 178-34, 178-35, 178-40, 178-42, 178-43, 178-44, 178-45	258218
	1	FR Activator Conversion 178-5, 178-17, 178-19, 178-21, 178-23, 178-24, 178-27, 178-30, 178-36, 178-37, 178-38, 178-46, 178-47, 178-48	258219
	1	SCR Assembly 178-36, 178-38, 178-56	B-258549
	1	SCR Assembly 178-31, 178-33, 178-34, 178-35, 178-51, 178-54, 178-55	B-258545
21	2	Washer, compression 178-12, 178-31, 178-33, 178-34, 178-35, 178-36, 178-38, 178-51, 178-54, 178-55, 178-56	X-6067-1
22	1	Stud, terminal 178-12, 178-31, 178-33, 178-34, 178-35, 178-36, 178-38, 178-51, 178-54, 178-55, 178-56	168068

Group 201: Generator and Mounting

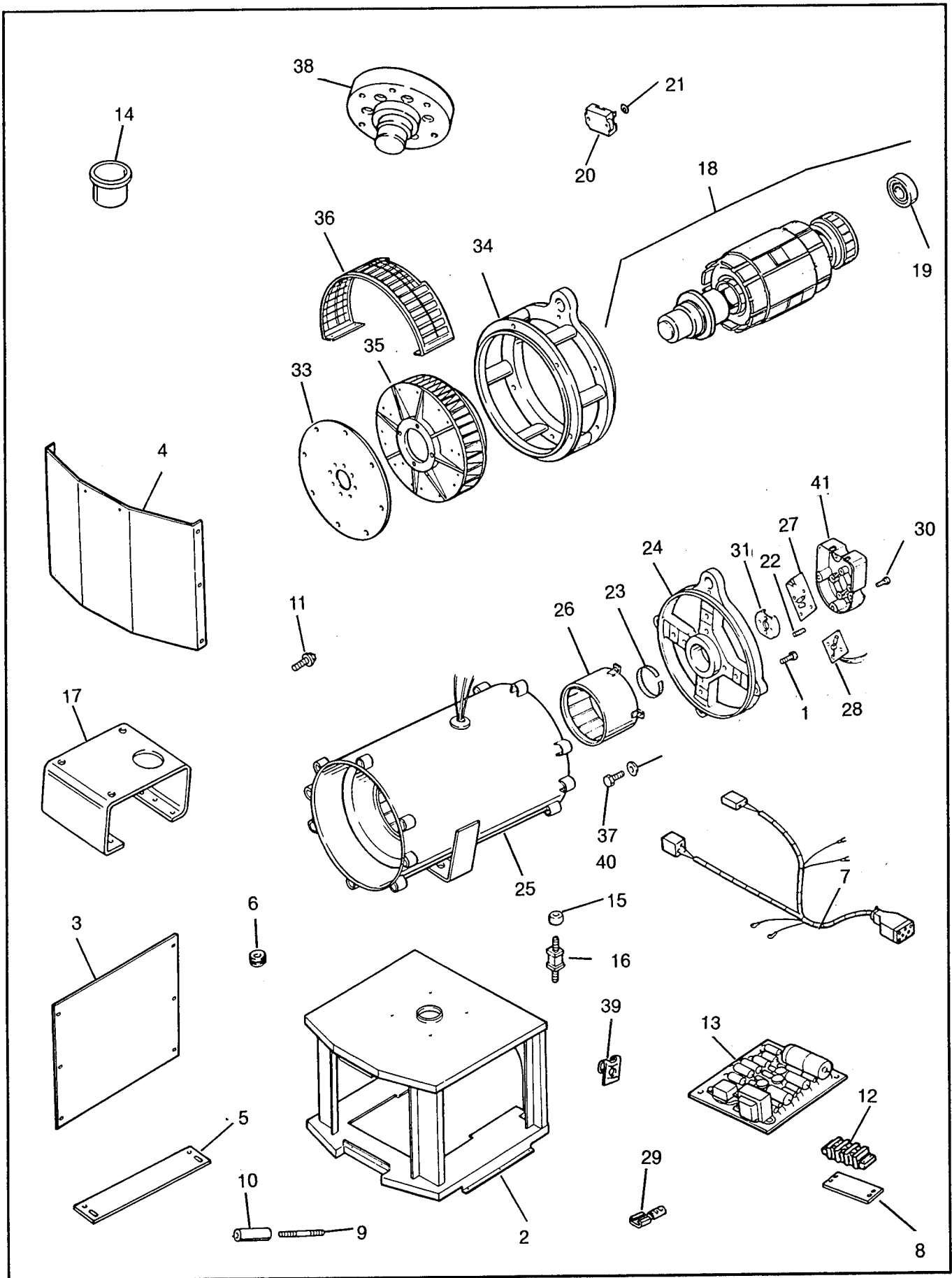


Group 201: Generator and Mounting

Item	Qty.	Description Variation	Part No.
23	1	Ring, tolerance 178-24	257168
	1	Ring, tolerance 178-11, 178-12, 178-15, 178-25	257830
24	1	Bracket, end 178-12	257829
	1	Bracket, end 178-36, 178-56	257983
	1	Bracket, end 178-31, 178-33, 178-35, 178-51, 178-55	257984
25	1	Stator assembly 178-8, 178-25	257040
	1	Stator assembly 178-11	257041
	1	Stator assembly 178-6	257063
	1	Stator assembly 178-15	257409
	1	Stator assembly 178-21, 178-23, 178-24	257536
	1	Stator assembly 178-20	257598
	1	Stator assembly 178-36, 178-56	257687
	1	Stator assembly 178-38	257688
	1	Stator assembly 178-92	257690
	1	Stator assembly 178-31, 178-51	257765
	1	Stator assembly 178-32, 178-52	257766
	1	Stator assembly 178-33, 178-34, 178-53, 178-54	257768
	1	Stator assembly 178-35, 178-55	257769
	1	Stator assembly 178-12	257405

Item	Qty.	Description Variation	Part No.
26	1	Exciter assembly,field 178-12	257080
	1	Exciter assembly, field 178-33, 178-34, 178-35, 178-36, 178-54, 178-55, 178-56, 178-92	257081
27	1	Board, circuit (LED) 178-11, 178-12, 178-15, 178-21, 178-23, 178-24, 178-25, 178-31, 178-33, 178-34, 178-35, 178-36, 178-38, 178-51, 178-54, 178-55, 178-56, 178-92	A-257099
28	1	Board, circuit (photo transistor) 178-11, 178-12, 178-15, 178-21, 178-23, 178-24, 178-25, 178-31, 178-33, 178-34, 178-35, 178-36, 178-38, 178-51, 178-54, 178-55, 178-56, 178-92	A-257100
29	4	Terminal 178-12, 178-15, 178-21, 178-23, 178-24, 178-25, 178-31, 178-33, 178-34, 178-35, 178-36, 178-38, 178-51, 178-54, 178-55, 178-56, 178-92	X-283-7
	2	Terminal 178-11, 178-12, 178-15, 178-21, 178-23, 178-24, 178-25, 178-31, 178-33, 178-34, 178-35, 178-36, 178-38, 178-51, 178-54, 178-55, 178-56, 178-92	X-431-24
30	4	Screw, hex washer hd. #10 x .375 178-11, 178-12, 178-15, 178-21, 178-23, 178-24, 178-25, 178-31, 178-33, 178-34, 178-35, 178-36, 178-38, 178-51, 178-54, 178-55, 178-56, 178-92	X-6071-1
31	4	Actuator, magnetic 178-11, 178-12, 178-15, 178-21, 178-23, 178-24, 178-25, 178-31, 178-33, 178-34, 178-35, 178-36, 178-38, 178-51, 178-54, 178-55, 178-56, 178-92	257077

Group 201: Generator and Mounting

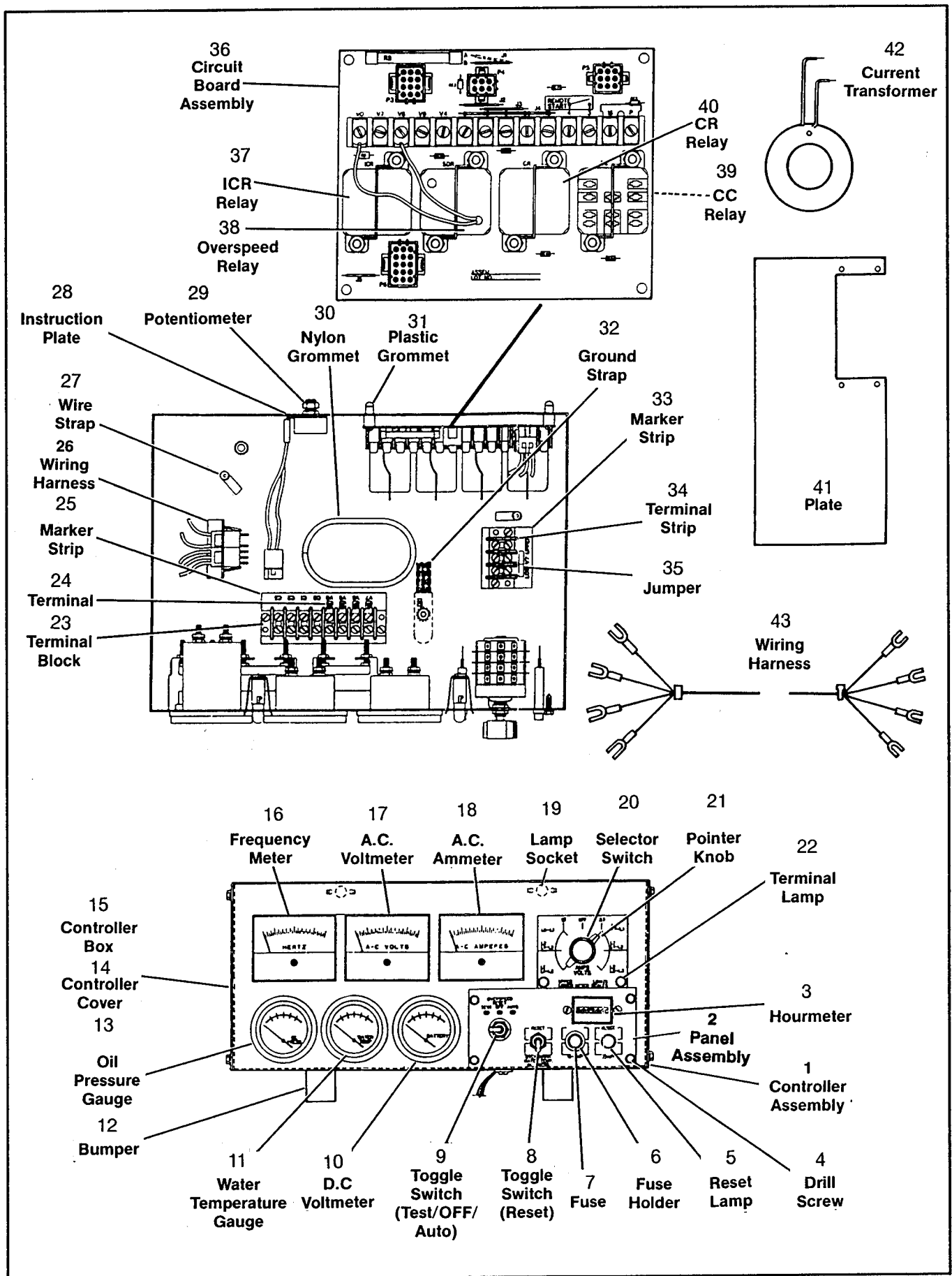


Group 201: Generator and Mounting

Item	Qty.	Description Variation	Part No.
32	14	Washer, hardened 178-36, 178-56, 178-38, 178-34, 178-54, 178-92	290945
	2	Washer, hardened 178-31, 178-33, 178-38, 178-51	X-801-3
33	2	Disc, armature drive 178-31, 178-51	257014
	2	Disc, armature drive 178-33	257015
34	1	Adapter, generator 178-31, 178-33, 178-51	257019
	1	Adapter, generator 178-34, 178-54, 178-35, 178-55	257247
	1	Adapter, generator 178-36, 178-56, 178-38, 178-92	257248
35	1	Fan, generator 178-33, 178-31, 178-51, 178-34, 178-54, 178-35, 178-55	257020
	1	Fan, generator 178-36, 178-56, 178-38, 178-92	257173
36	1	Guard, generator fan 178-33, 178-31, 178-51	257046
	1	Guard, generator fan 178-36, 178-56, 178-38, 178-92	257179
	1	Guard, generator fan 178-34, 178-35, 178-55	257190

Item	Qty.	Description Variation	Part No.
37	4	Screw, H.C. 7/16 - 14 x 1 178-11, 178-12, 178-15, 178-21, 178-23, 178-24, 178-25, 178-31, 178-33, 178-34, 178-35, 178-36, 178-38, 178-51, 178-54, 178-55, 178-56, 178-92	X-6042-2
38	1	Adapter, drive hub 178-38, 178-54, 178-34, 178-55	257490
		Adapter, drive hub 178-36, 178-56, 178-38, 178-92	257491
39	1	Clip, speed 178-31, 178-33, 178-34, 178-35, 178-36, 178-38, 178-51, 178-54, 178-55, 178-56, 178-92	257442
40	8	Screw, hex hd. 3/8 - 16 x 1.25 178-11, 178-12, 178-15, 178-21, 178-23, 178-24, 178-25, 178-31, 178-33, 178-34, 178-35, 178-36, 178-38, 178-51, 178-54, 178-55, 178-56, 178-92	270956
41	1	Cover, circuit board 178-12, 178-15, 178-21, 178-23, 178-24, 178-25, 178-31, 178-33, 178-34, 178-35, 178-36, 178-38, 178-51, 178-54, 178-55, 178-56, 178-92	257258

Group 301: Controller and Mounting (Relay Controller)

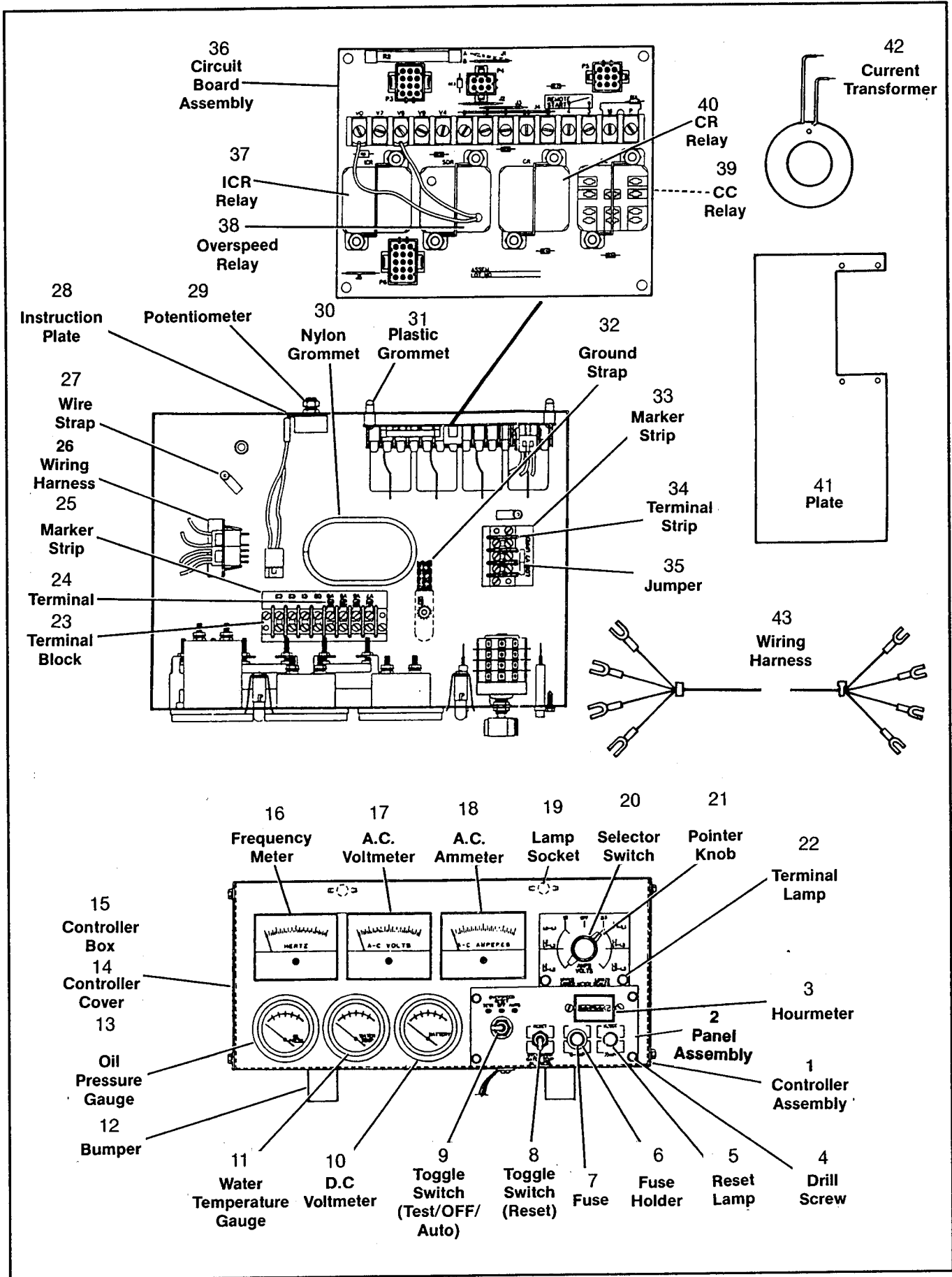


Group 301: Controller and Mounting (Relay Controller)

Item	Qty.	Description Variation	Part No.
1	1	Controller assembly 179-4	B-282943
	1	Controller assembly 179-3, 179-17	B-282945
	1	Controller assembly 178-5, 179-5	B-282951
	1	Controller assembly 179-12	B-282952
	1	Controller assembly 179-7	B-282953
	1	Controller assembly 178-14	B-255252
		Item 1 includes items 2 through 40.	
2	1	Panel assembly 178-5, 178-14, 179-3, 179-4, 179-5, 179-7, 179-12, 179-17	B-282946
		Item 2 includes items 3 through 9.	
3	1	Meter, hour 178-5, 178-14, 179-3, 179-4, 179-5, 179-7, 179-12, 179-17	238736
4	2	Drill, screw 178-5, 178-14, 179-3, 179-4, 179-5, 179-7, 179-12, 179-17	X-49-26
5	1	Lamp, reset 178-5, 178-14, 179-3, 179-4, 179-5, 179-7, 179-12, 179-17	291740
6	1	Holder, fuse 178-5, 178-14, 179-3, 179-4, 179-5, 179-7, 179-12, 179-17	238426
7	1	Fuse, 15 AMP 178-5, 178-14, 179-3, 179-4, 179-5, 179-7, 179-12, 179-17	283645
8	1	Switch, toggle (reset) 178-5, 178-14, 179-3, 179-4, 179-5, 179-7, 179-12, 179-17	250512

Item	Qty.	Description Variation	Part No.
9	1	Switch, toggle (test/off/auto) 178-5, 178-14, 179-3, 179-4, 179-5, 179-7, 179-12, 179-17	287812
10	1	Voltmeter, D.C. 178-5, 178-14, 179-4, 179-5, 179-7, 179-12	253329
11	1	Guage, water temperature 178-5, 178-14, 179-4, 179-5, 179-7, 179-12	282898
12	1	Bumper 178-5, 178-14, 179-3, 179-4, 179-5, 179-7, 179-12	292834
13	1	Guage, oil pressure 178-5, 178-14, 179-3, 179-4, 179-5, 179-7, 179-12	282987
14	1	Cover, controller 178-5, 178-14, 179-3, 179-4, 179-5, 179-7, 179-12	269380
15	1	Box, controller 178-5, 178-14, 179-4, 179-5, 179-7, 179-12	258241
16	1	Meter, frequency 178-5, 178-14, 179-4, 179-5, 179-7, 179-12	295069
17	1	Voltmeter, A.C. 178-5, 178-14, 179-4, 179-5, 179-7, 179-12	282714
18	1	Ammeter, A.C. 179-7	282934
	1	Ammeter, A.C. 179-12	282950
	1	Ammeter, A.C. 178-5, 179-5	295338
	1	Ammeter, A.C. 179-4	295337
	1	Ammeter, A.C. 178-14	282954
19	1	Socket, lamp 178-5, 178-14, 179-4, 179-5, 179-7, 179-12	284990

Group 301: Controller and Mounting (Relay Controller)

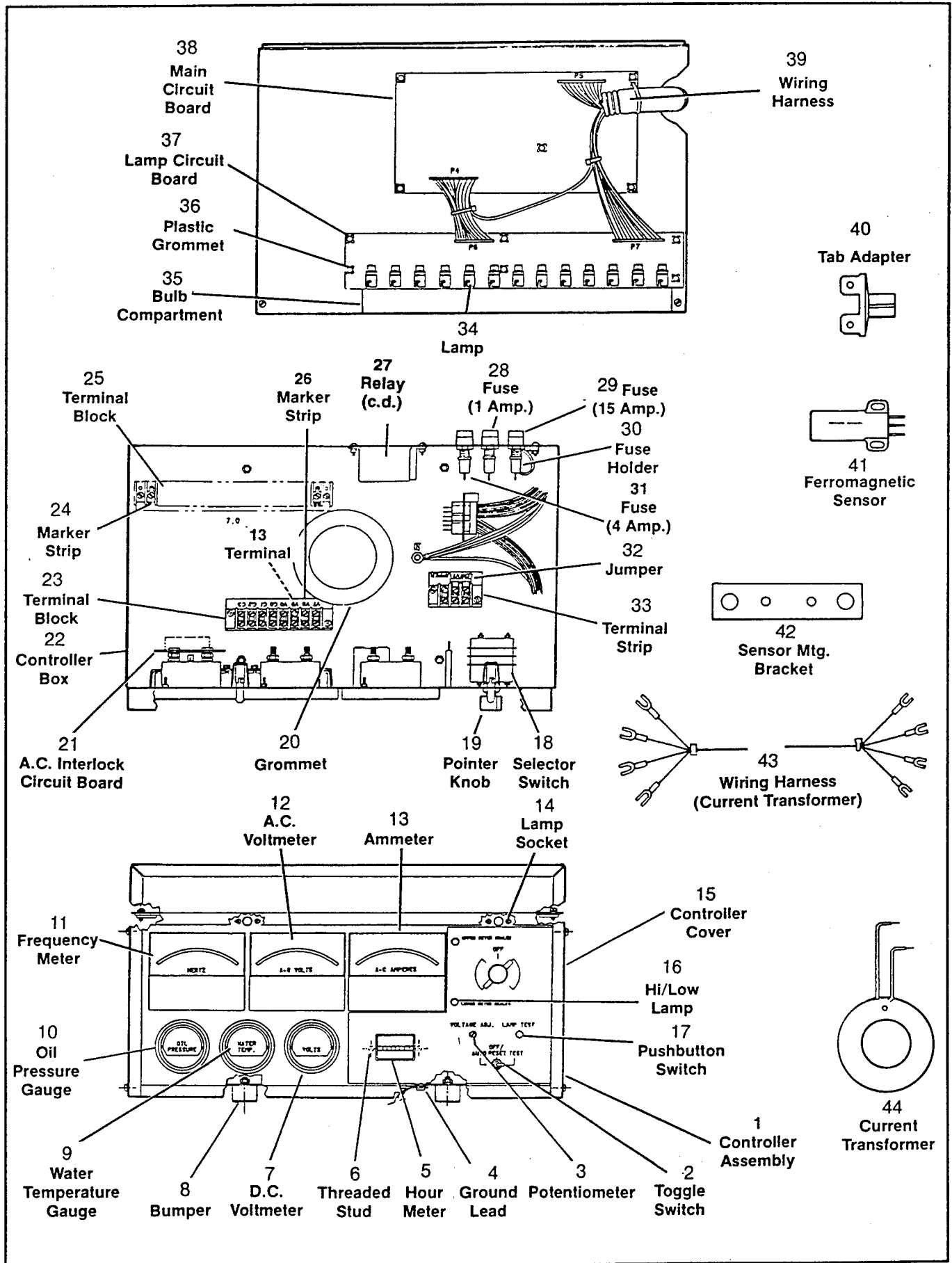


Group 301: Controller and Mounting (Relay Controller)

Item	Qty.	Description Variation	Part No.
20	1	Switch, selector 178-5, 178-14, 179-4, 179-5, 179-7, 179-12	259821
21	1	Knob, pointer 178-5, 178-14, 179-4, 179-5, 179-7, 179-12	269356
22	1	Terminal, lamp 178-5, 178-14, 179-4, 179-5, 179-7, 179-12	236830
23	1	Block, terminal 178-5, 178-14, 179-4, 179-5, 179-7, 179-12	246115
24	1	Terminal 178-5, 178-14, 179-4, 179-5, 179-7, 179-12	238898
25	1	Strip, marker 178-5, 178-14, 179-4, 179-5, 179-7, 179-12	282824
26	1	Harness, wiring 178-5, 178-14, 179-4, 179-5, 179-7, 179-12	255859
27	1	Strap, wire 7/16" 178-5, 178-14, 179-4, 179-5, 179-7, 179-12	X-526-2
28	1	Plate, instruction 178-5, 178-14, 179-4, 179-5, 179-7, 179-12	201534
29	1	Potentiometer assembly 178-5, 178-14, 179-4, 179-5, 179-7, 179-12	A-255041
30	1	Grommet, nylon 178-5, 178-14, 179-4, 179-5, 179-7, 179-12	X-6033-2
31	1	Grommet, plastic 178-5, 178-14, 179-4, 179-5, 179-7, 179-12	X-593-3
32	1	Strap, ground 178-5, 178-14, 179-4, 179-5, 179-7, 179-12	241611
33	1	Strip, marker 178-5, 178-14, 179-4, 179-5, 179-7, 179-12	282823

Item	Qty.	Description Variation	Part No.
34	4	Strip, terminal 178-5, 178-14, 179-4, 179-5, 179-7, 179-12	223096
35	1	Jumper 178-5, 178-14, 179-4, 179-5, 179-7, 179-12	X-6048-2
36	1	Circuit board assembly 178-5, 178-14, 179-4, 179-5, 179-7, 179-12	A-255658
		Item 36 includes items 37 through 40.	
37	1	Relay ICR 178-5, 178-14, 179-4, 179-5, 179-7, 179-12	269958
38	1	Relay, overspeed 178-5, 178-14, 179-4, 179-5, 179-7, 179-12	255850
39	1	Relay, C.C. (6 volt) 178-5, 178-14, 179-4, 179-5, 179-7, 179-12	282972
40	1	Relay, C.C. (12 volt) 178-5, 178-14, 179-4, 179-5, 179-7, 179-12	241600
41	1	Relay, C.R. 179-11, 179-12, 179-25	241600
42	1	Plate 179-3, 179-17	282944
43	1	Transformer, current 179-7	246885
	1	Transformer, current 179-4	246886
	1	Transformer, current 179-5	246887
	1	Transformer, current 179-12	246889
	1	Transformer, current 179-14	248874
44	1	Harness, wire 178-5, 179-4, 179-5, 179-7, 179-12, 179-14	282972

Group 301: Controller and Mounting (Dec II Controller)

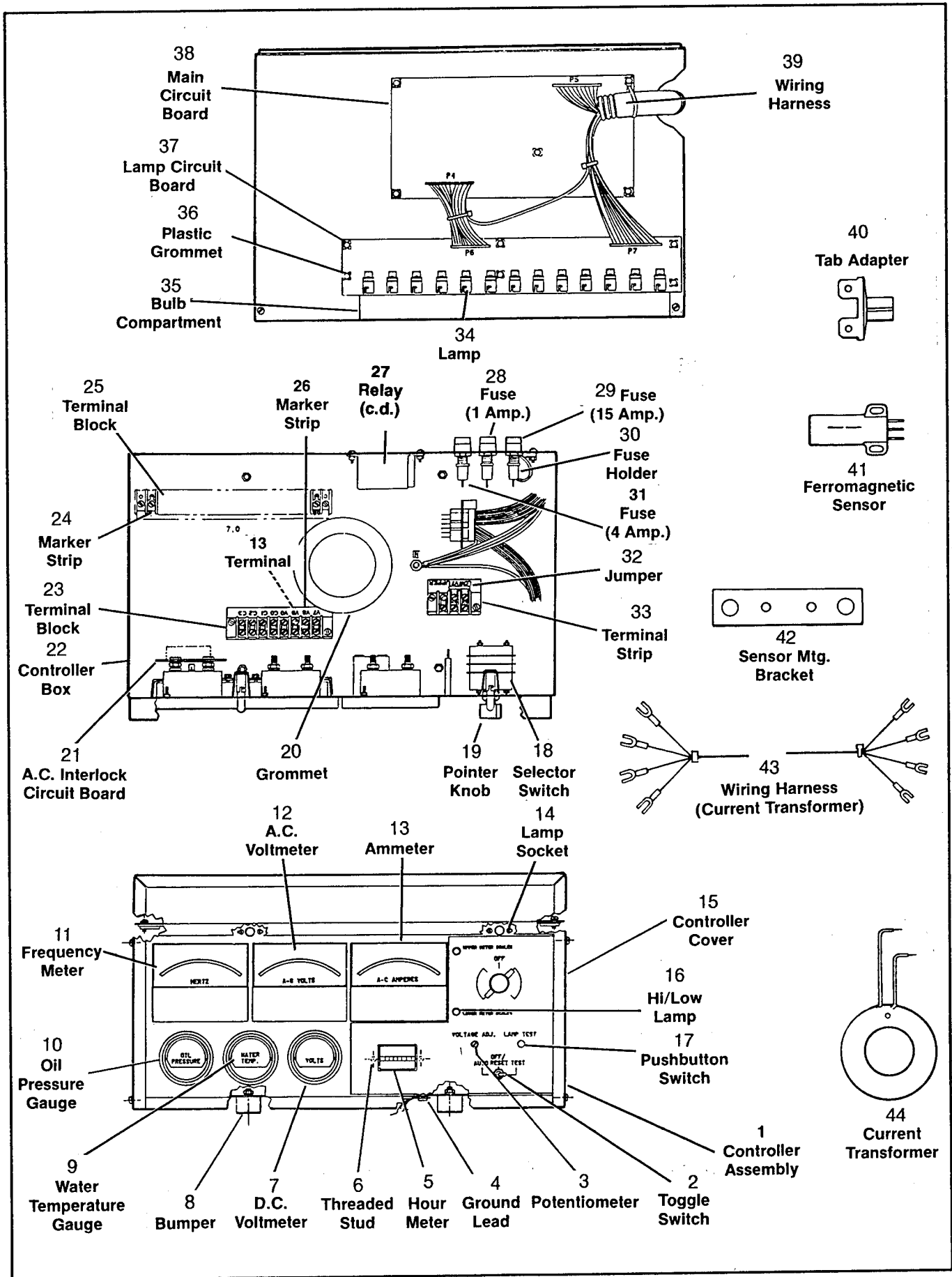


Group 301: Controller and Mounting (Dec II Controller)

Item	Qty.	Description Variation	Part No.
1	1	Controller assembly 179-8, 179-9	B-282837
	1	Controller assembly 179-1	B-282836
	1	Controller assembly 179-2, 179-18	B-282838
	1	Controller assembly 179-11	B-282840
	1	Controller assembly 178-13	B-282844
	1	Controller assembly 179-6	B-282931
	1	Controller assembly 179-10	B-282839
		Item 1 includes items 2 through 39.	
2	1	Switch, toggle 178-13, 179-1, 179-2, 179-6, 179-8, 179-9, 179-10, 179-11, 179-18	287812
3	1	Potentiometer assembly 178-13, 179-1, 179-2, 179-6, 179-8, 179-9, 179-10, 179-11, 179-18	A-255041
4	1	Lead, ground 178-13, 179-1, 179-2, 179-6, 179-8, 179-9, 179-10, 179-11, 179-18	230857
5	1	Meter, hour 178-13, 179-1, 179-2, 179-6, 179-8, 179-9, 179-10, 179-11, 179-18	238736
6	1	Studded, thread 178-13, 179-1, 179-2, 179-6, 179-8, 179-9, 179-10, 179-11, 179-18	282831
7	1	Voltmeter, D.C. 178-13, 179-1, 179-2, 179-6, 179-8, 179-9, 179-10, 179-11, 179-18	253329

Item	Qty.	Description Variation	Part No.
8	1	Bumper 178-13, 179-1, 179-2, 179-6, 179-8, 179-9, 179-10, 179-11, 179-18	255443
9	1	Gauge, water temperature 178-13, 179-1, 179-2, 179-6, 179-8, 179-9, 179-10, 179-11, 179-18	282898
10	1	Gauge, oil pressure 178-13, 179-1, 179-2, 179-6, 179-8, 179-9, 179-10, 179-11, 179-18	282897
11	1	Meter, frequency 178-13, 179-1, 179-2, 179-6, 179-8, 179-9, 179-10, 179-11, 179-18	282818
12	1	Voltmeter, A.C. 178-13, 179-1, 179-2, 179-6, 179-8, 179-9, 179-10, 179-11, 179-18	282816
13	1	Ammeter 179-6, 179-8, 179-9	282800
	1	Ammeter 179-1, 179-10	282801
	1	Ammeter 179-2, 179-18	282802
	1	Ammeter 179-11	282804
	1	Ammeter 178-13	282805
14	1	Socket, lamp 178-13, 179-1, 179-2, 179-6, 179-8, 179-9, 179-10, 179-11, 179-18	284990
15	1	Cover, controller 178-13, 179-1, 179-2, 179-6, 179-8, 179-9, 179-10, 179-11, 179-18	282835

Group 301: Controller and Mounting (Dec II Controller)

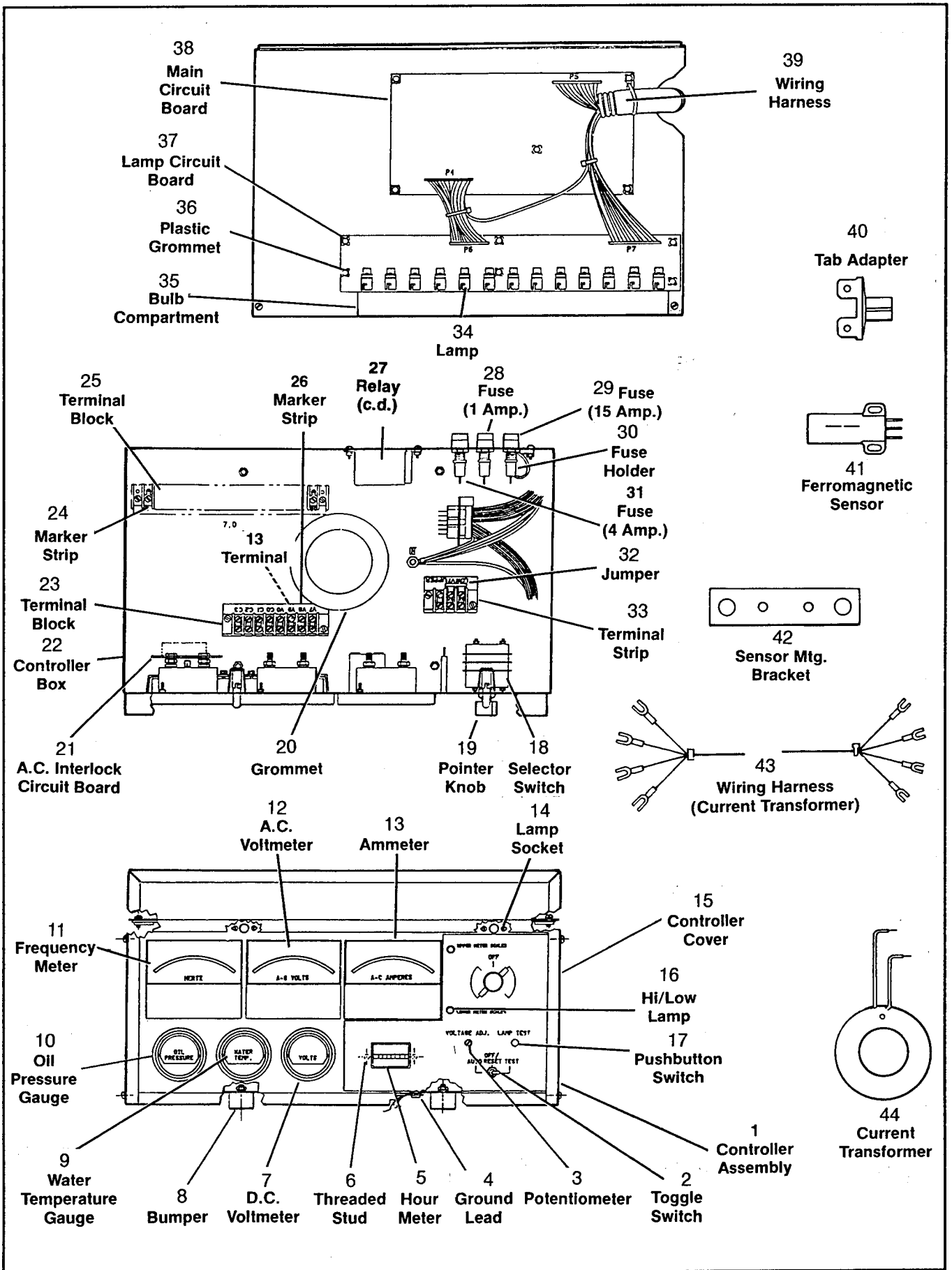


Group 301: Controller and Mounting (Dec II Controller)

Item	Qty.	Description Variation	Part No.
16	1	Lamp, high/low 178-13, 179-1, 179-2, 179-6, 179-8, 179-9, 179-10, 179-11, 179-18	291740
17	1	Switch, pushbutton 178-13, 179-1, 179-2, 179-6, 179-8, 179-9, 179-10, 179-11, 179-18	287524
18	1	Switch, selector 178-13, 179-1, 179-2, 179-6, 179-8, 179-9, 179-10, 179-11, 179-18	259821
19	1	Knob, pointer 178-13, 179-1, 179-2, 179-6, 179-8, 179-9, 179-10, 179-11, 179-18	269356
20	1	Grommet 178-13, 179-1, 179-2, 179-6, 179-8, 179-9, 179-10, 179-11, 179-18	X-284-16
21	1	A.C. interlock circuit board 178-13, 179-1, 179-2, 179-6, 179-8, 179-9, 179-10, 179-11, 179-18	D-287742
22	1	Box, controller 178-13, 179-1, 179-2, 179-6, 179-8, 179-9, 179-10, 179-11, 179-18	282834
23	1	Block, terminal 178-13, 179-1, 179-2, 179-6, 179-8, 179-9, 179-10, 179-11, 179-18	246115
24	1	Marker, strip 178-13, 179-1, 179-2, 179-6, 179-8, 179-9, 179-10, 179-11, 179-18	269377
25	1	Block, terminal 178-13, 179-1, 179-2, 179-6, 179-8, 179-9, 179-10, 179-11, 179-18	258891

Item	Qty.	Description Variation	Part No.
26	1	Marker, strip 178-13, 179-1, 179-2, 179-6, 179-8, 179-9, 179-10, 179-11, 179-18	282813
27	1	Relay (c.d.) 178-13, 179-1, 179-2, 179-6, 179-8, 179-9, 179-10, 179-11, 179-18	248362
28	1	Fuse, 1 AMP 178-13, 179-1, 179-2, 179-6, 179-8, 179-9, 179-10, 179-11, 179-18	284285
29	1	Fuse, 15 AMP 178-13, 179-1, 179-2, 179-6, 179-8, 179-9, 179-10, 179-11, 179-18	283645
30	1	Holder, fuse 178-13, 179-1, 179-2, 179-6, 179-8, 179-9, 179-10, 179-11, 179-18	238246
31	1	Fuse, 4 AMP 178-13, 179-1, 179-2, 179-6, 179-8, 179-9, 179-10, 179-11, 179-18	282896
32	1	Jumper 178-13, 179-1, 179-2, 179-6, 179-8, 179-9, 179-10, 179-11, 179-18	X-6048-2
33	1	Strip, terminal 178-13, 179-1, 179-2, 179-6, 179-8, 179-9, 179-10, 179-11, 179-18	223096
34	1	Lamp 178-13, 179-1, 179-2, 179-6, 179-8, 179-9, 179-10, 179-11, 179-18	255126
35	1	Compartment, bulb 178-13, 179-1, 179-2, 179-6, 179-8, 179-9, 179-10, 179-11, 179-18	287561

Group 301: Controller and Mounting (Dec II Controller)

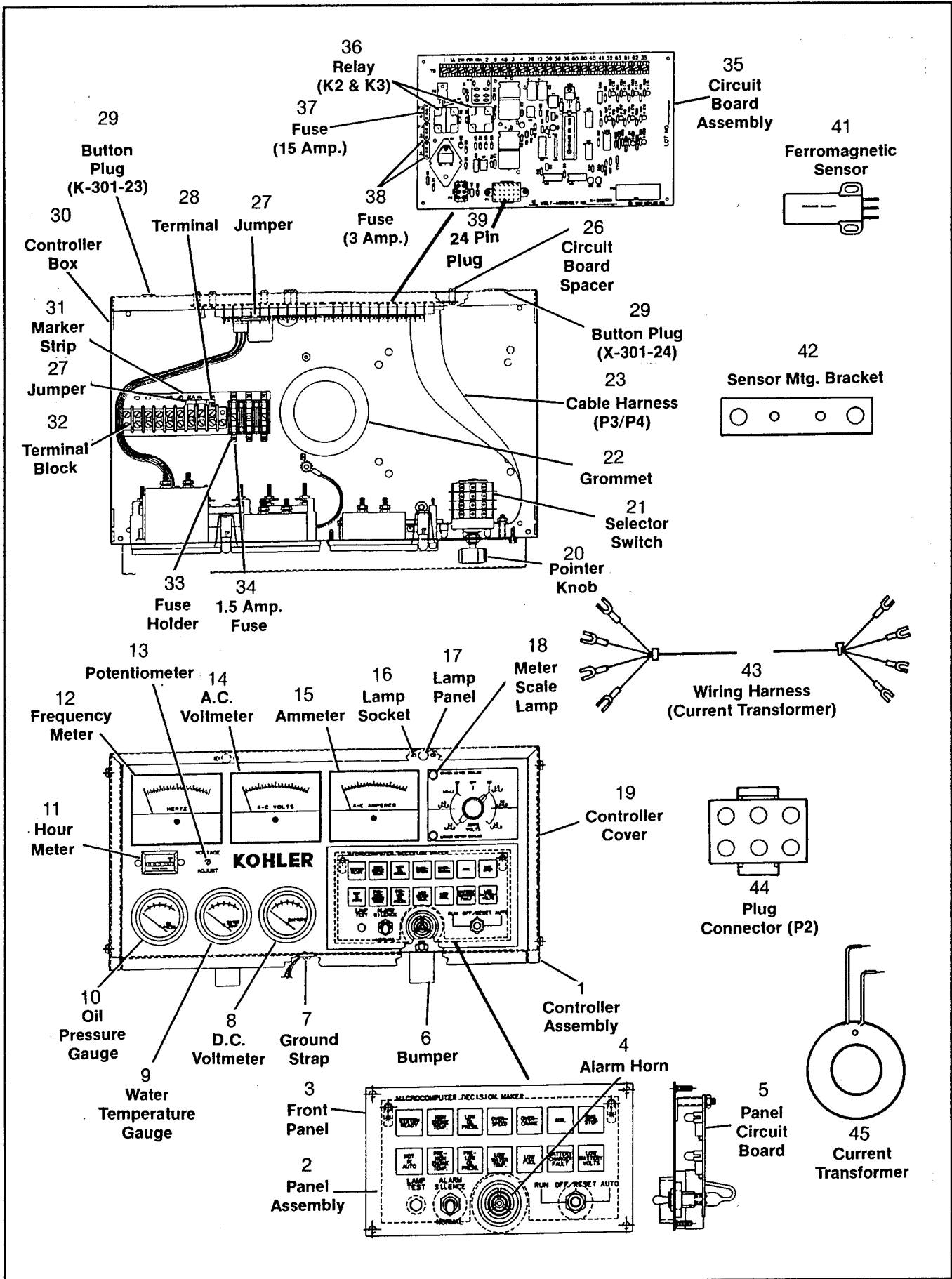


Group 301: Controller and Mounting (Dec II Controller)

Item	Qty.	Description Variation	Part No.
36	1	Grommet, plastic 178-13, 179-1, 179-2, 179-6, 179-8, 179-9, 179-10, 179-11, 179-18	X-593-1
37	1	Board, lamp circuit 178-13, 179-1, 179-2, 179-6, 179-8, 179-9, 179-10, 179-11, 179-18	292334
38	1	Main circuit board 178-13, 179-1, 179-2, 179-6, 179-8, 179-9, 179-10, 179-11, 179-18	C-292302
39	1	Harness, wiring 178-13, 179-1, 179-2, 179-6, 179-8, 179-9, 179-10, 179-11, 179-18	258888
40	3	Adapter, tab 178-13, 179-1, 179-2, 179-6, 179-8, 179-9, 179-10, 179-11, 179-18	287571
41	1	Sensor, ferromagnetic 178-13, 179-1, 179-2, 179-6, 179-8, 179-9, 179-10, 179-11, 179-18	241623

Item	Qty.	Description Variation	Part No.
42	1	Bracket, sensor mounting 178-13, 179-1, 179-2, 179-6, 179-8, 179-9, 179-10, 179-11, 179-18	257070
43	1	Harness, wiring 178-13, 179-1, 179-2, 179-6, 179-8, 179-9, 179-10, 179-11, 179-18	255040
44	1	Transformer, current 179-6, 179-9	246885
	1	Transformer, current 179-1	246886
	1	Transformer, current 179-2, 179-10, 179-18	246887
	1	Transformer, current 179-11	246889
	1	Transformer, current 178-13	248874

Group 301: Controller and Mounting (Dec-3 Controller)



Group 301: Controller and Mounting (Dec-3 Controller)

Item	Qty.	Description Variation	Part No.
1	1	Controller assembly 179-25	B-292831
	1	Controller assembly 179-22	B-292827
	1	Controller assembly 179-23, 179-24	B-292829
	1	Controller assembly 178-29	B-292832
	1	Controller assembly 179-21	B-292819
	1	Controller assembly 178-36	B-292930
		Item 1 contains items 2 through 40.	
2	1	Panel assembly 178-29, 178-36, 179-21, 179-22, 179-23, 179-24, 179-25	A-292808
		Item 2 contains items 3 through 5.	
3	1	Panel, front 178-29, 178-36, 179-21, 179-22, 179-23, 179-24, 179-25	292345
4	1	Alarm, horn 178-29, 178-36, 179-21, 179-22, 179-23, 179-24, 179-25	253886
5	1	Circuit, panel 178-29, 178-36, 179-21, 179-22, 179-23, 179-24, 179-25	A-292784
6	1	Bumper 178-29, 178-36, 179-21, 179-22, 179-23, 179-24, 179-25	292834
7	1	Strap, ground 178-29, 178-36, 179-21, 179-22, 179-23, 179-24, 179-25	241611
8	1	Voltmeter, D.C. 178-29, 178-36, 179-21, 179-22, 179-23, 179-24, 179-25	253329
9	1	Gauge, water temperature 178-29, 178-36, 179-21, 179-22, 179-23, 179-24, 179-25	282898

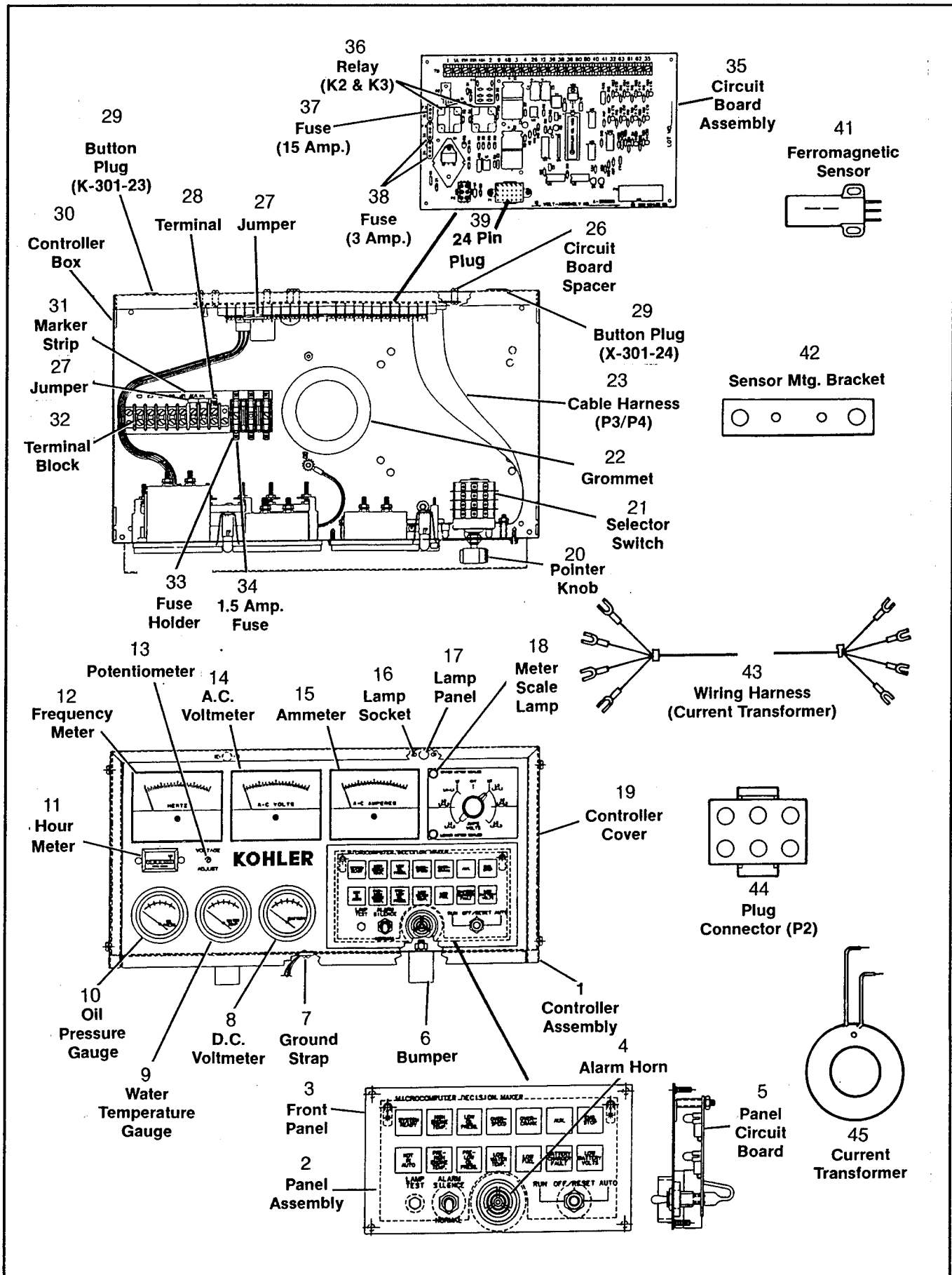
Item	Qty.	Description Variation	Part No.
10	1	Gauge, oil pressure 178-29, 178-36, 179-21, 179-22, 179-23, 179-24, 179-25	282897
11	1	Meter, hour 178-29, 178-36, 179-21, 179-22, 179-23, 179-24, 179-25	238736
12	1	Meter, frequency 178-29, 178-36, 179-21, 179-22, 179-23, 179-24, 179-25	282818
13	1	Potentiometer 178-29, 178-36, 179-21, 179-22, 179-23, 179-24, 179-25	A-255040
14	1	Voltmeter, A.C. 178-29, 178-36, 179-21, 179-22, 179-23, 179-24, 179-25	282816
15	1	Ammeter, A.C. 179-21	282800
	1	Ammeter, A.C. 179-22	282801
	1	Ammeter, A.C. 179-23, 179-24, 178-36	282802
	1	Ammeter, A.C. 179-25	282804
	1	Ammeter, A.C. 178-29	282805
16	2	Socket, lamp 178-29, 178-36, 179-21, 179-22, 179-23, 179-24, 179-25	284990
17	1	Lamp, panel 178-29, 178-36, 179-21, 179-22, 179-23, 179-24, 179-25	255126
18	1	Lamp, meter scale 178-29, 178-36, 179-21, 179-22, 179-23, 179-24, 179-25	291740
19	1	Cover, controller 178-29, 178-36, 179-21, 179-22, 179-23, 179-24, 179-25	292818

Group 301: Controller and Mounting (Dec-3 Controller)

Item	Qty.	Description Variation	Part No.
20	1	Knob, pointer 178-29, 178-36, 179-21, 179-22, 179-23, 179-24, 179-25	269356
21	1	Switch, selector 178-29, 178-36, 179-21, 179-22, 179-23, 179-24, 179-25	292373
22	1	Grommet 178-29, 178-36, 179-21, 179-22, 179-23, 179-24, 179-25	X-284-31
23	1	Harness, cable 178-29, 178-36, 179-21, 179-22, 179-23, 179-24, 179-25	292836
24	1	Panel, hinged (not shown) 178-29, 178-36, 179-21, 179-22, 179-23, 179-24, 179-25	292908
25	1	Spacer, circuit board 178-29, 178-36, 179-21, 179-22, 179-23, 179-24, 179-25	287948
26	1	Jumper 178-29, 178-36, 179-21, 179-22, 179-23, 179-24, 179-25	X-6048-2
27	1	Terminal 178-29, 178-36, 179-21, 179-22, 179-23, 179-24, 179-25	238898
28	1	Plug, button 178-29, 178-36, 179-21, 179-22, 179-23, 179-24, 179-25	X-301-24
29	1	Box, controller 178-29, 178-36, 179-21, 179-22, 179-23, 179-24, 179-25	292375
30	1	Marker, strip 178-29, 178-36, 179-21, 179-22, 179-23, 179-24, 179-25	292893

Item	Qty.	Description Variation	Part No.
31	1	Block, terminal 178-29, 178-36, 179-21, 179-22, 179-23, 179-24, 179-25	246115
32	1	Holder, fuse 178-29, 178-36, 179-21, 179-22, 179-23, 179-24, 179-25	292821
33	1	Fuse, 1.5 AMP 178-29, 178-36, 179-21, 179-22, 179-23, 179-24, 179-25, 178-29, 179-22, 179-23, 179-25	291207
34	1	Circuit board assembly 178-29, 178-36, 179-21, 179-22, 179-23, 179-24, 179-25	B-292357
	1	Circuit board assembly 178-29, 178-36, 179-21, 179-22, 179-23, 179-24, 179-25	G-292806
		Item 35 contains items 36 through 40.	
35	2	Relay (K2 & K3) 178-29, 178-36, 179-21, 179-22, 179-23, 179-24, 179-25	292802
36	1	Fuse, 15 AMP 178-29, 178-36, 179-21, 179-22, 179-23, 179-24, 179-25	283645
37	2	Fuse, 3 AMP 178-29, 178-36, 179-21, 179-22, 179-23, 179-24, 179-25	243273
38	1	24 pin plug 178-29, 178-36, 179-21, 179-22, 179-23, 179-24, 179-25	255914
		Item 39 contains item 40.	
39	1	Pins 178-29, 178-36, 179-21, 179-22, 179-23, 179-24, 179-25	292838
40	1	Sensor, ferromagnetic 178-29, 178-36, 179-21, 179-22, 179-23, 179-24, 179-25	241623

Group 301: Controller and Mounting (Dec-3 Controller)



Group 301: Controller and Mounting (Dec-3 Controller)

Item	Qty.	Description Variation	Part No.
41	1	Bracket, sensor mounting 178-29, 178-36, 179-21, 179-22, 179-23, 179-24, 179-25	257070
42	1	Harness, wiring 178-29, 179-21, 179-22, 179-23, 179-24, 179-25	255040
43	1	Plug, connector 178-29, 179-21, 179-22, 179-23, 179-24, 179-25	241617

Item	Qty.	Description Variation	Part No.
44	3	Tansformer, current 179-2, 179-22	246886
	3	Transformer, current 178-36, 179-29, 179-23, 179-24	246887
	3	Transformer, current 179-25	246889

Group 701: Literature

Item	Qty.	Description Variation	Part No.
1		Installation Guide	ES-420
2		Parts Catalog, 20-100 RZ	TP-5276
		Parts Catalog, Ford LSG-423 engine	TP-5172
		Parts Catalog, Ford CSG-649 engine	TP-5186
		Parts Catalog, Ford LSG-875 engine	TP-5194
3		Service Manual, FRII generator	TP-5262
		Service Manual, Ford LSG-423 engine	TP-5184

Item	Qty.	Description Variation	Part No.
		Service Manual, Ford CSG-649 engine	TP-5185
		Service Manual, Ford LSG-875 engine	TP-5171
4		Operation Manual, FRII generator	TP-5255
		Operation Manual, Ford LSG-423 engine	TP-5208
		Operation Manual, Ford CSG-649 engine	TP-5151
		Operation Manual, Ford LSG-875 engine	TP-5209

Accessories

Qty.	Description	Kit/Part No.
------	-------------	--------------

Air Duct Frames

Air Duct Frame Kit 20-45 RZ **PA-255169**

1	Frame, air duct	255117
10	Screw, drill hex.	X-794-2

Air Duct Frame Kit 60-80 RZ **PA-253563**

1	Frame, air duct	255282
12	Screw, drill hex	X-794-1

Air Duct Frame Kit 100 RZ **PA-255472**

1	Frame, air duct	255469
10	Screw, drill hex	X-794-1

Alarm Horns

Alarm Horn (Relay Controller) **PA-255386**

1	Ring, lock	151511
1	Relay	245748
1	Harness, wiring	255121
1	Diode assembly	255197
1	Switch, toggle	268015
1	Horn, warning	268564
1	Bracket, horn	283746
1	Nut, horn	283747
1	Clip component	287949
1	Flasher	287950
1	Nameplate	289932

Alarm Horn (Dec II Controller) **PA-255118**

1	Ring, lock	151511
1	Relay	245748
1	Harness, wiring	255121
1	Diode assembly	255197
1	Switch, toggle	268015
1	Horn, warning	268564
1	Bracket, horn	283746
1	Nut, horn	283747
1	Clip component	287949
1	Flasher	287950
1	Nameplate	289932

Qty.	Description	Kit/Part No.
------	-------------	--------------

Anticipatory Alarms

Anticipatory Alarm 20 RZ **PA-255339**

2	Tee black iron 3/8"	X-203-15
2	Nipple, pipe 3/8" x 1"	X-204-9
1	Connector, hose	X-582-9
1	Switch, temperature (Hwt)	255242
1	Switch, temperature (Lwt)	255264
1	Switch, pressure (Std)	271425

Anticipatory Alarm 60, 70 RZ **PA-255415**

1	Switch, temperature (Hwt)	241481
1	Switch, temperature (Lwt)	255264
1	Switch, pressure (Std)	271425

Anticipatory Alarm 20 RZ **PA-255486**

1	Bushing, reducer 3/8"	X-202-28
1	Switch, temperature (Hwt)	253743
1	Switch, pressure (Std)	271662
1	Switch, temperature (Lwt)	290090

Anticipatory Alarm 30, 45 RZ **PA-255072**

1	Switch, temperature	240976
1	Switch, pressure	271662
1	Switch, temperature (anti)	290090

Anticipatory Alarm 30, 45 RZ **PA-255073**

1	Bushing, reducer	X-202-27
1	Switch, temperature (Hwt)	240976
1	Switch, temperature (Lwt)	255264
1	Switch, pressure	271425

Anticipatory Alarm 80, 100 RZ **PA-255916**

1	Switch, high temperature	241481
1	Switch, low temperature	255264
1	Switch, pressure	255913

Audio-Visual Alarms

Audio-Visual Alarm (Dec-3 Controller)

		PA-292856
1	Circuit board assembly	A-292883
4	Spacer	X-217-9

Accessories

Qty.	Description	Kit/Part No.
1	Lens (red)	253241
1	Plate, wall	292815
4	Screw, mounting	292828
1	Decal	292886

Battery Chargers

Battery Charger Kit PAA-248952

12 Volt, Trickle Charge

1	Terminal, breaker	X-283-8
2	Block, terminal	X-405-2
1	Terminal, ammeter	X-431-27
9	Terminal	X-431-28
2	Connector, non-metal	X-567-1
4	Screw, drill	X-794-2
1	Holder, fuse	238426
1	Cord, power	246185
1	Cover, battery charger	246604
1	Box, battery charger	248951
1	Ammeter, DC	269202
1	Transformer	269204
4	Spacer, screen	270833
1	Fuse, 1.5 amp.	291207
1	Lamp	291208
1	Resistor (R1)	291209
1	Switch, slide (high/low)	291210
1	Switch, slide (12/24 volt)	291211
1	Rectifier, silicon	291212
1	Resistor (R2)	291213
1	Cable, positive	291215
1	Cable, negative	291216
1	Nameplate, front	291220
1	Nameplate, specification	291221
1	Breaker, circuit	291265
1	Rheostat	291975

Battery Charger Kit PA-262307

12 Volt, Float Charge

1	Circuit board assembly	A-262320
1	Circuit board assembly	B-241844
2	Terminal, transformer	X-431-23
4	Terminal, main circuit	X-431-24
2	Connector, non-metal	X-567-1
4	Grommet, plastic	X-593-3
1	Ammeter	241839
1	Cord, power	241842
1	Voltmeter	241847
1	Breaker, circuit (AC)	241877
1	Breaker, circuit (DC)	241879
1	Sink, heat	241959
1	Module, SCR	241960
1	Relay (CD)	248362

Qty.	Description	Kit/Part No.
1	Marker, strip	262227
1	Block, terminal	262233
4	Support, circuit board	262237
1	Lamp, suppressor	262239
1	Cover, battery charger	262287
1	Bracket, heatsink mounting	262288
1	Transformer	262304
1	Decal, front	262311
1	Nameplate, specifications	262312
1	Box, battery charger	262314
1	Relay (CM)	262317
1	Block, terminal	262318
1	Decal, DC terminal block	262324
3	Spacer, PC board	287948
1	Lamp, power on	291208
1	Decal, warning	291896

Battery Charger Kit PA-262308

24 Volt, Float Charge

1	Circuit board assembly (low voltage)	A-262315
1	Circuit board assembly (main)	B-241851
1	Insulink	X-367-6
2	Terminal, transformer	X-431-23
4	Terminal, main circuit board	X-431-24
2	Connector, non-metal	X-567-1
4	Grommet, plastic	X-593-3
1	Ammeter	241839
1	Voltmeter	241847

Battery Rack Kit PA-255113

1	Cable, battery	X-545-37
1	Cable, battery	X-545-53
2	Stud battery hold down	274200
1	Rack, battery	288582
1	Clamp, battery	288614

Battery Rack Kit PA-255413

1	Cable, battery	X-545-49
1	Cable, battery	X-545-50
2	Screw, drill hex	X-794-1
1	Rack, battery	255247
2	Stud, battery hold down	274200
1	Clamp, battery	288614

Accessories

Qty.	Description	Kit/Part No.
------	-------------	--------------

Block Heater

Block Heater Kit PA-255075

1 Heater, frost plug 255188

Block Heater Kit PA-255301

1 Heater, frost plug 255337

Block Heater Kit PA-255338

1 Coupling, reducer X-250-11
1 Nipple, pipe X-204-9
1 Heater, frost plug 255337

Droop Compensator

Droop Compensator Kit PA-290940

1 Rheostat, 10 ohm X-270-1
1 Nameplate 283869
1 Transformer 283917

Droop Compensator Kit PA-290941

1 Rheostat, 10 ohm X-270-1
1 Nameplate 283869
1 Transformer 283918

Droop Compensator Kit PA-290942

1 Rheostat, 10 ohm X-270-1
1 Nameplate 283869
1 Transformer 283919

Dry Contact Kit

Dry Contact Kit (Dec II Controller)

PA-282936

5 Circuit Board Assembly A-287924
2 Connector, conduit X-252-2
14 Terminal X-285-1
29 Terminal X-285-9
1 Button, plug X-301-27
1 Conduit X-6003-21
1 Track, mounting X-6008-3
12 Screw, drill X-794-2

Qty.	Description	Kit/Part No.
------	-------------	--------------

5 Relay 241600
1 Panel 282885
1 Panel 282886
1 Box, junction 282887
1 Socket assembly 291273

Dry Contact Kit (Dec-3 Controller)

PA-292891

1 Circuit Board Assembly A-292878
6 Spacer, circuit board X-712-9
6 Stud, self-clinching X-6205-3
4 Screw, phillips hex X-6216-1
1 Box, dry contact 292888
1 Cover, dry contact 292889
1 Harness, wiring 292914

Emergency Stop Kit (Dec II Controller)

PA-292786

1 Panel, glass 292787

Emergency Stop Kit (Dec-3 Controller)

PA-292881

1 Switch, emergency stop A-292785
1 Relay, K4 241736
1 Clamp, relay hold down 295271

Fast Check Harness

Fast Check Engine Simulator

(Dec II and Dec-3 Controllers) B-291930

Fast Check Harness (Dec II Controllers)

269955

Fast Check Harness

PA-255915

Flexible Fuel Line

Flexible Fuel Line Kit

PA-255077

2 Clamp, spring hose X-309-16
1 Connector, hose X-380-1
1 Line, flexible fuel X-386-56

Flexible Fuel Line Kit

PA-255177

1 Bushing, reducer X-202-1
1 Nipple, pipe X-206-2
1 Coupling, pipe X-216-12
1 Line, flexible fuel 266453

Accessories

Qty.	Description	Kit/Part No.
Flexible Fuel Line Kit PA-255300		
1	Line, flexible fuel	X-386-32
4	Clamp, hose	X-426-9
1	Line, flexible fuel	X-6078-1

Flexible Fuel Line Kit PA-255599		
1	Bushing, reducer	X-202-32
1	Line, flexible fuel	266453

Flexible Exhaust

Flexible Exhaust Kit PA-255078		
1	Clamp, U	X-722-2
1	Clamp, U	X-722-5
1	Hose, flexible exhaust	X-797-9

Flexible Exhaust Kit PA-255308		
1	Hose, flexible exhaust	X-797-22
1	Clamp, exhaust pipe	286283
1	Clamp, exhaust pipe	286286

Flexible Exhaust Kit PA-255320		
1	Clamp, U	X-722-2
1	Clamp, U	X-722-5
1	Hose, flexible exhaust	X-797-23

Flexible Exhaust Kit PA-255569		
1	Hose, flexible exhaust	X-797-18
1	Tube, exhaust	255589
1	Clamp, muffler	288827
2	Clamp, exhaust pipe	289372

Generator Strip Heater

Generator Strip Heater Kit PA-253213		
2	Heater, strip	291269

Muffler Mounting Kits

Muffler Mounting Kit, Critical PA-255124		
1	Clamp, U	X-722-5
4	Stud, hold down	253307

Qty.	Description	Kit/Part No.
2	Bracket, muffler	253310
1	Adapter, exhaust	255380
4	Bumper	259632
2	Strap, muffler	290865

Muffler Mounting Kit, Critical PA-255306		
2	Stud, hold down	253307
1	Pipe, exhaust	255307
1	Adapter, exhaust	255308
1	Bracket, muffler	255559
2	Bumper	259632
2	Clamp, exhaust pipe	286283
1	Strap, muffler	290865

Muffler Mounting Kit, Critical PA-255328		
1	Clamp, U	X-722-5
1	Adapter, exhaust	255330
4	Bumper	259632
1	Clamp, muffler	277706
1	Mount, air cleaner	279380

Muffler Mounting Kit, Critical PA-255566		
1	Clamp, U	X-722-2
2	Stud, hold down	253307
1	Bracket, muffler	253310
1	Adapter, exhaust	255568
2	Bumper	259632
1	Clamp, exhaust pipe	289372
1	Strap, muffler	290865

Muffler Mounting Kit, Industrial PA-255125		
4	Stud, hold down	253307
2	Bracket, muffler	253310
1	Pipe, exhaust	255122
4	Bumper	259632
1	Clamp, exhaust pipe	286283
2	Strap, muffler	290864

Muffler Mounting Kit, Industrial PA-255304		
2	Stud, hold down	253307
1	Pipe, exhaust	255305
1	Bracket, muffler	255559
2	Bumper	259632
2	Clamp, exhaust pipe	289372
1	Strap, muffler	290864

Muffler Mounting Kit, Industrial PA-255327		
1	Clamp, U	X-722-5
2	Band, mounting	255329
1	Adapter, exhaust	255330

Accessories

Qty.	Description	Kit/Part No.
4	Bumper	259632
1	Clamp, muffler	277706
Muffler Mounting Kit, Industrial		PA-255567
1	Clamp, U	X-722-2
2	Stud, hold down	253307
1	Bracket, muffler	253310
1	Adapter, exhaust	255568
2	Bumper	259632
1	Clamp, exhaust pipe	289372
1	Strap, muffler	290864

Overvoltage Protection

Overvoltage Protection Kit		PA-291746
1	Board assembly, circuit	F-291739
1	Terminal	X-367-1

Remote Annunciator

Remote Annunciator Kit		PAB-287803
1	Annunciated board assembly	A-287800
1	Grommet, 1-3/8"	X-284-3
6	Screw, drill	X-794-2
1	Bracket, wall mounting	253346
1	Harness, wiring	253349
1	Panel, front	253350
1	Decal, marker	280995
1	Block, terminal	282830
1	Nameplate	287797
1	Panel, side	287798

Weather Housing

Weather Housing Kit		PA-255103
12	Screw, drill hex	X-794-1
2	Bracket, mounting	253063
6	Door, housing	253072
1	Plug	253268
6	Latch	253373
1	Roof, housing	255101
1	Shroud, rear housing	255614

Qty.	Description	Kit/Part No.
Weather Housing Kit		PA-255261
12	Screw, drill hex	X-794-1
2	Bracket, mounting	253063
4	Door, housing	253072
1	Plug	253268
4	Latch	253373
1	Roof, housing	255215
2	Panel	255219
1	Shroud radiator	255283
1	Shroud, rear housing	255614

Weather Housing Kit		PA-255302
12	Screw, drill hex	X-794-1
2	Bracket, mounting	253063
6	Door, housing	253072
1	Plug	253268
6	Latch	253373
1	Roof, housing	255303
1	Shroud, rear housing	255618

Weather Housing Kit		PA-255570
12	Screw, drill hex	X-794-1
2	Bracket, mounting	253063
1	Plug	253268
6	Latch	253373
6	Door, housing	255097
1	Shroud, rear housing	255420
1	Roof, housing	255572

Weather Housing Kit		PA-255571
12	Screw, drill hex	X-794-1
2	Bracket, mounting	253063
6	Door, housing	253072
1	Plug	253268
6	Latch	253373
1	Roof, housing	255573
1	Shroud, rear housing	255619

Safeguard Breaker

Safeguard Breaker Kit		PA-255147
20 RZ, 240V, 1Ø		
1	Transformer	246885
1	Safeguard breaker	X-796-1

Safeguard Breaker Kit		PA-255140
20 RZ, 208V, 240V, 480V, 3Ø		
3	Transformer	246885
1	Safeguard breaker	X-796-3

Accessories

Qty.	Description	Kit/Part No.
	Safeguard Breaker Kit 20 RZ, 600V, 3Ø	PA-255144
3	Transformer	246885
1	Safeguard breaker	X-796-4
	Safeguard Breaker Kit 30 RZ, 208V, 240V, 480V, 3Ø 45 RZ, 600V, 3Ø 50 RZ, 600V, 3Ø	PA-255133
3	Transformer	246886
1	Safeguard breaker	X-796-1
	Safeguard Breaker Kit 30 RZ, 600V, 3Ø	PA-255147
3	Transformer	246886
1	Safeguard breaker	X-796-1
	Safeguard Breaker Kit 30 RZ, 240V, 1Ø	PA-255146
3	Transformer	246886
1	Safeguard breaker	X-796-6
	Safeguard Breaker Kit 45 RZ, 208V, 240V, 480V, 3Ø 60 RZ, 600V, 3Ø	PA-255132
3	Transformer	246887
1	Safeguard breaker	X-796-1
	Safeguard Breaker Kit 50 RZ, 208V, 240V, 480V, 3Ø	PA-255130
3	Transformer	246887
1	Safeguard breaker	X-796-2
	Safeguard Breaker Kit 45 RZ, 240V, 1Ø 70 RZ, 600V, 3Ø	PA-255143
3	Transformer	246887
1	Safeguard breaker	X-796-2
	Safeguard Breaker Kit 50 RZ, 240V, 1Ø 80 RZ, 600V, 3Ø	PA-255141
3	Transformer	246887
1	Safeguard breaker	X-796-6
	Safeguard Breaker Kit 60 RZ, 240V, 1Ø 100 RZ, 600V, 3Ø	PA-255149
3	Transformer	246889
1	Safeguard breaker	X-796-1

Qty.	Description	Kit/Part No.
	Safeguard Breaker Kit 70 RZ, 240V, 1Ø 70 RZ, 208V, 240V, 480V, 3Ø 80 RZ, 220V, 1Ø 80 RZ, 190V, 208V, 380V, 3Ø	PA-255155
3	Transformer	246889
1	Safeguard breaker	X-796-2
	Safeguard Breaker Kit 60 RZ, 208V, 240V, 480V, 3Ø	PA-255142
3	Transformer	246889
1	Safeguard breaker	X-796-3
	Safeguard Breaker Kit 80 RZ, 208V, 240V, 480V, 3Ø	PA-255129
3	Transformer	246889
1	Safeguard breaker	X-796-6
	Safeguard Breaker Kit 100 RZ, 208V, 240V, 480V, 3Ø	PA-255159
3	Transformer	248874
1	Safeguard breaker	X-796-2
	Safeguard Breaker Kit 100 RZ, 240V, 1Ø 125 RZ, 600V, 3Ø	PA-255157
3	Transformer	248874
1	Safeguard breaker	X-796-6
	Safeguard Breaker Kit 125 RZ, 240V, 1Ø 125 RZ, 208V, 240V, 480V, 3Ø	PA-255163
3	Transformer	248875
1	Safeguard breaker	X-796-2
	Safeguard Breaker Kit 80 RZ, 208V, 240V, 480V, 3Ø	PA-255153
3	Transformer	246889
1	Safeguard breaker	X-796-6
	Safeguard Breaker Kit 20 RZ, 240V, 1Ø 30 RZ, 208V, 240V, 480V, 3Ø 30 RZ, 600V, 3Ø 45 RZ, 208V, 240V, 480V, 3Ø 45 RZ, 600V, 3Ø 50 RZ, 600V, 3Ø 60 RZ, 240V, 1Ø 60 RZ, 600V, 3Ø 100 RZ, 240V, 1Ø 100 RZ, 600V, 3Ø	PA-255127
1	Safeguard breaker	X-796-1

Accessories

Qty.	Description	Kit/Part No.
	Safeguard Breaker Kit	PA-255131
	20 RZ, 208V, 240V, 480V, 3Ø	
	60 RZ, 208V, 240V, 480V, 3Ø	
1	Safeguard breaker	X-796-3
	Safeguard Breaker Kit	PA-255128
	20 RZ, 600V, 3Ø	
1	Safeguard breaker	X-796-4
	Safeguard Breaker Kit	PA-255130
	45 RZ, 240V, 1Ø	
	50 RZ, 208V, 240V, 480V, 3Ø	
	70 RZ, 240V, 1Ø	
	70 RZ, 208V, 240V, 480V, 3Ø	
	70 RZ, 600V, 3Ø	
	80 RZ, 240V, 1Ø	
	80 RZ, 220V, 1Ø	
	80 RZ, 190V, 208V, 380V, 3Ø	
	100 RZ, 208V, 240V, 480V, 3Ø	
1	Safeguard breaker	X-796-2
	Safeguard Breaker Kit	PA-255129
	30 RZ, 240V, 1Ø	
	50 RZ, 240V, 1Ø	
	80 RZ, 208V, 240V, 480V, 3Ø	
	80 RZ, 600V, 3Ø	
1	Safeguard breaker	X-796-6
	Line Circuit Breaker	
	Line Circuit Breaker Kit	PA-255114
	60 RZ, 50 Hertz, 110/200	
	40 RZ, 208/240V, 3Ø	
1	Breaker, 150 AMP	X-786-28
	Line Circuit Breaker Kit	PA-255064
	70 RZ, 60 Hertz, 120/208V, 139/240V, 3Ø	
	70RZ, 50 Hertz, 110/190V, 3Ø	
	80 RZ, 60 Hertz, 120/208V, 3Ø	
	100 RZ, 60 Hertz, 120/240V, 120/208V, 139/240V, 3Ø	
1	Breaker, 350 AMP	X-786-34
	Line Circuit Breaker Kit	PA-255412
	70RZ, 50 Hertz, 220/380V, 3Ø	
	70RZ, 60 Hertz, 277/480V, 3Ø	
1	Breaker, 125 AMP	X-786-15
	Line Circuit Breaker Kit	PA-255060
	70 RZ, 60 Hertz, 120/240V, 1Ø	
	70 RZ, 50 Hertz, 110/220V, 240V, 1Ø	
	80 RZ, 60 Hertz, 120/240V, 1Ø	
	80 RZ, 50 Hertz, 110/220V, 1Ø	
	100 RZ, 60 Hertz, 120/240V, 110/120V, 1Ø	
1	Breaker, 400 AMP	X-786-45

Qty.	Description	Kit/Part No.
	Line Circuit Breaker Kit	PA-255598
	80 RZ, 60 Hertz, 120/240V, 139/240V, 3Ø	
	80 RZ, 50 Hertz, 110/220V, 120/208, 139/240, 3Ø	
1	Breaker, 250 AMP	X-786-32
	Line Circuit Breaker Kit	PA-255070
	277/480V, 3Ø	
	80 RZ, 60 Hertz, 227/480V, 3Ø	
	80 RZ, 50 Hertz, 277/480V, 3Ø	
	100 RZ, 60 Hertz, 277/480V,	
1	Breaker, 150 AMP	X-786-16
	Line Circuit Breaker Kit	PA-253176
	125 RZ, 208V, 3Ø	
	150 RZ, 240V, 3Ø	
1	Breaker, 500 AMP	290861
	Line Circuit Breaker Kit	PA-255482
	150 RZ, 480V, 3Ø	
1	Breaker, 300 AMP	X-786-19
	Line Circuit Breaker Kit	PA-255068
	20 RZ, 60 Hertz, 120/240V, 1Ø	
	20 RZ, 60 Hertz, 120/240V, 120/208V, 139/240V, 3Ø	
	20 RZ, 50 Hertz, 110/220V, 1Ø	
	20 RZ, 50 Hertz, 110/190V, 3Ø	
	30 RZ, 50 Hertz, 110/200V, 3Ø	
	45 RZ, 60 Hertz, 227/480V, 3Ø	
	50 480FV, 1Ø	
1	Breaker, 80 AMP	253255
	Line Circuit Breaker Kit	PA-255066
	20 RZ, 50 Hertz, 220/380V, 3Ø	
	20 RZ, 60 Hertz, 227/480V, 3Ø	
1	Breaker, 40 AMP	269252
	Line Circuit Breaker Kit	PA-255067
	20 RZ, 50 Hertz, 110/200V, 120/208V 30RZ, 480V, 3Ø	
	20 RZ, 50 Hertz, 120/208V, 3Ø	
	20 RZ, 50 Hertz, 110/220V, 1Ø	
1	Breaker, 60 AMP	253224
	Line Circuit Breaker Kit	PA-255057
	30 RZ, 60 Hertz, 120/240V, 1Ø	
	30 RZ, 60 Hertz, 227/480V, 3Ø	
	30 RZ, 50 Hertz, 110/200V, 1Ø	
1	Breaker, 150 AMP	X-786-39

Accessories

Qty.	Description	Kit/Part No.
	Line Circuit Breaker Kit	PA-255069
	30 RZ, 60 Hertz, 120/240V, 120/208V,139/240V, 3Ø	
	30RZ, 50 Hertz, 120/208V, 110/190V, 208/240V, 3Ø	
	45 RZ, 50 Hertz, 220/380V, 3Ø	
	60 RZ, 60 Hertz, 277/480V, 3Ø	
	60 RZ, 50 Hertz, 220/380V, 480V, 3Ø	
1	Breaker, 100 AMP	253226
	Line Circuit Breaker Kit	PA-255061
	45RZ, 60 Hertz, 120/240V, 120/208V,139/240V, 3Ø	
	45RZ, 50 Hertz, 110/200V, 120/208V, 110/190V, 3Ø	
	60 RZ, 50 Hertz, 110/190V, 120/208V, 3Ø	
1	Breaker, 175 AMP	X-786-29
	Line Circuit Breaker Kit	PA-255059
	60 RZ, 60 Hertz, 120/240V, 1Ø	
1	Breaker, 250 AMP	X-786-3
	Line Circuit Breaker Kit	PA-255058
	40 RZ, 240V, 1Ø	
	45 RZ, 240V, 1Ø	
	45 RZ, 50 Hertz, 110/220V,1Ø	
	50 RZ, 240V, 1Ø	
	60 RZ, 50 Hertz, 110/220V,1Ø	
1	Breaker, 225 AMP	X-786-40

Qty.	Description	Kit/Part No.
	Line Circuit Breaker Kit	PA-255063
	60 RZ, 60 Hertz, 120/240V, 120/208V, 139/240V, 3Ø	
	70 RZ, 60 Hertz, 120/240V, 3Ø	
	70 RZ, 50 Hertz, 110/220V, 120/208V, 208/240V, 3Ø	
1	Breaker, 225 AMP	X-786-31
	Line Circuit Breaker Kit	PA-255065
	100 RZ, 60 Hertz, 110/220V, 139/240V, 3Ø	
	125 RZ,240V, 3Ø	
1	Breaker, 400 AMP	X-786-45
	Line Circuit Breaker Kit	PA-255071
	125 RZ, 60 Hertz, 480V, 3Ø	
1	Breaker, 225 AMP	X-786-38
	Line Circuit Breaker Kit	PA-291441
	150 RZ 208V, 3Ø	
1	Breaker, 600 AMP	291441
	Generator Paint	
1	Kohler Cream Beige (gallon)	221322
1	Kohler Cream Beige (spray can)	221331

TP-5704 3/94

PRINTED IN U.S.A.

KOHLER®
POWER SYSTEMS

KOHLER CO. KOHLER, WISCONSIN 53044
PHONE 414-565-3381
FAX 414-459-1646 (North American Sales), 414-459-1614 (International)
FOR SALES & SERVICE IN U.S.A. & CANADA PHONE 1-800-544-2444