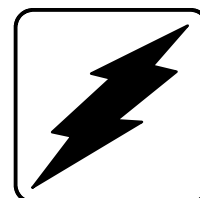


Service Parts

Industrial Generator Set Controllers



Models:

20-100RZ/RZG
20-200ROZJ/REOZJ/ROZK
135-275RZD/RFZD
200REOZP
230-400REOZD
450REOZD-4
500-2000ROZD-4
600/900/1000/2000ROZM

Controllers:

Decision-Maker™ 1
Decision-Maker™ 3, 3+, 340, and 550
Paralleling Engine Gauge Box

KOHLER[®]
POWER SYSTEMS

ISO 9001
KOHLER
GENERATORS
INTERNATIONALLY REGISTERED

TP-6009 4/01e

Table of Contents

Section 1 Introduction	1
1.1 Identifying the Controller Group Parts	1
1.2 Identifying the Controller Assembly Service Part Numbers	2
Section 2 Controller Group Data	3
Section 3 Controller Group Parts (20–300 kW)	20
Section 4 Controller Group Parts (350/400 kW, DDC Series 60)	21
Section 5 Controller Group Parts (450–2000 kW)	22
Section 6 Transformers	23
Section 7 Decision-Maker™ 3+ Controller Assembly	32
Section 8 Ammeters	34
Section 9 Decision-Maker™ 340 Controller Assembly	40
Section 10 Decision-Maker™ 550 Controller Assembly	41
Section 11 Paralleling Engine Gauge Box Assembly	42
Section 12 Decision-Maker™ 1 Controller Assembly	44
Appendix A Abbreviations	A-1
Appendix B Common Hardware Application Guidelines	A-3
Appendix C General Torque Specifications	A-4
Appendix D Common Hardware Identification	A-5
Appendix E Common Hardware List	A-6

Section 1 Introduction

This manual lists service replacement parts for generator set controller groups and controller kits.

1.1 Identifying the Controller Group Parts

The controller group contains the controller assembly, controller mounting hardware, sensors, transformers, wiring harnesses, and other related parts. Follow the steps below to identify controller group service part numbers.

1. Locate the generator set nameplate to **identify the generator set specification (spec) number**.

or

2. Locate the generator set nameplate listing accessories to **identify an optional installed controller kit number**. On some models this nameplate is mounted inside the generator junction box. See Figure 1 for an example of the nameplate.

3. **Turn to Chart 1—Controller Group Data** in Section 1. See Figure 2. The first column lists generator set spec numbers and installed controller kit numbers.

4. **Locate in the first column** of Chart 1 the generator set spec number (from step 1) or the installed controller kit number (from step 2).
5. Read across Chart 1 and **locate in the last column the manual section number** that lists controller group parts. See Figure 2.

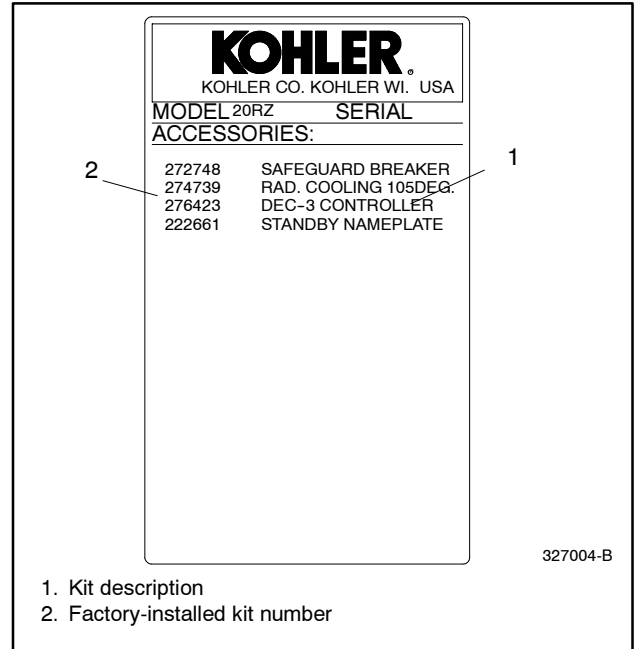


Figure 1 Generator Accessory Nameplate

Kit/Spec Number	Generator Set kW	Volts (AC)	Controller Assembly Part Number	Controller Type	Controller Box Size	Battery Volts (DC)	Catalog Section
275554	150	Std.	A-292463	7-Light	Standard	12	2
275555	150	Std.	A-273835	16-Light	Oversized	12	2
275556	150	Std.	A-273807	7-Light	Oversized	12	2
276423	20	Std.	A-328917	16-Light	Standard	12	2
276424	20	Std.	A-328988	7-Light	Standard	12	2
276425	20	Std.	A-328951	16-Light	Oversized	12	2

1. Spec or kit number
 2. Controller assembly part number
 3. Controller type
 4. Section number

Figure 2 Data Chart Example

Section 2 Controller Group Data

This chart lists specification (spec) number and controller kit data. The chart is sorted by kit/spec number.

Chart 1: Controller Group Data							
Kit/Spec Number	Generator Set kW	Volts (AC)	Controller Assembly Part Number	Controller Type	Controller Box Size	Battery Volts (DC)	Catalog Section
183030	33	Standard	B-292827	16-Light	Standard	12	3
183033	33	Standard	B-292827	16-Light	Standard	12	3
183036	33	600	B-292826	16-Light	Standard	12	3
183037	35	Standard	364451-52	16-Light	Standard	12	3
183039	33	Standard	B-292827	16-Light	Standard	12	3
183040	33	600	B-292826	16-Light	Standard	12	3
183041	33	Standard	B-292827	16-Light	Standard	12	3
183042	35	Standard	364451-52	16-Light	Standard	12	3
183044	35	600	364451-35	16-Light	Standard	12	3
183046	35	Standard	364451-52	16-Light	Standard	12	3
183047	35	Standard	364451-52	16-Light	Standard	12	3
183048	35	600	364451-35	16-Light	Standard	12	3
183230	45	Standard	B-292829	16-Light	Standard	12	3
183233	45	Standard	B-292829	16-Light	Standard	12	3
183236	45	Standard	B-292829	16-Light	Standard	12	3
183237	45	600	B-292830	16-Light	Standard	12	3
183238	45	Standard	364451-52	16-Light	Standard	12	3
183240	45	Standard	B-292829	16-Light	Standard	12	3
183241	45	600	B-292830	16-Light	Standard	12	3
183242	45	Standard	B-292829	16-Light	Standard	12	3
183243	45	Standard	B-292829	16-Light	Standard	12	3
183244	45	Standard	364451-52	16-Light	Standard	12	3
183246	45	600	364451-46	16-Light	Standard	12	3
183248	45	Standard	364451-52	16-Light	Standard	12	3
183249	45	Standard	364451-52	16-Light	Standard	12	3
183250	45	600	364451-46	16-Light	Standard	12	3
185030	20	Standard	B-292819	16-Light	Standard	12	3
185033	20	Standard	B-292819	16-Light	Standard	12	3
185036	20	600	B-292826	16-Light	Standard	12	3
185037	20	Standard	364451-31	16-Light	Standard	12	3
185039	20	Standard	B-292819	16-Light	Standard	12	3
185040	20	Standard	B-292819	16-Light	Standard	12	3
185041	20	Standard	B-292827	16-Light	Standard	12	3
185042	20	Standard	B-292819	16-Light	Standard	12	3
185050	30	Standard	B-292827	16-Light	Standard	12	3
185053	30	600	B-292826	16-Light	Standard	12	3
185054	30	Standard	B-292827	16-Light	Standard	12	3
185057	30	600	B-292826	16-Light	Standard	12	3
185058	30	Standard	364451-44	16-Light	Standard	12	3
185060	30	Standard	B-292827	16-Light	Standard	12	3
185061	30	600	B-292826	16-Light	Standard	12	3
185062	30	Standard	B-292827	16-Light	Standard	12	3
185063	30	600	B-292826	16-Light	Standard	12	3
185068	20	Standard	364451-31	16-Light	Standard	12	3
185070	20	600	364451-35	16-Light	Standard	12	3
185072	30	Standard	364451-44	16-Light	Standard	12	3
185074	30	600	364451-35	16-Light	Standard	12	3
185076	30	Standard	364451-44	16-Light	Standard	12	3
185078	30	Standard	364451-44	16-Light	Standard	12	3
185080	30	600	364451-35	16-Light	Standard	12	3
185084	20	Standard	364451-31	16-Light	Standard	12	3
185086	20	Standard	364451-31	16-Light	Standard	12	3
185088	20	Standard	364451-35	16-Light	Standard	12	3
185090	30	Standard	364451-44	16-Light	Standard	12	3
185091	30	Standard	364451-44	16-Light	Standard	12	3

Chart 1: Controller Group Data, continued

Kit/Spec Number	Generator Set kW	Volts (AC)	Controller Assembly Part Number	Controller Type	Controller Box Size	Battery Volts (DC)	Catalog Section
185092	30	600	364451-35	16-Light	Standard	12	3
185112	20	Standard	364451-31	16-Light	Standard	12	3
185114	20	Standard	364451-31	16-Light	Standard	12	3
185116	20	600	364451-35	16-Light	Standard	12	3
187060	60	Standard	B-292831	16-Light	Standard	12	3
187063	60	Standard	B-292831	16-Light	Standard	12	3
187066	60	600	B-292930	16-Light	Standard	12	3
187067	60	Standard	B-292831	16-Light	Standard	12	3
187068	60	Standard	B-292831	16-Light	Standard	12	3
187071	60	Standard	B-292831	16-Light	Standard	12	3
187072	60	Standard	B-292831	16-Light	Standard	12	3
187073	60	Standard	B-292831	16-Light	Standard	12	3
187074	60	Standard	B-292831	16-Light	Standard	12	3
187075	60	600	B-292930	16-Light	Standard	12	3
187076	60	Standard	364451-64	16-Light	Standard	12	3
187077	60	Standard	364451-64	16-Light	Standard	12	3
187078	60	600	364451-54	16-Light	Standard	12	3
187130	50	Standard	B-292829	16-Light	Standard	12	3
187131	50	Standard	B-292829	16-Light	Standard	12	3
187133	50	600	B-292830	16-Light	Standard	12	3
187136	50	Standard	B-292829	16-Light	Standard	12	3
187137	50	Standard	B-292829	16-Light	Standard	12	3
187138	50	600	B-292830	16-Light	Standard	12	3
187139	50	Standard	364451-64	16-Light	Standard	12	3
187140	50	Standard	364451-64	16-Light	Standard	12	3
187141	50	600	364451-46	16-Light	Standard	12	3
187260	70	Standard	B-292831	16-Light	Standard	12	3
187263	70	Standard	B-292831	16-Light	Standard	12	3
187266	70	600	B-292930	16-Light	Standard	12	3
187269	70	Standard	B-292831	16-Light	Standard	12	3
187270	70	Standard	B-292831	16-Light	Standard	12	3
187271	70	600	B-292930	16-Light	Standard	12	3
187272	70	Standard	364451-64	16-Light	Standard	12	3
187273	70	Standard	364451-64	16-Light	Standard	12	3
187274	70	600	364451-66	16-Light	Standard	12	3
187320	80	Standard	B-292831	16-Light	Standard	12	3
187323	80	Standard	B-292831	16-Light	Standard	12	3
187326	80	600	B-292930	16-Light	Standard	12	3
187328	80	Standard	B-292831	16-Light	Standard	12	3
187330	80	Standard	B-292831	16-Light	Standard	12	3
187333	80	600	B-292930	16-Light	Standard	12	3
187334	80	Standard	B-292831	16-Light	Standard	12	3
187335	80	600	B-292930	16-Light	Standard	12	3
187339	80	Standard	B-292831	16-Light	Standard	12	3
187340	80	600	B-292930	16-Light	Standard	12	3
187341	80	Standard	364451-64	16-Light	Standard	12	3
187342	80	Standard	364451-72	16-Light	Standard	12	3
187343	80	600	364451-66	16-Light	Standard	12	3
187425	100	Standard	B-292832	16-Light	Standard	12	3
187428	100	Standard	B-292832	16-Light	Standard	12	3
187431	100	600	B-292931	16-Light	Standard	12	3
187435	100	Standard	B-292832	16-Light	Standard	12	3
187438	100	600	B-292931	16-Light	Standard	12	3
187441	100	Standard	364451-72	16-Light	Standard	12	3
187442	100	Standard	364451-72	16-Light	Standard	12	3
187443	100	600	364451-66	16-Light	Standard	12	3
189001	20	Standard	B-292827	16-Light	Standard	12	3
189002	20	600	B-292826	16-Light	Standard	12	3
189003	20	Standard	B-292827	16-Light	Standard	12	3
189010	20	Standard	B-292827	16-Light	Standard	12	3
189011	20	600	B-292826	16-Light	Standard	12	3

Chart 1: Controller Group Data, continued

Kit/Spec Number	Generator Set kW	Volts (AC)	Controller Assembly Part Number	Controller Type	Controller Box Size	Battery Volts (DC)	Catalog Section
189012	20	Standard	B-292827	16-Light	Standard	12	3
189016	20	Standard	364451-44	16-Light	Standard	12	3
189017	20	600	364451-35	16-Light	Standard	12	3
189018	20	Standard	364451-44	16-Light	Standard	12	3
189022	20	Standard	364451-44	16-Light	Standard	12	3
189023	20	600	364451-35	16-Light	Standard	12	3
189024	20	Standard	364451-44	16-Light	Standard	12	3
189029	20	Standard	364451-40	16-Light	Standard	12	3
189030	20	600	364451-35	16-Light	Standard	12	3
189034	20	Standard	364451-40	16-Light	Standard	12	3
189035	20	600	364451-35	16-Light	Standard	12	3
189101	30	Standard	B-292827	16-Light	Standard	12	3
189102	30	600	B-292826	16-Light	Standard	12	3
189103	30	Standard	B-292827	16-Light	Standard	12	3
189110	30	Standard	B-292827	16-Light	Standard	12	3
189111	30	600	B-292826	16-Light	Standard	12	3
189112	30	Standard	B-292827	16-Light	Standard	12	3
189116	30	Standard	364451-44	16-Light	Standard	12	3
189117	30	600	364451-35	16-Light	Standard	12	3
189118	30	Standard	364451-44	16-Light	Standard	12	3
189123	30	Standard	364451-44	16-Light	Standard	12	3
189124	30	600	364451-35	16-Light	Standard	12	3
189125	30	Standard	364451-44	16-Light	Standard	12	3
189133	30	Standard	364451-44	16-Light	Standard	12	3
189134	30	600	364451-35	16-Light	Standard	12	3
189140	30	Standard	364451-35	16-Light	Standard	12	3
189141	30	600	364451-44	16-Light	Standard	12	3
189201	40	Standard	B-292829	16-Light	Standard	12	3
189202	40	600	B-292830	16-Light	Standard	12	3
189203	40	Standard	B-292829	16-Light	Standard	12	3
189210	40	Standard	B-292829	16-Light	Standard	12	3
189211	40	600	B-292830	16-Light	Standard	12	3
189212	40	Standard	B-292829	16-Light	Standard	12	3
189216	40	Standard	364451-52	16-Light	Standard	12	3
189217	40	600	364451-46	16-Light	Standard	12	3
189218	40	Standard	364451-52	16-Light	Standard	12	3
189222	40	Standard	364451-52	16-Light	Standard	12	3
189223	40	600	364451-46	16-Light	Standard	12	3
189224	40	Standard	364451-52	16-Light	Standard	12	3
189229	40	Standard	364451-52	16-Light	Standard	12	3
189230	40	600	364451-46	16-Light	Standard	12	3
189231	40	Standard	364451-52	16-Light	Standard	12	3
189232	40	600	364451-46	16-Light	Standard	12	3
189235	40	Standard	364451-52	16-Light	Standard	12	3
189236	40	600	364451-46	16-Light	Standard	12	3
189237	40	Standard	364451-52	16-Light	Standard	12	3
189238	40	600	364451-46	16-Light	Standard	12	3
189301	50	Standard	B-292831	16-Light	Standard	12	3
189302	50	600	B-292830	16-Light	Standard	12	3
189303	50	Standard	B-292831	16-Light	Standard	12	3
189310	50	Standard	364451-64	16-Light	Standard	12	3
189311	50	600	364451-46	16-Light	Standard	12	3
189312	50	Standard	364451-64	16-Light	Standard	12	3
189316	50	Standard	364451-64	16-Light	Standard	12	3
189317	50	600	364451-46	16-Light	Standard	12	3
189318	50	600	364451-64	16-Light	Standard	12	3
189325	50	Standard	364451-60	16-Light	Standard	12	3
189326	50	600	364451-46	16-Light	Standard	12	3
189333	50	Standard	364451-64	16-Light	Standard	12	3
189334	50	600	364451-46	16-Light	Standard	12	3
189401	60	Standard	B-292831	16-Light	Standard	12	3

Chart 1: Controller Group Data, continued

Kit/Spec Number	Generator Set kW	Volts (AC)	Controller Assembly Part Number	Controller Type	Controller Box Size	Battery Volts (DC)	Catalog Section
189402	60	600	B-292930	16-Light	Standard	12	3
189407	60	Standard	364451-64	16-Light	Standard	12	3
189408	60	600	364451-54	16-Light	Standard	12	3
189412	60	Standard	364451-64	16-Light	Standard	12	3
189413	60	600	364451-54	16-Light	Standard	12	3
189417	60	Standard	364451-64	16-Light	Standard	12	3
189419	60	Standard	364451-64	16-Light	Standard	12	3
189422	60	Standard	364451-64	16-Light	Standard	12	3
189423	60	Standard	364451-64	16-Light	Standard	12	3
189424	60	600	364451-54	16-Light	Standard	12	3
189425	60	Standard	364451-64	16-Light	Standard	12	3
189426	60	600	364451-54	16-Light	Standard	12	3
189432	60	Standard	364451-64	16-Light	Standard	12	3
189433	60	600	364451-54	16-Light	Standard	12	3
189434	60	Standard	364451-64	16-Light	Standard	12	3
189435	60	600	364451-54	16-Light	Standard	12	3
189501	80	Standard	B-292831	16-Light	Standard	12	3
189502	80	600	B-292931	16-Light	Standard	12	3
189503	80	Standard	B-292831	16-Light	Standard	12	3
189510	80	Standard	B-292831	16-Light	Standard	12	3
189512	80	Standard	B-292831	16-Light	Standard	12	3
189514	80	600	B-292931	16-Light	Standard	12	3
189517	80	Standard	B-292831	16-Light	Standard	12	3
189519	80	Standard	B-292831	16-Light	Standard	12	3
189521	80	600	B-292931	16-Light	Standard	12	3
189523	80	Standard	364451-64	16-Light	Standard	12	3
189524	80	600	364451-66	16-Light	Standard	12	3
189525	80	Standard	364451-64	16-Light	Standard	12	3
189529	80	Standard	364451-69	16-Light	Standard	12	3
189530	80	Standard	364451-64	16-Light	Standard	12	3
189531	80	600	364451-66	16-Light	Standard	12	3
189532	80	Standard	364451-72	16-Light	Standard	12	3
189536	80	Standard	364451-69	16-Light	Standard	12	3
189538	80	Standard	364451-64	16-Light	Standard	12	3
189539	80	Standard	364451-64	16-Light	Standard	12	3
189540	80	600	364451-66	16-Light	Standard	12	3
189541	80	Standard	364451-72	16-Light	Standard	12	3
189542	80	600	364451-66	16-Light	Standard	12	3
189546	80	Standard	364451-64	16-Light	Standard	12	3
189547	80	600	364451-66	16-Light	Standard	12	3
189548	80	Standard	364451-72	16-Light	Standard	12	3
189549	80	600	364451-66	16-Light	Standard	12	3
189552	80	Standard	364451-69	16-Light	Standard	12	3
189601	100	Standard	B-292832	16-Light	Standard	12	3
189602	100	600	B-292931	16-Light	Standard	12	3
189603	100	Standard	B-292832	16-Light	Standard	12	3
189610	100	Standard	B-292832	16-Light	Standard	12	3
189612	100	600	B-292931	16-Light	Standard	12	3
189614	100	Standard	B-292832	16-Light	Standard	12	3
189616	100	Standard	B-292832	16-Light	Standard	12	3
189618	100	600	B-292931	16-Light	Standard	12	3
189620	100	Standard	B-292832	16-Light	Standard	12	3
189622	100	Standard	364451-72	16-Light	Standard	12	3
189623	100	600	364451-66	16-Light	Standard	12	3
189624	100	Standard	364451-72	16-Light	Standard	12	3
189628	100	Standard	364451-77	16-Light	Standard	12	3
189629	100	Standard	364451-72	16-Light	Standard	12	3
189630	100	600	364451-66	16-Light	Standard	12	3
189631	100	Standard	364451-81	16-Light	Standard	12	3
189635	100	Standard	364451-77	16-Light	Standard	12	3
189640	100	Standard	364451-72	16-Light	Standard	12	3

Chart 1: Controller Group Data, continued

Kit/Spec Number	Generator Set kW	Volts (AC)	Controller Assembly Part Number	Controller Type	Controller Box Size	Battery Volts (DC)	Catalog Section
189641	100	Standard	364451-72	16-Light	Standard	12	3
189642	100	600	364451-66	16-Light	Standard	12	3
189643	100	Standard	364451-81	16-Light	Standard	12	3
189644	100	600	364451-66	16-Light	Standard	12	3
189648	100	Standard	364451-72	16-Light	Standard	12	3
189649	100	600	364451-66	16-Light	Standard	12	3
189650	100	Standard	364451-81	16-Light	Standard	12	3
189651	100	600	364451-66	16-Light	Standard	12	3
189657	100	Standard	364451-77	16-Light	Standard	12	3
189701	125	Standard	A-273591	16-Light	Standard	12	3
189702	125	600	B-292931	16-Light	Standard	12	3
189705	125	Standard	A-273591	16-Light	Standard	12	3
189708	125	Standard	A-273591	16-Light	Standard	12	3
189710	125	600	B-292931	16-Light	Standard	12	3
189712	125	Standard	A-273591	16-Light	Standard	12	3
189714	125	600	B-292931	16-Light	Standard	12	3
189716	125	Standard	A-273591	16-Light	Standard	12	3
189717	125	600	B-292931	16-Light	Standard	12	3
189721	135	Standard	364451-95	16-Light	Standard	12	3
189722	135	600	364451-75	16-Light	Standard	12	3
189725	135	Standard	364451-95	16-Light	Standard	12	3
189801	150	Standard	B-272606	16-Light	Standard	12	3
189802	150	600	B-292932	16-Light	Standard	12	3
189803	150	Standard	B-272606	16-Light	Standard	12	3
189807	150	Standard	B-272606	16-Light	Standard	12	3
189811	150	Standard	B-272606	16-Light	Standard	12	3
189815	150	600	B-292932	16-Light	Standard	12	3
189817	150	Standard	B-272606	16-Light	Standard	12	3
189819	150	600	B-292932	16-Light	Standard	12	3
189821	150	Standard	364451-95	16-Light	Standard	12	3
189822	150	600	364451-75	16-Light	Standard	12	3
189823	150	Standard	364451-95	16-Light	Standard	12	3
189828	150	Standard	364451-95	16-Light	Standard	12	3
189829	150	600	364451-75	16-Light	Standard	12	3
189830	150	Standard	364451-95	16-Light	Standard	12	3
189831	150	600	364451-75	16-Light	Standard	12	3
189835	150	Standard	364451-95	16-Light	Standard	12	3
189837	150	Standard	364451-95	16-Light	Standard	12	3
189849	150	Standard	364451-104	16-Light	Standard	12	3
189850	150	600	364451-75	16-Light	Standard	12	3
189853	150	Standard	364451-95	16-Light	Standard	12	3
189901	180	Standard	A-292362	16-Light	Standard	12	3
189902	180	600	A-292363	16-Light	Standard	12	3
189903	180	Standard	A-292362	16-Light	Standard	12	3
189911	180	Standard	A-292362	16-Light	Standard	12	3
189912	180	600	A-292363	16-Light	Standard	12	3
189913	180	Standard	A-292362	16-Light	Standard	12	3
189915	180	600	B-272606	16-Light	Standard	12	3
189920	180	Standard	A-292362	16-Light	Standard	12	3
189921	180	600	A-292363	16-Light	Standard	12	3
189922	180	Standard	A-292362	16-Light	Standard	12	3
189926	180	Standard	A-292362	16-Light	Standard	12	3
189927	180	600	A-292363	16-Light	Standard	12	3
189928	180	Standard	A-292362	16-Light	Standard	12	3
189932	180	Standard	364451-104	16-Light	Standard	12	3
189933	180	600	364451-83	16-Light	Standard	12	3
189934	180	Standard	364451-104	16-Light	Standard	12	3
189939	180	Standard	364451-104	16-Light	Standard	12	3
189940	180	600	364451-83	16-Light	Standard	12	3
189941	180	Standard	364451-104	16-Light	Standard	12	3
189942	180	600	364451-83	16-Light	Standard	12	3

Chart 1: Controller Group Data, continued

Kit/Spec Number	Generator Set kW	Volts (AC)	Controller Assembly Part Number	Controller Type	Controller Box Size	Battery Volts (DC)	Catalog Section
189945	180	Standard	364451-104	16-Light	Standard	12	3
189947	180	Standard	364451-104	16-Light	Standard	12	3
189955	180	Standard	364451-104	16-Light	Standard	12	3
189956	180	600	364451-83	16-Light	Standard	12	3
189957	180	Standard	364451-104	16-Light	Standard	12	3
189958	180	600	364451-83	16-Light	Standard	12	3
189961	180	Standard	364451-104	16-Light	Standard	12	3
189962	180	Standard	364451-83	16-Light	Standard	12	3
194006	135	Standard	364451-96	16-Light	Standard	12	3
194007	135	600	364451-85	16-Light	Standard	12	3
194016	150	Standard	364451-96	16-Light	Standard	12	3
194017	150	600	364451-85	16-Light	Standard	12	3
194018	150	Standard	364451-107	16-Light	Standard	12	3
194019	150	600	364451-86	16-Light	Standard	12	3
194026	180	Standard	364451-107	16-Light	Standard	12	3
194027	180	600	364451-86	16-Light	Standard	12	3
194028	180	Standard	364451-107	16-Light	Standard	12	3
194029	180	600	364451-86	16-Light	Standard	12	3
194036	150	Standard	364451-96	16-Light	Standard	12	3
194037	150	600	364451-85	16-Light	Standard	12	3
194044	180	Standard	364451-107	16-Light	Standard	12	3
194045	180	600	364451-86	16-Light	Standard	12	3
194046	180	Standard	364451-107	16-Light	Standard	12	3
194047	180	600	364451-86	16-Light	Standard	12	3
194049	135	Standard	364451-96	16-Light	Standard	12	3
194055	150	Standard	364451-96	16-Light	Standard	12	3
194067	180	Standard	364451-107	16-Light	Standard	12	3
194069	180	600	364451-86	16-Light	Standard	12	3
194205	200	Standard	364451-106	16-Light	Standard	24	3
194206	200	600	A-328932	16-Light	Standard	24	3
194207	200	Standard	364451-106	16-Light	Standard	24	3
194208	200	600	A-328932	16-Light	Standard	24	3
194215	230	Standard	364451-119	16-Light	Standard	24	3
194216	230	600	364451-108	16-Light	Standard	24	3
194217	230	Standard	364451-119	16-Light	Standard	24	3
194218	230	600	364451-108	16-Light	Standard	24	3
194225	250	Standard	364451-119	16-Light	Standard	24	3
194226	250	600	364451-108	16-Light	Standard	24	3
194227	250	Standard	364451-119	16-Light	Standard	24	3
194228	250	600	364451-108	16-Light	Standard	24	3
194235	275	Standard	364451-134	16-Light	Standard	24	3
194236	275	600	364451-108	16-Light	Standard	24	3
194237	275	Standard	364451-134	16-Light	Standard	24	3
194238	275	600	364451-108	16-Light	Standard	24	3
194245	200	Standard	364451-106	16-Light	Standard	24	3
194246	200	600	364451-84	16-Light	Standard	24	3
194247	200	Standard	364451-106	16-Light	Standard	24	3
194248	200	600	364451-84	16-Light	Standard	24	3
194255	230	Standard	364451-119	16-Light	Standard	24	3
194256	230	600	364451-108	16-Light	Standard	24	3
194257	230	Standard	364451-119	16-Light	Standard	24	3
194258	230	600	364451-108	16-Light	Standard	24	3
194265	250	Standard	364451-119	16-Light	Standard	24	3
194266	250	600	364451-108	16-Light	Standard	24	3
194267	250	Standard	364451-119	16-Light	Standard	24	3
194268	250	600	364451-108	16-Light	Standard	24	3
194275	275	Standard	364451-134	16-Light	Standard	24	3
194276	275	600	364451-108	16-Light	Standard	24	3
194276	275	Standard	364451-134	16-Light	Standard	24	3
194278	275	600	364451-108	16-Light	Standard	24	3
194280	200	Standard	364451-106	16-Light	Standard	24	3

Chart 1: Controller Group Data, continued

Kit/Spec Number	Generator Set kW	Volts (AC)	Controller Assembly Part Number	Controller Type	Controller Box Size	Battery Volts (DC)	Catalog Section
194282	200	Standard	364451-106	16-Light	Standard	24	3
194290	230	Standard	364451-119	16-Light	Standard	24	3
194292	230	Standard	364451-119	16-Light	Standard	24	3
194300	250	Standard	364451-119	16-Light	Standard	24	3
194306	275	600	364451-134	16-Light	Standard	24	3
194316	230	Standard	364451-121	16-Light	Standard	24	3
194317	230	600	364451-109	16-Light	Standard	24	3
194321	230	Standard	364451-121	16-Light	Standard	24	3
194332	250	Standard	364451-135	16-Light	Standard	24	3
194333	250	600	364451-109	16-Light	Standard	24	3
194334	250	Standard	364451-135	16-Light	Standard	24	3
194335	250	600	364451-109	16-Light	Standard	24	3
194337	250	Standard	364451-135	16-Light	Standard	24	3
194338	250	Standard	364451-135	16-Light	Standard	24	3
194348	275	Standard	364451-135	16-Light	Standard	24	3
194349	275	600	364451-109	16-Light	Standard	24	3
194353	275	Standard	364451-135	16-Light	Standard	24	3
194364	300	Standard	364451-135	16-Light	Standard	24	3
194365	300	600	364451-109	16-Light	Standard	24	3
194367	300	Standard	364451-135	16-Light	Standard	24	3
194374	350	Standard	364451-141	16-Light	Standard	24	4
194375	350	Standard	364451-141	16-Light	Standard	24	4
194376	350	Standard	364451-141	16-Light	Standard	24	4
194377	350	380	364451-141	16-Light	Standard	24	4
194378	350	380	364451-141	16-Light	Standard	24	4
194379	350	600	364451-126	16-Light	Standard	24	4
194380	350	600	364451-126	16-Light	Standard	24	4
194390	350	Standard	364451-141	16-Light	Standard	24	4
194391	350	Standard	364451-141	16-Light	Standard	24	4
194392	350	Standard	364451-141	16-Light	Standard	24	4
273395	20/30	Standard	B-292827	16-Light	Standard	12	3
273396	40	Standard	B-292829	16-Light	Standard	12	3
273397	50/60/80	Standard	B-292831	16-Light	Standard	12	3
273398	100	Standard	B-292832	16-Light	Standard	12	3
273399	125	Standard	A-273591	16-Light	Standard	12	3
273866	20/30	Standard	A-292388	7-Light	Standard	12	3
273867	20/30	Standard	A-273812	16-Light	Oversized	12	3
273868	20/30	Standard	A-273784	7-Light	Oversized	12	3
273869	40	Standard	A-292390	7-Light	Standard	12	3
273870	40	Standard	A-273814	16-Light	Oversized	12	3
273871	40	Standard	A-273786	7-Light	Oversized	12	3
273872	50/60/80	Standard	A-292392	7-Light	Standard	12	3
273873	50/60/80	Standard	A-273816	16-Light	Oversized	12	3
273874	50/60/80	Standard	A-273788	7-Light	Oversized	12	3
273875	100	Standard	A-292394	7-Light	Standard	12	3
273876	100	Standard	A-273818	16-Light	Oversized	12	3
273877	100	Standard	A-273790	7-Light	Oversized	12	3
273878	125	Standard	A-273538	7-Light	Standard	12	3
273879	125	Standard	A-273598	16-Light	Oversized	12	3
273880	125	Standard	A-273597	7-Light	Oversized	12	3
273881	150	Standard	A-292463	7-Light	Standard	12	3
273882	150	Standard	A-273835	16-Light	Oversized	12	3
273883	150	Standard	A-273807	7-Light	Oversized	12	3
273884	180	Standard	A-292464	7-Light	Standard	12	3
273885	180	Standard	A-273836	16-Light	Oversized	12	3
273886	180	Standard	A-273808	7-Light	Oversized	12	3
273887	20/30	600	364451-38	7-Light	Standard	12	3
273888	20/30	600	A-273811	16-Light	Oversized	12	3
273889	20/30	600	A-347025	7-Light	Oversized	12	3
273890	40/50	600	364451-50	7-Light	Standard	12	3
273891	40/50	600	A-273815	16-Light	Oversized	12	3

Chart 1: Controller Group Data, continued

Kit/Spec Number	Generator Set kW	Volts (AC)	Controller Assembly Part Number	Controller Type	Controller Box Size	Battery Volts (DC)	Catalog Section
273892	40/50	600	A-347028	7-Light	Oversized	12	3
273896	60	600	A-292393	7-Light	Standard	12	3
273897	60	600	A-273817	16-Light	Oversized	12	3
273898	60	600	A-347030	7-Light	Oversized	12	3
273899	80/125	600	A-292395	7-Light	Standard	12	3
273900	80/125	600	A-273819	16-Light	Oversized	12	3
273901	80/125	600	A-273791	7-Light	Oversized	12	3
273905	150	600	A-292397	7-Light	Standard	12	3
273906	150	600	A-273821	16-Light	Oversized	12	3
273907	150	600	A-273796	7-Light	Oversized	12	3
273908	180	600	364451-89	7-Light	Standard	12	3
273909	180	600	A-273837	16-Light	Oversized	12	3
273910	180	600	A-273809	7-Light	Oversized	12	3
273939	200	Standard	364501-3	Engine Gauge	NA	24	3
274403	200	Standard	A-328964	16-Light	Oversized	24	3
274405	200	Standard	364451-112	7-Light	Standard	24	3
274406	200	Standard	A-347036	7-Light	Oversized	24	3
274676	200	Standard	364451-106	16-Light	Standard	24	3
275418	150	Standard	B-272606	16-Light	Standard	12	3
275419	180	Standard	A-292362	16-Light	Standard	12	3
275420	20/30	600	B-292826	16-Light	Standard	12	3
275421	40/50	600	B-292830	16-Light	Standard	12	3
275423	60	600	B-292930	16-Light	Standard	12	3
275424	80/125	600	B-292931	16-Light	Standard	12	3
275426	150	600	B-292932	16-Light	Standard	12	3
275427	180	600	A-292363	16-Light	Standard	12	3
275553	150	Standard	B-272606	16-Light	Standard	12	3
275554	150	Standard	A-292463	7-Light	Standard	12	3
275555	150	Standard	A-273835	16-Light	Oversized	12	3
275556	150	Standard	A-273807	7-Light	Oversized	12	3
276423	20	Standard	364451-31	16-Light	Standard	12	3
276424	20	Standard	364451-37	7-Light	Standard	12	3
276425	20	Standard	A-328951	16-Light	Oversized	12	3
276426	20	Standard	A-347024	7-Light	Oversized	12	3
276865	200-300	600	A-328967	16-Light	Oversized	24	3
276866	200-300	600	364451-117	7-Light	Standard	24	3
276867	200-300	600	A-347039	7-Light	Oversized	24	3
276872	200-300	600	364451-108	16-Light	Standard	24	3
326621	20	Standard	A-336598	Decision-Maker 1 w/ gauges and meter	NA	12	3
326622	170	Standard	A-336597	Decision-Maker 1	NA	12	3
326623	20-35	Standard	A-336616	Decision-Maker 1 w/ gauges and meter	NA	12	3
326629	40-45	Standard	A-336617	Decision-Maker 1 w/ gauges and meter	NA	12	3
326633	60	Standard	A-336619	Decision-Maker 1 w/ gauges and meter	NA	12	3
326637	20	Standard	A-336615	Decision-Maker 1 w/ gauges and meter	NA	12	3
326649	50/60	600	A-336620	Decision-Maker 1 w/ gauges and meter	NA	12	3
326657	70-100	Standard	A-336621	Decision-Maker 1 w/ gauges and meter	NA	12	3
326661	135/150	Standard	A-336625	Decision-Maker 1 w/ gauges and meter	NA	12	3
326665	70-115	600	A-336622	Decision-Maker 1 w/ gauges and meter	NA	12	3
326671	135/150	600	A-336623	Decision-Maker 1 w/ gauges and meter	NA	12	3
326677	170	Standard	A-336626	Decision-Maker 1 w/ gauges and meter	NA	12	3

Chart 1: Controller Group Data, continued

Kit/Spec Number	Generator Set kW	Volts (AC)	Controller Assembly Part Number	Controller Type	Controller Box Size	Battery Volts (DC)	Catalog Section
326679	170	600	A-336627	Decision-Maker 1 w/ gauges and meter	NA	12	3
326690	170	Standard	364455-1	Decision-Maker 1 w/ gauges	NA	12	3
327007	20/30	Standard	364451-44	16-Light	Standard	12	3
327008	20/30	Standard	364451-48	7-Light	Standard	12	3
327009	20/30	Standard	A-328953	16-Light	Oversized	12	3
327010	20/30	Standard	A-347026	7-Light	Oversized	12	3
327012	40	Standard	364451-52	16-Light	Standard	12	3
327013	40	Standard	364451-56	7-Light	Standard	12	3
327014	40	Standard	A-328954	16-Light	Oversized	12	3
327015	40	Standard	A-347027	7-Light	Oversized	12	3
327017	50/60	Standard	364451-64	16-Light	Standard	12	3
327018	50/60	Standard	364451-69	7-Light	Standard	12	3
327019	50/60	Standard	A-328956	16-Light	Oversized	12	3
327020	50/60	Standard	A-347029	7-Light	Oversized	12	3
327022	20/30	600	364451-35	16-Light	Standard	12	3
327023	20/30	600	364451-38	7-Light	Standard	12	3
327024	20/30	600	A-328952	16-Light	Oversized	12	3
327025	20/30	600	A-347025	7-Light	Oversized	12	3
327027	40/50	600	364451-46	16-Light	Standard	12	3
327028	40/50	600	364451-50	7-Light	Standard	12	3
327029	40/50	600	A-328955	16-Light	Oversized	12	3
327030	40/50	600	A-347028	7-Light	Oversized	12	3
327033	60	600	364451-54	16-Light	Standard	12	3
327034	60	600	364451-58	7-Light	Standard	12	3
327035	60	600	A-328957	16-Light	Oversized	12	3
327036	60	600	A-347030	7-Light	Oversized	12	3
327038	60/80	Standard	364451-64	16-Light	Standard	12	3
327039	60/80	Standard	364451-69	7-Light	Standard	12	3
327040	60/80	Standard	A-328956	16-Light	Oversized	12	3
327041	60/80	Standard	A-347029	7-Light	Oversized	12	3
327043	80/100	Standard	364451-72	16-Light	Standard	12	3
327044	80/100	Standard	364451-77	7-Light	Standard	12	3
327045	80/100	Standard	A-328959	16-Light	Oversized	12	3
327046	80/100	Standard	A-347031	7-Light	Oversized	12	3
327048	135/150	600	364451-75	16-Light	Standard	12	3
327049	135/150	600	364451-79	7-Light	Standard	12	3
327050	135/150	600	A-328961	16-Light	Oversized	12	3
327051	135/150	600	A-347035	7-Light	Oversized	12	3
327053	150-180	Standard	364451-104	16-Light	Standard	12	3
327054	150-180	Standard	364451-110	7-Light	Standard	12	3
327055	180	Standard	A-328978	16-Light	Oversized	12	3
327056	180	Standard	A-347050	7-Light	Oversized	12	3
327058	80/125	600	364451-66	16-Light	Standard	12	3
327059	80/125	600	364451-71	7-Light	Standard	12	3
327060	80/125	600	A-328960	16-Light	Oversized	12	3
327061	80/125	600	A-347032	7-Light	Oversized	12	3
327063	100/125	Standard	364451-81	16-Light	Standard	12	3
327064	100/125	Standard	364451-87	7-Light	Standard	12	3
327065	100/125	Standard	A-328981	16-Light	Oversized	12	3
327066	100	Standard	A-347053	7-Light	Oversized	12	3
327068	135/150	Standard	364451-95	16-Light	Standard	12	3
327069	135/150	Standard	364451-98	7-Light	Standard	12	3
327070	135/150	Standard	A-328977	16-Light	Oversized	12	3
327071	135/150	Standard	A-347049	7-Light	Oversized	12	3
327073	180	600	364451-83	16-Light	Standard	12	3
327074	180	600	364451-89	7-Light	Standard	12	3
327075	180	600	A-328979	16-Light	Oversized	12	3
327076	180	600	A-347051	7-Light	Oversized	12	3
327372	135	Standard	A-327373	7-Light	Oversized	12	3

Chart 1: Controller Group Data, continued

Kit/Spec Number	Generator Set kW	Volts (AC)	Controller Assembly Part Number	Controller Type	Controller Box Size	Battery Volts (DC)	Catalog Section
328149	400	Standard	364451-152	16-Light	Standard	24	4
328150	400	Standard	364451-158	7-Light	Standard	24	4
328151	400	Standard	A-328970	16-Light	Oversized	24	4
328152	400	Standard	A-347042	7-Light	Oversized	24	4
328153	350/400	all	364501-4	Engine Gauge	NA	24	4
328158	400	600	364451-142	16-Light	Standard	24	4
328159	400	600	364451-149	7-Light	Standard	24	4
328160	400	600	A-328971	16-Light	Oversized	24	4
328161	400	600	A-347043	7-Light	Oversized	24	4
328166	400	380	364451-152	16-Light	Standard	24	4
328167	400	380	364451-158	7-Light	Standard	24	4
328168	400	380	A-328970	16-Light	Oversized	24	4
328169	400	380	A-347042	7-Light	Oversized	24	4
328203	350/400	Standard	364451-139	16-Light	Standard	24	4
328204	350/400	Standard	364451-145	7-Light	Standard	24	4
328205	350/400	Standard	A-328968	16-Light	Oversized	24	4
328206	350/400	Standard	A-347040	7-Light	Oversized	24	4
328207	350	600	364451-124	16-Light	Standard	24	4
328208	350	600	364451-131	7-Light	Standard	24	4
328209	350	600	A-328969	16-Light	Oversized	24	4
328210	350	600	A-347041	7-Light	Oversized	24	4
328211	350	380	364451-139	16-Light	Standard	24	4
328212	350	380	364451-145	7-Light	Standard	24	4
328213	350	380	A-328968	16-Light	Oversized	24	4
328214	350	380	A-347040	7-Light	Oversized	24	4
342423	20/30	all	364501-2	Engine Gauge	NA	12	3
343481	230	Standard	364451-121	16-Light	Standard	24	3
343482	230	Standard	364451-128	7-Light	Standard	24	3
343483	230	Standard	A-343496	16-Light	Oversized	24	3
343484	230	Standard	A-343497	7-Light	Oversized	24	3
343485	250-300	Standard	364451-135	16-Light	Standard	24	3
343486	250-300	Standard	364451-138	7-Light	Standard	24	3
343487	250-300	Standard	A-343500	16-Light	Oversized	24	3
343488	250-300	Standard	A-343501	7-Light	Oversized	24	3
343489	230-300	600	364451-109	16-Light	Standard	24	3
343490	230-300	600	364451-118	7-Light	Standard	24	3
343491	230-300	600	A-343504	16-Light	Oversized	24	3
343492	230-300	600	A-343505	7-Light	Oversized	24	3
343493	230	Standard	A-343506	Decision-Maker 340	NA	24	3
343542	350/400	Standard	364451-141	16-Light	Standard	24	4
343543	350/400	Standard	364451-148	7-Light	Standard	24	4
343544	350/400	Standard	A-343559	16-Light	Oversized	24	4
343545	350/400	Standard	A-343560	7-Light	Oversized	24	4
343546	350	380	364451-141	16-Light	Standard	24	4
343547	350	380	364451-148	7-Light	Standard	24	4
343548	350	380	A-343559	16-Light	Oversized	24	4
343549	350	380	A-343560	7-Light	Oversized	24	4
343550	350	600	364451-126	16-Light	Standard	24	4
343551	350	600	364451-133	7-Light	Standard	24	4
343552	350	600	A-343567	16-Light	Oversized	24	4
343553	350	600	A-343568	7-Light	Oversized	24	4
343554	350/400	Standard	A-343569	Decision-Maker 340	NA	24	4
343555	350	380	A-343569	Decision-Maker 340	NA	24	4
343556	350	600	A-343569	Decision-Maker 340	NA	24	4
343597	250-300	Standard	A-343506	Decision-Maker 340	NA	24	3
343598	230-300	600	A-343506	Decision-Maker 340	NA	24	3
343699	400	Standard	364451-153	16-Light	Standard	24	4
343700	400	Standard	364451-159	7-Light	Standard	24	4
343701	400	Standard	A-361873	16-Light	Oversized	24	4
343702	400	Standard	A-361874	7-Light	Oversized	24	4
343703	400	Standard	A-343569	Decision-Maker 340	NA	24	4

Chart 1: Controller Group Data, continued

Kit/Spec Number	Generator Set kW	Volts (AC)	Controller Assembly Part Number	Controller Type	Controller Box Size	Battery Volts (DC)	Catalog Section
343708	400	380	364451-153	16-Light	Standard	24	4
343709	400	380	364451-159	7-Light	Standard	24	4
343710	400	380	A-361873	16-Light	Oversized	24	4
343711	400	380	A-361874	7-Light	Oversized	24	4
343712	400	380	A-343569	Decision-Maker 340	NA	24	4
343717	400	600	364451-143	16-Light	Standard	24	4
343718	400	600	364451-150	7-Light	Standard	24	4
343719	400	600	A-361893	16-Light	Oversized	24	4
343720	400	600	A-361894	7-Light	Oversized	24	4
343721	400	600	A-343569	Decision-Maker 340	NA	24	4
343791	350/400	all	364501-8	Engine Gauge	NA	24	4
347790	135/150	Standard	364451-96	16-Light	Standard	24	3
347791	135/150	600	364451-76	16-Light	Standard	24	3
347792	135/150	Standard	A-347062	16-Light	Oversized	24	3
347793	135/150	600	A-347063	16-Light	Oversized	24	3
347794	135/150	Standard	364451-99	7-Light	Standard	24	3
347795	135/150	Standard	A-347068	7-Light	Oversized	24	3
347796	135/150	600	364451-91	7-Light	Standard	24	3
347797	135/150	600	A-347063	7-Light	Oversized	24	3
347798	150-180	Standard	364451-107	16-Light	Standard	24	3
347799	180	600	364451-86	16-Light	Standard	24	3
347800	180	Standard	A-347112	16-Light	Oversized	24	3
347801	180	600	A-347113	16-Light	Oversized	24	3
347802	150-180	Standard	364451-113	7-Light	Standard	24	3
347803	150/180	Standard	A-347116	7-Light	Oversized	24	3
347804	180	600	364451-92	7-Light	Standard	24	3
347805	180	600	A-347117	7-Light	Oversized	24	3
347891	30/40/50	Standard	A-347946	Decision-Maker 340	NA	12	3
347892	40	Standard	A-347946	Decision-Maker 340	NA	12	3
347893	60/80	Standard	A-347946	Decision-Maker 340	NA	12	3
347894	30	600	A-347946	Decision-Maker 340	NA	12	3
347897	20/30/60	Standard	A-347946	Decision-Maker 340	NA	12	3
347898	80/100	Standard	A-347946	Decision-Maker 340	NA	12	3
347899	100	Standard	A-347946	Decision-Maker 340	NA	12	3
347900	135/150	Standard	A-347946	Decision-Maker 340	NA	12	3
347903	70-125	600	A-347946	Decision-Maker 340	NA	12	3
347904	135/150	600	A-347946	Decision-Maker 340	NA	12	3
347906	150-180	Standard	A-354146	Decision-Maker 340	NA	24	3
347908	150-180	Standard	A-347946	Decision-Maker 340	NA	12	3
347910	180	600	A-347946	Decision-Maker 340	NA	12	3
347911	180	600	A-354146	Decision-Maker 340	NA	24	3
347913	200	Standard	A-354146	Decision-Maker 340	NA	24	3
347917	200-300	600	A-354146	Decision-Maker 340	NA	24	3
347918	150	Standard	A-354146	Decision-Maker 340	NA	24	3
347919	400	Standard	A-347947	Decision-Maker 340	NA	24	4
347921	400	600	A-347947	Decision-Maker 340	NA	24	4
347923	400	380	A-347947	Decision-Maker 340	NA	24	4
347932	60/80/100/135/15	Standard	A-354146	Decision-Maker 340	NA	24	3
347949	350/400	Standard	A-347947	Decision-Maker 340	NA	24	4
347950	350	600	A-347947	Decision-Maker 340	NA	24	4
347951	350	380	A-347947	Decision-Maker 340	NA	24	4
347972	135/150	600	A-354146	Decision-Maker 340	NA	24	3
352416	60/80	Standard	364451-65	16-Light	Standard	24	3
352417	60/80	Standard	364451-70	7-Light	Standard	24	3
352418	60/80	Standard	A-328958	16-Light	Oversized	24	3
352419	60/80	Standard	A-354473	7-Light	Oversized	24	3
352420	80/100	Standard	364451-73	16-Light	Standard	24	3
352421	80/100	Standard	364451-78	7-Light	Standard	24	3
352422	80/100	Standard	A-333194	16-Light	Oversized	24	3
352423	80/100	Standard	A-354474	7-Light	Oversized	24	3
352424	100	Standard	364451-82	16-Light	Standard	24	3

Chart 1: Controller Group Data, continued

Kit/Spec Number	Generator Set kW	Volts (AC)	Controller Assembly Part Number	Controller Type	Controller Box Size	Battery Volts (DC)	Catalog Section
352425	100	Standard	364451-88	7-Light	Standard	24	3
352426	100	Standard	A-354475	16-Light	Oversized	24	3
352427	100	Standard	A-347034	7-Light	Oversized	24	3
352428	70-115	600	364451-67	16-Light	Standard	24	3
352429	70-115	600	364451-80	7-Light	Standard	24	3
352430	70-115	600	A-347269	16-Light	Oversized	24	3
352431	70-115	600	A-347067	7-Light	Oversized	24	3
352553	20	Standard	364451-40	16-Light	Standard	12	3
352554	20	Standard	364451-42	7-Light	Standard	12	3
352555	20	Standard	A-352561	16-Light	Oversized	12	3
352556	20	Standard	A-352562	7-Light	Oversized	12	3
352557	20	Standard	A-352563	Decision-Maker 1 w/ gauges and meter	NA	12	3
352590	20	Standard	A-347946	Decision-Maker 340	NA	12	3
352591	20	Standard	364451-41	16-Light	Standard	24	3
352592	20	Standard	364451-42	7-Light	Standard	24	3
352593	20	Standard	A-352628	16-Light	Oversized	24	3
352594	20	Standard	A-352629	7-Light	Oversized	24	3
352595	20	Standard	A-354146	Decision-Maker 340	NA	24	3
352596	30	Standard	364451-45	16-Light	Standard	24	3
352597	30	Standard	364451-49	7-Light	Standard	24	3
352598	30	Standard	A-347394	16-Light	Oversized	24	3
352599	30	Standard	A-352630	7-Light	Oversized	24	3
352600	30/40/50	Standard	A-354146	Decision-Maker 340	NA	24	3
352601	40	Standard	364451-53	16-Light	Standard	24	3
352602	40	Standard	364451-57	7-Light	Standard	24	3
352603	40	Standard	A-347073	16-Light	Oversized	24	3
352604	40	Standard	A-352633	7-Light	Oversized	24	3
352605	40	Standard	A-354146	Decision-Maker 340	NA	24	3
352611	20/30	600	364451-36	16-Light	Standard	24	3
352612	20/30	600	364451-39	7-Light	Standard	24	3
352613	20/30	600	A-352635	16-Light	Oversized	24	3
352614	20/30	600	A-352636	7-Light	Oversized	24	3
352615	20/30/60	Standard	A-354146	Decision-Maker 340	NA	24	3
352616	40/50	600	364451-47	16-Light	Standard	24	3
352617	40/50	600	364451-51	7-Light	Standard	24	3
352618	40/50	600	A-352638	16-Light	Oversized	24	3
352619	40/50	600	A-352639	7-Light	Oversized	24	3
352621	60	600	364451-55	16-Light	Standard	24	3
352622	60	600	364451-59	7-Light	Standard	24	3
352623	60	600	A-352641	16-Light	Oversized	24	3
352624	60	600	A-352642	7-Light	Oversized	24	3
354109	200	Standard	364451-106	16-Light	Standard	24	3
354110	230/250	Standard	364451-119	16-Light	Standard	24	3
354112	230-275	600	364451-108	16-Light	Standard	24	3
354120	200	Standard	364451-112	7-Light	Standard	24	3
354121	230/250	Standard	364451-127	7-Light	Standard	24	3
354123	230-275	600	364451-117	7-Light	Standard	24	3
354124	200	Standard	A-328964	16-Light	Oversized	24	3
354125	230/250	Standard	A-328966	16-Light	Oversized	24	3
354127	230-275	600	A-328967	16-Light	Oversized	24	3
354128	200	Standard	A-347036	7-Light	Oversized	24	3
354129	230/250	Standard	A-347038	7-Light	Oversized	24	3
354131	230-275	600	A-347039	7-Light	Oversized	24	3
354221	275	Standard	364451-134	16-Light	Standard	24	3
354222	275	Standard	364451-137	7-Light	Standard	24	3
354223	275	Standard	A-354230	16-Light	Oversized	24	3
354224	275	Standard	A-354231	7-Light	Oversized	24	3
354225	230/250	Standard	A-350124	Decision-Maker 340	NA	24	3
354226	230-275	600	A-354146	Decision-Maker 340	NA	24	3
354227	275	Standard	A-350124	Decision-Maker 340	NA	24	3

Chart 1: Controller Group Data, continued

Kit/Spec Number	Generator Set kW	Volts (AC)	Controller Assembly Part Number	Controller Type	Controller Box Size	Battery Volts (DC)	Catalog Section
354237	200	Standard	A-350124	Decision-Maker 340	NA	24	3
360321	50	Standard	364451-60	16-Light	Standard	12	3
360322	50	Standard	364451-61	16-Light	Standard	24	3
360323	50	Standard	364451-62	7-Light	Standard	12	3
360324	50	Standard	364451-63	7-Light	Standard	24	3
360325	50	Standard	A-360315	16-Light	Oversized	12	3
360326	50	Standard	A-360316	16-Light	Oversized	24	3
360327	50	Standard	A-360317	7-Light	Oversized	12	3
360328	50	Standard	A-360318	7-Light	Oversized	24	3
360329	50	Standard	A-360319	Decision-Maker 1 w/ gauges and meter	NA	12	3
360331	50	Standard	A-347946	Decision-Maker 340	NA	12	3
360332	50	Standard	A-354146	Decision-Maker 340	NA	24	3
360827	80/100	Standard	A-354146	Decision-Maker 340	NA	24	3
360828	80/100	Standard	A-354146	Decision-Maker 340	NA	24	3
360829	80/100	Standard	A-354146	Decision-Maker 340	NA	24	3
360830	80/100	600	A-354146	Decision-Maker 340	NA	24	3
361407	1000/1250/1500	Std. and 380	364451-182	16-Light	Standard	24	5
361408	1000/1250/1500	Std. and 380	364451-187	7-Light	Standard	24	5
361409	1000/1250/1500	Std. and 380	A-361440	16-Light	Oversized	24	5
361410	1000/1250/1500	Std. and 380	A-361441	7-Light	Oversized	24	5
361411	1000/1250/1500	Std. and 380	A-343569	Decision-Maker 340	NA	24	5
361412	1250/2000	all	364501-9	Engine Gauge	NA	24	5
361413	1750/2000	Std. and 380	364451-191	16-Light	Standard	24	5
361414	1750/2000	Std. and 380	364451-193	7-Light	Standard	24	5
361415	1750/2000	Std. and 380	A-361445	16-Light	Oversized	24	5
361416	1750/2000	Std. and 380	A-361446	7-Light	Oversized	24	5
361417	1750/2000	Std. and 380	A-343569	Decision-Maker 340	NA	24	5
361418	1000/1250/1500	600	364451-174	16-Light	Standard	24	5
361419	1000/1250/1500	600	364451-178	7-Light	Standard	24	5
361420	1000/1250/1500	600	A-361449	16-Light	Oversized	24	5
361421	1000/1250/1500	600	A-361450	7-Light	Oversized	24	5
361422	1000/1250/1500	600	A-343569	Decision-Maker 340	NA	24	5
361423	1750/2000	600	364451-184	16-Light	Standard	24	5
361424	1750/2000	600	364451-189	7-Light	Standard	24	5
361425	1750/2000	600	A-361453	16-Light	Oversized	24	5
361426	1750/2000	600	A-361454	7-Light	Oversized	24	5
361427	1750/2000	600	A-343569	Decision-Maker 340	NA	24	5
361428	1250	4160	364451-94	16-Light	Standard	24	5
361429	1250	4160	364451-101	7-Light	Standard	24	5
361430	1250	4160	A-361457	16-Light	Oversized	24	5
361431	1250	4160	A-361458	7-Light	Oversized	24	5
361432	1250	4160	A-343569	Decision-Maker 340	NA	24	5
361433	1500/2000	4160	364451-103	16-Light	Standard	24	5
361434	1500/2000	4160	364451-116	7-Light	Standard	24	5
361435	1500/2000	4160	A-361361	16-Light	Oversized	24	5
361436	1500/2000	4160	A-361362	7-Light	Oversized	24	5
361437	1500/1750	4160	A-343569	Decision-Maker 340	NA	24	5
361861	450-500	Standard	364451-155	16-Light	Standard	24	5
361862	450-500	Standard	364451-160	7-Light	Standard	24	5
361863	450-500	Standard	A-365630	16-Light	Oversized	24	5
361864	450-500	Standard	A-365631	7-Light	Oversized	24	5
361865	450-500	Standard	A-343569	Decision-Maker 340	NA	24	5
361881	450-500	600	364451-144	16-Light	Standard	24	5
361882	450-500	600	364451-151	7-Light	Standard	24	5
361883	450-500	600	A-361893	16-Light	Oversized	24	5
361884	450-500	600	A-361894	7-Light	Oversized	24	5
361885	450-500	600	A-343569	Decision-Maker 340	NA	24	5
361903	450-500	380	A-365630	16-Light	Oversized	24	5
361904	450-500	380	A-365631	7-Light	Oversized	24	5
361905	450-500	380	A-343569	Decision-Maker 340	NA	24	5

Chart 1: Controller Group Data, continued

Kit/Spec Number	Generator Set kW	Volts (AC)	Controller Assembly Part Number	Controller Type	Controller Box Size	Battery Volts (DC)	Catalog Section
364502-MA1	20	Standard	364451-1	16-Light	Standard	12	3
364502-MA10	40	600	364451-10	7-Light	Standard	12	3
364502-MA11	20	Standard	364451-1	16-Light	Standard	12	3
364502-MA12	20	Standard	364451-2	7-Light	Standard	12	3
364502-MA15	40	Standard	364451-7	16-Light	Standard	12	3
364502-MA16	40	Standard	364451-8	7-Light	Standard	12	3
364502-MA17	200	Standard	364451-24	16-Light	Standard	24	3
364502-MA18	200	Standard	364451-25	7-Light	Standard	24	3
364502-MA2	20	Standard	364451-2	7-Light	Standard	12	3
364502-MA21	200	600	364451-26	16-Light	Standard	24	3
364502-MA22	200	600	364451-27	7-Light	Standard	24	3
364502-MA25	60	Standard	364451-202	16-Light	Standard	12	3
364502-MA27	60	600	364451-206	16-Light	Standard	12	3
364502-MA29	30/35	Standard	364451-196	16-Light	Standard	12	3
364502-MA3	20/30	600	364451-3	16-Light	Standard	12	3
364502-MA31	30-50	600	364451-204	16-Light	Standard	12	3
364502-MA33	35/45	Standard	364451-198	16-Light	Standard	12	3
364502-MA35	50	Standard	364451-200	16-Light	Standard	12	3
364502-MA4	20/30	600	364451-4	7-Light	Standard	12	3
364502-MA43	85	Standard	364451-208	16-Light	Standard	12	3
364502-MA44	50	600	364451-211	16-Light	Standard	12	3
364502-MA45	105	Standard	364451-210	16-Light	Standard	12	3
364502-MA5	40	Standard	364451-5	16-Light	Standard	12	3
364502-MA6	40	Standard	364451-6	7-Light	Standard	12	3
364502-MA7	40	Standard	364451-7	16-Light	Standard	12	3
364502-MA8	40	Standard	364451-8	7-Light	Standard	12	3
364502-MA9	40	600	364451-9	16-Light	Standard	12	3
364504-MA1	20	Standard	364454-1	Decision-Maker 1 w/ gauges and meter	NA	12	3
364504-MA10	60	600	364454-27	Decision-Maker 1 w/ gauges and meter	NA	12	3
364504-MA11	30/35	Standard	364454-22	Decision-Maker 1 w/ gauges and meter	NA	12	3
364504-MA12	30-60	Standard	364454-26	Decision-Maker 1 w/ gauges and meter	NA	12	3
364504-MA13	35/45	600	364454-23	Decision-Maker 1 w/ gauges and meter	NA	12	3
364504-MA14	50	Standard	364454-24	Decision-Maker 1 w/ gauges and meter	NA	12	3
364504-MA19	90	Standard	364454-28	Decision-Maker 1 w/ gauges and meter	NA	12	3
364504-MA2	20/30	600	364454-2	Decision-Maker 1 w/ gauges and meter	NA	12	3
364504-MA20	100	600	364454-30	Decision-Maker 1 w/ gauges and meter	NA	12	3
364504-MA21	105	Standard	364454-29	Decision-Maker 1 w/ gauges and meter	NA	12	3
364504-MA3	30/40	Standard	364454-3	Decision-Maker 1 w/ gauges and meter	NA	12	3
364504-MA4	40	Standard	364454-4	Decision-Maker 1 w/ gauges and meter	NA	12	3
364504-MA5	40	600	364454-5	Decision-Maker 1 w/ gauges and meter	NA	12	3
364504-MA6	20	Standard	364454-1	Decision-Maker 1 w/ gauges and meter	NA	12	3
364504-MA8	40	Standard	364454-4	Decision-Maker 1 w/ gauges and meter	NA	12	3
364504-MA9	60	Standard	364454-25	Decision-Maker 1 w/ gauges and meter	NA	12	3
364505-MA1	20-180	Standard	A-336597	Decision-Maker 1	NA	12	3
364505-MA2	20-180	Standard	364455-2	Decision-Maker 1 w/ gauges	NA	12	3

Chart 1: Controller Group Data, continued

Kit/Spec Number	Generator Set kW	Volts (AC)	Controller Assembly Part Number	Controller Type	Controller Box Size	Battery Volts (DC)	Catalog Section
364505-MA3	20-180	Standard	364455-3	Decision-Maker 1 w/ gauges	NA	12	3
364506-MA1	20	600	A-347946	Decision-Maker 340	NA	12	3
364506-MA10	200	600	A-364146	Decision-Maker 340	NA	24	3
364506-MA12	60	Standard	A-347946	Decision-Maker 340	NA	12	3
364506-MA13	60	600	A-347946	Decision-Maker 340	NA	12	3
364506-MA14	30-50	all	A-347946	Decision-Maker 340	NA	12	3
364506-MA15	35/45	all	A-347946	Decision-Maker 340	NA	12	3
364506-MA16	35/50	Standard	A-347946	Decision-Maker 340	NA	12	3
364506-MA2	20/30	600	A-347946	Decision-Maker 340	NA	12	3
364506-MA22	85	Standard	A-347946	Decision-Maker 340	NA	12	3
364506-MA24	50	Standard	A-347946	Decision-Maker 340	NA	12	3
364506-MA25	60	Standard	A-347946	Decision-Maker 340	NA	12	3
364506-MA26	50	Standard	A-347946	Decision-Maker 340	NA	12	3
364506-MA27	100	Standard	A-347946	Decision-Maker 340	NA	24	3
364506-MA28	200	Standard	A-354146	Decision-Maker 340	NA	24	3
364506-MA3	30/40	600	A-347946	Decision-Maker 340	NA	12	3
364506-MA4	40	Standard	A-347946	Decision-Maker 340	NA	12	3
364506-MA5	20	Standard	A-347946	Decision-Maker 340	NA	12	3
364506-MA7	40	Standard	A-347946	Decision-Maker 340	NA	12	3
364506-MA8	200	Standard	A-354146	Decision-Maker 340	NA	24	3
365051	600-900	Standard	364451-164	16-Light	Standard	24	5
365052	600-900	Standard	364451-168	7-Light	Standard	24	5
365053	600-900	Standard	A-365063	16-Light	Oversized	24	5
365054	600-900	Standard	A-365064	7-Light	Oversized	24	5
365055	600-900	Standard	A-343569	Decision-Maker 340	NA	24	5
365071	600-750	380	364451-164	16-Light	Standard	24	5
365072	600-750	380	364451-168	7-Light	Standard	24	5
365073	600-750	380	A-365063	16-Light	Oversized	24	5
365074	600-750	380	A-365064	7-Light	Oversized	24	5
365075	600-750	380	A-343569	Decision-Maker 340	NA	24	5
365091	600-800	600	364451-157	16-Light	Standard	24	5
365092	600-800	600	364451-162	7-Light	Standard	24	5
365093	600-800	600	A-365103	16-Light	Oversized	24	5
365094	600-800	600	A-365104	7-Light	Oversized	24	5
365095	600-800	600	A-343569	Decision-Maker 340	NA	24	5
365131	800-900	Std. and 380	364451-172	16-Light	Standard	24	5
365132	800-900	Std. and 380	364451-176	7-Light	Standard	24	5
365133	800-900	Std. and 380	A-365123	16-Light	Oversized	24	5
365134	800-900	Std. and 380	A-365124	7-Light	Oversized	24	5
365135	800-900	Std. and 380	A-343569	Decision-Maker 340	NA	24	5
365151	900	600	364451-166	16-Light	Standard	24	5
365152	900	600	364451-170	7-Light	Standard	24	5
365153	900	600	A-365163	16-Light	Oversized	24	5
365154	900	600	A-365164	7-Light	Oversized	24	5
365155	900	600	A-343569	Decision-Maker 340	NA	24	5
365171	900-1000	Standard	364451-172	16-Light	Standard	24	5
365172	900-1000	Standard	364451-176	7-Light	Standard	24	5
365173	900-1000	Standard	A-365123	16-Light	Oversized	24	5
365174	900-1000	Standard	A-365124	7-Light	Oversized	24	5
365175	900-1000	Standard	A-343569	Decision-Maker 340	NA	24	5
365566	450-500	380	364451-155	16-Light	Standard	24	5
365567	450-500	380	364451-160	7-Light	Standard	24	5
GM10234-MA1	50	Standard	364451-60	16-Light	Standard	12	3
GM10235-MA1	50	Standard	364451-62	7-Light	Standard	12	3
GM10236-MA1	50	Standard	A-360319	Decision-Maker 1 w/ gauges and meter	NA	12	3
GM10238-MA1	50	Standard	A-347946	Decision-Maker 340	NA	12	3
GM10239-MA1	50	Standard	364451-61	16-Light	Standard	24	3
GM10240-MA1	50	Standard	364451-63	7-Light	Standard	24	3
GM10241-MA1	50	Standard	A-354146	Decision-Maker 340	NA	24	3

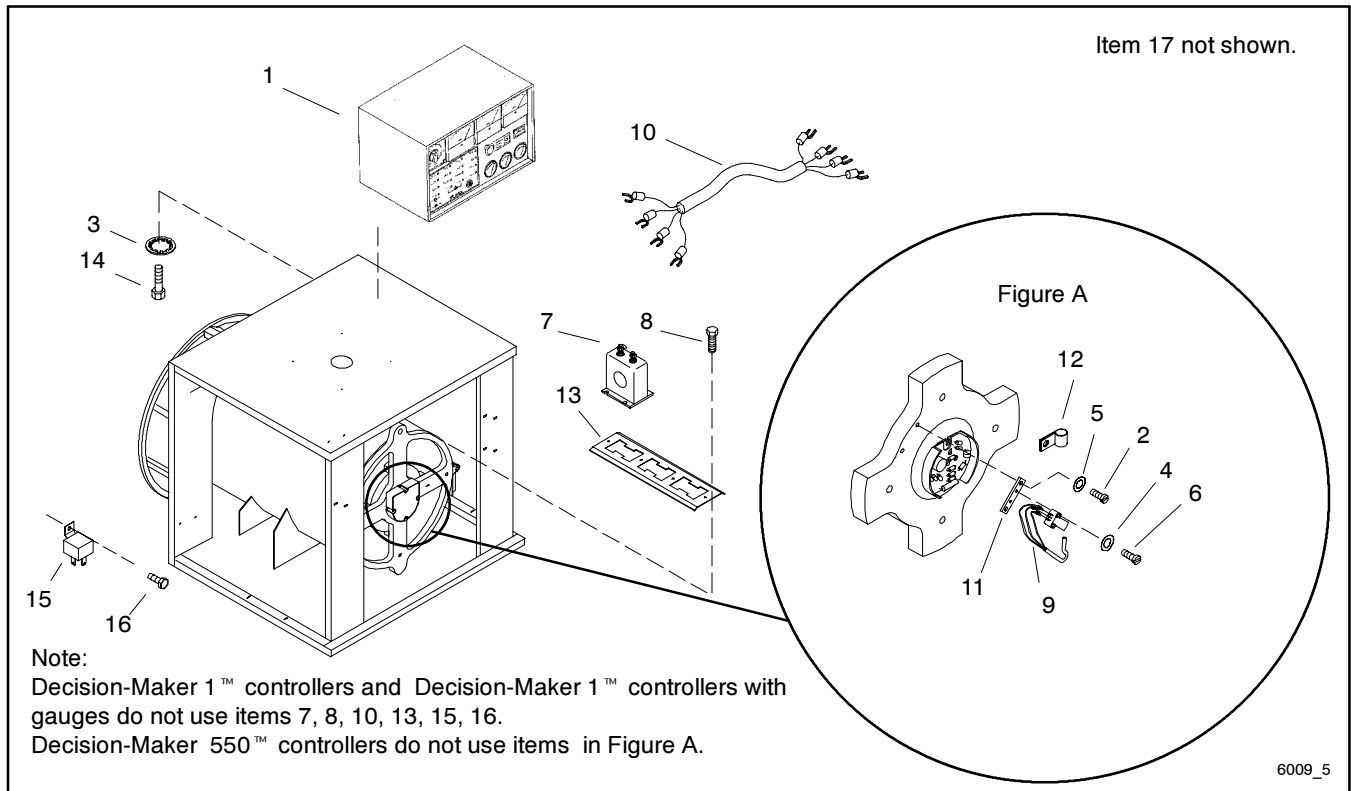
Chart 1: Controller Group Data, continued

Kit/Spec Number	Generator Set kW	Volts (AC)	Controller Assembly Part Number	Controller Type	Controller Box Size	Battery Volts (DC)	Catalog Section
GM10242-MA1	70/80	Standard	364451-72	16-Light	Standard	12	3
GM10243-MA1	70/80	Standard	364451-77	7-Light	Standard	12	3
GM10244-MA1	70/80	Standard	A-336621	Decision-Maker 1 w/ gauges and meter	NA	12	3
GM10246-MA1	70/80	Standard	A-347946	Decision-Maker 340	NA	12	3
GM10247-MA1	100	Standard	364451-81	16-Light	Standard	12	3
GM10248-MA1	100	Standard	364451-87	7-Light	Standard	12	3
GM10249-MA1	100	Standard	A-336628	Decision-Maker 1 w/ gauges and meter	NA	12	3
GM10251-MA1	100	Standard	A-347946	Decision-Maker 340	NA	12	3
GM10252-MA1	70/80	Standard	364451-73	16-Light	Standard	24	3
GM10253-MA1	70/80	Standard	364451-78	7-Light	Standard	24	3
GM10254-MA1	70/80	Standard	A-354146	Decision-Maker 340	NA	24	3
GM10255-MA1	100	Standard	364451-82	16-Light	Standard	24	3
GM10256-MA1	100	Standard	364451-88	7-Light	Standard	24	3
GM10257-MA1	100	Standard	A-354146	Decision-Maker 340	NA	24	3
GM10492-MA1	200	Standard	364501-1	Engine Gauge	NA	24	3
GM11412-MA1	900-1000	all	364501-5	Engine Gauge	NA	24	5
GM11414-MA1	900-1000	Standard	364451-20	16-Light	Standard	24	5
GM11414-MA13	1000	Standard	364451-22	16-Light	Standard	24	5
GM11414-MA14	1000	Standard	364451-23	7-Light	Standard	24	5
GM11414-MA15	1000	Standard	A-347947	Decision-Maker 340	NA	24	5
GM11414-MA19	1000	600	364451-173	16-Light	Standard	24	5
GM11414-MA2	900-1000	Standard	364451-21	7-Light	Standard	24	5
GM11414-MA20	1000	600	364451-177	7-Light	Standard	24	5
GM11414-MA21	1000	600	A-347947	Decision-Maker 340	NA	24	5
GM11414-MA25	900	600	364451-18	16-Light	Standard	24	5
GM11414-MA26	900	600	364451-19	7-Light	Standard	24	5
GM11414-MA27	900	600	A-347947	Decision-Maker 340	NA	24	5
GM11414-MA3	900-1000	Standard	A-347947	Decision-Maker 340	NA	24	5
GM11414-MA31	900	Standard	364451-22	16-Light	Standard	24	5
GM11414-MA32	900	Standard	364451-23	7-Light	Standard	24	5
GM11414-MA33	900	Standard	A-347947	Decision-Maker 340	NA	24	5
GM11414-MA37	600	Standard	364451-28	16-Light	Standard	24	5
GM11414-MA38	600	Standard	364451-29	7-Light	Standard	24	5
GM11414-MA39	600	380	A-347947	Decision-Maker 340	NA	24	5
GM11414-MA43	600	600	364451-194	16-Light	Standard	24	5
GM11414-MA44	600	600	364451-195	7-Light	Standard	24	5
GM11414-MA45	600	600	A-347947	Decision-Maker 340	NA	24	5
GM11414-MA52	600	Standard	A-347947	Decision-Maker 340	NA	24	5
GM11414-MA53	900-1000	Standard	A-347947	Decision-Maker 340	NA	24	5
GM11414-MA7	900	380	364451-20	16-Light	Standard	24	5
GM11414-MA8	900	380	364451-21	7-Light	Standard	24	5
GM11414-MA9	900	380	A-347947	Decision-Maker 340	NA	24	5
GM11461-MA1	170	Standard	364451-104	16-Light	Standard	12	3
GM11462-MA1	170	Standard	364451-110	7-Light	Standard	12	3
GM11463-MA1	170	Standard	A-336626	Decision-Maker 1 w/ gauges and meter	NA	12	3
GM11465-MA1	170	Standard	A-347946	Decision-Maker 340	NA	12	3
GM11466-MA1	170	Standard	364451-107	16-Light	Standard	24	3
GM11467-MA1	170	Standard	364451-113	7-Light	Standard	24	3
GM11468-MA1	170	Standard	A-354146	Decision-Maker 340	NA	24	3
GM11690-MA1	200	Standard	364501-3	Engine Gauge	NA	24	3
GM12188-MA1	170	600	364451-83	16-Light	Standard	12	3
GM12189-MA1	170	600	364451-89	7-Light	Standard	12	3
GM12190-MA1	170	600	A-336627	Decision-Maker 1 w/ gauges and meter	NA	12	3
GM12192-MA1	170	600	A-347946	Decision-Maker 340	NA	12	3
GM12193-MA1	170	600	364451-86	16-Light	Standard	12	3
GM12194-MA1	170	600	364451-92	7-Light	Standard	12	3
GM12195-MA1	170	600	A-354146	Decision-Maker 340	NA	12	3

Chart 1: Controller Group Data, continued

Kit/Spec Number	Generator Set kW	Volts (AC)	Controller Assembly Part Number	Controller Type	Controller Box Size	Battery Volts (DC)	Catalog Section
GM16993-MA1	600-800	600	GM10193-2	Decision-Maker 550	NA	24	5
GM16993-MA10	1750-2000	600	GM10193-2	Decision-Maker 550	NA	24	5
GM16993-MA12	450-500	Standard	GM10193-2	Decision-Maker 550	NA	24	5
GM16993-MA13	450-500	380	GM10193-2	Decision-Maker 550	NA	24	5
GM16993-MA14	450-500	600	GM10193-2	Decision-Maker 550	NA	24	5
GM16993-MA2	600-750	Std. and 380	GM10193-2	Decision-Maker 550	NA	24	5
GM16993-MA3	900	600	GM10193-2	Decision-Maker 550	NA	24	5
GM16993-MA4	900-1000	Standard	GM10193-2	Decision-Maker 550	NA	24	5
GM16993-MA5	800-900	Std. and 380	GM10193-2	Decision-Maker 550	NA	24	5
GM16993-MA6	1000-1500	600	GM10193-2	Decision-Maker 550	NA	24	5
GM16993-MA7	600-900	Standard	GM10193-2	Decision-Maker 550	NA	24	5
GM16993-MA8	1000-1500	Std. and 380	GM10193-2	Decision-Maker 550	NA	24	5
GM16993-MA9	1750-2000	Std. and 380	GM10193-2	Decision-Maker 550	NA	24	5
GM17126-MA1	230	Standard	GM10193-2	Decision-Maker 550	NA	24	3
GM17126-MA2	230-300	600	GM10193-2	Decision-Maker 550	NA	24	3
GM17126-MA3	250-300	Standard	GM10193-2	Decision-Maker 550	NA	24	3
GM17126-MA4	200-275	600	GM10193-2	Decision-Maker 550	NA	24	3
GM17126-MA5	200-250	Standard	GM10193-2	Decision-Maker 550	NA	24	3
GM17126-MA6	275	Standard	GM10193-2	Decision-Maker 550	NA	24	3
GM17127-MA1	350/400	Standard	GM10193-2	Decision-Maker 550	NA	24	4
GM17127-MA2	350	380	GM10193-2	Decision-Maker 550	NA	24	4
GM17127-MA3	350	600	GM10193-2	Decision-Maker 550	NA	24	4
GM17127-MA4	400	Standard	GM10193-2	Decision-Maker 550	NA	24	4
GM17127-MA5	400	380	GM10193-2	Decision-Maker 550	NA	24	4
GM17127-MA6	400	600	GM10193-2	Decision-Maker 550	NA	24	4
GM17688-MA1	1500-2000	3300/4160	GM10193-2	Decision-Maker 550	NA	24	5
GM17688-MA2	1250	3300/4160	GM10193-2	Decision-Maker 550	NA	24	5
GM19620-MA1	20	Standard	A-347946	Decision-Maker 340	NA	12	3

Section 3 Controller Group Parts (20-300 kW)



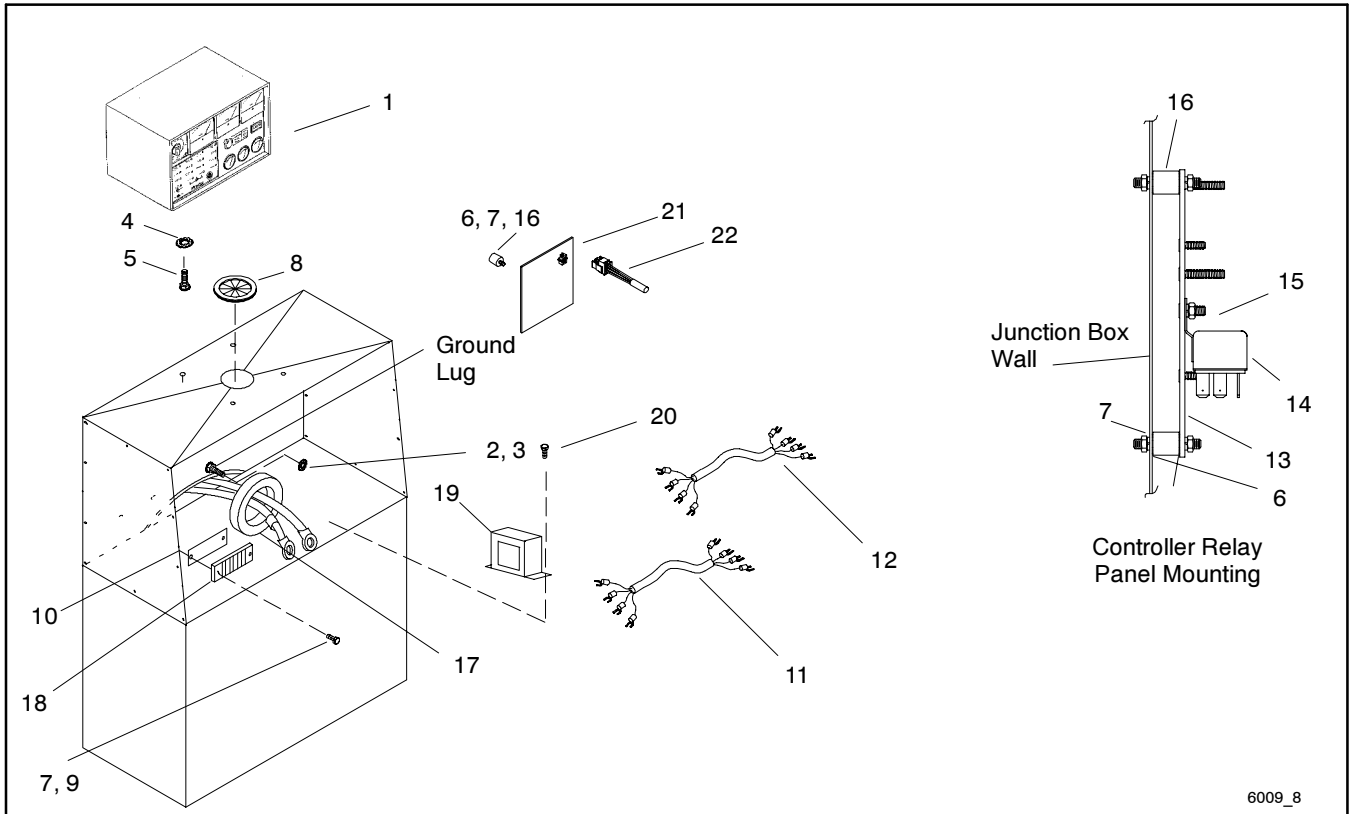
Controller Kit Parts

Item	Qty.	Description	Part Number
1	1	Controller assembly	See Chart 1
2	2	Screw, hex head, 10-24 x 5/8	X-117-5
3	4	Washer, lock, 5/16, internal/external tooth	X-22-16
4	2	Washer, lock, #4, internal tooth	X-22-24
5	2	Washer, lock, #10, internal tooth	X-22-9
6	2	Screw, round head slotted	X-49-35
7	3	Transformer	See Section 6
8	4	Screw, drill hex	X-794-1
9	1	Sensor, ferromagnetic	241623
10	1	Harness, CT wiring (20-150 kW, small junction box)	255040
10	1	Harness, CT wiring (125-300 kW, large junction box)	354119
10	1	Harness, CT wiring (200-300 kW with Decision-Maker 550 controller)	GM11500
10	1	Harness, CT burden (200-300 kW with Decision-Maker 550 controller)	GM14074
11	1	Bracket, sensor mounting	257070
12	3	Clamp, insulator	X-672-15
13	1	Bracket, CT mounting (20-100 kW and 70-150 kW 600 volt)*	276417
13	1	Bracket, CT mounting (100 kW (4S11 or 4S13)-150 kW)*	299966
13	1	Bracket, CT mounting (150 kW John Deere-powered, 180-300 kW)*	325352
13	1	Bracket, CT mounting (20-80ROZJ)†	273967
13	1	Bracket, CT mounting (150ROZJ)†	273840
14	4	Screw, HC	X-125-23
15	1	Relay (not used on DDC Series 60 gas)	272684
16	1	Screw, hex head, 10-24 x 5/8 (not used on DDC Series 60 gas)	X-117-5
17	1	Switch assembly, water level (notshown-engine gauge box controllers only)	336657

* Bracket is mounted on the alternator.

† Bracket is mounted on the junction box.

Section 4 Controller Group Parts (350/400 kW, DDC Series 60)



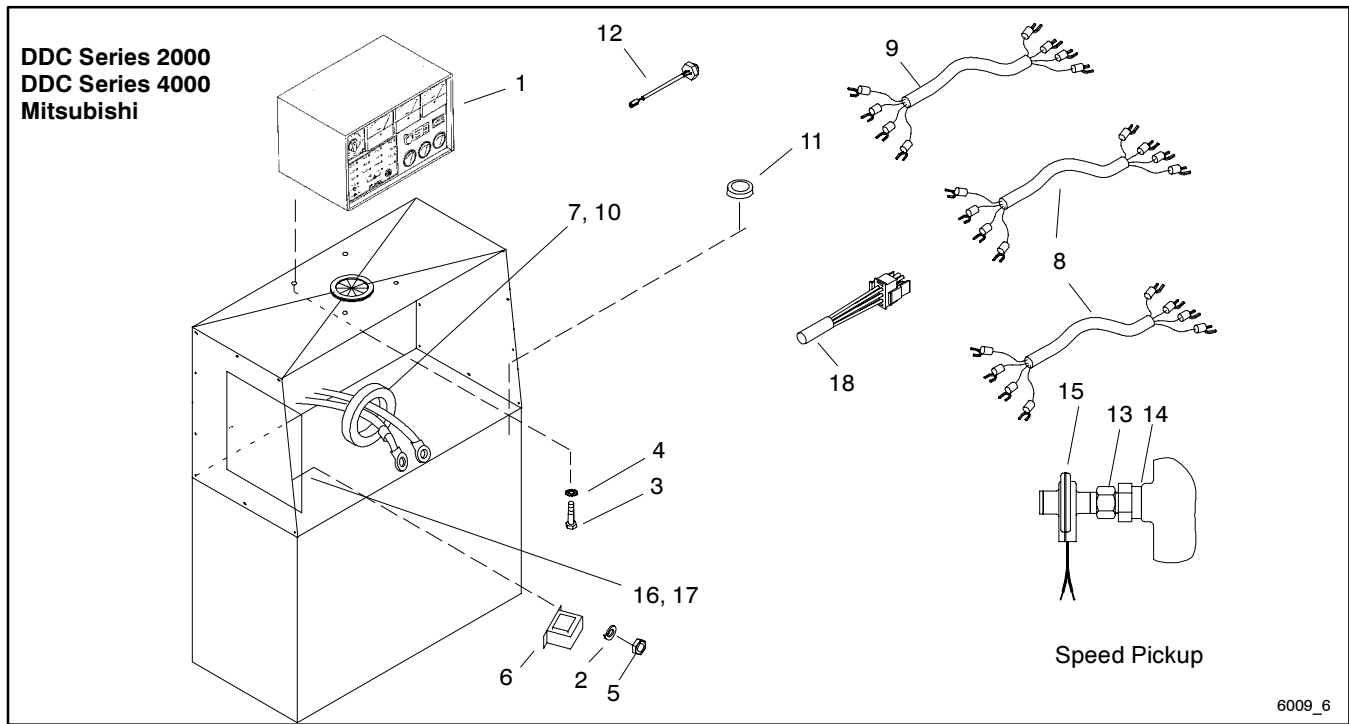
6009_8

Controller Kit Parts

Item	Qty.	Description	Part Number
1	1	Controller assembly	See Chart 1
2	6	Washer, lock, .391 ID x .975 in. OD	X-22-14
3	1	Nut, 3/8-16	#
4	4	Washer, lock, .326 ID x .883 in. OD	X-22-16
5	4	Screw, hex head machine	X-125-23
6	8	Washer, lock, .172 ID x .373 in. OD	X-22-20
7	10	Nut, #8-32	#
8	1	Grommet, round	X-284-25
9	2	Screw, cross recess round head machine	X-51-11
10	1	Marker, strip	255080
11	1	Wiring harness, AC, Marathon Magna Max	258453
12	1	Wiring harness AC	258455
12	1	Wiring harness AC (380 and 600 V only)	274964
13	1	Panel, relay	274796
14	1	Relay	272684
15	1	Nut, #10-32	#
16	4	Vibromount	282829
17	3	Transformer, current	See Section 6
18	1	Terminal block	295314
19	1	Transformer, potential (380 V only)	276278
19	1	Transformer, potential (600 V only)	258990
20	1	Screw, hex washer head, drill (380 and 600 V only)	X-794-2
21	1	PCB assembly, CT burden resistor (Decision-Maker 550 controller)	GM13980
22	1	Harness, CT burden (Decision-Maker 550 controller)	GM14074

Common hardware; procure locally.

Section 5 Controller Group Parts (450-2000 kW)



Controller Kit Parts

Item	Qty.	Description	Part Number
1	1	Controller assembly	See Chart 1
2	6	Washer, lock	X-18-1
2	12	Hardware, 3/8-16 (3300 and 4160 V only)	#
3	4	Screw, HC	X-125-33
4	4	Washer, lock, 5/16	X-22-16
5	6	Nut, hex, 6-32, zinc	X-71-2
5	12	Hardware, 3/8-16 (3300 V and 4160 V only)	#
6	3	Transformer, potential*	See Section 6
7	3	Transformer, current*	See Section 6
8	1	AC harness (450-900 kW, 10-lead only)*	258455
8	1	AC harness (450-900 kW, 380 V and 600 V only)*	361900
8	1	AC harness (900-2000 kW, std. and 600 V only)*	361328
8	1	AC harness, primary (3300 and 4160 V only)*	GM11881
8	1	AC harness, secondary (3300 and 4160 V only)*	361542
9	1	CT harness*	361329
9	1	CT harness (Decision-Maker 550 controller)	GM11501
9	1	CT harness, 3300 and 4160 V (Decision-Maker 550 controller)	GM17687
10	3	Support, CT (between bus and CT, not shown)*	361506
10	1	Bracket, bottom (lead models, not shown)*	365620
10	1	Bracket, top (lead models, not shown)*	365621
11	1	Bushing, nylon, 1.968 ID*	X-634-23
12	1	Switch assembly, water level*	336657
13	1	Shaft, tach drive (600, 900-1000 kW Mitsubishi)*	GM10982
14	1	Coupling (600, 900-1000 kW Mitsubishi)*	GM10983
15	1	Pickup, speed (600, 900-1000 kW Mitsubishi)*	GM10984
16	1	Plate, PT mounting (3300 and 4160 V only)*	GM11714
17	4	Vibromount (3300 and 4160 V only)*	292834
18	1	Harness, CT burdon (Decision-Maker 550 controller)	GM14074

* Part does not apply to Engine Gauge Box controllers.
 # Common hardware; procure locally.

Section 6 Transformers

This chart lists controller transformer part numbers. The chart is sorted by kit/spec number.

Chart 2: Controller Transformers		
Kit/Spec Number	Part Number	
	Potential Transformer	Current Transformer
183030	NA	246886
183033	NA	246886
183036	NA	246885
183037	NA	259414
183039	NA	246886
183040	NA	246885
183041	NA	246886
183042	NA	259414
183044	NA	259793
183046	NA	259414
183047	NA	259414
183048	NA	259793
183230	NA	246887
183233	NA	246887
183236	NA	246887
183237	NA	246886
183238	NA	259414
183240	NA	246887
183241	NA	246886
183242	NA	246887
183243	NA	246887
183244	NA	259414
183246	NA	259792
183248	NA	259414
183249	NA	259414
183250	NA	259792
185030	NA	246885
185033	NA	246885
185036	NA	246885
185037	NA	259359
185039	NA	246885
185040	NA	246885
185041	NA	246885
185042	NA	246885
185050	NA	246886
185053	NA	246885
185054	NA	246886
185057	NA	246885
185058	NA	259360
185060	NA	246886
185061	NA	246885
185062	NA	246886
185063	NA	246885
185068	NA	259359
185070	NA	259793
185072	NA	259360
185074	NA	259793
185076	NA	259360
185078	NA	259360
185080	NA	259793
185084	NA	259359
185086	NA	259359
185088	NA	259793
185090	NA	259360
185091	NA	259360

Chart 2: Controller Transformers		
Kit/Spec Number	Part Number	
	Potential Transformer	Current Transformer
185092	NA	259793
185112	NA	259359
185114	NA	259359
185116	NA	259793
187060	NA	246889
187063	NA	246889
187066	NA	246887
187067	NA	246889
187068	NA	246889
187071	NA	246889
187072	NA	246889
187073	NA	246889
187074	NA	246889
187075	NA	246887
187076	NA	255860
187077	NA	255860
187078	NA	259359
187130	NA	246887
187131	NA	246887
187133	NA	246886
187136	NA	246887
187137	NA	246887
187138	NA	246886
187139	NA	255860
187140	NA	255860
187141	NA	259792
187260	NA	246889
187263	NA	246889
187266	NA	246887
187269	NA	246889
187270	NA	246889
187271	NA	246887
187272	NA	255860
187273	NA	255860
187274	NA	259360
187320	NA	246889
187323	NA	246889
187326	NA	246887
187328	NA	246889
187330	NA	246889
187333	NA	246887
187334	NA	246889
187335	NA	246887
187339	NA	246889
187340	NA	246887
187341	NA	255860
187342	NA	253503
187343	NA	259360
187425	NA	248874
187428	NA	248874
187431	NA	246889
187435	NA	248874
187438	NA	246889
187441	NA	253503
187442	NA	253503

Chart 2: Controller Transformers, continued		
Kit/Spec Number	Part Number	
	Potential Transformer	Current Transformer
187443	NA	259360
189001	NA	259360
189002	NA	259359
189003	NA	259360
189010	NA	259360
189011	NA	259793
189012	NA	259360
189016	NA	259360
189017	NA	259793
189018	NA	259360
189022	NA	259360
189023	NA	259793
189024	NA	259360
189029	NA	253274
189030	NA	259793
189034	NA	253274
189035	NA	259793
189101	NA	259360
189102	NA	259359
189103	NA	259360
189110	NA	259360
189111	NA	259793
189112	NA	259360
189116	NA	259360
189117	NA	259793
189118	NA	259360
189122	NA	259360
189123	NA	259360
189124	NA	259793
189125	NA	259360
189129	NA	259360
189132	NA	259360
189133	NA	259360
189134	NA	259793
189137	NA	NA
189140	NA	259360
189141	NA	259793
189201	NA	259414
189202	NA	259360
189203	NA	259414
189210	NA	259414
189211	NA	259360
189212	NA	259414
189216	NA	259414
189217	NA	259792
189218	NA	259414
189222	NA	259414
189223	NA	259792
189224	NA	259414
189229	NA	259414
189230	NA	259792
189231	NA	259414
189232	NA	259792
189235	NA	259414
189236	NA	259792
189237	NA	259414
189238	NA	259792
189301	NA	255860
189302	NA	259792
189303	NA	255860
189310	NA	255860

Chart 2: Controller Transformers, continued		
Kit/Spec Number	Part Number	
	Potential Transformer	Current Transformer
189311	NA	259792
189312	NA	255860
189316	NA	255860
189317	NA	259792
189318	NA	255860
189325	NA	253502
189326	NA	259792
189333	NA	255860
189334	NA	259792
189401	NA	255860
189402	NA	259414
189407	NA	255860
189408	NA	259359
189411	NA	255860
189412	NA	255860
189413	NA	259359
189416	NA	255860
189417	NA	255860
189419	NA	255860
189422	NA	255860
189423	NA	255860
189424	NA	259359
189425	NA	255860
189426	NA	259359
189431	NA	NA
189432	NA	255860
189433	NA	259359
189434	NA	255860
189435	NA	259359
189501	NA	255860
189502	NA	255860
189503	NA	255860
189510	NA	255860
189512	NA	255860
189514	NA	259360
189517	NA	255860
189519	NA	255860
189521	NA	259360
189523	NA	255860
189524	NA	259360
189525	NA	255860
189529	NA	255860
189530	NA	255860
189531	NA	259360
189532	NA	253503
189536	NA	255860
189538	NA	255860
189539	NA	255860
189540	NA	259360
189541	NA	253503
189542	NA	259360
189546	NA	255860
189547	NA	259360
189548	NA	253503
189549	NA	259360
189552	NA	255860
189601	NA	253503
189602	NA	255860
189603	NA	253503
189610	NA	253503
189612	NA	259360

Chart 2: Controller Transformers, continued		
Kit/Spec Number	Part Number	
	Potential Transformer	Current Transformer
189614	NA	253503
189616	NA	253503
189618	NA	259360
189620	NA	253503
189622	NA	253503
189623	NA	259360
189624	NA	253503
189628	NA	253503
189629	NA	253503
189630	NA	259360
189631	NA	273257
189635	NA	253503
189640	NA	253503
189641	NA	253503
189642	NA	259360
189643	NA	273257
189644	NA	259360
189648	NA	253503
189649	NA	259360
189650	NA	273257
189651	NA	259360
189657	NA	253503
189701	NA	273257
189702	NA	255860
189705	NA	273257
189708	NA	273257
189710	NA	259360
189712	NA	273257
189714	NA	259360
189716	NA	273257
189717	NA	255860
189721	NA	253610
189722	NA	259414
189725	NA	253610
189801	NA	253610
189802	NA	253503
189803	NA	253610
189807	NA	253610
189811	NA	253610
189815	NA	259414
189817	NA	253610
189819	NA	259414
189821	NA	253610
189822	NA	259414
189823	NA	253610
189828	NA	253610
189829	NA	259414
189830	NA	253610
189831	NA	253610
189835	NA	253610
189837	NA	253610
189849	NA	272691
189850	NA	259414
189853	NA	253610
189901	NA	272691
189902	NA	273257
189903	NA	272691
189911	NA	272691
189912	NA	273257
189913	NA	272691
189915	NA	253610

Chart 2: Controller Transformers, continued		
Kit/Spec Number	Part Number	
	Potential Transformer	Current Transformer
189920	NA	272691
189921	NA	273257
189922	NA	272691
189926	NA	272691
189927	NA	279272
189928	NA	272691
189932	NA	272691
189933	NA	279272
189934	NA	272691
189939	NA	272691
189940	NA	279272
189941	NA	272691
189942	NA	272691
189945	NA	272691
189947	NA	272691
189955	NA	272691
189956	NA	279272
189957	NA	272691
189958	NA	279272
189961	NA	272691
189962	NA	272691
194006	NA	253610
194007	NA	259414
194016	NA	253610
194017	NA	259414
194018	NA	272691
194019	NA	279272
194026	NA	272691
194027	NA	279272
194028	NA	272691
194029	NA	279272
194036	NA	253610
194037	NA	259414
194044	NA	272691
194045	NA	279272
194046	NA	272691
194047	NA	279272
194049	NA	253610
194055	NA	253610
194067	NA	272691
194069	NA	272691
194205	NA	272691
194206	NA	279273
194207	NA	272691
194208	NA	279273
194215	NA	273258
194216	NA	279273
194217	NA	273258
194218	NA	279273
194225	NA	273258
194226	NA	279273
194227	NA	273258
194228	NA	279273
194235	NA	343297
194236	NA	279273
194237	NA	343297
194238	NA	279273
194245	NA	272691
194246	NA	279273
194247	NA	272691
194248	NA	279273

Chart 2: Controller Transformers, continued		
Kit/Spec Number	Part Number	
	Potential Transformer	Current Transformer
194255	NA	273258
194256	NA	279273
194257	NA	273258
194258	NA	279273
194265	NA	273258
194266	NA	279273
194267	NA	273258
194268	NA	279273
194275	NA	343297
194276	NA	279273
194277	NA	343297
194278	NA	279273
194280	NA	272691
194282	NA	272691
194290	NA	273258
194292	NA	273258
194300	NA	273258
194306	NA	343297
194374	NA	291547
194375	NA	291547
194376	NA	291547
194377	NA	354689
194378	NA	354689
194379	NA	354688
194380	NA	354688
194390	NA	291547
194391	NA	291547
194392	NA	291547
273395	NA	259360
273396	NA	259414
273397	NA	255860
273398	NA	273398
273399	NA	273257
273866	NA	259360
273867	NA	259360
273868	NA	259360
273869	NA	259414
273870	NA	259414
273871	NA	259414
273872	NA	255860
273873	NA	255860
273874	NA	255860
273875	NA	253503
273876	NA	253503
273877	NA	253503
273878	NA	273257
273879	NA	273257
273880	NA	273257
273881	NA	253610
273882	NA	253610
273883	NA	253610
273884	NA	272691
273885	NA	272691
273886	NA	272691
273887	NA	259359
273888	NA	259359
273889	NA	259359
273890	NA	259360
273891	NA	259360
273892	NA	259360
273896	NA	259414

Chart 2: Controller Transformers, continued		
Kit/Spec Number	Part Number	
	Potential Transformer	Current Transformer
273897	NA	259414
273898	NA	259414
273899	NA	255860
273900	NA	255860
273901	NA	255860
273905	NA	253503
273906	NA	253503
273907	NA	253503
273908	NA	272690
273909	NA	272690
273910	NA	273257
273939	NA	NA
274403	NA	272691
274405	NA	272691
274406	NA	272691
274676	NA	272691
275418	NA	253610
275419	NA	272691
275420	NA	259359
275421	NA	259360
275423	NA	259414
275424	NA	255960
275426	NA	253503
275427	NA	272690
275553	NA	253610
275554	NA	253610
275555	NA	253610
275556	NA	253610
276423	NA	259359
276424	NA	259359
276425	NA	259359
276426	NA	259359
276865	NA	279273
276866	NA	279273
276867	NA	279273
276872	NA	279273
326041	NA	255860
326166	NA	291546
326167	NA	291546
326168	NA	291546
326169	NA	291546
326621	NA	259359
326623	NA	259360
326629	NA	259414
326633	NA	255860
326637	NA	259793
326649	NA	259359
326657	NA	253503
326661	NA	253610
326662	NA	NA
326665	NA	259360
326671	NA	259414
326677	NA	272691
326679	NA	279272
326690	NA	NA
327007	NA	259360
327008	NA	259360
327009	NA	259360
327010	NA	259360
327012	NA	259414
327013	NA	259414

Chart 2: Controller Transformers, continued		
Kit/Spec Number	Part Number	
	Potential Transformer	Current Transformer
327014	NA	259414
327015	NA	259414
327017	NA	255860
327018	NA	255860
327019	NA	255860
327020	NA	255860
327022	NA	259793
327023	NA	259793
327024	NA	259793
327025	NA	259793
327027	NA	259792
327028	NA	259792
327029	NA	259792
327030	NA	259792
327033	NA	259359
327034	NA	259359
327035	NA	259359
327036	NA	259359
327038	NA	255860
327039	NA	255860
327040	NA	255860
327041	NA	255860
327043	NA	253503
327044	NA	253503
327045	NA	253503
327046	NA	253503
327048	NA	259414
327049	NA	259414
327050	NA	259414
327051	NA	259414
327053	NA	272691
327054	NA	272691
327055	NA	272691
327056	NA	272691
327058	NA	259360
327059	NA	259360
327060	NA	259360
327061	NA	259360
327063	NA	273257
327064	NA	273257
327065	NA	273257
327066	NA	273257
327068	NA	253610
327069	NA	253610
327070	NA	253610
327071	NA	255860
327073	NA	279272
327074	NA	279272
327075	NA	279272
327076	NA	279272
327372	NA	253610
327794	NA	253610
327795	NA	253610
327796	NA	259414
327797	NA	259414
327802	NA	272691
327803	NA	272691
327804	NA	279272
328149	NA	291548
328150	NA	291548
328151	NA	291548

Chart 2: Controller Transformers, continued		
Kit/Spec Number	Part Number	
	Potential Transformer	Current Transformer
328152	NA	291548
328158	NA	354689
328159	NA	354689
328160	NA	354689
328161	NA	354689
328203	NA	291547
328204	NA	291547
328205	NA	291547
328206	NA	291547
328207	NA	354688
328208	NA	354688
328209	NA	354688
328210	NA	354688
328211	NA	354689
328212	NA	354689
328213	NA	354689
328214	NA	354689
343481	NA	273258
343482	NA	273258
343483	NA	273258
343484	NA	273258
343485	NA	343297
343486	NA	343297
343487	NA	343297
343488	NA	343297
343489	NA	279273
343490	NA	279273
343491	NA	279273
343492	NA	343297
343493	NA	273258
343542	NA	291547
343543	NA	291547
343544	NA	291547
343545	NA	291547
343546	NA	354689
343547	NA	354689
343548	NA	354689
343549	NA	354689
343550	NA	354688
343551	NA	354688
343552	NA	354688
343553	NA	354688
343554	NA	291547
343555	NA	354689
343556	NA	354688
343597	NA	343297
343598	NA	279273
343699	NA	291548
343700	NA	291548
343701	NA	291548
343702	NA	291548
343703	NA	291548
343708	NA	291546
343709	NA	291546
343710	NA	291546
343711	NA	291546
343712	NA	291546
343717	NA	354689
343718	NA	354689
343719	NA	354689
343720	NA	354689

Chart 2: Controller Transformers, continued		
Kit/Spec Number	Part Number	
	Potential Transformer	Current Transformer
343721	NA	354689
347790	NA	259414
347791	NA	259414
347792	NA	253610
347793	NA	259414
347794	NA	253610
347795	NA	253610
347796	NA	272691
347797	NA	259414
347798	NA	272691
347799	NA	279272
347800	NA	272691
347801	NA	279272
347802	NA	272691
347803	NA	272691
347804	NA	279272
347805	NA	279272
347891	NA	259360
347892	NA	259414
347893	NA	255860
347894	NA	259359
347897	NA	259359
347898	NA	253503
347899	NA	273257
347900	NA	253610
347903	NA	259360
347904	NA	259414
347906	NA	272691
347908	NA	272691
347910	NA	279272
347911	NA	279272
347913	NA	272691
347917	NA	279273
347918	NA	272690
347919	NA	291548
347921	NA	354689
347923	NA	291546
347932	NA	253610
347949	NA	291547
347950	NA	354688
347951	NA	354689
347972	NA	259414
352416	NA	255860
352417	NA	255860
352418	NA	255860
352419	NA	255860
352420	NA	253503
352421	NA	253503
352422	NA	255040
352423	NA	253503
352424	NA	273257
352425	NA	273257
352426	NA	273257
352427	NA	273527
352428	NA	259360
352429	NA	259360
352430	NA	259360
352431	NA	259360
352553	NA	253274
352554	NA	253274
352555	NA	253274

Chart 2: Controller Transformers, continued		
Kit/Spec Number	Part Number	
	Potential Transformer	Current Transformer
352556	NA	253274
352557	NA	253274
352590	NA	252590
352591	NA	253274
352592	NA	253274
352593	NA	253274
352594	NA	253274
352595	NA	253274
352596	NA	259360
352597	NA	259360
352598	NA	259360
352599	NA	259360
352600	NA	259360
352601	NA	259414
352602	NA	259414
352603	NA	259414
352604	NA	259414
352605	NA	259414
352611	NA	259793
352612	NA	259793
352613	NA	259793
352614	NA	259793
352615	NA	259359
352616	NA	259792
352617	NA	259792
352618	NA	259792
352619	NA	259414
352621	NA	259359
352622	NA	259359
352623	NA	259359
352624	NA	259359
354109	NA	272691
354110	NA	273258
354112	NA	279273
354120	NA	272691
354121	NA	273258
354123	NA	279273
354124	NA	272691
354125	NA	273258
354127	NA	279273
354128	NA	272691
354129	NA	273258
354131	NA	279273
354221	NA	343297
354222	NA	343297
354223	NA	343297
354224	NA	343297
354225	NA	273258
354226	NA	279273
354227	NA	343297
354237	NA	272691
360322	NA	253502
360323	NA	253502
360324	NA	253502
360325	NA	253502
360326	NA	253502
360327	NA	253502
360328	NA	253502
360329	NA	253502
360331	NA	253502
360332	NA	253502

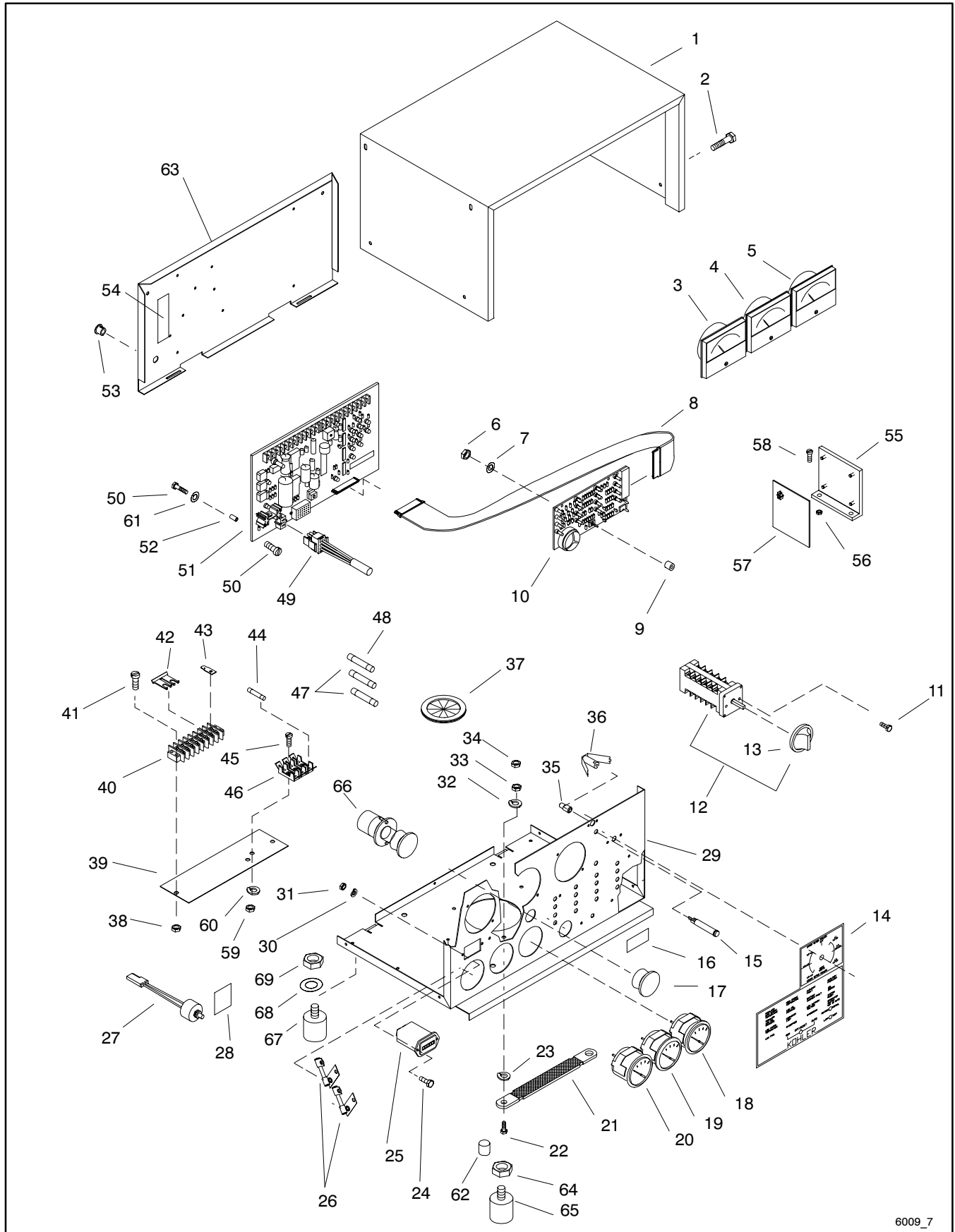
Chart 2: Controller Transformers, continued		
Kit/Spec Number	Part Number	
	Potential Transformer	Current Transformer
360827	NA	255860
360828	NA	253503
360829	NA	273257
360830	NA	259360
361407	276578	297675
361408	276578	297675
361409	276578	297675
361410	276578	297675
361411	276578	297675
361412	NA	NA
361413	276578	297676
361414	276578	297676
361415	276578	297676
361416	276578	297676
361417	276578	297676
361418	258990	291548
361419	258990	291548
361420	258990	291548
361421	258990	291548
361422	258990	291548
361423	258990	297675
361424	258990	297675
361425	258990	297675
361426	258990	297675
361427	258990	297675
361428	X-6121-55	GM11914
361429	X-6121-55	GM11914
361430	X-6121-55	GM11914
361431	X-6121-55	GM11914
361432	X-6121-55	GM11914
361433	X-6121-55	GM11915
361434	X-6121-55	GM11915
361435	X-6121-55	GM11915
361436	X-6121-55	GM11915
361437	X-6121-55	GM11915
361861	NA	291548
361862	NA	291548
361863	NA	291548
361864	NA	291548
361865	NA	291548
361881	258990	354686
361882	258990	354686
361883	258990	354686
361884	258990	354686
361885	258990	354686
361903	276578	291546
361904	276578	291546
361905	276578	291546
364502-MA1	NA	259359
364502-MA10	NA	259792
364502-MA11	NA	259359
364502-MA12	NA	259359
364502-MA15	NA	259414
364502-MA16	NA	259414
364502-MA17	NA	273258
364502-MA18	NA	273258
364502-MA2	NA	259359
364502-MA21	NA	279273
364502-MA22	NA	279273
364502-MA25	NA	255860
364502-MA27	NA	259359

Chart 2: Controller Transformers, continued		
Kit/Spec Number	Part Number	
	Potential Transformer	Current Transformer
364502-MA29	NA	259360
364502-MA3	NA	259793
364502-MA31	NA	259792
364502-MA33	NA	259414
364502-MA35	NA	253502
364502-MA4	NA	259793
364502-MA43	NA	253503
364502-MA44	NA	259360
364502-MA45	NA	273257
364502-MA5	NA	259360
364502-MA6	NA	259360
364502-MA7	NA	259414
364502-MA8	NA	259414
364502-MA9	NA	259792
364504-MA1	NA	259359
364504-MA10	NA	259359
364504-MA11	NA	259360
364504-MA12	NA	259792
364504-MA13	NA	259414
364504-MA14	NA	253502
364504-MA19	NA	253503
364504-MA2	NA	259793
364504-MA20	NA	259360
364504-MA21	NA	273257
364504-MA22	NA	253503
364504-MA3	NA	259360
364504-MA4	NA	259414
364504-MA5	NA	259792
364504-MA6	NA	259359
364504-MA8	NA	259414
364504-MA9	NA	255860
364506-MA1	NA	259359
364506-MA10	NA	279273
364506-MA12	NA	255860
364506-MA13	NA	259359
364506-MA14	NA	259360
364506-MA15	NA	259792
364506-MA16	NA	253502
364506-MA2	NA	259359
364506-MA24	NA	253274
364506-MA25	NA	259414
364506-MA26	NA	253274
364506-MA27	NA	255860
364506-MA28	NA	272691
364506-MA3	NA	259360
364506-MA4	NA	259414
364506-MA5	NA	259359
364506-MA7	NA	259414
364506-MA8	NA	273258
365051	NA	297675
365052	NA	297675
365053	NA	297675
365054	NA	297675
365055	NA	297675
365071	276578	291547
365072	276578	291547
365073	276578	291547
365074	276578	291547
365075	276578	291547
365091	258990	291546
365092	258990	291546

Chart 2: Controller Transformers, continued		
Kit/Spec Number	Part Number	
	Potential Transformer	Current Transformer
365093	258990	291546
365094	258990	291546
365095	258990	291546
365131	276578	291548
365132	276578	291548
365133	276578	291548
365134	276578	291548
365135	276578	291548
365151	258990	291547
365152	258990	291547
365153	258990	291547
365154	258990	291547
365155	258990	291547
365171	276578	291548
365172	276578	291548
365173	276578	291548
365174	276578	291548
365175	276578	291548
365566	276578	291546
365567	276578	291546
GM10234-MA1	NA	253502
GM10235-MA1	NA	253502
GM10236-MA1	NA	253502
GM10238-MA1	NA	253502
GM10239-MA1	NA	253502
GM10240-MA1	NA	253502
GM10241-MA1	NA	253502
GM10242-MA1	NA	253503
GM10243-MA1	NA	253503
GM10244-MA1	NA	253503
GM10246-MA1	NA	253503
GM10247-MA1	NA	273257
GM10248-MA1	NA	273257
GM10249-MA1	NA	273257
GM10251-MA1	NA	273257
GM10252-MA1	NA	253503
GM10253-MA1	NA	253503
GM10254-MA1	NA	253503
GM10255-MA1	NA	273257
GM10256-MA1	NA	273257
GM10257-MA1	NA	273257
GM11412-MA1	NA	NA
GM11414-MA1	276578	291548
GM11414-MA13	276578	297975
GM11414-MA14	276578	297975
GM11414-MA15	276578	297975
GM11414-MA19	258990	291548
GM11414-MA2	276578	291548
GM11414-MA20	258990	291548

Chart 2: Controller Transformers, continued		
Kit/Spec Number	Part Number	
	Potential Transformer	Current Transformer
GM11414-MA21	258990	291548
GM11414-MA25	258990	291547
GM11414-MA26	258990	291547
GM11414-MA27	258990	291547
GM11414-MA3	276578	291548
GM11414-MA31	NA	297675
GM11414-MA32	NA	297675
GM11414-MA33	NA	297675
GM11414-MA37	276578	291547
GM11414-MA38	276578	291547
GM11414-MA39	276578	291547
GM11414-MA43	258990	291546
GM11414-MA44	258990	291546
GM11414-MA45	258990	291546
GM11414-MA52	NA	GM16266
GM11414-MA53	276578	297675
GM11414-MA7	276578	291548
GM11414-MA8	276578	291548
GM11414-MA9	276578	291548
GM12188-MA1	NA	253502
GM12189-MA1	NA	253502
GM12190-MA1	NA	253502
GM12192-MA1	NA	253502
GM12193-MA1	NA	253502
GM12194-MA1	NA	253502
GM12195-MA1	NA	253502
GM16993-MA1	258990	GM16263
GM16993-MA10	258990	GM16267
GM16993-MA12	NA	GM16266
GM16993-MA13	276578	GM16263
GM16993-MA14	258990	GM16260
GM16993-MA2	276578	GM16265
GM16993-MA3	258990	GM16265
GM16993-MA4	276578	GM16266
GM16993-MA5	276578	GM16266
GM16993-MA6	258990	GM16266
GM16993-MA7	NA	GM16267
GM16993-MA8	276578	GM16267
GM16993-MA9	276578	GM16268
GM17126-MA1	NA	GM16262
GM17126-MA2	NA	GM16256
GM17126-MA3	NA	GM16264
GM17126-MA4	NA	GM16256
GM17126-MA5	NA	GM16262
GM17126-MA6	NA	GM16264
GM17127-MA1	NA	GM16265
GM17127-MA2	276578	GM16260
GM17127-MA3	258990	GM16269
GM17127-MA4	NA	GM16266
GM17127-MA5	276578	GM16263
GM17127-MA6	258990	GM16260
GM17688-MA1	X-6121-55	GM17250
GM17688-MA2	X-6121-55	GM17249
GM19620-MA1	NA	259792

Section 7 Decision-Maker 3+ Controller Assembly



6009_7

Section 7 Decision-Maker 3+ Controller Assembly

Item	Qty.	Description	Part Number
1	1	Cover, controller (standard meterbox)	325003
1	1	Cover, controller (oversized meterbox)	273838
2	10	Screw, #10-24 x 0.50, crimpbite	X-6216-1
3	1	Meter, frequency	282818
4	1	Voltmeter, AC, 0-300 scale	282816
4	1	Voltmeter, AC, 0-900 scale	282817
4	1	Voltmeter, AC, 0-5000 scale	354245
5	1	Ammeter, AC (See Section 8)	—
6	4	Nut, hex, 8-32, zinc plated	X-72-4
7	3	Washer, lock, #8 internal tooth	X-22-7
7	1	Washer, lock, #8 external tooth	X-22-20
8	1	Cable assembly*	292836
8	1	Cable assembly	336428
9	4	Spacer	X-712-9
10	1	PCB assy., indicator (6-light)*	B-292381
10	1	PCB assy., indicator (7-light)	A-336430
10	1	PCB assy., indicator (16-light)*	B-292357
10	1	PCB assy., indicator (16-light)	A-336432
11	2	Screw, thread-forming	X-67-127
12	1	Selector switch	292373
12	1	Selector switch (600 V only)	292374
13	1	Knob, selector switch	296291
14	1	Decal	354385
14	1	Decal (600 V only)	354386
15	2	Lamp	291740
16	1	Decal, emergency stop	292467
17	1	Plug, button	X-301-29
18	1	Gauge, DC voltmeter (12 V)	253329
18	1	Gauge, DC voltmeter (24 V)	255224
19	1	Gauge, water temp. (100-250° scale)	282898
19	1	Gauge, water temp. (100-280° scale)	226716
19	1	Gauge, engine temperature	364450
20	1	Gauge, oil pressure (0-100 psi scale)	282897
20	1	Gauge, oil pressure (0-150 psi scale)	328072
20	1	Gauge, oil pressure (0-200 psi scale)	365623
21	1	Strap, ground	X-6046-2
22	1	Screw, PHM	X-50-70
23	1	Washer, #10 internal/external tooth	X-22-50
24	2	Screw, PHM, 6-32 x 0.50	X-49-39
25	1	Hourmeter	238736
26	2	Adapter, oil and water (24 V only)	268297
27	1	Potentiometer assembly, voltage adj.	A-255041
28	1	Decal, voltage adjustment	292361
29	1	Box, controller (standard meterbox)	292375
29	1	Box, controller (oversized meterbox)	273813
30	2	Washer, lock, #6 internal star	X-22-6
31	2	Nut, hex, 6-32 zinc	X-71-2
32	1	Washer, #10 internal/external tooth	X-22-50

Item	Qty.	Description	Part Number
33	1	Nut, hex	X-6234-6
34	1	Nut, hex	X-6234-6
35	†	Lamp, 12 V	255126
35	†	Lamp, 24 V	283420
36	†	Socket, lamp	284990
37	1	Grommet	X-284-31
38	2	Nut, #8-32	#
39	1	Marker, strip	292823
40	1	Block, terminal	246116
41	2	Screw, RHM	X-51-53
42	1	Jumper, terminal block	X-6048-2
43	1	Terminal	238898
44	3	Fuse, 1.5 A, 250 V	291207
45	2	Screw, PHM, 6-32 x .375	X-49-2
46	1	Holder, fuse	292821
47	2	Fuse, 3 A	243273
48	1	Fuse, 15 A	283645
49	1	Connector plug, 6-position	241617
50	18	Screw, PHM, 6-32 x .50	X-49-25
51	1	PCB assembly, main controller*	G-292806
51	1	PCB assembly, main controller	A-336415
52	9	Spacer	287948
53	1	Plug, button	X-301-23
54	1	Decal	292347
55	1	Bracket, PCB mounting	343480
56	2	Nut, #8-32	#
57	1	PCB assembly, DDEC pulse	B-354647
58	2	Screw, PHM, 8-32 x .375	X-51-12
59	2	Nut, #6-32	#
60	2	Washer, lock #6 internal star	X-22-6
61	9	Washer, #6	#
62	2	Plug, cap, 1/8-inch	X-519-1
63	1	Plate, hinge (standard meterbox)	292908
63	1	Plate, hinge (oversized meterbox)	273785
64	4	Nut, 5/16-18	#
65	4	Bumper	292834
66	1	Switch, pushbutton	292364
67	4	Bumper (oversized meterbox)	255443
68	8	Washer, plain	X-25-73
69	8	Nut, 1/4-20	#

* Use this part number on generator sets with serial numbers before 363369.

† Standard meterbox uses a quantity of 2.
Oversized meterbox uses a quantity of 3.

Section 8 Ammeters

This chart lists controller ammeter part numbers. The chart is sorted by Controller Assembly.

Chart 3: Ammeters	
Part Number	
Controller Assembly	Item 5, Ammeter
364451-1	282800
364451-10	282801
364451-100	282807
364451-101	282807
364451-102	282808
364451-103	282808
364451-104	282808
364451-105	282808
364451-106	282808
364451-107	282808
364451-108	282808
364451-109	282808
364451-110	282808
364451-111	282808
364451-112	282808
364451-113	282808
364451-114	282808
364451-115	282808
364451-116	282808
364451-117	282808
364451-118	282808
364451-119	282809
364451-120	282809
364451-121	282809
364451-122	282809
364451-123	282809
364451-124	282809
364451-125	282809
364451-126	282809
364451-127	282809
364451-128	282809
364451-129	282809
364451-130	282809
364451-131	282809
364451-133	282809
364451-134	343298
364451-135	343298
364451-136	343298
364451-137	343298
364451-138	343298
364451-139	282810
364451-140	282810
364451-141	282810
364451-142	282810
364451-143	282810
364451-144	282810
364451-145	282810
364451-147	282810
364451-148	282810
364451-149	282810
364451-150	282810
364451-151	282810
364451-152	282811
364451-153	282811
364451-154	282811

Chart 3: Ammeters, continued	
Part Number	
Controller Assembly	Item 5, Ammeter
364451-155	282811
364451-156	282811
364451-157	282811
364451-158	282811
364451-159	282811
364451-160	282811
364451-161	282811
364451-162	282811
364451-163	282812
364451-164	282812
364451-165	282812
364451-166	282812
364451-167	282812
364451-168	282812
364451-169	282812
364451-170	282812
364451-171	282813
364451-172	282813
364451-173	282813
364451-174	282813
364451-175	282813
364451-176	282813
364451-177	282813
364451-178	282813
364451-179	273852
364451-18	282812
364451-180	282804
364451-182	273852
364451-183	273852
364451-184	273852
364451-185	273852
364451-186	273852
364451-187	273852
364451-188	273852
364451-189	273852
364451-19	282812
364451-190	347834
364451-191	347834
364451-192	347834
364451-193	347834
364451-194	282811
364451-195	282811
364451-196	282801
364451-198	282802
364451-2	282800
364451-20	282813
364451-200	282803
364451-200	282803
364451-201	282803
364451-202	282804
364451-204	282801
364451-204	282801
364451-206	282800
364451-206	282800
364451-208	282805

Chart 3: Ammeters, continued	
Part Number	
Controller Assembly	Item 5, Ammeter
364451-21	282813
364451-210	282806
364451-22	273852
364451-23	273852
364451-24	282809
364451-25	282809
364451-26	282808
364451-27	282808
364451-28	282812
364451-29	282812
364451-3	282800
364451-30	326775
364451-31	282800
364451-32	282800
364451-33	282800
364451-34	282800
364451-35	282800
364451-36	282800
364451-37	282800
364451-38	282800
364451-39	282800
364451-4	282800
364451-40	352565
364451-41	352565
364451-42	352565
364451-43	352565
364451-44	282801
364451-45	282801
364451-46	282801
364451-47	282801
364451-48	282801
364451-49	282801
364451-5	282801
364451-50	282801
364451-51	282801
364451-52	282802
364451-53	282802
364451-54	282802
364451-55	282802
364451-56	282802
364451-57	282802
364451-58	282802
364451-59	282802
364451-6	282801
364451-60	282803
364451-61	282803
364451-62	282803
364451-63	282803
364451-64	282804
364451-65	282804
364451-66	282804
364451-67	282804
364451-68	282804
364451-69	282804
364451-7	282802
364451-70	282804
364451-71	282804
364451-72	282805
364451-73	282805
364451-74	282805
364451-75	282805

Chart 3: Ammeters, continued	
Part Number	
Controller Assembly	Item 5, Ammeter
364451-76	282805
364451-77	282805
364451-78	282805
364451-79	282805
364451-8	282802
364451-80	282805
364451-81	282806
364451-82	282806
364451-83	282806
364451-84	282806
364451-85	282806
364451-86	282806
364451-87	282806
364451-88	282806
364451-89	282806
364451-9	282801
364451-90	282806
364451-91	282806
364451-92	282806
364451-93	282807
364451-94	282807
364451-95	282807
364451-96	282807
364451-97	282807
364451-98	282807
364451-99	282807
364454-1	282934
364454-2	282934
364454-22	295337
364454-23	295338
364454-24	253341
364454-25	282950
364454-26	295337
364454-27	282934
364454-28	282954
364454-29	282955
364454-3	295337
364454-4	295338
364454-5	295337
A-253039	282805
A-273538	282806
A-273538	282806
A-273591	282806
A-273597	282806
A-273598	282806
A-273784	282801
A-273786	282802
A-273788	282804
A-273790	282805
A-273791	282804
A-273796	282806
A-273807	282807
A-273808	282808
A-273809	282806
A-273811	282800
A-273812	282801
A-273814	282802
A-273815	282801
A-273816	282804
A-273817	282802
A-273818	282805

Chart 3: Ammeters, continued	
Part Number	
Controller Assembly	Item 5, Ammeter
A-273819	282804
A-273821	282805
A-273835	282807
A-273836	282808
A-273837	282806
A-273848	273852
A-273849	273852
A-274916	282809
A-274917	282810
A-274918	282811
A-274919	282812
A-274921	282809
A-274922	282810
A-274923	282811
A-274924	282812
A-274925	282813
A-292362	282808
A-292363	282806
A-292367	282809
A-292386	282800
A-292388	282801
A-292389	282800
A-292390	282802
A-292391	282801
A-292392	282804
A-292393	282802
A-292394	282805
A-292395	282804
A-292397	282805
A-292398	282806
A-292452	282806
A-292453	282808
A-292454	282806
A-292455	282809
A-292456	282808
A-292457	282810
A-292458	282811
A-292459	282812
A-292460	282813
A-292461	282810
A-292462	282809
A-292463	282807
A-292464	282808
A-292465	282806
A-292688	282805
A-326770	282802
A-326776	326775
A-327373	282807
A-328073	273852
A-328074	282813
A-328075	273852
A-328076	282813
A-328194	282807
A-328917	282800
A-328918	282800
A-328919	282801
A-328920	282802
A-328921	282801
A-328922	282804
A-328923	282802
A-328924	282805

Chart 3: Ammeters, continued	
Part Number	
Controller Assembly	Item 5, Ammeter
A-328925	282804
A-328926	282805
A-328927	282806
A-328928	282806
A-328929	282808
A-328930	282806
A-328931	282809
A-328932	282808
A-328933	282810
A-328934	282809
A-328935	282811
A-328936	282810
A-328937	282812
A-328938	282811
A-328939	282813
A-328940	282810
A-328941	282809
A-328942	282807
A-328943	282808
A-328944	282806
A-328945	273852
A-328946	282806
A-328947	282812
A-328948	282813
A-328949	273852
A-328950	282813
A-328951	282800
A-328952	282800
A-328953	282801
A-328954	282802
A-328955	282801
A-328956	282804
A-328957	282802
A-328958	282804
A-328959	282805
A-328960	282804
A-328961	282805
A-328962	282806
A-328963	282806
A-328964	282808
A-328965	282806
A-328966	282809
A-328967	282808
A-328968	282810
A-328969	282809
A-328970	282811
A-328971	282810
A-328972	282812
A-328973	282811
A-328974	282813
A-328975	282810
A-328976	282809
A-328977	282807
A-328978	282808
A-328979	282806
A-328980	273852
A-328981	282806
A-328982	282812
A-328983	282813
A-328984	273852
A-328985	282813

Chart 3: Ammeters, continued	
Part Number	
Controller Assembly	Item 5, Ammeter
A-328986	282807
A-328987	282808
A-328988	282800
A-328989	282800
A-328990	282801
A-328991	282802
A-328992	282801
A-328993	282804
A-328994	282802
A-328995	282805
A-328996	282804
A-328997	282805
A-328998	282805
A-328999	282806
A-333194	282805
A-336598	282934
A-336598	282934
A-336615	282934
A-336845	282802
A-343494	282809
A-343495	282809
A-343496	282809
A-343497	282809
A-343498	343298
A-343499	343298
A-343500	343298
A-343501	343298
A-343502	282808
A-343503	282808
A-343504	282808
A-343505	282808
A-343557	282810
A-343558	282810
A-343559	282810
A-343560	252810
A-343565	282809
A-343566	282809
A-343567	282809
A-343568	282809
A-347001	282806
A-347002	282808
A-347003	282806
A-347004	282809
A-347005	282808
A-347006	282810
A-347007	282809
A-347008	282811
A-347009	282810
A-347010	282812
A-347011	282811
A-347012	282813
A-347013	282810
A-347014	282809
A-347015	282807
A-347016	282808
A-347017	282806
A-347018	273852
A-347019	282806
A-347020	282812
A-347021	282813
A-347022	273852

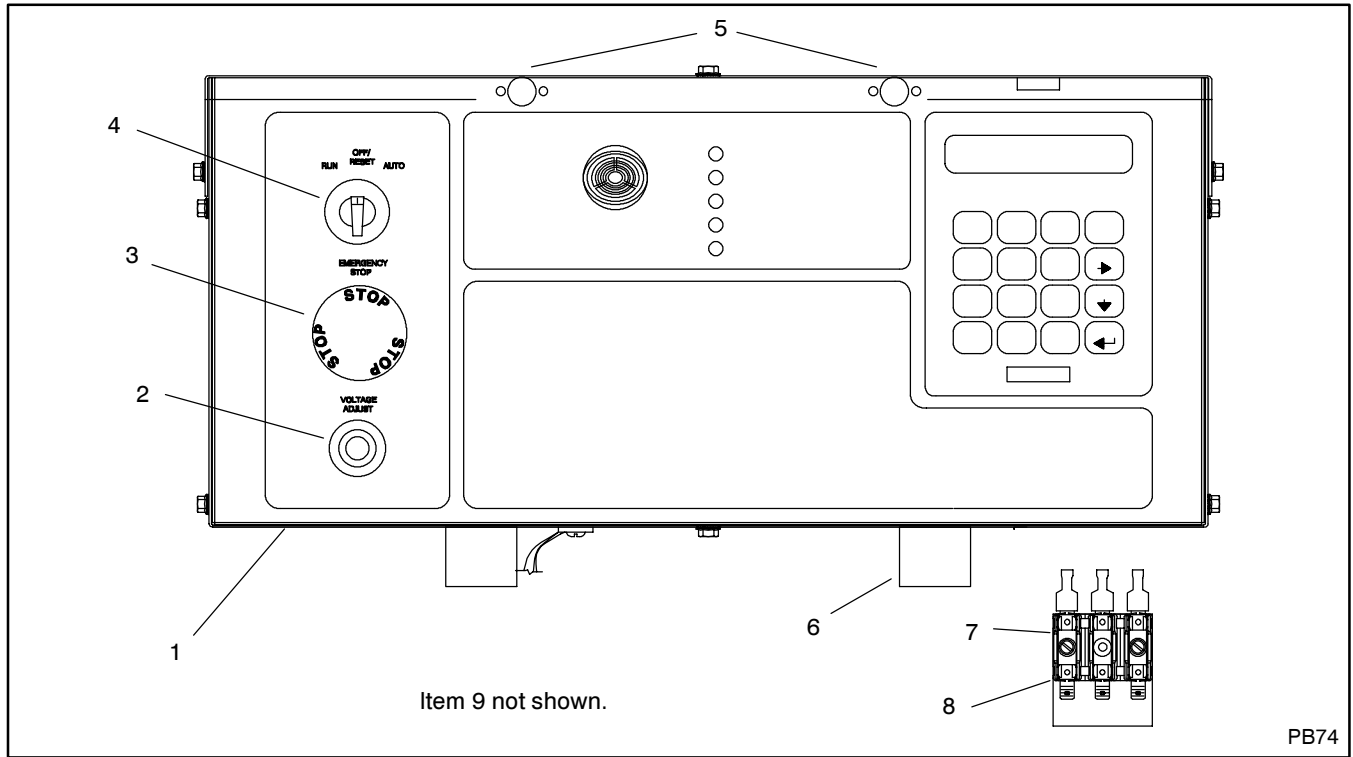
Chart 3: Ammeters, continued	
Part Number	
Controller Assembly	Item 5, Ammeter
A-347023	282813
A-347024	282800
A-347025	282800
A-347026	282801
A-347027	282802
A-347028	282801
A-347029	282804
A-347030	282802
A-347031	282805
A-347032	282804
A-347033	282805
A-347034	282806
A-347035	282806
A-347036	282808
A-347037	282806
A-347038	282809
A-347039	282808
A-347040	282810
A-347041	282809
A-347042	282811
A-347043	282810
A-347044	282812
A-347045	282811
A-347046	282813
A-347047	282810
A-347048	282809
A-347049	282808
A-347050	282808
A-347051	282806
A-347052	273852
A-347053	282806
A-347054	282812
A-347055	282813
A-347056	273852
A-347057	282813
A-347059	282805
A-347060	282806
A-347062	282807
A-347063	282806
A-347064	282805
A-347065	282807
A-347066	282806
A-347067	282805
A-347068	282807
A-347069	282806
A-347073	282802
A-347074	282804
A-347110	282808
A-347111	282806
A-347112	282808
A-347113	282806
A-347114	282808
A-347115	282806
A-347116	282808
A-347117	282806
A-347269	282805
A-347285	282809
A-347293	282801
A-347294	282800
A-347295	282801
A-347296	282802

Chart 3: Ammeters, continued	
Part Number	
Controller Assembly	Item 5, Ammeter
A-347322	282805
A-347356	282800
A-347394	282801
A-347450	282801
A-347508	273852
A-347509	347834
A-347510	273852
A-347511	282808
A-347516	273852
A-347517	347834
A-347518	273852
A-347519	282808
A-347524	273852
A-347525	347834
A-347526	273852
A-347527	282808
A-347532	273852
A-347533	347834
A-347534	273852
A-347535	282808
A-347729	282807
A-347830	282804
A-347835	282809
A-347836	282809
A-347837	282809
A-347838	282809
A-352559	352565
A-352560	352535
A-352561	352565
A-352562	352565
A-352626	352565
A-352627	352565
A-352628	352565
A-352629	352565
A-352630	282801
A-352631	282802
A-352632	282802
A-352633	282802
A-352634	282800
A-352635	282800
A-352636	282800
A-352637	282801
A-352638	282801
A-352639	282801
A-352640	282802
A-352641	282802
A-352642	282802
A-354228	343298
A-354229	343298
A-354230	343298
A-354231	343298
A-354253	282807
A-354254	282807
A-354255	282807
A-354256	282807
A-354472	282804
A-354473	282804
A-354474	282805
A-354475	282806
A-354482	282800
A-360311	282803

Chart 3: Ammeters, continued	
Part Number	
Controller Assembly	Item 5, Ammeter
A-360312	282803
A-360313	282803
A-360314	282803
A-360315	282803
A-360316	282803
A-360317	282803
A-360318	282803
A-361061	282812
A-361359	282808
A-361360	282808
A-361361	282808
A-361362	282808
A-361438	273852
A-361439	273852
A-361440	273852
A-361441	273852
A-361443	347834
A-361444	347834
A-361445	347834
A-361446	347834
A-361447	282813
A-361448	282813
A-361449	282813
A-361450	282813
A-361451	273852
A-361452	273852
A-361453	273852
A-361454	273852
A-361455	282807
A-361456	282807
A-361457	282807
A-361458	282807
A-361871	282811
A-361872	282811
A-361873	282811
A-361874	282811
A-361891	282810
A-361892	282810
A-361893	282810
A-361894	282810
A-365061	282812
A-365062	282812
A-365063	282812
A-365064	282812
A-365101	282811
A-365102	282811
A-365103	282811
A-365104	282811
A-365121	282813
A-365122	282813
A-365123	282813
A-365124	282813
A-365161	282812
A-365162	282812
A-365163	282812
A-365164	282812
A-365630	282811
A-365631	282811
A-365873	282811
B-272606	282807
B-292819	282800

Chart 3: Ammeters, continued	
Part Number	
Controller Assembly	Item 5, Ammeter
B-292826	282800
B-292827	282801
B-292829	282802
B-292830	282801
B-292831	282804
B-292832	282805
B-292848	282806
B-292850	282808
B-292851	282809
B-292852	282810
B-292853	282811
B-292854	282812
B-292855	282813
B-292930	282802
B-292931	282804

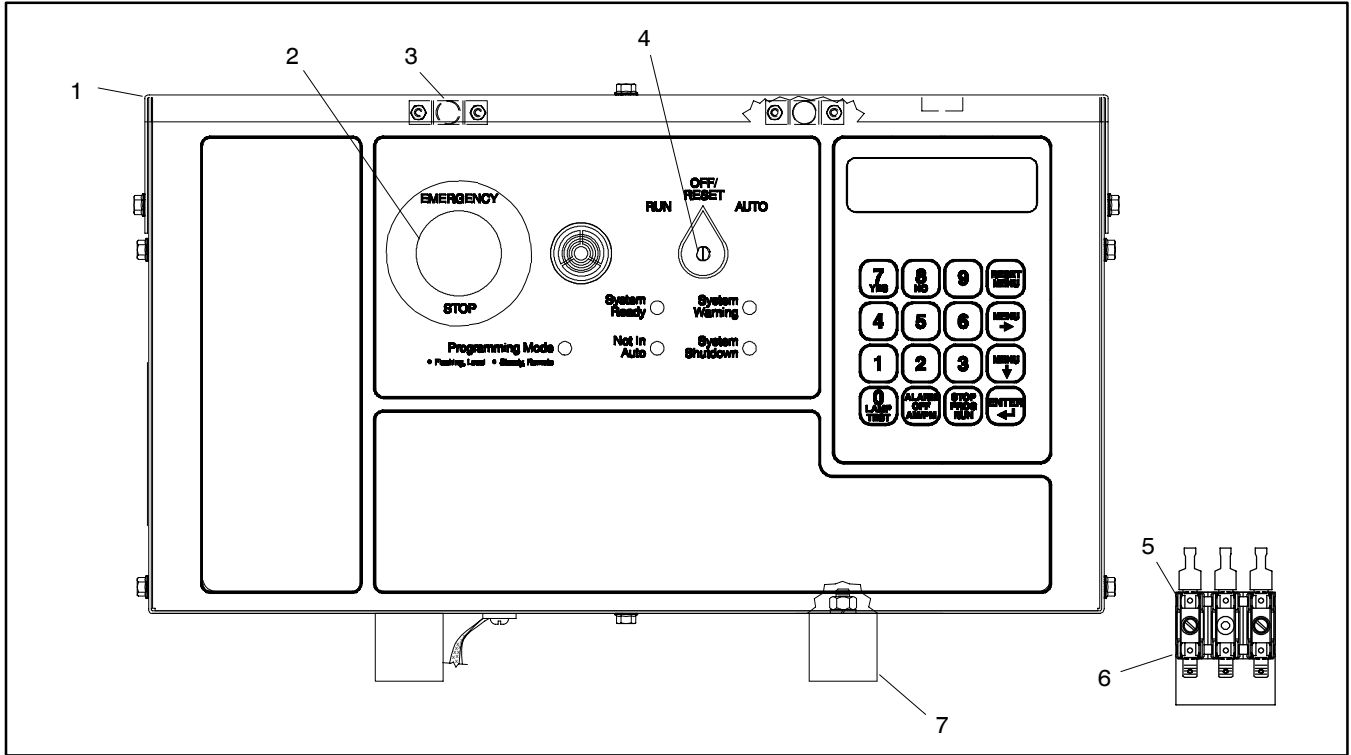
Section 9 Decision-Maker™ 340 Controller Assembly



Controller Part Numbers

Item	Description	Part Number				
		20-180 kW, 12V	350-2000 kW, 24V	20-300 kW, 24V	230-300 kW, 24V	350-2000 kW, 24V
1	Controller assembly	A-347946	A-347947	A-354146	A-343506	A-343569
2	Potentiometer, voltage adjustment	A-328774	—	A-328774	A-328774	—
2	Knob, potentiometer	X-6136-39	—	X-6136-39	X-6136-39	—
2	Plug, button	—	X-301-23	—	—	X-301-23
3	Switch, emergency stop	292364	292364	292364	292364	292364
4	Switch, selector	347969	347969	347969	347969	347969
5	Lamp, panel (2)	255126	283420	283420	283420	283420
6	Bumper (4)	292834	292834	292834	292834	292834
7	Holder, fuse	292821	292821	292821	292821	292821
8	Fuse, 1.5 A, 250 V (3)	291207	291207	291207	291207	291207
9	PCB assembly, DDEC pulse	—	—	—	B-354647	B-354647

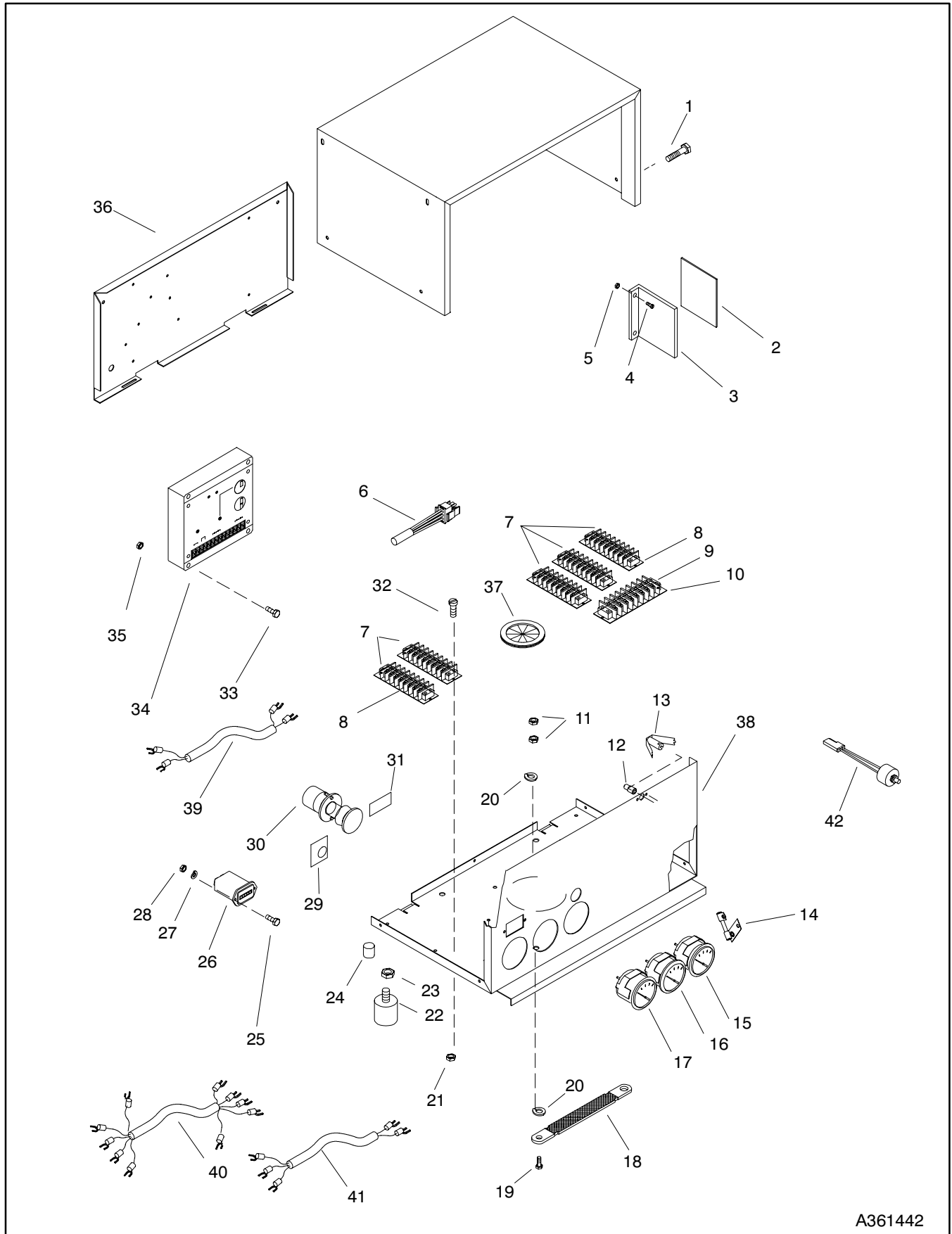
Section 10 Decision-Maker™ 550 Controller Assembly



Controller Part Numbers

Item	Description	Part Number	
		12V	24V
1	Controller assembly	GM10193-1	GM10193-2
2	Switch, emergency stop pushbutton	292364	292634
3	Lamp, panel (2)	225126	283420
4	PCB assembly, display board	A-365485	A-365485
4	Knob, rotary switch	GM10125	GM10125
5	Holder, fuse	292821	292821
6	Fuse, 1.5 A, 250 V (3)	291207	291207
7	Bumper (4)	292834	292834

Section 11 Paralleling Engine Gauge Box Assembly



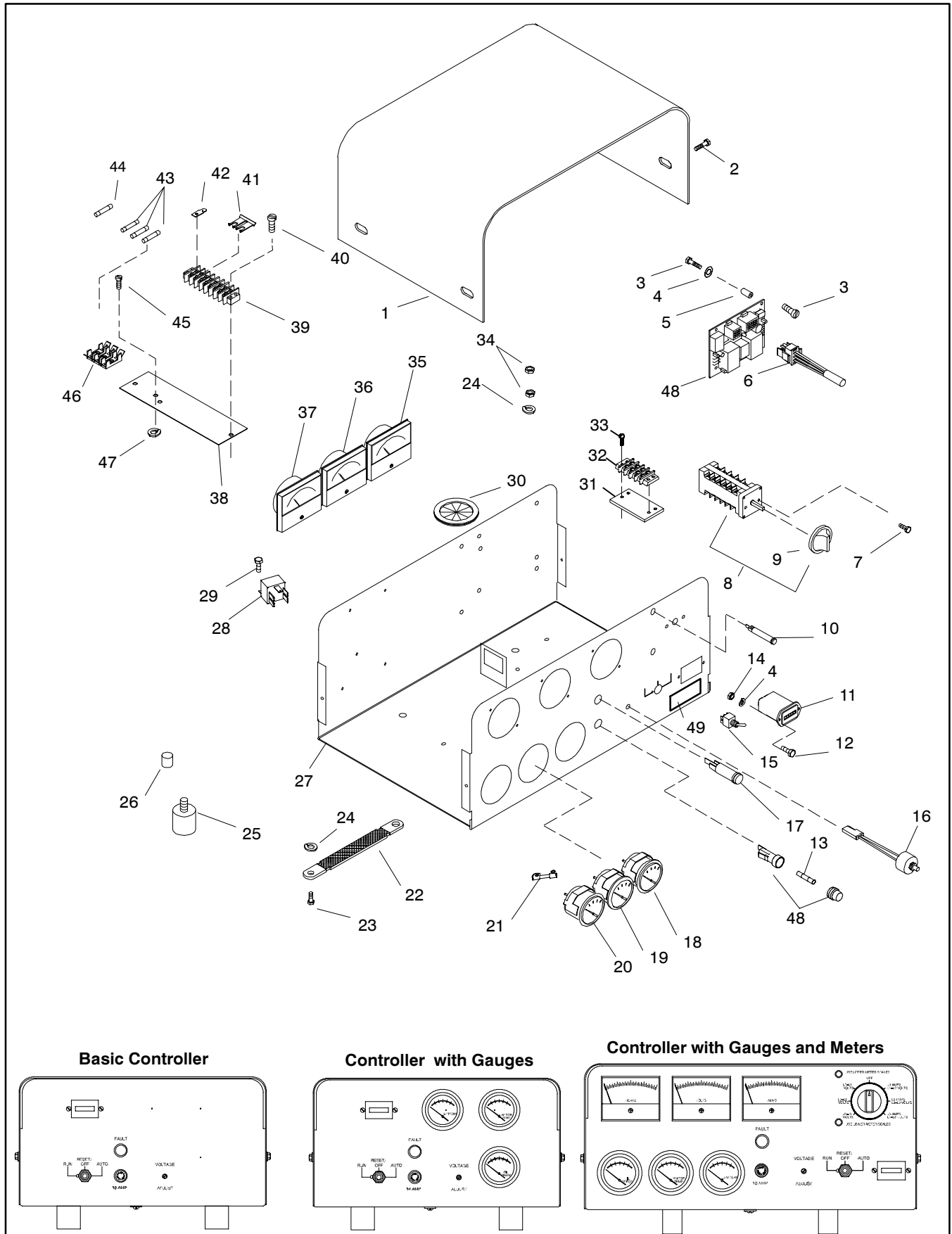
A361442

Section 11 Paralleling Engine Gauge Box Assembly

Item	Qty.	Description	Part Number
1	10	Screw, #10-24 x 0.50 crimplite	X-6216-1
2	1	PCB assembly, DDEC pulse	B-354647
3	1	Bracket, PCB mounting	343480
4	2	Screw, PHM, 8-32 x .375	X-51-12
5	2	Nut, #6-32	#
6	1	Harness, wiring (J1)	273764
7	5	Strip, terminal	283060
8	5	Marker, strip	273781
9	1	Block, terminal	246114
10	1	Marker, strip	354483
11	2	Nut, hex	X-6234-6
12	2	Bulb	283420
13	2	Socket, lamp	284990
14	2	Resistor, 24 V	268297
15	1	Voltmeter	255224
16	1	Gauge, water temperature	282898
17	1	Gauge, oil pressure (0-150 psi scale)	328072
17	1	Gauge, oil pressure (0-100 psi scale)	282897
18	1	Strap, ground	X-6046-2
19	1	Screw, PHM	X-50-70
20	2	Washer, #10, internal/external tooth	X-22-50
21	12	Nut, #8-32	#
22	4	Bumper	292834
23	4	Nut, 5/16-18	#
24	2	Plug, cap, 1/8-inch	X-519-1
25	2	Screw, PHM, 6-32 x 0.50	X-49-39
26	1	Hourmeter	238736
27	2	Washer, lock, #6 internal star	X-22-6
28	2	Nut, hex. 6-32 zinc	X-71-2
29	1	Decal, voltage adjustment	292361
30	1	Switch, pushbutton	292364
31	1	Decal, emergency stop	292467
32	12	Screw, RHM	X-51-53
33	4	Screw, RHM, 1/4-20 x 1/2	X-73-1
34	1	Switch, speed (pickup sensing)	X-6122-1
34	1	Switch, speed (ECM sensing)	X-6122-2
35	4	Nut, 1/4-20	#
36	1	Plate, hinge	263154
37	1	Grommet	X-284-31
38	1	Box, controller	263153
38	1	Box, controller	325004
39	1	Harness, wiring (pickup signal harness)	273984
39	1	Harness, wiring (ECM signal harness)	365011
40	1	Harness, wiring (load share harness)	273983
41	1	Harness, wiring (pickup)	276524
42	1	Potentiometer assembly	A-255041

Common hardware; procure locally.

Section 12 Decision-Maker™ 1 Controller Assembly



Section 12 Decision-Maker™ 1 Controller Assembly

Item	Qty.	Description	Part Number
1	1	Cover, controller (controller with gauges and meters)	336606
1	1	Cover, controller (basic and controller with gauges)	336601
2	4	Screw, Phillips hex crimpite	X-6216-1
3	10	Screw, slotted pan head machine	X-49-25
4	9	Washer, lock, .146 ID x .285 in. OD	X-22-6
5	5	Spacer	287948
6	1	Wiring harness (controller with gauges and meters)	336637
6	1	Wiring harness (basic and controller with gauges)	336642
7	2	Screw, slotted panhead, thread-cutting	X-67-127
8	1	Switch, cam	292374
9	1	Knob, selector	296291
10	2	Lamp, 125 V, .33 W	291740
11	1	Meter, run time, 10000 hour	238736
12	2	Screw, slotted pan head machine	X-49-39
13	1	Fuse, 10 A, 250 V	223316
14	2	Nut, hex machine screw, 6-32	X-71-2
15	1	Switch, toggle, 2 pole	287812
16	1	Potentiometer assembly	A-255041
17	1	Lamp, 14 V, .33 W	269373
18	1	Voltmeter, 10-16 V, DC	253329
19	1	Gauge, engine temperature (100-240 scale)	282898
19	1	Gauge, engine temperature (125-300 scale)	364450
19	1	Gauge, engine temperature (100-280 scale)	226716
20	1	Gauge, oil pressure, 0-100 psi	282897
21	1	Resistor assembly	292352
22	1	Strap, ground	X-6046-2
22	1	Sleeve (not shown)	X-696-5
23	1	Screw, slotted pan head machine	X-50-70
24	2	Washer, lock, .20 ID x .595 in. OD	X-22-50
25	4	Vibromount	292834
26	4	Plug, cap 1/8	X-519-1
27	1	Box, silkscreened (controller with gauges and meters)	336603
27	1	Box, silkscreened (controller with gauges)	336653
27	1	Box, silkscreened (basic controller)	336604
28	1	Relay, 12 VDC, .20 A	259391
29	1	Screw, slotted pan head machine	X-50-13
30	1	Grommet, round	X-284-31
31	1	Strip, marker	336605
32	1	Strip, terminal	292940
33	2	Screw, slotted pan head machine	X-50-3
34	2	Nut, hex machine screw, 10-2	X-6234-6
35	1	Ammeter, AC (See Section 8)	—
36	1	Voltmeter, AC 0-300 scale	282814
36	1	Voltmeter, AC 0-900 scale	282815
37	1	Meter, frequency, 45-65 Hz, AC	295069
38	1	Strip, marker (6.69 in.)	336636
38	1	Strip, marker (4.25 in.)	336606
39	1	Terminal block	246115
40	2	Screw, slotted round head machine	X-51-53
41	1	Jumper, terminal block	X-6048-2
42	4	Terminal, fast-on, male*	238898
43	3	Fuse, 1.5 A, 250 V (controller with gauges and meters)	291207
44	1	Fuse, 15 A, 250 V	283645
45	2	Screw, cross recess pan head machine	X-49-2
46	1	Fuse holder, 4-fuse (controller with gauges and meters)	336635
46	1	Fuse holder, 1-fuse (basic and controller with gauges)	336634
47	1	Fuse holder, .25 x 1.25 in.	238426
48	1	PCB assembly	F-254717
49	1	Decal	X-6276-9
49	1	Decal	347326

* Controller with gauges and meters uses a quantity of 1 terminal.

Notes

Appendix A Abbreviations

The following list contains abbreviations that may appear in this publication.

A, amp	ampere	CG	center of gravity	F	Fahrenheit, female
ABDC	after bottom dead center	CID	cubic inch displacement	fglass.	fiberglass
AC	alternating current	CL	centerline	FHM	flat head machine (screw)
A/D	analog to digital	cm	centimeter	fl. oz.	fluid ounce
ADC	analog to digital converter	cmm	cubic meters per minute	flex.	flexible
adj.	adjust, adjustment	CMOS	complementary metal oxide substrate (semiconductor)	freq.	frequency
ADV	advertising dimensional drawing			FS	full scale
AHWT	anticipatory high water temperature	cogen.	cogeneration	ft.	foot, feet
AISI	American Iron and Steel Institute	Com	communications (port)	ft. lbs.	foot pounds (torque)
ALOP	anticipatory low oil pressure	conn.	connection	ft./min.	feet per minute
alt.	alternator	cont.	continued	g	gram
Al	aluminum	CPVC	chlorinated polyvinyl chloride	ga.	gauge (meters, wire size)
ANSI	American National Standards Institute (formerly American Standards Association, ASA)	crit.	critical	gal.	gallon
		CRT	cathode ray tube	gen.	generator
AO	anticipatory only	CSA	Canadian Standards Association	genset	generator set
API	American Petroleum Institute	CT	current transformer	GFI	ground fault interrupter
approx.	approximate, approximately	Cu	copper	gnd.	ground
AR	as required, as requested	cu. in.	cubic inch	gov.	governor
AS	as supplied, as stated, as suggested	cw.	clockwise	gph	gallons per hour
ASE	American Society of Engineers	CWC	city water-cooled	gpm	gallons per minute
ASME	American Society of Mechanical Engineers	cyl.	cylinder	gr.	grade, gross
assy.	assembly	D/A	digital to analog	gr. wt.	gross weight
ASTM	American Society for Testing Materials	DAC	digital to analog converter	H x W x D	height by width by depth
ATDC	after top dead center	dB	decibel	HC	hex cap
ATS	automatic transfer switch	dBA	decibel (A weighted)	HCHT	high cylinder head temperature
auto.	automatic	DC	direct current	HD	heavy duty
aux.	auxiliary	DCR	direct current resistance	HET	high exhaust temperature
A/V	audio/visual	deg., °	degree	hex	hexagon
avg.	average	dept.	department	Hg	mercury (element)
AVR	automatic voltage regulator	dia.	diameter	HH	hex head
AWG	American Wire Gauge	DI/EO	dual inlet/end outlet	HHC	hex head cap
AWM	appliance wiring material	DIN	Deutsches Institut fur Normung e. V. (also Deutsche Industrie Normenausschuss)	HP	horsepower
bat.	battery	DIP	dual inline package	hr.	hour
BBDC	before bottom dead center	DPDT	double-pole, double-throw	HS	heat shrink
BC	battery charger, battery charging	DPST	double-pole, single-throw	hsg.	housing
BCA	battery charging alternator	DS	disconnect switch	HVAC	heating, ventilation, and air conditioning
BCI	Battery Council International	DVR	digital voltage regulator	HWT	high water temperature
BDC	before dead center	E, emer.	emergency (power source)	Hz	hertz (cycles per second)
BHP	brake horsepower	EDI	electronic data interchange	IC	integrated circuit
blk.	black (paint color), block (engine)	EFR	emergency frequency relay for example (<i>exempli gratia</i>)	ID	inside diameter, identification
blk. htr.	block heater	EG	electronic governor	IEC	International Electrotechnical Commission
BMEP	brake mean effective pressure	EGSA	Electrical Generating Systems Association	IEEE	Institute of Electrical and Electronics Engineers
bps	bits per second	EIA	Electronic Industries Association	IMS	improved motor starting
br.	brass	EI/EO	end inlet/end outlet	in.	inch
BTDC	before top dead center	EMI	electromagnetic interference	in. H ₂ O	inches of water
Btu	British thermal unit	emiss.	emission	in. Hg	inches of mercury
Btu/min.	British thermal units per minute	eng.	engine	in. lbs.	inch pounds
C	Celsius, centigrade	EPA	Environmental Protection Agency	Inc.	incorporated
cal.	calorie	EPS	emergency power system	ind.	industrial
CARB	California Air Resources Board	ER	emergency relay	int.	internal
CB	circuit breaker	ES	engineering special, engineered special	int./ext.	internal/external
cc	cubic centimeter	ESD	electrostatic discharge	I/O	input/output
CCA	cold cranking amps	est.	estimated	IP	iron pipe
ccw.	counterclockwise	E-Stop	emergency stop	ISO	International Organization for Standardization
CEC	Canadian Electrical Code	etc.	et cetera (and so forth)	J	joule
cfh	cubic feet per hour	exh.	exhaust	JIS	Japanese Industry Standard
cfm	cubic feet per minute	ext.	external	k	kilo (1000)
				K	kelvin
				kA	kiloampere
				KB	kilobyte (2 ¹⁰ bytes)
				kg	kilogram

kg/cm ²	kilograms per square centimeter	mW	milliwatt	rnd.	round
kgm	kilogram-meter	μF	microfarad	ROM	read only memory
kg/m ³	kilograms per cubic meter	N, norm.	normal (power source)	rot.	rotate, rotating
kHz	kilohertz	NA	not available, not applicable	rpm	revolutions per minute
kJ	kilojoule	nat. gas	natural gas	RS	right side
km	kilometer	NBS	National Bureau of Standards	RTV	room temperature vulcanization
kOhm, kΩ	kilo-ohm	NC	normally closed	SAE	Society of Automotive Engineers
kPa	kilopascal	NEC	National Electrical Code	scfm	standard cubic feet per minute
kph	kilometers per hour	NEMA	National Electrical Manufacturers Association	SCR	silicon controlled rectifier
kV	kilovolt	NFPA	National Fire Protection Association	s, sec.	second
kVA	kilovolt ampere	Nm	newton meter	SI	<i>Systeme international d'unites</i> , International System of Units
kVAR	kilovolt ampere reactive	NO	normally open	SI/EO	side in/end out
kW	kilowatt	no., nos.	number, numbers	sil.	silencer
kWh	kilowatt-hour	NPS	National Pipe, Straight	SN	serial number
kWm	kilowatt mechanical	NPSC	National Pipe, Straight-coupling	SPDT	single-pole, double-throw
L	liter	NPT	National Standard taper pipe thread per general use	SPST	single-pole, single-throw
LAN	local area network	NPTF	National Pipe, Taper-Fine	spec, specs	specification(s)
L x W x H	length by width by height	NR	not required, normal relay	sq.	square
lb.	pound	ns	nanosecond	sq. cm	square centimeter
lbm/ft ³	pounds mass per cubic feet	O/C	overcrank	sq. in.	square inch
LCB	line circuit breaker	OD	outside diameter	SS	stainless steel
LCD	liquid crystal display	OEM	original equipment manufacturer	std.	standard
ld. shd.	load shed	O/F	overfrequency	stl.	steel
LED	light emitting diode	opt.	option, optional	tach.	tachometer
Lph	liters per hour	O/S	oversize, overspeed	TD	time delay
Lpm	liters per minute	OSHA	Occupational Safety and Health Administration	TDC	top dead center
LOP	low oil pressure	O/V	overvoltage	TDEC	time delay engine cooldown
LP	liquefied petroleum	oz.	ounce	TDEN	time delay emergency to normal
LPG	liquefied petroleum gas	oz.	ounce	TDES	time delay engine start
LS	left side	p., pp.	page, pages	TDNE	time delay normal to emergency
L _{wa}	sound power level, A weighted	PA	packed accessory	TDOE	time delay off to emergency
LWL	low water level	PC	personal computer	TDON	time delay off to normal
LWT	low water temperature	PCB	printed circuit board	temp.	temperature
m	meter, milli (1/1000)	pF	picofarad	term.	terminal
M	mega (10 ⁶ when used with SI units), male	PF	power factor	TIF	telephone influence factor
m ³	cubic meter	ph.	phase	TIR	total indicator reading
m ³ /min.	cubic meters per minute	PHC	Phillips head crimplite (screw)	tol.	tolerance
mA	milliampere	PHH	Phillips hex head (screw)	turbo.	turbocharger
man.	manual	PHM	pan head machine (screw)	typ.	typical (same in multiple locations)
max.	maximum	PLC	programmable logic control	U/F	underfrequency
MB	megabyte (2 ²⁰ bytes)	PMG	permanent magnet generator	UHF	ultrahigh frequency
MCM	one thousand circular mils	pot	potentiometer, potential	UL	Underwriter's Laboratories, Inc.
meggar	megohmmeter	ppm	parts per million	UNC	unified coarse thread (was NC)
MHz	megahertz	PROM	programmable read only memory	UNF	unified fine thread (was NF)
mi.	mile	psi	pounds per square inch	univ.	universal
mil	one one-thousandth of an inch	pt.	pint	U/S	undersize, underspeed
min.	minimum, minute	PTC	positive temperature coefficient	UV	ultraviolet
misc.	miscellaneous	PTO	power takeoff	U/V	undervoltage
MJ	megajoule	PVC	polyvinyl chloride	V	volt
mJ	millijoule	qt.	quart	VAC	volts alternating current
mm	millimeter	qty.	quantity	VAR	voltampere reactive
mOhm, mΩ	milliohm	R	replacement (emergency) power source	VDC	volts direct current
MOhm, MΩ	megohm	rad.	radiator, radius	VFD	vacuum fluorescent display
MOV	metal oxide varistor	RAM	random access memory	VGA	video graphics adapter
MPa	megapascal	RDO	relay driver output	VHF	very high frequency
mpg	miles per gallon	ref.	reference	W	watt
mph	miles per hour	rem.	remote	WCR	withstand and closing rating
MS	military standard	RFI	radio frequency interference	w/	with
m/sec.	meters per second	RH	round head	w/o	without
MTBF	mean time between failure	RHM	round head machine (screw)	wt.	weight
MTBO	mean time between overhauls	rly.	relay	xfrm	transformer
mtg.	mounting	rms	root mean square		
MW	megawatt				

Appendix B Common Hardware Application Guidelines

Use the information below and on the following pages to identify proper fastening techniques when no specific reference for reassembly is made.

Bolt/Screw Length: When bolt/screw length is not given, use Figure 1 as a guide. As a general rule, a minimum length of one thread beyond the nut and a maximum length of 1/2 the bolt/screw diameter beyond the nut is the preferred method.

Washers and Nuts: Use split lock washers as a bolt locking device where specified. Use SAE flat washers with whiz nuts, spirallock nuts, or standard nuts and preloading (torque) of the bolt in all other applications.

See Appendix C, General Torque Specifications, and other torque specifications in the service literature.

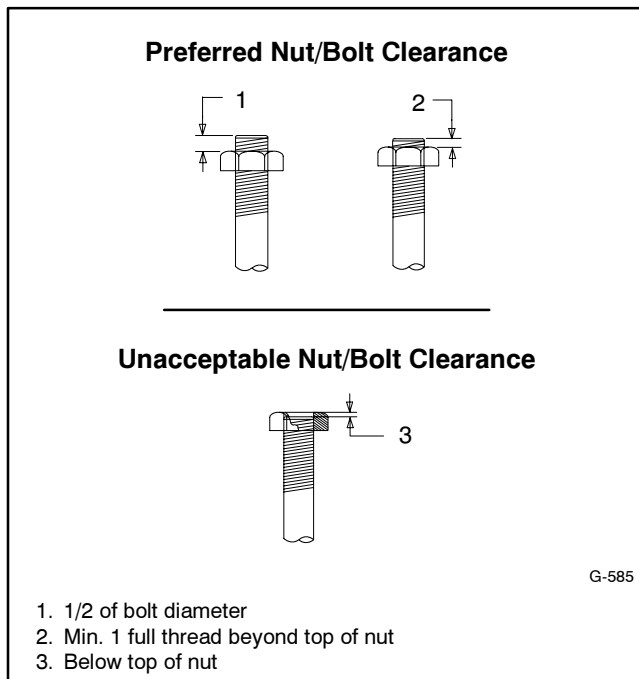


Figure 1 Acceptable Bolt Lengths

1. 1/2 of bolt diameter
2. Min. 1 full thread beyond top of nut
3. Below top of nut

Steps for common hardware application:

1. Determine entry hole type: round or slotted.
2. Determine exit hole type: fixed female thread (weld nut), round, or slotted.

For round and slotted exit holes, determine if hardware is greater than 1/2 inch in diameter, or 1/2 inch in diameter or less. Hardware that is *greater than 1/2 inch* in diameter takes a standard nut and SAE washer. Hardware *1/2 inch or less* in diameter can take a properly torqued whiz nut or spirallock nut. See Figure 2.

3. Follow these SAE washer rules after determining exit hole type:
 - a. Always use a washer between hardware and a slot.
 - b. Always use a washer under a nut (see 2 above for exception).
 - c. Use a washer under a bolt when the female thread is fixed (weld nut).
4. Refer to Figure 2, which depicts the preceding hardware configuration possibilities.

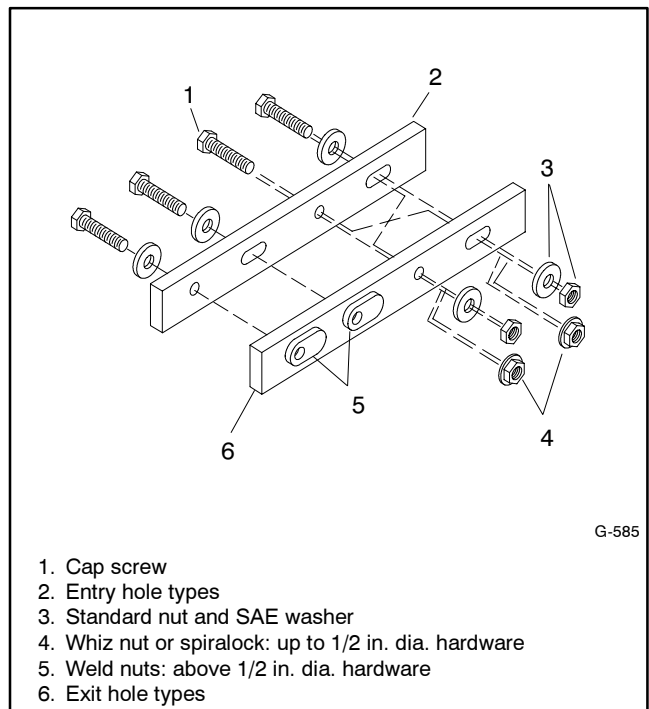


Figure 2 Acceptable Hardware Combinations

1. Cap screw
2. Entry hole types
3. Standard nut and SAE washer
4. Whiz nut or spirallock: up to 1/2 in. dia. hardware
5. Weld nuts: above 1/2 in. dia. hardware
6. Exit hole types

Appendix C General Torque Specifications















Use the following torque specifications when service literature instructions give no specific torque values. The charts list values for new plated, zinc phosphate, or












oiled threads. Increase values by 15% for nonplated threads. All torque values are +0%/-10%.





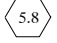
American Standard Fasteners Torque Specifications					
Size	Torque Measurement	Assembled into Cast Iron or Steel			Assembled into Aluminum Grade 2 or 5
		Grade 2	Grade 5	Grade 8	
8-32	Nm (in. lb.)	1.8 (16)	2.3 (20)	—	1.8 (16)
10-24	Nm (in. lb.)	2.9 (26)	3.6 (32)	—	2.9 (26)
10-32	Nm (in. lb.)	2.9 (26)	3.6 (32)	—	2.9 (26)
1/4-20	Nm (in. lb.)	6.8 (60)	10.8 (96)	14.9 (132)	6.8 (60)
1/4-28	Nm (in. lb.)	8.1 (72)	12.2 (108)	16.3 (144)	8.1 (72)
5/16-18	Nm (in. lb.)	13.6 (120)	21.7 (192)	29.8 (264)	13.6 (120)
5/16-24	Nm (in. lb.)	14.9 (132)	23.1 (204)	32.5 (288)	14.9 (132)
3/8-16	Nm (ft. lb.)	24.0 (18)	38.0 (28)	53.0 (39)	24.0 (18)
3/8-24	Nm (ft. lb.)	27.0 (20)	42.0 (31)	60.0 (44)	27.0 (20)
7/16-14	Nm (ft. lb.)	39.0 (29)	60.0 (44)	85.0 (63)	—
7/16-20	Nm (ft. lb.)	43.0 (32)	68.0 (50)	95.0 (70)	—
1/2-13	Nm (ft. lb.)	60.0 (44)	92.0 (68)	130.0 (96)	—
1/2-20	Nm (ft. lb.)	66.0 (49)	103.0 (76)	146.0 (108)	—
9/16-12	Nm (ft. lb.)	81.0 (60)	133.0 (98)	187.0 (138)	—
9/16-18	Nm (ft. lb.)	91.0 (67)	148.0 (109)	209.0 (154)	—
5/8-11	Nm (ft. lb.)	113.0 (83)	183.0 (135)	259.0 (191)	—
5/8-18	Nm (ft. lb.)	128.0 (94)	208.0 (153)	293.0 (216)	—
3/4-10	Nm (ft. lb.)	199.0 (147)	325.0 (240)	458.0 (338)	—
3/4-16	Nm (ft. lb.)	222.0 (164)	363.0 (268)	513.0 (378)	—
1-8	Nm (ft. lb.)	259.0 (191)	721.0 (532)	1109.0 (818)	—
1-12	Nm (ft. lb.)	283.0 (209)	789.0 (582)	1214.0 (895)	—

Metric Fasteners Torque Specifications, Measured in Nm (ft. lb.)					
Size (mm)	Assembled into Cast Iron or Steel			Assembled into Aluminum Grade 5.8 or 8.8	
	Grade 5.8	Grade 8.8	Grade 10.9		
M6 x 1.00	5.6 (4)	9.9 (7)	14.0 (10)	5.6 (4)	
M8 x 1.25	13.6 (10)	25.0 (18)	35.0 (26)	13.6 (10)	
M8 x 1.00	21.0 (16)	25.0 (18)	35.0 (26)	21.0 (16)	
M10 x 1.50	27.0 (20)	49.0 (35)	68.0 (50)	27.0 (20)	
M10 x 1.25	39.0 (29)	49.0 (35)	68.0 (50)	39.0 (29)	
M12 x 1.75	47.0 (35)	83.0 (61)	117.0 (86)	—	
M12 x 1.50	65.0 (48)	88.0 (65)	125.0 (92)	—	
M14 x 2.00	74.0 (55)	132.0 (97)	185.0 (136)	—	
M14 x 1.50	100.0 (74)	140.0 (103)	192.0 (142)	—	
M16 x 2.00	115.0 (85)	200.0 (148)	285.0 (210)	—	
M16 x 1.50	141.0 (104)	210.0 (155)	295.0 (218)	—	
M18 x 2.50	155.0 (114)	275.0 (203)	390.0 (288)	—	
M18 x 1.50	196.0 (145)	305.0 (225)	425.0 (315)	—	

Appendix D Common Hardware Identification

Screw/Bolts/Studs	
Head Styles	
Hex Head or Machine Head	
Hex Head or Machine Head with Washer	
Flat Head (FHM)	
Round Head (RHM)	
Pan Head	
Hex Socket Head Cap or Allen™ Head Cap	
Hex Socket Head or Allen™ Head Shoulder Bolt	
Sheet Metal Screw	
Stud	
Drive Styles	
Hex	
Hex and Slotted	
Phillips®	
Slotted	
Hex Socket	

Nuts	
Nut Styles	
Hex Head	
Lock or Elastic	
Square	
Cap or Acorn	
Wing	
Washers	
Washer Styles	
Plain	
Split Lock or Spring	
Spring or Wave	
External Tooth Lock	
Internal Tooth Lock	
Internal-External Tooth Lock	

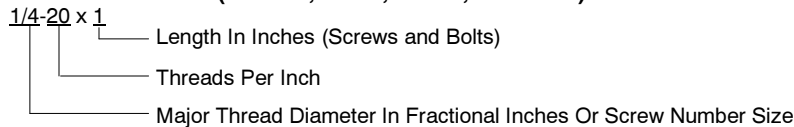
Hardness Grades	
American Standard	
Grade 2	
Grade 5	
Grade 8	
Grade 8/9 (Hex Socket Head)	
Metric	
Number stamped on hardware; 5.8 shown	

Allen™ head screw is a trademark of Holo-Krome Co.

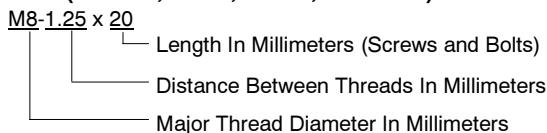
Phillips® screw is a registered trademark of Phillips Screw Company.

Sample Dimensions

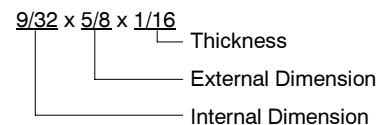
American Standard (Screws, Bolts, Studs, and Nuts)



Metric (Screws, Bolts, Studs, and Nuts)



Plain Washers



Lock Washers



Appendix E Common Hardware List

The Common Hardware List lists part numbers and dimensions for common hardware items.

American Standard

Part No.	Dimensions	Part No.	Dimensions	Part No.	Dimensions	Type
Hex Head Bolts (Grade 5)						
X-465-17	1/4-20 x .38	X-6024-5	7/16-14 x .75	X-6009-1	1-8	Standard
X-465-6	1/4-20 x .50	X-6024-2	7/16-14 x 1.00	X-6210-3	6-32	Whiz
X-465-2	1/4-20 x .62	X-6024-8	7/16-14 x 1.25	X-6210-4	8-32	Whiz
X-465-16	1/4-20 x .75	X-6024-3	7/16-14 x 1.50	X-6210-5	10-24	Whiz
X-465-18	1/4-20 x .88	X-6024-4	7/16-14 x 2.00	X-6210-1	10-32	Whiz
X-465-7	1/4-20 x 1.00	X-6024-11	7/16-14 x 2.75	X-6210-2	1/4-20	Spiralock
X-465-8	1/4-20 x 1.25	X-6024-12	7/16-14 x 6.50	X-6210-6	1/4-28	Spiralock
X-465-9	1/4-20 x 1.50	X-129-15	1/2-13 x .75	X-6210-7	5/16-18	Spiralock
X-465-10	1/4-20 x 1.75	X-129-17	1/2-13 x 1.00	X-6210-8	5/16-24	Spiralock
X-465-11	1/4-20 x 2.00	X-129-18	1/2-13 x 1.25	X-6210-9	3/8-16	Spiralock
X-465-12	1/4-20 x 2.25	X-129-19	1/2-13 x 1.50	X-6210-10	3/8-24	Spiralock
X-465-14	1/4-20 x 2.75	X-129-20	1/2-13 x 1.75	X-6210-11	7/16-14	Spiralock
X-465-21	1/4-20 x 5.00	X-129-21	1/2-13 x 2.00	X-6210-12	1/2-13	Spiralock
X-465-25	1/4-28 x .38	X-129-22	1/2-13 x 2.25	X-6210-15	7/16-20	Spiralock
X-465-20	1/4-28 x 1.00	X-129-23	1/2-13 x 2.50	X-6210-14	1/2-20	Spiralock
X-125-33	5/16-18 x .50	X-129-24	1/2-13 x 2.75	X-85-3	5/8-11	Standard
X-125-23	5/16-18 x .62	X-129-25	1/2-13 x 3.00	X-88-12	3/4-10	Standard
X-125-3	5/16-18 x .75	X-129-27	1/2-13 x 3.50	X-89-2	1/2-20	Standard
X-125-31	5/16-18 x .88	X-129-29	1/2-13 x 4.00			
X-125-5	5/16-18 x 1.00	X-129-30	1/2-13 x 4.50			
X-125-24	5/16-18 x 1.25	X-463-9	1/2-13 x 5.50			
X-125-34	5/16-18 x 1.50	X-129-44	1/2-13 x 6.00			
X-125-25	5/16-18 x 1.75	X-129-51	1/2-20 x .75			
X-125-26	5/16-18 x 2.00	X-129-45	1/2-20 x 1.25			
230578	5/16-18 x 2.25	X-129-52	1/2-20 x 1.50			
X-125-29	5/16-18 x 2.50	X-6021-3	5/8-11 x 1.00			
X-125-27	5/16-18 x 2.75	X-6021-4	5/8-11 x 1.25			
X-125-28	5/16-18 x 3.00	X-6021-2	5/8-11 x 1.50			
X-125-22	5/16-18 x 4.50	X-6021-1	5/8-11 x 1.75			
X-125-32	5/16-18 x 5.00	273049	5/8-11 x 2.00			
X-125-35	5/16-18 x 5.50	X-6021-5	5/8-11 x 2.25			
X-125-36	5/16-18 x 6.00	X-6021-6	5/8-11 x 2.50			
X-125-40	5/16-18 x 6.50	X-6021-7	5/8-11 x 2.75			
X-125-43	5/16-24 x 1.75	X-6021-12	5/8-11 x 3.75			
X-125-44	5/16-24 x 2.50	X-6021-11	5/8-11 x 4.50			
X-125-30	5/16-24 x .75	X-6021-10	5/8-11 x 6.00			
X-125-39	5/16-24 x 2.00	X-6021-9	5/8-18 x 2.50			
X-125-38	5/16-24 x 2.75	X-6239-1	3/4-10 x 1.00			
X-6238-2	3/8-16 x .62	X-6239-8	3/4-10 x 1.25			
X-6238-10	3/8-16 x .75	X-6239-2	3/4-10 x 1.50			
X-6238-3	3/8-16 x .88	X-6239-3	3/4-10 x 2.00			
X-6238-11	3/8-16 x 1.00	X-6239-4	3/4-10 x 2.50			
X-6238-4	3/8-16 x 1.25	X-6239-5	3/4-10 x 3.00			
X-6238-5	3/8-16 x 1.50	X-6239-6	3/4-10 x 3.50			
X-6238-1	3/8-16 x 1.75	X-792-1	1-8 x 2.25			
X-6238-6	3/8-16 x 2.00	X-792-5	1-8 x 3.00			
X-6238-17	3/8-16 x 2.25	X-792-8	1-8 x 5.00			
X-6238-7	3/8-16 x 2.50					
X-6238-8	3/8-16 x 2.75					
X-6238-9	3/8-16 x 3.00					
X-6238-19	3/8-16 x 3.25					
X-6238-12	3/8-16 x 3.50					
X-6238-20	3/8-16 x 3.75					
X-6238-13	3/8-16 x 4.50					
X-6238-18	3/8-16 x 5.50					
X-6238-25	3/8-16 x 6.50					
X-6238-14	3/8-24 x .75					
X-6238-16	3/8-24 x 1.25					
X-6238-21	3/8-24 x 4.00					
X-6238-22	3/8-24 x 4.50					

Washers

Part No.	ID	OD	Thick.	Bolt/ Screw
X-25-46	.125	.250	.022	#4
X-25-9	.156	.375	.049	#6
X-25-48	.188	.438	.049	#8
X-25-36	.219	.500	.049	#10
X-25-40	.281	.625	.065	1/4
X-25-85	.344	.687	.065	5/16
X-25-37	.406	.812	.065	3/8
X-25-34	.469	.922	.065	7/16
X-25-26	.531	1.062	.095	1/2
X-25-15	.656	1.312	.095	5/8
X-25-29	.812	1.469	.134	3/4
X-25-127	1.062	2.000	.134	1

Metric

Hex head bolts are hardness grade 8.8 unless noted.

Part No.	Dimensions	Part No.	Dimensions	Part No.	Dimensions	Type
Hex Head Bolts (partial thread)						
M931-05055-60	M5-0.80 x 55					
M931-06040-60	M6-1.00 x 40					
M931-06055-60	M6-1.00 x 55					
M931-06060-60	M6-1.00 x 60					
M931-06070-60	M6-1.00 x 70					
M931-06070-SS	M6-1.00 x 70					
M931-06075-60	M6-1.00 x 75					
M931-06090-60	M6-1.00 x 90					
M931-06150-60	M6-1.00 x 150					
M931-08035-60	M8-1.25 x 35					
M931-08040-60	M8-1.25 x 40					
M931-08040-82	M8-1.25 x 40*					
M931-08045-60	M8-1.25 x 45					
M931-08050-60	M8-1.25 x 50					
M931-08055-60	M8-1.25 x 55					
M931-08055-82	M8-1.25 x 55*					
M931-08060-60	M8-1.25 x 60					
M931-08070-60	M8-1.25 x 70					
M931-08070-82	M8-1.25 x 70*					
M931-08075-60	M8-1.25 x 75					
M931-08080-60	M8-1.25 x 80					
M931-08090-60	M8-1.25 x 90					
M931-08095-60	M8-1.25 x 95					
M931-08100-60	M8-1.25 x 100					
M931-08120-60	M8-1.25 x 120					
M931-08130-60	M8-1.25 x 130					
M931-08140-60	M8-1.25 x 140					
M931-10040-82	M10-1.25 x 40*					
M931-10040-60	M10-1.50 x 40					
M931-10045-60	M10-1.50 x 45					
M931-10050-60	M10-1.50 x 50					
M931-10055-60	M10-1.50 x 55					
M931-10060-60	M10-1.50 x 60					
M931-10065-60	M10-1.50 x 65					
M931-10070-60	M10-1.50 x 70					
M931-10080-60	M10-1.50 x 80					
M931-10090-60	M10-1.50 x 90					
M931-10090-82	M10-1.50 x 90*					
M931-10100-60	M10-1.50 x 100					
M931-10110-60	M10-1.50 x 110					
M931-10120-60	M10-1.50 x 120					
M931-10130-60	M10-1.50 x 130					
M931-10140-60	M10-1.50 x 140					
M931-10180-60	M10-1.50 x 180					
M931-12045-60	M12-1.75 x 45					
M960-12050-60	M12-1.25 x 50					
M960-12050-82	M12-1.25 x 50*					
M931-12050-60	M12-1.75 x 50					
M931-12055-60	M12-1.75 x 55					
M931-12060-60	M12-1.75 x 60					
M931-12065-60	M12-1.75 x 65					
M931-12075-60	M12-1.75 x 75					
M931-12080-60	M12-1.75 x 80					
M931-12090-60	M12-1.75 x 90					
M931-12100-60	M12-1.75 x 100					
M931-12110-60	M12-1.75 x 110					
M960-16090-60	M16-1.50 x 90					
M931-16090-60	M16-2.00 x 90					
M931-16100-60	M16-2.00 x 100					
M931-20065-60	M20-2.50 x 65					
M931-20120-60	M20-2.50 x 120					
M931-20160-60	M20-2.50 x 160					
M931-22090-60	M22-2.50 x 90					
M931-22120-60	M22-2.50 x 120					
M931-22160-60	M22-2.50 x 160					
M931-24090-60	M24-3.00 x 90					
M931-24120-60	M24-3.00 x 120					
M931-24160-60	M24-3.00 x 160					
Hex Head Bolts (full thread)						
M933-04006-60	M4-0.70 x 6					
M933-05035-60	M5-0.80 x 35					
M933-05050-60	M5-0.80 x 50					
M933-06010-60	M6-1.00 x 10					
M933-06014-60	M6-1.00 x 14					
M933-06016-60	M6-1.00 x 16					
M933-06020-60	M6-1.00 x 20					
M933-06025-60	M6-1.00 x 25					
M933-06040-60	M6-1.00 x 40					
M933-06050-60	M6-1.00 x 50					
M933-08012-60	M8-1.25 x 12					
M933-08016-60	M8-1.25 x 16					
M933-08020-60	M8-1.25 x 20					
M933-08025-60	M8-1.25 x 25					
M933-08030-60	M8-1.25 x 30					
M933-08030-82	M8-1.25 x 30*					
M933-10012-60	M10-1.50 x 12					
M961-10020-60	M10-1.25 x 20					
M933-10020-60	M10-1.50 x 20					
M933-10025-60	M10-1.50 x 25					
M961-10030-60	M10-1.25 x 30					
M933-10030-60	M10-1.50 x 30					
M933-10030-82	M10-1.50 x 30*					
M961-10035-60	M10-1.25 x 35					
M933-10035-60	M10-1.50 x 35					
M933-12016-60	M12-1.75 x 16					
M933-12020-60	M12-1.75 x 20					
M933-12025-60	M12-1.75 x 25					
M933-12025-82	M12-1.75 x 25*					
M961-12030-60	M12-1.25 x 30					
M933-12030-60	M12-1.75 x 30					
M933-12035-60	M12-1.75 x 35					
M961-12040-82	M12-1.25 x 40*					
M933-12040-60	M12-1.75 x 40					
M933-12040-82	M12-1.75 x 40*					
M961-14025-60	M14-1.50 x 25					
M933-14025-60	M14-2.00 x 25					
M961-16025-60	M16-1.50 x 25					
M933-16025-60	M16-2.00 x 25					
M961-16030-82	M16-1.50 x 30*					
M933-16030-82	M16-2.00 x 30*					
M933-16035-60	M16-2.00 x 35					
M961-16040-60	M16-1.50 x 40					
M933-16040-60	M16-2.00 x 40					
M933-16050-60	M16-2.00 x 50					
M933-16050-82	M16-2.00 x 50*					
M933-16060-60	M16-2.00 x 60					
M933-18035-60	M18-2.50 x 35					
M933-18050-60	M18-2.50 x 50					
M933-18060-60	M18-2.50 x 60					
M933-20050-60	M20-2.50 x 50					
M933-20055-60	M20-2.50 x 55					
Pan Head Machine Screws						
M7985A-03010-20	M3-0.50 x 10					
M7985A-03012-20	M3-0.50 x 12					
M7985A-04010-20	M4-0.70 x 10					
M7985A-04020-20	M4-0.70 x 20					
M7985A-04100-20	M4-0.70 x 100					
M7985A-05010-20	M5-0.80 x 10					
M7985A-05012-20	M5-0.80 x 12					
M7985A-05016-20	M5-0.80 x 16					
M7985A-05100-20	M5-0.80 x 100					
M7985A-06100-20	M6-1.00 x 100					
Flat Head Machine Screws						
M965A-04012-SS	M4-0.70 x 12					
M965A-05012-SS	M5-0.80 x 12					
M965A-05016-20	M5-0.80 x 16					
Hex Nuts						
M934-03-50	M3-0.50	Standard				
M934-035-50	M3.5-0.50	Standard				
M934-04-50	M4-0.70	Standard				
M934-05-50	M5-0.80	Standard				
M982-05-80	M5-0.80	Elastic Stop				
M934-06-60	M6-1.00	Standard				
M934-06-64	M6-1.00	Std. (green)				
M6923-06-80	M6-1.00	Spirallock				
M982-06-80	M6-1.00	Elastic Stop				
M934-08-60	M8-1.25	Standard				
M6923-08-80	M8-1.25	Spirallock				
M982-08-80	M8-1.25	Elastic Stop				
M934-10-60	M10-1.50	Standard				
M934-10-60F	M10-1.25	Standard				
M6923-10-80	M10-1.50	Spirallock				
M6923-10-62	M10-1.50	Spirallock†				
M982-10-80	M10-1.50	Elastic Stop				
M934-12-60	M12-1.75	Standard				
M934-12-60F	M12-1.25	Standard				
M6923-12-80	M12-1.75	Spirallock				
M982-12-80	M12-1.75	Elastic Stop				
M982-14-80	M14-2.00	Elastic Stop				
M6923-16-80	M16-2.00	Spirallock				
M982-16-80	M16-2.00	Elastic Stop				
M934-18-80	M18-2.5	Standard				
M982-18-80	M18-2.50	Elastic Stop				
M934-20-80	M20-2.50	Standard				
M982-20-80	M20-2.50	Elastic Stop				
M934-22-60	M22-2.50	Standard				
M934-24-80	M24-3.00	Standard				
M982-24-80	M24-3.00	Elastic Stop				
M934-30-80	M30-3.50	Standard				
Washers						
						Bolt/ Thick. Screw
Part No.	ID	OD				
M125A-03-80	3.2	7.0	0.5	M3		
M125A-04-80	4.3	9.0	0.8	M4		
M125A-05-80	5.3	10.0	1.0	M5		
M125A-06-80	6.4	12.0	1.6	M6		
M125A-08-80	8.4	16.0	1.6	M8		
M125A-10-80	10.5	20.0	2.0	M10		
M125A-12-80	13.0	24.0	2.5	M12		
M125A-14-80	15.0	28.0	2.5	M14		
M125A-16-80	17.0	30.0	3.0	M16		
M125A-18-80	19.0	34.0	3.0	M18		
M125A-20-80	21.0	37.0	3.0	M20		
M125A-24-80	25.0	44.0	4.0	M24		
* This metric hex bolt's hardness is grade 10.9.						
† This metric hex nut's hardness is grade 8.						

TP-6009 4/01e

© 1999, 2000, 2001 by Kohler Co. All rights reserved.

KOHLER[®] POWER SYSTEMS

KOHLER CO. Kohler, Wisconsin 53044
Phone 920-565-3381, Web site www.kohlergenerators.com
Fax 920-459-1646 (U.S.A. Sales), Fax 920-459-1614 (International)
For the nearest sales and service outlet in U.S.A. and Canada
Phone 1-800-544-2444

Kohler Power Systems
Asia Pacific Headquarters
7 Jurong Pier Road
Singapore 619159
Phone (65)264-6422, Fax (65)264-6455