

---

## INSTALLATION INSTRUCTIONS

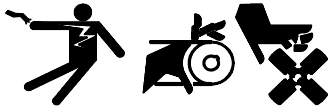
---

Original Issue Date: **9/98**  
 Model: **17/22RY**  
 Market: **Industrial**  
 Subject: **Battery Heater Kit PA-358225**

The battery heater kit includes a heating pad and battery wrap to help increase the battery temperature in cold climates. The battery heater is connected to a thermostat for controlled heating. Observe the following safety precautions while installing the kit.

---

### ⚠ WARNING



**Accidental starting.  
 Can cause severe injury or death.**

Disconnect battery cables before working on generator set. (Remove negative (-) lead first when disconnecting battery. Reconnect negative (-) lead last when reconnecting battery.)

---

**Disabling generator set. Accidental starting can cause severe injury or death.** Before working on the generator set or connected equipment, disable the generator set as follows:

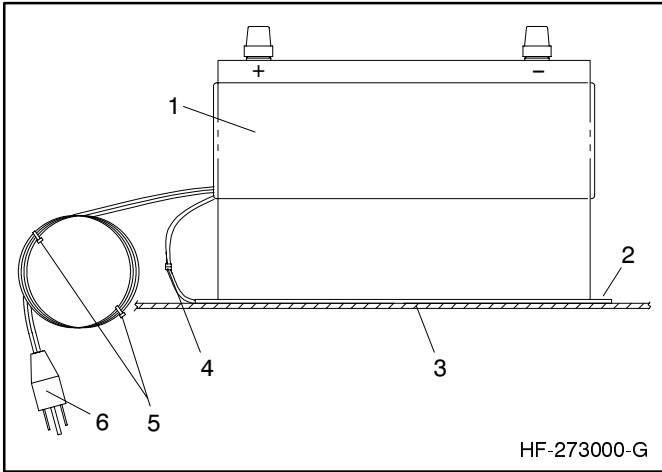
- 1) Turn the generator set master switch to OFF position.
- 2) Disconnect power to battery charger.
- 3) Remove battery cables (remove negative (-) lead first). Reconnect negative (-) lead last when reconnecting battery. Follow these precautions to prevent starting of generator set by an automatic transfer switch or remote start/stop switch.

## Installation

1. Place the generator set master switch in the OFF position.
2. Disconnect the power to the battery charger, if equipped.
3. Disconnect the generator set engine starting battery cables, negative (-) lead first.
4. Remove the battery from the battery rack.
5. Place the battery heater pad (336825) in the bottom of the battery rack with the vac output connector toward the generator set alternator. Center the battery heater pad in the battery rack.
6. Wrap the battery heater wrap (336814) around the battery, making certain that the power cord is on the generator set alternator side of the battery. See Figure 1.
7. Reinstall the battery into the battery rack. Position the battery on the center of the battery heater pad. See Figure 1.
8. Connect the battery wrap and pad vac connectors. See Figure 1.

9. Plug the battery heater into a convenient 120-volt electrical outlet. Coil the excess cord with cable ties (X-468-1).

10. Check that the generator master switch is in the OFF position.
11. Reconnect the generator set engine starting battery cables, negative (-) lead last.
12. Reconnect the power to the battery charger, if equipped.



1. Battery heater wrap (336814)
2. Battery heater pad (336825)
3. Battery rack base
4. Pad to wrap vac connection
5. Cable ties (X-468-1)
6. Power cord

**Figure 1. Battery Heater Installation**

**Block Heater Kit**

Parts List		
Kit: PA-358225		
Qty.	Description	Part Number
2	Tie, cable	X-468-1
1	Heater, battery wrap	336814
1	Heater, battery pad	336825