
INSTALLATION INSTRUCTIONS

Original Issue Date: **9/90**

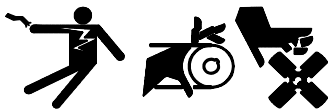
Model: **500-2000 kW**

Market: **Industrial**

Subject: **Vibration Spring Isolator Kits PA-274640, PA-274640-SD, PA-292868, PA-292868-SD, PA-292869, PA-292869-SD, PA-347688, PA-347688-SD, PA-361262, PA-361262-SD, PA-361273, PA-361273-SD, PA-361282, PA-361282-SD, PA-361591, PA-361591-SD**

Install the vibration spring isolators under the generator set skid to isolate generator set vibration from the mounting surface. Install the vibration spring isolators according to the following procedure. Observe the following safety precautions when installing the vibration spring isolator kit.

⚠ WARNING



**Accidental starting.
Can cause severe injury or death.**

Disconnect the battery cables before working on the generator set. Remove the negative (-) lead first when disconnecting the battery. Reconnect the negative (-) lead last when reconnecting the battery.

Disabling the generator set. Accidental starting can cause severe injury or death. Before working on the generator set or connected equipment, disable the generator set as follows: (1) Move the generator set master switch to the OFF position. (2) Disconnect the power to the battery charger. (3) Remove the battery cables, negative (-) lead first. Reconnect the negative (-) lead last when reconnecting the battery. Follow these precautions to prevent starting of the generator set by an automatic transfer switch, remote start/stop switch, or engine start command from a remote computer.

⚠ WARNING



**Unbalanced weight.
Improper lifting can cause severe injury or death and equipment damage.**

Do not use lifting eyes.
Lift the generator set using lifting bars inserted through the lifting holes on the skid.

Installation

1. Place the generator set master switch in the OFF position.
2. Disconnect the power to the battery charger, if equipped.
3. Disconnect the generator set engine starting battery(ies), negative (-) lead first.
4. Loosen the spring isolator mount side screws to allow movement of the side plates and rubber bumpers. If necessary, remove the side plates for full vertical motion.
5. Raise the generator set enough to align the mounting holes of the spring isolator mount with the corresponding holes in the generator set skid. See Figure 3 or Figure 4 for the spring isolator mounting locations.
6. Remove the leveling bolt from each spring isolator.

- Install the beveled washer on the required leveling bolts. See Figure 1 for the beveled washer installation locations.

Kit No.	Beveled Washer Location
PA-274640, PA-274640-SD	All four spring isolators
PA-361282, PA-361282-SD	Front (radiator end) two spring isolators
PA-292868, PA-292868-SD	All six spring isolators
PA-292869, PA-292869-SD	All eight spring isolators
PA-347688, PA-347688-SD	Front (radiator end) spring isolators
PA-361273, PA-361273-SD	Front (radiator end) two spring isolators
PA-361591, PA-361591-SD	Front (radiator end) two spring isolators

Figure 1. Beveled Washer Installation Locations

- Oil the threads of each leveling bolt to ease the adjustment procedure.
- Install each isolator by inserting the leveling bolt through the hole in the generator set skid and threading the bolt into the top of the isolator casting. Turn each leveling bolt clockwise twice (720°) to secure the leveling bolt to the spring isolator mount.

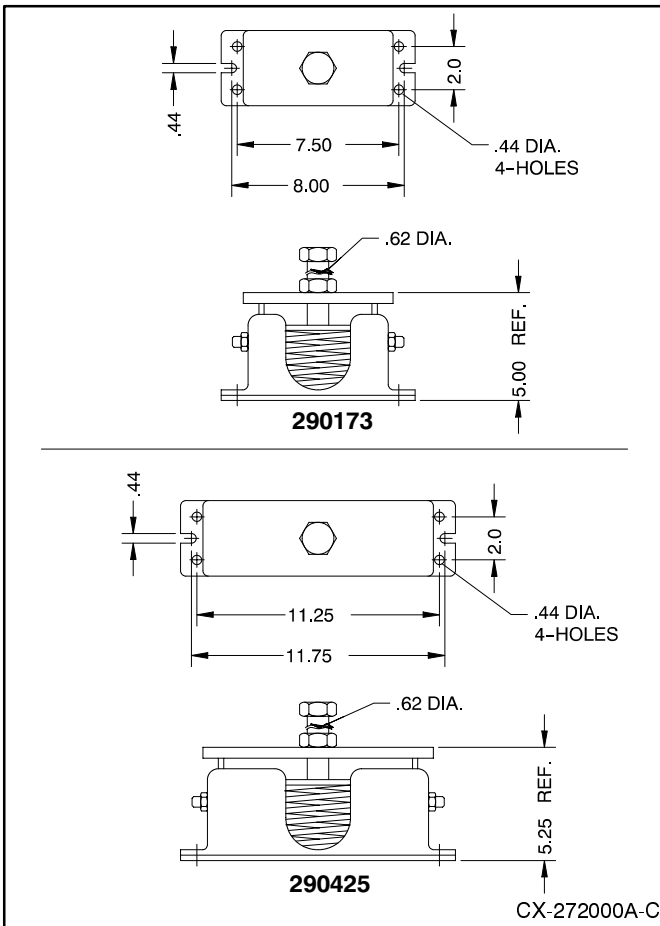


Figure 2. Vibration Spring Isolators

- Lower the generator set onto the spring isolators keeping the isolators parallel with the generator set skid.
- Turn the leveling bolts clockwise until the generator set raises and floats on the vibration spring isolators. Raise the generator set by adjusting the isolators in 1/4 in. (6 mm) increments.
- Adjust the spring isolators until the top castings rise approximately 1/4 in. (6 mm) to 3/8 in. (10 mm) above the bottom casting.
- Adjust all isolators to the same height. Adjust any isolator that is shorter than the others in the set by backing out the leveling bolt until it is the same height as the other isolators.
- Level the generator set. Turn the leveling bolt clockwise on the lowest isolator(s) until the generator set is level. If an isolator requires more than 1/2-in. (13 mm) adjustment, remove the isolator and insert spacers (washers) between the isolator and the generator set skid. The generator set floats on the vibration spring isolator after completing the leveling process.
- Install and/or finger tighten the side screws and plates. Adjust each plate equally until restricting the horizontal movement of the generator set to the desired degree. Do not overtighten the side plates. Overtightening the side plates decreases the vibration isolation.
- Attach the vibration spring isolators to the mounting base using the 7/16-in. (11 mm) holes in the isolator's bottom casting. Mounting hardware is not supplied in the kit. See Figure 2.
- 2000 kW with the Baylor alternator.** Perform the generator installation and alignment procedure as outlined in SB-560.
- Check that the generator set master switch is in the OFF position.
- Reconnect the generator set engine starting battery, negative (-) lead last.
- Reconnect the power to the battery charger, if equipped.

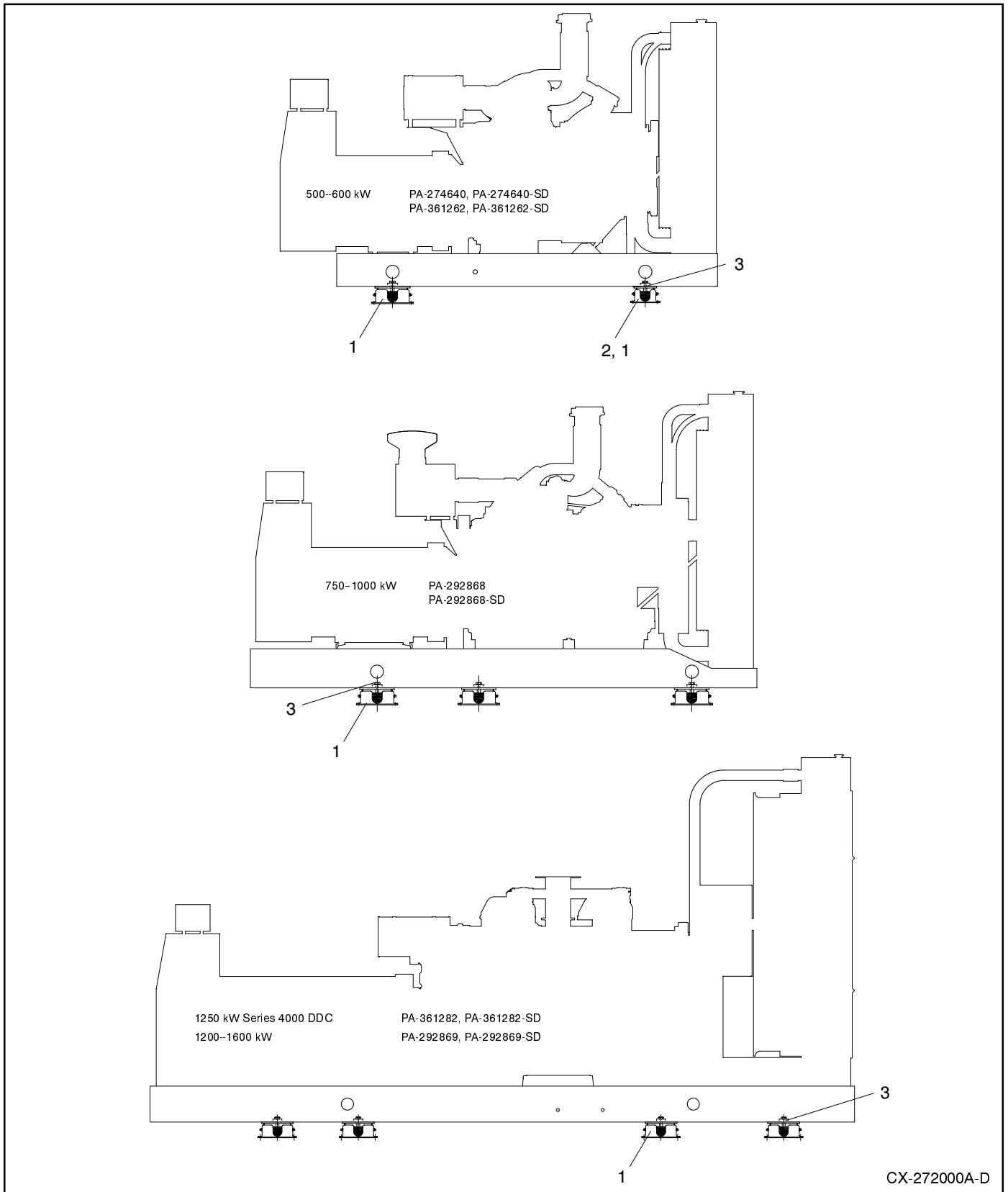


Figure 3. Vibration Spring Isolator Installation

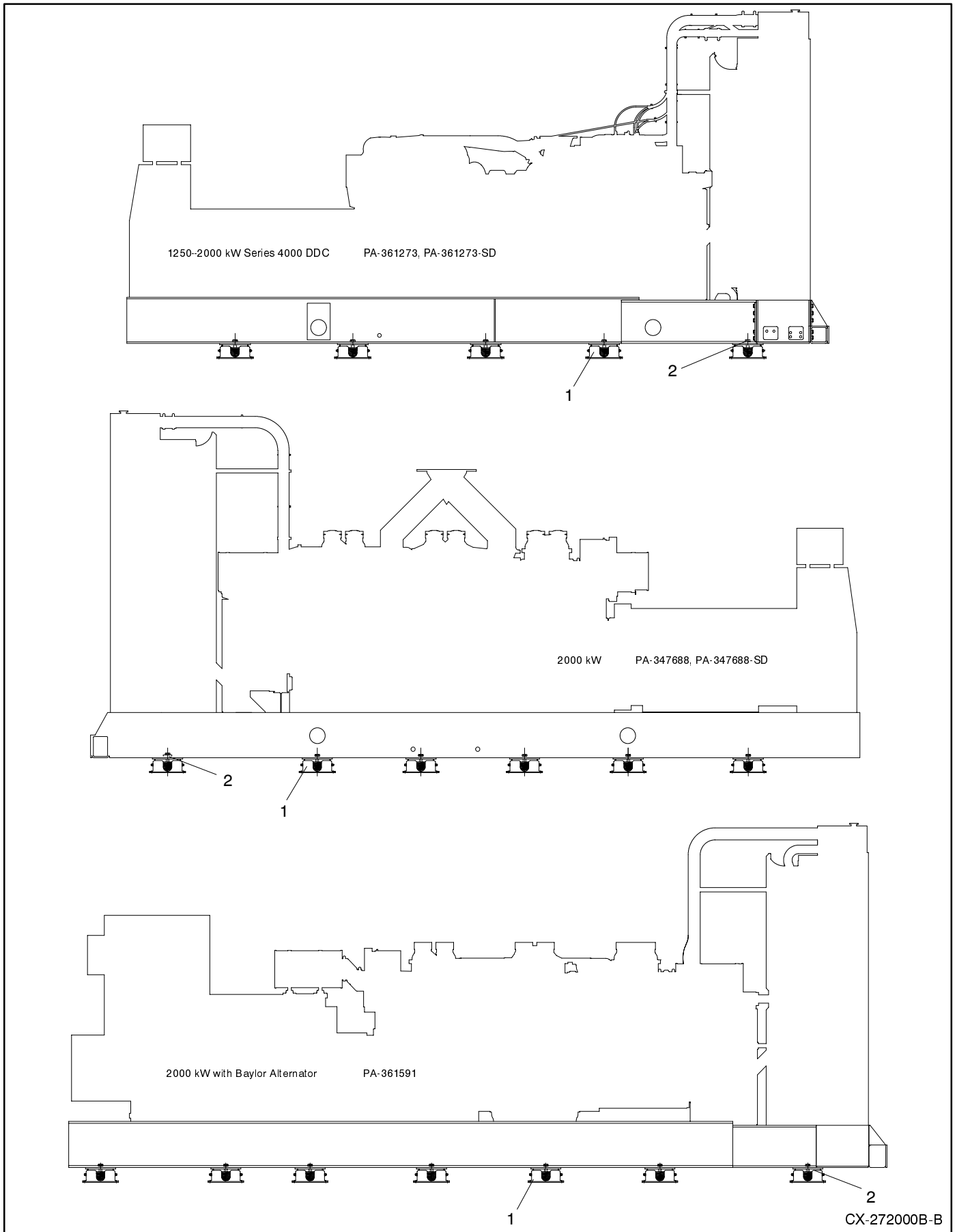


Figure 4. Vibration Spring Isolator Installation

Vibration Spring Isolator Kit

Parts List						
Kits: PA-274640, PA-274640-SD PA-361262, PA-361262-SD PA-361282, PA-361282-SD PA-361591, PA-361591-SD			Unique Parts			
Qty.	Description	Common Parts	PA-274640 PA-274640-SD	PA-361262 PA-361262-SD	PA-361282 PA-361282-SD	PA-361591 PA-361591-SD
	Washer, beveled		(4) X-6011-3		(2) X-6011-3	(2) X-6011-3
	Damper, vibration		(2) 290173		(8) 290425	(14) 290425
	Damper, vibration		(2) 290425	(4) 290425		

Vibration Spring Isolator Kit

Parts List						
Kits: PA-292868, PA-292868-SD PA-292869, PA-292869-SD PA-347688, PA-347688-SD PA-361273, PA-361273-SD			Unique Parts			
Qty.	Description	Common Parts	PA-292868 PA-292868-SD	PA-292869 PA-292869-SD	PA-347688 PA-347688-SD	PA-361273 PA-361273-SD
	Washer, beveled		(6) X-6011-3	(8) X-6011-3	(2) X-6011-3	(2) X-6011-3
	Damper, vibration		(6) 290425	(8) 290425	(12) 290425	(10) 290425