

---

## INSTALLATION INSTRUCTIONS

---

Original Issue Date: **11/95**

Model: **20 kW (Gas Powered)**

Market: **Industrial**

Subject: **Weather Housing Kits PA-326426, PA-333037-SD**

The weather housing kit provides weather protection for generator sets installed outdoors. Lockable housing panels prevent unauthorized personnel from tampering with the generator set. When installing the weather housing kit, observe the following safety precautions.



**Accidental starting.  
Can cause severe injury or death.**

Disconnect battery cables before working on generator set (negative lead first and reconnect it last).

**Accidental starting can cause severe injury or death.**

Turn generator set master switch to OFF position, disconnect power to battery charger, and remove battery cables (remove negative lead first and reconnect it last) to disable generator set before working on any equipment connected to generator set. The generator set can be started by automatic transfer switch or remote start/stop switch unless these precautions are followed.

**⚠ WARNING**



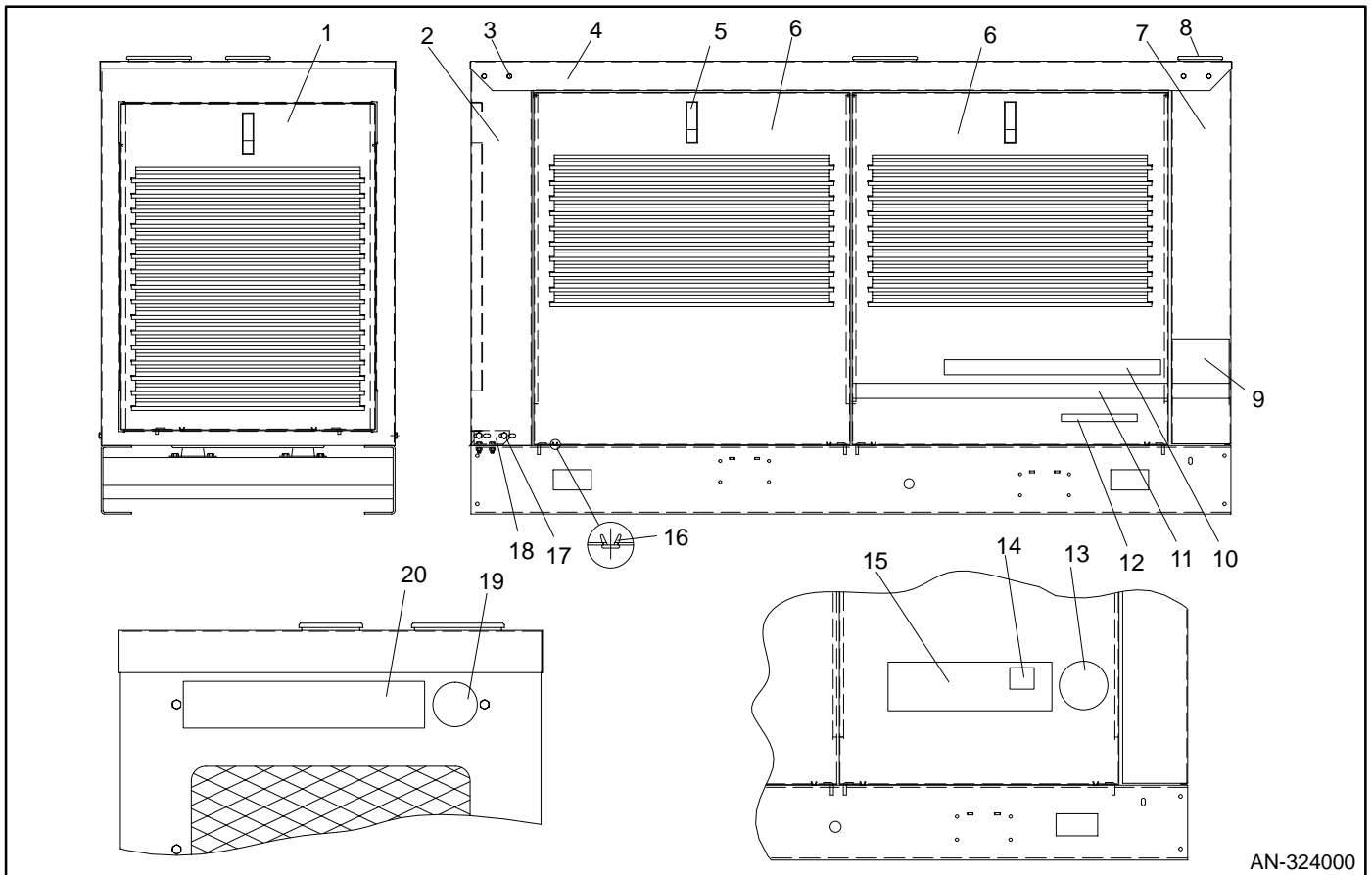
**Hot engine and exhaust system.  
Can cause severe injury or death.**

Do not work on generator set until it is allowed to cool.

**Hot parts can cause severe injury or death.** Do not touch hot engine parts. An engine gets hot while running and exhaust system components get extremely hot.

# Installation

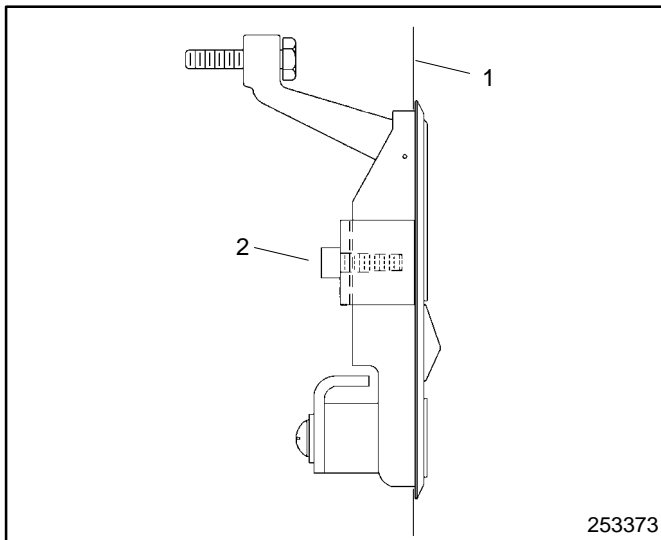
1. Place the generator set master switch in the OFF position.
  2. Disconnect generator set engine starting battery, negative (–) lead first.
  3. Refer to the assembly drawing in Figure 1 to identify kit components and their relative positions.
  4. Disconnect and remove exhaust silencer from the generator set if equipped.
- NOTE**
- The generator set skid is predrilled to accept the weather housing components.
5. Secure mounting brackets (324141 and 324142) with screws (X-125-5), and washers (X-25-85) to the alternator end of the generator set skid. Final tighten hardware. See Figure 1.
  6. Attach rear housing shroud (276268) to mounting brackets installed in step 3. Attach shroud to brackets using screws (X-125-5) and washers (X-25-85).
  7. Remove generator set radiator guard. Discard radiator guard and save the mounting hardware.
  8. Install radiator guard (326431) using hardware removed in step 7.
  9. Install housing roof (326432) over unit. Verify that roof openings align with silencer and radiator ports on the generator set.
  10. Attach roof to radiator guard and rear shroud with screws (X-794-4).
  11. Install plug (253268) in roof opening.
  12. Install latch (253373) in each door. See Figure 2.
  13. Install four plastic plugs (253723) in each door. Install two plugs on the top and bottom edges of the door.
  14. Install side doors (326060-BLK or 326060-SD) and back door (254476-BLK or 254476-SD). See Figure 1 for door locations. Secure each door to housing with latch. If doors do not fit loosen housing support hardware and square unit.
  15. Attach decals to a clean dry surface as shown in Figure 1.
  16. Install exhaust silencer if equipped.
  17. Reconnect generator set engine starting battery, negative (–) lead last.



AN-324000

- |   |  |
|---|--|
| <ul style="list-style-type: none"> <li>1. Rear housing door (254476-BLK or 254476-SD)</li> <li>2. Rear housing shroud (276268)</li> <li>3. Screw (X-794-4)</li> <li>4. Roof (326432)</li> <li>5. Door latch (253373)</li> <li>6. Louvered door (326060-BLK or 326060-SD)</li> <li>7. Radiator shroud (326431)</li> <li>8. Plug (253268)</li> <li>9. Decal, kW (X-6247-1)</li> <li>10. Decal, logo (X-6246-2)</li> </ul> | <ul style="list-style-type: none"> <li>11. Decal, stripes (X-6232-2)</li> <li>12. Decal (273740)</li> <li>13. Decal (X-6302-1)</li> <li>14. Decal kW (X-6299-1)</li> <li>15. Logo decal (X-6301-3)</li> <li>16. Door plug (253723)</li> <li>17. Screw (X-125-5), and washer (X-25-85)</li> <li>18. Mounting bracket (324141 and 324142)</li> <li>19. Decal (X-6302-1)</li> <li>20. Decal (X-6301-3)</li> </ul> |
|---|--|

**Figure 1. Weather Housing Assembly**



253373

- 1. Door
- 2. Screw

**Figure 2. Door Latch**

## Weather Housing Kit

Parts List				
Kits: PA-326426, PA-333037-SD			Unique Parts	
Qty.	Description	Common Parts	PA-326426	PA-333037-SD
8	Washer, plain O.D.=0.625 in.	X-25-40		
16	Washer, plain O.D. =0.687 in.	X-25-85		
8	Screw, 5/16-18 x 1.0	X-125-5		
8	Screw, 1/4-20 x 0.5	X-465-6		
8	Screw, drill w/washer	X-794-4		
2	Decal, stripes		X-6232-6	
2	Decal, logo		X-6246-2	
2	Decal, kW		X-6247-1	
2	Decal, kW			X-6299-1
3	Decal, logo			X-6301-3
3	Decal, logo			X-6302-1
1	Plug	253268		
5	Latch, door	253373		
20	Plug, plastic	253723		
1	Door, rear housing		254476-BLK	254476-SD
2	Decal		273740	
1	Shroud, rear housing	276268		
1	Bracket, mounting (r.h.)	324141		
1	Bracket, mounting (l.h.)	324142		
1	Shroud, radiator	324019		
1	Roof, housing	324022		
2	Door, housing		276396-BLK	276396-SD
2	Door, housing		324552-BLK	324552-SD