

INSTALLATION INSTRUCTIONS

Original Issue Date: 6/03

Model: 20-125 kW (John Deere Powered)

Market: Industrial

Subject: Sound Enclosure Upfit Kits GM20682-KP1, -KP3, -KP4, -KP7

Introduction

The sound enclosure upfit kit converts a weather enclosure into a sound enclosure. See kit numbers following. See Figure 1 for an illustration of the sound enclosure upfit kit installed on a weather enclosure.

Sound Enclosure Upfit Kits			
20-40 kW	50/60 kW	80 kW	100/125 kW
GM20682-KP3	GM20682-KP1	GM20682-KP7	GM20682-KP4

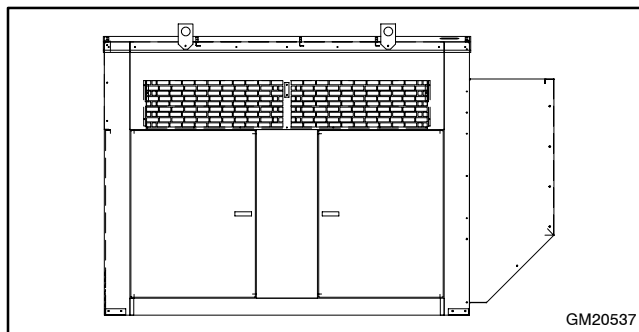
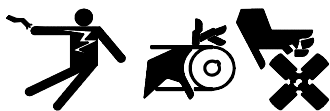


Figure 1 Sound Enclosure Upfit Kit Installed

Safety Precautions

Observe the following safety precaution when installing the mount kit.

⚠ WARNING



Accidental starting.
Can cause severe injury or death.

Disconnect the battery cables before working on the generator set. Remove the negative (-) lead first when disconnecting the battery. Reconnect the negative (-) lead last when reconnecting the battery.

Disabling the generator set. Accidental starting can cause severe injury or death. Before working on the generator set or connected equipment, disable the generator set as follows: (1) Move the generator set master switch to the OFF position. (2) Disconnect the power to the battery charger. (3) Remove the battery cables, negative (-) lead first. Reconnect the negative (-) lead last when reconnecting the battery. Follow these precautions to prevent starting of the generator set by an automatic transfer switch, remote start/stop switch, or engine start command from a remote computer.

Installation Procedure

- 1. Remove the generator set from service.**
 - 1.1 Place the generator set start/stop switch in the OFF/RESET position.
 - 1.2 Disconnect the power to the battery charger, if equipped.
 - 1.3 Disconnect the power to the block heater, if equipped.
 - 1.4 Disconnect the generator set engine starting battery(ies), negative (-) lead first.
- 2. Install the inner duct components.**
 - 2.1 Remove the radiator guard on the enclosure. The radiator guard and hardware will not be reused.
 - 2.2 Attach the bottom duct GM26129, side ducts GM26131 (qty. 2), and top duct GM26130 to the generator set enclosure using twelve drill screws X-794-4.

Install the duct mounting flange edge (with holes) to the enclosure outside surface with the flange edge pointing inward. Install the bottom duct with the angled edge pointing downward. See Figure 2.
- 3. Install the foam pieces.**
 - 3.1 Remove all enclosure doors.

- 3.2 With the enclosure sheet metal clean and dry, attach the foam pieces in the locations as shown in Figure 5.

Review the illustration and verify that each foam piece is the correct one by placing the foam with the backing still attached in the corresponding location BEFORE installing.

Then carefully peel off the backing, align one foam edge to the mounting location, and press firmly across the foam surface to attach each piece.

4. Attach the discharge duct to enclosure.

- 4.1 Attach the left side discharge duct panel GM23744 to the enclosure using four M6 hex screws M6921-06016-60. Align the discharge duct panel flush with the enclosure corner. See Figure 4.
- 4.2 Attach the right side discharge duct panel GM23743 to the enclosure using four M6 hex screws M6921-06016-60. Align the discharge duct panel flush with the enclosure corner and level with the left side discharge duct panel.
- 4.3 Attach the top discharge duct panel GM23742 to the left and right side discharge ducts using four M6 hex screws M6921-06016-60 and nylon washers X-6278-14. Do not final tighten screws.
- 4.4 Attach the top discharge duct panel to the enclosure using four M6 hex screws M6921-06016-60.
- 4.5 Attach the front discharge duct panel GM23741 to the top discharge duct panel using four M6 hex screws M6921-06016-60 and nylon washers X-6278-14. Do not final tighten screws.
- 4.6 Attach the front discharge duct panel to the left and right side discharge ducts using six drill screws X-794-4 on each side.

- 4.7 Final tighten the top discharge panel screws.

5. Install the roof support channels.

- 5.1 Install the six support channels GM22793 to the bottom of the roof supports using nine drill screws X-794-4. See Figure 3.

6. Reinstall the doors.

- 6.1 Clean up, as necessary, all metal chips from installing the drill screws.
- 6.2 Replace the enclosure doors.

Parts Lists

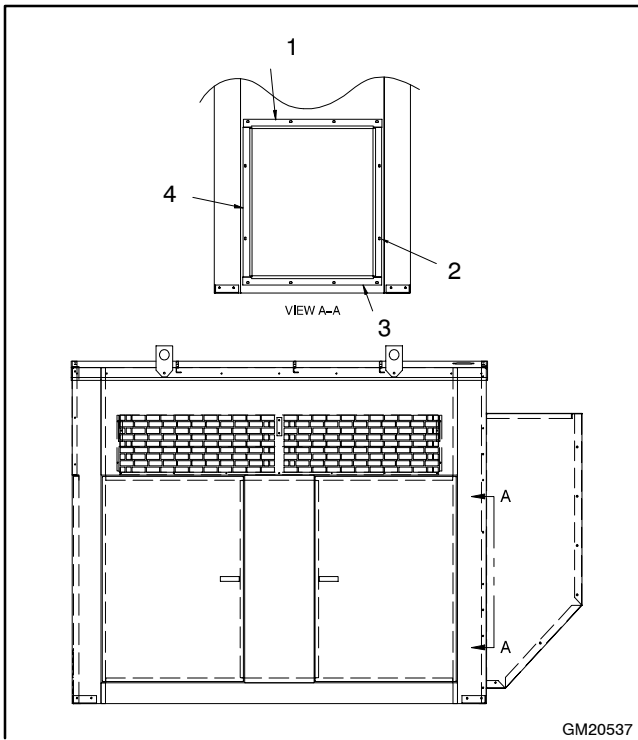
Sound Enclosure Upfit Kits

Note: See the illustrations in this document for item numbers.

Kits: GM20682-KP1, -KP3, -KP4, -KP7		
Item	Description	Model/Part No. (qty.) 20-125 kW
1	Duct, inner top	GM26130
2	Drill screw	X-794-14 (12)
3	Duct, inner bottom	GM26129
4	Duct, inner side	GM26131 (2)
5	Panel, discharge duct (left side)	GM23744
6	Panel, discharge duct (top)	GM23742
7	Screw, M6 hex flange	M6921-06010-60 (8)
8	Washer, nylon	X-6278-14 (8)
9	Screw, drill	X-794-14 (6 each side)
10	Panel, discharge duct (right side)	GM23743
11	Panel, discharge duct (front)	GM23741
12	Screw, M6 hex flange	M6921-06010-60 (12)
26	Drill screw	X-794-14 (9)
27	Channel, support	GM22793 (6)

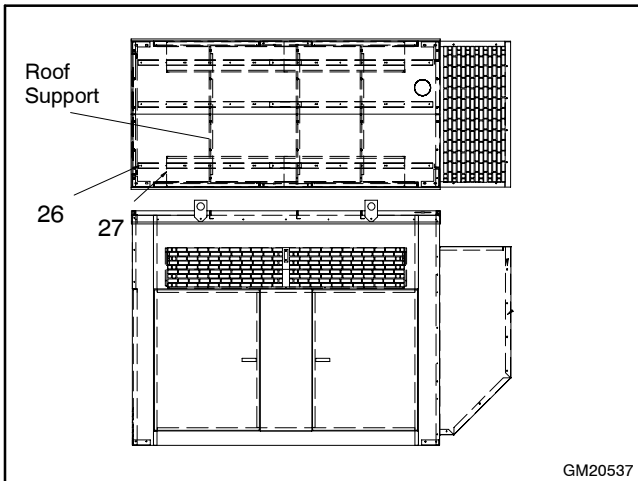
Item	Description	Model/Kit No./Part Number (qty.)			
		20-40 kW	50/60 kW	80 kW	100/125 kW
		GM20682-KP3	GM20682-KP1	GM20682-KP7	GM20682-KP4
13	Foam, roof	GM22771	GM22771	GM26061	GM26063
14	Foam, roof	GM22774	GM22773	GM22760	GM22773
15	Foam, roof	GM22774	GM22774	N/A	GM22773
16	Foam, roof (w/hole)	GM26059	GM22772	GM26060	GM26062
17	Foam, front panel	GM22764	GM22764	GM22764	N/A
18	Foam, duct	N/A	N/A	GM26056	GM26056
19	Foam, duct	N/A	N/A	GM26057	GM26057
20	Foam, duct	N/A	N/A	GM26058	GM26058
21	Foam, door	GM22766 (2)	GM22766 (2)	GM22766 (2)	GM22766 (2)
22	Foam, center panel	GM26037 (2)	GM22777 (2)	GM22777 (2)	GM26039 (2)
23	Foam, door	GM22766 (2)	GM22766 (2)	GM22766 (2)	GM22766 (2)
24	Foam, rear panel	GM22763	GM22763	GM22763	GM22763
25	Foam, rear upper panel	GM22762	GM22762	GM22762	N/A

N/A Not Applicable



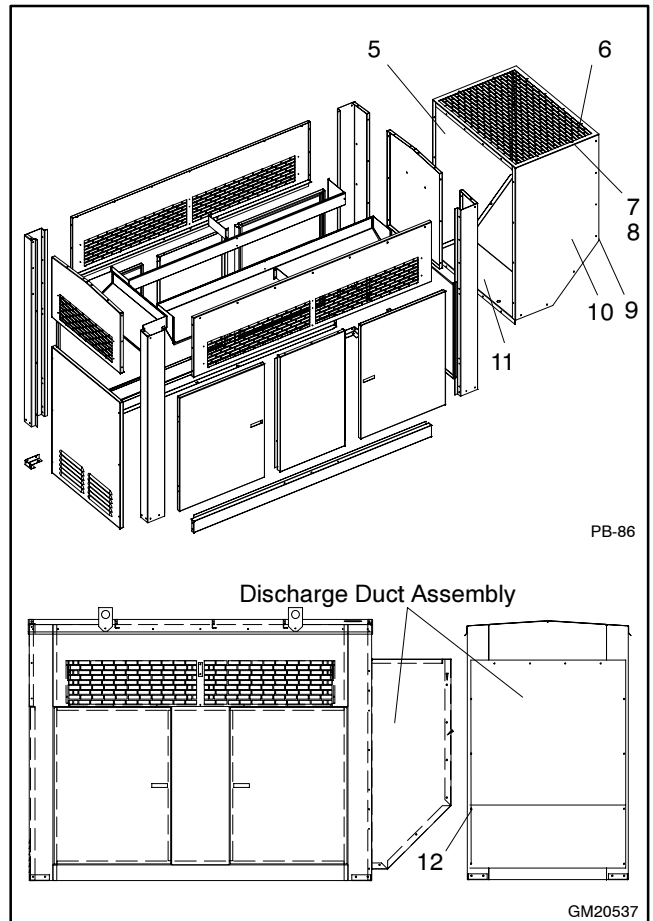
Item	Description	Model/Part Number (qty.) 20-125 kW
1	Duct, inner top	GM26130
2	Drill screw	X-794-14 (12)
3	Duct, inner bottom	GM26129
4	Duct, inner side	GM26131 (2)

Figure 2 Installing the Inner Duct Components



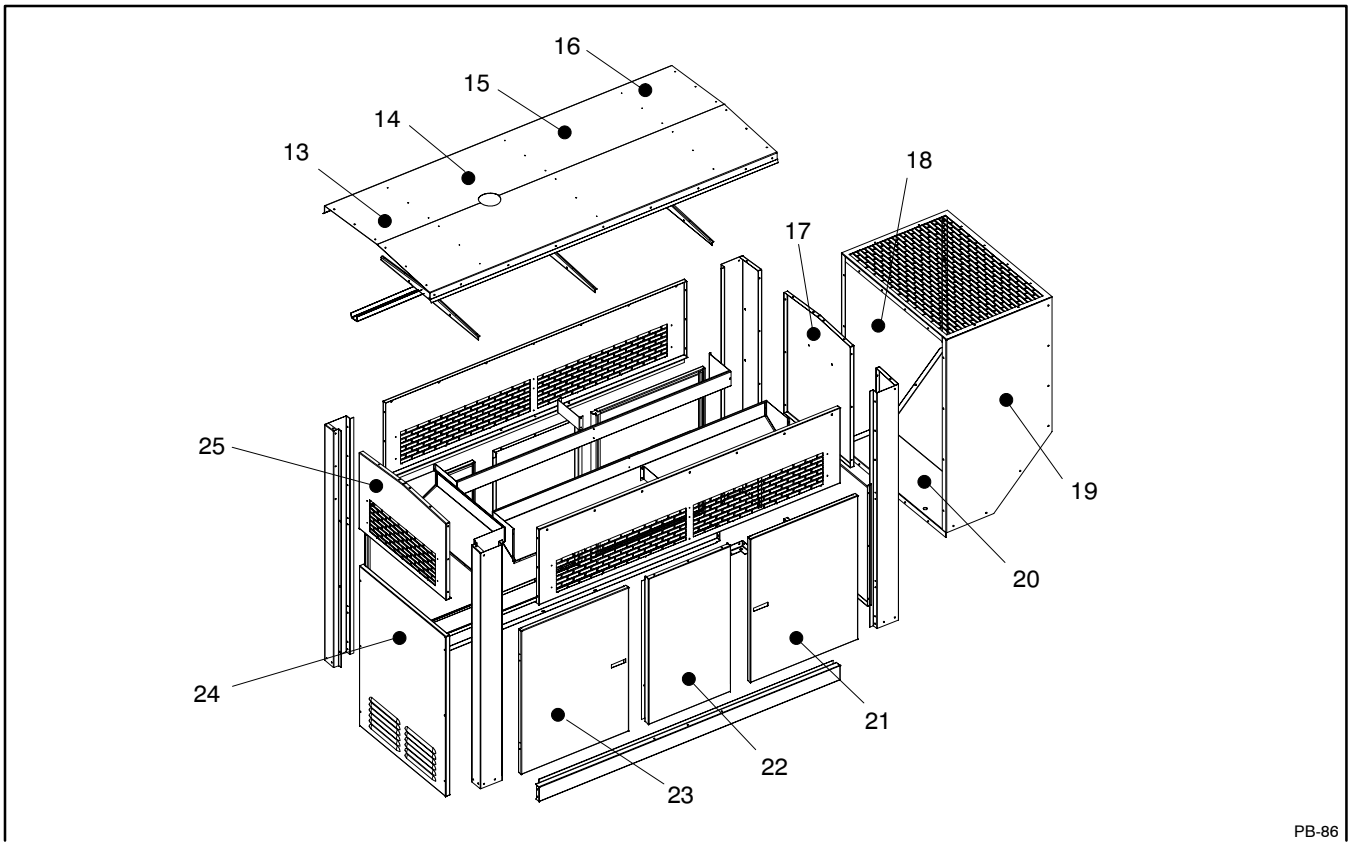
Item	Description	Model/Part Number (qty.) 20-125 kW
26	Drill screw	X-794-14 (9)
27	Channel, support	GM22793 (6)

Figure 3 Installing Roof Support Channels



Item	Description	Model/Part No. (qty.) 20-125 kW
5	Panel, discharge duct (left side)	GM23744
6	Panel, discharge duct (top)	GM23742
7	Screw, M6 hex flange	M6921-06010-60 (8)
8	Washer, nylon	X-6278-14 (8)
9	Screw, drill	X-794-14 (6 each side)
10	Panel, discharge duct (right side)	GM23743
11	Panel, discharge duct (front)	GM23741
12	Screw, M6 hex flange	M6921-06010-60 (12)

Figure 4 Assembling the Discharge Duct



PB-86

Item	Description	Model/Kit No./Part Number (qty.)			
		20-40 kW	50/60 kW	80 kW	100/125 kW
		GM20682-KP3	GM20682-KP1	GM20682-KP7	GM20682-KP4
13	Foam, roof	GM22771	GM22771	GM26061	GM26063
14	Foam, roof	GM22774	GM22773	GM22760	GM22773
15	Foam, roof	GM22774	GM22774	N/A	GM22773
16	Foam, roof (w/hole)	GM26059	GM22772	GM26060	GM26062
17	Foam, front panel	GM22764	GM22764	GM22764	N/A
18	Foam, duct	N/A	N/A	GM26056	GM26056
19	Foam, duct	N/A	N/A	GM26057	GM26057
20	Foam, duct	N/A	N/A	GM26058	GM26058
21	Foam, door	GM22766 (2)	GM22766 (2)	GM22766 (2)	GM22766 (2)
22	Foam, center panel	GM26037 (2)	GM22777 (2)	GM22777 (2)	GM26039 (2)
23	Foam, door	GM22766 (2)	GM22766 (2)	GM22766 (2)	GM22766 (2)
24	Foam, rear panel	GM22763	GM22763	GM22763	GM22763
25	Foam, rear upper panel	GM22762	GM22762	GM22762	N/A

N/A Not Applicable

Figure 5 Installing Foam Pieces