

INSTALLATION INSTRUCTIONS

Original Issue Date: 4/06

Model: 10/15/20REOD/REOZD and 20REOZDT Generator Sets

Market: Industrial

Subject: Battery Access Door Service Kit GM40633

Introduction

The battery originally recommended for models 10/15/20REOD/REOZD and 20REOZDT is no longer available. See Figure 1. Replacement battery 256985 is taller than original battery 324367 and requires a change to the ductwork on the enclosure's battery access door.

Enclosed and towable generator sets with serial numbers before 2089661 require a change in the ductwork on the battery access door when the battery is replaced. See Figure 2. Install service kit GM40633 to change the ductwork on the enclosure's battery access door.

Models with serial numbers 2089661 and above are factory-equipped with the updated door and do not require the service kit.

| Batteries | Original | Replacement |
|-------------|---|--|
| Part Number | 324367 kit PA-324553 | 256985 kit PA-256985 |
| Dimensions | 208 x 179 x 197 mm (8.2 x 7.1 x 7.8 in.) | 270 x 171 x 226 mm (10.6 x 6.8 x 8.9 in.) |

Figure 1 Battery Kits

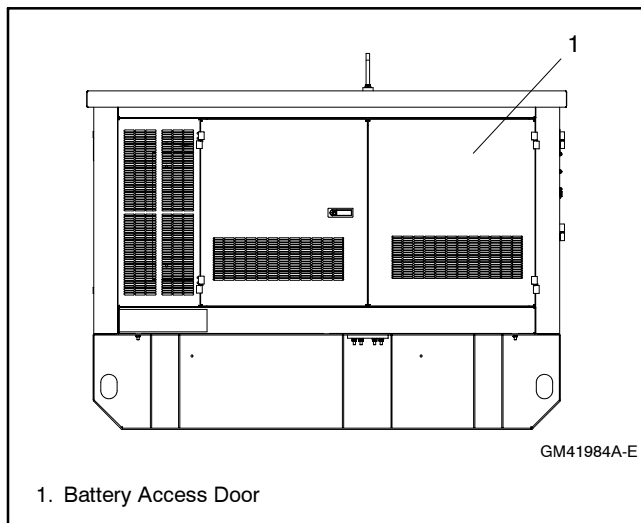


Figure 2 Battery Access Door (battery/starter side of generator set shown)

Tools Required

- Electric drill
- 3/16 in. drill bit
- Pop rivet gun with 3/16 in. tip

Safety Precautions

Observe the following safety precautions while installing the kit.

⚠ WARNING



Accidental starting.
Can cause severe injury or death.

Disconnect the battery cables before working on the generator set. Remove the negative (-) lead first when disconnecting the battery. Reconnect the negative (-) lead last when reconnecting the battery.

Disabling the generator set. Accidental starting can cause severe injury or death. Before working on the generator set or connected equipment, disable the generator set as follows: (1) Move the generator set master switch to the OFF position. (2) Disconnect the power to the battery charger. (3) Remove the battery cables, negative (-) lead first. Reconnect the negative (-) lead last when reconnecting the battery. Follow these precautions to prevent starting of the generator set by an automatic transfer switch, remote start/stop switch, or engine start command from a remote computer.

⚠ WARNING



**Airborne particles.
Can cause severe injury or
blindness.**

Wear protective goggles and clothing
when using power tools, hand tools,
or compressed air.

Installation Procedure

1. Place the generator set master switch in the OFF position.
2. Disconnect the power to the battery charger, if equipped.
3. Disconnect the generator set engine starting battery(ies), negative (-) lead first.
4. Remove the battery access door (left side, rear of the enclosure).
5. Drill out the rivets located at the top corners of the duct and at the bottom edge of the door. See Figure 3. The top panel of the duct will be reused.
6. Remove the existing side and bottom duct panels.
7. Remove metal chips and clean metal surfaces before assembly.
8. Assemble the right side (GM40629), left side (GM40628), and bottom (GM40627) duct panels using 8 rivets, X-781-19. See Figure 3.
9. Install the new foam (GM40664, GM40665, and GM40666) on the inside of the duct before riveting the duct to the door. See Figure 4.
10. Place the new duct onto the door and rivet into place using 5 rivets, X-781-19.
11. Reinstall the door.
12. Check that the generator set master switch is in the OFF position.
13. Reconnect the generator set engine starting battery, negative (-) lead last.
14. Reconnect power to the battery charger, if equipped.

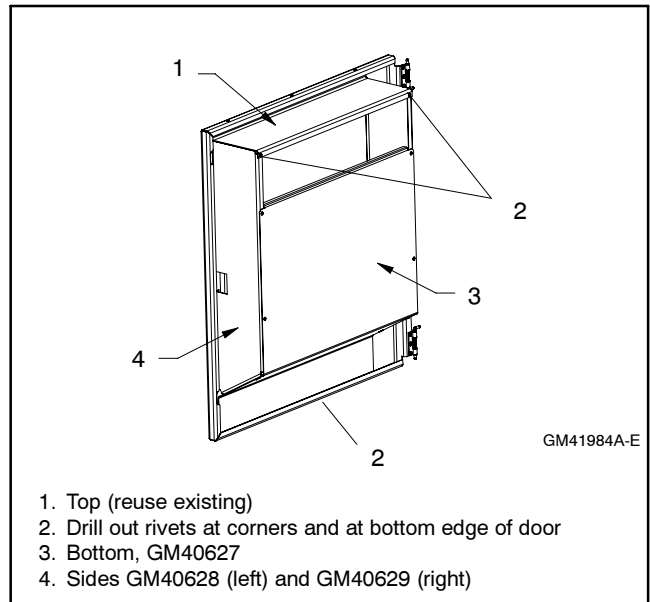


Figure 3 Battery Door Duct

1. Top (reuse existing)
2. Drill out rivets at corners and at bottom edge of door
3. Bottom, GM40627
4. Sides GM40628 (left) and GM40629 (right)

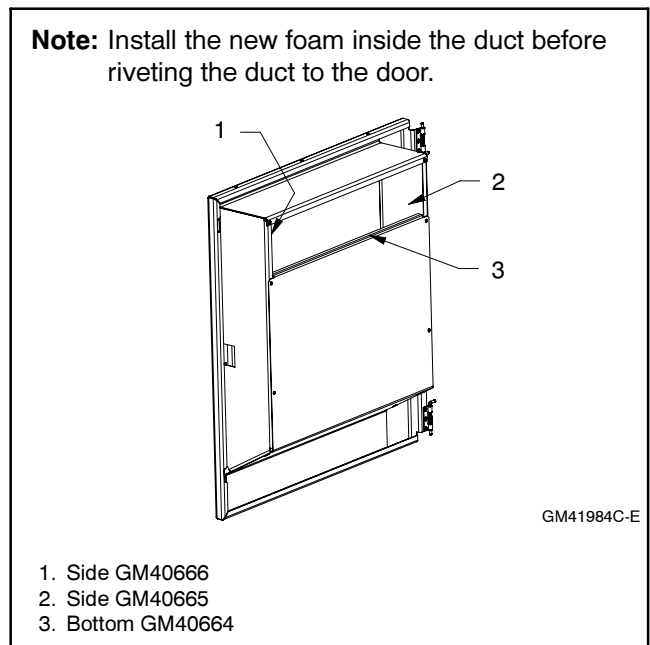


Figure 4 Foam Installation (inside the duct)

1. Side GM40666
2. Side GM40665
3. Bottom GM40664

Parts List

Battery Access Door

| Parts List | | |
|--------------|----------------------|-------------|
| Kit: GM40633 | | |
| Qty. | Description | Part Number |
| 1 | Duct, Bottom | GM40627 |
| 1 | Duct, Side | GM40628 |
| 1 | Duct, Side | GM40629 |
| 1 | Foam, Acoustic | GM40664 |
| 1 | Foam, Acoustic | GM40665 |
| 1 | Foam, Acoustic | GM40666 |
| 16 | Rivet, pop, .187 in. | X-781-19 |