

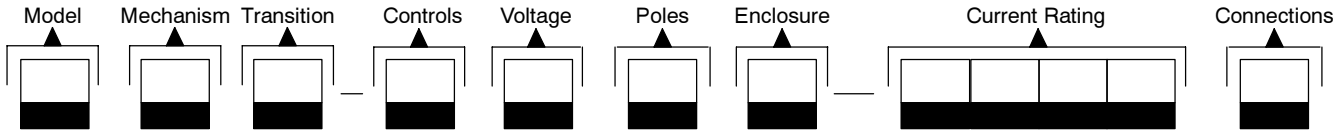
PARTS BULLETIN

Original Issue Date: 1/05
Models: Model RDT Automatic Transfer Switches
Market: ATS
Subject: Service Parts

Use this bulletin to determine part numbers of replacement parts for Model RDT Automatic Transfer Switches until the service and parts manual is available later this year. Locate the part on the drawings on the following pages and then use the tables to identify the replacement part number.

Transfer Switch Model Designation

The transfer switch model designation defines characteristics and ratings as explained in the accompanying chart.



Kohler® Model Designation Key

This chart explains the Kohler® transfer switch model designation system. The sample model designation shown is for a Model R automatic transfer switch that uses an open-transition contactor with MPAC™ 500 electrical controls rated at 240 volts/60 Hz, 2 poles, 3 wires, and solid neutral in a NEMA 1 enclosure with a current rating of 100 amperes and equipped with a load center.

SAMPLE MODEL DESIGNATION

RDT-CFNA-0100B

Model

R: Model R automatic transfer switch

Mechanism

D: Series-Rated

Transition

T: Open-Transition

Electrical Controls

C: MPAC™ 500 (Microprocessor ATS Controls)

Voltage/Frequency

D: 220 Volts/50 Hz
F: 240 Volts/60 Hz

Number of Poles/Wires

N: 2-pole, 3-wire, solid neutral

Enclosure

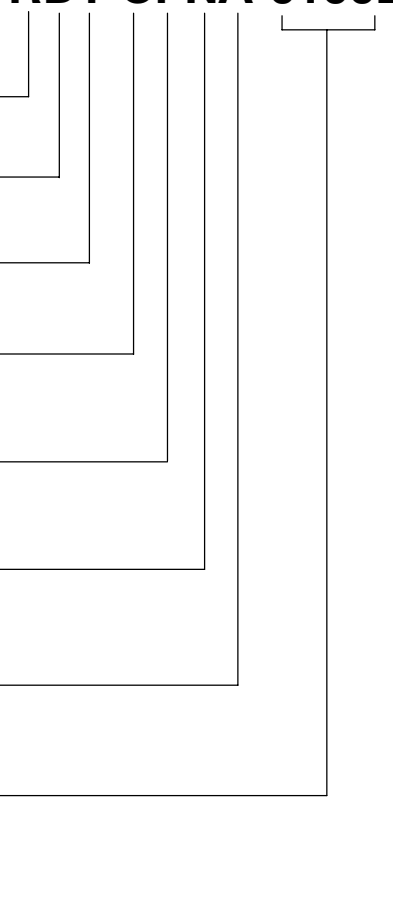
A: NEMA 1
C: NEMA 3R

Current Rating: Numbers indicate the current rating of the switch in amperes:

0100: 100 amps 0200: 200 amps 0400: 400 amps

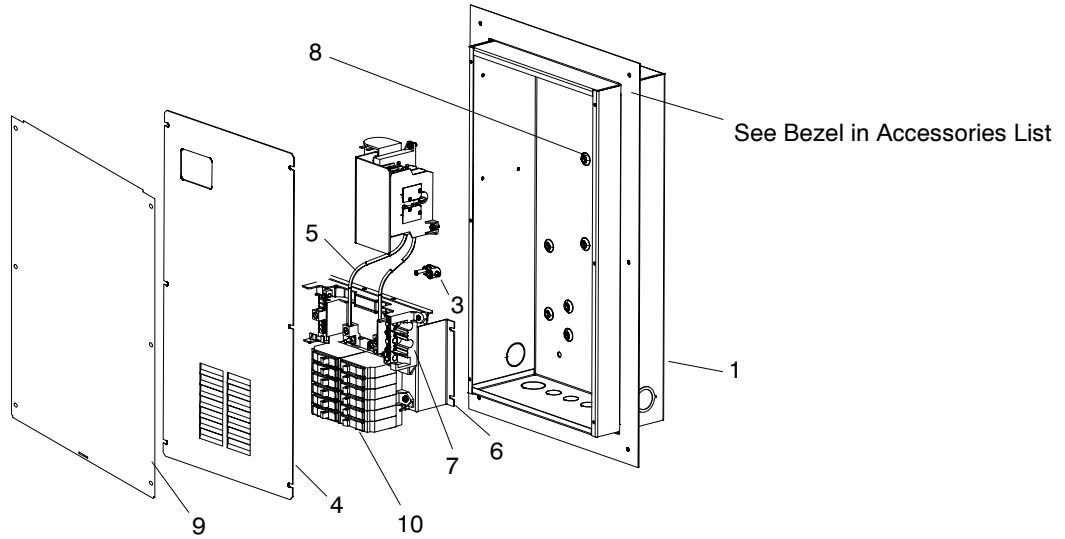
Load Center

A: Without load center
B: With load center (not available on 400 amp models)



Enclosure and Door, 100/200 Amp

Items not shown: 2



100/200 Amp

pb122_1

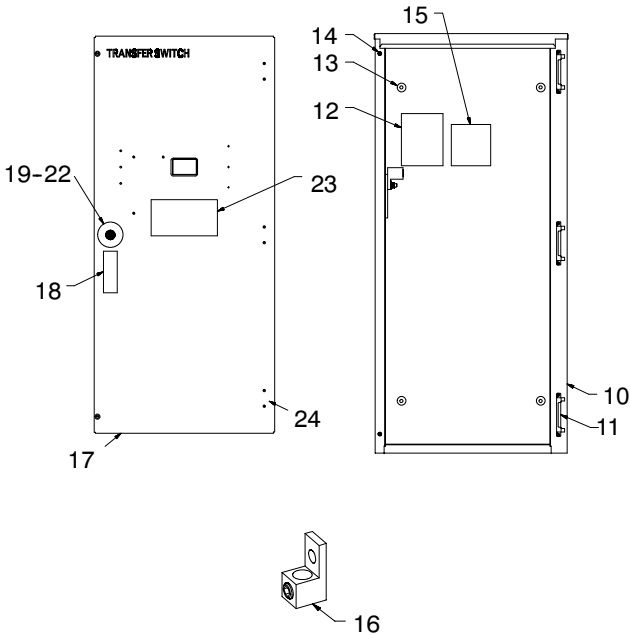
Item	Description	Part Number							
		Without Load Center				With Load Center			
		NEMA 1		NEMA 3R		NEMA 1		NEMA 3R	
		100 Amp	200 Amp	100 Amp	200 Amp	100 Amp	200 Amp	100 Amp	200 Amp
1	Enclosure, ATS	GM36132	GM36132	GM36211	GM36211	GM36132	GM36133	GM36211	GM36212
2	Decal, ATS ratings (not shown)	GM33005	GM33006	GM33005	GM33006	N/A	N/A	N/A	N/A
3	Lug	362126	362126	362126	362126	362126	362126	362126	362126
4	Cover	GM39387	GM39387	GM39392	GM39392	GM39388	GM39389	GM39393	GM39394
5	Cable, lead	N/A	N/A	N/A	N/A	GM39361	GM39362	GM39361	GM39362
6	Bracket, mounting	N/A	N/A	N/A	N/A	GM36152	GM36151	GM36152	GM36151
7	Base, load center	N/A	N/A	N/A	N/A	GM37536	GM37537	GM37536	GM37537
8	Gasket (qty. 4)	N/A	N/A	GM20990	GM20990	N/A	N/A	GM20990	GM20990
9	Cover	N/A	N/A	GM39390	GM39390	N/A	N/A	GM39390	GM39391
10	Circuit breakers. See not below.	N/A	N/A	N/A	N/A	N/A	N/A	N/A	N/A

N/A Not applicable

Note: Because the size and number of circuit breakers required will vary with each application, circuit breakers were not provided with the transfer switch.

Enclosure and Door, 400 Amp

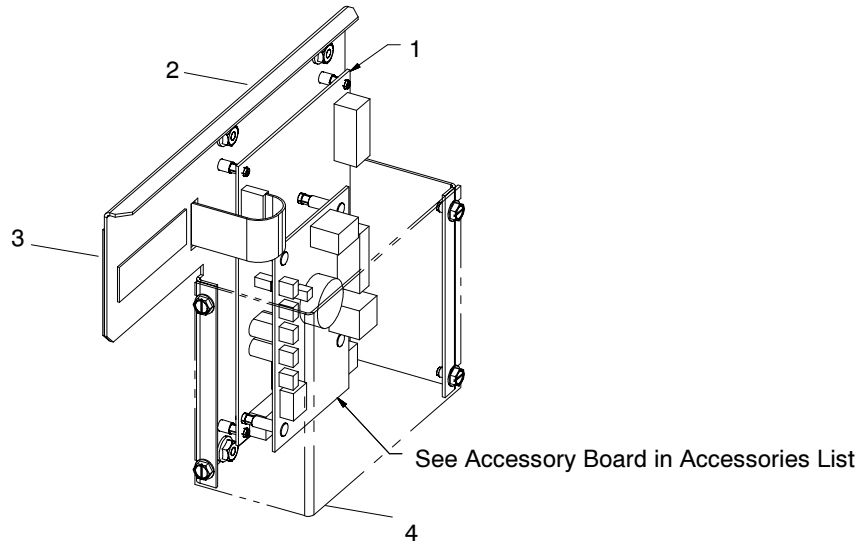
Items not shown: 25, 26, 27



pb122_2

Item	Part No.	Description	Quantity	
			NEMA 1	NEMA 3R
10	GM37626	Enclosure, ATS	1	1
11	GM20572-1	Hinge, ATS enclosure	3	3
12	GM32651	Decal, ATS rating	1	1
13	GM20990	Gasket	4	4
14	320828	Insert, threaded	2	2
14	295009	Retainer	2	2
15	294414	Decal, notice	1	1
16	X-6207-3	Lug	1	1
17	GM37627	Door, enclosure	1	
17	GM38438	Door, enclosure		1
18	362176	Decal, danger	1	1
19	GM20576	Bracket, padlock	1	1
20	GM20573	Latch	1	1
21	GM20575	Gasket, latch	1	1
22	GM20574	Keys	1	1
23	GM39381	Decal, UIF	1	1
24	GM20572-2	Hinge, ATS door	3	3
25	297556	Decal, torque (not shown)	1	1
26	344295	Decal, equipment ground (not shown)	1	1
27	297721	Decal, CSA (not shown)	1	1

Logic

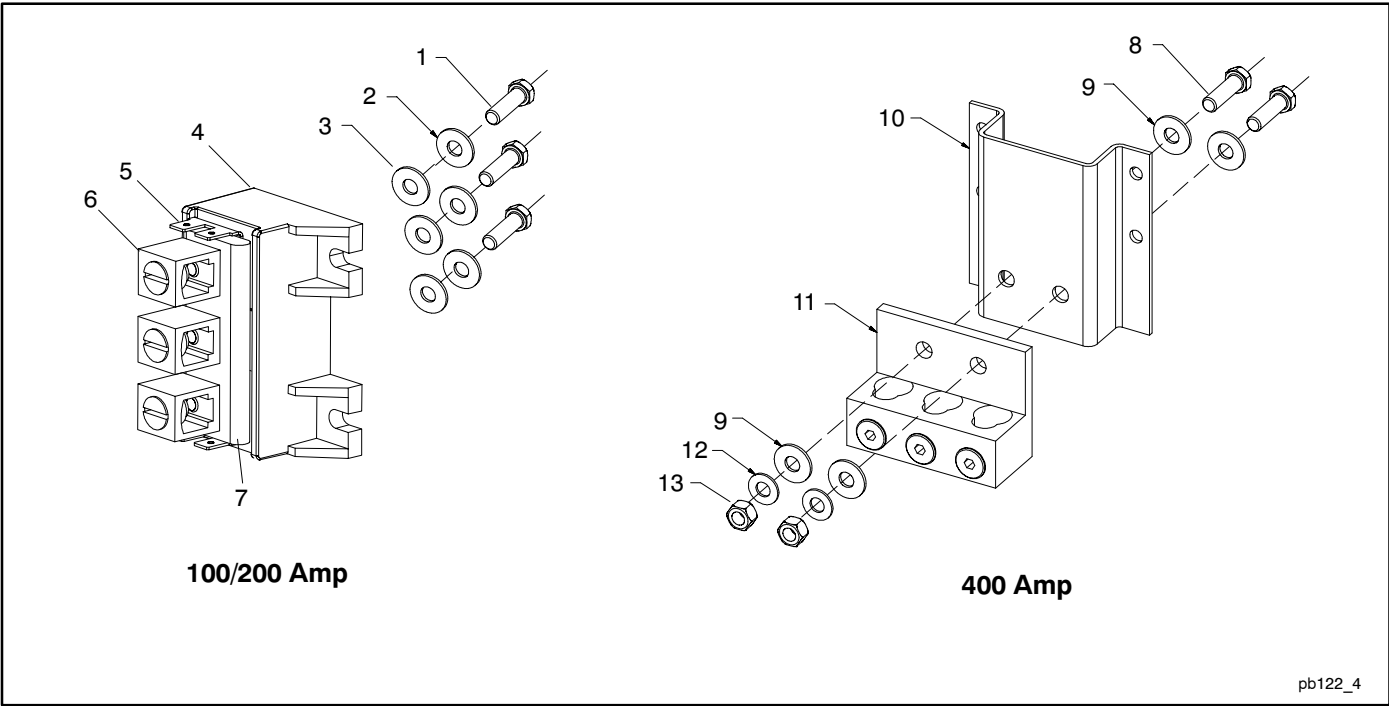


400 Amp Shown

pb122_3

Item	Part No.	Description	Quantity	
			100/200 Amp	400 Amp
1	GM35950	PCB assy, MPAC 500 logic board	1	1
2	GM37541	Bracket, controller mtg.	1	
2	GM37628	Bracket, controller mtg.		1
3	GM38355	Membrane switch/LED	1	1
4	GM38436	Guard, controller	1	1

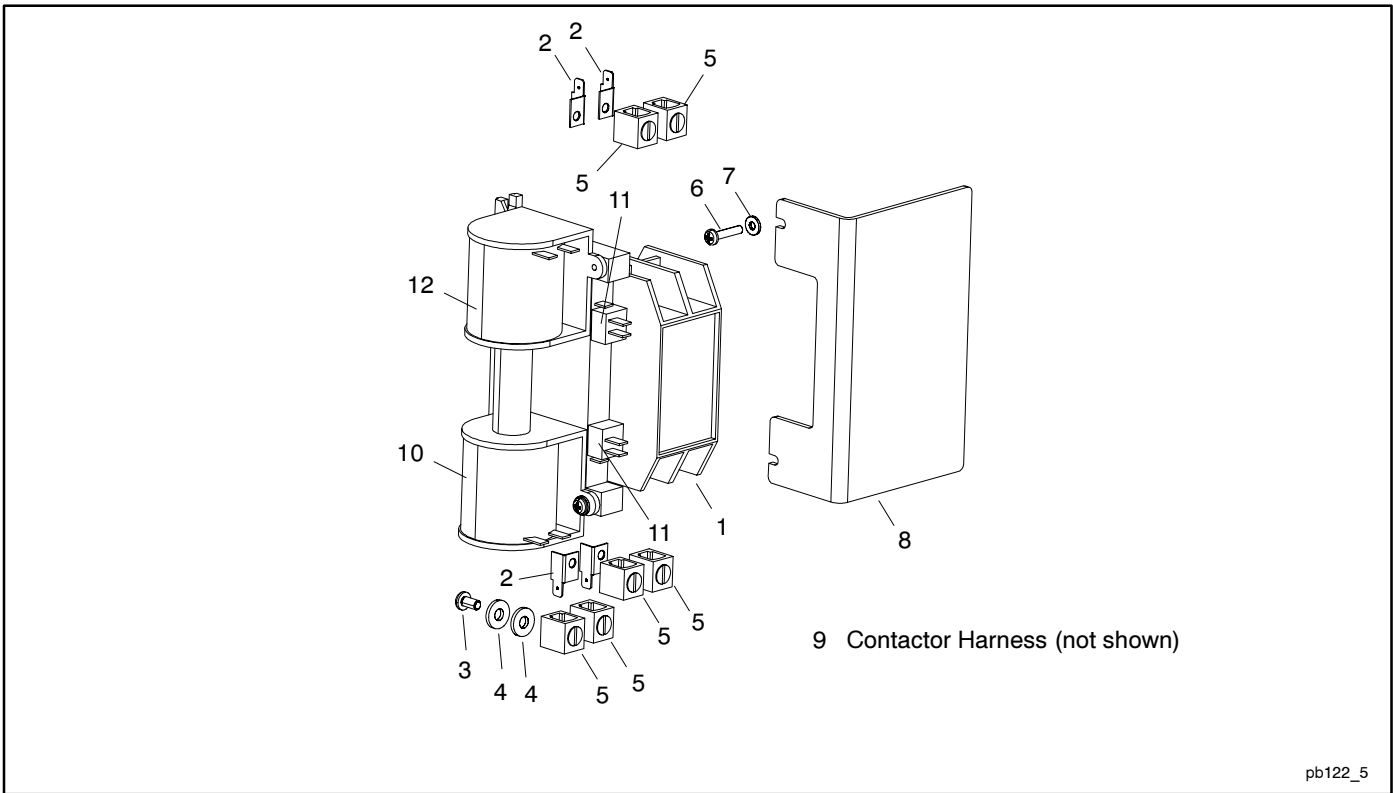
Neutral Assembly



pb122_4

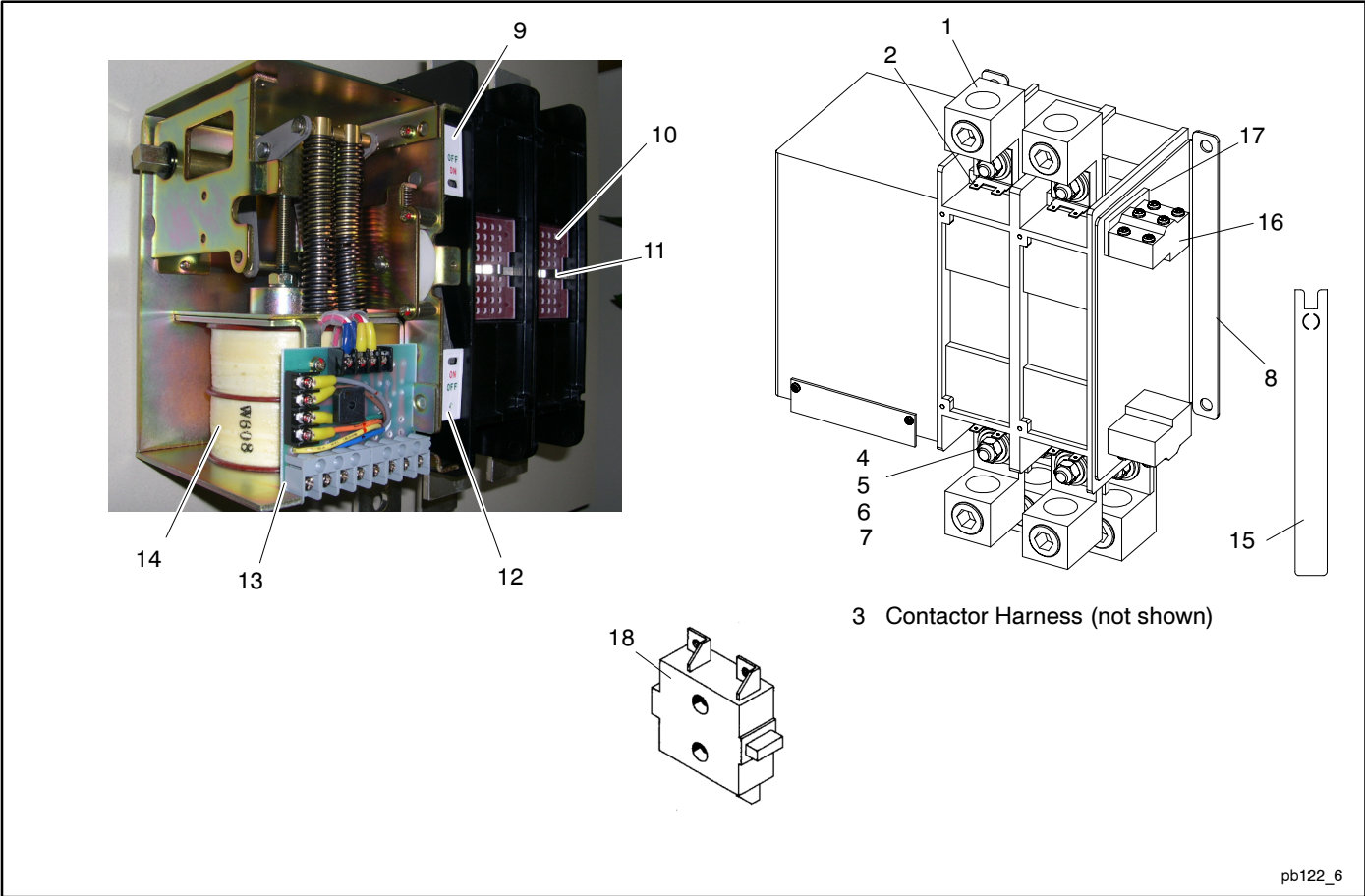
Item	Part Number	Description	Quantity		
			100 A	200 A	400 A
1	X-50-4	Screw, pan head	3		
1	X-465-16	Bolt, hex cap		3	
2	X-6086-23	Washer	3		
2	X-6086-24	Washer		3	
3	X-25-36	Washer, plain	3		
3	X-25-20	Washer, plain		3	
4	GM36201	Base, neutral	1	1	
5	GM31854	Terminal, ATS lug sensing (2)	2	2	
6	GM28412	Lug, terminal	3		
6	297712	Lug, terminal		3	
7	GM36202	Bus, neutral	1		
7	GM36203	Bus, neutral		1	
8	X-6238-4	Bolt, hex cap			2
9	X-25-118	Washer, plain			4
10	GM25826	Bracket, neutral mtg.			1
11	X-6207-14	Lug, terminal			1
12	X-6086-6	Washer, spring			2
13	X-83-7	Nut, hex			2

Contactors, 100/200 Amp



Item	Part Number	Description	Quantity	
			100 A	200 A
1	GM28402	Contactors, 100A, 2P, 240V (includes items 10, 11, 12)	1	
1	GM28406	Contactors, 200A, 2P, 240V (includes items 10, 11, 12)		1
2	GM31593	Terminal, ATS lug sensing	6	
3	X-50-2	Screw, pan head, 10-32 x 3/8	6	
3	X-465-6	Bolt, hex cap		6
4	X-25-36	Washer, plain	6	
4	X-25-20	Washer, plain		6
4	X-6086-23	Washer, spring	6	
4	X-6086-24	Washer, spring		6
5	GM28412	Lug, terminal	6	
5	297712	Lug, terminal		6
6	M7985A-04020-20	Screw	2	
7	X-25-9	Washer	2	
8	GM29825	Guard, contactor	1	
9	GM37646	Harness, contactor (not shown)	1	
9	GM37647	Harness, contactor (not shown)		1
10	GM29864	Coil (lower)	1	
10	GM29865	Coil (lower)		1
11	GM29867	Switch, limit	2	2
12	GM29863	Coil (upper)	1	
12	GM29865	Coil (upper)		1

Contactor, 400 Amp



pb122_6

Item	Part No.	Description	Qty.
1	X-6207-9	Lug, terminal	6
2	GM31855	Terminal, ATS lug sensing	4
3	GM38321	Harness, contactor (not shown)	1
4	X-25-118	Washer, plain	12
5	X-6086-6	Washer, spring	6
6	X-83-7	Nut, hex	6
7	X-6238-4	Bolt, hex cap	6
8	GM37643	Contactor, 400A, 2P, 240V	1
9	GM32486	OFF-ON indicator	1
10	GM32479	Arc Chute	2
11	GM32482	Clip, arc chute	2
12	GM32487	ON-OFF indicator	1
13	GM40187	PCB, bridge rectifier	1
14	GM32492	Coil	1
15	GM32475	Handle	1
16	GM32485	Aux. switch	2
17	GM32484	Insulating barrier for aux. switch	2
18	GM32483	Control switch	2

Qty.	Description	Part Number
------	-------------	-------------

Literature

1	Warranty, 1-year limited	TP-5373
1	Warranty, 2-year extended	TP-6265
1	O/I/M Model RDT ATS	TP-6345
1	S/M RDT ATS	TP-6346
1	Template, MPAC 500 mounting	G25-15

Accessories

Accessory Board **GM38796-KA1**

1	Header, PCB pin, 4-position, gold	GM38445
1	PCB assembly, time delay option	GM39650

Programmable Exerciser, 100/200 Amp **GM38798-KA1**

2	Terminal, ATS lug sensing	GM31593
1	Bracket, timer mounting	GM38801
1	Control, time electronic	GM39330
1	Diagram, wiring	GM39331
1	Installation instructions, programmable exerciser	TT-1403

Programmable Exerciser, 400 Amp **GM40033-KA1**

2	Terminal, ATS lug sensing	GM31855
1	Bracket, timer mounting	GM40024
1	Control, time electronic	GM39330
1	Diagram, wiring	GM39331
1	Installation instructions, programmable exerciser	TT-1403

Auxiliary Contacts **GM29856-KA1**

2	Switch, contactor aux.	362081
2	Insulator, contactor aux. switch	362203
4	Screw, slotted pan head machine	X-49-41

Padlockable User Interface Cover, 400 A Only **GM22703-KA5**

2	Bracket, padlock	GM20576
1	Cover, security	GM22504
1	Bracket, latch	GM22533
1	Latch, compression (key operated)	GM22534
1	Key, compression latch	GM20574
1	Installation instructions, user interface cover	TT-1319

Bezel, 100/200 A w/out Load Center and 100 A with Load Center **GM38799-KP2**

1	Bezel, ATS	GM38810
6	Screw, tapping	X-67-156