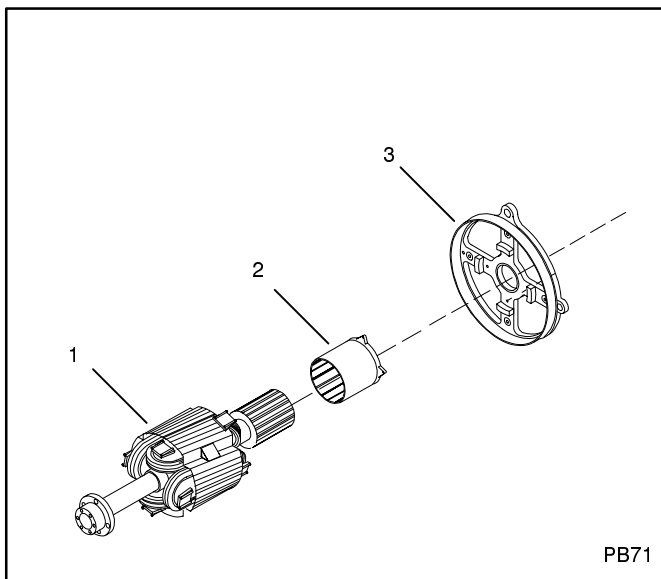


PARTS BULLETIN

Original Issue Date: **7/97**
 Model: **60-100RZ**
 Market: **Industrial**
 Subject: **Field Exciter Assembly Correction**

Parts Catalog TP-5614 lists the wrong field exciter assembly part number for some generator set specifications. See Figure 1 for an illustration of the field exciter assembly. Choose the correct part number from the chart below. Please make a note of the correction in Parts Catalog TP-5614 4/96, 50-100RZ, page 61, item 33.



- 1. Rotor Assembly
- 2. Field Exciter Assembly
- 3. End Bracket

Figure 1. Alternator Components

Generator Set Specification	Field Exciter Part Number
60RZ	
187077	276657
187080	276657
70RZ	
187272	276657
187273	276657
187274	276657
187275	276657
187276	276657
187277	276657
80RZ	
187341	276657
187342	276657
187343	276657
187344	276657
187345	276657
187346	276657
100RZ	
187441	276657
187442	276657
187443	276657
187444	276657
187445	276657
187446	276657

Routing	Service Manager	Sales Manager	Parts Manager	Technician No. 1	Technician No. 2	Technician No. 3	Return This to
Initial Here							