

**PARTS BULLETIN**

Original Issue Date: **9/97**

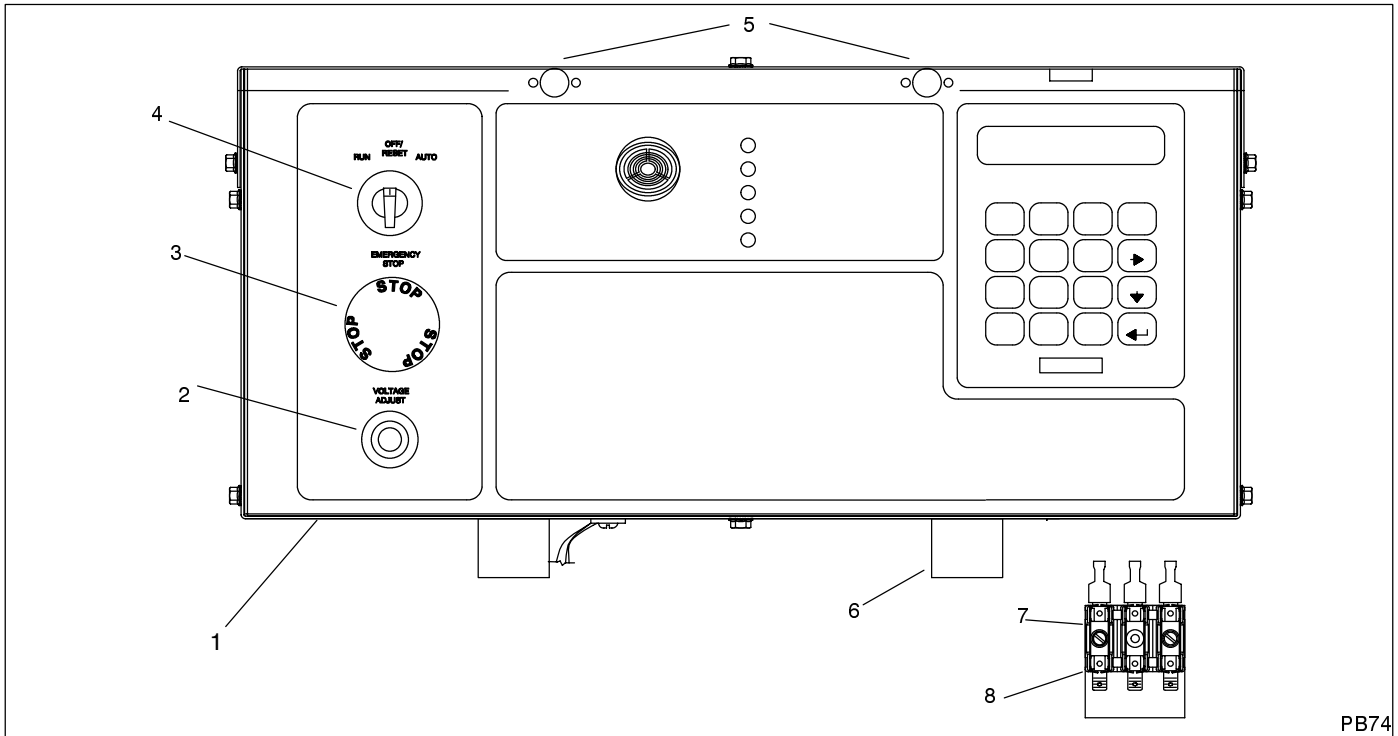
Model: **20-2000 kW with Decision-Maker™ 340 Controller**

Market: **Industrial Generator Sets**

Subject: **Service Parts**

Use this bulletin to determine replacement part numbers of Kohler Decision-Maker™ 340 controllers until parts catalogs are updated to include the controllers. Locate the part on the drawing and then use the table to choose the replacement part. Internal controller components not

shown are not serviceable individually. Order Decision-Maker™ 340 controller retrofit kit PA-354267 to replace components not listed. Parts catalogs will reflect the new controllers as the parts catalogs are updated.



PB74

**Figure 1. Decision-Maker 340 Controller**

**Controller Part Numbers**

Item	Description	Part Number		
		20-180 kW, 12V	350-2000 kW, 24V	20-300 kW, 24V
1	Controller Assembly	PA-354267	PA-354267	PA-354267
2	Potentiometer, voltage adjustment	A-328774	N/A	A-328774
2	Knob, potentiometer	X-6136-39	N/A	X-6136-39
2	Plug, button	N/A	X-301-23	N/A
3	Switch, emergency stop	292364	292364	292364
4	Switch, selector	347969	347969	347969
5	Lamp, panel (2)	255126	283420	283420
6	Bumper (4)	292834	292834	292834
7	Holder, fuse	292821	292821	292821
8	Fuse, 1.5 amp, 250 volt (3)	291207	291207	291207

N/A Not Applicable

Routing	Service Manager	Sales Manager	Parts Manager	Technician No. 1	Technician No. 2	Technician No. 3	Return This to
Initial Here							