

PARTS BULLETIN

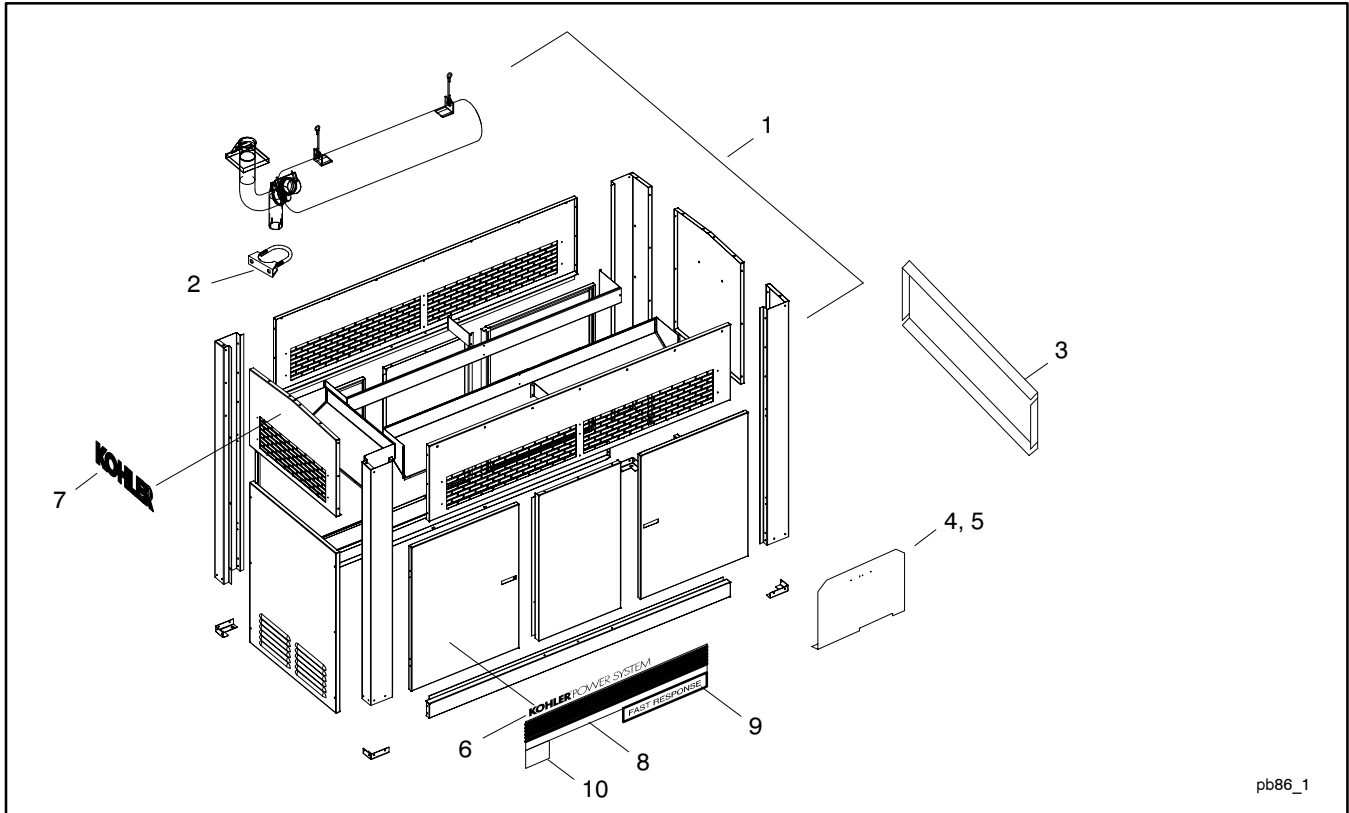
Original Issue Date: 11/01

Model: 30-125RZG

Market: Industrial

Subject: Weather Housing and Sound Enclosure Service Parts

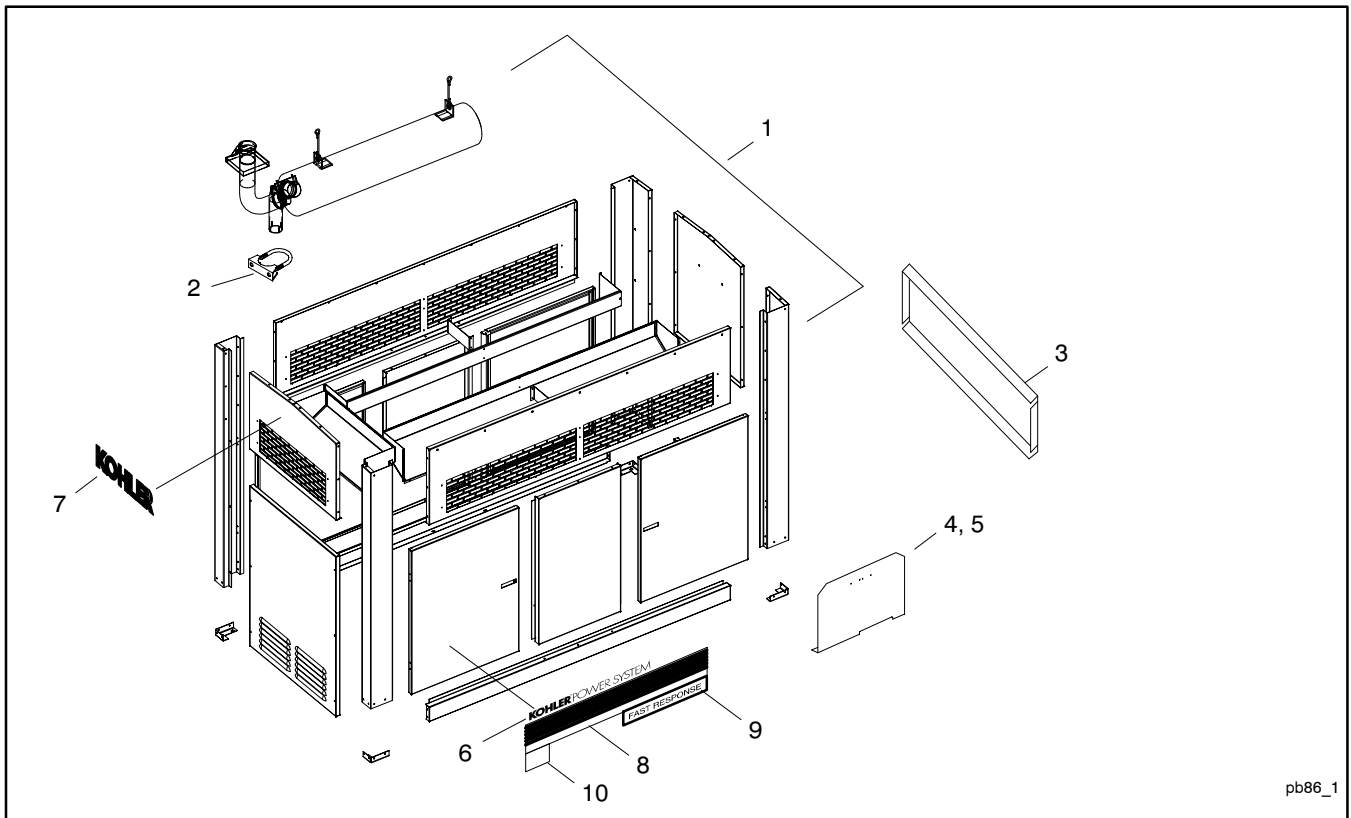
Use this bulletin to determine replacement part numbers of Kohler 30-125RZG weather and sound enclosures.



pb86_1

Item	Part No.	Description	Quantity		
			30-60 kW	80/100 kW	125 kW
1	-	Enclosure (See chart 1 on following page)	1	1	1
2	286283	Clamp, exhaust	1		
2	286286	Clamp, exhaust		1	
2	X-722-10	Clamp, exhaust			1
3	364050-KCB	End cap, skid	2	2	
4	GM21564	Shield, heat			2
5	X-400-249	Spacer			2
6	X-6246-1	Decal, logo Kohler Power System	2	2	2
7	X-6275-3	Decal, logo	2	2	2
8	X-6232-6	Decal, stripe	2	2	2
9	273739	Decal, Fast Response	2	2	2
10	-	Decal, rating (See chart 2 on following page)	1	1	1

Routing	Service Manager	Sales Manager	Parts Manager	Technician No. 1	Technician No. 2	Technician No. 3	Return This to
Initial Here							



pb86_1

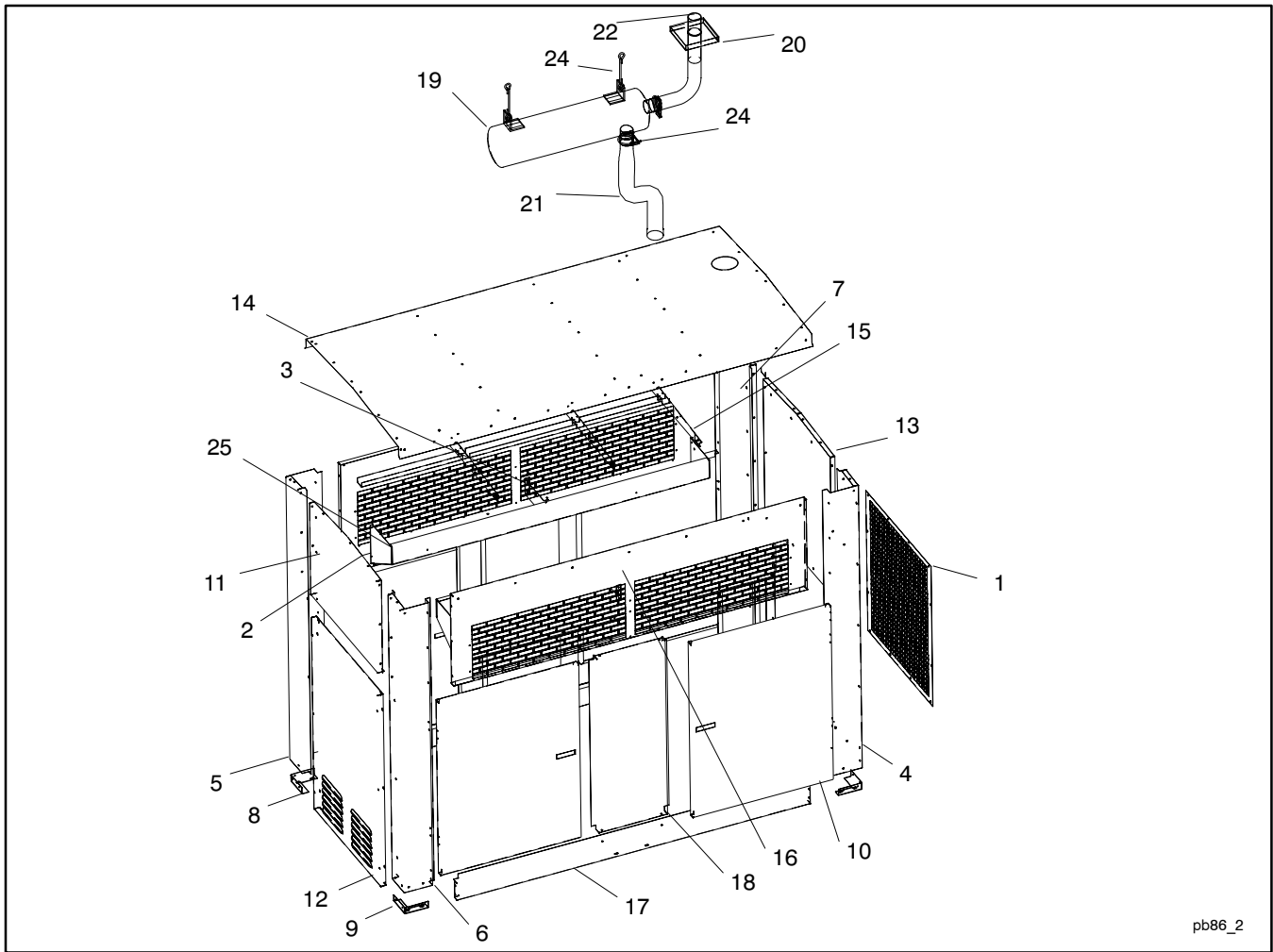
Chart 1: Enclosure Part Number

kW	Kit Number	Part Number	
		Weather Enclosure	Sound Shield Enclosure
30-60	GM20541-KA1	GM20535	-
	GM20599-KA1	-	GM20537
80/100	GM20541-KA2	GM20539	-
	GM20599-KA2	-	GM20597
125	GM20541-KA3	GM21118	-
	GM20599-KA3	-	GM21102

See following pages for enclosure service parts.

Chart 2: Rating Decal

kW	Part Number
20	X-6347-20
30	X-6347-17
35	X-6347-1
40	X-6347-2
45	X-6347-3
50	X-6347-4
60	X-6347-5
80	X-6347-35
100	X-6347-9
125	X-6347-21

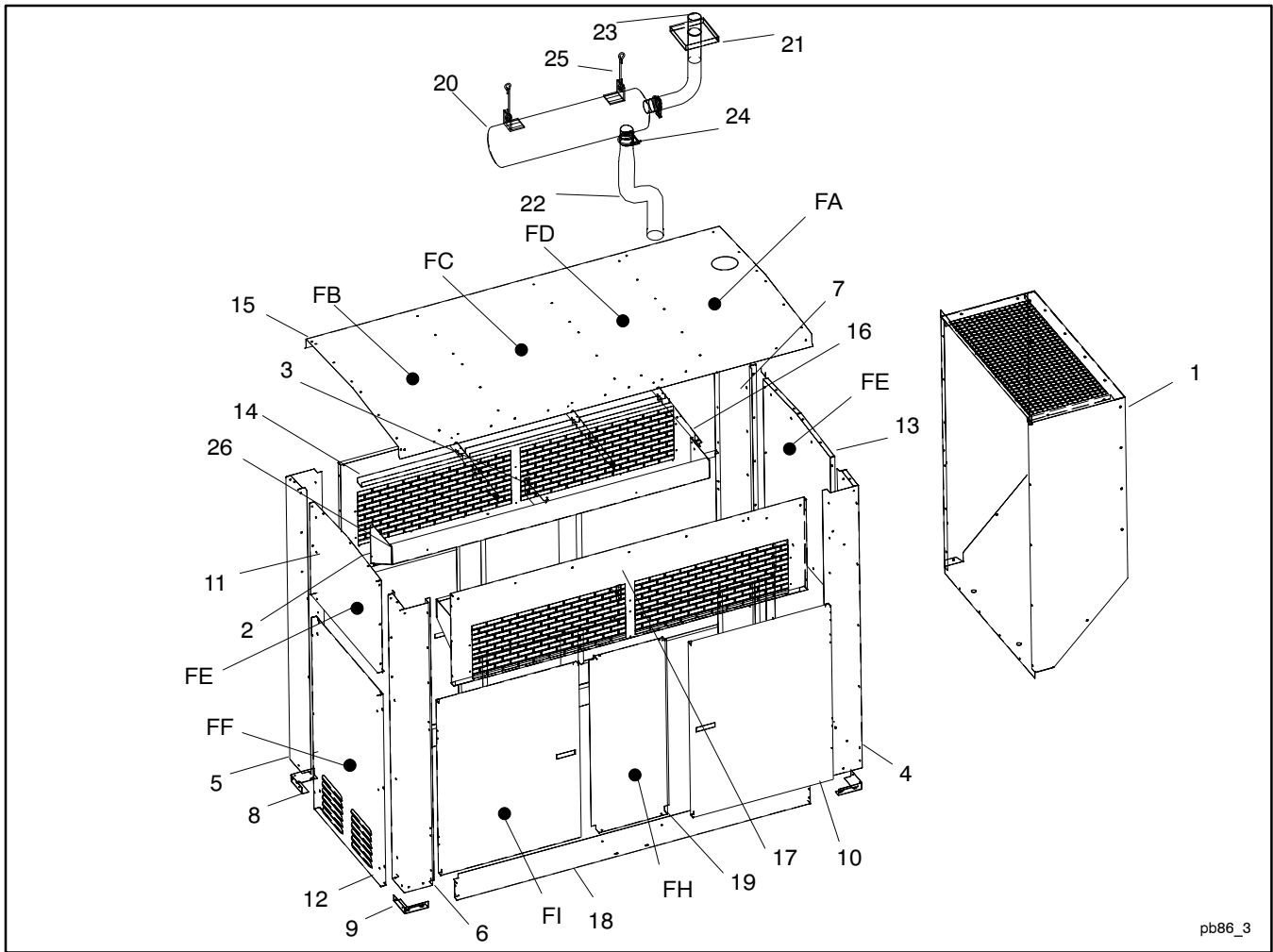


pb86_2

30-60RZG Weather Enclosure

Part Number GM20535

Item	Part No.	Description	Qty.
1	GM22802	Guard, radiator	1
2	GM22800	Baffle, air intake	2
3	GM22792	Baffle, brace	2
4	GM22803	Corner support, housing	1
5	GM22804	Corner support, housing	1
6	GM22805	Corner support, housing	1
7	GM22806	Corner support, housing	1
8	GM22782	Bracket, corner support	2
9	GM22783	Bracket, corner support	2
10	GM22788	Door, side	4
11	GM22807	Panel, upper rear	1
12	GM22790	Door, rear	1
13	GM22801	Panel, front	1
14	GM22812	Roof	1
15	GM22781	Support, roof	3
16	GM22813	Panel, upper air intake	2
17	GM22814	Panel, lower base	2
18	GM22789	Panel, center	2
19	GM22779	Silencer	1
20	GM22758	Elbow, exhaust	1
21	GM22756	Tube, exhaust	1
22	GM22752	Cap, rain	1
23	X-722-2	Clamp, exhaust 2 1/2 in.	2
24	GM22778	Cable, silencer	2
25	GM22791	Baffle, end cap	4



30-60RZG Sound Shield Enclosure

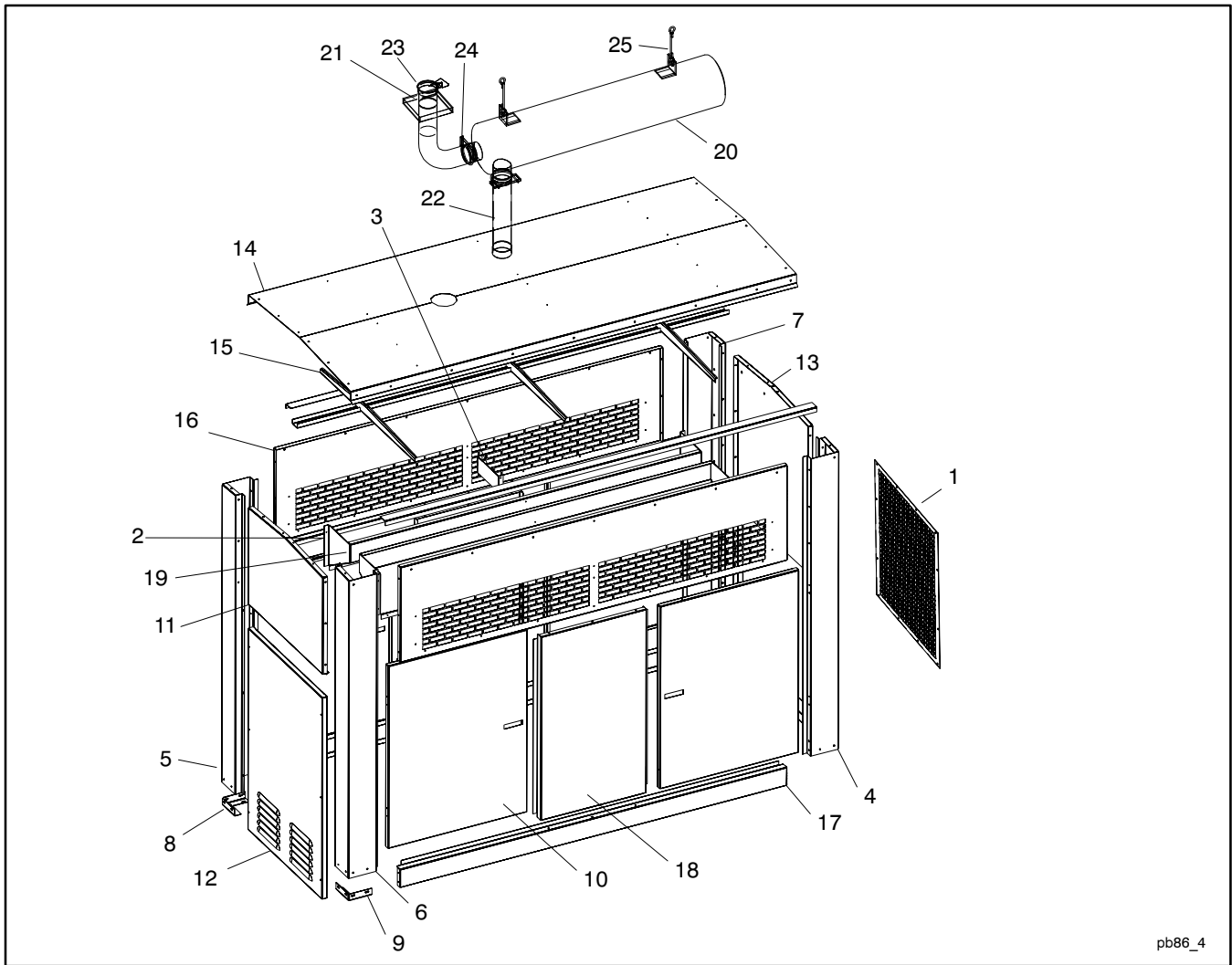
Part Number GM20537

Item	Part No.	Description	Qty.
1	GM22786	Hood assembly	1
2	GM22800	Baffle, air intake	2
3	GM22792	Baffle, brace	2
4	GM22803	Corner support, housing	1
5	GM22804	Corner support, housing	1
6	GM22805	Corner support, housing	1
7	GM22806	Corner support, housing	1
8	GM22782	Bracket, corner support	2
9	GM22783	Bracket, corner support	2
10	GM22788	Door, side	4
11	GM22807	Panel, upper rear	1
12	GM22790	Door, rear	1
13	GM22801	Panel, front	1
14	GM22793	Channel, support	6
15	GM22812	Roof	1
16	GM22781	Support, roof	3
17	GM22813	Panel, upper air intake	2
18	GM22814	Panel, lower base	2
19	GM22789	Panel, center	2
20	GM22779	Silencer	1
21	GM22758	Elbow, exhaust	1
22	GM22756	Tube, exhaust	1
23	GM22752	Cap, rain	1
24	X-722-2	Clamp, exhaust 2 1/2 in.	2
25	GM22778	Cable, silencer	2
26	GM22791	Baffle, end cap	4

Upfit Kit

Kit Part Number: GM20682-KP1

Item	Part No.	Description	Qty.
FA	GM22772	Foam, 20.75 x 39 with hole	1
FB	GM22771	Foam, 20.75 x 39	1
FC	GM22773	Foam, 24.25 x 39	1
FD	GM22774	Foam, 17.75 x 39	1
FE	GM22762	Foam, 22 x 30	1
FF	GM22775	Foam, 29.75 x 31.5	1
FG	GM22776	Foam, 29.75 x 33	1
FH	GM22777	Foam, 14.25 x 40 (aluminized)	2
FI	GM22766	Foam, 29.5 x 39.5 (aluminized)	4
1	GM22786	Hood assembly	1

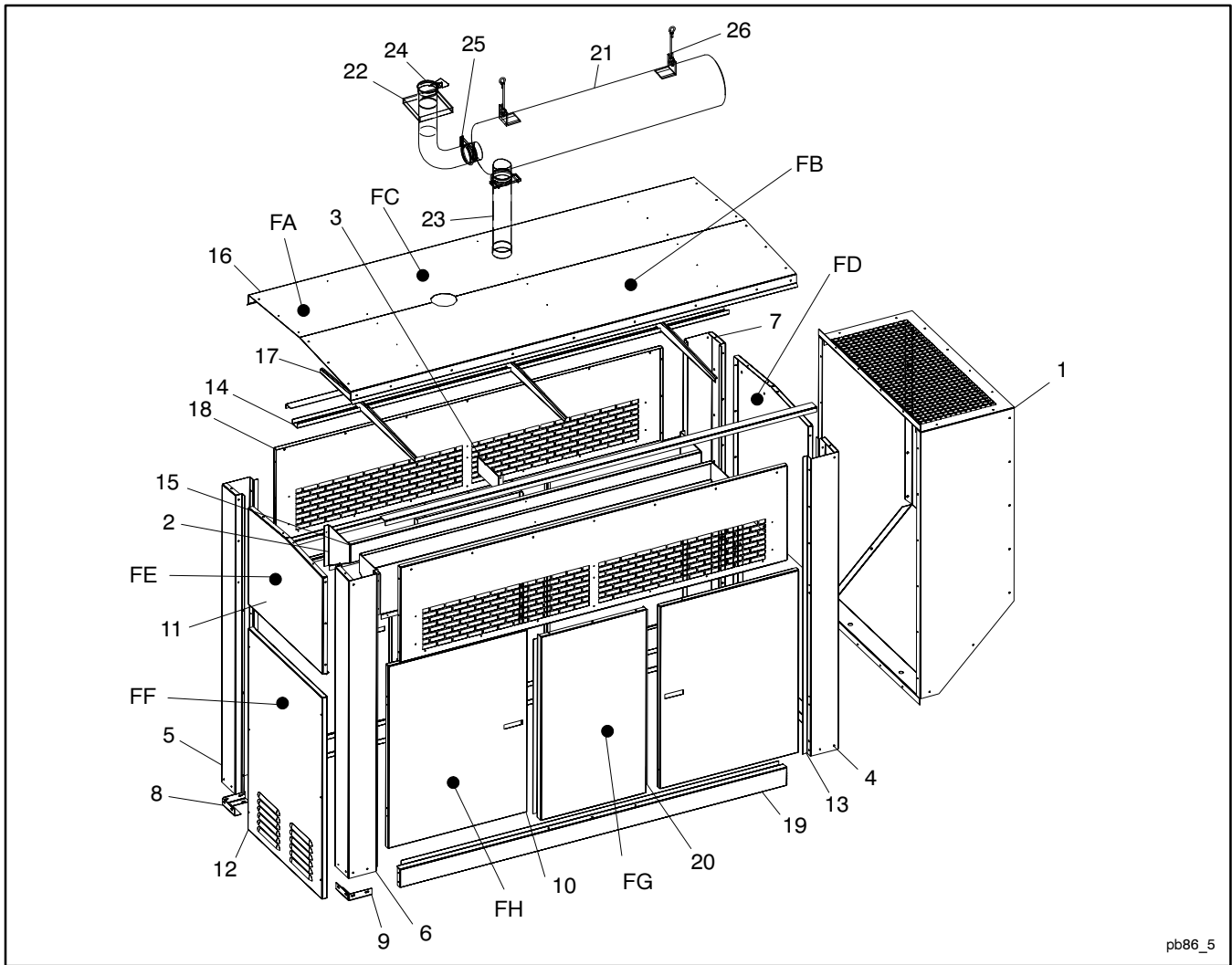


pb86_4

80-100RZG Weather Enclosure

Part Number GM20539

Item	Part No.	Description	Qty.
1	GM22802	Guard, radiator	1
2	GM22794	Baffle, air intake	2
3	GM22792	Baffle, brace	2
4	GM22803	Corner support, housing	1
5	GM22804	Corner support, housing	1
6	GM22805	Corner support, housing	1
7	GM22806	Corner support, housing	1
8	GM22782	Bracket, corner support	2
9	GM22783	Bracket, corner support	2
10	GM22788	Door, side	4
11	GM22807	Panel, upper rear	1
12	GM22790	Door, rear	1
13	GM22801	Panel, front	1
14	GM22809	Roof	1
15	GM22781	Support, roof	3
16	GM22810	Panel, upper air intake	2
17	GM22811	Panel, lower base	2
18	GM22795	Panel, center	2
19	GM22791	Baffle, end cap	4
20	GM22780	Silencer	1
21	GM22755	Elbow, exhaust	1
22	GM22754	Tube, exhaust	1
23	GM22753	Cap, rain	1
24	286286	Clamp, exhaust 3 1/2 in.	2
25	GM22778	Cable, silencer	2



pb86_5

80-100RZG Sound Shield Enclosure

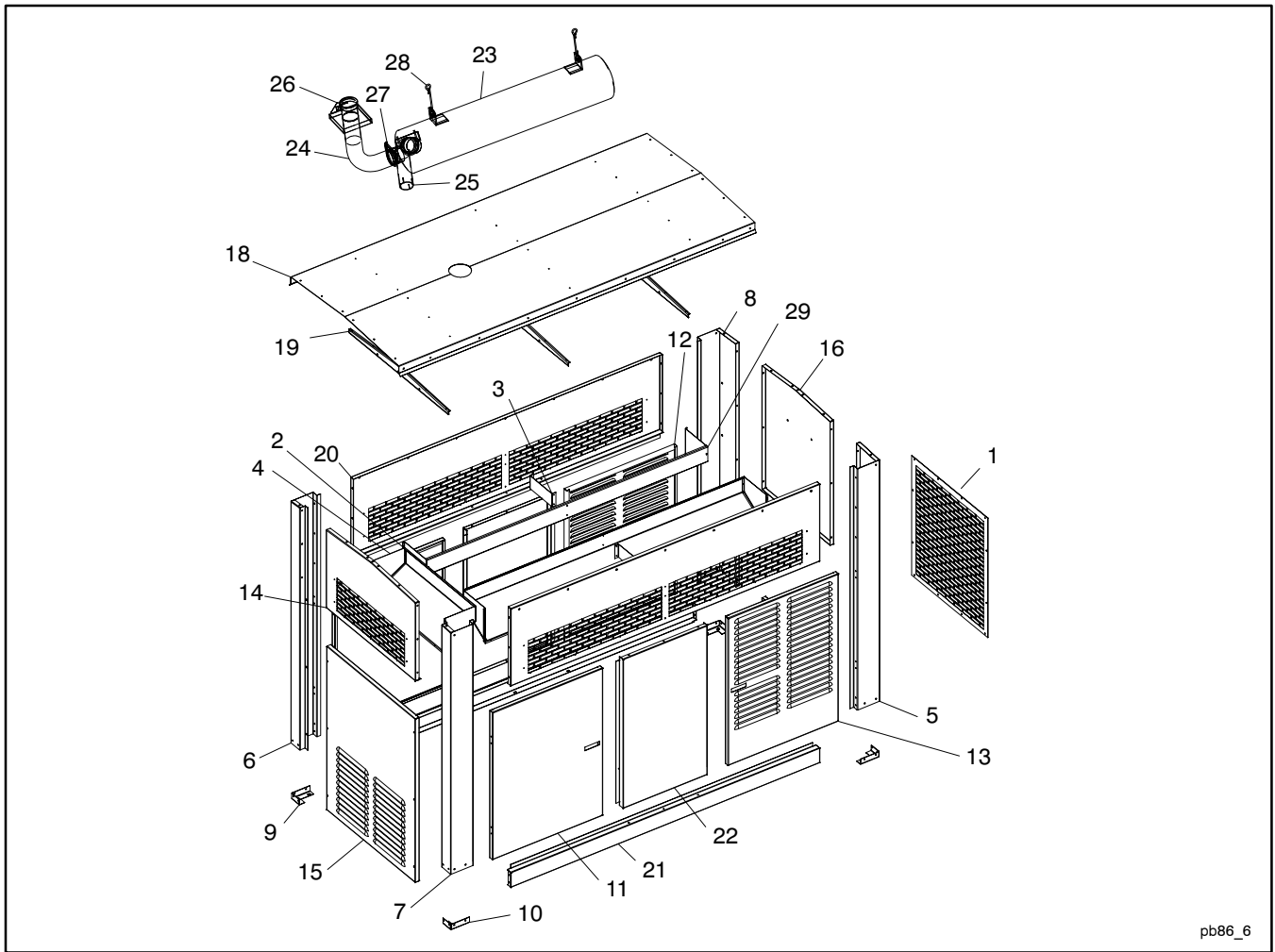
Part Number GM20597

Item	Part No.	Description	Qty.
1	GM22786	Hood assembly	1
2	GM22794	Baffle, air intake	2
3	GM22792	Baffle, brace	2
4	GM22803	Corner support, housing	1
5	GM22804	Corner support, housing	1
6	GM22805	Corner support, housing	1
7	GM22806	Corner support, housing	1
8	GM22782	Bracket, corner support	2
9	GM22783	Bracket, corner support	2
10	GM22788	Door, side	4
11	GM22807	Panel, upper rear	1
12	GM22790	Door, rear	1
13	GM22801	Panel, front	1
14	GM22793	Channel, support	6
15	GM22791	Baffle, end cap	4
16	GM22809	Roof	1
17	GM22781	Support, roof	3
18	GM22810	Panel, upper air intake	2
19	GM22811	Panel, lower base	2
20	GM22795	Panel, center	2
21	GM22780	Silencer	1
22	GM22755	Elbow, exhaust	1
23	GM22754	Tube, exhaust	1
24	GM22753	Cap, rain	1
25	286286	Clamp, exhaust 3 1/2 in.	2
26	GM22778	Cable, silencer	2

Upfit Kit

Kit Part Number: GM20682-KP2

Item	Part No.	Description	Qty.
FA	GM22759	Foam, 14 x 39	2
FB	GM22760	Foam, 32 x 39	1
FC	GM22761	Foam, 32 x 39 with hole	1
FD	GM22762	Foam, 22 x 30	1
FE	GM22763	Foam, 30 x 32	1
FF	GM22764	Foam, 30 x 34	1
FG	GM22765	Foam, 22.5 x 40 (aluminized)	2
FH	GM22766	Foam, 29.5 x 39.5 (aluminized)	4
1	GM22786	Hood assembly	1

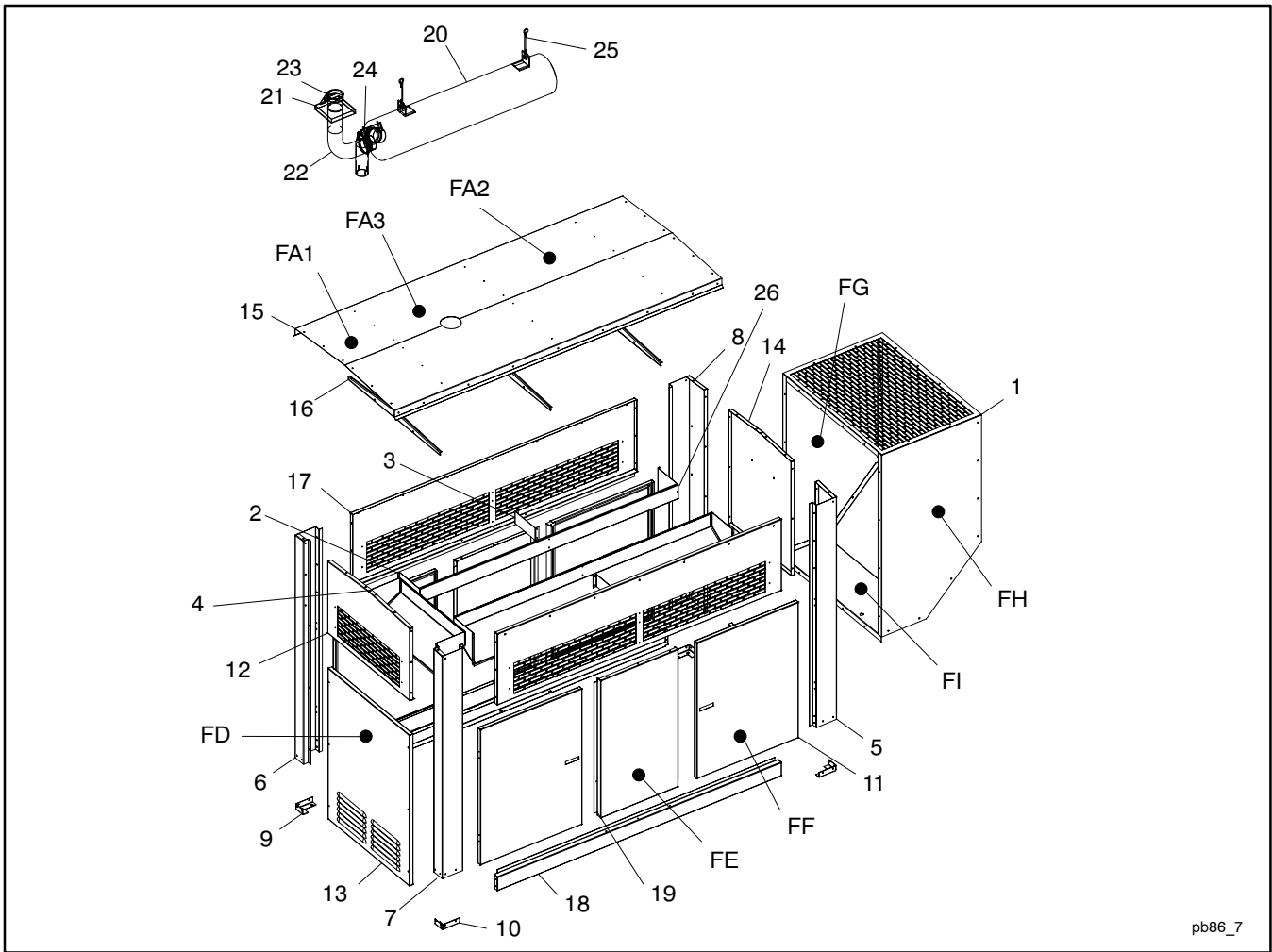


pb86_6

125RZG Weather Enclosure

Part Number GM21118

Item	Part No.	Description	Qty.
1	GM22802	Guard, radiator	1
2	GM22794	Baffle, air intake	2
3	GM22792	Baffle, brace	2
4	GM22796	Baffle assembly	1
5	GM22803	Corner support, housing	1
6	GM22804	Corner support, housing	1
7	GM22805	Corner support, housing	1
8	GM22806	Corner support, housing	1
9	GM22784	Bracket, corner support	2
10	GM22785	Bracket, corner support	2
11	GM22788	Door, side	2
12	GM22798	Door, louvered (L.H.)	1
13	GM22799	Door, louvered (R.H.)	1
14	GM22808	Panel, upper rear	1
15	GM22797	Door, rear	1
16	GM22801	Panel, front	1
18	GM22809	Roof	1
19	GM22781	Support, roof	3
20	GM22810	Panel, upper air intake	2
21	GM22811	Panel, lower base	2
22	GM22795	Panel, center	2
23	GM22780	Silencer	1
24	GM22755	Elbow, exhaust	1
25	GM22757	Tube, exhaust	1
26	GM22753	Cap, rain	1
27	286286	Clamp, exhaust 3 1/2 in.	2
28	GM22778	Cable, silencer	2
29	GM22791	Baffle, end cap	4



125RZG Sound Shield Enclosure

Part Number GM21102

Item	Part No.	Description	Qty.
1	GM22787	Hood assembly	1
2	GM22794	Baffle, air intake	2
3	GM22792	Baffle, brace	2
4	GM22796	Baffle assembly	1
5	GM22803	Corner support, housing	1
6	GM22804	Corner support, housing	1
7	GM22805	Corner support, housing	1
8	GM22806	Corner support, housing	1
9	GM22784	Bracket, corner support	2
10	GM22785	Bracket, corner support	2
11	GM22788	Door, side	4
12	GM22808	Panel, upper rear	1
13	GM22797	Door, rear	1
14	GM22801	Panel, front	1
15	GM22809	Roof	1
16	GM22781	Support, roof	3
17	GM22810	Panel, upper air intake	2
18	GM22811	Panel, lower base	2
19	GM22795	Panel, center	2
20	GM22780	Silencer	1
21	GM22755	Elbow, exhaust	1
22	GM22757	Tube, exhaust	1
23	GM22753	Cap, rain	1
24	286286	Clamp, exhaust 3 1/2 in.	2
25	GM22778	Cable, silencer	2
26	GM22791	Baffle, end cap	4

Upfit Kit

Kit Part Number: GM20682-KP8-QSA

Item	Part No.	Description	Qty.
FA1	GM22759	Foam, 14 x 39	2
FA2	GM22760	Foam, 32 x 39	1
FA3	GM22761	Foam, 32 x 39 with hole	1
FD	GM22764	Foam, 30 x 34	1
FE	GM22765	Foam, 22.5 x 40 (aluminized)	2
FF	GM22766	Foam, 29.5 x 39.5 (aluminized)	4
FG	GM22768	Foam, 28 x 52 (left)	1
FH	GM22769	Foam, 28 x 52 (right)	1
FI	GM22770	Foam, 40.5 x 77	1
1	GM22787	Hood assembly	1