

PARTS BULLETIN

Original Issue Date: **8/03**

Models: **135-230 kW John-Deere Powered**

Market: **Industrial Generator Sets**

Subject: **Alternator and Engine Wiring Harness Change on 6081 Engines**

John Deere Power Systems changed the battery charging alternator on 6081 engines. The engine alternator option codes changed and engine wiring harnesses were modified as a result of the change.

When replacing the alternator on subject models, use the engine option code label affixed to the side of the engine block and the table below to determine the alternator replacement part numbers.

Engine harnesses were modified to include 3-pin connector GM25910. The connector will not fit on alternators equipped with alternator option codes 3140 and 3142. When replacing the engine wiring harness on

a generator set equipped with alternator option code 3140 or 3142, remove the 3-pin connector from the new harness and reconnect the lead to the alternator wiring harness using customer-supplied terminals.

The following parts catalogs will reflect the change as they are updated:

Parts Catalog Number	Description
TP-5408	P/C 20-180ROZJ John Deere (no 6081)
TP-5826	P/C John Deere 6081
TP-5828	P/C 135-180ROZJ
TP-6142	P/C 20ROZJB/20-230REOZJB

Alternator Service Parts Selection Table

Code on Engine Option Code Label	Voltage	Replacement Parts Location	
		Parts Catalog Number	Variation Number
3106	24	Figure 1 below	-
3107	12	TP-5826	3107
3140	12	TP-5826	3140
3142	24	TP-5826	3142

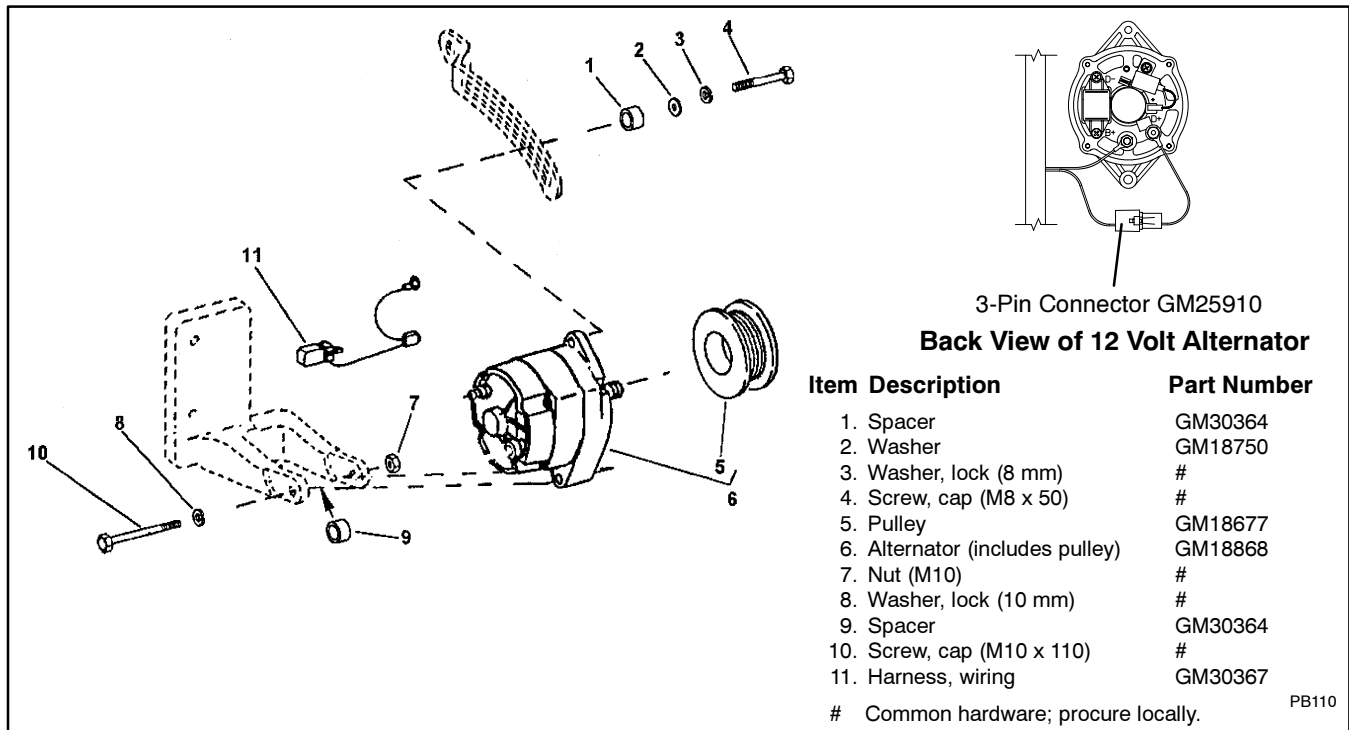


Figure 1 Alternator Option Code 3106 Replacement Parts