
PARTS BULLETIN

Original Issue Date: **8/04**

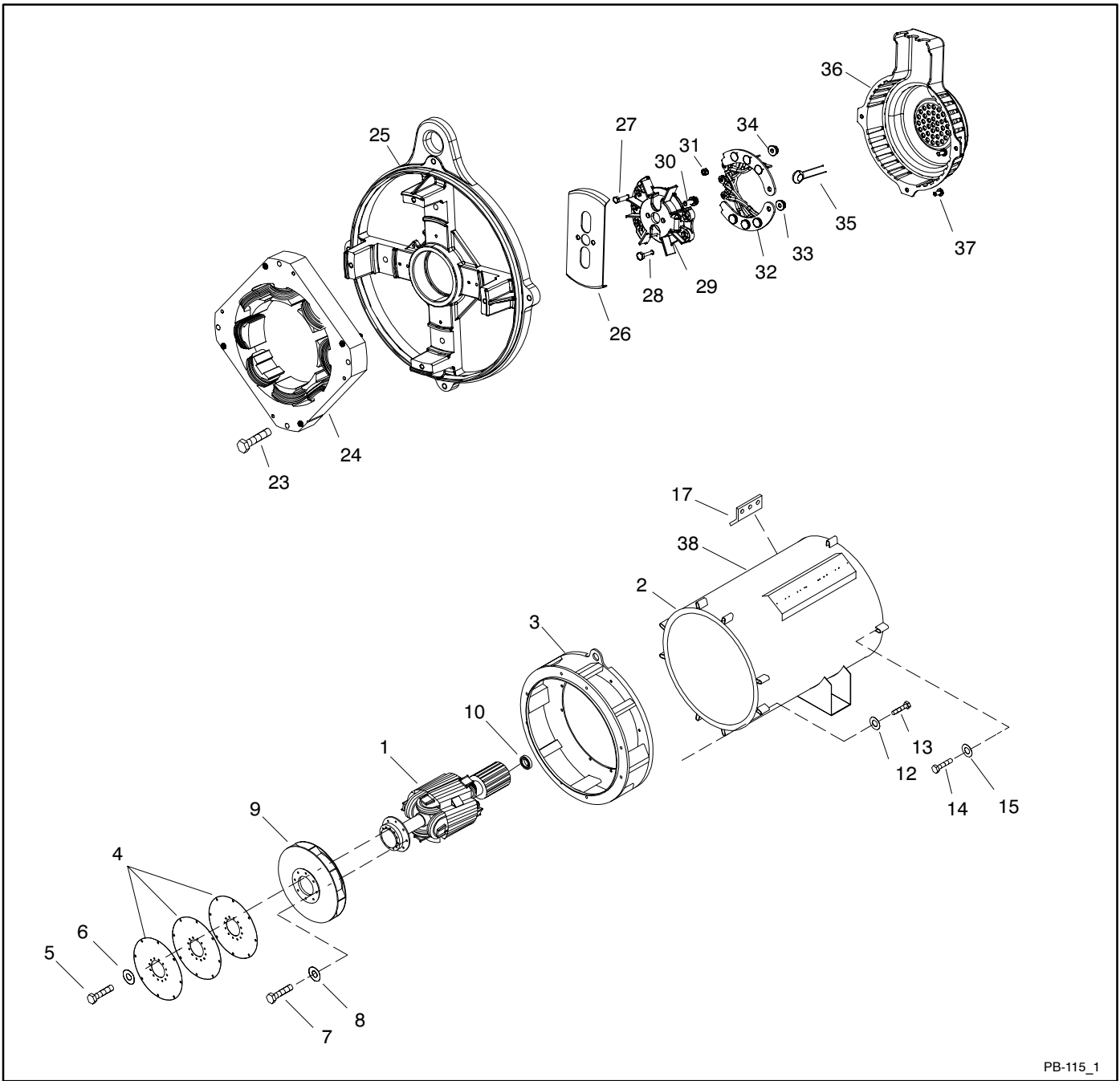
Models: **20-300 kW with FRIII Wound Field Alternators**

Market: **Industrial Generator Sets**

Subject: **Service Parts**

Use this bulletin to determine part numbers of replacement parts for wound field alternators until parts catalogs are updated to include the alternators. Locate the part on the drawing and then use the tables to identify the replacement part number.

20-60 kW (4PW and 4QW) Alternators



PB-115_1

Figure 1 Alternator Drawing

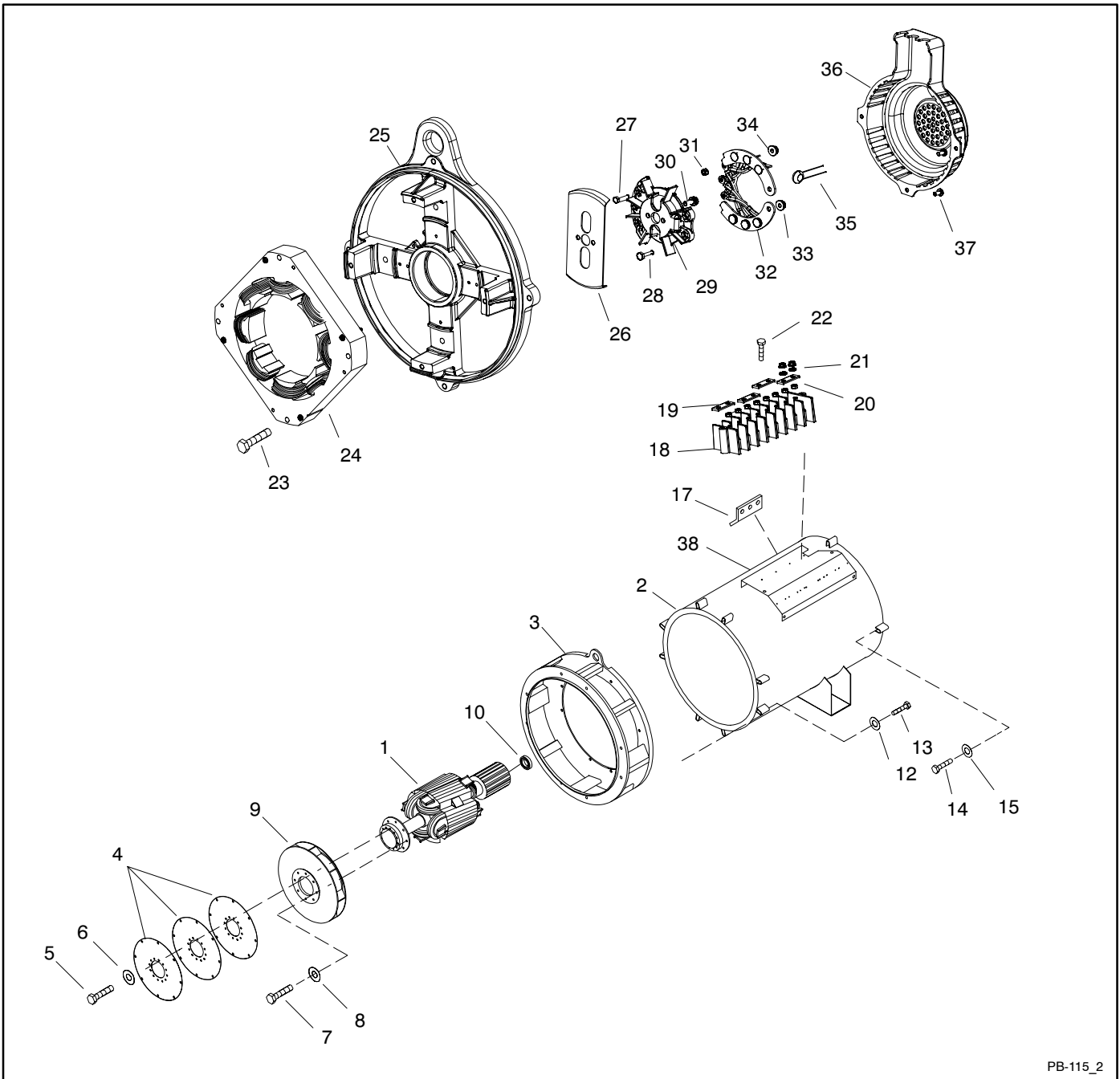
20-60 kW (4PW and 4QW) Alternators

Item	Part No.	Description	Qty.
1	See table below	Rotor assembly	1
2	See table below	Stator assembly	1
3	See table below	Adapter, generator	1
4	See table below	Disc, drive	2
5	M933-10030-82	Screw, hex cap	8
6	X-801-3	Washer, hardened, .406 ID x .812 in. OD	8
7	M933-10025-60	Screw, hex cap	4
8	X-25-93	Washer, plain, .406 ID x .75 in. OD	4
9	347697	Fan, alternator	1
10	X-758-2	Bearing, ball	1
11	—	Not used	—
12	X-25-93	Washer, plain, .406 ID x .75 in. OD	6
13	M931-10050-60	Screw, hex cap	6
14	M933-10060-60	Screw, hex cap	4
15	X-25-93	Washer, plain, .406 ID x .75 in. OD	4
16	—	Not used	—
17	257986	Terminal	1
18	—	Not used	—
19	—	Not used	—
20	—	Not used	—
21	—	Not used	—
22	—	Not used	—
23	M931-08055-60	Screw, hex cap	4
24	GM32516-1	Exciter field (8 pole, 41.3 stack)	1
25	GM28965	Bracket, end (4P)	1
26	GM31967	Actuator, magnetic	1
27	M933-05020-60	Screw, hex cap	3
28	M933-06020-60	Screw, hex cap	2
29	GM31960	Hub, rotating diode assembly	1
30	M933-06016-60	Screw, hex cap	2
31	M934-05-50	Nut, hex, 5 mm	3
32	GM31963	Plates, diode assembly	1
33	M982-06-80	Nut, hex, elastic stop	2
34	M982-05-60	Nut, hex, elastic stop	3
35	228061	Varistor, 250 V	1
36	GM31968	Cover, rotating diode assembly	1
37	M7500D-05010-81	Screw, thread forming metric	3
38	344295	Decal, equipment ground	1
39	—	Not used	1
40	—	Not used	1

Part Numbers for Alternator Rotors, Stators, Adapters, and Drive Discs

Module	Alternator Part No.	Alternator Designation	Flywheel	Flywheel Housing	Item 1, Rotor	Item 2, Stator	Item 3, Adapter	Item 4, Drive Discs
GM17701-MA18	GM32507-7	4P5W	SAE 10 in.	SAE #3	GM32406-4	GM32504-2	GM32006	257015
GM17701-MA19	GM32507-9	4P5W, 600 V	SAE 10 in.	SAE #3	GM32406-4	GM32505-2	GM32006	257015
GM17701-MA20	GM32507-12	4P5BW	SAE 10 in.	SAE #3	GM32406-5	GM32504-3	GM32006	257015
GM17701-MA21	GM32507-14	4P5BW, 600 V	SAE 10 in.	SAE #3	GM32406-5	GM32505-3	GM32006	257015
GM17701-MA22	GM32507-18	4P7BW	SAE 10 in.	SAE #3	GM32406-8	GM32504-5	GM32006	257015
GM17701-MA23	GM32507-19	4P7BW, 600 V	SAE 10 in.	SAE #3	GM32406-8	GM32505-5	GM32006	257015
GM17701-MA24	GM32507-21	4P8W	SAE 10 in.	SAE #3	GM32406-10	GM32504-6	GM32006	257015
GM17701-MA25	GM32507-23	4P8W, 600 V	SAE 10 in.	SAE #3	GM32406-10	GM32505-6	GM32006	257015
GM17701-MA26	GM32507-27	4P10W	SAE 10 in.	SAE #3	GM32406-11	GM32504-7	GM32006	257015
GM17701-MA27	GM32507-29	4P10W, 600 V	SAE 10 in.	SAE #3	GM32406-11	GM32505-7	GM32006	257015
GM17701-MA28	GM32507-11	4Q5W	SAE 10 in.	SAE #3	GM32406-4	GM32506-2	GM32006	257015
GM17701-MA29	GM32507-31	4Q10W	SAE 10 in.	SAE #3	GM32406-11	GM32506-4	GM32006	257015
GM17701-MA30	GM32507-31	4Q10W	SAE 10 in.	SAE #3	GM32406-11	GM32506-4	GM32006	257015
GM17701-MA31	GM32507-21	4P8W	SAE 10 in.	SAE #3	GM32406-10	GM32504-6	GM32006	257015
GM17701-MA32	GM32507-23	4P8W, 600 V	SAE 10 in.	SAE #3	GM32406-10	GM32505-6	GM32006	257015
GM17701-MA33	GM32507-27	4P10W	SAE 10 in.	SAE #3	GM32406-11	GM32504-7	GM32006	257015
GM17701-MA34	GM32507-29	4P10W, 600 V	SAE 10 in.	SAE #3	GM32406-11	GM32505-7	GM32006	257015
GM19371-MA11	GM32507-2	4P4W	SAE 10 in.	SAE #4	GM32406-2	GM32504-1	GM32007	257015
GM19371-MA12	GM32507-3	4P4W, 600 V	SAE 10 in.	SAE #4	GM32406-2	GM32505-1	GM32007	257015
GM19371-MA13	GM32507-5	4Q4W	SAE 10 in.	SAE #4	GM32406-2	GM32506-1	GM32007	257015
GM19371-MA14	GM32507-8	4P5W	SAE 10 in.	SAE #4	GM32406-4	GM32504-2	GM32007	257015
GM19371-MA15	GM32507-10	4P5W, 600 V	SAE 10 in.	SAE #4	GM32406-4	GM32505-2	GM32007	257015
GM19371-MA16	GM32507-16	4P7W	SAE 10 in.	SAE #4	GM32406-7	GM32504-4	GM32007	257015
GM19371-MA17	GM32507-17	4P7W, 600 V	SAE 10 in.	SAE #4	GM32406-7	GM32505-4	GM32007	257015
GM19371-MA18	GM32507-22	4P8W	SAE 10 in.	SAE #4	GM32406-10	GM32504-6	GM32007	257015
GM19371-MA19	GM32507-24	4P8W, 600 V	SAE 10 in.	SAE #4	GM32406-10	GM32505-6	GM32007	257015
GM19371-MA20	GM32507-32	4Q10W	SAE 10 in.	SAE #4	GM32406-11	GM32506-4	GM32007	257015

80-170 kW (4SW and 4VW) Alternators



PB-115_2

Figure 2 Alternator Drawing

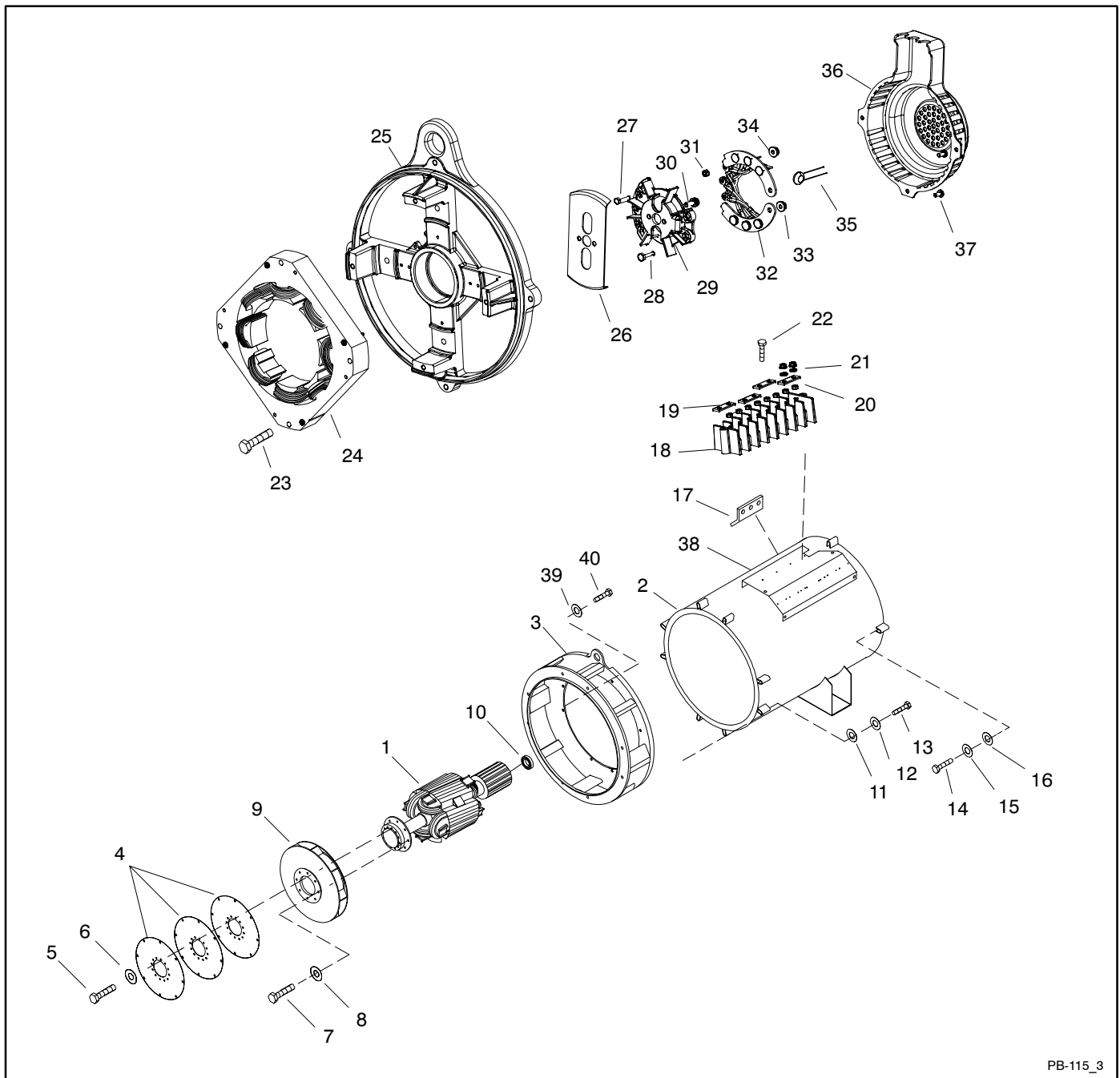
80-170 kW (4SW and 4VW) Alternators

Item	Part No.	Description	Qty.	Item	Part No.	Description	Qty.
1	See table below	Rotor assembly	1	20	M6923-10-80	Nut, hex, 10 mm	16
2	See table below	Stator assembly	1	21	M125A-10-80	Washer, plain	8
3	See table below	Adapter, generator	1	22	M7500D-06020-81	Screw	2
4	See table below	Disc, drive	3	23	M933-08100-60	Screw, hex cap	4
5	M933-10035-82	Screw, hex cap	12	24	GM32516-2	Exciter field (8 pole, 88.9 stack)	1
6	X-801-3	Washer, .406 ID x .812 in. OD	12	25	GM28964	Bracket, end	1
7	M933-10025-60	Screw, hex cap	4	26	GM31967	Actuator, magnetic	1
8	X-25-93	Washer, .406 ID x .75 in. OD	4	27	M933-05020-60	Screw, hex cap	3
9	257173	Fan, generator	1	28	M933-06020-60	Screw, hex cap	2
10	X-758-6	Bearing, ball	1	29	GM31960	Hub, rotating diode assembly	1
11	—	Not used	1	30	M933-06016-60	Screw, hex cap	2
12	X-25-93	Washer, .406 ID x .75 in. OD	6	31	M934-05-50	Nut, hex, 5 mm	3
13	M931-10050-60	Screw, hex cap	1	32	GM31963	Plates, diode assembly	1
13	M931-10080-60	Screw, hex cap	5	33	M982-06-80	Nut, hex, elastic stop	2
14	M933-10100-60	Screw, hex cap	4	34	M982-05-60	Nut, hex, elastic stop	3
15	X-25-93	Washer, .406 ID x .75 in. OD	4	35	228061	Varistor, 250 V	1
16	—	Not used	1	36	GM31968	Cover, rotating diode assembly	1
17	257978	Bus	1	37	M7500D-05010-81	Screw, thread forming metric	3
18	GM31969	Block, terminal	1	38	344295	Decal, equipment ground	1
19	GM31970	Link, terminal block	4	39	—	Not used	1
				40	—	Not used	1

Part Numbers for Alternator Rotors, Stators, Adapters, and Drive Discs

Module	Alternator Part No.	Alternator Designation	Flywheel	Flywheel Housing	Item 1, Rotor	Item 2, Stator	Item 3, Adapter	Drive Item 4, Discs
GM17672-MA46	GM32995-1	4S7W	SAE 10 in.	SAE #3	GM32407-1	GM32991-1	GM32008	257102
GM17672-MA47	GM32995-4	4S7W, 600 V	SAE 10 in.	SAE #3	GM32407-1	GM32993-1	GM32008	257102
GM17672-MA48	GM32995-3	4S7W	SAE 11.5 in.	SAE #3	GM32407-2	GM32991-1	GM32008	257103
GM17672-MA49	GM32995-5	4S7W, 600 V	SAE 11.5 in.	SAE #3	GM32407-2	GM32993-1	GM32008	257103
GM17672-MA50	GM32995-11	4S9W	SAE 11.5 in.	SAE #3	GM32407-4	GM32991-2	GM32008	257103
GM17672-MA51	GM32995-13	4S9W, 600 V	SAE 11.5 in.	SAE #3	GM32407-4	GM32993-2	GM32008	257103
GM17672-MA52	GM32995-26	4S13W	SAE 11.5 in.	SAE #3	GM32407-9	GM32991-4	GM32008	257103
GM17672-MA53	GM32995-30	4S13W, 600 V	SAE 11.5 in.	SAE #3	GM32407-9	GM32993-4	GM32008	257103
GM17672-MA54	GM32995-6	4V7W	SAE 10 in.	SAE #3	GM32407-1	GM32994-1	GM32008	257102
GM17672-MA55	GM32995-16	4V9W	SAE 11.5 in.	SAE #3	GM32407-4	GM32994-2	GM32008	257103
GM17672-MA56	GM32995-23	4V11W	SAE 11.5 in.	SAE #3	GM32407-6	GM32994-3	GM32008	257103
GM17672-MA57	GM32995-17	4S11W	SAE 11.5 in.	SAE #3	GM32407-6	GM32991-3	GM32008	257103
GM17672-MA58	GM32995-19	4S11W, 600 V	SAE 11.5 in.	SAE #3	GM32407-6	GM32993-3	GM32008	257103
GM17672-MA59	GM32995-8	4V7W	SAE 11.5 in.	SAE #3	GM32407-2	GM32994-1	GM32008	257103
GM17672-MA60	GM32995-11	4S9W	SAE 11.5 in.	SAE #3	GM32407-4	GM32991-2	GM32008	257103
GM17672-MA61	GM32995-13	4S9W, 600 V	SAE 11.5 in.	SAE #3	GM32407-4	GM32993-2	GM32008	257103
GM17672-MA62	GM32995-23	4V11W	SAE 11.5 in.	SAE #3	GM32407-6	GM32994-3	GM32008	257103
GM17672-MA63	GM32995-17	4S11W	SAE 11.5 in.	SAE #3	GM32407-6	GM32991-3	GM32008	257103
GM17672-MA64	GM32995-19	4S11W, 600 V	SAE 11.5 in.	SAE #3	GM32407-6	GM32993-3	GM32008	257103
GM17672-MA65	GM32995-26	4S13W	SAE 11.5 in.	SAE #3	GM32407-9	GM32991-4	GM32008	257103
GM17672-MA66	GM32995-30	4S13W, 600 V	SAE 11.5 in.	SAE #3	GM32407-9	GM32993-4	GM32008	257103
GM17672-MA67	GM32995-33	4S15W	SAE 11.5 in.	SAE #3	GM32407-11	GM32992	GM32008	257103
GM17672-MA68	GM32995-35	4S15W, 600 V	SAE 11.5 in.	SAE #3	GM32407-11	GM32993-5	GM32008	257103
GM17672-MA69	GM32995-3	4S7W	SAE 11.5 in.	SAE #3	GM32407-2	GM32991-1	GM32008	257103
GM17672-MA70	GM32995-5	4S7W, 600 V	SAE 11.5 in.	SAE #3	GM32407-2	GM32993-1	GM32008	257103
GM17672-MA71	GM32995-11	4S9W	SAE 11.5 in.	SAE #3	GM32407-4	GM32991-2	GM32008	257103
GM17672-MA72	GM32995-13	4S9W, 600 V	SAE 11.5 in.	SAE #3	GM32407-4	GM32993-2	GM32008	257103
GM17672-MA73	GM32995-16	4V9W	SAE 11.5 in.	SAE #3	GM32407-4	GM32994-2	GM32008	257103
GM17672-MA74	GM32995-25	4S13W	SAE 11.5 in.	SAE #2	GM32407-9	GM32991-4	GM32009	257103
GM17672-MA75	GM32995-29	4S13W, 600 V	SAE 11.5 in.	SAE #2	GM32407-9	GM32993-4	GM32009	257103
GM17672-MA76	GM32995-32	4S15W	SAE 11.5 in.	SAE #2	GM32407-11	GM32992	GM32009	257103
GM17672-MA77	GM32995-34	4S15W, 600 V	SAE 11.5 in.	SAE #2	GM32407-11	GM32993-5	GM32009	257103
GM17672-MA78	GM32995-17	4S11W	SAE 11.5 in.	SAE #3	GM32407-6	GM32991-3	GM32008	257103
GM17672-MA79	GM32995-19	4S11W, 600 V	SAE 11.5 in.	SAE #3	GM32407-6	GM32993-3	GM32008	257103
GM17672-MA80	GM32995-23	4V11W	SAE 11.5 in.	SAE #3	GM32407-6	GM32994-3	GM32008	257103
GM17672-MA81	GM32995-26	4S13W	SAE 11.5 in.	SAE #3	GM32407-9	GM32991-4	GM32008	257103
GM17672-MA82	GM32995-30	4S13W, 600 V	SAE 11.5 in.	SAE #3	GM32407-9	GM32993-4	GM32008	257103
GM17672-MA83	GM32995-33	4S15W	SAE 11.5 in.	SAE #3	GM32407-11	GM32992	GM32008	257103
GM17672-MA84	GM32995-35	4S15W	SAE 11.5 in.	SAE #3	GM32407-11	GM32993-5	GM32008	257103
GM17672-MA85	GM32995-18	4S11W, 600 V	SAE 14 in.	SAE #1	GM32407-7	GM32991-3	GM32010	257104
GM17672-MA86	GM32995-18	4S11W	SAE 14 in.	SAE #1	GM32407-7	GM32991-3	GM32010	257104
GM17672-MA87	GM32995-20	4S11W, 600 V	SAE 14 in.	SAE #1	GM32407-7	GM32993-3	GM32010	257104
GM17672-MA88	GM32995-27	4S13W	SAE 14 in.	SAE #1	GM32407-10	GM32991-4	GM32010	257104
GM17672-MA89	GM32995-27	4S13W	SAE 14 in.	SAE #1	GM32407-10	GM32991-4	GM32010	257104
GM17672-MA90	GM32995-31	4S13W, 600 V	SAE 14 in.	SAE #1	GM32407-10	GM32993-4	GM32010	257104

180-300 kW (4UAW) Alternators



PB-115_3

Figure 3 Alternator Drawing

180-300 kW (4UAW) Alternators

Item	Part No.	Description	Qty.	Item	Part No.	Description	Qty.
1	See table below	Rotor assembly	1	22	M7500D-06020-81	Screw	2
2	See table below	Stator assembly	1	23	GM32518-1	Exciter field	1
3	See table below	Adapter, generator	1	23	GM32518-2	Exciter field (4UA13W)	1
4	See table below	Disc, drive	4	24	M931-08060-60	Screw, hex head	4
5	M933-12040-82	Screw, hex cap	12	24	M931-08085-60	Screw, hex head (4UA13W)	4
6	290945	Washer, .531 ID x 1.06 in. OD	12	25	GM31973	Bracket, end	1
7	M933-10025-60	Screw, hex cap	8	26	GM31967	Actuator, magnetic	1
8	X-25-93	Washer, .406 ID x .75 in. OD	8	27	M933-05020-60	Screw, hex cap	3
9	257855	Fan, generator	1	28	M933-06020-60	Screw, hex cap	2
10	X-758-9	Bearing, ball	1	29	GM31960	Hub, rotating diode assembly	1
11	257951	Washer, .562 ID x 1.13 in. OD	8	30	M933-06016-60	Screw, hex cap	2
12	290945	Washer, .531 ID x 1.06 in. OD	8	31	M934-05-50	Nut, hex, 5 mm	3
13	M931-12095-60	Screw, hex cap	8	32	GM31963	Plates, diode assembly	1
14	M931-12095-60	Screw, hex cap	4	33	M982-06-80	Nut, hex, elastic stop	2
15	290945	Washer, .531 ID x 1.06 in. OD	4	34	M982-05-60	Nut, hex, elastic stop	3
16	257951	Washer, .562 ID x 1.13 in. OD	4	35	228061	Varistor, 250 V	1
17	257978	Bus	1	36	GM31968	Cover, rotating diode assembly	1
18	GM31969	Block, terminal	1	37	M7500D-05010-81	Screw, thread forming metric	3
19	GM31970	Link, terminal block	4	38	344295	Decal, equipment ground	1
20	M6923-10-80	Nut, hex, 10 mm	16	39	X-801-6	Washer, .469 ID x .922 in. OD	8
21	M125A-10-80	Washer, plain	8	40	X-6024-18	Screw, hex head	8

Part Numbers for Alternator Rotors, Stators, Adapters, and Drive Discs

Module	Alternator Part No.	Alternator Designation	Flywheel	Flywheel Housing	Item 1, Rotor	Item 2, Stator	Item 3, Adapter	Item 4, Drive Discs
GM19673-MA42	GM33000-6	4UA9W	SAE 14 in.	SAE #1	GM32424-4	GM32996-2	GM32011	GM31972
GM19673-MA43	GM33000-8	4UA9W, 600 V	SAE 14 in.	SAE #1	GM32424-4	GM32997-2	GM32011	GM31972
GM19673-MA44	GM33000-10	4UA10W	SAE 14 in.	SAE #1	GM32424-6	GM32996-3	GM32011	GM31972
GM19673-MA45	GM33000-12	4UA10W, 600 V	SAE 14 in.	SAE #1	GM32424-6	GM32997-3	GM32011	GM31972
GM19673-MA46	GM33000-14	4UA13W	SAE 14 in.	SAE #1	GM32424-8	GM32996-4	GM32011	GM31972
GM19673-MA47	GM33000-16	4UA13W, 600 V	SAE 14 in.	SAE #1	GM32424-8	GM32997-4	GM32011	GM31971
GM19673-MA48	GM33000-6	4UA9W	SAE 14 in.	SAE #1	GM32424-4	GM32996-2	GM32011	GM31972
GM19673-MA49	GM33000-8	4UA9W, 600 V	SAE 14 in.	SAE #1	GM32424-4	GM32997-2	GM32011	GM31972
GM19673-MA50	GM33000-14	4UA13W	SAE 14 in.	SAE #1	GM32424-8	GM32996-4	GM32011	GM31972
GM19673-MA51	GM33000-16	4UA13W, 600 V	SAE 14 in.	SAE #1	GM32424-8	GM32997-4	GM32011	GM31972
GM19673-MA52	GM33000-6	4UA9W	SAE 14 in.	SAE #1	GM32424-4	GM32996-2	GM32011	GM31972
GM19673-MA53	GM33000-8	4UA9W, 600 V	SAE 14 in.	SAE #1	GM32424-4	GM32997-2	GM32011	GM31972
GM19673-MA54	GM33000-10	4UA10W	SAE 14 in.	SAE #1	GM32424-6	GM32996-3	GM32011	GM31972
GM19673-MA55	GM33000-12	4UA10W, 600 V	SAE 14 in.	SAE #1	GM32424-6	GM32997-3	GM32011	GM31972
GM19673-MA56	GM33000-14	4UA13W	SAE 14 in.	SAE #1	GM32424-8	GM32996-4	GM32011	GM31972
GM19673-MA57	GM33000-16	4UA13W, 600 V	SAE 14 in.	SAE #1	GM32424-8	GM32997-4	GM32011	GM31972
GM19673-MA58	GM33000-10	4UA10W	SAE 14 in.	SAE #1	GM32424-6	GM32996-3	GM32011	GM31972
GM19673-MA59	GM33000-12	4UA10W, 600 V	SAE 14 in.	SAE #1	GM32424-6	GM32997-3	GM32011	GM31972
GM19673-MA60	GM33000-14	4UA13W	SAE 14 in.	SAE #1	GM32424-8	GM32996-4	GM32011	GM31972
GM19673-MA61	GM33000-16	4UA13W, 600 V	SAE 14 in.	SAE #1	GM32424-8	GM32997-4	GM32011	GM31972
GM19673-MA62	GM33000-17	4UA7W	SAE 14 in.	SAE #1	GM32424-2	GM32996-1	GM32011	GM31972
GM19673-MA63	GM33000-17	4UA7W	SAE 14 in.	SAE #1	GM32424-2	GM32996-1	GM32011	GM31972
GM19673-MA64	GM33000-18	4UA7W, 600 V	SAE 14 in.	SAE #1	GM32424-2	GM32997-1	GM32011	GM31972
GM19673-MA65	GM33000-19	4UA9W	SAE 14 in.	SAE #1	GM32424-4	GM32996-2	GM32011	GM31972
GM19673-MA66	GM33000-19	4UA9W	SAE 14 in.	SAE #1	GM32424-4	GM32996-2	GM32011	GM31972
GM19673-MA67	GM33000-20	4UA9W, 600 V	SAE 14 in.	SAE #1	GM32424-4	GM32997-2	GM32011	GM31972
GM19673-MA68	GM33000-20	4UA9W, 600 V	SAE 14 in.	SAE #1	GM32424-4	GM32997-2	GM32011	GM31972
GM19673-MA69	GM33000-21	4UA10W	SAE 14 in.	SAE #1	GM32424-6	GM32996-3	GM32011	GM31972
GM19673-MA70	GM33000-22	4UA10W, 600 V	SAE 14 in.	SAE #1	GM32424-6	GM32997-3	GM32011	GM31972
GM19673-MA71	GM33000-23	4UA13W	SAE 14 in.	SAE #1	GM32424-8	GM32996-4	GM32011	GM31972
GM19673-MA72	GM33000-24	4UA13W, 600 V	SAE 14 in.	SAE #1	GM32424-8	GM32997-4	GM32011	GM31972
GM19673-MA73	GM33000-6	4UA9W	SAE 14 in.	SAE #1	GM32424-4	GM32996-2	GM32011	GM31972
GM19673-MA74	GM33000-8	4UA9W, 600 V	SAE 14 in.	SAE #1	GM32424-4	GM32997-2	GM32011	GM31972
GM19673-MA75	GM33000-10	4UA10W	SAE 14 in.	SAE #1	GM32424-6	GM32996-3	GM32011	GM31972
GM19673-MA76	GM33000-12	4UA10W, 600 V	SAE 14 in.	SAE #1	GM32424-6	GM32997-3	GM32011	GM31972
GM19673-MA77	GM33000-14	4UA13W	SAE 14 in.	SAE #1	GM32424-8	GM32996-4	GM32011	GM31972
GM19673-MA78	GM33000-16	4UA13W, 600 V	SAE 14 in.	SAE #1	GM32424-8	GM32997-4	GM32011	GM31972
GM19673-MA79	GM33000-5	4UA9W	SAE 11.5 in.	SAE #2	GM32424-3	GM32996-2	GM32012	GM31971
GM19673-MA80	GM33000-7	4UA9W, 600 V	SAE 11.5 in.	SAE #2	GM32424-3	GM32997-2	GM32012	GM31971
GM19673-MA81	GM33000-13	4UA13W	SAE 11.5 in.	SAE #2	GM32424-7	GM32996-4	GM32012	GM31971
GM19673-MA82	GM33000-15	4UA13W, 600 V	SAE 11.5 in.	SAE #2	GM32424-7	GM32997-4	GM32012	GM31972