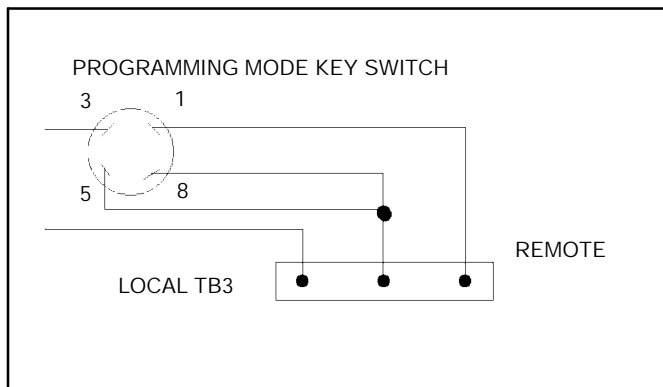


SERVICE BULLETIN

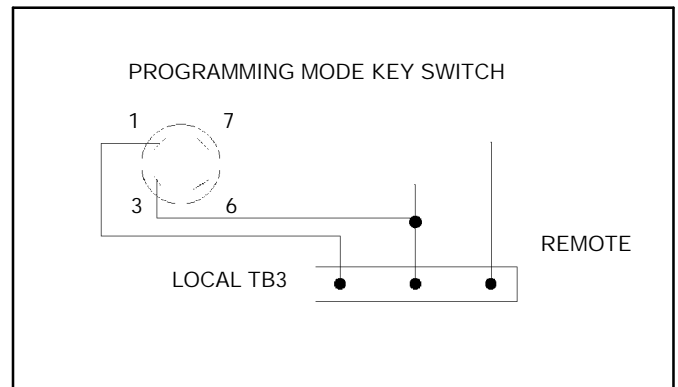
Original Issue Date: **9/94**
 Model: **M340 Logic Controller**
 Market: **Automatic Transfer Switch**
 Subject: **Local-Off-Remote Key Switch Wiring Change**

The M340 microprocessor-controlled automatic transfer switch uses a new Local-Off-Remote key switch. The new switch requires a change to the wiring diagram of the key switch to the microprocessor control board. Identify the old switch by a blue wiring cover on the back of the switch. The new switch uses either a green or black wiring cover.



Switch Position	Contact Closure
Remote	1-8
Off	1-3
Local	5-3

Figure 1. New Switch Wiring Diagram (Black or Green Wiring Cover)



Switch Position	Contact Closure
Remote	6-7
Off	7-1
Local	1-3

Figure 2. Old Switch Wiring Diagram (Blue Wiring Cover)

Routing	Service Manager	Sales Manager	Parts Manager	Technician No. 1	Technician No. 2	Technician No. 3	Return This to
Initial Here							