

SERVICE BULLETIN

Original Issue Date: **2/00**
 Model: **450-2000 kW (Detroit Diesel Series 2000 and 4000 Engines)**
 Market: **Industrial**
 Subject: **Drive Disc-to-Flywheel Bolt Torque Specifications**

To prevent possible component failure assemble using *new* drive disc-to-flywheel mounting hardware and torque the bolts to 230 Nm (170 ft. lbs.). See Figure 1. The generator set manufacturer recommends using new 5/8-11, grade 8 bolts and hardened washers during reassembly. Refer to Figure 2 for mounting

hardware part number, quantity, and description for each generator set model and generator type.

Refer to the generator set service manual for safety precautions, assembly procedures, and torque specifications not included in this service bulletin.

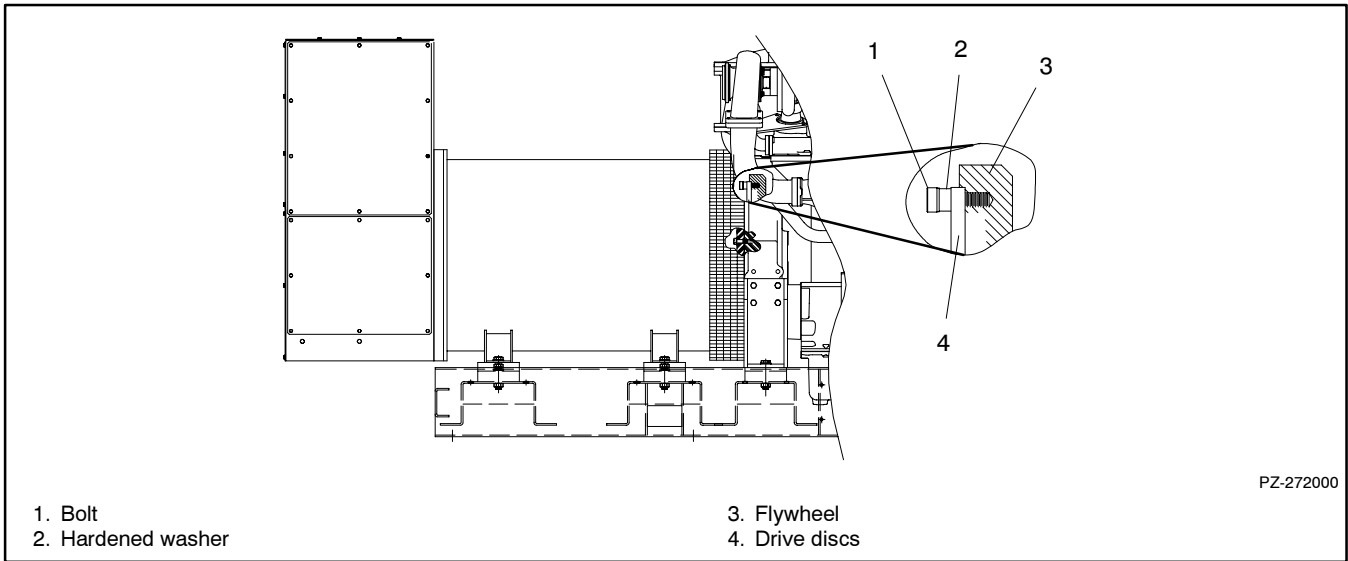


Figure 1 Generator Set Component Reassembly (450-1000 kW Model Shown)

| Models | Generator Type | Part No. | Qty. | Description |
|--------------------------------|----------------|-----------|------|---|
| 450-1000 kW (DDC Series 2000) | 5M Frame | X-6021-14 | 6 | Bolt, 5/8-11 x 1.25 in., grade 8 hex cap |
| 450-1000 kW (DDC Series 2000) | 5M Frame | X-801-5 | 6 | Washer, 0.656 x 1.06 x 0.098 in. hardened |
| 450-1000 kW (DDC Series 2000) | 7M Frame | X-6021-13 | 6 | Bolt, 5/8-11 x 1.75 in., grade 8 hex cap |
| 450-1000 kW (DDC Series 2000) | 7M Frame | X-801-5 | 6 | Washer, 0.656 x 1.06 x 0.098 in. hardened |
| 1250-2000 kW (DDC Series 4000) | 7M Frame | X-6021-13 | 12 | Bolt, 5/8-11 x 1.75 in., grade 8 hex cap |
| 1250-2000 kW (DDC Series 4000) | 7M Frame | X-801-5 | 12 | Washer, 0.656 x 1.06 x 0.098 in. hardened |

Figure 2 Mounting Hardware

| | | | | | | | |
|--------------|-----------------|---------------|---------------|------------------|------------------|------------------|----------------|
| Routing | Service Manager | Sales Manager | Parts Manager | Technician No. 1 | Technician No. 2 | Technician No. 3 | Return This to |
| Initial Here | | | | | | | |