

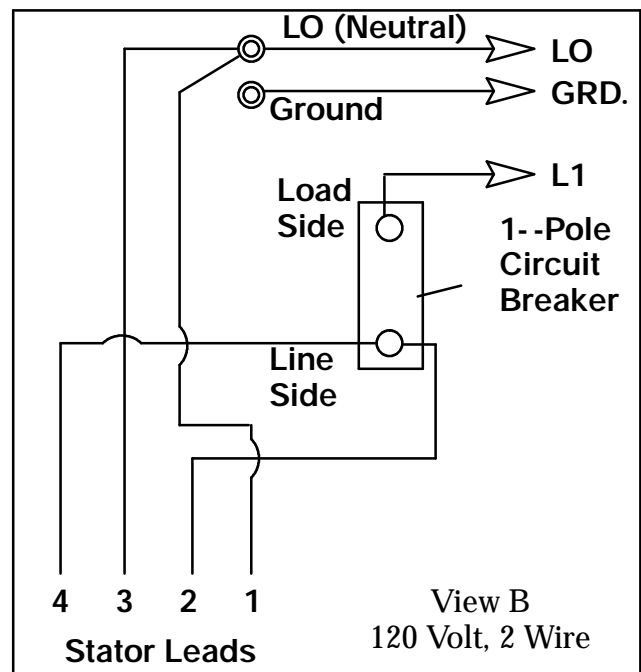
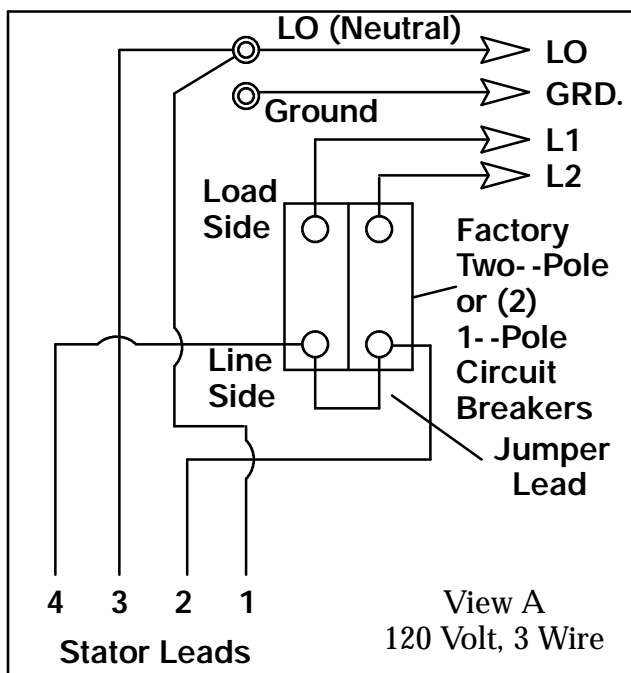
ISSUE DATE: 2/91 MODEL: All 4--Lead SUBJECT: Proper NO.: 512
 REVISION DATE: -- (Single--Phase) Reconnection
 Generator Sets Practices

To clarify any misconception as to the proper reconnection of 4--lead generator sets, the following information is provided. In all cases, the National Electrical Code (NEC) should be followed. In addition, marine generator sets should comply with Coast Guard Regulations.

NOTE: When a generator set is reconnected to a voltage different than nameplate voltage, notice should be placed on the unit indicating this change. A decal (part no. 246242) is available for this purpose from Authorized Kohler Dealers.

120--Volt (or 110--Volt) Configurations -- Figure 1 (Views A and B)

The load side terminals of the circuit breaker are not to be connected together when a factory two--pole circuit breaker is used, see View A. If the installation requires a 120 Volt, 2 wire system, a single pole circuit breaker must be used. See View B. When connecting stator phase leads together, the output lead (L1) must be sized accordingly. It is recommended that a jumper lead be used on the *line* side of the circuit breaker. This allows for balancing of the load of the generator set.



L0 -- L1
L0 -- L2

60 Hz.	50 Hz.
120 Volt	110 Volt
120 Volt	110 Volt

Routing	Service Manager	Sales Manager	Parts Manager	Technician No. 1	Technician No. 2	Technician No. 3	Return This to
Initial Here							



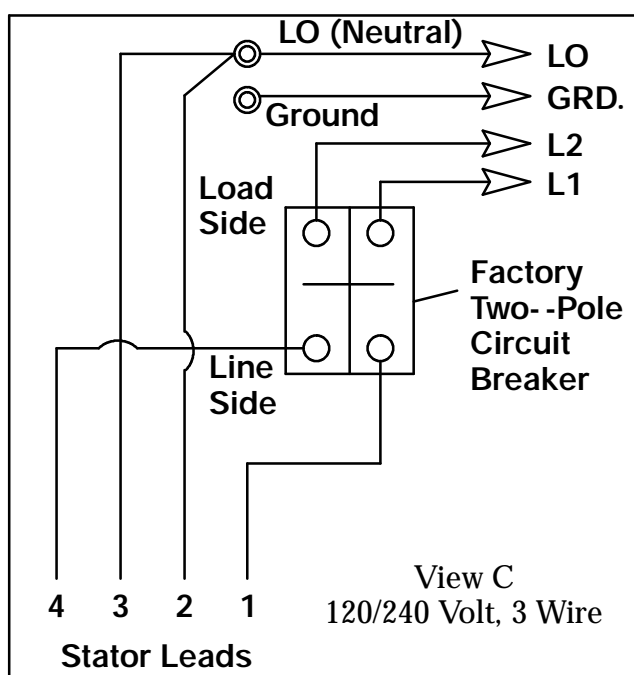
NOTE

MARINE APPLICATIONS ONLY

In marine applications, circuit breakers must be "ignition protected" and meet Coast Guard Regulation 33CFR183 when used in a gasoline- -fueled environment such as engine room or near fuel tanks. Acceptable locations would be wheelhouse or other living areas. When operated in a diesel- -fueled environment, it is not necessary to meet Regulation 33CFR183 regarding "ignition protection."

120/240- -Volt (or 110/220- -Volt) Configurations - - Figure 2 (View C)

Jumper lead not used. If unit was originally wired for straight 120- -Volt (or 110- -Volt), 3 wire, be sure jumper lead is removed (see Figure 1 for location). Circuit breaker MUST be a circuit breaker manufacturer two- -pole circuit breaker. Two single- -pole circuit breakers do not conform to NEC requirements when supplying a 240- -Volt (or 220- -Volt) load. This is true even if they are mechanically attached together. Leads L1 and L2 are different phases and must never be connected together.



	60 Hz.	50 Hz.
L0 -- L1	120 Volt	110 Volt
L0 -- L2	120 Volt	110 Volt
L1 -- L2	240 Volt	220 Volt