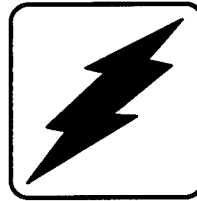


Service Parts

Industrial/RV/Mobile/Marine Generator Sets



Models:

7.5A

7.5C

7.5CF

7.5R

7.5RF

7.5RH

KOHLER[®]
POWER SYSTEMS

ISO 9001
KOHLER
GENERATORS
INTERNATIONALLY REGISTERED
U.S.A. Plant ISO Registered

Specification Series 106

TP-5045 8/98

INTRODUCTION

This manual contains a complete listing of service replacement parts for Kohler 7.5 KW Generator Sets with specification series code 106. These use the Kohler Model L654 Engine. The manual includes the following main sections in the sequence listed.

1. *Specification Number Index*: Listing of generator set spec numbers arranged in numerical sequence on each page. Group variation numbers are listed in the horizontal line to the right of each spec number.

2. *Group Parts Lists*: Indicates specific parts for each specification. Illustrations of parts are shown for some of the various parts. Illustrations are keyed to the parts numbers found in the parts group listings.

GROUP VARIATION NUMBER: There may be various groupings of parts designed to provide the same function, however, with minor differences. Each of these differences necessitates the assignment of a group variation number. Example, dry air cleaner or oil bath air cleaner – both perform the same function, however, use different parts.

PART NUMBER: The part number is the number by which an individual piece part of a generator set is identified and ordered.

NUMBER SIGNIFICANCE

There are various numbers which must be used in determining how to identify a part number. The significance of each of these numbers is explained as follows:

SPECIFICATION NUMBER: The generator set specification number, which is found on the nameplate attached to the frame of the generator, indicates model variations or

the combination of groups used to build that particular generator set. The spec number is, a coded number. The first three digits, which are the code designation for generator size and engine model, remain constant in this series while the remaining digits in the spec number are issued in numerical sequence.

GROUP NUMBER: The group consists of related parts needed to provide one or more related functions.

HOW TO FIND PART NUMBERS

Following a step-by-step procedure to be used in identifying and ordering a specific part.

Item to be ordered: *SKID*

STEP 1: Record the *Generator Set* specification number from the nameplate on the generator frame. (Sample: 106213A).

STEP 2: In the specification Number Index, find specification 106213A in the left-hand vertical column. Under 109, Generator Mounting, locate the variation number assigned to specification 106213A. The variation number is 10.

STEP 3: Turn to Part Group 109 – Generator Mounting. Note the skid is identified with Index Number 7, under this number locate Variation 10. Skid 241591 is assigned to this variation.

NOTE: Quantities greater than one are shown in brackets behind part description.

NOTE: Nameplates, Decals and Accessories are listed on pages 40, 41 and 42.

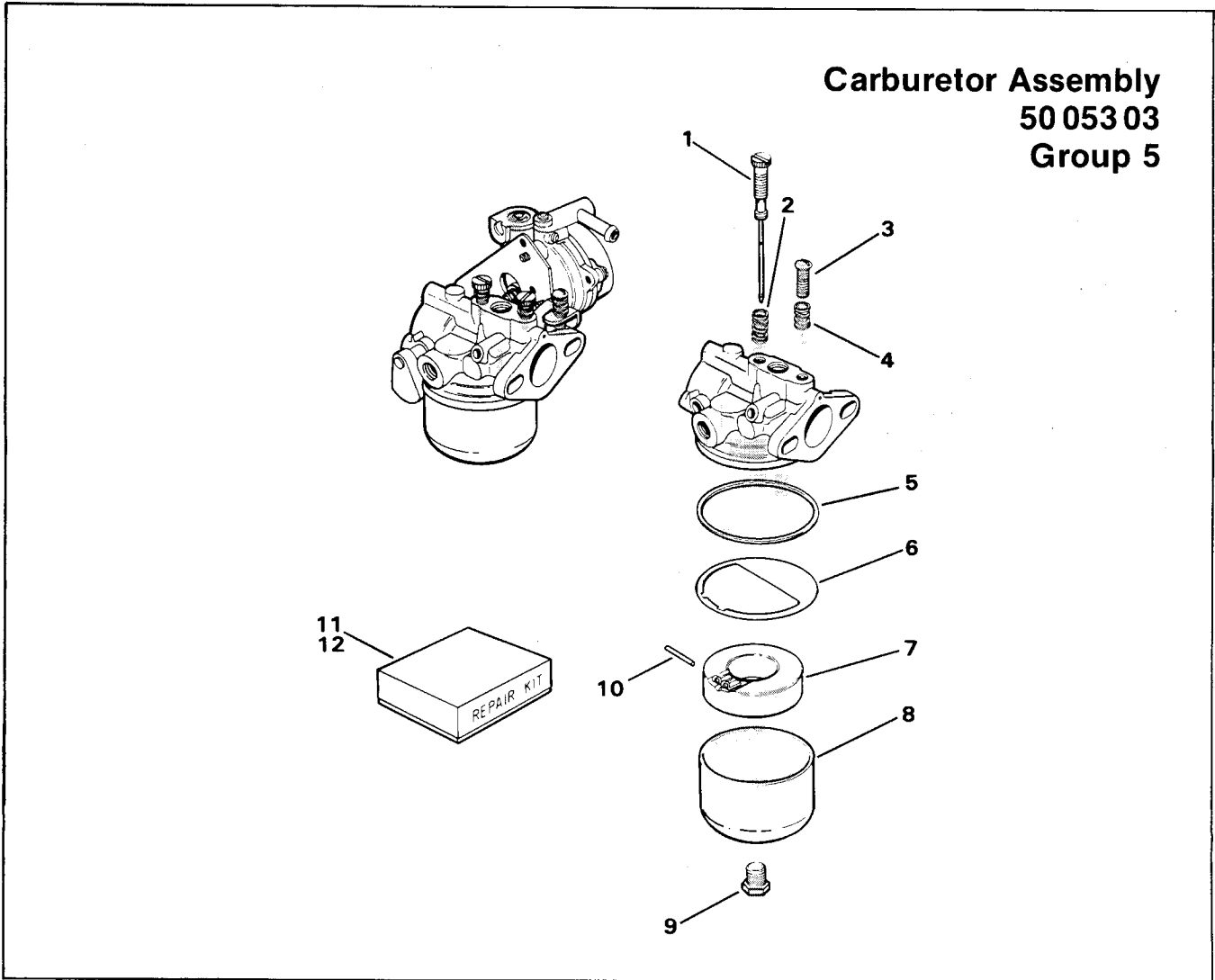
SERIES 106

SPECIFICATION NUMBER INDEX

GROUP TITLE & NUMBER	SPECIFICATION NUMBER INDEX																												
	AIR INTAKE	COOLANT SYSTEM	BREATHER & VENT	CAMSHAFT & VALVES	CARBURETOR	CRANKCASE	CRANKSHAFT	CYLINDER HEAD	DIPSTICK	ELECTRIC START	EXHAUST	FLYWHEEL	FUEL PUMP	GOVERNORS	IGNITION	OIL PAN	PISTON & RODS	OIL PUMP	GEAR COVERS	OIL FILTER GROUP	HIGH TEMP. CUTOFF	LOW OIL PRESSURE CUTOFF	COOLANT SYSTEM	GENERATOR MTG.	STARTER	EXHAUST SYSTEM	GENERATOR ASSY.	CONTROLLER & MTG.	HOUSING & MTG.
PAGE	2	10	14	16	1	14	17	14	14	25	18	25	19	20	22	14	17	24	14	24	14	24	10	26	25	18	28	32	40
GRID	A6	A14	B4	B6	A5	B4	B7	B4	B4	B14	B8	B14	B9	B10	B11	B4	B7	B13	B4	B13	B4	B13	A14	C1	B14	B8	C2	C5	C12
SPEC NO.	VARIATION NUMBER																												
106271A		47	1	5	60	9	3	8	4	2	28	1	31	28	30	22	28	4	28	3	3	1		10	5		160	212	
106272A		48	1	5	60	9	3	8	4	2	28	1	31	28	30	22	28	4	28	3	3	1		11	2		162	205	
106273A	5	44	6	6	61	10	3	8	4	2	5	1	32	28	34	17	28	4	28	3	2	1		10	5		163	212	
106274A		43	1	5	400	10	3	8	4	2	28	1	30	28	30	17	28	4	28	3	3	1	4	14	4		156	208	21
106275A	5	44	6	6	61	10	3	8	4	2	5	1	32	28	34	17	28	4	28	3	2	1		17	8		164	214	
106276A	5	45	6	6	61	10	3	8	4	2	5	1	32	28	34	17	28	4	28	3	1	1		17	8		164	214	
106277A	5	45	6	6	61	10	3	8	4	2	5	1	32	28	34	17	28	4	28	3	1	1		17	8		164	215	
106278A	5	44	6	6	61	10	3	8	4	2	5	1	32	28	34	17	28	4	28	3	2	1		17	8		164	215	
106279A		41	1	5	54	10	3	8	4	2	28	1	7	28	30	17	28	4	28	3	3	1		12	9		153	218	
106280A		41	1	5	49	10	3	8	4	2	28	1	30	28	30	17	28	4	28	3	3	1		12	9		153	218	
106281A		41	1	5	54	10	3	8	4	2	28	1	7	28	30	17	28	4	28	3	3	1		12	9		153	218	
106282A		48	1	5	500	9	3	8	4	2	28	1	31	28	30	22	28	4	28	3	3	1		11	10	2	165	205	
106283A		43	1	5	649	10	3	8	4	2	28	1	30	28	30	17	28	4	28	3	3	1	3	13	4		156	206	
106284A		43	1	5	648	10	3	8	4	2	29	1	29	29	30	17	28	4	28	3	3	1	3	13	4		156	206	
106285A		43	1	5	54	10	3	8	4	2	28	1	7	28	30	17	28	4	28	3	3	1	4	14	4		156	208	23
106286A		43	1	5	649	10	3	8	4	2	28	1	30	28	30	17	28	4	28	3	3	1	3	13	4		156	207	
106287A		43	1	5	648	10	3	8	4	2	29	1	29	29	30	17	28	4	28	3	3	1	3	13	4		156	207	
106288A		43	1	5	800	10	3	8	4	2	28	1	30	28	30	17	28	4	28	3	3	1	4	14	4		156	208	23
106289A		43	1	5	700	10	3	8	4	2	29	1	29	29	30	17	28	4	28	3	3	1	4	14	4		156	208	24
106290A		41	1	5	649	10	3	8	4	2	28	1	30	28	30	17	28	4	28	3	3	1		12	9		153	216	
106291A		38	1	5	59	10	3	10	4	2	28	1	30	28	30	17	28	4	28	3	3	1		12	9		166	204	
106292A		47	1	5	9	9	3	8	4	2	28	1	31	28	30	22	28	4	28	3	3	1		11	10	2	160	205	
106293A		43	1	5	700	10	3	8	4	2	29	1	29	29	30	17	28	4	28	3	3	1	4	14	4		156	217	24
106294A		38	1	5	59	10	3	10	4	2	28	1	30	28	30	17	28	4	28	3	3	1		12	9		166	218	
106295A		43	1	5	54	10	3	8	4	2	28	1	7	28	30	17	28	4	28	3	3	1	3	13	4		167	207	
106296A		41	1	5	49	10	3	8	4	2	28	1	30	28	30	17	28	4	28	3	3	1		12	9		168	216	
106297A		41	1	5	49	10	3	8	4	2	28	1	30	28	30	17	28	4	28	3	2	1		12	9		153	218	
106298A		41	1	5	49	10	3	8	4	2	28	1	30	28	30	17	28	4	28	3	2	1		12	9		168	216	
106299A		47	1	5	60	9	3	8	4	2	28	1	31	28	30	22	28	4	28	3	3	1		16	11	3	169	213	
106300A		43	1	5	48	10	3	8	4	2	29	1	29	29	30	17	28	4	28	3	3	1	3	13	4		167	207	
106301A		47	1	5	60	10	3	8	4	2	28	1	31	28	30	22	28	4	28	3	3	1		11	2	2	159	205	
106302A		47	1	5	60	10	3	8	4	2	28	1	31	28	30	22	28	4	28	3	3	1		11	1	2	165	205	
106303A		47	1	5	60	10	3	8	4	2	28	1	31	28	30	22	28	4	28	3	3	1		11	2	2	162	205	
106304A		47	1	5	60	10	3	8	4	2	28	1	31	28	30	22	28	4	28	3	3	1		11	2	2	170	205	
106305A		47	1	5	60	10	3	8	4	2	28	1	31	28	30	22	28	4	28	3	3	1		11	10	2	160	205	
106315A		47	1	5	60	10	3	8	4	2	28	1	31	28	30	22	28	4	28	3	3	1		11	2	2	171		
106316A		47	1	5	60	10	3	8	4	2	28	1	31	28	30	22	28	4	28	3	3	1		11	2	2	172		
106317		43	1	5	54	10	3	8	4	2	28	1	7	28	30	17	28	4	28	3	3	1	3	13	12		173	219	
106318		43	1	5	54	10	3	8	4	2	28	1	7	28	30	17	28	4	28	3	3	1	4	14	12		173	220	23
106319		43	1	5	49	10	3	8	4	2	28	1	30	28	30	17	28	4	28	3	3	1	3	13	12		173	219	
106320		43	1	5	48	10	3	8	4	2	29	1	29	29	30	17	28	4	28	3	3	1	3	13	12		173	219	
106321		43	1	5	49	10	3	8	4	2	28	1	30	28	30	17	28	4	28	3	3	1	4	14	12		173	220	23
106322		43	1	5	48	10	3	8	4	2	29	1	29	29	30	17	28	4	28	3	3	1	3	14	12		173	220	24

SERIES 106

Carburetor Assembly 50 053 03 Group 5

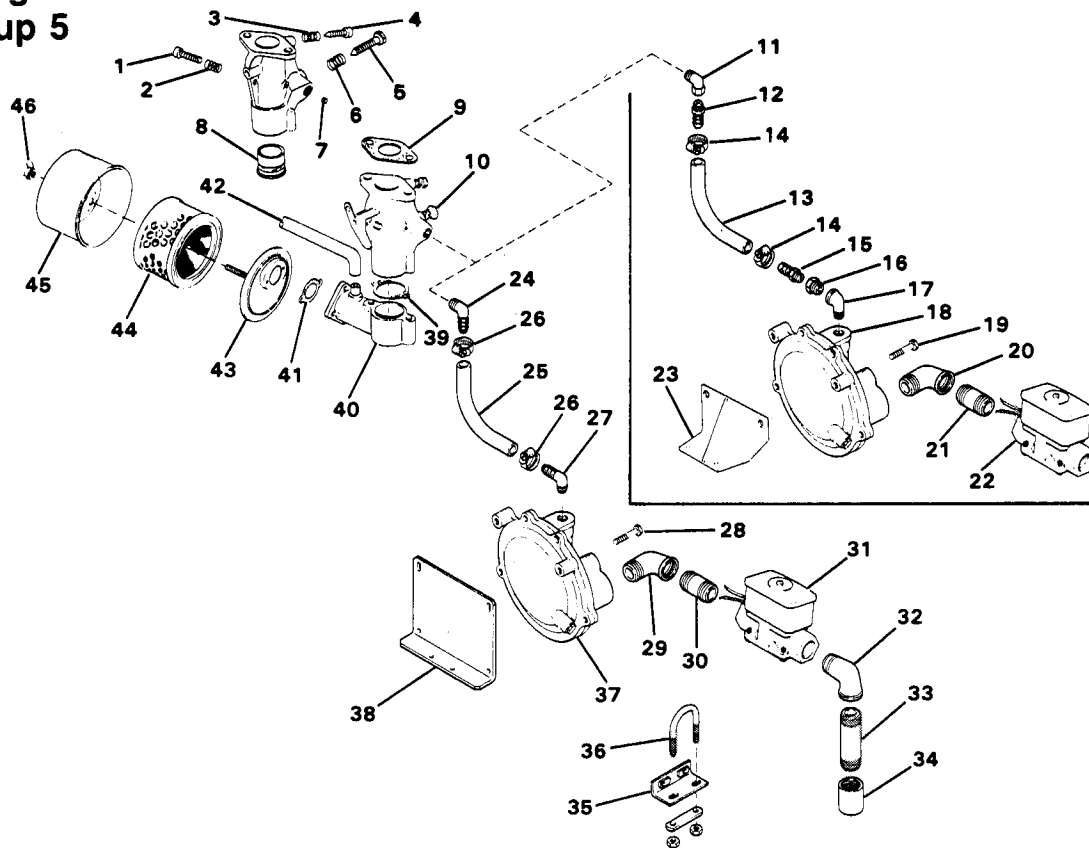


Item	Description	Part No.
1	Needle, main fuel adjusting	241242
2	Spring, main fuel adjusting needle	200383
3	Needle, idle fuel adjusting	200438
4	Spring, idle speed adjusting	232555
5	Gasket, fuel bowl	200375
6	Gasket, anti splash	25 041 02

Item	Description	Part No.
7	Float	25 757 03
8	Bowl, fuel	200418
9	Nut, fuel bowl	41 100 01
10	Pin, float hinge	200376
11	Repair Kit, carburetor	25 757 01
12	Repair Kit, choke	277469

SERIES 106

Carburetor, Straight Gas Group 5



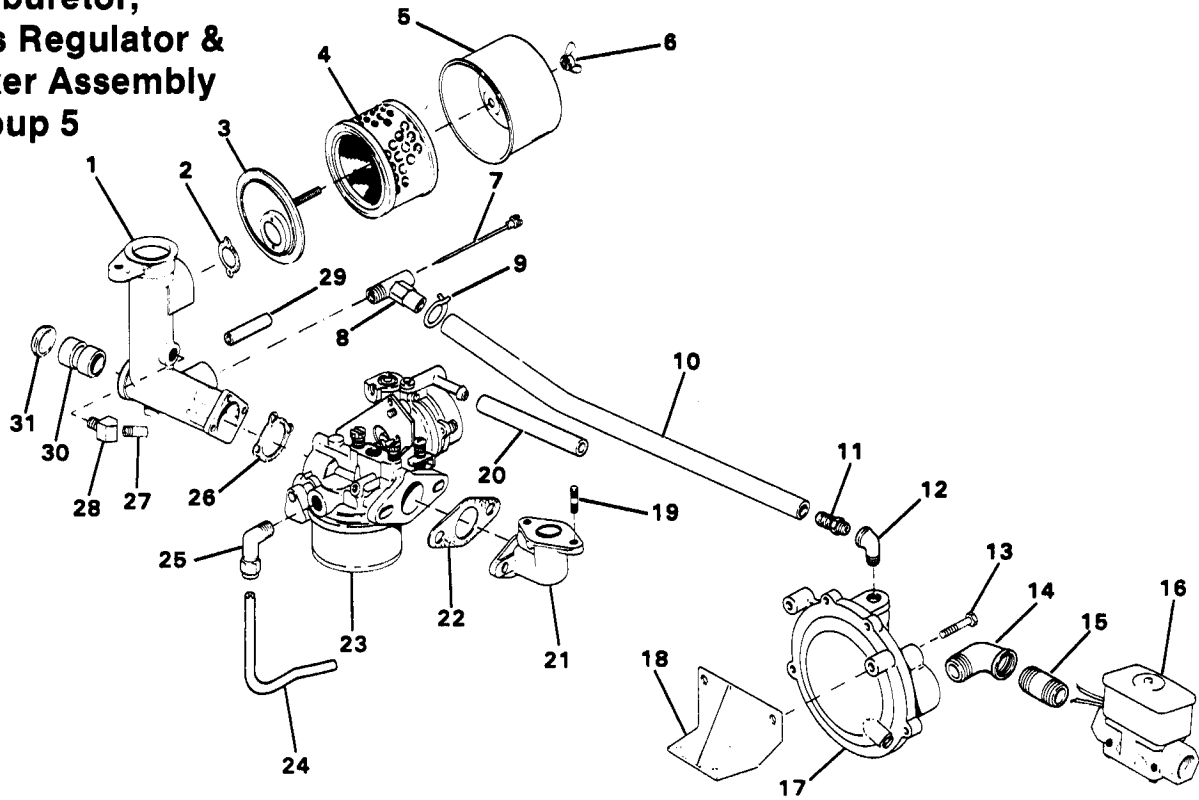
Item	Description Group	Part No. Variation No.	Item	Description Group	Part No. Variation No.
1	Screw, idle stop adjusting 5	234210 48,56,500, 648,700	8	Venturi 5	234212 (Discont'd) 48,56,500 648,700
2	Spring, idle screw (2) 5	234208 48,56,500 648,700	9	Gasket (2) 5	210223 48,56,500, 648,700
3	Spring, idle screw (2) 5	234208 48,56,500, 648,700	10	Carburetor 5	31 053 07 48,56,500, 648,700
4	Screw, idle 5	234206 48,56,500, 648,700	11	Elbow 5	47 283 08 48,56,648,700
5	Screw, load 5	232694 48,56,500, 648,700	12	Pipe nipple 5	X-226-3 48,56,648,700
6	Spring, load screw 5	234207 48,56,500, 648,700	13	Hose, flex 5	X-422-5 48,56,648,700
7	Screw, venturi set 5	234211 48,56,500, 648,700	14	Clamp, hose 5	X-426-3 48,56,648,700
			15	Pipe nipple 5	X-226-3 48,56,648,700

SERIES 106

Item	Description Group	Part No. Variation No.	Item	Description Group	Part No. Variation No.
16	Reducer 5	X-202-30 48,56,648,700	33	Pipe 5	46 136 01 500
17	Elbow 5	X-274-6 48,56,648,700	34	Pipe 5	X-216-13 500
18	Regulator 5	B-230695 48,56,648,700	35	Bracket, support 5	241915 500
19	Screw 5	X-776-1 48,648,700	36	Bolt, U 5	X-397-1 500
20	Elbow 5	SA-472 648,700	37	Regulator 5	B-230695 500
21	Pipe, nipple 5	X-206-9 648,700	38	Bracket 5	241880 500
22	Valve 5	244621 648,700	39	Gasket, air horn 5	220537 48,56,500, 648,700
23	Bracket 5	241407 48,648	40	Elbow assembly 5	241414 48,56,500, 648,700
24	Elbow 5	X-391-15 500	41	Gasket, air horn 5	220537 48,56,500, 648,700
25	Line, flex 5	X-6037-1 500	42	Fuel, flex line 5	X-386-40 48,56,500, 648,700
26	Clamp, hose 5	X-426-3 500	43	Base, air cleaner 5	241392 48,56,500, 648,700
27	Elbow 5	X-391-13 500	44	Element 5	231847 48,56,648,700
28	Screw 5	X-776-1 500		Element	50 083 01 500
29	Elbow 5	SA-472 500	45	Cover, air cleaner 5	231855 48,56,500, 648,700
30	Nipple 5	X-206-9 500	46	Wing nut 5	X-276-7 48,56,500, 648,700
31	Valve 5	244621 500			
32	Elbow 5	SA-472 500			

SERIES 106

Carburetor, Gas Regulator & Mixer Assembly Group 5



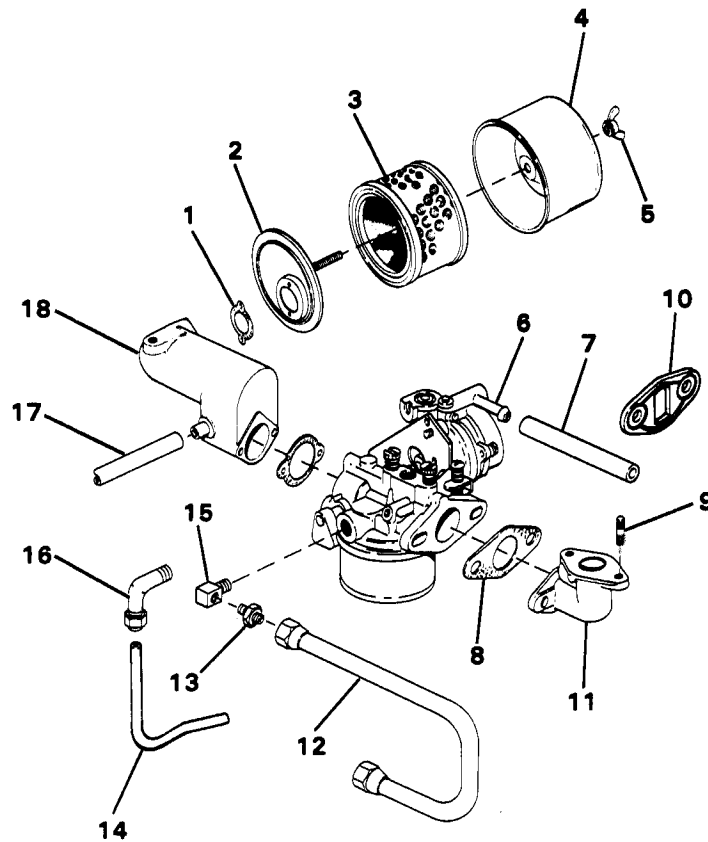
Item	Description Group	Part No. Variation No.	Item	Description Group	Part No. Variation No.
1	Mixer, elbow 5	241422 49,59,400, 649,800	9	Clamp, hose (2) 5	X-426-3 49,649
2	Gasket, air horn 5	220537 49,59,400, 649,800		Clamp, hose 5	X-423-9 400,800
3	Base, air cleaner 5	241392 49,59,400, 649,800	10	Line, flex fuel 5	X-423-15 49,649
4	Element 5	231847 49,59,400, 649,800	11	Nipple, pipe 5	X-582-2 49,400,649,800
5	Cover 5	231855 49,59,400, 649,800	12	Elbow 5	47 283 03 49,400,649,800
6	Nut, wing 5	X-276-7 49,59,400, 649,800	13	Screw 5	X-776-1 49,400,649,800
7	Valve, needle 5	150305 49,59,400, 649,800	14	Elbow 5	SA-472 649,800
8	Body, valve 5	220482 49,59,400, 649,800	15	Nipple 5	X-206-9 649,800
			16	Valve 5	244621 649,800
			17	Regulator 5	B-230695 49,400,649,800
			18	Bracket 5	241407 49,649

SERIES 106

Item	Description Group	Part No. Variation No.	Item	Description Group	Part No. Variation No.
19	Stud (2) 5	50 072 02 49,59,400, 649,800	25	Elbow 5	X-265-1 49,59,400, 649,800
20	Line, breather 5	X-386-46 49,59,400 649,800	26	Gasket 5	241386 49,59,400, 649,800
21	Elbow, intake 5	241365 49,59,400, 649,800	27	Nipple, pipe 5	X-483-1 49,59,400, 649,800
22	Gasket (2) 5	210223 49,59,400, 649,800	28	Elbow 5	256025 49,59,400, 649,800
23	Carburetor 5	50 053 03 49,59,400, 649,800	29	Hose 5	X-484-19 49,59,400 649,800
24	Line, fuel 5	241344 49,59,400, 649,800	30	Venturi 5	230471 49,59,400 649,800
			31	Plug (2) 5	X-230-20 49,59,400, 649,800

SERIES 106

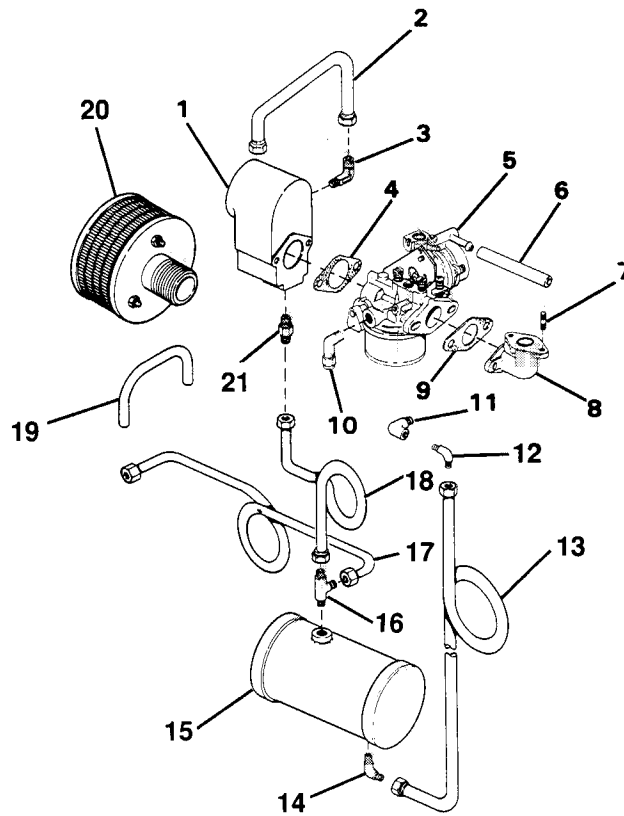
Carburetor- Motor Home Group 5



Item	Description Group	Part No. Variation No.	Item	Description Group	Part No. Variation No.
1	Gasket, air horn (2) 5	220537 54,60	9	Stud (2) 5	50 072 02 54,60
2	Base, air cleaner 5	241392 54,60	10	Gasket 5	277649 60
3	Element, air cleaner 5	50 083 01 60	11	Elbow, intake 5	241365 54,60
	Element, air cleaner 5	231847 54	12	Line, fuel 5	50 353 09 54,60
4	Cover, air cleaner 5	231855 54,60	13	Connector 5	X-296-1 60
5	Nut, wing 5	X-276-7 54,60	14	Line, fuel 5	241344 54
6	Carburetor (For breakdown of carburetor assembly see page 3) 5	50 053 03 54,60	15	Elbow 5	X-555-2 60
7	Hose, breather 5	X-386-25 54,60	16	Elbow, compression 5	X-265-1 54
8	Gasket, carburetor (2) 5	210223 54,60	17	Tube, neoprene 5	241370 54,60
			18	Elbow, air cleaner 5	50 534 01 54,60

SERIES 106

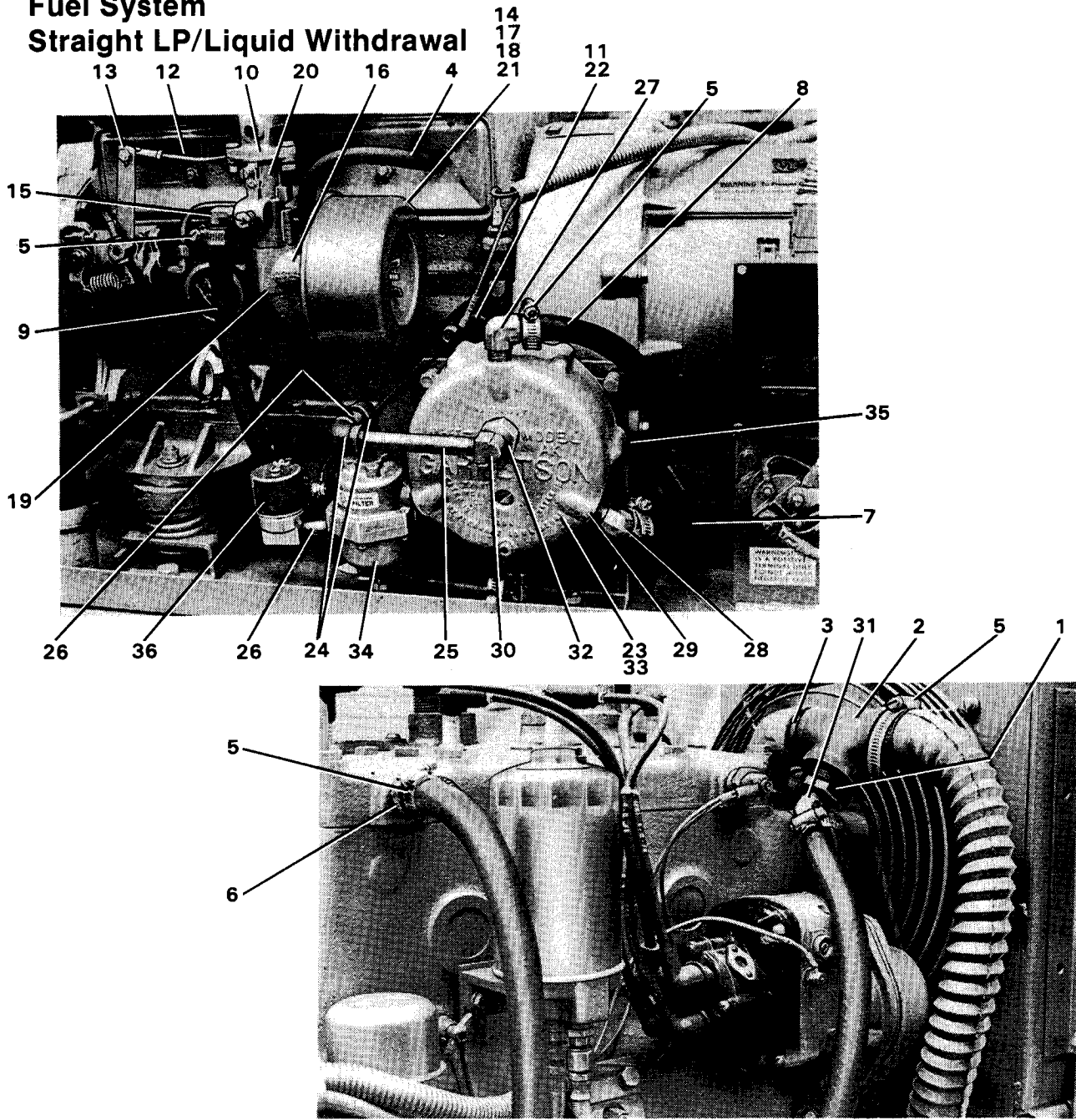
Drip Collection System



Item	Description Group	Part No. Variation No.	Item	Description Group	Part No. Variation No.
1	Air cleaner elbow 5	50 054 03 61	12	Connector, elbow 5	X-265-1 61
2	Fuel line 5	241344 61	13	Tube 5	50 353 07 61
3	Elbow, compression 5	B-892 61	14	Connector, elbow 5	X-265-1 61
4	Gasket, air horn 5	241258 61	15	Tank 5	50 065 01 61
5	Carburetor (For breakdown of carburetor see page 3) 5	50 053 03 61	16	Adapter 5	50 451 01 61
6	Line, flex fuel 5	X-386-25 61	17	Tube 5	50 353 06 61
7	Stud (2) 5	50 072 02 61	18	Tube 5	50 353 05 61
8	Elbow, intake 5	241365 61	19	Line, breather 1	241246 5
9	Gasket, flange (2) 5	210223 61	20	Arrestor, flame 1	241476 5
10	Elbow, compression 5	X-265-1 61	21	Connector 5	D-244 61
11	Elbow 5	X-555-2 61			

SERIES 106

Fuel System Straight LP/Liquid Withdrawal



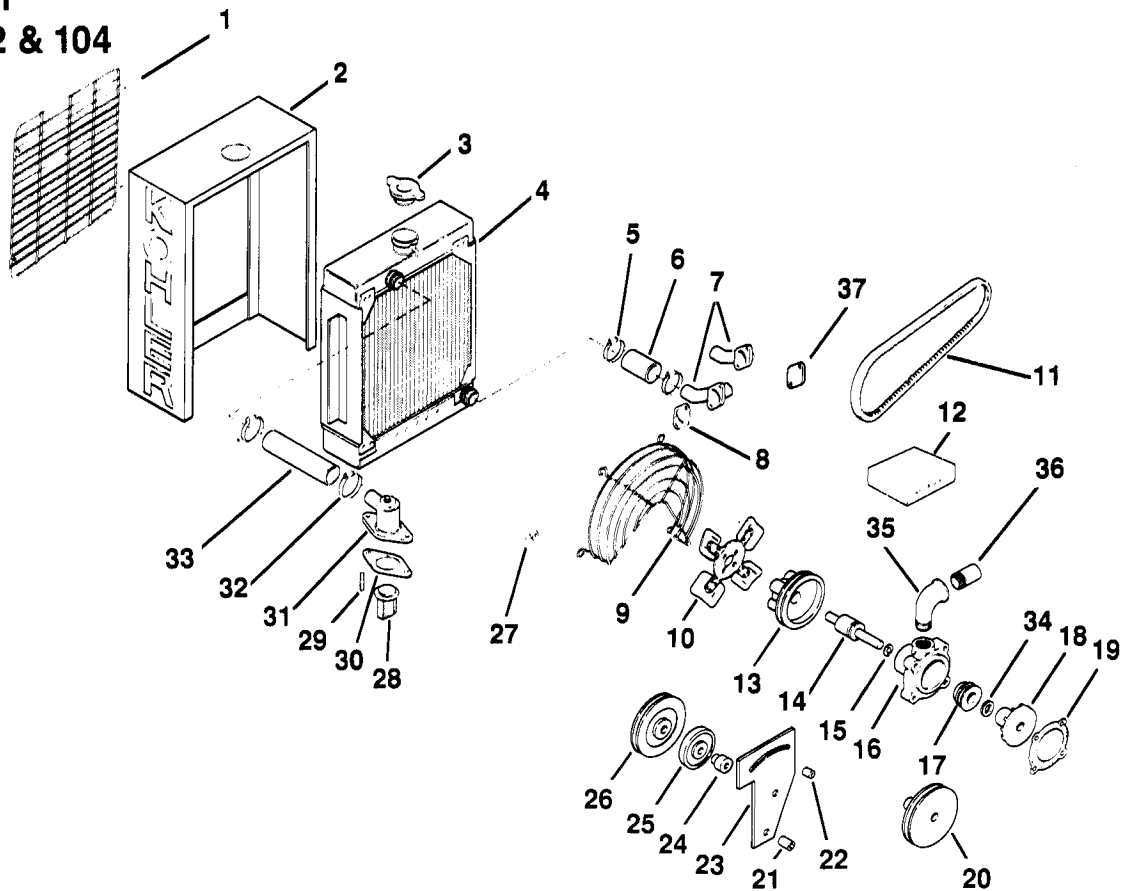
Item	Description Group	Part No. Variation No.	Item	Description Group	Part No. Variation No.
1	Bushing 5	X-202-3 9	5	Clamp, hose (6) 5	X-426-3 9
2	Tee 5	X-203-2 9	6	Connector 5	X-582-5 9
3	Nipple 5	X-218-24 9	7	Hose, 40" 5	X-612-7 9
4	Line, breather 5	X-386-40 9	8	Hose, 47" 5	X-612-16 9

SERIES 106

Item	Description Group	Part No. Variation No.	Item	Description Group	Part No. Variation No.
9	Hose, 18" 5	X-6037-3 9	23	Regulator/Vaporizer Assembly 5	A-241925 9
10	Gasket, flange (2) 5	210223 9	24	Elbow, 90° (2) 5	X-215-5 9
11	Gasket, fuel pump 5	240260 9	25	Nipple 5	X-220-2 9
12	Rod, governor 5	241408 9	26	Nipple (2) 5	X-220-6 9
13	Clip, retainer 5	241409 9	27	Connector, hose 90° 5	X-391-13 9
14	Nut, wing 5	X-276-7 9	28	Connector, hose 90° 5	X-391-15 9
15	Connector 5	X-391-15 9	29	Spacer 5	X-400-100 9
16	Gasket, air horn 5	220537 9	30	Elbow, 90° 5	X-555-1 9
17	Cover, air cleaner 5	231855 9	31	Connector, hose 45° 5	X-800-1 9
18	Base, air cleaner 5	241392 9	32	Bushing, reducer 5	D-2159 9
19	Elbow, air cleaner 5	241414 9	33	Regulator/Vaporizer 5	241920 9
20	Carburetor 5	31 053 07 9	34	Filter, fuel 5	241921 9
21	Element, air cleaner 5	50 083 01 9	35	Bracket 5	241922 9
22	Cover, fuel pump 5	285601 9	36	Valve 5	241923 9

SERIES 106

Cooling System Radiator Group 2 & 104



Item	Description Group	Part No. Variation No.	Item	Description Group	Part No. Variation No.
1	Grill, radiator	241466		Elbow, water inlet	241446
2	Grill, radiator	39,46,47,48	2		38,41,42
	Grill, radiator	241357	8	Gasket, flange	240168
	104	3	2		32,38,39, 41,42,43, 46,47,48
2	Shroud, radiator	241358	9	Guard, fan	241360
	104	4	2		32,38,39, 41,43,46,48
3	Radiator cap	258037		Guard, fan	50 314 06
2		32,38,39,41, 43,46,47,48	2		47
4	Radiator assembly	A-241346	10	Fan	241375
2		32,38,39,41, 43,46,47,48	2		32,38,39, 41,43,46,48
5	Clamp (2)	X-426-4		Fan	50 157 01
2		32,38,39,41, 43,46,47,48	2		47
6	Hose, lower	240192	11	Belt	235312
2		32,38,39, 41,42,43	2		32,38,39, 41,42,43, 46,47,48
	Hose, lower	50 326 01	12	Water pump repair kit	240648
2		46,47,48	2		32,38,39, 41,42,43
7	Elbow, water inlet	241403			
2		32,39,43			

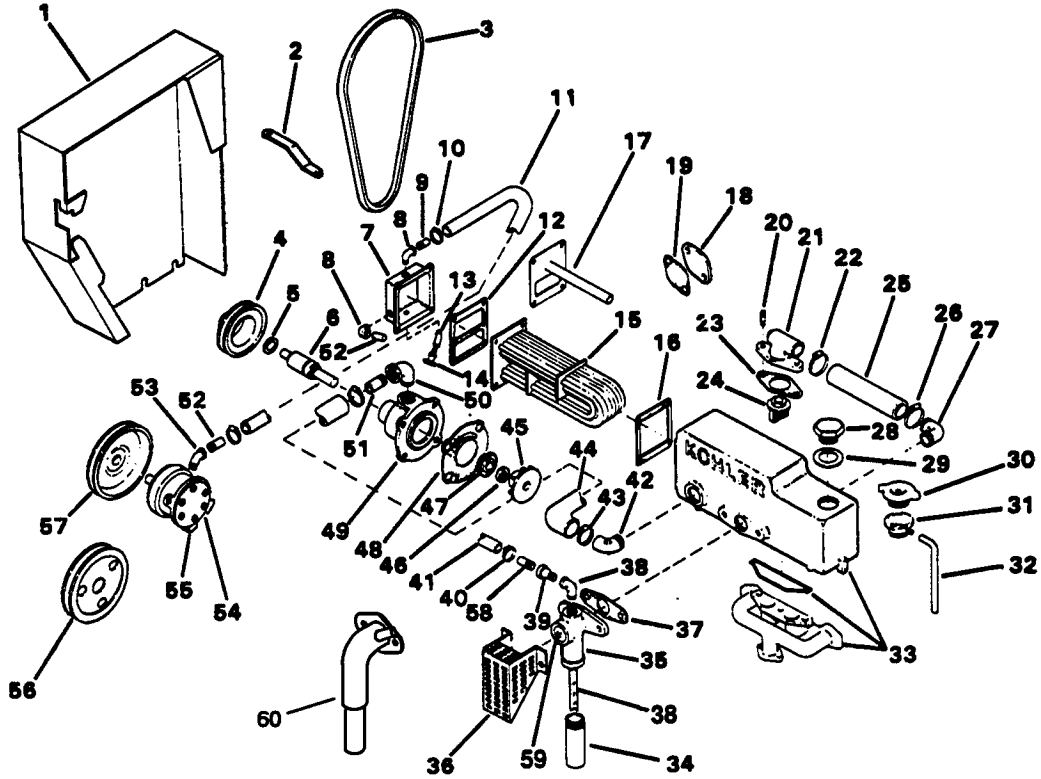
THIS PAGE INTENTIONALLY LEFT BLANK.

SERIES 106

Item	Description Group	Part No. Variation No.	Item	Description Group	Part No. Variation No.
13	Pulley, fan 2	241355 32,38,39, 41,42,43,46	23	Bracket, pulley 2	241353 32,38,39, 41,42,43, 46,47,48
	Pulley, fan 2	50 093 01 47,48	24	Spacer 2	241436 32,38,39, 41,42,43, 46,47,48
14	Bearing, pump 2	241056 32,38,39, 41,42,43	25	Bearing, ball 2	241435 32,38,39, 41,42,43, 46,47,48
	Bearing, pump 2	50 030 02 46,47,48	26	Pulley, idler 2	241434 32,38,39, 41,42,43, 46,47,48
15	Snap ring 2	240154 32,38,39, 41,42,43, 46,47,48	27	Clip 2	X-672-7 43
16	Water pump 2	50 393 09 32,38,39, 41,42,43	28	Thermostat 2	50 453 02 32,38,39, 41,42,43, 46,47,48
	Water pump 2	50 393 14 46,47,48	29	Stud (2) 2	240159 32,38,39, 41,42,43, 46,47,48
17	Seal, water pump 2	240300 32,38,39, 41,42,43, 46,47,48	30	Gasket, thermostat 2	240160 32,38,39, 41,42,43, 46,47,48
18	Impeller, pump (Use on water pump A-241361) 2	50 328 03 32,38,39, 41,42,43	31	Housing, thermostat 2	240162 32,38,39, 41,42,43,46
	Impeller, pump (Use on water pump 50 393 09) 2	50 328 03 32,38,39, 41,42,43	32	Clamp (2) 2	X-426-4 38,39,41, 43,46
	Impeller, pump 2	50 328 02 46,47,48	33	Radiator hose 2	X-418-2 32,38,39,41, 43,46,47,48
19	Gasket, pump 2	240146 32,38,39, 41,42,43, 46,47,48	34	Seal 2	50 032 01 32,38,39, 41,42,43
20	Pulley, crankshaft 2	241394 32,38,39, 41,42,43, 46,47,48	35	Elbow 2	151385 46,47,48
21	Spacer 2	X-400-26 32,38,39, 41,42,43, 46,47,48	36	Nipple 2	50 136 03 46,47,48
22	Spacer 2	153641 32,38,39, 41,42,43, 46,47,48	37	Plate 2	50 146 04 46,47,48

SERIES 106

Cooling System Group 2



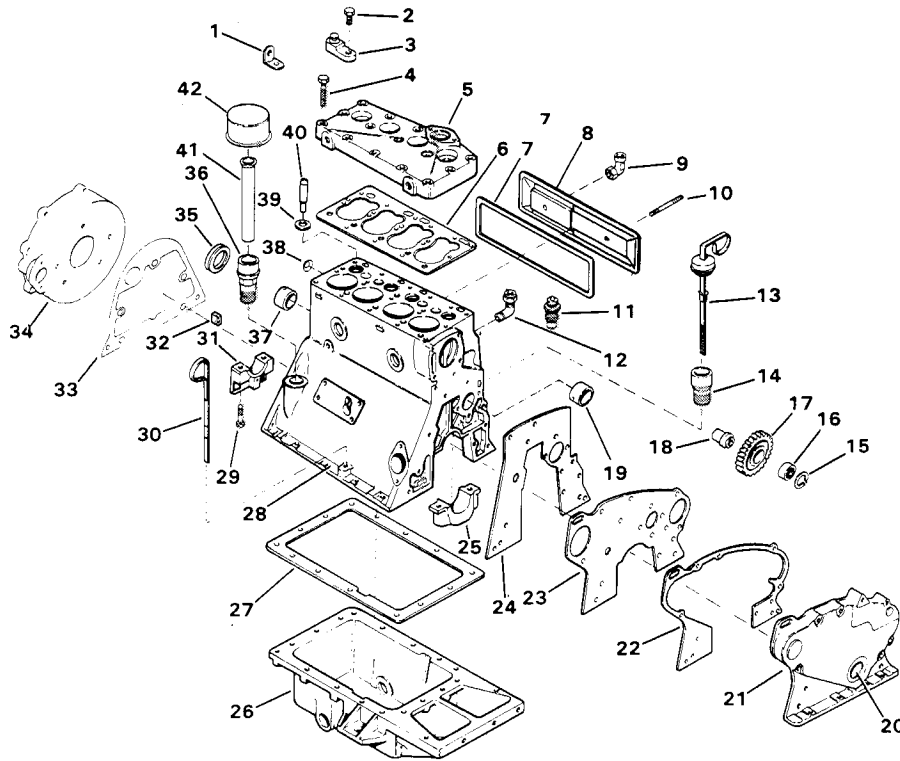
Item	Description Group	Part No. Variation No.	Item	Description Group	Part No. Variation No.
1	Guard, belt	241473	9	Pipe	50 136 02
2	Guard, belt	24,31	2		24,31,44
2	Bracket, belt guard	50 315 01			45
2		44,45	10	Clamp (2)	X-426-3
2		24,31,44	2		24,31,44
2		45			45
3	Belt, pump	240788	11	Hose, oil proof	241525
2		24,31,44	2		24,31,44
		45			45
4	Pulley, water pump	241284	12	Gasket	241260
2		24,31,44	2		24,31,44
		45			45
5	Ring, snap	240154	13	Elbow, street	X-274-4
2		24,31,44	2		24,31,44
		45			45
6	Water pump bearing	50 030 02	14	Drain	X-256-2
2		24,31,44	2		24,31,44
		45			45
7	Manifold cap	241278	15	Bundle, tube	241279
2		24,31,44	2		31,44
		45			45
8	Street elbow (2)	X-211-8	16	Gasket	241261
2		24,31,44	2		24,31,44
		45			45
			17	Plate	241291
			2		24,31,44
					45

SERIES 106

Item	Description Group	Part No. Variation No.	Item	Description Group	Part No. Variation No.
18	Plate, cover 2	50 146 04 24,31,44, 45	39	Bushing, reducer 12	X-202-28 5,30
19	Gasket 2	240168 24,31,44, 45	40	Clamp 12	X-426-3 5,30,31
20	Stud (2) 2	240159 24,31,44, 45	41	Hose, rubber 12	X-312-27 5,30
21	Elbow, water outlet 2	240825 24,31,44, 45	42	Elbow 2	266076 24,31,44, 45
22	Clamp 2	X-426-8 24,31,44, 45	43	Clamp (2) 2	X-426-4 24,31,44, 45
23	Gasket 2	240160 24,31,44, 45	44	Hose, molded 2	X-693-4 24,31,44, 45
24	Thermostat Kit (140°) Thermostat Kit (170°) 2	50 755 17 50 755 16 24,31,44, 45	45	Impeller 2	50 328 02 24,31,44, 45
25	Hose 2	X-272-19 24,31,44, 45	46	Seal 2	50 032 01 24,31,44, 45
26	Clamp (1) 2	X-426-8 24,31,44, 45	47	Seal 2	240300 24,31,44, 45
27	Elbow 2	266076 24,31,44, 45	48	Gasket, pump 2	240146 24,31,44, 45
28	Plug 2	241288 24,45	49	Water pump (engine) 2	50 393 12 24,31,44, 45
29	Gasket, plug 2	241289 24,45	50	Elbow 2	151385 24,31,44, 45
30	Cap 2	258126 31,44	51	Nipple 2	50 136 03 24,31,44, 45
31	Neck 2	50 940 01 31,44	52	Pipe 2	50 136 02 24,31,44, 45
32	Tube, hose 2	X-386-32 31,44	53	Elbow 2	47 283 07 24,31,44, 45
33	Manifold assembly (Manifold gasket 241274) 2	A-241266 24,31,44, 45	54	Pump (sea water raw) 2	A-240777 24,31,44, 45
34	Pipe 12	Order item 60 5,30	55	Bracket 2	241277 24,31,44, 45
35	Elbow, exhaust 12	Order item 60 5,30	56	Pulley 2	240144 24,31,44, 45
36	Guard 12	50 314 05 44,45	57	Pulley, water pump 2	240791 24,31,44, 45
37	Gasket 12	241254 5,30,31	58	Pipe 12	50 136 02 5,30
38	Tube, diffusion water 12	Order item 60 5,30	59	Plug 12	X-75-19 5,30
			60	Tube, stainless steel 12	241640 5,30

SERIES 106

Breather & Vents, Crankcase, Cylinder Head, Dipstick, Oil Pan Gear Cover, High Temperature Cutout Group 3, 7, 9, 10, 21, 26 & 31



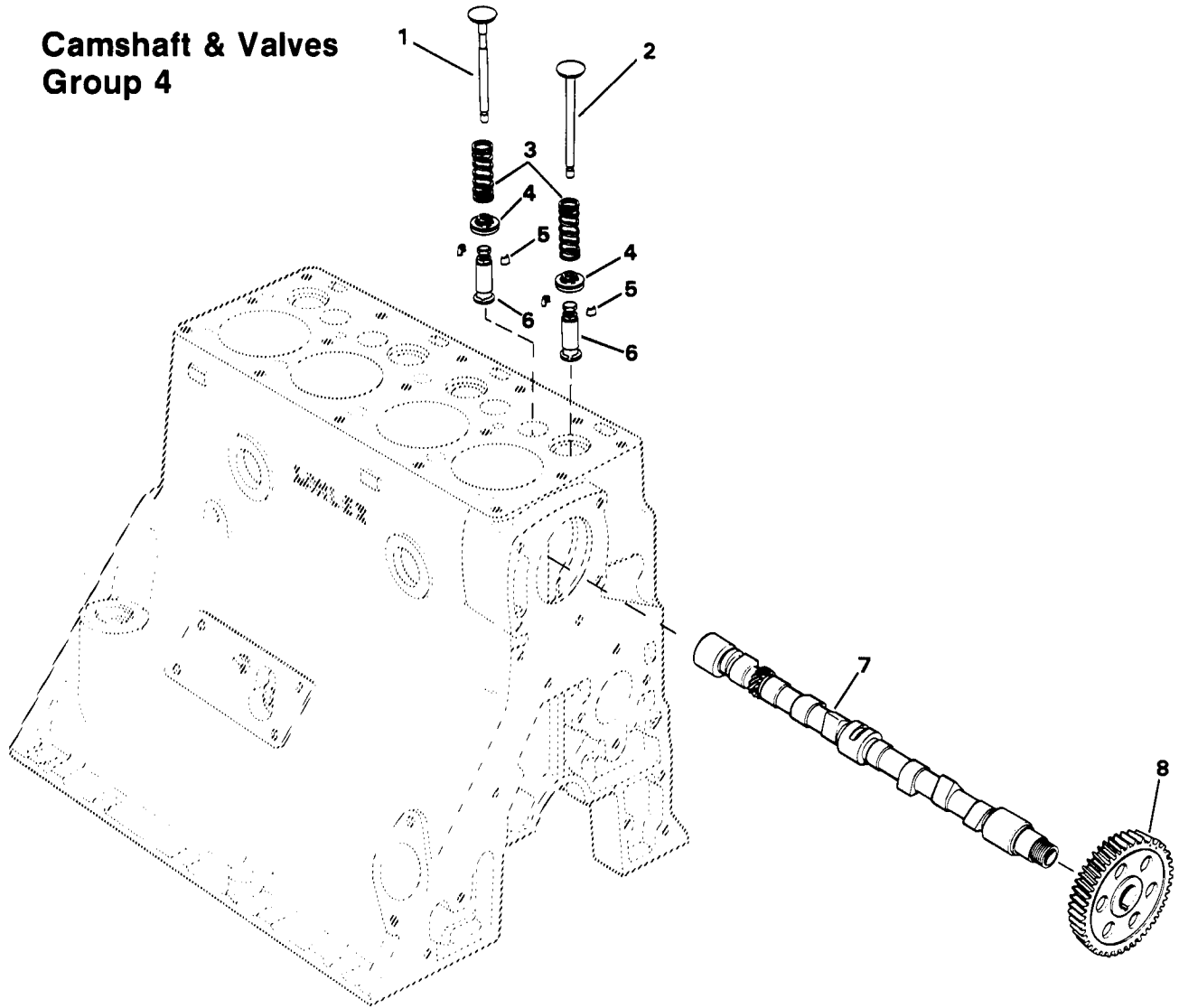
Item	Description Group	Part No. Variation No.	Item	Description Group	Part No. Variation No.
1	Strap, lifting (2) 9	241519 8,10	10	Stud, valve cover (2) 3	240726 1,6
2	Bolt 112	235175 1,5,8	11	Hi-temperature cutout switch 31	240976 1
3	High temperature switch (Marine only) 112	247094 1,5,8		Hi-temperature cutout switch 31	241308 2
4	Screw, head cap (14) 9	240158 8,10		Hi-temperature cutout switch 31	241481 3
5	Head, cylinder 9	50 015 01 8,10	12	Elbow 7	A-822 9,10
6	Gasket, head 9	241453 8,10	13	Dipstick 10	241439 4
7	Gasket, valve cover 3	240163 1,6	14	Tube 10	237012 4
8	Cover, valve 3	241259 1,6	15	Snap, ring (2) 26	7035 28
9	Elbow 3	X-344-3 6	16	Bearing, idler gear 26	240132 28

SERIES 106

Item	Description Group	Part No. Variation No.	Item	Description Group	Part No. Variation No.
17	Gear, idler 26	240133 28	31	Cap, bearing rear 7	240399 (Disct.) 9,10
18	Bushing, idler gear 26	240130 28	32	Seal, rear bearing (2) 7	240401 9,10
19	Bushing, camshaft (front) 7	240018 9,10	33	Gasket, bell housing 7	5004101 9,10
20	Seal, oil front 26	240143 28	34	Bell housing 7	Not serviceable 9,10
21	Cover, gear 26	241376 28	35	Seal, rear oil 7	240178 9,10
22	Gasket, gear cover 26	240140 28	36	Adapter, breather 3	240170 1,6
23	Plate, front support 26	240128 28	37	Bushing, camshaft (2) (rear and center) 7	240020 9,10
24	Gasket, front support 26	240127-1 28	38	Expansion plug 7	X-230-20 9,10
25	Cap, bearing (2) (front and center) 7	240094 (Disct.) 9,10	39	Insert, exhaust valve (4) 7	240008 9,10
26	Oil, pan 21	241251 17,22		Insert, intake valve (4) 7	240731 9,10
27	Gasket, oil pan 21	240403 17,22	40	Guide, valve (8) 7	240007 9,10
28	Block, cylinder 7	A-241462 9,10	41	Pipe, breather 3	240796 1,6
29	Screw, main bearing cap (6) 7	240097 9,10	42	Breather 3	B-240172 1,6
30	Dipstick 10	241271 4			

SERIES 106

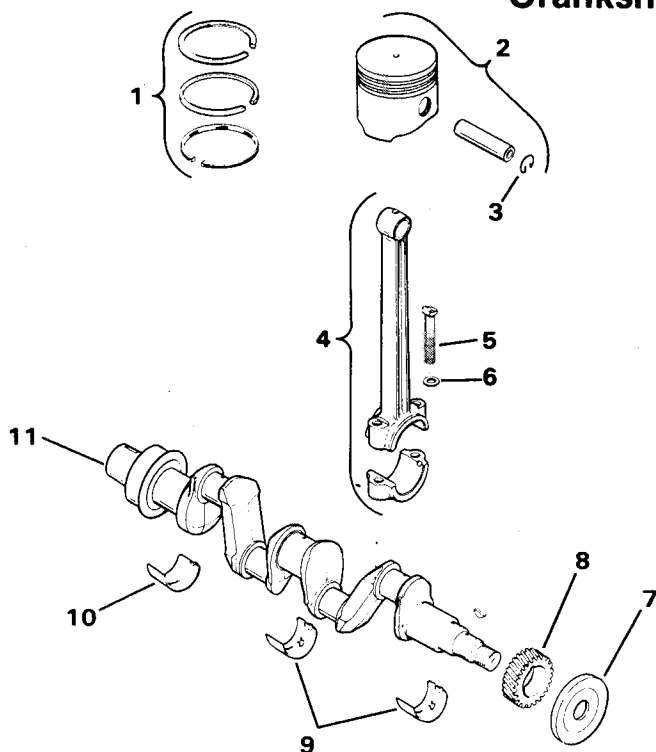
Camshaft & Valves Group 4



Item	Description Group	Part No. Variation No.	Item	Description Group	Part No. Variation No.
1	Valve, exhaust (4) 4	240360 5,6	5	Key, spring lock (16) 4 (Valve Keeper)	41 755 10 5,6
2	Valve, intake 4	241399 5,6	6	Tappet, valve assembly (8) 4	D-240327 5,6
3	Spring, valve (8) 4	240704 5	7	Camshaft 4	241532 5,6
	Spring, valve (8) 4	241023 6	8	Gear, camshaft 4	240135 5,6
4	Rotator, valve (8) 4	240702 5,6	9	Nut, stop 7/8-14 (not shown)	X-101-2 5,6

SERIES 106

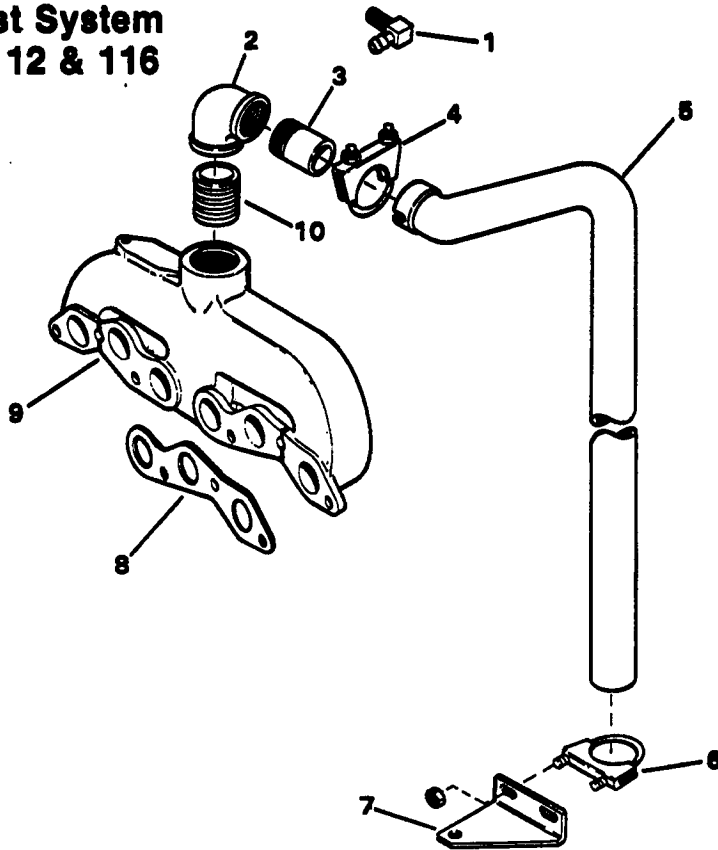
Crankshaft & Piston Assembly (Includes Bearings) Group 7, 8, & 22



Item	Description Group	Part No. Variation No.	Item	Description Group	Part No. Variation No.
1	Ring Set (std) (4)	31 108 05	9	Bearing, main (2)	50 755 06
	Ring Set - .010	31 108 06		(front and center)	
	Ring Set - .020	31 108 07		7	9,10
	Ring Set - .030	31 108 08		Bearing, main — std. (pr.)	50 755 06
	22	28		(front and center)	
2	Piston Assembly (std) (4)	50 074 03	1	Bearing, main — .002 U.S.	50 755 07
	Piston Assembly - .010	50 074 04		Bearing, main — .010 U.S.	50 755 08
	Piston Assembly - .020	50 074 05		Bearing, main — .020 U.S.	50 755 09
	Piston Assembly - .030	50 074 06		Bearing, main — .030 U.S.	50 755 10
	22	28		Bearing, rear — std. (pr.)	240585
3	Retainer, Pin (8)	230004		1	
	22	28		Bearing, rear — .002 U.S.	240586
4	Rod, connecting (4)	A-241380		Bearing, rear — .010 U.S.	240587
	Rod, connecting - .010	A-241380-10		Bearing, rear — .020 U.S.	240588
	22	28		Bearing, rear — .030 U.S.	240589
5	Screw, connecting rod	241317	10	Bearing, main rear	240585
	22	28		7	9,10
6	Washer, connecting rod (2)	41 468 01	11	Crankshaft	241337
	22	28		8	3
7	Oil, slinger	240139			
	26	28			
8	Gear, drive	240138			
	8	3			

SERIES 106

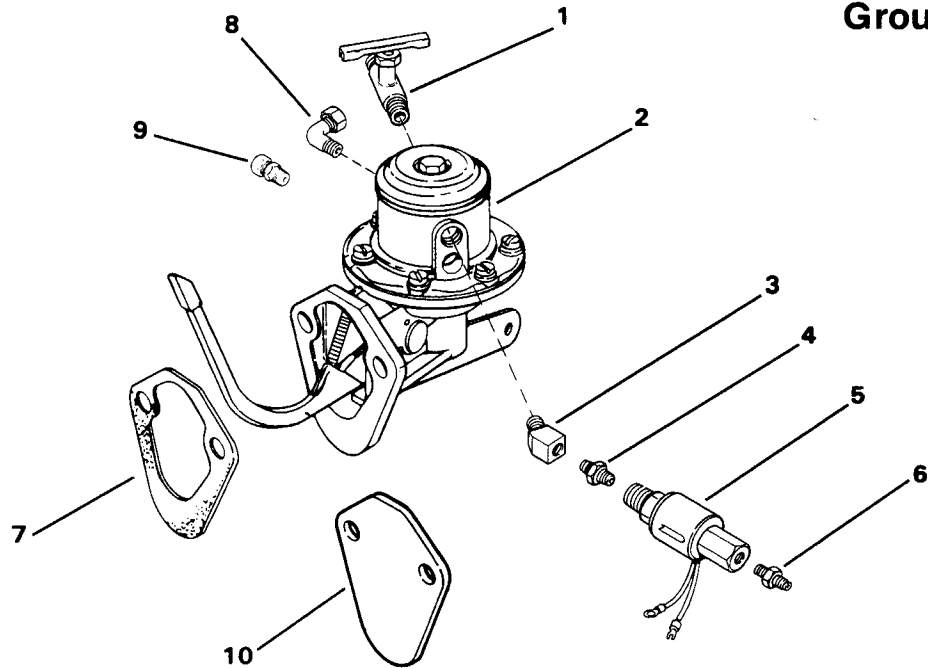
Exhaust System Group 12 & 116



Item	Description Group	Part No. Variation No.	Item	Description Group	Part No. Variation No.
1	Elbow, hose 12	25 155 02 28	6	Clamp 116	237548 2
2	Elbow 116	X-215-14 2,3	7	Bracket 116	241688 2
3	Pipe, nipple 116	X-224-1 2	8	Gasket, manifold (2) 12	240165 5,28,29
4	Clamp 116	277706 2	9	Manifold, exhaust and intake 12	50 164 01 28,29
5	Tube, exhaust 116	241691 2	10	Pipe, nipple 116	X-210-8 2,3

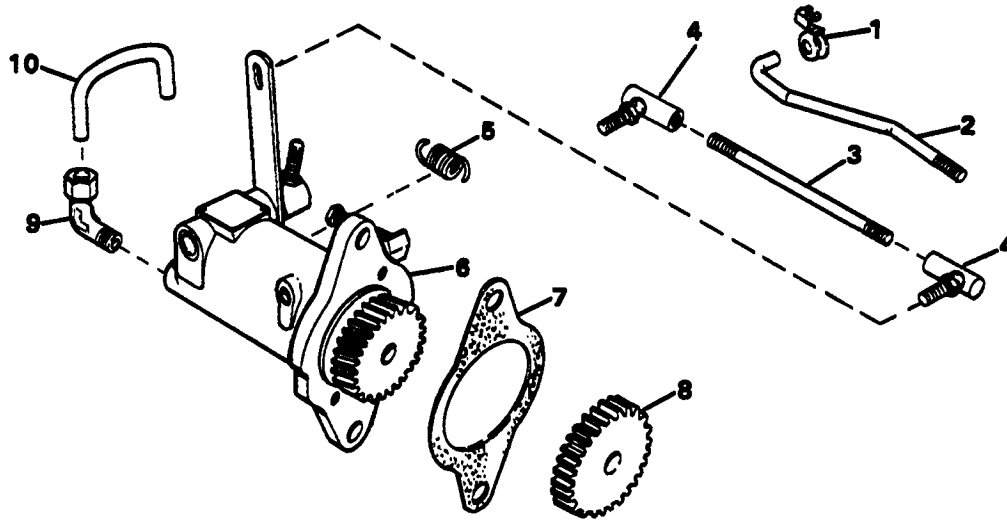
SERIES 106

Fuel Pump Group 14



Item	Description Group	Part No. Variation No.	Item	Description Group	Part No. Variation No.
1	Valve, shut off 14	270724 30	6	Connector (2) 14	X-296-1 31
2	Fuel Pump (2 holes) 14	A-241196 7,30,31	7	Gasket, fuel pump 14	240260 All
	Fuel Pump, marine (3 holes) 14	50 393 06 32	8	Connector 14	X-265-1 32
	Fuel Pump 14	50 393 08 34	9	Connector, compression 14	D-244 7,30,32
3	Elbow, street 14	256025 31	10	Cover 14	285601 29
4	Nipple 14	X-773-1 31			
5	Valve, fuel 14	47 462 02 31			
				Note: Repair Kit for All 241197	

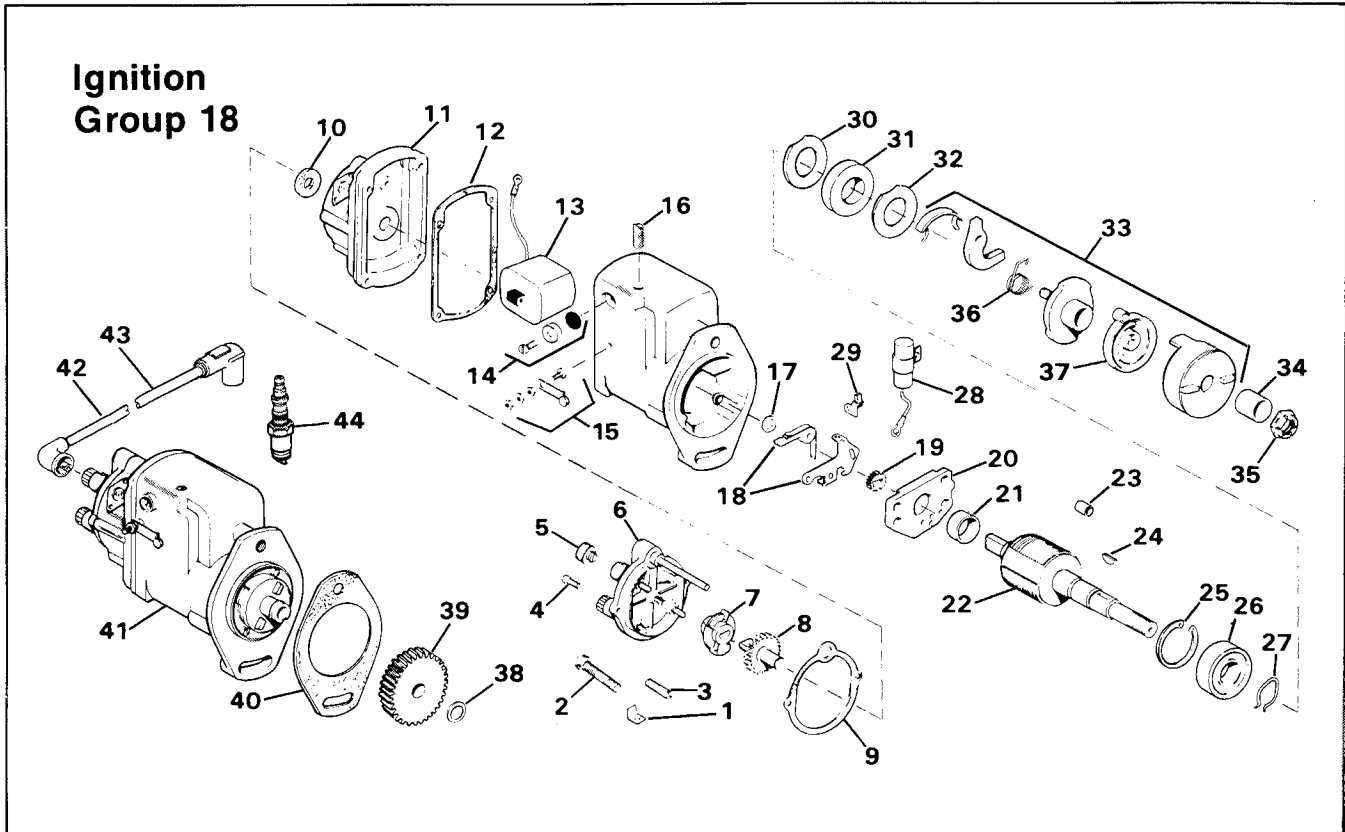
Governor Group 17



Item	Description Group	Part No. Variation No.	Item	Description Group	Part No. Variation No.
1	Clip, retainer 17	241409 29	6	Governor 17	50 310 01 28,29
2	Rod 17	241408 29	7	Gasket, governor 17	240195 28,29
3	Rod 17	X-352-8 28	8	Gear, governor 17	240818 28,29
4	Joint, ball (2) 17	237130 28,29	9	Elbow 17	A-822 28,29
5	Spring, governor 17	240216 28,29	10	Line, oil 17	50 353 08 28,29

THIS PAGE INTENTIONALLY LEFT BLANK.

SERIES 106



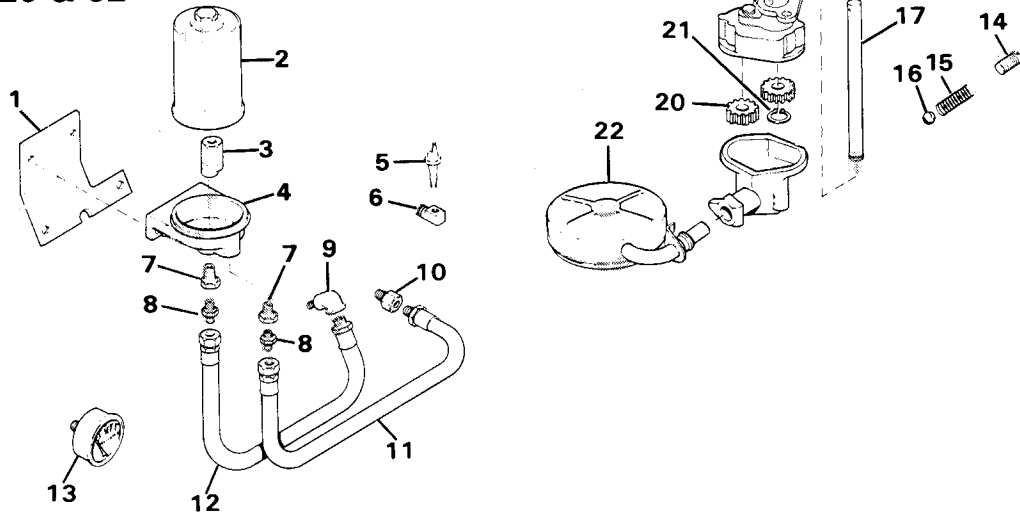
Item	Description Group	Part No. Variation No.	Item	Description Group	Part No. Variation No.
1	Clip, rotor spring 18	266769 (Discont'd) 30	13	Coil 18	241045 30,32,34
2	Screw, end cap cover (4) 18	241131 30	14	Kit, housing screen (2) 18	241516 (Disct.) 30
3	Pin, pawl stop 18	241175 30	15	Switch, ground 18	266833 30
4	Screw, end cap cover (2) 18	266298 30	16	Setscrew, coil (2) 18	241181 (Disct.) 30
5	Knob, cable outlet (4) 18	266475 30	17	Ring, fulcrum pin snap 18	153981 30
6	Cap, distributor 18	241455 30,32,34	18	Points, breaker 18	266240 30,32,34
7	Rotor, distributor 18	241047 30,32,34	19	Gear, rotor 18	241070 30,32,34
8	Gear, distributor shaft 18	241498 30,32,34	20	Support, bearing 18	241177 30,32,34
9	Gasket, distributor cap 18	266906 30,32,34	21	Bearing, rotor cam end 18	270759 30,32,34
10	Seal, distributor shaft 18	241501 30,32,34	22	Rotor, magnetic 18	241497 (Discont'd) 30
11	Cap, end 18	A-241057 30	23	Bearing 18	153886 30,32,34
	Cap, end 18	50 173 01 32,34	24	Key, impulse 18	266285 30
12	Gasket, end cover cap 18	153996 30,32,34	25	Ring, rotor end bearing snap 18	153982 30

SERIES 106

Item	Description Group	Part No. Variation No.	Item	Description Group	Part No. Variation No.
26	Bearing, rotor drive end 18	153888 30,32,34	37	Spring 18	153957-1 30
27	Ring, rotor gear snap 18	153983 (Disct.) 30	38	Washer 18	270889 30,32,34
28	Condenser 18	266562 30,32,34	39	Gear, magneto 18	240591 30,32,34
29	Wick and holder 18	A-266311 30,32,34	40	Gasket, magneto 18	240295 30,32,34
30	Washer, rotor seal (inner) 18	266264 (Disct.) 30	41	Magneto 18	A-241366 30
31	Seal, rotor drive end 18	153890 (Disct.) 30		Magneto 18	50 138 05 32,34
32	Washer, rotor seal (outer) 18	153995 (Disct.) 30	42	Cable (4 cylinder) 18	238057 30
33	Coupling, impulse (incl. 36 & 37) 18	241173 30,32,34		Cable (4 cylinder) 18	48 348 03 32,34
34	Bushing, gear 18	270758 30,32,34	43	Cable (3) (1,2,3, cylinder) 18	238057 30
35	Nut, coupling 18	270773 30		Cable (3) (1,2,3 cylinder) 18	48 348 02 32,34
36	Spring (2) 18	266319 30	44	Spark plug 18	41 132 06 30,32,34

SERIES 106

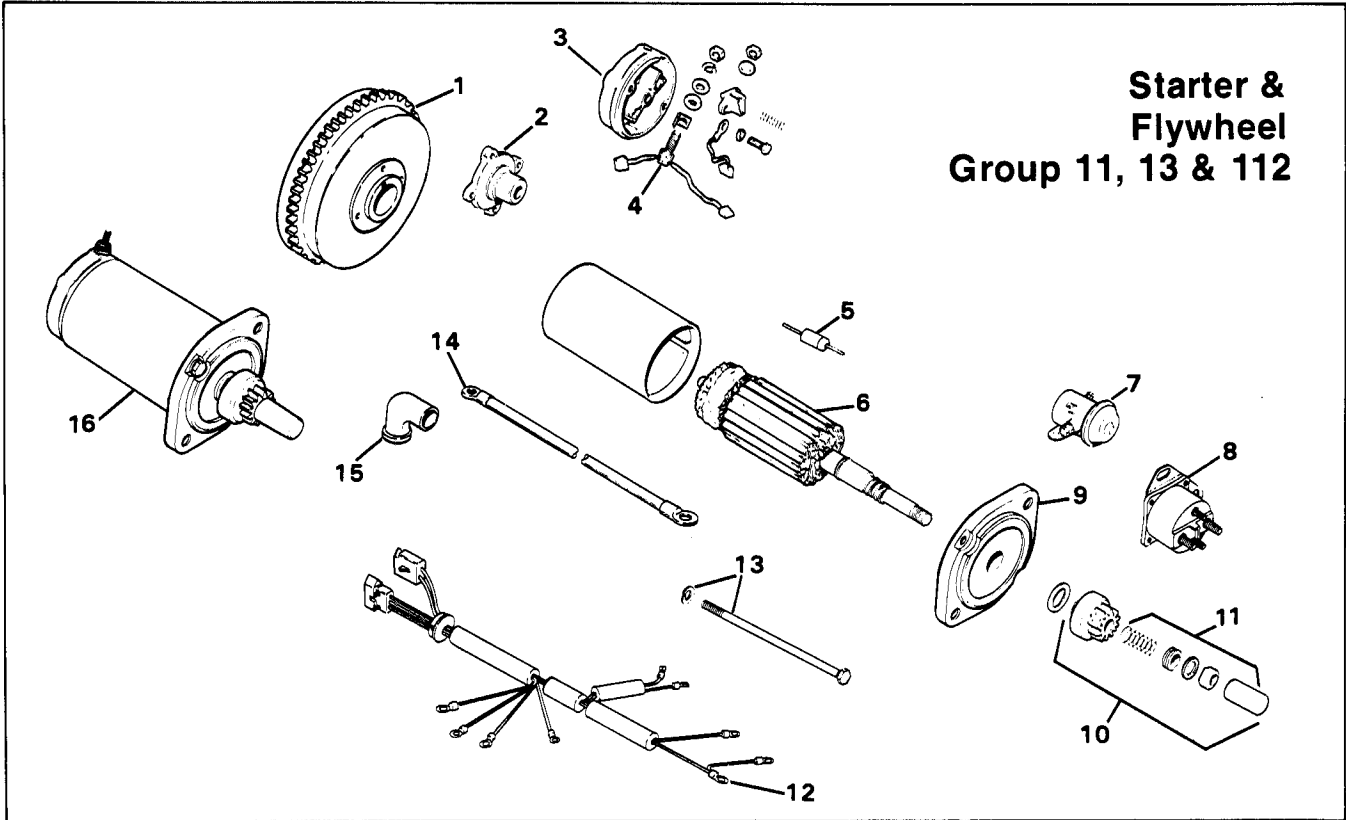
Oil Pump, Oil Filter Low Oil Pressure Cutout Group 25, 29 & 32



Item	Description Group	Part No. Variation No.	Item	Description Group	Part No. Variation No.
1	Bracket, oil filter 29	241452 3	12	Line, oil 29	270727 3
2	Oil Filter 29	277233 3	13	Gauge, oil pressure 25	240981 4
3	Nipple 29	277234 3	14	Screw, relief valve 25	277694 4
4	Adapter, oil filter 29	277345 3	15	Spring, relief valve 25	48 089 03 4
5	Switch, low oil pressure 32	240978 1	16	Ball, steel 25	X-212-3 4
6	Elbow, street 32	X-555-2 1	17	Shaft, drive 25	50 144 04 4
7	Connector (2) 29	X-296-1 3	18	Gear, drive 25	240108 4
8	Bushing, reducing (2) 29	A-106 3	19	Pump, oil assembly 25	50 393 15 4
9	Elbow, street 29	48 283 03 3	20	Gear, pump (2) 25	240111 4
10	Adapter, pipe 29	52 029 16 3	21	Ring, snap 25	240114 4
11	Line, oil 29	280905 3	22	Float, pump 25	240118 4

SERIES 106

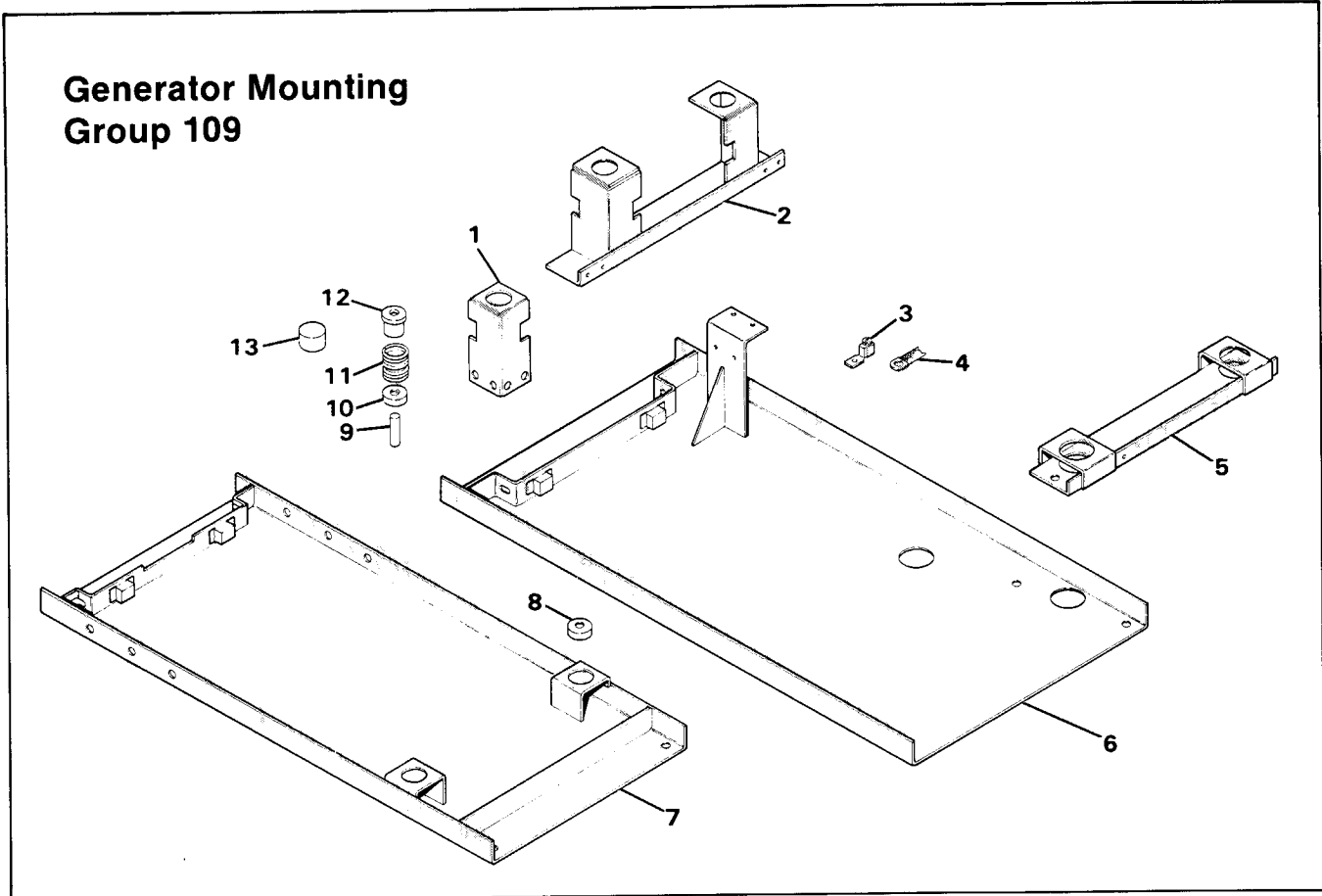
Starter & Flywheel Group 11, 13 & 112



Item	Description Group	Part No. Variation No.	Item	Description Group	Part No. Variation No.
1	Flywheel	50 025 02		Wiring Harness	24176
	13	1		112	4
2	Shaft, stub	50 144 02		Wiring Harness	241615
	13	1		112	5
3	Commutator End Cap	48 227 04		Wiring Harness	A-241835
	11	2		112	6
4	Kit, brush	48 755 15		Wiring Harness	A-241860
	11	2		112	7
5	Diode	233712		Wiring Harness	241898
	112	1,5		112	8
6	Armature	50 170 01		Wiring Harness	A-241907
	11	2		112	9
7	Solenoid	233442		Wiring Harness	241888
	112	1,3,4,5,8,9		112	10
8	Solenoid	248846		Wiring Harness	A-241942
	112	2,6,7,10,11		112	11
9	Plate, drive end	50 146 02		Wiring Harness	241976
	11	2		112	12
10	Kit, drive (includes drive and parts)	50 755 14	13	Thru Bolt (with washer)	50 211 01
	11	2		11	2
11	Kit, drive parts (Drive parts only)	50 755 13	14	Battery cable, positive (40")	X-545-26
	11	2		112	2,6,10
				Battery cable, positive (9")	X-545-33
				112	7,11
12	Wiring Harness	241832 (Disct.)	15	Boot	238915
	112	1		112	1,5,8
	Wiring Harness	A-241690	16	Starter assembly	50 098 01
	112	2		11	1,2,9
	Wiring Harness	A-241814 (Disct.)	17	Relay (not shown)	233442
	112	3		112	12

SERIES 106

Generator Mounting Group 109

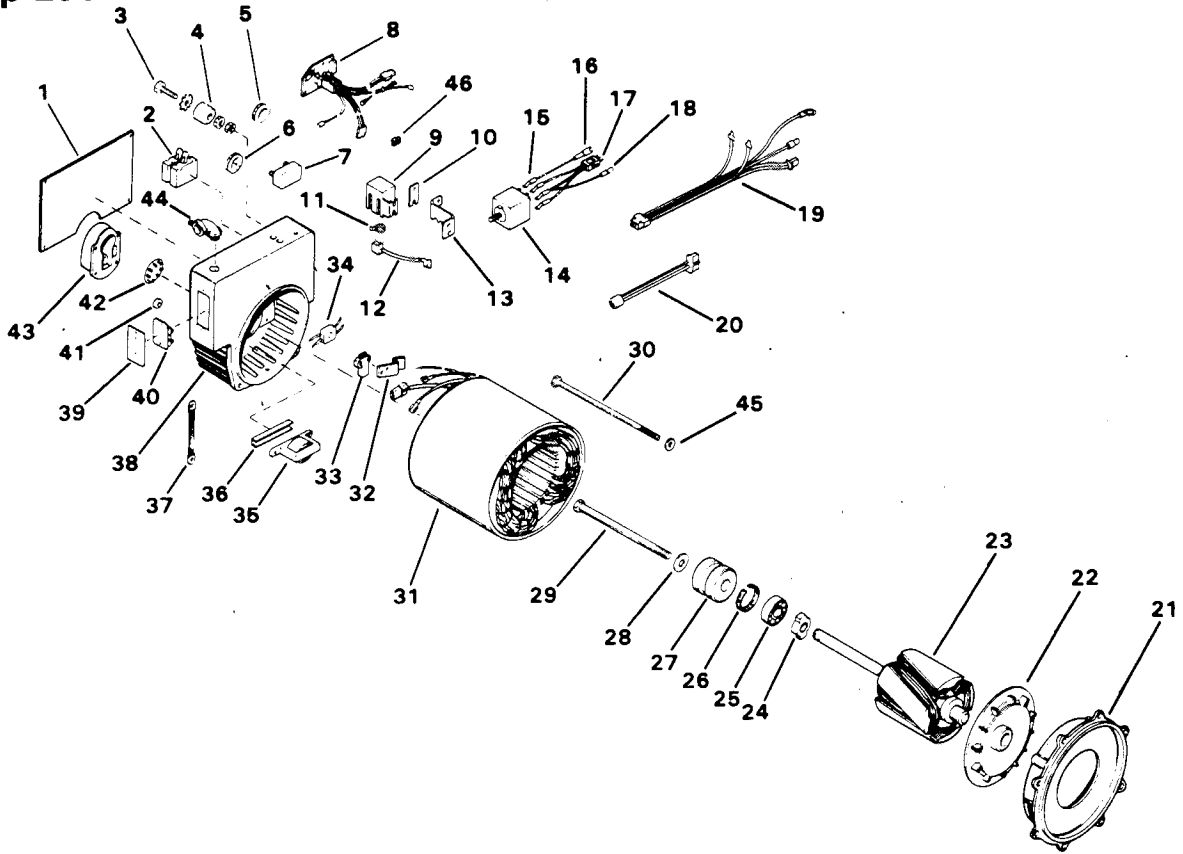


Item	Description Group	Part No. Variation No.	Item	Description Group	Part No. Variation No.
1	Mounting, foot (2) 109	241638 10,17	7	Skid 109	241591 10,17
	Mounting, foot 109	241689 11,15,16	8	Vibro mounts (2) 109	258021 10,17
2	Generator Support 109	241700 12,13,14	9	Spacer (2) 109	X-400-82 10,17
3	Terminal, grounding 109	X-377-11 11,12,15,16		Spacer (4) 109	X-400-82 11-16
4	Ground strap 109	245297 11,16	10	Tee mount 109	237451 All
5	Engine support 109	241461 11,12,13 15,16	11	Spring (2, generator end) 109	238034 All
	Engine support 109	241786 14		Spring (2, engine end) 109	277617 11,12,13-16
6	Tray 109	241683 11	12	Cup, mount 109	237452 All
	Tray 109	241836 (Disct.) 15	13	Cup 109	241794 12
	Tray 109	241873 16			

THIS PAGE INTENTIONALLY LEFT BLANK.

SERIES 106

Generator & Mounting Group 201



Item	Description Group	Part No. Variation No.	Item	Description Group	Part No. Variation No.
1	Panel, access 201	238461 151,154,155, 156,157,158, 159,160,161, 162,163,164, 165,167,169, 170,173	6	Bushing 201	241702 153,166,168
	Panel, controller 201	278035 171,172		Bushing 201	X-634-15 171,172
2	Circuit Breakers (2) 201	233835 154,155,157, 159,160,161, 165,169,170, 171,172	7	Circuit Breaker 201	291265 154,155
	Circuit Breaker (1) 201	233835 162		Circuit Breaker 201	259459 159,160,161, 162,165,170, 172
3	Stud, brass 201	237612 153,166,168	8	Circuit Board* 201	C-269150 151,158,163
4	Insulator (2) 201	233269 153,166,168	—	Brush Holder Assembly (Includes 9,10,11,12,13) 201	A-241666 151,158,163, 164
5	Grommet 201	243319 151,158,163, 164,173	9	Brush holder 201	239247 All
	Grommet 171-173	239429	10	Shim (.040" thick) 201	238248 All
				Shim (.024" thick) 201	238847 151,158,163, 164

*Must replace entire controller. use kit 241905.

SERIES 106

Item	Description Group	Part No. Variation No.	Item	Description Group	Part No. Variation No.
11	Spring (2) 201	238150 All	22	Fan 201	238204 All
12	Brush (2) 201	241837 154,157,159, 160,161,162, 165,169,170		Guard, fan 201	238214 All
	Brush (2) 201	241624 153,155,156, 163,167,168	23	Rotor 201	C-238236 153,154,155, 156,157,159, 160,161,162, 165,166,167, 168,169
	Brush (2) 201	238151 151,158,163, 164		Rotor 201	A-277983 171,172,173
	Brush (2) 201	239282 171-173		Rotor 201	B-241672 151,158,163
13	Bracket 201	241818 151,158,163, 164		Rotor 201	B-241903 164
—	Relay Assembly (Includes 14,15,16) 201	A-241951 154,157,159, 160,161,162, 165,169,170	24	Actuator 201	241805 151,158,163
—	Relay Assembly 14	241737	25	Bearing, ball 201	X-758-1 All
—	Relay Assembly (Includes 15,16,17) 201	A-241760 155	26	Ring, tolerance 201	238211 All
14	Relay, 4CR 201	A-241950 154,157,159, 160,161,162, 165,169,170	27	Ring, collector 201	238134 153,154,155, 156,157,159, 160,161,162, 165,166,167, 168,170,171, 172,173
15	Terminal (2) 201	236830 154,155,157, 159,160,161, 162,165,169, 170		Ring, collector 201	241671 151,158,163, 164
16	Connector 201	236979 154,155,157, 159,160,161, 162,165,169, 170,172	28	Washer 201	238245 153,154,155, 156,157,159, 160,161,162, 165,166,167, 168,169,170, 173
17	Receptacle 201	287570 155	29	Bolt, thru 201	242996 153,154,155, 156,157,159, 160,161,162, 165,166,167, 168,169,170, 171,172,173
18	Terminal 201	269166 154,157,159, 160,161,162, 165,169,170		Bolt, thru 201	252182 151,158,163, 164
19	Harness, wiring 201	241695 155	30	Bolt, over (4) 201	238246 All
20	Harness, wiring 201	241654 158,163	31	Stator 201	238242 151,154,155, 157,158,159, 160,161,164, 165,169
	Harness, wiring 201	241833 151		Stator 201	238333 162,163,170
	Harness, wiring 201	241968 171		Stator 201	241714 153,156
	Harness, wiring 201	241969 172		Stator 201	
21	Adapter 201	241590 All		Stator 201	

SERIES 106

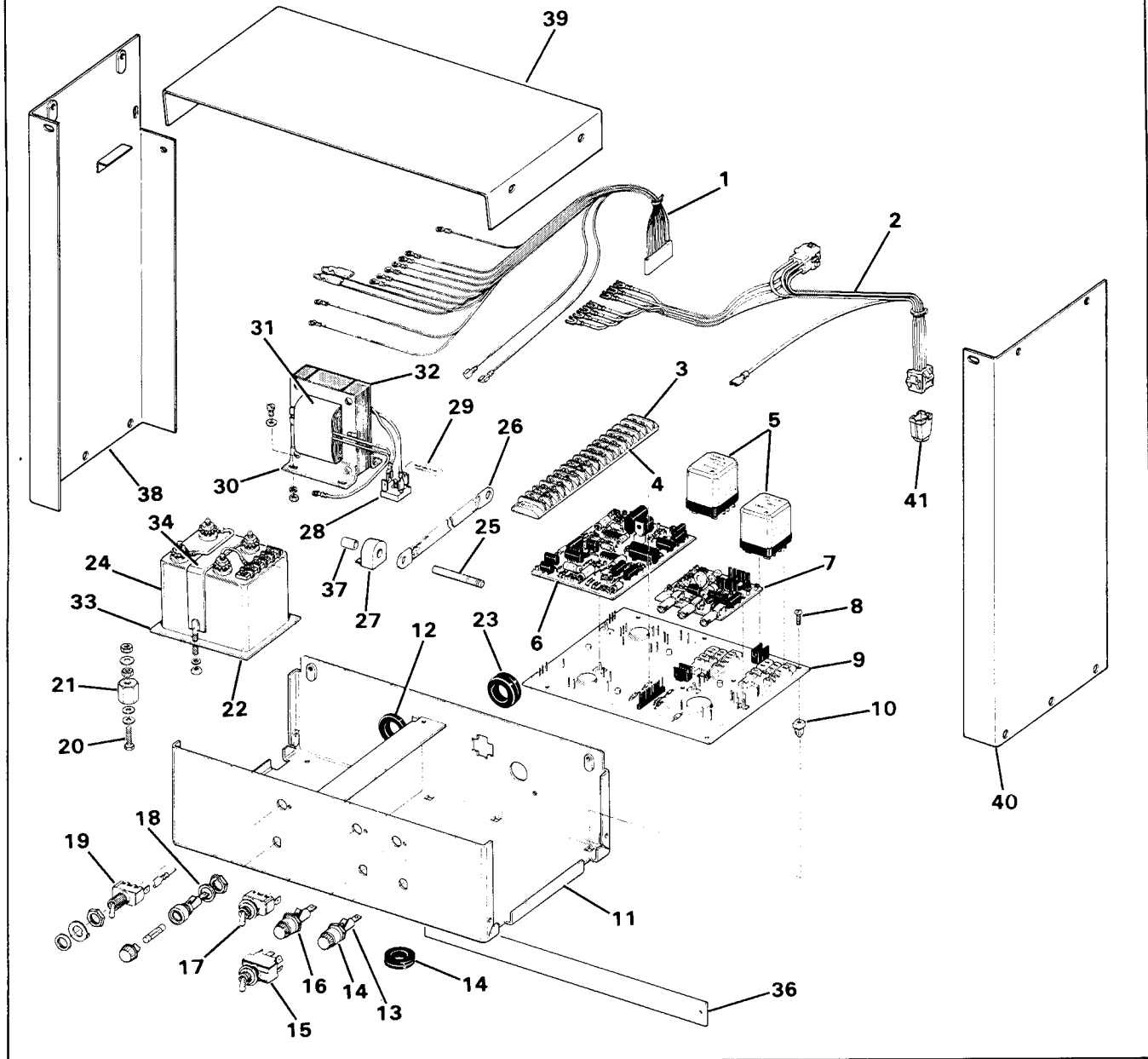
Item	Description Group	Part No. Variation No.	Item	Description Group	Part No. Variation No.
	Stator 201	241917 166,167		Voltage Regulator 201	C-233911 168
	Stator 201	241932 168		Voltage Regulator 201	E-239311 171-173
	Stator 201	278079 171,172		Bracket, regulator (left)	277985 171,172
	Stator 201	278211 173		Bracket, regulator (left)	278398 173
32	Bracket, speed sensor 201	241664 151,158,163		Bracket, regulator (right)	277986 171,172
33	Speed, sensor 201	241623 151,158,163		Bracket, regulator (right)	278399 173
34	Rectifier, bridge 201	241610 153,154,155, 156,159,160, 161,162,165, 166,167,168, 170,172	41	Spacer 201	243826 153,156,166, 167,168
35	Transformer 201	277776 154,155,159, 160,161,162, 165,170	42	Button, plug 201	X-301-14 153,154,155, 156,157,159, 160,161,162, 166,167,168, 169,170,172, 173
	Transformer 201	241626 153,156,166, 167,168	43	Cover, brush holder 201	241674 151,158,163, 164
36	Bracket, transformer 201	277820 154,155,159, 160,161,162, 165,170	44	Elbow 201	X-252-13 153,154,155, 157,159,160, 162,165,166, 168,170,171, 172
	Bracket, transformer (2) 201	241703 153,156,166, 167,168	45	Washer, hardened 201	X-801-2 All
37	Ground, strap 201	277839 157,171,172	46	Connector 201	269165 154,157,159, 160,161,162, 164,165,169, 170
38	End, bracket 201	277801 154,155,157, 159,160,161, 162,165,169, 170	—	End Bracket Assembly	A-241834 151
	End, bracket 201	241701 153,156,166, 167,168		End Bracket Assembly	B-241708 153,166
	End, bracket 201	241819 151,158,163, 164		End Bracket Assembly	A-241792 154
	End, bracket 201	278070 171,172		End Bracket Assembly	B-241732 155
	End, bracket 201	241980 173		End Bracket Assembly	A-241747 156,167
39	Plate 201	277803 154,157,159, 160,161,162, 165,169,170		End Bracket Assembly	B-241791 157
40	Voltage Regulator 201	287978 151,153,154, 155,156,157, 158,159,160, 161,162,163, 164,165,166, 167,169,170		End Bracket Assembly	A-241663 158,163
				End Bracket Assembly	B-241793 159,165
				End Bracket Assembly	B-241792 160
				End Bracket Assembly	B-241861 161
				End Bracket Assembly	B-241874 162

SERIES 106

Item	Description Group	Part No. Variation No.	Item	Description Group	Part No. Variation No.
	End Bracket Assembly	A-241904 164	47	Harness, engine wiring (not shown)	277996 171
	End Bracket Assembly	B-241933 168		Harness, engine wiring (not shown)	277994 172
	End Bracket Assembly	A-241940 169	48	Fuse holder assembly (not shown)	A-278160 171,172,173
	End Bracket Assembly	A-241957 170		(Includes the following)	
	End Bracket Assembly	A-278066 171		Insulink	X-367-3
	End Bracket Assembly	A-278065 172		Terminal	X-431-34
	End Bracket Assembly	A-241981 173		Fuse, 5 Amp.	239298
				Fuse Holder (2)	269216

SERIES 106

Marine Controller - Automatic & Remote Group 301

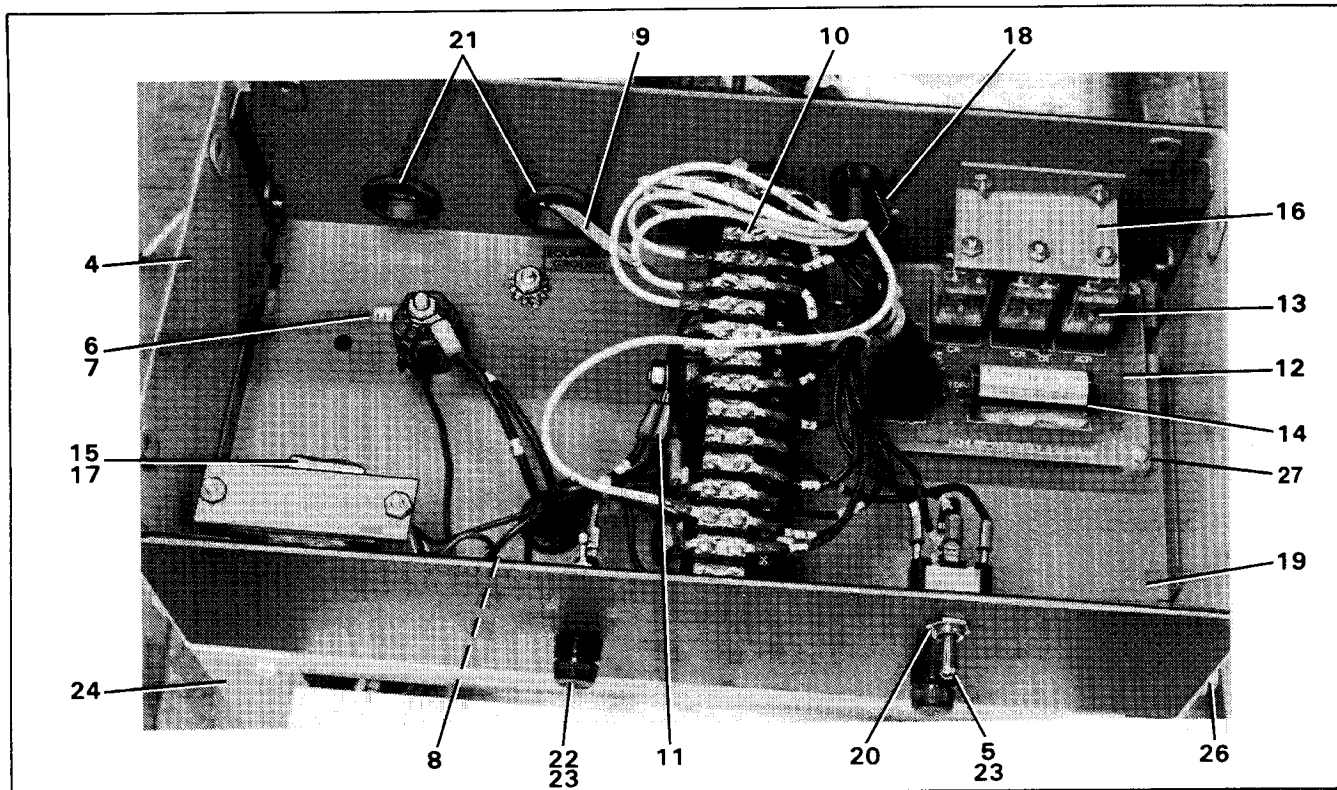


Item	Description Group	Part No. Variation No.	Item	Description Group	Part No. Variation No.
1	Wiring Harness 301	241612 200-202	3	Terminal Strip 301	241621 200-202 210-212
	Wiring Harness 301	241825 (Disct.) 210-212	4	Strip, marker 301	241823 210-212
2	Wiring Harness 301	241613 (Disct.) 200-202 210-212	5	Relay (2) 301	241600 200-202 210-212

SERIES 106

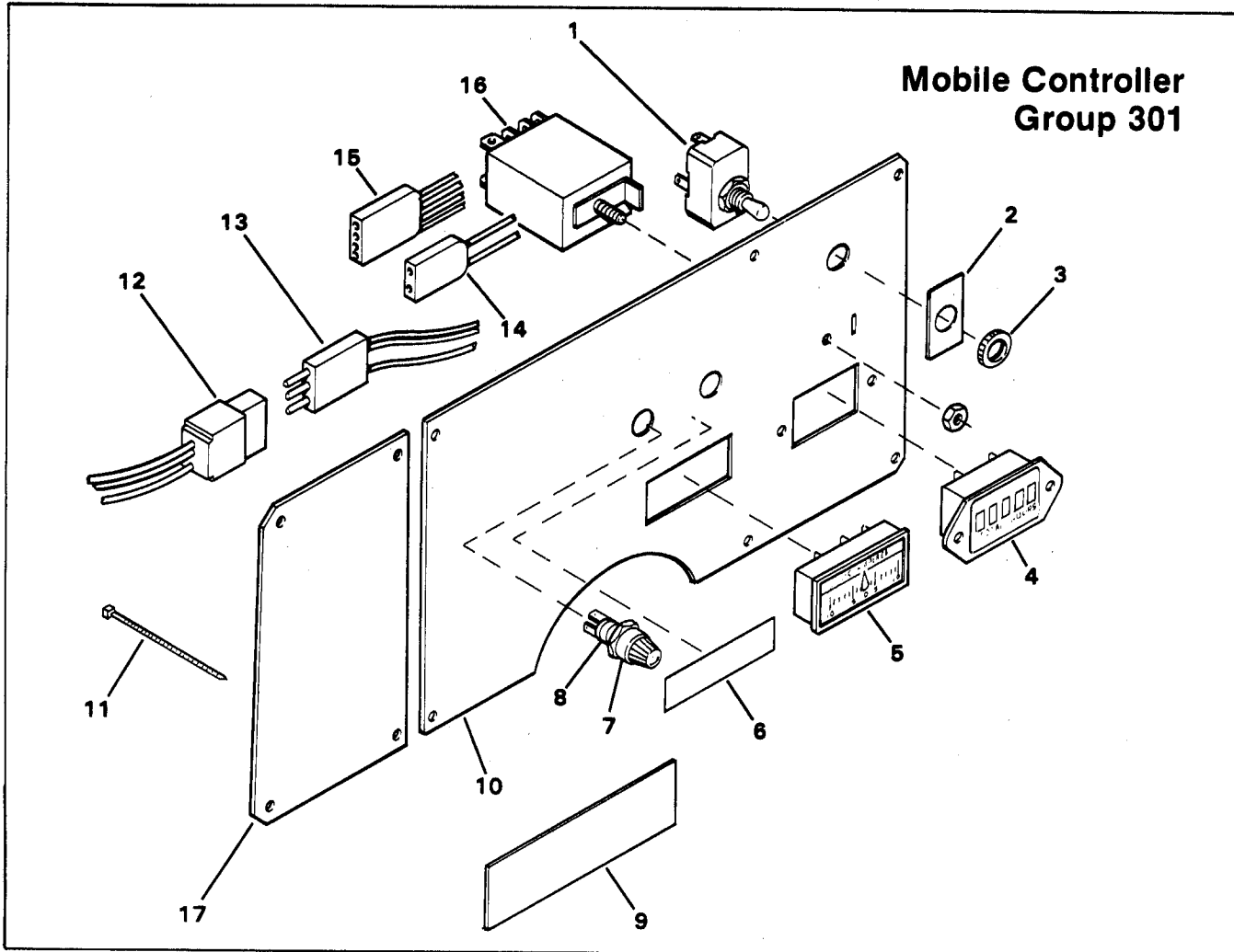
Item	Description Group	Part No. Variation No.	Item	Description Group	Part No. Variation No.
6	Board, main control circuit 301	B-284931 200-202 210-212	24	Box, assembly (relay 241820) 301	A-241822 210
7	Board, voltage regulator 301	C-284934 200-202 210-212		Box, assembly (relay 241627) 301	A-241657 200
8	Screw (7) 301	X-51-9 200-202 210-212	25	Stud 301	X-352-36 201,210
9	Board, mother (Automatic) 301	C-241604 200-202 210-212	26	Ground, strap 301	241611 200-202 210-212
	Board, mother (Remote) 301	C-241628 200-202 210-212	27	Transformer, automatic 301	269197 200,201,210
10	Grommet, plastic (7) 301	X-593-3 200-202 210-212	28	Bridge rectifier 301	241610 200-202 210-212
11	Box, controller 301	241620 200-202 210-212	29	Nameplate (Equipment Ground) 301	238575 200-202 210-212
12	Grommet (2) 301	X-284-7 200-202 210-212	30	Bracket, transformer (2) 301	241798 200-202 210-212
13	Fuse (5 Amp) 301	243273 200-202 210-212	31	Transformer, remote 301	241626 200-202 210-212
14	Fuse, holder (3) 301	238426 200-202 210-212	32	Guard, transformer 301	241817 210,211,212
15	Switch, toggle 301	241810 210-212	33	Plate 301	241831 200,210
	Switch, toggle 301	268028 200-202	34	Strap, hold-down 301	241676 200,210
16	Fuse (2) 301	223316 200-202 210-212	35	Channel, neoprene (not shown) 301	241636 200-202 210-212
17	Switch, toggle 301	241821 210-212	36	Strip, trim 301	241637 200-202 210-212
	Switch, toggle 301	283375 200-202	37	Tube, insulating 301	241656 200,210
18	Ring, lock 301	151511 200-202 210-212	38	Bracket, controller (LH) 301	252312 200-202 210-212
19	Switch, toggle 301	241811 210-212	39	Cover, controller 301	252313 200-202 210-212
	Switch, toggle 301	268015 200-202	40	Bracket, controller (RH) 301	252317 200-202 210-212
20	Stud, brass 301	237612 201,202, 211,212	41	Connector 301	241779 200-202 210-212
21	Insulator 301	233269 201,202, 211,212	—	Controllers	(Remote) B-252318 (Automatic) B-252319
22	Plate 301	241675 200,210			
23	Grommet 301	243488 200-202 210-212			

SERIES 106



Item	Description Group	Part No. Variation No.	Item	Description Group	Part No. Variation No.
1	Channel, neoprene (not shown) 301	241636 214,215	14	Relay (TD) 301	241887 214,215
2	Strip, trim (not shown) 301	241637 214,215	15	Bracket, transformer 301	241884 214,215
3	Connector, harness (not shown) 301	241779 214,215	16	Bracket, relay hold-down 301	241885 214,215
4	Controller assembly 301	241905 214,215	17	Transformer 301	241893 214,215
5	Fuse 301	223316 214,215	18	Wiring Harness 301	241897 214,215
6	Insulator 301	233269 214	19	Box, controller 301	241899 214,215
	Insulator (2) 301	233269 215	20	Switch, toggle 301	241911 214,215
7	Stud, brass 301	237612 214	21	Grommet (2) 301	243488 214,215
	Stud, brass (2) 301	237612 215	22	Fuse 301	241944 214,215
8	Bridge, rectifier 301	241610 214,215	23	Holder, fuse (2) 301	238426 214,215
9	Strap, ground 301	241611 214,215	24	Bracket, controller (LH) 301	252312 214,215
10	Strip, terminal 301	241621 214,215	25	Cover, controller (not shown) 301	252313 214,215
11	Diode 301	241739 214,215	26	Bracket, controller (RH) 301	252317 214,215
12	Board, circuit 301	A-241883 214,215	27	Spacer (4) (Under circuit board) 301	270833 214,215
13	Relay (3) 301	241736 214,215			

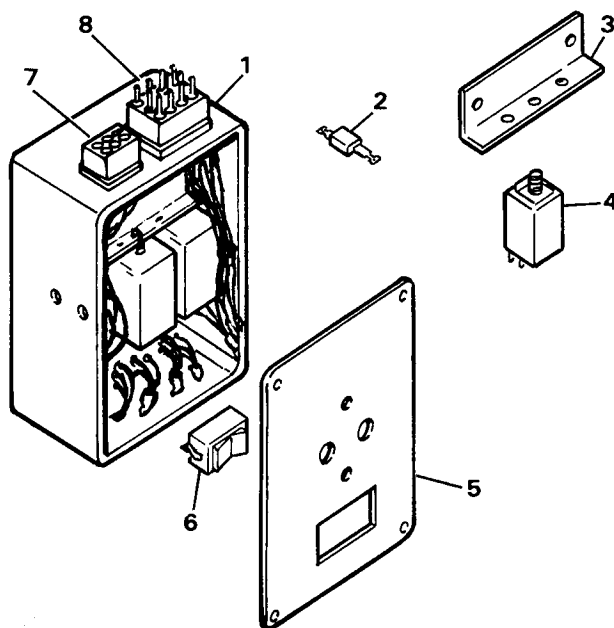
SERIES 106



Item	Description Group	Part No. Variation No.	Item	Description Group	Part No. Variation No.
1	Switch, toggle 301	249690 204,216		Panel, controller 301	241906 216
2	Plate, instruction 301	243548 204,216	11	Strap, wire 301	X-526-2 204,216
3	Ring, lock 301	151511 204,216	12	Harness, wiring (female) 301	241721 204,216
4	Meter, hour 301	238736 204,216	13	Harness, wiring (male) 301	241722 204,216
5	Ammeter, D.C. 301	245377 204,216	14	Plug, connector 301	269166 204,216
6	Decal 301	241806 204,216	15	Connector, receptacle 301	237659 204,216
7	Fuse (2) 301	223316 204,216	16	Relay 301	241950 204,216
8	Holder, fuse (2) 301	238426 204,216	17	Panel, junction box 301	238209 204,216
9	Nameplate 301	241559 204,216	—	Controller Assembly 301	A-241813 204
10	Panel, controller 301	241815 204	—	Controller Assembly 301	C-241909 216,218

SERIES 106

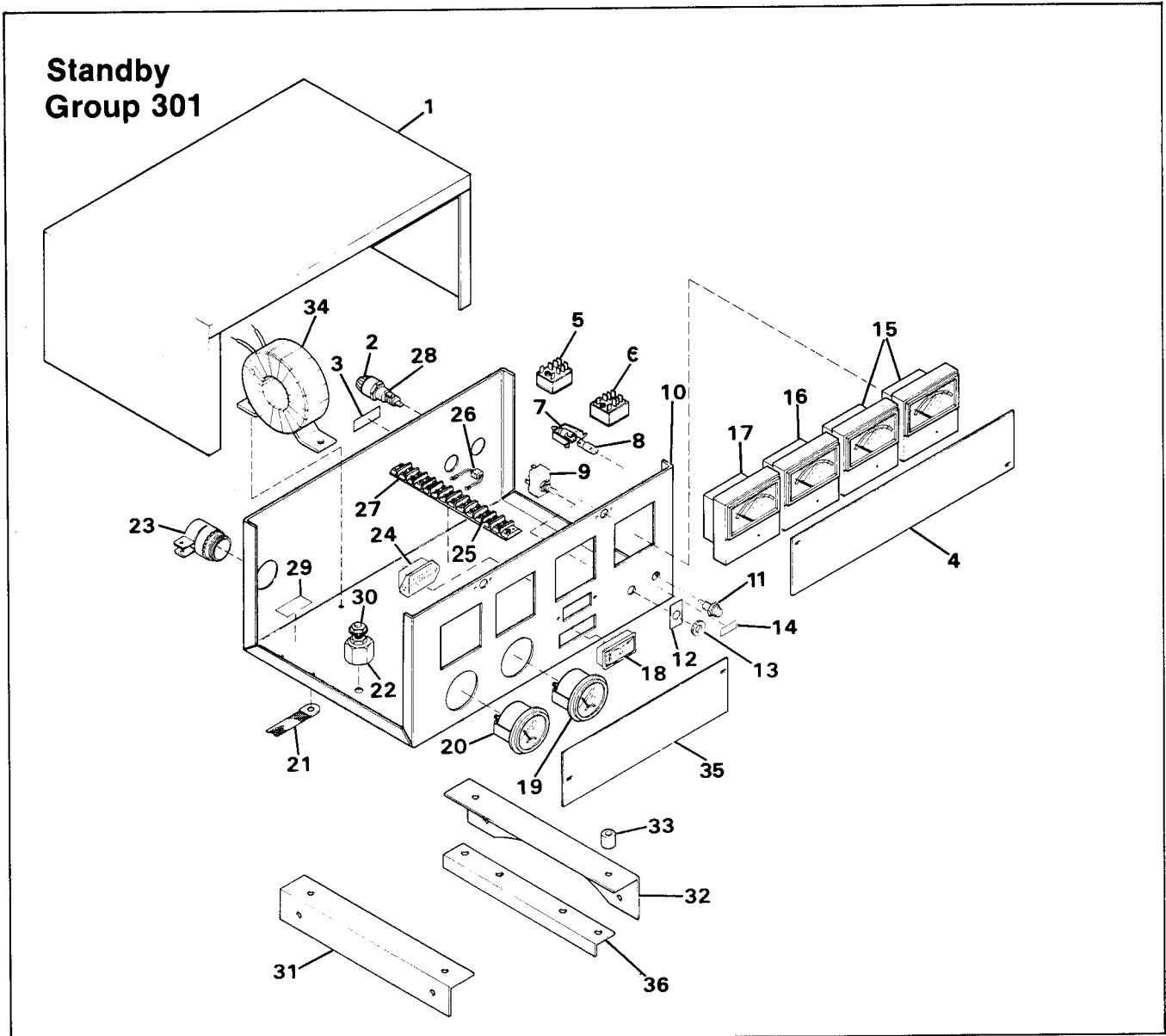
RV Controller Group 301



Item	Description Group	Part No. Variation No.	Item	Description Group	Part No. Variation No.
1	Box, controller 301	C-269156 (Disct.) 205,213	8	Connector, female (Pin number - 241758) 301	287536 205,213
2	Diode 301	241739 205,213	—	Controller Assembly (Includes 1-8) 301	B-241752 205,213
3	Bracket, relay mounting 301	241759 205,213	—	Controller Assembly 201 (Includes the following) Circuit Board Assembly	A-239409 171,172 E-239396 171,172
4	Relay (1CR, 2CR, 3CR) 301	241736 205,213		Spacer (4)	239405 171,172
5	Cover, controller 301	241756 205,213		Harness, wiring	239410 171,172
	Panel, silk screen 201	239407 171,172			
6	Switch, rocker 301 201	269176 171,172,205, 213			
7	Receptacle, male (Pin number - 241757) 301	287570 205,213			

THIS PAGE INTENTIONALLY LEFT BLANK.

SERIES 106



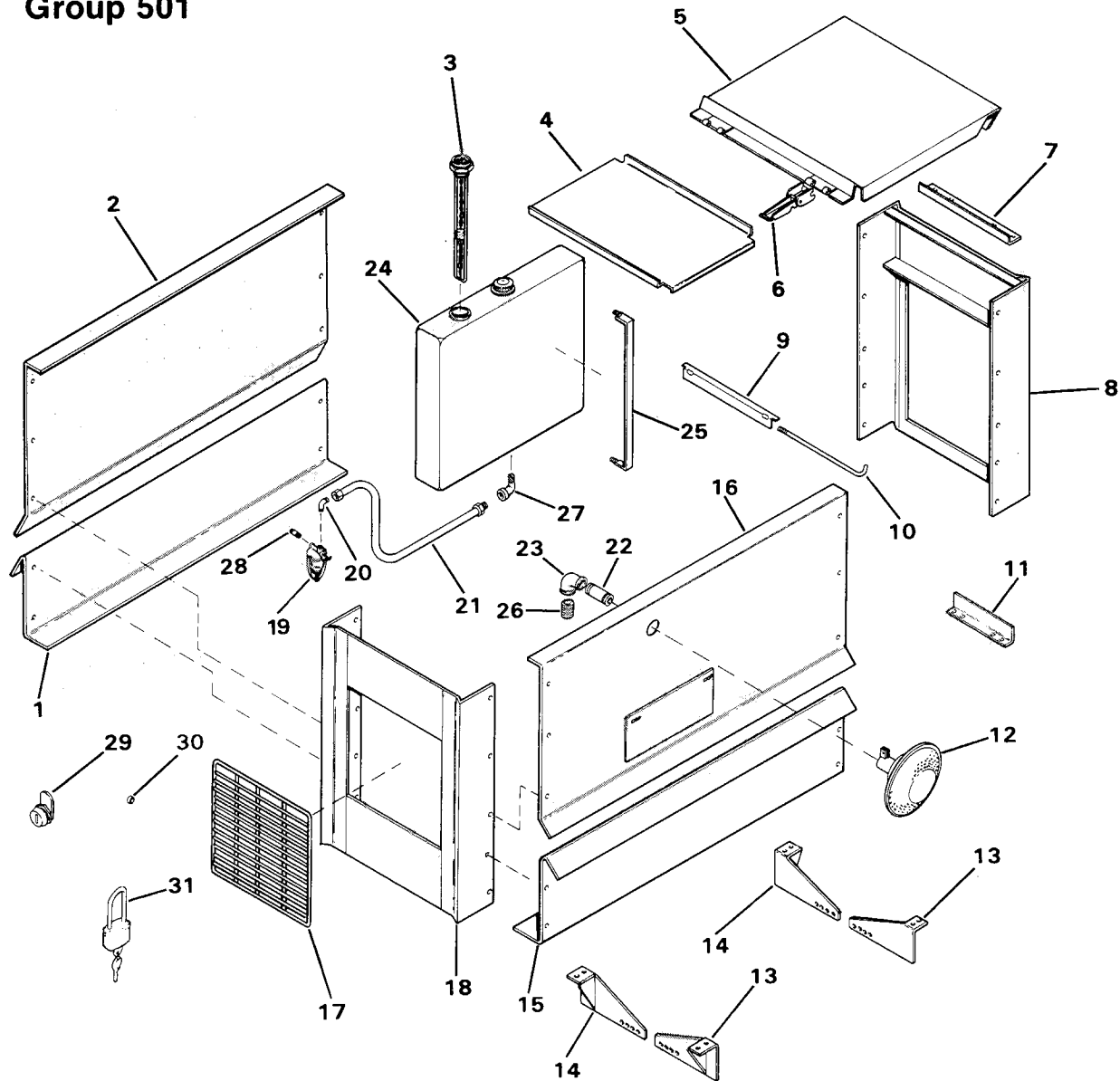
Item	Description Group	Part No. Variation No.	Item	Description Group	Part No. Variation No.
1	Cover, controller 301	241765 206-208,217	6	Relay, 1CR (120V, AC) 301	241950 206-208,217
	Cover controller 301	250501 - KLB 219,220		Circuit board, relay (not shown) 301	B-241883 219,220
2	Fuse (2) 301	223316 206-208,217, 219,220	7	Socket, lamp (2) 301	284990 206-208,217, 219,220
3	Decal 301	241771 206-208,217	8	Bulb, light (2) 301	268310 206-208,217 219,220
	Decal 301	X-6230-2 219,220	9	Switch, toggle 301	268015 206-208,217
4	Plate, cover 301	241741 (Disct.) 206-208,217		Switch, toggle 301	241911 219,220
5	Relay, CR (12V,DC) 301	241736 206-208,217			

SERIES 106

Item	Description Group	Part No. Variation No.	Item	Description Group	Part No. Variation No.
10	Box, controller 301	241642 206-208,217	26	Diode 301	241739 206-208,217
	Box, controller 301	250500 - KLB 219,220	27	Marker, strip 301	241738 206-208,217
11	Switch, thermal 301	245803 206-208,217		Marker, strip 301	250572 219,220
	Lamp 301	269373 219,220	28	Holder, fuse (2) 301	238426 206-208,217 219,220
12	Decal 301	250585 219,220	29	Decal 301	238575 206-208,217
	Nameplate 301	243548	30	Stud, brass 301	237612 206-208,217, 219,220
13	Ring, lock 301	151511 206-208,217	31	Bracket, controller mtg. (Left) 301	241725 206-208,217
14	Decal (Reset) 301	241771 206-208,217		Bracket, controller mtg. (Left) 301	241978 219,220
15	Ammeter, AC (2) 301	241733 206-208,217	32	Bracket, controller mtg. (Right) 301	241729 206-208,217
16	Voltmeter, AC 301	241734 206-208,217		Bracket, controller mtg. (Right) 301	241979 219,220
17	Meter, frequency 301	241735 206-208,217	33	Mount, controller (4) 301	241769 206-208,217
18	Ammeter, DC 301	245377 206-208,217		Mount, controller (4) 301	259919 219,220
19	Gauge, water temperature 301	264387 206-208,217	34	Transformer, current (2) 301	X-354-12 206-208,217
20	Gauge, oil pressure 301	264388 206-208,217		Transformer, current (2) 301	241620 219,220
21	Strap, ground 301	241611 206-208,217	35	Plate, cover 301	241740 206-208,217
	Strap, ground 301	230857 219,220		Plate, cover 301	250510 - KLB 219,220
22	Insulator, panel 301	233269 206-208,217, 219,220	36	Bracket, controller offset (2) 301	241785 208,217
23	Connector, conduit 301	X-252-8 206-208,217, 219,220		(Items not illustrated)	
24	Meter, hour 301	238736 206-208,217		Sender, oil pressure	268292
25	Strip, terminal 301	246114 206-208,217, 219,220		Sender, water temperature 301	268298
	Block, terminal (not shown) 301	X-405-2 219,220		Circuit board assembly (Field flushing) 301	A-256367 219,220
	Marker, strip (not shown) 301	250538 219,220		Harness, wiring 301	250597 219,220
				Plate, circuit breaker cover 301	245264 - KLB 219,220

SERIES 106

Housing & Mounting Group 501



Item	Description Group	Part No. Variation No.	Item	Description Group	Part No. Variation No.
1	Panel, lower (LH) 501	241787 21,22,23,24	6	Latch (4) 501	244267 21,22,23,24
2	Panel, upper (LH) 501	288920 21,22,23,24	7	Bracket, controller offset 501	241785 21,22,23,24
3	Gauge, fuel tank 501	234111 21,22,23	8	Panel, rear 501	288929 (Disct.) 21,22
4	Support, hood 501	288790 21,22,23,24		Panel, rear 501	241871 23,24
5	Hood assembly (2) 501	288922 21,22,23,24	9	Clamp, battery 501	288614 21,22

SERIES 106

Item	Description Group	Part No. Variation No.	Item	Description Group	Part No. Variation No.
10	Stud, battery hold down (2) 501	274200 21,22	21	Line, fuel 501	266103 21,23
11	Support, tank 501	288635 21,23	22	Nipple 501	X-224-9 21,22,23,24
12	Muffler 501	153730 21,22,23,24	23	Elbow 501	X-215-14 21,22,23,24
13	Bracket, housing support (2) (front) 501	241783 21,22,23,24	24	Tank, Fuel 501	288831 21,22,23
14	Bracket, housing support (2) (rear) 501	241784 21,22,23,24	25	Strap, tank (2) 501	288832 21,23
15	Panel, lower (RH) 501	241788 21,22,23,24	26	Nipple 501	X-210-3 23,24
16	Panel, upper (RH) 501	288921 21,22,23,24	27	Elbow, street 501	X-211-10 23
17	Grill, radiator 501	241357 21,22,23,24	28	Nipple 501	X-217-6 23
18	Panel, front 501	288930 21,22,23,24	29	Lock, cam (2) 501	288969 23,24
19	Strainer 501	A-210101 21,23	30	Spacer 501	288970 23,24
20	Elbow 501	X-447-10 21,23	31	Padlock (2) 501	289873 23,24

SERIES 106

GASKET SET 244107

Description	Part No.	Description	Part No.
Gasket, flange	210223	Gasket, governor mtg.	240195
Gasket, front support	240127-1	Gasket, fuel pump	240260
Gasket, timing gear cover	240140	Gasket, automatic choke	240285
Seal, front oil	240143	Gasket, magneto	240295
Gasket, water pump	240146	Gasket, oil filter pad	240323
Gasket, water outlet flange	240160	Gasket, generator bracket	240396
Gasket, valve cover	240163	Seal, rear bearing (2)	240401
Gasket, manifold (2)	240165	Gasket, oil pan	240403
Gasket, water inlet flange	240168	Gasket, head	241453
Seal, rear oil	240178		

NAMEPLATES & DECALS

Description	Part No.	Description	Part No.
Decal, air cleaner instructions	220811	Nameplate, Kohler (14" x 3-1/2")	241537
Decal, Warning – To Prevent Fire or Accident Hazard	237998	Nameplate, Kohler (10" x 2-1/2")	241541
Decal, Warning – Positive Terminal	238402	Decal, Oil Drain	280562
Decal, Equipment Ground	238575	Decal, Fresh Water	241082
Decal, Off-On Circuit Protector	238578	Decal, Kohler 6" (Marine)	241579
Nameplate, serial, model and spec	238639	Decal, Kohler 10" (Marine)	241583
Nameplate, service schedule	239437	Decal, On/Off, Reset, Remote-Off-Test	241711
Decal, Replace with Kohler Filter	241827	Decal, Drain	266450
Decal, Water Drain	280561	Decal, On/Off-Reset, Auto-Off-Test	241622
Decal, Negative Battery Connection	241655	Decal, Remote-Off/Reset-Test	241896
Nameplate, model, spec & serial	287439	Decal, UL	238092
Nameplate, Kohler (8" x 2")	241543	Logo, Kohler	X-6229-5
Nameplate, Kohler (6" x 1-1/2")	241545	Logo, Kohler	X-6229-6

SERIES 106
ACCESSORIES

Kit, Anti-Icing 241520

Description	Part No.	Description	Part No.
Bushing, reducer	X-202-29	Clamp, hose (4)	X-426-9
Coupling, pipe 1/8 x 1-3/16	X-216-24	Nut (expense) (2)	X-6210-2
Nipple, pipe 1/8 x 3/4	X-217-6	Screw (Sems)	X-776-1
Washer, shakeproof (2)	X-22-12	Heater	241521
Stud	X-352-9	O-ring	241523
Line, flex fuel 1/4 (2)	X-386-48	Valve, shut-off	241524
Connector, hose	X-391-1		

Kit, Engine Gauge E-10009

Description	Part No.	Description	Part No.
Screw (2)	X-49-11	Cover, controller	255735
Screw, R.H.M. 4-36 x 3/8	X-49-29	Sender, oil pressure gauge	264390
Nut, hex	X-74-5	Sender, water temperature	268298
Meter, hour	238736	Gauge, oil pressure	282897
Ammeter	245377	Gauge, water temperature	282898
Plate, cover	250510		

Kit, Flexible Fuel Line 241826

Description	Part No.	Description	Part No.
Bushing, reducer	X-202-27	Coupling, female	X-514-2
Nipple, pipe 1/8 x 3/4	X-217-11	Line, fuel	259624

Kit, Fuel Shutoff PA-241991

Description	Part No.	Description	Part No.
Valve, solenoid	241990	Nipple, pipe 1/8 x 1	289055

Kit, Impeller 241641

Description	Part No.	Description	Part No.
Impeller	241643	O-ring	241724
Gasket	241719	Seal	241743
O-ring	241720		

Kit, Impeller 241808

Description	Part No.	Description	Part No.
Gasket	241719	Seal	241743
O-ring	241720	Impeller	241809
O-ring	241724		

SERIES 106
ACCESSORIES

Kit, Meter A-10434

Description	Part No.	Description	Part No.
Washer, lock #6 (2)	X-18-1	Nut, hex 1/4-20 (6)	X-81-1
Washer, lock #4	X-18-4	Ring, lock	151511
Washer, lock 1/4 (6)	X-20-1	Marker, wire	201621-126
Washer, plain 17/64 x 5/8 x 1 (2)	X-25-53	Marker, wire	201621-127
Plug, button	X-301-26	Switch, toggle	238357
Screw, R.H.M. 4-36 x 3/8	X-49-29	Plate, cover	250510
Screw, R.H.M. 6-32 x 3/4 (2)	X-49-6	Decal	250583
Screw, H.C. 1/4-20 x 1/2 (6)	X-5-13	Decal	250610
Nut, Hex 6-32 (2)	X-71-2	Transformer, current	259792
Nut, Hex 4-36	X-74-5	Voltmeter, AC	295011
Meter, frequency	295069	Ammeter	295337

Kit, Remote Panel PA-241989

Description	Part No.	Description	Part No.
Panel Assembly	A-241987	Screw, sheet metal (2)	X-798-1
Meter, hour	238736	Decal, warning	249494
Switch, rocker	241986		
Harness wiring	241988		
Panel, remote	269298		

Kit, Siphomatic 241430

Description	Part No.	Description	Part No.
Valve assembly	A-241429	Connector, 90° (2)	X-391-22
Tee, pipe 3/4 x 3/4 x 1	X-203-6		

Muffler PA-241862

Description	Part No.	Description	Part No.
Logo, Kohler	X-6267-1	Muffler	241862

Sea Water Strainers

Description	Part No.	Description	Part No.
Sea water strainer	X-661-1		

Ship-to-Shore Switches

Description	Part No.	Description	Part No.
Ship-to-Shore switch (7.5R23)	PAA-246614	Ship-to-Shore switch (7.5R63)	PAA-246617

SERIES 106

ACCESSORIES

Silencers

Description	Part No.	Description	Part No.
Super Silencer III (canister type)	PA-241862	Super Silencer II (tube type)	241294-46

Switch, Transfer PAA-246614

Description	Part No.	Description	Part No.
Switch, transfer	A-246614		

Switch, Transfer PAA-246617

Description	Part No.	Description	Part No.
Switch, transfer	A-246617		

Generator Paint

Description	Part No.	Description	Part No.
Kohler Cream Beige (spray)	221323	Gold Metallic (spray)	221297
Kohler Cream Beige (gallon)	221322	Gold Metallic (gallon)	221284
Chris Craft White (spray)	221318		

TP-5045 8/98

© Kohler Co., 1993, 1998. All rights reserved.

KOHLER. POWER SYSTEMS

KOHLER CO. Kohler, Wisconsin 53044
Phone 920-565-3381, Web site www.kohlergenerators.com
Fax 920-459-1646 (U.S.A. Sales), Fax 920-459-1614 (International)
For the nearest sales and service outlet in U.S.A. and Canada
Phone 1-800-544-2444