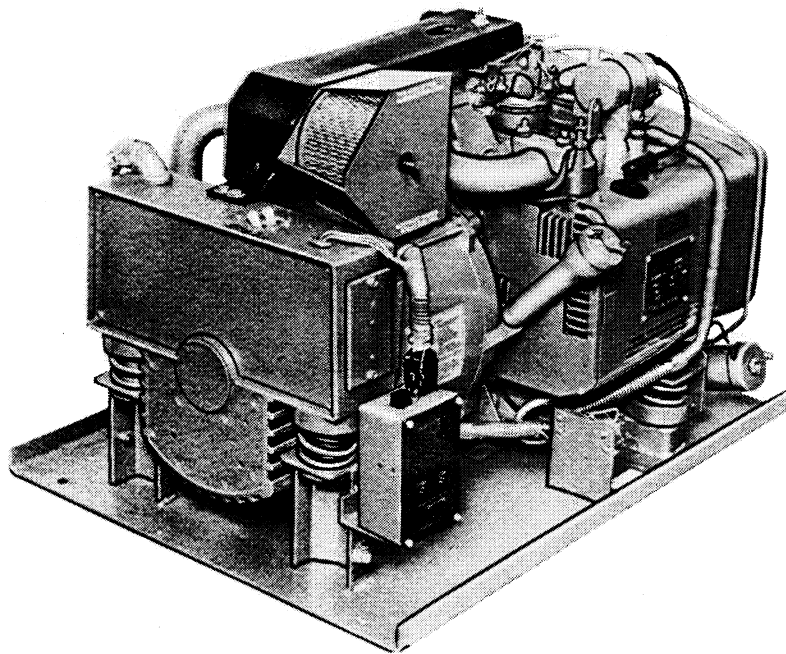


KOHLER GENERATORS

parts listing for model 4.5CKM21-RV (KT-17 powered)



specification number series 101

parts section 36

INTRODUCTION

This manual contains a complete listing of service replacement parts for Kohler 4.5CKM RV Generator Sets identified by specification code series 101. These use the Kohler Model KT17 Engine. The manual includes the following main sections in the sequence listed.

1. *Specification Number Index*: Listing of generator set spec numbers in numerical sequence on each page.

Group variation numbers are listed in the horizontal line to the right of each spec number.

2. *Group Parts Lists*: Indicates specific parts for each specification. Illustrations of parts are shown for some of the various parts. Illustrations are keyed to the parts numbers found in the parts group listings.

NUMBER SIGNIFICANCE

There are various numbers which must be used in determining how to identify a part number. The significance of each of these numbers is explained as follows:

Specification Number: The generator set specification number, which is found on the nameplate attached to the frame of the generator, indicates model variation or the combination of groups used to build that particular generator set. The spec number is, in effect, a coded number. The first three digits, which are the code designation for generator size and engine model, remain constant in this series while the remaining digits in the spec number are issued in numerical sequence. When the sequential num-

ber reaches 99, the next number will be 100, for example: 10199 is followed by 101100 – note that the spec number goes from a 5 digit to a 6 digit number in this example.

Group Number: The group consists of related parts needed to provide one or more related functions.

Group Variation Number: A variation number is assigned to a parts group whenever that group, or a part or parts within that group, varies from the original design of the basic engine.

Part Number: The part number is the number by which an individual piece part of a generator set is identified and ordered.

HOW TO FIND PART NUMBERS

Following is a step-by-step procedure to be used in identifying and ordering a specific part.

Item to be ordered: *ROTOR ASSEMBLY*

STEP 1: Record the *Generator Set* specification number from the nameplate on the generator frame (Sample: 10111a).

STEP 2: In the Specification Number Index, find speci-

fication 10111a in the left-hand vertical column. Under Group 201 – Generator and Mounting column, locate the variation number assigned to specification 10111a. The variation number is 1.

STEP 3: Turn to Part Group 201 – Generator and Mounting. Note the Rotors are identified with Index Number 27 – under this number locate Variation 1. Rotor assembly B-277755 is assigned to this variation.

NOTE: Quantities greater than one are shown in brackets behind part description.

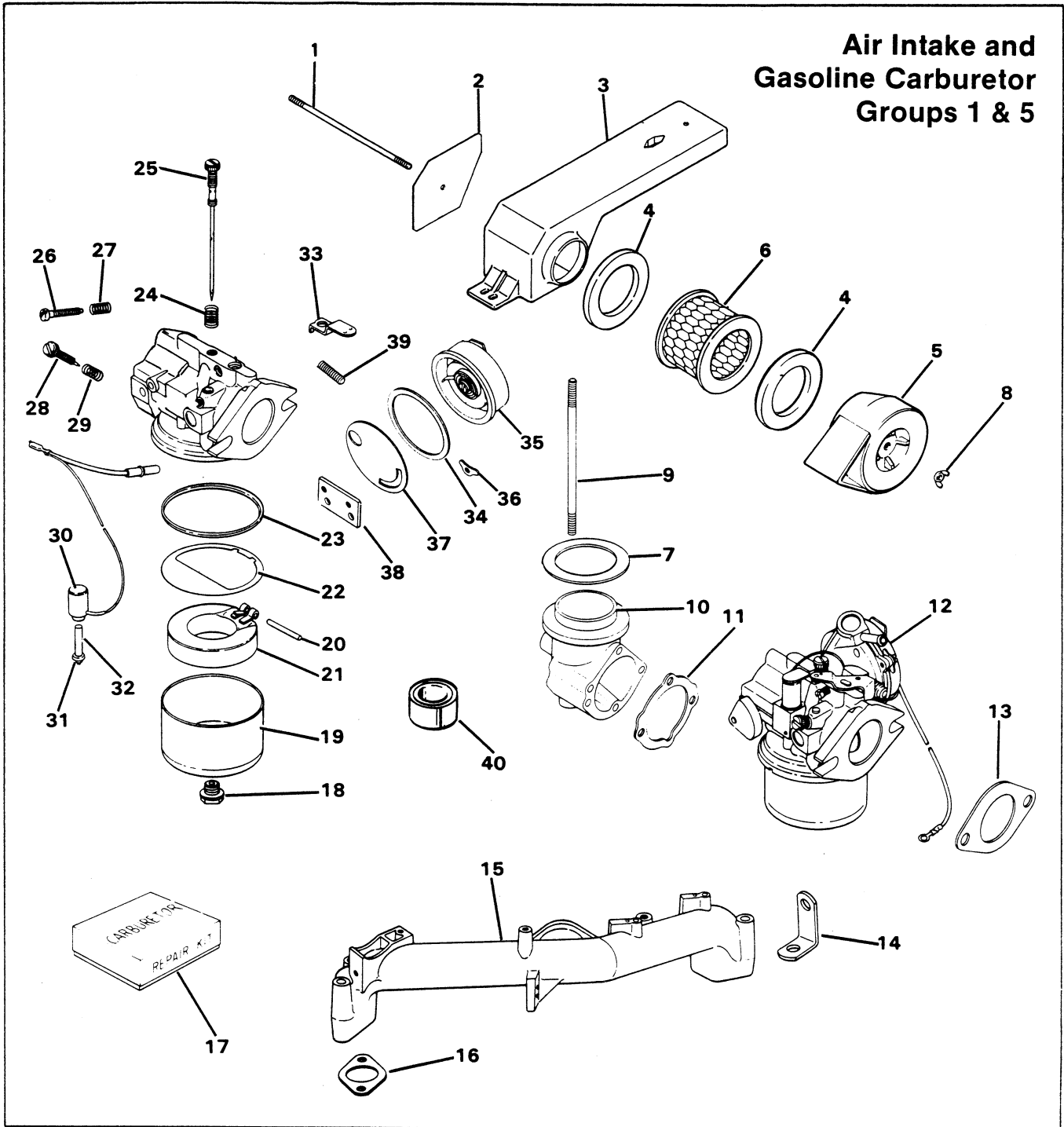
SERIES 101

SPECIFICATION NUMBER INDEX

GROUP TITLE & NUMBER	AIR INTAKE	BAFFLES & SHROUD	BREATHER & VENT	CAMSHAFT & VALVES	CARBURETOR	CRANKCASE	CRANKSHAFT	CYLINDER HEAD	DIPSTICK	ELECTRIC START	EXHAUST	FLYWHEEL	FUEL PUMP	GOVERNOR	IGNITION	PISTON & ROD	OIL PUMP	HIGH TEMP. CUTOFF	SKID & PLANT MTG.	GENERATOR & MTG.	CONTROLLER & MTG.
GROUP #	1	2	3	4	5	7	8	9	10	11	12	13	14	17	18	22	25	31	109	201	301
PAGE	3	6	7	7	3	6	9	6	6	10	11	10	12	13	19	9	15	6	16	17	19
GRID	00	00	00	A0	A0	A0	A0	A0	A00	A00	A00	A00	A00	A00	A00	A00	A00	A00	A00	A00	A00
SPEC NO.	VARIATION NO.																				
10111a	402	6	6	2	11	20	7	3	2	1	601	6	2	3	4	1	102	1	2	1	2
10112a	402	6	6	2	11	20	7	3	2	1	602	6	24	3	4	1	102	1	3	2	2
10113a	403	6	6	7	30	78	66	3	2	1	601	39	2	3	4	5	102	1	2	1	3
10114a	402	6	6	7	11	78	66	3	2	1	601	39	2	3	4	5	102	1	2	3	2
10115a	403	6	6	7	30	78	66	3	2	1	601	39	2	3	4	5	102	1	2	3	3
10116a	402	6	6	7	11	78	66	3	2	1	601	39	2	3	4	5	102	1	2	4	2
10117a	403	6	6	7	30	78	66	3	2	1	602	39	2	3	4	5	102	1	3	7	5
10118a	402	6	6	7	11	78	66	3	2	1	601	39	2	3	4	5	102	1	4	5	2
10119a	402	6	6	7	11	78	66	3	2	1	601	39	2	3	4	5	102	1	4	6	2
10120a	402	6	6	7	11	78	66	3	2	1	602	39	24	3	4	5	102	1	3	7	4
10122a	404	6	6	13	4	96	87	1	2	1	603	39	2	3	4	14	2	—	6	5	7
10123a	404	6	6	13	4	96	87	1	2	1	603	39	2	3	4	14	2	—	6	12	7
10124a	404	6	6	13	4	96	87	1	2	1	604	39	2	3	4	14	2	—	7	7	9
10125a	404	6	6	13	3	96	87	1	2	1	603	39	2	3	4	14	2	—	6	1	8
10126a	404	6	6	13	3	96	87	1	2	1	604	39	2	3	4	14	2	—	7	7	10
10127a	404	6	6	13	4	96	87	1	2	1	603	39	2	3	4	14	2	—	6	3	7
10128a	404	6	6	13	4	96	87	1	2	1	603	39	2	3	4	14	2	—	6	6	7
10129a	404	6	6	13	4	96	87	1	2	1	603	39	2	3	4	14	2	—	6	4	7
10130a	404	6	6	13	3	96	87	1	2	1	603	39	2	3	4	14	2	—	6	3	8
10131a	404	6	6	13	4	96	87	1	2	1	603	39	2	3	4	14	2	—	6	13	15

SERIES 101

Air Intake and Gasoline Carburetor Groups 1 & 5



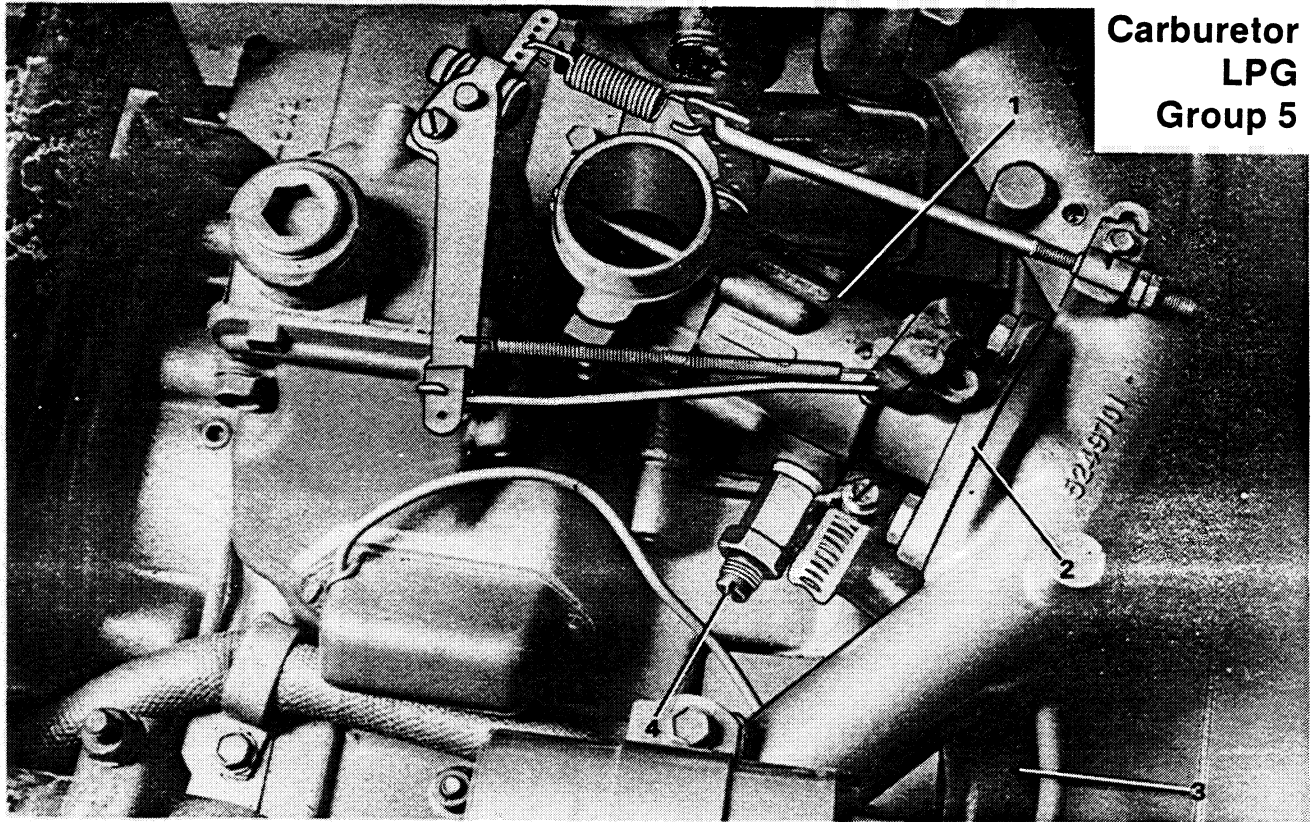
Item	Description Group	Part No. Variation No.	Item	Description Group	Part No. Variation No.
1	Stud, air cleaner 1	270543 402,403,404	4	Gasket, air cleaner (2) 1	277849 402,403,404
2	Support, air cleaner 1	277969 402,403,404	5	Cover, air cleaner 1	277888 402,403,404
3	Duct, air intake 1	277838 402,404	6	Element, air cleaner 1	277759 402,403,404
	Duct, air intake 1	277859 403	7	Gasket, elbow 1	52 055 04 402,403,404

SERIES 101

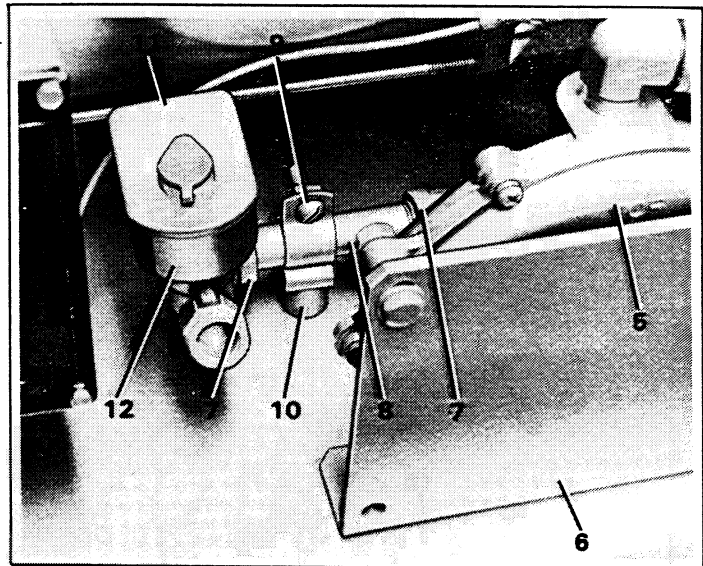
Item	Description Group	Part No. Variation No.	Item	Description Group	Part No. Variation No.
8	Nut, wing 1	X-276-7 402,403,404	25	Needle, main fuel adj. 5	52 103 02 4,11
9	Stud, air intake elbow 1	X-352-38 402,403,404	26	Screw, idle speed adj. 5	232556 4,11
10	Elbow, air intake 1	52 534 04 402,404	27	Spring, idle speed 5	232555 4,11
	Elbow, air intake 1	277869 403	28	Screw, idle fuel adj. 5	235006 4,11
11	Gasket, air cleaner 1	277069 402,403,404	29	Spring, idle fuel 5	200380 4,11
12	Carburetor Assembly, gasoline 5	52 053 15 4,11	30	Solenoid, shut down, kit 5	41 755 12 4,11
13	Gasket, carburetor 5	271030 4,11	31	O-Ring 5	41 141 03 4,11
14	Strap, lifting 5	52 445 02 4,11	32	Plunger 5	41 385 01 4,11
15	Manifold, intake 5	52 358 02 4,11	33	Bracket, solenoid 5	45 126 12 4,11
16	Gasket, intake manifold (2) 5	52 041 09 4,11	34	Gasket 5	277281 4,11
17	Kit, repair 5	25 727 02 4,11	35	Heater, choke 5	52 175 01 4,11
18	Nut, bowl 5	47 100 06 4,11	36	Retainer, choke (2) 5	277275 4,11
19	Bowl, carburetor 5	235448 4,11	37	Plate, baffle 5	277297 4,11
20	Pin, float lever 5	200376 4,11	38	Bracket, choke 5	48 126 01 4,11
21	Kit, float (includes gasket) 5	25 757 03 4,11	39	Connector 5	X-296-1 4,11
22	Gasket, bowl baffle 5	25 041 02 4,11	40	Bearing, needle 5	52 030 04 4
23	Gasket, bowl 5	200375 4,11		Bearing, needle 5	52 030 05 4
24	Spring, main fuel 5	200383 4,11			

SERIES 101

Carburetor LPG Group 5



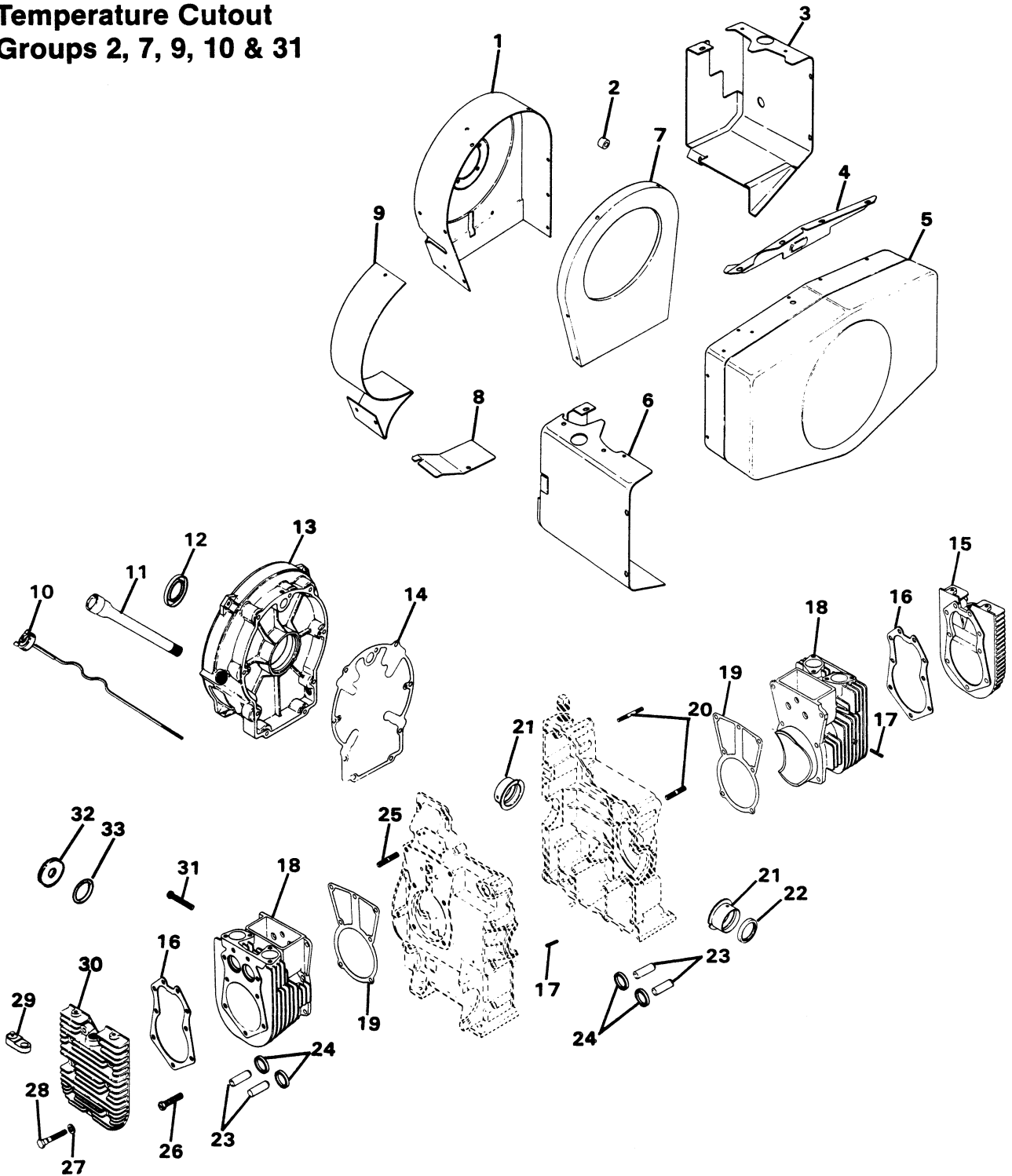
Item	Description Group	Part No. Variation No.
1	Carburetor Assembly 5	A-277871 3,30
2	Gasket, carburetor 5	271030 3,30
3	Hose (1/2" x 21") 5	X-6037-2 3,30
4	Block, load 5	277855 3,30
5	Regulator 5	B-230695 3,30
6	Bracket 5	241880 3,30
7	Elbow (2) 5	X-211-8 3,30
8	Pipe 5	153675 3,30
9	Clamp, conduit 5	X-6065-1 3,30
10	Spacer 5	X-400-109 3,30
11	Bushing 5	248896 3,30
12	Valve, gas 5	277857 3,30



NOTE: For air intake parts for variation 30 refer to page 3, variation number is 403.
For air intake parts for variation 3 refer to page 3, variation number is 404.

SERIES 101

**Baffles and Shroud,
Crankcase, Cylinder Head,
Dipstick and High
Temperature Cutout
Groups 2, 7, 9, 10 & 31**

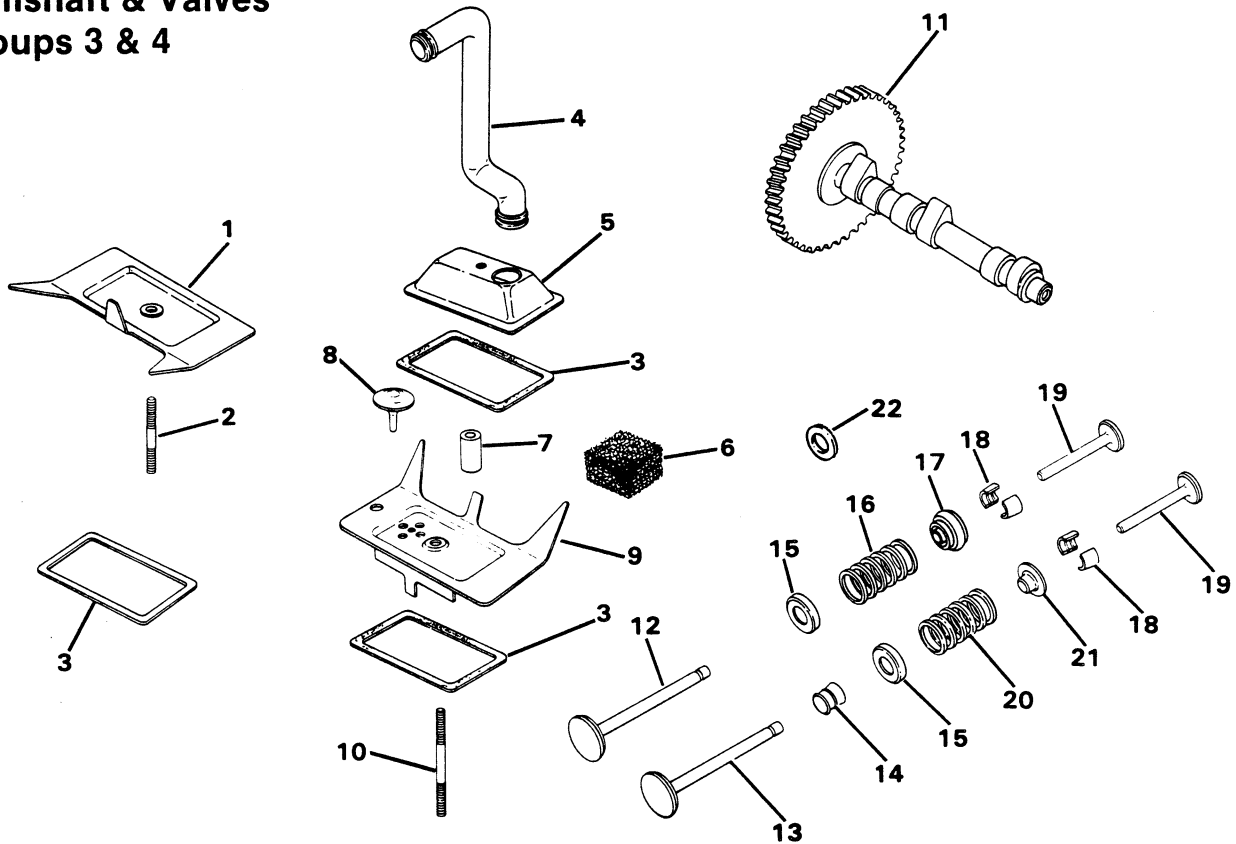


SERIES 101

Item	Description Group	Part No. Variation No.	Item	Description Group	Part No. Variation No.
1	Scroll 2	52 416 01 6	20	Stud (2) 7	232810 20,59
2	Spacer (2) 2	41 112 10 6		Stud (1) 9	232810 3
3	Baffle, cylinder #1 2	52 063 08 6	21	Bearing, sleeve (2) 7	52 030 02 20,59,78
4	Support, upper housing 2	52 217 01 6		Bearing, sleeve (2) 7	52 030 10 96
5	Housing blower 2	52 027 03 6	22	Seal, front oil (Use before serial #099052)	52 032 07
6	Baffle, cylinder #2 2	52 063 09 6		Seal, front oil (Use after serial #099051) 7	52 032 10 20,59,78,96
7	Cover, scroll 2	52 096 10 6	23	Guide, valve (4) (Use before serial #114550)	52 316 04
8	Baffle, top cylinder #2 2	52 063 02 6		Guide, valve (4) (Use after serial #114549) 7	52 316 06 20,59,78,96
9	Baffle, side 2	52 063 07 6	24	Insert valve seat (2) 7	230265 20,59,78
10	Dipstick 10	52 272 02 2	25	Stud (12) (3/8-16 x 2) 7	52 072 01 20,59,78
11	Tube, oil fill 10	277723 2	26	Screw 9	230577 3
12	Seal, rear oil 7	X-583-5 20,59,78,96	27	Washer (5/16) (18) 9	220534 1,3
13	Adapter, generator 7	52 029 01 20,59,78	28	Screw (5/16-18 x 1-1/2) (17) 9	41 086 02 1,3
	Adapter, generator 7	52 029 07 96	29	Switch, cutout 9	230989 1
14	Gasket, rear closure plate 7	52 041 08 20,59,78,96	30	Head, cylinder #2 9	52 015 04 3
15	Head, cylinder #1 9	52 015 05 3		Head, cylinder (2) 9	52 015 08 1
16	Gasket, head (2) 9	52 052 03 1,3	31	Screw, washer head (7) 7	X-802-9 20,59,96
17	Pin, roll 7	X-280-10 20,59,96		Screw, washer head (9) 7	X-802-9 78
18	Barrel, cylinder (2) 7	52 565 27 20,59,78,96	32	Washer (2) 7	41 468 01 96
19	Gasket, cylinder barrel (2) 7	52 041 04 20,59,78,96	33	O-ring 7	52 141 02 96

SERIES 101

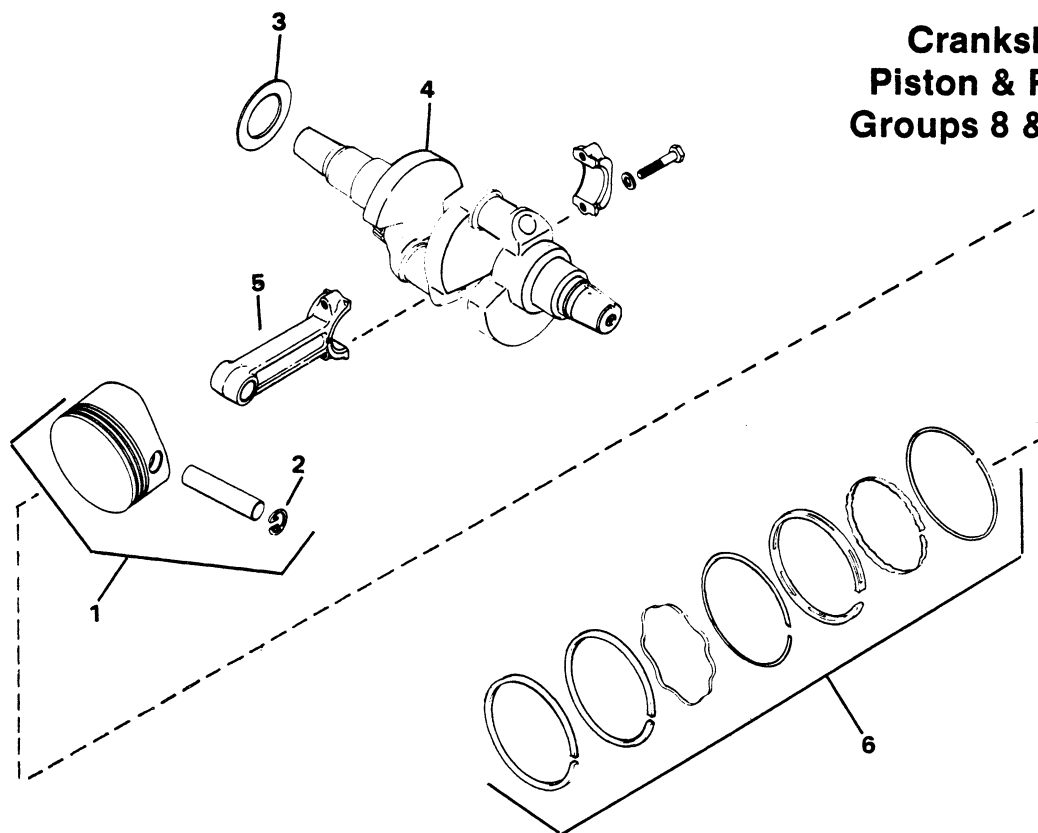
Breather & Vent and Camshaft & Valves Groups 3 & 4



Item	Description Group	Part No. Variation No.	Item	Description Group	Part No. Variation No.
1	Cover, valve (cylinder #2) 3	52 254 08 6	13	Valve, intake (2) 4	52 017 02 2,7,13
2	Stud 3	X-352-39 6	14	Seal, valve stem 4	52 032 05 2,7
3	Gasket, valve cover (3) 3	52 055 01 6		Seal, valve stem 4	52 032 13 13
4	Hose, breather 3	52 326 08 6	15	Retainer, spring (4) 4	52 018 01 2,7,13
5	Cover, valve (cylinder #1, upper) 3	52 096 08 6	16	Spring, valve (4) 4	230168 2
6	Filter, breather 3	231419 6		Spring, valve (2) 4	230168 7,13
7	Seal, breather 3	52 032 04 6	17	Valve, rotator (2) 4	230020 2,7
8	Valve, umbrella 3	52 462 01 6		Valve, rotator (2) 4	52 413 01 13
9	Cover, valve (cylinder #1, lower) 3	52 254 07 6	18	Kit, retainer (4) 4	41 755 10 2,7,13
10	Stud 3	275220 6	19	Tappet (4) 4	52 019 01 2,7
11	Camshaft 4	52 010 02 2,7		Tappet (4) 4	52 019 02 13
	Camshaft 4	52 012 06 13	20	Spring, intake valve (2) 4	230010 7,13
12	Valve, exhaust (2) 4	52 016 02 2,7,13	21	Retainer, spring (2) 4	230011 2,7,13
			22	Shim 4	52 422 03 13

SERIES 101

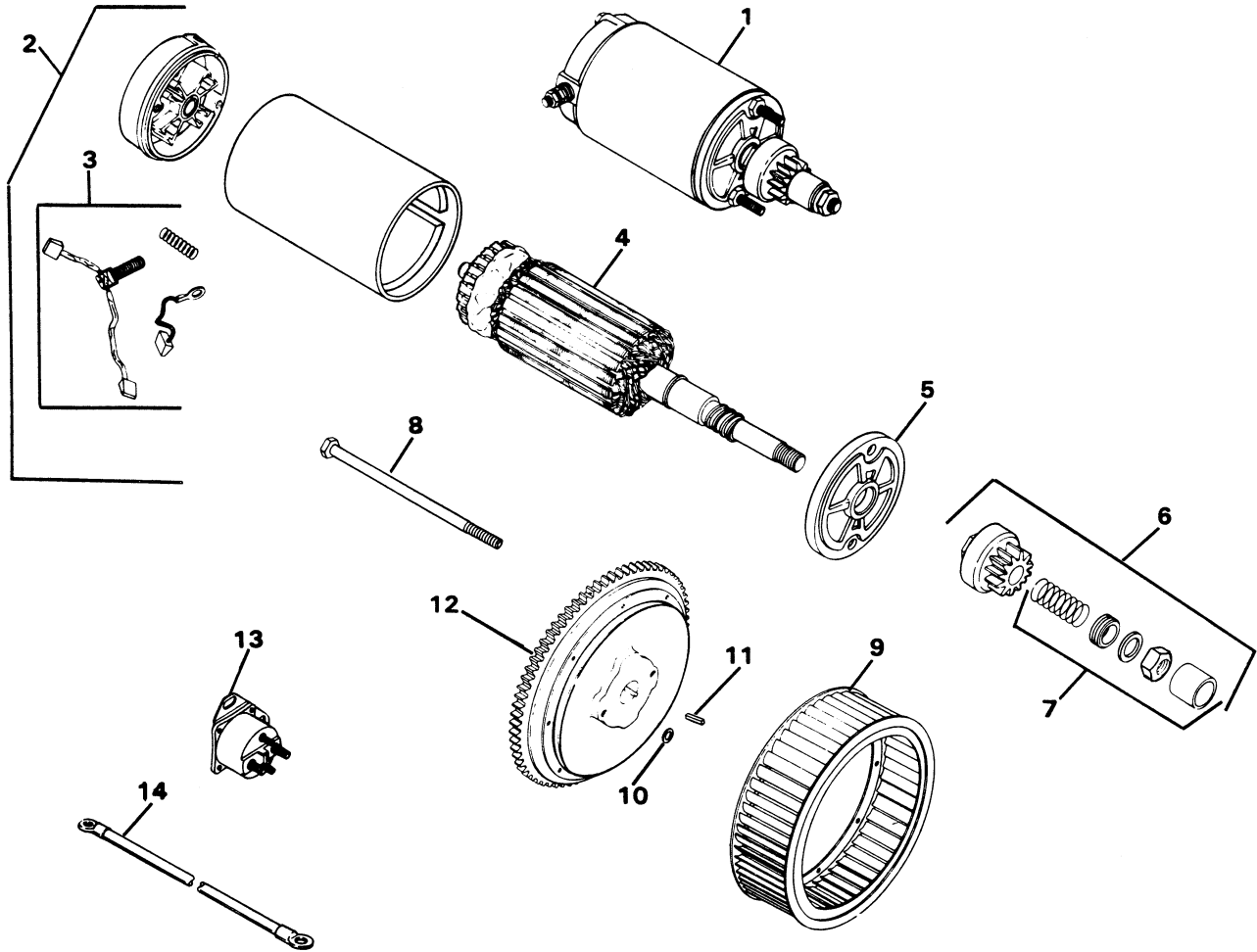
Crankshaft Piston & Rod Groups 8 & 22



Item	Description Group	Part No. Variation No.	Item	Description Group	Part No. Variation No.
1	Piston Assembly (Std.)	52 074 67		Crankshaft	52 014 31
	22	1,5		(Use after serial #099051)	
	Piston Assembly (Std.)	52 874 11	8		7,66
	22	14		Crankshaft	52 014 67
	Piston Assembly (.003)	52 074 68	8		87
	22	1,5	5	Rod, connecting (std.) (2)	52 067 29
	Piston Assembly (.003)	52 874 12		22	1
	22	14		Rod, connecting (std.) (2)	52 067 67
	Piston Assembly (.010)	52 074 69		22	14
	22	1,5		Rod, connecting (.010) (2)	52 067 30
	Piston Assembly (.010)	52 874 13		22	1
	22	14		Rod, connecting (.010) (2)	52 067 68
	Piston Assembly (.020)	52 074 70		22	14
	22	1,5	6	Ring set (std.) (2)	52 108 01
	Piston Assembly (.020)	52 874 14		22	1,5
	22	14		Ring set (std.) (2)	52 108 09
	Piston Assembly (.030)	52 074 71		22	14
	22	1,5		Ring set (.003) (2)	52 108 01
	Piston Assembly (.030)	52 874 15		22	1,5
	22	14		Ring set (.010) (2)	52 108 02
2	Retainer, piston pin (4)	230004		22	1,5
	22	1,5,14		Ring set (.010) (2)	52 108 10
3	Washer, thrust (.123/.126)	52 468 03		22	14
	8	7,87		Ring set (.020) (2)	52 108 03
	Washer, thrust (.130/.133)	52 468 04		22	1,5
	8	7,87		Ring set (.020) (2)	52 108 11
	Washer, thrust (.138/.141)	52 468 05		22	14
	8	7,87		Ring set (.030) (2)	52 108 04
4	Crankshaft	52 014 15		22	1,5
	(Use before serial #099052)			Ring set (.030) (2)	52 108 12
	8	7,66		22	14

SERIES 101

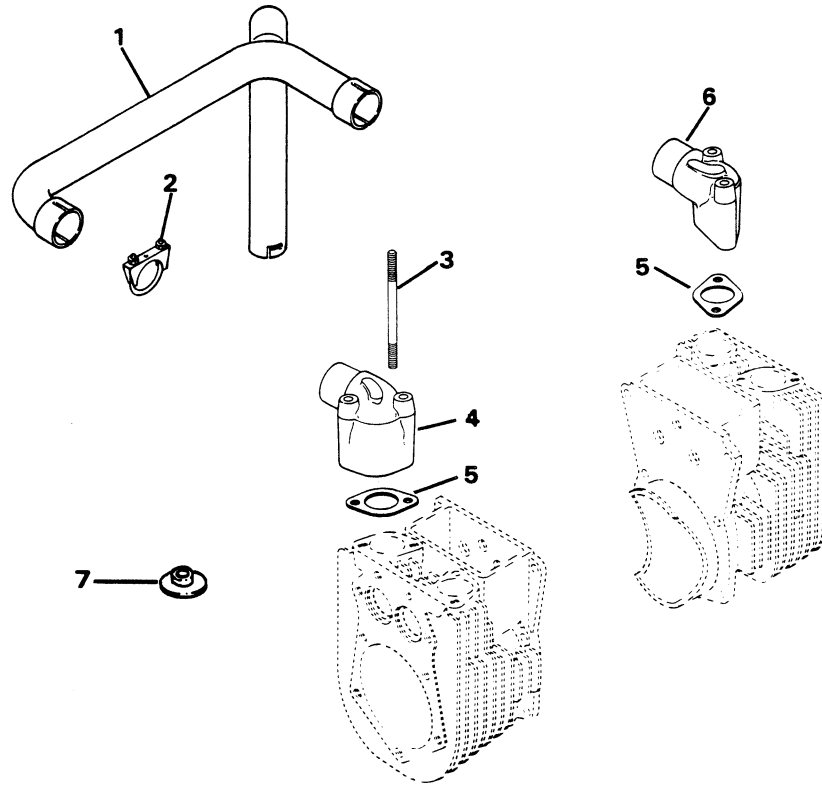
Starter and Flywheel Groups 11 & 13



Item	Description Group	Part No. Variation No.	Item	Description Group	Part No. Variation No.
1	Starter Assembly	52 098 03	9	Fan	52 157 01
	11	1		13	6,39
2	Kit, commutator end cap	48 227 04	10	Washer	52 114 02
	11	1		13	6,39
3	Kit, brush and spring	48 755 15	11	Key	X-286-17
	11	1		13	6,39
4	Armature	52 170 02	12	Flywheel	52 025 16
	11	1		(Use before serial #099052)	
5	Cap, drive end	52 227 01		Flywheel	52 025 24
	11	1		(Use after serial #099051)	6
6	Kit, drive	52 755 05		Flywheel	52 025 21
	11	1		13	39
7	Kit, drive parts	52 755 08	13	Switch, relay	248846
	11	1		11	1
8	Bolt, thru (2)	52 211 01	14	Cable, battery	X-545-28
	11	1		11	1

SERIES 101

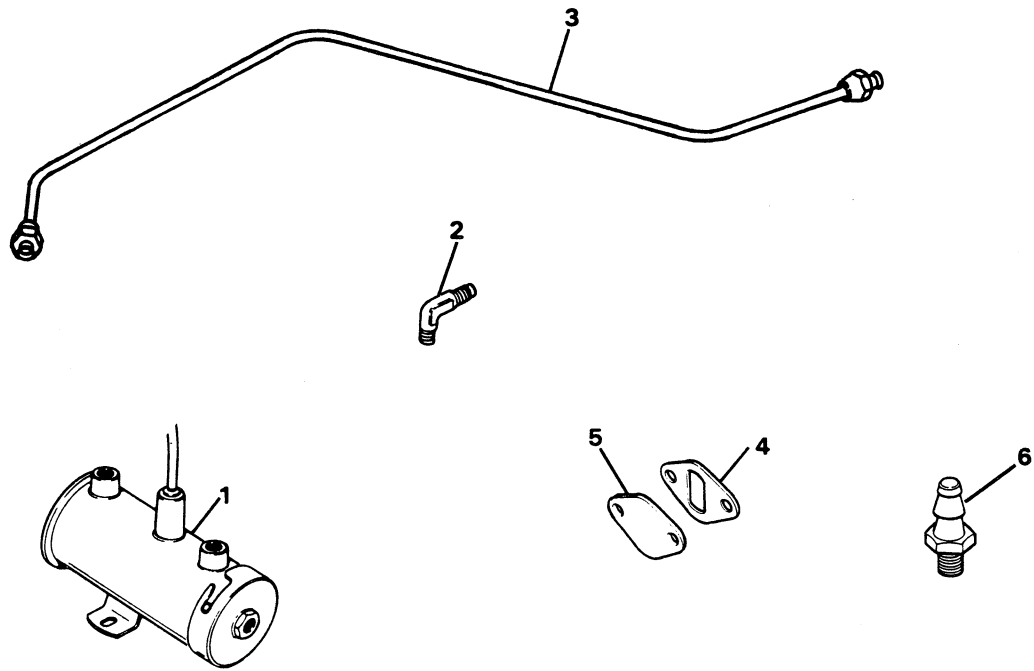
Exhaust Group 12



Item	Description Group	Part No. Variation No.	Item	Description Group	Part No. Variation No.
1	Tube, exhaust	277774	4	Manifold, exhaust (#2)	52 054 03
	12	601,603		12	601,602,603
	Tube, exhaust	277865	5	Gasket, exhaust (2)	52 041 10
	12	602,604		12	601,602,603
2	Clamp (2)	237548	6	Manifold, exhaust (#1)	52 054 01
	12	601,602,603, 604		12	601,602,603
3	Stud (4)	X-352-18	7	Grommet, spark plug (2)	278121
	12	601,602		12	603,604
	Stud (4)	52 072 13			
	12	603,604			

SERIES 101

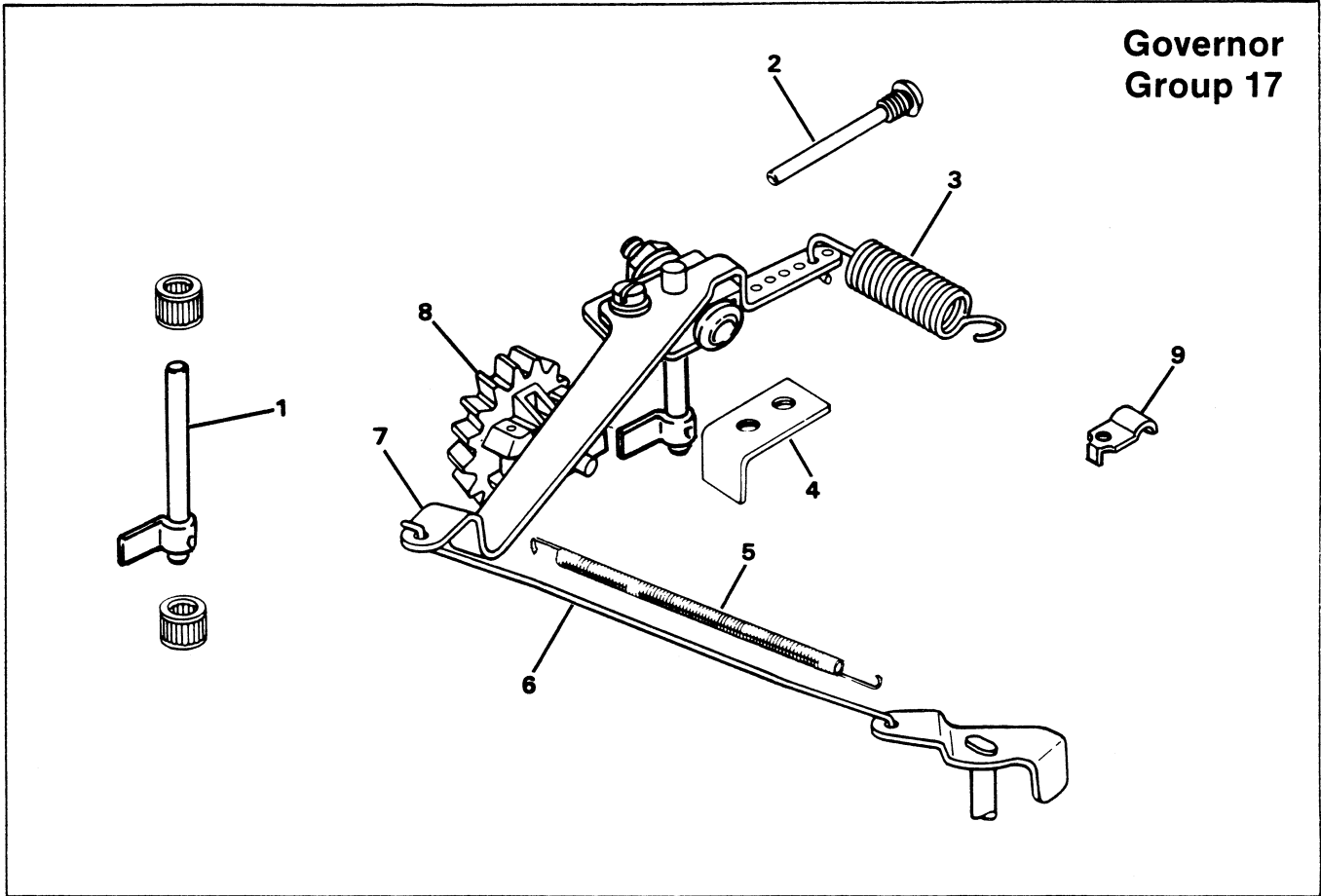
Fuel Pump Group 14



Item	Description Group	Part No. Variation No.	Item	Description Group	Part No. Variation No.
1	Pump, fuel 14	277818 24	4	Gasket, fuel pump 14	47 041 04 2
2	Elbow (1) 14	X-447-10 24	5	Cover, pump pad 14	240282 2
3	Line, fuel 14	277836 24	6	Connector, hose 14	X-380-1 24

SERIES 101

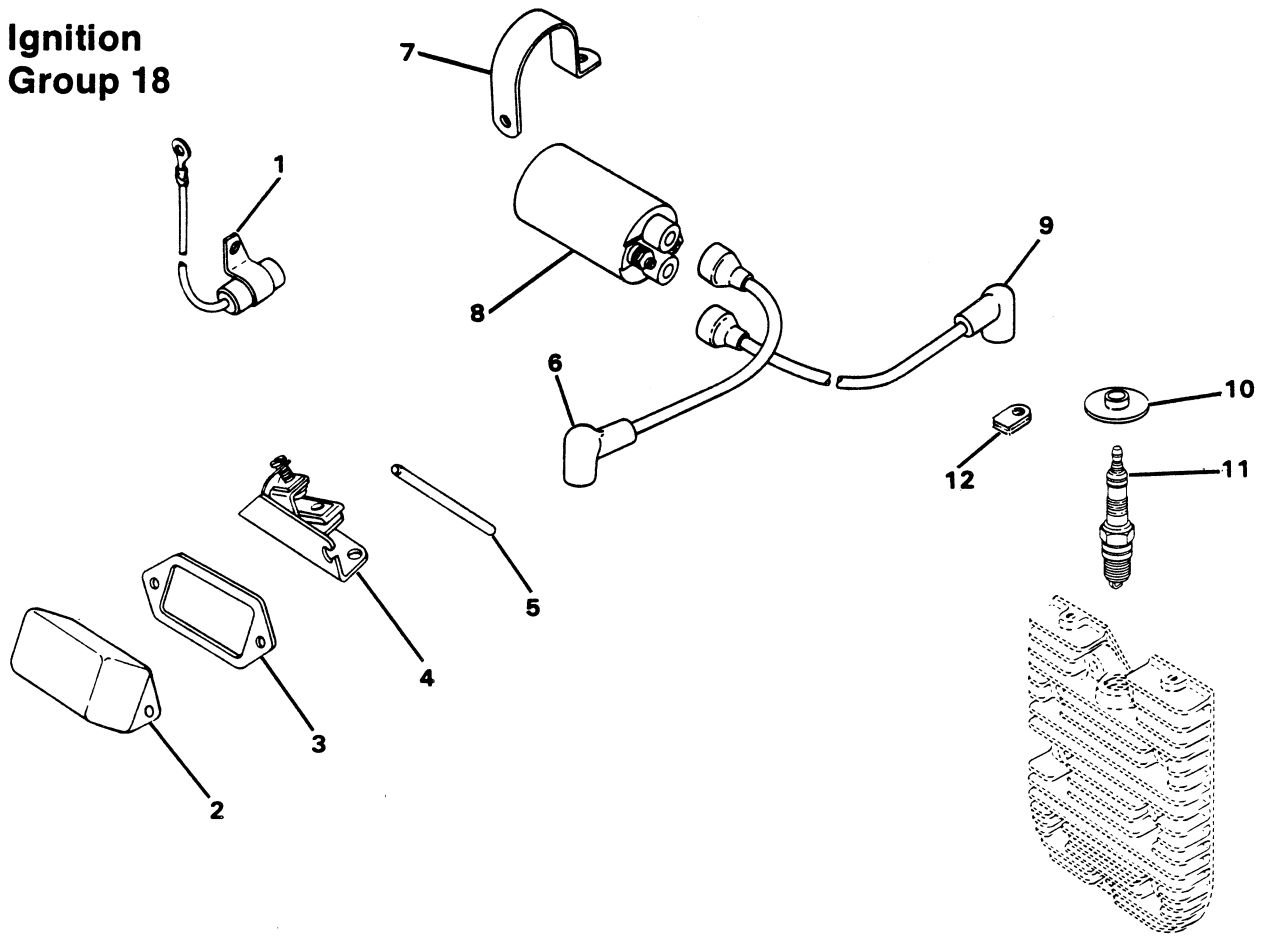
Governor Group 17



Item	Description Group	Part No. Variation No.	Item	Description Group	Part No. Variation No.
1	Shaft, governor cross 17	52 420 06 3	6	Link, governor 17	52 354 02 3
2	Pin, governor stop 17	231355 3	7	Arm, governor 17	52 186 03 3
3	Spring, governor 17	52 091 06 3	8	Gear, governor 17	52 042 02 3
4	Bracket, governor housing 17	52 126 01 3	9	Clamp, cable 17	235778 3
5	Spring linkage 17	230117 3			

SERIES 101

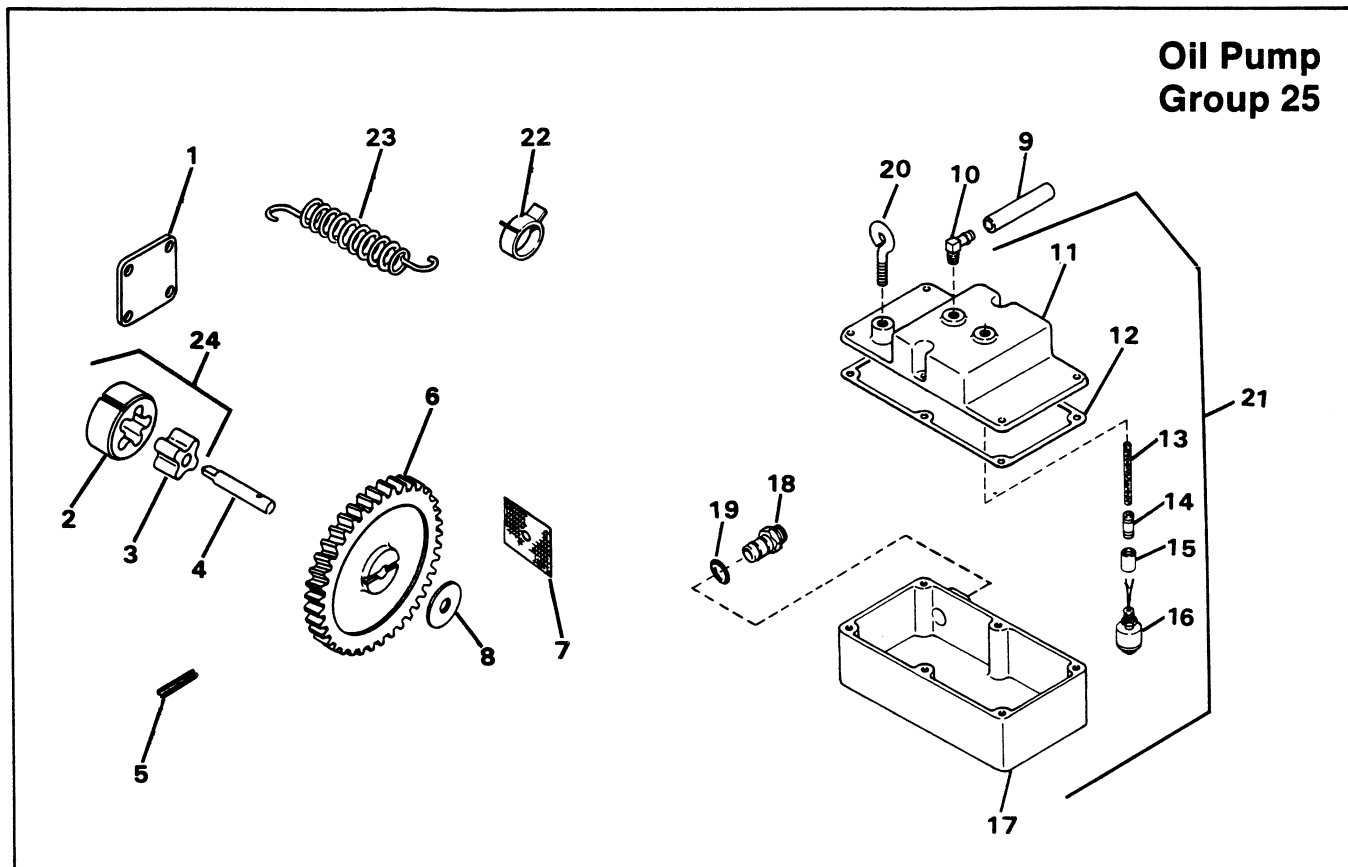
Ignition Group 18



Item	Description Group	Part No. Variation No.	Item	Description Group	Part No. Variation No.
1	Condenser (Includes 2) 18	52 755 13	7	Strap, coil 18	52 445 03 4,13
	Condenser 18	52 147 01 13	8	Coil, ignition 18	52 145 02 4
2	Cover, breaker 18	51 096 02 4,13		Coil, ignition 18	52 145 03 13
3	Gasket, breaker cover 18	52 041 11 4,13	9	Lead, hi-tension (19") 18	52 348 02 4
4	Breaker 18	47 150 03 4,13		Lead, hi-tension 18	52 348 04 13
5	Rod, push 18	52 411 03 4	10	Grommet, spark plug (2) 18	47 313 01 4,13
	Rod, push 18	52 411 05 13	11	Plug, spark (2) 18	51 132 02 4
6	Lead, hi-tension (11") 18	52 348 01 4	12	Grommet, rubber 18	220297 13
	Lead, hi-tension 18	52 348 03 13			

SERIES 101

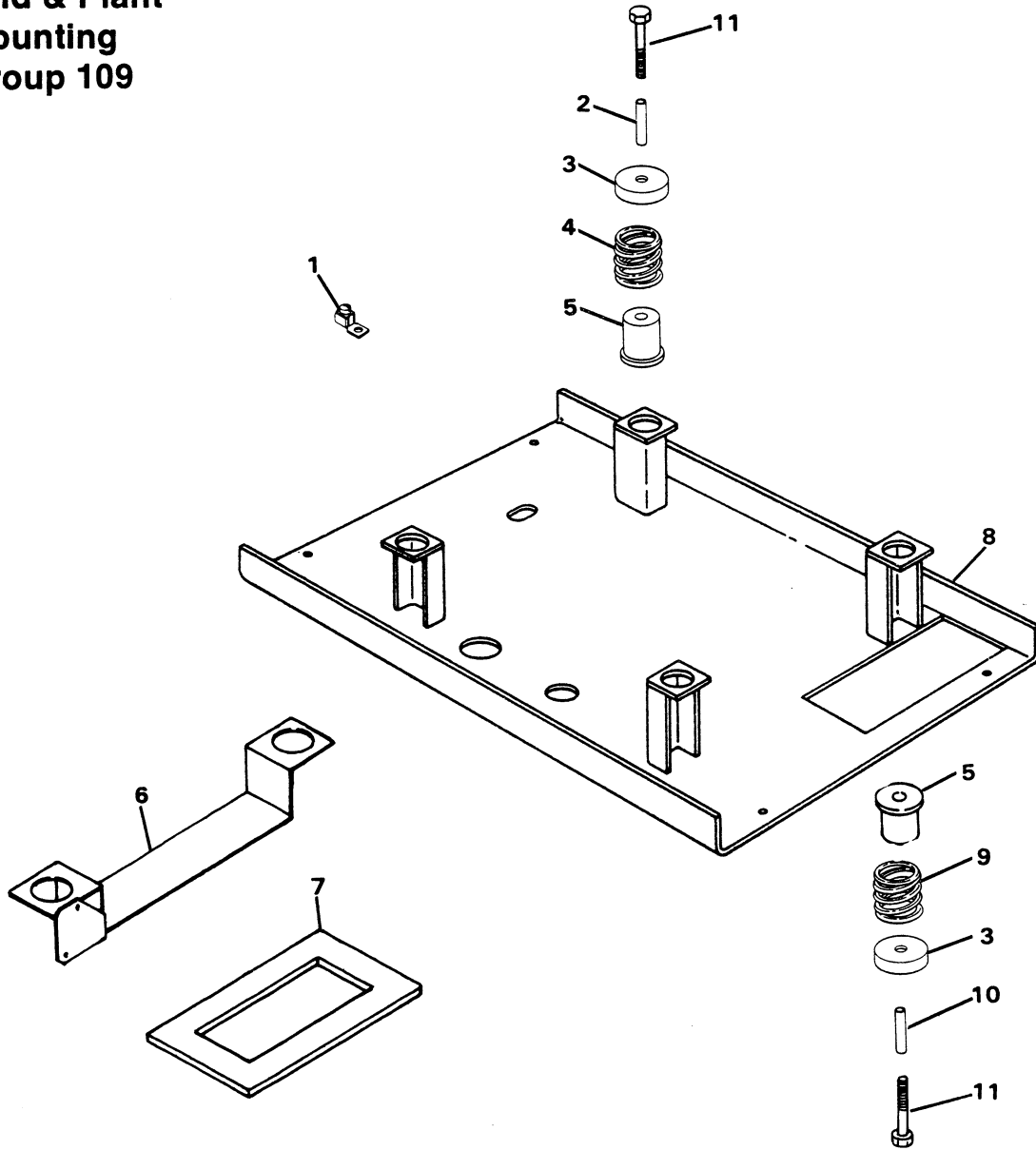
Oil Pump Group 25



Item	Description Group	Part No. Variation No.	Item	Description Group	Part No. Variation No.
1	Cover, oil pump 25	52 096 03 4,102,103	13	Sleeving 25	X-6004-2 102,103
2	Rotor, outer 25	51 414 02 102,103	14	Pipe 25	X-217-7 102,103
3	Rotor, inner 25	51 414 01 102,103	15	Coupling 25	X-216-24 102,103
4	Shaft, oil pump 25	52 144 05 4,102,103	16	Switch, level 25	277830 102,103
5	Pin, roll 25	X-280-25 4,102,103	17	Tank, oil 25	277829 102,103
6	Gear, oil pump 25	52 043 03 102,103	18	Adapter 25	277827 102,103
	Gear, oil pump 25	52 043 05 4	19	O-Ring 25	237287 102,103
7	Screen, oil 25	52 162 04 102,103	20	Bolt, eye 25	277826 102,103
8	Spacer, shim 25	52 422 01 4,102,103	21	Assembly, oil tank 25	A-277832 102,103
9	Hose 25	X-651-14 102,103	22	Clamp, hose (2) 25	X-309-17 102,103
10	Connector 25	X-391-12 102,103	23	Spring 25	277889 103
11	Cover, oil tank 25	277828 102,103	24	Oil Pump Assembly 25	52 393 09 4
12	Gasket 25	277831 102,103			

SERIES 101

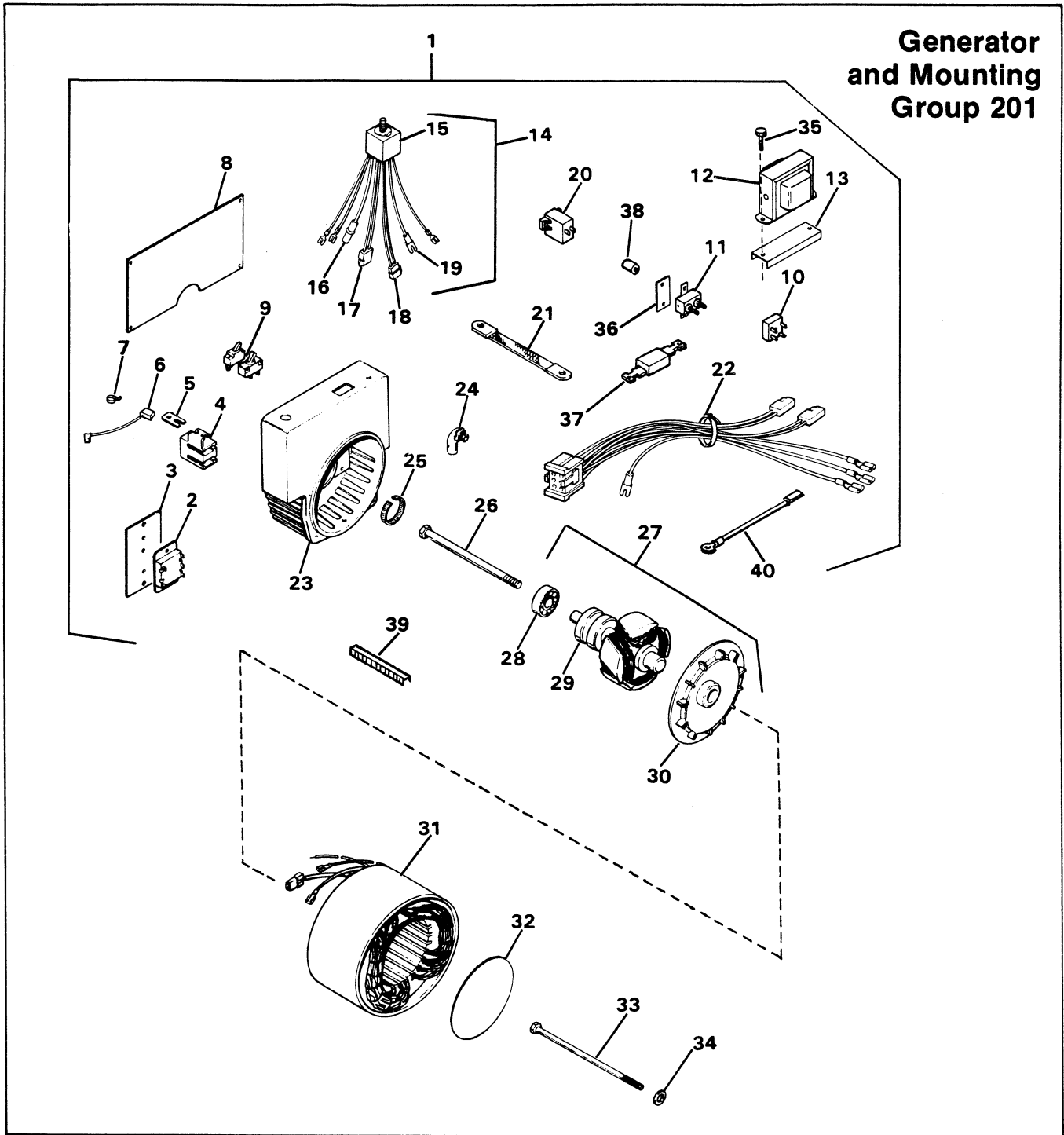
Skid & Plant Mounting Group 109



Item	Description Group	Part No. Variation No.	Item	Description Group	Part No. Variation No.
1	Terminal, ground 109	X-377-11 2,3,4,6,7	8	Tray 109	277977 2,4
2	Spacer (2) 109	X-400-82 2,3,4,6,7		Tray 109	277863 3
3	Mount, cup (4) 109	237452 2,3,4,6,7		Tray 109	278052 6
4	Spring, compression (gen.) (2) 109	238063 2,3,4,6,7		Tray 109	278059 7
5	Mount, tee (4) 109	237451 2,3,4,6,7	9	Spring, compression (eng.) 109	238034 2,3,4,6,7
6	Bracket, engine mounting 109	277837 2,3,4,6,7	10	Spacer 109	X-400-84 2,3,4,6,7
7	Insulator 109	277758 2,3,4,6,7	11	Screw, machine (3/8-16 x 3-3/4) (4) 109	X-7-35 2,3,4,6,7

SERIES 101

Generator and Mounting Group 201



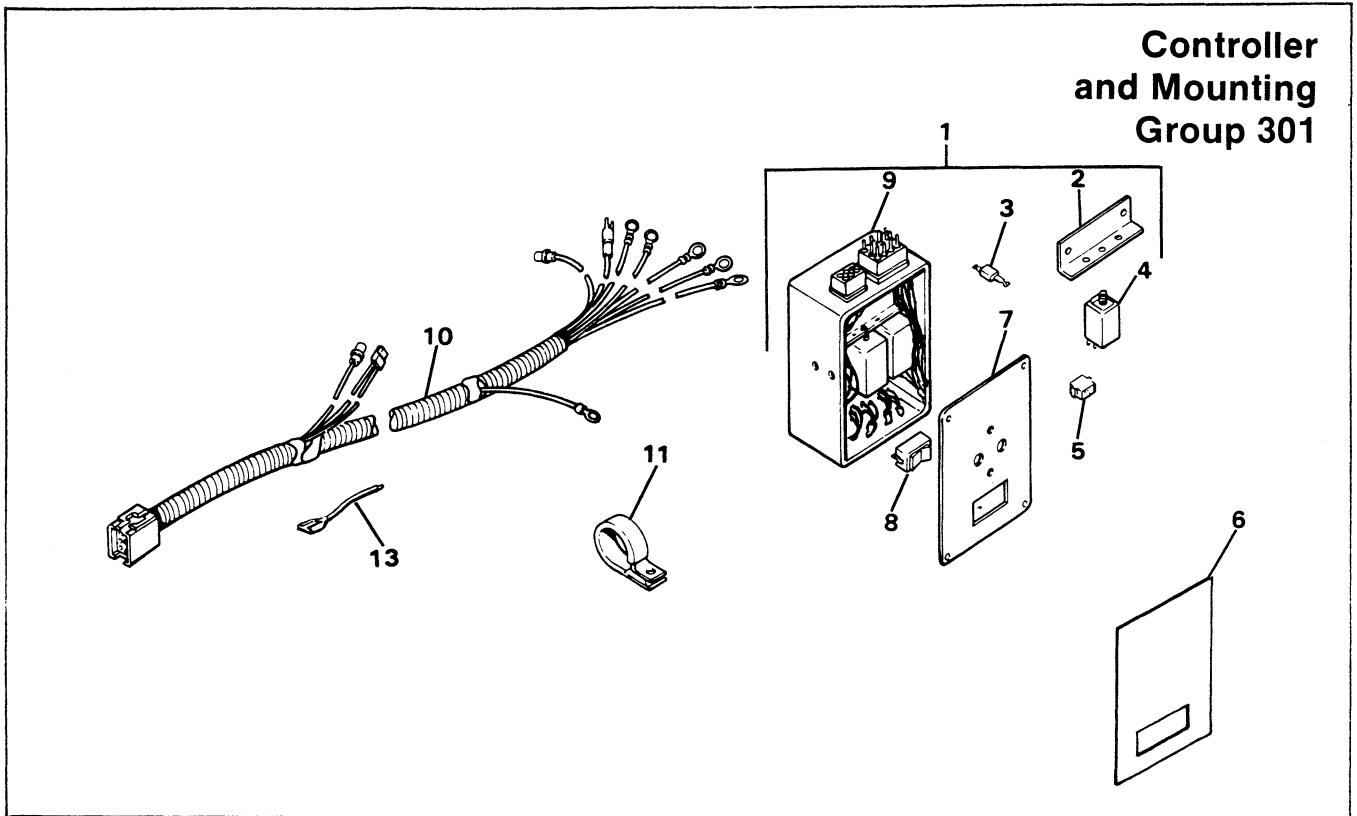
Item	Description Group	Part No. Variation No.	Item	Description Group	Part No. Variation No.
1	Bracket Assembly, end 201	A-277864 2		Bracket Assembly, end 201	B-277946 6
	Bracket Assembly, end 201	B-277814 1		Bracket Assembly, end 201	A-277949 7
	Bracket Assembly, end 201	A-277874 3		Bracket Assembly, end 201	A-278106 12
	Bracket Assembly, end 201	B-277861 4		Bracket Assembly, end 201	A-278120 13
	Bracket Assembly, end 201	A-277945 5			

SERIES 101

Item	Description Group	Part No. Variation No.	Item	Description Group	Part No. Variation No.
2	Regulator, voltage 201	287978 1,2,3,4,5,6,7,12,13	21	Strap, ground 201	277839 1,2,3,4,5,6,7,12,13
3	Plate 201	277803 1,2,3,4,5,6,7,12,13	22	Harness, wire 201	269169 1
4	Holder, brush 201	269367 1,2,3,4,5,6,7	23	Bracket, end 201	238745 1,2,3,4,7,12
	Holder, brush 201	239247 12,13		Bracket, end 201	277943 5,6
5	Shim, brush holder 201	238248 1,2,3,4,5,6,7,12,13		Bracket, end 201	278116 13
6	Brush (2) 201	277819 1,2,3,4,5,6,7,12,13	24	Elbow, conduit 201	X-252-13 1,2,3,5,6,7,12,13
7	Spring, brush (2) 201	238150 1,2,3,4,5,6,7,12,13	25	Ring, tolerance 201	238211 1,2,3,4,5,6,7,12,13
8	Panel, controller 201	238461 1,2,3,4,5,6,7,12,13	26	Bolt, thru 201	242893 1,2,3,4,5,6,7,12,13
9	Breaker circuit (A.R.) (20 amp, 1 pole) 201	233866 1,2,3,5,6,7,12,13	27	Rotor Assembly 201	B-277755 1,2,3,4,5,6,7,12,13
	Breaker, circuit (2) (14 amp, 1 pole) 201	233878 4	28	Bearing, ball 201	X-758-1 1,2,3,4,5,6,7,12,13
10	Rectifier, bridge 201	241610 1,2,3,4,5,6,7,12,13	29	Ring, collector 201	238134 1,2,3,4,5,6,7,12,13
11	Breaker, circuit (5 amp) Breaker, circuit (8 amp) (Refer to circuit breaker casting for proper amperage) 201	291265 259459 1,2,3,4,5,6,12,13	30	Fan, generator 201	277748 1,2,3,4,5,6,7,12,13
12	Transformer 201	277776 1,2,3,4,5,6,12,13	31	Stator 201	238202 1,2,3,5,6,7,12,13
13	Bracket, transformer mtg. 201	277820 1,2,3,4,5,6,12,13		Stator 201	238332 4
14	Relay Assembly 201	A-277821 1,2,3,4,5,6,7,12,13	32	Guard, fan 201	238214 1,2,3,4,5,6,7,12,13
15	Relay 201	241737 1,2,3,4,5,6,7,12,13	33	Bolt, over (4) 201	238213 1,2,3,4,5,6,7,12,13
16	Plug 201	236977 1,2,3,4,5,6	34	Washer, hardened (4) 201	X-801-2 1,2,3,4,5,6,7,12,13
17	Connector 201	269166 1,2,3,4,5,6,7,12,13	35	Screw, hex head (2) (#10-24) 201	X-50-51 1,2,3,4,5,6,12,13
18	Plug 201	269165 1,2,3,4,5,6,7,12,13	36	Insulator 201	277944 5,6,7
19	Connector 201	236979 1,2,3,4,5,6,7,12,13	37	Diode 201	241739 5,6,7
20	Posistor 201	277853 1,2,3,4,7,12,13	38	Spacer (2) 201	X-712-2 5,6,7
			39	Grommet, nylon 201	239429 12
			40	Lead Assembly 201	277971 12,13

SERIES 101

Controller and Mounting Group 301



Item	Description Group	Part No. Variation No.	Item	Description Group	Part No. Variation No.
1	Controller Assembly 301	A-241752		Harness, wiring 301	A-277958 5
	Controller Assembly 301	A-278047		Harness, wiring 301	A-241749 7,8,9,10
	Controller Assembly 301	A-278119		Harness, wiring 301	241966 15
2	Bracket, relay mounting 301	241759		Harness, wiring 301	278046 7,8,9,10,15
3	Diode (RE1) 301	241739		Harness, wiring 301	A-278048 7,15
4	Relay (1CR, 2CR, 3CR) (3) 301	241736		Harness, wiring 301	A-278049 8
5	Receptacle 301	287536		Harness, wiring 301	A-278050 9
	Receptacle 301	287570		Harness, wiring 301	A-278051 10
6	Nameplate (start, stop) 301	241761	11	Clamp (2) 301	X-672-10 2,3,4,5,7,8,9,10,15
7	Cover, controller 301	241756	12	Fuse, controller (internal) (not shown) 301	223316 2,3,4,5
	Cover, controller 301	278115	13	Lead 301	241750 7,8,9,10
8	Switch, rocker 301	269176		Lead 301	241772 7,8,9,10,15
9	Box, controller (discont'd) 301	C-269156		Lead 301	241964 15
10	Harness, wiring 301	A-277981		Lead 301	241965 15
	Harness, wiring 301	A-277858		Lead 301	278045 7,8,9,10,15
	Harness, wiring 301	A-277951			
		4			

SERIES 101

Gasket Set

**Includes Seals
52 755 01
(Spec. #10111a-10120a)**

Description	Part Number	Description	Part Number
Seal, oil	52 032 07	Gasket, exhaust	52 041 10
Seal, oil	X-583-5	Gasket, closure plate	52 041 08
Gasket, cover	52 041 11	Gasket, cylinder barrel (2)	52 041 04
Gasket, elbow	277069	Gasket, carburetor	271030
Gasket, air cleaner	277093	Gasket, head (2)	52 052 03
Gasket, fuel pump	47 041 04	Gasket, valve cover (2)	52 055 01
Seal, valve stem (4)	52 032 05	Gasket, elbow	52 055 04
Gasket, intake	52 041 09	Seal, breather	52 032 04

**Includes Seals
52 755 12
(Spec. #10122a-10131a)**

Description	Part Number	Description	Part Number
Seal, front oil	52 032 10	Gasket, closure plate	52 041 08
Seal, rear oil 1-3/8" I.D.	X-583-5	Gasket, cylinder barrel (2)	52 041 04
Seal, rear oil 1-1/2" I.D.	52 032 08	Gasket, carburetor	271030
Gasket, breaker cover	52 041 11	Seal, valve stem (2)	52 032 05
Gasket, elbow	277069	Gasket, cylinder head (2)	52 052 04
Gasket, air cleaner	277093	Gasket, valve cover (3)	52 055 01
Gasket, fuel pump	47 041 04	Gasket, air cleaner	52 055 04
Gasket, intake (2)	52 041 09	Seal, breather	52 032 04
Gasket, exhaust (2)	52 041 10		

Accessories

Description	Part Number	Description	Part Number
Muffler Kit — Curb Side — 277789		Board Assembly, circuit	A-269151
Clamp, muffler	237548	Panel, remote	269158
Muffler	238391	Switch, rocker	269176
Strap, muffler mtg.	277725	Remote Switch Assembly — A-269299	
Bracket	277791	Screw, sheet metal	X-798-1
Arrestor, spark	277795	Meter, hour	238736
Muffler Kit — Street Side — 277790		Switch, rocker	269296
Clamp, muffler (2)	237548	Harness Assembly	269297
Elbow, exhaust	238389	Panel, remote	269298
Muffler	238391	Remote Switch Assembly — A-239419	
Strap, muffler mtg.	277725	Screw, sheet metal (2)	X-798-1
Bracket	277791	Meter, hour	238736
Arrestor, spark	277795	Harness, wiring	239418
Remote Switch Assembly — A-269178		Switch, rocker	269296
Screw, sheet metal (2)	X-798-1	Panel, remote	269298

Nameplates & Decals

Description	Part Number	Description	Part Number
Decal — Warning	237998	Decal — Off-On Circuit Protector	238578
Decal — Warning! This is a Positive Terminal Only.	238402	Decal — Replace with UL Listed Filter No. 277759	238793
Decal — Service Schedule	238449	Nameplate — Specification	238639
Decal — Equipment Ground	238575		

