

KOHLER[®] POWER SYSTEMS

parts listing for
Models 2, 2.5 kW
RV Generators

Series 177



TP-5143
8/91

Series 177
Specification Number Index

GROUP TITLE	FUEL SYSTEM	ENGINE	NAMEPLATE & DECALS	SKID & MOUNTING	GENERATOR & MOUNTING	ENGINE PARTS	LITERATURE	ACCESSORIES
GROUP #	103	105	107	109	201	-	701	-
PAGE #	1	4	5	6	9	11	20	21
SPEC. #	VARIATION NUMBER							
177003	2	2	3	3	3	-	2	-
177004	3	2	4	3	3	-	2	-
177005	2	2	9	3	3	-	2	-
177101	4	2	7	4	3	-	2	-
177102	5	2	8	4	3	-	2	-
177103	4	2	5	4	3	-	2	-
177104	4	2	5	4	3	-	2	-
177105	4	2	7	4	3	-	2	-
177106	4	2	5	4	4	-	2	-
177107	6	2	7	5	3	-	2	-
177108	6	2	5	5	3	-	2	-
177109	6	2	7	5	3	-	2	-
177110	6	2	13	5	5	-	2	-
177111	7	3	14	6	7	-	3	-
177112	7	3	13	6	6	-	3	-
177113	8	3	15	6	7	-	3	-

INTRODUCTION

This manual contains a complete listing of service replacement parts for Kohler 2 and 2.5 CM/CMZ-RV Generator Sets with specification series code 177. The manual includes the following main sections in the sequence listed.

1. *Specification Number Index*: Listing of generator set spec numbers arranged in numerical se-

quence on each page. Group variation numbers are listed in the horizontal line to the right of each spec number.

2. *Group Parts Lists*: Indicates specific parts for each specification. Illustrations of parts are shown for some of the various parts. Illustrations are keyed to the parts numbers found in the parts group listings.

NUMBER SIGNIFICANCE

There are various numbers which must be used in determining how to identify a part number. The significance of each of these numbers is explained as follows:

Specification Number: The generator set specification number, which is found on the nameplate attached to the frame of the generator, indicates model variation or the combination of groups used to build that particular generator set. The spec number is, in effect, a coded number. The first three digits, which are the code designation for generator size and engine model, remain constant in this series while the remaining digits in the spec number are

issued in numerical sequence. When the sequential number reaches 99, the next number will be 100, for example: 177099 is followed by 177100.

Group Number: The group consists of related parts needed to provide one or more related functions.

Group Variation Number: A variation number is assigned to a parts group whenever that group, or a part or parts within that group, varies from the original design of the basic engine.

Part Number: The part number is the number by which an individual piece of a generator set is identified and ordered.

HOW TO FIND PART NUMBERS

Following is a step-by-step procedure to be used in identifying and ordering a specific part.

Item to be ordered: *ROTOR ASSEMBLY*

STEP 1: Record the *Generator Set* specification number from the nameplate on the generator frame. (Sample: 177113.)

STEP 2: In the Specification Number Index, find specification 177113 in the left-hand vertical col-

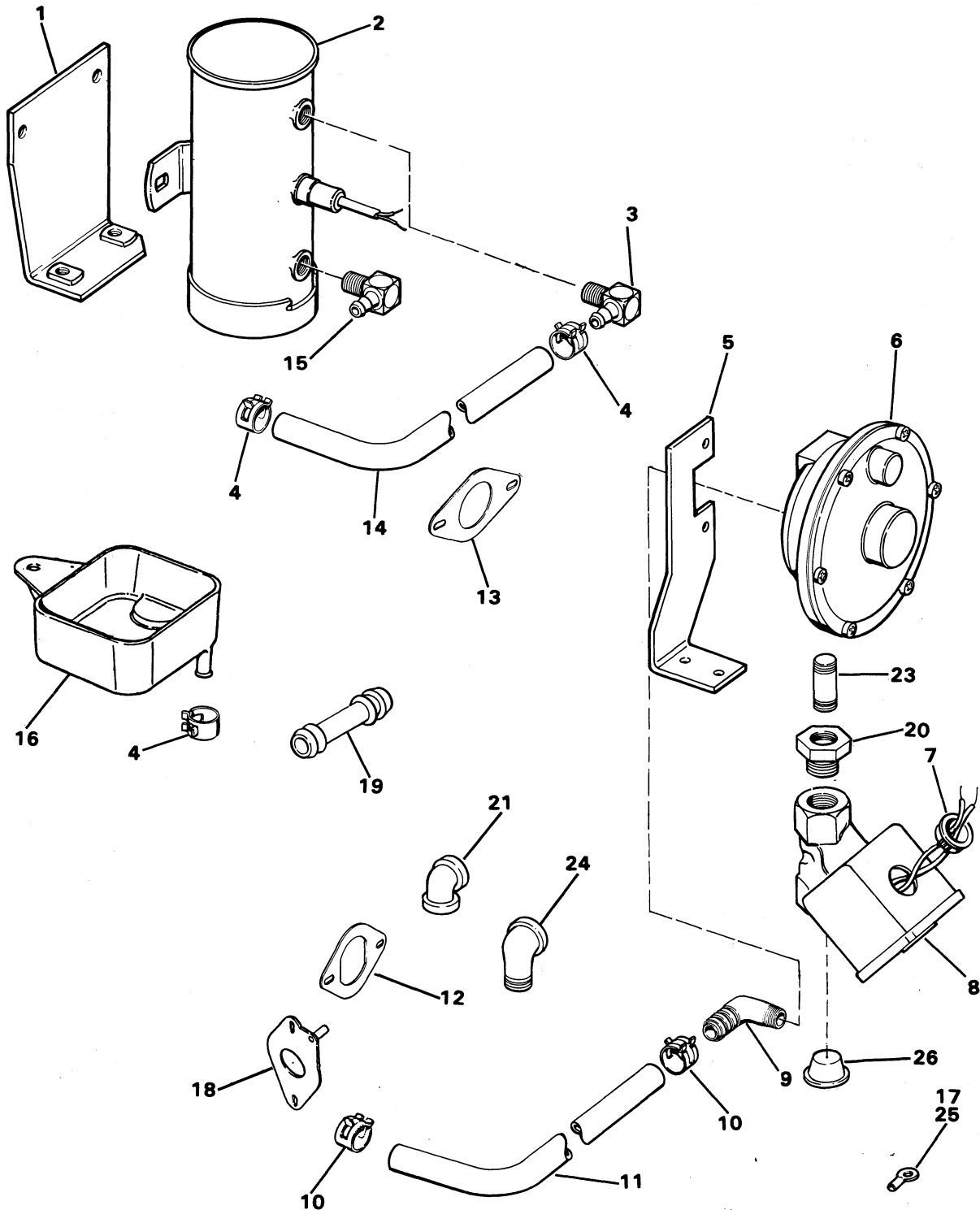
umn. Under group 201 – Generator and Mounting column, locate the variation number assigned to specification 177113. The variation number is 7.

STEP 3: Turn to Part Group 201 – Generator and Mounting. Note the Rotors are identified with Index Number 2 – under this number locate Variation 7. Rotor assembly B-228035 is assigned to this variation.

NOTE: *Some engine parts will be divided by a generator serial number break.*

Series 177

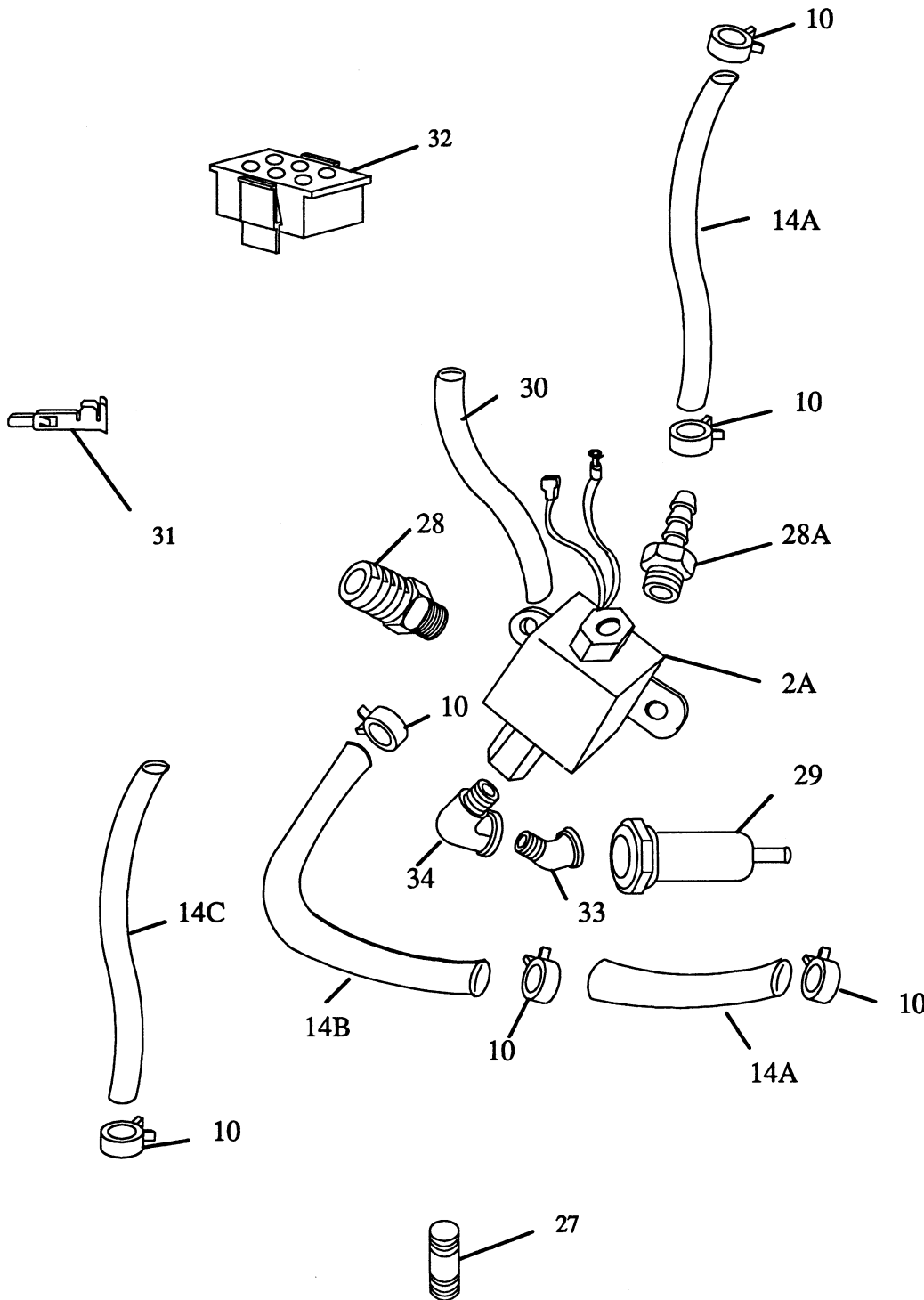
Group 103 Fuel System



Common Hardware, Procure Locally

Series 177

Group 103 Fuel System



Series 177

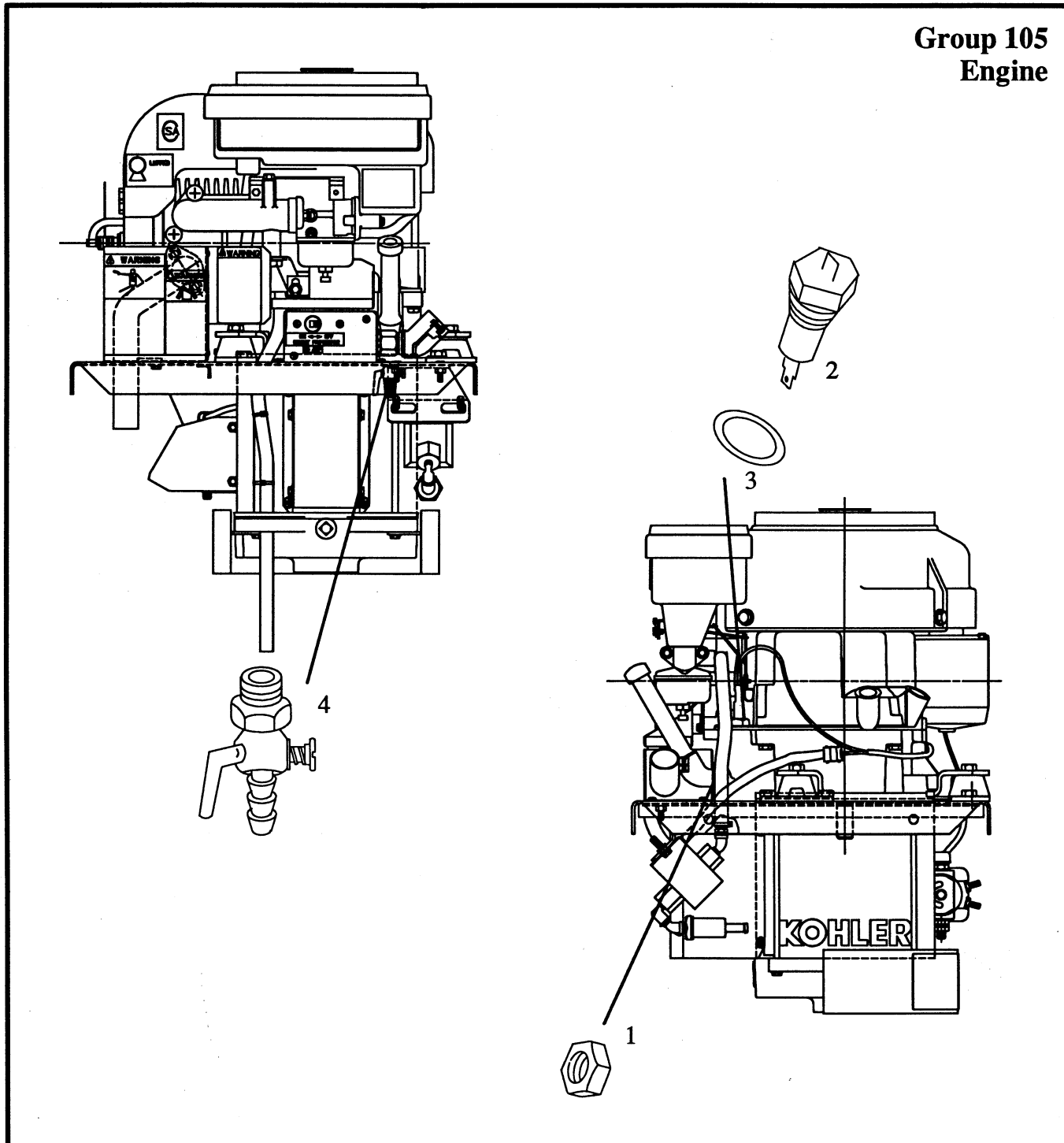
Group 103 Fuel System

Item	Qty.	Description Variation No.	Part No.	Item	Qty.	Description Variation No.	Part No.
1	1	Bracket, fuel pump 2, 4	228068	19	1	Fitting, hose 5, 8	X-652-1
	1	Bracket, fuel pump 6	228268	20	1	Bushing, reducer 3	X-202-30
	1	Bracket, fuel pump 7	228285	21	1	Elbow, street 1/4 5, 8	X-215-5
2	1	Pump, electric fuel 2,4	238953	22	1	Pipe 3	X-220-10
2A	1	Pump, electric fuel 6	239806	23	1	Nipple, pipe 1/4 x 7/8 5, 8	X-220-5
	1	Pump, electric fuel 7	278490	24	1	Elbow, 45° 1/4 5, 8	X-274-3
3	1	Connector, hose 1/8 x 1/4 2, 4, 6	X-391-1	25	1	Terminal 3, 5	X-283-8
4	2	Clamp, hose 1/2 2, 4, 5, 8	X-309-14	26	1	Plug, cap 3/8 3, 5	X-519-5
	4	Clamp, hose 1/2 6	X-309-14		1	Plug, cap 1/4 8	X-519-10
	3	Clamp, hose 1/2 7	X-309-14	27	1	Nipple, Pipe 1/4 x 4 5, 8	X-220-2
5	1	Bracket, regulator 3, 5, 8	228129	28	1	Connector, hose 6	X-380-5
6	1	Regulator, gas 3, 5, 8	239153	28A	1	Connector, hose 1/8 x 1/4 7	X-380-1
7	1	Bushing 3	248896	29	1	Filter, fuel 6	228269
8	1	Valve, gas 3	277857		1	Filter, fuel 7	249433
	1	Valve, gas 5, 8	228265	30	1	Conduit, convoluted 7	X-6003-93
9	1	Connector, hose 3	X-391-16	31	2	Terminal 8	241618
10	2	Clamp, hose 3	X-309-16	32	1	Connector 8	292371
	2	Clamp, hose 5, 8	X-309-17	33	1	Elbow, street 7	X-211-10
11	1	Hose 3	X-6045-4	34	2	Elbow, street 45° 7	X-274-8
	1	Hose 5, 8	X-6045-5	#	2	H.C. Screw 10-24 x 5/8 2, 3, 4, 5, 6, 8	X-177-5
12	1	Gasket 3, 5, 8	228078	#	2	Washer, Lock 1/4 2, 4, 6	X-20-1
13	2	Gasket 3, 5, 8	228079		4	Washer, Lock 1/4 7	X-20-1
14	1	Line, flex fuel 1/4 x 10 2, 4	X-386-68	#	1	Washer, Shakeproof 1/4 4	X-22-12
	1	Line, flex fuel 1/4 x 12 2, 4, 6	X-386-62	#	2	Washer, E.T. #10 2, 3, 4, 5	X-22-22
14A	1	Line, flex fuel 1/4 x 9 6, 7	X-386-14	#	2	Washer, Plain .266 x .500 x .062 2, 4, 6	X-25-63
14B	1	Line, flex fuel 1/4 x 3.50 6	X-386-46	#	2	Screw, H.C. 1/4-20 x 5/8 4	X-465-2
14C	1	Line, flex fuel 1/4 x 18.50 7	X-386-21	#	1	Washer, Lock Shakeproof #10 3, 5	X-22-9
15	1	Connector, hose 2, 4	X-391-17	#	2	Nut, Hex. 10-24 3, 5, 8	X-70-2
16	1	Drip Tray Assembly 2, 4, 6	228157	#	2	Screw, H. C. 1/4-20 x .500 6, 7	X-465-6
	1	Drip Tray Assembly 7	228292	#	2	Nut, Hex 1/4-20 7	X-81-1
17	1	Terminal 4, 5, 6	X-431-38	#	2	Screw, H. C. 1/4-20 x 1/2 2	X-5-13
18	1	Plate, idle 5, 8	228242				

Common Hardware, Procure Locally

Series 177

Group 105 Engine



Item	Qty.	Description Variation No.	Part No.	Item	Qty.	Description Variation No.	Part No.
1	1	Nut, Hex. Jam 2, 3	228266	3	1	Gasket, Oil Sensor 2, 3	228485
2	1	Sensor, Oil 2, 3	228484	4	1	Valve, Drain 3	X-256-6

Common Hardware, Procure Locally

Series 177

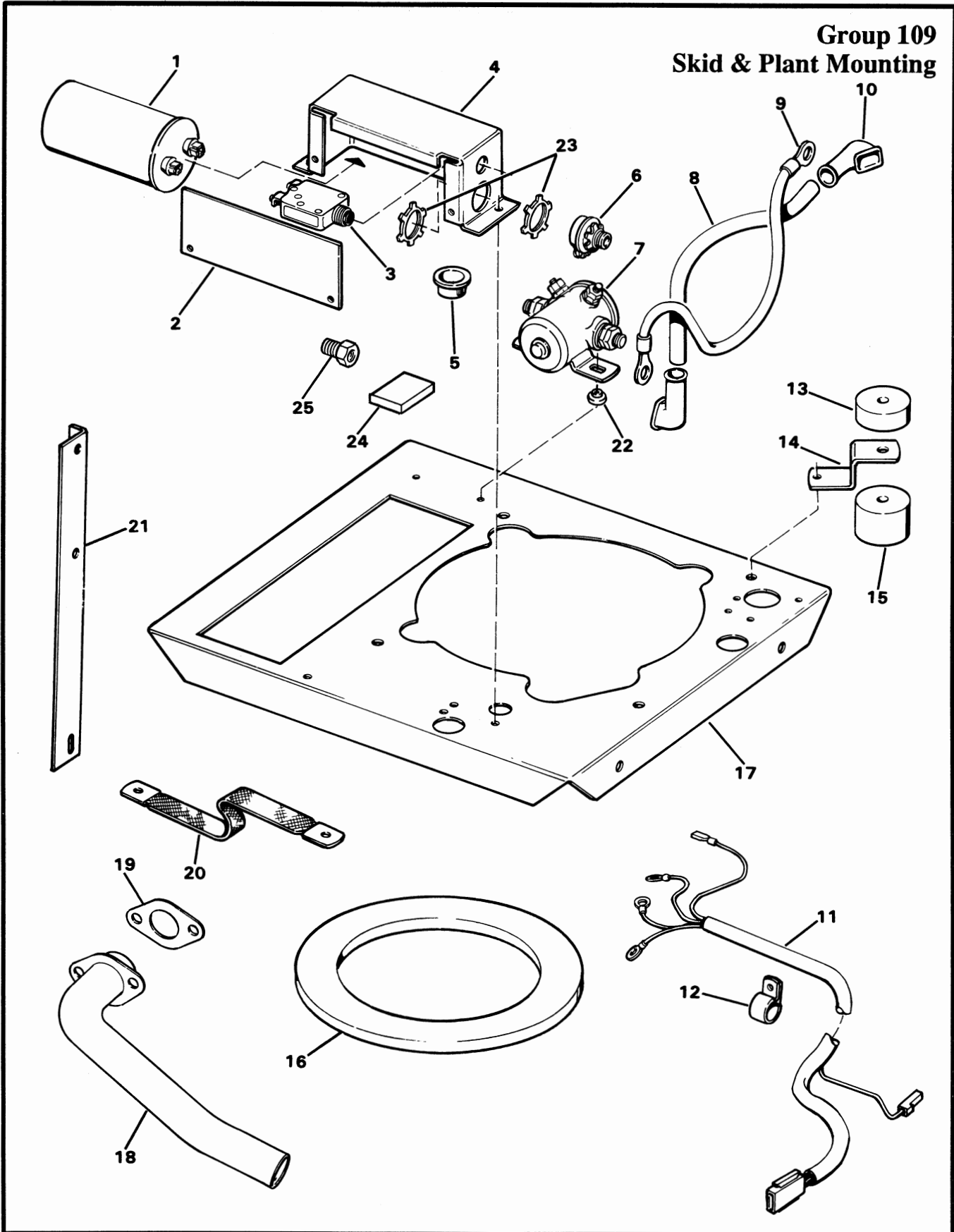
107 Group Nameplates and Decals

Item	Qty.	Description Variation No.	Part No.	Item	Qty.	Description Variation No.	Part No.
1	1	Decal, CSA 3, 5, 7, 9, 14	228069	11	1	Decal, Warning (Carbon Mono.) 5, 7, 8, 13, 14, 15	239796
2	1	Decal, Circuit Protector 3, 4, 5, 7, 8, 9	238578	12	1	Decal, Warning (Reconnected) 7	249806
	1	Decal, Circuit Protector 13, 14, 15	228300	13	1	Decal, Warning (Hot Engine) 5, 8	249809
3	1	Decal, ANSI/RVIA Listed 3, 4, 5, 7, 8, 9, 13, 14, 15	259282	14	1	Decal 1-800 # 13, 14, 15	224233
4	1	Logo, Kohler 5, 7, 8, 13, 14, 15	X-6229-2	15	1	Decal, Warning (Fire Warning) 14, 15	228489
5	1	Nameplate 5, 7, 8, 14, 15	228178	16	1	Decal, Kohler (Black Letters) 3, 4, 9	228202
	1	Nameplate 13	228483	17	1	Decal 9	228454
	1	Nameplate 3, 4, 9	228023	18	1	Decal, RV Installation 3, 4, 9	237998
	1	Nameplate, Kohler (White Letters) 3, 4, 9	241559				
6	1	Decal (25 Amp) 5, 7, 8, 13, 14, 15	228270				
7	1	Tag, Hang 5, 7, 8, 13, 14, 15	239769				
	1	Tag, Hang 3, 4, 9	239014				
8	1	Decal, Warning (Hazardous Volt.) 5, 7, 8	239771				
	1	Decal, Warning (Hazardous Volt.) 13, 14, 15	228486				
9	1	Decal, Warning (Fire or Accident Hazard) 5, 7, 8	239773				
10	1	Decal, Service Schedule 5, 7	239794				
	1	Decal, Service Schedule 8	239795				
	1	Decal, Service Schedule 13, 14	228487				
	1	Decal, Service Schedule 15	228488				
	1	Decal, Service Schedule (gasoline) 3	228072				
	1	Decal, Service Schedule (2 kW, LP) 4	228074				

Common Hardware, Procure Locally

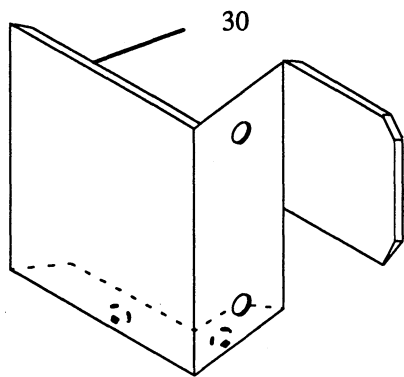
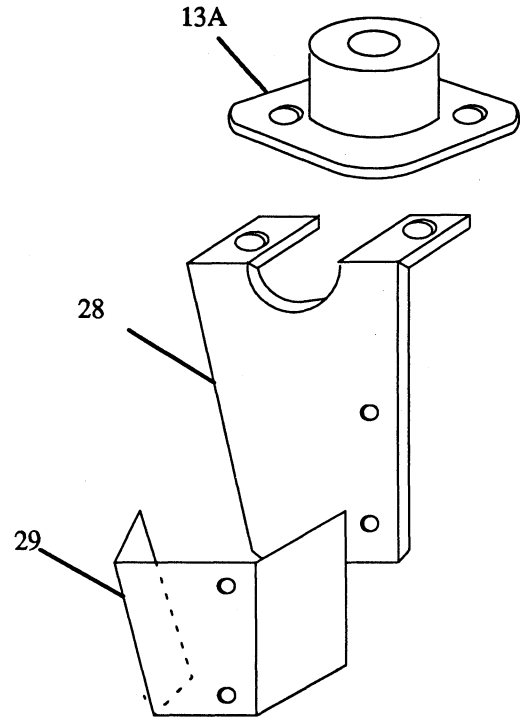
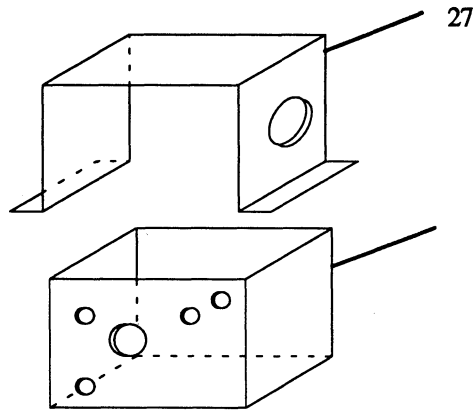
Series 177

Group 109 Skid & Plant Mounting



Series 177

Group 109 Skid & Plant Mounting



Common Hardware, Procure Locally

Series 177

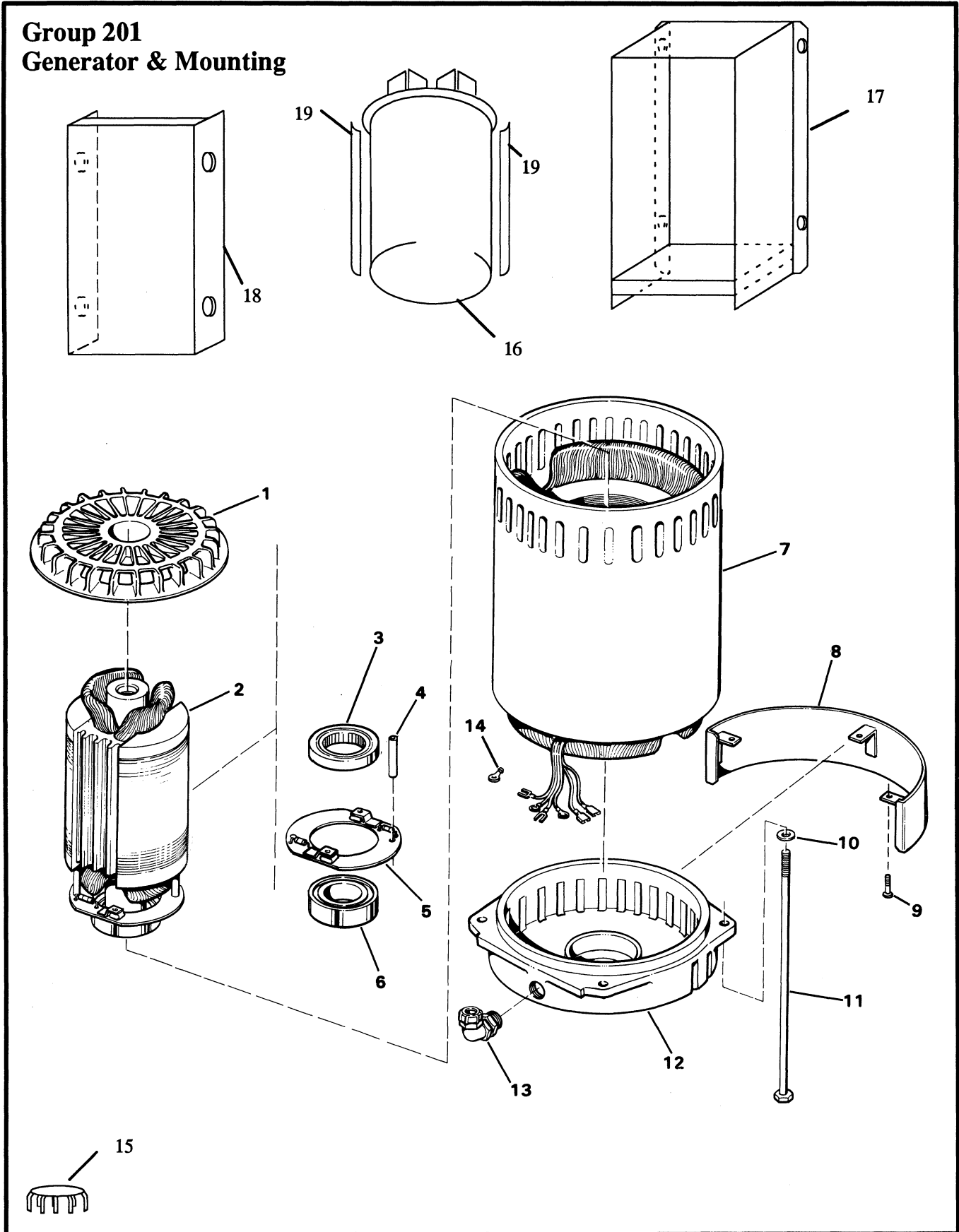
Group 109 Skid & Plant Mounting

Item	Qty.	Description Variation No.	Part No.	Item	Qty.	Description Variation No.	Part No.
1	1	Capacitor 3, 4, 5	228044	27	1	Cover, circuit breaker 6	228291
2	1	Cover, junction box 3, 4, 5	228101	28	1	Bracket, solenoid mounting 6	228293
3	1	Breaker, circuit (20 Amp.) 3	233866	29	1	Heat shield 6	228294
	1	Breaker, circuit (25 Amp.) 4, 5, 6	228204	30	1	Guard, Exhaust 6	228295
4	1	Box, junction 3, 4, 5	228098	#	4	Washer, Lock 1/4 3, 4, 5	X-20-1
5	1	Bushing 3, 4, 5, 6	X-634-12		8	Washer, Lock 1/4 6	X-20-1
6	1	Connector, conduit (45°) 3, 4, 5, 6	X-252-21	#	2	Washer, Lock 5/16 3, 4, 5	X-21-1
7	1	Relay 3, 4, 5, 6	233442		14	Washer, Lock 5/16 6	X-21-1
8	1	Cable, sealtite 3, 4, 5	X-6075-1	#	1	Washer, Shakeproof 1/4 3, 4, 5	X-22-12
9	1	Cable, battery 3, 4, 5, 6	X-545-29		6	Washer, Shakeproof 1/4 6	X-22-12
	1	Cable, battery 3, 4, 5	X-545-33	#	4	Washer, Lock Shakeproof #10 3, 4, 5	X-22-9
10	2	Boot 3, 4, 5, 6	238915	#	4	Screw, H.C. 1/4-20 x .750 4, 5, 6	X-465-16
11	1	Wiring harness 3, 4	228176	#	2	Screw, Hex Socket Hd. Cap 5/16-18 3, 4, 5, 6	X-55-6
	1	Wiring harness 5	228267	#	3	Screw, Hex. Slotted Head 8-32 3, 4, 5	X-67-43
	1	Wiring harness 6	228481	#	3	Screw, Self Tapping #10-32 3, 4, 5	X-67-64
12	1	Clamp 3, 4, 5, 6	X-672-10	#	2	Washer, Lock 5/16 3	X-22-16
13	4	Mount, vibro 1/2" 3, 4, 5	238530	#	8	Screw, H.C. 5/16-18 x .625 6	X-125-23
13A	4	Damper, vibro 6	239673	#	4	Screw, H.C. 5/16-18 x 1 6	X-125-5
14	4	Bracket, mounting 3, 4, 5, 6	228179	#	2	Washer, Lock #6 6	X-18-1
15	4	Mount, vibro 1" 3, 4, 5	238566	#	2	Washer, Lock #8 6	X-18-2
16	1	Seal, foam 3, 4, 5, 6	228026	#	1	Washer, Plain 1/2 x 7/32 x 18 6	X-25-36
17	1	Tray, mounting 3, 4, 5	228099	#	4	Washer, Plain 1-1/4 x 13/32 x 1/8 6	X-25-38
	1	Tray, mounting 6	228281	#	2	Washer, Plain .266 x .562 x .062 6	X-25-72
18	1	Tube, exhaust 3	228058	#	4	Washer, Plain 11/32 x 3/4 x 16 6	X-25-85
	1	Tube, exhaust 4, 5, 6	228206	#	2	Screw, H.C. 1/4-20 x 5/8 6	X-465-2
19	1	Gasket 3, 4, 5, 6	228025	#	2	Screw, H.C. 1/4-20 x .500 6	X-465-6
20	1	Strap, ground 3, 4, 5, 6	X-6046-1	#	2	Screw, R.H.M. 6-32 x 1/4 6	X-49-25
21	1	Bracket, muffler 3, 4, 5, 6	228057	#	2	Screw, R.H.M. 8-32 x 5/16 6	X-51-14
22	2	Washer, shoulder 3, 4, 5	238164	#	4	Screw, Phil. Hex. Crimptite 6	X-6216-1
23	2	Nut, conduit lock 3, 4, 5, 6	X-6038-1	#	1	Screw, Drill 6	X-794-2
24	1	Insulator 4, 5	228093	#	3	Nut, Hex 1/4-20 6	X-81-1
25	1	Conduit, extension 4, 5, 6	228012	#	6	Nut, Hex. 5/16-18 6	X-82-2
26	1	Circuit breaker box 6	228290				

Common Hardware, Procure Locally

Series 177

Group 201 Generator & Mounting



Common Hardware, Procure Locally

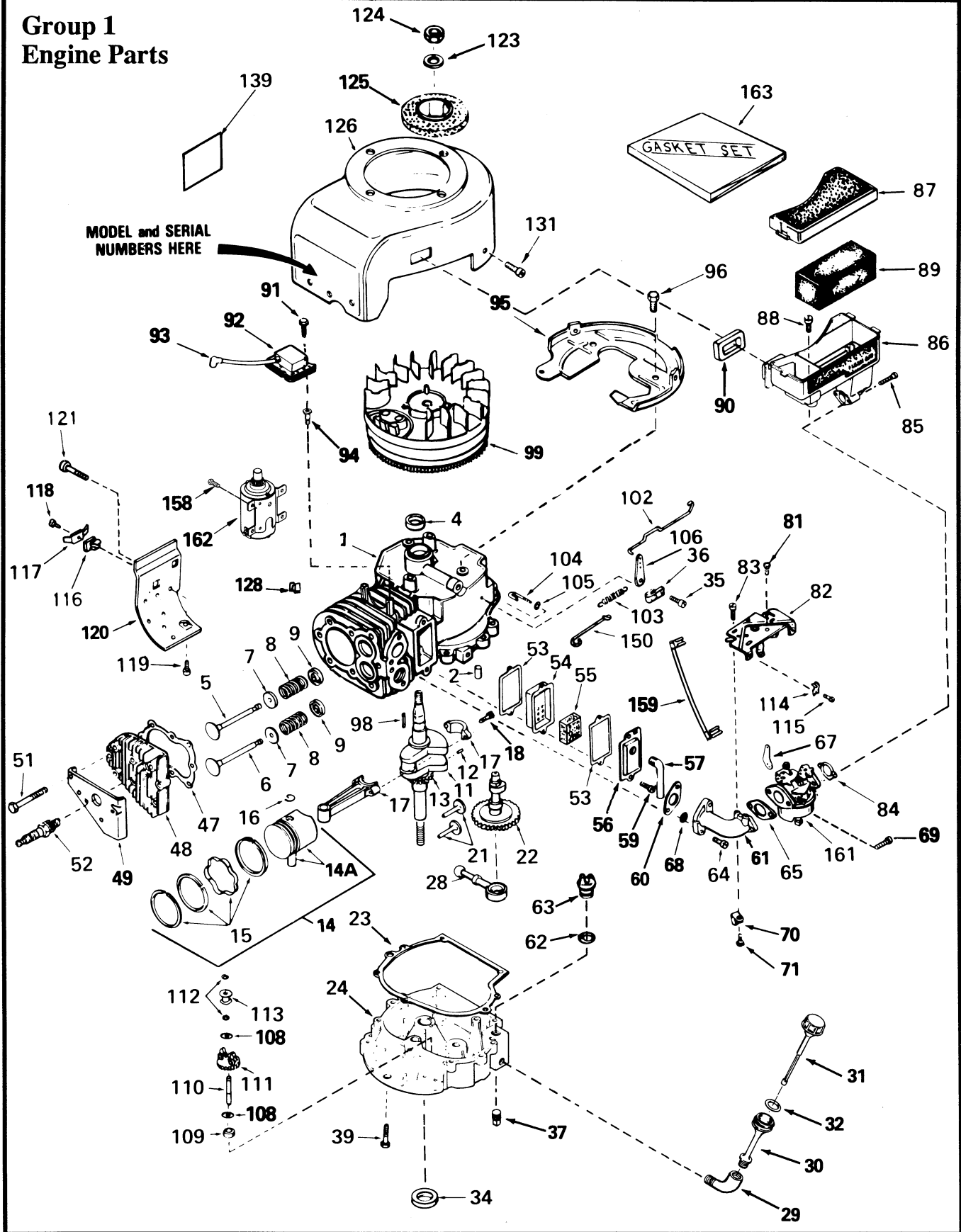
Series 177

Group 201 Generator & Mounting

Item	Qty.	Description Variation No.	Part No.	Item	Qty.	Description Variation No.	Part No.
1	1	Fan, generator 3, 4, 5, 6, 7	228008	13	1	Connector, conduit 3, 4, 5	X-6027-2
2	1	Rotor Assembly (Includes items # 4, 5, 6, and 9) 3, 4, 5, 6, 7	B-228035	14	2	Terminal 3, 4	X-431-25
3	1	Ring, tolerance 3, 4, 5, 6, 7	238211		1	Terminal 6	X-431-34
4	2	Spacer 3, 4, 5, 6, 7	X-400-135		2	Terminal 7	X-431-34
5	1	Circuit board assembly 3, 4, 5, 6, 7	B-228037		1	Terminal 6, 7	X-431-37
6	1	Bearing, ball 3, 4, 5, 6, 7	X-758-1	15	1	Button plug 6, 7	X-301-24
7	1	Stator assembly 3, 4	228034	16	1	Capacitor 6, 7	228044
	1	Stator assembly 5	228272	17	1	Box, junction 6, 7	228282
	1	Stator assembly 6	228482	18	1	Cover, junction box 6, 7	228283
	1	Stator assembly 7	228280	19	2	Insulator 6, 7	228299
8	1	Guard, splash 3, 4, 5, 6, 7	228065	#	3	Screw, Self Tapping #10-32 3, 4, 5, 6, 7	X-67-64
9	2	Screw, thread form 3, 4, 5, 6, 7	X-6071-2	#	2	Washer, Lock Shakeproof #10 7	X-22-9
10	4	Washer, hardened 3, 4, 5, 6, 7	X-801-2		6	Washer, Lock Shakeproof #10 6	X-22-9
11	4	Bolt, over 3, 4, 5, 6, 7	238911	#	8	Screw, Phil. Hex. Crimptite 6, 7	X-6216-1
12	1	Adapter, generator 3, 4, 5, 6, 7	228036	#	2	Screw, Thread Forming 6, 7	X-67-80

Series 177

Group 1 Engine Parts



Common Hardware, Procure Locally

Series 177

Group 1 Engine Parts

Item	Description	Part No.	Item	Description	Part No.
	Engine Assembly (Older Version)	A-228177	31*	Dipstick, oil (incl. #32) (Engine A-228177)	228467
	Engine Assembly (Newer Version)	C-228177	**	Dipstick, oil (incl #32) (Engine C-228177)	228465
1	Cylinder Assembly (includes #2 and #4)	228301	32	O-Ring	#
2	Pin, dowel	228302	34	Seal, oil	228331
4	Seal, oil	228303	35	Screw, hex washer hd 8-32 x 5/16	#
5	Valve, intake (std.) (incl. #9)	228304	36	Clamp, governor lever	228332
	Valve intake (1/32" O.S.) (incl. #9)	228305	37	Plug, oil drain	228333 (serial No. 164665 and below)
6	Valve, exhaust (std.) (incl. #9)	228306		Plug, oil drain	228442 (above serial No. 164665)
	Valve, exhaust (1/32" O.S.) (incl. #9)	228307		Gasket, drain plug	228334 (serial No. 164665 and below)
7	Cap, upper valve spring	228308	38		
8	Spring, valve	228309	39	Screw, hex washer hd 1/4-20 x 1-3/16	228433
9	Cap, lower valve spring	228310	47	Gasket, cylinder head	228432
11	Crankshaft Assembly (includes #12 and #13)	228311 (serial No. 159482 and below)	48	Head, cylinder (incl. 3 of #51)	228335
	Crankshaft Assembly (includes #12 and #13)	228427 (above serial No. 159482)	49	Cover, cylinder head	228336
12	Pin, crankshaft gear	228312	51	Screw, hex flange hd 5/16-18 x 2-1/2	#
13	Gear, crankshaft	228313	52	Resistor spark plug	Champion® RJ8 or RJ17LM
14	Piston Assembly (std.) (incl. #14A, #15, #16)	228314	53	Gasket, breather	#
	Piston Assembly (.010 O.S.) (incl. #14A, #15, #16)	228315	54	Body, breather	228338
	Piston Assembly (.020 O.S.) (incl. #14A, #15, #16)	228316	55	Element, breather	228339
14A	Piston & Pin Assembly (std.) (incl. #16)	228317	56	Cover, breather	228340
	Piston & Pin Assembly (.010 O.S.) (incl. #16)	228318	57	Tube, breather	228341
	Piston & Pin Assembly (.020 O.S.) (incl. #16)	228319	59	Screw, fill. hd sems 10-24 x 1/2	#
15	Piston ring set (std.)	228320	60	Gasket, intake pipe	#
	Piston ring set (.010 O.S.)	228321	61	Pipe, intake	228342
	Piston ring set (.020 O.S.)	228322	62	Gasket, oil drain/dipstick	#
16	Ring, piston pin retaining	228323	63	Plug, oil (incl. #62)	228443 (above serial No. 164665)
17	Connecting Rod Assembly (incl. #18)	228324	63A	Dipstick (incl. #62)	228343 (serial No. 164665 and below)
18	Bolt, connecting rod	228325	64	Screw, fill. hd. sems 5/16-18 x 1-1/8	#
21	Lifter, valve	228326	65	Gasket, carburetor	#
22	Camshaft	228327	67	Lever, speed adjusting	228344
23	Gasket, mounting flange	#	68	Screen, intake pipe	228345
24	Mtg. Flange Assy. (incl. #25, #27, #34, #37, #110)	228328	69	Screw, hex hd 1/4-20 x 13/16	#
25	Screen, oil filter	228329	70	Bracket, intake pipe	228346
28	Oil Pump Assembly	228330	71	Screw, hex washer 1/4-20 x 5/8	#
29	Elbow, oil fill	228171 (serial No. 164665 and above)	81	Screw, hex washer 8-32 x 5/16	#
30*	Tube, oil fill (Engine A-228177)	228467	82	Speed Control Assembly	228347
**	Tube, oil fill (Engine C-228177)	228466			

* Older models require purchase of an oil fill tube kit #228467

** Newer models - oil fill tube & dipstick may be purchased separately.

(Gasket set includes nos. 23, 47, 53, 60, 62, 65, 84, 90)

Series 177

Group 1 Engine Parts

Item	Description	Part No.	Item	Description	Part No.
83	Screw, hex washer hd sems 10-24 x 9/16	#	115	Screw, hex washer hd. sems 10-32 x 3/8	#
84	Gasket, air cleaner	#	116	Grommet	228366
85	Screw, fil. hd. sems 10-32 x 1-17/32	228434	117	Terminal, ground	228367
86	Body, air cleaner	228348	118	Screw, pan hd self-tap 8-18 x 3/8	#
87	Cover, air cleaner	228349	119	Screw, fil. hd. sems 10-24 x 1/2	#
88	Screw, hex hd 10-24 x 11/16	#	120	Extension, blower housing	228368
89	Element, air cleaner	228350	121	Screw, hex hd sems 1/4-20 x 1/2	#
90	Gasket, blower housing	#	123	Washer	228369
91	Screw, hex hd 10-24 x 1	228444	124	Nut, hex 1/2-20	228431
92	Solid State Assembly	228435	125	Hub and Screen Assembly	228370
93	Cover, spark plug	228337	126	Housing, blower	228371
94	Stud, lamination mtg.	228445	128	Clip, wire	228446 (above serial No. 159482)
95	Baffle, blower housing	228351	131	Screw, hex hd sems 5/16-24 x 3/4	#
96	Screw, hex washer hd 1/4-20 x 5/8	#	139	Decal, instruction	228428
98	Key, flywheel	228352	150	Link, governor spring	228373
99	Flywheel	228430	158	Screw, hex hd. sems 1/4-20 x 1/2	#
100	Gasket, stator	228353 (serial No 159482 and below)	159	Lead, ground	228374 (serial No. 159482 and below)
102	Link, governor to throttle	228354		Lead, ground	228429 (above serial No. 159482)
103	Spring, extension	228355	161	Carburetor (incl. #65)	A-228226 (LP Gas)
104	Rod, governor	228356		Carburetor (incl. #65)	A-228225 (Gasoline)
105	Washer, flat	228357	162	Starter	228376
106	Lever, governor	228358	163	Gasket set	228377
108	Washer, flat	228359			
109	Governor Spacer Assembly (incl. #108)	228360			
110	Shaft, governor	228361			
111	Governor Gear Assembly (incl. #108)	228362			
112	Ring, retaining	228363			
113	Spool, governor	228364			
114	Clip, conduit	228365			

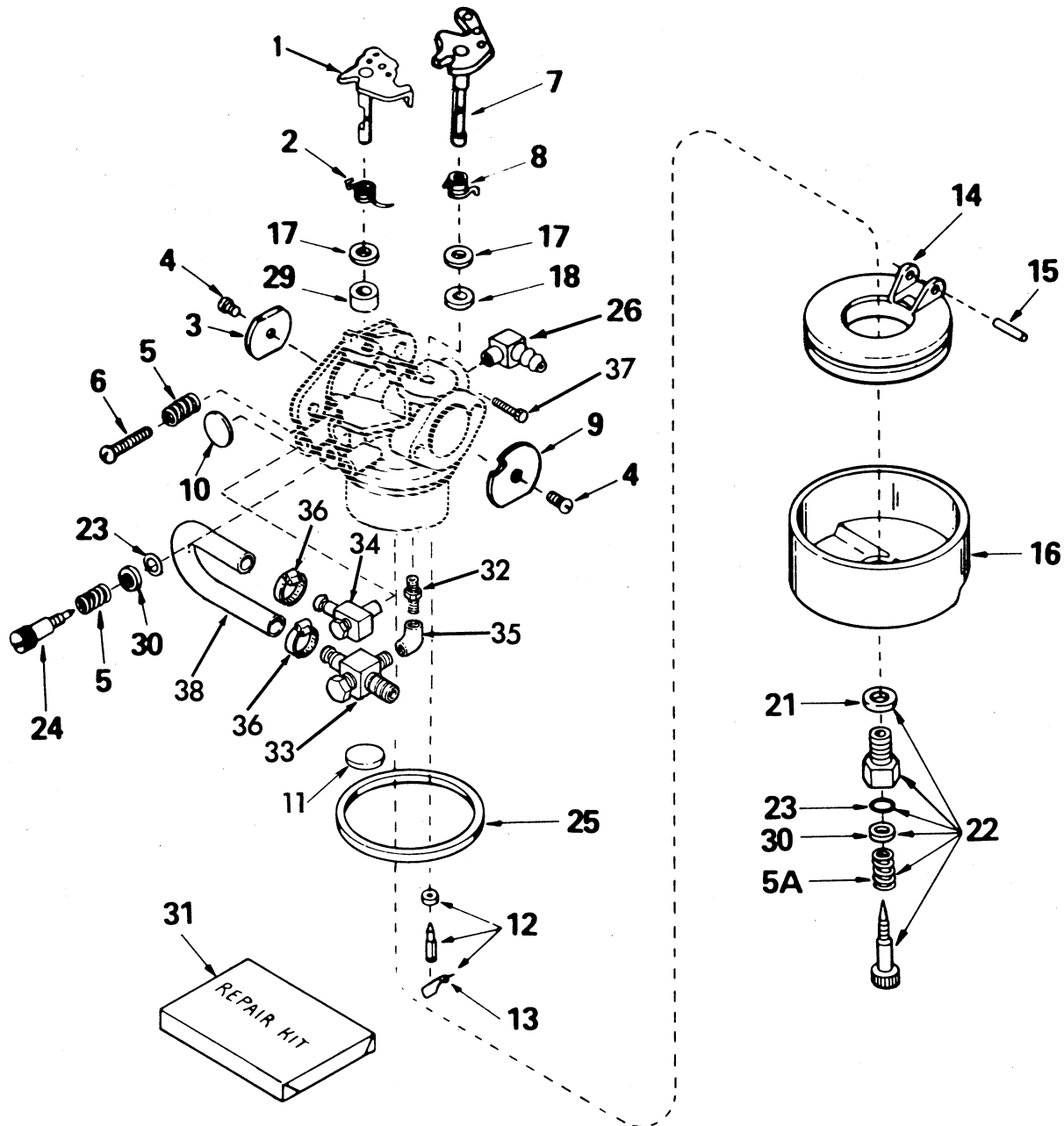
(Gasket set includes nos. 23, 47, 53, 60, 62, 65, 84, 90)

Common Hardware, Procure Locally

Notes

Series 177

Group 2 Engine Parts



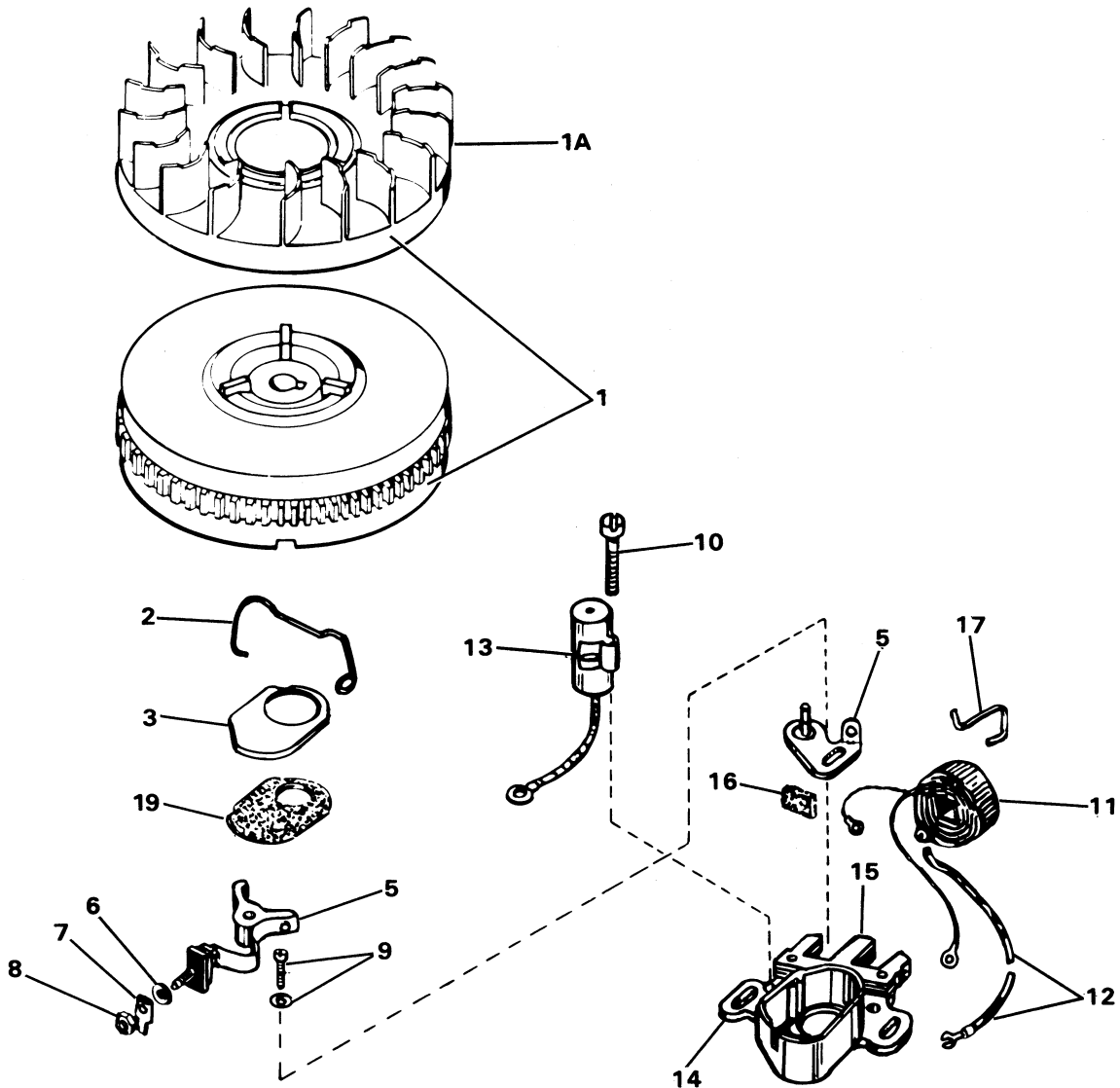
Series 177

Group 2 Engine Parts

Item	Description	Part No.	Item	Description	Part No.
1	Throttle Shaft & Lever Assy.	228378 (serial No. 164665 and below)	13	Clip, inlet needle	#
	Throttle Shaft & Lever Assy.	228447 (above serial No. 164665)	14	Float, carburetor	228387
2	Spring, throttle return	228379 (serial No. 164665 and below)	15	Shaft, float	#
	Spring, throttle return	228448 (above serial No. 164665)	16	Bowl, float	228388
3	Shutter, throttle	228380 (serial No. 164665 and below)	17	Washer, flat	228389
	Shutter, throttle	228449 (above serial No. 164665)	18	Washer, flat	228390
4	Screw, throttle and choke shutter	228381	21	Gasket, bowl to body	#
5	Spring, idle regulating screw	228382	22	Main Adjustment & Screw Assy. (incl. #5A, 21, 23 and 30)	#
5A	Spring, main adjusting screw	#	23	O-Ring, adjustment screw	#
6	Screw, idle regulating	228383	24	Screw, idle adjustment	#
7	Choke Shaft & Lever Assy.	228384 (serial No. 164665 and below)	25	Gasket, bowl to body	#
	Choke Shaft & Lever Assy.	228450 (above serial No. 164665)	26	Elbow, fuel fitting	228391
8	Spring choke return	228385 (serial, No. 164665 and below)	29	Seal, dust	228392
	Spring choke return	228451 (above serial No. 164665)	30	Washer, flat	#
9	Shutter, choke	228386 (serial No. 164665 and below)	31	Kit, repair	228393 (serial No. 164665 and below)
	Shutter, choke	228452 (above serial No. 164665)	31	Kit, repair	228453 (above serial No. 164665)
10	Plug, welch	#	32	Tube, fuel	228436 (LP Gas only)
11	Plug, welch	#	33	Block, load	228437 (LP Gas only)
12	Inlet Needle, Seat & Clip Assembly (incl. #13)	#	34	Fitting, idle	228438 (LP Gas only)
			35	Elbow	228439 (LP Gas only)
			36	Clamp, wire hose	* (LP Gas only)
			37	Screw 8-32 x 3/8	* (LP Gas only)
			38	Hose, vapor 1/4" I.D.	* (LP Gas only)

Series 177

Group 3 Engine Parts

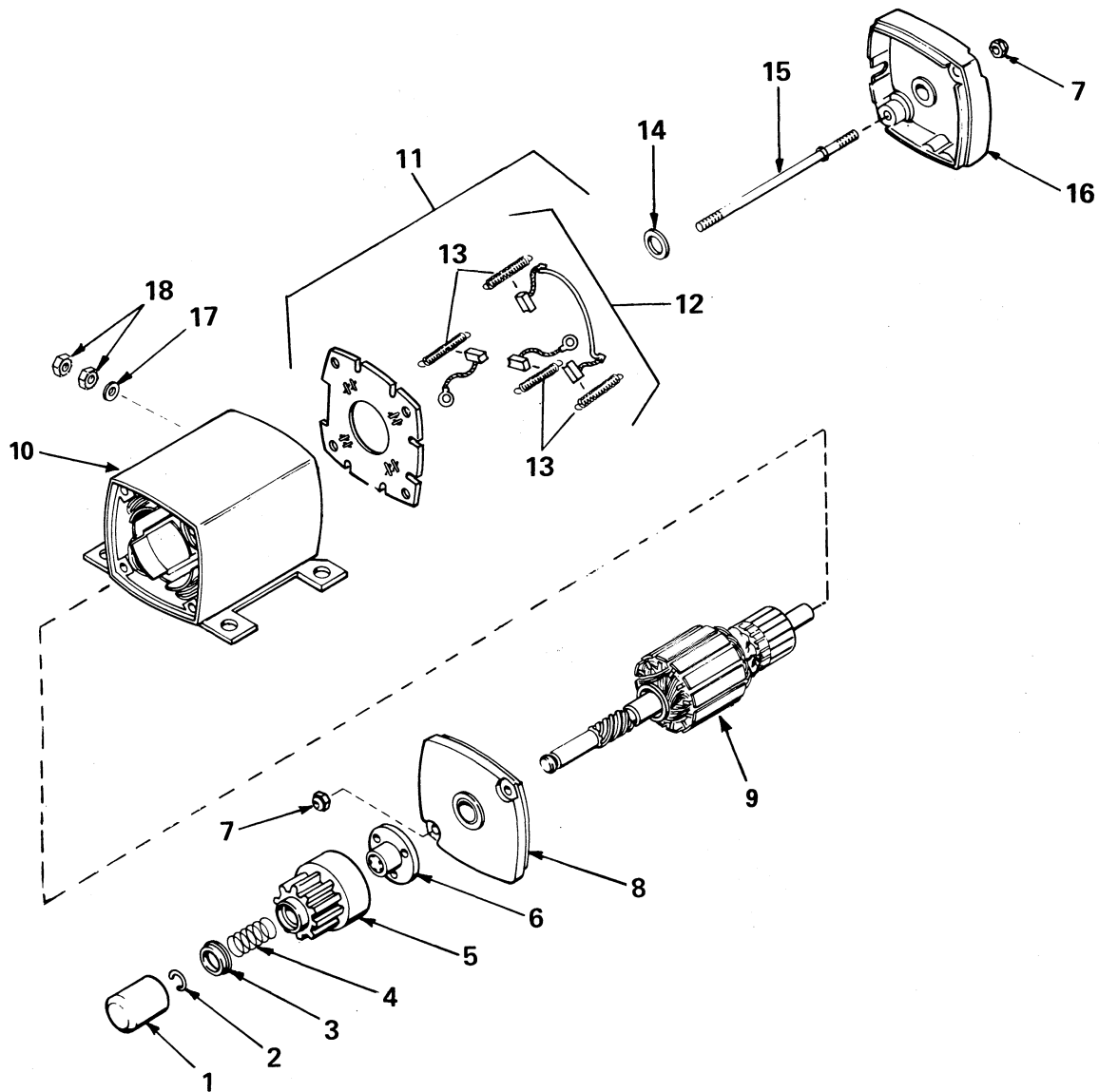


Item	Description	Part No.	Item	Description	Part No.
Serial Number 159482 and Below					
1	Flywheel	228394	11	Coil Assembly (incl. #12)	228404
1A	Fan, blower	228395	12	Lead	228405
2	Spring, cover	228396	13	Condenser	228406
3	Cover, dust	228397	14	Core and Plate	228407
5	Breaker Contact Assembly	228398	15	Stator Assembly (incl. #2-11, 13,14, 16,17, 18)	228408
6	Washer	228399	16	Felt, cam wiper	228409
7	Tab, ground terminal	228400	17	Clip, coil locking	228410
8	Nut, terminal	228401	19	Gasket, dust cover	228411
9	Screw, breaker	228402			
10	Screw, condenser	228403			

Common Hardware, Procure Locally

Series 177

Group 4 Engine Parts

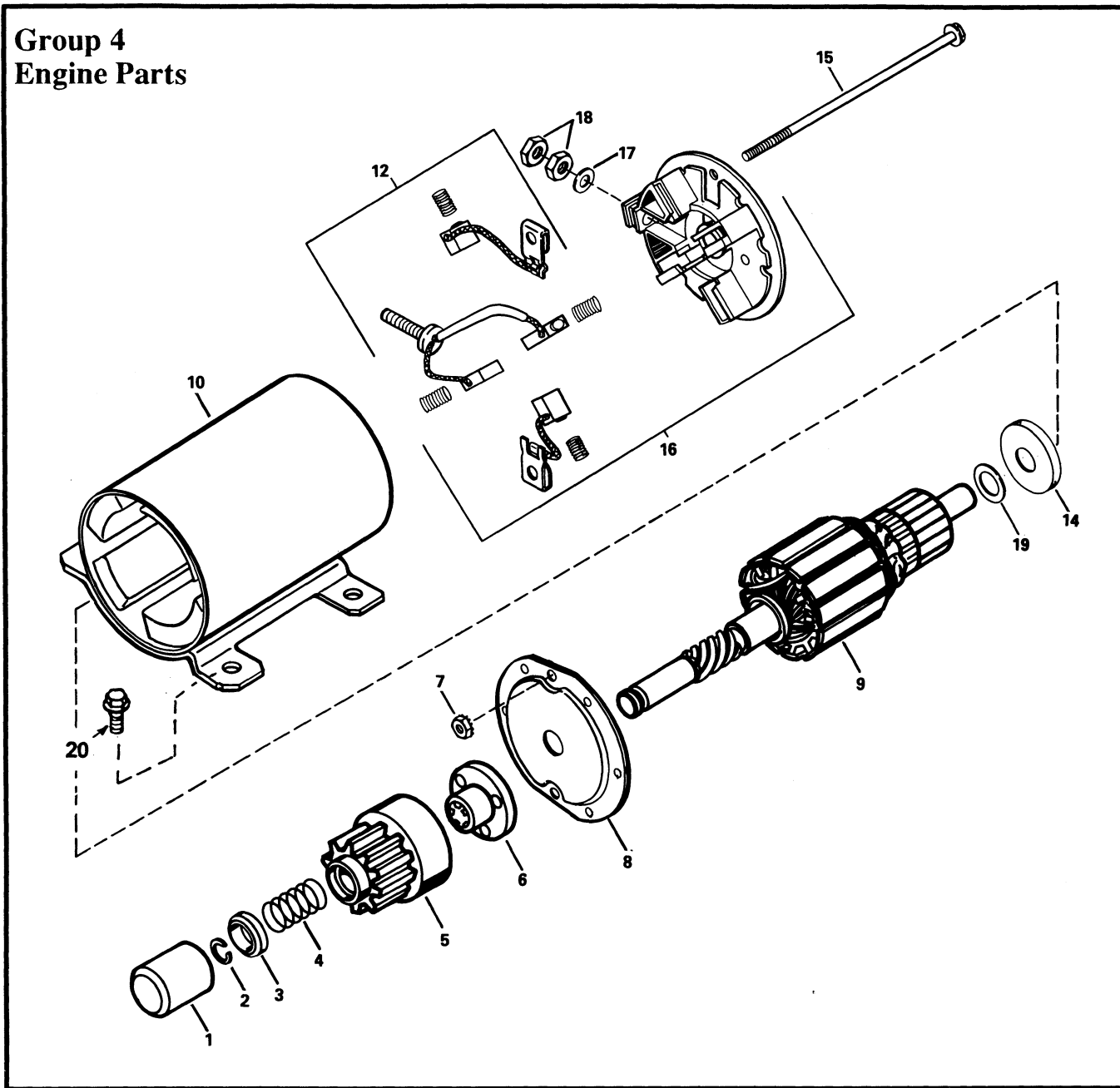


Item	Qty.	Description	Part No.	Item	Qty.	Description	Part No.
Older Version For Engine A-228177				10	1	Housing	228420
1	1	Cover, dust	228412	11	1	Brush Assembly	228421
2	1	Ring, retainer	228413	12	1	Brush & Spring Assembly	228422
3	1	Retainer, spring	228414	13	1	Spring, brush	228423
4	1	Spring, anti-drift	228415	14	1	Washer, thrust	228424
5	1	Gear	228416	15	2	Bolt, 10-32 x 4-1/4	#
6	1	Nut, engaging	228417	16	1	Commutator End Cap Assy.	228425
7	2	Nut, lock 10-32	#	17	1	Washer	228426
8	1	Drive End Cap Assembly	228418	18	2	Nut, hex 1/4-20	#
9	1	Armature	228419				

Common Hardware, Procure Locally

Series 177

Group 4 Engine Parts



Item	Qty.	Description	Part No.	Item	Qty.	Description	Part No.
Newer Version For Engine C-228177							
-	1	Complete Starter	228376	10	1	Housing	228628
1	1	Cover, dust	228412	12	1	Brush & Spring Kit	228629
2	1	Ring, retainer	228413	14	1	Washer, Thrust	228630
3	1	Retainer, spring	228414	15	2	Bolt, 10-32 x 4-11/64	#
4	1	Spring, anti-drift	228415	16	1	Cap & Brush Card Assy., Commutator end (Incl. Nos. 12, 14, 17, & 18)	228631
5	1	Gear	228416	17	1	Washer, Flat	228426
6	1	Nut & Retainer (Incl. No. 2)	228497	18	2	Nut, Hex, 1/4-20	#
7	2	Nut, Lock, 10-32	#	19	1	Washer, Thrust	228424
8	1	Cap Assy., Drive end	228498				
9	1	Armature	228499				

Series 177

701 Group Literature

Item	Qty.	Description Variation No.	Part No.	Item	Qty.	Description Variation No.	Part No.
1	1	Parts Catalog 2, 3	TP-5143	4	1	Eng. Service Manual 2, 3	TP-5212
2	1	Operation and Installation Manual 2	TP-5145	5	1	Safety Guide 2	TP-5251
	1	Operation and Installation Manual 3	TP-5418				
3	1	Service Manual 2	TP-5148				
	1	Service Manual 3	TP-5403				

Series 177

Accessories

Muffler Kit – Street Side PA-228059

Description	Part No.	Description	Part No.
Muffler Strap, muffler mounting	228054 228056	Clamp, muffler	228081

Muffler Kit – Curb Side PA-228060

Description	Part No.	Description	Part No.
Muffler Strap, muffler mounting	228055 228056	Clamp, muffler	228081

Muffler Kit – Curb Side PA-228159

Description	Part No.	Description	Part No.
Clamp-U Strap, muffler mounting	X-722-7 228056	Muffler, spark arrestor	228158

Muffler Kit – Street Side (Winnebago) PA-228258

Description	Part No.	Description	Part No.
Clamp-U Strap, muffler mounting	X-722-7 228056	Muffler, spark arrestor	228256

Muffler Kit – Street Side (Winnebago) PA-228174

Description	Part No.	Description	Part No.
Clamp-U Strap, muffler mounting	X-722-7 228056	Muffler, spark arrestor	228173

Common Hardware, Procure Locally

Series 177

Accessories

Gas Conversion Kit – PA-228064

Description	Part No.	Description	Part No.
Connector, hose	X-391-16	Elbow, street 1/4	X-215-5
Clamp, hose (2)	X-426-9	Pipe	X-220-10
Hose	X-6045-3	Nipple, pipe 1/4 x 7/8	X-220-5
Bracket, regulator	228129	Elbow, 45° 1/4	X-274-3
Gasket	228078	Terminal	X-283-8
Gasket	228079	Clamp, hose 1/2	X-309-14
Regulator, gas	239153	Clamp, hose	X-309-17
Bushing	248896	Terminal	X-431-29
Valve, gas	277857	Terminal	X-431-38
Pipe	228077	Hose	X-6045-5
LP carburetor	A-228226	Fitting, hose	X-652-1
Bushing, reducer	X-202-30	Plate, idle	228242

Control Panel Assembly – A-228234

Description	Part No.	Description	Part No.
Circuit board assembly	A-228232	Lamp	228142
Terminal	X-283-7	Harness, wiring	228241
Cable, choke	228127	Holder, fuse	238426
Panel, silk screen	228132	Fuse, 5 Amp.	239298
Switch, rocker	228141		

Circuit Panel Assembly – A-228474

Description	Part No.	Description	Part No.
P.C.B. assembly	A-228275	Cable, choke	228475
Terminal	X-283-7	Lamp (red)	228476
Insulink	X-367-4	Panel, silkscreened	228477
Rocker, switch	228141	Holder, fuse	238426
Lamp	228142	Meter, hour	238736
Wiring harness	228289	Fuse, 5 Amp.	239298

TP-5143 8/91
PRINTED IN U.S.A.

KOHLER®
POWER SYSTEMS

KOHLER CO. KOHLER, WISCONSIN 53044