

# Parts Catalog

## RV Generators



### Models:

9CCO-RV  
12.5CCO-RV  
14.5CCO-RV

**KOHLER**<sup>®</sup>  
POWER SYSTEMS



# Introduction

This manual contains a complete listing of service replacement parts for Kohler 9CCO–RV, 12.5CCO–RV and 14.5CCO–RV generator sets with specification series code 1350. These use the Yanmar 3TN–82E and 4TN–82E engines. The manual includes the following main sections in the sequence listed.

1. *Specification Number Index*: Listing of generator

set spec. numbers arranged in numerical sequence on each page. Group variation numbers are listed in the horizontal line to the right of each spec. number.

2. *Group Parts List*: Indicates specific parts for each specification. Illustrations of parts are shown for some of the various parts. Illustrations are keyed to the part numbers found in the parts group listings.

## Number Significance

There are various numbers which must be used in the determining how to identify a part number. The significance of each of these numbers is explained as follows:

**SPECIFICATION NUMBER:** The generator set specification number, which is found on the nameplate attached to the frame of the generator, indicates model variation or the combination of groups used to build that particular generator set. The spec. number is, in effect, a coded number. The first three digits, which are the code designation for generator set size and engine model, remain constant in this series while the remaining digits in the spec. number are issued in numerical sequence. When the sequential number reaches 99, the next number will be 100 for example: 135099 is followed by 135100 – note that the spec

number goes from a 6 digit to a 7 digit number in this example.

**GROUP NUMBER:** The group consists of related parts needed to provide one or more related functions.

**GROUP VARIATION NUMBER:** There may be various groupings of parts designed to provide the same function, however, with minor differences. Each of these differences necessitates the assignment of a group variation number. Example, dry air cleaner or oil bath air cleaner – both perform the same function, however, use different parts.

**PART NUMBER:** The part number is the number by which an individual piece of a generator set is identified and ordered.

## How To Find Part Numbers

Following is a step–by–step procedure to be used in identifying and ordering a specific part.

*Item to be ordered:* ROTOR ASSEMBLY

**STEP 1:** Record the *Generator Set* specification number from the nameplate on the generator frame. (Sample: 135010)

**STEP 2:** In the Specification Number Index, find specification 135010 in the left–hand vertical column.

Under Group 201 – Generator and Mounting column, locate the variation number assigned to specification 1135010. The variation number is 1.

**STEP 3:** Turn to Part Group 201 – Generator and Mounting. Note the Rotors are identified with Item Number 1 – under this number locate Variation 1. Rotor assembly A–258569 is assigned to this variation.

### Note

Some items are not available separately ( indicated by “X”). To obtain these components, order the assembly that includes the indicated part. Standard hardware (indicated by “#”) is not available— see the description and obtain locally. Individual wiring leads do not appear in this catalog. Most leads are available by ordering the appropriate wiring harness. Otherwise, replacement will require making leads, using the same type of stranded copper wire (gauge, color, length), terminals, and lead label, at each end. Replacement nameplates (model, spec, serial numbers, etc.) are not available.

### Note

Generator sets manufactured prior to serial number 203029 used Yanmar indirect–injection engines. Those generator sets produced after serial number 203028 are equipped with Yanmar direct–injection engines. Separate illustrations and parts lists are shown for those groups affected by this change. The direct–injected engine can be distinguished by the absence of glow plugs.

# Table Of Contents

Group 1: Cylinder Block .....	2	Group 32: Fuel Injection Valve .....	37
Group 2: Gear Housing .....	3	Group 33: Fuel Strainer .....	39
Group 3: Flywheel Housing .....	5	Group 34: Fuel Injection Lines .....	41
Group 4: Lube Oil Sump .....	5	Group 35: Fuel Lines .....	43
Group 5: Oil Seal Housing .....	6	Group 35: Fuel Lines .....	44
Group 6: Main Bearings .....	6	Group 36: Fuel Return Lines .....	45
Group 7: Camshaft Bearing .....	7	Group 37: Governor .....	48
Group 10: Engine Lifter .....	7	Group 39: Tension Pulley .....	51
Group 11: Cylinder Head .....	10	Group 40: Glow Plugs .....	52
Group 12: Breather & Bonnet .....	13	Group 41: Gasket Set .....	53
Group 13: Intake Manifold .....	14	Group 42: Starter Motor .....	56
Group 14: Exhaust Manifold, 4-Cylinder .....	16	Group 43: Air Heater .....	57
Group 15: Camshaft .....	17	Group 101: Air Intake .....	58
Group 16: Crankshaft .....	17	Group 103: Fuel System (Var. 1, 4, 5, 6, 7) .....	59
Group 17: Flywheel .....	18	Group 103: Fuel System (Var. 8 & 9) .....	60
Group 18: Piston .....	18	Group 104: Coolant System .....	61
Group 19: Connecting Rod .....	19	Group 105: Engine .....	63
Group 20: Idler Gear .....	20	Group 107: Nameplate & Decals .....	64
Group 21: Fuel Injection Pump Gear .....	20	Group 108: Oil Pressure Sender .....	64
Group 22: Lube Oil Pump .....	21	Group 109: Skid & Plant Mounting .....	65
Group 23: Lube Oil Dipstick .....	21	Group 109: Skid & Plant Mounting, (continued) ...	67
Group 24: Lube Oil Suction Pipe .....	22	Group 110: Temperature Switch .....	69
Group 25: Lube Oil Filter .....	23	Group 112: Starter .....	69
Group 26: Lube Oil Lines .....	24	Group 113: Alternator .....	70
Group 27: Cooling Water Pump .....	25	Group 201: Generator & Mounting .....	71
Group 28: Thermostat .....	26	Group 301: Controller & Mounting .....	78
Group 29: Cooling Water Lines .....	27	Group 701: Literature .....	80
Group 30: Water Temperature Sensor .....	27	Accessories and Paints .....	83
Group 31: Fuel Injection Pump .....	29		











# Series 1350

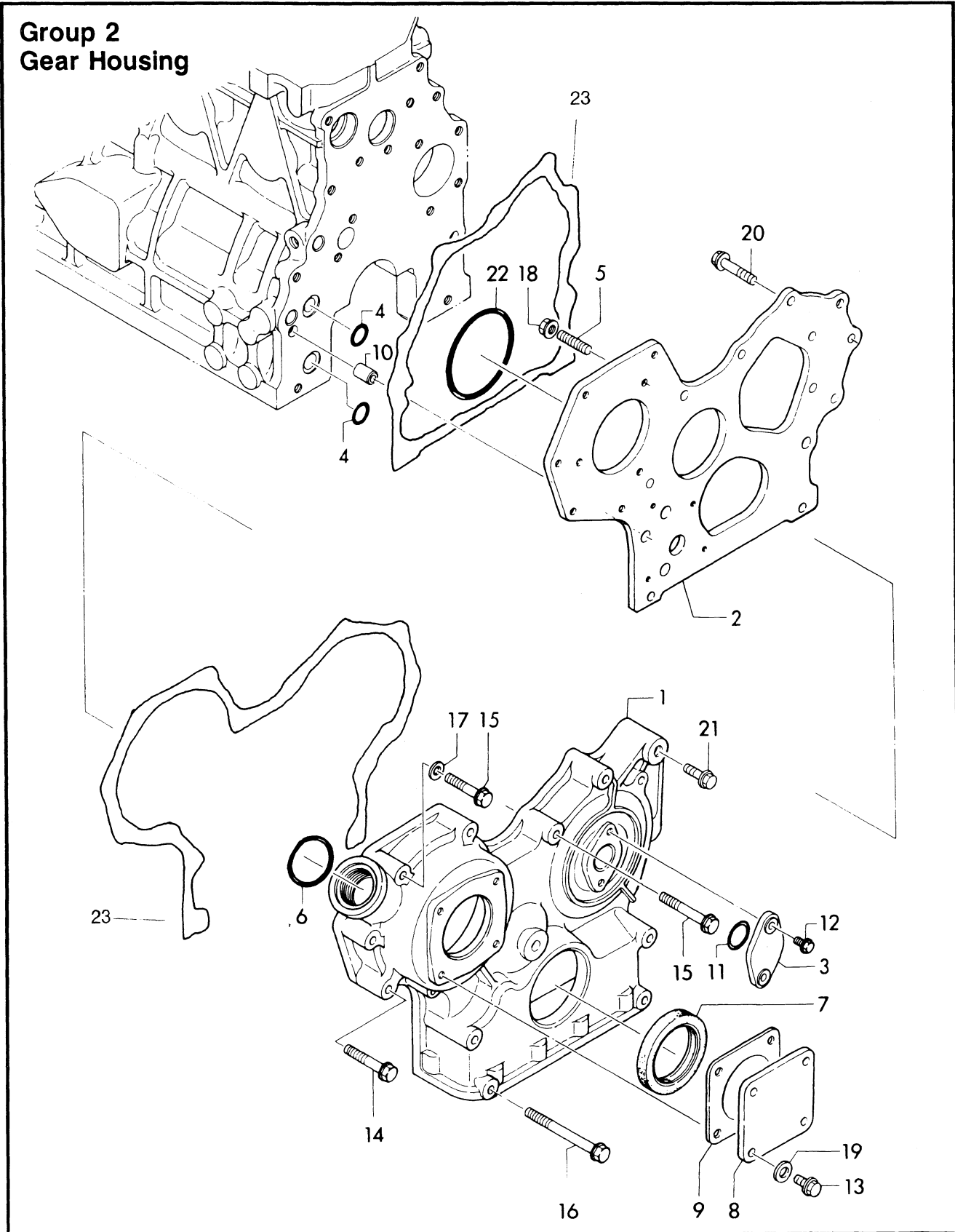
## Group 1 Cylinder Block

Item	Qty.	Description Variation No.	Part No.	Item	Qty.	Description Variation No.	Part No.
1	1	Cylinder Block 1 (4-cylinder)	252985	23	1	Gasket, cyl. head T1.5 1	256540
	1	Cylinder Block 3 (3-cylinder)	256807	24	1	Gasket, cyl. head 3	256788
2	1	See item 1 1,3	X	25	1	Joint, PT 1/4 in. 1	252760
3	1	See item 1 1,3	X	26	5	Cap (use item 1)	X
4	1	Plug, NPTF 1 1,3	252566				
5	2	Taper plug, PT 1/4 in. 1,3	252771				
6	1	Plug, PT 1/8 in. 1,3	256515				
7	1	Taper plug, PT 1/4 in. 1	252771				
8	1	Plug, 50 1,3	252726				
9	2	Plug, 12 1,3	252728				
10	8	Plug, 30 1,3	252731				
11	1	Plug, PT 3/8 in. 1	250795				
12	4	Gasket, 8 1	250967				
13	4	Bolt, M8x12 1,3	#				
14	2	Knock, pipe 1,3	252932				
15, 16	2	Pin, parallel 8x16 1	250960				
17	5	Main Bearing (pair) 1	252976				
18	1	Bush 1,3	252933				
19	2	Spring pin, 6x12 1,3	250963				
20	18	Bolt, cylinder head 1,3	252797				
21	1	Gasket, cyl. head T1.4 (std.) 1	252865				
22	1	Gasket, cyl. head T1.6 1	256541				

# Common Hardware, Obtain Locally  
X Not Sold Separately

# Series 1350

## Group 2 Gear Housing



# Common Hardware, Obtain Locally  
X Not Sold Separately

# Series 1350

## Group 2 Gear Housing

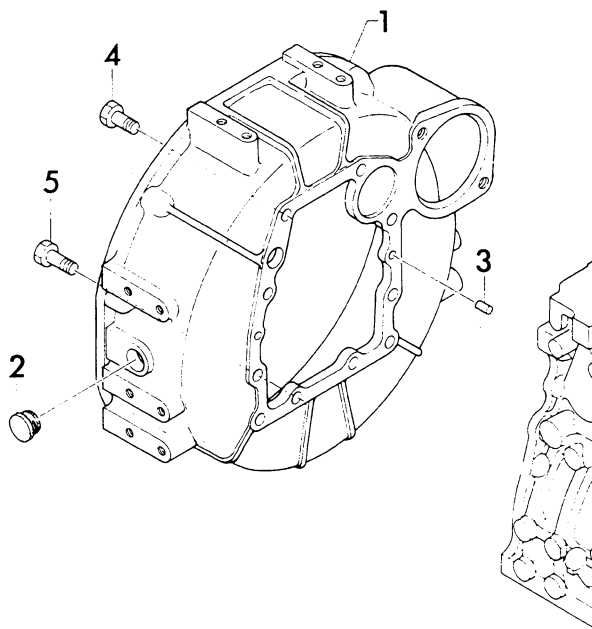
Item	Qty.	Description Variation No.	Part No.	Item	Qty.	Description Variation No.	Part No.
1	1	Housing, gear 1, 3	252860	22	1	O-Ring, pump 1, 3	252764
2	1	Flange, gear housing 1, 3	252861	23	AR	Liquid Gasket 1, 3	252998
3	1	Cover, blind 1, 3	252750				
4	2	O-Ring, 1A P16.0 1, 3	250981				
5	3	Stud, M8 x 22 1, 3	252409				
6	1	O-Ring, 1A P32.0 1, 3	252684				
7	1	Seal, oil 1, 3	252931				
8	1	Cover 1, 3	256531				
9	1	Gasket 1, 3	252085				
10	2	Knock, pipe 1, 3	252932				
11	1	O-Ring, 1A P26.0 1	252683				
	1	O-Ring, 1A P24.0 3	256796				
12	2	Bolt, M6 x 12 1, 3	#				
13	4	Bolt, M8 x 12 1, 3	252695				
14	6	Bolt, M8 x 45 1, 3	252703				
15	3	Bolt, M8 x 55 1, 3	#				
16	4	Bolt, M8 x 85 1, 3	#				
17	1	Seal washer 8 1, 3	252734				
18	3	Nut, M8 1, 3	252723				
19	4	Seal washer 8 1, 3	252734				
20	2	Bolt, M8 x 20 1, 3	252697				
21	4	Bolt, M8 x 16 1, 3	252693				

# Common Hardware, Obtain Locally  
X Not Sold Separately

## Series 1350

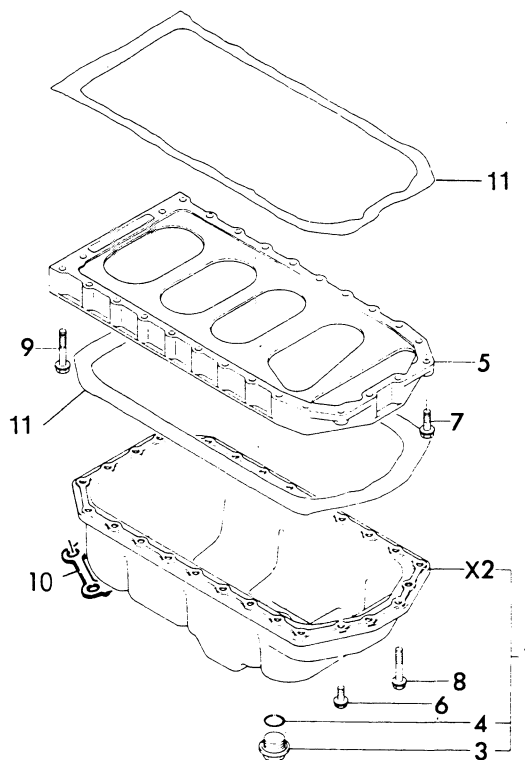
### Group 3 Flywheel Housing

Item	Qty.	Description Variation No.	Part No.
1	1	Housing, flywheel 1, 3	256553
2	1	Plug, 22 1	252942
	1	Cap, flywheel 3	256570
3	1	Pin, parallel 8 x 16 1	250960
	1	Pin, parallel 8 x 16	256750
4	6	Bolt, M10 x 25 1, 3	#
5	2	Bolt, M10 x 30 1, 3	#



### Group 4 Lube Oil Sump

Item	Qty.	Description Variation No.	Part No.
1	1	Lube Oil Sump Assembly 1	252983
	1	Lube Oil Sump Assembly 3	256801
2	1	Refer to Item 1 1, 3	X
3	1	Plug, M22 1, 3	252943
4	1	O-Ring, 1A S25 1	252687
	1	O-Ring, 1A S25 3	256796
5	1	Spacer, sump 1	252862
	1	Spacer, sump 3	256751
6	4	Bolt, M8 x 16 1, 3	#
7	2	Bolt, M8 x 25 1, 3	#
8	20	Bolt, M8 x 45 1, 3	#
9	4	Bolt, M8 x 50 1, 3	#
10	2	Support 3	256752
11	AR	Liquid Gasket 1, 3	252998



# Series 1350

Item	Qty.	Description Variation No.	Part No.
1	1	Oil Seal Case 1, 3	252800
2	1	Gasket, liquid 1, 3	252998
3	1	Oil Seal 1, 3	252930
4	2	Pin, parallel 8 x 16 1, 3	250960
5	6	Bolt, M8 x 30 1, 3	#
6	3	Bolt, M8 x 35 1, 3	#

**Group 5  
Oil Seal Housing**

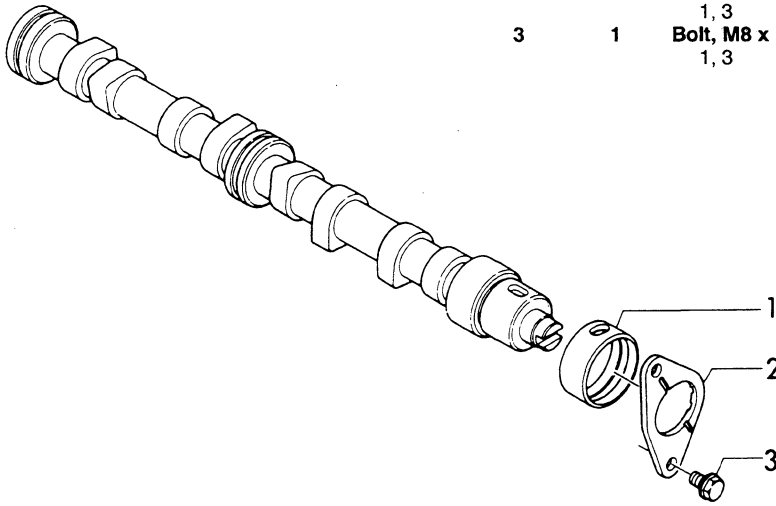
Item	Qty.	Description Variation No.	Part No.
1	1	Refer to Group 1 1, 3	X
2	4,3	Refer to Group 1 1, 3	X
3	5,4	Main Bearing (Pair) 1, 3	252976
4	5,4	Refer to Item 3 1, 3	X
5	5,4	Refer to Item 3 1, 3	X
6	2	Thrust Bearing Assembly 1, 3	252977
7	2	Refer to Item 6 1, 3	X
8	2	Refer to Item 6 1, 3	X
9	10,8	Bolt 1, 3	252803

**Group 6  
Main Bearings**

# Series 1350

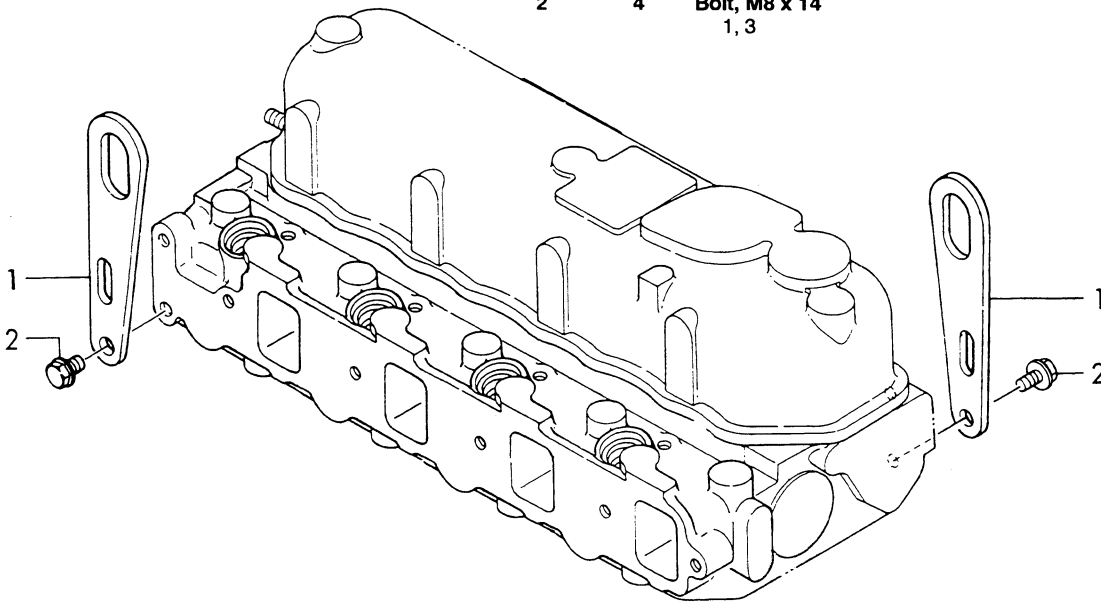
## Group 7 Camshaft Bearing

Item	Qty.	Description Variation No.	Part No.
1	1	Bushing 1, 3	252933
2	1	Thrust Bearing 1, 3	252804
3	1	Bolt, M8 x 16 1, 3	252696



## Group 10 Engine Lifter

Item	Qty.	Description Variation No.	Part No.
1	2	Engine Lifter 1, 3	256532
2	4	Bolt, M8 x 14 1, 3	#



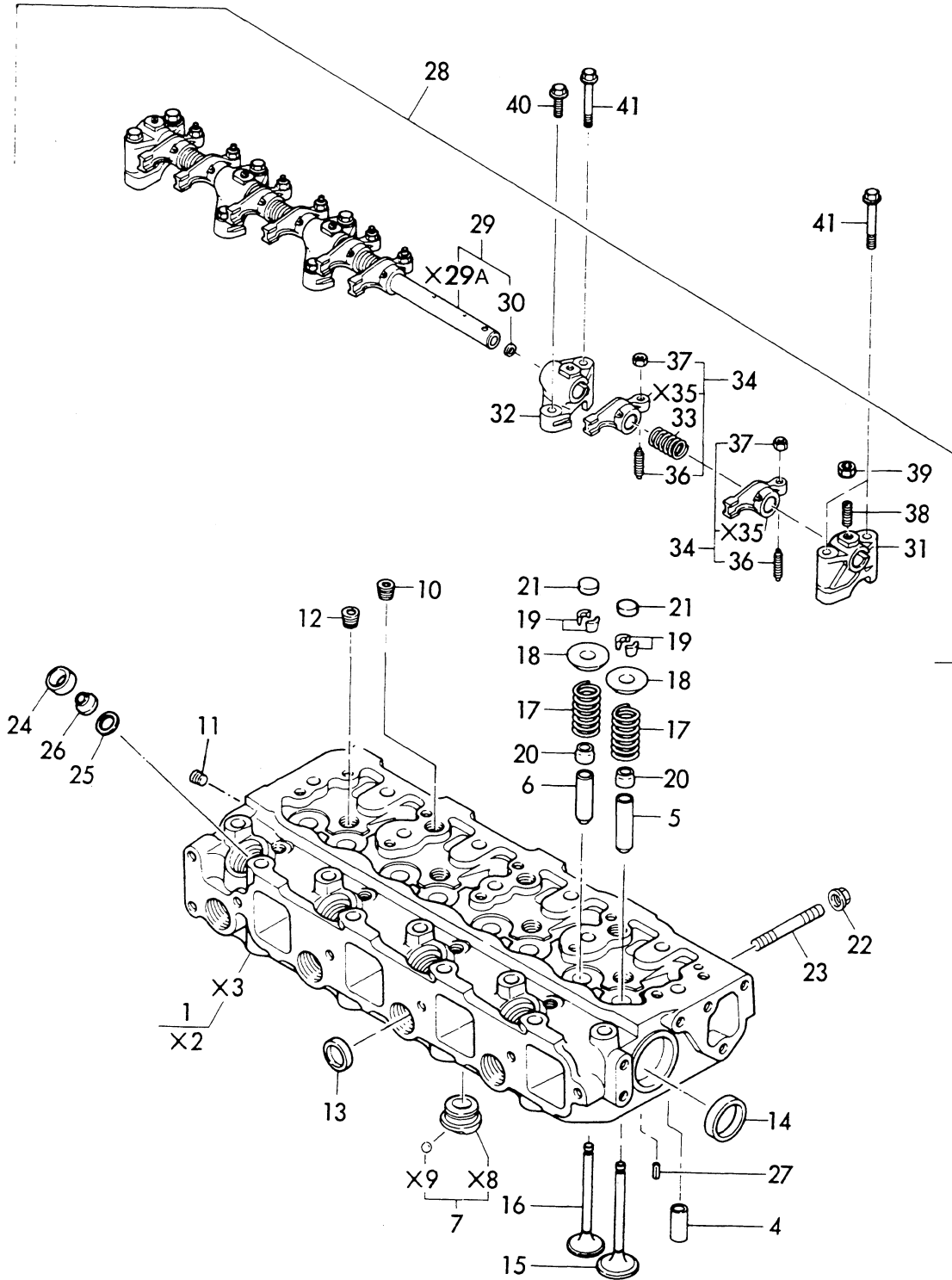
# Common Hardware, Obtain Locally  
X Not Sold Separately

**This page intentionally left blank.**

# Series 1350

## Group 11 Cylinder Head

(For units with Serial Numbers Below 203029)



# Common Hardware, Obtain Locally  
X Not Sold Separately

# Series 1350

## Group 11 Cylinder Head

(For units with Serial Numbers below 203029)

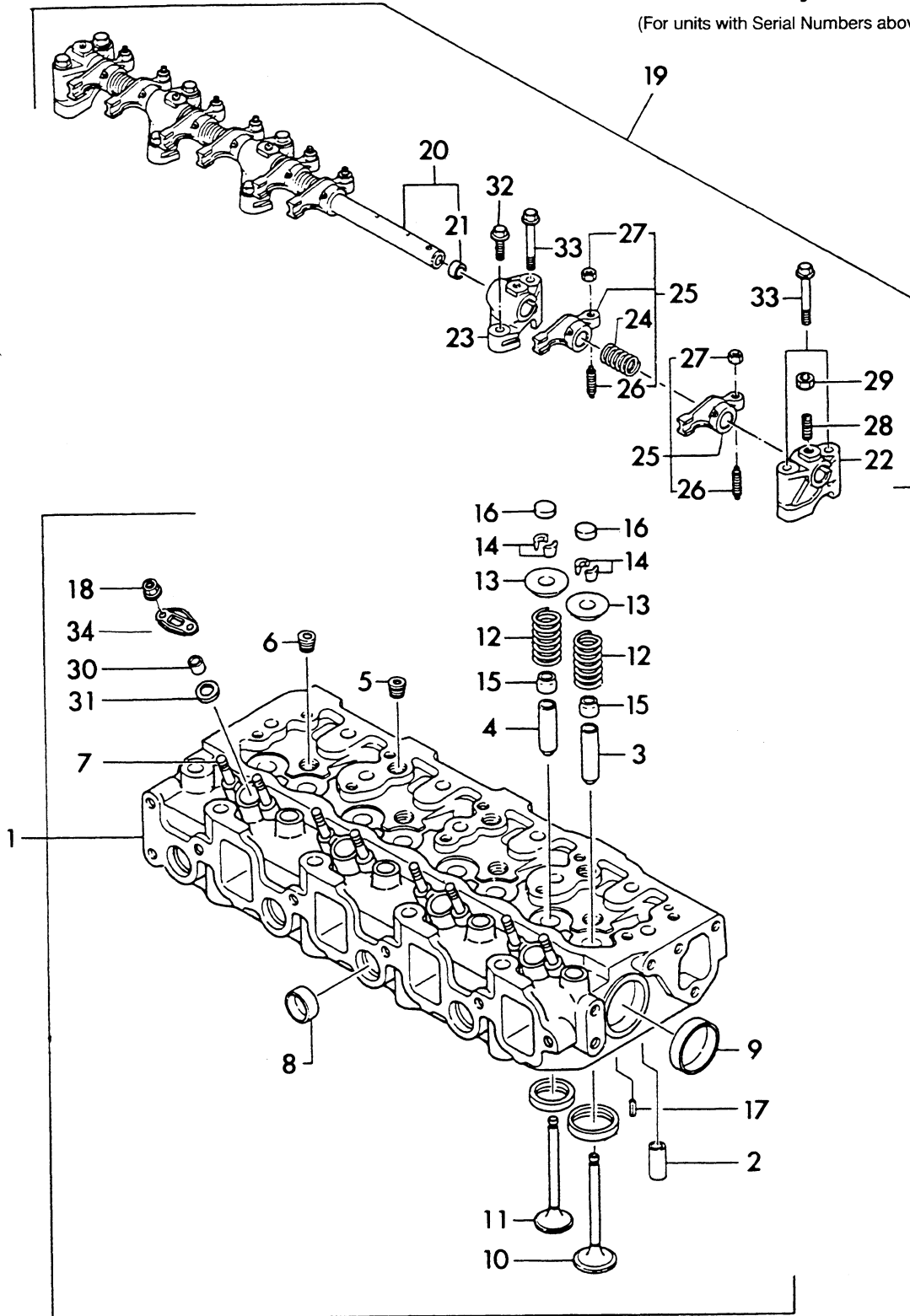
Item	Qty.	Description Variation No.	Part No.	Item	Qty.	Description Variation No.	Part No.
1	1	Cylinder Head Assembly 1	252990	23	2	Stud, M8 x 20 1	252720
2	1	Refer to Item 1 1	X	24	4	Chamber 1	252924
3	1	Refer to Item 2	X	25	4	Gasket, T2.0 1	252936
4	4	Piece 1	252809	26	4	Washer, corrugated	252816
5	4	Guide, intake valve 1	252810	27	2	Pin, spring 6.0A 1	250963
6	4	Guide, exhaust valve 1	252811	28	1	Shaft Assembly 1	256556
7	4	Chamber 1	252857	29	1	Shaft, comp.	252913
8	4	Refer to Item 7 1	X	29A	1	Refer to Item 29 1	X
9	4	Ball, 1/8 in. 1	X	30	1	Plug 10 1	252727
10	3	Plug 1	#	31	2	Support, rocker arm 1	252843
11	1	Plug 1	#	32	3	Support, rocker arm 1	252844
12	4	Plug, PT 3/8 in. 1	250975	33	4	Spring 1	252815
13	4	Plug, 22 1	252729	34	4	Rocker Arm Assembly 1	252978
14	2	Plug, 40 1	252732	35	8	Refer to Item 34 1	X
15	4	Valve, intake 1	252778	36	8	Screw, valve 1	252812
16	4	Valve, exhaust 1	252779	37	8	Nut, M8 x 10 1	X
17	8	Spring, valve 1	252934	38	3	Stud, M8 x 18	252722
18	8	Retainer, spring 1	252935	39	3	Nut, lock M8 1	#
19	8	Cotter, 8 1	252737	40	3	Bolt, Bolt, M8 x 25 1	#
20	8	Seal, valve stem 1	252754	41	3	Bolt, M8 x 50	#
21	8	Cap 1	252740				
22	2	Nut, w/ washer, M8 1	#				

# Common Hardware, Obtain Locally  
X Not Sold Separately

# Series 1350

## Group 11 Cylinder Head

(For units with Serial Numbers above 203028)



# Common Hardware, Obtain Locally  
X Not Sold Separately

# Series 1350

## Group 11 Cylinder Head

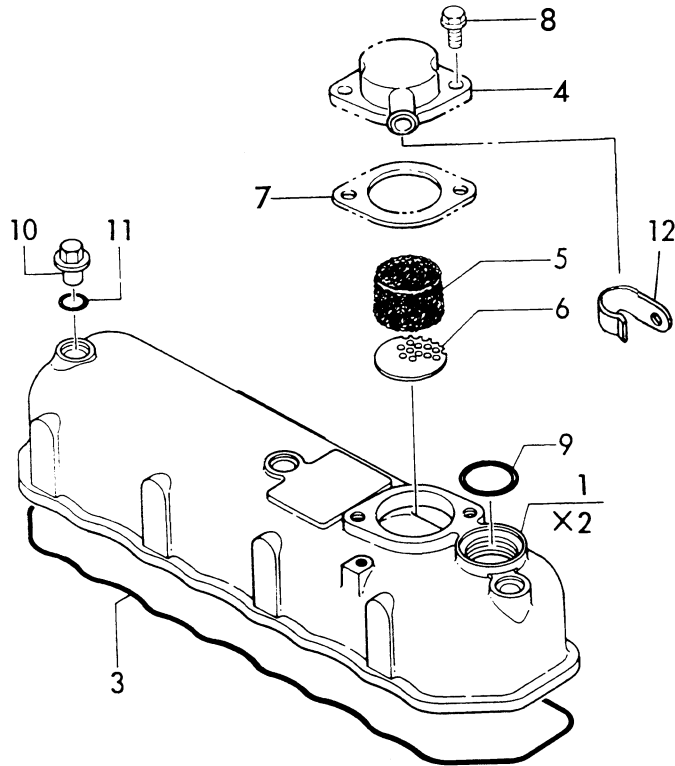
(For units with Serial Numbers above 203028)

Item	Qty.	Description Variation No.	Part No.	Item	Qty.	Description Variation No.	Part No.
1	1	Cylinder Head Assembly 1, 2	256716	20	1	Shaft, rocker arm 1, 2	252913
	1	Cylinder Head Assembly 3	256802		1	Shaft, rocker arm 3	256766
2	4	Plug 1, 2, 3	252809	21	2	Plug, 10 1, 2, 3	252727
3	4,3	Guide, intake 1, 2, 3	256571	22	2	Support, rocker arm 1, 2, 3	252843
4	4,3	Guide, exhaust 1, 2, 3	252811	23	3,2	Support, rocker arm 1, 2, 3	252844
5	3	Plug, PT 1/4 in. 1, 2, 3	256525	24	4,3	Spring 1, 2, 3	252815
6	4	Plug, PT 3/8 in. 1, 2, 3	250975	25	8	Rocker Arm Assembly 1, 2	252789
7	8	Stud, M6 X 20 1, 2, 3	252717		6	Rocker Arm Assembly 3	256805
8	4	Plug, 22 1, 2, 3	252729		6	Rocker Arm Assembly (Engine S/N 12038 and later) 3	225869
9	2	Plug, 40 1, 2, 3	252732	26	8,6	Adjuster, valve screw 1, 2, 3	252812
10	4, 3	Valve, intake 1, 2, 3	252778	27	8,6	Nut, M8 x18 1, 2, 3	252817
11	4,3	Valve, exhaust 1, 2, 3	252779	28	3	Stud, M8 x 18 1, 2, 3	252722
12	8,6	Spring, valve 1, 2, 3	252934	29	3	Nut, lock M8 1, 2	252804
13	8,6	Retainer, spring 1, 2, 3	252935	30	4,3	Protector, nozzle 1, 2, 3	252743
14	8,6	Cotter 1, 2, 3	252737	31	4,3	Seat, nozzle 1, 2, 3	252744
15	8,3	Seal, valve stem 1, 2, 3 (ex)	256578	32	3,2	Bolt, M8 x 25 1, 2, 3	252699
	3	Seal, valve stem 3 (in)	252754	33	7,6	Bolt, M8 x 50 1, 2, 3	252704
16	8,6	Cap 1, 2, 3	256717	34	3	Retainer 3	252745
17	2	Pin, roll 6.0 1, 2, 3	250963				
18	8	Nut, M6 1, 2, 3	250989				
19	1	Rocker Arm Shaft Assembly 1, 2	256650				
	1	Rocker Arm Shaft Assembly 3	256775				
	1	Rocker Arm Shaft Assembly (Engine S/N 12038 and later) 3	225867				

# Common Hardware, Obtain Locally  
X Not Sold Separately

# Series 1350

## Group 12 Breather & Bonnet

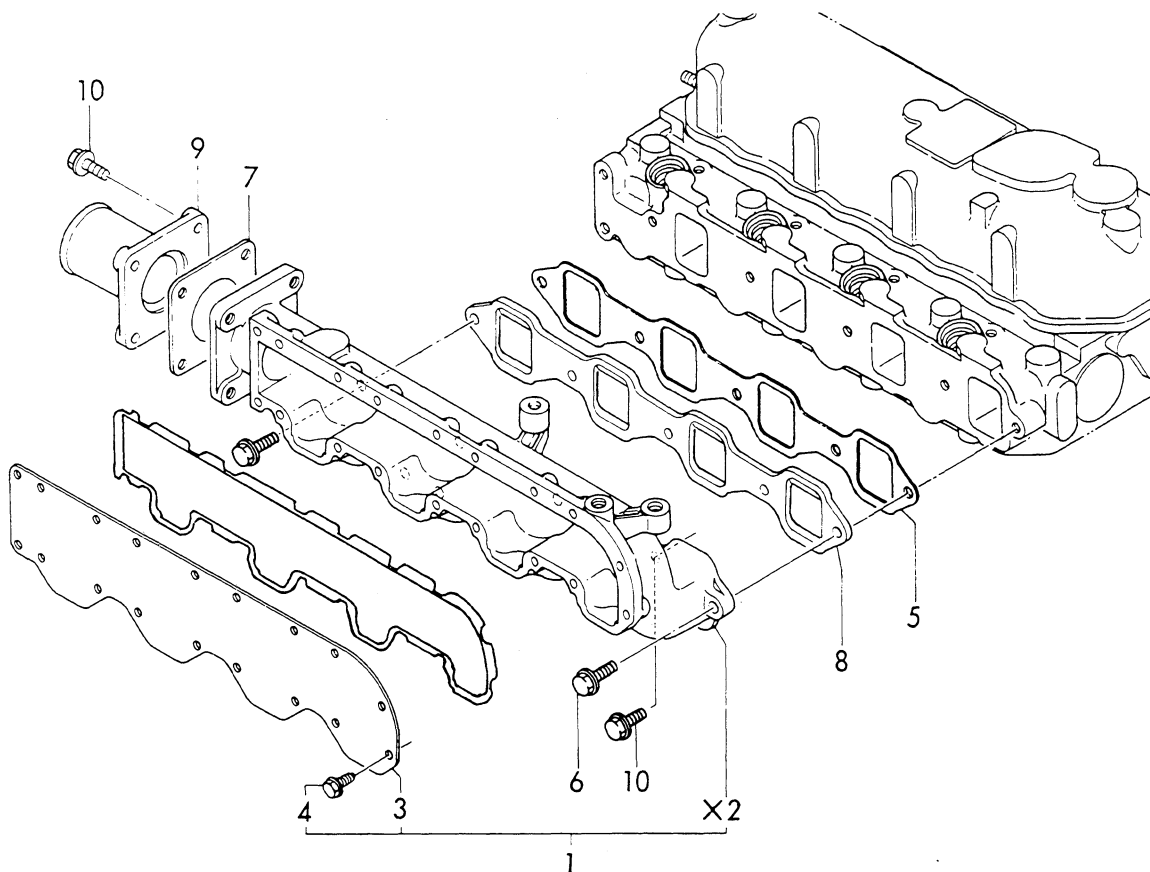


Item	Qty.	Description Variation No.	Part No.	Item	Qty.	Description Variation No.	Part No.
1	1	Bonnet Assembly 1	252989	8	2	Bolt, M8 x 20 1	#
	1	Bonnet Assembly 3	225868		2	Bolt, M8 x 16 3	#
2	1	Bonnet 1, 3	X	9	1	O-Ring Engine S/N before 3238 1	252755
3	1	Gasket, bonnet 1	252914		1	O-Ring 1, 3	252684
		Gasket, bonnet 3	256767	10	3	Bonnet cap nut 1, 3	252470
4	1	Cover, breather 1, 3	225773	11	3	O-Ring, 1A P12 1, 3	250801
5	1	Baffle 1, 3	252805	12	1	Clamp, pipe 1, 3	252808
6	1	Plate, shelter 1, 3	252806				
7	1	Gasket 1, 3	225812				

# Series 1350

## Group 13 Intake Manifold

(For Units with Serial Numbers below 203029)



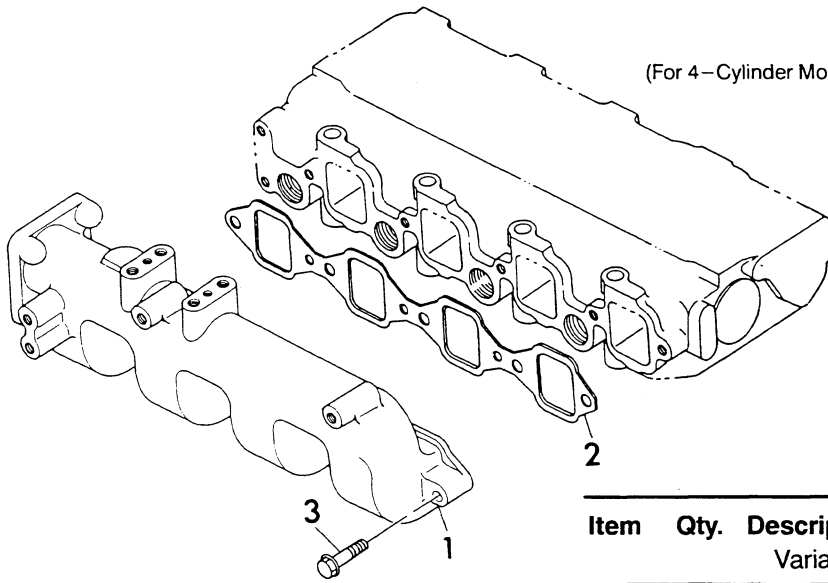
Item	Qty.	Description Variation No.	Part No.	Item	Qty.	Description Variation No.	Part No.
1	1	Intake Manifold Assembly 1	252873	6	5	Bolt, M8 x 20 1	#
2	1	Refer to Item 1 1	X	7	1	Gasket 1	252842
3	1	Cover 1	252874	8	1	Spacer 1	252954
4	18	Bolt, M6 x 14 1	#	9	1	Connector 1	252955
5	1	Gasket 1	252915	10	4	Bolt, M8 x 22 1	#

# Common Hardware, Obtain Locally  
X Not Sold Separately

# Series 1350

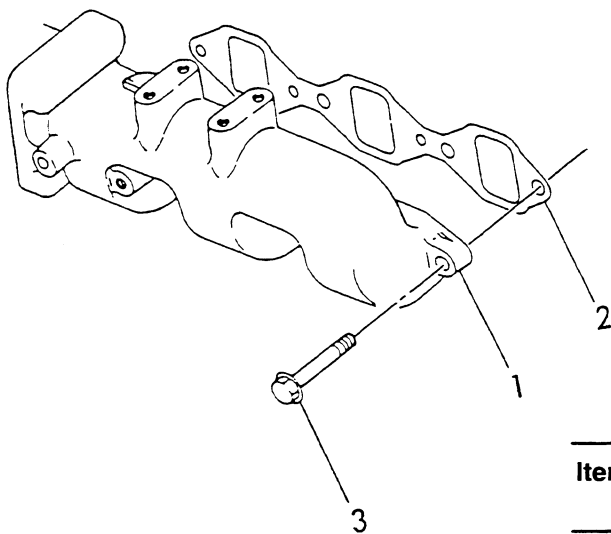
## Group 13 Intake Manifold 4-cylinder

(For 4-Cylinder Models with Serial Numbers above 203028)



Item	Qty.	Description Variation No.	Part No.
1	1	Intake Manifold 1, 2	256718
2	1	Gasket, intake manifold 1, 2	252915
3	5	Bolt, M8 x 35 1, 2	252701

## Group 13 Intake Manifold 3-Cylinder

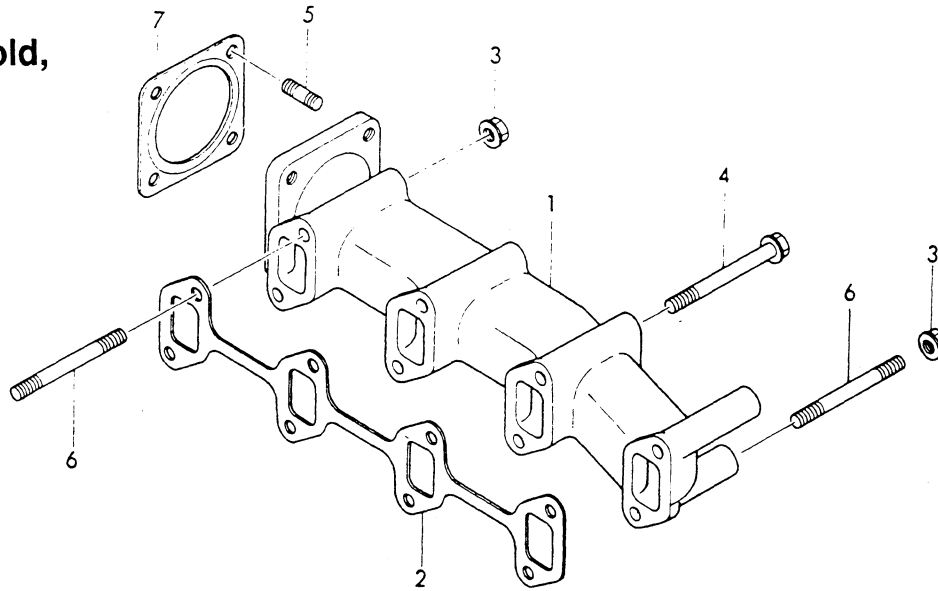


Item	Qty.	Description Variation No.	Part No.
1	1	Intake manifold 3	256761
2	1	Gasket, intake manifold 3	256769
	1	Gasket, intake manifold (Engine S/N 11545 and later) 3	225874
3	4	Bolt, 8 x 25 3	252699

# Common Hardware, Obtain Locally  
X Not Sold Separately

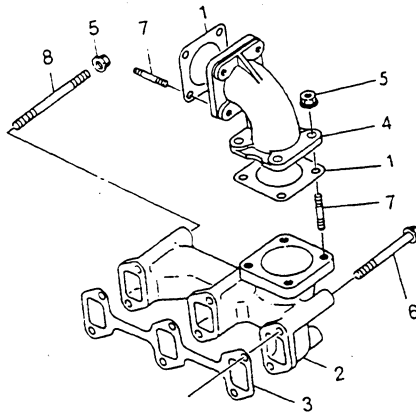
## Series 1350

### Group 14 Exhaust Manifold, 4-Cylinder



Item	Qty.	Description Variation No.	Part No.	Item	Qty.	Description Variation No.	Part No.
1	1	Exhaust Manifold	252867	5	4	Stud, M8 x 22	252719
2	1	Gasket, exhaust manifold	252916	6	2	Stud, M8 x 20	252720
3	2	Nut with washer	#	7	1	Gasket	252863
4	6	Bolt, M8 x 80	#		1	Gasket (Engine S/N 7750 and later)	225934

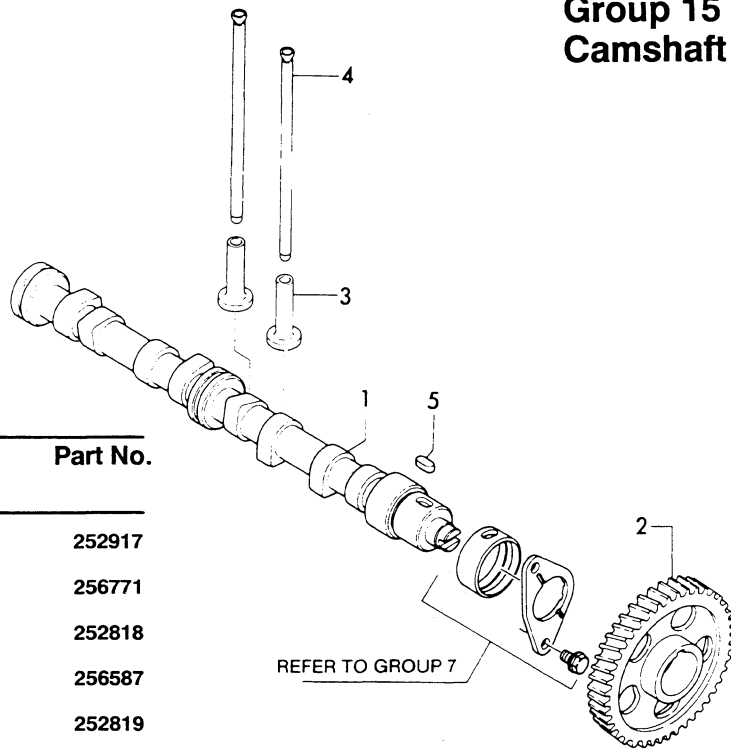
### Group 14 Exhaust Manifold 3-Cylinder



Item	Qty.	Description Variation No.	Part No.	Item	Qty.	Description Variation No.	Part No.
1	1	Silencer gasket	256748	5	6	Nut with washer 8	#
	1	Silencer gasket (Engine S/N 11545 and Later)	225769	6	4	Bolt, M8 x 80	#
2	1	Exhaust Manifold	256793	7	8	Stud M8 x 22	252719
3	1	Gasket, exhaust manifold	256770	8	2	Stud M8 x 80	252720
4	1	Exhaust elbow	256733		3		

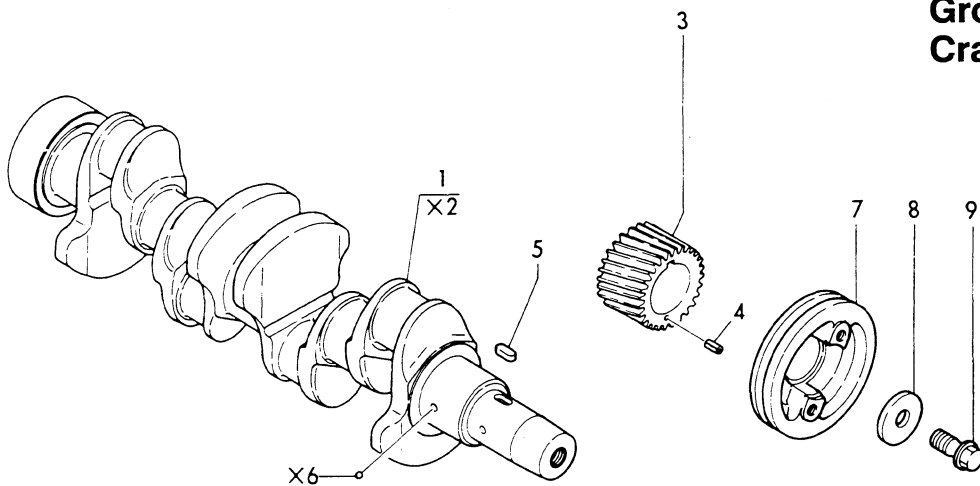
# Series 1350

## Group 15 Camshaft



Item	Qty.	Description Variation No.	Part No.
1	1	Camshaft 1	252917
	1	Camshaft 3	256771
2	1	Gear, camshaft 1	252818
	1	Gear, camshaft 3	256587
3	8,6	Tappet 1, 3	252819
4	8,6	Push rod 1, 3	252820
5	1	Feather key, 7 x 14 1, 3	252669

## Group 16 Crankshaft

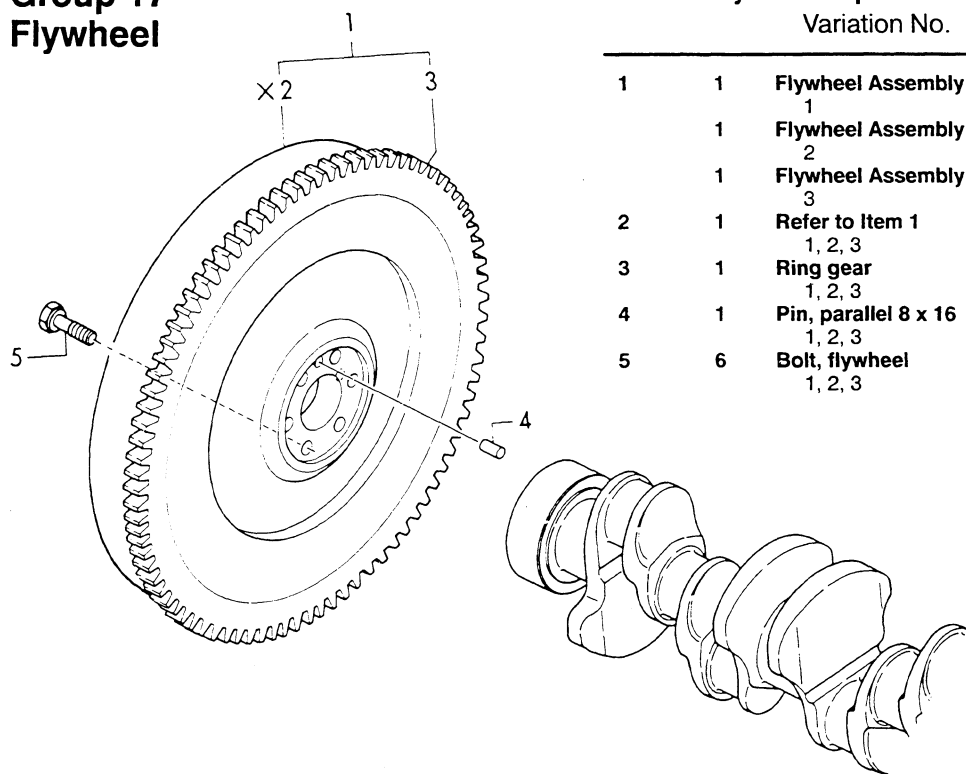


Item	Qty.	Description Variation No.	Part No.	Item	Qty.	Description Variation No.	Part No.
1	1	Crankshaft Assembly 1	252984	6	4	Ball, 1/4 in. 1, 3	X
	1	Crankshaft Assembly 3	256803	7	1	V-Pulley 1	252918
2	1	Refer to Item 1 1, 3	X	1	1	V-Pulley 3	256772
3	1	Crankshaft Gear 1, 3	252821	8	1	Washer 1, 3	252937
4	1	Spring pin, 4 x 10 1, 3	252668	9	1	Bolt 1, 3	252763
5	1	Feather key, 7 x 14 1, 3	252669				

# Common Hardware, Obtain Locally  
X Not Sold Separately

# Series 1350

## Group 17 Flywheel

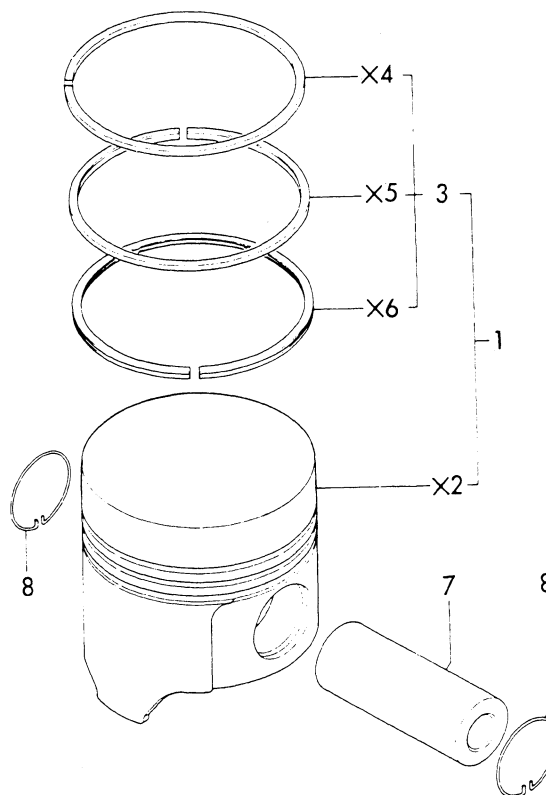


Item	Qty.	Description Variation No.	Part No.
1	1	Flywheel Assembly 1	252950
	1	Flywheel Assembly 2	252971
	1	Flywheel Assembly 3	256792
2	1	Refer to Item 1 1, 2, 3	X
3	1	Ring gear 1, 2, 3	252774
4	1	Pin, parallel 8 x 16 1, 2, 3	250960
5	6	Bolt, flywheel 1, 2, 3	252401

## Group 18 Piston

(For units with Serial Numbers Below 203029)

Item	Qty.	Description Variation No.	Part No.
1	4	Piston w/ rings 1	252956
	4	Piston w/rings 0.250 oversized 1	256812
2	4	Refer to Item 1 1	X
3	4	Ring set, piston 1	252981
	4	Ring set, 0.250 oversized 1	256808
4	4	Refer to Item 3 1	X
5	4	Refer to Item 3 1	X
6	4	Refer to Item 3 1	X
7	4	Pin, piston 1	252822
8	8	Clip 1	#

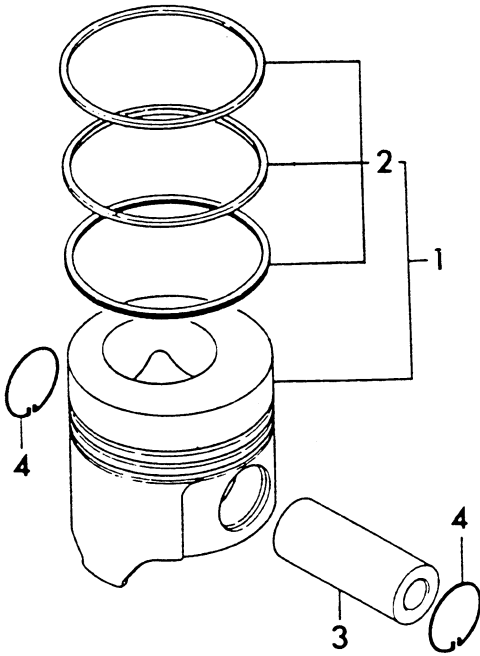


# Common Hardware, Obtain Locally  
X Not Sold Separately

# Series 1350

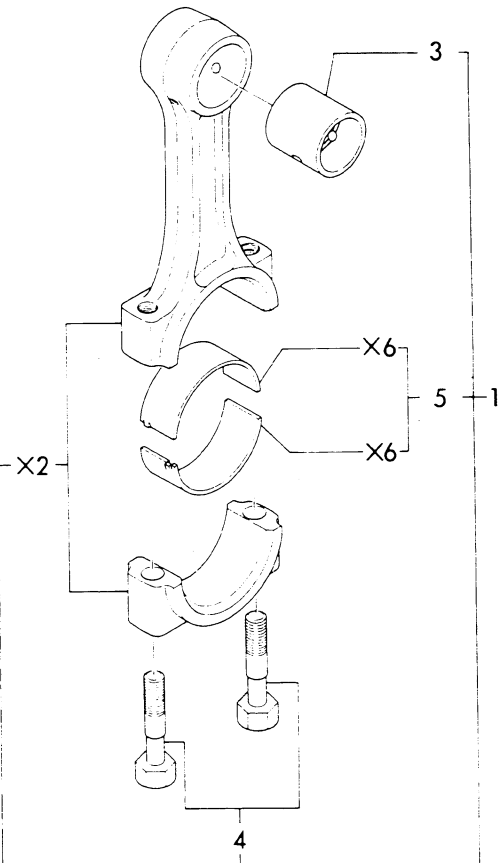
## Group 18 Piston

(For units with Serial Numbers above 203028)



Item	Qty.	Description Variation No.	Part No.
1	4,3	Piston, w/ rings 1, 2, 3	256719
	3,4	Piston, w/rings, 0.25 oversized 1, 2, 3	229514
2	4	Piston Ring Set 1, 2	252981
	3	Piston Ring Set 3	256811
	3,4	Ring set, 0.25 oversized 1, 2, 3	256808
3	4,3	Pin, piston 1, 2, 3	252822
4	8,6	Circlip 1, 2, 3	252751

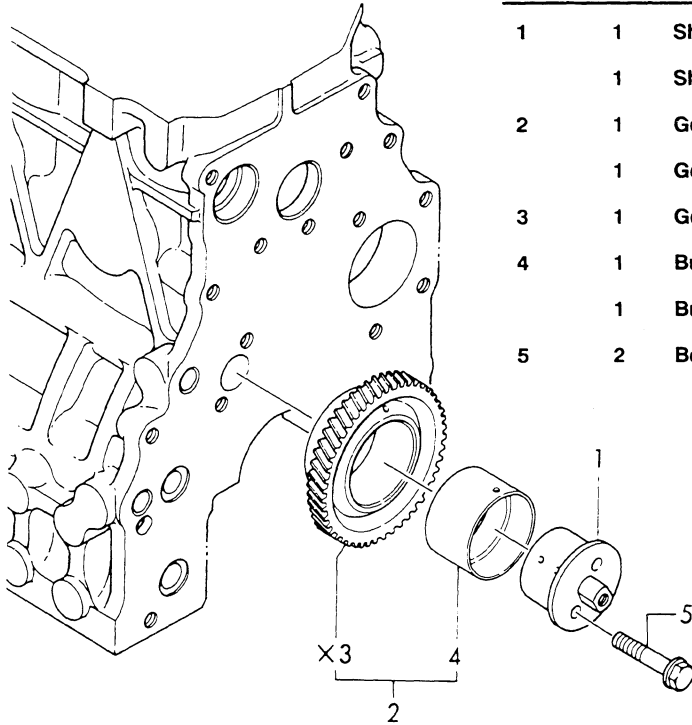
## Group 19 Connecting Rod



Item	Qty.	Description Variation No.	Part No.
1	4	Connecting Rod Assembly 1	252980
	3	Connecting Rod Assembly 3	256806
2	4,3	Refer to Item 1 1, 3	X
3	4	Bush, piston pin 1	252781
	3	Bush, piston pin 3	256580
4	8,6	Rod bolt 1, 3	250889
5	4	Bearing assembly 1	252979
	3	Bearing assembly 3	252822
	3	Bearing assembly, undersize 0.25 1, 3	256588
6	8,6	Bearing, crankpin 1, 3	X

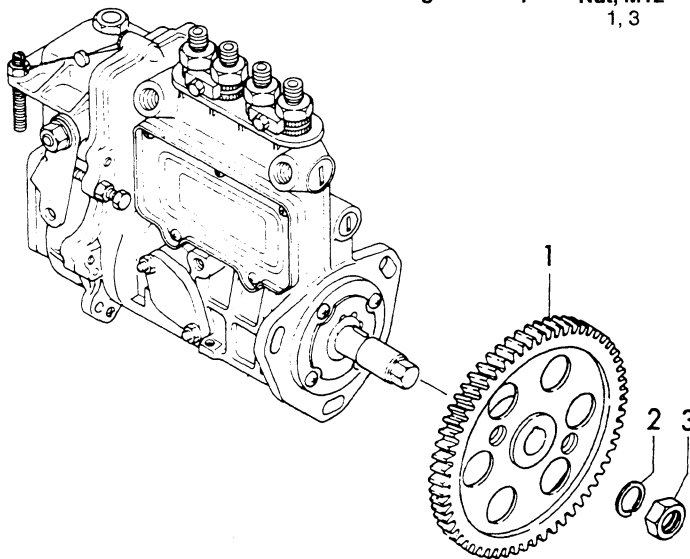
# Series 1350

## Group 20 Idler Gear



Item	Qty.	Description Variation	Part No.
1	1	Shaft, idler 1	252782
	1	Shaft, idler 3	256753
2	1	Gear, w/ bush 1	252826
	1	Gear, w/ bush 3	256590
3	1	Gear, idler 1, 3	X
4	1	Bush 1	252825
	1	Bush 3	256589
5	2	Bolt 1, 3	#

## Group 21 Fuel Injection Pump Gear



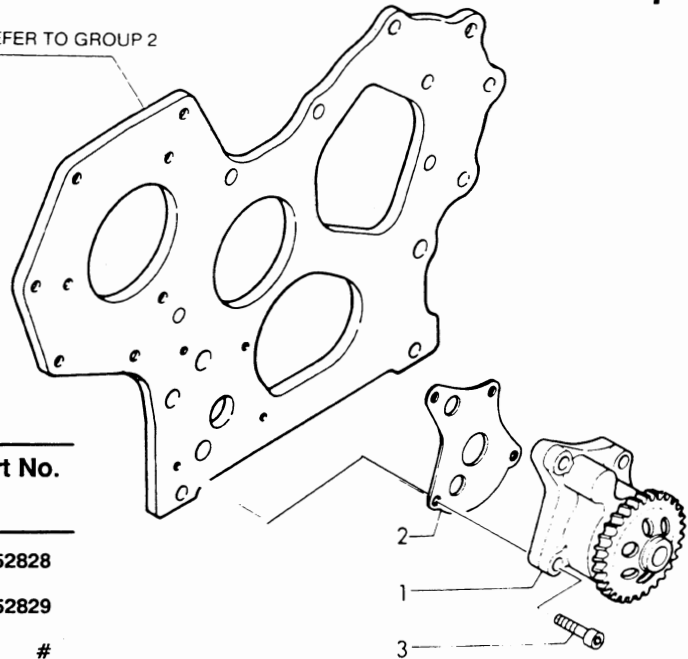
Item	Qty.	Description Variation No.	Part No.
1	1	Gear, fuel injection pump 1, 3	252827
2	1	Spring washer 12 1, 3	#
3	1	Nut, M12 1, 3	#

# Common Hardware, Obtain Locally  
X Not Sold Separately

# Series 1350

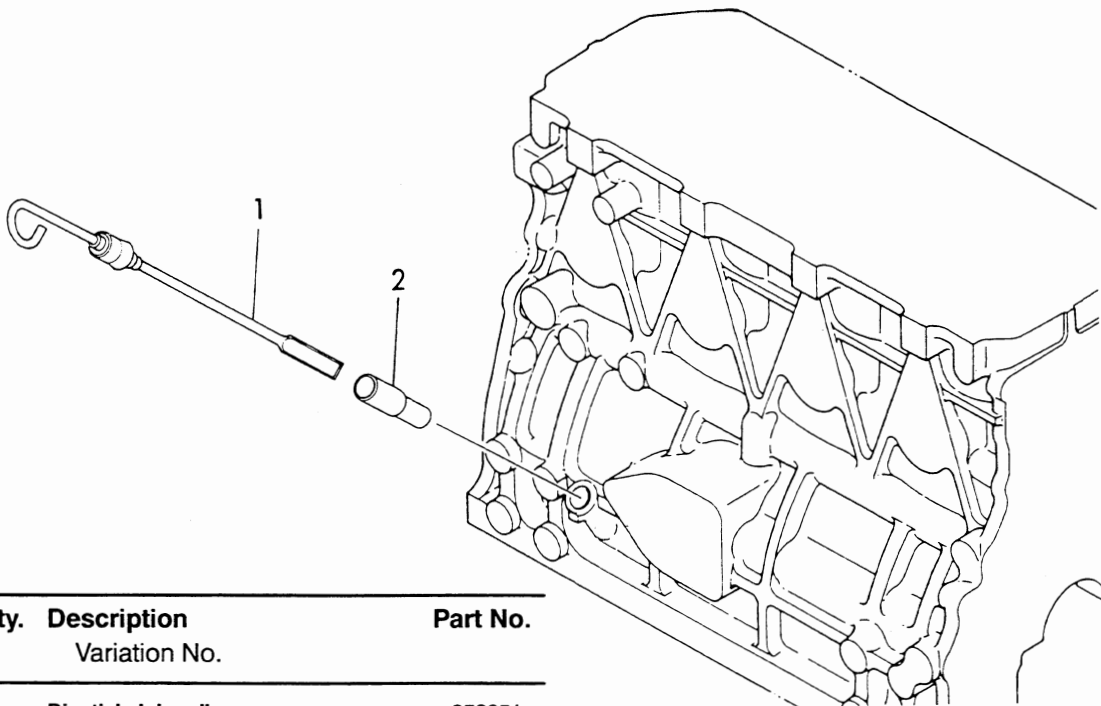
## Group 22 Lube Oil Pump

REFER TO GROUP 2



Item	Qty.	Description Variation No.	Part No.
1	1	Lube Oil Pump Assembly 1, 3	252828
2	1	Gasket 1, 3	252829
3	4	Bolt, M6 x 25 1, 3	#

## Group 23 Lube Oil Dipstick

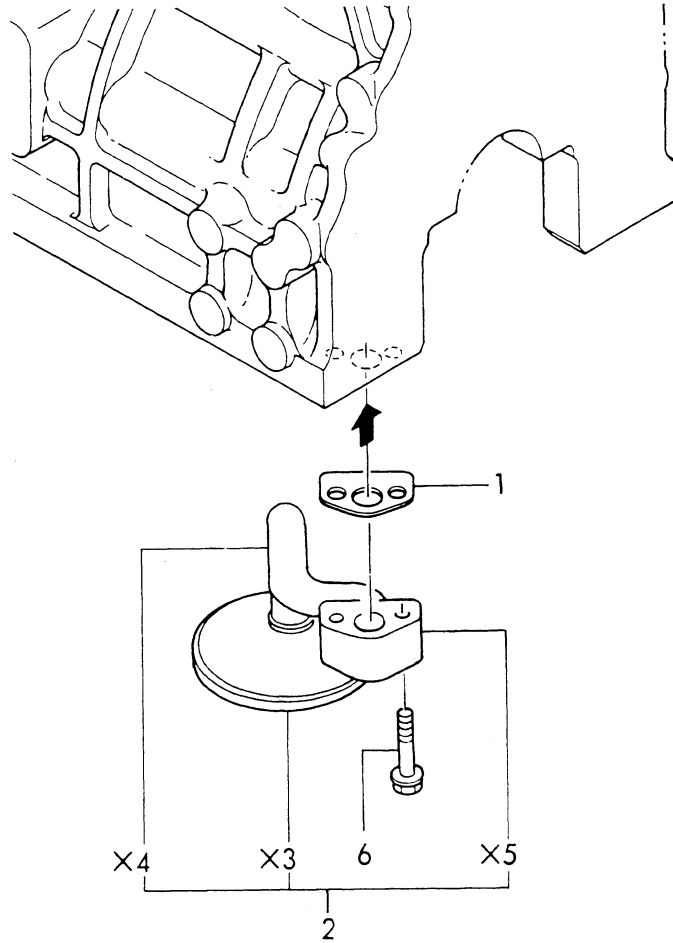


Item	Qty.	Description Variation No.	Part No.
1	1	Dipstick, lube oil 1, 3	252951
2	1	Guide, dipstick 1, 3	252759

# Common Hardware, Obtain Locally  
X Not Sold Separately

# Series 1350

## Group 24 Lube Oil Suction Pipe

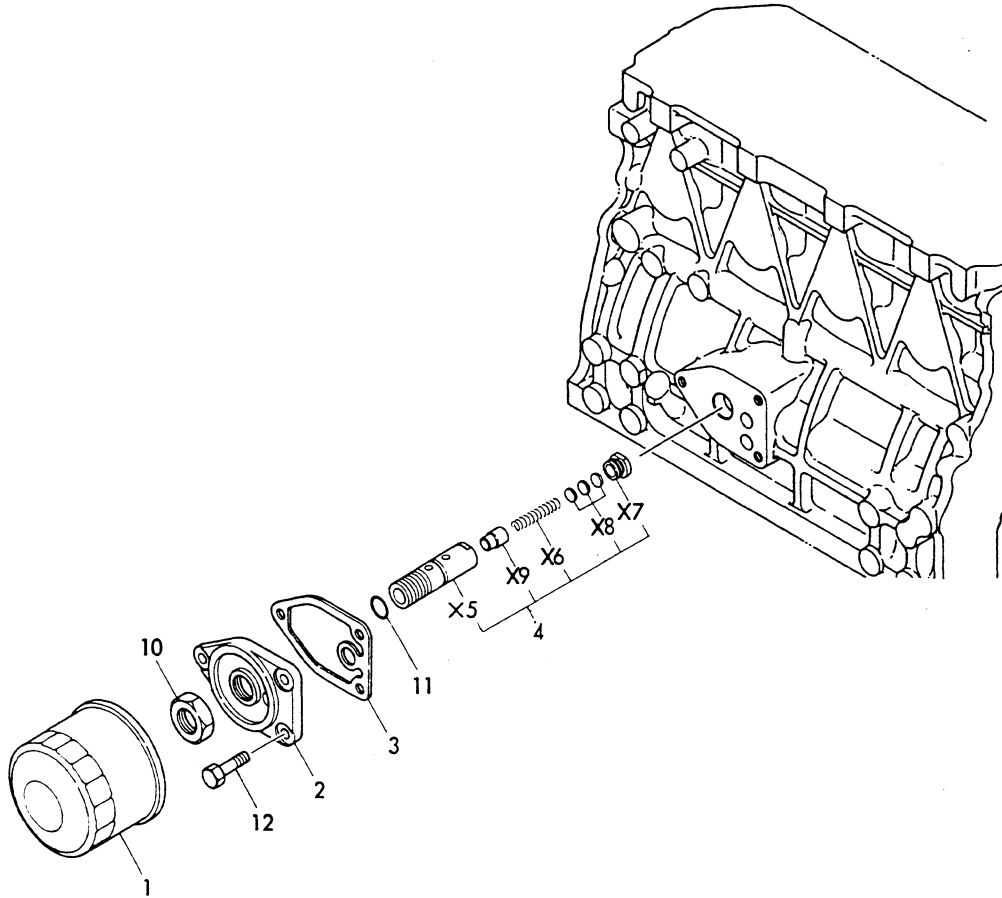


Item	Qty.	Description Variation No.	Part No.
1	1	Gasket 1, 3	252830
	1	Gasket (Engine S/N 7750 and later)	225775
	1	Gasket (Engine S/N 7750 and later)	225775
2	1	Pipe, oil inlet 1, 3	252831
3	1	Inlet 1, 3	X
4	1	Pipe, lube oil 1, 3	X
5	1	Flange 1, 3	X
6	2	Bolt, M8 x 25 1, 3	#

# Common Hardware, Obtain Locally  
X Not Sold Separately

# Series 1350

## Group 25 Lube Oil Filter

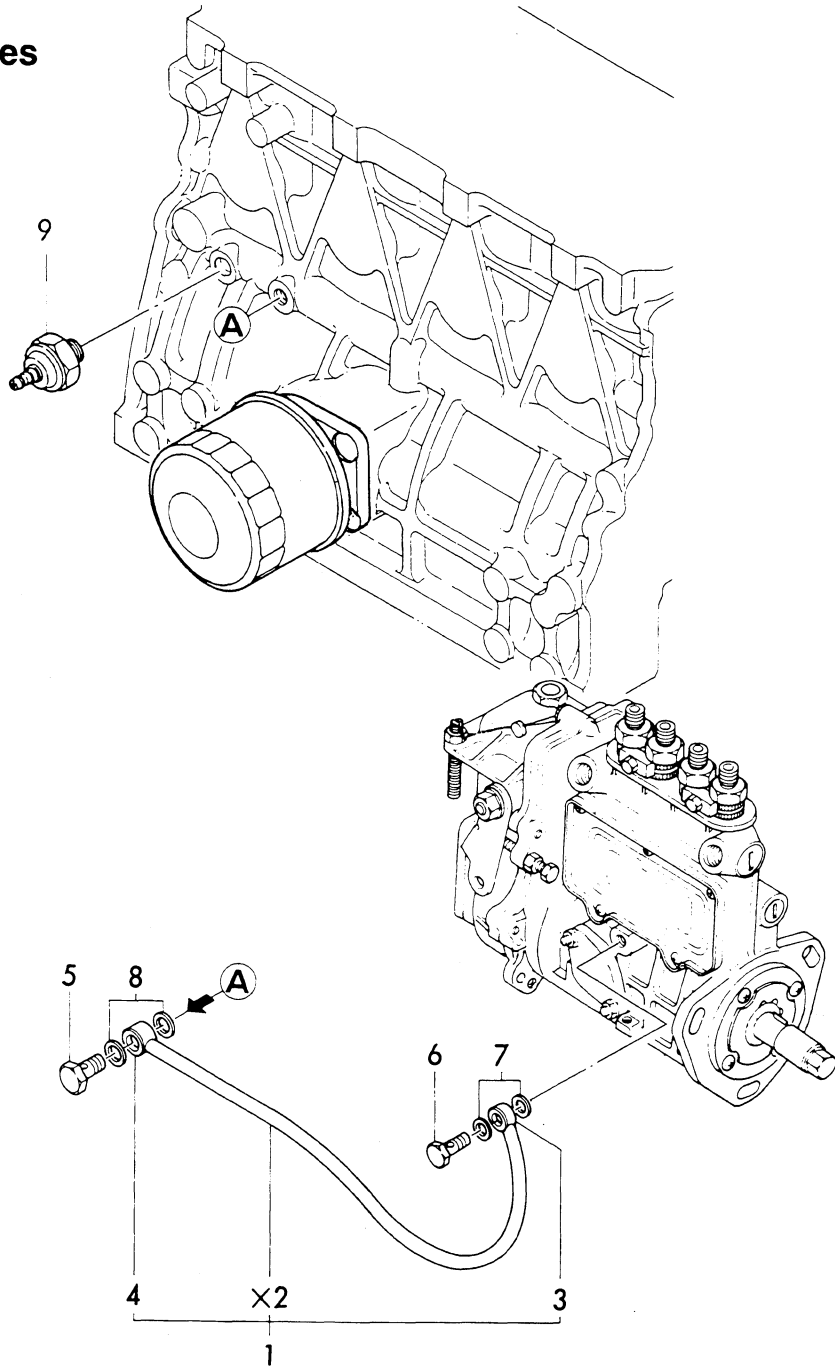


Item	Qty.	Description Variation No.	Part No.	Item	Qty.	Description Variation No.	Part No.
1	1	Filter 1, 3	252834	7	1	Refer to Item 4 1, 3	X
	1	Filter (Engine S/N 10922 and later) 1	229841	8	1	Shim 1, 3	X
2	1	Filter bracket 1	252832	9	1	Oil pressure valve 1, 3	X
	1	Filter bracket 3	256591	10	1	Nut	252835
3	1	Gasket 1, 3	252833	11	1	O-Ring, 1A P16.0 1, 3	250981
	1	Gasket (Engine S/N 7750 and later) 1	225776	12	3	Bolt, M8 x 25 1	#
	1	Gasket (Engine S/N 7750 and later) 3	225776				
4	1	Control Valve Assembly 1, 3	252747				
5	1	Refer to Item 4 1, 3	X				
6	1	Refer to Item 4 1, 3	X				

# Common Hardware, Obtain Locally  
X Not Sold Separately

# Series 1350

## Group 26 Lube Oil Lines

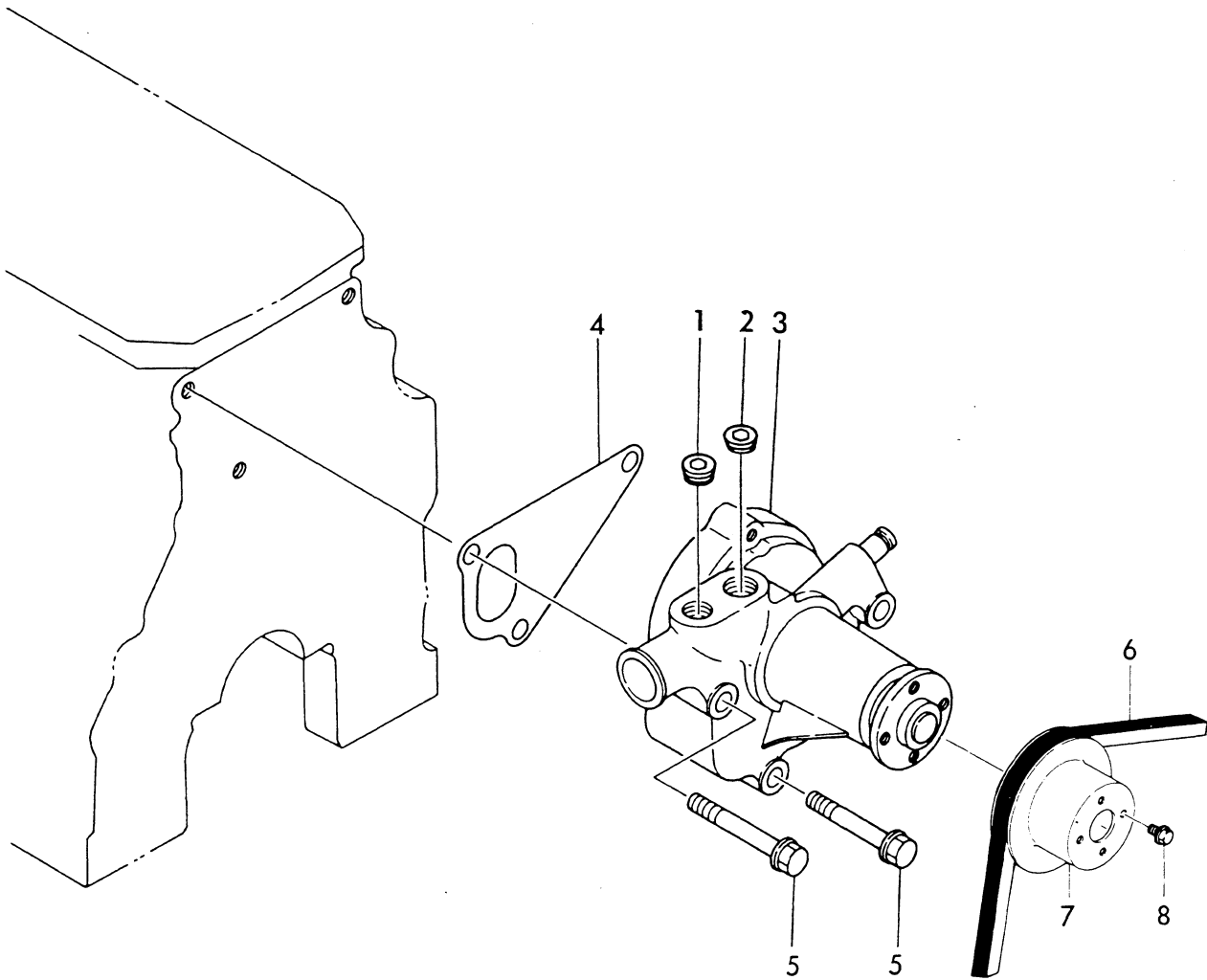


Item	Qty.	Description Variation No.	Part No.	Item	Qty.	Description Variation No.	Part No.
1	1	Pipe Assembly 1	252919	6	1	Pipe joint bolt 8 1, 3	252090
	1	Pipe Assembly 3	256773	7	2	Seal washer 8 1	252734
2	1	Refer to Item 1 1, 3	X			Seal washer 8 3	250967
3	1	Pipe joint 8 1	252236	8	2	Gasket 10 1, 3	250968
4	1	Pipe joint 10 1	252837	9	1	Oil pressure switch 1, 3	256530
5	1	Pipe joint bolt 10 1, 3	252084				

# Common Hardware, Obtain Locally  
X Not Sold Separately

# Series 1350

## Group 27 Cooling Water Pump

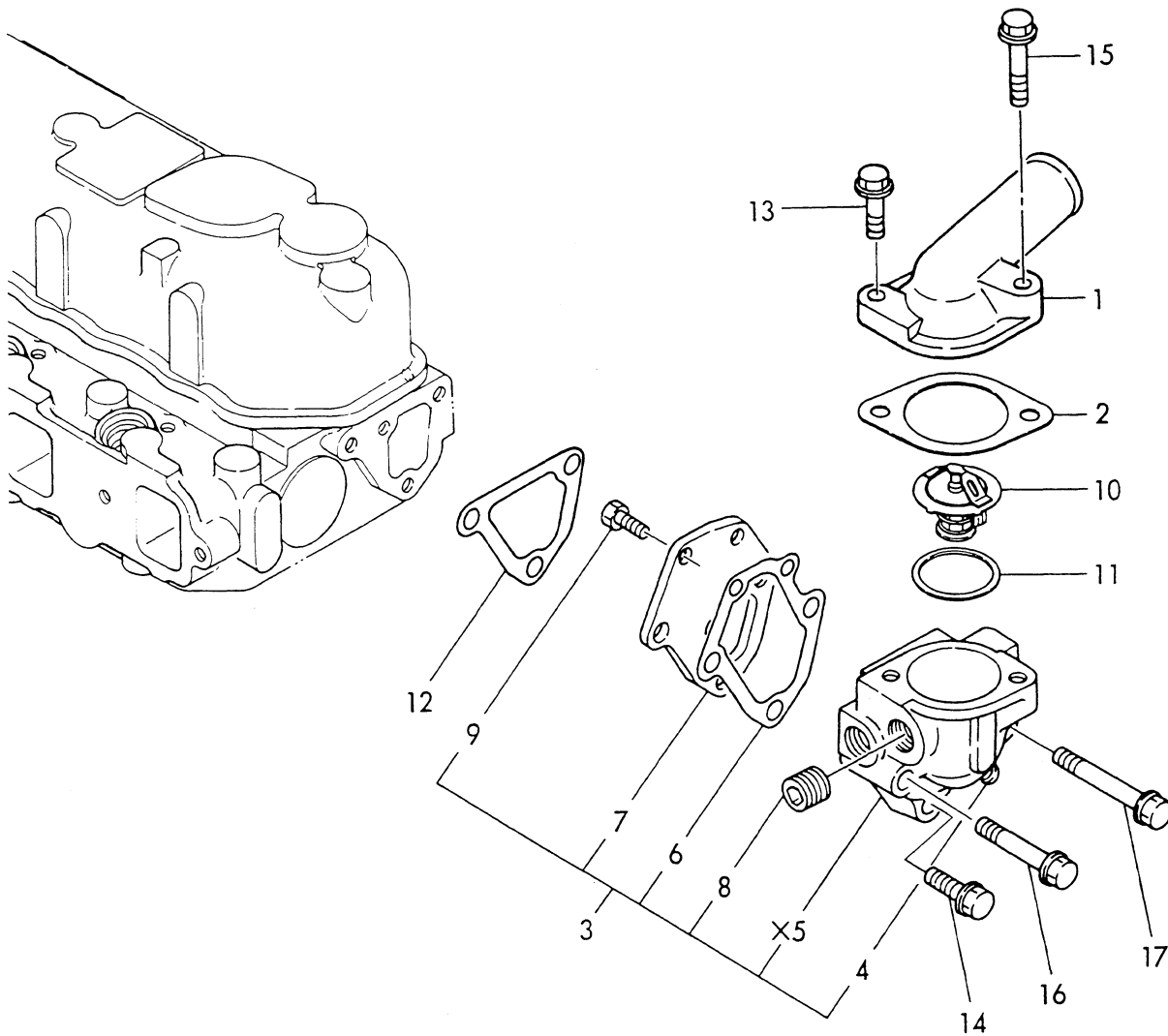


Item	Qty.	Description Variation No.	Part No.	Item	Qty.	Description	Part No.
1	1	Plug 1, 3	#	4	1	Gasket, water pump 1, 3	252784
2	1	Plug 1, 3	#	5	3	Bolt, M8 X 60 1, 3	#
3	1	Cooling Water Pump Assembly	252783	6	1	V-Belt	252758
	1	Cooling Water Pump Assembly	256754		1	V-Belt	256749
	1	Cooling Water Pump Assembly (Engine S/N 11545 and later)	252783	7	1	V-Pulley 1, 3	252845
				8	4	bolt, M6 x 16	#

# Common Hardware, Obtain Locally  
X Not Sold Separately

# Series 1350

## Group 28 Thermostat

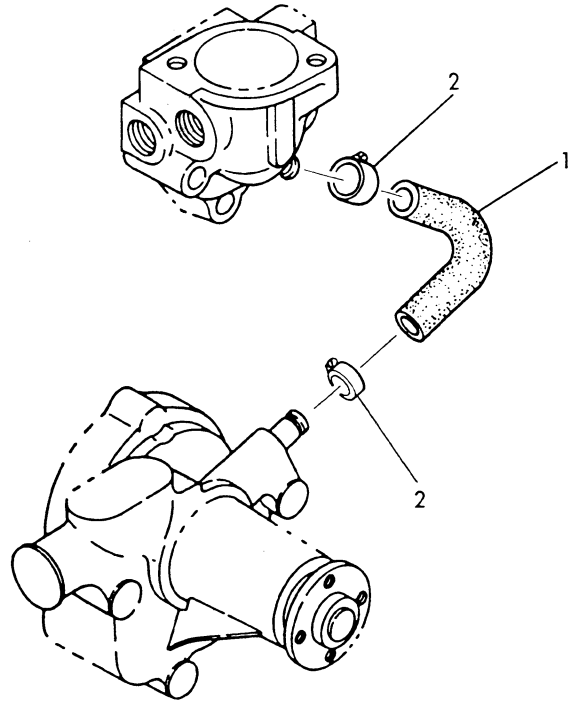


Item	Qty.	Description Variation No.	Part No.	Item	Qty.	Description Variation No.	Part No.
1	1	Cover 1, 3	252895	10	1	Thermostat 1, 3	252846
2	1	Gasket, upper 1, 3	249865	11	1	Gasket, lower 1, 3	252840
3	1	Thermostat Case Assembly 1, 3	252786	1	1	Gasket, lower (Engine S/N 7750 and later)	225006
4	1	Joint, PT 1/8 in. 1, 3	252482	1	1	Gasket, lower (Engine S/N 11545 and later)	225006
5	1	Refer to Item 3 1, 3	X	3	1	Gasket, lower (Engine S/N 11545 and later)	225006
6	1	Gasket, cover 1, 3	252787	12	1	Gasket, case 1, 3	252789
7	1	Cover, thermostat case 1, 3	252788	13	1	Bolt, M8 x 22 1, 3	#
8	1	Plug, PT 3/8 in. 1, 3	250975	14	1	Bolt, M8 x 25 1, 3	#
9	2	Bolt, M6 x 16 1, 3	252709	15	1	Bolt, M8 x 32 1, 3	#
				16	1	Bolt, M8 x 50 1, 3	#
				17	1	Bolt, M8 x 60 1, 3	#

# Common Hardware, Obtain Locally  
X Not Sold Separately

# Series 1350

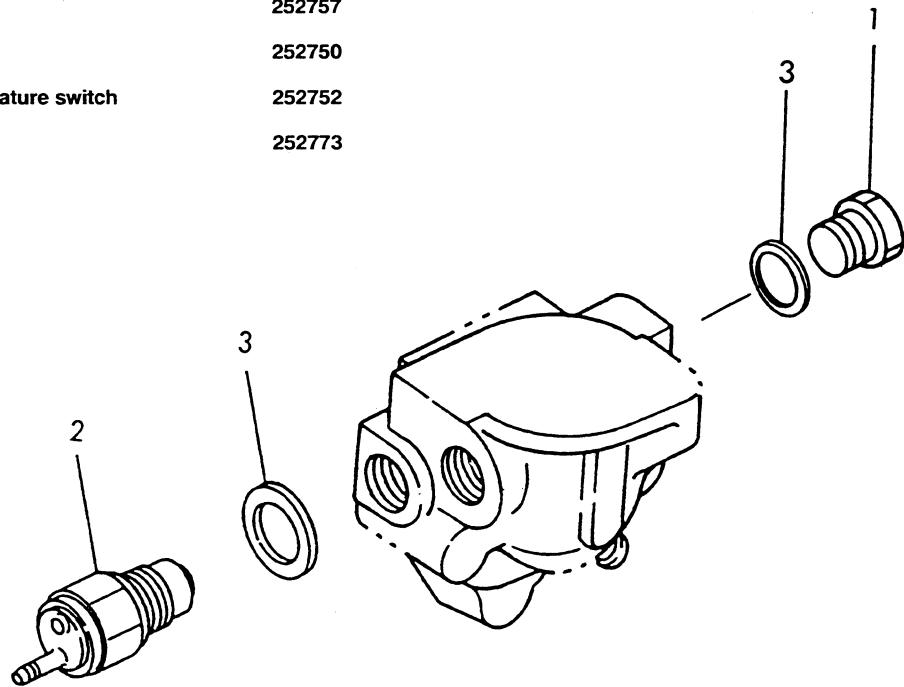
## Group 29 Cooling Water Lines



Item	Qty.	Description Variation No.	Part No.
1	1	Pipe, cooling water by-pass 1, 3	252785
2	2	Hose clamp, 16	#

Item	Qty.	Description Variation No.	Part No.
1	1	Plug 1	252757
	1	Plug 3	252750
2	1	Water temperature switch 1, 3	252752
3	2	Packing, 16 1, 3	252773

## Group 30 Water Temperature Sensor



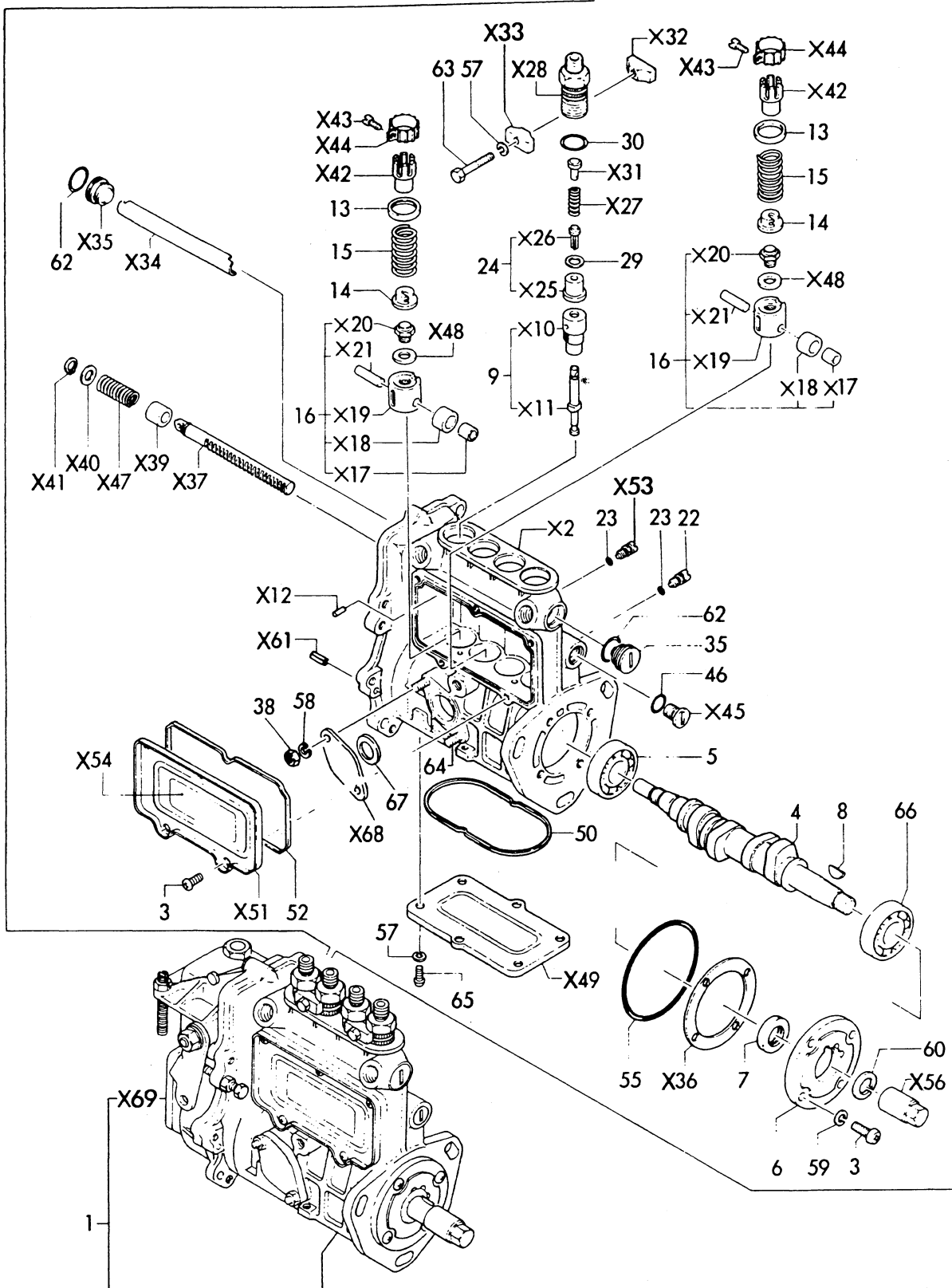
# Common Hardware, Obtain Locally  
X Not Sold Separately

**This page intentionally left blank.**

# Series 1350

## Group 31 Fuel Injection Pump

(For Units with Serial Numbers below 203029)



# Common Hardware, Obtain Locally  
X Not Sold Separately

# Series 1350

## Group 31 Fuel Injection Pump

Note: Governor components are listed in Group 37

(For Units with Serial Numbers below 203029)

(For Units with Serial Numbers above 203028 see page 33)

Item	Qty.	Description Variation No.	Part No.	Item	Qty.	Description Variation No.	Part No.
1	1	Fuel injection pump 1	252991	23	5	O-Ring, S6.0 1	252849
2	1	Refer to Item 1 1	X	24	4	Valve, with seat 1	252770
3	9	Screw, M6 x 16 1	#	25	4	Seat 1	X
4	1	Camshaft 1	252295	26	4	Valve, delivery 1	X
5	1	Roller bearing 1	256527	27	4	Spring, delay valve 1	X
6	1	Retainer 1	256545	28	4	Valve, guard delay 1	X
7	1	Oil Seal 1	256546	29	4	Gasket 1	250839
8	1	Key 1	256528	30	4	O-Ring 1	250840
9	4	Plunger, complete 1	252847	31	4	Stopper, discharge valve 1	X
10	4	Refer to Item 9 1	X	32	4	Locking (A) 1	X
11	4	Refer to Item 9 1	X	33	4	Locking (B) 1	X
12	4	Pin, barrel locking 1	X	34	1	Deflector 1	X
13	4	Retainer 1	252589	35	2	Bolt 1	X
14	4	Seat 1	256536	36	1	Shim set 1	X
15	4	Spring 1	252490	37	1	Rack, control 1	X
16	4	Tappet Assembly 1	252848	38	2	Nut, M6 1	#
17	4	Roller 1	X	39	1	Bush, rack 1	X
18	4	Roller 1	X	40	1	Spacer, aux. spring 1	X
19	4	Guide, roller 1	X	41	1	Circlip 1	X
20	4	Bolt, adjusting 1	X	42	4	Control, pinion 1	X
21	4	Pin, roller 1	X	43	4	Lock, screw 1	X
22	4	Locking, tappet 1	256537	44	4	Clamp 1	X

# Common Hardware, Obtain Locally  
X Not Sold Separately



# Series 1350

## Group 31 Fuel Injection Pump, (continued)

(For Units with Serial Numbers below 203029)

Note: Governor components are listed in Group 37

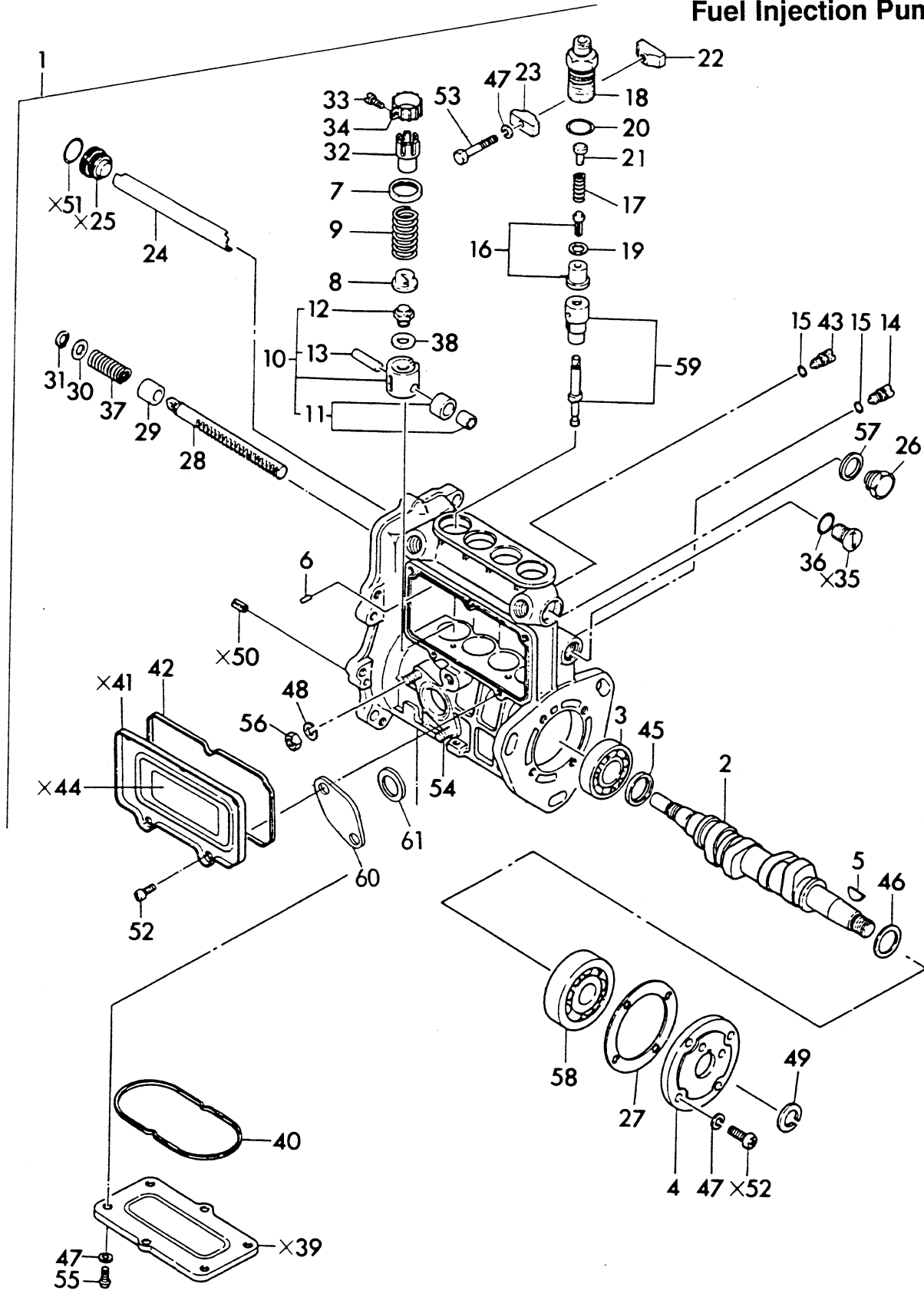
Item	Qty.	Description Variation No.	Part No.	Item	Qty.	Description Variation No.	Part No.
45	1	Plug, rack 1	X	58	2	Spring washer 6 1	#
46	1	O-Ring 1	252850	59	4	Washer 6 1	#
47	1	Spring, rack 1	X	60	1	Washer 12 1	#
48	1	Shim, complete 1	X	61	2	Spring pin, 5 x 10 1	X
49	1	Cover 1	X	62	2	O-Ring, 1A S16.0 1	252686
50	1	Gasket 1	252926	63	2	Bolt, M5 x 30 1	#
51	1	Cover, side 1	X	64	2	Stud, M6 x 14 1	#
52	1	Gasket 1	252927	65	6	Screw, M5 x 10 1	#
53	1	Locking, rack 1	X	66	1	Ball bearing 1	256556
54	1	Label 1	X	67	1	Gasket 1	252851
55	1	O-Ring, pump 1	252764	68	1	Cover, blind 1	X
56	1	Nut 1	X	69	1	Governor Assembly 1	X
57	6	Spring washer 5 1	#				

# Common Hardware, Obtain Locally  
X Not Sold Separately

# Series 1350

(For Units with Serial Numbers above 203028)

## Group 31 Fuel Injection Pump



# Series 1350

## Group 31 Fuel Injection Pump

(For Units with Serial Numbers above 203028)

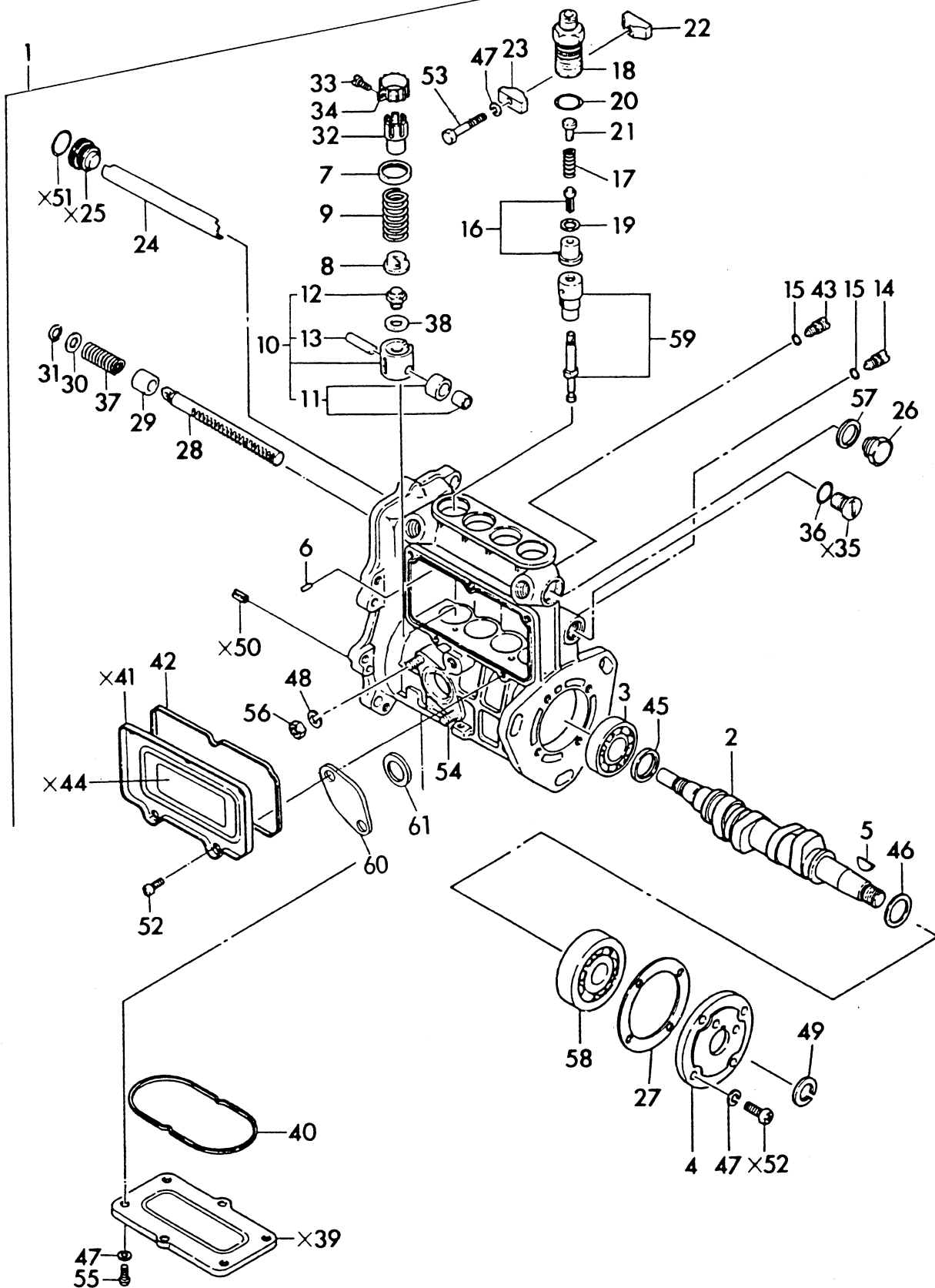
Note: Injection Pump Assembly includes Governor Assembly. See Group 37 for individual governor components.

Item	Qty.	Description Variation No.	Part No.	Item	Qty.	Description Variation No.	Part No.
1	1	Fuel Injection Pump Assy. 1, 2	256720	19	4,3	Gasket 1, 2, 3	250839
	1	Fuel Injection Pump Assy. 3	256804	20	4,3	O-Ring 1, 2, 3	250840
2	1	Camshaft 1, 2	252897	21	4,3	Stopper, valve 1, 2, 3	256725
	1	Camshaft 3	256735	22	2	Locking (A) 1, 2, 3	256726
3	1	Ball bearing, thrust 1, 2, 3	256534	23	2	Locking (B) 1, 2, 3	256727
4	1	Retainer 1, 2, 3	256535	24	1	Deflector 1, 2, 3	256728
5	1	Key 1, 2, 3	256528	25	1	Check Bolt, deflector 1, 2, 3	256778
6	4,3	Pin, barrel locking 1, 2, 3	256721	26	1	Plug 1, 2, 3	256779
7	4,3	Retainer 1, 2, 3	252589	27	1	Packing 1, 2, 3	256729
8	4,	Seat 1, 2	256536	28	1	Rack, control 1, 2, 3	256730
	3	Seat 3	256535	29	1	Bush, rack 1, 2	256731
9	4,3	Spring, plunger 1, 2, 3	252490		1	Bush, rack 3	256780
10	4,3	Tappet Assembly 1, 2, 3	252848	30	1	Spacer, auxiliary spring 1, 2, 3	256694
11	4,3	Roller set 1, 2, 3	252593	31	1	Circlip 1, 2, 3	256695
12	4,3	Bolt, adjusting 1, 2, 3	256722	32	4,3	Pinion, control 1, 2, 3	256696
13	4,3	Pin, roller 1, 2, 3	252588	33	4,3	Screw, pinion 1, 2, 3	256697
14	4,3	Locking, tappet 1, 2, 3	256537	34	4,3	Pinion 1, 2, 3	256698
15	4,3	O-Ring, S6.0 1, 2, 3	252849	35	1	Plug, rack 1, 2, 3	256781
16	4,3	Valve, delivery (w/seat) 1, 2, 3	250849	36	1	O-Ring 1, 2, 3	256695
17	4	Spring, delivery valve 1, 2	256723	37	1	Spring, rack 1, 2, 3	256699
	3	Spring, delivery valve 3	256777	38	3	Shim, complete 1, 2, 3	256700
18	4,3	Valve, guard 1, 2, 3	256724	39	1	Cover 1, 2	X

# Series 1350

(For Units with Serial Numbers above 203028)

## Group 31 Fuel Injection Pump, (continued)



# Series 1350

## Group 31 Fuel Injection Pump, (continued)

(For Units with Serial Numbers above 203028)

Note: Injection Pump Assembly includes Governor Assembly. See Group 37 for individual governor components.

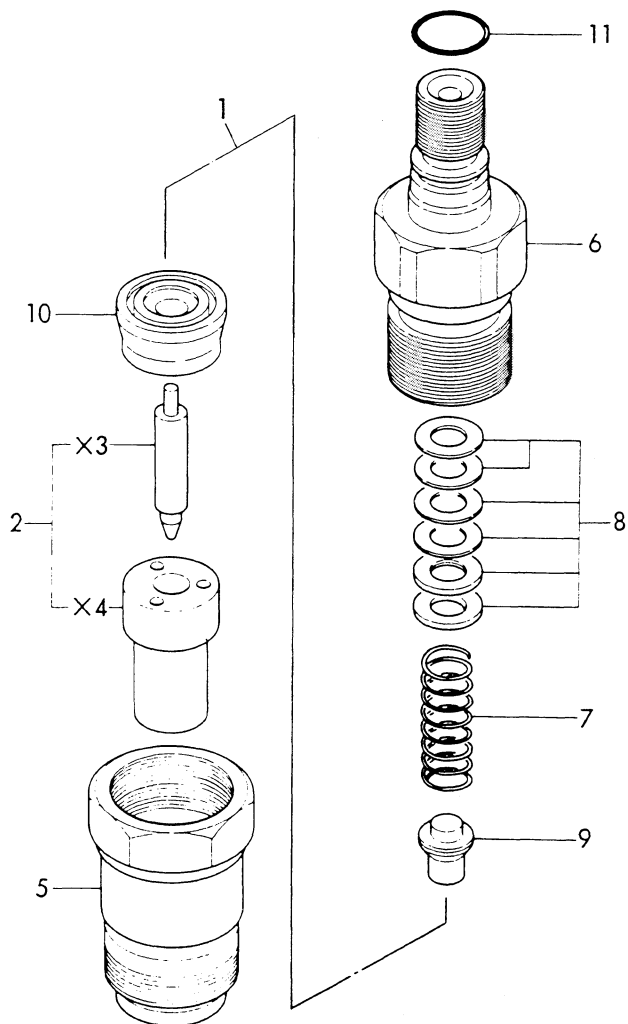
Item	Qty.	Description Variation No.	Part No.	Item	Qty.	Description Variation No.	Part No.
39	1	Cover 3	256782	56	2	Nut, 6 1, 2, 3	#
40	1	Gasket 1,2	252926	57	1	Seal washer, 16 1, 2, 3	256663
	1	Gasket 3	256783	58	1	Ball bearing 1, 2	256556
41	1	Cover, side 1, 2	X		1	Ball bearing 3	256794
	1	Side Cover, body 3	256784	59	1	Plunger Assembly 1, 2, 3	252864
42	1	Gasket 1, 2	252927	60	1	Cover 3	256775
	1	Gasket 3	256785	61	1	Gasket 3	252851
43	1	Locking, rack 1, 2, 3	256701				
44	1	Label 1, 2, 3	X				
45	1	Spacer 1, 2, 3	256702				
46	1	Spacer 1, 2, 3	256703				
47	8	Spring washer 5 1, 2, 3	#				
48	2	Spring washer 6 1, 2, 3	#				
49	1	Washer 12 1, 2, 3	256704				
50	2	Spring pin, 5 x 10 1, 2, 3	X				
51	1	O-Ring, 1A 516.0 1, 2, 3	252686				
52	9	Screw, M6 x 16 1, 2	#				
	4	Screw, M5 x 10 3	#				
53	2	Bolt, M5 x 30 1, 2, 3	#				
54	2	Stud, M6 x 14 1, 2	256519				
	2	Stud, M6 x 16 3	256776				
55	6	Screw, M5 x 10 1, 2, 3	#				

# Common Hardware, Obtain Locally  
X Not Sold Separately

# Series 1350

## Group 32 Fuel Injection Valve

(For Units with Serial Numbers below 203029)



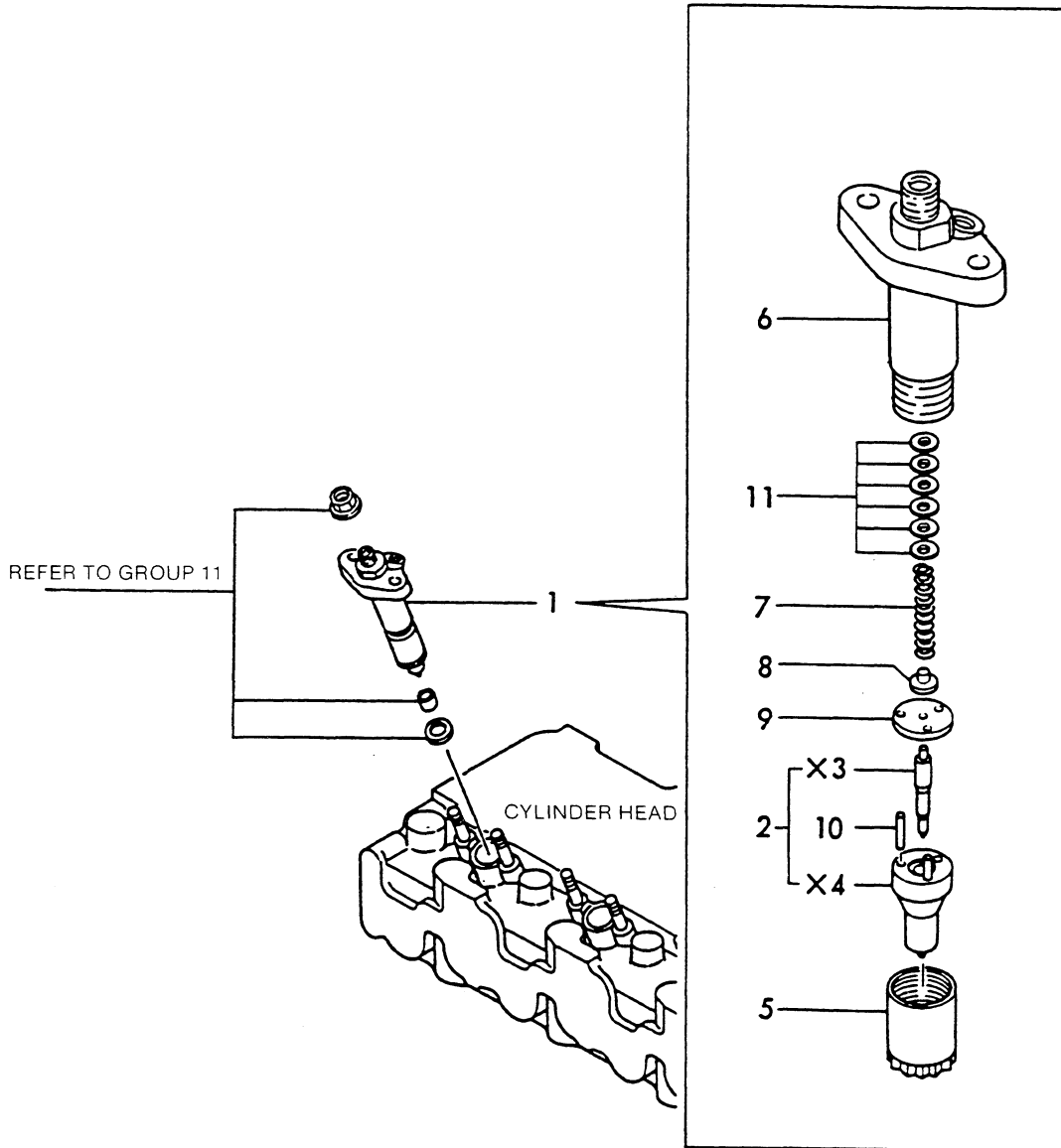
Item	Qty.	Description Variation No.	Part No.	Item	Qty.	Description Variation No.	Part No.
1	4	Fuel Injection valve 1	252982	6	4	Holder, nozzle 1	256538
2	4	Valve, with case 1	250841	7	4	Spring, nozzle 1	256539
3	4	Valve 1	X	8	4	Shim set 1	256529
4	4	Body, valve case 1	X	9	4	Seat 1	256552
5	4	Holder, valve 1	256551	10	4	Spacer, valve stop 1	256557
				11	4	O-Ring, S10 1	252856

# Common Hardware, Obtain Locally  
X Not Sold Separately

# Series 1350

## Group 32 Fuel Injection Valve

(For Units with Serial Numbers above 203028)

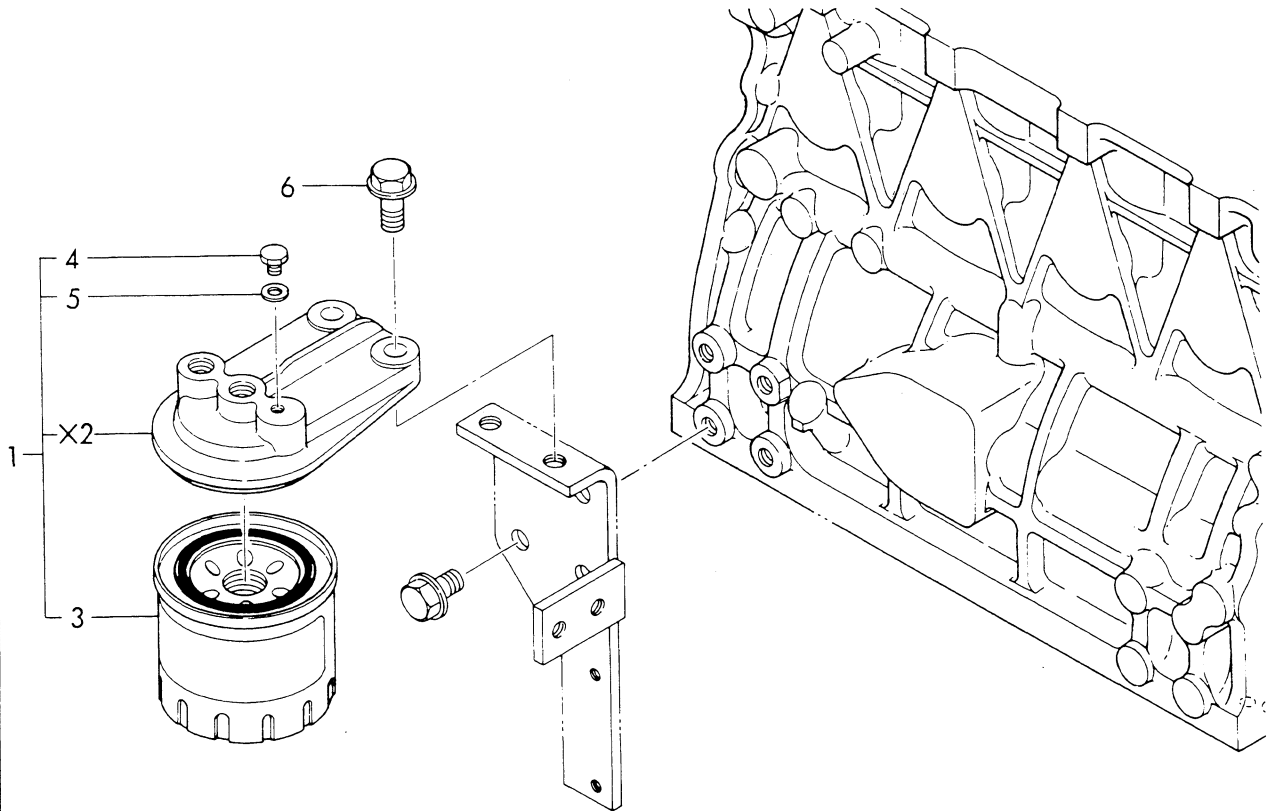


Item	Qty.	Description Variation No.	Part No.	Item	Qty.	Description Variation No.	Part No.
1	4	Fuel Injection valve 1, 2	256705	6	4,3	Holder 1, 2, 3	256706
	3	Fuel injection valve 3	256800	7	4,3	Spring 1, 2, 3	256521
2	4,3	Valve, with body 1, 2, 3	252746	8	4,3	Seat, spring 1, 2, 3	256522
3	4,3	Valve 1, 2, 3	X	9	4,3	Stop plate 1, 2, 3	256523
4	4,3	Body, valve 1, 2, 3	X	10	8,6	Pin 1, 2, 3	256707
5	4,3	Nut, cap 1, 2, 3	256520	11	4,3	Shim set 1, 2, 3	256524

# Common Hardware, Obtain Locally  
X Not Sold Separately

# Series 1350

## Group 33 Fuel Strainer



Item	Qty.	Description Variation No.	Part No.	Item	Qty.	Description Variation No.	Part No.
1	1	Fuel Strainer Assembly 1, 3	256526	4	1	Plug, M6 1, 3	252081
2	1	Strainer body 1, 3	X	5	1	Seal washer, 6 1, 3	250994
3	1	Fuel filter 1, 3	252765	6	2	Bolt, M10 x 20 1, 3	#

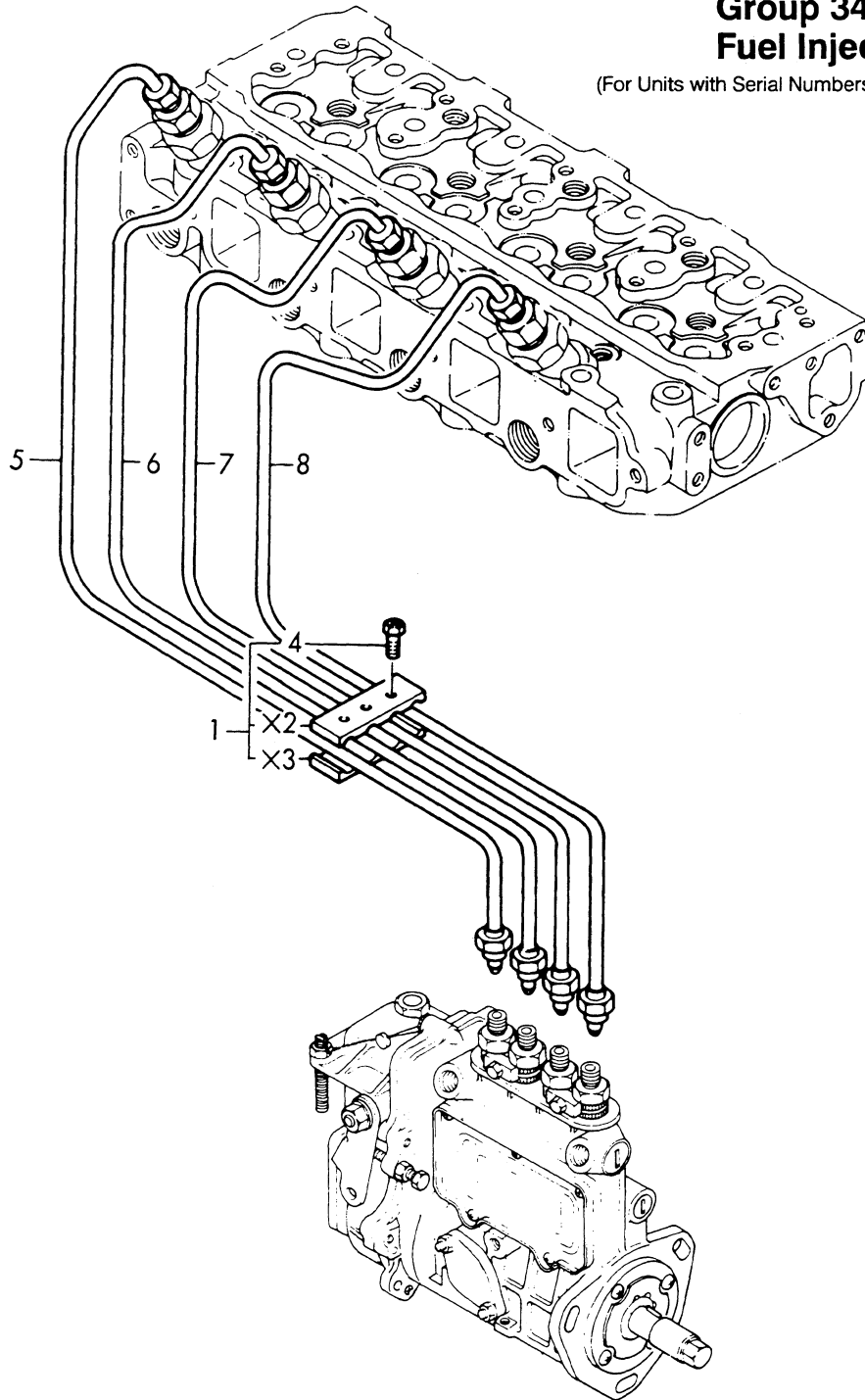
# Common Hardware, Obtain Locally  
X Not Sold Separately

**This page intentionally left blank.**

# Series 1350

## Group 34 Fuel Injection Lines

(For Units with Serial Numbers below 203029)



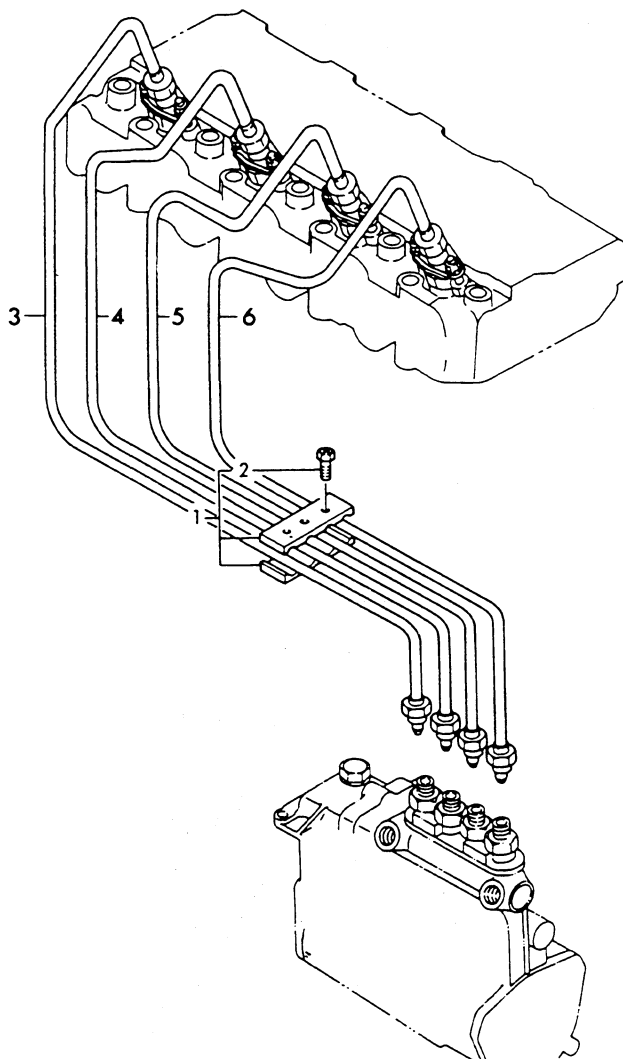
Item	Qty.	Description Variation No.	Part No.	Item	Qty.	Description Variation No.	Part No.
1	1	Retainer 1	X	5	1	Pipe, fuel injection 1	252964
2	1	Refer to Item 1 1	X	6	1	Pipe, fuel injection 1	252965
3	1	Refer to Item 1 1	X	7	1	Pipe, fuel injection 1	252966
4	2	Bolt, M4 x 12 1	#	8	1	Pipe, fuel injection 1	252967

# Common Hardware, Obtain Locally  
X Not Sold Separately

# Series 1350

## Group 34 Fuel Injection Lines

(For Units with Serial Numbers above 203028)  
4-cylinder shown

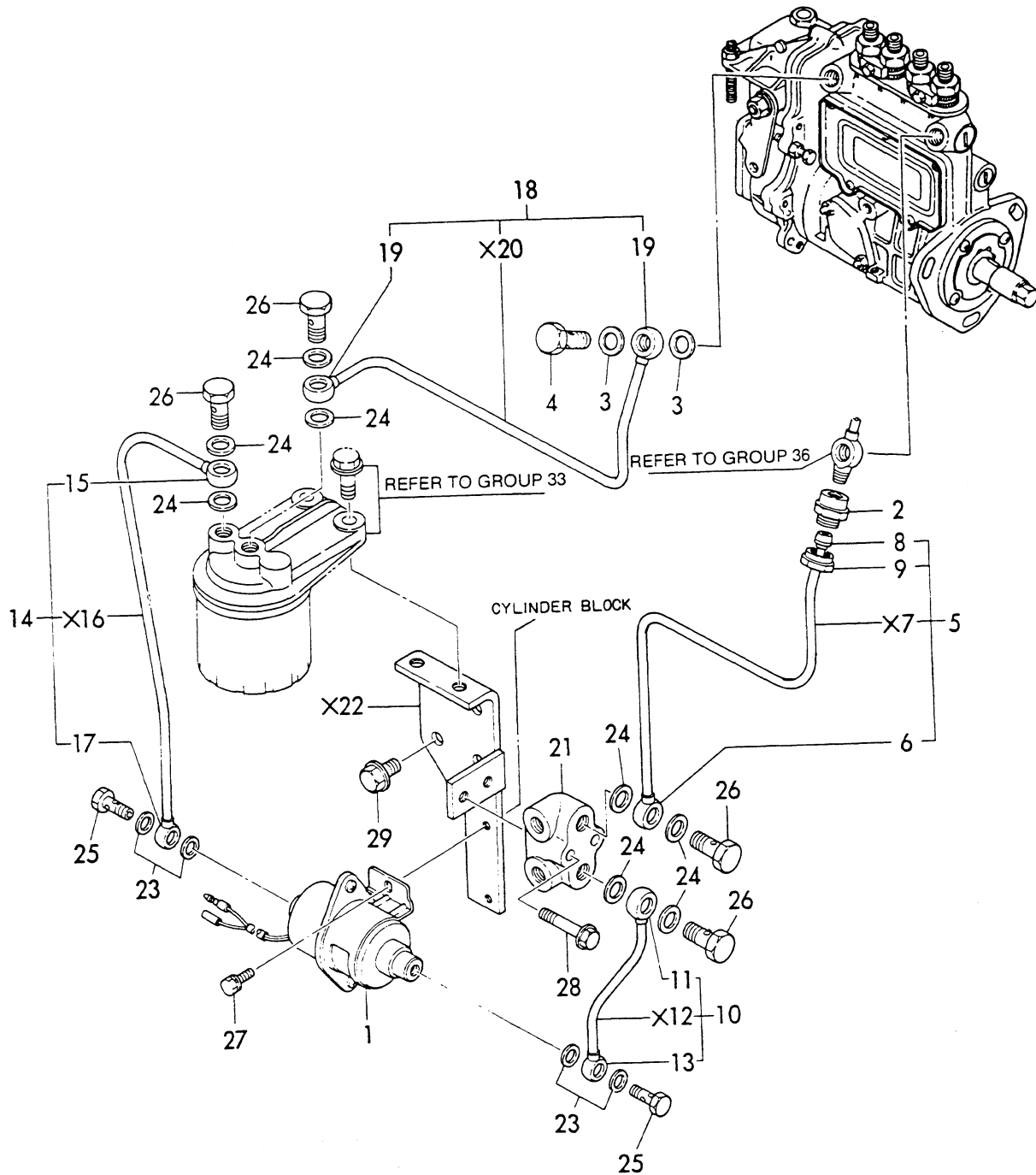


Item	Qty.	Description Variation No.	Part No.	Item	Qty.	Description Variation No.	Part No.
1	1	Retainer 1, 2	256708	5	1	Pipe, fuel injection cyl. 2 1, 2	256711
	1	Retainer 3	256774		1	Pipe, fuel injection cyl. 2 3	256757
2	2	Bolt, M4 x 12 1, 2, 3	#	6	1	Pipe, fuel injection cyl. 1 1, 2	256712
3	1	Pipe, fuel injection cyl. 4 1, 2	256709		1	Pipe, fuel injection cyl. 1 3	256756
4	1	Pipe, fuel injection cyl. 3 1, 2	256710				
	1	Pipe, fuel injection cyl. 3 3	256758				

# Common Hardware, Obtain Locally  
X Not Sold Separately

# Series 1350

## Group 35 Fuel Lines



Parts are pictured for reference only.  
Actual parts may differ in appearance.

# Series 1350

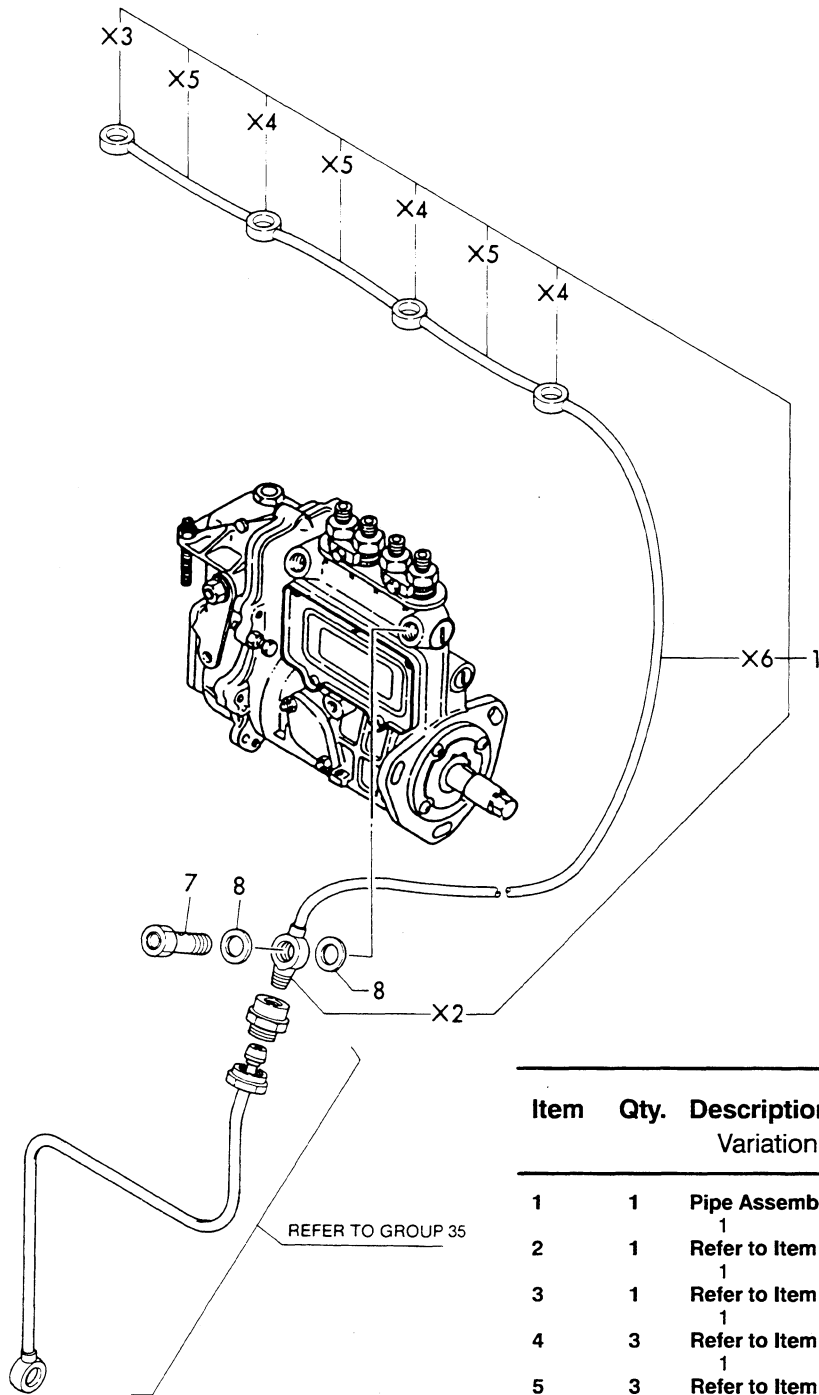
## Group 35 Fuel Lines

Item	Qty.	Description Variation No.	Part No.	Item	Qty.	Description Variation No.	Part No.
1	1	Electric fuel Pump Assembly 1, 3	252775	16	1	Refer to Item 14 1, 3	X
2	1	Union 1, 3	252957	17	1	Joint, pipe 1	252772
3	2	Gasket 1, 3		18	1	Pipe Assembly 1	252961
4	1	Bolt 12 with plug 1, 3	250996		1	Pipe Assembly 3	256790
5	1	Pipe Assembly 1	252958	19	1	Joint, pipe 1	252738
	1	Pipe Assembly 3	256789	20	1	Refer to Item 18 1, 3	X
6	1	Joint, pipe 1	252738	21	1	Block 1, 3	252963
7	1	Refer to Item 5 1	X	22	1	Support 1, 3	X
8	1	Joint 8 1	252764	23	4	Gasket 8 1, 3	252356
9	1	Cap nut, M8 1	252676	24	8	Gasket 12 1, 3	250969
10	1	Pipe Assembly 1, 3	252959	25	2	Joint bolt 3 1, 3	252677
11	1	Joint, pipe 1	252738	26	4	Pipe joint bolt 6 1, 3	250972
12	1	Refer to Item 10 1, 3	x	27	2	Bolt, M6 x 14 1, 3	#
13	1	Joint, pipe 1	252772	28	2	Bolt, M8 x 40 1, 3	#
14	1	Pipe Assembly 1, 3	252960	29	3	Bolt, M10 x 16 1, 3	#
15	1	Joint, pipe 1	252738				

# Series 1350

## Group 36 Fuel Return Lines

(For Units with Serial Numbers below 203029)

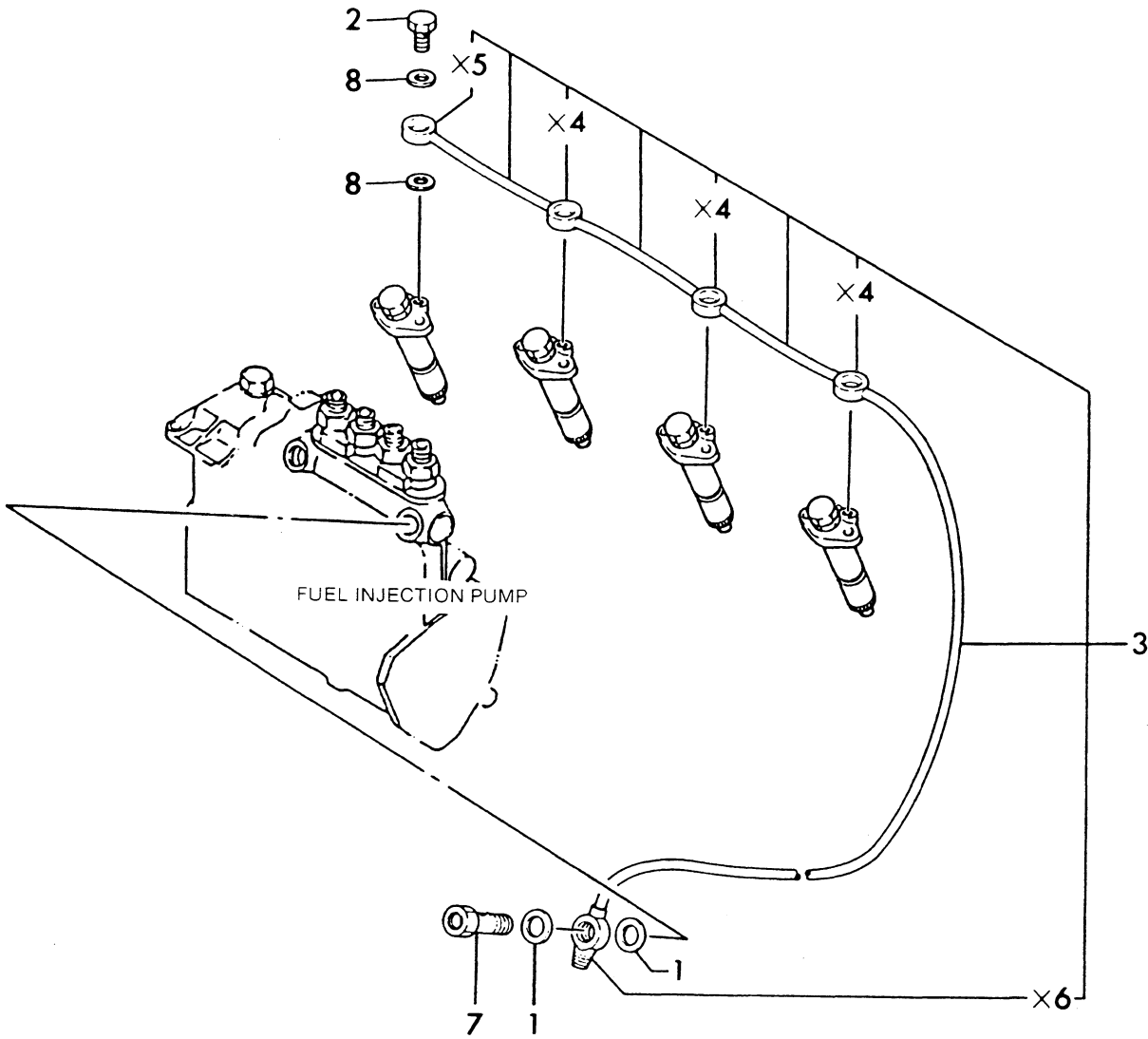


Item	Qty.	Description Variation No.	Part No.
1	1	Pipe Assembly	252962
2	1	Refer to Item 1	X
3	1	Refer to Item 1	X
4	3	Refer to Item 1	X
5	3	Refer to Item 1	X
6	1	Refer to Item 1	X
7	1	Check Valve Assembly	252972
8	2	Gasket 12	250969

# Series 1350

## Group 36 Fuel Return Lines

(For Models with Serial Numbers above 203028)

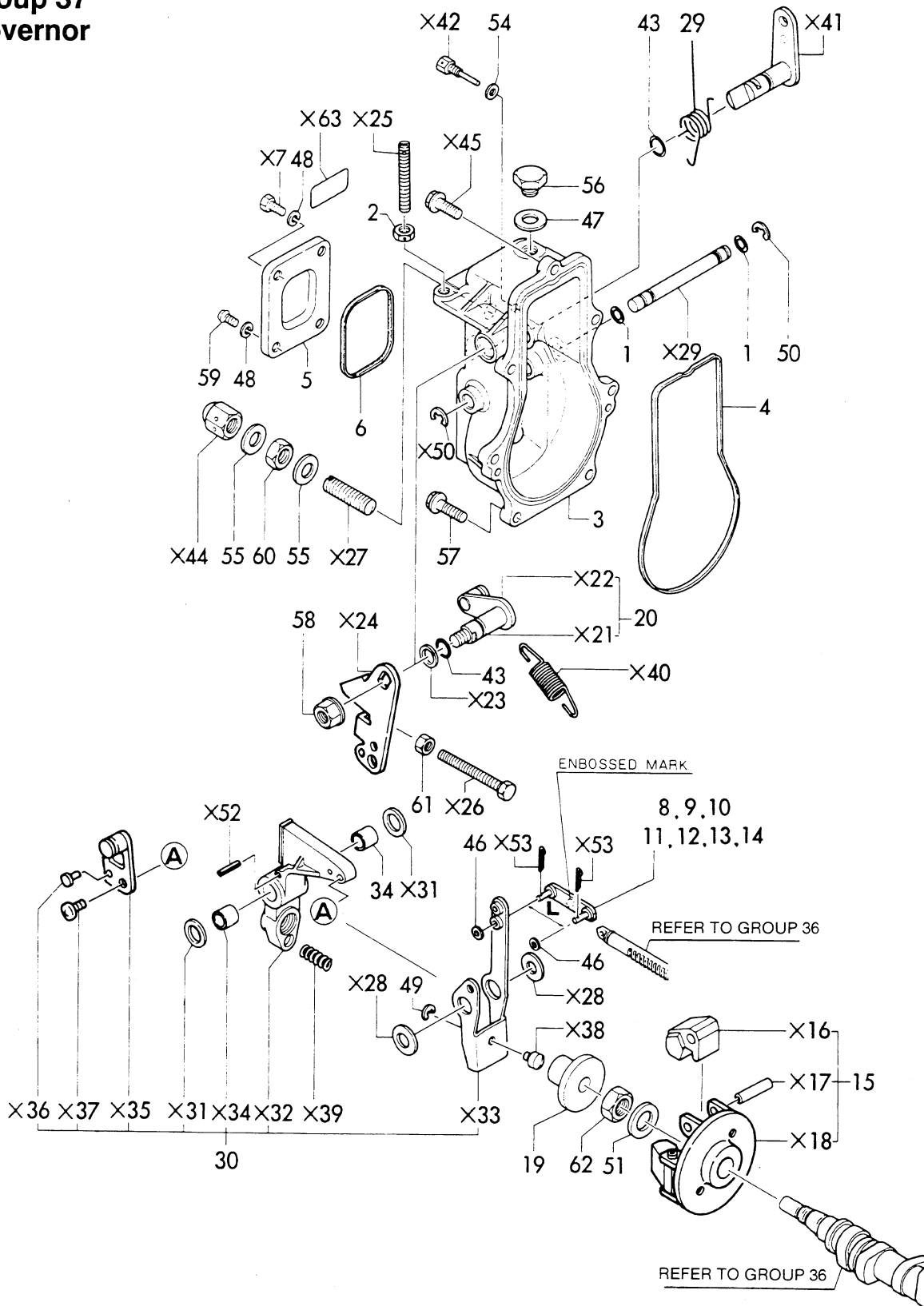


Item	Qty.	Description Variation No.	Part No.	Item	Qty.	Description Variation No.	Part No.
1	4, 3	Gasket, 12 1, 2, 3	252739	5	1	Joint, pipe 1, 2, 3	X
2	4,3	Joint, bolt 6 1, 2, 3	256713	6	1	Joint, pipe 1, 2, 3	X
3	1	Pipe Assembly 1, 2	256714	7	1	Check Valve Assembly 1, 2, 3	252792
	1	Pipe Assembly 3	256791	8	8,6	Gasket 6, copper 1, 2, 3	252355
4	3	Joint, pipe 1, 2, 3	X				

# Common Hardware, Obtain Locally  
X Not Sold Separately

# Series 1350

## Group 37 Governor



# Common Hardware, Obtain Locally  
X Not Sold Separately

# Series 1350

## Group 37 Governor

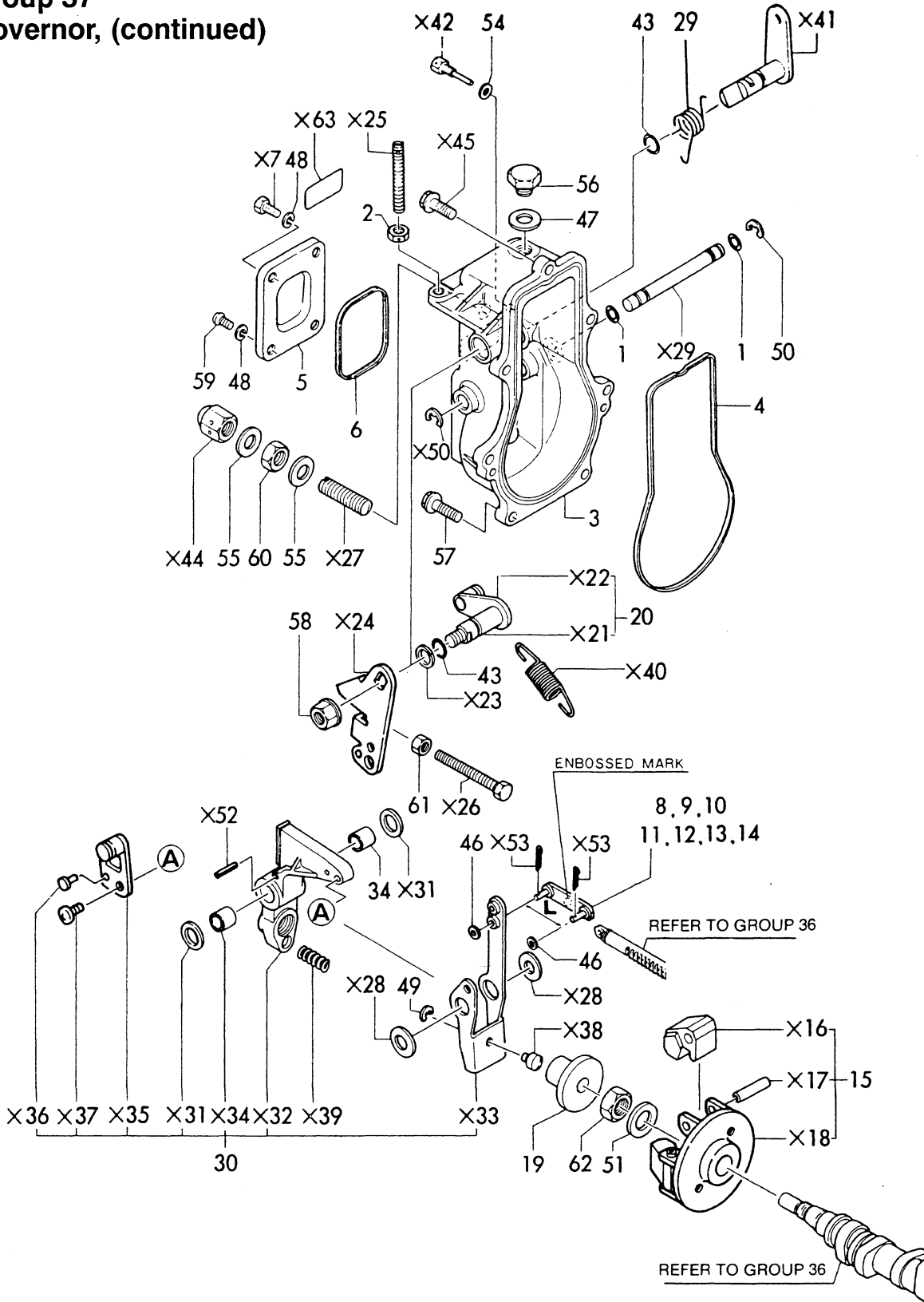
Note: governor assembly available through purchase of fuel injection pump, Group 31

Item	Qty.	Description Variation No.	Part No.	Item	Qty.	Description Variation No.	Part No.
1	2	O-Ring, S6.0 1, 3	252849	22	1	Refer to Item 20 1, 3	X
2	1	Lock nut 1, 3	#	23	1	Spacer, shaft 1, 3	X
3	1	Housing, governor 1	252852	24	1	Lever, control 1, 3	X
	1	Housing, governor 3	256786	25	1	Bolt, rev. limiting 1, 3	X
4	1	Gasket, case 1, 3	252853	26	1	Bolt, idle limit 1, 3	X
5	1	Cover, governor case 1, 3	252854	27	1	Bolt, fuel limit 1, 3	X
6	1	Gasket, case cover 1, 3	252855	28	2	Spacer 1, 3	X
7	1	Bolt, cover 1, 3	X	29	1	Shaft, governor lever 1, 3	X
8	1	Link, L28 1	256562	30	1	Governor Lever Assembly 1, 3	252795
9	1	Link, L29 1	256563	31	2	Shim 1, 3	X
10	1	Link, L30 1, 3	256565	32	1	refer to Item 30 1, 3	X
11	1	Link, L31 1, 3	256558	33	1	Lever, governor 1, 3	X
12	1	Link, L32 1, 3	256559	34	2	Bush 1, 3	X
13	1	Link, L33 1	256560	35	1	Refer to Item 30 1, 3	X
14	1	Link, L34 1	256561	36	1	Refer to Item 30 1, 3	X
15	1	Weight Assembly 1, 3	252974	37	1	Refer to Item 30 1, 3	X
16	3	Weight, governor 1, 3	X	38	1	Shifter 1, 3	X
17	3	Shaft, weight 1, 3	X	39	1	Spring, fuel control 1, 3	X
18	1	Refer to Item 15 1, 3	X	40	1	Spring 1, 3	X
19	1	Sleeve 1, 3	X	41	1	Lever 1, 3	X
20	1	Control Shaft Assembly 1, 3	252794	42	1	Pin, stop lever 1, 3	X
21	1	Shaft 1, 3	X	43	3	O-Ring, S10 1, 3	252856

# Common Hardware, Obtain Locally  
X Not Sold Separately

# Series 1350

## Group 37 Governor, (continued)



# Common Hardware, Obtain Locally  
X Not Sold Separately

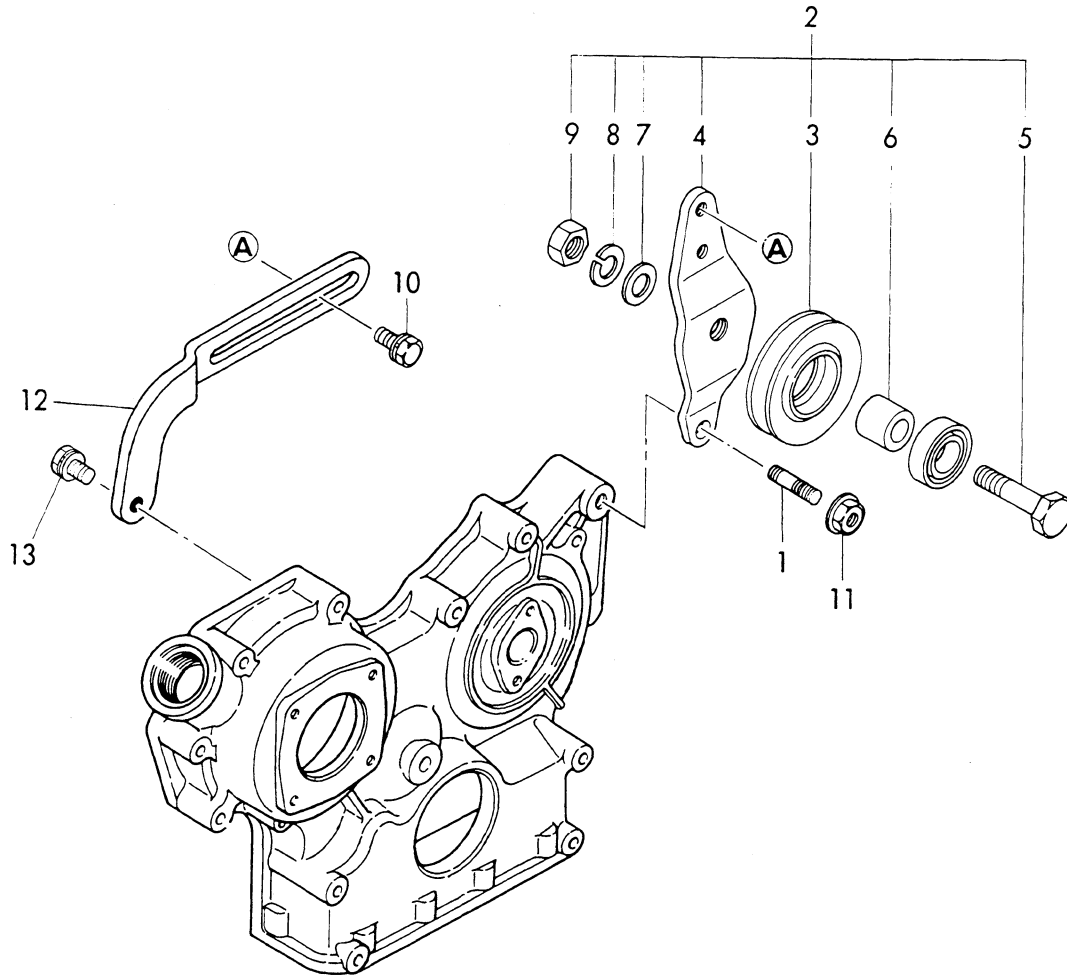
# Series 1350

Item	Qty.	Description Variation No.	Part No.	Item	Qty.	Description Variation No.	Part No.
44	1	Cap nut 1, 3	X	55	2	Seal washer 12 1, 3	252367
45	1	Bolt, washer based 1, 3	X	56	1	Plug 10 1, 3	256517
46	2	Washer 6 1, 3	#	57	6	Bolt, M6 x 20 1, 3	#
47	1	Seal washer 10 1, 3	#	58	1	U-Nut, M8 1, 3	#
48	4	Spring washer 5 1, 3	#	59	3	Screw, M5 x 10 1, 3	#
49	1	Circlip, E4 1, 3	#	60	1	Lock nut, M12 1, 3	#
50	2	Circlip, E6 1, 3	#	61	2	Lock nut, M6 1, 3	#
51	1	Washer 12 1, 3	#	62	1	Lock nut, M12 1, 3	#
52	1	Spring pin 1, 3	X	63	1	Label 1, 3	X
53	2	Snap pin 5 1, 3	X	64	1	Spring, return 3	256759
54	1	Gasket 5 1, 3	250994				

# Common Hardware, Obtain Locally  
X Not Sold Separately

# Series 1350

## Group 39 Tension Pulley



Item	Qty.	Description Variation No.	Part No.	Item	Qty.	Description Variation No.	Part No.
1	1	Stud	252756	8	1	Spring washer 12	#
2	1	Pulley Assembly	252946	9	1	Nut, M12	#
3	1	Pulley	252945	10	1	Bolt, M8 x 25	#
4	1	Bracket	252947	11	1	U-Nut, M10	#
5	1	Bolt	252948	12	1	Adjuster	252796
6	1	Spacer	252949	13	1	Bolt, M8 x 25	#
7	1	Washer 12	#				

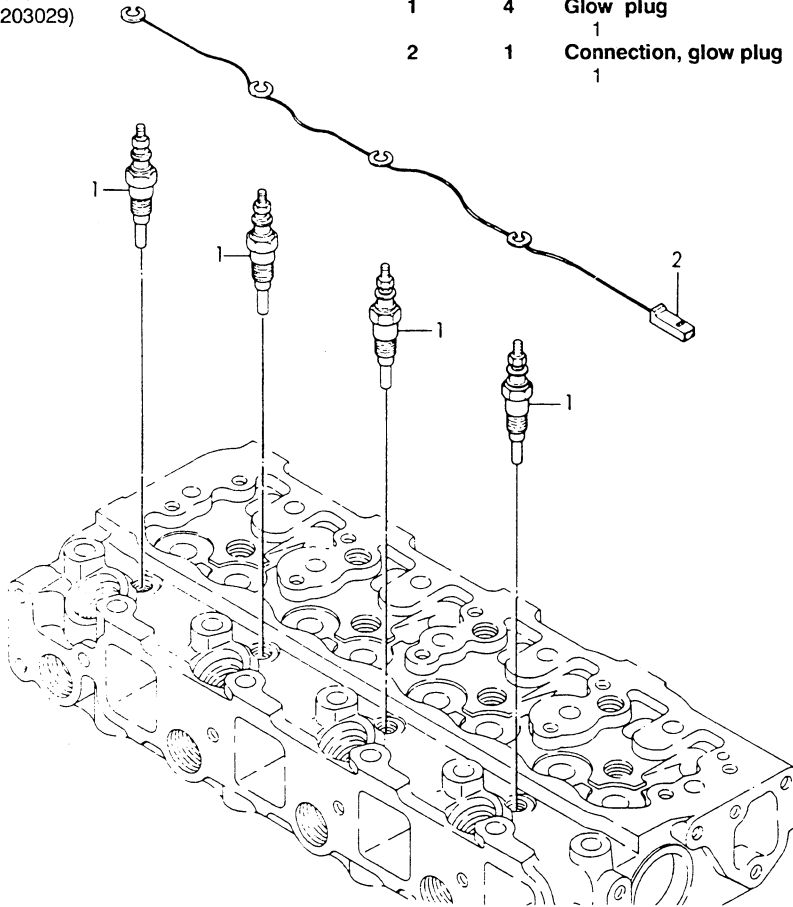
# Common Hardware, Obtain Locally  
X Not Sold Separately

# Series 1350

## Group 40 Glow Plugs

(For Units with Serial  
Numbers below 203029)

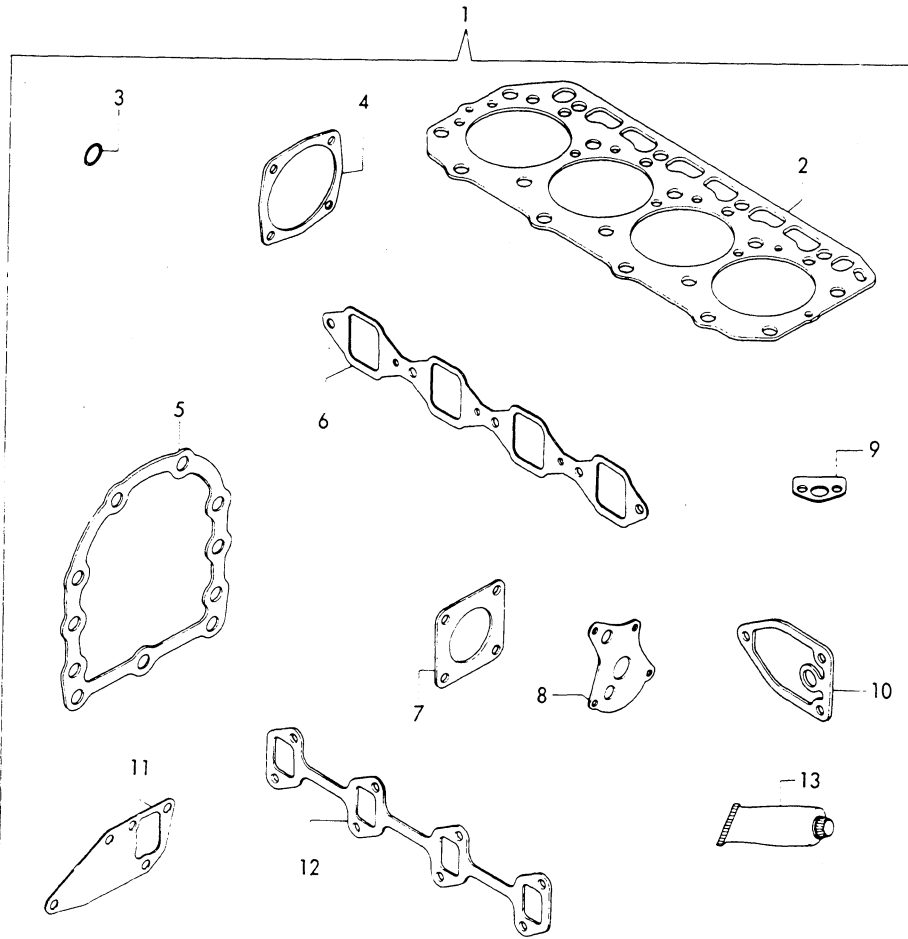
Item	Qty.	Description	Part No.
Variation No.			
1	4	Glow plug	252940
2	1	Connection, glow plug	252928
		1	



# Common Hardware, Obtain Locally  
X Not Sold Separately

# Series 1350

## Group 41 Gasket Set

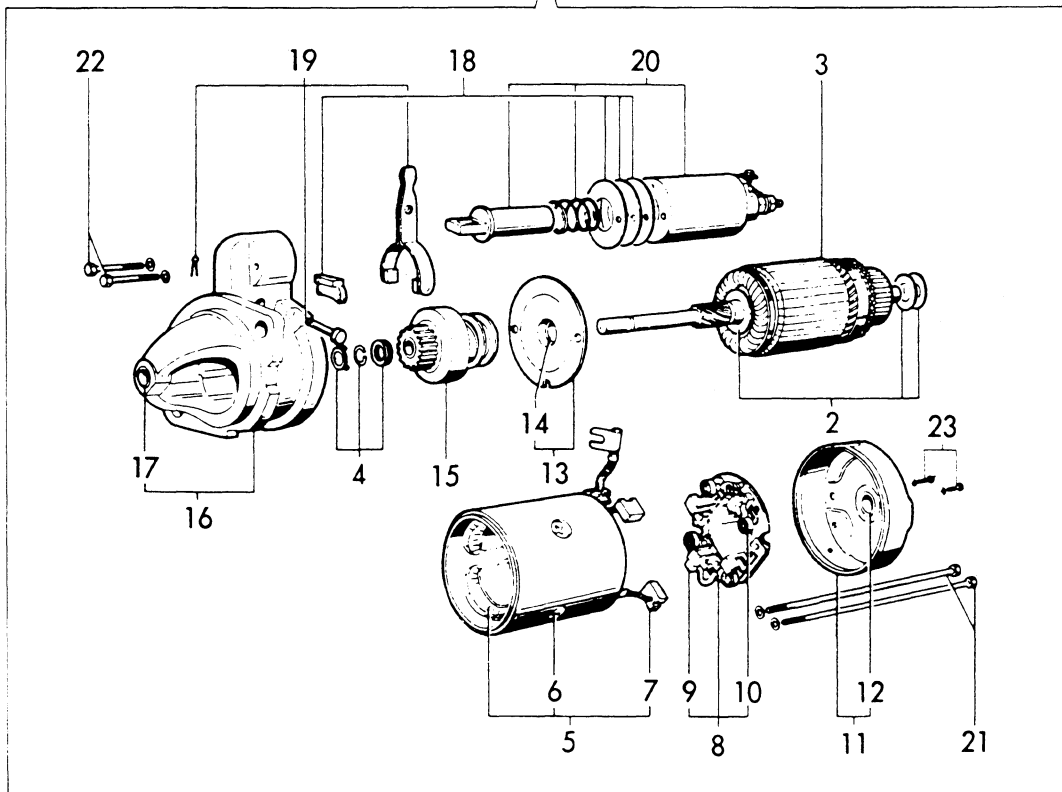
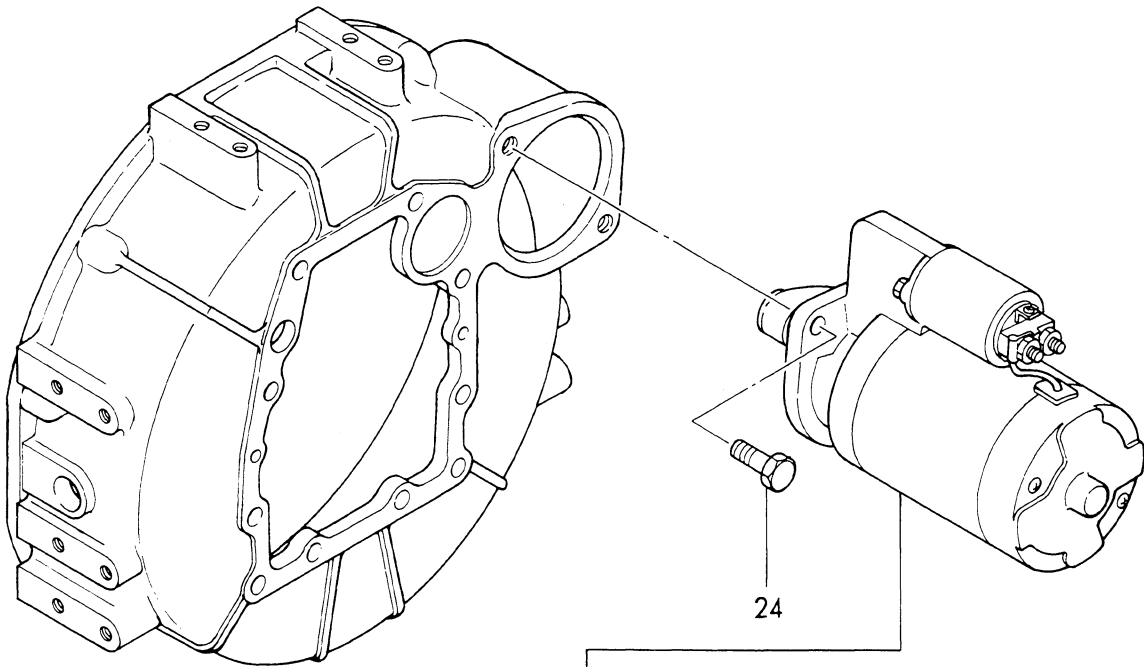


Item	Qty.	Description Variation No.	Part No.	Item	Qty.	Description Variation No.	Part No.
1	1	Gasket set 1	252986	8	1	Gasket 1, 3	252829
	1	Gasket set 3	256810	9	1	Gasket 1, 3	252830
2	1	Gasket, cylinder head 1	252865	10	1	Gasket 1, 3	252833
	1	Gasket, cylinder head 3	256788	11	1	Gasket, water pump 1, 3	252784
3	2	O-Ring, 1A P16.0 1	250981	12	1	Gasket, exhaust manifold 1	252916
	2	Gasket 1, 3	252085		1	Gasket, exhaust manifold 3	256770
5	1	Gasket, housing 1, 3	252801	13	1	Liquid gasket 1, 3	252998
6	1	Gasket, intake manifold 1	252915	14	1	Gasket, valve cover 1	252914
	1	Gasket, intake manifold 3	256769		1	Gasket, valve cover 3	256767
7	1	Gasket 1	252863				
	1	Gasket 3	252842				

**This page intentionally left blank.**

# Series 1350

## Group 42 Starter Motor



# Common Hardware, Obtain Locally  
X Not Sold Separately

# Series 1350

## Group 42 Starter Motor

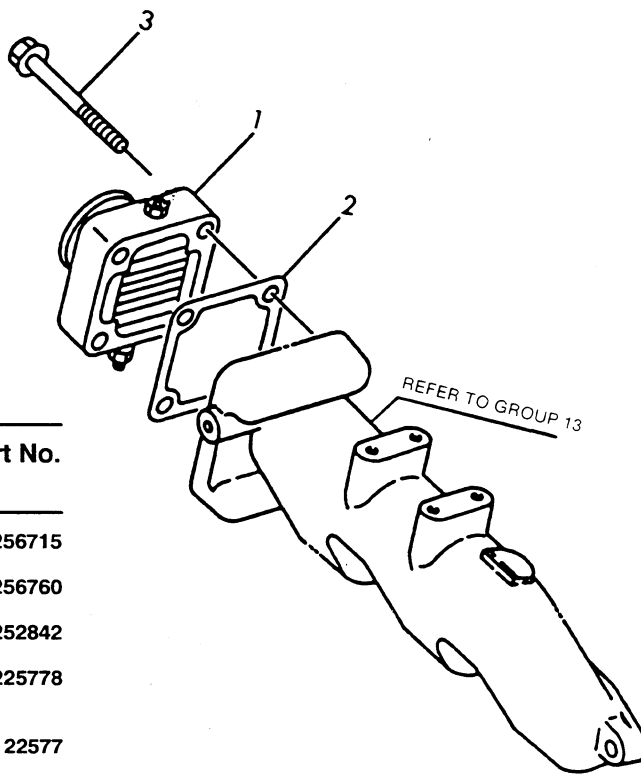
Item	Qty.	Description Variation No.	Part No.	Item	Qty.	Description Variation No.	Part No.
1	1	Starter Motor 1, 3	250901	13	1	Center Bearing Assembly 1	252648
2	1	Thrust washer kit 1, 3	252637		1	Center Bearing Assembly 3	256742
3	1	Armature assembly 1, 3	252650	14	1	Refer to Item 13 1, 3	X
4	1	Pinion stopper set 1	252636	15	1	Pinion Assembly 1	252651
	1	Pinion stopper set 3	256737		1	Pinion Assembly 3	256743
5	1	Field Coil Assembly 1	252643	16	1	Gear Case Assembly 1	252639
	1	Field Coil Assembly 3	256738		1	Gear Case Assembly 3	256744
6	4	Screw 1, 3	X	17	1	Refer to Item 16 1, 3	X
7	2	Brush (+) 1	250920	18	1	Dust cover set 1	252641
	2	Brush (+) 3	256739		1	Dust cover set 3	256745
8	1	Brush Holder Assembly 1	256511	19	1	Shift lever set	252638
	1	Brush Holder Assembly 3	252647		1	Shift lever set 3	256746
9	2	Brush 1	250919	20	1	Magnet Switch Assembly (starter solenoid) 1	252642
	2	Brush 3	256740		1	Magnet Switch Assembly (starter solenoid) 3	256747
10	4	Brush spring 1	250918	21	2	Thru bolt 1, 3	252646
	4	Brush spring 3	256741	22	2	Bolt, M4 x 12 1, 3	#
11	1	Rear Cover Assembly 1, 3	252649	23	2	Bolt, M4 x 12 1, 3	#
12	1	Refer to Item 11 1, 3	X	24	2	Bolt, M12 x 25 1, 3	#

# Common Hardware, Obtain Locally  
X Not Sold Separately

# Series 1350

## Group 43 Air Heater

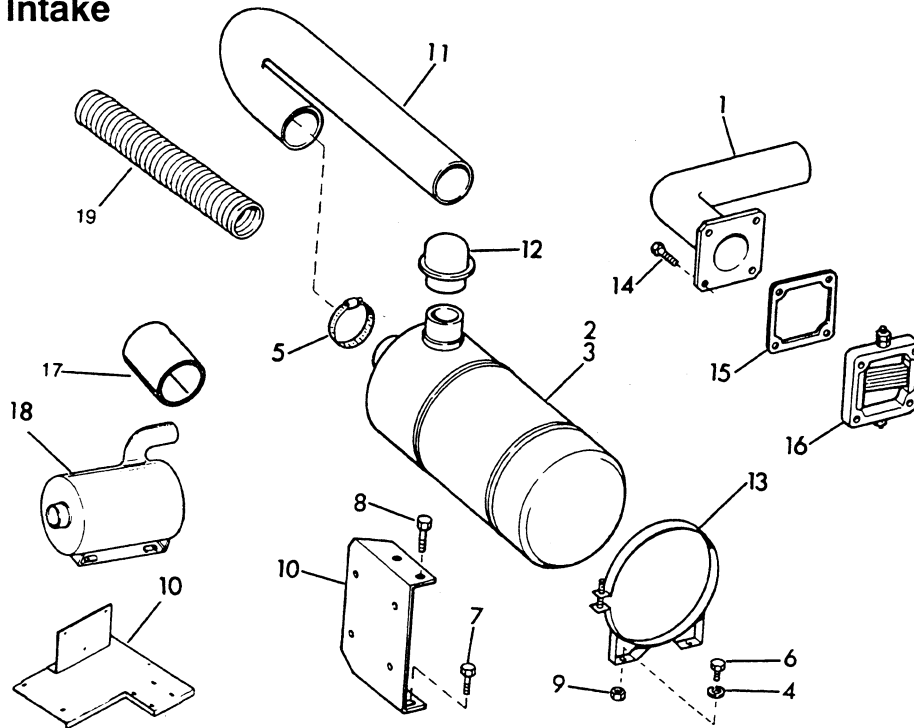
(For Units with Serial Numbers above 203028)



Item	Qty.	Description Variation No.	Part No.
1	1	Heater, air intake 1	256715
	1	Heater, air intake 3	256760
2	1	Gasket, heater 1, 3	252842
	1	Gasket, heater (Engine S/N 7750 and later) 1	225778
	1	Gasket, heater (Engine S/N 11545 and later) 3	22577
3	4	Bolt, M8 x 35 1, 3	#

# Series 1350

## Group 101 Air Intake

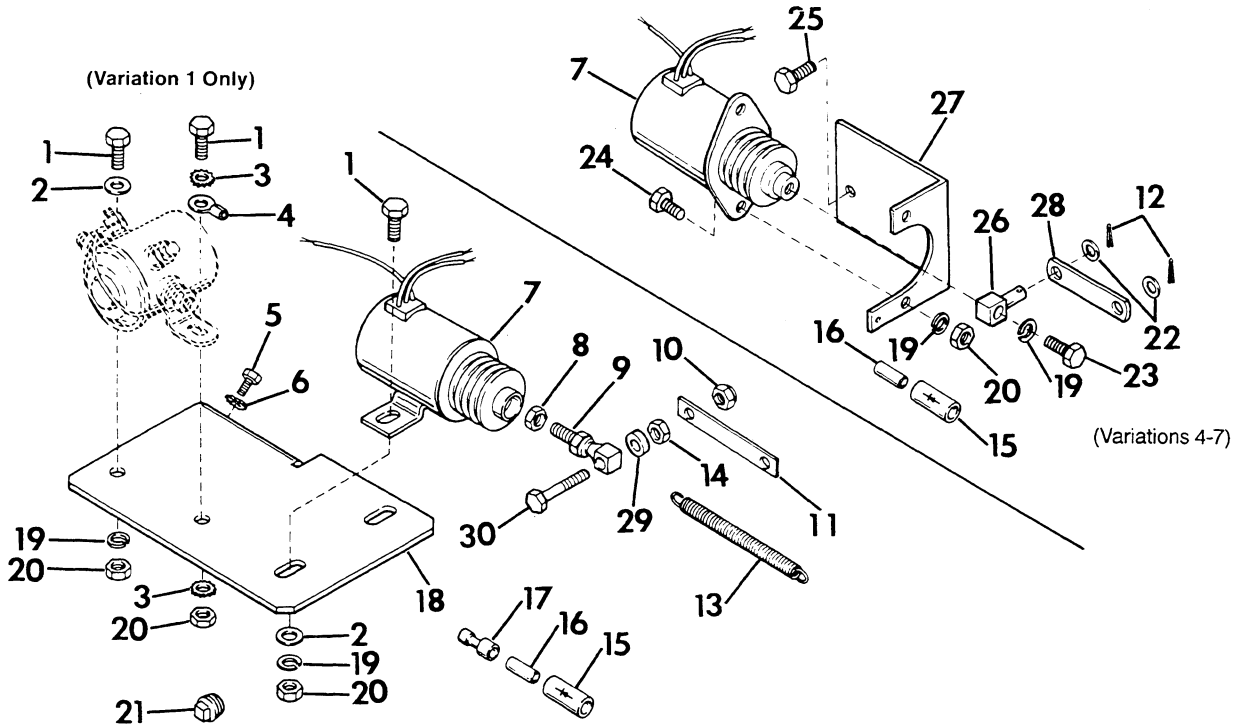


Item	Qty.	Description Variation No.	Part No.	Item	Qty.	Description Variation No.	Part No.
1	1	Adapter, air intake 1	258677	11	1	Hose, air intake 5	X-581-14
	1	Adapter, air intake 3	258736		1	Hose, air intake 2, 6, 7	249994
2	1	Cleaner, air (includes element) 101, 2, 5, 6	A-258643	12	1	Head, air inlet 2, 6	258707
	1	Cleaner, air (includes element) 7	A-258576		1	Head, air inlet 7	258563
3	1	Element, air cleaner (not shown) 101, 2, 5, 6	258646	13	2	Band, mounting 2, 5, 6	258708
	1	Element, air cleaner (not shown)	258577		2	Band, mounting 7	258564
4	4	Washer, lock 1/4 in. 2, 5, 6, 7	#	14	4	Screw, HC 3	X-6050-2
5	2,4	Clamp, hose 2-1/2 in. 2, 5, 6, 7	#		4	Screw, HC 7	X-6050-3
6	4	Screw, HC 1/4-20 X 5/8 2, 5, 6, 7	#	15	2	Gasket 3	258734
7	2	Screw, HC M8 x 1.25 x .63 2, 6, 7	X-6050-8		2	Gasket 7	252842
8	2	Screw, hex head cap 2, 6, 7	X-6051-2	16	1	Box, air heater 3	258735
9	4	Nut, hex 1/4-20 2, 5, 6, 7	#		1	Box, air heater 7	256760
10	1	Bracket, air cleaner 2	249943	17	1	Hose, sleeve 7	249804
	1	Bracket, air cleaner 5	258217	18	1	Intake Silencer 5	258216
	1	Bracket, air cleaner 6	249694	19	1	Hose, manifold-to silencer 5	X-581-13
	1	Bracket, air cleaner 7	249692				

# Common Hardware, Obtain Locally  
X Not Sold Separately

# Series 1350

## Group 103 Fuel System (Var. 1, 4, 5, 6, 7)

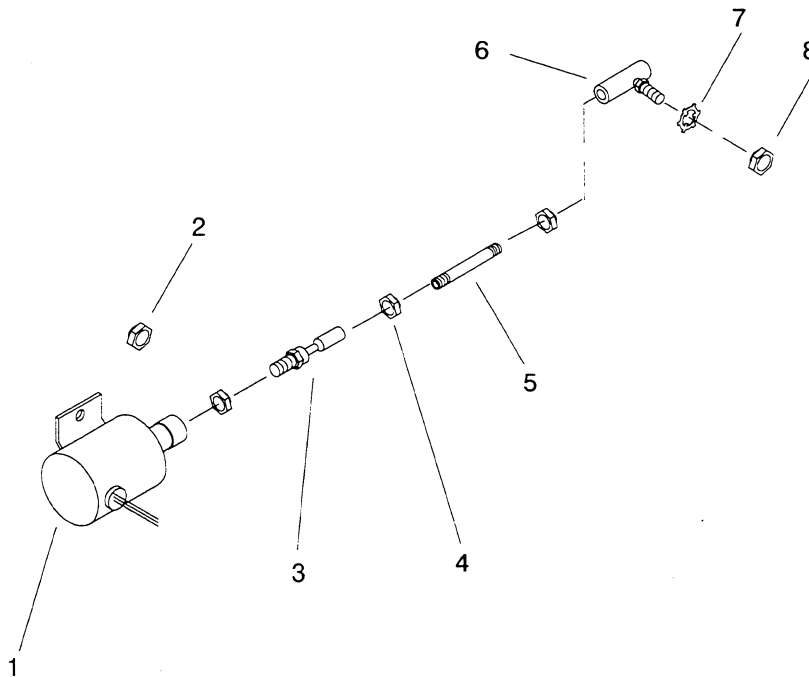


Item	Qty.	Description Variation No.	Part No.	Item	Qty.	Description Variation No.	Part No.
1	4	Screw, HC 1/4-20 x 3/4	#	17	1	Terminal	X-431-30
2	3	Washer, plain 17/64 x 5/8 x 1/16	#	18	1	Bracket, mounting	258636
3	2	Washer, shakeproof	#	19	3	Washer, lock 1/4	#
4	1	Terminal	X-251-30	20	4	Nut, hex 1/4-20	#
5	2	Screw, hex head cap	X-6051-2	21	2	Nut, hex 1/4-20	#
6	2	Washer, lock	#	22	2	Plug, pipe	#
7	1	Solenoid, fuel	258628	23	2	Washer, plain 21/64 x 9/16 x 1/16	#
	1	Solenoid, fuel	259432	24	1	Screw, HC 1/4-28 x 1	#
8	1	Nut, hex 1/4-28	#	25	2	Screw, hex head socket	#
9	1	Joint, ball	250566	26	2	Screw, HC	X-6050-8
10	1	Nut, elastic stop 1/4	#	27	1	Adapter, solenoid	250677
11	1	Link, solenoid	258867	28	1	Bracket, solenoid	250684
12	2	Pin, cotter 1/16 x 1/2	#		1	Bracket, solenoid	249642
13	1	Spring, throttle	258671	29	1	Linkage, solenoid	250685
14	1	Nut, hex 1/4-20	#	30	1	Spacer	X-400-142
15	1	Diode	233959		1	Screw, HC 1/4-20 x 1-1/2	#
16	2	Sleeving	X-6004-3		1		

# Common Hardware, Obtain Locally  
X Not Sold Separately

# Series 1350

## Group 103 Fuel System (Var. 8 & 9)

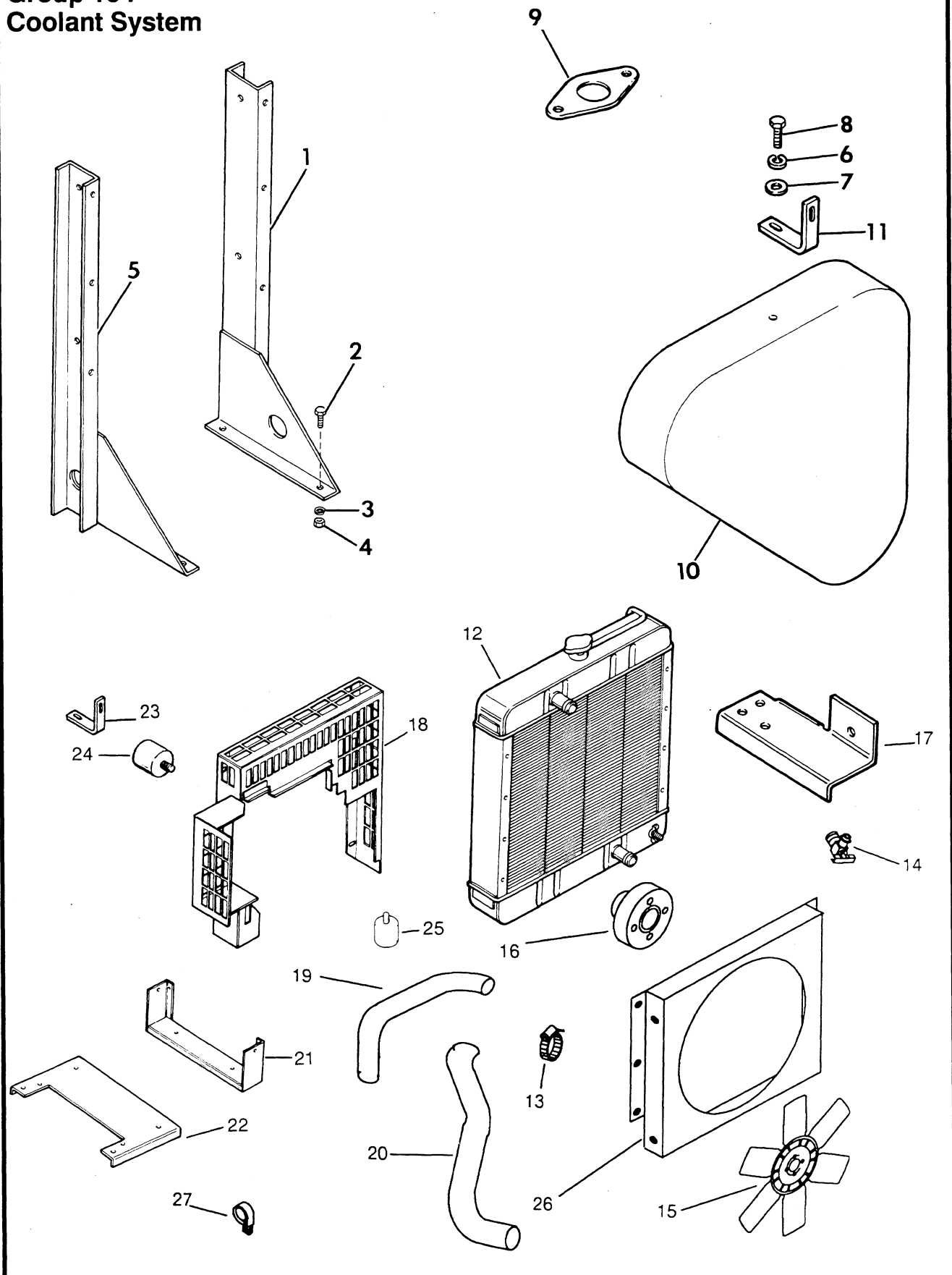


Item	Qty.	Description Variation No.	Part No.	Item	Qty.	Description Variation No.	Part No.
1	1	Solenoid, fuel 8, 9	258628	5	1	Rod, throttle 8	X-352-84
2	2	1/4-20 Nut 8, 9	#	1	1	Rod, throttle 9	X-352-85
3	1	Ball-joint 8, 9	273731	6	1	Ball-joint 8, 9	273730
4	3	Nut, hex 8, 9	X-81-9	7	1	Washer, lock 1/4 8, 9	X-22-11
				8	1	Nut, lock 8	X-101-7

# Common Hardware, Obtain Locally  
X Not Sold Separately

# Series 1350

## Group 104 Coolant System



# Common Hardware, Obtain Locally  
X Not Sold Separately

# Series 1350

## Group 104 Coolant System

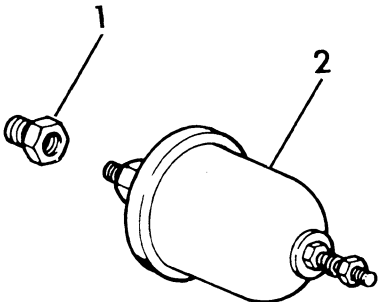
Item	Qty.	Description Variation No.	Part No.	Item	Qty.	Description Variation No.	Part No.
1	1	Support, radiator (right) 1, 5	259948	16	1	Fan Spacer 6, 9, 11, 12	249665
2	4	Screw, HC 3/8-16 x 7/8 1, 5, 6, 11, 12	#	17	1	Radiator Bracket, lh 9, 10	249674
3	4	Washer, lock 3/8 1, 5, 6, 9, 10, 11, 12	#	1	1	Radiator Bracket, rh 9, 10	249678
4	4	Nut, hex 3/8-16 1, 5, 6, 9, 10, 11, 12	#	18	1	Fan Guard 9, 10	249675
5	1	Support, radiator (left) 1, 5	259949	1	1	Fan Guard 11	249975
6	3	Washer, lock 1/4 3, 4, 5, 6, 9, 10, 11, 12	#	1	1	Fan Guard 6, 12	249661
7	3	Washer, plain 3/4 x 1/4 x 1/16 3, 4, 5	#	19	1	Upper Hose 9, 10	249676
8	3	Screw, HC 1/4-20 x 5/8 3, 4, 5, 6, 11, 12	#	1	1	Upper Hose 11	249978
9	1	Gasket 3	258685	1	1	Upper Hose 6, 12	249664
10	1	Guard, belt 3, 5	258687	20	1	Lower Hose 9, 10	249677
	1	Guard, belt 4	246273	1	1	Lower Hose 11	249977
11	1	Bracket, belt guard 3, 4, 5	258688	1	1	Lower Hose 6, 12	249662
	1	Bracket, belt guard 3, 5	258689	21	1	Radiator Bracket 6, 11, 12	249658
	1	Bracket, belt guard 3, 4, 5	258690	22	1	Radiator Bracket 11	249976
	1	Bracket, belt guard 4	258715	1	1	Radiator Bracket 6, 12	249659
12	1	Radiator Assembly 9, 10	A-249650	23	1	Radiator Brace 6, 11, 12	249660
	1	Radiator Assembly 6, 11, 12	A-249655	24	1	Bumper	255443
13	4	Hose Clamp, 1-15/16 x 1-3/4 9, 10	X-426-8	25	1	Vibro Mount, lower radiator 6, 11, 12	239497
	4	Hose Clamp, 1-3/4 x 3/4 6, 11, 12	#	26	1	Shroud, radiator 6, 11, 12	249656
14	1	Drain Valve 9	X-256-2	27	1	Insulated clamp 6, 11, 12	X-672-7
15	1	Fan, suction 9	249654				
	1	Fan, pusher 10	249680				
	1	Fan, pusher 11	249974				
	1	Fan 6, 12	249657				

# Common Hardware, Obtain Locally  
X Not Sold Separately



## Series 1350

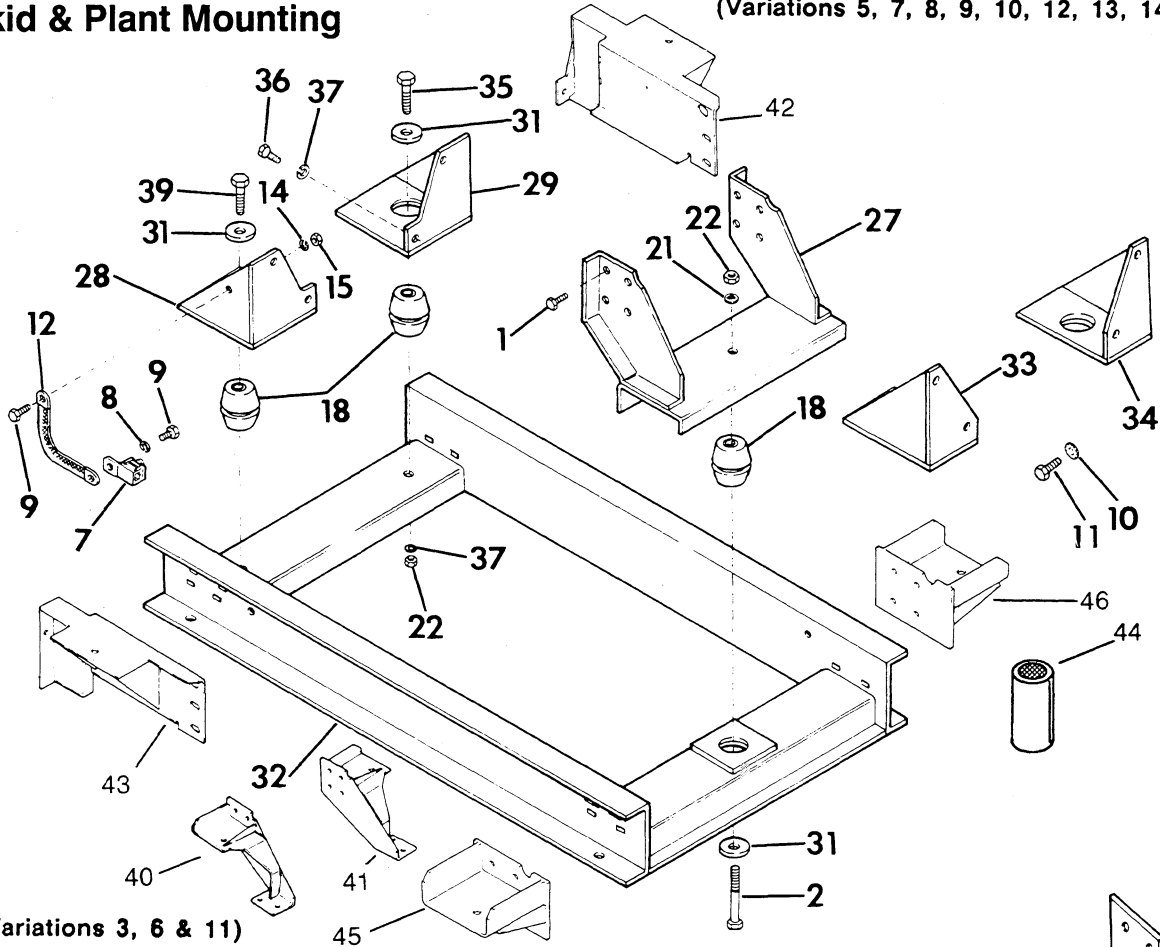
<b>Group 107 Nameplate &amp; Decals</b>							
Item	Qty.	Description Variation No.	Part No.	Item	Qty.	Description Variation No.	Part No.
1	1	Decal, installation warning 1, 3, 4, 5, 6	237998	15	1	Decal, oil drain 1, 3, 4, 5, 6	250643
2	1	Decal, equipment Ground 1, 3, 4, 5, 6, 8, 9, 10, 11, 12, 13	238575	16	1	Decal, oil drain 1, 3, 4, 5, 6	280562
3	1	Nameplate 5, 8, 11	238892	17	1	Decal, valve cover 1, 3, 4, 5, 6	250645
4	1	Decal, warning 8, 9, 10, 11, 12, 13	239771	18	1	Decal, starter solenoid 1, 3, 4, 5, 6	250646
5	1	Decal, warning 8, 9, 10, 11, 12, 13	239773	19	1	Decal, starter motor 1, 3, 4, 5, 6	250647
6	1	Decal, warning 4, 5, 6, 8, 9, 10, 11, 12, 13	249808	20	2	Decal, oil cap 1, 3, 4, 5, 6, 8, 12, 13	250650
7	1	Decal, warning 4, 5, 6, 8, 9, 10, 11, 12, 13	249809	21	1	Decal, Kohler 12.5 kW 1, 3, 4, 5, 6, 8, 9, 10, 11, 12	259282
8	1	Decal, warning 4, 9, 10, 12, 13	249810	22	4	Nameplate, serial # 1, 3, 4, 5, 6, 8, 9, 10, 12, 13	Not Available
9	1	Decal, water drain 8, 9, 10, 11, 12, 13	280561	23	1	Nameplate, Kohler 1	241545
10	1	Decal, oil 8, 11, 12, 13	249876	24	1	Nameplate, Kohler (on heat exchanger) 1, 3, 4, 5	250649
11	1	Decal, battery positive 8, 12, 13	249877	25	1	Nameplate, Kohler 14.5 kW 6	258729
12		Decal, stripe 8, 12, 13	249878	26	1	Decal, fuse 6, 9, 10	258721
13	1	Decal, stripe 8	249879	27	1	Logo, Kohler 4, 8, 9, 10, 11, 12, 13	X-6229-3
14	1	Nameplate 4, 9, 10, 12, 13	250608	28	1	Decal, CSA 9, 10, 11, 12, 13	225165

<b>Group 108 Oil Pressure Sender</b>							
							
Item	Qty.	Description Variation No.	Part No.	Item	Qty.	Description Variation No.	Part No.
1	1	Bushing, reducer 1	X-202-27	2	1	Sender, oil pressure 1, 101	258693

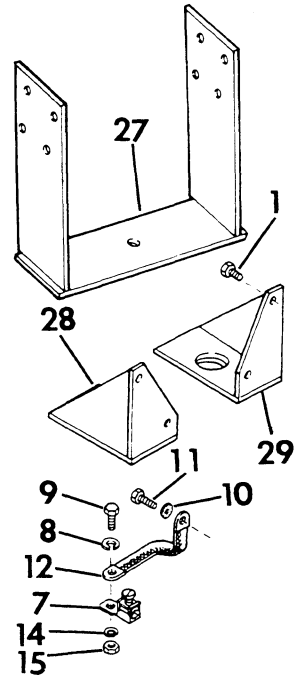
# Series 1350

## Group 109 Skid & Plant Mounting

(Variations 5, 7, 8, 9, 10, 12, 13, 14, 15)



(Variations 3, 6 & 11)



Variation 4

# Series 1350

## Group 109 Skid & Plant Mounting

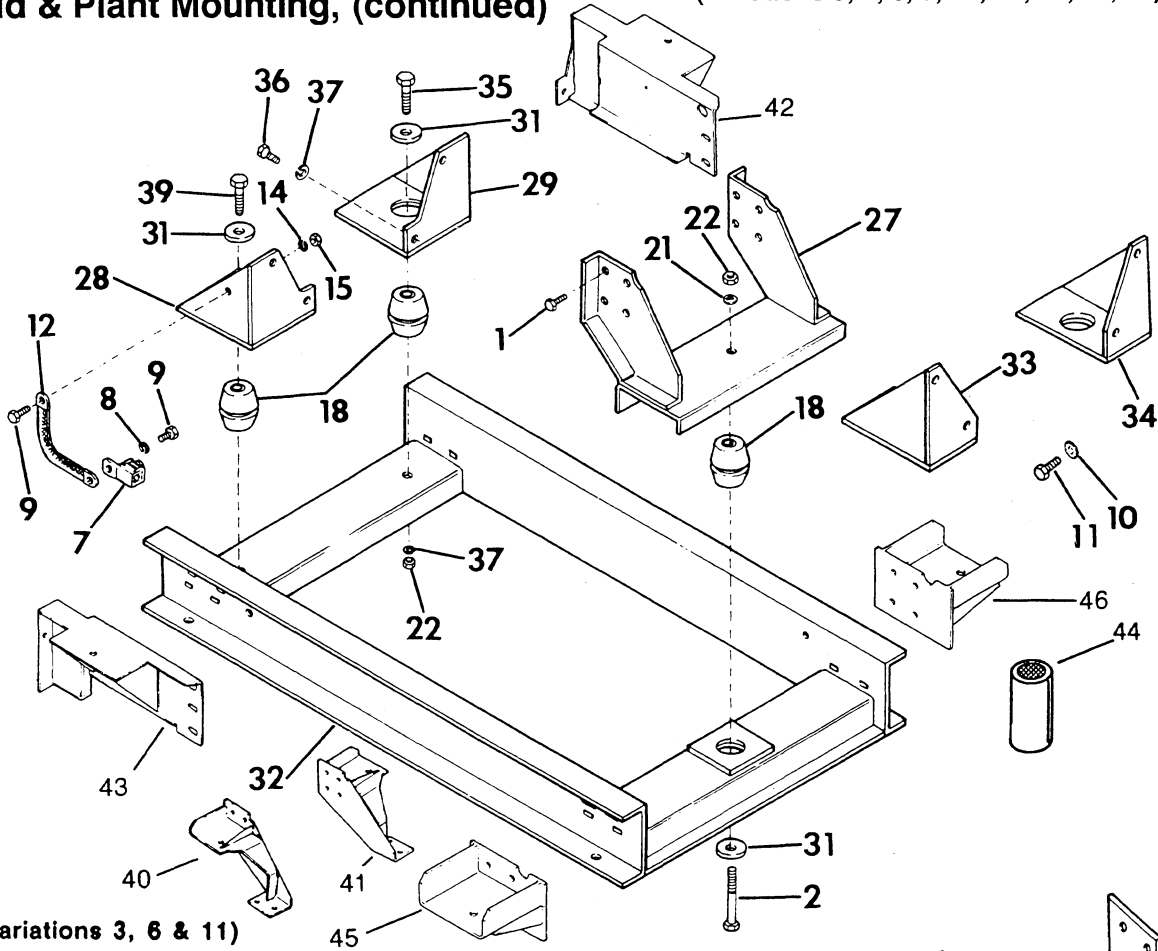
Item	Qty.	Description Variation No.	Part No.	Item	Qty.	Description Variation No.	Part No.
1	16	Screw, hex head cap 3, 4, 5, 6, 11	X-6051-2	18	2	Mount, vibro (rear) 3, 6	258658
	8	Screw, hex head cap 7, 8, 9, 10, 12, 13, 14, 15	X-6051-2		2	Mount, vibro (rear) 11	258249
2	1	Screw, HC 3/8-16 x 3-1/4 5, 7	#	2	Mount, vibro (front) 3, 6	258659	
3	2	Bracket, mounting 3, 6	258656	2	Mount, vibro (front) 11	258248	
	2	Bracket, mounting 11	258228	3	Mount, vibro 5, 7, 8, 9	258594	
4	2	Screw, HC 1/2-13 x 3 3, 6	#	4	Mount, vibro 12, 14	249673	
5	4	Screw, HC 5/16-18 x 3/4 6	#	2	Mount, vibro (front) 10, 13, 15	249673	
6	2	Bracket, rear mounting 3, 6	258631	2	Mount, vibro (rear) 13, 15	249973	
7	1	Terminal, grounding 3, 4, 5, 6, 7, 8, 9, 10, 11, 12, 13, 14, 15	X-377-11	2	Mount, vibro (rear) 10	249672	
8	1	Washer, lock 5/16 3, 4, 5, 6, 8, 9, 11, 12, 13, 14, 15	#	19	Washer, plain 3/8 x 2 x 3/16 3, 6	#	
9	1	Screw, HC 5/16-18 x 1 3, 4, 5, 6, 8, 11, 12, 13, 14	#	20	Washer, plain 3/8 x 2 x 12 ga. 3, 6	#	
	2	Screw, HC 5/16-18 x 1 7	#	21	Washer, tooth 3/8 3	#	
10	1	Washer, tooth lock 1/2 3, 4, 5, 6	#	1	Washer, tooth 3/8 5	#	
11	1	Screw, hex head cap 3, 4, 5, 6, 11	X-6051-1	4	Washer, tooth 3/8 7	#	
	5	Screw, hex head cap 12	X-6051-1	22	Nut, hex 3/8-16 3	#	
	6	Screw, hex head cap 13	X-6051-1	4	Nut, hex 3/8-16 3, 8, 9, 11, 12, 13, 14, 15	#	
	2	Screw, hex head cap 15	X-6051-1	3	Nut, hex 3/8-16 5, 7	#	
12	1	Ground Strap 3, 4, 5, 6, 7, 10, 11, 12	287363	23	Washer, lock 25/64 x 17/32 3, 6	#	
	1	Ground Strap 8, 9, 13, 14, 15	290418	24	Washer, lock 1/2 x 7/8 3, 6, 12	#	
13	1	Mounting Tray 3, 6	258661	25	Washer 3, 6	153374	
	1	Mounting Tray 11	258213	26	Nut, hex 1/2-13 3, 6	#	
14	1	Washer, tooth lock 5/16 3, 4, 5, 6	#	4	Nut, hex 1/2-13 12, 13, 14, 15	#	
	2	Washer, tooth lock 5/16 7	#	12	Nut, hex 1/2-13 11	#	
15	2	Nut, hex 5/16-18 3, 4, 5, 7, 8, 9	#				
	7	Nut, hex 5/16-18 6, 8	#				
	4	Nut, hex 5/16-18 11, 13	#				
	1	Nut, hex 5/16-18 12, 14, 15	#				
16	4	Screw, HC 3/8-16 x 7/8 3, 6	#				
17	2	Screw, HC 5/16-18 x 2-1/4 3, 6	#				

# Common Hardware, Obtain Locally  
X Not Sold Separately

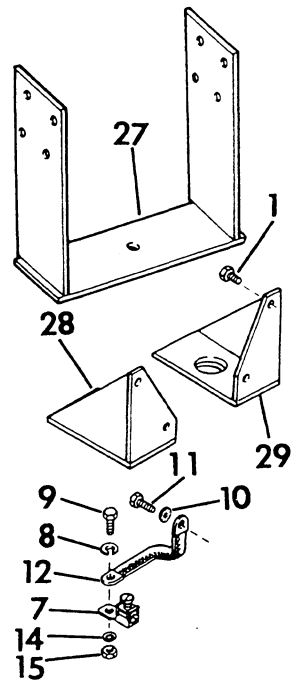
# Series 1350

## Group 109 Skid & Plant Mounting, (continued)

(Variations 5, 7, 8, 9, 10, 12, 13, 14, 15)



(Variations 3, 6 & 11)



Variation 4

# Common Hardware, Obtain Locally  
X Not Sold Separately

# Series 1350

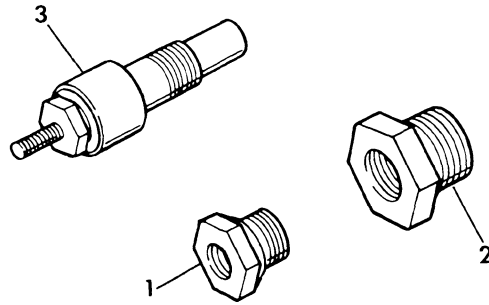
## Group 109 Skid & Plant Mounting, (continued)

Item	Qty.	Description Variation No.	Part No.	Item	Qty.	Description Variation No.	Part No.
27	1	Bracket, engine mount (front) 4	258674	38	1	Bracket, generator mounting (rh) 11	258214
	1	Bracket, engine mount (front) 8, 9	249663	39	1	Bracket, generator mounting (lh) 11	258224
28	1	Bracket, engine mount (front) 5, 7	258713	40	1	Bracket, engine mounting (rh) 10	249681
	1	Bracket, engine mount (service side) 4	258675		1	Bracket, engine mounting (rh) 13, 15	249966
	1	Bracket, engine mount (service side) 7, 9	258727	41	1	Bracket, engine mounting (lh) 10	249668
	1	Bracket, engine mount (service side) 8	258716		1	Bracket, engine mounting (lh) 13, 15	249967
29	1	Bracket, engine mount (starter side) 4	258676	42	1	Bracket, generator mounting (rh) 10	249639
	1	Bracket, engine mount (starter side) 7, 9	258728		1	Bracket, generator mounting (rh) 12, 13	249970
	1	Bracket, engine mount (starter side) 8	258717		1	Bracket, generator mounting (rh) 14, 15	249980
30	2	Washer, steel 11/32 x 3/4 x 5/64 3	#	43	1	Bracket, generator mounting (lh) 10	249671
	4	Washer, steel 11/32 x 3/4 x 5/64 6	#		1	Bracket, generator mounting (lh) 12, 13	249971
31	3	Washer, plain 13/32 x 2 x 3/16 5, 7	#		1	Bracket, generator mounting (lh) 14, 15	249981
32	1	Skid 5, 8	258714	44	4	Spacer 11, 12, 13, 14, 15	X-400-167
	1	Skid 7, 9	258723	45	1	Bracket, engine mounting (rh) 12, 14	249968
	1	Skid 10	249669	46	1	Bracket, engine mounting (lh) 12, 14	249969
	1	Skid 12, 13	249972				
	1	Skid 14, 15	249982				
33	1	Bracket, engine mounting (rear-RH) 5	258716				
34	1	Bracket, engine mounting (rear-LH) 5	258717				
35	2	Screw, hex head machined 5, 7, 10	#				
36	6	Screw, HC 3/8-16 x 3/4 7	#				
37	2	Washer, lock 3/8 5, 11	#				

# Common Hardware, Obtain Locally  
X Not Sold Separately

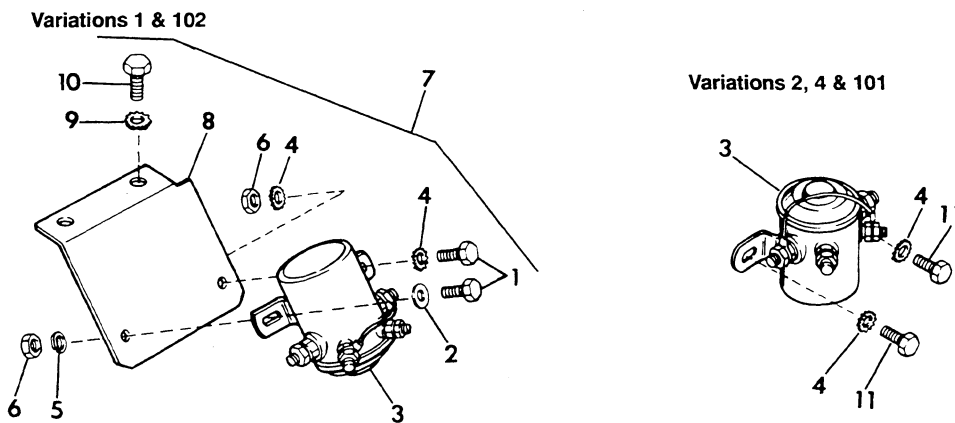
## Series 1350

### Group 110 Temperature Switch



Item	Qty.	Description Variation No.	Part No.	Item	Qty.	Description Variation No.	Part No.
1	1	Bushing reducer 1/8 2	X-202-27	3	1	Switch, water temperature 2, 101	258694
2	1	Bushing reducer 3/8 2	X-202-30				

### Group 112 Starter



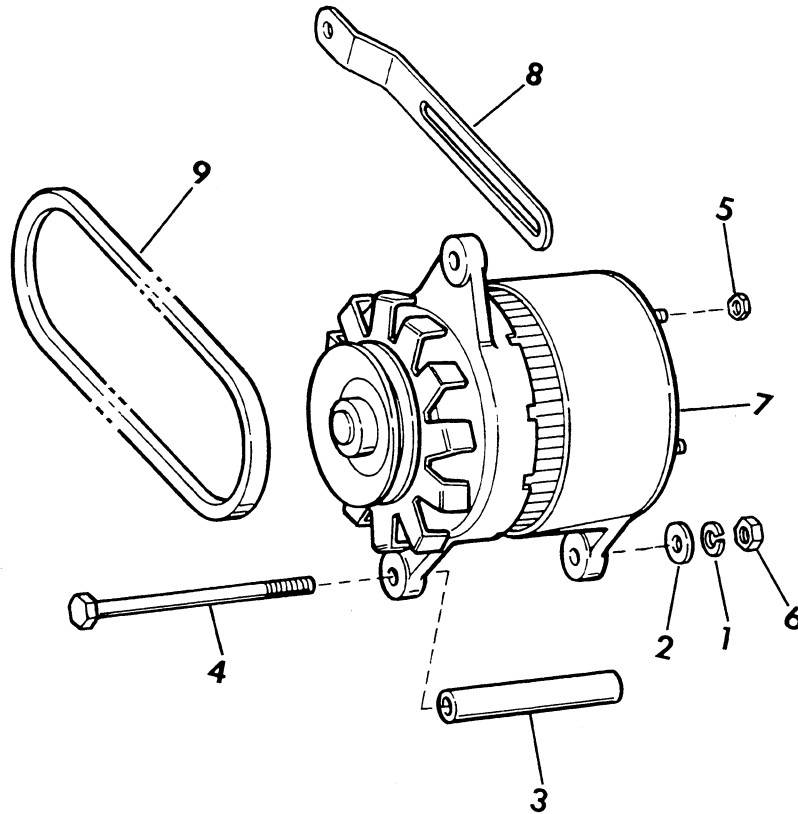
(See Fuel Group 103 for Relay Mounting Hardware— Variation 101)

Item	Qty.	Description Variation No.	Part No.	Item	Qty.	Description Variation No.	Part No.
1	2	Screw, HC 1/4-20 x 3/4 1, 102	#	7	1	Solenoid Assembly 1, 102	A-258692
2	1	Washer, plain 17/64 x 5/8 x 1/16 1, 102	3	8	1	Bracket, mounting 1, 102	258656
3	1	Relay 1, 2, 4, 101, 102	233442	9	2	Washer, lock 3/8 1, 102	#
4	2	Washer, tooth 1/4 1, 2, 102	#	10	2	Screw, hex head cap 1, 102	X-6051-2
5	1	Washer, lock 1/4 1, 102	#	11	2	Screw, HC 1/4-20 x 1/2 2	#
6	2	Nut, hex 1/4-20 1, 102	#				

# Common Hardware, Obtain Locally  
X Not Sold Separately

# Series 1350

## Group 113 Alternator



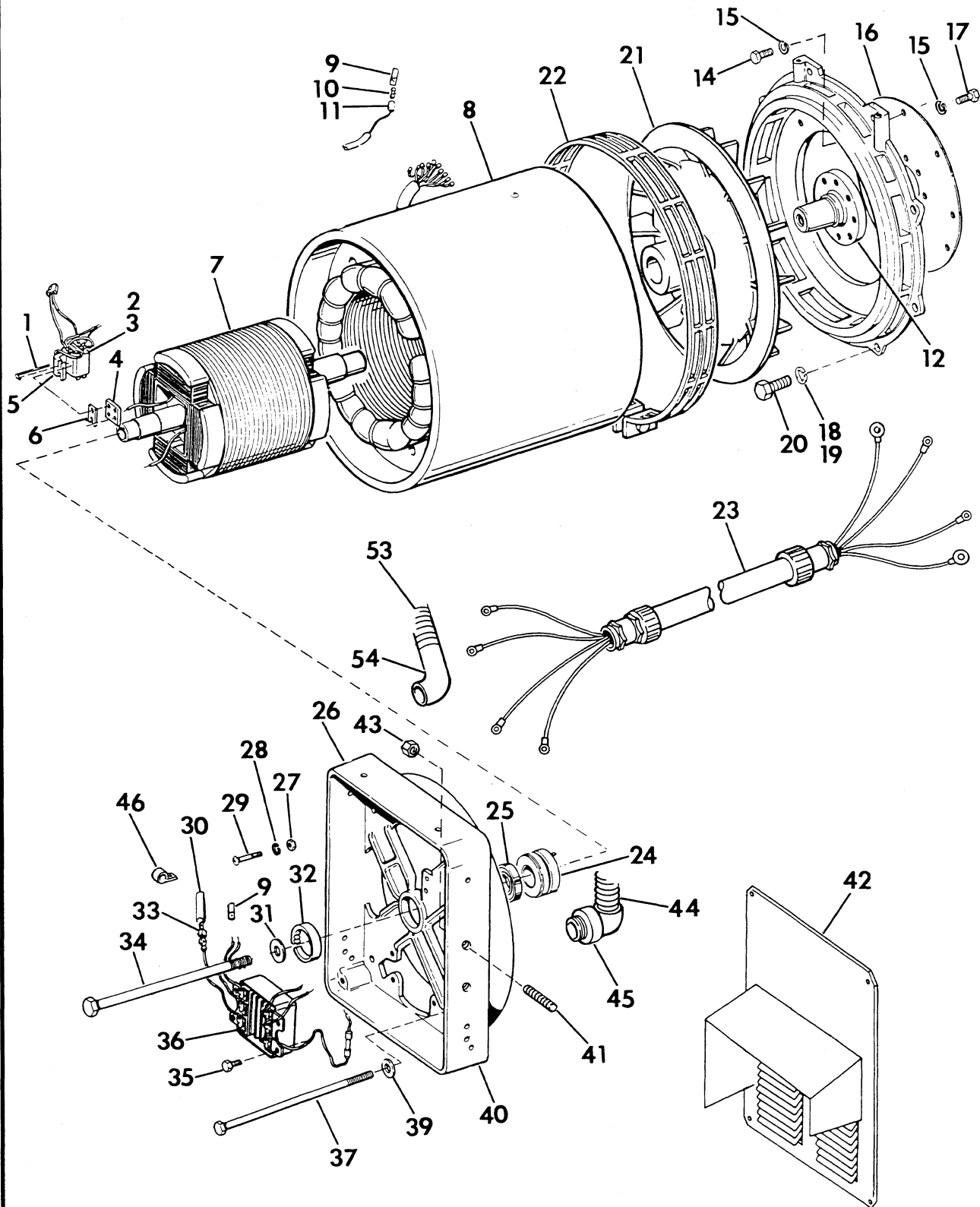
Item	Qty.	Description Variation No.	Part No.	Item	Qty.	Description Variation No.	Part No.
1	1	Washer, lock 5/16 3	#	6	1	Nut, M8 2	252723
2	1	Washer, plain 11/32 3	#	1	1	Nut, hex 3/8-16 3	#
3	1	Spacer 3	X-400-184	7	1	Alternator 3	258934
	1	Spacer 2	225735			Alternator 2	225015
4	1	Screw, HC 5/16-18 x 4-3/4 3	#	8	1	Bracket, alternator 3	258730
	1	Bolt, MJ X 105 2	225772			Bracket, alternator 2	225877
5	1	Nut, hex 3	X-6053-6	9	1	Belt, V 3	258732
						Belt 2	256749
				10	1	Bracket, belt, guard (not shown) 3	246272

# Common Hardware, Obtain Locally  
X Not Sold Separately

# Series 1350

## Group 201 Generator & Mounting

All variations, except variations 10 & 14

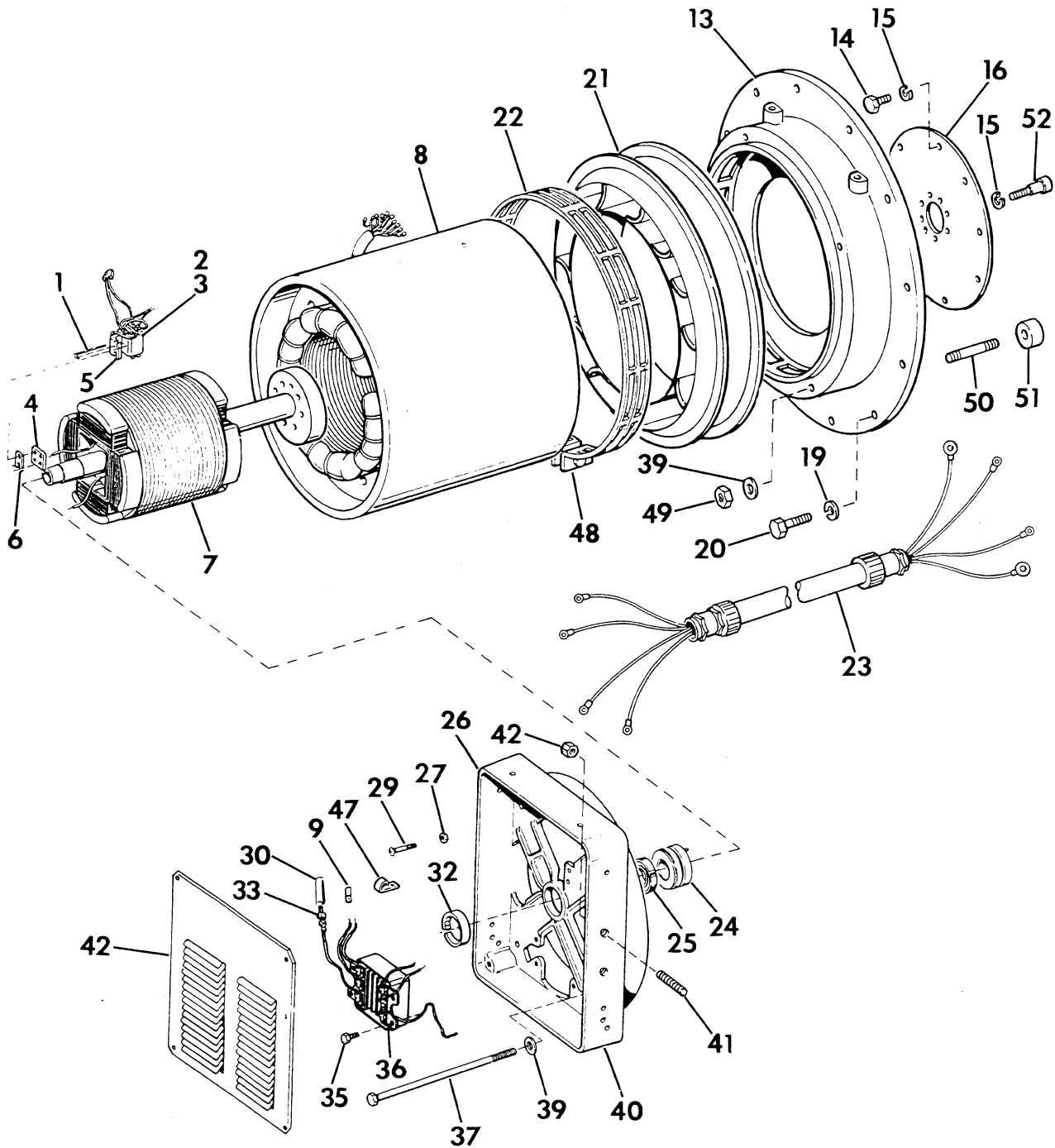


# Common Hardware, Obtain Locally  
X Not Sold Separately

# Series 1350

## Group 201 Generator & Mounting

Variations 10 & 14



# Common Hardware, Obtain Locally  
X Not Sold Separately

# Series 1350

## Group 201 Generator & Mounting

Item	Qty.	Description Variation No.	Part No.	Item	Qty.	Description Variation No.	Part No.
1		Retainer Wire (service tool) all	238247	23	1	Harness, wiring 1, 4, 5, 11	258718
2	2	Brush 1, 4, 5, 10, 11, 12, 13, 14	239282	1	1	Harness, wiring (with plug connector)	258640
3	2	Spring 1, 4, 5, 10, 11, 12, 13, 14	238150	1	1	Harness, wiring 1	258737
4	1	Bracket 1, 4, 5, 10, 11, 12, 13, 14	278943	1	1	Harness, wiring 4, 12	258751
5	1	Brush Holder 1, 4, 5, 10, 11, 12, 13, 14	239247	1	1	Harness, wiring 10, 14	249640
6	1	Shim, brush holder 1, 4, 5, 10, 11, 12, 13, 14	238248	1	1	Harness, wiring 11	258752
7*	1	Rotor Assembly 1, 4, 5, 12, 13	A-258569	1	1	Harness, wiring 13	238134
	1	Rotor Assembly 10, 14	B-250603	24	1	Ring, collector 1, 4, 5, 10, 11, 12, 13, 14	
	1	Rotor Assembly 11	A-249477	25	1	Ball Bearing 1, 4, 5, 10, 11, 12, 13, 14	X-758-1
8	1	Stator Assembly 1, 4, 5, 7, 10, 12, 13, 14	258393	26	1	End Bracket Assembly 4	A-258681
	1	Stator Assembly 11	249867	1	1	End Bracket Assembly 10	B-258755
9	1	Terminal 1, 4, 5, 12	X-431-34	1	1	End Bracket Assembly 11	A-249805
10	1	Fuse, 8-Amp 1, 4, 5, 12	258405	1	1	End Bracket Assembly 1, 12	B-258238
11	1	Holder, in-line fuse 1, 4, 5, 12	258405	1	1	End Bracket Assembly 5, 13	B-249984
12	1	Shaft Extension 1, 4, 5, 11, 12, 13	238691	1	1	End Bracket Assembly 14	B-249985
13	1	Adapter, generator 1, 4, 5, 11, 13	259228	27	1	Nut, hex 10-24 1, 4, 5, 10, 11, 12, 13	#
	1	Adapter, generator 10, 14	258724	28	2	Washer, lock #10 1, 4, 5, 11	#
	1	Adapter, generator 12	258229	29	4	Screw, RHM 10-24 x 1-3/8 1, 4, 5, 10, 11	#
14	8	Screw, HC 1, 4, 5, 12, 13	X-6050-8	4	4	Screw, RHM 10-24 x 1-1/2 12, 14	#
	8	Screw, HC 10, 11, 14	X-6050-3	30	2	Sleeving 1, 4, 5, 10, 11	X-6004-3
15	6	Washer, lock 5/16 1, 4,	#	31	1	Washer, plain 9/16 x 1-1/4 x 5/32 1, 4, 5, 11, 12, 13	#
	14	Washer, lock 5/16 5, 10, 11, 12, 13, 14	#	32	1	Ring, tolerance 1, 4, 5, 10, 11, 12, 13, 14	238211
16	3	Disc, rotor drive 1, 4, 5, 10, 11, 12, 13, 14	259017	33	1	Diode 1, 4, 5, 10, 11, 12, 13, 14	241739
17	6	Screw, HC 5/16-18 x 3/4 1, 4, 5, 11, 12, 13, 14	#	34	1	Rotor Thru Bolt 1, 4, 5, 12, 13	238692
18	12	Washer, lock 3/8 1, 4, 5	#	1	1	Rotor Thru Bolt 11	242196
19	9	Washer, lock 7/16 1, 4	#	35	4	Screw, hex head 10-24 x 1/2 1, 4, 5, 10, 11	#
	7	Washer, lock 7/16 5, 11, 12, 13	#	36	1	Regulator Assembly 1, 4, 5, 10, 11, 12, 13, 14	228602
	12	Washer, lock 7/16 10, 14	#	37	4	Bolt, over 1, 4, 5, 10, 12, 13, 14	250614
20	9	Screw, hex head cap 1, 4, 5, 11, 12, 13	X-6051-2	4	4	Bolt, over 11	250744
	12	Screw, hex head cap 10, 14	X-6051-3	38*	1	Fuse Holder Assembly 1, 4, 5, 12	A-258406
21	1	Fan, generator 1, 4, 5, 11	238204	39	4	Washer, hardened 1, 4, 5, 11, 12, 13	X-801-3
	1	Fan, generator 10, 14	259956	12	12	Washer, hardened 10, 14	X-801-3
22	1	Guard, fan 1, 4, 5, 11, 12, 13	259226				
	1	Guard, fan 10, 14	269425				

# Common Hardware, Obtain Locally  
X Not Sold Separately

# Series 1350

<b>Group 201 Generator &amp; Mounting</b>							
Item	Qty.	Description Variation No.	Part No.	Item	Qty.	Description Variation No.	Part No.
40	1	Bracket, end 4, 10	257295	50	8	Stud 10, 14	X-6054-7
	1	Bracket, end 1, 11, 12	257293	51	8	Spacer 10, 14	X-400-37
	1	Bracket, end 5, 13, 14	246438	52	6	Screw, shoulder 10, 14	230175
41	2	Stud, brass 1, 4, 5, 10, 11, 12, 13, 14	237612	53	1	Conduit, flexible 4	X-214-21
42	1	Panel, louver 1, 4, 12	258580	54	1	Connector, conduit 4	X-252-2
	1	Panel, louver 5, 10, 11, 13, 14	250713				
43	2	Insulator, panel 1, 4, 5, 10, 11, 12, 13, 14	233269				
44	1	Flexible Conduit 1	X-6026-1				
	1	Flexible Conduit 4	X-6026-2				
45	1	Connector, conduit 1, 4	X-6027-3				
46	1	Clip, wire 4, 5, 10	X-339-6				
47	1	Clamp, insulated 10	X-414-1				
48	1	Washer, tooth #10 10	#				
49	8	Nut, hex 10, 14	X-6053-3				

**\*Note:**

Item 7- Rotor Assemblies include items 24 & 25.

Item 38- Fuse Holder Assemblies include items 9-11.

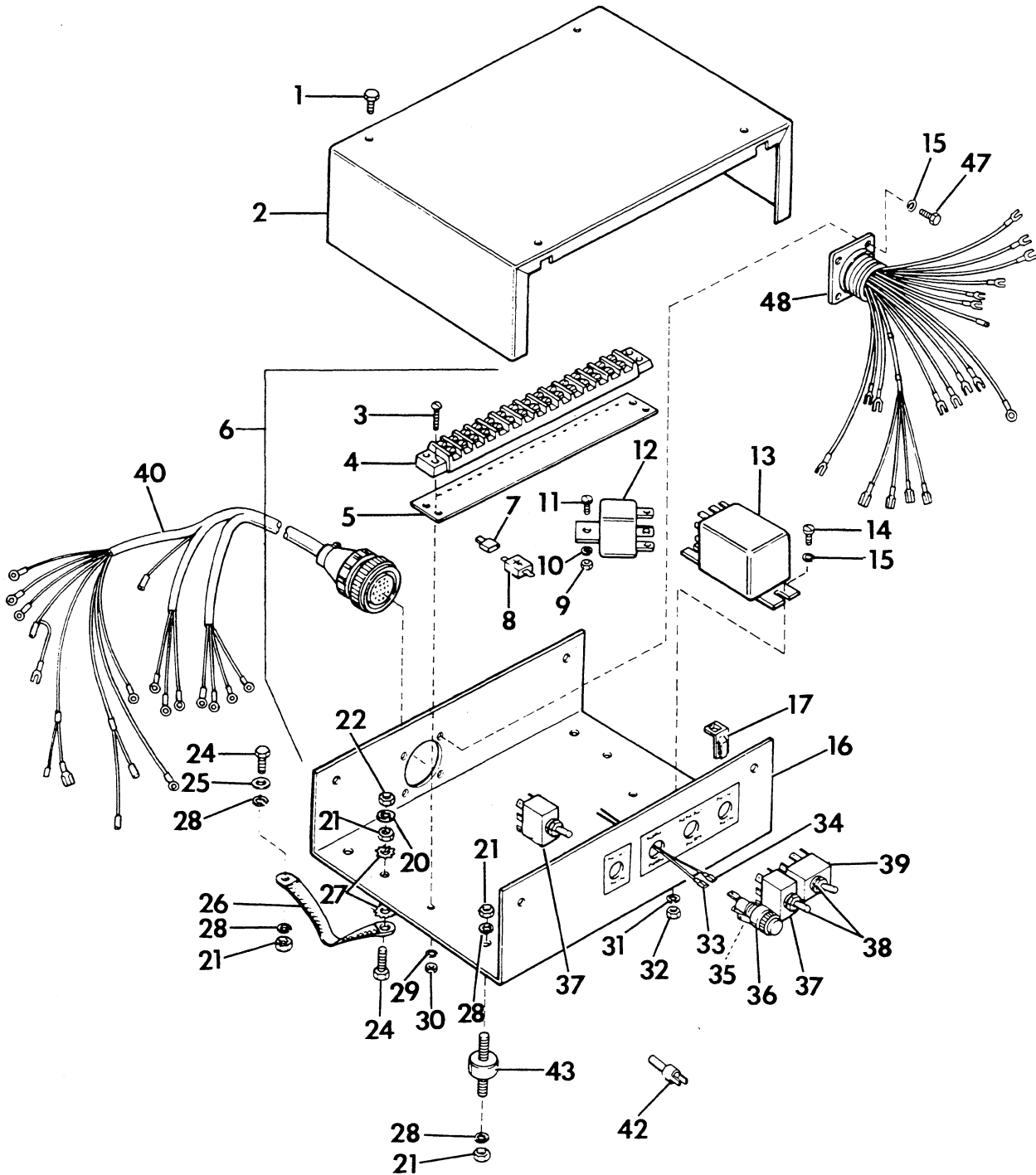
# Common Hardware, Obtain Locally  
X Not Sold Separately



# Series 1350

## Group 301 Controller & Mounting

Variations 5 & 7

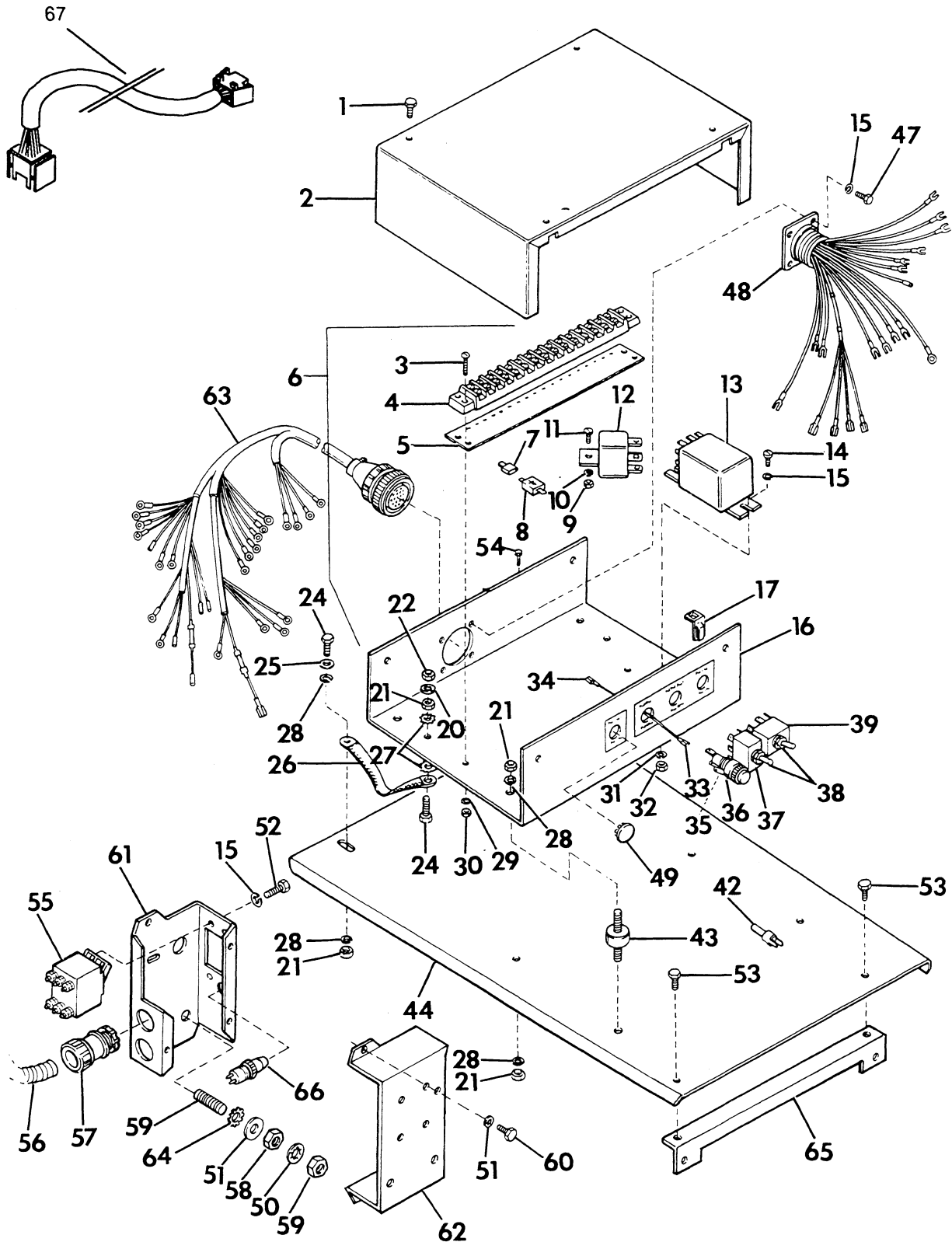


# Common Hardware, Obtain Locally  
X Not Sold Separately

# Series 1350

## Group 301 Controller & Mounting

Variations 6, 11 & 14



# Common Hardware, Obtain Locally  
X Not Sold Separately

# Series 1350

## Group 301 Controller & Mounting

Item	Qty.	Description Variation No.	Part No.	Item	Qty.	Description Variation No.	Part No.
1	4	Screw, hex head 8-18 x 3/8 1, 5, 6, 7, 11, 14	#	25	4	Washer, plain 1/4 x 5/8 x 1/16 1, 6, 24, 25	#
2	1	Cover, controller 1, 5, 6, 7, 11, 14, 24	258583	6	6	Washer, plain 1/4 x 5/8 x 1/16 11, 14, 25, 26	#
3	2	Screw, RHM 8-32 x 5/8 1, 5, 6, 7, 11, 14	#	26	1	Ground Strap 1, 5, 6, 7, 11, 14, 24, 25, 26	290418
4	1	Strip, terminal 1, 5, 6, 7, 11, 14	269244	27	2	Washer, tooth 1/4 1, 5, 7, 11, 14, 25, 26	#
5	1	Marker, strip 1, 5, 6, 7, 11, 14	259465	3	3	Washer, tooth 1/4 6, 24	#
6	1	Controller Assembly 1	B-258625	1	1	Washer, tooth 1/4 11, 25	#
	1	Controller Assembly 5, 7	A-258757	28	4	Washer, lock 1/4 1	#
	1	Controller Assembly 6, 11, 14, 24, 25, 26	B-258758	8	8	Washer, lock 1/4 5, 7	#
7	6	Sleeving 1, 5, 6, 7, 11, 14	X-6004-3	12	12	Washer, lock 1/4 6, 24	#
8	3	Diode 1, 5, 6, 7, 11, 14, 24, 25, 26	233959	14	14	Washer, lock 1/4 11, 14, 25, 26	#
9	3	Nut, hex 101-24 1, 5, 6, 7, 11, 14, 24, 25, 26	#	29	2	Washer, lock #8 1, 5, 6, 7, 11, 14, 24, 25, 26	#
10	3	Washer, lock #10 1, 5, 6, 7, 11, 14, 24, 25, 26	#	30	2	Nut, hex 8-32 1, 5, 6, 7, 11, 14, 24, 25, 26	#
11	3	Screw, RHM 10-24 X 3/8 1, 5, 6, 7, 11, 14	#	31	2	Washer, steel 3/32 x 3/8 x 3/64 1, 5, 6, 7, 11, 14, 24, 25, 26	#
12	3	Relay 1, 5, 6, 7, 11, 14, 24, 25, 26	259391	32	2	Nut, hex 6-32 1	#
13	1	Relay, CR 1, 5, 6, 7, 11, 14, 24, 25, 26	269221	6	6	Nut, hex 6-32 5, 6, 7, 11, 14, 24, 25, 26	#
14	2	Screw, RHM 6-32 x 3/8 1, 5, 6, 7, 11, 14, 24, 25, 26	#	33	2	Terminal (14-18 ga. wire) 1	X-431-27
15	2	Washer, lock #6 1	#	1	1	Terminal (14-18 ga. wire) 5, 6, 7, 11, 14, 24, 25, 26	X-431-27
	6	Washer, lock #6 5, 7, 11, 14, 24, 25, 26	#	34	3	Terminal (10-14 ga. wire) 1, 5, 6, 7, 11, 14, 24, 25, 26	X-431-33
16	1	Box, controller 1	258639	35	1	Fuse, 10-Amp 1, 5, 6, 7, 11, 14, 24, 25, 26	223316
	1	Box, controller 5, 6, 7, 11	258684	36	1	Holder, fuse 1, 5, 6, 7, 11, 14, 24, 25, 26	238426
	1	Box, controller 14, 24, 25, 26	258756	37	1	Toggle Switch 1, 6, 11, 14, 24, 25, 26	241713
17	4	Bracket, controller 1, 5, 6, 7, 11, 14, 24, 25, 26	265348	2	2	Toggle Switch 5, 7	249690
18	1	Harness, controller 1	258637	38	2	Ring, lock 1, 14, 24, 25, 26	151511
19	1	Harness, controller 1	258663	3	3	Ring, lock 5, 6, 7, 11	151511
20	1	Washer, tooth 1/4 1, 5, 6, 7, 11, 14, 24, 25	#	39	1	Toggle Switch 1, 5, 6, 7, 11, 14, 24, 25, 26	249689
21	11	Nut, hex 1/4-20 1, 11, 14, 24, 25, 26	#	40	1	Harness, engine wiring 1	258664
	9	Nut, hex 1/4-20 5, 7	#	1	1	Harness, engine wiring 5, 7	258673
	11	Nut, hex 1/4-20 6	#	41	2	Screw, HC 1/4-20 x 5/8 1	#
22	1	Nut, hex 1/4-20 green 1, 5, 6, 7, 11, 14, 24, 25, 26	#	42	1	Connector 1, 5, 6, 7, 11, 14, 24, 25, 26	236979
23	1	Grommet 1	297094	43	4	Mount, controller 1, 5, 6, 7, 11, 14, 24, 25, 26	241769
24	1	Screw, HC 1/4-20 x 1 5, 7	#				
	2	Screw, HC 1/4-20 x 1 1, 6, 11, 14, 24, 25, 26	#				

# Common Hardware, Obtain Locally  
X Not Sold Separately

# Series 1350

## Group 301 Controller & Mounting

Item	Qty.	Description Variation No.	Part No.	Item	Qty.	Description Variation No.	Part No.
44	1	Bracket, controller 1	258633	64	2	Washer, tooth 1/2 11, 14, 25	#
	1	Bracket, controller 6, 24	258699	65	1	Bracket, controller mounting 11, 25	250625
	1	Bracket, controller 11, 25	258722	66	1	Fuse, 8-Amp 6, 11, 14, 24, 25, 26	258405
	1	Bracket, controller 14, 26	249641	67	1	Remote Connector Harness (16 ft.) 14	258765
45	1	Screw, HC 1/4-20 x 3/4 1	#			Remote Connector Harness 24, 25, 26	258750
46	1	Grommet, 1-3/8 1	X-284-3				
47	4	Screw, RHM 6-32 x 1/2 5, 6, 7, 11, 14, 24, 25, 26	#				
48	1	Harness, controller (internal) 5, 6, 7, 11	258672				
	1	Harness, controller (internal) 14, 24, 25, 26	258764				
49	1	Button, plug 6, 11, 14, 24, 25, 26	X-301-23				
50	2	Washer, tooth 1/2 6, 11, 14, 24, 25, 26	#				
51	2	Washer, plain 1/2 x 1 x 3/32 6, 11, 14, 24, 25, 26	#				
52	4	Screw, RHM 6-32 x 1/4 6, 11, 24, 25	#				
53	2	Screw, HC 1/4-20 x 5/8 6, 24	#				
	4	Screw, HC 1/4-20 x 5/8 11, 25	#				
54	1	Screw, HC 1/4-20 x 3/4 6, 11, 24, 25	#				
55	1	Circuit Breaker 6, 24	X-506-20				
	1	Circuit Breaker 11, 25	X-506-24				
	1	Circuit Breaker 14, 26	X-506-5				
56	1	Conduit, flexible 6, 11	X-6027-2				
57	1	Connector, conduit 6, 11	X-6027-3				
	1	Wire Harness 14, 25	258738				
58	4	Nut, hex 6, 11, 14, 24, 25, 26	X-6053-3				
59	2	Stud 6, 11, 14, 24, 25, 26	X-6054-1				
60	5	Screw, drill 6, 11, 24, 25, 26	X-794-2				
61	1	Box, circuit breaker 6, 11, 24, 25	249995				
	1	Box, circuit breaker 14, 26	249646				
62	1	Cover, circuit breaker 6, 11, 24, 25	249996				
	1	Cover, circuit breaker 14, 26	249645				
63	1	Harness, wiring (controller to breaker box) 6, 11, 14, 24, 25, 26	249693				

# Series 1350

## Group 701 Literature

Item	Qty.	Description Variation No.	Part No.	Item	Qty.	Description Variation No.	Part No.
1	1	Operation Manual, 12.5 RV Blue Bird 1	TP-5191				
	1	Operation Manual, RV 3	TP-5261				
2	1	Guide, Safety 1, 3	TP-5251				
3	1	Parts Catalog 1, 3	TP-5228				
4	1	Service Manual, generator 1, 3	TP-5235				
	1	Service Manual, engine 1, 3	TP-5265				

# Series 1350

## Accessories

Item	Qty.	Description Variation No.	Part No.	Item	Qty.	Description Variation No.	Part No.
<b>Cooling System</b>				<b>Exhaust System</b>			
		(12.5 & 14.5CCO)		Industrial silencer			150201
		Radiator Assembly		Residential silencer			285720
		(radiator only)	PAA-258591	Critical silencer			PA-289715
		Radiator Assembly		Flex exhaust connector		9-inch	X-797-13
		(with motor-driven blower fan)	PAA-258570	Flex exhaust connector		17-inch	X-797-9
		Valve, drain 1/4	X-256-3	<b>Remote Controller Harnesses</b>			
		Elbow, street 1/4 x 1/4	X-555-1	7-1/2-foot remote harness			PA-258704
		Conduit	153395	15-foot remote harness			PA-258705
		Connector, conduit	156327	12-inch remote harness			PA-258763
		Retainer key	258484	pigtail for non-Kohler wiring			
		Radiator	258581	<b>Remote Harnesses</b>			
		Hub, steel	259238	15-Foot Harness			PA-249687
		Bushing, split-tapered	259239	25-Foot Harness			PA-249686
		Plate (2)	259252	<b>Remote Control Cooling Systems</b>			
		Motor, electric	259317	(12.5 CCO & 14.5CCO)			
		Fan	259380	Radiator Assembly			254774
		Fan guard, LH	259468	(radiator only)			PAA-258591
		Fan guard, RH	259469	<b>Remote Start Panel</b>			
		Radiator brace LH	259470	Diode 6A 110V			PAB-249685
		Radiator brace RH	259968	Panel assembly, remote			233959
		Radiator support LH	259472	Tic (expense), cable (2)			B-249685
		Radiator support RH	259992	Panel Remote			X-468-2
		Bracket, fan mounting	259474	Connector, Plug (6 positions)			260105
		Radiator Assembly		Switch, Rocker			269190
		(with motor-driven suction fan)	PAB-258598	<b>Radiator Assembly Requires Customer</b>			
		Radiator	A-254774	Supplied Expansion Tank/Fill			PA-258581
		Valve, drain 1/4	X-256-3	<b>Miscellaneous Accessories</b>			
		Clip, wire 1/2	X-339-6	Machine Aluminum Oil Fill Cap			PA-250640
		Hose clamp (4)	X-426-4	Cap, Oil Fill			250640
		Hose, molded	X-528-13	<b>Generator Paint</b>			
		Elbow, street 1/4 x 1/4	X-555-1	Kohler Cream Beige (gallon)			221322
		Hose, elbow 3 x 3 x 3-1/2	X-600-1	Kohler Cream Beige (spray can)			221323
		Connector, conduit	156327	Kohler Grey			221320
		Retainer key	258484	<b>Coolant overflow kit</b>			
		Bracket	258589				PA-249683
		Radiator bracket	258590				
		Fan	258592				
		Bracket, motor mount	258597				
		Radiator bracket	258604				
		Fan guard	258623				
		Fan shroud	258624				
		Hub, steel	259238				
		Bushing, split-tapered	259239				
		Motor, electric	259317				
		Radiator hose adapter,	259491				
		1-1/4 ID to 1-1/2 ID					
		Radiator hose adapter	259492				
		1-1/4 ID to 1-3/4 ID					

## Notes

## Notes

## Notes







**TP-5228 10/93**

**PRINTED IN U.S.A.**

# **KOHLER**<sup>®</sup> POWER SYSTEMS

KOHLER CO. KOHLER, WISCONSIN 53044  
PHONE 414-565-3381  
FAX 414-459-1646 (North American Sales), 414-459-1614 (International)  
FOR SALES & SERVICE IN U.S.A. & CANADA PHONE 1-800-544-2444