

KOHLER GENERATORS

parts listing for model 7CMZ-RV Low Profile (K582 powered)



specification number series 1402

parts section 54

SERIES 1402

SPECIFICATION NUMBER INDEX

| GROUP TITLE 7 NUMBER | AIR INTAKE | BAFFLES AND SHROUDS | VENT & VALVE COVERS | CAMSHAFT & VALVES | CARBURETOR | CRANKCASE | CRANKSHAFT | CYLINDER HEAD | DIPSTICK | ELECTRIC START | INTAKE & EXHAUST MANIFOLDS | FLYWHEEL | FUEL PUMP MOUNTING | GOVERNOR | IGNITION | OIL PAN |
|-------------------------------|---------------|------------------------|---------------------|-------------------|------------|-----------|------------|---------------|----------|----------------|-------------------------------|----------|--------------------|----------|----------|---------|
| GROUP # | 1 | 2 | 3 | 4 | 5 | 7 | 8 | 9 | 10 | 11 | 12 | 13 | 14 | 17 | 18 | 21 |
| PAGE | 1 | 1 | 2 | 2 | 3 | 4 | 5 | 5 | 6 | 6 | 7 | 7 | 7 | 8 | 10 | 10 |
| SPEC. NO. | VARIATION NO. | | | | | | | | | | | | | | | |
| 140201 | 55 | 56 | 11 | 10 | 47 | 74 | 54 | 12 | 16 | 69 | 71 | 80 | 4 | 28 | 48 | 31 |
| 140202 | 55 | 56 | 11 | 10 | 47 | 74 | 54 | 12 | 16 | 69 | 71 | 80 | 4 | 28 | 48 | 31 |
| 140203 | 55 | 56 | 11 | 10 | 47 | 74 | 54 | 12 | 16 | 69 | 71 | 80 | 4 | 28 | 48 | 31 |
| 140204 | 55 | 56 | 11 | 10 | 47 | 74 | 54 | 12 | 16 | 69 | 71 | 80 | 4 | 28 | 48 | 31 |
| 140205 | 55 | 56 | 11 | 10 | 47 | 74 | 54 | 12 | 16 | 69 | 71 | 80 | 4 | 28 | 48 | 31 |
| 140206 | 55 | 56 | 11 | 10 | 47 | 74 | 54 | 12 | 16 | 69 | 71 | 80 | 4 | 28 | 48 | 31 |
| 140207 | 55 | 56 | 11 | 10 | 47 | 74 | 54 | 12 | 16 | 69 | 71 | 80 | 4 | 28 | 48 | 31 |
| 140208 | 55 | 56 | 11 | 10 | 47 | 74 | 54 | 12 | 16 | 69 | 71 | 80 | 4 | 28 | 48 | 31 |
| 140209 | 55 | 56 | 11 | 10 | 47 | 74 | 54 | 12 | 16 | 69 | 71 | 80 | 4 | 28 | 48 | 31 |
| 140210 | 55 | 56 | 11 | 10 | 47 | 74 | 54 | 12 | 16 | 69 | 71 | 80 | 4 | 28 | 48 | 31 |
| 140211 | 55 | 56 | 11 | 10 | 47 | 74 | 54 | 12 | 16 | 69 | 71 | 80 | 4 | 28 | 48 | 31 |
| 140212 | 55 | 56 | 11 | 10 | 47 | 74 | 54 | 12 | 16 | 69 | 71 | 80 | 4 | 28 | 48 | 31 |
| 140213 | 55 | 56 | 11 | 10 | 47 | 74 | 54 | 12 | 16 | 69 | 71 | 80 | 4 | 28 | 48 | 31 |

| GROUP TITLE 7 NUMBER | PISTON & ROD | OIL PUMP | GEAR COVER | OIL FILTER | OIL PRESSURE CUTOFF | SHORT BLOCK | AIR INTAKE | FUEL SYSTEM | ENGINE | NAMEPLATE & DECALS | SKID & PLANT MTG. | STARTER RELAY | EXHAUST SYSTEM | GENERATOR & MTG. | CONTROLLER & MTG. |
|-------------------------------------|-------------------------|-----------------|-------------------|-------------------|----------------------------|--------------------|-------------------|--------------------|---------------|-------------------------------|------------------------------|----------------------|-----------------------|-----------------------------|------------------------------|
| GROUP # | 22 | 25 | 26 | 29 | 32 | 42 | 101 | 103 | 105 | 107 | 109 | 112 | 116 | 201 | 301 |
| PAGE | 11 | 11 | 12 | 12 | 13 | 13 | 13 | 14 | 14 | 15 | 16 | 17 | 17 | 18 | 20 |
| SPEC. NO. | VARIATION NO. | | | | | | | | | | | | | | |
| 140201 | 7 | 6 | 11 | 12 | 11 | 18 | 2 | 1 | 3 | 25 | 30 | 1 | 12 | 80 | 31 |
| 140202 | 7 | 6 | 11 | 12 | 11 | 18 | 2 | 1 | 3 | 26 | 30 | 1 | 12 | 81 | 32 |
| 140203 | 7 | 6 | 11 | 12 | 11 | 18 | 2 | 1 | 4 | 27 | 33 | 1 | 12 | 81 | 33 |
| 140204 | 7 | 6 | 11 | 12 | 11 | 18 | 2 | 1 | 4 | 29 | 34 | 1 | 12 | 81 | 32 |
| 140205 | 7 | 6 | 11 | 12 | 11 | 18 | 2 | 1 | 4 | 30 | 34 | 1 | 12 | 81 | 33 |
| 140206 | 7 | 6 | 11 | 12 | 11 | 18 | 2 | 1 | 4 | 29 | 35 | 1 | 12 | 81 | 33 |
| 140207 | 7 | 6 | 11 | 12 | 11 | 18 | 2 | 1 | 4 | 30 | 35 | 1 | 12 | 81 | 33 |
| 140208 | 7 | 6 | 11 | 12 | 11 | 18 | 3 | 1 | 4 | 31 | 34 | 1 | 13 | 81 | 32 |
| 140209 | 7 | 6 | 11 | 12 | 11 | 18 | 3 | 1 | 4 | 31 | 35 | 1 | 13 | 81 | 32 |
| 140210 | 7 | 6 | 11 | 12 | 11 | 18 | 3 | 1 | 4 | 32 | 34 | 1 | 13 | 81 | 33 |
| 140211 | 7 | 6 | 11 | 12 | 11 | 18 | 3 | 1 | 4 | 32 | 35 | 1 | 13 | 81 | 33 |
| 140212 | 7 | 6 | 11 | 12 | 11 | 18 | 3 | 1 | 4 | 32 | 36 | 1 | 13 | 81 | 33 |
| 140213 | 7 | 6 | 11 | 12 | 11 | 18 | 3 | 1 | 4 | 35 | 40 | 1 | 13 | 81 | 33 |

INTRODUCTION

This manual contains a complete listing of service replacement parts for Kohler 7 kW Low Profile RV Generator Sets with specification series code 1402. These use the Kohler K582 Engine. The manual includes the following main sections in the sequence listed.

1. *Specification Number Index*: Listing of generator set spec numbers arranged in numerical sequence on each

page. Group variation numbers are listed in the horizontal line to the right of each spec number.

2. *Group Parts List*: Indicates specific parts for each specification. Illustrations of parts are shown for some of the various parts. Illustrations are keyed to the parts numbers found in the parts group listings.

NUMBER SIGNIFICANCE

There are various numbers which must be used in determining how to identify a part number. The significance of each of these numbers is explained as follows:

SPECIFICATION NUMBER: The generator set specification number, which is found on the nameplate attached to the frame of the generator, indicates model variation or the combination of groups used to build that particular generator set. The spec number is, in effect, a coded number. The first four digits, which are the code designation for generator size and engine model, remain constant in this series while the remaining digits in the spec number are issued in numerical sequence. When the sequential number reaches 99, the next number will be 100, for example: 126199 is followed by 1261100 — note that the

spec number goes from a 6 digit to a 7 digit number in this example.

GROUP NUMBER: The group consists of related parts needed to provide one or more related functions.

GROUP VARIATION NUMBER: There may be various groupings of parts designed to provide the same function, however, with minor differences. Each of these differences necessitates the assignment of a group variation number. Example, dry air cleaner or oil bath air cleaner — both perform the same function, however, use different parts.

PART NUMBER: The part number is the number by which an individual piece part of a generator set is identified and ordered.

HOW TO FIND PART NUMBERS

Following is a step-by-step procedure to be used in identifying and ordering a specific part.

Item to be ordered: *ROTOR ASSEMBLY*

STEP 1: Record the *Generator Set* specification number from the nameplate on the generator frame. (Sample: 140201.)

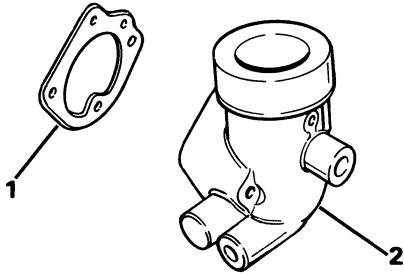
STEP 2: In the Specification Number Index, find specifica-

tion 140201 in the left-hand vertical column. Under Group 201, Generator and Mounting column, locate the variation number assigned to specification 140201. The variation number is 80.

STEP 3: Turn to Part Group 201 — Generator and Mounting. Note the Rotors are identified with Index Number 1 — under this number locate Variation 80. Rotor assembly A-278156 is assigned to this variation.

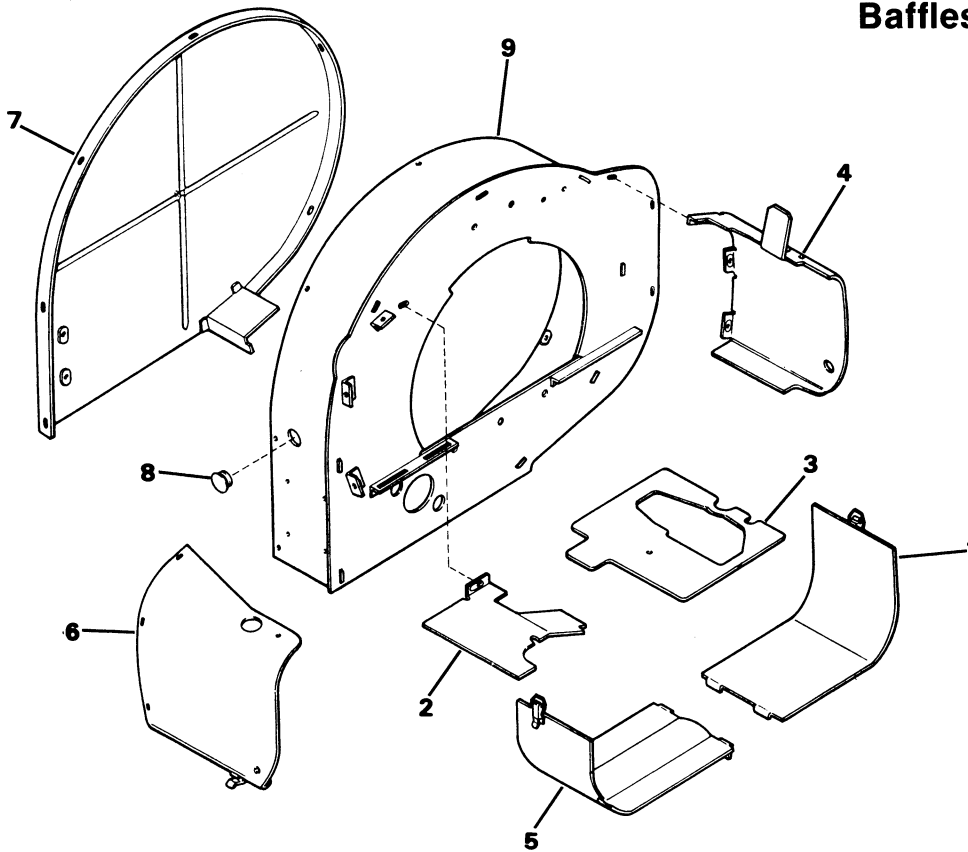
Series 1402

Group 1 Air Intake



| Item | Qty. | Description Variation No. | Part No. |
|------|------|------------------------------|-----------|
| 1 | 1 | Gasket, air cleaner 55 | 277069 |
| 2 | 1 | Elbow, air cleaner 55 | 48 054 22 |

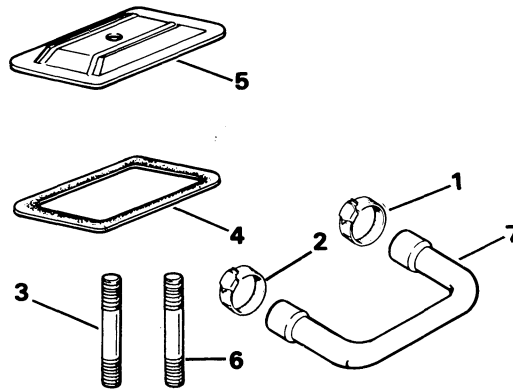
Group 2 Baffles & Shrouds



| Item | Qty. | Description Variation No. | Part No. | Item | Qty. | Description Variation No. | Part No. |
|------|------|-----------------------------------|-----------|------|------|------------------------------|-----------|
| 1 | 1 | Baffle, cylinder barrel #1 56 | 277048 | 6 | 1 | Head Baffle Assembly 56 | 48 063 25 |
| 2 | 1 | Baffle, barrel top 56 | 48 063 20 | 7 | 1 | Cover, scroll 56 | 48 096 12 |
| 3 | 1 | Baffle, top cylinder barrel 56 | 48 063 21 | 8 | 1 | Plug, grommet 56 | 48 139 02 |
| 4 | 1 | Baffle, cylinder head #1 56 | 48 063 22 | 9 | 1 | Scroll Assembly 56 | 48 539 03 |
| 5 | 1 | Baffle, cylinder barrel #2 56 | 48 063 24 | | | | |

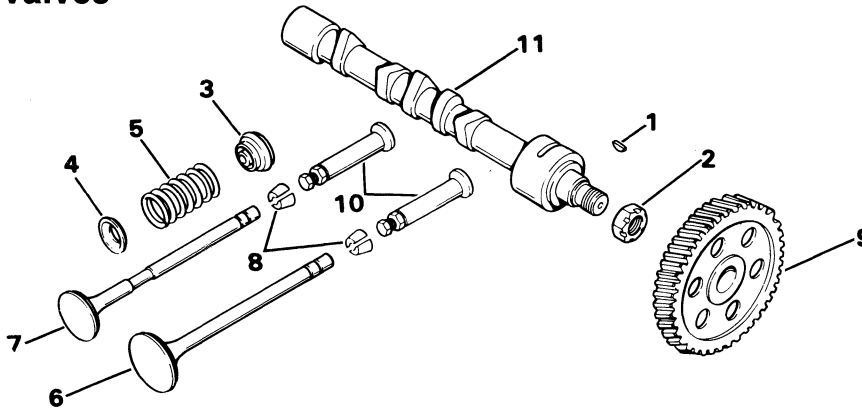
Series 1402

Group 3 Vent & Valve Covers



| Item | Qty. | Description Variation No. | Part No. | Item | Qty. | Description Variation No. | Part No. |
|------|------|------------------------------|----------|------|------|------------------------------|----------|
| 1 | 2 | Clamp, hose 3/4 11 | X-309-11 | 5 | 2 | Cover, valve 11 | 270036 |
| 2 | 1 | Clamp, hose 11 | X-426-3 | 6 | 1 | Stud 11 | 277313 |
| 3 | 1 | Stud, valve cover 11 | 220368 | 7 | 1 | Hose, breather 11 | 277392 |
| 4 | 2 | Gasket, valve cover 11 | 270034 | | | | |

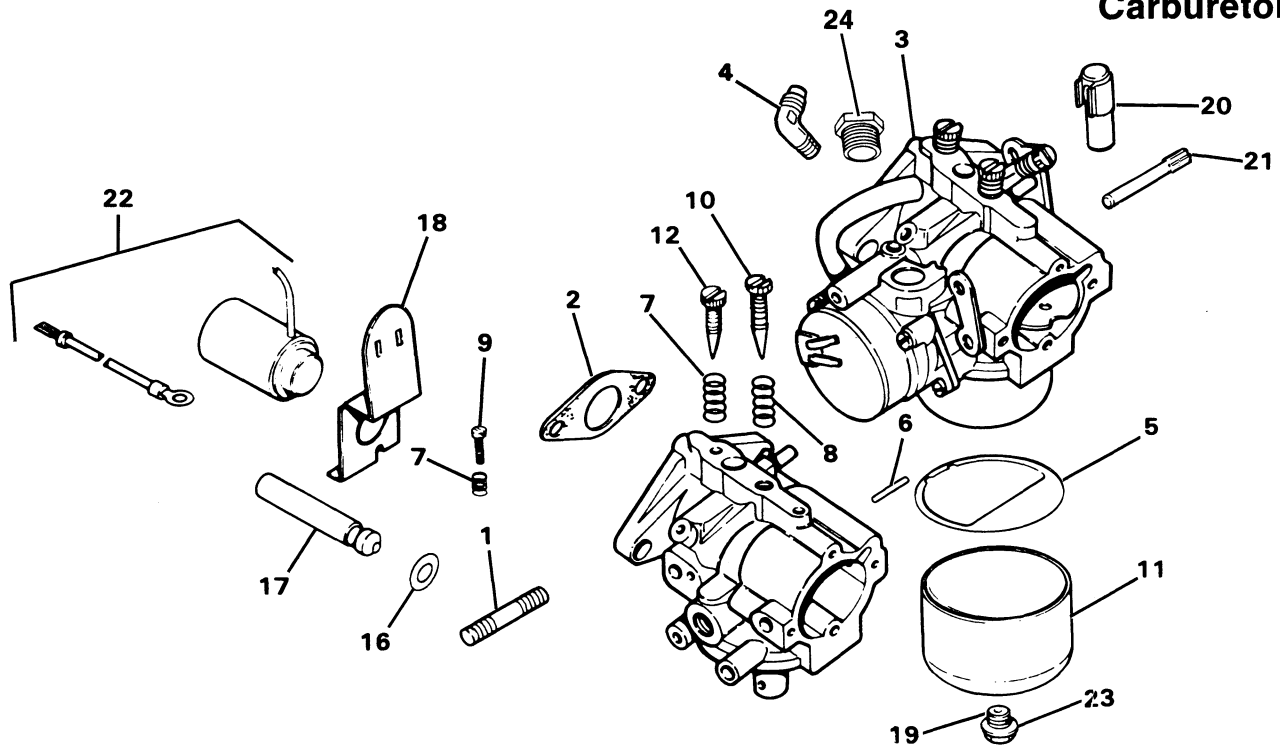
Group 4 Camshaft & Valves



| Item | Qty. | Description Variation No. | Part No. | Item | Qty. | Description Variation No. | Part No. |
|------|------|-------------------------------|----------|------|------|------------------------------|-----------|
| 1 | 1 | Key, woodruff 1/8 x 1/2 10 | X-43-1 | 7 | 2 | Valve, exhaust 10 | 237672 |
| 2 | 1 | Nut, jam 3/4-16 10 | X-119-17 | 8 | 8 | Key, valve spring 10 | 240013 |
| 3 | 4 | Rotator, valve 10 | 230020 | 9 | 1 | Gear, cam 10 | 277012 |
| 4 | 4 | Retainer, spring 10 | 235011 | 10 | 4 | Tappet 10 | D-277031 |
| 5 | 4 | Spring, exhaust valve 10 | 235168 | 11 | 1 | Camshaft 10 | 48 012 01 |
| 6 | 2 | Valve, intake 10 | 235582 | | | | |

Series 1402

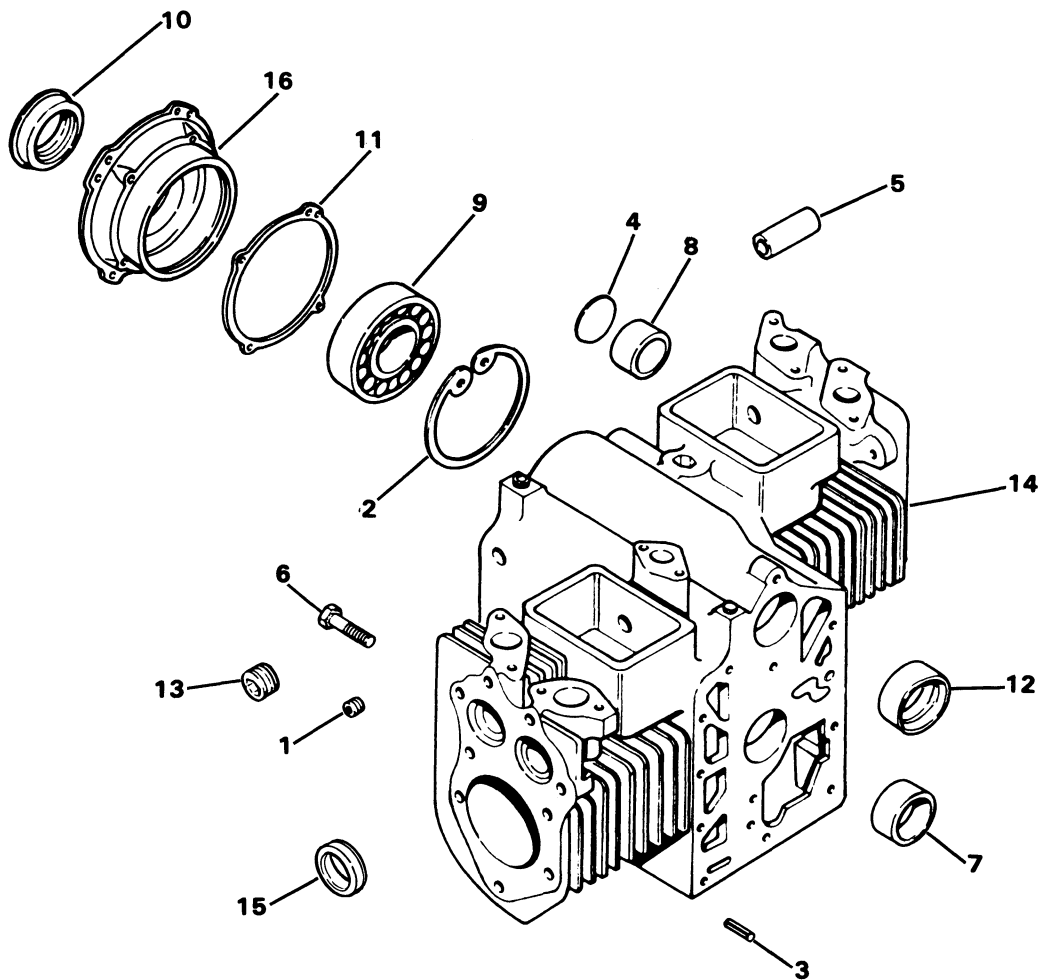
Group 5 Carburetor



| Item | Qty. | Description Variation No. | Part No. | Item | Qty. | Description Variation No. | Part No. |
|------|------|---|-----------|------|------|---|-----------|
| 1 | 2 | Stud, 5/16-24 x 1 47 | X-352-10 | 14 | 1 | Carburetor Repair Kit (includes bowl nut gasket, bowl ring gasket, float pin, bowl gasket, needle valve, needle seat gasket and seat body)—not shown 47 | 25 757 02 |
| 2 | 1 | Gasket, carburetor 47 | 271030 | 15 | | Float Repair Kit (includes bowl gasket and Float Assembly)—not shown 47 | 25 757 03 |
| 3 | 1 | Carburetor Assembly 47 | 48 053 31 | 16 | 1 | O-Ring 47 | 41 141 03 |
| 4 | 1 | Elbow, 7/16-20 x 1/8 47 | X-447-10 | 17 | 1 | Plunger, solenoid 47 | 41 385 01 |
| 5 | 1 | Gasket, bowl 47 | 200375 | 18 | 1 | Bracket, solenoid 47 | 45 126 12 |
| 6 | 1 | Pin, float lever 47 | 200376 | 19 | 1 | Nut, bowl (includes nut gasket) 47 | 45 126 12 |
| 7 | 2 | Spring, idle fuel 47 | 200380 | 20 | 1 | Body, ball joint 47 | 48 208 40 |
| 8 | 1 | Spring, main fuel adjusting 47 | 200383 | 21 | 1 | Pin, throttle stop 47 | 48 380 03 |
| 9 | 1 | Spring, idle speed adjusting 47 | 234945 | 22 | 1 | Solenoid Assembly (includes solenoid, plumber, O-ring, leads and terminals) 47 | 48 435 12 |
| 10 | 1 | Screw, main fuel adjusting 47 | 52 103 01 | 23 | 1 | Gasket, bowl nut (also includes in Carburetor Repair Kit) 47 | 200372 |
| 11 | 1 | Bowl, carburetor 47 | 235448 | 24 | 1 | Adapter, pipe 47 | 25 029 02 |
| 12 | 1 | Screw, idle adjusting 47 | 277210 | | | | |
| 13 | | Choke Repair Kit (includes Choke Lever Assembly, retainers, gasket, Pin Housing Assembly and baffle plate)—not shown 47 | 277469 | | | | |

Series 1402

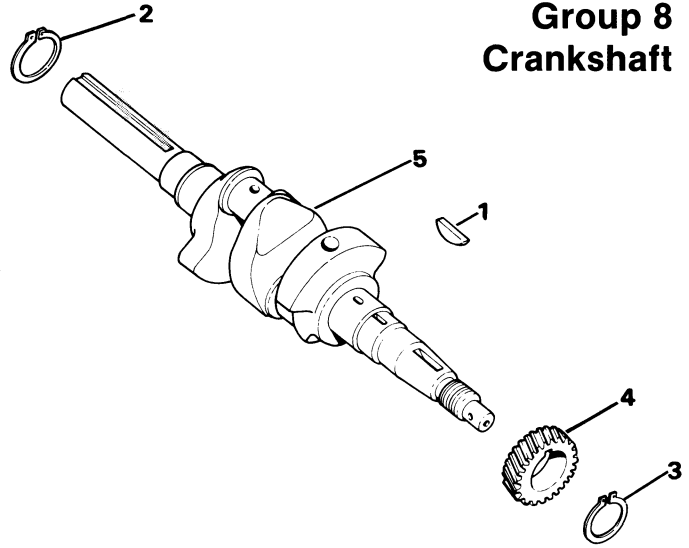
Group 7 Crankcase



| Item | Qty. | Description Variation No. | Part No. | Item | Qty. | Description Variation No. | Part No. |
|------|------|---------------------------------|-----------|------|------|---------------------------------|-----------|
| 1 | 3 | Plug, allen pipe NPTF 1/8 74 | X-75-23 | 11 | 1 | Gasket, closure plate 74 | 277087 |
| 2 | 1 | Ring, retaining 74 | X-269-31 | | 1 | Gasket, rear closure .005 74 | 277103 |
| 3 | 2 | Pin, 3/16 x 5/8 74 | X-599-2 | | 1 | Gasket, rear closure .010 74 | 277115 |
| 4 | 1 | Plug, welch 74 | 160037 | 12 | 1 | Bearing 74 | 48 030 03 |
| 5 | 4 | Guide, valve 74 | 235007-S* | | 1 | Bearing, main .010 74 | 48 030 04 |
| 6 | 4 | Screw, cylinder head 74 | 270956 | | 1 | Bearing, main .020 74 | 48 030 05 |
| 7 | 1 | Bushing, camshaft front 74 | 48 158 02 | 13 | 2 | Pipe, plug 74 | 47 139 01 |
| 8 | 1 | Bushing, camshaft rear 74 | 277039 | 14 | 1 | Cylinder Block Assembly 74 | 48 007 08 |
| 9 | 1 | Bearing, ball 74 | 277062 | 15 | 2 | Insert, intake valve 74 | 230265* |
| 10 | 1 | Seal, rear oil 74 | 277065 | 16 | 1 | Plate, closure 74 | 48 009 01 |

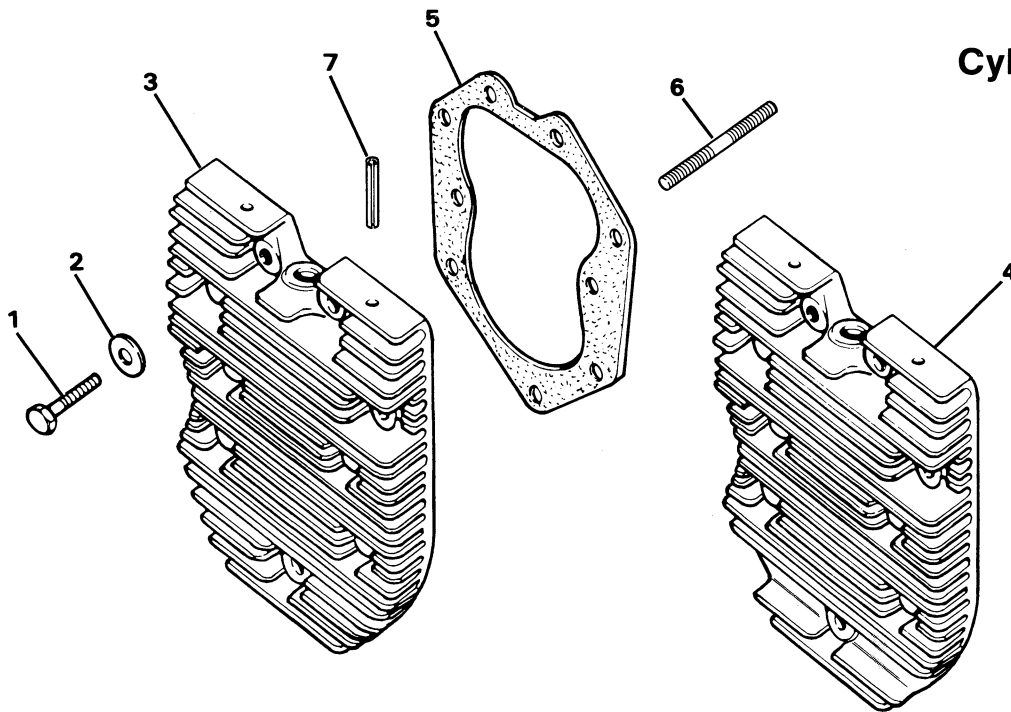
Series 1402

Group 8 Crankshaft



| Item | Qty. | Description Variation No. | Part No. |
|------|------|--------------------------------|-----------|
| 1 | 1 | Key, woodruff 3/16 x 5/8 54 | X-42-15 |
| 2 | 1 | Ring, retaining 54 | X-269-30 |
| 3 | 1 | Ring, retaining 54 | X-269-32 |
| 4 | 1 | Gear, crankshaft 54 | 277009 |
| 5 | 1 | Crankshaft 54 | 48 014 14 |

Group 9 Cylinder Head

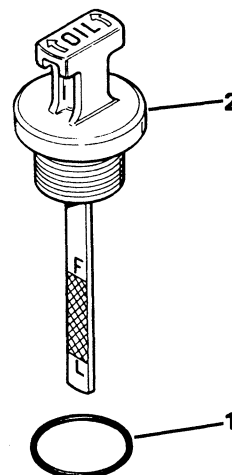


| Item | Qty. | Description Variation No. | Part No. | Item | Qty. | Description Variation No. | Part No. |
|------|------|--------------------------------------|-----------|------|------|------------------------------|-----------|
| 1 | 17 | Screw, hex head 3/8-16 x 1-1/2 12 | 270158 | 5 | 1 | Gasket, cylinder head 12 | 48 052 01 |
| 2 | 18 | Washer 3/8 12 | 270889 | 6 | 1 | Stud 12 | 48 072 05 |
| 3 | 1 | Head, cylinder 12 | 48 015 03 | 7 | 1 | Pin, roll 12 | 48 133 03 |
| 4 | 1 | Head, cylinder (service side) 12 | 48 015 04 | | | | |

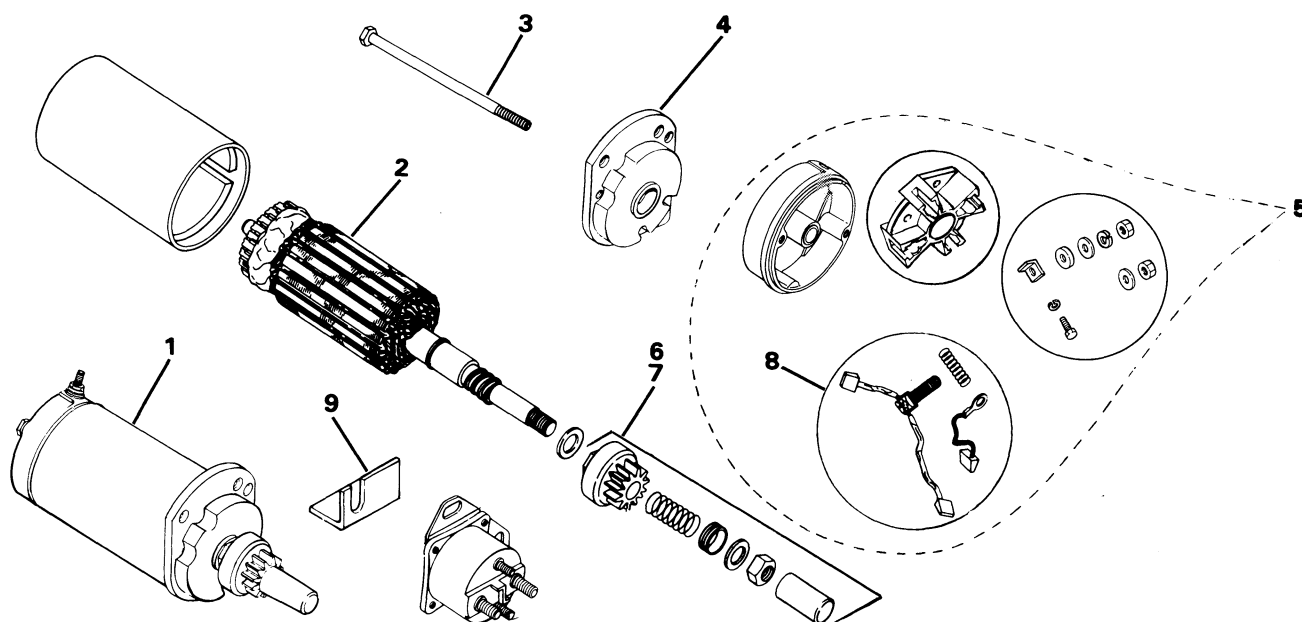
Series 1402

Group 10 Dipstick

| Item | Qty. | Description Variation No. | Part No. |
|------|------|------------------------------|-----------|
| 1 | 1 | O-Ring 16 | 48 153 03 |
| 2 | 1 | Dipstick, oil fill 16 | 48 038 02 |



Group 11 Electric Start

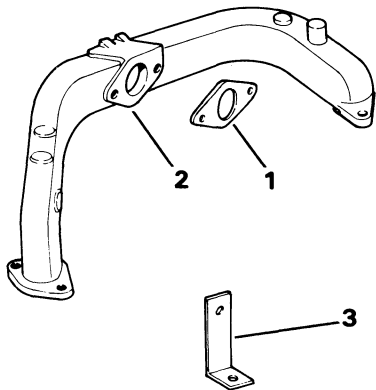


| Item | Qty. | Description Variation No. | Part No. | Item | Qty. | Description Variation No. | Part No. |
|------|------|------------------------------|-----------|------|------|--|-----------|
| 1 | 1 | Starter Assembly 69 | 48 098 01 | 6 | 1 | Kit, starter drive 69 | 48 755 02 |
| 2 | 1 | Armature Assembly 69 | 277605 | 7 | 1 | Kit, drive parts (does not include drive) 69 | 48 755 13 |
| 3 | 1 | Bolt, thru 69 | 48 211 01 | 8 | 1 | Kit, brush and spring 69 | 48 755 15 |
| 4 | 1 | Cap, drive end 69 | 48 227 02 | 9 | 1 | Bracket, starter support 69 | 48 161 04 |
| 5 | 1 | Cap, commutator end 69 | 48 227 04 | | | | |

NOTE: Starter Relay and related hardware in Group 112, Starter

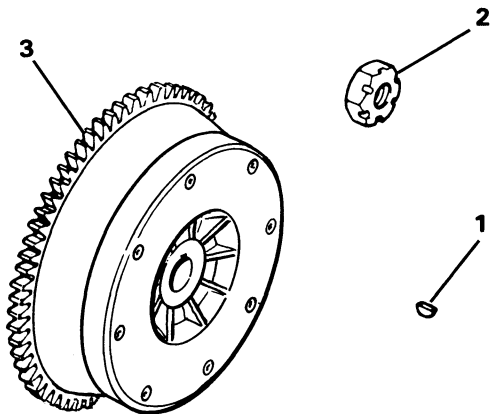
Series 1402

Group 12 Intake and Exhaust Manifolds



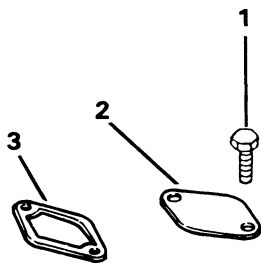
| Item | Qty. | Description | |
|------|------|------------------------|-----------|
| | | Variation No. | Part No. |
| 1 | 2 | Gasket, manifold 71 | 48 052 02 |
| 2 | 1 | Manifold, intake 71 | 48 164 10 |
| 3 | 2 | Strap, lifting 71 | 52 445 02 |

Group 13 Flywheel



| Item | Qty. | Description | |
|------|------|---|-----------|
| | | Variation No. | Part No. |
| 1 | 1 | Key, woodruff 1/4 x 1 80 | X-45-3 |
| 2 | 1 | Nut, lock 80 | 277595 |
| 3 | 1 | Flywheel Assembly (includes ring gear) 80 | 48 025 28 |

Group 14 Fuel Pump Mounting

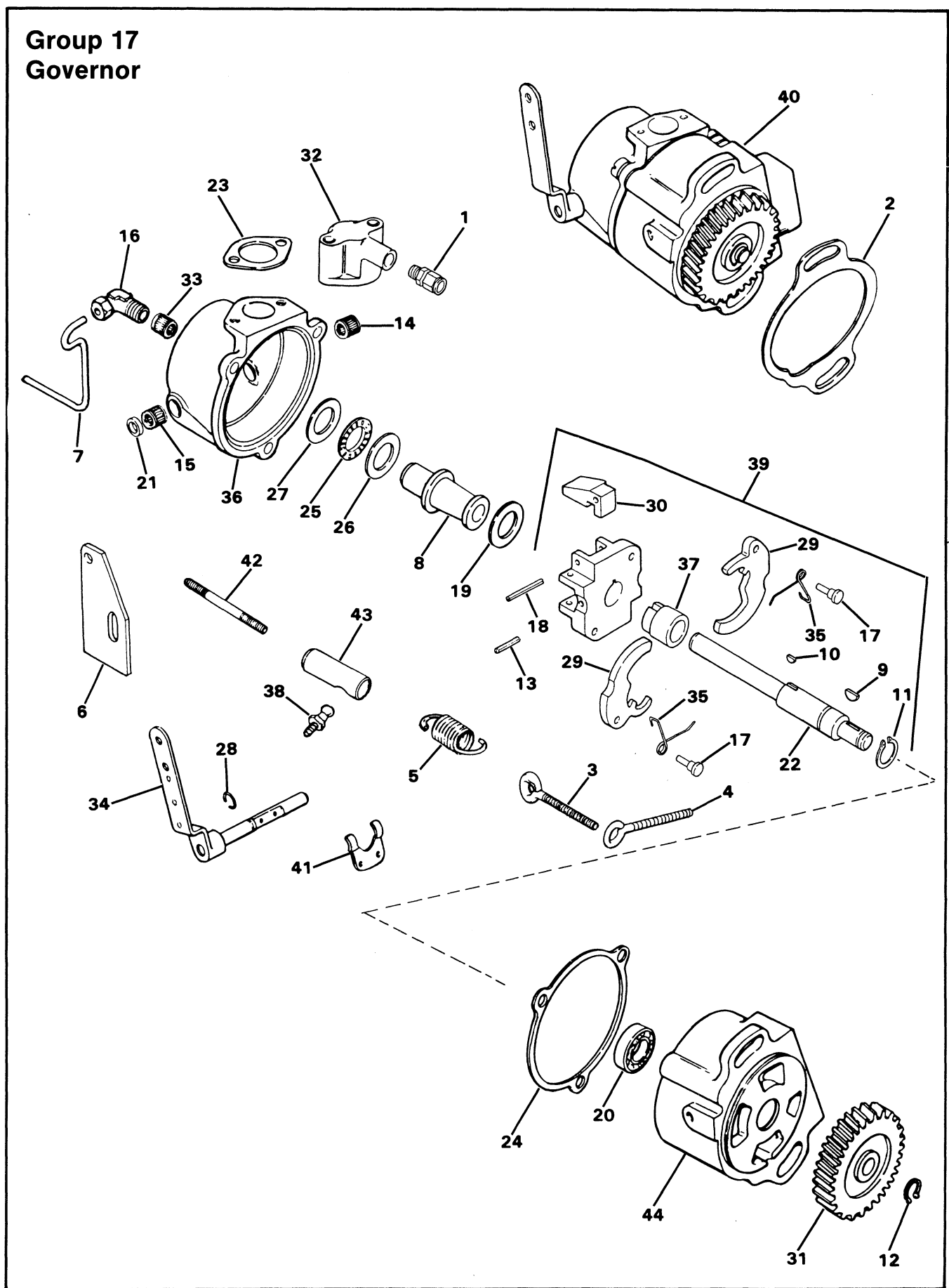


| Item | Qty. | Description | |
|------|------|-----------------------------------|-----------|
| | | Variation No. | Part No. |
| 1 | 2 | Screw, hex head 1/4-20 x 5/8 4 | X-132-5 |
| 2 | 1 | Plate, pump pad 4 | 240282 |
| 3 | 1 | Gasket, fuel pump 4 | 47 041 04 |

NOTE: Fuel Pump and related hardware in Group 103, Fuel System

Series 1402

Group 17
Governor



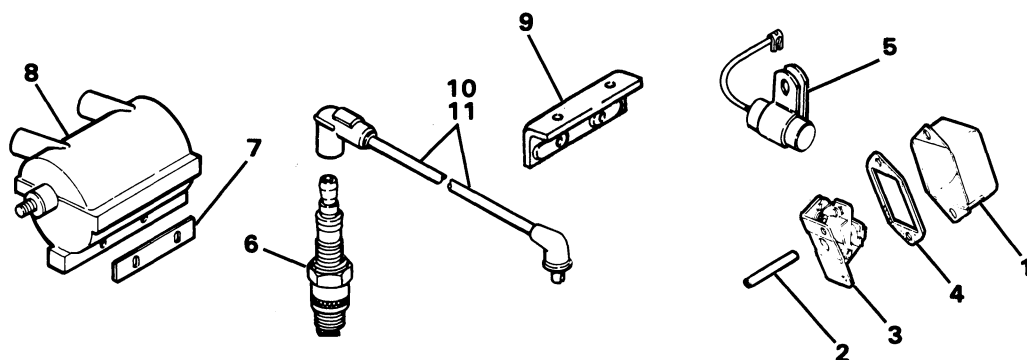
Group 17 Governor

| Item | Qty. | Description Variation No. | Part No. | Item | Qty. | Description Variation No. | Part No. |
|------|------|--------------------------------|-----------|------|------|------------------------------------|------------|
| 1 | 1 | Union 1/8 x 1/8 28 | X-343 | 23 | 1 | Gasket, breather 28 | 277073 |
| 2 | 1 | Gasket, governor housing 28 | 277078 | 24 | 1 | Gasket, governor cover 28 | 277099 |
| 3 | 1 | Screw, adjusting 1/4-20 28 | 277333 | 25 | 1 | Bearing, roller thrust 28 | 277100 |
| 4 | 1 | Screw, eye 28 | 48 086 13 | 26 | 1 | Race, thrust bearing 28 | 277101 |
| 5 | 1 | Spring, governor 28 | 48 091 01 | 27 | 1 | Race, thrust bearing 28 | 277102 |
| 6 | 1 | Bracket, control 28 | 48 126 18 | 28 | 1 | Ring, retaining 28 | 277104 |
| 7 | 1 | Line, oil 28 | 48 353 05 | 29 | 2 | Flyweight, spark advance 28 | 277114* |
| 8 | 1 | Sleeve Kit 28 | 48 755 01 | 30 | 4 | Weight, governor 28 | 277117* |
| 9 | 1 | Key, woodruff 3/32 x 3/8 28 | X-42-2 | 31 | 1 | Gear, governor 28 | 277561 |
| 10 | 1 | Key, woodruff 1/16 x 1/4 28 | X-42-8* | 32 | 1 | Breather (includes valve) 28 | A-277905 |
| 11 | 1 | Ring, retaining 28 | X-269-4* | 33 | 1 | Bearing, needle 28 | 48 030 02 |
| 12 | 1 | Ring, retaining 28 | X-269-15 | 34 | 1 | Governor Lever Assembly 28 | 48 087 03 |
| 13 | 2 | Pin, roll 3/32 x 3/4 28 | X-280-8* | 35 | 2 | Spring, spark 28 | 48 089 01* |
| 14 | 1 | Bearing, needle 28 | X-293-2 | 36 | 1 | Cover, governor 28 | 48 096 05 |
| 15 | 1 | Bearing, needle 28 | X-293-3 | 37 | 1 | Cam, breaker 28 | 48 149 04* |
| 16 | 1 | Elbow, tube 1/8 x 1/8 28 | X-324-7 | 38 | 1 | Screw, ball 28 | 48 194 01 |
| 17 | 2 | Pin, fly weight pivot 28 | 230080* | 39 | 1 | Governor Shaft Assembly 28 | 48 420 08 |
| 18 | 4 | Pin, roll 28 | 230134* | 40 | 1 | Governor Kit 28 | 48 310 28 |
| 19 | 1 | Shim 28 | 237022 | 41 | 1 | Yoke, governor 28 | 48 471 02 |
| 20 | 1 | Bearing, ball 28 | 240202 | 42 | 1 | Rod, throttle 28 | 271151 |
| 21 | 1 | Seal, oil 28 | 275055 | 43 | 1 | Body, ball joint 28 | 48 208 40 |
| 22 | 1 | Shaft, governor 28 | 277007* | 44 | 1 | Housing, governor 28 | 48 081 02 |

*Included in Item 39, Governor Shaft Assembly

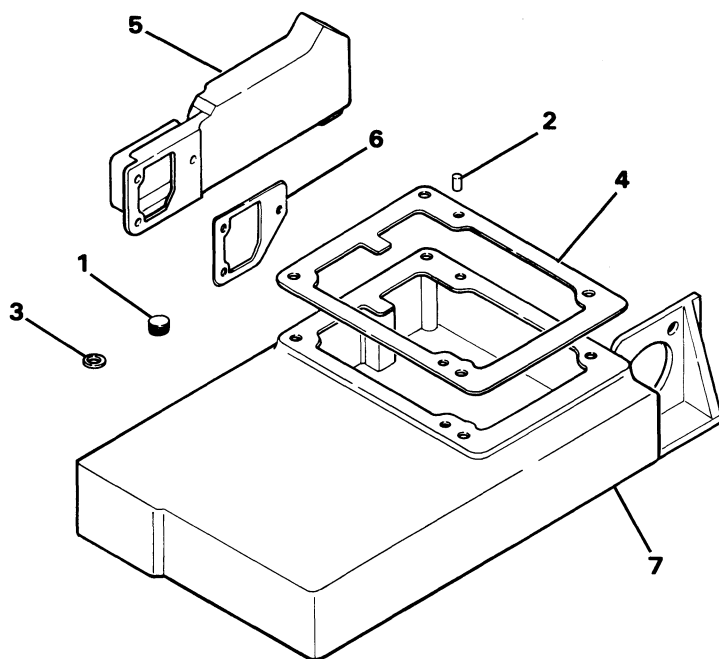
Series 1402

Group 18 Ignition



| Item | Qty. | Description Variation No. | Part No. | Item | Qty. | Description Variation No. | Part No. |
|------|------|------------------------------|-----------|------|------|------------------------------|-----------|
| 1 | 1 | Cover, breaker 48 | 232535 | 7 | 1 | Plate, coil mounting 48 | 271694 |
| 2 | 1 | Rod, breaker push 48 | X-489-8 | 8 | 1 | Coil, ignition 48 | 277375 |
| 3 | 1 | Breaker 48 | 48 150 03 | 9 | 1 | Bracket, mounting 48 | 48 126 16 |
| 4 | 1 | Gasket, point cover 48 | 52 041 11 | 10 | 1 | Lead, high tension 48 | 48 348 02 |
| 5 | 1 | Condenser 48 | 230722 | 11 | 1 | Lead, high tension 48 | 48 348 04 |
| 6 | 2 | Plug, spark 48 | 235041-S | | | | |

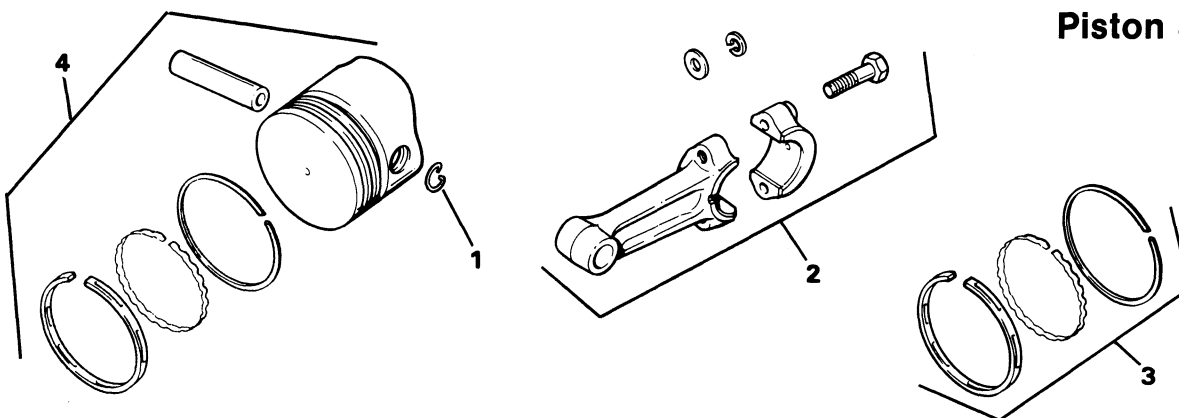
Group 21 Oil Pan



| Item | Qty. | Description Variation No. | Part No. | Item | Qty. | Description Variation No. | Part No. |
|------|------|------------------------------|----------|------|------|--------------------------------|-----------|
| 1 | 2 | Plug, pipe NPTF 3/8 31 | X-75-32 | 5 | 1 | Adapter, oil fill 31 | 48 029 09 |
| 2 | 2 | Pin, dowel 31 | 230125-S | 6 | 1 | Gasket, oil fill adapter 31 | 48 041 09 |
| 3 | 3 | Washer, 3/8 31 | 270889 | 7 | 1 | Pan, oil 31 | 48 199 32 |
| 4 | 1 | Gasket, oil pan 31 | 277014 | | | | |

Series 1402

Group 22 Piston & Rod

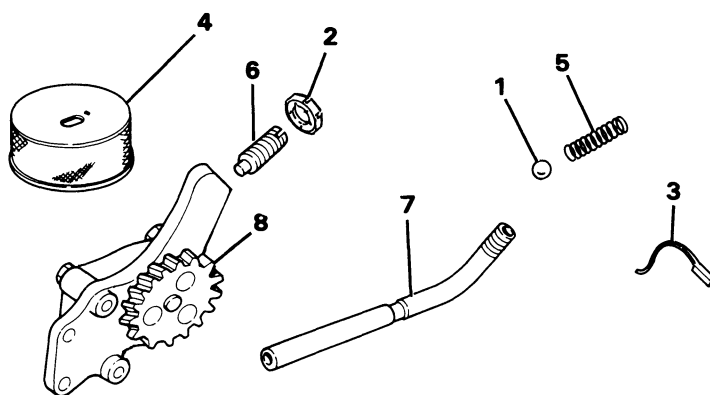


| Item | Qty. | Description Variation No. | Part No. |
|------|------|---|-----------|
| 1 | 4 | Retainer 7 | 47 018 01 |
| 2 | 2 | Connecting Rod Assembly (std) 7 | 48 067 12 |
| | AR | Connecting Rod Assembly (.010 U.S.) 7 | 48 067 13 |
| 3 | 2 | Ring Set (std. & .003) 7 | 48 108 05 |
| | 2 | Ring Set (.010) 7 | 48 108 06 |
| | 2 | Ring Set (.020) 7 | 48 108 07 |
| | 2 | Ring Set (.030) 7 | 48 108 08 |

| Item | Qty. | Description Variation No. | Part No. |
|------|------|------------------------------|------------|
| 4 | 2 | Piston w/Rings (std.) 7 | 48 874 06* |
| | 2 | Piston w/Rings (.003) 7 | 48 874 07* |
| | 2 | Piston w/Rings (.010) 7 | 48 874 08* |
| | 2 | Piston w/Rings (.020) 7 | 48 874 09* |
| | 2 | Piston w/Rings (.030) 7 | 48 874 10* |

*Includes Pin and Retainers

Group 25 Oil Pump

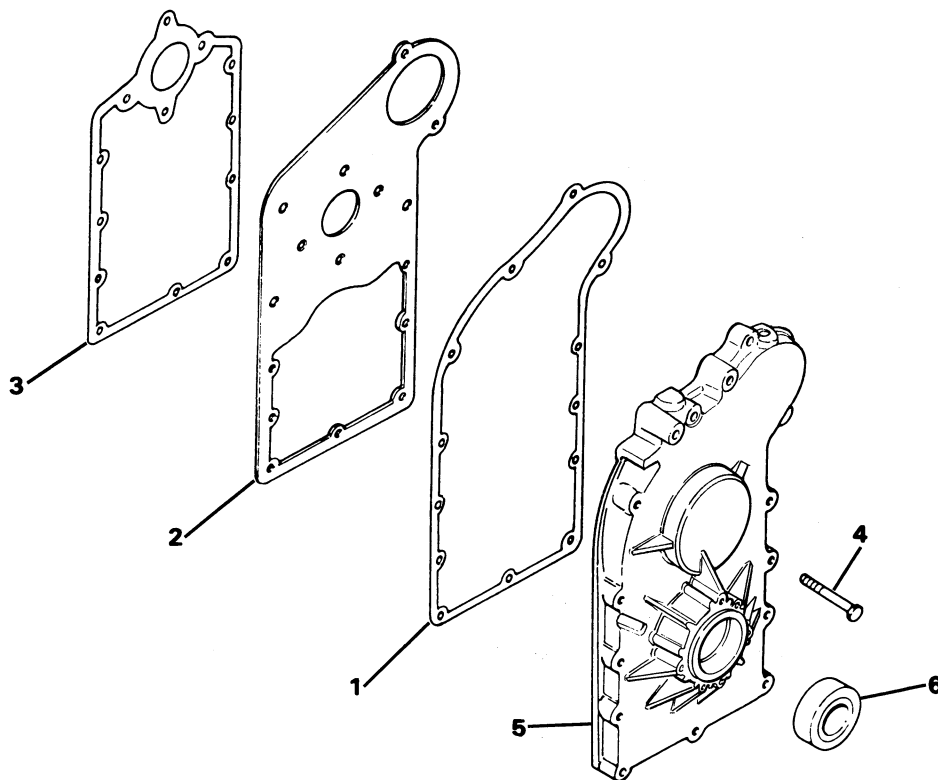


| Item | Qty. | Description Variation No. | Part No. |
|------|------|------------------------------|----------|
| 1 | 1 | Ball, steel 5/16 6 | X-212-3 |
| 2 | 1 | Nut, lock 1/8-27 6 | X-629-1 |
| 3 | 1 | Clip, oil tube 6 | 270085 |
| 4 | 1 | Strainer, oil 6 | 277202 |

| Item | Qty. | Description Variation No. | Part No. |
|------|------|------------------------------|-----------|
| 5 | 1 | Spring, oil relief 6 | 48 089 03 |
| 6 | 1 | Screw, oil 6 | 277964 |
| 7 | 1 | Tube, oil inlet 6 | 48 123 03 |
| 8 | 1 | Oil Pump Assembly 6 | 48 393 23 |

Series 1402

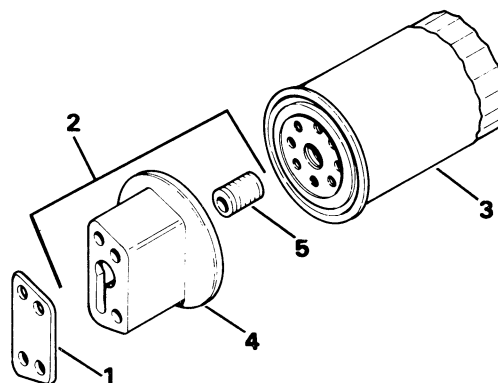
Group 26 Gear Cover



| Item | Qty. | Description Variation No. | Part No. | Item | Qty. | Description Variation No. | Part No. |
|------|------|--------------------------------|----------|------|------|--|-----------|
| 1 | 1 | Gasket, gear cover 11 | 277020 | 4 | 2 | Screw, gear cover 5/16-18 x 1-3/4 11 | 277086 |
| 2 | 1 | Plate, gear cover 11 | 277021 | 5 | 1 | Cover, gear 11 | 48 096 11 |
| 3 | 1 | Gasket, gear cover plate 11 | 277022 | 6 | 1 | Seal, oil 11 | 52 032 08 |

Group 29 Oil Filter

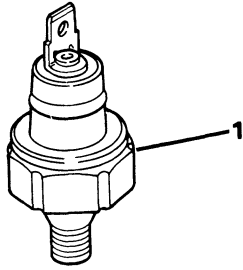
| Item | Qty. | Description Variation No. | Part No. |
|------|------|--------------------------------|------------|
| 1 | 1 | Gasket 12 | 48 041 03 |
| 2 | 1 | Adapter, filter assembly 12 | 48 180 03 |
| 3 | 1 | Filter, oil 12 | 52 050 02 |
| 4 | 1 | Adapter, oil filter 12 | 48 029 02* |
| 5 | 1 | Nipple, oil filter 12 | 277234* |



*Included in Item 2, Adapter, Filter Assembly

Series 1402

Group 32 Oil Pressure Cutout



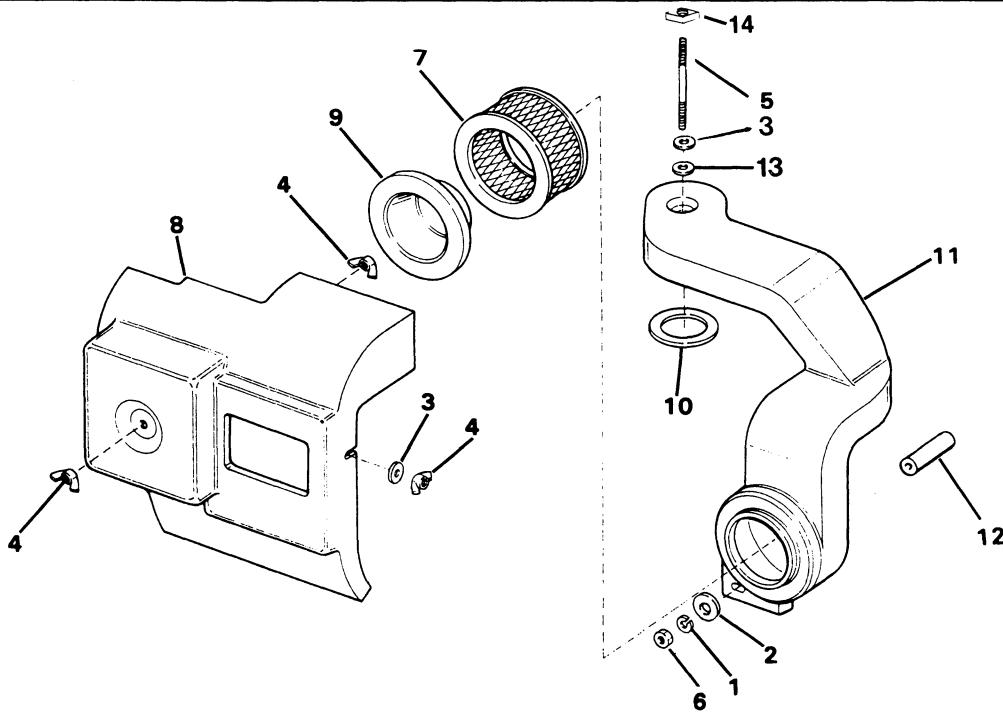
| Item | Qty. | Description Variation No. | Part No. |
|------|------|------------------------------|-----------|
| 1 | 1 | Switch, oil pressure 11 | 48 099 07 |

Group 42 Short Block

| Item | Qty. | Description Variation No. | Part No. |
|------|------|------------------------------|------------|
| 1 | 1 | Short Block Assembly 18 | 48 522 36* |

*Includes camshaft, crankshaft, oil pump, piston and valve assemblies.

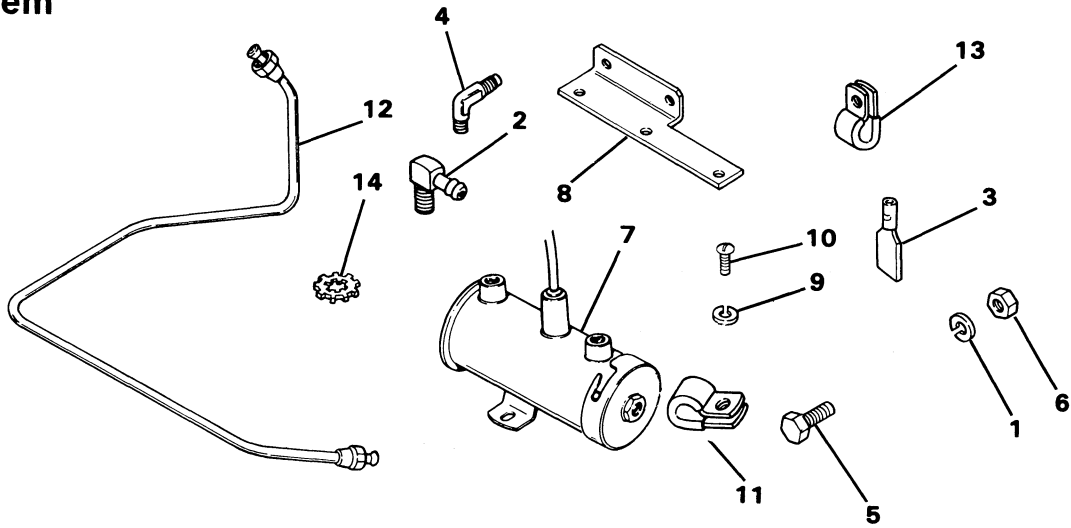
Group 101 Air Intake



| Item | Qty. | Description Variation No. | Part No. | Item | Qty. | Description Variation No. | Part No. |
|------|------|---|----------|------|------|------------------------------|-----------|
| 1 | 2 | Washer, split lock #10 2, 3 | X-19-1 | 8 | 1 | Cover, air cleaner 2, 3 | 278167 |
| 2 | 2 | Washer, plain $1\frac{3}{64}$ x $\frac{3}{4}$ x $\frac{1}{16}$ 2, 3 | X-25-45 | 9 | 1 | Seal, air cleaner 2, 3 | 278173 |
| 3 | 2 | Washer, plain $1\frac{7}{64}$ x $\frac{3}{4}$ x $\frac{1}{16}$ 2, 3 | X-25-52 | 10 | 1 | Gasket, air cleaner 2, 3 | 278176 |
| 4 | 3 | Nut, wing $\frac{1}{4}$ -20 2, 3 | X-276-7 | 11 | 1 | Duct, air intake 2, 3 | 278185 |
| 5 | 1 | Stud $\frac{1}{4}$ -20 x $3\frac{7}{8}$ 2, 3 | X-352-14 | 12 | 1 | Spacer 2, 3 | X-400-151 |
| 6 | 2 | Nut, hex 10-24 2, 3 | X-70-2 | 13 | 1 | Washer, rubber 2, 3 | 278229 |
| 7 | 1 | Element, air cleaner 2, 3 | 277759 | 14 | 1 | Nut, elastic stop 2, 3 | X-101-8 |

Series 1402

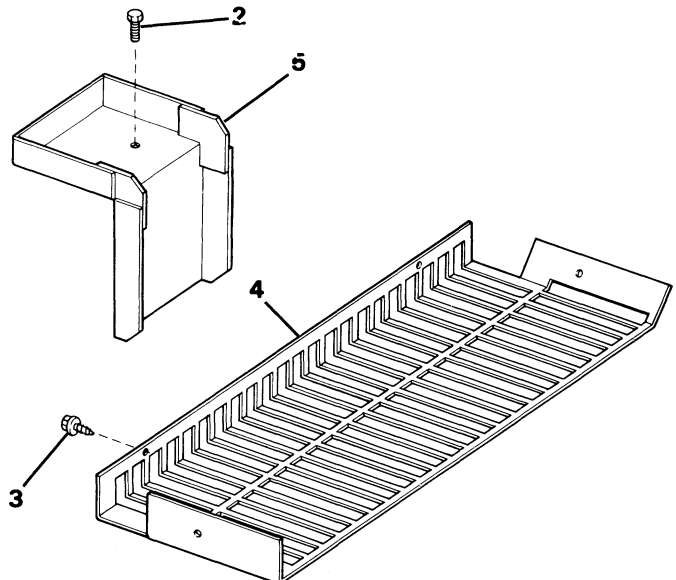
Group 103 Fuel System



| Item | Qty. | Description Variation No. | Part No. | Item | Qty. | Description Variation No. | Part No. |
|------|------|----------------------------------|----------|------|------|--|----------|
| 1 | 1 | Washer, split lock 1/4 1 | X-20-1 | 8 | 1 | Bracket, fuel pump 1 | 278175 |
| 2 | 1 | Connector, hose 1/8 x 1 1 | X-391-1 | 9 | 1 | Washer, split lock #10 1 | X-19-1 |
| 3 | 1 | Terminal 1 | X-431-38 | 10 | 1 | Screw, R.H.M. 10-24 x 3/8 1 | X-50-13 |
| 4 | 1 | Elbow, 7/16-20 x 1/8 1 | X-447-10 | 11 | 1 | Clamp, insulated 1 | X-672-14 |
| 5 | 2 | Screw, H.C. 1/4-20 x 5/8 1 | X-5-1 | 12 | 1 | Line, fuel pump 1 | 278174 |
| 6 | 1 | Nut, hex 1/4-20 1 | X-81-1 | 13 | 1 | Clamp 1 | X-672-10 |
| 7 | 1 | Electric Fuel Pump Assembly 1 | 277818 | 14 | 2 | Washer, lock internal/external tooth 1/4 1 | X-22-12 |

Group 105 Engine

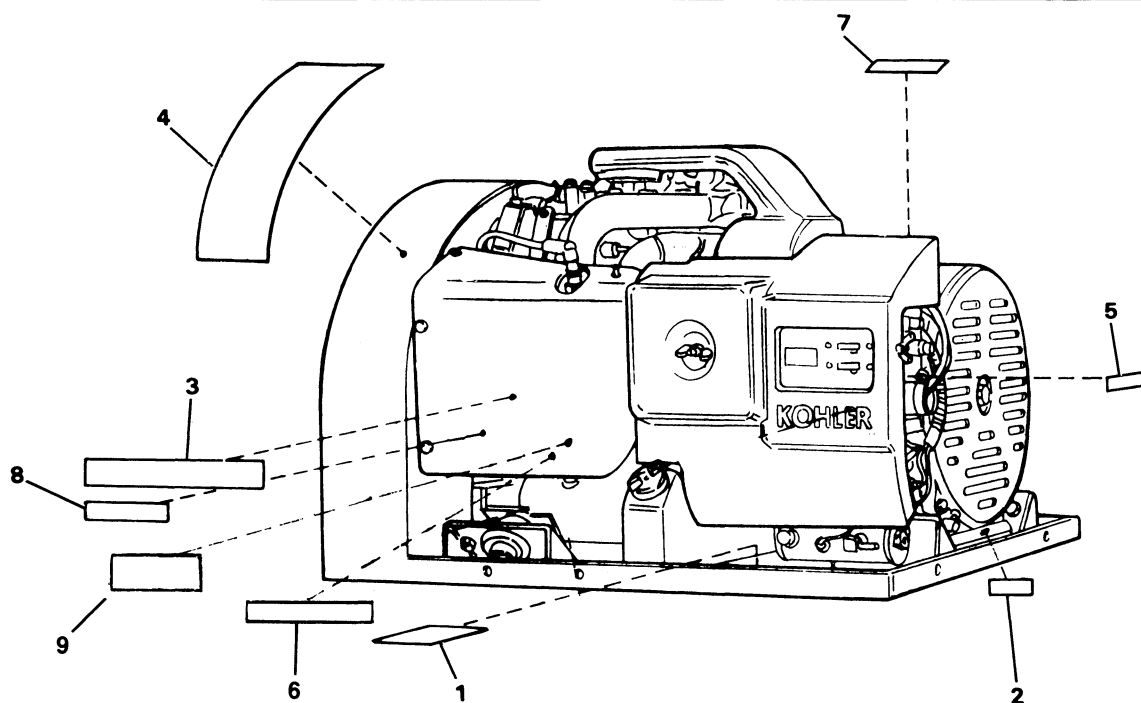
| Item | Qty. | Description Variation No. | Part No. |
|------|------|----------------------------------|----------|
| 1 | 1 | Engine Assembly (not shown) 3 | A-278183 |
| | 1 | Engine Assembly (not shown) 4 | B-278183 |
| 2 | 4 | Screw, hex head 10-24 x 1/2 3 | X-67-52 |
| 3 | 4 | Screw, drill 3 | X-794-2 |
| | 5 | Screw, drill 4 | X-794-2 |
| 4 | 1 | Guard, air vac 3, 4 | 278209 |
| 5 | 1 | Shield, fuel line 3 | 278225 |
| | 1 | Shield, fuel line 4 | 278267 |



Series 1402

Group 107 Nameplate & Decals

| Item | Qty. | Description Variation No. | Part No. | Item | Qty. | Description Variation No. | Part No. |
|------|------|---|---------------|------|------|--|---------------|
| 1 | 1 | Decal, positive terminal warning 25, 26, 27, 29, 30, 31, 32, 35 | 238402 | 6 | 1 | Decal, installation warning 25, 26, 27, 29, 30, 31, 32, 35 | 237998 |
| 2 | 1 | Decal, equipment ground 25, 26, 27, 29, 30, 31, 32, 35 | 238575 | 7 | 1 | Decal, rec. vehicle listed 25, 26 | 259282 |
| 3 | 1 | Decal, Kohler 7000 25, 26, 27, 29, 30, 31, 32, 35 | 278137 | 1 | 1 | Decal, rec. vehicle listed 27, 29, 30, 31, 32, 35 | 238092 |
| 4 | 1 | Decal, service schedule 25, 26, 27, 29, 30, 31, 32, 35 | 278197 | 8 | 1 | Decal, oil filter 25, 26, 27, 29, 30, 31, 32, 35 | 278222 |
| 5 | 1 | Decal, 10 amp. fuse 25, 26, 27, 29, 30, 31, 32, 35 | 241771 | 9 | 1 | Decal, "Back Feed" warning 27, 29, 30, 31, 32, 35 | 239587 |



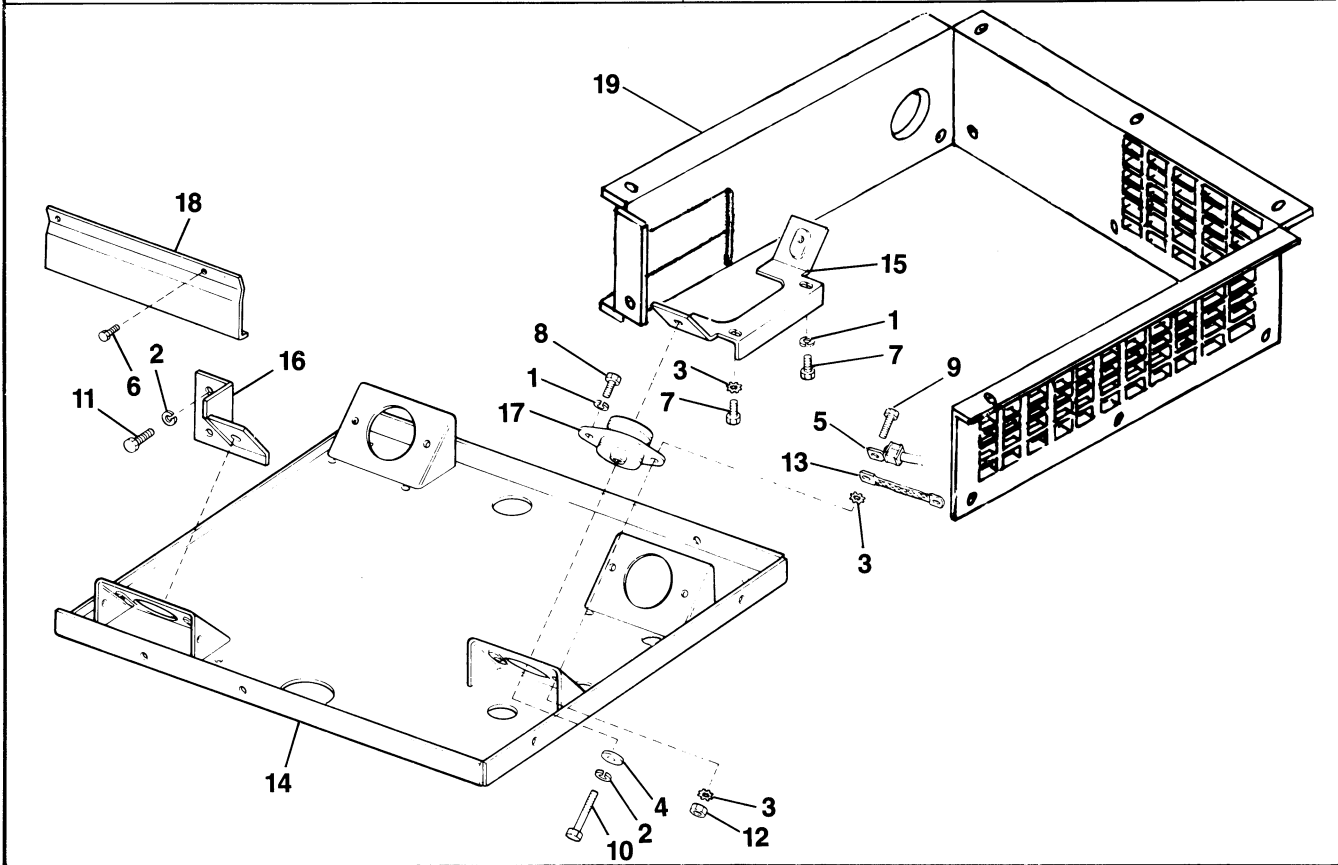
Group 109 Skid & Plant Mounting

| Item | Qty. | Description Variation No. | Part No. | Item | Qty. | Description Variation No. | Part No. |
|------|------|--|----------------|------|------|--|-----------------|
| 1 | 8 | Washer, split lock $\frac{5}{16}$ 30, 33, 34, 35, 36 | X-21-1 | 4 | 4 | Washer, plain $\frac{19}{32} \times \frac{19}{16}$ $\times \frac{1}{16}$ 30, 33, 34, 35, 36, 40 | X-25-37 |
| | 9 | Washer, split lock $\frac{5}{16}$ 40 | X-21-1 | 5 | 1 | Terminal, grounding 30 | X-377-11 |
| 2 | 6 | Washer, split lock $\frac{3}{8}$ 30, 33, 34, 35, 36 | X-22-1 | 1 | 1 | Terminal, grounding 33, 34, 35, 36, 40 | X-377-12 |
| | 15 | Washer, split lock $\frac{3}{8}$ 40 | X-22-1 | 6 | 1 | Screw, H.C. $\frac{1}{4}$ -20 $\times \frac{3}{8}$ 30, 33, 34, 35, 36, 40 | X-5-17 |
| 3 | 3 | Washer, lock internal/external tooth $\frac{5}{16}$ 30, 33, 34, 35, 36 | X-22-16 | 7 | 2 | Screw, H.C. $\frac{5}{16}$ -18 $\times \frac{3}{4}$ 30 | X-6-11 |
| | 2 | Washer, lock internal/external tooth $\frac{5}{16}$ 40 | X-22-16 | 8 | 7 | Screw, H.C. $\frac{5}{16}$ -18 $\times \frac{5}{8}$ 30, 33, 34, 35, 36 | X-6-12 |

Series 1402

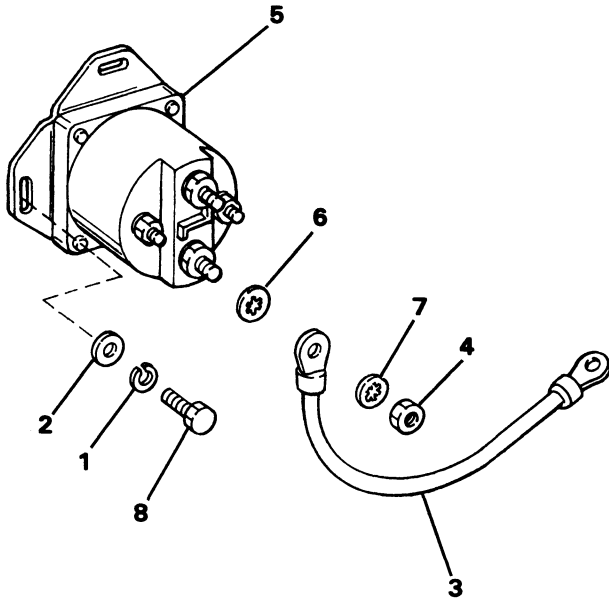
Group 109 Skid & Plant Mounting

| Item | Qty. | Description Variation No. | Part No. | Item | Qty. | Description Variation No. | Part No. |
|------|------|---|----------|--------------------------------------|------|--|----------|
| | 8 | Screw, H.C. $\frac{5}{16}$ -18 x $\frac{5}{8}$ 40 | X-6-12 | 15 | 1 | Bracket, mounting 30, 33, 34, 35, 36 | 278172 |
| 9 | 1 | Scarew, H.C. $\frac{5}{16}$ -18 x $\frac{7}{8}$ 30, 33, 34, 35, 36 | X-6-14 | 1 | 1 | Bracket, mounting 40 | 278388 |
| | 2 | Screw, H.C. $\frac{5}{16}$ -18 x $\frac{7}{8}$ 40 | X-6-14 | 16 | 1 | Bracket, mounting 30, 33, 34, 35, 36 | 278172 |
| 10 | 4 | Screw, H.C. $\frac{3}{8}$ -16 x 2 30, 33, 34, 35, 36, 40 | X-7-3 | 1 | 1 | Bracket, mounting 40 | 278368 |
| 11 | 2 | Screw, H.C. $\frac{3}{8}$ -16 x $\frac{3}{4}$ 30, 33, 34, 35, 36, 40 | X-7-8 | 17 | 4 | Mount, vibro 30, 33 | 278179 |
| 12 | 1 | Nut, hex $\frac{5}{16}$ -18 30, 33, 34, 35, 36 | X-82-2 | 2 | 2 | Mount, vibro 34, 35, 36 | 278273 |
| | 1 | Nut, hex $\frac{1}{4}$ -20 40 | X-81-1 | 2 | 2 | Mount, vibro 34, 35, 36, 40 | 278271 |
| 13 | 1 | Strap, ground 30, 33, 34, 35, 36, 40 | 245297 | 1 | 1 | Mount, vibro 40 | 278322 |
| 14 | 1 | Tray* 30, 33 | 278256 | 18 | 1 | Cover, cylinder head 30, 33, 34, 35, 36, 40 | 278195 |
| | 1 | Tray* 34 | 278264 | 19 | 1 | Support, tray 40 | 278376 |
| | 1 | Tray* 35 | 278273 | *For Oversize Tray — See Accessories | | | |
| | 1 | Tray* 36 | 278295 | | | | |
| | 1 | Tray* 40 | 278370 | | | | |



Series 1402

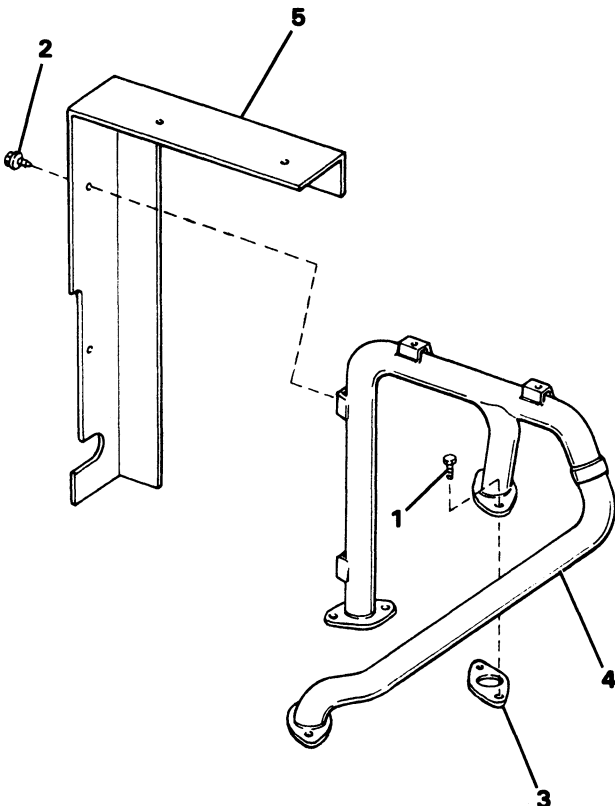
Group 112 Starter Relay



| Item | Qty. | Description Variation No. | Part No. |
|------|------|--|----------|
| 1 | 2 | Washer, split lock 1/4 1 | X-20-1 |
| 2 | 2 | Washer, plain 17/64 x 1/2 x 1/16 1 | X-25-63 |
| 3 | 1 | Cable, battery 1 | X-545-55 |
| 4 | 2 | Nut, hex 1/4-20 1 | X-81-1 |
| 5 | 1 | Switch, relay 1 | 248846 |
| 6 | 2 | Washer, lock internal tooth 5/16 1 | X-22-5 |
| 7 | 2 | Washer, lock internal tooth #10 1 | X-22-9 |
| 8 | 2 | Screw, H.C. 1/4-20 x 5/8 1 | X-5-1 |

NOTE: Starter components listed in Group 11, Electric Start

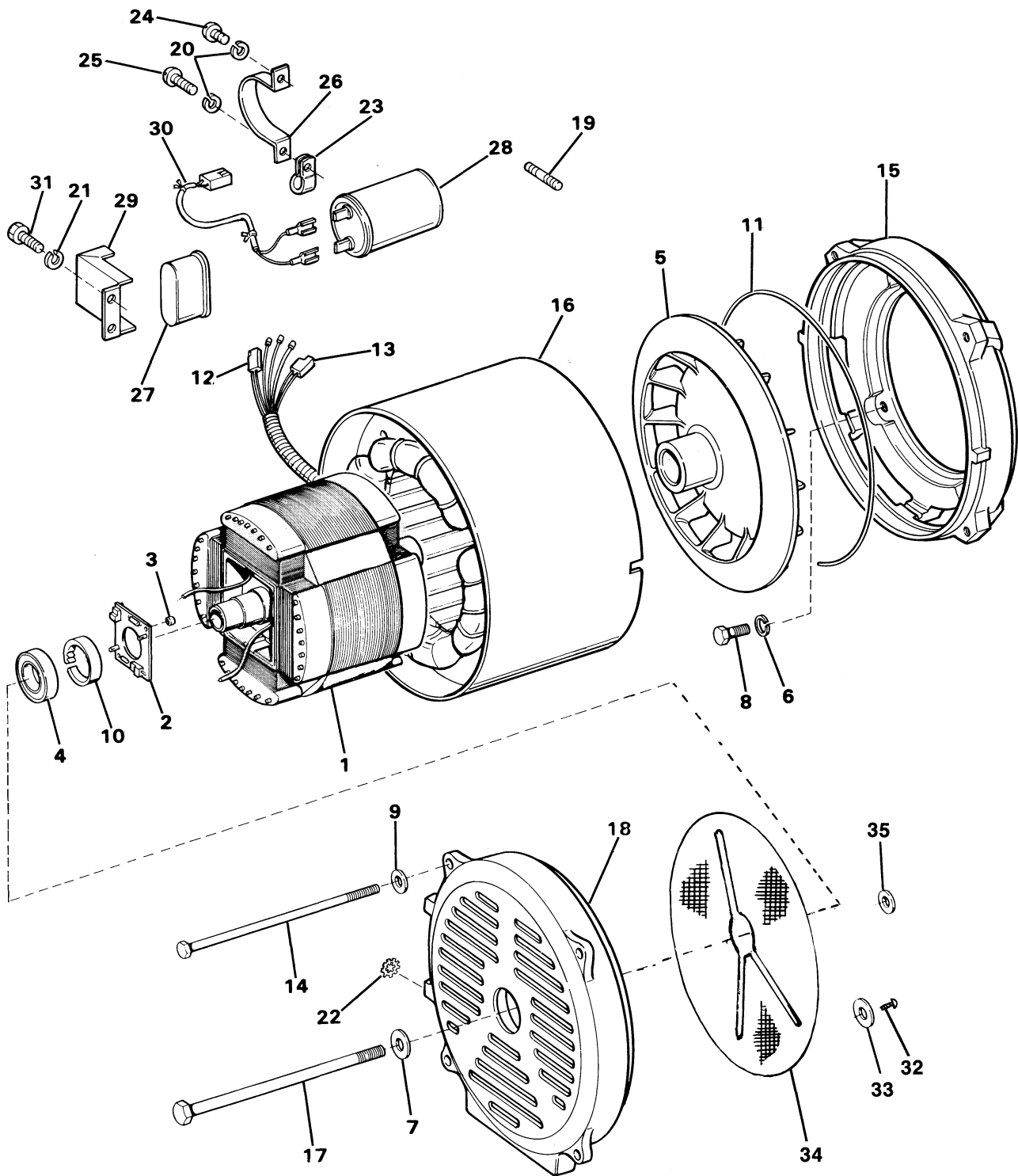
Group 116 Exhaust System



| Item | Qty. | Description Variation No. | Part No. |
|------|------|--|----------|
| 1 | 4 | Screw, hex socket head 5/16 x 3/4 12, 13 | X-55-6 |
| 2 | 4 | Screw, drill 12, 13 | X-794-2 |
| 3 | 2 | Gasket, manifold 12, 13 | 278200 |
| 4 | 1 | Manifold, exhaust 12, 13 | 278216 |
| 5 | 1 | Baffle, heat 12 | 278217 |
| | 1 | Baffle, heat 13 | 278279 |

Series 1402

Group 201 Generator & Mounting



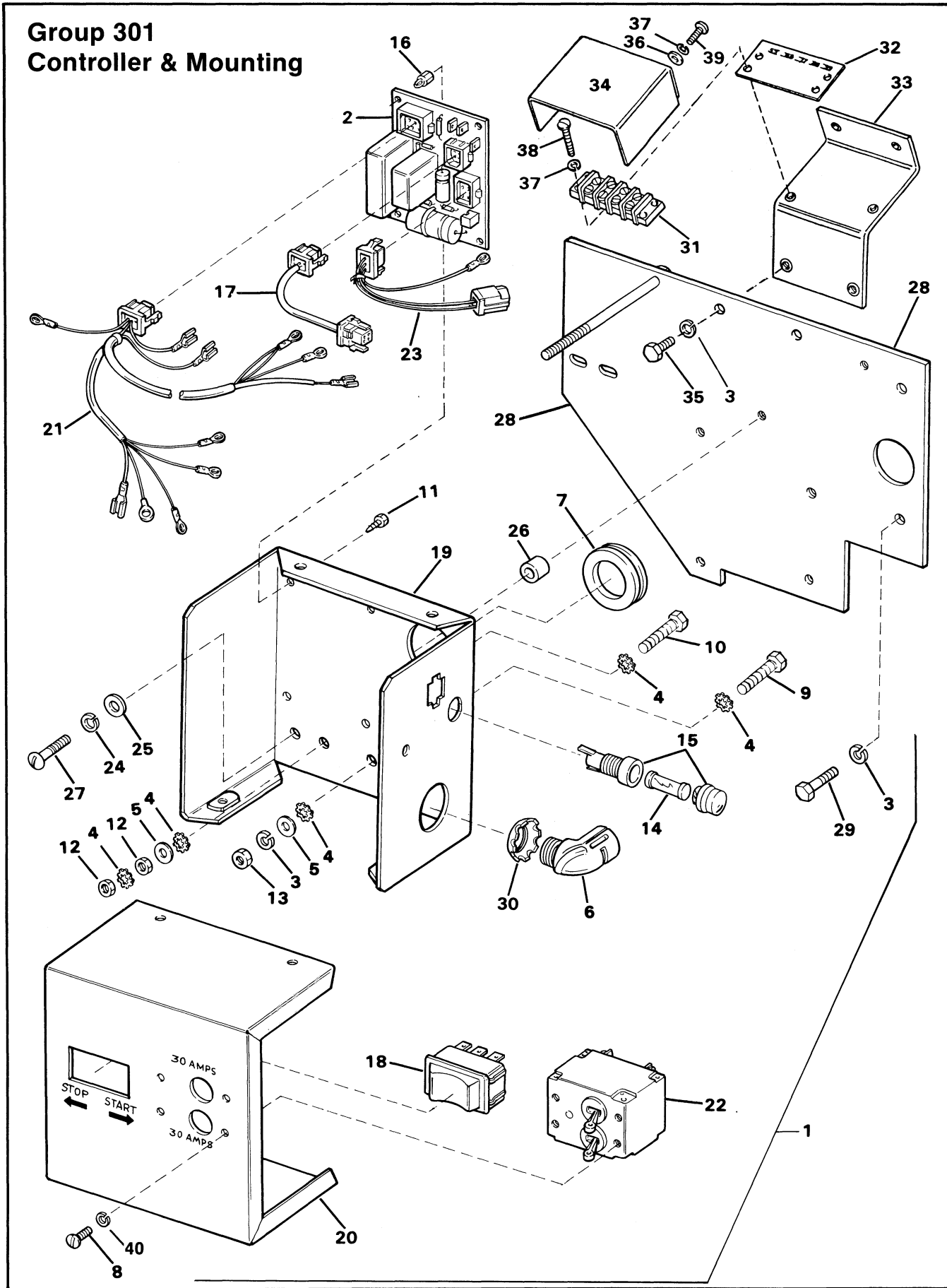
Group 201 Generator & Mounting

| Item | Qty. | Description Variation No. | Part No. | Item | Qty. | Description Variation No. | Part No. |
|------|------|---|------------------|------|------|---|-----------------|
| 1 | 1 | Rotor Assembly 80, 81 | A-278156 | 17 | 1 | Bolt, thru 80, 81 | 278158 |
| 2 | 1 | Circuit Board Assembly (included in item 1) 80, 81 | A-228215 | 18 | 1 | Bracket, end 80, 81 | 278248* |
| 3 | 2 | Spacer (included in item 1) 80, 81 | X-400-143 | 19 | 2 | Stud 80, 81 | 278186 |
| 4 | 1 | Bearing, ball (included in item 1) 80, 81 | X-758-1 | 20 | 2 | Washer, split lock #8 80, 81 | X-18-2 |
| 5 | 1 | Fan, generator (included in item 1) 80, 81 | 238204 | 21 | 2 | Washer, split lock 1/4 80, 81 | X-20-1 |
| 6 | 4 | Washer, split lock 7/16 80, 81 | X-23-1 | 22 | 2 | Washer, lock internal/external tooth 1/4 80, 81 | X-22-12 |
| 7 | 1 | Washer, plain 1/16 x 1 1/4 x 5/32 80, 81 | X-25-30 | 23 | 1 | Clip, wire 5/16 80, 81 | X-339-3 |
| 8 | 4 | Screw, H.C. 7/16-14 x 3 80, 81 | X-8-7 | 24 | 1 | Screw, R.H.M. 8-32 x 3/8 80, 81 | X-51-12 |
| 9 | 4 | Washer, hardened 5/32 x 5/8 x 1/16 80, 81 | X-801-2 | 25 | 1 | Screw, R.H.M. 8-32 x 5/8 80, 81 | X-51-9 |
| 10 | 1 | Ring, tolerance 80, 81 | 238211 | 26 | 1 | Clamp, capacitor 80, 81 | 250787 |
| 11 | 1 | Guard, generator fan 80, 81 | 238214 | 27 | 1 | Boot, protective 80, 81 | 250788 |
| 12 | 1 | Terminal 80, 81 | 269165 | 28 | 1 | Capacitor 80, 81 | 250789 |
| 13 | 1 | Terminal 80 | 269166 | 29 | 1 | Cover, capacitor 80, 81 | 278207 |
| 14 | 4 | Bolt, over 80, 81 | 238525 | 30 | 1 | Harness, wiring 80 | 278192 |
| 15 | 1 | Adapter, generator 80, 81 | 277937 | 31 | 2 | Screw, H.C. 1/4-20 x 5/8 80, 81 | X-5-1 |
| 16 | 1 | Stator Kit 80 | 278244 | 32 | 5 | Screw, self tapping 4-40 x 3/8 80, 81 | X-67-111 |
| | 1 | Stator Assembly 81 | 278237 | 33 | 2 | Washer, steel 5/32 x 3/8 x 3/63 80, 81 | X-25-9 |
| | | | | 34 | 2 | Screen, galvanized 80, 81 | 278246 |
| | | | | 35 | 3 | Washer, plain 13/64 x 3/4 x 1/16 80, 81 | X-25-45 |

*use with items 32 thru 35

Series 1402

Group 301
Controller & Mounting



Group 301 Controller & Mounting

| Item | Qty. | Description Variation No. | Part No. | Item | Qty. | Description Variation No. | Part No. |
|------|------|---|----------|------|------|---|----------|
| 1 | 1 | Controller Assembly 31, 32 | B-278180 | 1 | 1 | Cover, controller 33 | 278268 |
| | 1 | Controller Assembly 33 | A-278258 | 21 | 1 | Harness, wiring 31, 32, 33 | 278182 |
| 2 | 1 | Board Assembly 31, 32, 33 | E-239396 | 22 | 2 | Breaker, circuit 31, 32, 33 | 278190 |
| 3 | 7 | Washer, split lock 1/4 31, 32, 33 | X-20-1 | 23 | 1 | Harness, wiring 31, 32, 33 | 278191 |
| 4 | 5 | Washer, lock internal/external tooth 1/4 31, 32, 33 | X-22-12 | 24 | 2 | Washer, lock #10 31, 32, 33 | X-19-1 |
| 5 | 2 | Washer, plain 17/64 x 5/8 x 1/16 31, 32, 33 | X-25-53 | 25 | 2 | Washer, plain 1/2 x 7/32 x 18 ga. 31, 32, 33 | X-25-36 |
| 6 | 1 | Connector, conduit 3/4 31, 32, 33 | X-252-13 | 26 | 2 | Spacer 31, 32, 33 | X-400-28 |
| 7 | 2 | Grommet 31, 32, 33 | X-634-15 | 27 | 2 | Screw, R.H.M. #10-24 x 1 31, 32, 33 | X-50-7 |
| 8 | 4 | Screw, R.H.M. 6-32 x 1/4 31, 32, 33 | X-49-25 | 28 | 1 | Bracket, mounting 31, 32, 33 | 278164 |
| 9 | 1 | Screw, H.C. 1/4-20 x 5/8 31, 32, 33 | X-5-1 | 29 | 2 | Screw, H.C. 1/4-20 x 3/4 31, 32, 33 | X-5-8 |
| 10 | 1 | Screw, H.C. 1/4-20 x 1 31, 32, 33 | X-5-7 | 30 | 1 | Bushing, 3/4 31, 32, 33 | 278230 |
| 11 | 4 | Screw, thread forming 31, 32, 33 | X-67-102 | 31 | 1 | Strip, terminal 32, 33 | 244742 |
| 12 | 4 | Nut, hex 1/4-20 31, 32, 33 | X-81-1 | 32 | 1 | Strip, marker 32, 33 | 278238 |
| 13 | 1 | Nut, hex green 1/4-20 31, 32, 33 | X-81-8 | 33 | 1 | Bracket, terminal strip 32, 33 | 278239 |
| 14 | 1 | Fuse, 10 amp. 31, 32, 33 | 223316 | 34 | 1 | Cover, terminal strip 32, 33 | 278240 |
| 15 | 1 | Holder, fuse 31, 32, 33 | 238426 | 35 | 2 | Screw, H.C. 1/4-20 x 1/2 32, 33 | X-5-13 |
| 16 | 4 | Spacer 31, 32, 33 | 239405 | 36 | 2 | Washer, plain 3/16 x 7/16 x 1/16 32, 33 | X-25-48 |
| 17 | 1 | Harness, wiring 31, 32, 33 | 239410 | 37 | 4 | Washer, lock #8 32, 33 | X-18-2 |
| 18 | 1 | Switch, rocker 31, 32, 33 | 278309 | 38 | 2 | Screw, R.H.M. 8-32 x 3/4 32, 33 | X-51-11 |
| 19 | 1 | Box, controller 31, 32, 33 | 278163 | 39 | 2 | Screw, R.H.M. 8-32 x 1/2 32, 33 | X-51-15 |
| 20 | 1 | Cover, controller 31, 32 | 278177 | 40 | 4 | Washer, lock #6 31, 32, 33 | X-18-1 |

Accessories

| Description | Part Number | Description | Part Number |
|--|------------------|-------------------------------|-------------------|
| Muffler Kit—Below Floor (Street or Curb Side) | PA-278205 | Bracket, exhaust | 278204 |
| Tube, exhaust | 278203 | Tube, exhaust | 278202 |
| Gasket, manifold | 278200 | Gasket, manifold | 278200 |
| Muffler | 278189 | Strap, muffler mounting | 278252 |
| U-Clamp | X-722-8 | U-clamp | X-722-8 |
| Washer, split lock 5/16 | X | Washer, split lock 5/16 | X |
| Screw, H.C. 5/16-18 x 1/2 | X | Washer, split lock 3/8 | X |
| Screw, H.C. 5/16-18 x 5/8 | X | Screw, H.C. 5/16-18 x 5/8 | X |
| | | Screw, H.C. 5/16-18 x 1-1/2 | X |
| | | Screw, H.C. 3/8-16 x 1 | X |
| | | Nut, hex 5/16-18 | X |
| Muffler Kit—Above Floor (Street Side) | PA-278206 | Upsize Tray Kit | PA-278215 |
| Tube, exhaust | 278202 | Tray | 278208 |
| Muffler | 278223 | Nut, hex 5/16-18 | X |
| Gasket, manifold | 278200 | Screw, H.C. 5/16-18 x 3/4 | X |
| Strap, muffler mounting | 277725 | Washer, split lock 5/16 | X |
| U-Clamp | X-722-8 | | |
| Bracket, exhaust | 278204 | Remote Panel Kit | PAA-239419 |
| Washer, split lock 5/16 | X | Panel, remote | 269298 |
| Washer, split lock 3/8 | X | Switch, rocker | 239296 |
| Screw, H.C. 5/16-18 x 5/8 | X | Harness, wiring | 239418 |
| Screw, H.C. 5/16-18 x 1-1/2 | X | Meter, hour | 238736 |
| Screw, H.C. 3/8-16 x 1 | X | Screw, sheet metal | X-798-1 |
| Nut, hex 5/16-18 | X | | |
| Muffler Kit—Below Floor (Curb Side, Rear Exhaust) | PA-278219 | Wiring Harness—Remote | |
| Muffler | 278218 | Harness, wiring 1 ft. | PA-239430 |
| Tube, exhaust | 278203 | Harness, wiring 3 ft. | PA-239436 |
| Gasket, manifold | 278200 | Harness, wiring 3 ft. (Winn.) | PA-239433 |
| U-Clamp | X-722-8 | Harness, wiring 5 ft. | PA-239439 |
| Washer, split lock 5/16 | X | Harness, wiring 15 ft. | PA-239414 |
| Screw, H.C. 5/16-18 x 1/2 | X | Harness, wiring 30 ft. | PA-239412 |
| Screw, H.C. 5/16-18 x 5/8 | X | Harness, wiring 40 ft. | PA-239413 |
| | | Harness, wiring 1 ft. | 278371 |
| Muffler Kit—Above Floor (Curb Side) | PA-278221 | | |
| Muffler | 278224 | | |

Gasket Sets

| Description | Qty. | Part Number | Description | Qty. | Part Number |
|-----------------------------|------|-------------|----------------------------|------|-------------|
| Gasket Set (includes seals) | | 48 755 03 | Gasket Set (without seals) | | 48 004 01 |
| Gasket, valve cover | 2 | 270034 | Gasket, valve cover | 2 | 270034 |
| Gasket, carburetor | 1 | 271030 | Gasket, carburetor | 1 | 271030 |
| Gasket, oil pan | 1 | 277014 | Gasket, oil pan | 1 | 277014 |
| Gasket, gear cover | 1 | 277020 | Gasket, gear cover | 1 | 277020 |
| Gasket, gear cover | 1 | 277022 | Gasket, gear cover | 1 | 277022 |
| Seal, rear oil | 1 | 277065 | Gasket, air cleaner | 1 | 277069 |
| Gasket, air cleaner | 1 | 277069 | Gasket, breather | 1 | 277073 |
| Gasket, breather | 1 | 277073 | Gasket, governor housing | 1 | 277078 |
| Gasket, governor housing | 1 | 277078 | Gasket, closure plate | 1 | 277087 |
| Gasket, closure plate | 1 | 277087 | Gasket, governor cover | 1 | 277099 |
| Gasket, governor cover | 1 | 277099 | Gasket, rear closure | 3 | 277103 |
| Gasket, rear closure | 3 | 277103 | Gasket, rear closure | 3 | 277115 |
| Gasket, rear closure | 3 | 277115 | Gasket, oil filter | 2 | 48 041 03 |
| Gasket, oil filter | 2 | 48 041 03 | Gasket, cylinder head | 2 | 48 052 01 |
| Gasket, cylinder head | 2 | 48 052 01 | Gasket, manifold | 2 | 48 052 02 |
| Gasket, manifold | 2 | 48 052 02 | Gasket, point cover | 1 | 52 041 11 |
| Seal, oil | 1 | 52 032 08 | | | |
| Gasket, point cover | 1 | 52 041 11 | | | |

