

# Parts Manual

RV Generator Sets



**Model:**  
7CKM-RV

**KOHLER**<sup>®</sup>  
POWER SYSTEMS

SPECIFICATION SERIES 1402

TP-5349 3/92

## SERIES 1402

### SPECIFICATION NUMBER INDEX

GROUP TITLE	AIR INTAKE	BAFFLES AND SCHROUDS	VENT & VALVE COVERS	CAMSHAFT & VALVES	CARBURETOR	CRANKCASE	CRANKSHAFT	CYLINDER HEAD	DIPSTICK	STARTER	INTAKE & EXHAUST MANIFOLDS	FLYWHEEL	FUEL PUMP MOUNTING	GOVERNOR	IGNITION	OIL PAN	PISTON & ROD	OIL PUMP	GEAR COVER	OIL FILTER	OIL PRESSURE	SHORT BLOCK	
	GROUP #	1	2	3	4	5	7	8	9	10	11	12	13	14	17	18	21	22	25	26	29	32	42
PAGE #	1	1	2	2	3	5	6	6	7	7	8	8	8	9	11	11	12	13	13	14	14	14	14
SPEC. #	VARIATION NUMBER																						
140214	55	56	11	10	52	74	54	12	16	69	77	80	4	30	48	31	10	6	11	12	11	18	
140215	55	56	11	10	52	74	54	12	16	69	77	80	4	30	48	31	10	6	11	12	11	18	
140216	55	56	11	10	52	74	54	12	16	69	77	80	4	30	48	31	10	6	11	12	11	18	
140217	55	56	11	10	52	74	54	12	16	69	77	80	4	30	48	31	10	6	11	12	11	18	
140218	55	56	11	10	52	74	54	12	16	69	77	80	4	30	48	31	10	6	11	12	11	18	
140220	55	56	11	10	52	74	54	12	16	69	77	80	4	30	48	31	10	6	11	12	11	18	
140221	55	56	11	10	52	74	54	12	16	69	77	80	4	30	48	31	10	6	11	12	11	18	
140222	55	56	11	10	52	74	54	12	16	69	77	80	4	30	48	31	10	6	11	12	11	18	
140223	55	56	11	10	52	74	54	12	16	69	77	80	4	30	48	31	10	6	11	12	11	18	
140224	55	56	11	10	52	74	54	12	16	69	77	80	4	30	48	31	10	6	11	12	11	18	
140225	55	56	11	10	52	74	54	12	16	69	77	80	4	30	48	31	10	6	11	12	11	18	
140226	55	56	11	10	52	74	54	12	16	69	77	80	4	30	48	31	10	6	11	12	11	18	
140227	55	56	11	10	52	74	54	12	16	69	77	80	4	30	48	31	10	6	11	12	11	18	
140228	55	56	11	10	52	74	54	12	16	69	77	80	4	30	48	31	10	6	11	12	11	18	
140229	55	56	11	10	52	74	54	12	16	69	77	80	4	30	48	31	10	6	11	12	11	18	
140230	55	56	11	10	55	74	54	12	16	69	77	80	4	30	48	31	10	6	11	12	11	18	
140231	55	56	11	10	55	74	54	12	16	69	77	80	4	30	48	31	10	6	11	12	11	18	
140232	55	56	11	10	55	74	54	12	16	69	77	80	4	30	48	31	10	6	11	12	11	18	
140233	55	56	11	10	55	74	54	12	16	69	77	80	4	30	48	31	10	6	11	12	11	18	
140234	55	56	11	10	55	74	54	12	16	69	77	80	4	30	48	31	10	6	11	12	11	18	
140235	55	56	11	10	55	74	54	12	16	69	77	80	4	30	48	31	10	6	11	12	11	18	
140236	55	56	11	10	55	74	54	12	16	69	77	80	4	30	48	31	10	6	11	12	11	18	
140237	55	56	11	10	55	74	54	12	16	69	77	80	4	30	48	31	10	6	11	12	11	18	
140240	55	56	11	10	55	74	54	12	16	69	77	80	4	30	48	32	10	6	11	12	11	18	
140241	55	56	11	10	55	74	54	12	16	69	77	80	4	30	48	32	10	6	11	12	11	18	
140242	55	56	11	10	55	74	54	12	16	69	77	80	4	30	48	32	10	6	11	12	11	18	
140243	55	56	11	10	55	74	54	12	16	69	77	80	4	30	48	32	10	6	11	12	11	18	
140244	55	56	11	10	55	74	54	12	16	69	77	80	4	30	48	32	10	6	11	12	11	18	
140245	55	56	11	10	55	74	54	12	16	69	77	80	4	30	48	32	10	6	11	12	11	18	
140246	55	56	11	10	55	74	54	12	16	69	77	80	4	30	48	32	10	6	11	12	11	18	
140247	55	56	11	10	55	74	54	12	16	69	77	80	4	30	48	32	10	6	11	12	11	18	
140248	55	56	11	10	55	74	54	12	16	69	77	80	4	30	48	32	10	6	11	12	11	18	

GROUP TITLE	AIR INTAKE	FUEL SYSTEM	ENGINE	NAMEPLATE & DECALS	SKID & PLANT MTG.	STARTER	EXHAUST	GENERATOR & MTG.	CONTROLLER & MTG.	GASKET SETS	ACCESSORIES
<b>GROUP #</b>	101	103	105	107	109	112	116	201	301		
<b>PAGE #</b>	16	17	20	20	21	22	22	23	25	15	25
<b>SPEC. #</b>	<b>VARIATION NUMBER</b>										
140214	4	-	6	33	38	-	14	83	34		
140215	4	-	6	33	39	-	14	83	34		
140216	4	-	6	34	39	-	14	83	35		
140217	4	-	6	34	38	-	14	83	35		
140218	4	-	6	34	37	-	15	83	37		
140220	4	16	7	33	38	10	14	83	38		
140221	4	16	7	33	39	10	14	83	38		
140222	4	16	7	34	39	10	14	83	39		
140223	4	16	7	34	38	10	14	83	39		
140224	4	16	7	34	37	10	15	83	40		
140225	7	15	7	37	38	10	16	84	41		
140226	7	15	7	37	39	10	16	84	41		
140227	7	17	7	37	38	10	16	84	42		
140228	7	17	7	37	39	10	16	84	42		
140229	4	16	7	34	44	10	15	83	44		
140230	6	16	8	33	38	10	16	83	38		
140231	6	16	8	33	39	10	16	83	38		
140232	6	16	8	34	38	10	16	83	39		
140233	6	16	8	34	39	10	16	83	39		
140234	6	16	8	38	37	10	17	83	40		
140235	6	17	8	36	38	10	16	84	42		
140236	6	17	8	36	39	10	16	84	42		
140237	6	16	8	34	44	10	17	83	44		
140240	6	16	9	33	42	10	16	83	38		
140241	6	16	9	33	43	10	16	83	38		
140242	6	16	9	34	42	10	16	83	39		
140243	6	16	9	34	43	10	16	83	39		
140244	6	16	9	34	41	10	17	83	40		
140245	6	17	11	36	42	10	16	84	42		
140246	6	17	11	36	43	10	16	84	42		
140247	6	16	9	34	45	10	17	83	44		
140248	6	16	9	39	46	10	10	83	44		

# Introduction

This manual contains a complete listing of service replacement parts for Kohler 7CKM–RV Generator Sets with specification series code 1402. These generator sets use the Kohler K582 engine. The manual includes the following main sections:

- *Specification Number Index*: List of generator set specification numbers arranged in numerical sequence under gener-

ator model number. The index shows which variations form the groups of a specification.

- *Group Parts List*: Lists specific parts for the groups that comprise specifications. Illustrations are given for most parts.

## Number Significance

Various numbers are used to identify a part number. A description of these numbers follows:

- *Specification Number*: The generator specification number (spec. number) is found on the nameplate attached to the generator frame. The spec. number is, in effect, a coded number. The first three digits, designating generator size and engine model, remain constant in this series. The remaining digits are issued in sequence and identify a particular spec. in a series. The spec. number allows you to match *group*, *variation* and *part numbers*.

- *Group Number*: A group consists of related parts. For example, the 101 group is the Air Intake group.

- *Variation Number*: In a group there may be various combinations of parts which perform the same function. For example, a dry air cleaner and an oil bath air cleaner perform the same function, but they contain different parts. Each of these combinations requires its own variation number.

- *Part Number*: The part number identifies an individual assembly, sub-assembly, component (including hardware), or accessory kit.

## How to Find Part Numbers

**FOLLOW THESE STEPS** to identify a part for ordering:

**STEP 1:** Record the generator set spec. number from the nameplate on the generator frame. For example, use spec. number 140214.

**STEP 2:** Go to the Specification Number Index, beginning on page i. Find spec. 140214 in the left-hand column. Reading across the page, you see a row of variation numbers. Columns intersect this row. Each column is headed by a group. See group 101, Air Intake. The box formed by the intersection of

this column with the row for spec. 140214 contains variation number 4. Variation 4 forms the Air Intake group (101 group) for spec. 140214.

**STEP 3:** Now turn to the Group 101 parts list in the Group Parts List section. There you will find a list of items (assemblies, sub-assemblies and components) matched with a drawing by item numbers. Under the description of each item are the variation numbers which use that item. In the example, every item that has variation 4 under its description belongs in that variation.

## Exploded View Drawings and Text Blocks

● *Exploded view drawings:* Each Group Parts List in this catalog is accompanied by one or more drawings which best represent a range of variations. The drawings are a guide to part identification—they are not intended for assembly, disassembly, or maintenance. **Generator Service and other manuals are the proper guides for assembly and maintenance.**

Some parts are drawn out of proportion to distinguish them. Some common parts are not drawn in detail. For example, the image of a hex cap screw is used to represent a range of screws. Use the text description and part number to completely identify a part.

● *Text blocks:* Text is item-numbered in one-up fashion in the Group Parts List sections. Horizontal lines divide the text into blocks. The blocks of text associate primary or distinct parts with secondary or common parts. For example, items 11–17 of 105 group text might form a block of text which consists of a ground strap and its mounting hardware. This text block association groups parts functionally and positionally, and helps to identify parts of variations not specifically drawn.

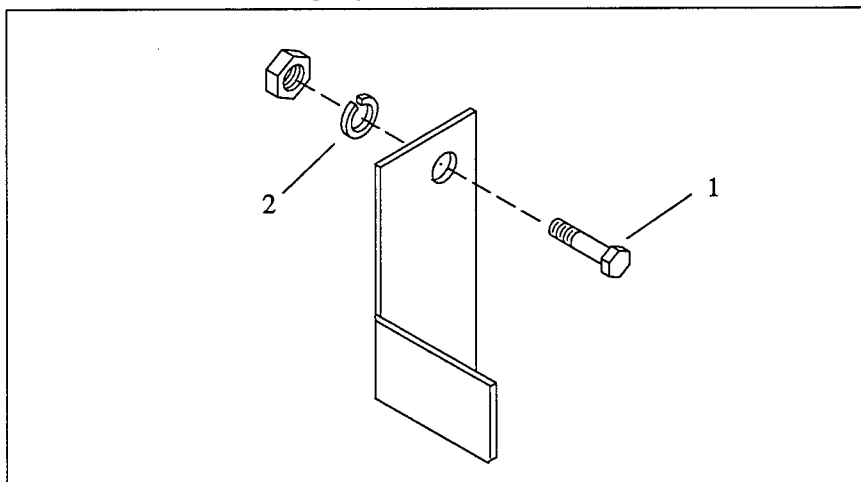
## Hardware References

As of late 1991, many common hardware items will appear in parts catalogs as **hardware references** or **common hardware entries**. A hardware reference has the abbreviation “ref.” in the part’s description. Hardware references specify common hardware items that would otherwise be indicated in a common hardware entry. They are specified when size or other information is critical in that application. For example, item 1, below, might appear in the text as “Screw, 3/8–16 x 1, ref. X-6021-1.”

A common hardware entry simply tells the size of common hardware to be applied in accordance with Kohler specifica-

tion G-585, found on pages v through vii. Item 2, below, would appear as “3/8–16 hardware” in the text. It indicates that the washer and nut are 3/8–16 size. See “Common Hardware Application Guidelines, Specification G-585” on the following pages.

Note: Common hardware is generally not illustrated. All hex. head screws/bolts are hardness grade (gr.) 5, except where noted. Socket head screws are similar to grade 8. All other hardware is grade 2, except where noted. **Do not substitute with inferior grade hardware.**



# Common Hardware Application Guidelines

## Specification G-585

Starting late 1991 common hardware will not be specified on Engineering assembly drawings. As a result, many Parts Catalogs and Service Manuals will contain common hardware entries and hardware references. Refer to "Hardware References," page iv.

Kohler Specification G-585 gives common hardware application guidelines. Use the information below and on the following pages to identify proper fastening techniques when no specific reference for reassembly is made.

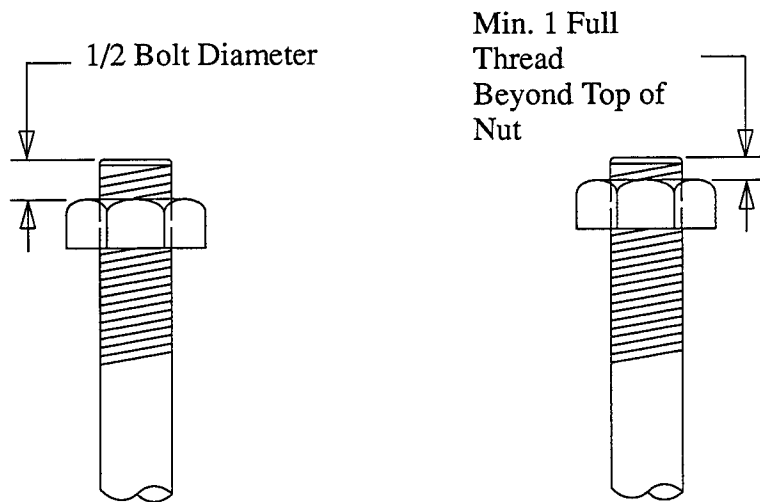
- *Bolt/Screw Length:* When bolt/screw length is not given, use Example A, on the following page, for recommendations. As a general rule, a minimum length of one thread beyond the nut and a maximum length of 1/2 the bolt/screw diameter beyond the nut is the preferred method.

- *Split Lock Washers:* Split lock washers will no longer be used as a locking device. For hardware up to 1/2" in diameter a whiz nut (serrated flange) will be used. The locking method used for hardware above 1/2" in diameter will be SAE flat washers with preloading (torque) of the bolt/screw. See "General Torque Specifications" and other torque specifications in the service literature.

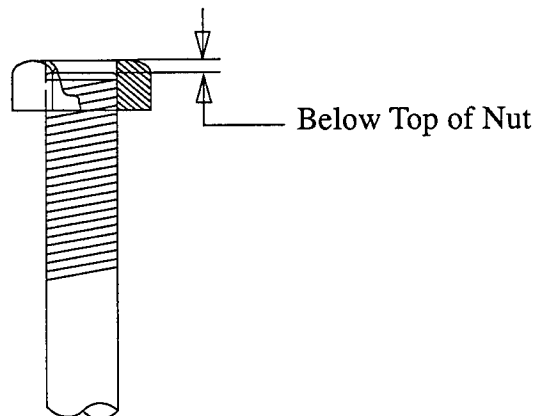
*Common Hardware Entries:* When hardware size (diameter and threads per inch) is given but no indication of type of additional hardware is shown, use the illustration in Example B, page viii.

# Common Hardware Application (G-585)

## Preferred Nut/Bolt Clearance



## Unacceptable Nut/Bolt Clearance

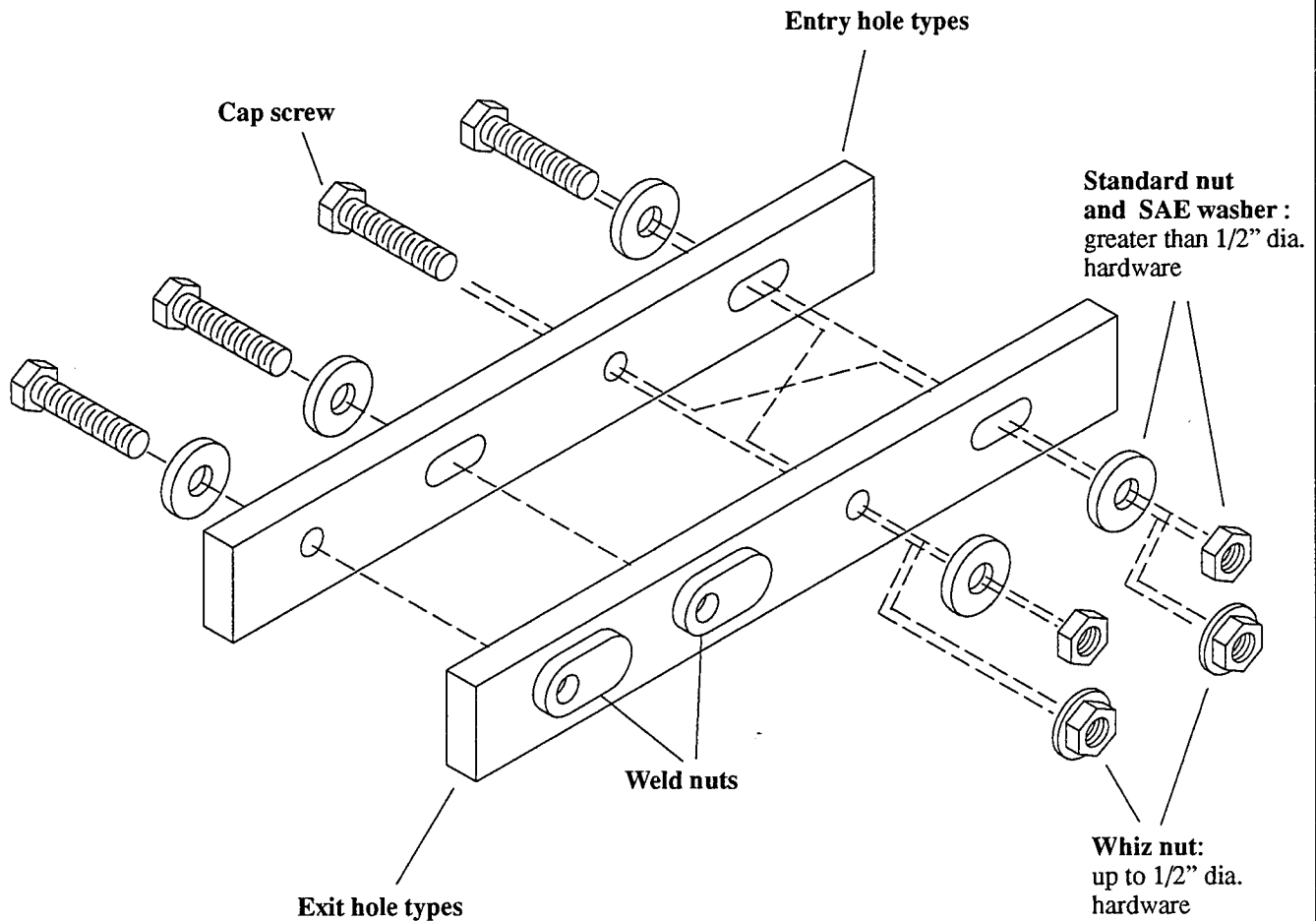


Example A. Acceptable Bolt Lengths

# Common Hardware Application (G-585)

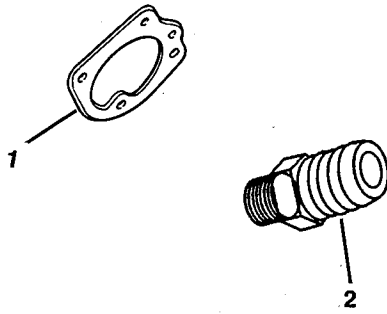
## Steps for common hardware application:

1. Determine entry hole type: round, or slotted.
2. Determine exit hole type: fixed female thread (weld nut), round, or slotted.
  - a. For non-weld nut exit holes (round and slotted), determine if hardware is greater than 1/2 inch in diameter, or 1/2 inch in diameter or less. Hardware that is *greater than 1/2 inch* in diameter takes a standard nut and SAE washer. Hardware *1/2 inch or less* in diameter can take a properly torqued whiz nut. See diagram below.
3. Follow these SAE washer rules:
  - a. Always use a washer between hardware and a slot.
  - b. Always use a washer under a nut.
  - c. Use a washer under a bolt when the female thread is fixed (weld nut).
4. Refer to the diagram below, which depicts the preceding hardware configuration possibilities.

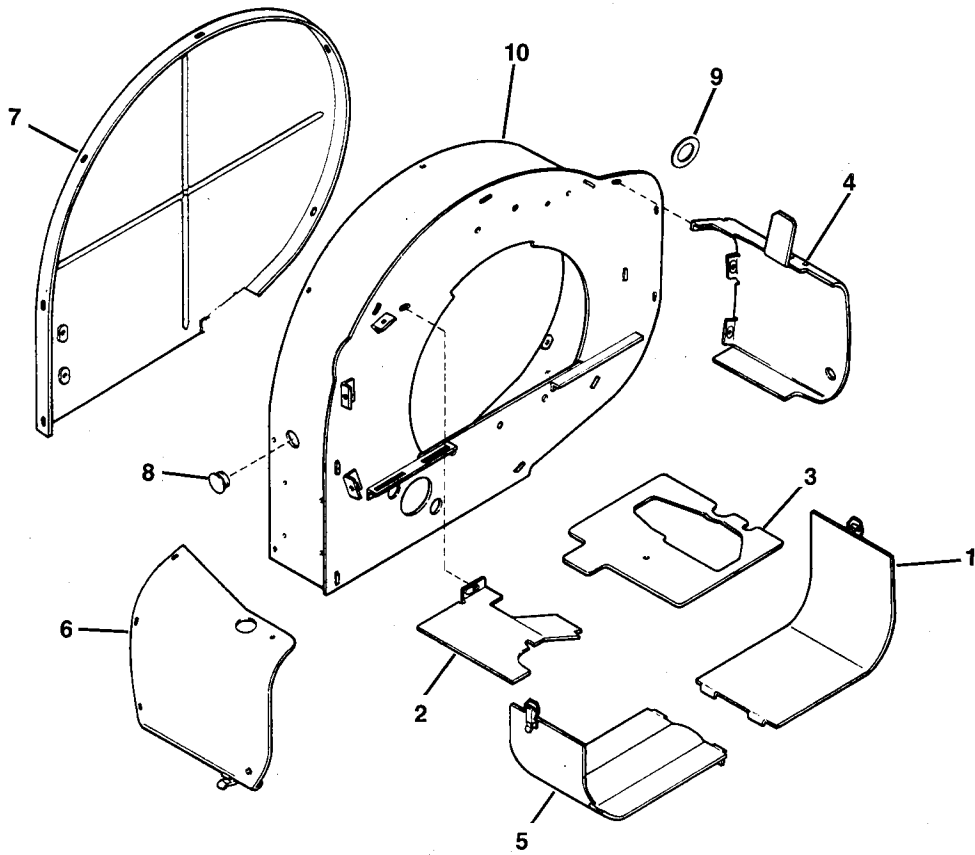


Example B. Acceptable Hardware Combinations

## Group 1: Air Intake



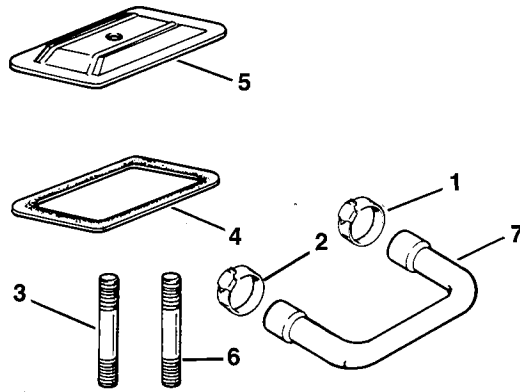
Item	Qty.	Description Variation(s)	Part No.
1	1	Gasket, air cleaner 55	25 041 06
2	1	Connector, hose 55	48 155 04
3	1	Kit, elbow (includes items 1 and 2) 55	48 754 08



## Group 2: Baffles & Shrouds

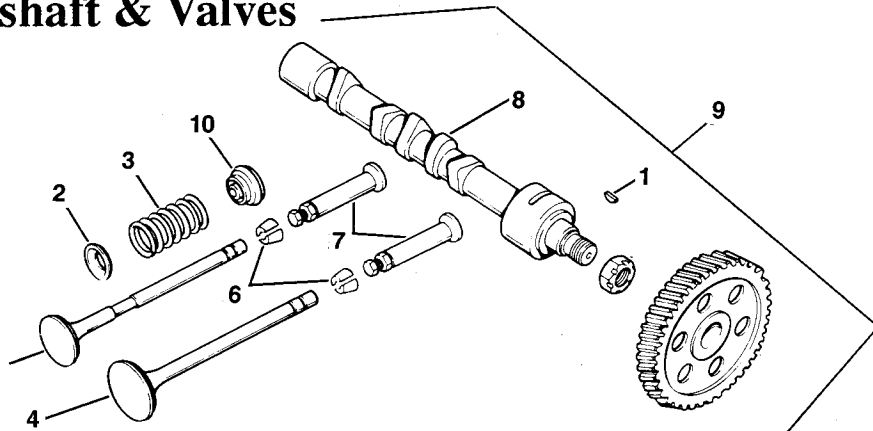
Item	Qty.	Description Variation(s)	Part No.	Item	Qty.	Description Variation(s)	Part No.
1	1	Baffle, cylinder barrel 56	227048	6	1	Head Baffle Assembly 56	48 063 25
2	1	Baffle, barrel top 56	48 063 20	7	1	Cover, scroll 56	48 096 12
3	1	Baffle, top cylinder barrel 56	48 063 21	8	1	Plug, grommet 56	48 139 02
4	1	Baffle, cylinder barrel 56	48 063 22	9	1	Washer, plain 56	48 468 03
5	1	Baffle, cylinder barrel 56	48 063 24	10	1	Scroll Assembly 56	48 539 03

## Group 3: Vent & Valve Covers



Item	Qty.	Description Variation(s)	Part No.	Item	Qty.	Description Variation(s)	Part No.
1	2	Clamp, hose 3/4 11	X-309-11	5	2	Cover, vlave 11	270036
2	1	Clamp, hose 1/2 11	X-426-3	6	1	Stud 11	277313
3	1	Stud, valve cover 11	220368	7	1	Hose, breather 11	277392
4	2	Gasket, valve cover 11	270034				

## Group 4: Camshaft & Valves



Item	Qty.	Description Variation(s)	Part No.	Item	Qty.	Description Variation(s)	Part No.
1	1	Key, woodruff 1/8 x 1/2 10	X-43-1	7	4	Tappet 10	D-277031
2	4	Retainer, spring 10	235011	8	1	Camshaft 10	48 012 01
3	4	Spring, valve exhaust 10	235168	9	1	Camshaft Gear Kit (includes camshaft drive gear, drive nut, and spring washer) 10	48 755 34
4	2	Valve, intake 10	235582				
5	2	Valve, exhaust 10	237672				
6	8	Key, valve spring 10	240013	10	1	Valve, rotator 10	52 413 01

## Group 5: Carburetor

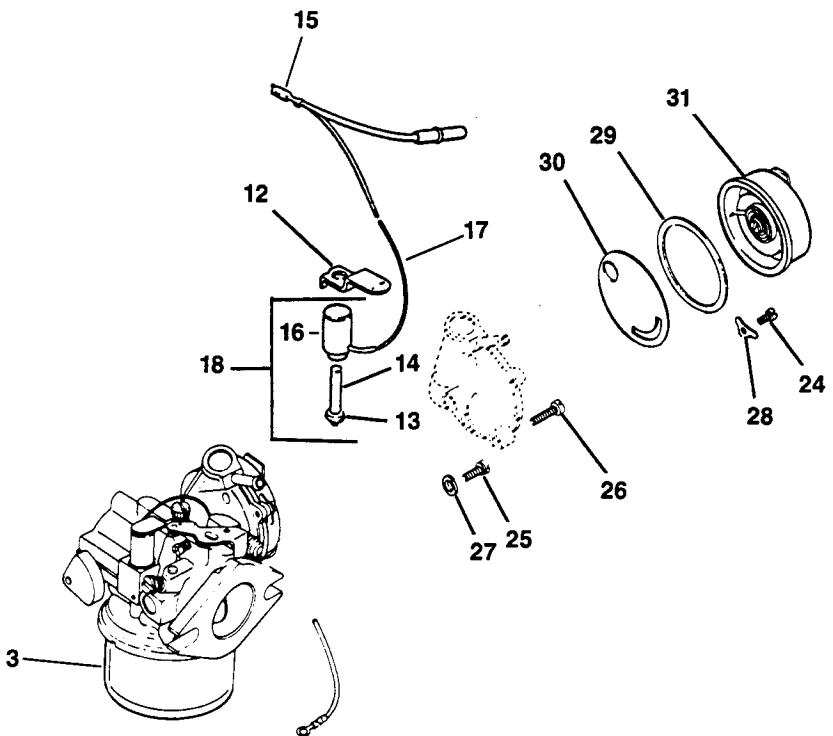
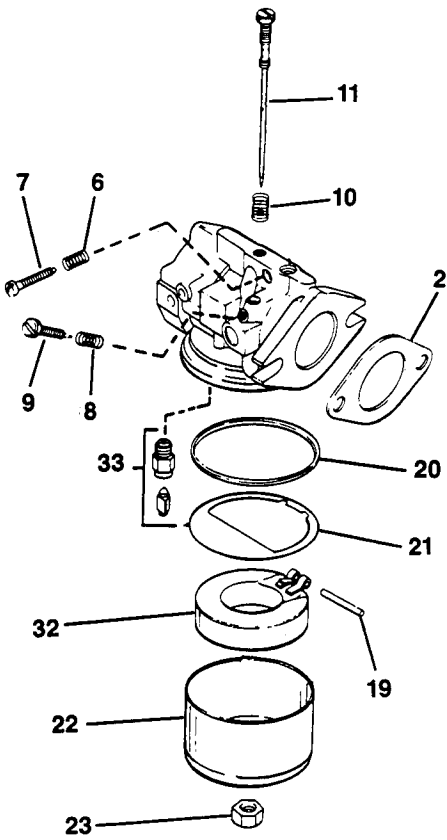
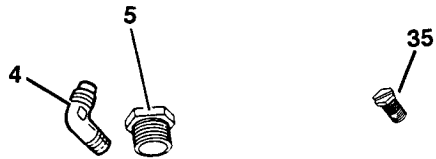
Item Qty.	Description Variation(s)	Part No.	Item Qty.	Description Variation(s)	Part No.
1	2 Stud, 5/16-24 x 1 52	X-352-10		52,55	
	2 Stud 55	25 072 01	22	1 Bowl, fuel 52,55	235448
2	1 Gasket, carburetor 52	271030	23	1 Screw, bowl retainer 52,55	47 100 06
	1 Gasket, carburetor 55	25 041 08	24	2 Screw, FHM 8-32 x 1/4 52,55	X-14-6
3	1 Caarburetor Assembly 52,55	48 053 34	25	2 Screw, FHM 10-32 x 5/8 52,55	X-15-1
4	1 Elbow 52,55	X-447-10	26	2 Screw, FHM 10-32 x 7/16 52,55	X-15-14
5	1 Connector, 52,55	25 029 02	27	2 Washer, lock #10 52,55	X-19-1
6	1 Spring, idle screw 52,55	232555	28	2 Retainer, choke heater 52,55	277275
7	1 Screw, idle adjust 52,55	232556	29	1 Gasket 52,55	277281
8	1 Spring, idle needle 52,55	200380	30	1 Plate, baffle 52,55	277297
9	1 Needle, idle adjust 52,55	235006	31	1 Choke Heater Assembly 52,55	277291
10	1 Spring, high sp. adj. needle 52,55	200383	1	1 Heater, Carburetor (not shown) 55	25 319 01
11	1 Needle, High speed adj. 52,55	52 103 02	32	1 Float Kit (Includes bowl gasket and Float Assembly) 52,55	25 757 03
12	1 Bracket, solenoid 52,55	45 126 12	33	Carburetor Kit (Includes needle valve and seat, bowl and items 19-21) 52,55	25 757 02
13	1 Ring, O 52,55	41 153 02*	34	2 Nut, hex 5/16-24 (not shown) 52,55	X-82-5
14	1 Plunger 52,55	41 385 01*	35	1 Screw, 1/4-20 x 1/2 52,55	X-133-2
15	1 Terminal 52,55	25 452 03*	36	2 Lead, ground (Includes tab and eyelet terminals) (not shown) 52,55	25 518 12
16	1 Solenoid 52,55	41 435 09*	1	1 Lead 55	25 518 22
17	1 Lead 52,55	41 518 18*			
18	1 Solenoid Kit (includes items 13 -15) 52,55	25 755 05			
19	1 Pin, float 52,55	220376**			
20	1 Gasket, bowl 52,55	220375			
21	1 Gasket, bowl baffle	25 041 02**			

Note: This carburetor is used on gasoline-fueled generators only. Refer to Fuel System Group 103 for components of the LP fuel system.

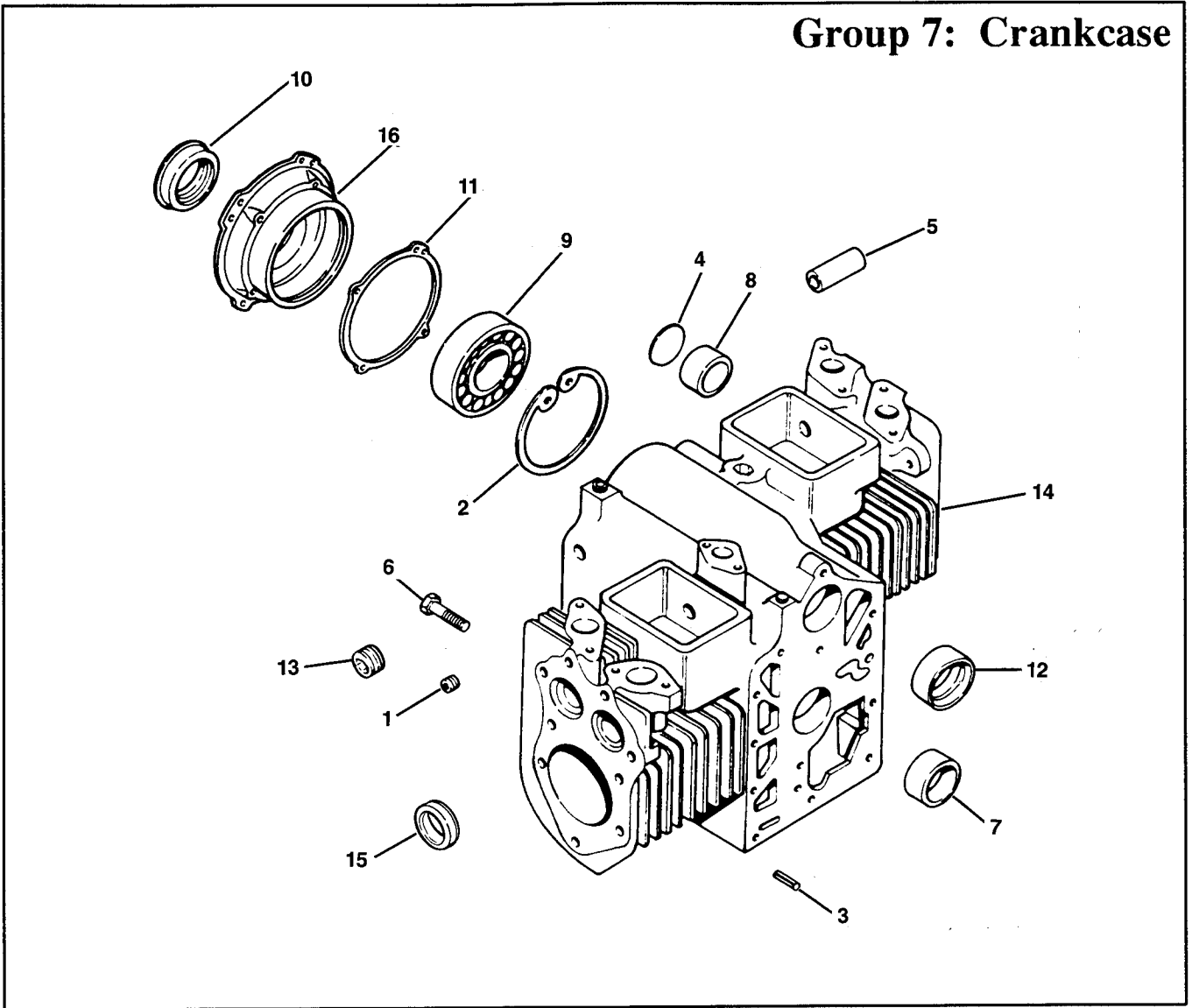
\* Included in item 18, solenoid Kit

\*\* Included in item 33, Carburetor Kit

# Group 5: Carburetor



## Group 7: Crankcase

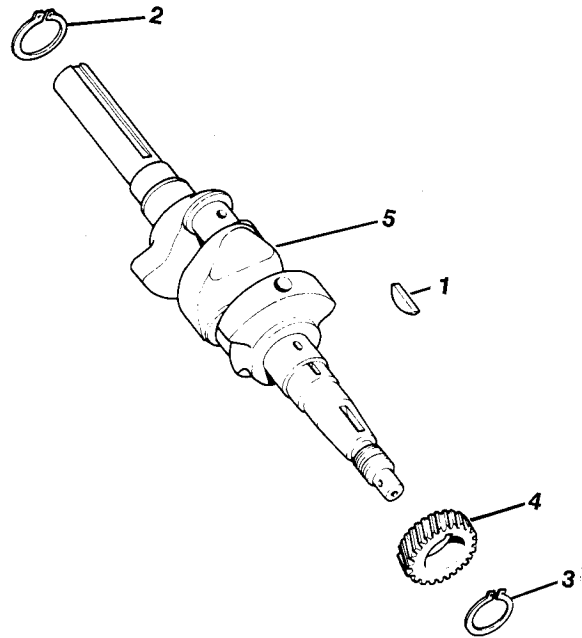


Item	Qty.	Description Variation(s)	Part No.	Item	Qty.	Description Variation(s)	Part No.
1	3	Plug, allen pipe NPTF 1/8 74	X-75-23	1	1	Gasket, rear closure .005 74	277103
2	1	Ring, retaining 74	X-269-31	1	1	Gasket, rear closure .010 74	277115
3	2	Pin, 3/16 x 5/8 74	X-599-2	12	1	Bearing 74	48 030 03
4	1	Plug, welch 74	160037	1	1	Bearing, main .010 74	48 030 04
5	4	Guide, valve 74	235007-S*		1	Bearing, main .020 74	48 030 05
6	4	Screw, cylinder head 74	270956	13	2	Plug, pipe 74	47 139 01
7	1	Bushing, camshaft front 74	48 158 02	14	1	Cylinder Block Assembly 74	48 007 08
8	1	Bushing, camshaft rear 74	277039	15	2	Insert, intake valve 74	230265*
9	1	Bearing, ball 74	277062	16	1	Plate, closure 74	48 009 01
10	1	Seal, rear oil 74	277065				
11	1	Gasket, closure plate 74	277087				

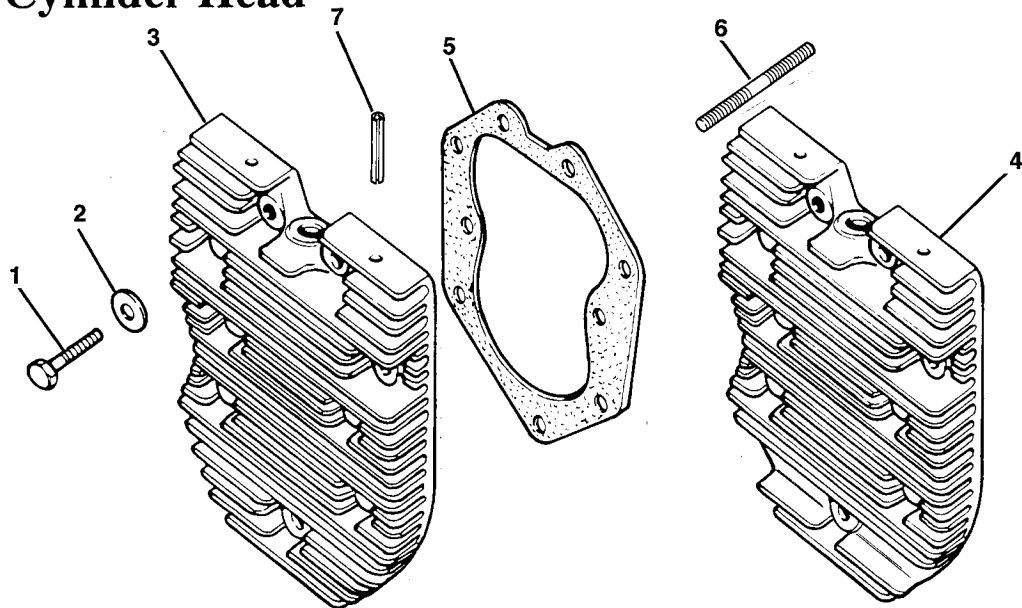
\* Included in Item 14 — Cylinder Block Assembly

## Group 8: Crakshaft

Item Qty.	Description Variation(s)	Part No.
1	1 Key, Woodruff 3/16 x 5/8 54	X-42-15
2	1 Ring, retaining 54	X-269-30
3	1 Ring, retaining 54	X-269-32
4	1 Gear, crankshaft 54	277009
5	1 Crankshaft 54	48 014 14

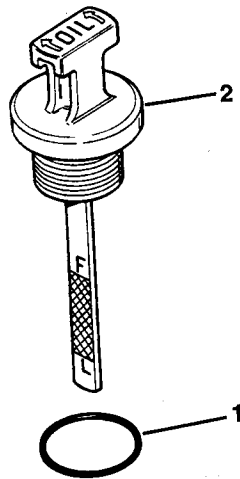


## Group 9: Cylinder Head

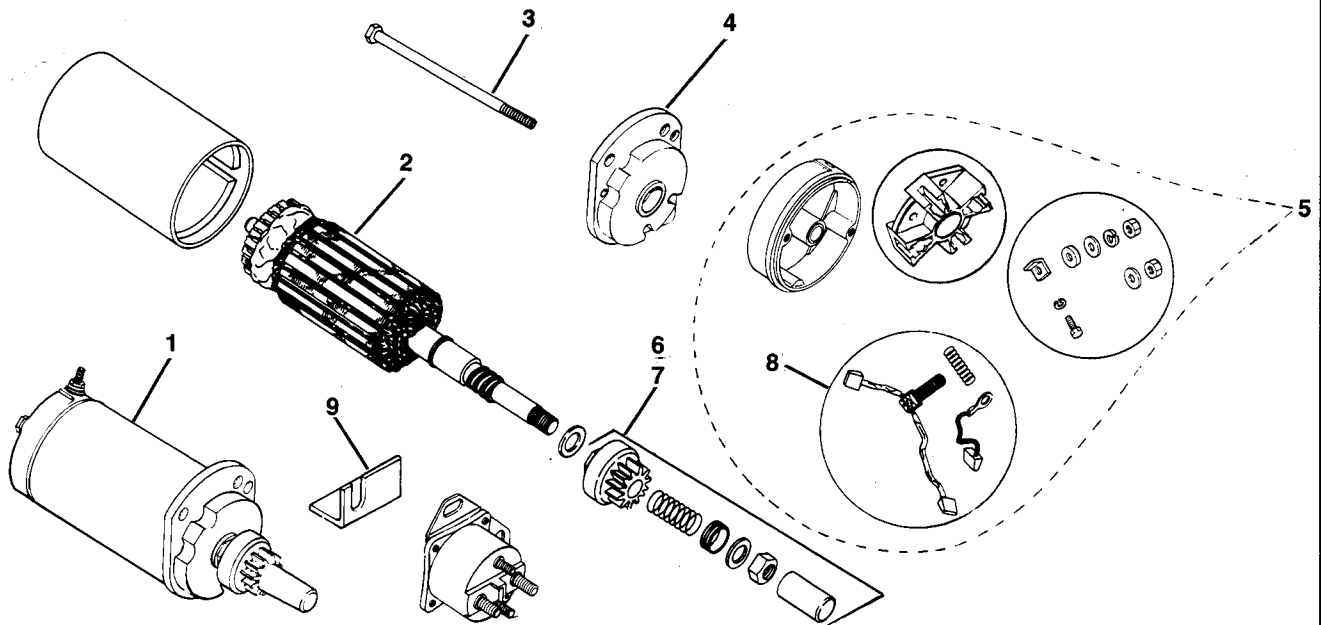


Item Qty.	Description Variation(s)	Part No.	Item Qty.	Description Variation(s)	Part No.
1	17 Screw, hex head 3/8-16 x 1-1/2 12	270158	5	1 Gasket, cylinder head 12	48 052 01
2	18 Washer, 3/8 12	270889	6	1 Stud 12	48 072 05
3	1 Head cylinder 12	48 015 03	7	1 Pin, roll 12	48 133 03
4	1 Head, cylinder (service side) 12	48 015 04			

## Group 10: Dipstick



Item	Qty.	Description Variation(s)	Part No.
1	1	O-Ring 16	48 153 03
2	1	Dipstick, oil fill 16	48 038 02



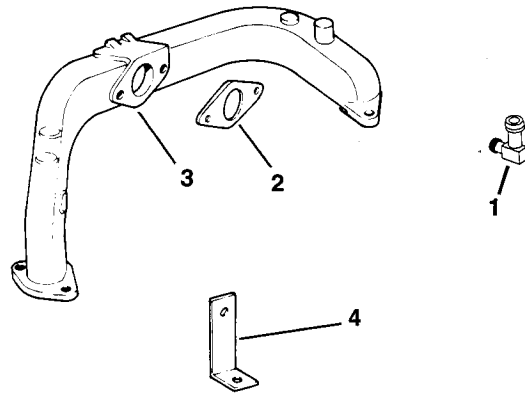
## Group 11: Electric Start

Item	Qty.	Description Variation(s)	Part No.	Item	Qty.	Description Variation(s)	Part No.
1	1	Starter Assembly 69	48 098 01	6	1	Kit, starter drive 69	48 755 02
2	1	Armature Assembly 69	277605	7	1	Kit, drive parts (does not include drive) 69	48 755 13
3	1	Bolt, thru 69	48 211 01	8	1	Kit, brush and spring 69	48 755 15
4	1	Cap, drive end 69	48 227 02	9	1	Bracket, starter support	48 161 04
5	1	Cap, commutator end 69	48 227 04				

Note: Starter relay and related hardware for early models is listed in Group 112- Starter

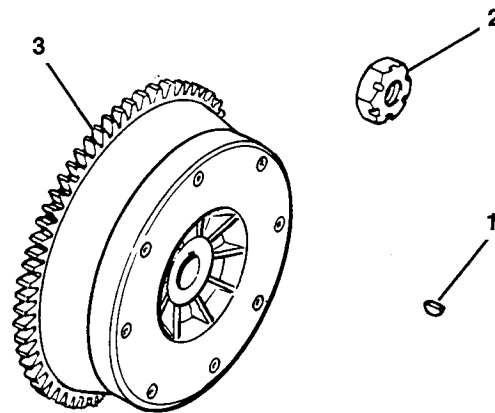
## Group 12: Intake and Exhaust Manifolds

Item	Qty.	Description Variation(s)	Part No.
1	1	Connector 77	25 155 02
2	2	Gasket, manifold 77	48 052 02
3	1	Manifold, intake 77	48 164 12
	1	Plug, pipe 1/8 NPT (not shown) 77	X-75-23
4	2	Strap, lifting 77	52 445 02



## Group 13: Flywheel

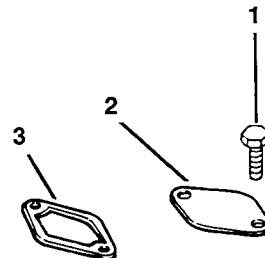
Item	Qty.	Description Variation(s)	Part No.
1	1	Key, woodruff 1/4 x 1 80	X-45-3
2	1	Nut, lock 80	277595
3	1	Flywheel Assembly (includes ring gear) 80	48 025 28



## Group 14: Fuel Pump Mounting

Item	Qty.	Description Variation(s)	Part No.
1	2	Screw, hex head 1/4-20 x 5/8 4	X-132-5
2	1	Plate, pump pad 4	240282
3	1	Gasket, fuel pump 4	47 041 04

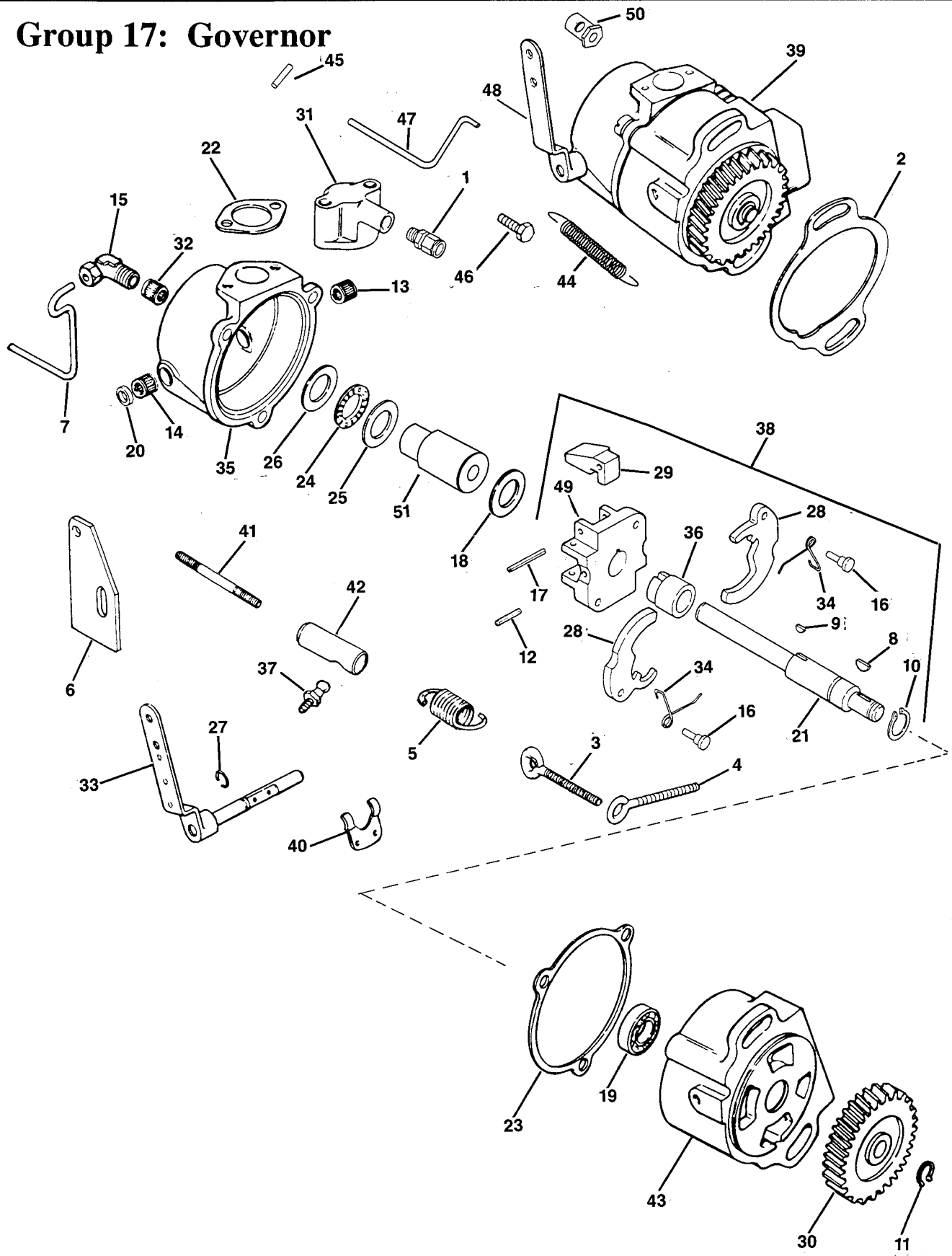
Note: Fuel pump and related hardware in Group 103-  
Fuel System, or Group 301-Controller & Mounting



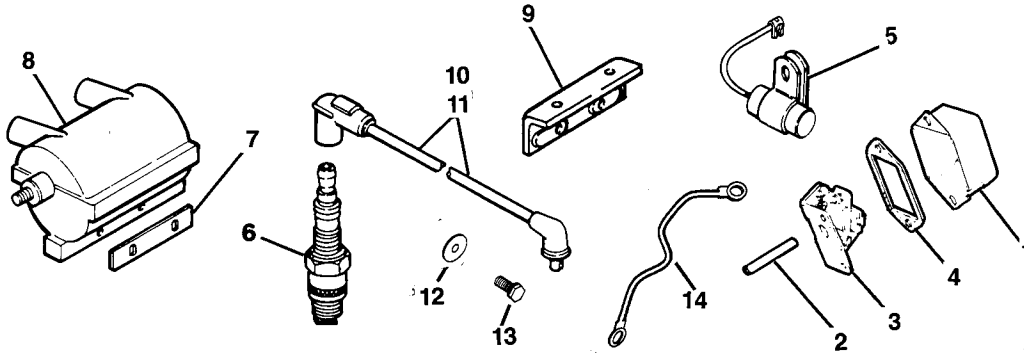
## Group 17: Governor

Item Qty.	Description Variation(s)	Part No.	Item Qty.	Description Variation(s)	Part No.
1	1 Union, 1/8 x 1/8 30	X-343	28	2 Flyweight, spark advance 30	277114*
2	1 Gasket, governor housing 30	277078	29	4 Weight, governor 30	277117*
3	1 Screw, adjusting 1/4-20 30	277333	30	1 Gear, governor 30	277561
4	1 Screw, eye 30	48 086 13	31	1 Breather (includes valve and housing) 30	A-277905
5	1 Spring, governor 30	48 091 01	32	1 Bearing, needle 30	48 030 02
6	1 Bracket, control 30	48 126 18	33	1 Governor Lever Assembly 30	48 087 03
7	1 Line, oil 30	48 353 05	34	2 Spring, spark 30	48 089 01*
8	1 Key, woodruff 3/32 x 3/8 30	x-42-2	35	1 Cover, governor 30	48 096 05
9	1 Key, woodruff 1/16 x 1/4 30	X-42-8*	36	1 Cam breaker 30	48 149 04*
10	1 Ring, retaining 30	X-269-4*	37	1 Screw, ball 30	48 194 01
11	1 Ring, retaining 30	X-269-15*	38	1 Governor Shaft Assembly 30	48 420 08
12	2 Pin, roll 3/32 x 3/4 30	X-280-8*	39	1 Governor Kit 30	48 310 28
13	1 Bearing, needle 30	X-293-2	40	1 Yoke, governor 30	48 471 02
14	1 Bearing, needle 30	X-292-3	41	1 Rod, throttle 30	271151
15	1 Elbow, tube 1/8 x 1/8 30	X-324-7	42	1 Body, ball joint 30	48 208 40
16	2 Pin, flyweight pivot 30	230080*	43	1 Housing, governor 30	48 081 02
17	4 Pin, roll 30	230134*	44	1 Spring, linkage 30	230117
18	1 Shim 30	237022	45	4 Pin, roll 30	25 380 02
19	1 Bearing, ball 30	270202	46	1 Screw, hex head #8 30	41 086 20
20	1 Seal, oil 30	275055	47	1 Linkage, governor 30	48 079 01
21	1 Shaft, governor 30	277007*	48	1 Governor Lever Assembly (includes lever and crossshaft) 30	48 090 09
22	1 Gasket, breather 30	277073	49	1 Carrier 30	48 230 02
23	1 Gasket, governor cover 30	277099	50	1 Swivel, clamp 30	48 237 03
24	1 Bearing, roller thrust 30	277100	51	1 Sleeve, governor 30	48 431 04
25	1 Race, thrust bearing 30	277101			
26	1 Race, thrust bearing 30	277102			
27	1 Ring, retaining 30	277104	*	Included in Item 38, Governor Shaft Assembly	

# Group 17: Governor

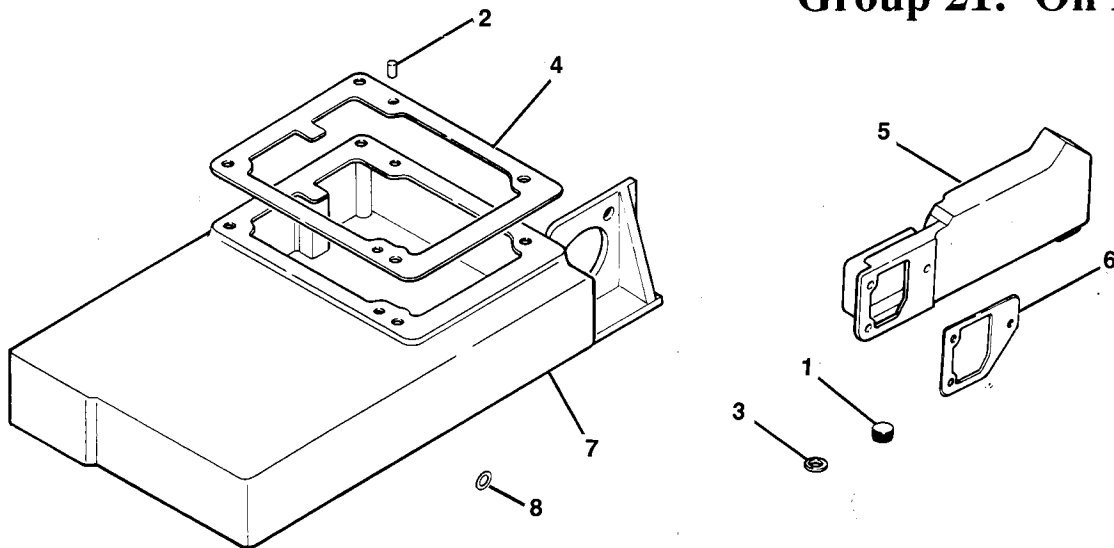


## Group 18: Ignition



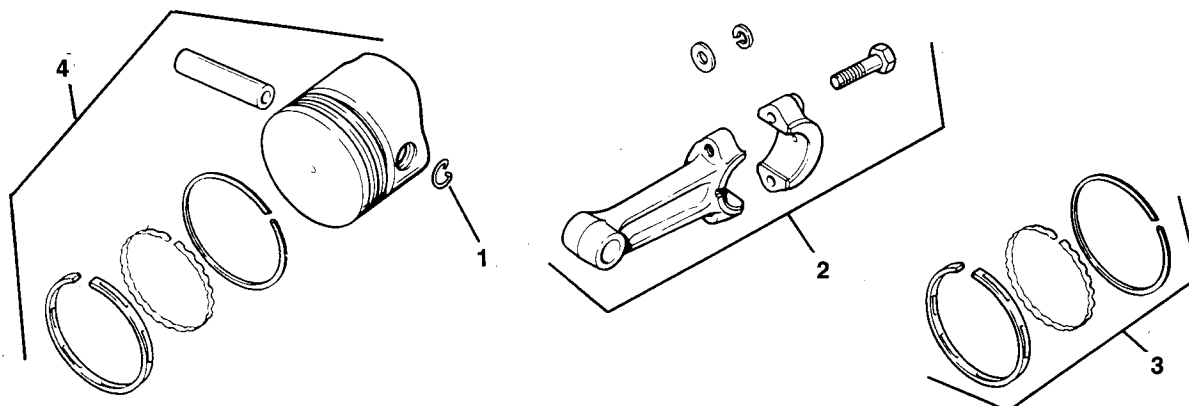
Item Qty.	Description Variation(s)	Part No.	Item Qty.	Description Variation(s)	Part No.
1	1 Cover, breaker 48	232535	9	1 Bracket, mounting 48	48 126 16
2	1 Rod, breaker push 48	X-489-8	10	1 Lead, high tension 48	48 348 02
3	1 Breaker 48	48 150 03	11	1 Lead, high tension 48	48 348 04
4	1 Gasket, point cover 48	52 041 11	12	1 Diaphragm, breaker 48	220074
5	1 Condenser 48	230722	13	1 Screw, HC SEMS 48	X-776-1
6	2 Plug, spark 48	235041-S	14	1 Lead 48	48 518 26
7	1 Plate, coil mounting 48	271694			
8	1 Coil, ignition 48	277375			

## Group 21: Oil Pan



Item Qty.	Description Variation(s)	Part No.	Item Qty.	Description Variation(s)	Part No.
1	2 Plug, pipe NPTF 3/8 31	X-75-32	5	1 Adapter, oil fill 31	48 029 09
2	2 Pin, dowel 31	230125-S	6	1 Gasket, oil fill adapter 31	48 041 09
3	3 Washer, 3/8 31	270889	7	1 Pan, oil 31	48 199 32
4	1 Gasket, oil pan 31	277014	8	1 Washer, high temp. cutout 31	47 468 07

## Group 22: Piston & Rod



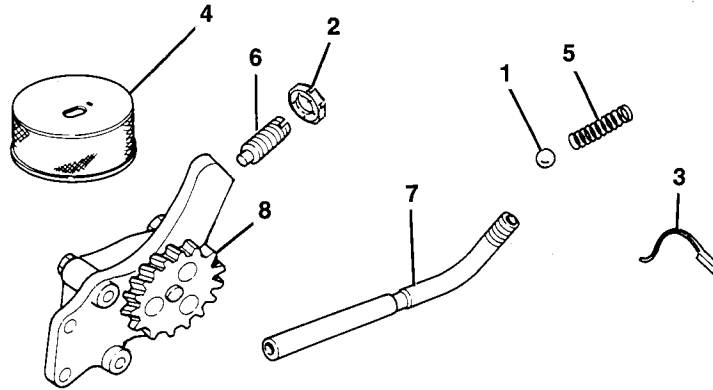
Note: Early models (before engine serial no. 1932505675) use piston and rod assemblies listed at bottom of page.

Item	Qty.	Description Variation(s)	Part No.	Item	Qty.	Description Variation(s)	Part No.
1	4	Retainer 10	47 018 01	4	2	Piston w/rings (std.) 10	48 874 21*
2	2	Connecting Rod Assembly (Std.) 10	48 067 16	2	2	Piston w/rings (.003) 10	48 874 22*
	AR	Connecting Rod Assembly(.010) 10	48 067 17	2	2	Piston w/rings (.010) 10	48 874 23*
3	2	Ring Set (std. & .003) 10	48 108 05	2	2	Piston w/rings (.020) 10	48 874 24*
	2	Ring Set (.010) 10	48 108 06	2	2	Piston w /rings (.030) 10	48 874 25*
	2	Ring Set(.020) 10	48 108 07				
	2	Ring Set (.030) 10	48 108 08	*		Includes Pin and Retainers	

Note: Use these piston and rod assemblies on early models with engine serial numbers before 1932505675.

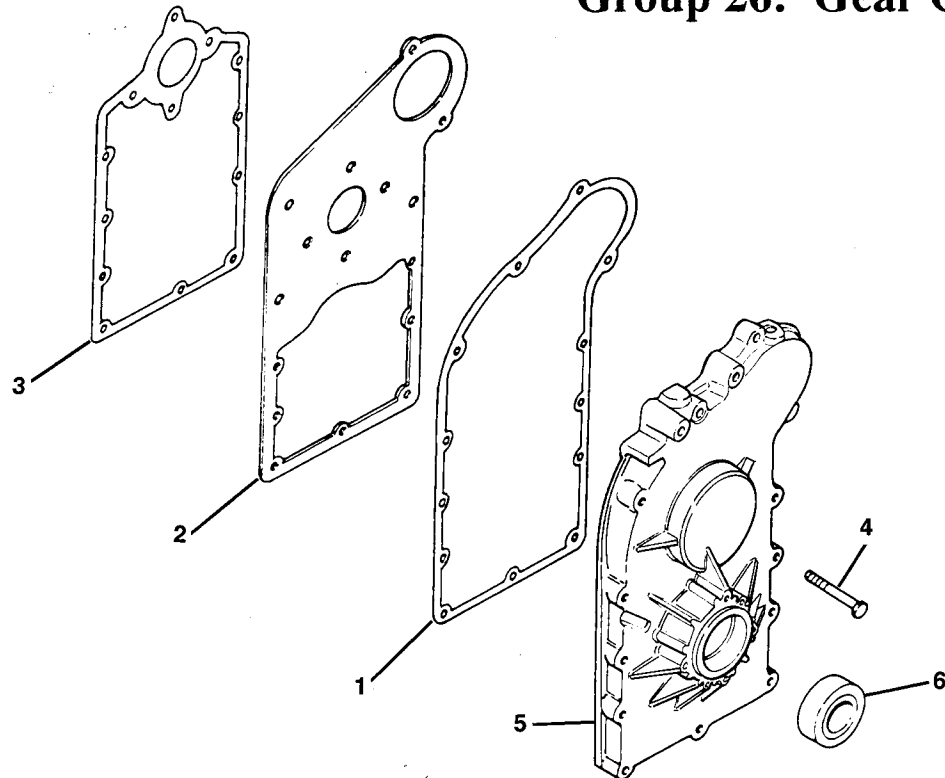
Item	Qty.	Description Variation(s)	Part No.	Item	Qty.	Description Variation(s)	Part No.
1	4	Retainer 10	47 018 01	4	2	Piston w/rings (std.)	48 874 06*
2	2	Connecting Rod Assembly (Std.)	48 067 12	2	2	Piston w/rings (.003)	48 874 07*
	AR	Connecting Rod Assembly(.010)	48 067 13	2	2	Piston w/rings (.010)	48 874 08*
3	2	Ring Set (std. & .003)	48 108 05	2	2	Piston w/rings (.020)	48 874 09*
	2	Ring Set (.010)	48 108 06	2	2	Piston w /rings (.030)	48 874 10*
	2	Ring Set(.020)	48 108 07				
	2	Ring Set (.030)	48 108 08	*		Includes Pin and Retainers	

## Group 25: Oil Pump



Item	Qty.	Description Variation(s)	Part No.	Item	Qty.	Description Variation(s)	Part No.
1	1	Ball, steel 5/16 6	X-212-3	5	1	Spring, oil relief 6	48 089 03
2	1	Nut, lock 1/8-27 6	X-629-1	6	1	Screw, oil 6	48 102 01
3	1	Clip, oil tube 6	270085	7	1	Tube, oil inlet 6	48 123 03
4	1	Strainer, oil 6	277202	8	1	Oil Pump Assembly 6	48 393 23

## Group 26: Gear Cover

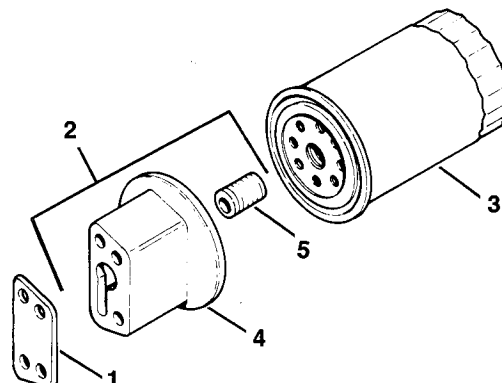


Item	Qty.	Description Variation(s)	Part No.	Item	Qty.	Description Variation(s)	Part No.
1	1	Gasket, gear cover 11	277020	4	2	Screw, gear cover 5/16-18 x 1-3/4 11	277086
2	1	Plate, gear cover 11	277021	5	1	Cover, gear 11	48 096 11
3	1	Gasket, gear cover plate 11	277022	6	1	Seal, oil 11	52 032 08

## Group 29: Oil Filter

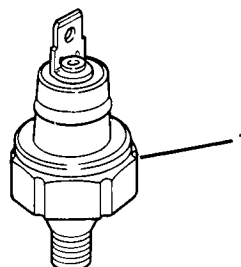
Item	Qty.	Description Variation(s)	Part No.
1	1	Gasket 12	48 041 03
2	1	Adapter, filter assembly 12	48 180 03
3	1	Filter, oil 12	52 050 02
4	1	Adapter, oil filter 12	48 029 02*
5	1	Nipple, oil filter 12	277234

\* Included in Item 2, Adapter, filter assembly



## Group 32: Oil Pressure Cutout

Item	Qty.	Description Variation(s)	Part No.
1	1	Switch, oil pressure 11	48 099 07



## Group 42: Short Block

Item	Qty.	Description Variation(s)	Part No.
1	1	Short Block Assembly 18	48 522 36*

\* Includes camshaft, crankshaft, oil pump, piston, and valve assemblies

## Gasket Sets \*

### 48 004 02 (without seals)

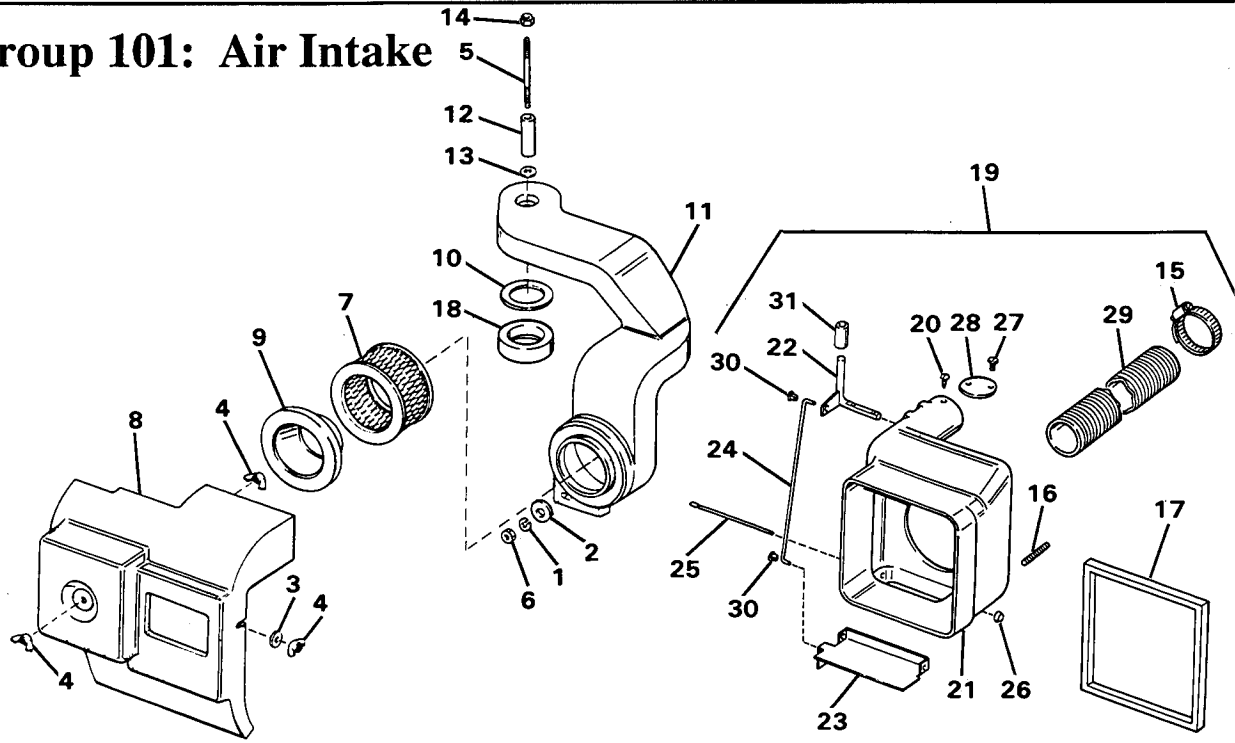
Description	Part No.	Description	Part No.
Gasket, valve cover (2)	270034	Gasket, 0.005 rear closure (3)	277103
Gasket, carburetor	271030	Gasket, 0.010 rear closure (3)	277115
Gasket, oil pan	277014	Gasket, fuel pump	277649
Gasket, gear cover	277020	Gasket, fuel pump	25 041 05
Gasket, gear cover plate	277022	Gasket, air cleaner	25 041 06
Gasket, breather	277073	Gasket, oil filter (2)	48 041 03
Gasket, governor housing	277078	Gasket, manifold	48 041 11
Gasket, closure plate	277087	Gasket, manifold	48 041 12
Gasket, manifold (2)	277091	Gasket, manifold (2)	48 052 02
Gasket, air cleaner	277093	Gasket, point cover	52 041 11
Gasket, governor cover	277099		

### 48 755 33 (with seals)

Description	Part No.	Description	Part No.
Gasket, valve cover (2)	270034	Gasket, 0.005 rear closure (3)	277103
Gasket, carburetor	271030	Gasket, 0.010 rear closure (3)	277115
Gasket, oil pan	277014	Gasket, fuel pump	277649
Gasket, gear cover	277020	Gasket, fuel pump	25 041 05
Gasket, gear cover plate	277022	Gasket, air cleaner	25 041 06
Gasket, breather	277073	Gasket, oil filter (2)	48 041 03
Gasket, governor housing	277078	Gasket, manifold	48 041 11
Gasket, closure plate	277087	Gasket, manifold	48 041 12
Gasket, manifold (2)	277091	Gasket, manifold (2)	48 052 02
Gasket, air cleaner	277093	Gasket, point cover	52 041 11
Gasket, governor cover	277099		

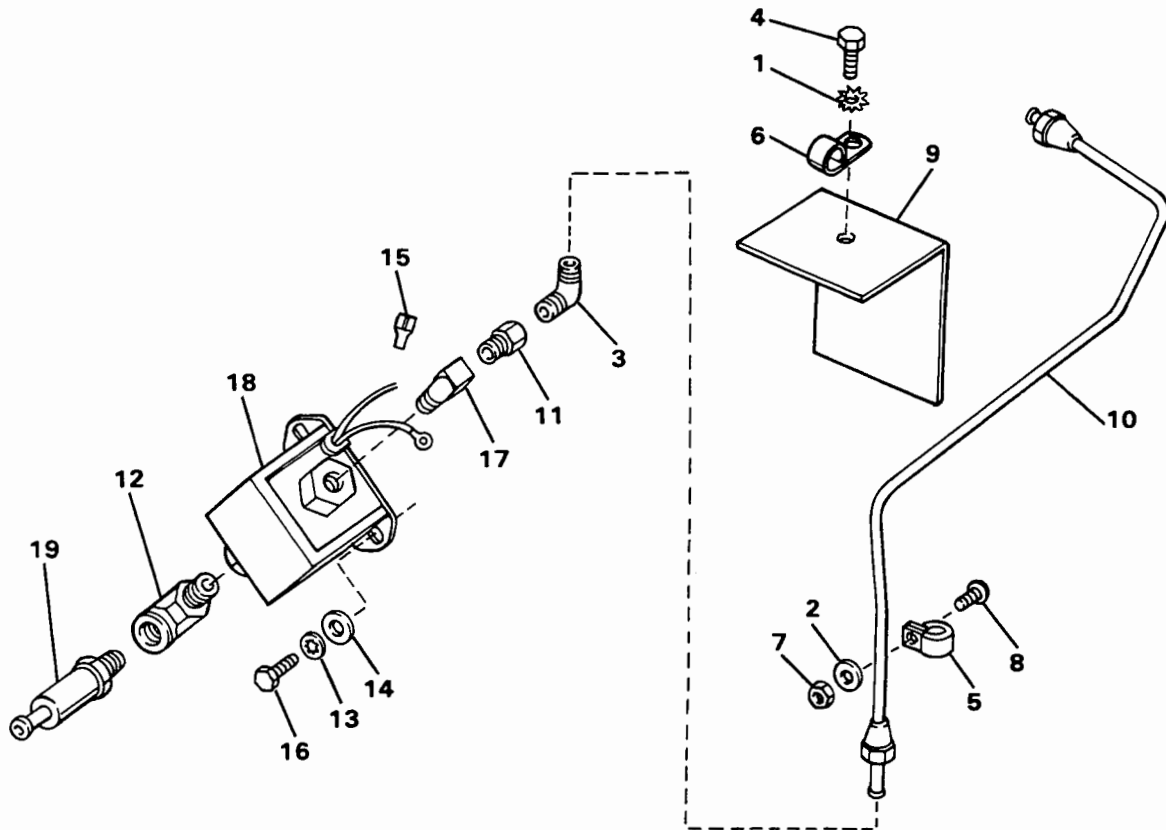
\* Gasket sets may include gaskets/seals not used in generator applications

# Group 101: Air Intake



Item	Qty.	Description Variation(s)	Part No.	Item	Qty.	Description Variation(s)	Part No.
1	2	Split lock #10 hardware 4		16	2	Stud 4,6,7	278186
2	2	Washer, plain 13/64 x 3/4 4,6,7	X-25-45	17	1	Seal, foam 4,7	278344
3	2	Washer, plain 17/64 x 3/4 4,6,7	X-25-52	18	1	Spacer, air intake 4,6,7	278394
4	3	Nut, wing 1/4-20 4,6,7	X-276-9	19	1	Cover Assembly (includes items 20-31) 4,7	A-278292
5	1	Stud, 1/4-20 x 3-7/8 4,6,7	X-352-14	20	1	Screw, self-tapping #8 4,7	X-67-76
6	2	10-24 hardware 4,6,7	#	21	1	Cover, air filter 4,7	278280
7	1	Element, air cleaner 4,6,7	277759	22	1	Shaft, heater 4,7	278282
8	1	Cover, air cleaner 4,6,7	278167	23	1	Plate, vent 4,7	278283
9	1	Seal, air cleaner 4,6,7	278173	24	1	Linkage, heater 4,7	278285
10	1	Gasket, air cleaner 4,6,7	278176	25	1	Hinge, heater 4,7	278286
11	1	Duct, air intake 4,7	278401	26	1	Fastener, push-on 4,7	278288
	1	Duct, air intake 6	278451	27	2	Screw 4,7	278289
12	1	Spacer 4	X-400-164	28	1	Plate, throttle 4,7	278290
	1	Spacer 6,7	X-400-162	29	1	Hose, emission 4,7	278291
13	1	Washer, rubber 4,6,7	278229	30	2	Bushing, linkagae 4,7	2378293
14	1	Nut, elastic stop 4,6,7	X-101-8	31	1	Tubing, flex 4,7	278469
15	1	Clamp, hose 1-1/4 4,6	X-426-12				

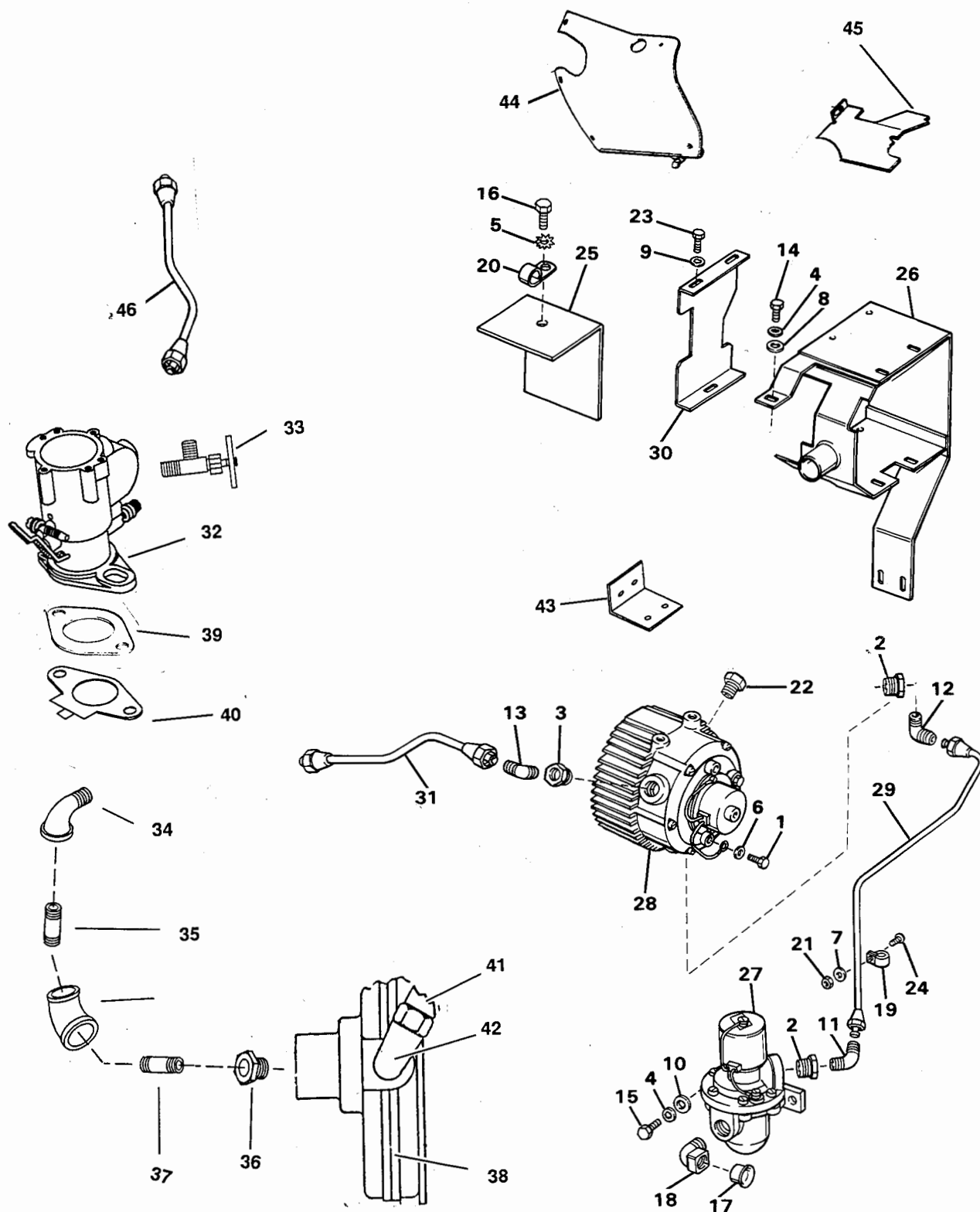
## Group 103: Fuel System (Gasoline)



Item	Qty.	Description Variation(s)	Part No.	Item	Qty.	Description Variation(s)	Part No.
1	1	Washer, int./ext. tooth 16	X-22-12	11	2	Adapter, pipe 16	278470
2	1	10-32 hardware 16		12	3	Elbow, street 16	X-211-10
3	1	Elbow, 7/16-20 x 1/8 16	X-447-10	13	2	1/4-20 hardware 16	
4	1	1/4-20 hardware 16		14	2	Washer, plain 17/64 x 1/2 16	X-25-63
5	1	Clamp 16	X-672-10	15	2	Terminal 16	X-431-29
6	1	Clamp, insulated 16	X-672-14	16	2	Screw, H.C. 1/4-20 x 1/2 16	X-465-6
7	1	10-32 hardware 16		17	1	Elbow, street 1/8 16	X-555-2
8	1	10-32 x .50 16	X-97-2	18	1	Pump, fuel 16	249490
9	1	Shield, fuel line 16	278267	19	1	Filter, fuel 16	249433
10	1	Line, fuel 16	278456				

Note: See Groups 105 and 301 for additional components.

# Group 103: Fuel System (LP)

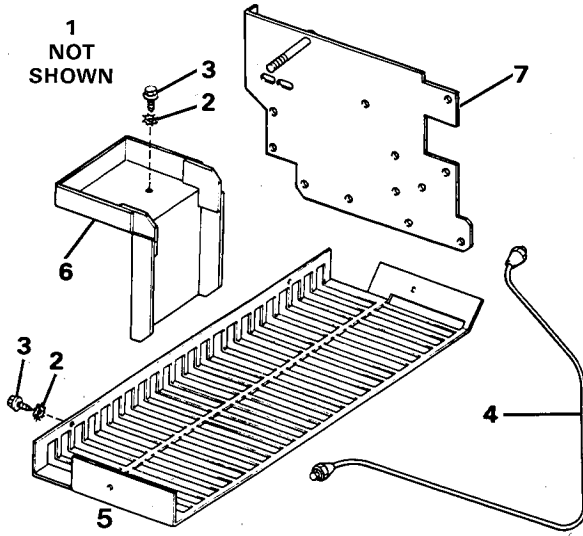


## Group 103: Fuel System (LP)

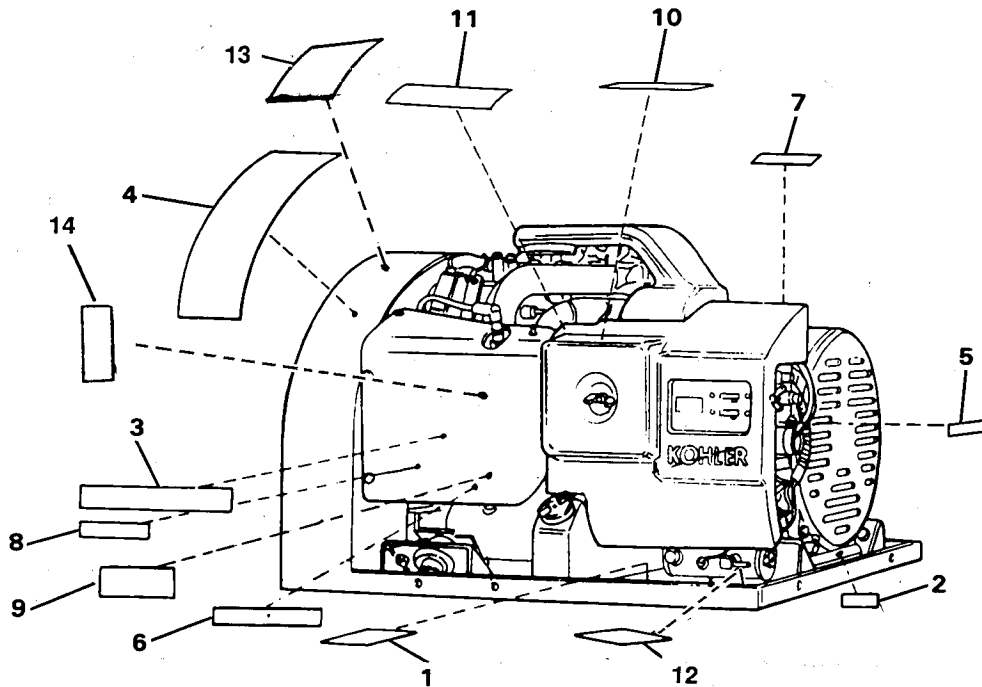
Item	Qty.	Description Variation(s)	Part No.	Item	Qty.	Description Variation(s)	Part No.
1	4	10-24 x 5/8 hardware 15		25	1	15,17 Shield, fuel line	278267
2	1	Bushing, reducer 15	X-202-27	26	1	Bracket, regulator 15	278298
	2	Bushing, reducer 17	X-202-27	1	1	Bracket, regulator (not shown) 17	278560
3		Bushing, reducer 3/8 15	X-202-28	27	1	Filter, fuel 15,17	278299
4	7	Washer, internal tooth 1/4 15	X-22-11			Filter and 'O' ring (not shown) 15,17	278942
5	1	Int./ext. tooth 1/4 hardware 15,17		28	1	Vaporizer 15	278300
6	4	Int. tooth #10 hardware 15		1	1	Vaporizer 17	278563
7	3	Plain #10 hardware 15		29	1	Line, fuel 15	278301
8	5	1/4-20 hardware 15		1	1	Line, fuel 17	278556
9	3	Plain #8 hardware 15		30	1	Plate 15	278307
10	2	Washer, palin 1/4 x 1/2 1/16 15	X-25-63	31	1	Line, fuel 15	278480
11	2	Elbow, 7/162- x 1/8 15,17	X-447-10	1	1	Hose 17	278558
12	1	Elbow, oil line connection 15	X-447-7	32	1	Carburetor, LP 15,17	A-277871
	1	Elbow, street 1/4 17	X-215-5	33	1	Valve, angle needle 15,17	278477
	1	Connector, 7/16-20 x 1(not shown) 17	X-296-1	34	2	Elbow 17	X-215-9
13	1	Elbow, 7/16-20 x 1/8 15	X-447-9	35	1	Nipple, pipe 3/8 17	X-204-7
14	5	Screw, H.C. 1/4-20 x 3/4 15,17	X-465-16	36	1	Reducer, bushing 17	X-202-23
15	2	Screw, H.C. 1/4-20 x 1/2 15,17	X-465-6	37	1	Nipple, pipe 3/8 x 1 17	X-204-9
16	1	Screw, H.C. 1/4-20 x 5/8 15,	X-465-2	38	1	Regulator Assembly 17	B-230695
	2	Screw, H.C. 1/4-20 x 5/8 17	X-465-2	39	1	Gasket, PTC 17	278528
17	1	Plug, cap 1/8 15,17	X-519-1	40	1	PTC Assembly 17	278445
18	1	Elbow, street 15,17	X-555-1	41	1	Hose 17	278557
19	1	Clamp 1/2 15	X-672-10	42	1	Elbow, 7/16-20 x 1/8 17	X-447-9
	1	Clamp, insulated 17	X-672-14	43	1	Bracket, vaporizer 17	278559
20	1	Clamp, insulated 15	X-672-14	44	1	Baffle, cylinder head 17	278561
21	1	10-32 hardware 15,17	#	45	1	Baffle, top cylinder 17	278562
22	1	Plug, pipe 1/2 15,17	X-75-23	46	1	Line, fuel 17	278480
23	3	Screw, drill 15	X-794-2				
24	1	Screw, RHM 10-32 x 1/2	X-97-2				

## Group 105: Engine

Item	Qty.	Description Variations	Part No.
1	1	Engine Assembly (not shown) (Engine spec 36376) 6,7	A-278393
	1	Engine Assembly (Engine spec 36376)A-278400 8	
	1	Engine Assembly (Engine spec 36382)A-278444 9	
	1	Engine Assembly (Engine spec 36382)A-278974 11	
2	5	Int./ext. tooth #8 hardware 6,7	
3	5	Screw, drill 6,7,8,9,11	X-794-2
4	1	Line, fuel pump 6	278174
5	1	Guard, air vac 6,7,8,9,11	278209
6	1	Shield, fuel line 6	278267
7	1	Bracket, mounting 7,8,9,11	278458

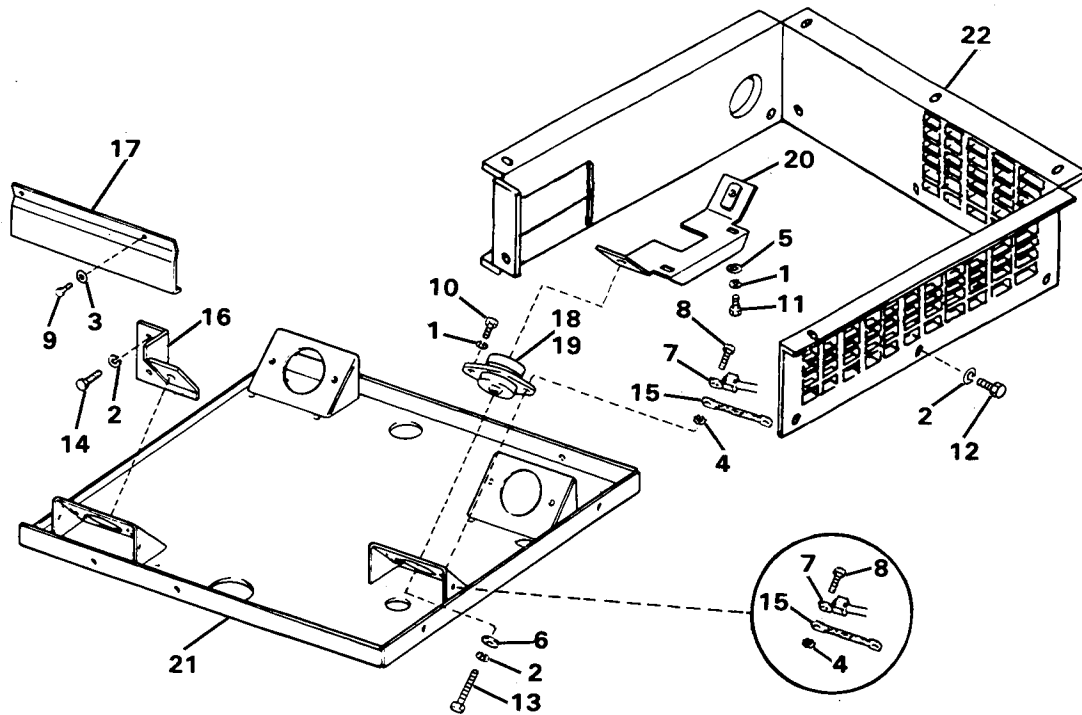


## Group 107: Nameplate & Decals



Item	Qty.	Description Variation(s)	Part No.	Item	Qty.	Description Variation(s)	Part No.
1	1	Decal, positive term 33,34,36,38,39	238402	1	1	Decal, rec. vehicle listed 36,37	259282
2	1	Decal, equipment ground 33,34,36,37,38,39	238575	8	1	Decal, oil filter 33,34,36,37,38,39	278222
3	1	Decal, Kohler 7000 33,34,36,37,38,39	278137	9	1	Decal, Backfeed warning 33,34,36,37,38,39	239771
4	1	Decal, service schedule 33,34,38,39	278512	10	1	Decal, filter replacement 33,34,36,37,38,39	238793
	1	Decal, service schedule 36,37	278545	11	1	Decal, anti-icing 33,34,37	278287
5	1	Decal, 10 Amp. fuse 33,34,36,37,38,39	241771	12	1	Marker, adhesive 33,34,36,37,38,39	238162
6	1	Decal, installation warning 33,34,36,37,38,39	239773	13	1	Decal, warning carbon monoxide 33,34,36,37,38,39	239796
7	1	Decal, rec. vehicle listed 33,34,38	239772	14	1	Decal, warning hot engine 33,34,36,37,38,39	249809

## Group 109: Skid & Mounting

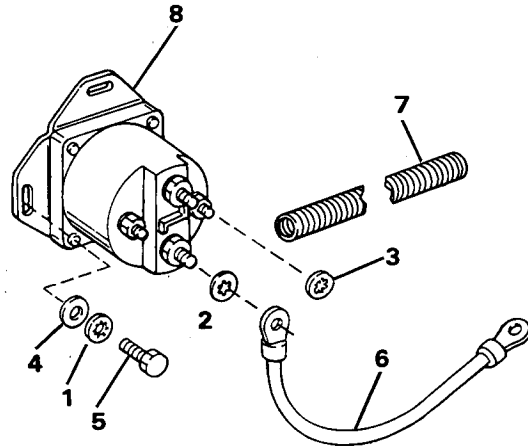


Item	Qty.	Description Variation(s)	Part No.	Item	Qty.	Description Variation(s)	Part No.
1	12	Split lock 5/16 hardware 37,38,39,41,42,43,44,46		16	1	Bracket, mounting 37,38,39,44	278172
2	13	Split lock 3/8 hardware 37,41,44,46		1	1	Bracket, mounting 41,42,43,46	278368
	4	Split lock 3/8 hardware 38,39		17	1	Cover, cylinder head 37,38,39,41,42,43,44,46	278195
3	1	Internal tooth 1/4 hardware 37,38,39,41,42,43,44,46		18	2	Mount, vibro (gen. end/red) 37,38,39,41,42,43,44,46	278271
4	4	Int./ext. tooth 1/4 hardware 37,38,39,41,42,43,44,46		19	2	Mount, vibro (engine end/green) 37,38,39,41,42,43,44,46	278322
5	2	3/4 x 5/16 x 1/16 hardware 37,38,39,41,42,43,44,46		20	1	Bracket, mounting 37,38,39,41,42,43,44,46	278369
6	4	13/16 x 13/32 x 1/16 hardware 37,38,39,41,42,43,44,46		21	1	Tray, moounting 37,44	278370
7	1	Connector, cable 37,38,39,41,42,43,44,46	X-377-12	1	1	Tray, mounting 38	278345
8	3	1/4-20 x 1/2 hardware 37,38,39,41,42,43,44,46		1	1	Tray, mounting 39	248346
9	1	1/4-20 x 3/8 hardware 37,38,39,41,42,43,44,46		1	1	Tray, mounting 41,46	278384
10	8	5/16-18 x 5/8 hardware 37,38,39,41,42,43,44,46		1	1	Tray, mounting 42	278360
11	2	5/16-18 x 7/8 hardware 37,38,39,41,42,43,44,46		1	1	Tray, mounting 43	278361
12	9	3/8-16 x 5/8 hardware 37,41,44,46		22	1	Support, tray 37,41	278453-KCB
13	4	3/8-16 x 2 hardware 37,38,39		1	1	Suppoty, tray 44,46	278745-KCB
14	2	3/8-16 x 3/4 hardware 37,38,39,41,42,43,44,46		1	1	Bracket, muffler (not shown) 44,46	278746
15	1	Strap, ground 37,38,39,41,42,43,44,46	245297	1	1	Stud (not shown) 44,46	X-352-77

## Group 112: Starter Relay

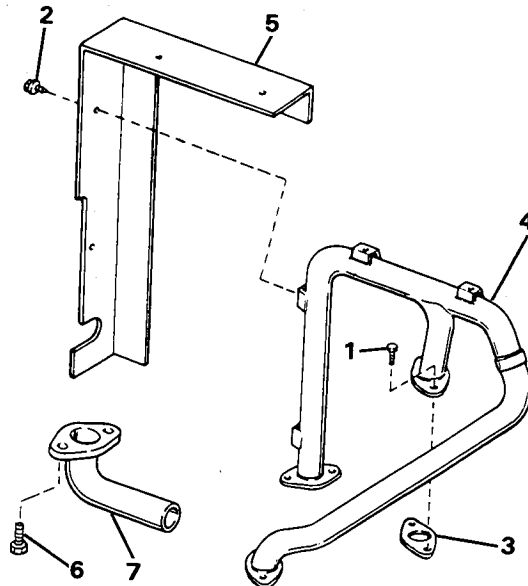
Item	Qty.	Description Variation(s)	Part No.
1	1	Washer, lock 1/4 10	x-22-11
2	2	5/16-18 hardware 10	
3	2	Washer, lock shakeproof 10	X-22-5
4	2	1/4-20 hardware 10	
5	2	1/4-20 hardware 10	
6	1	Cable, battery 10	X-545-29
7	1	Conduit, convoluted 10	X-6003-17
8	1	Switch, relay 10	248846

Note: Additional starter components listed in Group 11, Electric Start

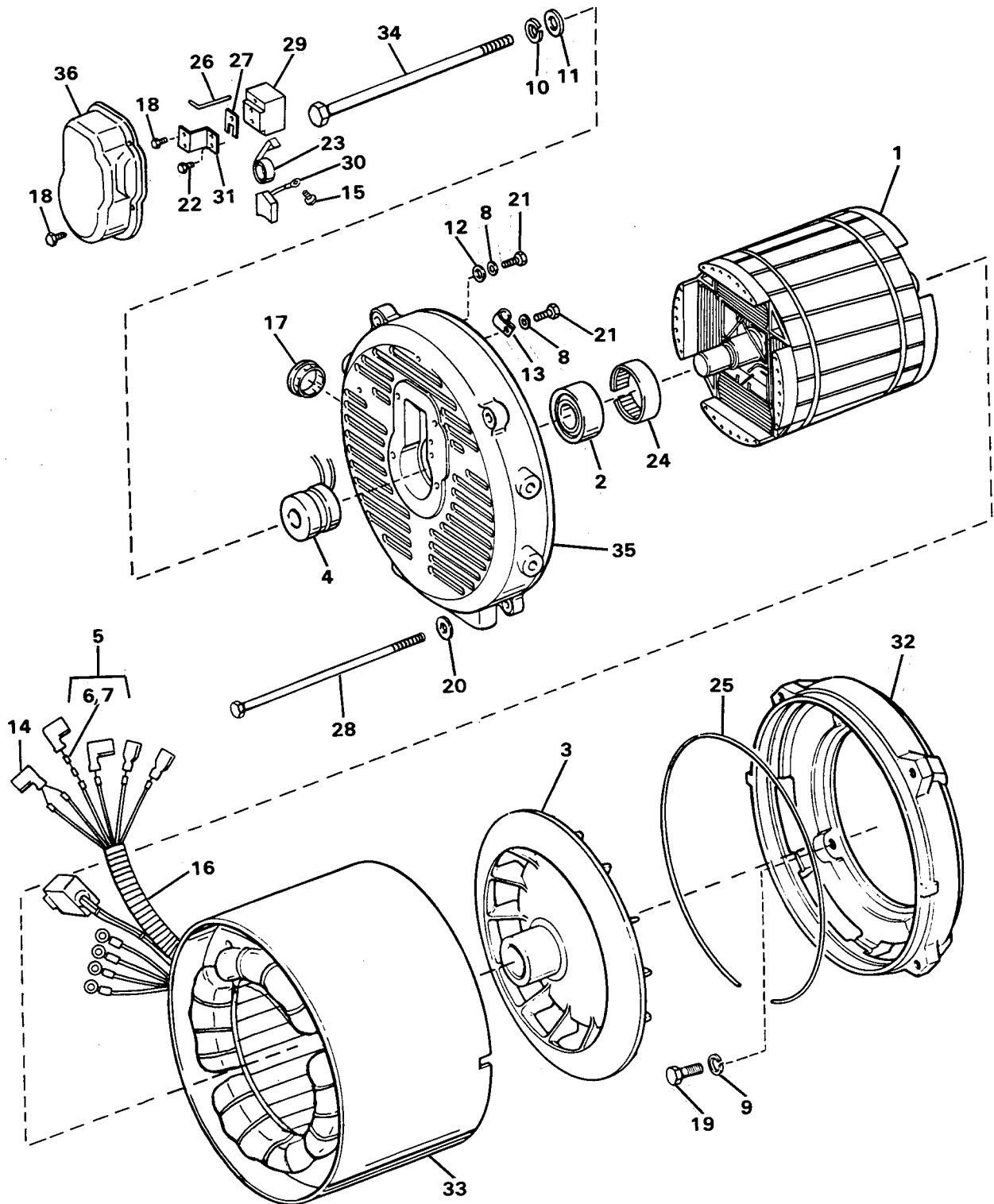


## Group 116: Exhaust System

Item	Qty.	Description Variation(s)	Part No.
1	4	Screw, hex hd. 5/16-18 x 3/4 10,14,15,16,17	X-55-6
2	2	Screw, drill 10,14,15,17	X-794-2
	4	Screw, drill 16	X-794-2
3	2	Gasket, manifold 14,15,16	278200
	3	Gasket, manifold 10,17	278200
4	1	Manifold, exhaust 10,14,15,16,17	278216
5	1	Baffle, heat 10,16,17	278217
	1	Baffle, heat 14,15	278279
6	2	Screw, hex flang 5/15-18 x5/8 10, 15, 17	X-6217-1
7	1	Tube, exhaust 15, 17	278203
	1	Tube, exhaust 10	278747



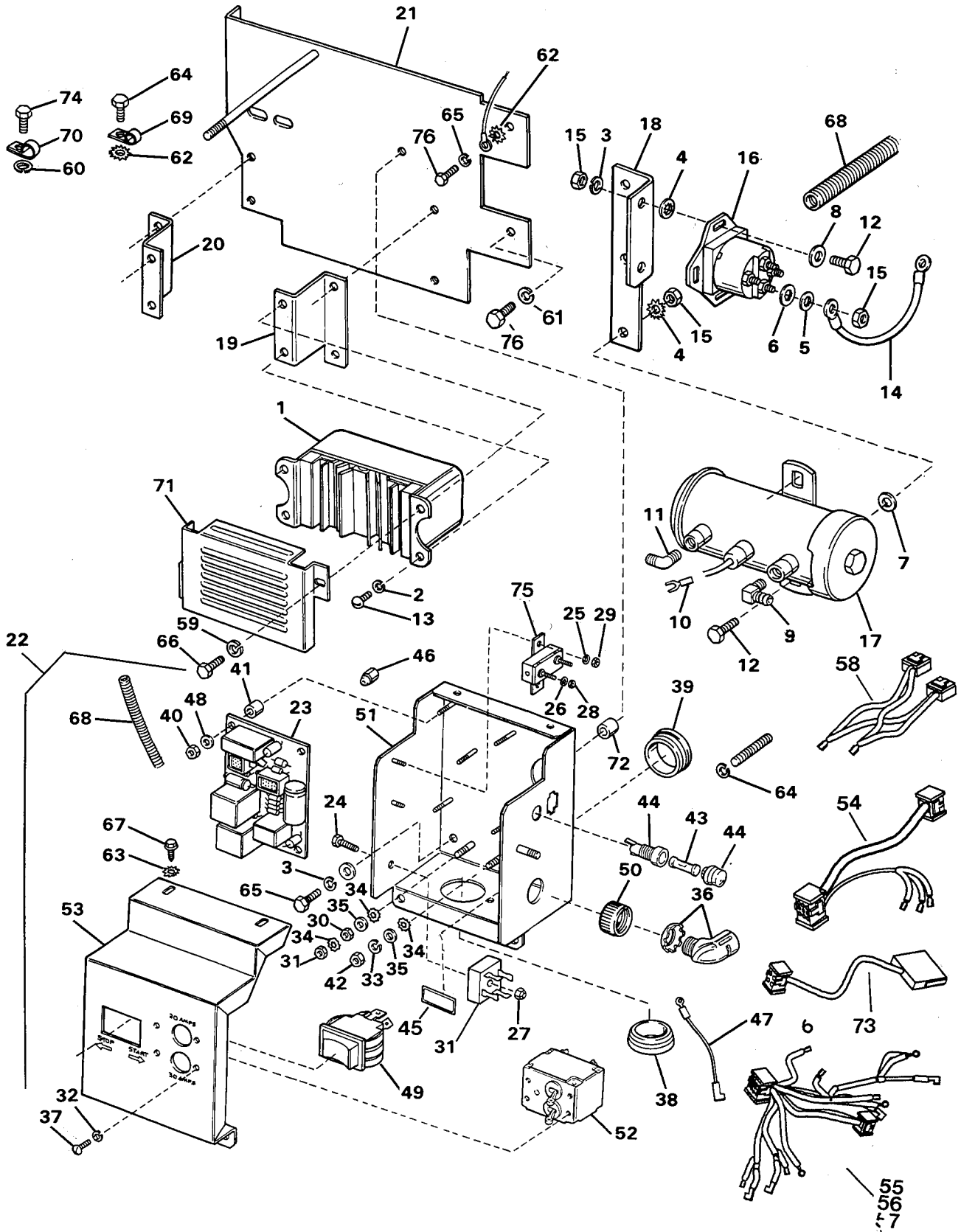
# Group 201: Generator & Mounting



## Group 201: Generator & Mounting

Item	Qty.	Description Variation(s)	Part No.	Item	Qty.	Description Variation(s)	Part No.
1	1	Rotor Assembly (Includes items 2-4) 83,84	A-278340	19	4	Screw, H.C. 7/16-14 x 1 83,84	X-6024-2
2	1	Bearing, ball 83,84	X-758-1	20	4	Washer, hardened 83,84	X-801-2
3	1	Fan, generator 83,84	268204	21	2	Screw, H.C. 10/32 x 3/8 83,84	X-97-11
4	1	Ring, collector 83,84	241671	22	2	Screw, hex head 10-32 x 7/16 83,84	X-97-13
	1	'O' Ring (not shown) 83,84	256466	23	2	Spring 83,84	238150
5	1	Fuse Holder assy. (Includes items 6 and 7) 83,84	A-278472	24	1	Ring, tolerance 83,84	238211
6	1	Fuse, 8amp 83,84	258405	25	1	Guard, generator fan 83,84	238214
7	1	Holder, in-line fuse 83,84	269216	26	2	Wire, retainer brush (service tool) 83,84	238247
8	2	Washer, internal tooth #10 83,84	X-22-9	27	3	Shim, brush holder 83,84	238248
9	4	Washer, split lock 7/16 8,84	X-23-1	28	4	Bolt, over 83,84	238525
10	1	Washer, split lock 1/2 83,84	X-24-6	29	1	Holder, brush 83,84	239247
11	1	Washer, plain 1/2 x 1-1/4 x 5/32 83,84	X-25-30	30	2	Brush 83,84	239282
12	1	Plain #10 hardware 83,84		31	1	Bracket 83,84	249370
13	1	Clip, wire 83,84	X-339-3	32	1	Adapter, generator 83,84	277937
14	1	Terminal 83	X-431-39	33	1	Stator Assembly 83	278341
15	2	Screw, RHM 6-32 x 5/16 83,84	x-49-1		1	Stator Assembly 84	278494
16	1	Conduit, convoluted 83,84	X-6003-8	34	1	Bolt, thru 83,84	278342
17	1	Bushing 83,84	X-634-12	35	1	Bracket, end 83,84	278792
18	6	Screw, self-tapping 10-32 x 7/16 83,84	X-67-64	36	1	Cover, brush holder 83,84	278804

# Group 301: Controller & Mounting



## Group 301: Controller & Mounting

Item	Qty.	Description Variation(s)	Part No.	Item	Qty.	Description Variation(s)	Part No.
1	1	Regulator, voltage 34,35,37,38,39,40,41,42,44	C-239753	26	2	Internal tooth #10 hardware 41	
2	2	Washer, split lock #8 34,35,37,44	X-22-7	27	1	Nut, whiz lock 41	X-6210-1
	4	Washer, split lock #8 38,39,41,42	X-22-7	1	1	Screw, H.C. 42	X-117-3
3	7	1/4 hardware 34,35,37,38,44		28	2	10-32 hardware 41	
4	3	Int./ext. tooth 1/4 hardware 34,35,37		29	2	8-32 hardware 41	
5	2	Internal tooth 5/16 hardware 34,35,37		30	2	Nut, hex 1/4-20 41,42,44	X-76-2
6	2	Internal tooth #10 hardware 34,35,37,41		31	1	Rectifier 41,42	228163
7	1	17/64 x 5/8 x 1/16 hardware 34,35,37		32	4	Split lock #6 hardware 34,35,37,38,39,40,41,44	
8	2	17/64 x 5/8 x 1/16 hardware 34,35,37		33	1	Washer, split lock 1/4 34,35,37,38,39,40,41,42,44	X-22-11
9	1	Connector, hose 1/8 34,35,37	X-391-1	34	5	Washer, int./ext. tooth 1/4 34,35,37,42	X-22-12
10	1	Terminal 34,35,37	x-481-38	35	3	Washer, int./ext. tooth 1/4 39,40,41,42,44	X-22-13
11	1	Eblow, 7/16-20 x 1/8 34,35,37	X-447-10	36	2	Int./ext. tooth 1/4, hardware 38	
12	7	Screw, H.C. 1/4-20 x 5/8 34,35,37	X-465-2	37	2	17/64 x 5/8 x 1/16 hardware 34,35,37,38,39,40,41,44	
13	2	Screw, RHM 8-32 x 3/8 34,35,37,38,39,40,41,42,44	X-791-1	38	1	Connector, conduit 34,35,37,38,39,40,41,42,44	X-252-13
14	1	Cable, battery 34,35,37	X-545-55	39	4	Screw, RHM 6-32 x 1/4 34,35,37,38,39,40,41,42,44	X-49-25
15	3	1/4-20 hardware 34,35,37		40	1	Bushing 34,35,37,44	X-634-12
16	1	Switch, relay 34,35,37	248846	41	2	Bushing 38,39,40,41,44	X-634-15
17	1	Pump, electric fuel 34,35,37	277818	42	3	Bushing 38,39,40,41,42	X-634-15
18	1	Bracket, fuel pump 34,35,37	278175	43	5	Nut, hex 8-32 34,35,37,38,39,40,41,42,44	X-70-12
19	1	Bracket, regulator 34,35,37	278350	44	6	Spacer, fiber 34,35,37,38,39,40,41,42,44	X-712-2
20	1	Bracket, regulator 34,35,37	278351	45	2	Nut, hex 1/4-20 (green) 34,35,37,38,39,40,41,42	X-81-8
	2	Bracket, regulator 38,39,40,41,42,44	278351	46	1	Nut, hex 1/4-20 (green) 44	X-81-8
21	1	Bracket, mounting 34,35,37	278354	47	1	Fuse, 10 amp 34,35,37,38,39,40,41,42,44	223316
	1	Bracket, mounting 42	278458	48	1	Tube, heat shrink (not shown) 42	X-748-21
22	1	Controller Assembly 34	A-278363	49	1	Holder, fuse 34,35,37,38,39,40,41,42,44	238426
	1	Controller Assembly 35,37	A-278365	50	1	Decal, equip. ground 34,35,37,38,39,40,41,42,44	238575
	1	Controller Assembly 38,44	A-278462	51	4	Spacer 34,35,37	239405
	1	Controller Assembly 39,40	A-278463	52	1	Lead, ground 38,39,40,41,42,44	278457
	1	Controller Assembly 41	A-278484	53	4	Washer, nylon 34,35,37,38,39,40,41,42,44	239665
	1	Controller Assembly 42	A-278565	54	1	Switch, rocker 34,35,37,38,39,40,41,42,44	249406
23	1	Circuit Board Assembly 34,35,37,38,39,40,41,42,44	E-239563	55	1	Bushing, 3/4 34,35,37,38,39,40,41,42,44	278230
24	1	10-32 x 5/8 hardware 41		56	1	Box, controller 34,35,37	278358
	1	Nut, whiz lock 42	X-6210-1	57	1	Box, controller 38,39,40,41,42,44	278460
25	2	Washer, internal tooth #8 41,42	X-22-9	58	2	Breaker, circuit 34,38,41,42,44	278190

	1	Breaker, circuit 35,37,39,40	278190	64	1	1/4-20 x 5/8 hardware 34,35,37,38,39,40,41,44	
	1	Breaker, circuit 35,37,39,40	278257	65	1	1/4-20 x 1 hardware 34,35	
53	1	Cover 34,38,41,44	278362		2	1/4-20 x 1 hardware 35,37,39,40,41	
	1	Terminal, jumper (not shown) 44	241972	66	2	1/4-20 x 3/4 hardware 34,35,37,38,39,40,41	
	1	Cover, silkscreen Not shown) 42	278515	67	5	Screw, RHM 10-24 x 3/8 34,38	X-50-13
	1	Cover 35,37,39,40	278364		4	Screw, RHM 10-24 x 3/8 42	X-50-13
54	1	Harness, wiring P2/P3 34,35,37,38,39,40,41,42,44	278366		1	Screw, RHM 10-24 x 3/8 35,37,39,40,41,44	X-50-13
55	1	Harness, wiring P1 38,39,40	278461	68	2	Conduit, convoluted 34,35,37,38,39,40,41,42,44	X-6003-89
	1	Harness, wiring P1 42	278560		2	Tie, cable (not shown) 38,39,40,42,44	X-462-1
	1	Harness, wiring P1 44	278492		2	Tie, cable (not shown) 38,39,40,42,44	X-468-2
56	1	Harness, P1 34,35,37	278367	69	1	Clamp 34,35,37	X-672-10
57	1	Harness, wiring P1 41	278476	70	1	Clamp, insulated 34,35,37	X-672-14
58	1	Harness, wiring B1/B2 41,42	278483	71	1	Cover, reulator 34,38,39,40,41	278352
59	2	Split lock #8 hardware 34		72	2	Spacer 35,37	X-400-28
	4	Split lock #8 hardware 38,44		73	1	Harness, remote wiring 37,40,44	278371
60	1	Split loxk #10 hardware 34,35,37		74	4	Screw, H.C. 1/4-20 x 5/8 38,39,40,41	X-465-2
61	3	Split lock 1/4 hardware 34,35,37,39,40,41		75	1	Breaker, circuit 41	259459
62	2	Washer, int./ext tooth 1/4 34,35,37,38,39,40,41,42,44	X-22-12		1	Breaker, circuit 42	228162
63	4	Washer, int./ext tooth #10 34,38,39,40,42,44	X-22-9	76	2	1/4-20 x 3/4 hardware 34,35,37	

# Accessories

Description	Qty.	Part No.
<b>Muffler Kits</b>		
<b>Conventional Mounted</b>		
<b>Right Side Outlet</b>		<b>PA-278206</b>
Washer, plain	1	X-25-37
Washer, plain	1	X-25-85
Screw, hex flange	2	X-6217-1
Screw, H.C.	1	X-6238-11
Clamp, U	1	X-722-8
Nut, hex.	1	X-82-2
Screw, shoulder	1	230175
Gasket, manifold	1	278200
tube, exhaust	1	278202
Bracket, exhaust	1	278204
Muffler	1	278223
Strap, muffler mount	1	278252
<b>Left Side Outlet</b>		<b>PA-278221</b>
Washer, plain	1	X-25-37
Washer, plain	1	X-25-85
Screw, hex flange	2	X-6217-1
Screw, H.C.	1	X-6238-11
Clamp, U	1	X-722-8
Nut, hex.	1	X-82-2
Screw, shoulder	1	230175
Gasket, manifold	1	278200
tube, exhaust	1	278202
Bracket, exhaust	1	278204
Muffler	1	278224
Strap, muffler mount	1	278252
<b>Below-Floor Mounted set</b>		
<b>Side Outlet</b>		<b>PA-278205</b>
Screw, H.C.	2	X-125-33
Washer, plain	2	X-25-85
Screw, hex flange	2	X-6217-1
Clamp, U	1	X-722-8
Muffler	1	278189
Gasket, manifold	1	278200
Tube, exhaust	1	278203
<b>Rear Outlet</b>		<b>PA-278219</b>
Screw, H.C.	2	X-125-33
Washer, plain	2	X-25-85
Screw, hex flange	2	X-6217-1
Clamp, U	1	X-722-8
Muffler	1	278218
Gasket, manifold	1	278200
Tube, exhaust	1	278203
<b>Mufflers for Winnebago/Itasca Installation</b>		
<b>Below-Floor Mounted (A)</b>		<b>PA-278205</b>
Screw, H.C.	2	X-125-33
Washer, plain	2	X-25-85
Screw, hex flange	2	X-6217-1
Clamp, U	1	X-722-8
Muffler	1	278189
Gasket, manifold	1	278200
Tube, exhaust	1	278203
<b>Below-Floor Mounted (B,C)</b>		<b>PA-278407</b>
Screw, H.C.	2	X-125-33
Washer, plain	2	X-25-85
Clamp, U	1	X-722-8
Muffler-R.S.	1	278403

A M-Body, Street Side, Midcoach Installation, Exhaust Outlet Service side, Side Exhaust Outlet  
 B M-Body, Street Side, Rear Coach Installation, Exhaust Outlet Opposite Service Side Rear Exhaust Outlet  
 C N-Body Curb Side, Rear Coach Installation, Exhaust Outlet Opposite Service Side Rear Exhaust Outlet  
 Note: M-Body - Superchief, Suncruiser; N-Body - Chieftain Sunflyer

**Optional Tailpipe**

1.365" O.D. x 13.5" x 5"

PA-278255

**Liquid Withdrawal LP Gas Conversion Kit**  
Gasoline to Gas

PA-278568

Remote Start Panel with Digital Hour Meter  
Switch, remote 1  
Screw, sheet metal 2

PAA-239419  
A-239419  
X-794-1

Remote Start Panel

PAA-278727

**Wiring Harness For Remote Start Panels – 4 Pin**

12" for Non-Kohler Wiring (Pigtail)

PA-239430

15' Harness

PA-239414

30' Harness

PA-239412

40' Harness

PA-239413

12" Harness\*

PA-278371

36" Harness\*

PA-278372

\*Adapts RV With Non-Kohler Style Plug to Kohler Controller

**Miscellaneous Accessories**

Winnebago/Itasca Spacer Kit (1 Required)

PA-278485

Washer, plain 14

X-25-34

Washer, plain 5

X-25-37

Screw, H.C. 7

X-6024-5

Nut, Whiz 7

X-6210-11

Screw, 3/8 5

X-6238-2

Bracket, Spacer 1

278482





TP-5349 3/92

PRINTED IN U.S.A.

**KOHLER®**  
POWER SYSTEMS

KOHLER CO. KOHLER, WISCONSIN 53044  
PHONE 414-565-3381, TELEX 26888, FAX 414-565-3648  
FOR SALES & SERVICE IN U.S.A. & CANADA PHONE  
1-800-544-2444