

KOHLER® POWER SYSTEMS



INSTALLATION INSTRUCTIONS

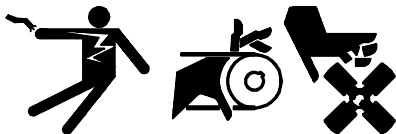
Remote Radiator Assembly Kits with 12-Volt Suction Fan PA-225299 (7CCO) & PA-225300 (10CCO) RV Generator Sets

These kits along with the remote radiator specifications, allow the generator set radiator to be mounted in a location remote from the generator set.

For best performance, it is recommended that the radiator is mounted at the same level as the generator set. If the radiator is mounted at a level lower than the generator set, use of a surge tank is required (not supplied). Recommended maximum radiator mounting distance from generator set is 10 feet.

Radiator mounting location should provide adequate air flow (1250 cfm [35.40 ccm]) to allow proper cooling. (See Figures 1 and 2 for radiator mounting dimensions and air flow direction information.) Use coolant hoses that meet SAE standard—SAE 20R4 (minimum) to connect remote radiator to generator set.

WARNING



Accidental starting.

Can cause severe injury or death.

Disconnect battery cables before working on generator set (negative lead first and reconnect it last).

Accidental starting can cause severe injury or death. Disconnect battery cables (remove negative lead first and reconnect it last) to disable generator set before working on any equipment connected to generator. The generator set can be started by remote start/stop switch unless this precaution is followed.

INSTALLATION

1. Move START/STOP switch to STOP position. Remove generator set battery cables, negative lead first.
2. Mount the remote radiator assembly (A-225668—7CCO) or (A-225664—10CCO). Connect radiator to generator set engine with coolant hoses (not supplied). Secure hoses with hose clamps (not supplied).

NOTE

When routing coolant hoses, avoid sharp bends that may restrict coolant flow. Avoid locating hoses against abrasive or hot surfaces, or sharp edges.
3. Install K30 relay (259391) with 10-32 x 0.500-in. R.H.M. screw (X-50-1) and whiz nut (X-6210-1). See figure 3.
4. Install wiring harness (225683). Install 2-pin connector (P11) in opening at rear of controller. Connect lead 14P to K30 relay, terminal 30. Attach lead N to controller ground with ground screw (see Figure 4).
5. Install wiring harness (225682). Remove leads from terminal 8 of K25 relay, and connect leads to piggy-back connector on wiring harness. Reconnect leads to terminal 8. Connect terminal from leads marked "8" to terminal 86 of K30 relay. Connect remaining terminal to terminal 85 of K30 relay. Attach lead N to controller ground with ground screw.
6. Install in-line fuse holder (269216). Cut the fuse holder lead to create two equal pieces. Strip approximately 0.375-in. (10-mm) of insulation from ends of both leads. Install terminal (X-431-25) to one lead and connect to terminal 87 of K30 relay. Connect other lead to Insulink connector in controller wiring harness (connects to pins 14 and 15 of J4 connector).
7. Install 15-amp. fuse (283645) in fuse holder.

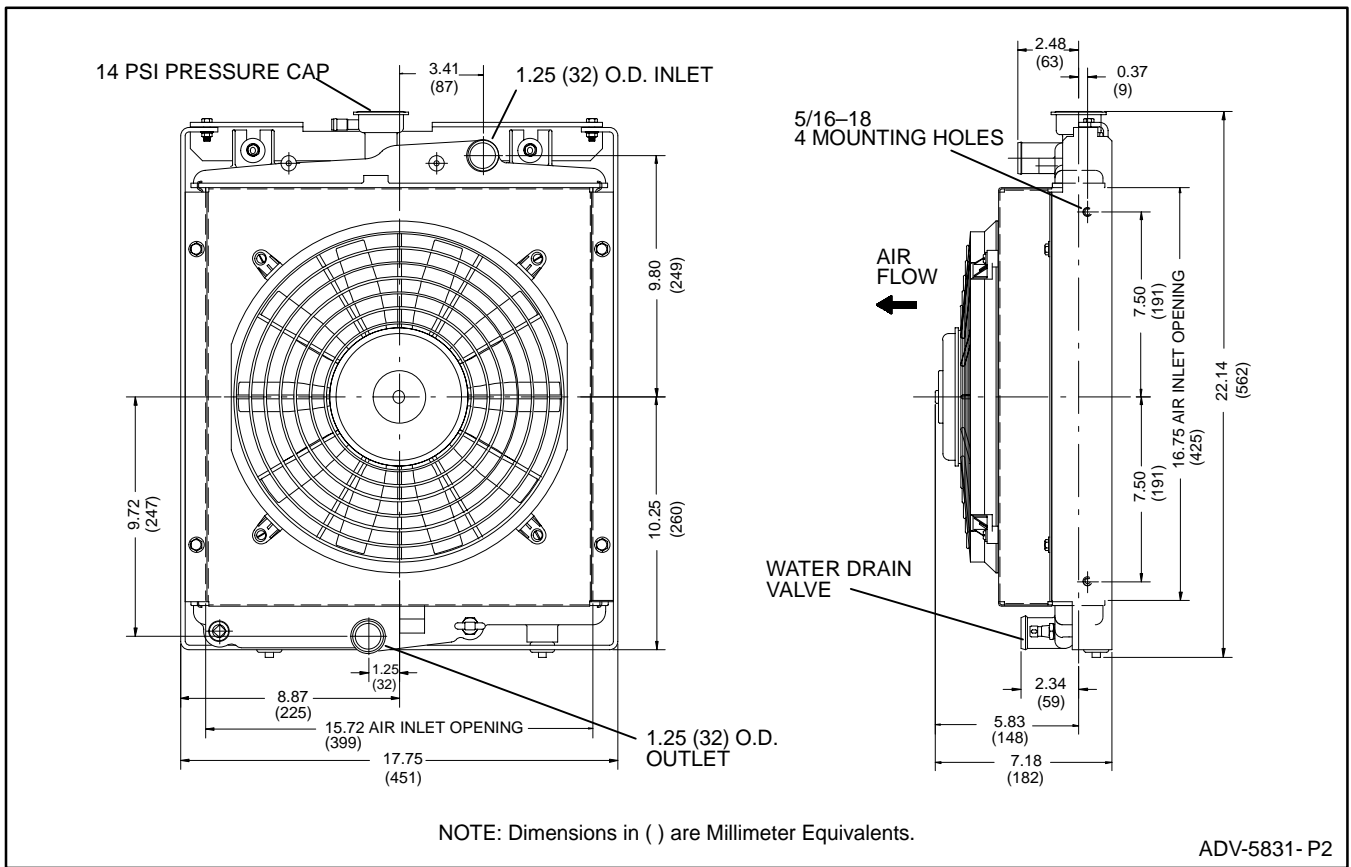


Figure 1. 7CCO Remote Radiator Mounting Dimensions

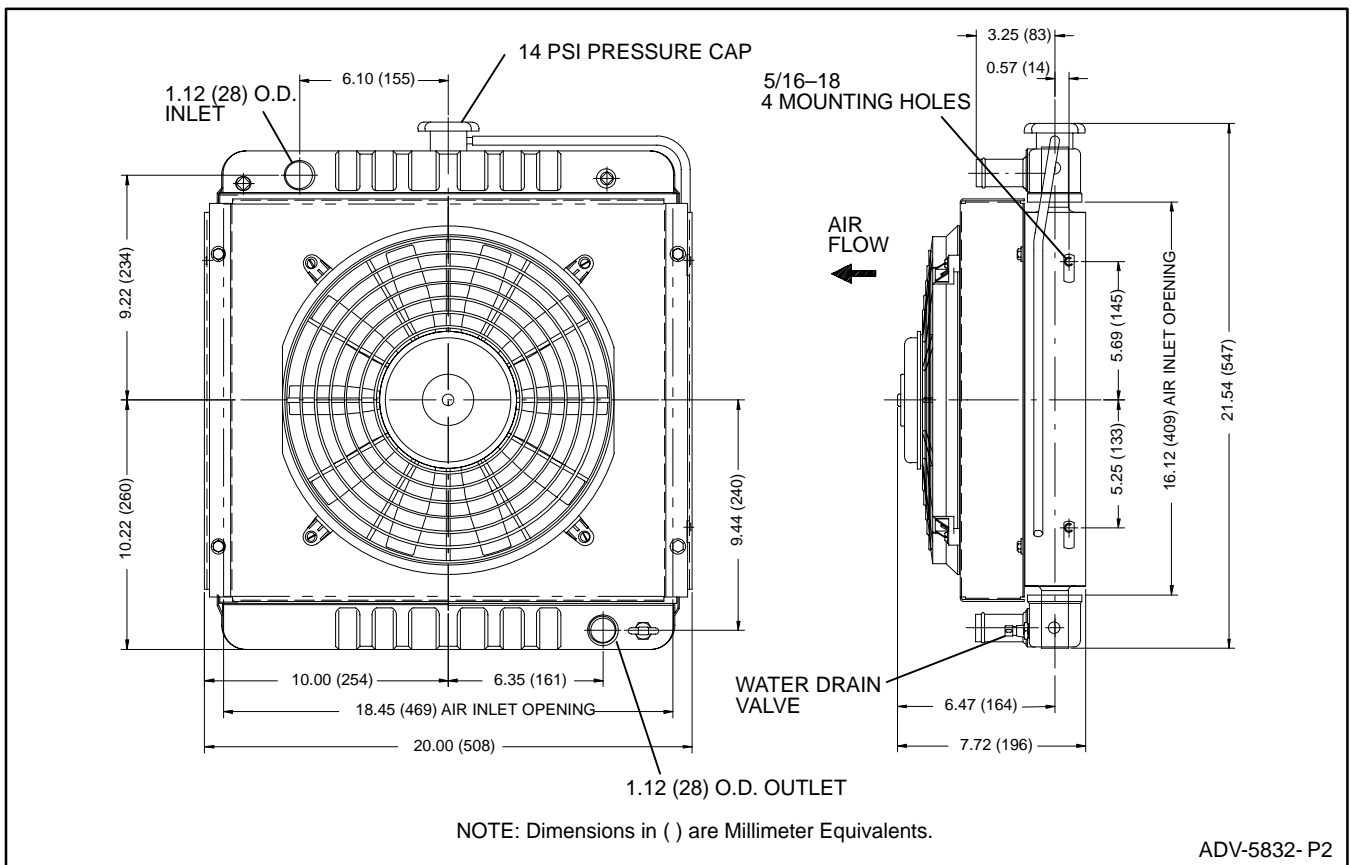
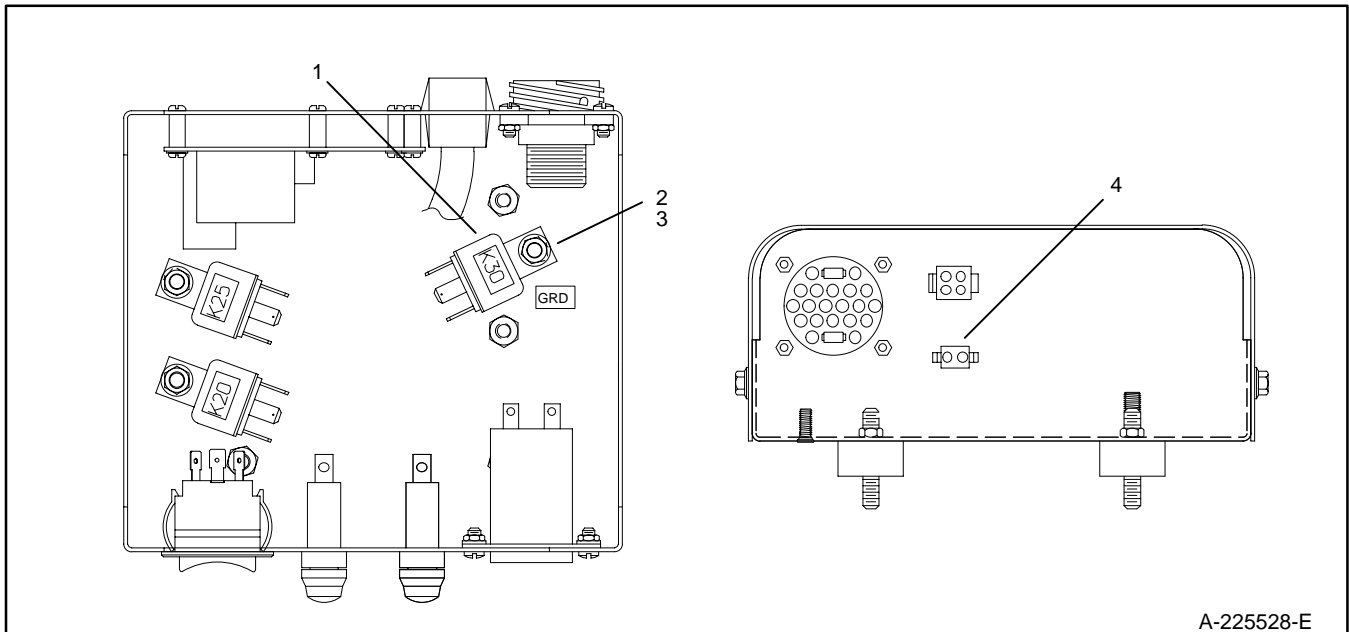


Figure 2. 10CCO Remote Radiator Mounting Dimensions



1. Relay (259391)
2. Screw (X-50-1)

3. Whiz Nut (X-6210-1)
4. Wiring Harness (225683)

Figure 3. Controller Assembly

8. Secure all leads with cable ties (not supplied). Replace controller cover.
9. Connect wiring harness (225684) to connector (P11) at rear of the controller. Route leads to remote radiator fan motor. Strip approximately 0.375-in. (10-mm) of insulation from lead ends. Connect harness to fan leads with insulink terminals (X-367-3). Secure leads with cable ties (not supplied).
10. Fill cooling system to the proper level with fresh coolant. Refer to Generator Operation Manual for coolant specifications.

NOTE

Cooling system capacity will increase as the distance between the radiator and generator set is increased.

11. Check that controller START/STOP switch is in the STOP position. Reconnect battery cables, negative lead last.
12. Test run generator for a few minutes to check for leaks. Shut off generator set and allow to cool. Check coolant level to insure that all air is purged from the system. Add coolant as necessary to fill system.

NOTE

ENGINE DAMAGE! Failure to bleed air from cooling system may cause overheating and subsequent damage to engine.

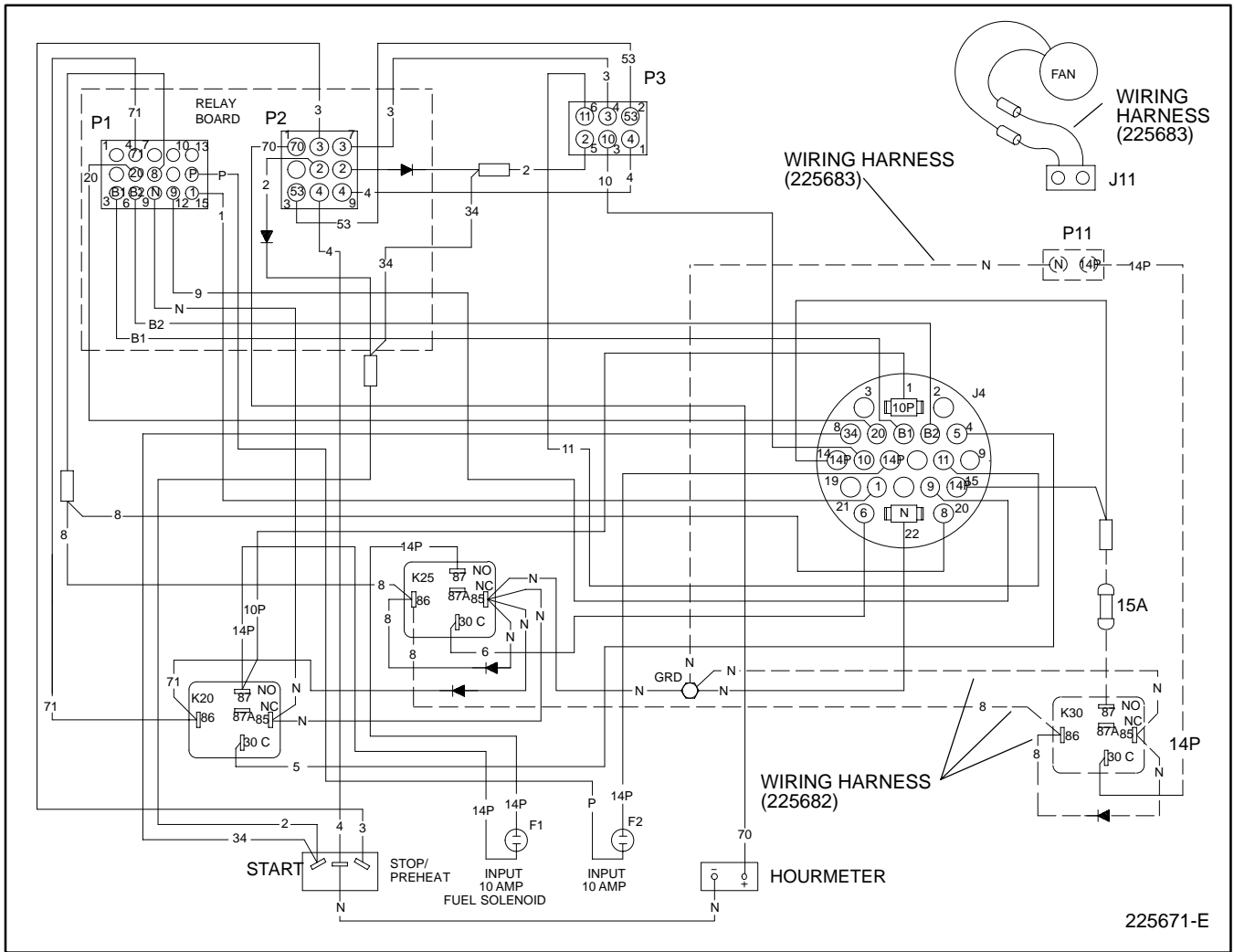


Figure 4. Wiring Diagram

Parts List

PA-225299 & PA-225300		
Qty.	Description	Part Number
1	Radiator Assembly (PA-225299)	A-225668
1	Radiator Assembly (PA-225300)	A-225664
2	Insulink Terminal, insulated	X-367-3
1	Terminal	X-431-25
1	Screw, 10-32 x 0.500 in. R.H.M.	X-50-1
1	Nut, 10-32	X-6210-1
1	Harness, wiring	225682
1	Harness, wiring	225683
1	Harness, wiring	225684
1	Relay	259391
1	Holder, in-line fuse	269216
1	Fuse, 15 amp.	283645